

Table of Contents

Sheet 1	Pages 2-140	ATM Ant Patterns
Sheet 2	Pages 141-260	BTM Ant Patterns
Sheet 3	Pages 261-401	Stage 3 ATM Ant Patterns
Sheet 4	Pages 402-1075	Payload OTM Ant Patterns

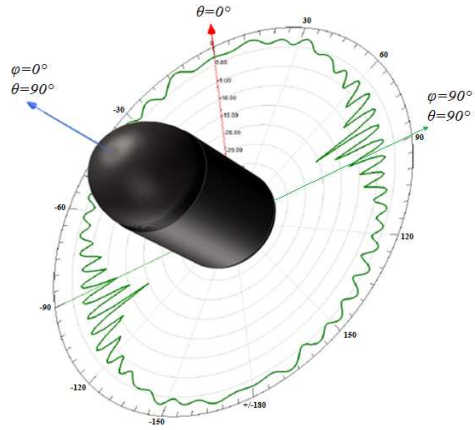
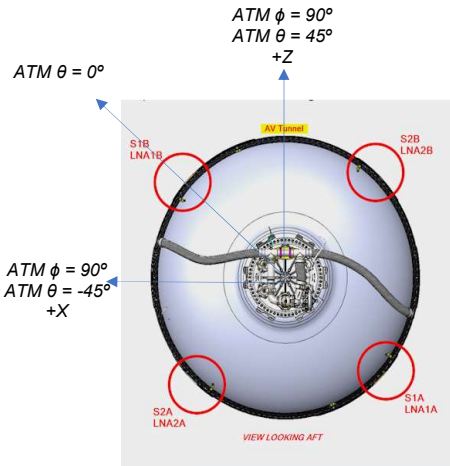
Phi[deg]	Theta[deg]	dB(GainTotal)
-180	0	0.9
-178	0	0.9
-176	0	0.9
-174	0	0.9
-172	0	0.9
-170	0	0.9
-168	0	0.9
-166	0	0.9
-164	0	0.9
-162	0	0.9
-160	0	0.9
-158	0	0.9
-156	0	0.9
-154	0	0.9
-152	0	0.9
-150	0	0.9
-148	0	0.9
-146	0	0.9
-144	0	0.9
-142	0	0.9
-140	0	0.9
-138	0	0.9
-136	0	0.9
-134	0	0.9
-132	0	0.9
-130	0	0.9
-128	0	0.9
-126	0	0.9
-124	0	0.9
-122	0	0.9
-120	0	0.9
-118	0	0.9
-116	0	0.9
-114	0	0.9
-112	0	0.9
-110	0	0.9
-108	0	0.9
-106	0	0.9
-104	0	0.9
-102	0	0.9
-100	0	0.9
-98	0	0.9
-96	0	0.9
-94	0	0.9
-92	0	0.9
-90	0	0.9
-88	0	0.9
-86	0	0.9
-84	0	0.9
-82	0	0.9
-80	0	0.9
-78	0	0.9
-76	0	0.9
-74	0	0.9
-72	0	0.9
-70	0	0.9
-68	0	0.9
-66	0	0.9
-64	0	0.9
-62	0	0.9
-60	0	0.9
-58	0	0.9
-56	0	0.9
-54	0	0.9
-52	0	0.9
-50	0	0.9
-48	0	0.9
-46	0	0.9
-44	0	0.9
-42	0	0.9
-40	0	0.9
-38	0	0.9
-36	0	0.9
-34	0	0.9
-32	0	0.9
-30	0	0.9
-28	0	0.9
-26	0	0.9
-24	0	0.9
-22	0	0.9
-20	0	0.9
-18	0	0.9
-16	0	0.9
-14	0	0.9
-12	0	0.9
-10	0	0.9
-8	0	0.9
-6	0	0.9
-4	0	0.9
-2	0	0.9
0	0	0.9
2	0	0.9
4	0	0.9
6	0	0.9
8	0	0.9
10	0	0.9
12	0	0.9
14	0	0.9
16	0	0.9
18	0	0.9
20	0	0.9
22	0	0.9
24	0	0.9
26	0	0.9
28	0	0.9
30	0	0.9
32	0	0.9
34	0	0.9
36	0	0.9
38	0	0.9
40	0	0.9
42	0	0.9
44	0	0.9
46	0	0.9
48	0	0.9
50	0	0.9
52	0	0.9
54	0	0.9

ATM ANTENNA NOTES:

PHI AND THETA ARE ANGLES WITHIN THE ATM OR BTM ANTENNA REFERENCE FRAME. THE BTM PATTERN IS IDENTICAL TO THE ATM PATTERN, EXCEPT ROTATED BY 90 DEGREES WITH RESPECT TO THE VEHICLE.
 ANTENNA PATTERN DIAGRAM SHOWN BELOW IS AN INDICATIVE EXAMPLE ONLY AND DOES NOT NECESSARILY CORRESPOND TO DATA. VALID VALUES IN NUMERICAL DATA ON THE LEFT.
 X, Y AND Z ARE DIRECTIONS IN CARTESIAN FRAMES
 ANTENNA CARTESIAN FRAME DEFINED W.R.T. VEHICLE BODY FRAME BY DCM.
 VEHICLE BODY FRAME Y AXIS IS ORIENTATED ALONG VEHICLE MAIN AXIS (CYLINDER AXIS).
 VEHICLE BODY FRAME X AND Z AXES COLINEAR TO VEHICLE CYLINDER BASE PLANE. WITH X AT VEHICLE DATUM.
 +Y VEHICLE DIRECTION CORRESPONDS TO ATM ANTENNA ANGLES PHI = 0°, THETA = 90°, AND FACES FORWARDS OUT OF THE NOSE CONE.
 +Z VEHICLE DIRECTION CORRESPONDS TO ATM ANTENNA ANGLE PHI = 90°, THETA = 45°
 +X VEHICLE DIRECTION CORRESPONDS TO ATM ANTENNA ANGLES PHI = 90°, THETA = -45°
 RED CIRCLES REPRESENT ANTENNA PAIR MOUNTINGS. S1A AND S1B ARE A PHASED PAIR THAT EMIT THE ATM CARRIER. S2A AND S2B ARE A PHASED PAIR THAT EMIT THE BTM CARRIER
 ALL ANTENNAS ON STAGE 2 ARE 45° LINEAR POLARISATION. THEREFORE, WHEN ASSESSING THE LHCP/RHCP-RECEIVED GROUND STATION SIGNAL, AN ASSUMED 3dB LOSS SHOULD BE APPLIED
 Angle BODY to ANT -45 deg
 -0.7854 rad

THE COORDINATES OF THE ANTENNA FRAME VECTORS IN THE BODY FRAME ARE THE FOLLOWING

	X_BODY	Y_BODY	Z_BODY
X_ANT	-0.70711	0	0.707107
Y_ANT	0.707107	0	0.707107
Z_ANT	0	1	0



56	0	0.9
58	0	0.9
60	0	0.9
62	0	0.9
64	0	0.9
66	0	0.9
68	0	0.9
70	0	0.9
72	0	0.9
74	0	0.9
76	0	0.9
78	0	0.9
80	0	0.9
82	0	0.9
84	0	0.9
86	0	0.9
88	0	0.9
90	0	0.9
92	0	0.9
94	0	0.9
96	0	0.9
98	0	0.9
100	0	0.9
102	0	0.9
104	0	0.9
106	0	0.9
108	0	0.9
110	0	0.9
112	0	0.9
114	0	0.9
116	0	0.9
118	0	0.9
120	0	0.9
122	0	0.9
124	0	0.9
126	0	0.9
128	0	0.9
130	0	0.9
132	0	0.9
134	0	0.9
136	0	0.9
138	0	0.9
140	0	0.9
142	0	0.9
144	0	0.9
146	0	0.9
148	0	0.9
150	0	0.9
152	0	0.9
154	0	0.9
156	0	0.9
158	0	0.9
160	0	0.9
162	0	0.9
164	0	0.9
166	0	0.9
168	0	0.9
170	0	0.9
172	0	0.9
174	0	0.9
176	0	0.9
178	0	0.9
180	0	0.9
-180	2	0.9
-178	2	0.9
-176	2	0.9
-174	2	0.8
-172	2	0.8
-170	2	0.8
-168	2	0.7
-166	2	0.6
-164	2	0.6
-162	2	0.5
-160	2	0.4
-158	2	0.3
-156	2	0.2
-154	2	0.1
-152	2	0
-150	2	-0.1
-148	2	-0.3
-146	2	-0.4
-144	2	-0.5
-142	2	-0.7
-140	2	-0.8
-138	2	-1
-136	2	-1.1
-134	2	-1.3
-132	2	-1.4
-130	2	-1.6
-128	2	-1.8
-126	2	-1.9
-124	2	-2.1
-122	2	-2.2
-120	2	-2.4
-118	2	-2.5
-116	2	-2.7
-114	2	-2.8
-112	2	-2.9
-110	2	-3
-108	2	-3.1
-106	2	-3.2
-104	2	-3.3
-102	2	-3.4
-100	2	-3.5
-98	2	-3.5
-96	2	-3.6
-94	2	-3.6
-92	2	-3.6
-90	2	-3.6
-88	2	-3.6
-86	2	-3.6
-84	2	-3.5
-82	2	-3.5
-80	2	-3.4
-78	2	-3.4
-76	2	-3.3
-74	2	-3.2
-72	2	-3.1
-70	2	-3

-68	2	-2.8
-66	2	-2.7
-64	2	-2.6
-62	2	-2.4
-60	2	-2.3
-58	2	-2.1
-56	2	-2
-54	2	-1.8
-52	2	-1.6
-50	2	-1.5
-48	2	-1.3
-46	2	-1.2
-44	2	-1
-42	2	-0.9
-40	2	-0.7
-38	2	-0.6
-36	2	-0.4
-34	2	-0.3
-32	2	-0.2
-30	2	0
-28	2	0.1
-26	2	0.2
-24	2	0.3
-22	2	0.4
-20	2	0.5
-18	2	0.6
-16	2	0.7
-14	2	0.7
-12	2	0.8
-10	2	0.8
-8	2	0.9
-6	2	0.9
-4	2	0.9
-2	2	1
0	2	1
2	2	1
4	2	0.9
6	2	0.9
8	2	0.9
10	2	0.8
12	2	0.8
14	2	0.7
16	2	0.7
18	2	0.6
20	2	0.5
22	2	0.4
24	2	0.3
26	2	0.2
28	2	0.1
30	2	0
32	2	-0.1
34	2	-0.3
36	2	-0.4
38	2	-0.5
40	2	-0.7
42	2	-0.8
44	2	-1
46	2	-1.1
48	2	-1.3
50	2	-1.4
52	2	-1.6
54	2	-1.7
56	2	-1.9
58	2	-2
60	2	-2.2
62	2	-2.3
64	2	-2.5
66	2	-2.6
68	2	-2.7
70	2	-2.8
72	2	-2.9
74	2	-3
76	2	-3.1
78	2	-3.2
80	2	-3.3
82	2	-3.3
84	2	-3.4
86	2	-3.4
88	2	-3.4
90	2	-3.4
92	2	-3.4
94	2	-3.4
96	2	-3.4
98	2	-3.3
100	2	-3.3
102	2	-3.2
104	2	-3.1
106	2	-3
108	2	-2.9
110	2	-2.8
112	2	-2.7
114	2	-2.6
116	2	-2.5
118	2	-2.3
120	2	-2.2
122	2	-2
124	2	-1.9
126	2	-1.7
128	2	-1.6
130	2	-1.4
132	2	-1.3
134	2	-1.1
136	2	-1
138	2	-0.8
140	2	-0.7
142	2	-0.5
144	2	-0.4
146	2	-0.3
148	2	-0.1
150	2	0
152	2	0.1
154	2	0.2
156	2	0.3
158	2	0.4
160	2	0.5
162	2	0.6
164	2	0.6
166	2	0.7
168	2	0.8

170	2	0.8
172	2	0.8
174	2	0.9
176	2	0.9
178	2	0.9
180	2	0.9
-180	4	1
-178	4	0.9
-176	4	0.9
-174	4	0.8
-172	4	0.6
-170	4	0.5
-168	4	0.2
-166	4	0
-164	4	-0.3
-162	4	-0.6
-160	4	-1
-158	4	-1.4
-156	4	-1.9
-154	4	-2.4
-152	4	-3
-150	4	-3.6
-148	4	-4.3
-146	4	-5.1
-144	4	-5.9
-142	4	-6.8
-140	4	-7.9
-138	4	-9
-136	4	-10.3
-134	4	-11.7
-132	4	-13.3
-130	4	-15.1
-128	4	-17.1
-126	4	-18.9
-124	4	-20.1
-122	4	-20
-120	4	-18.8
-118	4	-17.3
-116	4	-15.9
-114	4	-14.6
-112	4	-13.6
-110	4	-12.7
-108	4	-11.9
-106	4	-11.3
-104	4	-10.8
-102	4	-10.4
-100	4	-10
-98	4	-9.7
-96	4	-9.5
-94	4	-9.4
-92	4	-9.3
-90	4	-9.3
-88	4	-9.3
-86	4	-9.4
-84	4	-9.6
-82	4	-9.8
-80	4	-10.1
-78	4	-10.5
-76	4	-10.9
-74	4	-11.5
-72	4	-12.1
-70	4	-12.9
-68	4	-13.7
-66	4	-14.7
-64	4	-15.8
-62	4	-17
-60	4	-17.9
-58	4	-18.3
-56	4	-17.8
-54	4	-16.6
-52	4	-15.1
-50	4	-13.5
-48	4	-12
-46	4	-10.6
-44	4	-9.3
-42	4	-8.2
-40	4	-7.2
-38	4	-6.2
-36	4	-5.4
-34	4	-4.6
-32	4	-3.9
-30	4	-3.2
-28	4	-2.6
-26	4	-2.1
-24	4	-1.6
-22	4	-1.1
-20	4	-0.7
-18	4	-0.4
-16	4	-0.1
-14	4	0.2
-12	4	0.4
-10	4	0.6
-8	4	0.8
-6	4	0.9
-4	4	1
-2	4	1.1
0	4	1.1
2	4	1
4	4	1
6	4	0.9
8	4	0.8
10	4	0.6
12	4	0.4
14	4	0.1
16	4	-0.1
18	4	-0.5
20	4	-0.8
22	4	-1.3
24	4	-1.7
26	4	-2.2
28	4	-2.8
30	4	-3.4
32	4	-4
34	4	-4.8
36	4	-5.6
38	4	-6.5
40	4	-7.5
42	4	-8.5
44	4	-9.7

46	4	-11.1
48	4	-12.6
50	4	-14.2
52	4	-16
54	4	-17.7
56	4	-19.1
58	4	-19.5
60	4	-18.8
62	4	-17.6
64	4	-16.3
66	4	-15.1
68	4	-14
70	4	-13.1
72	4	-12.3
74	4	-11.7
76	4	-11.1
78	4	-10.7
80	4	-10.3
82	4	-10
84	4	-9.8
86	4	-9.7
88	4	-9.6
90	4	-9.6
92	4	-9.6
94	4	-9.7
96	4	-9.9
98	4	-10.1
100	4	-10.4
102	4	-10.7
104	4	-11.2
106	4	-11.7
108	4	-12.4
110	4	-13.1
112	4	-14
114	4	-15.1
116	4	-16.2
118	4	-17.4
120	4	-18.4
122	4	-18.7
124	4	-18.2
126	4	-16.9
128	4	-15.3
130	4	-13.7
132	4	-12.1
134	4	-10.7
136	4	-9.4
138	4	-8.3
140	4	-7.3
142	4	-6.3
144	4	-5.4
146	4	-4.7
148	4	-3.9
150	4	-3.3
152	4	-2.7
154	4	-2.2
156	4	-1.7
158	4	-1.2
160	4	-0.8
162	4	-0.5
164	4	-0.2
166	4	0.1
168	4	0.4
170	4	0.5
172	4	0.7
174	4	0.8
176	4	0.9
178	4	1
180	4	1
-180	6	1.1
-178	6	1
-176	6	0.9
-174	6	0.7
-172	6	0.3
-170	6	-0.1
-168	6	-0.6
-166	6	-1.2
-164	6	-1.9
-162	6	-2.8
-160	6	-3.8
-158	6	-5
-156	6	-6.5
-154	6	-8.3
-152	6	-10.6
-150	6	-13.6
-148	6	-17.4
-146	6	-20.1
-144	6	-17.5
-142	6	-13.9
-140	6	-11.1
-138	6	-9
-136	6	-7.4
-134	6	-6.1
-132	6	-5
-130	6	-4.1
-128	6	-3.4
-126	6	-2.7
-124	6	-2.2
-122	6	-1.7
-120	6	-1.3
-118	6	-1
-116	6	-0.7
-114	6	-0.4
-112	6	-0.2
-110	6	-0.1
-108	6	0.1
-106	6	0.2
-104	6	0.3
-102	6	0.4
-100	6	0.5
-98	6	0.5
-96	6	0.6
-94	6	0.6
-92	6	0.6
-90	6	0.6
-88	6	0.6
-86	6	0.5
-84	6	0.5
-82	6	0.4
-80	6	0.4

-78	6	0.3
-76	6	0.2
-74	6	0.1
-72	6	-0.1
-70	6	-0.3
-68	6	-0.5
-66	6	-0.7
-64	6	-1
-62	6	-1.3
-60	6	-1.6
-58	6	-2.1
-56	6	-2.5
-54	6	-3.1
-52	6	-3.8
-50	6	-4.6
-48	6	-5.5
-46	6	-6.6
-44	6	-8
-42	6	-9.6
-40	6	-11.6
-38	6	-14
-36	6	-16.1
-34	6	-16.1
-32	6	-13.9
-30	6	-11.3
-28	6	-9
-26	6	-7.2
-24	6	-5.6
-22	6	-4.3
-20	6	-3.2
-18	6	-2.3
-16	6	-1.5
-14	6	-0.8
-12	6	-0.3
-10	6	0.2
-8	6	0.6
-6	6	0.8
-4	6	1
-2	6	1.1
0	6	1.2
2	6	1.1
4	6	1
6	6	0.7
8	6	0.4
10	6	0
12	6	-0.5
14	6	-1.1
16	6	-1.8
18	6	-2.6
20	6	-3.6
22	6	-4.8
24	6	-6.3
26	6	-8
28	6	-10.2
30	6	-13
32	6	-16.5
34	6	-19
36	6	-17.2
38	6	-13.9
40	6	-11.2
42	6	-9.2
44	6	-7.5
46	6	-6.2
48	6	-5.1
50	6	-4.2
52	6	-3.4
54	6	-2.8
56	6	-2.2
58	6	-1.8
60	6	-1.4
62	6	-1
64	6	-0.7
66	6	-0.5
68	6	-0.2
70	6	-0.1
72	6	0.1
74	6	0.2
76	6	0.3
78	6	0.4
80	6	0.5
82	6	0.6
84	6	0.6
86	6	0.6
88	6	0.6
90	6	0.6
92	6	0.6
94	6	0.6
96	6	0.6
98	6	0.5
100	6	0.4
102	6	0.4
104	6	0.3
106	6	0.1
108	6	0
110	6	-0.2
112	6	-0.4
114	6	-0.6
116	6	-0.8
118	6	-1.1
120	6	-1.5
122	6	-1.9
124	6	-2.4
126	6	-2.9
128	6	-3.6
130	6	-4.4
132	6	-5.3
134	6	-6.4
136	6	-7.7
138	6	-9.3
140	6	-11.3
142	6	-13.8
144	6	-16.2
146	6	-16.8
148	6	-14.6
150	6	-11.8
152	6	-9.4
154	6	-7.5
156	6	-5.9
158	6	-4.5

160	6	-3.4
162	6	-2.4
164	6	-1.6
166	6	-0.9
168	6	-0.4
170	6	0.1
172	6	0.5
174	6	0.7
176	6	0.9
178	6	1
180	6	1.1
-180	8	1.2
-178	8	1.1
-176	8	0.9
-174	8	0.5
-172	8	-0.1
-170	8	-0.9
-168	8	-1.8
-166	8	-3.1
-164	8	-4.7
-162	8	-6.7
-160	8	-9.5
-158	8	-13.4
-156	8	-18.4
-154	8	-17.2
-152	8	-12.4
-150	8	-9
-148	8	-6.6
-146	8	-4.8
-144	8	-3.4
-142	8	-2.3
-140	8	-1.4
-138	8	-0.7
-136	8	-0.2
-134	8	0.3
-132	8	0.7
-130	8	0.9
-128	8	1.1
-126	8	1.3
-124	8	1.4
-122	8	1.4
-120	8	1.4
-118	8	1.4
-116	8	1.4
-114	8	1.3
-112	8	1.3
-110	8	1.2
-108	8	1.1
-106	8	1
-104	8	0.9
-102	8	0.8
-100	8	0.7
-98	8	0.6
-96	8	0.6
-94	8	0.5
-92	8	0.5
-90	8	0.4
-88	8	0.4
-86	8	0.4
-84	8	0.5
-82	8	0.5
-80	8	0.5
-78	8	0.6
-76	8	0.6
-74	8	0.7
-72	8	0.8
-70	8	0.9
-68	8	0.9
-66	8	1
-64	8	1
-62	8	1.1
-60	8	1.1
-58	8	1
-56	8	1
-54	8	0.9
-52	8	0.7
-50	8	0.5
-48	8	0.2
-46	8	-0.2
-44	8	-0.6
-42	8	-1.2
-40	8	-2
-38	8	-2.9
-36	8	-4
-34	8	-5.5
-32	8	-7.3
-30	8	-9.7
-28	8	-12.7
-26	8	-15.1
-24	8	-13.7
-22	8	-10.5
-20	8	-7.7
-18	8	-5.5
-16	8	-3.8
-14	8	-2.4
-12	8	-1.3
-10	8	-0.5
-8	8	0.2
-6	8	0.7
-4	8	1
-2	8	1.2
0	8	1.2
2	8	1.1
4	8	0.9
6	8	0.5
8	8	-0.1
10	8	-0.9
12	8	-1.8
14	8	-3.1
16	8	-4.7
18	8	-6.7
20	8	-9.4
22	8	-13.2
24	8	-17.7
26	8	-16.7
28	8	-12.2
30	8	-8.9
32	8	-6.6
34	8	-4.8

36	8	-3.4
38	8	-2.3
40	8	-1.4
42	8	-0.7
44	8	-0.1
46	8	0.3
48	8	0.7
50	8	1
52	8	1.2
54	8	1.3
56	8	1.4
58	8	1.5
60	8	1.5
62	8	1.5
64	8	1.4
66	8	1.4
68	8	1.3
70	8	1.2
72	8	1.1
74	8	1
76	8	1
78	8	0.9
80	8	0.8
82	8	0.7
84	8	0.6
86	8	0.6
88	8	0.5
90	8	0.5
92	8	0.5
94	8	0.5
96	8	0.5
98	8	0.6
100	8	0.6
102	8	0.7
104	8	0.7
106	8	0.8
108	8	0.9
110	8	1
112	8	1.1
114	8	1.1
116	8	1.2
118	8	1.2
120	8	1.2
122	8	1.2
124	8	1.2
126	8	1.1
128	8	0.9
130	8	0.7
132	8	0.4
134	8	0.1
136	8	-0.4
138	8	-1
140	8	-1.7
142	8	-2.6
144	8	-3.7
146	8	-5.2
148	8	-7
150	8	-9.4
152	8	-12.4
154	8	-15.2
156	8	-14.2
158	8	-10.9
160	8	-7.9
162	8	-5.7
164	8	-3.9
166	8	-2.5
168	8	-1.4
170	8	-0.5
172	8	0.2
174	8	0.6
176	8	1
178	8	1.2
180	8	1.2
-180	10	1.4
-178	10	1.2
-176	10	0.8
-174	10	0.1
-172	10	-0.8
-170	10	-2.1
-168	10	-3.9
-166	10	-6.3
-164	10	-9.8
-162	10	-15.1
-160	10	-17.3
-158	10	-11.8
-156	10	-7.8
-154	10	-5.1
-152	10	-3.1
-150	10	-1.7
-148	10	-0.7
-146	10	0.1
-144	10	0.7
-142	10	1.1
-140	10	1.4
-138	10	1.5
-136	10	1.6
-134	10	1.5
-132	10	1.4
-130	10	1.1
-128	10	0.8
-126	10	0.5
-124	10	0.1
-122	10	-0.3
-120	10	-0.8
-118	10	-1.3
-116	10	-1.8
-114	10	-2.3
-112	10	-2.8
-110	10	-3.2
-108	10	-3.7
-106	10	-4
-104	10	-4.4
-102	10	-4.7
-100	10	-4.9
-98	10	-5.1
-96	10	-5.2
-94	10	-5.3
-92	10	-5.4
-90	10	-5.4

-88	10	-5.4
-86	10	-5.3
-84	10	-5.2
-82	10	-5.1
-80	10	-5
-78	10	-4.8
-76	10	-4.6
-74	10	-4.4
-72	10	-4.1
-70	10	-3.7
-68	10	-3.3
-66	10	-2.9
-64	10	-2.5
-62	10	-2
-60	10	-1.5
-58	10	-1.1
-56	10	-0.6
-54	10	-0.2
-52	10	0.2
-50	10	0.5
-48	10	0.7
-46	10	0.9
-44	10	1
-42	10	0.9
-40	10	0.8
-38	10	0.5
-36	10	0.1
-34	10	-0.5
-32	10	-1.4
-30	10	-2.6
-28	10	-4.1
-26	10	-6.2
-24	10	-9
-22	10	-12.6
-20	10	-14
-18	10	-10.8
-16	10	-7.3
-14	10	-4.7
-12	10	-2.8
-10	10	-1.3
-8	10	-0.3
-6	10	0.5
-4	10	1
-2	10	1.3
0	10	1.3
2	10	1.1
4	10	0.7
6	10	0.1
8	10	-0.9
10	10	-2.2
12	10	-4
14	10	-6.4
16	10	-9.9
18	10	-14.9
20	10	-16.6
22	10	-11.5
24	10	-7.6
26	10	-5
28	10	-3.1
30	10	-1.7
32	10	-0.6
34	10	0.1
36	10	0.7
38	10	1.1
40	10	1.4
42	10	1.5
44	10	1.6
46	10	1.5
48	10	1.4
50	10	1.2
52	10	0.9
54	10	0.5
56	10	0.1
58	10	-0.3
60	10	-0.8
62	10	-1.3
64	10	-1.8
66	10	-2.3
68	10	-2.8
70	10	-3.3
72	10	-3.7
74	10	-4.2
76	10	-4.6
78	10	-4.9
80	10	-5.2
82	10	-5.4
84	10	-5.6
86	10	-5.7
88	10	-5.8
90	10	-5.8
92	10	-5.8
94	10	-5.8
96	10	-5.7
98	10	-5.6
100	10	-5.4
102	10	-5.2
104	10	-5
106	10	-4.7
108	10	-4.3
110	10	-3.9
112	10	-3.5
114	10	-3
116	10	-2.5
118	10	-2
120	10	-1.5
122	10	-1
124	10	-0.5
126	10	-0.1
128	10	0.3
130	10	0.6
132	10	0.9
134	10	1.1
136	10	1.1
138	10	1.1
140	10	1
142	10	0.7
144	10	0.3
146	10	-0.4
148	10	-1.2

150	10	-2.4
152	10	-3.9
154	10	-6
156	10	-8.9
158	10	-12.5
160	10	-14.2
162	10	-10.9
164	10	-7.3
166	10	-4.7
168	10	-2.8
170	10	-1.3
172	10	-0.2
174	10	0.6
176	10	1.1
178	10	1.3
180	10	1.4
-180	12	1.6
-178	12	1.3
-176	12	0.7
-174	12	-0.3
-172	12	-1.8
-170	12	-3.9
-168	12	-7
-166	12	-11.9
-164	12	-16.6
-162	12	-11.3
-160	12	-6.8
-158	12	-3.9
-156	12	-1.9
-154	12	-0.5
-152	12	0.5
-150	12	1.2
-148	12	1.6
-146	12	1.7
-144	12	1.7
-142	12	1.6
-140	12	1.2
-138	12	0.7
-136	12	0.1
-134	12	-0.7
-132	12	-1.5
-130	12	-2.5
-128	12	-3.5
-126	12	-4.5
-124	12	-5.4
-122	12	-6.1
-120	12	-6.4
-118	12	-6.4
-116	12	-6.2
-114	12	-5.7
-112	12	-5.2
-110	12	-4.7
-108	12	-4.2
-106	12	-3.8
-104	12	-3.4
-102	12	-3
-100	12	-2.8
-98	12	-2.5
-96	12	-2.3
-94	12	-2.2
-92	12	-2.1
-90	12	-2
-88	12	-2
-86	12	-2
-84	12	-2
-82	12	-2.1
-80	12	-2.2
-78	12	-2.4
-76	12	-2.5
-74	12	-2.8
-72	12	-3.1
-70	12	-3.4
-68	12	-3.8
-66	12	-4.3
-64	12	-4.7
-62	12	-5.2
-60	12	-5.6
-58	12	-5.8
-56	12	-5.7
-54	12	-5.2
-52	12	-4.5
-50	12	-3.6
-48	12	-2.6
-46	12	-1.7
-44	12	-0.9
-42	12	-0.2
-40	12	0.4
-38	12	0.8
-36	12	1
-34	12	1
-32	12	0.8
-30	12	0.3
-28	12	-0.5
-26	12	-1.6
-24	12	-3.3
-22	12	-5.7
-20	12	-9.1
-18	12	-13.1
-16	12	-12.1
-14	12	-7.8
-12	12	-4.6
-10	12	-2.3
-8	12	-0.7
-6	12	0.4
-4	12	1.1
-2	12	1.5
0	12	1.5
2	12	1.2
4	12	0.6
6	12	-0.4
8	12	-1.9
10	12	-4
12	12	-7.1
14	12	-11.8
16	12	-15.9
18	12	-11
20	12	-6.7
22	12	-3.8
24	12	-1.9

26	12	-0.5
28	12	0.5
30	12	1.1
32	12	1.5
34	12	1.7
36	12	1.7
38	12	1.5
40	12	1.2
42	12	0.7
44	12	0
46	12	-0.7
48	12	-1.6
50	12	-2.5
52	12	-3.5
54	12	-4.5
56	12	-5.4
58	12	-6.1
60	12	-6.5
62	12	-6.6
64	12	-6.3
66	12	-5.9
68	12	-5.4
70	12	-4.9
72	12	-4.4
74	12	-3.9
76	12	-3.5
78	12	-3.2
80	12	-2.9
82	12	-2.6
84	12	-2.4
86	12	-2.2
88	12	-2.1
90	12	-2
92	12	-2
94	12	-2
96	12	-2
98	12	-2.1
100	12	-2.2
102	12	-2.3
104	12	-2.5
106	12	-2.8
108	12	-3.1
110	12	-3.5
112	12	-4
114	12	-4.5
116	12	-5
118	12	-5.6
120	12	-6
122	12	-6.2
124	12	-6
126	12	-5.4
128	12	-4.6
130	12	-3.6
132	12	-2.6
134	12	-1.6
136	12	-0.8
138	12	0
140	12	0.5
142	12	0.9
144	12	1.1
146	12	1.1
148	12	0.9
150	12	0.4
152	12	-0.4
154	12	-1.6
156	12	-3.2
158	12	-5.6
160	12	-9.1
162	12	-13.3
164	12	-12.3
166	12	-7.9
168	12	-4.6
170	12	-2.3
172	12	-0.7
174	12	0.4
176	12	1.2
178	12	1.5
180	12	1.6
-180	14	1.7
-178	14	1.3
-176	14	0.4
-174	14	-1
-172	14	-3.2
-170	14	-6.5
-168	14	-12
-166	14	-14.5
-164	14	-8.5
-162	14	-4.5
-160	14	-1.9
-158	14	-0.3
-156	14	0.9
-154	14	1.5
-152	14	1.9
-150	14	1.9
-148	14	1.6
-146	14	1.1
-144	14	0.4
-142	14	-0.6
-140	14	-1.8
-138	14	-3.3
-136	14	-4.7
-134	14	-6
-132	14	-6.6
-130	14	-6.3
-128	14	-5.5
-126	14	-4.5
-124	14	-3.4
-122	14	-2.6
-120	14	-1.9
-118	14	-1.3
-116	14	-0.8
-114	14	-0.4
-112	14	-0.2
-110	14	0.1
-108	14	0.2
-106	14	0.3
-104	14	0.4
-102	14	0.4
-100	14	0.4

-98	14	0.4
-96	14	0.4
-94	14	0.4
-92	14	0.4
-90	14	0.4
-88	14	0.4
-86	14	0.3
-84	14	0.3
-82	14	0.3
-80	14	0.3
-78	14	0.3
-76	14	0.4
-74	14	0.4
-72	14	0.4
-70	14	0.3
-68	14	0.3
-66	14	0.2
-64	14	0
-62	14	-0.3
-60	14	-0.7
-58	14	-1.2
-56	14	-1.9
-54	14	-2.7
-52	14	-3.8
-50	14	-4.9
-48	14	-5.9
-46	14	-6.3
-44	14	-5.7
-42	14	-4.4
-40	14	-2.9
-38	14	-1.6
-36	14	-0.5
-34	14	0.3
-32	14	0.8
-30	14	1
-28	14	0.9
-26	14	0.4
-24	14	-0.5
-22	14	-2
-20	14	-4.3
-18	14	-7.8
-16	14	-12.6
-14	14	-11.9
-12	14	-6.9
-10	14	-3.5
-8	14	-1.2
-6	14	0.3
-4	14	1.2
-2	14	1.7
0	14	1.7
2	14	1.3
4	14	0.5
6	14	-0.9
8	14	-3.1
10	14	-6.4
12	14	-11.6
14	14	-14.1
16	14	-8.5
18	14	-4.5
20	14	-2
22	14	-0.3
24	14	0.8
26	14	1.5
28	14	1.8
30	14	1.8
32	14	1.5
34	14	1
36	14	0.3
38	14	-0.7
40	14	-2
42	14	-3.4
44	14	-4.8
46	14	-6
48	14	-6.5
50	14	-6.2
52	14	-5.3
54	14	-4.3
56	14	-3.3
58	14	-2.5
60	14	-1.8
62	14	-1.3
64	14	-0.8
66	14	-0.5
68	14	-0.2
70	14	0
72	14	0.2
74	14	0.3
76	14	0.3
78	14	0.4
80	14	0.4
82	14	0.5
84	14	0.5
86	14	0.5
88	14	0.5
90	14	0.5
92	14	0.5
94	14	0.5
96	14	0.5
98	14	0.5
100	14	0.5
102	14	0.6
104	14	0.6
106	14	0.6
108	14	0.6
110	14	0.6
112	14	0.5
114	14	0.4
116	14	0.2
118	14	-0.1
120	14	-0.5
122	14	-1.1
124	14	-1.8
126	14	-2.7
128	14	-3.7
130	14	-4.9
132	14	-5.9
134	14	-6.2
136	14	-5.6
138	14	-4.3

140	14	-2.8
142	14	-1.5
144	14	-0.4
146	14	0.4
148	14	0.9
150	14	1.1
152	14	1
154	14	0.5
156	14	-0.5
158	14	-1.9
160	14	-4.2
162	14	-7.7
164	14	-12.8
166	14	-12.4
168	14	-7.2
170	14	-3.6
172	14	-1.3
174	14	0.2
176	14	1.2
178	14	1.7
180	14	1.7
-180	16	1.7
-178	16	1.2
-176	16	0.1
-174	16	-1.8
-172	16	-5
-170	16	-10.1
-168	16	-13.6
-166	16	-7.8
-164	16	-3.7
-162	16	-1.1
-160	16	0.5
-158	16	1.4
-156	16	1.9
-154	16	1.9
-152	16	1.5
-150	16	0.8
-148	16	-0.3
-146	16	-1.8
-144	16	-3.6
-142	16	-5.3
-140	16	-6.4
-138	16	-6
-136	16	-4.7
-134	16	-3.3
-132	16	-2
-130	16	-1.1
-128	16	-0.4
-126	16	0.1
-124	16	0.5
-122	16	0.7
-120	16	0.7
-118	16	0.7
-116	16	0.6
-114	16	0.4
-112	16	0.2
-110	16	0
-108	16	-0.2
-106	16	-0.5
-104	16	-0.7
-102	16	-1
-100	16	-1.2
-98	16	-1.5
-96	16	-1.7
-94	16	-1.8
-92	16	-2
-90	16	-2.1
-88	16	-2.2
-86	16	-2.3
-84	16	-2.3
-82	16	-2.3
-80	16	-2.3
-78	16	-2.2
-76	16	-2.1
-74	16	-1.9
-72	16	-1.6
-70	16	-1.3
-68	16	-0.9
-66	16	-0.5
-64	16	-0.1
-62	16	0.2
-60	16	0.5
-58	16	0.7
-56	16	0.7
-54	16	0.6
-52	16	0.3
-50	16	-0.3
-48	16	-1.1
-46	16	-2.3
-44	16	-3.8
-42	16	-5.4
-40	16	-6.5
-38	16	-6
-36	16	-4.3
-34	16	-2.4
-32	16	-0.9
-30	16	0.2
-28	16	0.8
-26	16	1
-24	16	0.7
-22	16	-0.1
-20	16	-1.5
-18	16	-3.9
-16	16	-7.9
-14	16	-13.4
-12	16	-10.3
-10	16	-5.2
-8	16	-2
-6	16	0
-4	16	1.2
-2	16	1.8
0	16	1.8
2	16	1.3
4	16	0.2
6	16	-1.7
8	16	-4.8
10	16	-9.9
12	16	-13.6
14	16	-8

16	16	-3.8
18	16	-1.2
20	16	0.4
22	16	1.3
24	16	1.8
26	16	1.8
28	16	1.4
30	16	0.7
32	16	-0.4
34	16	-1.9
36	16	-3.7
38	16	-5.4
40	16	-6.4
42	16	-5.9
44	16	-4.5
46	16	-3.1
48	16	-1.9
50	16	-0.9
52	16	-0.2
54	16	0.2
56	16	0.5
58	16	0.7
60	16	0.7
62	16	0.7
64	16	0.6
66	16	0.4
68	16	0.2
70	16	0
72	16	-0.3
74	16	-0.6
76	16	-0.8
78	16	-1.1
80	16	-1.4
82	16	-1.6
84	16	-1.8
86	16	-2
88	16	-2.2
90	16	-2.4
92	16	-2.5
94	16	-2.5
96	16	-2.6
98	16	-2.6
100	16	-2.5
102	16	-2.3
104	16	-2.1
106	16	-1.9
108	16	-1.5
110	16	-1.2
112	16	-0.8
114	16	-0.3
116	16	0
118	16	0.4
120	16	0.7
122	16	0.8
124	16	0.8
126	16	0.7
128	16	0.4
130	16	-0.2
132	16	-1
134	16	-2.2
136	16	-3.7
138	16	-5.3
140	16	-6.3
142	16	-5.8
144	16	-4.2
146	16	-2.4
148	16	-0.9
150	16	0.2
152	16	0.9
154	16	1.1
156	16	0.8
158	16	0.1
160	16	-1.4
162	16	-3.7
164	16	-7.7
166	16	-13.6
168	16	-11
170	16	-5.5
172	16	-2.2
174	16	-0.1
176	16	1.1
178	16	1.7
180	16	1.7
-180	18	1.7
-178	18	1.1
-176	18	-0.4
-174	18	-2.9
-172	18	-7.1
-170	18	-12.8
-168	18	-8.8
-166	18	-3.9
-164	18	-1.1
-162	18	0.7
-160	18	1.6
-158	18	1.9
-156	18	1.7
-154	18	0.9
-152	18	-0.3
-150	18	-2
-148	18	-4.1
-146	18	-5.7
-144	18	-5.6
-142	18	-4.1
-140	18	-2.3
-138	18	-1
-136	18	0
-134	18	0.7
-132	18	1.1
-130	18	1.2
-128	18	1.1
-126	18	0.9
-124	18	0.6
-122	18	0.2
-120	18	-0.2
-118	18	-0.7
-116	18	-1.2
-114	18	-1.6
-112	18	-1.9
-110	18	-2.2

-108	18	-2.3
-106	18	-2.4
-104	18	-2.4
-102	18	-2.4
-100	18	-2.3
-98	18	-2.1
-96	18	-2
-94	18	-1.9
-92	18	-1.8
-90	18	-1.7
-88	18	-1.7
-86	18	-1.7
-84	18	-1.8
-82	18	-1.9
-80	18	-2.1
-78	18	-2.3
-76	18	-2.6
-74	18	-3
-72	18	-3.4
-70	18	-3.8
-68	18	-4.2
-66	18	-4.3
-64	18	-4.2
-62	18	-3.7
-60	18	-2.9
-58	18	-2.1
-56	18	-1.2
-54	18	-0.4
-52	18	0.2
-50	18	0.6
-48	18	0.6
-46	18	0.4
-44	18	-0.1
-42	18	-1.1
-40	18	-2.6
-38	18	-4.4
-36	18	-6.1
-34	18	-6.2
-32	18	-4.3
-30	18	-2.3
-28	18	-0.6
-26	18	0.5
-24	18	0.9
-22	18	0.8
-20	18	0.1
-18	18	-1.5
-16	18	-4.3
-14	18	-9.2
-12	18	-14
-10	18	-7.7
-8	18	-3.1
-6	18	-0.5
-4	18	1
-2	18	1.8
0	18	1.8
2	18	1.1
4	18	-0.3
6	18	-2.9
8	18	-7.2
10	18	-13.2
12	18	-9
14	18	-4
16	18	-1.1
18	18	0.6
20	18	1.5
22	18	1.8
24	18	1.6
26	18	0.8
28	18	-0.4
30	18	-2.2
32	18	-4.3
34	18	-5.9
36	18	-5.8
38	18	-4.2
40	18	-2.4
42	18	-1
44	18	0
46	18	0.7
48	18	1.1
50	18	1.2
52	18	1.2
54	18	0.9
56	18	0.6
58	18	0.2
60	18	-0.2
62	18	-0.7
64	18	-1.1
66	18	-1.5
68	18	-1.8
70	18	-2
72	18	-2.1
74	18	-2.2
76	18	-2.2
78	18	-2.1
80	18	-2
82	18	-1.9
84	18	-1.9
86	18	-1.8
88	18	-1.8
90	18	-1.7
92	18	-1.8
94	18	-1.8
96	18	-1.9
98	18	-2.1
100	18	-2.3
102	18	-2.6
104	18	-2.9
106	18	-3.3
108	18	-3.7
110	18	-4.1
112	18	-4.4
114	18	-4.5
116	18	-4.2
118	18	-3.7
120	18	-2.9
122	18	-2
124	18	-1.1
126	18	-0.3
128	18	0.2

130	18	0.6
132	18	0.7
134	18	0.4
136	18	-0.1
138	18	-1.1
140	18	-2.6
142	18	-4.5
144	18	-6.2
146	18	-6.3
148	18	-4.5
150	18	-2.3
152	18	-0.7
154	18	0.5
156	18	1
158	18	0.9
160	18	0.2
162	18	-1.3
164	18	-4
166	18	-8.8
168	18	-14.7
170	18	-8.3
172	18	-3.5
174	18	-0.7
176	18	0.9
178	18	1.7
180	18	1.7
-180	20	1.7
-178	20	0.9
-176	20	-0.8
-174	20	-4.1
-172	20	-9.8
-170	20	-11.5
-168	20	-5.3
-166	20	-1.7
-164	20	0.4
-162	20	1.5
-160	20	1.7
-158	20	1.4
-156	20	0.3
-154	20	-1.4
-152	20	-3.5
-150	20	-5.3
-148	20	-5.1
-146	20	-3.2
-144	20	-1.4
-142	20	0
-140	20	0.9
-138	20	1.4
-136	20	1.5
-134	20	1.4
-132	20	1
-130	20	0.5
-128	20	0
-126	20	-0.6
-124	20	-1.1
-122	20	-1.4
-120	20	-1.6
-118	20	-1.6
-116	20	-1.4
-114	20	-1.2
-112	20	-0.9
-110	20	-0.6
-108	20	-0.3
-106	20	0
-104	20	0.2
-102	20	0.4
-100	20	0.5
-98	20	0.6
-96	20	0.7
-94	20	0.8
-92	20	0.8
-90	20	0.8
-88	20	0.8
-86	20	0.9
-84	20	0.9
-82	20	0.9
-80	20	0.9
-78	20	0.9
-76	20	0.9
-74	20	0.8
-72	20	0.7
-70	20	0.5
-68	20	0.1
-66	20	-0.3
-64	20	-1
-62	20	-1.7
-60	20	-2.7
-58	20	-3.6
-56	20	-4.1
-54	20	-4.1
-52	20	-3.3
-50	20	-2.2
-48	20	-1.1
-46	20	-0.3
-44	20	0.2
-42	20	0.3
-40	20	-0.1
-38	20	-1
-36	20	-2.5
-34	20	-4.7
-32	20	-6.5
-30	20	-5.9
-28	20	-3.5
-26	20	-1.3
-24	20	0.1
-22	20	0.9
-20	20	0.8
-18	20	0
-16	20	-1.9
-14	20	-5.4
-12	20	-12.2
-10	20	-11.4
-8	20	-4.8
-6	20	-1.2
-4	20	0.8
-2	20	1.7
0	20	1.7
2	20	0.9
4	20	-0.9

6	20	-4.3
8	20	-10.3
10	20	-11.7
12	20	-5.3
14	20	-1.6
16	20	0.4
18	20	1.4
20	20	1.7
22	20	1.3
24	20	0.2
26	20	-1.5
28	20	-3.8
30	20	-5.7
32	20	-5.5
34	20	-3.5
36	20	-1.6
38	20	-0.2
40	20	0.8
42	20	1.2
44	20	1.4
46	20	1.3
48	20	0.9
50	20	0.4
52	20	-0.2
54	20	-0.9
56	20	-1.4
58	20	-1.8
60	20	-1.9
62	20	-1.8
64	20	-1.5
66	20	-1.2
68	20	-0.8
70	20	-0.4
72	20	-0.1
74	20	0.2
76	20	0.4
78	20	0.6
80	20	0.7
82	20	0.8
84	20	0.8
86	20	0.9
88	20	0.9
90	20	0.9
92	20	1
94	20	1
96	20	1
98	20	1
100	20	1
102	20	1
104	20	0.9
106	20	0.8
108	20	0.6
110	20	0.4
112	20	0
114	20	-0.5
116	20	-1.1
118	20	-1.9
120	20	-2.8
122	20	-3.7
124	20	-4.3
126	20	-4.2
128	20	-3.4
130	20	-2.3
132	20	-1.2
134	20	-0.4
136	20	0.2
138	20	0.3
140	20	-0.1
142	20	-1
144	20	-2.6
146	20	-4.8
148	20	-6.9
150	20	-6.5
152	20	-3.9
154	20	-1.5
156	20	0.1
158	20	0.9
160	20	0.9
162	20	0.1
164	20	-1.7
166	20	-5.1
168	20	-11.7
170	20	-12.3
172	20	-5.1
174	20	-1.4
176	20	0.7
178	20	1.6
180	20	1.7
-180	22	1.8
-178	22	0.9
-176	22	-1.3
-174	22	-5.5
-172	22	-12.9
-170	22	-8.5
-168	22	-3
-166	22	-0.2
-164	22	1.2
-162	22	1.6
-160	22	1.2
-158	22	-0.1
-156	22	-2.1
-154	22	-4.6
-152	22	-5.7
-150	22	-4
-148	22	-1.7
-146	22	-0.1
-144	22	0.9
-142	22	1.4
-140	22	1.4
-138	22	1.1
-136	22	0.5
-134	22	-0.2
-132	22	-0.9
-130	22	-1.3
-128	22	-1.5
-126	22	-1.3
-124	22	-1
-122	22	-0.6
-120	22	-0.2

-118	22	0.2
-116	22	0.4
-114	22	0.6
-112	22	0.7
-110	22	0.7
-108	22	0.7
-106	22	0.5
-104	22	0.3
-102	22	0
-100	22	-0.4
-98	22	-0.8
-96	22	-1.2
-94	22	-1.6
-92	22	-2
-90	22	-2.3
-88	22	-2.5
-86	22	-2.5
-84	22	-2.5
-82	22	-2.3
-80	22	-2
-78	22	-1.5
-76	22	-1.1
-74	22	-0.6
-72	22	0
-70	22	0.4
-68	22	0.9
-66	22	1.2
-64	22	1.4
-62	22	1.4
-60	22	1.2
-58	22	0.8
-56	22	0.1
-54	22	-0.9
-52	22	-2.1
-50	22	-3.3
-48	22	-3.8
-46	22	-3.2
-44	22	-1.9
-42	22	-0.8
-40	22	0
-38	22	0.2
-36	22	-0.2
-34	22	-1.4
-32	22	-3.5
-30	22	-6.4
-28	22	-7.4
-26	22	-4.7
-24	22	-1.8
-22	22	0.1
-20	22	0.9
-18	22	0.8
-16	22	-0.3
-14	22	-2.8
-12	22	-8.1
-10	22	-16.1
-8	22	-6.8
-6	22	-1.9
-4	22	0.6
-2	22	1.7
0	22	1.8
2	22	0.8
4	22	-1.5
6	22	-5.9
8	22	-13.6
10	22	-8.1
12	22	-2.8
14	22	0
16	22	1.3
18	22	1.6
20	22	1.1
22	22	-0.2
24	22	-2.4
26	22	-5
28	22	-6
30	22	-4.1
32	22	-1.8
34	22	-0.1
36	22	0.9
38	22	1.4
40	22	1.4
42	22	1
44	22	0.4
46	22	-0.3
48	22	-1.1
50	22	-1.6
52	22	-1.8
54	22	-1.6
56	22	-1.3
58	22	-0.8
60	22	-0.3
62	22	0.1
64	22	0.4
66	22	0.6
68	22	0.8
70	22	0.8
72	22	0.7
74	22	0.6
76	22	0.3
78	22	0
80	22	-0.4
82	22	-0.8
84	22	-1.3
86	22	-1.7
88	22	-2.1
90	22	-2.4
92	22	-2.5
94	22	-2.6
96	22	-2.5
98	22	-2.3
100	22	-1.9
102	22	-1.5
104	22	-1.1
106	22	-0.6
108	22	-0.1
110	22	0.3
112	22	0.7
114	22	1
116	22	1.2
118	22	1.2

120	22	1.1
122	22	0.7
124	22	0
126	22	-1
128	22	-2.2
130	22	-3.5
132	22	-4
134	22	-3.4
136	22	-2.1
138	22	-0.9
140	22	0
142	22	0.3
144	22	-0.1
146	22	-1.3
148	22	-3.4
150	22	-6.6
152	22	-8.2
154	22	-5.1
156	22	-2
158	22	0
160	22	1
162	22	1
164	22	0
166	22	-2.5
168	22	-7.5
170	22	-16.5
172	22	-7.3
174	22	-2.1
176	22	0.5
178	22	1.7
180	22	1.8
-180	24	2
-178	24	0.9
-176	24	-1.8
-174	24	-7.5
-172	24	-14.4
-170	24	-5.5
-168	24	-1.1
-166	24	1
-164	24	1.7
-162	24	1.4
-160	24	0
-158	24	-2.3
-156	24	-5.2
-154	24	-5.7
-152	24	-3.2
-150	24	-0.9
-148	24	0.6
-146	24	1.2
-144	24	1.3
-142	24	0.8
-140	24	0
-138	24	-1
-136	24	-1.7
-134	24	-1.9
-132	24	-1.6
-130	24	-1
-128	24	-0.4
-126	24	0.1
-124	24	0.5
-122	24	0.7
-120	24	0.8
-118	24	0.8
-116	24	0.8
-114	24	0.7
-112	24	0.6
-110	24	0.4
-108	24	0.2
-106	24	0
-104	24	-0.3
-102	24	-0.5
-100	24	-0.8
-98	24	-0.9
-96	24	-1
-94	24	-1
-92	24	-1
-90	24	-1.1
-88	24	-1.1
-86	24	-1.3
-84	24	-1.5
-82	24	-1.7
-80	24	-2.1
-78	24	-2.5
-76	24	-2.9
-74	24	-3.3
-72	24	-3.6
-70	24	-3.6
-68	24	-3.2
-66	24	-2.4
-64	24	-1.4
-62	24	-0.3
-60	24	0.6
-58	24	1.2
-56	24	1.6
-54	24	1.6
-52	24	1.1
-50	24	0.2
-48	24	-1.1
-46	24	-2.8
-44	24	-3.8
-42	24	-3.2
-40	24	-1.6
-38	24	-0.2
-36	24	0.5
-34	24	0.5
-32	24	-0.4
-30	24	-2.6
-28	24	-6.3
-26	24	-8.9
-24	24	-5.1
-22	24	-1.5
-20	24	0.5
-18	24	1.3
-16	24	0.9
-14	24	-0.9
-12	24	-4.9
-10	24	-14.8
-8	24	-9.2
-6	24	-2.5

-4	24	0.6
-2	24	1.9
0	24	2
2	24	0.8
4	24	-2
6	24	-7.9
8	24	-14
10	24	-5.1
12	24	-0.9
14	24	1.1
16	24	1.8
18	24	1.4
20	24	0
22	24	-2.5
24	24	-5.6
26	24	-5.9
28	24	-3.1
30	24	-0.7
32	24	0.8
34	24	1.4
36	24	1.5
38	24	1
40	24	0.1
42	24	-0.9
44	24	-1.7
46	24	-1.9
48	24	-1.6
50	24	-1
52	24	-0.4
54	24	0.2
56	24	0.5
58	24	0.8
60	24	0.9
62	24	1
64	24	0.9
66	24	0.8
68	24	0.7
70	24	0.5
72	24	0.2
74	24	-0.1
76	24	-0.3
78	24	-0.5
80	24	-0.7
82	24	-0.7
84	24	-0.7
86	24	-0.7
88	24	-0.7
90	24	-0.8
92	24	-0.9
94	24	-1.1
96	24	-1.4
98	24	-1.8
100	24	-2.2
102	24	-2.6
104	24	-3.1
106	24	-3.5
108	24	-3.8
110	24	-3.8
112	24	-3.4
114	24	-2.6
116	24	-1.6
118	24	-0.5
120	24	0.5
122	24	1.2
124	24	1.6
126	24	1.6
128	24	1.2
130	24	0.3
132	24	-1.1
134	24	-2.8
136	24	-4
138	24	-3.4
140	24	-1.6
142	24	-0.1
144	24	0.7
146	24	0.7
148	24	-0.3
150	24	-2.5
152	24	-6.4
154	24	-9.7
156	24	-5.3
158	24	-1.5
160	24	0.7
162	24	1.5
164	24	1.1
166	24	-0.6
168	24	-4.4
170	24	-14
172	24	-9.8
174	24	-2.7
176	24	0.5
178	24	1.9
180	24	2
-180	26	2.3
-178	26	0.9
-176	26	-2.5
-174	26	-10.4
-172	26	-10.6
-170	26	-2.8
-168	26	0.6
-166	26	1.9
-164	26	2
-162	26	0.8
-160	26	-1.5
-158	26	-4.9
-156	26	-5.9
-154	26	-3
-152	26	-0.5
-150	26	0.9
-148	26	1.4
-146	26	1.1
-144	26	0.2
-142	26	-1
-140	26	-2
-138	26	-2.2
-136	26	-1.5
-134	26	-0.6
-132	26	0.2
-130	26	0.7

-128	26	0.9
-126	26	1
-124	26	0.9
-122	26	0.7
-120	26	0.6
-118	26	0.5
-116	26	0.4
-114	26	0.4
-112	26	0.4
-110	26	0.4
-108	26	0.5
-106	26	0.6
-104	26	0.9
-102	26	1.1
-100	26	1.5
-98	26	1.8
-96	26	2.1
-94	26	2.4
-92	26	2.6
-90	26	2.7
-88	26	2.8
-86	26	2.8
-84	26	2.8
-82	26	2.8
-80	26	2.6
-78	26	2.5
-76	26	2.3
-74	26	1.9
-72	26	1.5
-70	26	0.8
-68	26	-0.1
-66	26	-1.3
-64	26	-2.6
-62	26	-3.5
-60	26	-3.5
-58	26	-2.3
-56	26	-0.7
-54	26	0.5
-52	26	1.3
-50	26	1.5
-48	26	1.1
-46	26	0.1
-44	26	-1.7
-42	26	-3.5
-40	26	-3.7
-38	26	-1.9
-36	26	-0.1
-34	26	1
-32	26	1.2
-30	26	0.2
-28	26	-2.2
-26	26	-6.7
-24	26	-9
-22	26	-3.8
-20	26	-0.2
-18	26	1.5
-16	26	1.8
-14	26	0.7
-12	26	-2.4
-10	26	-9.9
-8	26	-11.9
-6	26	-2.9
-4	26	0.7
-2	26	2.3
0	26	2.3
2	26	0.9
4	26	-2.6
6	26	-10.6
8	26	-10.4
10	26	-2.6
12	26	0.7
14	26	2
16	26	2
18	26	0.9
20	26	-1.6
22	26	-5.2
24	26	-6.1
26	26	-2.9
28	26	-0.3
30	26	1.1
32	26	1.6
34	26	1.3
36	26	0.4
38	26	-0.9
40	26	-2.1
42	26	-2.4
44	26	-1.7
46	26	-0.7
48	26	0.2
50	26	0.7
52	26	1
54	26	1
56	26	0.9
58	26	0.7
60	26	0.6
62	26	0.5
64	26	0.4
66	26	0.3
68	26	0.3
70	26	0.4
72	26	0.5
74	26	0.7
76	26	0.9
78	26	1.2
80	26	1.6
82	26	2
84	26	2.3
86	26	2.6
88	26	2.8
90	26	2.9
92	26	3
94	26	3
96	26	2.9
98	26	2.8
100	26	2.6
102	26	2.4
104	26	2.2
106	26	1.9
108	26	1.4

110	26	0.8
112	26	-0.1
114	26	-1.3
116	26	-2.7
118	26	-3.7
120	26	-3.7
122	26	-2.4
124	26	-0.8
126	26	0.5
128	26	1.4
130	26	1.6
132	26	1.2
134	26	0.1
136	26	-1.7
138	26	-3.6
140	26	-3.7
142	26	-1.8
144	26	0.2
146	26	1.3
148	26	1.4
150	26	0.4
152	26	-2
154	26	-6.7
156	26	-9.4
158	26	-3.8
160	26	-0.1
162	26	1.6
164	26	1.9
166	26	0.8
168	26	-2.2
170	26	-9.6
172	26	-12.6
174	26	-3.1
176	26	0.7
178	26	2.2
180	26	2.3
-180	28	2.4
-178	28	0.7
-176	28	-3.6
-174	28	-14.5
-172	28	-6.5
-170	28	-0.7
-168	28	1.8
-166	28	2.5
-164	28	1.8
-162	28	-0.2
-160	28	-3.7
-158	28	-6
-156	28	-3.2
-154	28	-0.4
-152	28	1.1
-150	28	1.6
-148	28	1.1
-146	28	0
-144	28	-1.4
-142	28	-2.2
-140	28	-1.7
-138	28	-0.6
-136	28	0.4
-134	28	1
-132	28	1.2
-130	28	1.2
-128	28	0.9
-126	28	0.6
-124	28	0.3
-122	28	0.2
-120	28	0.2
-118	28	0.2
-116	28	0.2
-114	28	0.2
-112	28	0.1
-110	28	0
-108	28	-0.1
-106	28	-0.2
-104	28	-0.3
-102	28	-0.4
-100	28	-0.5
-98	28	-0.7
-96	28	-0.8
-94	28	-1
-92	28	-1.1
-90	28	-1.2
-88	28	-1.2
-86	28	-1.2
-84	28	-1
-82	28	-0.6
-80	28	-0.1
-78	28	0.5
-76	28	1.1
-74	28	1.8
-72	28	2.3
-70	28	2.6
-68	28	2.8
-66	28	2.6
-64	28	2.1
-62	28	1.2
-60	28	-0.1
-58	28	-1.5
-56	28	-2.3
-54	28	-1.8
-52	28	-0.5
-50	28	0.8
-48	28	1.5
-46	28	1.5
-44	28	0.7
-42	28	-0.8
-40	28	-2.9
-38	28	-3.7
-36	28	-1.9
-34	28	0.2
-32	28	1.4
-30	28	1.5
-28	28	0.4
-26	28	-2.5
-24	28	-7.4
-22	28	-6.7
-20	28	-1.7
-18	28	1.1
-16	28	2.2

-14	28	1.6
-12	28	-0.7
-10	28	-6.4
-8	28	-14.2
-6	28	-3.6
-4	28	0.7
-2	28	2.4
0	28	2.4
2	28	0.7
4	28	-3.6
6	28	-14.9
8	28	-6.6
10	28	-0.7
12	28	1.8
14	28	2.5
16	28	1.8
18	28	-0.3
20	28	-3.9
22	28	-6.4
24	28	-3.4
26	28	-0.4
28	28	1.1
30	28	1.6
32	28	1.1
34	28	-0.1
36	28	-1.7
38	28	-2.7
40	28	-2.2
42	28	-0.9
44	28	0.3
46	28	1
48	28	1.2
50	28	1.1
52	28	0.8
54	28	0.5
56	28	0.2
58	28	0
60	28	0.1
62	28	0.2
64	28	0.2
66	28	0.3
68	28	0.2
70	28	0.1
72	28	0
74	28	-0.1
76	28	-0.2
78	28	-0.3
80	28	-0.5
82	28	-0.6
84	28	-0.7
86	28	-0.9
88	28	-1
90	28	-1.1
92	28	-1.2
94	28	-1.1
96	28	-0.9
98	28	-0.6
100	28	-0.2
102	28	0.4
104	28	1
106	28	1.6
108	28	2.2
110	28	2.5
112	28	2.7
114	28	2.5
116	28	2
118	28	1.1
120	28	-0.2
122	28	-1.7
124	28	-2.7
126	28	-2.3
128	28	-0.8
130	28	0.5
132	28	1.3
134	28	1.4
136	28	0.7
138	28	-0.9
140	28	-3
142	28	-3.7
144	28	-1.7
146	28	0.4
148	28	1.7
150	28	1.8
152	28	0.6
154	28	-2.2
156	28	-7.2
158	28	-6.6
160	28	-1.6
162	28	1.3
164	28	2.3
166	28	1.8
168	28	-0.6
170	28	-6.4
172	28	-15.2
174	28	-3.7
176	28	0.7
178	28	2.4
180	28	2.4
-180	30	2.2
-178	30	0.1
-176	30	-5.3
-174	30	-15.1
-172	30	-3.7
-170	30	0.7
-168	30	2.4
-166	30	2.4
-164	30	0.8
-162	30	-2.4
-160	30	-5.8
-158	30	-3.7
-156	30	-0.4
-154	30	1.3
-152	30	1.8
-150	30	1.2
-148	30	-0.1
-146	30	-1.4
-144	30	-1.8
-142	30	-0.9
-140	30	0.3

-138	30	1.1
-136	30	1.4
-134	30	1.3
-132	30	1
-130	30	0.5
-128	30	0.1
-126	30	-0.2
-124	30	-0.2
-122	30	-0.2
-120	30	-0.1
-118	30	-0.1
-116	30	-0.2
-114	30	-0.3
-112	30	-0.5
-110	30	-0.7
-108	30	-0.8
-106	30	-0.9
-104	30	-1
-102	30	-0.9
-100	30	-0.7
-98	30	-0.5
-96	30	-0.2
-94	30	0
-92	30	0.1
-90	30	0
-88	30	-0.1
-86	30	-0.5
-84	30	-1.1
-82	30	-2
-80	30	-3.2
-78	30	-4.5
-76	30	-5.4
-74	30	-5.2
-72	30	-3.7
-70	30	-1.9
-68	30	-0.3
-66	30	1
-64	30	1.8
-62	30	2.2
-60	30	2.1
-58	30	1.6
-56	30	0.6
-54	30	-0.6
-52	30	-1.4
-50	30	-1
-48	30	0.2
-46	30	1.2
-44	30	1.6
-42	30	1.2
-40	30	-0.1
-38	30	-2.2
-36	30	-3.6
-34	30	-2.1
-32	30	0.1
-30	30	1.5
-28	30	1.5
-26	30	0.2
-24	30	-3.1
-22	30	-7.3
-20	30	-4.1
-18	30	-0.1
-16	30	1.9
-14	30	2.1
-12	30	0.4
-10	30	-4.1
-8	30	-14.2
-6	30	-4.8
-4	30	0.2
-2	30	2.1
0	30	2.1
2	30	0
4	30	-5.4
6	30	-16
8	30	-3.9
10	30	0.6
12	30	2.3
14	30	2.3
16	30	0.7
18	30	-2.6
20	30	-6.1
22	30	-3.8
24	30	-0.5
26	30	1.2
28	30	1.7
30	30	1.1
32	30	-0.2
34	30	-1.6
36	30	-2
38	30	-1.1
40	30	0.2
42	30	1.1
44	30	1.5
46	30	1.4
48	30	1
50	30	0.5
52	30	0
54	30	-0.3
56	30	-0.3
58	30	-0.2
60	30	-0.1
62	30	0
64	30	-0.1
66	30	-0.2
68	30	-0.5
70	30	-0.7
72	30	-0.9
74	30	-1
76	30	-0.9
78	30	-0.8
80	30	-0.5
82	30	-0.3
84	30	0
86	30	0.2
88	30	0.3
90	30	0.3
92	30	0.1
94	30	-0.3
96	30	-1
98	30	-1.9

100	30	-3
102	30	-4.4
104	30	-5.5
106	30	-5.5
108	30	-4.1
110	30	-2.2
112	30	-0.5
114	30	0.9
116	30	1.8
118	30	2.3
120	30	2.3
122	30	1.7
124	30	0.7
126	30	-0.7
128	30	-1.7
130	30	-1.3
132	30	0
134	30	1.1
136	30	1.6
138	30	1.3
140	30	0
142	30	-2.3
144	30	-3.7
146	30	-2.1
148	30	0.3
150	30	1.7
152	30	1.8
154	30	0.4
156	30	-2.8
158	30	-7
160	30	-3.9
162	30	0.1
164	30	2
166	30	2.2
168	30	0.5
170	30	-4.1
172	30	-14.7
174	30	-4.6
176	30	0.4
178	30	2.2
180	30	2.2
-180	32	1.7
-178	32	-0.8
-176	32	-7.9
-174	32	-10.7
-172	32	-1.8
-170	32	1.5
-168	32	2.4
-166	32	1.5
-164	32	-1.3
-162	32	-5.5
-160	32	-4.3
-158	32	-0.6
-156	32	1.4
-154	32	2
-152	32	1.4
-150	32	0
-148	32	-1.3
-146	32	-1.2
-144	32	0
-142	32	1.1
-140	32	1.7
-138	32	1.7
-136	32	1.3
-134	32	0.8
-132	32	0.4
-130	32	0.2
-128	32	0.2
-126	32	0.3
-124	32	0.3
-122	32	0.2
-120	32	0.2
-118	32	0.2
-116	32	0.2
-114	32	0.3
-112	32	0.4
-110	32	0.6
-108	32	0.8
-106	32	1.1
-104	32	1.6
-102	32	2.1
-100	32	2.7
-98	32	3.2
-96	32	3.7
-94	32	4.2
-92	32	4.5
-90	32	4.7
-88	32	4.9
-86	32	4.9
-84	32	4.8
-82	32	4.5
-80	32	4.2
-78	32	3.6
-76	32	2.9
-74	32	1.8
-72	32	0.4
-70	32	-1.4
-68	32	-3.4
-66	32	-4.6
-64	32	-3.6
-62	32	-1.6
-60	32	0.2
-58	32	1.4
-56	32	1.8
-54	32	1.6
-52	32	0.7
-50	32	-0.5
-48	32	-1.1
-46	32	-0.4
-44	32	1
-42	32	1.9
-40	32	1.9
-38	32	0.8
-36	32	-1.4
-34	32	-3.6
-32	32	-2.4
-30	32	0.1
-28	32	1.6
-26	32	1.5

-24	32	-0.2
-22	32	-4.2
-20	32	-6.8
-18	32	-2.1
-16	32	1
-14	32	2
-12	32	1
-10	32	-2.6
-8	32	-12.3
-6	32	-6.2
-4	32	-0.3
-2	32	1.8
0	32	1.6
2	32	-1
4	32	-8
6	32	-10.9
8	32	-1.9
10	32	1.4
12	32	2.2
14	32	1.3
16	32	-1.6
18	32	-5.8
20	32	-4.4
22	32	-0.6
24	32	1.4
26	32	1.9
28	32	1.3
30	32	-0.1
32	32	-1.5
34	32	-1.3
36	32	-0.1
38	32	1.1
40	32	1.7
42	32	1.8
44	32	1.4
46	32	0.9
48	32	0.4
50	32	0.1
52	32	0.1
54	32	0.2
56	32	0.3
58	32	0.3
60	32	0.3
62	32	0.3
64	32	0.3
66	32	0.3
68	32	0.4
70	32	0.6
72	32	0.8
74	32	1.2
76	32	1.6
78	32	2.1
80	32	2.7
82	32	3.2
84	32	3.7
86	32	4.2
88	32	4.6
90	32	4.8
92	32	5
94	32	5
96	32	4.9
98	32	4.6
100	32	4.3
102	32	3.7
104	32	3
106	32	2
108	32	0.6
110	32	-1.2
112	32	-3.3
114	32	-4.6
116	32	-3.5
118	32	-1.3
120	32	0.6
122	32	1.7
124	32	2.1
126	32	1.8
128	32	0.7
130	32	-0.7
132	32	-1.3
134	32	-0.3
136	32	1.2
138	32	2.2
140	32	2.2
142	32	1
144	32	-1.3
146	32	-3.7
148	32	-2.4
150	32	0.3
152	32	1.8
154	32	1.7
156	32	-0.1
158	32	-4.1
160	32	-6.9
162	32	-2.1
164	32	1.1
166	32	2
168	32	1
170	32	-2.7
172	32	-12.7
174	32	-6
176	32	-0.2
178	32	1.9
180	32	1.7
-180	34	1.5
-178	34	-1.6
-176	34	-10.5
-174	34	-7.4
-172	34	-0.5
-170	34	1.9
-168	34	2
-166	34	-0.1
-164	34	-4.6
-162	34	-6.3
-160	34	-1.4
-158	34	1.3
-156	34	2.2
-154	34	1.5
-152	34	-0.3
-150	34	-2.1

-148	34	-1.7
-146	34	0
-144	34	1.4
-142	34	1.8
-140	34	1.5
-138	34	0.9
-136	34	0.2
-134	34	0.1
-132	34	0.4
-130	34	0.7
-128	34	0.9
-126	34	0.8
-124	34	0.6
-122	34	0.5
-120	34	0.7
-118	34	1
-116	34	1.3
-114	34	1.6
-112	34	1.7
-110	34	1.8
-108	34	1.7
-106	34	1.6
-104	34	1.5
-102	34	1.3
-100	34	1.2
-98	34	1
-96	34	0.9
-94	34	0.8
-92	34	0.8
-90	34	0.9
-88	34	1.1
-86	34	1.5
-84	34	1.9
-82	34	2.5
-80	34	3
-78	34	3.6
-76	34	4
-74	34	4.3
-72	34	4.4
-70	34	4.1
-68	34	3.4
-66	34	2.1
-64	34	0.3
-62	34	-1.7
-60	34	-2.3
-58	34	-0.9
-56	34	0.9
-54	34	2
-52	34	2.2
-50	34	1.6
-48	34	0.3
-46	34	-1
-44	34	-0.6
-42	34	1
-40	34	2.1
-38	34	2.3
-36	34	1.1
-34	34	-1.5
-32	34	-3.8
-30	34	-1.9
-28	34	0.8
-26	34	1.9
-24	34	1.2
-22	34	-1.8
-20	34	-7.3
-18	34	-4.6
-16	34	0.1
-14	34	1.9
-12	34	1.5
-10	34	-1.6
-8	34	-11
-6	34	-7.1
-4	34	-0.4
-2	34	1.8
0	34	1.5
2	34	-1.6
4	34	-10.8
6	34	-7.3
8	34	-0.4
10	34	2
12	34	2
14	34	-0.1
16	34	-4.8
18	34	-6.3
20	34	-1.4
22	34	1.4
24	34	2.2
26	34	1.5
28	34	-0.4
30	34	-2.2
32	34	-1.8
34	34	0.1
36	34	1.4
38	34	1.8
40	34	1.6
42	34	0.8
44	34	0.1
46	34	-0.1
48	34	0.1
50	34	0.5
52	34	0.7
54	34	0.8
56	34	0.7
58	34	0.7
60	34	0.8
62	34	1.1
64	34	1.5
66	34	1.8
68	34	1.9
70	34	2
72	34	1.9
74	34	1.7
76	34	1.5
78	34	1.3
80	34	1.1
82	34	0.9
84	34	0.7
86	34	0.7
88	34	0.7

90	34	0.9
92	34	1.1
94	34	1.5
96	34	1.9
98	34	2.5
100	34	3
102	34	3.6
104	34	4.1
106	34	4.4
108	34	4.5
110	34	4.2
112	34	3.4
114	34	2.1
116	34	0.2
118	34	-1.8
120	34	-2.2
122	34	-0.6
124	34	1.1
126	34	2.2
128	34	2.3
130	34	1.5
132	34	-0.1
134	34	-1.3
136	34	-0.6
138	34	1.1
140	34	2.3
142	34	2.4
144	34	1.2
146	34	-1.5
148	34	-3.9
150	34	-1.8
152	34	0.9
154	34	2
156	34	1.3
158	34	-1.6
160	34	-7.5
162	34	-5
164	34	-0.1
166	34	1.8
168	34	1.4
170	34	-1.7
172	34	-11.2
174	34	-7.2
176	34	-0.4
178	34	1.8
180	34	1.5
-180	36	1.7
-178	36	-1.8
-176	36	-12.8
-174	36	-5
-172	36	0.7
-170	36	2.4
-168	36	1.7
-166	36	-1.6
-164	36	-7.7
-162	36	-3.9
-160	36	0.6
-158	36	2.2
-156	36	2
-154	36	0.1
-152	36	-2.7
-150	36	-2.9
-148	36	-0.4
-146	36	1.4
-144	36	2
-142	36	1.7
-140	36	0.7
-138	36	-0.1
-136	36	-0.1
-134	36	0.5
-132	36	1
-130	36	1.3
-128	36	1.1
-126	36	0.8
-124	36	0.6
-122	36	0.8
-120	36	1.1
-118	36	1.5
-116	36	1.8
-114	36	1.8
-112	36	1.6
-110	36	1.2
-108	36	0.7
-106	36	0.2
-104	36	-0.2
-102	36	-0.4
-100	36	-0.5
-98	36	-0.5
-96	36	-0.5
-94	36	-0.5
-92	36	-0.6
-90	36	-0.9
-88	36	-1.3
-86	36	-2.1
-84	36	-3.2
-82	36	-4.6
-80	36	-5.6
-78	36	-4.9
-76	36	-2.7
-74	36	-0.3
-72	36	1.7
-70	36	3
-68	36	3.7
-66	36	3.9
-64	36	3.4
-62	36	2.2
-60	36	0.4
-58	36	-1.3
-56	36	-1.4
-54	36	0
-52	36	1.3
-50	36	1.8
-48	36	1.4
-46	36	0
-44	36	-1.5
-42	36	-1.3
-40	36	0.4
-38	36	1.7
-36	36	1.6

-34	36	0.1
-32	36	-3
-30	36	-3.9
-28	36	-0.8
-26	36	1.4
-24	36	1.6
-22	36	-0.4
-20	36	-6
-18	36	-7.2
-16	36	-0.7
-14	36	2
-12	36	2
-10	36	-0.7
-8	36	-9.7
-6	36	-7.5
-4	36	0
-2	36	2.3
0	36	1.8
2	36	-1.8
4	36	-12.9
6	36	-4.8
8	36	0.8
10	36	2.5
12	36	1.8
14	36	-1.6
16	36	-7.7
18	36	-3.8
20	36	0.7
22	36	2.3
24	36	2
26	36	0.1
28	36	-2.7
30	36	-2.8
32	36	-0.3
34	36	1.5
36	36	2
38	36	1.6
40	36	0.6
42	36	-0.3
44	36	-0.4
46	36	0.3
48	36	0.9
50	36	1.2
52	36	1.1
54	36	0.9
56	36	0.8
58	36	0.9
60	36	1.3
62	36	1.7
64	36	2
66	36	2
68	36	1.9
70	36	1.5
72	36	1
74	36	0.4
76	36	0
78	36	-0.2
80	36	-0.3
82	36	-0.3
84	36	-0.3
86	36	-0.3
88	36	-0.4
90	36	-0.7
92	36	-1.2
94	36	-1.9
96	36	-3.1
98	36	-4.5
100	36	-5.7
102	36	-5.1
104	36	-2.8
106	36	-0.3
108	36	1.7
110	36	3
112	36	3.8
114	36	3.9
116	36	3.3
118	36	2.1
120	36	0.3
122	36	-1.4
124	36	-1.3
126	36	0.2
128	36	1.5
130	36	2
132	36	1.4
134	36	-0.1
136	36	-1.7
138	36	-1.4
140	36	0.4
142	36	1.7
144	36	1.7
146	36	0.1
148	36	-3
150	36	-4
152	36	-0.8
154	36	1.4
156	36	1.7
158	36	-0.3
160	36	-5.9
162	36	-7.8
164	36	-1
166	36	1.8
168	36	1.9
170	36	-0.9
172	36	-9.9
174	36	-7.8
176	36	-0.2
178	36	2.2
180	36	1.7
-180	38	1.8
-178	38	-2.2
-176	38	-13.7
-174	38	-3.2
-172	38	1.5
-170	38	2.7
-168	38	1.2
-166	38	-3.3
-164	38	-7.4
-162	38	-1.4
-160	38	1.7

-158	38	2.3
-156	38	1
-154	38	-1.9
-152	38	-3.4
-150	38	-0.9
-148	38	1.4
-146	38	2.3
-144	38	2.1
-142	38	1.2
-140	38	0.2
-138	38	0
-136	38	0.6
-134	38	1.2
-132	38	1.5
-130	38	1.5
-128	38	1.3
-126	38	1.2
-124	38	1.2
-122	38	1.4
-120	38	1.6
-118	38	1.7
-116	38	1.6
-114	38	1.4
-112	38	1
-110	38	0.9
-108	38	0.9
-106	38	1.3
-104	38	2
-102	38	2.8
-100	38	3.6
-98	38	4.3
-96	38	4.9
-94	38	5.5
-92	38	5.9
-90	38	6.2
-88	38	6.3
-86	38	6.2
-84	38	6
-82	38	5.5
-80	38	4.7
-78	38	3.6
-76	38	2
-74	38	-0.1
-72	38	-2
-70	38	-2.3
-68	38	-0.7
-66	38	1.1
-64	38	2.4
-62	38	2.9
-60	38	2.6
-58	38	1.5
-56	38	-0.2
-54	38	-1.6
-52	38	-1.1
-50	38	0.4
-48	38	1.4
-46	38	1.3
-44	38	0.2
-42	38	-1.4
-40	38	-1.5
-38	38	0.1
-36	38	1.2
-34	38	0.9
-32	38	-1.2
-30	38	-4.2
-28	38	-2.8
-26	38	0.4
-24	38	1.7
-22	38	0.6
-20	38	-3.6
-18	38	-9.3
-16	38	-1.9
-14	38	1.8
-12	38	2.4
-10	38	0.1
-8	38	-7.7
-6	38	-8.6
-4	38	-0.1
-2	38	2.4
0	38	1.9
2	38	-2.1
4	38	-13.5
6	38	-3.1
8	38	1.6
10	38	2.7
12	38	1.2
14	38	-3.4
16	38	-7.3
18	38	-1.3
20	38	1.8
22	38	2.3
24	38	1
26	38	-1.9
28	38	-3.4
30	38	-0.8
32	38	1.4
34	38	2.2
36	38	2
38	38	0.9
40	38	0
42	38	-0.2
44	38	0.5
46	38	1.2
48	38	1.5
50	38	1.4
52	38	1.2
54	38	1.1
56	38	1.2
58	38	1.4
60	38	1.6
62	38	1.7
64	38	1.7
66	38	1.4
68	38	1.2
70	38	1
72	38	1.1
74	38	1.6
76	38	2.2
78	38	3

80	38	3.7
82	38	4.4
84	38	5
86	38	5.5
88	38	5.9
90	38	6.2
92	38	6.3
94	38	6.2
96	38	6
98	38	5.4
100	38	4.6
102	38	3.4
104	38	1.8
106	38	-0.3
108	38	-2.2
110	38	-2.4
112	38	-0.7
114	38	1.1
116	38	2.4
118	38	2.9
120	38	2.6
122	38	1.5
124	38	-0.2
126	38	-1.5
128	38	-1
130	38	0.6
132	38	1.6
134	38	1.5
136	38	0.3
138	38	-1.4
140	38	-1.5
142	38	0.1
144	38	1.3
146	38	1
148	38	-1.1
150	38	-4.2
152	38	-2.9
154	38	0.3
156	38	1.7
158	38	0.7
160	38	-3.5
162	38	-9.7
164	38	-2.1
166	38	1.7
168	38	2.3
170	38	0.1
172	38	-7.8
174	38	-8.9
176	38	-0.2
178	38	2.3
180	38	1.8
-180	40	1.5
-178	40	-2.9
-176	40	-12.2
-174	40	-2
-172	40	1.9
-170	40	2.3
-168	40	0
-166	40	-5.3
-164	40	-3.9
-162	40	0.6
-160	40	2.3
-158	40	1.7
-156	40	-0.7
-154	40	-2.7
-152	40	-0.8
-150	40	1.6
-148	40	2.6
-146	40	2.3
-144	40	1.3
-142	40	0.2
-140	40	0.1
-138	40	0.7
-136	40	1.1
-134	40	1.2
-132	40	1.1
-130	40	0.9
-128	40	1
-126	40	1.2
-124	40	1.3
-122	40	1.3
-120	40	1.2
-118	40	1.2
-116	40	1.3
-114	40	1.6
-112	40	2.1
-110	40	2.7
-108	40	3.2
-106	40	3.6
-104	40	3.9
-102	40	4.1
-100	40	4.2
-98	40	4.1
-96	40	4
-94	40	4
-92	40	4.1
-90	40	4.3
-88	40	4.5
-86	40	4.9
-84	40	5.3
-82	40	5.6
-80	40	5.8
-78	40	5.9
-76	40	5.7
-74	40	5
-72	40	3.9
-70	40	2.2
-68	40	0
-66	40	-1.7
-64	40	-0.9
-62	40	0.9
-60	40	2.3
-58	40	2.8
-56	40	2.2
-54	40	0.7
-52	40	-1.3
-50	40	-1.6
-48	40	0
-46	40	1.3

-44	40	1.5
-42	40	0.3
-40	40	-1.3
-38	40	-1.3
-36	40	0.4
-34	40	1.3
-32	40	0.5
-30	40	-2.4
-28	40	-4.8
-26	40	-1.4
-24	40	1.3
-22	40	1.5
-20	40	-1.1
-18	40	-7.7
-16	40	-4
-14	40	1
-12	40	2.4
-10	40	0.7
-8	40	-5.9
-6	40	-10.5
-4	40	-0.5
-2	40	2.2
0	40	1.6
2	40	-2.9
4	40	-12.4
6	40	-1.9
8	40	1.9
10	40	2.3
12	40	-0.1
14	40	-5.6
16	40	-4
18	40	0.7
20	40	2.3
22	40	1.7
24	40	-0.8
26	40	-2.8
28	40	-0.8
30	40	1.6
32	40	2.5
34	40	2.2
36	40	1.1
38	40	0.2
40	40	0.1
42	40	0.7
44	40	1.1
46	40	1.2
48	40	1
50	40	0.9
52	40	0.9
54	40	1.1
56	40	1.2
58	40	1.1
60	40	1
62	40	0.9
64	40	1
66	40	1.4
68	40	2
70	40	2.7
72	40	3.3
74	40	3.7
76	40	4
78	40	4.2
80	40	4.2
82	40	4.1
84	40	4
86	40	4
88	40	4.1
90	40	4.2
92	40	4.5
94	40	4.9
96	40	5.2
98	40	5.5
100	40	5.7
102	40	5.7
104	40	5.5
106	40	4.9
108	40	3.9
110	40	2.2
112	40	0.1
114	40	-1.5
116	40	-0.9
118	40	1
120	40	2.5
122	40	2.9
124	40	2.4
126	40	0.9
128	40	-1
130	40	-1.3
132	40	0.3
134	40	1.5
136	40	1.6
138	40	0.4
140	40	-1.4
142	40	-1.4
144	40	0.4
146	40	1.4
148	40	0.6
150	40	-2.4
152	40	-4.9
154	40	-1.4
156	40	1.3
158	40	1.6
160	40	-1.1
162	40	-8.1
164	40	-4.2
166	40	1
168	40	2.5
170	40	0.9
172	40	-5.6
174	40	-11.4
176	40	-0.7
178	40	2.1
180	40	1.5
-180	42	1.4
-178	42	-3.5
-176	42	-10.3
-174	42	-1.1
-172	42	2
-170	42	1.8

-168	42	-1.6
-166	42	-5.7
-164	42	-1.1
-162	42	2
-160	42	2.4
-158	42	0.7
-156	42	-2
-154	42	-0.9
-152	42	1.8
-150	42	3
-148	42	2.8
-146	42	1.5
-144	42	0.3
-142	42	0.5
-140	42	1.5
-138	42	2
-136	42	1.9
-134	42	1.4
-132	42	1
-130	42	1.1
-128	42	1.5
-126	42	1.7
-124	42	1.6
-122	42	1.3
-120	42	1.1
-118	42	1.4
-116	42	2
-114	42	2.8
-112	42	3.5
-110	42	3.9
-108	42	4
-106	42	3.9
-104	42	3.5
-102	42	3
-100	42	2.3
-98	42	1.6
-96	42	0.9
-94	42	0.1
-92	42	-0.7
-90	42	-1.6
-88	42	-2.5
-86	42	-3.3
-84	42	-3.1
-82	42	-1.8
-80	42	0.2
-78	42	2.1
-76	42	3.7
-74	42	4.7
-72	42	5.1
-70	42	4.8
-68	42	3.8
-66	42	2
-64	42	-0.5
-62	42	-2.1
-60	42	-0.7
-58	42	1.2
-56	42	2.2
-54	42	1.9
-52	42	0.5
-50	42	-1.4
-48	42	-1.7
-46	42	0.1
-44	42	1.4
-42	42	1.3
-40	42	-0.2
-38	42	-1.9
-36	42	-0.9
-34	42	1
-32	42	1.5
-30	42	-0.3
-28	42	-4.7
-26	42	-4.6
-24	42	0
-22	42	1.6
-20	42	0.3
-18	42	-5.3
-16	42	-7.5
-14	42	-0.2
-12	42	2.1
-10	42	1.1
-8	42	-4.7
-6	42	-13.6
-4	42	-1
-2	42	2
0	42	1.3
2	42	-3.7
4	42	-10.6
6	42	-1
8	42	2.1
10	42	1.8
12	42	-1.7
14	42	-6.2
16	42	-1.1
18	42	2.1
20	42	2.5
22	42	0.8
24	42	-1.8
26	42	-0.9
28	42	1.8
30	42	3
32	42	2.8
34	42	1.6
36	42	0.4
38	42	0.7
40	42	1.6
42	42	2.1
44	42	1.9
46	42	1.5
48	42	1.2
50	42	1.3
52	42	1.7
54	42	1.8
56	42	1.6
58	42	1.3
60	42	1.1
62	42	1.4
64	42	2.2
66	42	3
68	42	3.6

70	42	4
72	42	4.1
74	42	4
76	42	3.6
78	42	3
80	42	2.3
82	42	1.5
84	42	0.8
86	42	0
88	42	-0.8
90	42	-1.6
92	42	-2.5
94	42	-3.1
96	42	-2.9
98	42	-1.6
100	42	0.3
102	42	2.1
104	42	3.6
106	42	4.6
108	42	5.1
110	42	4.9
112	42	3.9
114	42	2.1
116	42	-0.4
118	42	-2
120	42	-0.7
122	42	1.3
124	42	2.3
126	42	2.1
128	42	0.7
130	42	-1.2
132	42	-1.4
134	42	0.4
136	42	1.6
138	42	1.5
140	42	-0.2
142	42	-2.1
144	42	-1
146	42	1
148	42	1.5
150	42	-0.3
152	42	-4.9
154	42	-4.5
156	42	0.2
158	42	1.8
160	42	0.4
162	42	-5.4
164	42	-8
166	42	-0.2
168	42	2.3
170	42	1.3
172	42	-4.4
174	42	-14.4
176	42	-1
178	42	2
180	42	1.4
-180	44	1.7
-178	44	-3.6
-176	44	-9.3
-174	44	-0.3
-172	44	2.3
-170	44	1.4
-168	44	-3.2
-166	44	-5.5
-164	44	0.2
-162	44	2.5
-160	44	2
-158	44	-0.7
-156	44	-2.3
-154	44	0.6
-152	44	2.8
-150	44	3.1
-148	44	2
-146	44	0.5
-144	44	0.6
-142	44	1.9
-140	44	2.8
-138	44	2.9
-136	44	2.3
-134	44	1.7
-132	44	1.6
-130	44	1.8
-128	44	2
-126	44	2
-124	44	1.8
-122	44	1.7
-120	44	1.9
-118	44	2.4
-116	44	2.9
-114	44	3.1
-112	44	3
-110	44	2.6
-108	44	1.9
-106	44	1.1
-104	44	0.5
-102	44	0.4
-100	44	1.1
-98	44	2.1
-96	44	3.3
-94	44	4.2
-92	44	4.9
-90	44	5.3
-88	44	5.3
-86	44	4.9
-84	44	4
-82	44	2.7
-80	44	1
-78	44	-0.6
-76	44	-0.7
-74	44	1
-72	44	2.8
-70	44	4.1
-68	44	4.7
-66	44	4.5
-64	44	3.4
-62	44	1.5
-60	44	-0.7
-58	44	-1.1
-56	44	0.5

-54	44	1.8
-52	44	1.9
-50	44	0.9
-48	44	-0.6
-46	44	-0.6
-44	44	0.9
-42	44	1.9
-40	44	1.4
-38	44	-0.5
-36	44	-1.5
-34	44	0.4
-32	44	1.9
-30	44	1.4
-28	44	-1.8
-26	44	-6.2
-24	44	-1.6
-22	44	1.4
-20	44	1.2
-18	44	-3.1
-16	44	-11.8
-14	44	-1.4
-12	44	2
-10	44	1.6
-8	44	-3.6
-6	44	-16.5
-4	44	-0.9
-2	44	2.3
0	44	1.6
2	44	-3.7
4	44	-9.5
6	44	-0.3
8	44	2.3
10	44	1.4
12	44	-3.3
14	44	-5.6
16	44	0.3
18	44	2.6
20	44	2.1
22	44	-0.6
24	44	-2.3
26	44	0.6
28	44	2.8
30	44	3.1
32	44	2.1
34	44	0.6
36	44	0.7
38	44	2
40	44	2.9
42	44	2.9
44	44	2.3
46	44	1.7
48	44	1.6
50	44	2
52	44	2.2
54	44	2.1
56	44	1.8
58	44	1.7
60	44	2
62	44	2.5
64	44	3
66	44	3.3
68	44	3.2
70	44	2.7
72	44	1.9
74	44	1.1
76	44	0.4
78	44	0.4
80	44	1.1
82	44	2.2
84	44	3.3
86	44	4.3
88	44	5
90	44	5.3
92	44	5.3
94	44	4.9
96	44	4
98	44	2.6
100	44	0.9
102	44	-0.7
104	44	-0.8
106	44	0.8
108	44	2.6
110	44	3.9
112	44	4.6
114	44	4.5
116	44	3.5
118	44	1.6
120	44	-0.7
122	44	-1.2
124	44	0.5
126	44	1.8
128	44	2
130	44	0.9
132	44	-0.7
134	44	-0.7
136	44	1
138	44	1.9
140	44	1.4
142	44	-0.6
144	44	-1.8
146	44	0.3
148	44	1.9
150	44	1.4
152	44	-2
154	44	-6.5
156	44	-1.4
158	44	1.7
160	44	1.4
162	44	-3
164	44	-12.6
166	44	-1.3
168	44	2.2
170	44	1.8
172	44	-3.3
174	44	-17.3
176	44	-0.9
178	44	2.4
180	44	1.7
-180	46	1.9

-178	46	-3.8
-176	46	-8.5
-174	46	0.3
-172	46	2.5
-170	46	1
-168	46	-4.8
-166	46	-4.3
-164	46	1
-162	46	2.5
-160	46	1.1
-158	46	-2.1
-156	46	-1.3
-154	46	1.8
-152	46	3.1
-150	46	2.6
-148	46	1.1
-146	46	0.7
-144	46	1.9
-142	46	2.9
-140	46	3
-138	46	2.6
-136	46	2
-134	46	1.9
-132	46	2
-130	46	2.1
-128	46	2
-126	46	2
-124	46	2.3
-122	46	2.7
-120	46	3.1
-118	46	3.2
-116	46	2.9
-114	46	2.4
-112	46	1.8
-110	46	1.3
-108	46	1.1
-106	46	1.5
-104	46	2.2
-102	46	2.9
-100	46	3.6
-98	46	4.2
-96	46	4.7
-94	46	5.2
-92	46	5.6
-90	46	5.9
-88	46	6
-86	46	6
-84	46	5.8
-82	46	5.4
-80	46	4.6
-78	46	3.3
-76	46	1.6
-74	46	-0.6
-72	46	-1.9
-70	46	-0.5
-68	46	1.8
-66	46	3.5
-64	46	4.3
-62	46	4.1
-60	46	2.9
-58	46	1
-56	46	0
-54	46	1.1
-52	46	2.4
-50	46	2.6
-48	46	1.7
-46	46	0.3
-44	46	0.3
-42	46	1.6
-40	46	2.1
-38	46	1.1
-36	46	-1.1
-34	46	-0.9
-32	46	1.3
-30	46	1.9
-28	46	0
-26	46	-4.8
-24	46	-3
-22	46	1.1
-20	46	1.8
-18	46	-1.4
-16	46	-11.4
-14	46	-2.1
-12	46	2.2
-10	46	2.2
-8	46	-2.5
-6	46	-18.9
-4	46	-0.7
-2	46	2.7
0	46	1.9
2	46	-3.9
4	46	-8.7
6	46	0.3
8	46	2.5
10	46	1
12	46	-4.8
14	46	-4.5
16	46	0.9
18	46	2.4
20	46	1
22	46	-2.2
24	46	-1.5
26	46	1.7
28	46	3
30	46	2.5
32	46	1
34	46	0.5
36	46	1.8
38	46	2.9
40	46	3.1
42	46	2.5
44	46	1.8
46	46	1.7
48	46	2
50	46	2.2
52	46	2.1
54	46	2
56	46	2.2
58	46	2.6

60	46	3.1
62	46	3.2
64	46	3
66	46	2.4
68	46	1.7
70	46	1.1
72	46	1.1
74	46	1.5
76	46	2.3
78	46	3.1
80	46	3.8
82	46	4.3
84	46	4.8
86	46	5.2
88	46	5.6
90	46	5.9
92	46	6.1
94	46	6
96	46	5.8
98	46	5.3
100	46	4.5
102	46	3.3
104	46	1.6
106	46	-0.6
108	46	-2
110	46	-0.8
112	46	1.6
114	46	3.5
116	46	4.3
118	46	4.2
120	46	2.9
122	46	0.9
124	46	-0.3
126	46	0.9
128	46	2.3
130	46	2.6
132	46	1.6
134	46	0.1
136	46	0.2
138	46	1.6
140	46	2.2
142	46	1
144	46	-1.3
146	46	-1.1
148	46	1.2
150	46	1.9
152	46	0
154	46	-5.1
156	46	-3
158	46	1.3
160	46	1.9
162	46	-1.3
164	46	-11.6
166	46	-1.9
168	46	2.4
170	46	2.4
172	46	-2.1
174	46	-20.2
176	46	-0.8
178	46	2.7
180	46	1.9
-180	48	1.7
-178	48	-4.6
-176	48	-7
-174	48	0.9
-172	48	2.5
-170	48	0.4
-168	48	-5.8
-166	48	-2.5
-164	48	1.7
-162	48	2.2
-160	48	0
-158	48	-2.1
-156	48	0.6
-154	48	2.8
-152	48	3
-150	48	1.7
-148	48	0.6
-146	48	1.4
-144	48	2.5
-142	48	2.8
-140	48	2.3
-138	48	1.8
-136	48	2
-134	48	2.5
-132	48	2.7
-130	48	2.5
-128	48	2.3
-126	48	2.6
-124	48	3.2
-122	48	3.7
-120	48	3.7
-118	48	3.4
-116	48	2.9
-114	48	2.6
-112	48	2.9
-110	48	3.6
-108	48	4.5
-106	48	5.2
-104	48	5.6
-102	48	5.8
-100	48	5.7
-98	48	5.5
-96	48	5.1
-94	48	4.6
-92	48	4
-90	48	3.5
-88	48	3.2
-86	48	3.3
-84	48	3.7
-82	48	4.3
-80	48	4.9
-78	48	5.3
-76	48	5.3
-74	48	4.8
-72	48	3.4
-70	48	1.2
-68	48	-0.8
-66	48	0

-64	48	2.2
-62	48	3.7
-60	48	4
-58	48	3
-56	48	1.1
-54	48	0
-52	48	1.2
-50	48	2.5
-48	48	2.6
-46	48	1.3
-44	48	0.1
-42	48	0.9
-40	48	2.3
-38	48	2.2
-36	48	0.3
-34	48	-1.6
-32	48	0
-30	48	1.8
-28	48	1.1
-26	48	-3
-24	48	-5.1
-22	48	0.2
-20	48	2
-18	48	0
-16	48	-8.1
-14	48	-3.2
-12	48	2.1
-10	48	2.6
-8	48	-1.4
-6	48	-21.2
-4	48	-1.1
-2	48	2.6
0	48	1.6
2	48	-4.9
4	48	-6.9
6	48	1
8	48	2.6
10	48	0.4
12	48	-6.2
14	48	-2.7
16	48	1.6
18	48	2.1
20	48	-0.1
22	48	-2.4
24	48	0.4
26	48	2.7
28	48	2.8
30	48	1.5
32	48	0.3
34	48	1.3
36	48	2.6
38	48	2.8
40	48	2.2
42	48	1.6
44	48	1.8
46	48	2.4
48	48	2.6
50	48	2.4
52	48	2.2
54	48	2.6
56	48	3.3
58	48	3.8
60	48	3.9
62	48	3.5
64	48	2.8
66	48	2.4
68	48	2.7
70	48	3.5
72	48	4.4
74	48	5.2
76	48	5.7
78	48	5.9
80	48	5.8
82	48	5.6
84	48	5.1
86	48	4.6
88	48	4
90	48	3.4
92	48	3.1
94	48	3.2
96	48	3.6
98	48	4.3
100	48	4.9
102	48	5.4
104	48	5.4
106	48	4.9
108	48	3.5
110	48	1.2
112	48	-1
114	48	-0.2
116	48	2.2
118	48	3.7
120	48	4
122	48	2.9
124	48	1
126	48	-0.1
128	48	1.2
130	48	2.5
132	48	2.5
134	48	1.2
136	48	-0.1
138	48	0.9
140	48	2.4
142	48	2.3
144	48	0.4
146	48	-1.8
148	48	0
150	48	1.8
152	48	1.1
154	48	-3
156	48	-5.2
158	48	0.3
160	48	2.1
162	48	0
164	48	-8.2
166	48	-3.2
168	48	2.1
170	48	2.7
172	48	-1.3

174	48	-20.6
176	48	-1.1
178	48	2.6
180	48	1.7
-180	50	1.4
-178	50	-5.5
-176	50	-6.3
-174	50	1
-172	50	2.2
-170	50	-0.9
-168	50	-6.9
-166	50	-0.9
-164	50	2.2
-162	50	1.8
-160	50	-1.1
-158	50	-1.6
-156	50	1.6
-154	50	3
-152	50	2.3
-150	50	0.5
-148	50	0.4
-146	50	2
-144	50	2.8
-142	50	2.5
-140	50	1.7
-138	50	1.7
-136	50	2.4
-134	50	2.8
-132	50	2.6
-130	50	2.2
-128	50	2.3
-126	50	2.8
-124	50	3.4
-122	50	3.6
-120	50	3.2
-118	50	2.6
-116	50	2.3
-114	50	2.7
-112	50	3.4
-110	50	4.1
-108	50	4.5
-106	50	4.6
-104	50	4.5
-102	50	4.1
-100	50	3.7
-98	50	3.3
-96	50	3.1
-94	50	3.1
-92	50	3.2
-90	50	3.2
-88	50	3
-86	50	2.6
-84	50	2.2
-82	50	2.5
-80	50	3.4
-78	50	4.7
-76	50	5.7
-74	50	6.3
-72	50	6.3
-70	50	5.5
-68	50	3.9
-66	50	1.7
-64	50	0.7
-62	50	2
-60	50	3.4
-58	50	3.8
-56	50	3
-54	50	1.3
-52	50	0.3
-50	50	1.3
-48	50	2.2
-46	50	1.8
-44	50	0.2
-42	50	-0.1
-40	50	1.6
-38	50	2.6
-36	50	1.7
-34	50	-0.7
-32	50	-0.5
-30	50	1.9
-28	50	2.3
-26	50	-0.4
-24	50	-6
-22	50	-1.3
-20	50	2
-18	50	1.3
-16	50	-4.9
-14	50	-5.9
-12	50	1.3
-10	50	2.6
-8	50	-0.7
-6	50	-17.6
-4	50	-1.7
-2	50	2.3
0	50	1.3
2	50	-6
4	50	-6
6	50	1.2
8	50	2.2
10	50	-1
12	50	-7.6
14	50	-0.8
16	50	2.3
18	50	1.9
20	50	-1.3
22	50	-1.8
24	50	1.6
26	50	2.9
28	50	2.1
30	50	0.2
32	50	0.3
34	50	2.1
36	50	2.9
38	50	2.4
40	50	1.6
42	50	1.6
44	50	2.4
46	50	3
48	50	2.8

50	50	2.4
52	50	2.4
54	50	3.1
56	50	3.7
58	50	3.7
60	50	3.3
62	50	2.6
64	50	2.2
66	50	2.6
68	50	3.4
70	50	4.2
72	50	4.6
74	50	4.6
76	50	4.4
78	50	4.1
80	50	3.6
82	50	3.3
84	50	3.1
86	50	3.1
88	50	3.2
90	50	3.2
92	50	3
94	50	2.6
96	50	2.3
98	50	2.5
100	50	3.4
102	50	4.7
104	50	5.8
106	50	6.4
108	50	6.4
110	50	5.6
112	50	3.9
114	50	1.7
116	50	0.8
118	50	2.1
120	50	3.5
122	50	3.9
124	50	3
126	50	1.3
128	50	0.5
130	50	1.6
132	50	2.4
134	50	1.9
136	50	0.3
138	50	0
140	50	1.8
142	50	2.9
144	50	1.9
146	50	-0.5
148	50	-0.4
150	50	2
152	50	2.4
154	50	-0.3
156	50	-6
158	50	-1.3
160	50	2
162	50	1.3
164	50	-4.7
166	50	-6.1
168	50	1.2
170	50	2.5
172	50	-0.7
174	50	-18
176	50	-1.8
178	50	2.3
180	50	1.4
-180	52	1.3
-178	52	-6.4
-176	52	-5.5
-174	52	1.3
-172	52	2
-170	52	-2.1
-168	52	-7.1
-166	52	0.1
-164	52	2.4
-162	52	1.1
-160	52	-2.5
-158	52	-1
-156	52	2.2
-154	52	2.9
-152	52	1.6
-150	52	0.4
-148	52	1.5
-146	52	2.8
-144	52	2.9
-142	52	2.1
-140	52	1.6
-138	52	2
-136	52	2.5
-134	52	2.4
-132	52	1.9
-130	52	1.8
-128	52	2.3
-126	52	3
-124	52	3.2
-122	52	2.9
-120	52	2.5
-118	52	2.6
-116	52	3.2
-114	52	4
-112	52	4.4
-110	52	4.3
-108	52	3.8
-106	52	2.8
-104	52	1.7
-102	52	0.8
-100	52	0.5
-98	52	0.9
-96	52	1.7
-94	52	2.7
-92	52	3.6
-90	52	4.3
-88	52	4.5
-86	52	4.3
-84	52	3.5
-82	52	2.1
-80	52	0.6
-78	52	-0.1
-76	52	1

-74	52	2.9
-72	52	4.4
-70	52	5.2
-68	52	5
-66	52	3.9
-64	52	1.9
-62	52	0.4
-60	52	1.3
-58	52	3
-56	52	3.7
-54	52	3.1
-52	52	1.8
-50	52	1.4
-48	52	2.3
-46	52	2.7
-44	52	1.8
-42	52	0.4
-40	52	0.8
-38	52	2.3
-36	52	2.2
-34	52	0.3
-32	52	-1.1
-30	52	1.3
-28	52	2.7
-26	52	1.1
-24	52	-4.2
-22	52	-3
-20	52	1.5
-18	52	1.8
-16	52	-3
-14	52	-9
-12	52	0.3
-10	52	2.3
-8	52	-0.6
-6	52	-1.8
-4	52	-1.8
-2	52	2.3
0	52	1.1
2	52	-7.2
4	52	-5.1
6	52	1.5
8	52	2
10	52	-2.3
12	52	-7
14	52	0.4
16	52	2.6
18	52	1.2
20	52	-2.6
22	52	-1.1
24	52	2.1
26	52	2.8
28	52	1.4
30	52	0.1
32	52	1.5
34	52	3
36	52	3.1
38	52	2.1
40	52	1.5
42	52	2
44	52	2.7
46	52	2.6
48	52	2.1
50	52	1.9
52	52	2.5
54	52	3.2
56	52	3.3
58	52	2.9
60	52	2.4
62	52	2.6
64	52	3.3
66	52	4.1
68	52	4.4
70	52	4.3
72	52	3.7
74	52	2.7
76	52	1.5
78	52	0.7
80	52	0.4
82	52	0.8
84	52	1.6
86	52	2.6
88	52	3.6
90	52	4.3
92	52	4.6
94	52	4.4
96	52	3.7
98	52	2.3
100	52	0.7
102	52	-0.2
104	52	1
106	52	2.9
108	52	4.4
110	52	5.2
112	52	5
114	52	3.9
116	52	1.9
118	52	0.4
120	52	1.4
122	52	3
124	52	3.7
126	52	3
128	52	1.6
130	52	1.2
132	52	2.2
134	52	2.7
136	52	1.8
138	52	0.4
140	52	0.9
142	52	2.4
144	52	2.4
146	52	0.4
148	52	-1
150	52	1.4
152	52	2.9
154	52	1.4
156	52	-4.1
158	52	-3.2
160	52	1.5
162	52	1.9

164	52	-2.7
166	52	-9.3
168	52	0.3
170	52	2.4
172	52	-0.3
174	52	-16.7
176	52	-2
178	52	2.3
180	52	1.3
-180	54	1.3
-178	54	-7
-176	54	-4
-174	54	1.9
-172	54	1.9
-170	54	-3.1
-168	54	-5.8
-166	54	0.9
-164	54	2.3
-162	54	0
-160	54	-3
-158	54	0.4
-156	54	2.8
-154	54	2.7
-152	54	1.2
-150	54	1.1
-148	54	2.6
-146	54	3.2
-144	54	2.7
-142	54	2
-140	54	2.3
-138	54	2.9
-136	54	2.8
-134	54	2.2
-132	54	2
-130	54	2.6
-128	54	3.4
-126	54	3.5
-124	54	3.1
-122	54	2.6
-120	54	2.9
-118	54	3.7
-116	54	4.6
-114	54	5
-112	54	4.8
-110	54	4.3
-108	54	3.7
-106	54	3.5
-104	54	3.8
-102	54	4.4
-100	54	4.9
-98	54	5.1
-96	54	5.1
-94	54	4.9
-92	54	4.7
-90	54	4.6
-88	54	4.7
-86	54	4.9
-84	54	5
-82	54	4.8
-80	54	4.1
-78	54	2.7
-76	54	0.6
-74	54	-1.1
-72	54	0.2
-70	54	2.7
-68	54	4.5
-66	54	5
-64	54	4.2
-62	54	2.2
-60	54	0.1
-58	54	0.6
-56	54	2.4
-54	54	3
-52	54	2.3
-50	54	1.1
-48	54	1.4
-46	54	2.5
-44	54	2.6
-42	54	1.5
-40	54	0.7
-38	54	1.8
-36	54	2.5
-34	54	1.3
-32	54	-1.5
-30	54	-0.7
-28	54	1.8
-26	54	1.5
-24	54	-2.8
-22	54	-5.3
-20	54	0.5
-18	54	1.6
-16	54	-2.2
-14	54	-11.1
-12	54	-0.3
-10	54	2.2
-8	54	-0.4
-6	54	-19.3
-4	54	-1.7
-2	54	2.4
0	54	1.1
2	54	-7.6
4	54	-3.5
6	54	2
8	54	2
10	54	-3.1
12	54	-5.5
14	54	1
16	54	2.4
18	54	0.2
20	54	-3
22	54	0.4
24	54	2.8
26	54	2.7
28	54	1.2
30	54	1.1
32	54	2.6
34	54	3.2
36	54	2.6
38	54	1.7

40	54	2
42	54	2.8
44	54	2.9
46	54	2.4
48	54	2.1
50	54	2.7
52	54	3.4
54	54	3.6
56	54	3.1
58	54	2.6
60	54	2.9
62	54	3.8
64	54	4.7
66	54	5
68	54	4.8
70	54	4.2
72	54	3.5
74	54	3.3
76	54	3.7
78	54	4.3
80	54	4.8
82	54	5
84	54	5
86	54	4.9
88	54	4.7
90	54	4.7
92	54	4.8
94	54	5
96	54	5.1
98	54	4.9
100	54	4.2
102	54	2.8
104	54	0.7
106	54	-1.2
108	54	0
110	54	2.7
112	54	4.5
114	54	5
116	54	4.3
118	54	2.3
120	54	0.2
122	54	0.8
124	54	2.6
126	54	3.2
128	54	2.4
130	54	1.1
132	54	1.3
134	54	2.5
136	54	2.7
138	54	1.4
140	54	0.5
142	54	1.7
144	54	2.6
146	54	1.4
148	54	-1.6
150	54	-0.8
152	54	1.8
154	54	1.5
156	54	-2.9
158	54	-5.6
160	54	0.5
162	54	1.8
164	54	-1.9
166	54	-11.6
168	54	-0.3
170	54	2.4
172	54	-0.1
174	54	-17.1
176	54	-1.8
178	54	2.5
180	54	1.3
-180	56	1.1
-178	56	-7.2
-176	56	-2.9
-174	56	2
-172	56	1.4
-170	56	-4.5
-168	56	-3.3
-166	56	1.7
-164	56	2.1
-162	56	-1
-160	56	-2
-158	56	1.7
-156	56	3.1
-154	56	2
-152	56	0.5
-150	56	1.7
-148	56	3.1
-146	56	3.1
-144	56	2.2
-142	56	2
-140	56	2.9
-138	56	3.3
-136	56	2.9
-134	56	2.3
-132	56	2.7
-130	56	3.4
-128	56	3.7
-126	56	3.2
-124	56	2.6
-122	56	2.7
-120	56	3.5
-118	56	4.3
-116	56	4.4
-114	56	3.8
-112	56	2.9
-110	56	2.1
-108	56	2.3
-106	56	3.3
-104	56	4.5
-102	56	5.4
-100	56	6
-98	56	6.1
-96	56	5.8
-94	56	5.2
-92	56	4.6
-90	56	4
-88	56	3.8
-86	56	4.1

-84	56	4.9
-82	56	5.7
-80	56	6.2
-78	56	6.2
-76	56	5.4
-74	56	3.7
-72	56	1.6
-70	56	1.3
-68	56	3.2
-66	56	5
-64	56	5.6
-62	56	4.9
-60	56	3
-58	56	1.2
-56	56	1.6
-54	56	2.9
-52	56	3
-50	56	1.9
-48	56	0.9
-46	56	1.7
-44	56	2.4
-42	56	1.8
-40	56	0.3
-38	56	0.9
-36	56	2.5
-34	56	2.4
-32	56	-0.2
-30	56	-2
-28	56	0.9
-26	56	1.8
-24	56	-1.2
-22	56	-7.1
-20	56	-0.6
-18	56	1.7
-16	56	-1
-14	56	-11.2
-12	56	-1
-10	56	2.2
-8	56	-0.1
-6	56	-16.8
-4	56	-1.9
-2	56	2.4
0	56	1
2	56	-7.5
4	56	-2.6
6	56	2.1
8	56	1.4
10	56	-4.5
12	56	-3.1
14	56	1.8
16	56	2.2
18	56	-1
20	56	-2
22	56	1.8
24	56	3.1
26	56	2.1
28	56	0.6
30	56	1.7
32	56	3
34	56	3
36	56	2
38	56	1.9
40	56	2.8
42	56	3.3
44	56	3
46	56	2.4
48	56	2.7
50	56	3.5
52	56	3.7
54	56	3.2
56	56	2.6
58	56	2.7
60	56	3.5
62	56	4.2
64	56	4.3
66	56	3.8
68	56	2.8
70	56	2.1
72	56	2.2
74	56	3.2
76	56	4.4
78	56	5.4
80	56	5.9
82	56	6
84	56	5.8
86	56	5.2
88	56	4.6
90	56	4.1
92	56	3.8
94	56	4.1
96	56	4.8
98	56	5.7
100	56	6.3
102	56	6.3
104	56	5.5
106	56	3.8
108	56	1.6
110	56	1.2
112	56	3.2
114	56	5.1
116	56	5.7
118	56	4.9
120	56	3.1
122	56	1.3
124	56	1.9
126	56	3.1
128	56	3.2
130	56	1.9
132	56	0.9
134	56	1.8
136	56	2.6
138	56	1.8
140	56	0.2
142	56	0.8
144	56	2.6
146	56	2.4
148	56	-0.3
150	56	-2.1
152	56	1

154	56	1.8
156	56	-1.4
158	56	-7.7
160	56	-0.6
162	56	1.7
164	56	-1
166	56	-11.8
168	56	-1
170	56	2.3
172	56	0.1
174	56	-15.6
176	56	-2.1
178	56	2.3
180	56	1.1
-180	58	0.5
-178	58	-9
-176	58	-2.2
-174	58	2
-172	58	0.7
-170	58	-5.9
-168	58	-1.5
-166	58	2.4
-164	58	1.9
-162	58	-1.9
-160	58	-1.1
-158	58	2.4
-156	58	2.9
-154	58	1.2
-152	58	0.3
-150	58	2.2
-148	58	3.2
-146	58	2.6
-144	58	1.6
-142	58	2
-140	58	2.9
-138	58	2.9
-136	58	2.4
-134	58	2.5
-132	58	3.3
-130	58	3.8
-128	58	3.6
-126	58	3.1
-124	58	3.2
-122	58	4.1
-120	58	4.9
-118	58	4.9
-116	58	4.2
-114	58	3.2
-112	58	2.7
-110	58	3.2
-108	58	4.1
-106	58	4.8
-104	58	5.2
-102	58	5.3
-100	58	5.2
-98	58	5
-96	58	4.8
-94	58	4.6
-92	58	4.5
-90	58	4.5
-88	58	4.5
-86	58	4.4
-84	58	4.5
-82	58	5.1
-80	58	5.9
-78	58	6.5
-76	58	6.7
-74	58	6.1
-72	58	4.5
-70	58	2.1
-68	58	0.6
-66	58	2.2
-64	58	4.2
-62	58	5
-60	58	4.5
-58	58	2.8
-56	58	1.5
-54	58	2.3
-52	58	3.2
-50	58	3
-48	58	1.9
-46	58	1.7
-44	58	2.5
-42	58	2.4
-40	58	0.8
-38	58	0.2
-36	58	2
-34	58	2.7
-32	58	0.7
-30	58	-2
-28	58	0.7
-26	58	2.4
-24	58	0.4
-22	58	-6.4
-20	58	-1.5
-18	58	1.9
-16	58	0.1
-14	58	-9.4
-12	58	-2
-10	58	2
-8	58	0.2
-6	58	-14.2
-4	58	-2.5
-2	58	2
0	58	0.4
2	58	-9.3
4	58	-2
6	58	2.1
8	58	0.6
10	58	-6.1
12	58	-1.4
14	58	2.4
16	58	1.8
18	58	-2.2
20	58	-1
22	58	2.5
24	58	3
26	58	1.2
28	58	0.4

30	58	2.3
32	58	3.2
34	58	2.5
36	58	1.5
38	58	2
40	58	2.9
42	58	2.9
44	58	2.3
46	58	2.4
48	58	3.3
50	58	3.8
52	58	3.5
54	58	3.1
56	58	3.3
58	58	4.1
60	58	4.8
62	58	4.9
64	58	4.2
66	58	3.3
68	58	2.8
70	58	3.2
72	58	4.1
74	58	4.9
76	58	5.3
78	58	5.3
80	58	5.1
82	58	4.9
84	58	4.6
86	58	4.5
88	58	4.5
90	58	4.6
92	58	4.7
94	58	4.6
96	58	4.6
98	58	5.1
100	58	5.9
102	58	6.6
104	58	6.7
106	58	6.1
108	58	4.5
110	58	2
112	58	0.6
114	58	2.3
116	58	4.4
118	58	5.1
120	58	4.5
122	58	2.8
124	58	1.6
126	58	2.4
128	58	3.3
130	58	2.9
132	58	1.7
134	58	1.7
136	58	2.5
138	58	2.3
140	58	0.7
142	58	0.3
144	58	2.1
146	58	2.7
148	58	0.6
150	58	-2
152	58	0.8
154	58	2.5
156	58	0.5
158	58	-6.2
160	58	-1.6
162	58	1.9
164	58	0.1
166	58	-9.8
168	58	-2
170	58	2
172	58	0.3
174	58	-13.6
176	58	-2.5
178	58	2
180	58	0.5
-180	60	0.4
-178	60	-10.2
-176	60	-1.8
-174	60	2.1
-172	60	0.2
-170	60	-7.2
-168	60	-0.9
-166	60	2.6
-164	60	1.4
-162	60	-2.7
-160	60	-0.4
-158	60	2.7
-156	60	2.6
-154	60	0.6
-152	60	0.8
-150	60	2.6
-148	60	2.9
-146	60	1.9
-144	60	1.5
-142	60	2.4
-140	60	3
-138	60	2.5
-136	60	2.2
-134	60	3
-132	60	3.8
-130	60	3.8
-128	60	3.1
-126	60	2.9
-124	60	3.8
-122	60	4.8
-120	60	5
-118	60	4.4
-116	60	3.4
-114	60	3.1
-112	60	4
-110	60	5.2
-108	60	5.9
-106	60	5.9
-104	60	5.4
-102	60	4.5
-100	60	3.6
-98	60	3
-96	60	2.8

-94	60	3.2
-92	60	3.8
-90	60	4.4
-88	60	4.7
-86	60	4.6
-84	60	4.2
-82	60	3.7
-80	60	3.7
-78	60	4.6
-76	60	5.6
-74	60	6.3
-72	60	6.2
-70	60	5.2
-68	60	3
-66	60	1.1
-64	60	2.1
-62	60	4.2
-60	60	5
-58	60	4.3
-56	60	2.6
-54	60	1.6
-52	60	2.4
-50	60	2.9
-48	60	2.1
-46	60	1.4
-44	60	2.1
-42	60	2.7
-40	60	1.8
-38	60	0.5
-36	60	1.7
-34	60	2.9
-32	60	1.7
-30	60	-1.4
-28	60	0
-26	60	2.4
-24	60	1.3
-22	60	-4.7
-20	60	-2.6
-18	60	1.7
-16	60	0.6
-14	60	-8.5
-12	60	-2.9
-10	60	1.9
-8	60	0.4
-6	60	-12.9
-4	60	-2.6
-2	60	2.1
0	60	0.4
2	60	-10.1
4	60	-1.8
6	60	2
8	60	0
10	60	-7.6
12	60	-0.7
14	60	2.6
16	60	1.3
18	60	-2.9
20	60	-0.1
22	60	2.8
24	60	2.6
26	60	0.6
28	60	0.8
30	60	2.7
32	60	3
34	60	1.9
36	60	1.6
38	60	2.6
40	60	3.1
42	60	2.5
44	60	2.2
46	60	3
48	60	3.9
50	60	3.8
52	60	3.1
54	60	2.9
56	60	3.9
58	60	4.8
60	60	5
62	60	4.4
64	60	3.4
66	60	3.1
68	60	4
70	60	5.2
72	60	6
74	60	6
76	60	5.5
78	60	4.6
80	60	3.5
82	60	2.7
84	60	2.6
86	60	3
88	60	3.8
90	60	4.5
92	60	4.9
94	60	4.8
96	60	4.2
98	60	3.6
100	60	3.6
102	60	4.4
104	60	5.6
106	60	6.4
108	60	6.3
110	60	5.2
112	60	3
114	60	1.1
116	60	2.4
118	60	4.4
120	60	5.1
122	60	4.3
124	60	2.5
126	60	1.6
128	60	2.4
130	60	2.8
132	60	2.1
134	60	1.4
136	60	2.1
138	60	2.7
140	60	1.7
142	60	0.5

144	60	1.7
146	60	2.8
148	60	1.5
150	60	-1.6
152	60	-0.1
154	60	2.4
156	60	1.3
158	60	-4.5
160	60	-2.7
162	60	1.6
164	60	0.5
166	60	-8.8
168	60	-3
170	60	1.9
172	60	0.5
174	60	-12.4
176	60	-2.7
178	60	2
180	60	0.4
-180	62	0.7
-178	62	-8.8
-176	62	-2
-174	62	1.9
-172	62	-0.1
-170	62	-7
-168	62	-0.7
-166	62	2.1
-164	62	0.4
-162	62	-3.4
-160	62	0.3
-158	62	2.6
-156	62	1.9
-154	62	0.2
-152	62	1.4
-150	62	3
-148	62	2.7
-146	62	1.7
-144	62	2.1
-142	62	3.1
-140	62	3.1
-138	62	2.2
-136	62	2
-134	62	2.9
-132	62	3.3
-130	62	2.8
-128	62	2.1
-126	62	2.7
-124	62	3.8
-122	62	4.2
-120	62	3.6
-118	62	2.3
-116	62	1.7
-114	62	2.9
-112	62	4.5
-110	62	5.6
-108	62	5.9
-106	62	5.6
-104	62	4.9
-102	62	4.1
-100	62	3.7
-98	62	3.7
-96	62	3.6
-94	62	3.6
-92	62	3.7
-90	62	3.9
-88	62	4.1
-86	62	4.2
-84	62	3.9
-82	62	3.2
-80	62	2.3
-78	62	1.9
-76	62	2.9
-74	62	4.6
-72	62	5.9
-70	62	6.3
-68	62	5.4
-66	62	3.5
-64	62	2
-62	62	3.2
-60	62	4.8
-58	62	5.2
-56	62	4.2
-54	62	2.6
-52	62	2.4
-50	62	3.1
-48	62	2.7
-46	62	1.6
-44	62	1.7
-42	62	2.7
-40	62	2.3
-38	62	0.5
-36	62	0.6
-34	62	2.5
-32	62	2.3
-30	62	-0.4
-28	62	-1.1
-26	62	1.8
-24	62	1.6
-22	62	-3.4
-20	62	-4.2
-18	62	1.1
-16	62	0.8
-14	62	-7.2
-12	62	-4.1
-10	62	1.7
-8	62	0.7
-6	62	-10.9
-4	62	-3
-2	62	2.1
0	62	0.5
2	62	-9.5
4	62	-1.9
6	62	1.9
8	62	-0.2
10	62	-7.3
12	62	-0.7
14	62	2.1
16	62	0.3
18	62	-3.5

20	62	0.4
22	62	2.7
24	62	1.9
26	62	0.1
28	62	1.4
30	62	3
32	62	2.7
34	62	1.7
36	62	2.2
38	62	3.3
40	62	3.2
42	62	2.2
44	62	2
46	62	3
48	62	3.4
50	62	2.8
52	62	2.1
54	62	2.7
56	62	3.8
58	62	4.3
60	62	3.7
62	62	2.4
64	62	1.9
66	62	3
68	62	4.7
70	62	5.7
72	62	6.1
74	62	5.7
76	62	4.9
78	62	4.2
80	62	3.7
82	62	3.7
84	62	3.7
86	62	3.7
88	62	3.7
90	62	3.8
92	62	4
94	62	4.1
96	62	3.8
98	62	3.1
100	62	2.2
102	62	1.7
104	62	2.8
106	62	4.6
108	62	5.9
110	62	6.3
112	62	5.4
114	62	3.4
116	62	2
118	62	3.3
120	62	4.9
122	62	5.2
124	62	4.1
126	62	2.5
128	62	2.4
130	62	3.1
132	62	2.7
134	62	1.6
136	62	1.7
138	62	2.6
140	62	2.3
142	62	0.5
144	62	0.6
146	62	2.4
148	62	2.3
150	62	-0.6
152	62	-1.3
154	62	1.7
156	62	1.7
158	62	-3.2
160	62	-4.4
162	62	1
164	62	0.7
166	62	-7.5
168	62	-4.1
170	62	1.8
172	62	0.9
174	62	-10.3
176	62	-3.2
178	62	2.1
180	62	0.7
-180	64	0.5
-178	64	-8.1
-176	64	-1.8
-174	64	1.7
-172	64	-0.5
-170	64	-5.8
-168	64	-0.1
-166	64	1.8
-164	64	-0.8
-162	64	-3.3
-160	64	1.1
-158	64	2.7
-156	64	1.3
-154	64	0.1
-152	64	2
-150	64	3
-148	64	2.2
-146	64	1.4
-144	64	2.4
-142	64	3.2
-140	64	2.7
-138	64	1.9
-136	64	2.4
-134	64	3.3
-132	64	3.3
-130	64	2.9
-128	64	3.1
-126	64	4.1
-124	64	4.7
-122	64	4.3
-120	64	3.2
-118	64	2.6
-116	64	3.5
-114	64	4.8
-112	64	5.6
-110	64	5.7
-108	64	5.2
-106	64	4.5

-104	64	4.2
-102	64	4.5
-100	64	5.1
-98	64	5.6
-96	64	5.7
-94	64	5.4
-92	64	4.8
-90	64	4.2
-88	64	4
-86	64	4.2
-84	64	4.5
-82	64	4.7
-80	64	4.4
-78	64	3.4
-76	64	2.5
-74	64	2.8
-72	64	4.4
-70	64	5.8
-68	64	6
-66	64	5
-64	64	2.8
-62	64	1.6
-60	64	3
-58	64	4.3
-56	64	4.2
-54	64	2.9
-52	64	2.2
-50	64	2.8
-48	64	3.1
-46	64	2.3
-44	64	2
-42	64	2.9
-40	64	3
-38	64	1.2
-36	64	-0.2
-34	64	1.7
-32	64	2.4
-30	64	-0.1
-28	64	-2.6
-26	64	0.9
-24	64	1.9
-22	64	-2.1
-20	64	-6.4
-18	64	0.5
-16	64	1.3
-14	64	-4.8
-12	64	-6
-10	64	1.2
-8	64	0.8
-6	64	-9.1
-4	64	-4
-2	64	1.7
0	64	0.4
2	64	-8.6
4	64	-1.5
6	64	1.9
8	64	-0.4
10	64	-6.3
12	64	-0.3
14	64	1.8
16	64	-0.9
18	64	-3.4
20	64	1.1
22	64	2.7
24	64	1.3
26	64	0
28	64	1.9
30	64	2.9
32	64	2.2
34	64	1.4
36	64	2.4
38	64	3.3
40	64	2.8
42	64	2
44	64	2.4
46	64	3.2
48	64	3.3
50	64	2.8
52	64	3.1
54	64	4.1
56	64	4.7
58	64	4.3
60	64	3.2
62	64	2.5
64	64	3.4
66	64	4.7
68	64	5.6
70	64	5.7
72	64	5.3
74	64	4.7
76	64	4.3
78	64	4.5
80	64	5.1
82	64	5.6
84	64	5.7
86	64	5.4
88	64	4.8
90	64	4.1
92	64	3.8
94	64	3.9
96	64	4.4
98	64	4.6
100	64	4.4
102	64	3.5
104	64	2.5
106	64	2.8
108	64	4.4
110	64	5.8
112	64	6
114	64	5
116	64	2.8
118	64	1.6
120	64	3.1
122	64	4.4
124	64	4.2
126	64	2.9
128	64	2.2
130	64	2.9
132	64	3.1

134	64	2.3
136	64	2
138	64	2.9
140	64	3
142	64	1.2
144	64	-0.2
146	64	1.8
148	64	2.5
150	64	0
152	64	-2.7
154	64	0.9
156	64	2
158	64	-1.9
160	64	-6.1
162	64	0.6
164	64	1.3
166	64	-4.9
168	64	-6.1
170	64	1.3
172	64	1
174	64	-8.6
176	64	-4.1
178	64	1.7
180	64	0.5
-180	66	0
-178	66	-8.4
-176	66	-1.2
-174	66	1.8
-172	66	-1
-170	66	-5.3
-168	66	0.6
-166	66	2
-164	66	-1.1
-162	66	-2.5
-160	66	1.8
-158	66	2.7
-156	66	0.9
-154	66	0.2
-152	66	2.2
-150	66	2.8
-148	66	1.8
-146	66	1.7
-144	66	2.9
-142	66	3.2
-140	66	2.5
-138	66	2.5
-136	66	3.5
-134	66	3.9
-132	66	3.4
-130	66	3.1
-128	66	4.1
-126	66	5.1
-124	66	5.2
-122	66	4.2
-120	66	3.2
-118	66	3.8
-116	66	5.2
-114	66	6.1
-112	66	6.1
-110	66	5.3
-108	66	4.2
-106	66	3.6
-104	66	3.9
-102	66	4.7
-100	66	5.4
-98	66	5.8
-96	66	5.9
-94	66	5.7
-92	66	5.3
-90	66	4.8
-88	66	4.3
-86	66	4.3
-84	66	4.8
-82	66	5.4
-80	66	5.7
-78	66	5.2
-76	66	3.7
-74	66	2.1
-72	66	2.3
-70	66	4.2
-68	66	5.6
-66	66	5.6
-64	66	4.3
-62	66	2.2
-60	66	1.8
-58	66	3.3
-56	66	4.1
-54	66	3.4
-52	66	2.1
-50	66	2
-48	66	2.5
-46	66	2
-44	66	1.3
-42	66	2.1
-40	66	2.8
-38	66	1.6
-36	66	-0.1
-34	66	1.3
-32	66	2.5
-30	66	0.6
-28	66	-3.2
-26	66	0.2
-24	66	2
-22	66	-0.9
-20	66	-7.3
-18	66	0.1
-16	66	1.7
-14	66	-3.1
-12	66	-8.2
-10	66	0.7
-8	66	0.9
-6	66	-7.9
-4	66	-4.7
-2	66	1.4
0	66	0.1
2	66	-8.5
4	66	-1.2
6	66	1.9
8	66	-0.9

10	66	-5.6
12	66	0.6
14	66	2
16	66	-1.1
18	66	-2.5
20	66	1.7
22	66	2.7
24	66	0.8
26	66	0.1
28	66	2.2
30	66	2.8
32	66	1.8
34	66	1.7
36	66	2.8
38	66	3.2
40	66	2.6
42	66	2.6
44	66	3.4
46	66	3.9
48	66	3.4
50	66	3.2
52	66	4.1
54	66	5.2
56	66	5.2
58	66	4.3
60	66	3.2
62	66	3.8
64	66	5.2
66	66	6
68	66	6
70	66	5.2
72	66	4.1
74	66	3.6
76	66	3.9
78	66	4.8
80	66	5.5
82	66	5.9
84	66	5.9
86	66	5.7
88	66	5.3
90	66	4.8
92	66	4.3
94	66	4.2
96	66	4.7
98	66	5.3
100	66	5.6
102	66	5.2
104	66	3.9
106	66	2.2
108	66	2.3
110	66	4.2
112	66	5.6
114	66	5.7
116	66	4.3
118	66	2.1
120	66	1.6
122	66	3.4
124	66	4.1
126	66	3.4
128	66	2.1
130	66	2.1
132	66	2.6
134	66	2.1
136	66	1.4
138	66	2.2
140	66	2.9
142	66	1.7
144	66	0
146	66	1.5
148	66	2.7
150	66	0.8
152	66	-3
154	66	0.3
156	66	2.1
158	66	-0.9
160	66	-7.3
162	66	0.2
164	66	1.8
166	66	-2.9
168	66	-8.6
170	66	0.6
172	66	0.8
174	66	-8
176	66	-4.7
178	66	1.4
180	66	0
-180	68	0.2
-178	68	-9.1
-176	68	-1.2
-174	68	1.8
-172	68	-1.2
-170	68	-5.7
-168	68	0.8
-166	68	1.9
-164	68	-1.3
-162	68	-1.7
-160	68	2.1
-158	68	2.6
-156	68	0.8
-154	68	1.1
-152	68	2.9
-150	68	3
-148	68	2
-146	68	2.2
-144	68	3.1
-142	68	2.8
-140	68	2
-138	68	2.4
-136	68	3.3
-134	68	3.2
-132	68	2.4
-130	68	2.6
-128	68	4.1
-126	68	5
-124	68	4.5
-122	68	3.3
-120	68	3.1
-118	68	4.7
-116	68	6.1

-114	68	6.6
-112	68	6.1
-110	68	5
-108	68	4.3
-106	68	4.5
-104	68	5.2
-102	68	5.6
-100	68	5.6
-98	68	5.5
-96	68	5.4
-94	68	5.5
-92	68	5.7
-90	68	5.8
-88	68	5.8
-86	68	5.5
-84	68	5.4
-82	68	5.7
-80	68	6.2
-78	68	6.3
-76	68	5.5
-74	68	3.8
-72	68	1.9
-70	68	2.3
-68	68	4.4
-66	68	5.6
-64	68	5.3
-62	68	3.8
-60	68	2.2
-58	68	2.9
-56	68	4.2
-54	68	4.1
-52	68	3.1
-50	68	2.5
-48	68	2.9
-46	68	2.6
-44	68	1.5
-42	68	1.5
-40	68	2.3
-38	68	1.8
-36	68	-0.1
-34	68	0.7
-32	68	2.4
-30	68	1.3
-28	68	-2.2
-26	68	-0.3
-24	68	2
-22	68	-0.2
-20	68	-7.5
-18	68	-0.7
-16	68	1.6
-14	68	-2.5
-12	68	-10.1
-10	68	0.4
-8	68	1
-6	68	-7.2
-4	68	-5
-2	68	1.4
0	68	0.1
2	68	-9
4	68	-1.1
6	68	1.8
8	68	-1.3
10	68	-5.5
12	68	0.8
14	68	2
16	68	-1.2
18	68	-1.7
20	68	2.1
22	68	2.6
24	68	0.7
26	68	1
28	68	2.9
30	68	2.9
32	68	1.9
34	68	2.1
36	68	3.2
38	68	2.9
40	68	2
42	68	2.3
44	68	3.3
46	68	3.3
48	68	2.4
50	68	2.6
52	68	4
54	68	4.9
56	68	4.5
58	68	3.2
60	68	3.1
62	68	4.7
64	68	6.1
66	68	6.6
68	68	6
70	68	4.9
72	68	4.2
74	68	4.5
76	68	5.2
78	68	5.6
80	68	5.7
82	68	5.5
84	68	5.4
86	68	5.4
88	68	5.6
90	68	5.8
92	68	5.8
94	68	5.5
96	68	5.4
98	68	5.6
100	68	6.1
102	68	6.2
104	68	5.5
106	68	3.9
108	68	2
110	68	2.3
112	68	4.5
114	68	5.7
116	68	5.5
118	68	3.8
120	68	2.1
122	68	2.9

124	68	4.3
126	68	4.2
128	68	3
130	68	2.4
132	68	2.9
134	68	2.7
136	68	1.5
138	68	1.4
140	68	2.5
142	68	2
144	68	0
146	68	0.7
148	68	2.4
150	68	1.4
152	68	-2.2
154	68	-0.2
156	68	2.1
158	68	0
160	68	-7.3
162	68	-0.6
164	68	1.8
166	68	-2.3
168	68	-10.4
170	68	0.3
172	68	1
174	68	-7.2
176	68	-5
178	68	1.5
180	68	0.2
-180	70	0.6
-178	70	-8.4
-176	70	-1.5
-174	70	1.7
-172	70	-1.2
-170	70	-5.7
-168	70	0.4
-166	70	1.4
-164	70	-1.7
-162	70	-1.1
-160	70	2.2
-158	70	2.2
-156	70	0.4
-154	70	1.5
-152	70	3.1
-150	70	2.7
-148	70	1.5
-146	70	2.2
-144	70	3.1
-142	70	2.7
-140	70	1.8
-138	70	2.4
-136	70	3.2
-134	70	3
-132	70	2.5
-130	70	3.3
-128	70	4.4
-126	70	4.6
-124	70	3.7
-122	70	2.7
-120	70	3.5
-118	70	5
-116	70	5.9
-114	70	5.8
-112	70	4.9
-110	70	4.1
-108	70	4.3
-106	70	5.2
-104	70	5.8
-102	70	5.8
-100	70	5.2
-98	70	4.5
-96	70	4.2
-94	70	4.4
-92	70	5.1
-90	70	5.7
-88	70	6
-86	70	5.8
-84	70	5.3
-82	70	5
-80	70	5.4
-78	70	6
-76	70	6.2
-74	70	5.6
-72	70	4.1
-70	70	2.7
-68	70	3.5
-66	70	5.3
-64	70	6
-62	70	5.3
-60	70	3.6
-58	70	2.9
-56	70	3.6
-54	70	3.9
-52	70	3.1
-50	70	2.4
-48	70	2.8
-46	70	3
-44	70	2.1
-42	70	1.9
-40	70	2.9
-38	70	2.8
-36	70	1
-34	70	0.4
-32	70	2.2
-30	70	1.9
-28	70	-1.6
-26	70	-1.3
-24	70	1.7
-22	70	0.4
-20	70	-6.5
-18	70	-1.8
-16	70	1.3
-14	70	-2.2
-12	70	-11.4
-10	70	0.1
-8	70	1.1
-6	70	-6.4
-4	70	-5.4
-2	70	1.5

0	70	0.4
2	70	-8.5
4	70	-1.6
6	70	1.6
8	70	-1.4
10	70	-5.4
12	70	0.5
14	70	1.4
16	70	-1.8
18	70	-1.1
20	70	2.2
22	70	2.2
24	70	0.5
26	70	1.4
28	70	3
30	70	2.6
32	70	1.5
34	70	2.3
36	70	3.2
38	70	2.7
40	70	1.8
42	70	2.4
44	70	3.3
46	70	3.1
48	70	2.5
50	70	3.2
52	70	4.4
54	70	4.6
56	70	3.6
58	70	2.6
60	70	3.5
62	70	5.1
64	70	6
66	70	5.9
68	70	5
70	70	4.2
72	70	4.4
74	70	5.4
76	70	5.9
78	70	5.9
80	70	5.3
82	70	4.5
84	70	4.1
86	70	4.4
88	70	5.1
90	70	5.8
92	70	6
94	70	5.7
96	70	5.2
98	70	4.9
100	70	5.3
102	70	5.9
104	70	6.2
106	70	5.7
108	70	4.2
110	70	2.7
112	70	3.5
114	70	5.3
116	70	6.1
118	70	5.3
120	70	3.5
122	70	2.8
124	70	3.8
126	70	4.1
128	70	3.2
130	70	2.4
132	70	2.9
134	70	3.1
136	70	2.1
138	70	1.7
140	70	2.9
142	70	2.9
144	70	0.9
146	70	0.1
148	70	2.1
150	70	1.9
152	70	-1.6
154	70	-1.6
156	70	1.5
158	70	0.3
160	70	-6.7
162	70	-1.6
164	70	1.5
166	70	-1.9
168	70	-11.7
170	70	0.2
172	70	1.3
174	70	-6.2
176	70	-5.3
178	70	1.6
180	70	0.6
-180	72	0.5
-178	72	-7.2
-176	72	-1.8
-174	72	1.4
-172	72	-1.4
-170	72	-4.7
-168	72	0.4
-166	72	0.9
-164	72	-2.3
-162	72	-0.9
-160	72	2
-158	72	1.5
-156	72	-0.1
-154	72	1.5
-152	72	2.9
-150	72	2.4
-148	72	1.6
-146	72	2.6
-144	72	3.4
-142	72	2.9
-140	72	2.5
-138	72	3.1
-136	72	3.5
-134	72	3.1
-132	72	3
-130	72	4
-128	72	4.7
-126	72	4.3

-124	72	3
-122	72	2.8
-120	72	4.2
-118	72	5.3
-116	72	5.4
-114	72	4.6
-112	72	3.7
-110	72	3.7
-108	72	4.7
-106	72	5.8
-104	72	6.2
-102	72	5.9
-100	72	5.2
-98	72	4.4
-96	72	4.1
-94	72	4.3
-92	72	4.9
-90	72	5.5
-88	72	5.9
-86	72	5.7
-84	72	5
-82	72	4.2
-80	72	4.2
-78	72	5
-76	72	6.1
-74	72	6.4
-72	72	5.7
-70	72	3.9
-68	72	2.6
-66	72	3.9
-64	72	5.4
-62	72	5.5
-60	72	4.3
-58	72	2.9
-56	72	3
-54	72	3.5
-52	72	3.1
-50	72	2.3
-48	72	2.5
-46	72	2.7
-44	72	2
-42	72	1.4
-40	72	2.4
-38	72	2.9
-36	72	1.4
-34	72	0.3
-32	72	2.1
-30	72	2.4
-28	72	-0.9
-26	72	-2.7
-24	72	1.1
-22	72	0.8
-20	72	-5.8
-18	72	-2.9
-16	72	1.3
-14	72	-1.1
-12	72	-1.2
-10	72	-0.5
-8	72	1.3
-6	72	-4.9
-4	72	-7.4
-2	72	0.9
0	72	0.3
2	72	-7.9
4	72	-1.8
6	72	1.3
8	72	-1.6
10	72	-4.8
12	72	0.5
14	72	1
16	72	-2.5
18	72	-1.1
20	72	2
22	72	1.5
24	72	-0.2
26	72	1.3
28	72	2.8
30	72	2.4
32	72	1.6
34	72	2.6
36	72	3.4
38	72	3
40	72	2.5
42	72	3.1
44	72	3.5
46	72	3
48	72	3
50	72	4
52	72	4.7
54	72	4.2
56	72	2.8
58	72	2.7
60	72	4.2
62	72	5.4
64	72	5.6
66	72	4.7
68	72	3.7
70	72	3.7
72	72	4.8
74	72	5.8
76	72	6.2
78	72	5.9
80	72	5.2
82	72	4.4
84	72	4.1
86	72	4.2
88	72	4.8
90	72	5.4
92	72	5.8
94	72	5.7
96	72	5
98	72	4.3
100	72	4.2
102	72	5
104	72	6
106	72	6.4
108	72	5.7
110	72	3.8
112	72	2.4

114	72	3.9
116	72	5.5
118	72	5.6
120	72	4.3
122	72	2.8
124	72	3
126	72	3.7
128	72	3.2
130	72	2.2
132	72	2.4
134	72	2.8
136	72	2
138	72	1.2
140	72	2.3
142	72	2.9
144	72	1.3
146	72	0
148	72	2
150	72	2.4
152	72	-1
154	72	-2.9
156	72	1.2
158	72	0.9
160	72	-6
162	72	-3
164	72	1.4
166	72	-1
168	72	-12.2
170	72	-0.3
172	72	1.5
174	72	-4.7
176	72	-7.2
178	72	1.1
180	72	0.5
-180	74	0.2
-178	74	-7.4
-176	74	-1.7
-174	74	1.2
-172	74	-1.7
-170	74	-4
-168	74	0.8
-166	74	1
-164	74	-2.2
-162	74	-0.5
-160	74	2.1
-158	74	1.6
-156	74	0.4
-154	74	1.8
-152	74	2.9
-150	74	2.2
-148	74	1.7
-146	74	2.6
-144	74	3
-142	74	2.5
-140	74	2.4
-138	74	3.1
-136	74	3.1
-134	74	2.6
-132	74	3.1
-130	74	4.4
-128	74	4.9
-126	74	4.1
-124	74	2.9
-122	74	3.7
-120	74	5.3
-118	74	6.1
-116	74	5.7
-114	74	4.4
-112	74	3.5
-110	74	4
-108	74	5.2
-106	74	6
-104	74	6.2
-102	74	5.8
-100	74	5.3
-98	74	5.1
-96	74	5
-94	74	4.9
-92	74	4.9
-90	74	5.2
-88	74	5.4
-86	74	5.4
-84	74	5.1
-82	74	4.4
-80	74	3.9
-78	74	4.5
-76	74	5.8
-74	74	6.8
-72	74	6.6
-70	74	5.2
-68	74	2.9
-66	74	2.7
-64	74	4.4
-62	74	5.2
-60	74	4.4
-58	74	2.7
-56	74	2.2
-54	74	3
-52	74	3.1
-50	74	2.4
-48	74	2.3
-46	74	2.8
-44	74	2.4
-42	74	1.3
-40	74	1.7
-38	74	2.4
-36	74	1.2
-34	74	-0.5
-32	74	1.2
-30	74	2.1
-28	74	-0.6
-26	74	-3.1
-24	74	1.2
-22	74	1.6
-20	74	-4.2
-18	74	-3.9
-16	74	1.4
-14	74	-0.1
-12	74	-11.7

-10	74	-1.3
-8	74	1.2
-6	74	-4.1
-4	74	-8.8
-2	74	0.6
0	74	0.2
2	74	-7.6
4	74	-1.8
6	74	1.2
8	74	-1.9
10	74	-4.3
12	74	0.8
14	74	1.1
16	74	-2.4
18	74	-0.8
20	74	2.1
22	74	1.6
24	74	0.2
26	74	1.7
28	74	2.9
30	74	2.3
32	74	1.8
34	74	2.7
36	74	3.1
38	74	2.6
40	74	2.6
42	74	3.2
44	74	3.2
46	74	2.6
48	74	3.1
50	74	4.5
52	74	5
54	74	4.1
56	74	2.9
58	74	3.7
60	74	5.4
62	74	6.1
64	74	5.7
66	74	4.4
68	74	3.6
70	74	4.2
72	74	5.3
74	74	6
76	74	6.2
78	74	5.8
80	74	5.3
82	74	5
84	74	4.9
86	74	4.9
88	74	4.9
90	74	5.1
92	74	5.4
94	74	5.5
96	74	5.2
98	74	4.5
100	74	4
102	74	4.4
104	74	5.7
106	74	6.7
108	74	6.7
110	74	5.2
112	74	2.8
114	74	2.5
116	74	4.4
118	74	5.2
120	74	4.4
122	74	2.6
124	74	2.1
126	74	3.1
128	74	3.2
130	74	2.4
132	74	2.2
134	74	2.9
136	74	2.5
138	74	1.3
140	74	1.7
142	74	2.5
144	74	1.2
146	74	-0.7
148	74	1.2
150	74	2.2
152	74	-0.6
154	74	-3.3
156	74	1.2
158	74	1.6
160	74	-4.1
162	74	-4.2
164	74	1.2
166	74	-0.4
168	74	-12.7
170	74	-1.2
172	74	1.2
174	74	-4.3
176	74	-8.5
178	74	0.7
180	74	0.2
-180	76	0.2
-178	76	-8.1
-176	76	-1.6
-174	76	1.3
-172	76	-1.9
-170	76	-4.4
-168	76	0.9
-166	76	1.2
-164	76	-1.8
-162	76	0.1
-160	76	2.4
-158	76	1.9
-156	76	0.8
-154	76	2.1
-152	76	2.6
-150	76	1.7
-148	76	1.6
-146	76	2.6
-144	76	2.5
-142	76	1.7
-140	76	2
-138	76	3
-136	76	3

-134	76	2.5
-132	76	3.2
-130	76	4.5
-128	76	4.8
-126	76	3.8
-124	76	3.1
-122	76	4.4
-120	76	6
-118	76	6.5
-116	76	5.7
-114	76	4.4
-112	76	4
-110	76	4.9
-108	76	5.7
-106	76	5.9
-104	76	5.6
-102	76	5.3
-100	76	5.2
-98	76	5.6
-96	76	5.9
-94	76	5.7
-92	76	5.1
-90	76	4.7
-88	76	4.6
-86	76	5
-84	76	5.2
-82	76	5
-80	76	4.5
-78	76	4.3
-76	76	5.2
-74	76	6.4
-72	76	6.8
-70	76	5.9
-68	76	3.8
-66	76	2.4
-64	76	3.6
-62	76	4.9
-60	76	4.8
-58	76	3.4
-56	76	2.4
-54	76	3
-52	76	3.3
-50	76	2.6
-48	76	2.1
-46	76	2.6
-44	76	2.6
-42	76	1.4
-40	76	1.5
-38	76	2.6
-36	76	2.1
-34	76	0
-32	76	0.8
-30	76	2.1
-28	76	0
-26	76	-3.5
-24	76	0.7
-22	76	1.7
-20	76	-3.2
-18	76	-4.6
-16	76	1.3
-14	76	0.2
-12	76	-11.4
-10	76	-1.7
-8	76	1.3
-6	76	-3.7
-4	76	-9
-2	76	0.7
0	76	0.3
2	76	-8.4
4	76	-1.9
6	76	1.2
8	76	-2
10	76	-4.5
12	76	0.9
14	76	1.2
16	76	-1.8
18	76	0
20	76	2.5
22	76	1.9
24	76	0.8
26	76	2
28	76	2.6
30	76	1.8
32	76	1.6
34	76	2.5
36	76	2.6
38	76	2
40	76	2.3
42	76	3.1
44	76	3
46	76	2.4
48	76	3.3
50	76	4.6
52	76	4.9
54	76	3.8
56	76	3
58	76	4.4
60	76	6
62	76	6.5
64	76	5.7
66	76	4.4
68	76	4.1
70	76	5
72	76	5.7
74	76	5.8
76	76	5.6
78	76	5.3
80	76	5.3
82	76	5.6
84	76	5.9
86	76	5.7
88	76	5.1
90	76	4.6
92	76	4.7
94	76	5
96	76	5.3
98	76	5.1
100	76	4.5
102	76	4.2

104	76	5.2
106	76	6.4
108	76	6.8
110	76	5.9
112	76	3.7
114	76	2.2
116	76	3.5
118	76	4.9
120	76	4.8
122	76	3.4
124	76	2.3
126	76	3
128	76	3.3
130	76	2.6
132	76	2
134	76	2.6
136	76	2.6
138	76	1.5
140	76	1.6
142	76	2.7
144	76	2.1
146	76	0
148	76	0.9
150	76	2.2
152	76	0.1
154	76	-3.2
156	76	0.7
158	76	1.7
160	76	-3.1
162	76	-4.4
164	76	1.3
166	76	0.1
168	76	-12.3
170	76	-1.8
172	76	1.2
174	76	-3.9
176	76	-8.7
178	76	0.7
180	76	0.2
-180	78	0.7
-178	78	-7.8
-176	78	-1.9
-174	78	1.5
-172	78	-1.7
-170	78	-4.9
-168	78	0.6
-166	78	1
-164	78	-1.9
-162	78	0
-160	78	2.2
-158	78	1.4
-156	78	0.6
-154	78	2.2
-152	78	2.7
-150	78	1.8
-148	78	1.9
-146	78	2.9
-144	78	2.8
-142	78	1.9
-140	78	2.3
-138	78	3
-136	78	2.8
-134	78	2.4
-132	78	3.4
-130	78	4.4
-128	78	4.3
-126	78	3.2
-124	78	3.1
-122	78	4.8
-120	78	6.2
-118	78	6.5
-116	78	5.6
-114	78	4.7
-112	78	5
-110	78	5.9
-108	78	6.3
-106	78	6
-104	78	5.3
-102	78	4.9
-100	78	5.2
-98	78	5.9
-96	78	6.4
-94	78	6.4
-92	78	5.7
-90	78	4.8
-88	78	4.4
-86	78	4.9
-84	78	5.6
-82	78	6
-80	78	5.6
-78	78	4.9
-76	78	4.9
-74	78	5.9
-72	78	6.7
-70	78	6.4
-68	78	4.8
-66	78	2.6
-64	78	2.6
-62	78	4.2
-60	78	4.8
-58	78	4.1
-56	78	2.9
-54	78	3
-52	78	3.4
-50	78	3
-48	78	2.4
-46	78	2.8
-44	78	2.9
-42	78	1.8
-40	78	1.5
-38	78	2.7
-36	78	2.7
-34	78	0.8
-32	78	1.2
-30	78	2.8
-28	78	1.5
-26	78	-2.4
-24	78	0
-22	78	1.6

-20	78	-2.3
-18	78	-6.1
-16	78	0.5
-14	78	-0.1
-12	78	-11
-10	78	-1.7
-8	78	1.4
-6	78	-3.4
-4	78	-9.4
-2	78	0.8
0	78	0.6
2	78	-8
4	78	-1.7
6	78	1.5
8	78	-1.7
10	78	-4.9
12	78	0.6
14	78	1
16	78	-1.8
18	78	0.1
20	78	2.2
22	78	1.5
24	78	0.6
26	78	2.1
28	78	2.7
30	78	1.8
32	78	1.9
34	78	2.9
36	78	2.9
38	78	2.1
40	78	2.3
42	78	3
44	78	2.8
46	78	2.5
48	78	3.3
50	78	4.4
52	78	4.2
54	78	3.1
56	78	3.1
58	78	4.8
60	78	6.2
62	78	6.4
64	78	5.6
66	78	4.8
68	78	5.2
70	78	6.1
72	78	6.4
74	78	6
76	78	5.2
78	78	4.9
80	78	5.2
82	78	6
84	78	6.5
86	78	6.4
88	78	5.7
90	78	4.8
92	78	4.4
94	78	4.9
96	78	5.6
98	78	6
100	78	5.7
102	78	5
104	78	5
106	78	5.9
108	78	6.7
110	78	6.4
112	78	4.8
114	78	2.5
116	78	2.5
118	78	4.2
120	78	4.9
122	78	4
124	78	2.8
126	78	2.9
128	78	3.3
130	78	2.9
132	78	2.3
134	78	2.7
136	78	2.8
138	78	1.7
140	78	1.4
142	78	2.8
144	78	2.7
146	78	0.7
148	78	1.1
150	78	2.8
152	78	1.5
154	78	-2.5
156	78	0
158	78	1.7
160	78	-2.3
162	78	-5.8
164	78	0.7
166	78	0.1
168	78	-10.8
170	78	-1.9
172	78	1.4
174	78	-3.5
176	78	-9.2
178	78	0.9
180	78	0.7
-180	80	0.8
-178	80	-7.2
-176	80	-2.1
-174	80	1.4
-172	80	-1.5
-170	80	-4.7
-168	80	0.5
-166	80	0.7
-164	80	-2.6
-162	80	-0.4
-160	80	2
-158	80	1.3
-156	80	0.6
-154	80	2.3
-152	80	3
-150	80	2.2
-148	80	2.3
-146	80	3.2

-144	80	3.1
-142	80	2.5
-140	80	2.7
-138	80	3.1
-136	80	2.7
-134	80	2.8
-132	80	3.9
-130	80	4.5
-128	80	3.9
-126	80	2.7
-124	80	3.2
-122	80	4.9
-120	80	6
-118	80	5.9
-116	80	5
-114	80	4.5
-112	80	5.3
-110	80	6.3
-108	80	6.5
-106	80	5.8
-104	80	4.8
-102	80	4.4
-100	80	4.8
-98	80	5.7
-96	80	6.3
-94	80	6.3
-92	80	5.7
-90	80	4.7
-88	80	4.1
-86	80	4.4
-84	80	5.3
-82	80	6
-80	80	6
-78	80	5.1
-76	80	4.4
-74	80	5.1
-72	80	6.2
-70	80	6.6
-68	80	5.7
-66	80	3.7
-64	80	2.5
-62	80	3.7
-60	80	4.9
-58	80	4.6
-56	80	3.3
-54	80	2.7
-52	80	3.2
-50	80	3
-48	80	2.5
-46	80	2.8
-44	80	3
-42	80	2.3
-40	80	1.8
-38	80	2.8
-36	80	2.8
-34	80	0.9
-32	80	0.7
-30	80	2.6
-28	80	1.7
-26	80	-2.2
-24	80	-0.4
-22	80	1.8
-20	80	-1.2
-18	80	-6.3
-16	80	0.3
-14	80	0.4
-12	80	-8.6
-10	80	-2.5
-8	80	1.3
-6	80	-2.8
-4	80	-11.3
-2	80	0.5
0	80	0.7
2	80	-6.9
4	80	-1.9
6	80	1.4
8	80	-1.5
10	80	-4.6
12	80	0.5
14	80	0.6
16	80	-2.7
18	80	-0.2
20	80	2.1
22	80	1.3
24	80	0.5
26	80	2.2
28	80	2.9
30	80	2.2
32	80	2.2
34	80	3.1
36	80	3
38	80	2.5
40	80	2.7
42	80	3.1
44	80	2.8
46	80	2.8
48	80	3.8
50	80	4.5
52	80	3.8
54	80	2.6
56	80	3.1
58	80	5
60	80	6
62	80	5.9
64	80	4.9
66	80	4.5
68	80	5.4
70	80	6.4
72	80	6.5
74	80	5.8
76	80	4.8
78	80	4.4
80	80	4.8
82	80	5.7
84	80	6.4
86	80	6.4
88	80	5.7
90	80	4.7
92	80	4.1

94	80	4.4
96	80	5.3
98	80	6
100	80	6
102	80	5.2
104	80	4.5
106	80	5.1
108	80	6.2
110	80	6.5
112	80	5.6
114	80	3.5
116	80	2.3
118	80	3.7
120	80	5
122	80	4.7
124	80	3.3
126	80	2.7
128	80	3.1
130	80	3
132	80	2.4
134	80	2.7
136	80	3.1
138	80	2.3
140	80	1.8
142	80	2.8
144	80	2.9
146	80	0.8
148	80	0.5
150	80	2.6
152	80	1.8
154	80	-2.5
156	80	-0.5
158	80	1.8
160	80	-1.2
162	80	-6.5
164	80	0.4
166	80	0.5
168	80	-8.3
170	80	-2.6
172	80	1.3
174	80	-2.9
176	80	-11
178	80	0.7
180	80	0.8
-180	82	0.5
-178	82	-7
-176	82	-2.5
-174	82	1.2
-172	82	-1.6
-170	82	-4.4
-168	82	0.8
-166	82	1
-164	82	-2.2
-162	82	0
-160	82	2.3
-158	82	1.6
-156	82	0.5
-154	82	1.9
-152	82	2.6
-150	82	2.1
-148	82	2.3
-146	82	3
-144	82	2.9
-142	82	2.8
-140	82	3.3
-138	82	3.6
-136	82	3
-134	82	3
-132	82	4.2
-130	82	4.6
-128	82	3.6
-126	82	2.2
-124	82	3
-122	82	4.8
-120	82	5.7
-118	82	5.3
-116	82	4.2
-114	82	4.1
-112	82	5.4
-110	82	6.5
-108	82	6.6
-106	82	6
-104	82	5
-102	82	4.6
-100	82	5
-98	82	5.8
-96	82	6.4
-94	82	6.5
-92	82	6
-90	82	5.2
-88	82	4.5
-86	82	4.5
-84	82	5.2
-82	82	6
-80	82	6
-78	82	5.2
-76	82	4
-74	82	3.9
-72	82	5.2
-70	82	6
-68	82	5.7
-66	82	4
-64	82	2.4
-62	82	3.3
-60	82	4.7
-58	82	4.8
-56	82	3.7
-54	82	3
-52	82	3.4
-50	82	3.4
-48	82	2.7
-46	82	2.6
-44	82	3
-42	82	2.3
-40	82	1.5
-38	82	2.2
-36	82	2.6
-34	82	0.9
-32	82	0.2

-30	82	2
-28	82	1.4
-26	82	-2.8
-24	82	-1.1
-22	82	1.7
-20	82	-1
-18	82	-6.5
-16	82	0.4
-14	82	1.1
-12	82	-6.5
-10	82	-3.6
-8	82	1.1
-6	82	-2.2
-4	82	-14.4
-2	82	-0.1
0	82	0.4
2	82	-7
4	82	-2.2
6	82	1.3
8	82	-1.6
10	82	-4.3
12	82	0.7
14	82	0.9
16	82	-2.2
18	82	0.1
20	82	2.2
22	82	1.3
24	82	0.3
26	82	2
28	82	2.7
30	82	2.1
32	82	2.3
34	82	3
36	82	3
38	82	2.8
40	82	3.4
42	82	3.6
44	82	3
46	82	3.1
48	82	4.2
50	82	4.6
52	82	3.6
54	82	2.2
56	82	3
58	82	4.9
60	82	5.7
62	82	5.3
64	82	4.3
66	82	4.2
68	82	5.4
70	82	6.5
72	82	6.6
74	82	5.9
76	82	5
78	82	4.6
80	82	5
82	82	5.8
84	82	6.4
86	82	6.4
88	82	6
90	82	5.2
92	82	4.5
94	82	4.5
96	82	5.3
98	82	6
100	82	6.2
102	82	5.4
104	82	4.1
106	82	4
108	82	5.1
110	82	6
112	82	5.6
114	82	3.9
116	82	2.2
118	82	3.2
120	82	4.8
122	82	4.8
124	82	3.7
126	82	2.9
128	82	3.4
130	82	3.3
132	82	2.6
134	82	2.6
136	82	3.1
138	82	2.5
140	82	1.6
142	82	2.3
144	82	2.7
146	82	0.9
148	82	0.1
150	82	2
152	82	1.5
154	82	-3
156	82	-1.1
158	82	1.7
160	82	-1
162	82	-7
164	82	0.5
166	82	1.2
168	82	-6.2
170	82	-3.8
172	82	1.2
174	82	-2
176	82	-15.3
178	82	-0.1
180	82	0.5
-180	84	0.4
-178	84	-7.2
-176	84	-2.7
-174	84	1.2
-172	84	-1.5
-170	84	-4.5
-168	84	0.9
-166	84	1.4
-164	84	-1.6
-162	84	0
-160	84	2.2
-158	84	1.5
-156	84	0.6

-154	84	2.1
-152	84	2.6
-150	84	2
-148	84	2.3
-146	84	3.1
-144	84	2.9
-142	84	2.7
-140	84	3.4
-138	84	3.7
-136	84	3.2
-134	84	3.3
-132	84	4.5
-130	84	4.9
-128	84	3.9
-126	84	2.6
-124	84	3.6
-122	84	5.3
-120	84	5.9
-118	84	5.2
-116	84	4.1
-114	84	4.1
-112	84	5.5
-110	84	6.6
-108	84	6.8
-106	84	6.1
-104	84	5.2
-102	84	4.9
-100	84	5.2
-98	84	5.8
-96	84	6.3
-94	84	6.4
-92	84	6.1
-90	84	5.4
-88	84	4.8
-86	84	4.7
-84	84	5.3
-82	84	6
-80	84	6.3
-78	84	5.6
-76	84	4.2
-74	84	3.6
-72	84	4.7
-70	84	5.8
-68	84	5.8
-66	84	4.6
-64	84	2.8
-62	84	3
-60	84	4.5
-58	84	4.8
-56	84	3.8
-54	84	3.1
-52	84	3.4
-50	84	3.4
-48	84	2.5
-46	84	2.4
-44	84	2.9
-42	84	2.4
-40	84	1.2
-38	84	1.7
-36	84	2.3
-34	84	0.8
-32	84	-0.3
-30	84	1.6
-28	84	1.5
-26	84	-2.2
-24	84	-1.3
-22	84	1.6
-20	84	-0.7
-18	84	-7
-16	84	0
-14	84	1.1
-12	84	-6.2
-10	84	-4.5
-8	84	1
-6	84	-1.9
-4	84	-16.3
-2	84	-0.3
0	84	0.4
2	84	-7
4	84	-2.4
6	84	1.3
8	84	-1.6
10	84	-4.4
12	84	0.9
14	84	1.4
16	84	-1.5
18	84	0
20	84	2.1
22	84	1.4
24	84	0.8
26	84	2.3
28	84	2.7
30	84	2.1
32	84	2.4
34	84	3.2
36	84	2.9
38	84	2.6
40	84	3.4
42	84	3.8
44	84	3.2
46	84	3.4
48	84	4.6
50	84	5
52	84	4
54	84	2.6
56	84	3.6
58	84	5.3
60	84	5.9
62	84	5.3
64	84	4.1
66	84	4.2
68	84	5.6
70	84	6.7
72	84	6.8
74	84	6.1
76	84	5.2
78	84	4.8
80	84	5.1
82	84	5.7

84	84	6.2
86	84	6.4
88	84	6.1
90	84	5.5
92	84	5
94	84	4.8
96	84	5.3
98	84	6.1
100	84	6.3
102	84	5.7
104	84	4.3
106	84	3.7
108	84	4.6
110	84	5.7
112	84	5.8
114	84	4.5
116	84	2.6
118	84	2.9
120	84	4.4
122	84	4.7
124	84	3.7
126	84	3
128	84	3.4
130	84	3.3
132	84	2.6
134	84	2.6
136	84	3.2
138	84	2.6
140	84	1.2
142	84	1.7
144	84	2.4
146	84	0.9
148	84	-0.4
150	84	1.6
152	84	1.6
154	84	-2.1
156	84	-1.5
158	84	1.5
160	84	-0.7
162	84	-7.2
164	84	-0.1
166	84	0.9
168	84	-6.3
170	84	-4.5
172	84	1
174	84	-1.8
176	84	-16.7
178	84	-0.4
180	84	0.4
-180	86	0.7
-178	86	-6.3
-176	86	-3.1
-174	86	1.2
-172	86	-1.2
-170	86	-5.5
-168	86	0
-166	86	0.6
-164	86	-2.3
-162	86	-0.3
-160	86	2
-158	86	1.4
-156	86	0.9
-154	86	2.3
-152	86	2.7
-150	86	1.9
-148	86	2.2
-146	86	3.1
-144	86	2.9
-142	86	2.5
-140	86	3.2
-138	86	3.7
-136	86	3.3
-134	86	3.6
-132	86	4.7
-130	86	5.1
-128	86	4.1
-126	86	3.1
-124	86	4.1
-122	86	5.6
-120	86	6
-118	86	5.1
-116	86	4
-114	86	4.3
-112	86	5.7
-110	86	6.7
-108	86	6.7
-106	86	6
-104	86	5.3
-102	86	5
-100	86	5.3
-98	86	5.8
-96	86	6.2
-94	86	6.3
-92	86	6.1
-90	86	5.6
-88	86	5.1
-86	86	4.9
-84	86	5.3
-82	86	6.1
-80	86	6.5
-78	86	6
-76	86	4.7
-74	86	3.6
-72	86	4.3
-70	86	5.7
-68	86	6.1
-66	86	5.2
-64	86	3.4
-62	86	3
-60	86	4.4
-58	86	5
-56	86	4.3
-54	86	3.2
-52	86	3.1
-50	86	3.1
-48	86	2.3
-46	86	2.1
-44	86	2.7
-42	86	2.3

-40	86	1.2
-38	86	1.9
-36	86	2.7
-34	86	1.3
-32	86	-0.4
-30	86	1.5
-28	86	1.9
-26	86	-1.5
-24	86	-2.1
-22	86	1.2
-20	86	-0.4
-18	86	-7
-16	86	-0.8
-14	86	0.7
-12	86	-6
-10	86	-5.1
-8	86	0.8
-6	86	-2
-4	86	-16.8
-2	86	-0.2
0	86	0.8
2	86	-6.1
4	86	-3
6	86	1.2
8	86	-1.2
10	86	-5.2
12	86	0.1
14	86	0.7
16	86	-2.1
18	86	-0.2
20	86	2.1
22	86	1.4
24	86	0.9
26	86	2.4
28	86	2.7
30	86	2
32	86	2.3
34	86	3.1
36	86	2.9
38	86	2.5
40	86	3.2
42	86	3.6
44	86	3.3
46	86	3.7
48	86	4.9
50	86	5.2
52	86	4.1
54	86	3.1
56	86	4.2
58	86	5.7
60	86	6
62	86	5.1
64	86	4
66	86	4.3
68	86	5.7
70	86	6.7
72	86	6.7
74	86	6
76	86	5.2
78	86	5.1
80	86	5.4
82	86	5.8
84	86	6.1
86	86	6.2
88	86	6
90	86	5.6
92	86	5.2
94	86	5
96	86	5.4
98	86	6.1
100	86	6.5
102	86	6
104	86	4.7
106	86	3.6
108	86	4.3
110	86	5.7
112	86	6.1
114	86	5.1
116	86	3.3
118	86	2.9
120	86	4.3
122	86	4.8
124	86	4.1
126	86	3.1
128	86	3.1
130	86	3.1
132	86	2.3
134	86	2.2
136	86	2.9
138	86	2.5
140	86	1.2
142	86	1.7
144	86	2.7
146	86	1.4
148	86	-0.3
150	86	1.5
152	86	1.8
154	86	-1.4
156	86	-2
158	86	1.2
160	86	-0.4
162	86	-6.8
164	86	-0.8
166	86	0.6
168	86	-6.2
170	86	-5
172	86	0.8
174	86	-1.8
176	86	-17.5
178	86	-0.4
180	86	0.7
-180	88	0.6
-178	88	-5.8
-176	88	-4
-174	88	0.7
-172	88	-1.5
-170	88	-6.1
-168	88	-0.6
-166	88	0.1

-164	88	-2.8
-162	88	-0.7
-160	88	1.7
-158	88	0.9
-156	88	0.2
-154	88	2
-152	88	2.6
-150	88	1.8
-148	88	2
-146	88	2.9
-144	88	3
-142	88	2.7
-140	88	3.1
-138	88	3.3
-136	88	2.9
-134	88	3.4
-132	88	4.6
-130	88	4.9
-128	88	3.8
-126	88	2.9
-124	88	4.2
-122	88	5.7
-120	88	5.9
-118	88	5
-116	88	3.9
-114	88	4.3
-112	88	5.8
-110	88	6.7
-108	88	6.7
-106	88	6
-104	88	5.3
-102	88	5.2
-100	88	5.5
-98	88	5.9
-96	88	6.2
-94	88	6.2
-92	88	6.1
-90	88	5.7
-88	88	5.3
-86	88	5.1
-84	88	5.4
-82	88	6.2
-80	88	6.7
-78	88	6.4
-76	88	5.2
-74	88	3.9
-72	88	4.2
-70	88	5.6
-68	88	6.3
-66	88	5.6
-64	88	3.7
-62	88	2.8
-60	88	4.1
-58	88	5
-56	88	4.3
-54	88	3
-52	88	2.9
-50	88	3.1
-48	88	2.5
-46	88	2.1
-44	88	2.7
-42	88	2.6
-40	88	1.5
-38	88	1.8
-36	88	2.7
-34	88	1.6
-32	88	-0.2
-30	88	1.5
-28	88	2.1
-26	88	-1.1
-24	88	-3
-22	88	0.8
-20	88	-0.1
-18	88	-6.7
-16	88	-1.4
-14	88	0.6
-12	88	-4.9
-10	88	-5.5
-8	88	0.7
-6	88	-1.4
-4	88	-22.8
-2	88	-0.9
0	88	0.6
2	88	-5.6
4	88	-3.8
6	88	0.8
8	88	-1.4
10	88	-6
12	88	-0.5
14	88	0.2
16	88	-2.6
18	88	-0.6
20	88	1.7
22	88	1
24	88	0.2
26	88	1.9
28	88	2.6
30	88	2
32	88	2.2
34	88	3
36	88	3
38	88	2.7
40	88	3
42	88	3.2
44	88	3
46	88	3.5
48	88	4.7
50	88	4.9
52	88	3.8
54	88	2.9
56	88	4.3
58	88	5.8
60	88	6
62	88	5
64	88	3.8
66	88	4.3
68	88	5.7
70	88	6.7
72	88	6.7

74	88	6
76	88	5.3
78	88	5.2
80	88	5.5
82	88	5.8
84	88	6.1
86	88	6.2
88	88	6.1
90	88	5.8
92	88	5.4
94	88	5.2
96	88	5.5
98	88	6.2
100	88	6.7
102	88	6.4
104	88	5.2
106	88	3.9
108	88	4.2
110	88	5.6
112	88	6.3
114	88	5.5
116	88	3.6
118	88	2.7
120	88	4.1
122	88	4.9
124	88	4.2
126	88	2.9
128	88	2.9
130	88	3.1
132	88	2.6
134	88	2.2
136	88	2.8
138	88	2.6
140	88	1.5
142	88	1.7
144	88	2.6
146	88	1.6
148	88	0
150	88	1.6
152	88	2.1
154	88	-1.2
156	88	-3.1
158	88	0.9
160	88	0
162	88	-6.8
164	88	-1.6
166	88	0.6
168	88	-4.8
170	88	-5.6
172	88	0.6
174	88	-1.4
176	88	-24.6
178	88	-1
180	88	0.6
-180	90	0.2
-178	90	-5.7
-176	90	-4.5
-174	90	0.4
-172	90	-1.5
-170	90	-5.4
-168	90	-0.3
-166	90	0.4
-164	90	-2.9
-162	90	-1.4
-160	90	1.3
-158	90	0.8
-156	90	-0.1
-154	90	1.5
-152	90	2.3
-150	90	1.7
-148	90	1.8
-146	90	2.5
-144	90	2.6
-142	90	2.6
-140	90	3.1
-138	90	3.2
-136	90	2.8
-134	90	3.3
-132	90	4.6
-130	90	4.9
-128	90	3.8
-126	90	2.8
-124	90	4
-122	90	5.6
-120	90	5.9
-118	90	4.9
-116	90	3.6
-114	90	3.9
-112	90	5.4
-110	90	6.5
-108	90	6.6
-106	90	6
-104	90	5.3
-102	90	5.2
-100	90	5.5
-98	90	5.8
-96	90	6
-94	90	6.1
-92	90	5.9
-90	90	5.6
-88	90	5.3
-86	90	5
-84	90	5.2
-82	90	5.9
-80	90	6.4
-78	90	6.2
-76	90	5.1
-74	90	3.8
-72	90	3.8
-70	90	5.2
-68	90	6.1
-66	90	5.6
-64	90	3.8
-62	90	2.7
-60	90	4
-58	90	4.8
-56	90	4.1
-54	90	2.7
-52	90	2.5

-50	90	3.1
-48	90	2.6
-46	90	2
-44	90	2.7
-42	90	2.9
-40	90	1.9
-38	90	1.7
-36	90	2.4
-34	90	1.6
-32	90	-0.2
-30	90	1.1
-28	90	1.8
-26	90	-1.5
-24	90	-3.3
-22	90	0.8
-20	90	0
-18	90	-6.9
-16	90	-1.4
-14	90	1.1
-12	90	-3.6
-10	90	-6.8
-8	90	0.5
-6	90	-0.9
-4	90	-22.5
-2	90	-2.1
0	90	0.2
2	90	-5.6
4	90	-4.6
6	90	0.4
8	90	-1.5
10	90	-5.5
12	90	-0.3
14	90	0.5
16	90	-2.6
18	90	-1.4
20	90	1.4
22	90	0.9
24	90	-0.1
26	90	1.4
28	90	2.4
30	90	1.9
32	90	1.8
34	90	2.6
36	90	2.6
38	90	2.6
40	90	3
42	90	3.2
44	90	2.8
46	90	3.3
48	90	4.5
50	90	4.8
52	90	3.7
54	90	2.7
56	90	4
58	90	5.6
60	90	5.9
62	90	4.9
64	90	3.6
66	90	3.9
68	90	5.3
70	90	6.4
72	90	6.5
74	90	6
76	90	5.4
78	90	5.2
80	90	5.4
82	90	5.7
84	90	5.9
86	90	6
88	90	5.9
90	90	5.7
92	90	5.3
94	90	5
96	90	5.2
98	90	5.9
100	90	6.4
102	90	6.2
104	90	5.1
106	90	3.7
108	90	3.8
110	90	5.2
112	90	6
114	90	5.5
116	90	3.7
118	90	2.7
120	90	3.9
122	90	4.8
124	90	4.1
126	90	2.7
128	90	2.7
130	90	3.1
132	90	2.6
134	90	2.1
136	90	2.7
138	90	2.8
140	90	1.8
142	90	1.6
144	90	2.4
146	90	1.5
148	90	-0.2
150	90	1.1
152	90	1.7
154	90	-1.5
156	90	-3.3
158	90	0.8
160	90	0
162	90	-6.9
164	90	-1.5
166	90	1.1
168	90	-3.6
170	90	-6.7
172	90	0.5
174	90	-0.8
176	90	-22.6
178	90	-2
180	90	0.2
-180	92	0.6
-178	92	-5.2
-176	92	-5.1

-174	92	0.5
-172	92	-1.1
-170	92	-6
-168	92	-0.3
-166	92	0.9
-164	92	-1.9
-162	92	-1.1
-160	92	1.6
-158	92	1.3
-156	92	0.1
-154	92	1.3
-152	92	2.1
-150	92	1.6
-148	92	1.7
-146	92	2.4
-144	92	2.4
-142	92	2.4
-140	92	3.2
-138	92	3.6
-136	92	3.1
-134	92	3.3
-132	92	4.6
-130	92	5.1
-128	92	4.2
-126	92	2.9
-124	92	3.9
-122	92	5.5
-120	92	6
-118	92	5.2
-116	92	3.8
-114	92	3.8
-112	92	5.2
-110	92	6.3
-108	92	6.6
-106	92	6.2
-104	92	5.7
-102	92	5.5
-100	92	5.7
-98	92	5.9
-96	92	6.1
-94	92	6.2
-92	92	6.2
-90	92	6
-88	92	5.6
-86	92	5.3
-84	92	5.3
-82	92	5.9
-80	92	6.4
-78	92	6.2
-76	92	5.1
-74	92	3.6
-72	92	3.5
-70	92	4.7
-68	92	5.6
-66	92	5.2
-64	92	3.6
-62	92	2.6
-60	92	3.7
-58	92	4.6
-56	92	4.1
-54	92	3
-52	92	2.9
-50	92	3.1
-48	92	2.5
-46	92	1.9
-44	92	2.5
-42	92	2.7
-40	92	1.6
-38	92	1.2
-36	92	2.1
-34	92	1.6
-32	92	-0.2
-30	92	0.8
-28	92	1.4
-26	92	-1.5
-24	92	-2.8
-22	92	0.8
-20	92	0
-18	92	-6.8
-16	92	-1.5
-14	92	1.1
-12	92	-3.4
-10	92	-7.9
-8	92	0.1
-6	92	-1
-4	92	-21.9
-2	92	-2.1
0	92	0.3
2	92	-5.5
4	92	-5
6	92	0.5
8	92	-1.1
10	92	-5.9
12	92	-0.4
14	92	0.9
16	92	-1.7
18	92	-1.1
20	92	1.6
22	92	1.4
24	92	0.3
26	92	1.3
28	92	2.1
30	92	1.6
32	92	1.6
34	92	2.4
36	92	2.4
38	92	2.4
40	92	3.2
42	92	3.6
44	92	3.2
46	92	3.3
48	92	4.5
50	92	5
52	92	4.2
54	92	3
56	92	3.9
58	92	5.5
60	92	6
62	92	5.2

64	92	3.9
66	92	3.8
68	92	5.1
70	92	6.3
72	92	6.6
74	92	6.2
76	92	5.7
78	92	5.5
80	92	5.6
82	92	5.8
84	92	6.1
86	92	6.2
88	92	6.2
90	92	6
92	92	5.7
94	92	5.3
96	92	5.4
98	92	6
100	92	6.5
102	92	6.2
104	92	5.1
106	92	3.6
108	92	3.4
110	92	4.8
112	92	5.6
114	92	5.2
116	92	3.5
118	92	2.5
120	92	3.7
122	92	4.6
124	92	4.1
126	92	3
128	92	2.9
130	92	3.2
132	92	2.6
134	92	2
136	92	2.5
138	92	2.6
140	92	1.4
142	92	1.2
144	92	2.1
146	92	1.5
148	92	-0.2
150	92	0.8
152	92	1.4
154	92	-1.5
156	92	-3
158	92	0.8
160	92	0.1
162	92	-6.9
164	92	-1.5
166	92	1.2
168	92	-3.2
170	92	-8
172	92	0.2
174	92	-0.9
176	92	-22.8
178	92	-1.8
180	92	0.6
-180	94	0.8
-178	94	-4.8
-176	94	-5.5
-174	94	0.7
-172	94	-0.8
-170	94	-7
-168	94	-0.5
-166	94	1.3
-164	94	-1.2
-162	94	-1.1
-160	94	1.6
-158	94	1.5
-156	94	0.5
-154	94	1.7
-152	94	2.5
-150	94	1.9
-148	94	1.9
-146	94	2.8
-144	94	2.7
-142	94	2.3
-140	94	2.9
-138	94	3.5
-136	94	3.4
-134	94	3.5
-132	94	4.6
-130	94	5.3
-128	94	4.6
-126	94	3.4
-124	94	4
-122	94	5.7
-120	94	6.4
-118	94	5.8
-116	94	4.6
-114	94	4.2
-112	94	5.1
-110	94	6.2
-108	94	6.5
-106	94	6.1
-104	94	5.5
-102	94	5.3
-100	94	5.4
-98	94	5.7
-96	94	6
-94	94	6.2
-92	94	6.1
-90	94	5.9
-88	94	5.6
-86	94	5.3
-84	94	5.5
-82	94	6.1
-80	94	6.7
-78	94	6.5
-76	94	5.5
-74	94	4.1
-72	94	4
-70	94	5.1
-68	94	5.9
-66	94	5.4
-64	94	3.9
-62	94	2.8

-60	94	3.7
-58	94	4.6
-56	94	4.3
-54	94	3.2
-52	94	2.9
-50	94	3.1
-48	94	2.6
-46	94	2.1
-44	94	2.6
-42	94	2.6
-40	94	1.5
-38	94	1.3
-36	94	2.2
-34	94	1.6
-32	94	-0.1
-30	94	0.8
-28	94	1.7
-26	94	-0.8
-24	94	-2.6
-22	94	0.7
-20	94	0.1
-18	94	-5.9
-16	94	-1.9
-14	94	0.7
-12	94	-3.8
-10	94	-7.3
-8	94	0.4
-6	94	-0.7
-4	94	-19.4
-2	94	-1.9
0	94	0.7
2	94	-4.8
4	94	-5.7
6	94	0.5
8	94	-0.9
10	94	-7
12	94	-0.7
14	94	1.2
16	94	-1.1
18	94	-1
20	94	1.7
22	94	1.7
24	94	0.7
26	94	1.6
28	94	2.4
30	94	1.9
32	94	1.8
34	94	2.6
36	94	2.6
38	94	2.3
40	94	2.9
42	94	3.5
44	94	3.4
46	94	3.5
48	94	4.6
50	94	5.2
52	94	4.6
54	94	3.4
56	94	4
58	94	5.6
60	94	6.4
62	94	5.8
64	94	4.6
66	94	4.1
68	94	5.1
70	94	6.2
72	94	6.6
74	94	6.2
76	94	5.5
78	94	5.2
80	94	5.4
82	94	5.6
84	94	6
86	94	6.2
88	94	6.2
90	94	6
92	94	5.6
94	94	5.3
96	94	5.4
98	94	6.1
100	94	6.7
102	94	6.5
104	94	5.5
106	94	4
108	94	3.8
110	94	5.1
112	94	5.9
114	94	5.5
116	94	3.8
118	94	2.7
120	94	3.7
122	94	4.7
124	94	4.3
126	94	3.2
128	94	2.9
130	94	3.1
132	94	2.6
134	94	2.2
136	94	2.7
138	94	2.5
140	94	1.3
142	94	1.1
144	94	2.2
146	94	1.6
148	94	-0.2
150	94	0.9
152	94	1.8
154	94	-0.7
156	94	-2.7
158	94	0.6
160	94	0.1
162	94	-5.7
164	94	-1.8
166	94	0.8
168	94	-3.7
170	94	-7.5
172	94	0.3
174	94	-0.8
176	94	-20.8

178	94	-1.7
180	94	0.8
-180	96	1
-178	96	-3.9
-176	96	-6.2
-174	96	0.6
-172	96	-0.4
-170	96	-6.7
-168	96	-1.3
-166	96	0.8
-164	96	-1.9
-162	96	-1.7
-160	96	1.5
-158	96	1.6
-156	96	0.4
-154	96	1.6
-152	96	2.6
-150	96	2
-148	96	1.7
-146	96	2.6
-144	96	2.8
-142	96	2.3
-140	96	2.6
-138	96	3.3
-136	96	3.2
-134	96	3.2
-132	96	4.3
-130	96	5.2
-128	96	4.7
-126	96	3.4
-124	96	3.5
-122	96	5.2
-120	96	6.2
-118	96	5.9
-116	96	4.8
-114	96	4
-112	96	4.7
-110	96	5.8
-108	96	6.2
-106	96	5.8
-104	96	5
-102	96	4.6
-100	96	4.8
-98	96	5.2
-96	96	5.7
-94	96	5.9
-92	96	5.8
-90	96	5.4
-88	96	5
-86	96	4.8
-84	96	5.1
-82	96	6
-80	96	6.6
-78	96	6.6
-76	96	5.6
-74	96	4.3
-72	96	4.2
-70	96	5.4
-68	96	6.1
-66	96	5.6
-64	96	3.9
-62	96	2.9
-60	96	4
-58	96	5
-56	96	4.6
-54	96	3.3
-52	96	2.6
-50	96	2.8
-48	96	2.6
-46	96	2.3
-44	96	2.7
-42	96	2.8
-40	96	1.8
-38	96	1.8
-36	96	2.6
-34	96	2
-32	96	0.2
-30	96	1.1
-28	96	2.1
-26	96	-0.3
-24	96	-3
-22	96	0.3
-20	96	0.2
-18	96	-5.3
-16	96	-2.3
-14	96	0.6
-12	96	-3.5
-10	96	-7.2
-8	96	0.4
-6	96	-0.5
-4	96	-17.8
-2	96	-2.1
0	96	0.9
2	96	-4.1
4	96	-6.2
6	96	0.6
8	96	-0.3
10	96	-7
12	96	-1.4
14	96	0.8
16	96	-1.8
18	96	-1.8
20	96	1.5
22	96	1.7
24	96	0.4
26	96	1.6
28	96	2.6
30	96	2
32	96	1.7
34	96	2.6
36	96	2.9
38	96	2.4
40	96	2.6
42	96	3.2
44	96	3.2
46	96	3.2
48	96	4.3
50	96	5.1
52	96	4.6

54	96	3.3
56	96	3.5
58	96	5.2
60	96	6.3
62	96	6
64	96	4.7
66	96	3.9
68	96	4.7
70	96	5.8
72	96	6.2
74	96	5.8
76	96	5.1
78	96	4.6
80	96	4.8
82	96	5.2
84	96	5.7
86	96	5.9
88	96	5.9
90	96	5.5
92	96	5
94	96	4.7
96	96	5
98	96	5.9
100	96	6.6
102	96	6.6
104	96	5.5
106	96	4.2
108	96	4.1
110	96	5.3
112	96	6.1
114	96	5.6
116	96	3.9
118	96	2.9
120	96	4.1
122	96	5
124	96	4.6
126	96	3.2
128	96	2.7
130	96	3
132	96	2.6
134	96	2.2
136	96	2.6
138	96	2.6
140	96	1.7
142	96	1.7
144	96	2.6
146	96	1.9
148	96	0
150	96	1.1
152	96	2.1
154	96	-0.4
156	96	-3
158	96	0.4
160	96	0.2
162	96	-5.6
164	96	-2.2
166	96	0.7
168	96	-3.5
170	96	-7.3
172	96	0.4
174	96	-0.4
176	96	-17.4
178	96	-2
180	96	1
-180	98	0.9
-178	98	-3.5
-176	98	-6.8
-174	98	0.4
-172	98	-0.2
-170	98	-6.2
-168	98	-1.4
-166	98	0.9
-164	98	-1.7
-162	98	-2.3
-160	98	1.3
-158	98	1.5
-156	98	-0.3
-154	98	0.9
-152	98	2.5
-150	98	2
-148	98	1.4
-146	98	2.3
-144	98	3
-142	98	2.7
-140	98	2.7
-138	98	3.2
-136	98	2.8
-134	98	2.5
-132	98	3.7
-130	98	4.9
-128	98	4.7
-126	98	3.2
-124	98	2.6
-122	98	4.4
-120	98	5.9
-118	98	6
-116	98	5
-114	98	4
-112	98	4.3
-110	98	5.5
-108	98	6.2
-106	98	6
-104	98	5.3
-102	98	4.7
-100	98	4.8
-98	98	5.3
-96	98	5.9
-94	98	6.2
-92	98	6.1
-90	98	5.6
-88	98	5
-86	98	4.6
-84	98	5
-82	98	5.8
-80	98	6.5
-78	98	6.3
-76	98	5.3
-74	98	4.1
-72	98	4.1

-70	98	5.2
-68	98	5.7
-66	98	5
-64	98	3.2
-62	98	2.4
-60	98	3.8
-58	98	4.7
-56	98	4.1
-54	98	2.7
-52	98	2.5
-50	98	3.1
-48	98	2.8
-46	98	2.4
-44	98	2.8
-42	98	2.8
-40	98	1.9
-38	98	1.8
-36	98	2.6
-34	98	1.9
-32	98	0.2
-30	98	1.1
-28	98	1.9
-26	98	-0.8
-24	98	-3.6
-22	98	0.4
-20	98	0.3
-18	98	-5.8
-16	98	-2.3
-14	98	1
-12	98	-2.5
-10	98	-7.9
-8	98	0.1
-6	98	-0.3
-4	98	-14.6
-2	98	-2.6
0	98	0.9
2	98	-3.4
4	98	-6.4
6	98	0.6
8	98	0
10	98	-6.4
12	98	-1.5
14	98	0.9
16	98	-1.7
18	98	-2.5
20	98	1.2
22	98	1.5
24	98	-0.1
26	98	1
28	98	2.4
30	98	2
32	98	1.4
34	98	2.4
36	98	3
38	98	2.6
40	98	2.6
42	98	3.1
44	98	2.9
46	98	2.5
48	98	3.6
50	98	4.8
52	98	4.6
54	98	3.1
56	98	2.6
58	98	4.5
60	98	6
62	98	6
64	98	5
66	98	4
68	98	4.4
70	98	5.6
72	98	6.3
74	98	6
76	98	5.3
78	98	4.7
80	98	4.7
82	98	5.3
84	98	5.9
86	98	6.3
88	98	6.2
90	98	5.7
92	98	5
94	98	4.6
96	98	4.9
98	98	5.8
100	98	6.5
102	98	6.3
104	98	5.2
106	98	3.9
108	98	4.1
110	98	5.2
112	98	5.7
114	98	4.9
116	98	3.1
118	98	2.5
120	98	4
122	98	4.8
124	98	4.1
126	98	2.6
128	98	2.6
130	98	3.2
132	98	2.8
134	98	2.3
136	98	2.7
138	98	2.7
140	98	1.7
142	98	1.7
144	98	2.7
146	98	2
148	98	0.1
150	98	1.2
152	98	2.1
154	98	-0.8
156	98	-3.7
158	98	0.5
160	98	0.4
162	98	-6.1
164	98	-2.3
166	98	1

168	98	-2.5
170	98	-8
172	98	0.1
174	98	-0.4
176	98	-15.2
178	98	-2.5
180	98	0.9
-180	100	0.7
-178	100	-3.3
-176	100	-7
-174	100	0.3
-172	100	0
-170	100	-5.8
-168	100	-1
-166	100	1.6
-164	100	-0.7
-162	100	-2.7
-160	100	1.1
-158	100	1.8
-156	100	0
-154	100	0.8
-152	100	2.6
-150	100	2.4
-148	100	1.5
-146	100	2.3
-144	100	3.1
-142	100	2.8
-140	100	2.9
-138	100	3.6
-136	100	3.5
-134	100	2.8
-132	100	3.5
-130	100	4.9
-128	100	5.2
-126	100	4
-124	100	2.6
-122	100	3.9
-120	100	5.8
-118	100	6.5
-116	100	5.9
-114	100	4.7
-112	100	4.4
-110	100	5.3
-108	100	6.2
-106	100	6.3
-104	100	5.8
-102	100	5.1
-100	100	5
-98	100	5.5
-96	100	6.2
-94	100	6.6
-92	100	6.5
-90	100	5.9
-88	100	5.2
-86	100	4.9
-84	100	5.2
-82	100	6
-80	100	6.4
-78	100	6
-76	100	4.9
-74	100	3.9
-72	100	4.4
-70	100	5.3
-68	100	5.4
-66	100	4.3
-64	100	2.5
-62	100	2.3
-60	100	3.7
-58	100	4.3
-56	100	3.4
-54	100	2.2
-52	100	2.5
-50	100	3.1
-48	100	2.7
-46	100	2.4
-44	100	2.9
-42	100	2.9
-40	100	1.7
-38	100	1.6
-36	100	2.4
-34	100	1.7
-32	100	-0.1
-30	100	0.8
-28	100	1.5
-26	100	-1.5
-24	100	-3.6
-22	100	0.8
-20	100	0.5
-18	100	-6.1
-16	100	-2
-14	100	1.4
-12	100	-2
-10	100	-9.1
-8	100	0.1
-6	100	0.2
-4	100	-11.8
-2	100	-3.2
0	100	0.9
2	100	-3.1
4	100	-7.3
6	100	0.5
8	100	0.2
10	100	-5.8
12	100	-1.2
14	100	1.6
16	100	-0.6
18	100	-2.6
20	100	1.1
22	100	1.8
24	100	0
26	100	0.7
28	100	2.6
30	100	2.4
32	100	1.5
34	100	2.2
36	100	2.9
38	100	2.7
40	100	2.9
42	100	3.6

44	100	3.6
46	100	2.8
48	100	3.4
50	100	4.9
52	100	5.2
54	100	3.9
56	100	2.5
58	100	3.9
60	100	5.8
62	100	6.5
64	100	5.9
66	100	4.8
68	100	4.5
70	100	5.4
72	100	6.2
74	100	6.3
76	100	5.7
78	100	5
80	100	4.9
82	100	5.4
84	100	6.1
86	100	6.6
88	100	6.5
90	100	6
92	100	5.2
94	100	4.8
96	100	5.2
98	100	5.9
100	100	6.4
102	100	6.1
104	100	4.9
106	100	3.9
108	100	4.3
110	100	5.3
112	100	5.4
114	100	4.3
116	100	2.5
118	100	2.3
120	100	3.7
122	100	4.2
124	100	3.2
126	100	2.2
128	100	2.7
130	100	3.1
132	100	2.6
134	100	2.2
136	100	2.9
138	100	2.9
140	100	1.6
142	100	1.6
144	100	2.6
146	100	1.8
148	100	-0.2
150	100	0.9
152	100	1.6
154	100	-1.4
156	100	-3.2
158	100	1
160	100	0.5
162	100	-6.5
164	100	-1.8
166	100	1.5
168	100	-2.1
170	100	-8.8
172	100	0.2
174	100	0.1
176	100	-12.1
178	100	-3.2
180	100	0.7
-180	102	1.1
-178	102	-2.6
-176	102	-8.1
-174	102	0.5
-172	102	0.5
-170	102	-6
-168	102	-1.5
-166	102	1.9
-164	102	0.2
-162	102	-2.3
-160	102	1.4
-158	102	2.5
-156	102	0.8
-154	102	0.8
-152	102	2.7
-150	102	2.6
-148	102	1.7
-146	102	2.3
-144	102	3.2
-142	102	2.8
-140	102	2.7
-138	102	3.7
-136	102	4
-134	102	3.3
-132	102	3.4
-130	102	4.8
-128	102	5.6
-126	102	4.7
-124	102	2.9
-122	102	3.2
-120	102	5.3
-118	102	6.7
-116	102	6.6
-114	102	5.6
-112	102	4.5
-110	102	4.7
-108	102	5.5
-106	102	5.9
-104	102	5.5
-102	102	4.8
-100	102	4.4
-98	102	4.8
-96	102	5.6
-94	102	6.1
-92	102	6.2
-90	102	5.7
-88	102	5.1
-86	102	4.8
-84	102	5.3
-82	102	6

-80	102	6.3
-78	102	5.9
-76	102	4.9
-74	102	4.4
-72	102	5.1
-70	102	5.8
-68	102	5.6
-66	102	4.2
-64	102	2.6
-62	102	2.8
-60	102	4
-58	102	4.2
-56	102	3.4
-54	102	2.6
-52	102	3
-50	102	3.1
-48	102	2.4
-46	102	2.3
-44	102	3
-42	102	2.8
-40	102	1.6
-38	102	1.7
-36	102	2.7
-34	102	1.8
-32	102	-0.1
-30	102	1.1
-28	102	1.8
-26	102	-1
-24	102	-2.6
-22	102	1.1
-20	102	0.6
-18	102	-5.7
-16	102	-1.5
-14	102	1.6
-12	102	-1.9
-10	102	-9.7
-8	102	0.3
-6	102	0.5
-4	102	-10.4
-2	102	-3.4
0	102	0.9
2	102	-2.8
4	102	-8
6	102	0.6
8	102	0.6
10	102	-6.1
12	102	-1.6
14	102	1.9
16	102	0
18	102	-2.3
20	102	1.4
22	102	2.5
24	102	0.8
26	102	0.9
28	102	2.8
30	102	2.7
32	102	1.6
34	102	2.3
36	102	3.1
38	102	2.8
40	102	2.7
42	102	3.8
44	102	4.2
46	102	3.5
48	102	3.4
50	102	4.8
52	102	5.6
54	102	4.8
56	102	2.9
58	102	3.1
60	102	5.3
62	102	6.6
64	102	6.6
66	102	5.6
68	102	4.6
70	102	4.8
72	102	5.6
74	102	5.9
76	102	5.4
78	102	4.7
80	102	4.3
82	102	4.8
84	102	5.6
86	102	6.1
88	102	6.2
90	102	5.7
92	102	5
94	102	4.8
96	102	5.3
98	102	6
100	102	6.3
102	102	5.9
104	102	4.9
106	102	4.4
108	102	5.1
110	102	5.8
112	102	5.5
114	102	4.1
116	102	2.5
118	102	2.8
120	102	3.9
122	102	4.1
124	102	3.3
126	102	2.7
128	102	3.1
130	102	3.2
132	102	2.4
134	102	2.3
136	102	3
138	102	2.7
140	102	1.4
142	102	1.8
144	102	2.9
146	102	1.8
148	102	-0.2
150	102	1.1
152	102	1.8
154	102	-1.2
156	102	-2.5

158	102	1.3
160	102	0.7
162	102	-5.7
164	102	-1.3
166	102	1.7
168	102	-2
170	102	-9.4
172	102	0.4
174	102	0.5
176	102	-10.8
178	102	-3.3
180	102	1.1
-180	104	1.5
-178	104	-1.7
-176	104	-9.4
-174	104	0.4
-172	104	1.1
-170	104	-5.4
-168	104	-2.9
-166	104	1.7
-164	104	0.5
-162	104	-2.4
-160	104	1.1
-158	104	2.6
-156	104	1.1
-154	104	0.6
-152	104	2.6
-150	104	2.8
-148	104	1.6
-146	104	2
-144	104	3.1
-142	104	2.7
-140	104	1.9
-138	104	2.8
-136	104	3.7
-134	104	3.1
-132	104	2.6
-130	104	3.9
-128	104	5.2
-126	104	5.1
-124	104	3.4
-122	104	2.3
-120	104	4.2
-118	104	6.1
-116	104	6.7
-114	104	6
-112	104	4.8
-110	104	4.1
-108	104	4.5
-106	104	4.9
-104	104	4.8
-102	104	4.2
-100	104	3.8
-98	104	3.9
-96	104	4.5
-94	104	5.1
-92	104	5.2
-90	104	4.9
-88	104	4.4
-86	104	4.4
-84	104	4.9
-82	104	5.5
-80	104	5.7
-78	104	5.3
-76	104	4.7
-74	104	4.7
-72	104	5.6
-70	104	6.3
-68	104	5.8
-66	104	4.3
-64	104	2.8
-62	104	3.2
-60	104	4.3
-58	104	4.4
-56	104	3.4
-54	104	2.6
-52	104	2.7
-50	104	2.8
-48	104	2.4
-46	104	2.7
-44	104	3.2
-42	104	2.7
-40	104	1.6
-38	104	2.2
-36	104	3.1
-34	104	1.9
-32	104	0.2
-30	104	1.8
-28	104	2.5
-26	104	-0.3
-24	104	-2.3
-22	104	1.3
-20	104	0.8
-18	104	-5.3
-16	104	-1.5
-14	104	1.7
-12	104	-1.8
-10	104	-8.7
-8	104	0.6
-6	104	0.9
-4	104	-9.3
-2	104	-3.5
0	104	1.4
2	104	-1.8
4	104	-9.8
6	104	0.3
8	104	1
10	104	-5.5
12	104	-2.9
14	104	1.7
16	104	0.4
18	104	-2.4
20	104	1.2
22	104	2.7
24	104	1.1
26	104	0.6
28	104	2.5
30	104	2.8
32	104	1.6

34	104	1.9
36	104	3
38	104	2.6
40	104	1.9
42	104	2.8
44	104	3.6
46	104	3.1
48	104	2.6
50	104	3.9
52	104	5.2
54	104	5.1
56	104	3.4
58	104	2.3
60	104	4.2
62	104	6.1
64	104	6.7
66	104	6.1
68	104	4.9
70	104	4.3
72	104	4.6
74	104	5
76	104	4.8
78	104	4.3
80	104	3.8
82	104	3.9
84	104	4.5
86	104	5.1
88	104	5.2
90	104	4.9
92	104	4.5
94	104	4.5
96	104	4.9
98	104	5.5
100	104	5.7
102	104	5.3
104	104	4.6
106	104	4.7
108	104	5.7
110	104	6.3
112	104	5.7
114	104	4.1
116	104	2.7
118	104	3.3
120	104	4.3
122	104	4.3
124	104	3.4
126	104	2.7
128	104	2.9
130	104	2.8
132	104	2.3
134	104	2.6
136	104	3.2
138	104	2.7
140	104	1.5
142	104	2.2
144	104	3.1
146	104	1.9
148	104	0.1
150	104	1.7
152	104	2.4
154	104	-0.4
156	104	-2
158	104	1.3
160	104	0.7
162	104	-5.5
164	104	-1.3
166	104	1.7
168	104	-1.9
170	104	-8.6
172	104	0.7
174	104	0.9
176	104	-9.6
178	104	-3.3
180	104	1.5
-180	106	1.6
-178	106	-0.8
-176	106	-10.5
-174	106	0
-172	106	1.5
-170	106	-3.6
-168	106	-4.1
-166	106	1.1
-164	106	0.5
-162	106	-3
-160	106	0.3
-158	106	2.4
-156	106	1.2
-154	106	0.3
-152	106	2.4
-150	106	3
-148	106	1.6
-146	106	1.2
-144	106	2.6
-142	106	2.7
-140	106	1.9
-138	106	2.1
-136	106	3.1
-134	106	2.9
-132	106	1.8
-130	106	2.7
-128	106	4.7
-126	106	5.4
-124	106	4.4
-122	106	2.6
-120	106	3
-118	106	5.2
-116	106	6.6
-114	106	6.6
-112	106	5.7
-110	106	4.7
-108	106	4.6
-106	106	5.1
-104	106	5.5
-102	106	5.5
-100	106	5.2
-98	106	5
-96	106	5.1
-94	106	5.3
-92	106	5.4

-90	106	5.2
-88	106	5.1
-86	106	5.2
-84	106	5.3
-82	106	5.3
-80	106	4.9
-78	106	4.1
-76	106	3.6
-74	106	4.3
-72	106	5.5
-70	106	6
-68	106	5.3
-66	106	3.7
-64	106	2.6
-62	106	3.5
-60	106	4.3
-58	106	3.9
-56	106	2.6
-54	106	1.7
-52	106	2
-50	106	2.1
-48	106	2
-46	106	2.4
-44	106	2.9
-42	106	2.3
-40	106	1.5
-38	106	2.5
-36	106	3.1
-34	106	1.7
-32	106	0.3
-30	106	2.2
-28	106	2.6
-26	106	-0.6
-24	106	-2.6
-22	106	1.2
-20	106	0.7
-18	106	-5.7
-16	106	-1.8
-14	106	1.5
-12	106	-1.9
-10	106	-8.4
-8	106	0.6
-6	106	1.1
-4	106	-8.5
-2	106	-3.8
0	106	1.6
2	106	-0.9
4	106	-10.8
6	106	0
8	106	1.5
10	106	-3.7
12	106	-4.2
14	106	1.2
16	106	0.6
18	106	-3
20	106	0.3
22	106	2.4
24	106	1.2
26	106	0.2
28	106	2.3
30	106	3
32	106	1.6
34	106	1.2
36	106	2.5
38	106	2.7
40	106	1.8
42	106	2
44	106	3.1
46	106	2.9
48	106	1.9
50	106	2.6
52	106	4.6
54	106	5.3
56	106	4.4
58	106	2.6
60	106	3
62	106	5.2
64	106	6.6
66	106	6.6
68	106	5.7
70	106	4.7
72	106	4.6
74	106	5.1
76	106	5.5
78	106	5.5
80	106	5.2
82	106	5
84	106	5.1
86	106	5.3
88	106	5.4
90	106	5.2
92	106	5.1
94	106	5.2
96	106	5.3
98	106	5.2
100	106	4.8
102	106	4.1
104	106	3.7
106	106	4.4
108	106	5.6
110	106	6
112	106	5.2
114	106	3.5
116	106	2.6
118	106	3.5
120	106	4.3
122	106	3.8
124	106	2.4
126	106	1.6
128	106	2
130	106	2.2
132	106	2
134	106	2.4
136	106	2.9
138	106	2.3
140	106	1.5
142	106	2.4
144	106	3.1
146	106	1.7

148	106	0.4
150	106	2.2
152	106	2.5
154	106	-0.9
156	106	-2.5
158	106	1.4
160	106	0.8
162	106	-6.1
164	106	-1.9
166	106	1.6
168	106	-1.8
170	106	-8.5
172	106	0.7
174	106	1.1
176	106	-8.4
178	106	-3.7
180	106	1.6
-180	108	1.5
-178	108	-0.5
-176	108	-9.8
-174	108	-0.2
-172	108	1.7
-170	108	-2.4
-168	108	-4.4
-166	108	1
-164	108	1
-162	108	-2.5
-160	108	-0.3
-158	108	2.3
-156	108	1.4
-154	108	-0.1
-152	108	2
-150	108	3.1
-148	108	2.1
-146	108	1.2
-144	108	2.4
-142	108	3.1
-140	108	2.5
-138	108	2.5
-136	108	3.5
-134	108	3.8
-132	108	2.7
-130	108	2.3
-128	108	4.2
-126	108	5.7
-124	108	5.6
-122	108	4.1
-120	108	3
-118	108	4.5
-116	108	6.3
-114	108	7
-112	108	6.5
-110	108	5.5
-108	108	5.1
-106	108	5.5
-104	108	6.2
-102	108	6.5
-100	108	6.4
-98	108	6
-96	108	5.7
-94	108	5.7
-92	108	5.8
-90	108	6
-88	108	6.3
-86	108	6.6
-84	108	6.5
-82	108	5.8
-80	108	4.8
-78	108	3.7
-76	108	3.7
-74	108	4.7
-72	108	5.7
-70	108	5.7
-68	108	4.5
-66	108	2.9
-64	108	2.9
-62	108	4
-60	108	4.2
-58	108	3.1
-56	108	1.5
-54	108	1.3
-52	108	2.1
-50	108	2.2
-48	108	1.8
-46	108	1.9
-44	108	2
-42	108	1.4
-40	108	1.1
-38	108	2.3
-36	108	2.5
-34	108	0.8
-32	108	-0.1
-30	108	1.9
-28	108	1.8
-26	108	-2.4
-24	108	-2.8
-22	108	1.3
-20	108	0.3
-18	108	-7.1
-16	108	-1.5
-14	108	1.7
-12	108	-1.6
-10	108	-9.3
-8	108	0.3
-6	108	1
-4	108	-7.7
-2	108	-4.4
0	108	1.6
2	108	-0.3
4	108	-10
6	108	-0.5
8	108	1.7
10	108	-2.4
12	108	-4.7
14	108	1
16	108	1
18	108	-2.5
20	108	-0.3
22	108	2.3

24	108	1.5
26	108	-0.1
28	108	1.9
30	108	3.1
32	108	2.1
34	108	1.1
36	108	2.4
38	108	3.1
40	108	2.4
42	108	2.4
44	108	3.6
46	108	3.9
48	108	2.8
50	108	2.3
52	108	4.2
54	108	5.7
56	108	5.6
58	108	4
60	108	3
62	108	4.5
64	108	6.3
66	108	6.9
68	108	6.4
70	108	5.5
72	108	5.1
74	108	5.5
76	108	6.2
78	108	6.5
80	108	6.3
82	108	6
84	108	5.7
86	108	5.6
88	108	5.8
90	108	6
92	108	6.3
94	108	6.6
96	108	6.4
98	108	5.8
100	108	4.7
102	108	3.7
104	108	3.7
106	108	4.8
108	108	5.7
110	108	5.7
112	108	4.5
114	108	2.9
116	108	2.9
118	108	4
120	108	4.2
122	108	3
124	108	1.4
126	108	1.3
128	108	2
130	108	2.1
132	108	1.8
134	108	2.1
136	108	2.2
138	108	1.5
140	108	1.1
142	108	2.3
144	108	2.7
146	108	1.1
148	108	0
150	108	1.9
152	108	1.9
154	108	-2.3
156	108	-3.1
158	108	1.2
160	108	0.4
162	108	-7.2
164	108	-1.6
166	108	1.8
168	108	-1.4
170	108	-9.6
172	108	0.1
174	108	0.8
176	108	-8.1
178	108	-4.2
180	108	1.5
-180	110	1.3
-178	110	-0.4
-176	110	-9.3
-174	110	-0.7
-172	110	1.7
-170	110	-2
-168	110	-4.7
-166	110	1.1
-164	110	1.5
-162	110	-2
-160	110	-0.9
-158	110	2.1
-156	110	1.6
-154	110	-0.4
-152	110	1.2
-150	110	3
-148	110	2.5
-146	110	1.4
-144	110	2.2
-142	110	3
-140	110	2.6
-138	110	2.4
-136	110	3.7
-134	110	4.6
-132	110	3.8
-130	110	2.4
-128	110	3.5
-126	110	5.5
-124	110	6.2
-122	110	5.1
-120	110	3.1
-118	110	3.1
-116	110	4.9
-114	110	6.1
-112	110	6.2
-110	110	5.3
-108	110	4.5
-106	110	4.4
-104	110	5.1
-102	110	5.7

-100	110	5.8
-98	110	5.3
-96	110	4.6
-94	110	4.2
-92	110	4.4
-90	110	5.1
-88	110	5.9
-86	110	6.3
-84	110	6.2
-82	110	5.5
-80	110	4.4
-78	110	3.9
-76	110	4.5
-74	110	5.5
-72	110	6
-70	110	5.5
-68	110	4.3
-66	110	3.4
-64	110	4
-62	110	4.8
-60	110	4.6
-58	110	3.4
-56	110	2.4
-54	110	2.6
-52	110	3
-50	110	2.7
-48	110	2.2
-46	110	2.2
-44	110	2.1
-42	110	1.4
-40	110	1.4
-38	110	2.2
-36	110	2
-34	110	0.1
-32	110	-0.3
-30	110	1.4
-28	110	0.7
-26	110	-3.8
-24	110	-2.1
-22	110	1.4
-20	110	-0.2
-18	110	-7.7
-16	110	-0.9
-14	110	1.9
-12	110	-1.5
-10	110	-10
-8	110	0.1
-6	110	1
-4	110	-7
-2	110	-5.4
0	110	1.1
2	110	-0.5
4	110	-9.8
6	110	-0.8
8	110	1.7
10	110	-2
12	110	-5.2
14	110	1
16	110	1.6
18	110	-1.8
20	110	-1
22	110	2.2
24	110	1.7
26	110	-0.5
28	110	1.1
30	110	3
32	110	2.6
34	110	1.3
36	110	2.1
38	110	3.1
40	110	2.6
42	110	2.3
44	110	3.7
46	110	4.7
48	110	4
50	110	2.5
52	110	3.5
54	110	5.5
56	110	6.2
58	110	5.1
60	110	3
62	110	2.9
64	110	4.9
66	110	6.1
68	110	6.1
70	110	5.3
72	110	4.5
74	110	4.5
76	110	5.2
78	110	5.8
80	110	5.8
82	110	5.2
84	110	4.5
86	110	4.1
88	110	4.4
90	110	5.1
92	110	5.9
94	110	6.3
96	110	6.2
98	110	5.5
100	110	4.4
102	110	3.9
104	110	4.5
106	110	5.5
108	110	6
110	110	5.6
112	110	4.3
114	110	3.5
116	110	4.1
118	110	4.8
120	110	4.5
122	110	3.2
124	110	2.3
126	110	2.6
128	110	3
130	110	2.6
132	110	2.2
134	110	2.3
136	110	2.1

138	110	1.3
140	110	1.3
142	110	2.4
144	110	2.2
146	110	0.2
148	110	-0.3
150	110	1.6
152	110	1
154	110	-3.6
156	110	-2
158	110	1.6
160	110	0
162	110	-7.9
164	110	-0.9
166	110	2
168	110	-1.3
170	110	-9.9
172	110	0.1
174	110	0.9
176	110	-7.5
178	110	-4.9
180	110	1.3
-180	112	0.9
-178	112	-0.6
-176	112	-10.3
-174	112	-0.9
-172	112	1.9
-170	112	-1.3
-168	112	-6.4
-166	112	0.4
-164	112	1.6
-162	112	-1.5
-160	112	-1.7
-158	112	2
-156	112	2.2
-154	112	-0.1
-152	112	0.3
-150	112	2.5
-148	112	2.5
-146	112	1
-144	112	1.3
-142	112	2.5
-140	112	2.3
-138	112	1.5
-136	112	2.7
-134	112	4.3
-132	112	4.2
-130	112	2.7
-128	112	2.2
-126	112	4.4
-124	112	5.9
-122	112	5.8
-120	112	4
-118	112	1.7
-116	112	2.2
-114	112	4.1
-112	112	5.2
-110	112	5.3
-108	112	4.7
-106	112	4.1
-104	112	4.2
-102	112	4.8
-100	112	5.3
-98	112	5.1
-96	112	4.6
-94	112	4
-92	112	3.8
-90	112	4.1
-88	112	4.6
-86	112	4.9
-84	112	4.7
-82	112	4
-80	112	3.6
-78	112	3.9
-76	112	4.7
-74	112	5.3
-72	112	5.1
-70	112	4.2
-68	112	3.1
-66	112	3.2
-64	112	4.4
-62	112	5
-60	112	4.7
-58	112	3.7
-56	112	3.3
-54	112	3.6
-52	112	3.6
-50	112	3
-48	112	2.6
-46	112	2.7
-44	112	2.5
-42	112	1.8
-40	112	2
-38	112	2.5
-36	112	1.9
-34	112	0.1
-32	112	0.5
-30	112	1.8
-28	112	0.6
-26	112	-3.2
-24	112	-0.8
-22	112	1.7
-20	112	-0.4
-18	112	-7.2
-16	112	-0.3
-14	112	2.1
-12	112	-1.5
-10	112	-11.1
-8	112	-0.1
-6	112	0.9
-4	112	-6.4
-2	112	-6.2
0	112	0.8
2	112	-0.5
4	112	-9.6
6	112	-1
8	112	1.7
10	112	-1.6
12	112	-6.6

14	112	0.6
16	112	1.8
18	112	-1.5
20	112	-1.8
22	112	2
24	112	2.3
26	112	-0.1
28	112	0.2
30	112	2.5
32	112	2.5
34	112	1
36	112	1.3
38	112	2.7
40	112	2.4
42	112	1.4
44	112	2.6
46	112	4.4
48	112	4.4
50	112	2.7
52	112	2.2
54	112	4.4
56	112	5.9
58	112	5.7
60	112	3.8
62	112	1.5
64	112	2.1
66	112	4.1
68	112	5.2
70	112	5.3
72	112	4.7
74	112	4.2
76	112	4.4
78	112	5
80	112	5.3
82	112	5.1
84	112	4.5
86	112	3.9
88	112	3.8
90	112	4.2
92	112	4.7
94	112	5
96	112	4.7
98	112	4
100	112	3.5
102	112	3.9
104	112	4.8
106	112	5.3
108	112	5.2
110	112	4.3
112	112	3.2
114	112	3.3
116	112	4.4
118	112	5
120	112	4.6
122	112	3.7
124	112	3.3
126	112	3.6
128	112	3.6
130	112	2.9
132	112	2.5
134	112	2.7
136	112	2.5
138	112	1.7
140	112	1.9
142	112	2.7
144	112	2.1
146	112	0.1
148	112	0.3
150	112	1.9
152	112	0.8
154	112	-3.3
156	112	-0.8
158	112	1.9
160	112	-0.1
162	112	-7.1
164	112	-0.4
166	112	2.1
168	112	-1.6
170	112	-11
172	112	0
174	112	0.9
176	112	-6.7
178	112	-5.9
180	112	0.9
-180	114	0.9
-178	114	0
-176	114	-9.6
-174	114	-1.7
-172	114	2
-170	114	-0.4
-168	114	-8.1
-166	114	-0.5
-164	114	1.9
-162	114	-0.5
-160	114	-2.4
-158	114	1.6
-156	114	2.9
-154	114	1.1
-152	114	-0.1
-150	114	2.1
-148	114	2.8
-146	114	1.7
-144	114	1.1
-142	114	2.5
-140	114	2.8
-138	114	1.7
-136	114	1.8
-134	114	3.8
-132	114	4.7
-130	114	3.8
-128	114	1.8
-126	114	2.6
-124	114	5.1
-122	114	6.3
-120	114	5.8
-118	114	3.8
-116	114	1.9
-114	114	2.7
-112	114	4.6

-110	114	5.7
-108	114	5.9
-106	114	5.4
-104	114	5
-102	114	5.1
-100	114	5.6
-98	114	6
-96	114	6
-94	114	5.9
-92	114	5.6
-90	114	5.3
-88	114	5
-86	114	4.7
-84	114	4.4
-82	114	4.3
-80	114	4.6
-78	114	5.2
-76	114	5.5
-74	114	5.2
-72	114	4.1
-70	114	2.7
-68	114	1.9
-66	114	2.7
-64	114	3.8
-62	114	4.1
-60	114	3.6
-58	114	2.8
-56	114	2.7
-54	114	3.1
-52	114	3
-50	114	2.5
-48	114	2.4
-46	114	2.6
-44	114	2.2
-42	114	1.7
-40	114	2.1
-38	114	2.6
-36	114	1.7
-34	114	0.2
-32	114	1.1
-30	114	2.3
-28	114	0.9
-26	114	-2.7
-24	114	-0.4
-22	114	1.8
-20	114	-0.6
-18	114	-7.2
-16	114	-0.1
-14	114	2.1
-12	114	-1.6
-10	114	-11.7
-8	114	-0.1
-6	114	1
-4	114	-5.9
-2	114	-6.4
0	114	1
2	114	0.2
4	114	-9.5
6	114	-1.9
8	114	1.9
10	114	-0.4
12	114	-8.2
14	114	-0.4
16	114	1.9
18	114	-0.5
20	114	-2.5
22	114	1.7
24	114	2.9
26	114	1
28	114	-0.3
30	114	2.1
32	114	2.9
34	114	1.6
36	114	0.9
38	114	2.4
40	114	2.8
42	114	1.7
44	114	1.7
46	114	3.8
48	114	4.8
50	114	3.9
52	114	1.8
54	114	2.6
56	114	5.2
58	114	6.3
60	114	5.7
62	114	3.7
64	114	1.8
66	114	2.7
68	114	4.7
70	114	5.8
72	114	6
74	114	5.5
76	114	5
78	114	5.1
80	114	5.6
82	114	5.9
84	114	6
86	114	5.9
88	114	5.7
90	114	5.4
92	114	5.1
94	114	4.8
96	114	4.4
98	114	4.2
100	114	4.6
102	114	5.2
104	114	5.5
106	114	5.2
108	114	4
110	114	2.5
112	114	1.8
114	114	2.7
116	114	3.8
118	114	4.1
120	114	3.5
122	114	2.7
124	114	2.7
126	114	3.2

128	114	3
130	114	2.4
132	114	2.4
134	114	2.7
136	114	2.3
138	114	1.6
140	114	2
142	114	2.8
144	114	2
146	114	0.3
148	114	1.1
150	114	2.4
152	114	0.9
154	114	-2.7
156	114	-0.2
158	114	1.9
160	114	-0.7
162	114	-7.3
164	114	0
166	114	2.2
168	114	-1.7
170	114	-11.6
172	114	0
174	114	1.1
176	114	-5.9
178	114	-6.4
180	114	0.9
-180	116	1.4
-178	116	1.2
-176	116	-7.1
-174	116	-3
-172	116	2.1
-170	116	1
-168	116	-6.1
-166	116	-1.6
-164	116	2
-162	116	0.6
-160	116	-2.4
-158	116	1
-156	116	3
-154	116	2
-152	116	0.3
-150	116	2.2
-148	116	3.7
-146	116	3.1
-144	116	2
-142	116	2.8
-140	116	3.6
-138	116	2.8
-136	116	1.6
-134	116	3
-132	116	4.9
-130	116	4.9
-128	116	3
-126	116	1.2
-124	116	3.2
-122	116	5.6
-120	116	6.4
-118	116	5.7
-116	116	3.9
-114	116	2.4
-112	116	3.2
-110	116	4.8
-108	116	5.5
-106	116	5.3
-104	116	4.6
-102	116	4
-100	116	4
-98	116	4.5
-96	116	5.1
-94	116	5.5
-92	116	5.5
-90	116	5.3
-88	116	4.8
-86	116	4.4
-84	116	4.4
-82	116	4.9
-80	116	5.7
-78	116	6.3
-76	116	6.4
-74	116	5.7
-72	116	4.4
-70	116	3.3
-68	116	3.3
-66	116	3.9
-64	116	4.1
-62	116	3.5
-60	116	2.3
-58	116	1.6
-56	116	1.8
-54	116	2
-52	116	1.8
-50	116	1.6
-48	116	2
-46	116	2.2
-44	116	1.7
-42	116	1.4
-40	116	2.3
-38	116	2.8
-36	116	1.6
-34	116	0.1
-32	116	1.3
-30	116	2.3
-28	116	0.5
-26	116	-3
-24	116	-0.2
-22	116	1.6
-20	116	-1.4
-18	116	-7.8
-16	116	0
-14	116	1.9
-12	116	-2.3
-10	116	-10.9
-8	116	0.3
-6	116	1.4
-4	116	-5.1
-2	116	-6.8
0	116	1.3
2	116	1.1

4	116	-7.4
6	116	-3.1
8	116	2
10	116	0.8
12	116	-6.5
14	116	-1.6
16	116	2
18	116	0.6
20	116	-2.6
22	116	0.9
24	116	3
26	116	1.9
28	116	0.2
30	116	2.2
32	116	3.7
34	116	3
36	116	1.7
38	116	2.7
40	116	3.6
42	116	2.7
44	116	1.5
46	116	3.1
48	116	5
50	116	5.1
52	116	3
54	116	1
56	116	3.1
58	116	5.6
60	116	6.4
62	116	5.7
64	116	3.8
66	116	2.3
68	116	3.2
70	116	4.8
72	116	5.5
74	116	5.3
76	116	4.6
78	116	4
80	116	4.1
82	116	4.6
84	116	5.2
86	116	5.5
88	116	5.6
90	116	5.3
92	116	4.9
94	116	4.5
96	116	4.4
98	116	4.9
100	116	5.7
102	116	6.4
104	116	6.4
106	116	5.6
108	116	4.3
110	116	3.1
112	116	3.2
114	116	3.9
116	116	4.1
118	116	3.4
120	116	2.2
122	116	1.5
124	116	1.9
126	116	2.2
128	116	1.9
130	116	1.7
132	116	2
134	116	2.2
136	116	1.6
138	116	1.2
140	116	2.2
142	116	2.8
144	116	1.6
146	116	0
148	116	1.3
150	116	2.4
152	116	0.5
154	116	-3.2
156	116	-0.2
158	116	1.7
160	116	-1.3
162	116	-8.1
164	116	0.1
166	116	2
168	116	-2.3
170	116	-10.9
172	116	0.6
174	116	1.6
176	116	-5
178	116	-6.6
180	116	1.4
-180	118	1.7
-178	118	1.9
-176	118	-4.7
-174	118	-3.7
-172	118	2.2
-170	118	2
-168	118	-3.5
-166	118	-3.1
-164	118	1.5
-162	118	1.2
-160	118	-1.9
-158	118	0.2
-156	118	2.9
-154	118	2.5
-152	118	0.6
-150	118	1.6
-148	118	3.5
-146	118	3.5
-144	118	2.2
-142	118	2.4
-140	118	3.6
-138	118	3.3
-136	118	1.4
-134	118	1.2
-132	118	3.8
-130	118	5.1
-128	118	4.4
-126	118	1.7
-124	118	-0.1
-122	118	2.8

-120	118	5.3
-118	118	6.1
-116	118	5.6
-114	118	4
-112	118	2.6
-110	118	2.9
-108	118	3.9
-106	118	4.4
-104	118	4
-102	118	3.1
-100	118	2.2
-98	118	2.2
-96	118	2.9
-94	118	3.8
-92	118	4.3
-90	118	4.2
-88	118	3.8
-86	118	3.4
-84	118	3.5
-82	118	4.1
-80	118	4.9
-78	118	5.5
-76	118	5.5
-74	118	4.7
-72	118	3.8
-70	118	3.7
-68	118	4.4
-66	118	5
-64	118	4.7
-62	118	3.7
-60	118	2.6
-58	118	2.3
-56	118	2.5
-54	118	2.4
-52	118	1.9
-50	118	1.8
-48	118	2.2
-46	118	2.1
-44	118	1.6
-42	118	2
-40	118	2.9
-38	118	2.8
-36	118	1.2
-34	118	0.2
-32	118	1.8
-30	118	2.2
-28	118	-0.6
-26	118	-4
-24	118	0.2
-22	118	1.5
-20	118	-2.2
-18	118	-7.6
-16	118	0.4
-14	118	1.9
-12	118	-2.8
-10	118	-9.4
-8	118	0.7
-6	118	1.7
-4	118	-4.7
-2	118	-7.1
0	118	1.6
2	118	1.9
4	118	-4.6
6	118	-4.3
8	118	1.9
10	118	1.7
12	118	-3.8
14	118	-2.9
16	118	1.5
18	118	1
20	118	-2.2
22	118	0.2
24	118	2.9
26	118	2.5
28	118	0.5
30	118	1.7
32	118	3.6
34	118	3.5
36	118	2.1
38	118	2.4
40	118	3.7
42	118	3.4
44	118	1.5
46	118	1.3
48	118	3.8
50	118	5.1
52	118	4.3
54	118	1.5
56	118	-0.4
58	118	2.7
60	118	5.3
62	118	6.2
64	118	5.6
66	118	4
68	118	2.6
70	118	2.8
72	118	3.8
74	118	4.3
76	118	4
78	118	3.1
80	118	2.4
82	118	2.3
84	118	2.9
86	118	3.7
88	118	4.1
90	118	4.1
92	118	3.7
94	118	3.3
96	118	3.5
98	118	4.1
100	118	5
102	118	5.5
104	118	5.4
106	118	4.6
108	118	3.7
110	118	3.5
112	118	4.3
114	118	4.9
116	118	4.7

118	118	3.6
120	118	2.5
122	118	2.3
124	118	2.6
126	118	2.4
128	118	2
130	118	2.1
132	118	2.4
134	118	2.1
136	118	1.5
138	118	1.9
140	118	2.9
142	118	2.8
144	118	1
146	118	-0.1
148	118	1.6
150	118	2.2
152	118	-0.5
154	118	-4.2
156	118	-0.1
158	118	1.3
160	118	-2.5
162	118	-7.7
164	118	0.6
166	118	2
168	118	-2.8
170	118	-9.8
172	118	0.8
174	118	1.8
176	118	-4.6
178	118	-6.8
180	118	1.7
-180	120	1.6
-178	120	2.2
-176	120	-3.1
-174	120	-4.5
-172	120	1.8
-170	120	2.3
-168	120	-2.2
-166	120	-3.7
-164	120	1.2
-162	120	1.5
-160	120	-1.6
-158	120	-0.9
-156	120	2.5
-154	120	2.9
-152	120	0.7
-150	120	0.2
-148	120	2.5
-146	120	3.1
-144	120	1.8
-142	120	1.1
-140	120	2.8
-138	120	3.7
-136	120	2.5
-134	120	0.1
-132	120	1.3
-130	120	4.2
-128	120	5.2
-126	120	4.3
-124	120	1.6
-122	120	0
-120	120	3
-118	120	5.6
-116	120	6.5
-114	120	6.1
-112	120	4.9
-110	120	3.8
-108	120	3.7
-106	120	4.2
-104	120	4.6
-102	120	4.5
-100	120	4.1
-98	120	3.7
-96	120	3.6
-94	120	3.9
-92	120	4.3
-90	120	4.5
-88	120	4.6
-86	120	4.7
-84	120	4.9
-82	120	4.9
-80	120	4.5
-78	120	3.9
-76	120	2.8
-74	120	1.7
-72	120	1.6
-70	120	2.8
-68	120	4
-66	120	4.5
-64	120	4
-62	120	3.1
-60	120	2.6
-58	120	2.9
-56	120	3.2
-54	120	3
-52	120	2.7
-50	120	2.8
-48	120	2.7
-46	120	2.3
-44	120	2.1
-42	120	2.7
-40	120	3.2
-38	120	2.3
-36	120	0.3
-34	120	0.5
-32	120	2.2
-30	120	1.9
-28	120	-1.9
-26	120	-3.9
-24	120	0.6
-22	120	1.3
-20	120	-3.5
-18	120	-6.1
-16	120	1.2
-14	120	2.1
-12	120	-2.8
-10	120	-8.6
-8	120	0.8

-6	120	1.7
-4	120	-4.4
-2	120	-7.7
0	120	1.4
2	120	2.1
4	120	-3.3
6	120	-4.7
8	120	1.7
10	120	2.1
12	120	-2.3
14	120	-3.6
16	120	1.2
18	120	1.5
20	120	-1.8
22	120	-0.9
24	120	2.5
26	120	2.8
28	120	0.6
30	120	0.2
32	120	2.6
34	120	3.1
36	120	1.7
38	120	1.1
40	120	3
42	120	3.9
44	120	2.6
46	120	0
48	120	1.2
50	120	4.2
52	120	5.3
54	120	4.4
56	120	1.5
58	120	-0.1
60	120	3
62	120	5.6
64	120	6.6
66	120	6.2
68	120	4.9
70	120	3.6
72	120	3.5
74	120	4.1
76	120	4.5
78	120	4.5
80	120	4.1
82	120	3.7
84	120	3.6
86	120	3.8
88	120	4.2
90	120	4.4
92	120	4.5
94	120	4.6
96	120	4.8
98	120	4.8
100	120	4.5
102	120	3.8
104	120	2.7
106	120	1.5
108	120	1.3
110	120	2.6
112	120	3.9
114	120	4.5
116	120	4.1
118	120	3.2
120	120	2.7
122	120	3
124	120	3.2
126	120	3
128	120	2.8
130	120	2.8
132	120	2.8
134	120	2.3
136	120	2
138	120	2.7
140	120	3.2
142	120	2.3
144	120	0.1
146	120	0.3
148	120	2.2
150	120	1.9
152	120	-2
154	120	-4
156	120	0.6
158	120	1.2
160	120	-3.9
162	120	-6.5
164	120	1.2
166	120	2.2
168	120	-2.8
170	120	-9.1
172	120	0.8
174	120	1.7
176	120	-4.5
178	120	-7.4
180	120	1.6
-180	122	1
-178	122	1.9
-176	122	-2.8
-174	122	-5.2
-172	122	1.5
-170	122	2.4
-168	122	-1.2
-166	122	-3.8
-164	122	1.1
-162	122	2.1
-160	122	-0.8
-158	122	-2.5
-156	122	1.6
-154	122	3
-152	122	1.5
-150	122	-0.5
-148	122	1.5
-146	122	3.1
-144	122	2.4
-142	122	0.5
-140	122	1.5
-138	122	3.6
-136	122	3.9
-134	122	2
-132	122	0

-130	122	2.4
-128	122	5.1
-126	122	5.9
-124	122	4.8
-122	122	2.1
-120	122	0.7
-118	122	3.2
-116	122	5.5
-114	122	6.2
-112	122	5.9
-110	122	4.8
-108	122	3.7
-106	122	3.4
-104	122	4
-102	122	4.6
-100	122	4.9
-98	122	4.8
-96	122	4.3
-94	122	3.8
-92	122	3.7
-90	122	4.1
-88	122	4.8
-86	122	5.7
-84	122	6.2
-82	122	6.1
-80	122	5.3
-78	122	3.8
-76	122	2.2
-74	122	1.7
-72	122	2.6
-70	122	3.7
-68	122	4.1
-66	122	3.6
-64	122	2.5
-62	122	1.7
-60	122	1.9
-58	122	2.7
-56	122	3
-54	122	2.8
-52	122	2.7
-50	122	2.8
-48	122	2.6
-46	122	2.2
-44	122	2.4
-42	122	3
-40	122	2.8
-38	122	1.3
-36	122	-0.1
-34	122	1.3
-32	122	2.5
-30	122	1.1
-28	122	-3.7
-26	122	-2.5
-24	122	1.4
-22	122	1.1
-20	122	-4.8
-18	122	-4.3
-16	122	1.8
-14	122	2.3
-12	122	-3
-10	122	-9.1
-8	122	0.6
-6	122	1.5
-4	122	-4.4
-2	122	-8.6
0	122	1
2	122	1.9
4	122	-3
6	122	-5
8	122	1.5
10	122	2.4
12	122	-1.3
14	122	-3.7
16	122	1.2
18	122	2.1
20	122	-0.9
22	122	-2.5
24	122	1.6
26	122	2.9
28	122	1.3
30	122	-0.6
32	122	1.5
34	122	3.1
36	122	2.3
38	122	0.5
40	122	1.5
42	122	3.6
44	122	3.9
46	122	2.1
48	122	0.1
50	122	2.6
52	122	5.2
54	122	6
56	122	4.8
58	122	2
60	122	0.6
62	122	3.3
64	122	5.4
66	122	6.2
68	122	5.7
70	122	4.6
72	122	3.6
74	122	3.4
76	122	4
78	122	4.7
80	122	5
82	122	4.8
84	122	4.3
86	122	3.8
88	122	3.6
90	122	4
92	122	4.8
94	122	5.6
96	122	6.1
98	122	6
100	122	5.2
102	122	3.8
104	122	2.2
106	122	1.8

108	122	2.6
110	122	3.6
112	122	4
114	122	3.6
116	122	2.6
118	122	1.8
120	122	2.1
122	122	2.8
124	122	3.1
126	122	3
128	122	2.8
130	122	2.8
132	122	2.6
134	122	2.3
136	122	2.4
138	122	3
140	122	2.8
142	122	1.3
144	122	-0.2
146	122	1.1
148	122	2.3
150	122	0.9
152	122	-3.9
154	122	-2.7
156	122	1.4
158	122	1
160	122	-5
162	122	-4.6
164	122	1.8
166	122	2.3
168	122	-2.9
170	122	-9.3
172	122	0.5
174	122	1.5
176	122	-4.2
178	122	-8.7
180	122	1
-180	124	0.6
-178	124	1.8
-176	124	-2.7
-174	124	-6.7
-172	124	1.2
-170	124	2.8
-168	124	-0.1
-166	124	-4.4
-164	124	0.7
-162	124	2.8
-160	124	0.9
-158	124	-3.1
-156	124	0.3
-154	124	3.1
-152	124	2.7
-150	124	0.3
-148	124	0.5
-146	124	2.9
-144	124	3.4
-142	124	1.7
-140	124	0.4
-138	124	2.4
-136	124	4
-134	124	3.5
-132	124	1.1
-130	124	0.1
-128	124	3.1
-126	124	5.3
-124	124	5.7
-122	124	4.3
-120	124	1.1
-118	124	-1.5
-116	124	0.9
-114	124	3.5
-112	124	4.8
-110	124	5.1
-108	124	4.8
-106	124	4.4
-104	124	4.4
-102	124	4.9
-100	124	5.4
-98	124	5.6
-96	124	5.3
-94	124	4.7
-92	124	4.1
-90	124	3.8
-88	124	4.1
-86	124	4.6
-84	124	4.9
-82	124	4.7
-80	124	4
-78	124	3.1
-76	124	3.1
-74	124	4.1
-72	124	5
-70	124	5.2
-68	124	4.6
-66	124	3.1
-64	124	1.8
-62	124	1.7
-60	124	2.4
-58	124	2.9
-56	124	2.7
-54	124	2.2
-52	124	1.9
-50	124	2
-48	124	2
-46	124	2
-44	124	2.4
-42	124	2.7
-40	124	2.1
-38	124	0.6
-36	124	0.4
-34	124	1.9
-32	124	2.2
-30	124	-0.3
-28	124	-4.9
-26	124	-0.8
-24	124	2
-22	124	0.8
-20	124	-6
-18	124	-2.6

-16	124	2.4
-14	124	2.3
-12	124	-3.6
-10	124	-9.3
-8	124	0.6
-6	124	1.5
-4	124	-4
-2	124	-9.4
0	124	0.6
2	124	1.7
4	124	-3
6	124	-6.3
8	124	1.4
10	124	2.8
12	124	-0.1
14	124	-4.5
16	124	0.7
18	124	2.7
20	124	0.8
22	124	-3.3
24	124	0.2
26	124	3
28	124	2.6
30	124	0.2
32	124	0.4
34	124	2.8
36	124	3.3
38	124	1.7
40	124	0.3
42	124	2.3
44	124	4
46	124	3.6
48	124	1.2
50	124	0.3
52	124	3.3
54	124	5.5
56	124	5.9
58	124	4.4
60	124	1.2
62	124	-1.3
64	124	0.9
66	124	3.5
68	124	4.8
70	124	5.1
72	124	4.8
74	124	4.5
76	124	4.5
78	124	5
80	124	5.5
82	124	5.6
84	124	5.3
86	124	4.7
88	124	4.1
90	124	3.8
92	124	4.1
94	124	4.6
96	124	4.9
98	124	4.7
100	124	3.9
102	124	3
104	124	3.1
106	124	4.2
108	124	5
110	124	5.2
112	124	4.5
114	124	3.1
116	124	1.8
118	124	1.8
120	124	2.6
122	124	3.1
124	124	2.9
126	124	2.3
128	124	2
130	124	2.1
132	124	2.1
134	124	2.1
136	124	2.5
138	124	2.8
140	124	2.1
142	124	0.6
144	124	0.4
146	124	1.8
148	124	2.1
150	124	-0.5
152	124	-5
154	124	-0.9
156	124	1.9
158	124	0.6
160	124	-6.3
162	124	-2.6
164	124	2.4
166	124	2.3
168	124	-3.5
170	124	-9.8
172	124	0.5
174	124	1.5
176	124	-3.8
178	124	-9.7
180	124	0.6
-180	126	0.5
-178	126	2
-176	126	-1.9
-174	126	-9.2
-172	126	0.6
-170	126	3.1
-168	126	1
-166	126	-4.9
-164	126	-0.5
-162	126	2.9
-160	126	2.3
-158	126	-1.5
-156	126	-1.1
-154	126	2.7
-152	126	3.5
-150	126	1.7
-148	126	-0.3
-146	126	1.7
-144	126	3.4
-142	126	2.9

-140	126	0.7
-138	126	0.5
-136	126	2.9
-134	126	3.9
-132	126	2.8
-130	126	-0.3
-128	126	-1
-126	126	2.6
-124	126	5
-122	126	5.6
-120	126	4.8
-118	126	2.6
-116	126	-0.1
-114	126	0.3
-112	126	2.9
-110	126	4.8
-108	126	5.5
-106	126	5.5
-104	126	5
-102	126	4.7
-100	126	4.8
-98	126	5.1
-96	126	5.4
-94	126	5.6
-92	126	5.7
-90	126	5.4
-88	126	4.7
-86	126	3.7
-84	126	2.5
-82	126	1.3
-80	126	0.9
-78	126	1.9
-76	126	3.5
-74	126	4.8
-72	126	5.2
-70	126	4.8
-68	126	3.5
-66	126	2.2
-64	126	2.1
-62	126	3
-60	126	3.6
-58	126	3.3
-56	126	2.3
-54	126	1.4
-52	126	1.5
-50	126	1.9
-48	126	2.1
-46	126	2.2
-44	126	2.2
-42	126	2.1
-40	126	1.4
-38	126	0.7
-36	126	1.2
-34	126	2.1
-32	126	1.3
-30	126	-2.1
-28	126	-3.5
-26	126	0.7
-24	126	2.2
-22	126	-0.1
-20	126	-7.1
-18	126	-1.3
-16	126	2.6
-14	126	2
-12	126	-5
-10	126	-7.9
-8	126	0.9
-6	126	1.7
-4	126	-3.7
-2	126	-9.9
0	126	0.5
2	126	2
4	126	-2.1
6	126	-8.6
8	126	0.8
10	126	3.1
12	126	0.9
14	126	-5.1
16	126	-0.4
18	126	3
20	126	2.3
22	126	-1.7
24	126	-1.2
26	126	2.7
28	126	3.6
30	126	1.7
32	126	-0.4
34	126	1.5
36	126	3.3
38	126	2.8
40	126	0.6
42	126	0.5
44	126	2.9
46	126	4
48	126	2.9
50	126	0
52	126	-0.7
54	126	2.8
56	126	5.2
58	126	5.8
60	126	5
62	126	2.8
64	126	0.1
66	126	0.3
68	126	2.9
70	126	4.7
72	126	5.5
74	126	5.5
76	126	5.1
78	126	4.8
80	126	4.8
82	126	5.1
84	126	5.4
86	126	5.7
88	126	5.7
90	126	5.4
92	126	4.8
94	126	3.8
96	126	2.5

98	126	1.3
100	126	0.9
102	126	1.8
104	126	3.4
106	126	4.7
108	126	5.2
110	126	4.7
112	126	3.5
114	126	2.2
116	126	2.1
118	126	3
120	126	3.6
122	126	3.3
124	126	2.3
126	126	1.6
128	126	1.7
130	126	2.1
132	126	2.2
134	126	2.2
136	126	2.3
138	126	2.2
140	126	1.4
142	126	0.6
144	126	1.2
146	126	2.2
148	126	1.5
150	126	-1.8
152	126	-3.5
154	126	0.6
156	126	2.2
158	126	-0.1
160	126	-7.2
162	126	-1.1
164	126	2.8
166	126	2.1
168	126	-4.7
170	126	-8.5
172	126	0.8
174	126	1.6
176	126	-3.7
178	126	-9.8
180	126	0.5
-180	128	0.7
-178	128	2.6
-176	128	-0.5
-174	128	-11.2
-172	128	-0.6
-170	128	2.9
-168	128	1.8
-166	128	-4.1
-164	128	-2.7
-162	128	2.3
-160	128	2.9
-158	128	0.2
-156	128	-2.4
-154	128	1.5
-152	128	3.6
-150	128	3
-148	128	0.6
-146	128	0.4
-144	128	2.5
-142	128	3.2
-140	128	1.8
-138	128	-0.4
-136	128	1
-134	128	3.4
-132	128	4.2
-130	128	2.9
-128	128	-0.3
-126	128	-1.2
-124	128	2.6
-122	128	5.3
-120	128	6.4
-118	128	6
-116	128	4.4
-114	128	2
-112	128	0.6
-110	128	1.5
-108	128	2.7
-106	128	2.9
-104	128	2.4
-102	128	1.4
-100	128	0.7
-98	128	0.9
-96	128	1.9
-94	128	3.2
-92	128	4.1
-90	128	4.4
-88	128	3.9
-86	128	3
-84	128	2.1
-82	128	2
-80	128	2.9
-78	128	3.9
-76	128	4.5
-74	128	4.5
-72	128	3.7
-70	128	2.3
-68	128	1
-66	128	1.3
-64	128	2.6
-62	128	3.5
-60	128	3.4
-58	128	2.4
-56	128	1.3
-54	128	1.2
-52	128	2
-50	128	2.5
-48	128	2.5
-46	128	2.3
-44	128	2.1
-42	128	1.7
-40	128	1.2
-38	128	1.1
-36	128	1.8
-34	128	1.9
-32	128	0.3
-30	128	-2.9
-28	128	-1.6

-26	128	1.6
-24	128	2
-22	128	-1.4
-20	128	-7.1
-18	128	-0.2
-16	128	2.7
-14	128	1.3
-12	128	-7.3
-10	128	-5.8
-8	128	1.5
-6	128	2
-4	128	-3.3
-2	128	-10.2
0	128	0.7
2	128	2.6
4	128	-0.5
6	128	-10.5
8	128	-0.5
10	128	2.9
12	128	1.8
14	128	-4.1
16	128	-2.6
18	128	2.3
20	128	2.9
22	128	0.2
24	128	-2.4
26	128	1.5
28	128	3.6
30	128	2.9
32	128	0.5
34	128	0.3
36	128	2.5
38	128	3.2
40	128	1.7
42	128	-0.6
44	128	0.9
46	128	3.5
48	128	4.3
50	128	3.1
52	128	-0.1
54	128	-1.3
56	128	2.6
58	128	5.4
60	128	6.5
62	128	6.1
64	128	4.5
66	128	2
68	128	0.5
70	128	1.4
72	128	2.6
74	128	2.9
76	128	2.3
78	128	1.4
80	128	0.7
82	128	0.9
84	128	2
86	128	3.2
88	128	4.1
90	128	4.4
92	128	3.9
94	128	3
96	128	2.1
98	128	2
100	128	2.8
102	128	3.8
104	128	4.5
106	128	4.5
108	128	3.8
110	128	2.4
112	128	1.1
114	128	1.4
116	128	2.7
118	128	3.5
120	128	3.4
122	128	2.4
124	128	1.4
126	128	1.4
128	128	2.2
130	128	2.6
132	128	2.4
134	128	2.2
136	128	2
138	128	1.7
140	128	1.1
142	128	0.9
144	128	1.6
146	128	1.9
148	128	0.4
150	128	-2.8
152	128	-1.7
154	128	1.5
156	128	1.8
158	128	-1.7
160	128	-7.2
162	128	0
164	128	2.9
166	128	1.5
168	128	-7
170	128	-6.1
172	128	1.4
174	128	1.9
176	128	-3.4
178	128	-10.1
180	128	0.7
-180	130	0.8
-178	130	3.1
-176	130	0.8
-174	130	-9.2
-172	130	-2.7
-170	130	2.4
-168	130	2.4
-166	130	-2
-164	130	-5.8
-162	130	0.6
-160	130	2.7
-158	130	1.2
-156	130	-2.6
-154	130	-0.6
-152	130	2.8

-150	130	3.5
-148	130	2
-146	130	0.2
-144	130	1.5
-142	130	3.2
-140	130	3.1
-138	130	1.1
-136	130	-1.1
-134	130	1.2
-132	130	3.8
-130	130	4.5
-128	130	3.3
-126	130	0
-124	130	-2.2
-122	130	1.4
-120	130	4.4
-118	130	5.7
-116	130	5.7
-114	130	4.6
-112	130	2.7
-110	130	0.9
-108	130	0.3
-106	130	1.2
-104	130	2.5
-102	130	3.4
-100	130	3.7
-98	130	3.4
-96	130	2.7
-94	130	1.8
-92	130	1.3
-90	130	1.1
-88	130	1.2
-86	130	1.9
-84	130	3.1
-82	130	4.3
-80	130	5.1
-78	130	5.2
-76	130	4.7
-74	130	3.3
-72	130	1.4
-70	130	0.1
-68	130	0.8
-66	130	2.2
-64	130	3
-62	130	2.9
-60	130	1.8
-58	130	0.6
-56	130	0.8
-54	130	1.9
-52	130	2.7
-50	130	2.7
-48	130	2.3
-46	130	2.1
-44	130	2.1
-42	130	1.8
-40	130	1.4
-38	130	1.3
-36	130	1.6
-34	130	1.2
-32	130	-0.9
-30	130	-3
-28	130	-0.6
-26	130	1.6
-24	130	1
-22	130	-3.5
-20	130	-5.8
-18	130	0.6
-16	130	2.6
-14	130	0.4
-12	130	-11.1
-10	130	-4
-8	130	2
-6	130	2.1
-4	130	-3.2
-2	130	-11
0	130	0.8
2	130	3.1
4	130	0.9
6	130	-8.7
8	130	-2.6
10	130	2.3
12	130	2.3
14	130	-2.1
16	130	-5.8
18	130	0.8
20	130	2.8
22	130	1.3
24	130	-2.6
26	130	-0.7
28	130	2.7
30	130	3.4
32	130	1.9
34	130	0.3
36	130	1.7
38	130	3.3
40	130	3.1
42	130	0.9
44	130	-1.2
46	130	1.3
48	130	3.9
50	130	4.6
52	130	3.4
54	130	0.1
56	130	-2.2
58	130	1.5
60	130	4.5
62	130	5.8
64	130	5.7
66	130	4.6
68	130	2.7
70	130	0.8
72	130	0.3
74	130	1.2
76	130	2.5
78	130	3.4
80	130	3.8
82	130	3.5
84	130	2.7
86	130	1.8

88	130	1.1
90	130	0.9
92	130	1
94	130	1.8
96	130	3
98	130	4.2
100	130	5
102	130	5.2
104	130	4.6
106	130	3.3
108	130	1.4
110	130	0.2
112	130	0.9
114	130	2.3
116	130	3.1
118	130	2.9
120	130	1.8
122	130	0.7
124	130	0.8
126	130	1.9
128	130	2.6
130	130	2.6
132	130	2.3
134	130	2.1
136	130	2.1
138	130	1.9
140	130	1.3
142	130	1.2
144	130	1.5
146	130	1.1
148	130	-1
150	130	-3.2
152	130	-0.7
154	130	1.5
156	130	0.9
158	130	-3.9
160	130	-6.1
162	130	0.6
164	130	2.6
166	130	0.4
168	130	-11.3
170	130	-4
172	130	1.9
174	130	2.1
176	130	-3.3
178	130	-10.7
180	130	0.8
-180	132	0.8
-178	132	3.3
-176	132	1.7
-174	132	-6.1
-172	132	-4.8
-170	132	1.9
-168	132	3
-166	132	0.2
-164	132	-6.9
-162	132	-1.8
-160	132	2
-158	132	1.9
-156	132	-1.2
-154	132	-3.1
-152	132	1
-150	132	3
-148	132	2.7
-146	132	0.7
-144	132	0.3
-142	132	2.5
-140	132	3.8
-138	132	3.2
-136	132	0.5
-134	132	-1.9
-132	132	0.8
-130	132	3.5
-128	132	4.4
-126	132	3.4
-124	132	0.5
-122	132	-4.2
-120	132	-2.7
-118	132	1.6
-116	132	4.1
-114	132	5.3
-112	132	5.5
-110	132	5.2
-108	132	4.6
-106	132	4.4
-104	132	4.8
-102	132	5.5
-100	132	6
-98	132	5.9
-96	132	5.4
-94	132	4.5
-92	132	3.7
-90	132	3.2
-88	132	3.3
-86	132	3.7
-84	132	4.3
-82	132	4.6
-80	132	4.4
-78	132	3.5
-76	132	2
-74	132	0.3
-72	132	0.1
-70	132	1.5
-68	132	2.9
-66	132	3.4
-64	132	2.9
-62	132	1.6
-60	132	0.2
-58	132	0.5
-56	132	1.9
-54	132	2.8
-52	132	3
-50	132	2.6
-48	132	2.2
-46	132	2.2
-44	132	2.3
-42	132	2
-40	132	1.5
-38	132	1.3

-36	132	1.1
-34	132	0.1
-32	132	-2.1
-30	132	-2.5
-28	132	0
-26	132	1.2
-24	132	-0.4
-22	132	-5.7
-20	132	-4
-18	132	1
-16	132	2.1
-14	132	-1
-12	132	-18.4
-10	132	-2.5
-8	132	2.3
-6	132	2.2
-4	132	-3.2
-2	132	-11.4
0	132	0.7
2	132	3.3
4	132	1.7
6	132	-6.1
8	132	-4.8
10	132	1.9
12	132	2.9
14	132	0.2
16	132	-6.6
18	132	-1.6
20	132	2
22	132	1.9
24	132	-1.4
26	132	-3.2
28	132	0.9
30	132	3
32	132	2.6
34	132	0.6
36	132	0.3
38	132	2.5
40	132	3.8
42	132	3.2
44	132	0.5
46	132	-1.9
48	132	0.8
50	132	3.6
52	132	4.5
54	132	3.6
56	132	0.7
58	132	-3.9
60	132	-2.6
62	132	1.7
64	132	4.2
66	132	5.3
68	132	5.6
70	132	5.2
72	132	4.6
74	132	4.3
76	132	4.7
78	132	5.5
80	132	6
82	132	6
84	132	5.5
86	132	4.6
88	132	3.7
90	132	3.2
92	132	3.3
94	132	3.8
96	132	4.3
98	132	4.6
100	132	4.4
102	132	3.4
104	132	1.8
106	132	0
108	132	-0.1
110	132	1.4
112	132	2.8
114	132	3.4
116	132	2.9
118	132	1.6
120	132	0.2
122	132	0.4
124	132	1.7
126	132	2.7
128	132	2.8
130	132	2.5
132	132	2.2
134	132	2.3
136	132	2.4
138	132	2
140	132	1.4
142	132	1.2
144	132	1.1
146	132	0.2
148	132	-2.1
150	132	-2.6
152	132	-0.1
154	132	1.2
156	132	-0.4
158	132	-6
160	132	-4.1
162	132	1
164	132	2.1
166	132	-1.1
168	132	-19.7
170	132	-2.4
172	132	2.3
174	132	2.2
176	132	-3.2
178	132	-11.1
180	132	0.8
-180	134	0.6
-178	134	3.5
-176	134	2.5
-174	134	-3.3
-172	134	-7.2
-170	134	1.1
-168	134	3.3
-166	134	1.9
-164	134	-3.6
-162	134	-4.6

-160	134	0.9
-158	134	2.3
-156	134	0.7
-154	134	-3.3
-152	134	-1.8
-150	134	1.7
-148	134	2.7
-146	134	1.4
-144	134	-0.9
-142	134	0.1
-140	134	2.8
-138	134	3.9
-136	134	3.2
-134	134	0.5
-132	134	-2.2
-130	134	0.1
-128	134	3.2
-126	134	4.6
-124	134	4.6
-122	134	3.1
-120	134	0.1
-118	134	-2.8
-116	134	-0.7
-114	134	2.6
-112	134	4.5
-110	134	5.2
-108	134	5.1
-106	134	4.3
-104	134	3.4
-102	134	2.7
-100	134	2.6
-98	134	2.8
-96	134	3.2
-94	134	3.7
-92	134	4.3
-90	134	4.7
-88	134	4.9
-86	134	4.6
-84	134	3.8
-82	134	2.5
-80	134	0.7
-78	134	-1
-76	134	-1
-74	134	0.7
-72	134	2.5
-70	134	3.6
-68	134	3.7
-66	134	2.9
-64	134	1.4
-62	134	0.3
-60	134	0.8
-58	134	2.3
-56	134	3.3
-54	134	3.5
-52	134	2.9
-50	134	2.3
-48	134	2.1
-46	134	2.3
-44	134	2.2
-42	134	1.7
-40	134	1.2
-38	134	0.9
-36	134	0.4
-34	134	-1
-32	134	-2.5
-30	134	-1.5
-28	134	0.4
-26	134	0.6
-24	134	-2
-22	134	-6.3
-20	134	-1.9
-18	134	1.5
-16	134	1.5
-14	134	-2.8
-12	134	-16.1
-10	134	-0.8
-8	134	2.9
-6	134	2.5
-4	134	-2.7
-2	134	-12.7
0	134	0.6
2	134	3.5
4	134	2.5
6	134	-3.4
8	134	-7
10	134	1.3
12	134	3.4
14	134	1.9
16	134	-3.6
18	134	-4.6
20	134	0.9
22	134	2.3
24	134	0.6
26	134	-3.6
28	134	-1.9
30	134	1.7
32	134	2.7
34	134	1.3
36	134	-1.1
38	134	0.1
40	134	2.8
42	134	4
44	134	3.2
46	134	0.5
48	134	-2.2
50	134	0.3
52	134	3.4
54	134	4.8
56	134	4.7
58	134	3.2
60	134	0
62	134	-3.2
64	134	-0.8
66	134	2.5
68	134	4.5
70	134	5.2
72	134	5
74	134	4.2
76	134	3.2

78	134	2.6
80	134	2.5
82	134	2.8
84	134	3.3
86	134	3.8
88	134	4.4
90	134	4.8
92	134	4.9
94	134	4.5
96	134	3.7
98	134	2.4
100	134	0.7
102	134	-1
104	134	-1.1
106	134	0.7
108	134	2.5
110	134	3.5
112	134	3.6
114	134	2.8
116	134	1.3
118	134	0.2
120	134	0.8
122	134	2.3
124	134	3.3
126	134	3.4
128	134	2.9
130	134	2.3
132	134	2.2
134	134	2.4
136	134	2.3
138	134	1.7
140	134	1.1
142	134	0.9
144	134	0.5
146	134	-0.9
148	134	-2.6
150	134	-1.6
152	134	0.4
154	134	0.7
156	134	-1.9
158	134	-6.6
160	134	-2.1
162	134	1.5
164	134	1.5
166	134	-2.8
168	134	-17.7
170	134	-0.8
172	134	2.9
174	134	2.5
176	134	-2.8
178	134	-12.6
180	134	0.6
-180	136	0.5
-178	136	3.8
-176	136	3.3
-174	136	-1.1
-172	136	-9.3
-170	136	-0.1
-168	136	3.3
-166	136	3
-164	136	-0.5
-162	136	-5.9
-160	136	-1
-158	136	2.1
-156	136	2
-154	136	-0.9
-152	136	-4.3
-150	136	-0.8
-148	136	2
-146	136	2.3
-144	136	0.4
-142	136	-2
-140	136	-0.3
-138	136	2.6
-136	136	3.8
-134	136	3.3
-132	136	0.9
-130	136	-2.2
-128	136	-0.6
-126	136	3
-124	136	5.1
-122	136	5.8
-120	136	5.3
-118	136	3.6
-116	136	0.9
-114	136	-1.5
-112	136	-0.9
-110	136	1.1
-108	136	2.4
-106	136	2.9
-104	136	2.8
-102	136	2.4
-100	136	2.1
-98	136	2
-96	136	2.3
-94	136	2.9
-92	136	3.4
-90	136	3.5
-88	136	3
-86	136	1.9
-84	136	0.3
-82	136	-0.8
-80	136	-0.1
-78	136	1.6
-76	136	3.1
-74	136	4
-72	136	4.1
-70	136	3.5
-68	136	2.1
-66	136	0.3
-64	136	-0.4
-62	136	1
-60	136	2.7
-58	136	3.7
-56	136	3.8
-54	136	3.1
-52	136	2.2
-50	136	1.8
-48	136	2

-46	136	2.1
-44	136	1.8
-42	136	1.1
-40	136	0.6
-38	136	0.2
-36	136	-0.6
-34	136	-1.8
-32	136	-2.1
-30	136	-0.5
-28	136	0.6
-26	136	-0.1
-24	136	-3.2
-22	136	-4.5
-20	136	-0.3
-18	136	1.9
-16	136	1.1
-14	136	-4.3
-12	136	-9.8
-10	136	0.3
-8	136	3.3
-6	136	2.7
-4	136	-2.6
-2	136	-14.5
0	136	0.5
2	136	3.8
4	136	3.4
6	136	-0.9
8	136	-9.2
10	136	-0.1
12	136	3.2
14	136	2.9
16	136	-0.7
18	136	-6.2
20	136	-0.9
22	136	2.2
24	136	2
26	136	-1.1
28	136	-4.5
30	136	-0.8
32	136	2
34	136	2.3
36	136	0.4
38	136	-2.1
40	136	-0.3
42	136	2.6
44	136	3.8
46	136	3.2
48	136	0.8
50	136	-2.2
52	136	-0.4
54	136	3.1
56	136	5.1
58	136	5.8
60	136	5.2
62	136	3.5
64	136	0.8
66	136	-1.7
68	136	-1
70	136	1
72	136	2.3
74	136	2.9
76	136	2.8
78	136	2.5
80	136	2.2
82	136	2.2
84	136	2.5
86	136	3
88	136	3.4
90	136	3.5
92	136	3
94	136	1.9
96	136	0.3
98	136	-0.7
100	136	0
102	136	1.7
104	136	3.2
106	136	4.1
108	136	4.2
110	136	3.6
112	136	2.2
114	136	0.3
116	136	-0.4
118	136	1
120	136	2.7
122	136	3.7
124	136	3.8
126	136	3.1
128	136	2.2
130	136	1.8
132	136	2.1
134	136	2.2
136	136	1.8
138	136	1.1
140	136	0.6
142	136	0.4
144	136	-0.2
146	136	-1.7
148	136	-2.3
150	136	-0.7
152	136	0.6
154	136	0
156	136	-2.9
158	136	-4.6
160	136	-0.5
162	136	1.8
164	136	1
166	136	-4.3
168	136	-10
170	136	0.2
172	136	3.2
174	136	2.6
176	136	-2.8
178	136	-14.2
180	136	0.5
-180	138	0
-178	138	3.7
-176	138	3.8
-174	138	0.5
-172	138	-8.1

-170	138	-2
-168	138	2.7
-166	138	3.6
-164	138	1.6
-162	138	-3.5
-160	138	-3.5
-158	138	1
-156	138	2.5
-154	138	1.3
-152	138	-2.4
-150	138	-3.9
-148	138	0
-146	138	2.2
-144	138	2.2
-142	138	0.2
-140	138	-2.2
-138	138	-0.7
-136	138	2.2
-134	138	3.6
-132	138	3.2
-130	138	1.1
-128	138	-2.8
-126	138	-3.1
-124	138	1.3
-122	138	4.3
-120	138	5.7
-118	138	6.1
-116	138	5.5
-114	138	4.2
-112	138	2.4
-110	138	0.9
-108	138	0.9
-106	138	1.9
-104	138	3
-102	138	3.8
-100	138	4
-98	138	3.8
-96	138	3.2
-94	138	2.4
-92	138	1.3
-90	138	0.2
-88	138	-0.5
-86	138	-0.2
-84	138	1.1
-82	138	2.8
-80	138	4
-78	138	4.7
-76	138	4.7
-74	138	4
-72	138	2.5
-70	138	0.4
-68	138	-1.4
-66	138	-0.7
-64	138	1.4
-62	138	3
-60	138	3.6
-58	138	3.3
-56	138	2.3
-54	138	1.2
-52	138	0.8
-50	138	1.4
-48	138	2
-46	138	1.8
-44	138	1
-42	138	0
-40	138	-0.5
-38	138	-0.8
-36	138	-1.4
-34	138	-2
-32	138	-1.4
-30	138	-0.1
-28	138	0.4
-26	138	-0.9
-24	138	-3.4
-22	138	-2.4
-20	138	0.8
-18	138	2
-16	138	0.6
-14	138	-5.2
-12	138	-6.8
-10	138	0.7
-8	138	3.3
-6	138	2.5
-4	138	-2.6
-2	138	-17.2
0	138	0
2	138	3.7
4	138	3.9
6	138	0.6
8	138	-8.2
10	138	-2.2
12	138	2.6
14	138	3.5
16	138	1.6
18	138	-3.5
20	138	-3.5
22	138	1
24	138	2.4
26	138	1.2
28	138	-2.5
30	138	-3.9
32	138	0
34	138	2.2
36	138	2.1
38	138	0.1
40	138	-2.5
42	138	-0.8
44	138	2.1
46	138	3.5
48	138	3.2
50	138	1.1
52	138	-2.8
54	138	-3.1
56	138	1.3
58	138	4.2
60	138	5.7
62	138	6
64	138	5.5
66	138	4.2

68	138	2.4
70	138	0.9
72	138	0.8
74	138	1.9
76	138	3.1
78	138	3.9
80	138	4.1
82	138	3.9
84	138	3.4
86	138	2.5
88	138	1.4
90	138	0.3
92	138	-0.3
94	138	0
96	138	1.4
98	138	3
100	138	4.2
102	138	4.8
104	138	4.8
106	138	4.1
108	138	2.6
110	138	0.5
112	138	-1.3
114	138	-0.7
116	138	1.4
118	138	2.9
120	138	3.6
122	138	3.3
124	138	2.2
126	138	1
128	138	0.8
130	138	1.5
132	138	2.1
134	138	1.9
136	138	1
138	138	0
140	138	-0.5
142	138	-0.5
144	138	-1.1
146	138	-1.9
148	138	-1.5
150	138	-0.1
152	138	0.4
154	138	-0.7
156	138	-3.1
158	138	-2.4
160	138	0.7
162	138	2
164	138	0.6
166	138	-5.1
168	138	-6.8
170	138	0.7
172	138	3.2
174	138	2.5
176	138	-2.7
178	138	-16.6
180	138	0
-180	140	-1.3
-178	140	3.1
-176	140	3.8
-174	140	1.6
-172	140	-4.9
-170	140	-4.6
-168	140	1.6
-166	140	3.6
-164	140	3
-162	140	-0.2
-160	140	-4.1
-158	140	-0.8
-156	140	2.1
-154	140	2.6
-152	140	0.8
-150	140	-2.6
-148	140	-2.8
-146	140	0.5
-144	140	2.2
-142	140	2.1
-140	140	0.1
-138	140	-2.4
-136	140	-1.2
-134	140	1.7
-132	140	3.4
-130	140	3.6
-128	140	2.3
-126	140	-0.9
-124	140	-5.9
-122	140	-3.6
-120	140	1.2
-118	140	4
-116	140	5.4
-114	140	5.9
-112	140	5.7
-110	140	5
-108	140	3.9
-106	140	2.7
-104	140	1.9
-102	140	1.4
-100	140	1.1
-98	140	0.9
-96	140	0.7
-94	140	0.8
-92	140	1.3
-90	140	2.2
-88	140	3.3
-86	140	4.2
-84	140	4.8
-82	140	5.1
-80	140	4.8
-78	140	4
-76	140	2.4
-74	140	0
-72	140	-2.4
-70	140	-2.1
-68	140	0.3
-66	140	2.3
-64	140	3.3
-62	140	3.3
-60	140	2.5
-58	140	0.9

-56	140	-0.5
-54	140	-0.4
-52	140	0.7
-50	140	1.5
-48	140	1.5
-46	140	0.5
-44	140	-0.8
-42	140	-1.6
-40	140	-1.4
-38	140	-1.3
-36	140	-1.5
-34	140	-1.6
-32	140	-0.8
-30	140	0.1
-28	140	0.1
-26	140	-1.4
-24	140	-2.8
-22	140	-1.1
-20	140	1.3
-18	140	1.9
-16	140	0
-14	140	-5.4
-12	140	-4.9
-10	140	1
-8	140	3.2
-6	140	2.5
-4	140	-2.1
-2	140	-25.4
0	140	-1.2
2	140	3.2
4	140	3.9
6	140	1.7
8	140	-4.9
10	140	-4.8
12	140	1.6
14	140	3.7
16	140	3.1
18	140	-0.1
20	140	-4.2
22	140	-1.1
24	140	1.9
26	140	2.5
28	140	0.8
30	140	-2.5
32	140	-2.7
34	140	0.4
36	140	2.1
38	140	1.9
40	140	-0.1
42	140	-2.7
44	140	-1.2
46	140	1.9
48	140	3.6
50	140	3.8
52	140	2.5
54	140	-0.7
56	140	-5.9
58	140	-3.8
60	140	1.1
62	140	3.9
64	140	5.4
66	140	5.9
68	140	5.7
70	140	4.9
72	140	3.8
74	140	2.7
76	140	1.8
78	140	1.3
80	140	1
82	140	0.8
84	140	0.6
86	140	0.7
88	140	1.3
90	140	2.3
92	140	3.3
94	140	4.3
96	140	4.9
98	140	5.2
100	140	5
102	140	4.1
104	140	2.5
106	140	0.1
108	140	-2.3
110	140	-2.1
112	140	0.3
114	140	2.2
116	140	3.2
118	140	3.2
120	140	2.4
122	140	0.8
124	140	-0.7
126	140	-0.7
128	140	0.6
130	140	1.5
132	140	1.6
134	140	0.7
136	140	-0.8
138	140	-1.7
140	140	-1.5
142	140	-1.3
144	140	-1.5
146	140	-1.6
148	140	-0.8
150	140	0.2
152	140	0.1
154	140	-1.3
156	140	-2.8
158	140	-1.1
160	140	1.3
162	140	1.9
164	140	0.1
166	140	-5.4
168	140	-5
170	140	0.9
172	140	3.2
174	140	2.5
176	140	-2.1
178	140	-25.3
180	140	-1.3

-180	142	-2.9
-178	142	2.3
-176	142	3.7
-174	142	2.4
-172	142	-2.1
-170	142	-6.8
-168	142	-0.3
-166	142	3
-164	142	3.5
-162	142	1.9
-160	142	-1.5
-158	142	-2.3
-156	142	0.9
-154	142	2.7
-152	142	2.6
-150	142	0.7
-148	142	-2.1
-146	142	-1.6
-144	142	1
-142	142	2.4
-140	142	2.2
-138	142	0.3
-136	142	-2.8
-134	142	-2.5
-132	142	1
-130	142	3.3
-128	142	4.3
-126	142	4
-124	142	2.4
-122	142	-0.8
-120	142	-6.5
-118	142	-6.6
-116	142	-1.2
-114	142	1.9
-112	142	3.6
-110	142	4.4
-108	142	4.6
-106	142	4.4
-104	142	4
-102	142	3.6
-100	142	3.4
-98	142	3.5
-96	142	3.8
-94	142	4.2
-92	142	4.7
-90	142	4.9
-88	142	5
-86	142	4.6
-84	142	3.8
-82	142	2.5
-80	142	0.3
-78	142	-2.6
-76	142	-4.7
-74	142	-2.9
-72	142	0
-70	142	2
-68	142	3
-66	142	3.1
-64	142	2.4
-62	142	0.9
-60	142	-1
-58	142	-1.8
-56	142	-0.7
-54	142	0.7
-52	142	1.3
-50	142	0.9
-48	142	-0.4
-46	142	-2.2
-44	142	-2.8
-42	142	-1.8
-40	142	-1
-38	142	-0.9
-36	142	-1.4
-34	142	-1.3
-32	142	-0.4
-30	142	0.3
-28	142	-0.1
-26	142	-1.4
-24	142	-2
-22	142	-0.4
-20	142	1.3
-18	142	1.4
-16	142	-0.7
-14	142	-5.4
-12	142	-3.7
-10	142	1.1
-8	142	3
-6	142	2.4
-4	142	-1.7
-2	142	-21.3
0	142	-2.8
2	142	2.4
4	142	3.8
6	142	2.5
8	142	-2.2
10	142	-7.2
12	142	-0.3
14	142	3.1
16	142	3.6
18	142	2
20	142	-1.4
22	142	-2.3
24	142	0.9
26	142	2.7
28	142	2.7
30	142	0.8
32	142	-2
34	142	-1.6
36	142	1
38	142	2.5
40	142	2.2
42	142	0.4
44	142	-2.6
46	142	-2.2
48	142	1.1
50	142	3.5
52	142	4.4
54	142	4.1
56	142	2.4

58	142	-0.9
60	142	-7
62	142	-6.9
64	142	-1.2
66	142	1.9
68	142	3.6
70	142	4.4
72	142	4.5
74	142	4.3
76	142	3.9
78	142	3.5
80	142	3.3
82	142	3.4
84	142	3.8
86	142	4.2
88	142	4.6
90	142	4.9
92	142	4.9
94	142	4.5
96	142	3.7
98	142	2.4
100	142	0.2
102	142	-2.6
104	142	-4.4
106	142	-2.5
108	142	0.2
110	142	2.1
112	142	3
114	142	3.1
116	142	2.4
118	142	0.8
120	142	-1.1
122	142	-2
124	142	-1
126	142	0.4
128	142	1.1
130	142	0.8
132	142	-0.4
134	142	-2.1
136	142	-2.8
138	142	-2
140	142	-1.1
142	142	-1.1
144	142	-1.6
146	142	-1.6
148	142	-0.6
150	142	0.1
152	142	-0.2
154	142	-1.6
156	142	-2.2
158	142	-0.4
160	142	1.3
162	142	1.4
164	142	-0.7
166	142	-5.6
168	142	-3.9
170	142	1.1
172	142	3
174	142	2.4
176	142	-1.6
178	142	-20.4
180	142	-2.9
-180	144	-4.7
-178	144	1.4
-176	144	3.3
-174	144	2.7
-172	144	-0.5
-170	144	-6.5
-168	144	-2.7
-166	144	1.8
-164	144	3.3
-162	144	2.9
-160	144	0.7
-158	144	-1.8
-156	144	-0.5
-154	144	1.9
-152	144	3
-150	144	2.5
-148	144	0.5
-146	144	-1.5
-144	144	-0.5
-142	144	1.8
-140	144	3
-138	144	2.9
-136	144	1.2
-134	144	-2.2
-132	144	-5.3
-130	144	-1.8
-128	144	1.8
-126	144	3.8
-124	144	4.5
-122	144	4.3
-120	144	3.1
-118	144	0.9
-116	144	-2.7
-114	144	-8.2
-112	144	-9.7
-110	144	-4.7
-108	144	-1.4
-106	144	0.6
-104	144	1.9
-102	144	2.7
-100	144	3.2
-98	144	3.4
-96	144	3.4
-94	144	3.1
-92	144	2.5
-90	144	1.5
-88	144	-0.2
-86	144	-2.7
-84	144	-6.5
-82	144	-8.6
-80	144	-4.9
-78	144	-1.3
-76	144	1.2
-74	144	2.6
-72	144	3.3
-70	144	3.2
-68	144	2.4

-66	144	0.8
-64	144	-1.5
-62	144	-3
-60	144	-2
-58	144	-0.1
-56	144	1.1
-54	144	1.4
-52	144	0.6
-50	144	-1.1
-48	144	-2.9
-46	144	-2.9
-44	144	-1.4
-42	144	-0.4
-40	144	-0.3
-38	144	-1
-36	144	-1.7
-34	144	-1.2
-32	144	-0.1
-30	144	0.4
-28	144	-0.1
-26	144	-1.3
-24	144	-1.4
-22	144	0.1
-20	144	1.2
-18	144	0.9
-16	144	-1.5
-14	144	-5.7
-12	144	-3.4
-10	144	0.8
-8	144	2.5
-6	144	1.9
-4	144	-1.8
-2	144	-16.7
0	144	-4.5
2	144	1.5
4	144	3.3
6	144	2.7
8	144	-0.6
10	144	-6.7
12	144	-2.5
14	144	1.9
16	144	3.5
18	144	3
20	144	0.9
22	144	-1.5
24	144	-0.3
26	144	2.1
28	144	3.1
30	144	2.5
32	144	0.5
34	144	-1.6
36	144	-0.5
38	144	1.9
40	144	3.3
42	144	3.2
44	144	1.5
46	144	-1.8
48	144	-5
50	144	-1.8
52	144	1.7
54	144	3.7
56	144	4.5
58	144	4.2
60	144	2.9
62	144	0.6
64	144	-3.2
66	144	-9.3
68	144	-10.2
70	144	-4.9
72	144	-1.6
74	144	0.4
76	144	1.7
78	144	2.6
80	144	3.1
82	144	3.4
84	144	3.4
86	144	3.2
88	144	2.6
90	144	1.5
92	144	-0.2
94	144	-2.9
96	144	-6.8
98	144	-8.8
100	144	-4.8
102	144	-1.1
104	144	1.3
106	144	2.8
108	144	3.4
110	144	3.3
112	144	2.5
114	144	0.8
116	144	-1.5
118	144	-3
120	144	-2.1
122	144	-0.2
124	144	1
126	144	1.2
128	144	0.4
130	144	-1.2
132	144	-3
134	144	-2.9
136	144	-1.5
138	144	-0.4
140	144	-0.4
142	144	-1.2
144	144	-1.8
146	144	-1.3
148	144	-0.3
150	144	0.2
152	144	-0.4
154	144	-1.6
156	144	-1.6
158	144	0
160	144	1.2
162	144	0.9
164	144	-1.6
166	144	-6
168	144	-3.5
170	144	0.8

172	144	2.6
174	144	2
176	144	-1.6
178	144	-1.6
180	144	-4.7
-180	146	-6.5
-178	146	0.3
-176	146	2.5
-174	146	2.4
-172	146	0.1
-170	146	-4.8
-168	146	-4.5
-166	146	0.4
-164	146	2.7
-162	146	3.1
-160	146	1.8
-158	146	-0.6
-156	146	-1.6
-154	146	0.6
-152	146	2.5
-150	146	3.1
-148	146	2.3
-146	146	0.3
-144	146	-1.7
-142	146	-0.6
-140	146	1.9
-138	146	3.4
-136	146	3.8
-134	146	2.9
-132	146	0.7
-130	146	-3.5
-128	146	-7.8
-126	146	-3.4
-124	146	0.6
-122	146	2.9
-120	146	4
-118	146	4.4
-116	146	4.1
-114	146	3.3
-112	146	1.9
-110	146	0.1
-108	146	-2.3
-106	146	-5.1
-104	146	-7.6
-102	146	-8.8
-100	146	-8.9
-98	146	-9
-96	146	-9.6
-94	146	-9.9
-92	146	-8.8
-90	146	-6.1
-88	146	-3.3
-86	146	-0.9
-84	146	1
-82	146	2.3
-80	146	3.2
-78	146	3.6
-76	146	3.6
-74	146	2.9
-72	146	1.7
-70	146	-0.2
-68	146	-2.5
-66	146	-3.5
-64	146	-2
-62	146	0
-60	146	1.3
-58	146	1.8
-56	146	1.4
-54	146	0.1
-52	146	-1.7
-50	146	-2.7
-48	146	-1.7
-46	146	-0.3
-44	146	0.5
-42	146	0.4
-40	146	-0.5
-38	146	-1.5
-36	146	-1.4
-34	146	-0.3
-32	146	0.6
-30	146	0.6
-28	146	-0.3
-26	146	-1.4
-24	146	-1
-22	146	0.4
-20	146	1.1
-18	146	0.4
-16	146	-2.2
-14	146	-6.1
-12	146	-3.6
-10	146	0.3
-8	146	1.8
-6	146	1.2
-4	146	-2.2
-2	146	-14.8
0	146	-6.3
2	146	0.3
4	146	2.6
6	146	2.5
8	146	0.2
10	146	-4.6
12	146	-4.4
14	146	0.4
16	146	2.8
18	146	3.2
20	146	1.9
22	146	-0.5
24	146	-1.4
26	146	0.7
28	146	2.7
30	146	3.2
32	146	2.4
34	146	0.4
36	146	-1.6
38	146	-0.4
40	146	2.1
42	146	3.6
44	146	4
46	146	3.2

48	146	0.9
50	146	-3.2
52	146	-7.7
54	146	-3.5
56	146	0.6
58	146	2.8
60	146	4
62	146	4.3
64	146	4
66	146	3.2
68	146	1.8
70	146	-0.1
72	146	-2.5
74	146	-5.3
76	146	-7.9
78	146	-9
80	146	-8.9
82	146	-8.7
84	146	-9
86	146	-9.2
88	146	-8.2
90	146	-5.8
92	146	-3.2
94	146	-0.9
96	146	0.9
98	146	2.3
100	146	3.2
102	146	3.6
104	146	3.5
106	146	2.9
108	146	1.7
110	146	-0.1
112	146	-2.4
114	146	-3.4
116	146	-2
118	146	0
120	146	1.3
122	146	1.8
124	146	1.3
126	146	0
128	146	-1.8
130	146	-2.8
132	146	-1.8
134	146	-0.3
136	146	0.5
138	146	0.4
140	146	-0.6
142	146	-1.6
144	146	-1.5
146	146	-0.3
148	146	0.7
150	146	0.6
152	146	-0.4
154	146	-1.6
156	146	-1.2
158	146	0.3
160	146	1
162	146	0.3
164	146	-2.3
166	146	-6.2
168	146	-3.5
170	146	0.3
172	146	1.9
174	146	1.3
176	146	-2.2
178	146	-14.6
180	146	-6.5
-180	148	-8.6
-178	148	-1
-176	148	1.6
-174	148	2
-172	148	0.4
-170	148	-3.3
-168	148	-5.4
-166	148	-1.2
-164	148	1.7
-162	148	2.8
-160	148	2.3
-158	148	0.4
-156	148	-1.9
-154	148	-1.2
-152	148	1.3
-150	148	3
-148	148	3.3
-146	148	2.4
-144	148	0.3
-142	148	-2.4
-140	148	-2
-138	148	0.9
-136	148	3.2
-134	148	4.3
-132	148	4.4
-130	148	3.7
-128	148	1.8
-126	148	-1.4
-124	148	-6.4
-122	148	-7.9
-120	148	-3
-118	148	0.4
-116	148	2.4
-114	148	3.6
-112	148	4.1
-110	148	4.3
-108	148	4.1
-106	148	3.8
-104	148	3.4
-102	148	3
-100	148	2.8
-98	148	2.7
-96	148	2.9
-94	148	3.2
-92	148	3.6
-90	148	4
-88	148	4.3
-86	148	4.5
-84	148	4.4
-82	148	3.9
-80	148	3.1
-78	148	1.7

-76	148	-0.4
-74	148	-3.2
-72	148	-5.2
-70	148	-3.6
-68	148	-0.8
-66	148	1.3
-64	148	2.5
-62	148	2.9
-60	148	2.6
-58	148	1.5
-56	148	-0.3
-54	148	-2.1
-52	148	-2.2
-50	148	-0.7
-48	148	0.7
-46	148	1.3
-44	148	1
-42	148	0
-40	148	-1
-38	148	-1
-36	148	0
-34	148	1
-32	148	1.1
-30	148	0.4
-28	148	-1
-26	148	-1.7
-24	148	-0.7
-22	148	0.6
-20	148	1
-18	148	-0.1
-16	148	-3
-14	148	-6.3
-12	148	-3.5
-10	148	-0.1
-8	148	1.3
-6	148	0.7
-4	148	-2.6
-2	148	-13.1
0	148	-8.6
2	148	-1
4	148	1.7
6	148	2
8	148	0.4
10	148	-3.4
12	148	-5.7
14	148	-1.3
16	148	1.7
18	148	2.8
20	148	2.4
22	148	0.5
24	148	-1.8
26	148	-1.2
28	148	1.3
30	148	3
32	148	3.4
34	148	2.6
36	148	0.5
38	148	-2.2
40	148	-1.8
42	148	1.1
44	148	3.3
46	148	4.4
48	148	4.6
50	148	3.8
52	148	1.9
54	148	-1.3
56	148	-6.6
58	148	-8.2
60	148	-3
62	148	0.4
64	148	2.4
66	148	3.6
68	148	4.1
70	148	4.3
72	148	4.1
74	148	3.8
76	148	3.4
78	148	3.1
80	148	2.9
82	148	2.8
84	148	3
86	148	3.4
88	148	3.8
90	148	4.1
92	148	4.4
94	148	4.5
96	148	4.4
98	148	3.9
100	148	3
102	148	1.6
104	148	-0.4
106	148	-3.1
108	148	-4.9
110	148	-3.4
112	148	-0.7
114	148	1.3
116	148	2.5
118	148	2.9
120	148	2.5
122	148	1.4
124	148	-0.4
126	148	-2.2
128	148	-2.3
130	148	-0.8
132	148	0.6
134	148	1.3
136	148	1.1
138	148	0.1
140	148	-1
142	148	-1.1
144	148	-0.1
146	148	1
148	148	1.2
150	148	0.6
152	148	-0.8
154	148	-1.6
156	148	-0.8
158	148	0.5
160	148	0.8

162	148	-0.3
164	148	-3.2
166	148	-6.4
168	148	-3.4
170	148	0
172	148	1.3
174	148	0.7
176	148	-2.6
178	148	-13.1
180	148	-8.6
-180	150	-11.3
-178	150	-2.4
-176	150	0.7
-174	150	1.6
-172	150	0.5
-170	150	-2.5
-168	150	-6.4
-166	150	-3.7
-164	150	0.2
-162	150	2.2
-160	150	2.5
-158	150	1.6
-156	150	-0.6
-154	150	-2.4
-152	150	-1
-150	150	1.5
-148	150	3.1
-146	150	3.6
-144	150	3
-142	150	1.3
-140	150	-1.5
-138	150	-3.5
-136	150	-1.4
-134	150	1.6
-132	150	3.6
-130	150	4.7
-128	150	5
-126	150	4.7
-124	150	3.6
-122	150	1.9
-120	150	-0.9
-118	150	-4.8
-116	150	-8.7
-114	150	-6.8
-112	150	-3.3
-110	150	-0.9
-108	150	0.6
-106	150	1.6
-104	150	2.2
-102	150	2.6
-100	150	2.8
-98	150	2.9
-96	150	2.9
-94	150	2.8
-92	150	2.5
-90	150	2.1
-88	150	1.4
-86	150	0.4
-84	150	-1.2
-82	150	-3.3
-80	150	-5.6
-78	150	-5.8
-76	150	-3.4
-74	150	-0.7
-72	150	1.4
-70	150	2.7
-68	150	3.5
-66	150	3.7
-64	150	3.3
-62	150	2.3
-60	150	0.8
-58	150	-0.9
-56	150	-1.6
-54	150	-0.7
-52	150	0.7
-50	150	1.6
-48	150	1.8
-46	150	1.3
-44	150	0.3
-42	150	-0.7
-40	150	-0.6
-38	150	0.4
-36	150	1.3
-34	150	1.6
-32	150	1
-30	150	-0.3
-28	150	-1.8
-26	150	-1.7
-24	150	-0.4
-22	150	0.7
-20	150	0.6
-18	150	-0.9
-16	150	-4
-14	150	-6.3
-12	150	-3.1
-10	150	-0.2
-8	150	1
-6	150	0.3
-4	150	-2.8
-2	150	-11.7
0	150	-11
2	150	-2.3
4	150	0.8
6	150	1.6
8	150	0.5
10	150	-2.5
12	150	-6.5
14	150	-3.6
16	150	0.3
18	150	2.3
20	150	2.7
22	150	1.7
24	150	-0.5
26	150	-2.5
28	150	-1.1
30	150	1.5
32	150	3.2
34	150	3.7
36	150	3.2

38	150	1.5
40	150	-1.3
42	150	-3.3
44	150	-1.2
46	150	1.7
48	150	3.7
50	150	4.8
52	150	5
54	150	4.6
56	150	3.5
58	150	1.7
60	150	-1.2
62	150	-5.2
64	150	-8.9
66	150	-6.7
68	150	-3.3
70	150	-0.9
72	150	0.6
74	150	1.6
76	150	2.2
78	150	2.6
80	150	2.9
82	150	3
84	150	3
86	150	2.9
88	150	2.6
90	150	2.2
92	150	1.5
94	150	0.4
96	150	-1.2
98	150	-3.3
100	150	-5.4
102	150	-5.5
104	150	-3.1
106	150	-0.5
108	150	1.5
110	150	2.8
112	150	3.5
114	150	3.7
116	150	3.2
118	150	2.2
120	150	0.7
122	150	-1
124	150	-1.7
126	150	-0.8
128	150	0.6
130	150	1.6
132	150	1.9
134	150	1.5
136	150	0.5
138	150	-0.5
140	150	-0.6
142	150	0.3
144	150	1.2
146	150	1.5
148	150	1
150	150	-0.2
152	150	-1.5
154	150	-1.5
156	150	-0.2
158	150	0.8
160	150	0.7
162	150	-0.9
164	150	-4.1
166	150	-6.4
168	150	-3.1
170	150	-0.1
172	150	1
174	150	0.3
176	150	-2.7
178	150	-11.6
180	150	-11.3
-180	152	-14.1
-178	152	-3.7
-176	152	-0.1
-174	152	1.1
-172	152	0.7
-170	152	-1.6
-168	152	-6
-166	152	-6.9
-164	152	-2
-162	152	1.1
-160	152	2.4
-158	152	2.5
-156	152	1.3
-154	152	-1
-152	152	-3.1
-150	152	-1.7
-148	152	1.1
-146	152	3
-144	152	3.9
-142	152	3.9
-140	152	3
-138	152	1.1
-136	152	-1.6
-134	152	-3.8
-132	152	-2.2
-130	152	0.7
-128	152	2.9
-126	152	4.3
-124	152	5
-122	152	5.2
-120	152	5
-118	152	4.4
-116	152	3.4
-114	152	2.1
-112	152	0.4
-110	152	-1.5
-108	152	-3.7
-106	152	-6
-104	152	-8.1
-102	152	-9.5
-100	152	-10.2
-98	152	-10.5
-96	152	-10.4
-94	152	-10
-92	152	-8.9
-90	152	-7
-88	152	-4.9

-86	152	-2.7
-84	152	-0.7
-82	152	1
-80	152	2.3
-78	152	3.4
-76	152	4.1
-74	152	4.5
-72	152	4.5
-70	152	4.1
-68	152	3.3
-66	152	2
-64	152	0.3
-62	152	-1.2
-60	152	-1.4
-58	152	-0.2
-56	152	1.3
-54	152	2.4
-52	152	2.8
-50	152	2.6
-48	152	1.8
-46	152	0.5
-44	152	-0.6
-42	152	-0.6
-40	152	0.4
-38	152	1.4
-36	152	1.9
-34	152	1.5
-32	152	0.4
-30	152	-1.1
-28	152	-1.9
-26	152	-1.1
-24	152	0.1
-22	152	0.7
-20	152	0.1
-18	152	-1.9
-16	152	-5.2
-14	152	-6.1
-12	152	-2.7
-10	152	-0.2
-8	152	0.7
-6	152	0
-4	152	-2.9
-2	152	-10.9
0	152	-13.5
2	152	-3.5
4	152	0.1
6	152	1.4
8	152	0.9
10	152	-1.3
12	152	-5.7
14	152	-6.9
16	152	-2
18	152	1.1
20	152	2.5
22	152	2.5
24	152	1.3
26	152	-1
28	152	-3.1
30	152	-1.7
32	152	1.1
34	152	3.1
36	152	4
38	152	4
40	152	3.1
42	152	1.2
44	152	-1.6
46	152	-3.8
48	152	-2.1
50	152	0.7
52	152	2.9
54	152	4.2
56	152	4.9
58	152	5.1
60	152	4.9
62	152	4.3
64	152	3.3
66	152	2.1
68	152	0.5
70	152	-1.4
72	152	-3.4
74	152	-5.6
76	152	-7.5
78	152	-9
80	152	-9.9
82	152	-10.3
84	152	-10.4
86	152	-10.1
88	152	-8.9
90	152	-7
92	152	-4.8
94	152	-2.6
96	152	-0.6
98	152	1.1
100	152	2.4
102	152	3.4
104	152	4.1
106	152	4.5
108	152	4.4
110	152	4
112	152	3.2
114	152	1.9
116	152	0.2
118	152	-1.2
120	152	-1.4
122	152	-0.3
124	152	1.2
126	152	2.2
128	152	2.7
130	152	2.5
132	152	1.8
134	152	0.6
136	152	-0.5
138	152	-0.5
140	152	0.4
142	152	1.3
144	152	1.7
146	152	1.4
148	152	0.4
150	152	-1

152	152	-1.7
154	152	-0.9
156	152	0.2
158	152	0.8
160	152	0.2
162	152	-1.7
164	152	-4.9
166	152	-5.9
168	152	-2.8
170	152	-0.3
172	152	0.6
174	152	-0.1
176	152	-2.9
178	152	-10.7
180	152	-14.1
-180	154	-18.1
-178	154	-5.2
-176	154	-1
-174	154	0.7
-172	154	0.9
-170	154	-0.5
-168	154	-3.7
-166	154	-8.5
-164	154	-5.8
-162	154	-1.3
-160	154	1.3
-158	154	2.4
-156	154	2.3
-154	154	1.1
-152	154	-1.1
-150	154	-3.7
-148	154	-3.2
-146	154	-0.2
-144	154	2.2
-142	154	3.6
-140	154	4.2
-138	154	4
-136	154	3.2
-134	154	1.5
-132	154	-0.9
-130	154	-3.7
-128	154	-4.3
-126	154	-1.9
-124	154	0.7
-122	154	2.6
-120	154	3.8
-118	154	4.7
-116	154	5.1
-114	154	5.3
-112	154	5.3
-110	154	5.2
-108	154	4.9
-106	154	4.6
-104	154	4.2
-102	154	3.9
-100	154	3.7
-98	154	3.5
-96	154	3.5
-94	154	3.6
-92	154	3.8
-90	154	4.1
-88	154	4.4
-86	154	4.8
-84	154	5
-82	154	5.1
-80	154	5.1
-78	154	4.9
-76	154	4.4
-74	154	3.6
-72	154	2.4
-70	154	0.8
-68	154	-1
-66	154	-2.1
-64	154	-1.5
-62	154	0
-60	154	1.6
-58	154	2.7
-56	154	3.3
-54	154	3.3
-52	154	2.8
-50	154	1.7
-48	154	0.4
-46	154	-0.6
-44	154	-0.5
-42	154	0.5
-40	154	1.4
-38	154	1.9
-36	154	1.7
-34	154	0.8
-32	154	-0.5
-30	154	-1.4
-28	154	-1.2
-26	154	-0.2
-24	154	0.6
-22	154	0.6
-20	154	-0.6
-18	154	-3
-16	154	-6.3
-14	154	-6
-12	154	-2.5
-10	154	-0.3
-8	154	0.5
-6	154	-0.2
-4	154	-2.8
-2	154	-9.3
0	154	-18.8
2	154	-5.2
4	154	-0.9
6	154	0.9
8	154	1.1
10	154	-0.2
12	154	-3.4
14	154	-8.2
16	154	-6.1
18	154	-1.4
20	154	1.2
22	154	2.4
24	154	2.3
26	154	1.2

28	154	-1.1
30	154	-3.7
32	154	-3.1
34	154	-0.2
36	154	2.2
38	154	3.6
40	154	4.2
42	154	4.1
44	154	3.2
46	154	1.5
48	154	-1
50	154	-3.9
52	154	-4.5
54	154	-2
56	154	0.6
58	154	2.5
60	154	3.8
62	154	4.7
64	154	5.2
66	154	5.4
68	154	5.4
70	154	5.2
72	154	4.9
74	154	4.6
76	154	4.3
78	154	3.9
80	154	3.7
82	154	3.6
84	154	3.5
86	154	3.7
88	154	3.9
90	154	4.2
92	154	4.5
94	154	4.8
96	154	5.1
98	154	5.2
100	154	5.1
102	154	4.9
104	154	4.3
106	154	3.5
108	154	2.2
110	154	0.6
112	154	-1.1
114	154	-2.1
116	154	-1.5
118	154	0.1
120	154	1.5
122	154	2.6
124	154	3.1
126	154	3.1
128	154	2.5
130	154	1.5
132	154	0.2
134	154	-0.7
136	154	-0.5
138	154	0.4
140	154	1.3
142	154	1.8
144	154	1.6
146	154	0.7
148	154	-0.5
150	154	-1.5
152	154	-1.3
154	154	-0.3
156	154	0.5
158	154	0.5
160	154	-0.6
162	154	-2.9
164	154	-5.8
166	154	-5.5
168	154	-2.5
170	154	-0.4
172	154	0.3
174	154	-0.4
176	154	-3
178	154	-9.5
180	154	-18.1
-180	156	-20.2
-178	156	-7.6
-176	156	-2.4
-174	156	0
-172	156	0.8
-170	156	0.3
-168	156	-1.6
-166	156	-5.3
-164	156	-9.8
-162	156	-5.9
-160	156	-1.6
-158	156	0.9
-156	156	2
-154	156	2.1
-152	156	1.3
-150	156	-0.4
-148	156	-2.9
-146	156	-4.6
-144	156	-2.9
-142	156	-0.1
-140	156	1.9
-138	156	3.2
-136	156	3.8
-134	156	3.9
-132	156	3.5
-130	156	2.6
-128	156	1.1
-126	156	-0.8
-124	156	-2.9
-122	156	-4.3
-120	156	-3.8
-118	156	-2.1
-116	156	-0.4
-114	156	1.1
-112	156	2.1
-110	156	2.9
-108	156	3.5
-106	156	3.9
-104	156	4.2
-102	156	4.3
-100	156	4.4
-98	156	4.4

-96	156	4.4
-94	156	4.3
-92	156	4.1
-90	156	3.9
-88	156	3.5
-86	156	3.1
-84	156	2.5
-82	156	1.8
-80	156	0.8
-78	156	-0.3
-76	156	-1.4
-74	156	-2.2
-72	156	-2.2
-70	156	-1.2
-68	156	0.2
-66	156	1.5
-64	156	2.5
-62	156	3.1
-60	156	3.3
-58	156	3.2
-56	156	2.6
-54	156	1.6
-52	156	0.3
-50	156	-0.7
-48	156	-0.8
-46	156	0
-44	156	1
-42	156	1.8
-40	156	2.1
-38	156	1.7
-36	156	0.8
-34	156	-0.5
-32	156	-1.6
-30	156	-1.6
-28	156	-0.7
-26	156	0.3
-24	156	0.7
-22	156	0.3
-20	156	-1.2
-18	156	-3.9
-16	156	-6.9
-14	156	-5.8
-12	156	-2.6
-10	156	-0.6
-8	156	0.1
-6	156	-0.4
-4	156	-2.6
-2	156	-7.6
0	156	-22.3
2	156	-8
4	156	-2.5
6	156	-0.1
8	156	0.8
10	156	0.3
12	156	-1.5
14	156	-5.3
16	156	-9.7
18	156	-5.8
20	156	-1.5
22	156	0.9
24	156	2.1
26	156	2.2
28	156	1.4
30	156	-0.4
32	156	-2.9
34	156	-4.6
36	156	-2.8
38	156	0
40	156	2
42	156	3.3
44	156	3.9
46	156	4
48	156	3.5
50	156	2.5
52	156	1
54	156	-0.9
56	156	-3.1
58	156	-4.4
60	156	-3.7
62	156	-2
64	156	-0.2
66	156	1.2
68	156	2.2
70	156	3
72	156	3.6
74	156	4
76	156	4.2
78	156	4.4
80	156	4.4
82	156	4.5
84	156	4.4
86	156	4.4
88	156	4.2
90	156	4
92	156	3.7
94	156	3.3
96	156	2.7
98	156	1.9
100	156	0.9
102	156	-0.3
104	156	-1.6
106	156	-2.4
108	156	-2.3
110	156	-1.2
112	156	0.2
114	156	1.5
116	156	2.5
118	156	3.1
120	156	3.2
122	156	3
124	156	2.3
126	156	1.3
128	156	0
130	156	-1
132	156	-1.1
134	156	-0.2
136	156	0.9
138	156	1.7
140	156	2

142	156	1.6
144	156	0.7
146	156	-0.6
148	156	-1.8
150	156	-1.8
152	156	-0.9
154	156	0.1
156	156	0.5
158	156	0
160	156	-1.4
162	156	-4.1
164	156	-6.7
166	156	-5.5
168	156	-2.6
170	156	-0.6
172	156	0
174	156	-0.6
176	156	-2.9
178	156	-8
180	156	-20.2
-180	158	-15.7
-178	158	-11.1
-176	158	-4.5
-174	158	-1.4
-172	158	0.1
-170	158	0.4
-168	158	-0.5
-166	158	-2.6
-164	158	-6.6
-162	158	-11
-160	158	-6.7
-158	158	-2.3
-156	158	0.3
-154	158	1.6
-152	158	2.1
-150	158	1.9
-148	158	0.9
-146	158	-0.9
-144	158	-3.4
-142	158	-5.4
-140	158	-4.3
-138	158	-1.7
-136	158	0.6
-134	158	2.2
-132	158	3.3
-130	158	3.9
-128	158	4.1
-126	158	4
-124	158	3.5
-122	158	2.9
-120	158	2
-118	158	0.9
-116	158	-0.4
-114	158	-1.8
-112	158	-3.1
-110	158	-4.2
-108	158	-4.8
-106	158	-4.9
-104	158	-4.7
-102	158	-4.4
-100	158	-4.2
-98	158	-4
-96	158	-4.1
-94	158	-4.3
-92	158	-4.6
-90	158	-4.9
-88	158	-5.1
-86	158	-4.8
-84	158	-4
-82	158	-2.9
-80	158	-1.5
-78	158	-0.2
-76	158	1
-74	158	2
-72	158	2.9
-70	158	3.4
-68	158	3.7
-66	158	3.8
-64	158	3.5
-62	158	2.9
-60	158	2
-58	158	0.6
-56	158	-0.9
-54	158	-2
-52	158	-2
-50	158	-0.9
-48	158	0.5
-46	158	1.6
-44	158	2.1
-42	158	2.2
-40	158	1.7
-38	158	0.6
-36	158	-0.9
-34	158	-2.4
-32	158	-2.7
-30	158	-1.8
-28	158	-0.5
-26	158	0.3
-24	158	0.3
-22	158	-0.4
-20	158	-2.1
-18	158	-4.7
-16	158	-6.9
-14	158	-5.6
-12	158	-2.9
-10	158	-1.1
-8	158	-0.5
-6	158	-0.9
-4	158	-2.7
-2	158	-6.7
0	158	-16
2	158	-11.5
4	158	-4.6
6	158	-1.4
8	158	0
10	158	0.3
12	158	-0.5
14	158	-2.7
16	158	-6.7

18	158	-10.7
20	158	-6.3
22	158	-2.1
24	158	0.4
26	158	1.8
28	158	2.2
30	158	1.9
32	158	0.9
34	158	-1
36	158	-3.5
38	158	-5.4
40	158	-4.2
42	158	-1.4
44	158	0.8
46	158	2.3
48	158	3.3
50	158	3.9
52	158	4.1
54	158	3.9
56	158	3.5
58	158	2.8
60	158	2
62	158	0.9
64	158	-0.3
66	158	-1.6
68	158	-2.8
70	158	-3.7
72	158	-4.2
74	158	-4.3
76	158	-4.2
78	158	-4
80	158	-3.8
82	158	-3.7
84	158	-3.7
86	158	-4
88	158	-4.3
90	158	-4.7
92	158	-5
94	158	-4.9
96	158	-4.3
98	158	-3.2
100	158	-1.8
102	158	-0.4
104	158	0.9
106	158	2
108	158	2.8
110	158	3.4
112	158	3.8
114	158	3.8
116	158	3.5
118	158	2.9
120	158	1.9
122	158	0.5
124	158	-1
126	158	-2.3
128	158	-2.2
130	158	-1
132	158	0.4
134	158	1.5
136	158	2.1
138	158	2.1
140	158	1.6
142	158	0.5
144	158	-1
146	158	-2.6
148	158	-2.9
150	158	-1.9
152	158	-0.7
154	158	0.1
156	158	0.2
158	158	-0.6
160	158	-2.3
162	158	-5
164	158	-7.2
166	158	-5.6
168	158	-2.9
170	158	-1.2
172	158	-0.5
174	158	-1
176	158	-2.8
178	158	-6.7
180	158	-15.7
-180	160	-12.2
-178	160	-17.7
-176	160	-7.9
-174	160	-3.5
-172	160	-1.2
-170	160	-0.2
-168	160	-0.2
-166	160	-1
-164	160	-3
-162	160	-6.5
-160	160	-11
-158	160	-8.4
-156	160	-3.9
-154	160	-1
-152	160	0.8
-150	160	1.7
-148	160	2
-146	160	1.7
-144	160	0.8
-142	160	-0.7
-140	160	-2.9
-138	160	-5.4
-136	160	-6.3
-134	160	-4.4
-132	160	-1.8
-130	160	0.3
-128	160	1.8
-126	160	2.9
-124	160	3.7
-122	160	4.2
-120	160	4.4
-118	160	4.5
-116	160	4.4
-114	160	4.2
-112	160	4
-110	160	3.6
-108	160	3.3

-106	160	2.9
-104	160	2.6
-102	160	2.3
-100	160	2
-98	160	1.9
-96	160	1.9
-94	160	1.9
-92	160	2.1
-90	160	2.3
-88	160	2.6
-86	160	2.9
-84	160	3.3
-82	160	3.5
-80	160	3.8
-78	160	4
-76	160	4
-74	160	4
-72	160	3.7
-70	160	3.3
-68	160	2.6
-66	160	1.7
-64	160	0.4
-62	160	-1.1
-60	160	-2.6
-58	160	-3.4
-56	160	-2.9
-54	160	-1.5
-52	160	-0.1
-50	160	1
-48	160	1.7
-46	160	1.9
-44	160	1.7
-42	160	0.9
-40	160	-0.3
-38	160	-1.9
-36	160	-3.3
-34	160	-3.6
-32	160	-2.6
-30	160	-1.3
-28	160	-0.4
-26	160	-0.1
-24	160	-0.4
-22	160	-1.6
-20	160	-3.5
-18	160	-6.1
-16	160	-7.2
-14	160	-5.4
-12	160	-3.1
-10	160	-1.6
-8	160	-1
-6	160	-1.4
-4	160	-2.9
-2	160	-6.1
0	160	-13.1
2	160	-17.4
4	160	-7.5
6	160	-3.3
8	160	-1.1
10	160	-0.2
12	160	-0.2
14	160	-1.1
16	160	-3.2
18	160	-6.9
20	160	-11.1
22	160	-8
24	160	-3.5
26	160	-0.7
28	160	1
30	160	1.8
32	160	2.1
34	160	1.7
36	160	0.8
38	160	-0.8
40	160	-3
42	160	-5.6
44	160	-6.3
46	160	-4.3
48	160	-1.7
50	160	0.3
52	160	1.9
54	160	2.9
56	160	3.7
58	160	4.2
60	160	4.4
62	160	4.5
64	160	4.5
66	160	4.3
68	160	4.1
70	160	3.8
72	160	3.4
74	160	3.1
76	160	2.7
78	160	2.4
80	160	2.2
82	160	2
84	160	1.9
86	160	1.9
88	160	2
90	160	2.2
92	160	2.4
94	160	2.7
96	160	3
98	160	3.3
100	160	3.6
102	160	3.8
104	160	3.9
106	160	3.9
108	160	3.7
110	160	3.3
112	160	2.7
114	160	1.7
116	160	0.5
118	160	-1
120	160	-2.5
122	160	-3.3
124	160	-2.9
126	160	-1.5
128	160	-0.1
130	160	1

132	160	1.7
134	160	1.9
136	160	1.6
138	160	0.9
140	160	-0.4
142	160	-1.9
144	160	-3.4
146	160	-3.6
148	160	-2.6
150	160	-1.2
152	160	-0.3
154	160	0
156	160	-0.4
158	160	-1.5
160	160	-3.5
162	160	-6.2
164	160	-7.5
166	160	-5.6
168	160	-3.1
170	160	-1.6
172	160	-1
174	160	-1.3
176	160	-2.7
178	160	-5.7
180	160	-12.2
-180	162	-9.1
-178	162	-20.2
-176	162	-13.7
-174	162	-6.6
-172	162	-3.2
-170	162	-1.3
-168	162	-0.5
-166	162	-0.4
-164	162	-1
-162	162	-2.5
-160	162	-5
-158	162	-8.7
-156	162	-10.9
-154	162	-7.3
-152	162	-3.7
-150	162	-1.3
-148	162	0.3
-146	162	1.2
-144	162	1.6
-142	162	1.6
-140	162	1.2
-138	162	0.3
-136	162	-1
-134	162	-2.7
-132	162	-4.5
-130	162	-5.9
-128	162	-5.8
-126	162	-4.2
-124	162	-2.5
-122	162	-0.9
-120	162	0.4
-118	162	1.4
-116	162	2.1
-114	162	2.7
-112	162	3.1
-110	162	3.4
-108	162	3.6
-106	162	3.7
-104	162	3.8
-102	162	3.8
-100	162	3.8
-98	162	3.8
-96	162	3.8
-94	162	3.7
-92	162	3.6
-90	162	3.5
-88	162	3.3
-86	162	3.1
-84	162	2.8
-82	162	2.5
-80	162	2
-78	162	1.5
-76	162	0.7
-74	162	-0.1
-72	162	-1.2
-70	162	-2.3
-68	162	-3.4
-66	162	-4
-64	162	-3.8
-62	162	-2.9
-60	162	-1.8
-58	162	-0.6
-56	162	0.3
-54	162	0.9
-52	162	1.3
-50	162	1.3
-48	162	0.9
-46	162	0.1
-44	162	-1
-42	162	-2.4
-40	162	-3.8
-38	162	-4.3
-36	162	-3.6
-34	162	-2.3
-32	162	-1.2
-30	162	-0.4
-28	162	-0.2
-26	162	-0.5
-24	162	-1.5
-22	162	-3.2
-20	162	-5.7
-18	162	-8.3
-16	162	-8
-14	162	-5.4
-12	162	-3.2
-10	162	-1.8
-8	162	-1.3
-6	162	-1.5
-4	162	-2.7
-2	162	-5.1
0	162	-9.8
2	162	-23.6
4	162	-12.9
6	162	-6.3

8	162	-3
10	162	-1.3
12	162	-0.5
14	162	-0.4
16	162	-1.1
18	162	-2.7
20	162	-5.3
22	162	-9.2
24	162	-10.9
26	162	-7
28	162	-3.5
30	162	-1.1
32	162	0.4
34	162	1.2
36	162	1.6
38	162	1.5
40	162	1.1
42	162	0.2
44	162	-1.1
46	162	-2.8
48	162	-4.7
50	162	-6
52	162	-5.8
54	162	-4.3
56	162	-2.5
58	162	-0.9
60	162	0.3
62	162	1.3
64	162	2.1
66	162	2.7
68	162	3.1
70	162	3.4
72	162	3.7
74	162	3.8
76	162	3.9
78	162	3.9
80	162	3.9
82	162	3.9
84	162	3.8
86	162	3.7
88	162	3.6
90	162	3.5
92	162	3.3
94	162	3
96	162	2.8
98	162	2.4
100	162	1.9
102	162	1.4
104	162	0.7
106	162	-0.2
108	162	-1.2
110	162	-2.3
112	162	-3.3
114	162	-3.9
116	162	-3.7
118	162	-2.8
120	162	-1.7
122	162	-0.5
124	162	0.4
126	162	1
128	162	1.3
130	162	1.3
132	162	0.9
134	162	0.1
136	162	-1
138	162	-2.5
140	162	-3.8
142	162	-4.3
144	162	-3.6
146	162	-2.2
148	162	-1
150	162	-0.3
152	162	0
154	162	-0.3
156	162	-1.3
158	162	-3
160	162	-5.5
162	162	-8.1
164	162	-8
166	162	-5.4
168	162	-3.1
170	162	-1.7
172	162	-1.1
174	162	-1.3
176	162	-2.4
178	162	-4.7
180	162	-9.1
-180	164	-6.9
-178	164	-12.8
-176	164	-28.3
-174	164	-11.5
-172	164	-6.1
-170	164	-3.2
-168	164	-1.5
-166	164	-0.6
-164	164	-0.4
-162	164	-0.7
-160	164	-1.6
-158	164	-3.1
-156	164	-5.6
-154	164	-9.1
-152	164	-11.7
-150	164	-9
-148	164	-5.4
-146	164	-2.8
-144	164	-1
-142	164	0.3
-140	164	1.1
-138	164	1.5
-136	164	1.6
-134	164	1.5
-132	164	1.1
-130	164	0.6
-128	164	-0.2
-126	164	-1.2
-124	164	-2.3
-122	164	-3.5
-120	164	-4.7
-118	164	-5.6

-116	164	-6.1
-114	164	-6.1
-112	164	-5.7
-110	164	-5.1
-108	164	-4.5
-106	164	-4
-104	164	-3.6
-102	164	-3.3
-100	164	-3.1
-98	164	-3
-96	164	-3.1
-94	164	-3.2
-92	164	-3.5
-90	164	-3.9
-88	164	-4.4
-86	164	-4.9
-84	164	-5.4
-82	164	-5.8
-80	164	-5.8
-78	164	-5.5
-76	164	-4.8
-74	164	-3.8
-72	164	-2.8
-70	164	-1.7
-68	164	-0.8
-66	164	0
-64	164	0.6
-62	164	1
-60	164	1.3
-58	164	1.3
-56	164	1.1
-54	164	0.6
-52	164	-0.2
-50	164	-1.3
-48	164	-2.7
-46	164	-4.4
-44	164	-5.7
-42	164	-5.8
-40	164	-4.6
-38	164	-3
-36	164	-1.6
-34	164	-0.6
-32	164	-0.1
-30	164	0
-28	164	-0.4
-26	164	-1.4
-24	164	-3
-22	164	-5.5
-20	164	-8.9
-18	164	-11
-16	164	-8.5
-14	164	-5.4
-12	164	-3.2
-10	164	-1.9
-8	164	-1.3
-6	164	-1.5
-4	164	-2.3
-2	164	-4
0	164	-7.1
2	164	-13.2
4	164	-29.4
6	164	-11.4
8	164	-6.1
10	164	-3.2
12	164	-1.6
14	164	-0.7
16	164	-0.4
18	164	-0.7
20	164	-1.6
22	164	-3.2
24	164	-5.7
26	164	-9.1
28	164	-11.7
30	164	-9.1
32	164	-5.5
34	164	-2.9
36	164	-1.1
38	164	0.1
40	164	0.9
42	164	1.3
44	164	1.5
46	164	1.4
48	164	1
50	164	0.5
52	164	-0.2
54	164	-1.1
56	164	-2.2
58	164	-3.2
60	164	-4.3
62	164	-5.1
64	164	-5.6
66	164	-5.6
68	164	-5.3
70	164	-4.8
72	164	-4.3
74	164	-3.8
76	164	-3.4
78	164	-3.1
80	164	-2.9
82	164	-2.8
84	164	-2.9
86	164	-3.1
88	164	-3.4
90	164	-3.8
92	164	-4.3
94	164	-4.9
96	164	-5.5
98	164	-5.9
100	164	-6
102	164	-5.7
104	164	-5
106	164	-4
108	164	-2.9
110	164	-1.8
112	164	-0.9
114	164	0
116	164	0.6
118	164	1.1
120	164	1.3

122	164	1.4
124	164	1.2
126	164	0.7
128	164	-0.1
130	164	-1.2
132	164	-2.6
134	164	-4.3
136	164	-5.7
138	164	-5.9
140	164	-4.7
142	164	-3
144	164	-1.6
146	164	-0.6
148	164	0
150	164	0.1
152	164	-0.3
154	164	-1.3
156	164	-2.8
158	164	-5.2
160	164	-8.4
162	164	-10.5
164	164	-8.3
166	164	-5.3
168	164	-3.1
170	164	-1.9
172	164	-1.3
174	164	-1.4
176	164	-2.2
178	164	-3.9
180	164	-6.9
-180	166	-5.7
-178	166	-9.3
-176	166	-17
-174	166	-22.3
-172	166	-10.9
-170	166	-6.4
-168	166	-3.7
-166	166	-2.1
-164	166	-1.1
-162	166	-0.6
-160	166	-0.6
-158	166	-1
-156	166	-1.8
-154	166	-3.2
-152	166	-5.2
-150	166	-8.2
-148	166	-11.8
-146	166	-12.7
-144	166	-9.1
-142	166	-5.8
-140	166	-3.4
-138	166	-1.7
-136	166	-0.4
-134	166	0.5
-132	166	1.1
-130	166	1.6
-128	166	1.8
-126	166	1.9
-124	166	1.9
-122	166	1.8
-120	166	1.6
-118	166	1.3
-116	166	0.9
-114	166	0.6
-112	166	0.1
-110	166	-0.3
-108	166	-0.7
-106	166	-1
-104	166	-1.4
-102	166	-1.6
-100	166	-1.8
-98	166	-1.9
-96	166	-1.9
-94	166	-1.8
-92	166	-1.6
-90	166	-1.4
-88	166	-1.1
-86	166	-0.7
-84	166	-0.3
-82	166	0.1
-80	166	0.5
-78	166	0.9
-76	166	1.2
-74	166	1.4
-72	166	1.6
-70	166	1.7
-68	166	1.7
-66	166	1.5
-64	166	1.2
-62	166	0.7
-60	166	0.1
-58	166	-0.9
-56	166	-2.1
-54	166	-3.7
-52	166	-5.6
-50	166	-7.5
-48	166	-8.3
-46	166	-7.2
-44	166	-5.3
-42	166	-3.5
-40	166	-2
-38	166	-1
-36	166	-0.4
-34	166	-0.1
-32	166	-0.3
-30	166	-0.8
-28	166	-1.8
-26	166	-3.4
-24	166	-5.7
-22	166	-9
-20	166	-12.6
-18	166	-11.4
-16	166	-7.7
-14	166	-4.9
-12	166	-3.1
-10	166	-2
-8	166	-1.5
-6	166	-1.6
-4	166	-2.2

-2	166	-3.4
0	166	-5.5
2	166	-9.1
4	166	-16.5
6	166	-23
8	166	-11.1
10	166	-6.5
12	166	-3.8
14	166	-2.1
16	166	-1.1
18	166	-0.6
20	166	-0.5
22	166	-0.9
24	166	-1.7
26	166	-3
28	166	-5
30	166	-7.8
32	166	-11.5
34	166	-13.2
36	166	-9.9
38	166	-6.4
40	166	-3.9
42	166	-2
44	166	-0.7
46	166	0.3
48	166	1
50	166	1.5
52	166	1.8
54	166	1.9
56	166	1.9
58	166	1.8
60	166	1.7
62	166	1.4
64	166	1.1
66	166	0.7
68	166	0.3
70	166	-0.1
72	166	-0.5
74	166	-0.9
76	166	-1.2
78	166	-1.5
80	166	-1.7
82	166	-1.8
84	166	-1.9
86	166	-1.8
88	166	-1.7
90	166	-1.5
92	166	-1.2
94	166	-0.9
96	166	-0.5
98	166	-0.1
100	166	0.3
102	166	0.7
104	166	1
106	166	1.3
108	166	1.5
110	166	1.6
112	166	1.6
114	166	1.5
116	166	1.2
118	166	0.8
120	166	0.1
122	166	-0.8
124	166	-1.9
126	166	-3.4
128	166	-5.3
130	166	-7.2
132	166	-8.2
134	166	-7.4
136	166	-5.5
138	166	-3.7
140	166	-2.3
142	166	-1.2
144	166	-0.5
146	166	-0.3
148	166	-0.4
150	166	-0.9
152	166	-1.8
154	166	-3.3
156	166	-5.6
158	166	-8.7
160	166	-11.8
162	166	-10.9
164	166	-7.6
166	166	-4.9
168	166	-3.1
170	166	-2.1
172	166	-1.6
174	166	-1.6
176	166	-2.3
178	166	-3.5
180	166	-5.7
-180	168	-5
-178	168	-7.4
-176	168	-11.4
-174	168	-20.1
-172	168	-22.2
-170	168	-12
-168	168	-7.6
-166	168	-4.9
-164	168	-3.2
-162	168	-2
-160	168	-1.3
-158	168	-0.9
-156	168	-0.9
-154	168	-1.1
-152	168	-1.7
-150	168	-2.5
-148	168	-3.8
-146	168	-5.5
-144	168	-7.8
-142	168	-10.7
-140	168	-13.3
-138	168	-12.7
-136	168	-9.8
-134	168	-7.1
-132	168	-5.1
-130	168	-3.5
-128	168	-2.2

-126	168	-1.3
-124	168	-0.5
-122	168	0.1
-120	168	0.5
-118	168	0.9
-116	168	1.1
-114	168	1.3
-112	168	1.5
-110	168	1.5
-108	168	1.6
-106	168	1.6
-104	168	1.6
-102	168	1.6
-100	168	1.6
-98	168	1.6
-96	168	1.6
-94	168	1.5
-92	168	1.5
-90	168	1.5
-88	168	1.5
-86	168	1.4
-84	168	1.3
-82	168	1.2
-80	168	1.1
-78	168	0.9
-76	168	0.6
-74	168	0.2
-72	168	-0.2
-70	168	-0.8
-68	168	-1.6
-66	168	-2.6
-64	168	-3.7
-62	168	-5.2
-60	168	-6.9
-58	168	-8.8
-56	168	-10.1
-54	168	-9.8
-52	168	-8.2
-50	168	-6.2
-48	168	-4.5
-46	168	-3.1
-44	168	-2.1
-42	168	-1.4
-40	168	-0.9
-38	168	-0.7
-36	168	-0.8
-34	168	-1.2
-32	168	-1.9
-30	168	-3
-28	168	-4.7
-26	168	-6.9
-24	168	-9.9
-22	168	-12.9
-20	168	-12.1
-18	168	-8.9
-16	168	-6.2
-14	168	-4.3
-12	168	-3
-10	168	-2.2
-8	168	-1.9
-6	168	-1.9
-4	168	-2.3
-2	168	-3.3
0	168	-4.8
2	168	-7.1
4	168	-10.9
6	168	-18.9
8	168	-23.3
10	168	-12.3
12	168	-7.7
14	168	-5
16	168	-3.2
18	168	-2
20	168	-1.3
22	168	-0.9
24	168	-0.8
26	168	-1
28	168	-1.5
30	168	-2.4
32	168	-3.6
34	168	-5.3
36	168	-7.6
38	168	-10.6
40	168	-13.8
42	168	-13.7
44	168	-10.5
46	168	-7.6
48	168	-5.3
50	168	-3.7
52	168	-2.4
54	168	-1.3
56	168	-0.6
58	168	0.1
60	168	0.5
62	168	0.9
64	168	1.2
66	168	1.3
68	168	1.5
70	168	1.5
72	168	1.6
74	168	1.6
76	168	1.6
78	168	1.5
80	168	1.5
82	168	1.5
84	168	1.4
86	168	1.4
88	168	1.4
90	168	1.3
92	168	1.3
94	168	1.2
96	168	1.1
98	168	1
100	168	0.8
102	168	0.6
104	168	0.3
106	168	0
108	168	-0.5
110	168	-1

112	168	-1.8
114	168	-2.7
116	168	-3.8
118	168	-5.2
120	168	-6.8
122	168	-8.5
124	168	-9.7
126	168	-9.5
128	168	-8.1
130	168	-6.3
132	168	-4.7
134	168	-3.4
136	168	-2.3
138	168	-1.6
140	168	-1.1
142	168	-0.9
144	168	-1
146	168	-1.4
148	168	-2.1
150	168	-3.2
152	168	-4.8
154	168	-7
156	168	-9.9
158	168	-12.5
160	168	-11.7
162	168	-8.8
164	168	-6.2
166	168	-4.4
168	168	-3.1
170	168	-2.3
172	168	-2
174	168	-2
176	168	-2.5
178	168	-3.4
180	168	-5
-180	170	-4.5
-178	170	-6
-176	170	-8.3
-174	170	-11.7
-172	170	-18.1
-170	170	-30
-168	170	-15.8
-166	170	-10.5
-164	170	-7.4
-162	170	-5.3
-160	170	-3.8
-158	170	-2.8
-156	170	-2
-154	170	-1.5
-152	170	-1.3
-150	170	-1.2
-148	170	-1.3
-146	170	-1.6
-144	170	-2.1
-142	170	-2.7
-140	170	-3.5
-138	170	-4.5
-136	170	-5.7
-134	170	-7.2
-132	170	-8.8
-130	170	-10.5
-128	170	-12
-126	170	-12.6
-124	170	-12.2
-122	170	-11.1
-120	170	-9.8
-118	170	-8.6
-116	170	-7.5
-114	170	-6.6
-112	170	-5.9
-110	170	-5.3
-108	170	-4.9
-106	170	-4.5
-104	170	-4.2
-102	170	-4.1
-100	170	-3.9
-98	170	-3.9
-96	170	-3.9
-94	170	-4
-92	170	-4.1
-90	170	-4.4
-88	170	-4.7
-86	170	-5
-84	170	-5.5
-82	170	-6.1
-80	170	-6.7
-78	170	-7.5
-76	170	-8.4
-74	170	-9.3
-72	170	-10.2
-70	170	-10.8
-68	170	-10.8
-66	170	-10.1
-64	170	-9
-62	170	-7.7
-60	170	-6.4
-58	170	-5.2
-56	170	-4.2
-54	170	-3.3
-52	170	-2.6
-50	170	-2
-48	170	-1.6
-46	170	-1.4
-44	170	-1.3
-42	170	-1.4
-40	170	-1.7
-38	170	-2.2
-36	170	-2.9
-34	170	-3.9
-32	170	-5.3
-30	170	-7.1
-28	170	-9.4
-26	170	-11.8
-24	170	-12.9
-22	170	-11.3
-20	170	-8.8
-18	170	-6.7
-16	170	-5
-14	170	-3.8

-12	170	-3
-10	170	-2.5
-8	170	-2.2
-6	170	-2.3
-4	170	-2.6
-2	170	-3.3
0	170	-4.3
2	170	-5.9
4	170	-8.1
6	170	-11.5
8	170	-17.7
10	170	-36.9
12	170	-16.3
14	170	-10.8
16	170	-7.6
18	170	-5.4
20	170	-3.9
22	170	-2.8
24	170	-2.1
26	170	-1.6
28	170	-1.3
30	170	-1.2
32	170	-1.3
34	170	-1.6
36	170	-2.1
38	170	-2.7
40	170	-3.6
42	170	-4.6
44	170	-5.8
46	170	-7.3
48	170	-9
50	170	-10.7
52	170	-12.3
54	170	-12.9
56	170	-12.4
58	170	-11.2
60	170	-9.9
62	170	-8.6
64	170	-7.6
66	170	-6.7
68	170	-6
70	170	-5.4
72	170	-5
74	170	-4.7
76	170	-4.4
78	170	-4.3
80	170	-4.2
82	170	-4.1
84	170	-4.2
86	170	-4.3
88	170	-4.5
90	170	-4.7
92	170	-5
94	170	-5.4
96	170	-5.9
98	170	-6.5
100	170	-7.1
102	170	-7.8
104	170	-8.6
106	170	-9.4
108	170	-10.1
110	170	-10.4
112	170	-10.2
114	170	-9.5
116	170	-8.4
118	170	-7.2
120	170	-6.1
122	170	-5
124	170	-4.1
126	170	-3.2
128	170	-2.6
130	170	-2.1
132	170	-1.7
134	170	-1.5
136	170	-1.4
138	170	-1.6
140	170	-1.9
142	170	-2.4
144	170	-3.1
146	170	-4.2
148	170	-5.6
150	170	-7.4
152	170	-9.7
154	170	-12.1
156	170	-13
158	170	-11.2
160	170	-8.7
162	170	-6.6
164	170	-5
166	170	-3.8
168	170	-3
170	170	-2.5
172	170	-2.3
174	170	-2.3
176	170	-2.7
178	170	-3.4
180	170	-4.5
-180	172	-3.9
-178	172	-4.8
-176	172	-6
-174	172	-7.7
-172	172	-9.9
-170	172	-13.2
-168	172	-18.7
-166	172	-26.9
-164	172	-18.7
-162	172	-13.3
-160	172	-10
-158	172	-7.8
-156	172	-6.1
-154	172	-4.8
-152	172	-3.8
-150	172	-3.1
-148	172	-2.5
-146	172	-2.1
-144	172	-1.8
-142	172	-1.6
-140	172	-1.5
-138	172	-1.4

-136	172	-1.5
-134	172	-1.6
-132	172	-1.8
-130	172	-2.1
-128	172	-2.4
-126	172	-2.7
-124	172	-3.1
-122	172	-3.5
-120	172	-3.9
-118	172	-4.3
-116	172	-4.7
-114	172	-5
-112	172	-5.4
-110	172	-5.7
-108	172	-6
-106	172	-6.3
-104	172	-6.5
-102	172	-6.6
-100	172	-6.7
-98	172	-6.8
-96	172	-6.7
-94	172	-6.6
-92	172	-6.5
-90	172	-6.3
-88	172	-6.1
-86	172	-5.8
-84	172	-5.5
-82	172	-5.1
-80	172	-4.8
-78	172	-4.4
-76	172	-4
-74	172	-3.6
-72	172	-3.3
-70	172	-2.9
-68	172	-2.6
-66	172	-2.3
-64	172	-2
-62	172	-1.8
-60	172	-1.7
-58	172	-1.6
-56	172	-1.5
-54	172	-1.6
-52	172	-1.7
-50	172	-1.9
-48	172	-2.2
-46	172	-2.7
-44	172	-3.3
-42	172	-4
-40	172	-5
-38	172	-6.1
-36	172	-7.6
-34	172	-9.3
-32	172	-11.3
-30	172	-12.9
-28	172	-13.2
-26	172	-11.8
-24	172	-9.8
-22	172	-7.9
-20	172	-6.4
-18	172	-5.2
-16	172	-4.2
-14	172	-3.5
-12	172	-2.9
-10	172	-2.6
-8	172	-2.5
-6	172	-2.5
-4	172	-2.8
-2	172	-3.2
0	172	-3.9
2	172	-4.8
4	172	-6
6	172	-7.7
8	172	-10
10	172	-13.3
12	172	-18.8
14	172	-29.3
16	172	-19.1
18	172	-13.5
20	172	-10.1
22	172	-7.9
24	172	-6.2
26	172	-4.9
28	172	-3.9
30	172	-3.2
32	172	-2.6
34	172	-2.1
36	172	-1.8
38	172	-1.6
40	172	-1.5
42	172	-1.5
44	172	-1.6
46	172	-1.7
48	172	-1.9
50	172	-2.2
52	172	-2.5
54	172	-2.8
56	172	-3.1
58	172	-3.5
60	172	-3.9
62	172	-4.2
64	172	-4.6
66	172	-5
68	172	-5.3
70	172	-5.6
72	172	-5.8
74	172	-6
76	172	-6.2
78	172	-6.3
80	172	-6.3
82	172	-6.3
84	172	-6.3
86	172	-6.2
88	172	-6
90	172	-5.8
92	172	-5.6
94	172	-5.3
96	172	-5
98	172	-4.7
100	172	-4.4

102	172	-4
104	172	-3.7
106	172	-3.3
108	172	-3
110	172	-2.6
112	172	-2.3
114	172	-2.1
116	172	-1.9
118	172	-1.7
120	172	-1.5
122	172	-1.5
124	172	-1.5
126	172	-1.5
128	172	-1.7
130	172	-1.9
132	172	-2.3
134	172	-2.8
136	172	-3.4
138	172	-4.2
140	172	-5.1
142	172	-6.4
144	172	-7.9
146	172	-9.7
148	172	-11.8
150	172	-13.5
152	172	-13.6
154	172	-11.9
156	172	-9.8
158	172	-7.9
160	172	-6.3
162	172	-5.1
164	172	-4.1
166	172	-3.4
168	172	-2.9
170	172	-2.6
172	172	-2.5
174	172	-2.5
176	172	-2.8
178	172	-3.2
180	172	-3.9
-180	174	-3.2
-178	174	-3.7
-176	174	-4.3
-174	174	-5.1
-172	174	-6.1
-170	174	-7.2
-168	174	-8.7
-166	174	-10.5
-164	174	-12.9
-162	174	-16.2
-160	174	-21.3
-158	174	-26.3
-156	174	-20.7
-154	174	-16
-152	174	-12.9
-150	174	-10.7
-148	174	-9
-146	174	-7.7
-144	174	-6.6
-142	174	-5.7
-140	174	-4.9
-138	174	-4.3
-136	174	-3.8
-134	174	-3.4
-132	174	-3
-130	174	-2.7
-128	174	-2.4
-126	174	-2.2
-124	174	-2.1
-122	174	-1.9
-120	174	-1.8
-118	174	-1.7
-116	174	-1.7
-114	174	-1.6
-112	174	-1.6
-110	174	-1.6
-108	174	-1.5
-106	174	-1.5
-104	174	-1.5
-102	174	-1.5
-100	174	-1.5
-98	174	-1.5
-96	174	-1.5
-94	174	-1.5
-92	174	-1.5
-90	174	-1.5
-88	174	-1.5
-86	174	-1.5
-84	174	-1.6
-82	174	-1.6
-80	174	-1.6
-78	174	-1.7
-76	174	-1.8
-74	174	-1.9
-72	174	-2
-70	174	-2.1
-68	174	-2.3
-66	174	-2.5
-64	174	-2.8
-62	174	-3.1
-60	174	-3.4
-58	174	-3.9
-56	174	-4.4
-54	174	-5
-52	174	-5.7
-50	174	-6.6
-48	174	-7.6
-46	174	-8.8
-44	174	-10.1
-42	174	-11.7
-40	174	-13.4
-38	174	-14.7
-36	174	-14.9
-34	174	-13.9
-32	174	-12.2
-30	174	-10.4
-28	174	-8.9
-26	174	-7.5
-24	174	-6.4

-22	174	-5.4
-20	174	-4.6
-18	174	-4
-16	174	-3.5
-14	174	-3.1
-12	174	-2.8
-10	174	-2.6
-8	174	-2.6
-6	174	-2.6
-4	174	-2.7
-2	174	-3
0	174	-3.3
2	174	-3.8
4	174	-4.4
6	174	-5.2
8	174	-6.1
10	174	-7.3
12	174	-8.8
14	174	-10.6
16	174	-13
18	174	-16.4
20	174	-21.5
22	174	-26.5
24	174	-20.8
26	174	-16.1
28	174	-13
30	174	-10.8
32	174	-9.1
34	174	-7.8
36	174	-6.7
38	174	-5.8
40	174	-5
42	174	-4.4
44	174	-3.9
46	174	-3.4
48	174	-3.1
50	174	-2.8
52	174	-2.5
54	174	-2.3
56	174	-2.1
58	174	-2
60	174	-1.9
62	174	-1.8
64	174	-1.7
66	174	-1.6
68	174	-1.6
70	174	-1.6
72	174	-1.5
74	174	-1.5
76	174	-1.5
78	174	-1.5
80	174	-1.4
82	174	-1.4
84	174	-1.4
86	174	-1.4
88	174	-1.4
90	174	-1.4
92	174	-1.4
94	174	-1.4
96	174	-1.4
98	174	-1.5
100	174	-1.5
102	174	-1.6
104	174	-1.6
106	174	-1.7
108	174	-1.9
110	174	-2
112	174	-2.2
114	174	-2.4
116	174	-2.7
118	174	-3
120	174	-3.4
122	174	-3.8
124	174	-4.4
126	174	-5
128	174	-5.8
130	174	-6.6
132	174	-7.7
134	174	-8.9
136	174	-10.4
138	174	-12.1
140	174	-13.9
142	174	-15.3
144	174	-15.4
146	174	-14.1
148	174	-12.2
150	174	-10.4
152	174	-8.8
154	174	-7.4
156	174	-6.3
158	174	-5.3
160	174	-4.5
162	174	-3.9
164	174	-3.4
166	174	-3
168	174	-2.7
170	174	-2.5
172	174	-2.5
174	174	-2.5
176	174	-2.6
178	174	-2.9
180	174	-3.2
-180	176	-2.6
-178	176	-2.8
-176	176	-3.1
-174	176	-3.4
-172	176	-3.7
-170	176	-4.1
-168	176	-4.6
-166	176	-5.1
-164	176	-5.7
-162	176	-6.4
-160	176	-7.2
-158	176	-8.1
-156	176	-9
-154	176	-10.2
-152	176	-11.4
-150	176	-13
-148	176	-14.7

-146	176	-16.9
-144	176	-19.7
-142	176	-23.2
-140	176	-26.5
-138	176	-25.7
-136	176	-22.3
-134	176	-19.4
-132	176	-17.2
-130	176	-15.5
-128	176	-14.1
-126	176	-13
-124	176	-12.1
-122	176	-11.3
-120	176	-10.6
-118	176	-10
-116	176	-9.5
-114	176	-9.1
-112	176	-8.8
-110	176	-8.5
-108	176	-8.2
-106	176	-8.1
-104	176	-7.9
-102	176	-7.8
-100	176	-7.7
-98	176	-7.7
-96	176	-7.7
-94	176	-7.7
-92	176	-7.8
-90	176	-7.9
-88	176	-8
-86	176	-8.2
-84	176	-8.5
-82	176	-8.7
-80	176	-9.1
-78	176	-9.5
-76	176	-9.9
-74	176	-10.5
-72	176	-11.1
-70	176	-11.8
-68	176	-12.6
-66	176	-13.5
-64	176	-14.6
-62	176	-15.7
-60	176	-16.9
-58	176	-18
-56	176	-18.6
-54	176	-18.3
-52	176	-17.3
-50	176	-15.9
-48	176	-14.4
-46	176	-12.9
-44	176	-11.6
-42	176	-10.4
-40	176	-9.4
-38	176	-8.4
-36	176	-7.5
-34	176	-6.8
-32	176	-6.1
-30	176	-5.5
-28	176	-4.9
-26	176	-4.4
-24	176	-4
-22	176	-3.6
-20	176	-3.3
-18	176	-3
-16	176	-2.8
-14	176	-2.6
-12	176	-2.5
-10	176	-2.4
-8	176	-2.4
-6	176	-2.4
-4	176	-2.5
-2	176	-2.6
0	176	-2.7
2	176	-2.9
4	176	-3.2
6	176	-3.4
8	176	-3.8
10	176	-4.2
12	176	-4.7
14	176	-5.2
16	176	-5.8
18	176	-6.5
20	176	-7.2
22	176	-8.1
24	176	-9.1
26	176	-10.2
28	176	-11.4
30	176	-12.9
32	176	-14.6
34	176	-16.7
36	176	-19.3
38	176	-22.3
40	176	-24.9
42	176	-24.5
44	176	-21.9
46	176	-19.3
48	176	-17.2
50	176	-15.5
52	176	-14.1
54	176	-13
56	176	-12.1
58	176	-11.3
60	176	-10.7
62	176	-10.1
64	176	-9.6
66	176	-9.2
68	176	-8.8
70	176	-8.5
72	176	-8.3
74	176	-8.1
76	176	-7.9
78	176	-7.8
80	176	-7.7
82	176	-7.7
84	176	-7.7
86	176	-7.7
88	176	-7.8
90	176	-7.9

92	176	-8
94	176	-8.2
96	176	-8.4
98	176	-8.7
100	176	-9.1
102	176	-9.5
104	176	-9.9
106	176	-10.4
108	176	-11.1
110	176	-11.8
112	176	-12.6
114	176	-13.5
116	176	-14.6
118	176	-15.8
120	176	-17
122	176	-18
124	176	-18.6
126	176	-18.3
128	176	-17.2
130	176	-15.8
132	176	-14.3
134	176	-12.8
136	176	-11.5
138	176	-10.3
140	176	-9.2
142	176	-8.3
144	176	-7.4
146	176	-6.6
148	176	-6
150	176	-5.3
152	176	-4.8
154	176	-4.3
156	176	-3.9
158	176	-3.5
160	176	-3.2
162	176	-2.9
164	176	-2.7
166	176	-2.5
168	176	-2.4
170	176	-2.3
172	176	-2.3
174	176	-2.3
176	176	-2.4
178	176	-2.5
180	176	-2.6
-180	178	-2.2
-178	178	-2.2
-176	178	-2.3
-174	178	-2.3
-172	178	-2.4
-170	178	-2.5
-168	178	-2.6
-166	178	-2.7
-164	178	-2.8
-162	178	-3
-160	178	-3.1
-158	178	-3.3
-156	178	-3.4
-154	178	-3.6
-152	178	-3.8
-150	178	-3.9
-148	178	-4.1
-146	178	-4.3
-144	178	-4.5
-142	178	-4.7
-140	178	-4.9
-138	178	-5.1
-136	178	-5.3
-134	178	-5.5
-132	178	-5.7
-130	178	-5.9
-128	178	-6.1
-126	178	-6.3
-124	178	-6.5
-122	178	-6.7
-120	178	-6.9
-118	178	-7
-116	178	-7.2
-114	178	-7.3
-112	178	-7.5
-110	178	-7.6
-108	178	-7.7
-106	178	-7.8
-104	178	-7.8
-102	178	-7.9
-100	178	-7.9
-98	178	-7.9
-96	178	-7.9
-94	178	-7.9
-92	178	-7.9
-90	178	-7.8
-88	178	-7.7
-86	178	-7.6
-84	178	-7.5
-82	178	-7.4
-80	178	-7.3
-78	178	-7.1
-76	178	-7
-74	178	-6.8
-72	178	-6.6
-70	178	-6.4
-68	178	-6.2
-66	178	-6
-64	178	-5.8
-62	178	-5.6
-60	178	-5.4
-58	178	-5.2
-56	178	-5
-54	178	-4.8
-52	178	-4.6
-50	178	-4.4
-48	178	-4.3
-46	178	-4.1
-44	178	-3.9
-42	178	-3.7
-40	178	-3.5
-38	178	-3.4
-36	178	-3.2
-34	178	-3.1

-32	178	-3
-30	178	-2.8
-28	178	-2.7
-26	178	-2.6
-24	178	-2.5
-22	178	-2.4
-20	178	-2.4
-18	178	-2.3
-16	178	-2.2
-14	178	-2.2
-12	178	-2.2
-10	178	-2.1
-8	178	-2.1
-6	178	-2.1
-4	178	-2.1
-2	178	-2.2
0	178	-2.2
2	178	-2.2
4	178	-2.3
6	178	-2.4
8	178	-2.5
10	178	-2.5
12	178	-2.6
14	178	-2.7
16	178	-2.9
18	178	-3
20	178	-3.1
22	178	-3.3
24	178	-3.4
26	178	-3.6
28	178	-3.8
30	178	-3.9
32	178	-4.1
34	178	-4.3
36	178	-4.5
38	178	-4.7
40	178	-4.9
42	178	-5.1
44	178	-5.3
46	178	-5.5
48	178	-5.7
50	178	-5.9
52	178	-6.1
54	178	-6.3
56	178	-6.4
58	178	-6.6
60	178	-6.8
62	178	-7
64	178	-7.1
66	178	-7.2
68	178	-7.4
70	178	-7.5
72	178	-7.6
74	178	-7.7
76	178	-7.7
78	178	-7.8
80	178	-7.8
82	178	-7.8
84	178	-7.8
86	178	-7.8
88	178	-7.7
90	178	-7.7
92	178	-7.6
94	178	-7.5
96	178	-7.4
98	178	-7.3
100	178	-7.2
102	178	-7
104	178	-6.9
106	178	-6.7
108	178	-6.5
110	178	-6.3
112	178	-6.1
114	178	-6
116	178	-5.8
118	178	-5.6
120	178	-5.4
122	178	-5.2
124	178	-5
126	178	-4.8
128	178	-4.6
130	178	-4.4
132	178	-4.2
134	178	-4
136	178	-3.8
138	178	-3.6
140	178	-3.5
142	178	-3.3
144	178	-3.2
146	178	-3
148	178	-2.9
150	178	-2.8
152	178	-2.7
154	178	-2.6
156	178	-2.5
158	178	-2.4
160	178	-2.3
162	178	-2.2
164	178	-2.2
166	178	-2.1
168	178	-2.1
170	178	-2.1
172	178	-2.1
174	178	-2.1
176	178	-2.1
178	178	-2.1
180	178	-2.2
-180	180	-2
-178	180	-2
-176	180	-2
-174	180	-2
-172	180	-2
-170	180	-2
-168	180	-2
-166	180	-2
-164	180	-2
-162	180	-2
-160	180	-2
-158	180	-2

-156	180	-2
-154	180	-2
-152	180	-2
-150	180	-2
-148	180	-2
-146	180	-2
-144	180	-2
-142	180	-2
-140	180	-2
-138	180	-2
-136	180	-2
-134	180	-2
-132	180	-2
-130	180	-2
-128	180	-2
-126	180	-2
-124	180	-2
-122	180	-2
-120	180	-2
-118	180	-2
-116	180	-2
-114	180	-2
-112	180	-2
-110	180	-2
-108	180	-2
-106	180	-2
-104	180	-2
-102	180	-2
-100	180	-2
-98	180	-2
-96	180	-2
-94	180	-2
-92	180	-2
-90	180	-2
-88	180	-2
-86	180	-2
-84	180	-2
-82	180	-2
-80	180	-2
-78	180	-2
-76	180	-2
-74	180	-2
-72	180	-2
-70	180	-2
-68	180	-2
-66	180	-2
-64	180	-2
-62	180	-2
-60	180	-2
-58	180	-2
-56	180	-2
-54	180	-2
-52	180	-2
-50	180	-2
-48	180	-2
-46	180	-2
-44	180	-2
-42	180	-2
-40	180	-2
-38	180	-2
-36	180	-2
-34	180	-2
-32	180	-2
-30	180	-2
-28	180	-2
-26	180	-2
-24	180	-2
-22	180	-2
-20	180	-2
-18	180	-2
-16	180	-2
-14	180	-2
-12	180	-2
-10	180	-2
-8	180	-2
-6	180	-2
-4	180	-2
-2	180	-2
0	180	-2
2	180	-2
4	180	-2
6	180	-2
8	180	-2
10	180	-2
12	180	-2
14	180	-2
16	180	-2
18	180	-2
20	180	-2
22	180	-2
24	180	-2
26	180	-2
28	180	-2
30	180	-2
32	180	-2
34	180	-2
36	180	-2
38	180	-2
40	180	-2
42	180	-2
44	180	-2
46	180	-2
48	180	-2
50	180	-2
52	180	-2
54	180	-2
56	180	-2
58	180	-2
60	180	-2
62	180	-2
64	180	-2
66	180	-2
68	180	-2
70	180	-2
72	180	-2
74	180	-2
76	180	-2
78	180	-2
80	180	-2

82	180	-2
84	180	-2
86	180	-2
88	180	-2
90	180	-2
92	180	-2
94	180	-2
96	180	-2
98	180	-2
100	180	-2
102	180	-2
104	180	-2
106	180	-2
108	180	-2
110	180	-2
112	180	-2
114	180	-2
116	180	-2
118	180	-2
120	180	-2
122	180	-2
124	180	-2
126	180	-2
128	180	-2
130	180	-2
132	180	-2
134	180	-2
136	180	-2
138	180	-2
140	180	-2
142	180	-2
144	180	-2
146	180	-2
148	180	-2
150	180	-2
152	180	-2
154	180	-2
156	180	-2
158	180	-2
160	180	-2
162	180	-2
164	180	-2
166	180	-2
168	180	-2
170	180	-2
172	180	-2
174	180	-2
176	180	-2
178	180	-2
180	180	-2

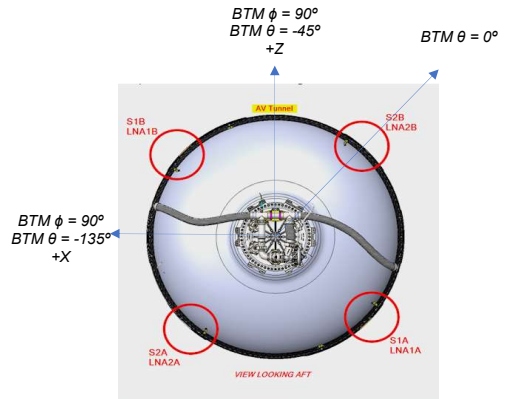
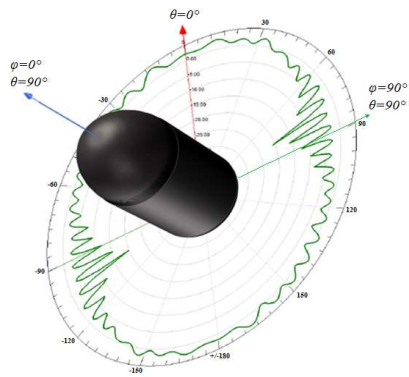
Phi[deg]	Theta[deg]	dB(GainTotal)
-180	0	0.9
-178	0	0.9
-176	0	0.9
-174	0	0.9
-172	0	0.9
-170	0	0.9
-168	0	0.9
-166	0	0.9
-164	0	0.9
-162	0	0.9
-160	0	0.9
-158	0	0.9
-156	0	0.9
-154	0	0.9
-152	0	0.9
-150	0	0.9
-148	0	0.9
-146	0	0.9
-144	0	0.9
-142	0	0.9
-140	0	0.9
-138	0	0.9
-136	0	0.9
-134	0	0.9
-132	0	0.9
-130	0	0.9
-128	0	0.9
-126	0	0.9
-124	0	0.9
-122	0	0.9
-120	0	0.9
-118	0	0.9
-116	0	0.9
-114	0	0.9
-112	0	0.9
-110	0	0.9
-108	0	0.9
-106	0	0.9
-104	0	0.9
-102	0	0.9
-100	0	0.9
-98	0	0.9
-96	0	0.9
-94	0	0.9
-92	0	0.9
-90	0	0.9
-88	0	0.9
-86	0	0.9
-84	0	0.9
-82	0	0.9
-80	0	0.9
-78	0	0.9
-76	0	0.9
-74	0	0.9
-72	0	0.9
-70	0	0.9
-68	0	0.9
-66	0	0.9
-64	0	0.9
-62	0	0.9
-60	0	0.9
-58	0	0.9
-56	0	0.9
-54	0	0.9
-52	0	0.9
-50	0	0.9
-48	0	0.9
-46	0	0.9
-44	0	0.9
-42	0	0.9
-40	0	0.9
-38	0	0.9
-36	0	0.9
-34	0	0.9
-32	0	0.9
-30	0	0.9
-28	0	0.9
-26	0	0.9
-24	0	0.9
-22	0	0.9
-20	0	0.9
-18	0	0.9
-16	0	0.9
-14	0	0.9
-12	0	0.9
-10	0	0.9
-8	0	0.9
-6	0	0.9
-4	0	0.9
-2	0	0.9
0	0	0.9
2	0	0.9
4	0	0.9
6	0	0.9
8	0	0.9
10	0	0.9
12	0	0.9
14	0	0.9
16	0	0.9
18	0	0.9
20	0	0.9
22	0	0.9
24	0	0.9
26	0	0.9
28	0	0.9
30	0	0.9
32	0	0.9
34	0	0.9
36	0	0.9
38	0	0.9
40	0	0.9
42	0	0.9
44	0	0.9
46	0	0.9
48	0	0.9
50	0	0.9
52	0	0.9
54	0	0.9
56	0	0.9
58	0	0.9
60	0	0.9
62	0	0.9
64	0	0.9
66	0	0.9
68	0	0.9
70	0	0.9
72	0	0.9
74	0	0.9
76	0	0.9
78	0	0.9
80	0	0.9
82	0	0.9
84	0	0.9
86	0	0.9
88	0	0.9
90	0	0.9
92	0	0.9

BTM ANTENNA NOTES:

PHI AND THETA ARE ANGLES WITHIN THE ATM OR BTM ANTENNA REFERENCE FRAME. THE BTM PATTERN IS IDENTICAL TO THE ATM PATTERN, EXCEPT ROTATED BY 90 DEGREES WITH RESPECT TO THE VEHICLE.
 ANTENNA PATTERN DIAGRAM SHOWN BELOW IS AN INDICATIVE EXAMPLE ONLY AND DOES NOT NECESSARILY CORRESPOND TO DATA. VALID VALUES IN NUMERICAL DATA ON THE LEFT.
 X, Y AND Z ARE DIRECTIONS IN CARTESIAN FRAMES
 ANTENNA CARTESIAN FRAME DEFINED W.R.T. VEHICLE BODY FRAME BY DCM.
 VEHICLE BODY FRAME Y AXIS IS ORIENTATED ALONG VEHICLE MAIN AXIS (CYLINDER AXIS).
 VEHICLE BODY FRAME X AND Z AXES COLINEAR TO VEHICLE CYLINDER BASE PLANE, WITH Z AT VEHICLE DATUM.
 +Y VEHICLE DIRECTION CORRESPONDS TO BTM ANTENNA ANGLES PHI = 0°, THETA = 90°, AND FACES FORWARDS OUT OF THE NOSE CONE.
 +Z VEHICLE DIRECTION CORRESPONDS TO BTM ANTENNA ANGLES PHI = 90°, THETA = -45°
 +X VEHICLE DIRECTION CORRESPONDS TO BTM ANTENNA ANGLES PHI = 90°, THETA = -135°
 RED CIRCLES REPRESENT ANTENNA PAIR MOUNTINGS. S1A AND S1B ARE A PHASED PAIR THAT EMIT THE ATM CARRIER. S2A AND S2B ARE A PHASED PAIR THAT EMIT THE BTM CARRIER
 ALL ANTENNAS ON STAGE 2 ARE 45° LINEAR POLARISATION. THEREFORE, WHEN ASSESSING THE LHCP/RHCP-RECEIVED GROUND STATION SIGNAL, AN ASSUMED 3dB LOSS SHOULD BE APPLIED
 Angle BODY to ANT 45 deg
 0.7854 rad

THE COORDINATES OF THE ANTENNA FRAME VECTORS IN THE BODY FRAME ARE THE FOLLOWING

X_BODY	Y_BODY	Z_BODY
X_ANT 0.70711	0	0.70711
Y_ANT 0.70711	0	-0.70711
Z_ANT 0	1	0



94	0	0.9
96	0	0.9
98	0	0.9
100	0	0.9
102	0	0.9
104	0	0.9
106	0	0.9
108	0	0.9
110	0	0.9
112	0	0.9
114	0	0.9
116	0	0.9
118	0	0.9
120	0	0.9
122	0	0.9
124	0	0.9
126	0	0.9
128	0	0.9
130	0	0.9
132	0	0.9
134	0	0.9
136	0	0.9
138	0	0.9
140	0	0.9
142	0	0.9
144	0	0.9
146	0	0.9
148	0	0.9
150	0	0.9
152	0	0.9
154	0	0.9
156	0	0.9
158	0	0.9
160	0	0.9
162	0	0.9
164	0	0.9
166	0	0.9
168	0	0.9
170	0	0.9
172	0	0.9
174	0	0.9
176	0	0.9
178	0	0.9
180	0	0.9
-180	2	0.9
-178	2	0.9
-176	2	0.9
-174	2	0.8
-172	2	0.8
-170	2	0.8
-168	2	0.7
-166	2	0.6
-164	2	0.6
-162	2	0.5
-160	2	0.4
-158	2	0.3
-156	2	0.2
-154	2	0.1
-152	2	0
-150	2	-0.1
-148	2	-0.3
-146	2	-0.4
-144	2	-0.5
-142	2	-0.7
-140	2	-0.8
-138	2	-1
-136	2	-1.1
-134	2	-1.3
-132	2	-1.4
-130	2	-1.6
-128	2	-1.8
-126	2	-1.9
-124	2	-2.1
-122	2	-2.2
-120	2	-2.4
-118	2	-2.5
-116	2	-2.7
-114	2	-2.8
-112	2	-2.9
-110	2	-3
-108	2	-3.1
-106	2	-3.2
-104	2	-3.3
-102	2	-3.4
-100	2	-3.5
-98	2	-3.5
-96	2	-3.6
-94	2	-3.6
-92	2	-3.6
-90	2	-3.6
-88	2	-3.6
-86	2	-3.6
-84	2	-3.5
-82	2	-3.5
-80	2	-3.4
-78	2	-3.4
-76	2	-3.3
-74	2	-3.2
-72	2	-3.1
-70	2	-3
-68	2	-2.8
-66	2	-2.7
-64	2	-2.6
-62	2	-2.4
-60	2	-2.3
-58	2	-2.1
-56	2	-2
-54	2	-1.8
-52	2	-1.6
-50	2	-1.5
-48	2	-1.3
-46	2	-1.2
-44	2	-1
-42	2	-0.9
-40	2	-0.7
-38	2	-0.6
-36	2	-0.4
-34	2	-0.3
-32	2	-0.2
-30	2	0
-28	2	0.1
-26	2	0.2
-24	2	0.3
-22	2	0.4
-20	2	0.5
-18	2	0.6
-16	2	0.7
-14	2	0.7
-12	2	0.8
-10	2	0.8
-8	2	0.9
-6	2	0.9
-4	2	0.9
-2	2	1
0	2	1
2	2	1
4	2	0.9
6	2	0.9

8	2	0.9
10	2	0.8
12	2	0.8
14	2	0.7
16	2	0.7
18	2	0.6
20	2	0.5
22	2	0.4
24	2	0.3
26	2	0.2
28	2	0.1
30	2	0
32	2	-0.1
34	2	-0.3
36	2	-0.4
38	2	-0.5
40	2	-0.7
42	2	-0.8
44	2	-1
46	2	-1.1
48	2	-1.3
50	2	-1.4
52	2	-1.6
54	2	-1.7
56	2	-1.9
58	2	-2
60	2	-2.2
62	2	-2.3
64	2	-2.5
66	2	-2.6
68	2	-2.7
70	2	-2.8
72	2	-2.9
74	2	-3
76	2	-3.1
78	2	-3.2
80	2	-3.3
82	2	-3.3
84	2	-3.4
86	2	-3.4
88	2	-3.4
90	2	-3.4
92	2	-3.4
94	2	-3.4
96	2	-3.4
98	2	-3.3
100	2	-3.3
102	2	-3.2
104	2	-3.1
106	2	-3
108	2	-2.9
110	2	-2.8
112	2	-2.7
114	2	-2.6
116	2	-2.5
118	2	-2.3
120	2	-2.2
122	2	-2
124	2	-1.9
126	2	-1.7
128	2	-1.6
130	2	-1.4
132	2	-1.3
134	2	-1.1
136	2	-1
138	2	-0.8
140	2	-0.7
142	2	-0.5
144	2	-0.4
146	2	-0.3
148	2	-0.1
150	2	0
152	2	0.1
154	2	0.2
156	2	0.3
158	2	0.4
160	2	0.5
162	2	0.6
164	2	0.6
166	2	0.7
168	2	0.8
170	2	0.8
172	2	0.8
174	2	0.9
176	2	0.9
178	2	0.9
180	2	0.9
-180	4	1
-178	4	0.9
-176	4	0.9
-174	4	0.8
-172	4	0.6
-170	4	0.5
-168	4	0.2
-166	4	0
-164	4	-0.3
-162	4	-0.6
-160	4	-1
-158	4	-1.4
-156	4	-1.9
-154	4	-2.4
-152	4	-3
-150	4	-3.6
-148	4	-4.3
-146	4	-5.1
-144	4	-5.9
-142	4	-6.8
-140	4	-7.9
-138	4	-9
-136	4	-10.3
-134	4	-11.7
-132	4	-13.3
-130	4	-15.1
-128	4	-17.1
-126	4	-18.9
-124	4	-20.1
-122	4	-20
-120	4	-18.8
-118	4	-17.3
-116	4	-15.9
-114	4	-14.6
-112	4	-13.6
-110	4	-12.7
-108	4	-11.9
-106	4	-11.3
-104	4	-10.8
-102	4	-10.4
-100	4	-10
-98	4	-9.7
-96	4	-9.5
-94	4	-9.4
-92	4	-9.3
-90	4	-9.3
-88	4	-9.3
-86	4	-9.4
-84	4	-9.6
-82	4	-9.8
-80	4	-10.1

-78	4	-10.5
-76	4	-10.9
-74	4	-11.5
-72	4	-12.1
-70	4	-12.9
-68	4	-13.7
-66	4	-14.7
-64	4	-15.8
-62	4	-17
-60	4	-17.9
-58	4	-18.3
-56	4	-17.8
-54	4	-16.6
-52	4	-15.1
-50	4	-13.5
-48	4	-12
-46	4	-10.6
-44	4	-9.3
-42	4	-8.2
-40	4	-7.2
-38	4	-6.2
-36	4	-5.4
-34	4	-4.6
-32	4	-3.9
-30	4	-3.2
-28	4	-2.6
-26	4	-2.1
-24	4	-1.6
-22	4	-1.1
-20	4	-0.7
-18	4	-0.4
-16	4	-0.1
-14	4	0.2
-12	4	0.4
-10	4	0.6
-8	4	0.8
-6	4	0.9
-4	4	1
-2	4	1.1
0	4	1.1
2	4	1
4	4	1
6	4	0.9
8	4	0.8
10	4	0.6
12	4	0.4
14	4	0.1
16	4	-0.1
18	4	-0.5
20	4	-0.8
22	4	-1.3
24	4	-1.7
26	4	-2.2
28	4	-2.8
30	4	-3.4
32	4	-4
34	4	-4.8
36	4	-5.6
38	4	-6.5
40	4	-7.5
42	4	-8.5
44	4	-9.7
46	4	-11.1
48	4	-12.6
50	4	-14.2
52	4	-16
54	4	-17.7
56	4	-19.1
58	4	-19.5
60	4	-18.8
62	4	-17.6
64	4	-16.3
66	4	-15.1
68	4	-14
70	4	-13.1
72	4	-12.3
74	4	-11.7
76	4	-11.1
78	4	-10.7
80	4	-10.3
82	4	-10
84	4	-9.8
86	4	-9.7
88	4	-9.6
90	4	-9.6
92	4	-9.6
94	4	-9.7
96	4	-9.9
98	4	-10.1
100	4	-10.4
102	4	-10.7
104	4	-11.2
106	4	-11.7
108	4	-12.4
110	4	-13.1
112	4	-14
114	4	-15.1
116	4	-16.2
118	4	-17.4
120	4	-18.4
122	4	-18.7
124	4	-18.2
126	4	-16.9
128	4	-15.3
130	4	-13.7
132	4	-12.1
134	4	-10.7
136	4	-9.4
138	4	-8.3
140	4	-7.3
142	4	-6.3
144	4	-5.4
146	4	-4.7
148	4	-3.9
150	4	-3.3
152	4	-2.7
154	4	-2.2
156	4	-1.7
158	4	-1.2
160	4	-0.8
162	4	-0.5
164	4	-0.2
166	4	0.1
168	4	0.4
170	4	0.5
172	4	0.7
174	4	0.8
176	4	0.9
178	4	1
180	4	1
-180	6	1.1
-178	6	1
-176	6	0.9
-174	6	0.7
-172	6	0.3
-170	6	-0.1
-168	6	-0.6
-166	6	-1.2

-164	6	-1.9
-162	6	-2.8
-160	6	-3.8
-158	6	-5
-156	6	-6.5
-154	6	-8.3
-152	6	-10.6
-150	6	-13.6
-148	6	-17.4
-146	6	-20.1
-144	6	-17.5
-142	6	-13.9
-140	6	-11.1
-138	6	-9
-136	6	-7.4
-134	6	-6.1
-132	6	-5
-130	6	-4.1
-128	6	-3.4
-126	6	-2.7
-124	6	-2.2
-122	6	-1.7
-120	6	-1.3
-118	6	-1
-116	6	-0.7
-114	6	-0.4
-112	6	-0.2
-110	6	-0.1
-108	6	0.1
-106	6	0.2
-104	6	0.3
-102	6	0.4
-100	6	0.5
-98	6	0.5
-96	6	0.6
-94	6	0.6
-92	6	0.6
-90	6	0.6
-88	6	0.6
-86	6	0.5
-84	6	0.5
-82	6	0.4
-80	6	0.4
-78	6	0.3
-76	6	0.2
-74	6	0.1
-72	6	-0.1
-70	6	-0.3
-68	6	-0.5
-66	6	-0.7
-64	6	-1
-62	6	-1.3
-60	6	-1.6
-58	6	-2.1
-56	6	-2.5
-54	6	-3.1
-52	6	-3.8
-50	6	-4.6
-48	6	-5.5
-46	6	-6.6
-44	6	-8
-42	6	-9.6
-40	6	-11.6
-38	6	-14
-36	6	-16.1
-34	6	-16.1
-32	6	-13.9
-30	6	-11.3
-28	6	-9
-26	6	-7.2
-24	6	-5.6
-22	6	-4.3
-20	6	-3.2
-18	6	-2.3
-16	6	-1.5
-14	6	-0.8
-12	6	-0.3
-10	6	0.2
-8	6	0.6
-6	6	0.8
-4	6	1
-2	6	1.1
0	6	1.2
2	6	1.1
4	6	1
6	6	0.7
8	6	0.4
10	6	0
12	6	-0.5
14	6	-1.1
16	6	-1.8
18	6	-2.6
20	6	-3.6
22	6	-4.8
24	6	-6.3
26	6	-8
28	6	-10.2
30	6	-13
32	6	-16.5
34	6	-19
36	6	-17.2
38	6	-13.9
40	6	-11.2
42	6	-9.2
44	6	-7.5
46	6	-6.2
48	6	-5.1
50	6	-4.2
52	6	-3.4
54	6	-2.8
56	6	-2.2
58	6	-1.8
60	6	-1.4
62	6	-1
64	6	-0.7
66	6	-0.5
68	6	-0.2
70	6	-0.1
72	6	0.1
74	6	0.2
76	6	0.3
78	6	0.4
80	6	0.5
82	6	0.6
84	6	0.6
86	6	0.6
88	6	0.6
90	6	0.6
92	6	0.6
94	6	0.6
96	6	0.6
98	6	0.5
100	6	0.4
102	6	0.4
104	6	0.3
106	6	0.1
108	6	0
110	6	-0.2

112	6	-0.4
114	6	-0.6
116	6	-0.8
118	6	-1.1
120	6	-1.5
122	6	-1.9
124	6	-2.4
126	6	-2.9
128	6	-3.6
130	6	-4.4
132	6	-5.3
134	6	-6.4
136	6	-7.7
138	6	-9.3
140	6	-11.3
142	6	-13.8
144	6	-16.2
146	6	-16.8
148	6	-14.6
150	6	-11.8
152	6	-9.4
154	6	-7.5
156	6	-5.9
158	6	-4.5
160	6	-3.4
162	6	-2.4
164	6	-1.6
166	6	-0.9
168	6	-0.4
170	6	0.1
172	6	0.5
174	6	0.7
176	6	0.9
178	6	1
180	6	1.1
-180	8	1.2
-178	8	1.1
-176	8	0.9
-174	8	0.5
-172	8	-0.1
-170	8	-0.9
-168	8	-1.8
-166	8	-3.1
-164	8	-4.7
-162	8	-6.7
-160	8	-9.5
-158	8	-13.4
-156	8	-18.4
-154	8	-17.2
-152	8	-12.4
-150	8	-9
-148	8	-6.6
-146	8	-4.8
-144	8	-3.4
-142	8	-2.3
-140	8	-1.4
-138	8	-0.7
-136	8	-0.2
-134	8	0.3
-132	8	0.7
-130	8	0.9
-128	8	1.1
-126	8	1.3
-124	8	1.4
-122	8	1.4
-120	8	1.4
-118	8	1.4
-116	8	1.4
-114	8	1.3
-112	8	1.3
-110	8	1.2
-108	8	1.1
-106	8	1
-104	8	0.9
-102	8	0.8
-100	8	0.7
-98	8	0.6
-96	8	0.6
-94	8	0.5
-92	8	0.5
-90	8	0.4
-88	8	0.4
-86	8	0.4
-84	8	0.5
-82	8	0.5
-80	8	0.5
-78	8	0.6
-76	8	0.6
-74	8	0.7
-72	8	0.8
-70	8	0.9
-68	8	0.9
-66	8	1
-64	8	1
-62	8	1.1
-60	8	1.1
-58	8	1
-56	8	1
-54	8	0.9
-52	8	0.7
-50	8	0.5
-48	8	0.2
-46	8	-0.2
-44	8	-0.6
-42	8	-1.2
-40	8	-2
-38	8	-2.9
-36	8	-4
-34	8	-5.5
-32	8	-7.3
-30	8	-9.7
-28	8	-12.7
-26	8	-15.1
-24	8	-13.7
-22	8	-10.5
-20	8	-7.7
-18	8	-5.5
-16	8	-3.8
-14	8	-2.4
-12	8	-1.3
-10	8	-0.5
-8	8	0.2
-6	8	0.7
-4	8	1
-2	8	1.2
0	8	1.2
2	8	1.1
4	8	0.9
6	8	0.5
8	8	-0.1
10	8	-0.9
12	8	-1.8
14	8	-3.1
16	8	-4.7
18	8	-6.7
20	8	-9.4
22	8	-13.2
24	8	-17.7

26	8	-16.7
28	8	-12.2
30	8	-8.9
32	8	-6.6
34	8	-4.8
36	8	-3.4
38	8	-2.3
40	8	-1.4
42	8	-0.7
44	8	-0.1
46	8	0.3
48	8	0.7
50	8	1
52	8	1.2
54	8	1.3
56	8	1.4
58	8	1.5
60	8	1.5
62	8	1.5
64	8	1.4
66	8	1.4
68	8	1.3
70	8	1.2
72	8	1.1
74	8	1
76	8	1
78	8	0.9
80	8	0.8
82	8	0.7
84	8	0.6
86	8	0.6
88	8	0.5
90	8	0.5
92	8	0.5
94	8	0.5
96	8	0.5
98	8	0.6
100	8	0.6
102	8	0.7
104	8	0.7
106	8	0.8
108	8	0.9
110	8	1
112	8	1.1
114	8	1.1
116	8	1.2
118	8	1.2
120	8	1.2
122	8	1.2
124	8	1.2
126	8	1.1
128	8	0.9
130	8	0.7
132	8	0.4
134	8	0.1
136	8	-0.4
138	8	-1
140	8	-1.7
142	8	-2.6
144	8	-3.7
146	8	-5.2
148	8	-7
150	8	-9.4
152	8	-12.4
154	8	-15.2
156	8	-14.2
158	8	-10.9
160	8	-7.9
162	8	-5.7
164	8	-3.9
166	8	-2.5
168	8	-1.4
170	8	-0.5
172	8	0.2
174	8	0.6
176	8	1
178	8	1.2
180	8	1.2
-180	10	1.4
-178	10	1.2
-176	10	0.8
-174	10	0.1
-172	10	-0.8
-170	10	-2.1
-168	10	-3.9
-166	10	-6.3
-164	10	-9.8
-162	10	-15.1
-160	10	-17.3
-158	10	-11.8
-156	10	-7.8
-154	10	-5.1
-152	10	-3.1
-150	10	-1.7
-148	10	-0.7
-146	10	0.1
-144	10	0.7
-142	10	1.1
-140	10	1.4
-138	10	1.5
-136	10	1.6
-134	10	1.5
-132	10	1.4
-130	10	1.1
-128	10	0.8
-126	10	0.5
-124	10	0.1
-122	10	-0.3
-120	10	-0.8
-118	10	-1.3
-116	10	-1.8
-114	10	-2.3
-112	10	-2.8
-110	10	-3.2
-108	10	-3.7
-106	10	-4
-104	10	-4.4
-102	10	-4.7
-100	10	-4.9
-98	10	-5.1
-96	10	-5.2
-94	10	-5.3
-92	10	-5.4
-90	10	-5.4
-88	10	-5.4
-86	10	-5.3
-84	10	-5.2
-82	10	-5.1
-80	10	-5
-78	10	-4.8
-76	10	-4.6
-74	10	-4.4
-72	10	-4.1
-70	10	-3.7
-68	10	-3.3
-66	10	-2.9
-64	10	-2.5
-62	10	-2

-60	10	-1.5
-58	10	-1.1
-56	10	-0.6
-54	10	-0.2
-52	10	0.2
-50	10	0.5
-48	10	0.7
-46	10	0.9
-44	10	1
-42	10	0.9
-40	10	0.8
-38	10	0.5
-36	10	0.1
-34	10	-0.5
-32	10	-1.4
-30	10	-2.6
-28	10	-4.1
-26	10	-6.2
-24	10	-9
-22	10	-12.6
-20	10	-14
-18	10	-10.8
-16	10	-7.3
-14	10	-4.7
-12	10	-2.8
-10	10	-1.3
-8	10	-0.3
-6	10	0.5
-4	10	1
-2	10	1.3
0	10	1.3
2	10	1.1
4	10	0.7
6	10	0.1
8	10	-0.9
10	10	-2.2
12	10	-4
14	10	-6.4
16	10	-9.9
18	10	-14.9
20	10	-16.6
22	10	-11.5
24	10	-7.6
26	10	-5
28	10	-3.1
30	10	-1.7
32	10	-0.6
34	10	0.1
36	10	0.7
38	10	1.1
40	10	1.4
42	10	1.5
44	10	1.6
46	10	1.5
48	10	1.4
50	10	1.2
52	10	0.9
54	10	0.5
56	10	0.1
58	10	-0.3
60	10	-0.8
62	10	-1.3
64	10	-1.8
66	10	-2.3
68	10	-2.8
70	10	-3.3
72	10	-3.7
74	10	-4.2
76	10	-4.6
78	10	-4.9
80	10	-5.2
82	10	-5.4
84	10	-5.6
86	10	-5.7
88	10	-5.8
90	10	-5.8
92	10	-5.8
94	10	-5.8
96	10	-5.7
98	10	-5.6
100	10	-5.4
102	10	-5.2
104	10	-5
106	10	-4.7
108	10	-4.3
110	10	-3.9
112	10	-3.5
114	10	-3
116	10	-2.5
118	10	-2
120	10	-1.5
122	10	-1
124	10	-0.5
126	10	-0.1
128	10	0.3
130	10	0.6
132	10	0.9
134	10	1.1
136	10	1.1
138	10	1.1
140	10	1
142	10	0.7
144	10	0.3
146	10	-0.4
148	10	-1.2
150	10	-2.4
152	10	-3.9
154	10	-6
156	10	-8.9
158	10	-12.5
160	10	-14.2
162	10	-10.9
164	10	-7.3
166	10	-4.7
168	10	-2.8
170	10	-1.3
172	10	-0.2
174	10	0.6
176	10	1.1
178	10	1.3
180	10	1.4
-180	12	1.6
-178	12	1.3
-176	12	0.7
-174	12	-0.3
-172	12	-1.8
-170	12	-3.9
-168	12	-7
-166	12	-11.9
-164	12	-16.6
-162	12	-11.3
-160	12	-6.8
-158	12	-3.9
-156	12	-1.9
-154	12	-0.5
-152	12	0.5
-150	12	1.2
-148	12	1.6

-146	12	1.7
-144	12	1.7
-142	12	1.6
-140	12	1.2
-138	12	0.7
-136	12	0.1
-134	12	-0.7
-132	12	-1.5
-130	12	-2.5
-128	12	-3.5
-126	12	-4.5
-124	12	-5.4
-122	12	-6.1
-120	12	-6.4
-118	12	-6.4
-116	12	-6.2
-114	12	-5.7
-112	12	-5.2
-110	12	-4.7
-108	12	-4.2
-106	12	-3.8
-104	12	-3.4
-102	12	-3
-100	12	-2.8
-98	12	-2.5
-96	12	-2.3
-94	12	-2.2
-92	12	-2.1
-90	12	-2
-88	12	-2
-86	12	-2
-84	12	-2
-82	12	-2.1
-80	12	-2.2
-78	12	-2.4
-76	12	-2.5
-74	12	-2.8
-72	12	-3.1
-70	12	-3.4
-68	12	-3.8
-66	12	-4.3
-64	12	-4.7
-62	12	-5.2
-60	12	-5.6
-58	12	-5.8
-56	12	-5.7
-54	12	-5.2
-52	12	-4.5
-50	12	-3.6
-48	12	-2.6
-46	12	-1.7
-44	12	-0.9
-42	12	-0.2
-40	12	0.4
-38	12	0.8
-36	12	1
-34	12	1
-32	12	0.8
-30	12	0.3
-28	12	-0.5
-26	12	-1.6
-24	12	-3.3
-22	12	-5.7
-20	12	-9.1
-18	12	-13.1
-16	12	-12.1
-14	12	-7.8
-12	12	-4.6
-10	12	-2.3
-8	12	-0.7
-6	12	0.4
-4	12	1.1
-2	12	1.5
0	12	1.5
2	12	1.2
4	12	0.6
6	12	-0.4
8	12	-1.9
10	12	-4
12	12	-7.1
14	12	-11.8
16	12	-15.9
18	12	-11
20	12	-6.7
22	12	-3.8
24	12	-1.9
26	12	-0.5
28	12	0.5
30	12	1.1
32	12	1.5
34	12	1.7
36	12	1.7
38	12	1.5
40	12	1.2
42	12	0.7
44	12	0
46	12	-0.7
48	12	-1.6
50	12	-2.5
52	12	-3.5
54	12	-4.5
56	12	-5.4
58	12	-6.1
60	12	-6.5
62	12	-6.6
64	12	-6.3
66	12	-5.9
68	12	-5.4
70	12	-4.9
72	12	-4.4
74	12	-3.9
76	12	-3.5
78	12	-3.2
80	12	-2.9
82	12	-2.6
84	12	-2.4
86	12	-2.2
88	12	-2.1
90	12	-2
92	12	-2
94	12	-2
96	12	-2
98	12	-2.1
100	12	-2.2
102	12	-2.3
104	12	-2.5
106	12	-2.8
108	12	-3.1
110	12	-3.5
112	12	-4
114	12	-4.5
116	12	-5
118	12	-5.6
120	12	-6
122	12	-6.2
124	12	-6
126	12	-5.4
128	12	-4.6

130	12	-3.6
132	12	-2.6
134	12	-1.6
136	12	-0.8
138	12	0
140	12	0.5
142	12	0.9
144	12	1.1
146	12	1.1
148	12	0.9
150	12	0.4
152	12	-0.4
154	12	-1.6
156	12	-3.2
158	12	-5.6
160	12	-9.1
162	12	-13.3
164	12	-12.3
166	12	-7.9
168	12	-4.6
170	12	-2.3
172	12	-0.7
174	12	0.4
176	12	1.2
178	12	1.5
180	12	1.6
-180	14	1.7
-178	14	1.3
-176	14	0.4
-174	14	-1
-172	14	-3.2
-170	14	-6.5
-168	14	-12
-166	14	-14.5
-164	14	-8.5
-162	14	-4.5
-160	14	-1.9
-158	14	-0.3
-156	14	0.9
-154	14	1.5
-152	14	1.9
-150	14	1.9
-148	14	1.6
-146	14	1.1
-144	14	0.4
-142	14	-0.6
-140	14	-1.8
-138	14	-3.3
-136	14	-4.7
-134	14	-6
-132	14	-6.6
-130	14	-6.3
-128	14	-5.5
-126	14	-4.5
-124	14	-3.4
-122	14	-2.6
-120	14	-1.9
-118	14	-1.3
-116	14	-0.8
-114	14	-0.4
-112	14	-0.2
-110	14	0.1
-108	14	0.2
-106	14	0.3
-104	14	0.4
-102	14	0.4
-100	14	0.4
-98	14	0.4
-96	14	0.4
-94	14	0.4
-92	14	0.4
-90	14	0.4
-88	14	0.4
-86	14	0.3
-84	14	0.3
-82	14	0.3
-80	14	0.3
-78	14	0.3
-76	14	0.4
-74	14	0.4
-72	14	0.4
-70	14	0.3
-68	14	0.3
-66	14	0.2
-64	14	0
-62	14	-0.3
-60	14	-0.7
-58	14	-1.2
-56	14	-1.9
-54	14	-2.7
-52	14	-3.8
-50	14	-4.9
-48	14	-5.9
-46	14	-6.3
-44	14	-5.7
-42	14	-4.4
-40	14	-2.9
-38	14	-1.6
-36	14	-0.5
-34	14	0.3
-32	14	0.8
-30	14	1
-28	14	0.9
-26	14	0.4
-24	14	-0.5
-22	14	-2
-20	14	-4.3
-18	14	-7.8
-16	14	-12.6
-14	14	-11.9
-12	14	-6.9
-10	14	-3.5
-8	14	-1.2
-6	14	0.3
-4	14	1.2
-2	14	1.7
0	14	1.7
2	14	1.3
4	14	0.5
6	14	-0.9
8	14	-3.1
10	14	-6.4
12	14	-11.6
14	14	-14.1
16	14	-8.5
18	14	-4.5
20	14	-2
22	14	-0.3
24	14	0.8
26	14	1.5
28	14	1.8
30	14	1.8
32	14	1.5
34	14	1
36	14	0.3
38	14	-0.7
40	14	-2
42	14	-3.4

44	14	-4.8
46	14	-6
48	14	-6.5
50	14	-6.2
52	14	-5.3
54	14	-4.3
56	14	-3.3
58	14	-2.5
60	14	-1.8
62	14	-1.3
64	14	-0.8
66	14	-0.5
68	14	-0.2
70	14	0
72	14	0.2
74	14	0.3
76	14	0.3
78	14	0.4
80	14	0.4
82	14	0.5
84	14	0.5
86	14	0.5
88	14	0.5
90	14	0.5
92	14	0.5
94	14	0.5
96	14	0.5
98	14	0.5
100	14	0.5
102	14	0.6
104	14	0.6
106	14	0.6
108	14	0.6
110	14	0.6
112	14	0.5
114	14	0.4
116	14	0.2
118	14	-0.1
120	14	-0.5
122	14	-1.1
124	14	-1.8
126	14	-2.7
128	14	-3.7
130	14	-4.9
132	14	-5.9
134	14	-6.2
136	14	-5.6
138	14	-4.3
140	14	-2.8
142	14	-1.5
144	14	-0.4
146	14	0.4
148	14	0.9
150	14	1.1
152	14	1
154	14	0.5
156	14	-0.5
158	14	-1.9
160	14	-4.2
162	14	-7.7
164	14	-12.8
166	14	-12.4
168	14	-7.2
170	14	-3.6
172	14	-1.3
174	14	0.2
176	14	1.2
178	14	1.7
180	14	1.7
-180	16	1.7
-178	16	1.2
-176	16	0.1
-174	16	-1.8
-172	16	-5
-170	16	-10.1
-168	16	-13.6
-166	16	-7.8
-164	16	-3.7
-162	16	-1.1
-160	16	0.5
-158	16	1.4
-156	16	1.9
-154	16	1.9
-152	16	1.5
-150	16	0.8
-148	16	-0.3
-146	16	-1.8
-144	16	-3.6
-142	16	-5.3
-140	16	-6.4
-138	16	-6
-136	16	-4.7
-134	16	-3.3
-132	16	-2
-130	16	-1.1
-128	16	-0.4
-126	16	0.1
-124	16	0.5
-122	16	0.7
-120	16	0.7
-118	16	0.7
-116	16	0.6
-114	16	0.4
-112	16	0.2
-110	16	0
-108	16	-0.2
-106	16	-0.5
-104	16	-0.7
-102	16	-1
-100	16	-1.2
-98	16	-1.5
-96	16	-1.7
-94	16	-1.8
-92	16	-2
-90	16	-2.1
-88	16	-2.2
-86	16	-2.3
-84	16	-2.3
-82	16	-2.3
-80	16	-2.3
-78	16	-2.2
-76	16	-2.1
-74	16	-1.9
-72	16	-1.6
-70	16	-1.3
-68	16	-0.9
-66	16	-0.5
-64	16	-0.1
-62	16	0.2
-60	16	0.5
-58	16	0.7
-56	16	0.7
-54	16	0.6
-52	16	0.3
-50	16	-0.3
-48	16	-1.1
-46	16	-2.3
-44	16	-3.8

-42	16	-5.4
-40	16	-6.5
-38	16	-6
-36	16	-4.3
-34	16	-2.4
-32	16	-0.9
-30	16	0.2
-28	16	0.8
-26	16	1
-24	16	0.7
-22	16	-0.1
-20	16	-1.5
-18	16	-3.9
-16	16	-7.9
-14	16	-13.4
-12	16	-10.3
-10	16	-5.2
-8	16	-2
-6	16	0
-4	16	1.2
-2	16	1.8
0	16	1.8
2	16	1.3
4	16	0.2
6	16	-1.7
8	16	-4.8
10	16	-9.9
12	16	-13.6
14	16	-8
16	16	-3.8
18	16	-1.2
20	16	0.4
22	16	1.3
24	16	1.8
26	16	1.8
28	16	1.4
30	16	0.7
32	16	-0.4
34	16	-1.9
36	16	-3.7
38	16	-5.4
40	16	-6.4
42	16	-5.9
44	16	-4.5
46	16	-3.1
48	16	-1.9
50	16	-0.9
52	16	-0.2
54	16	0.2
56	16	0.5
58	16	0.7
60	16	0.7
62	16	0.7
64	16	0.6
66	16	0.4
68	16	0.2
70	16	0
72	16	-0.3
74	16	-0.6
76	16	-0.8
78	16	-1.1
80	16	-1.4
82	16	-1.6
84	16	-1.8
86	16	-2
88	16	-2.2
90	16	-2.4
92	16	-2.5
94	16	-2.5
96	16	-2.6
98	16	-2.6
100	16	-2.5
102	16	-2.3
104	16	-2.1
106	16	-1.9
108	16	-1.5
110	16	-1.2
112	16	-0.8
114	16	-0.3
116	16	0
118	16	0.4
120	16	0.7
122	16	0.8
124	16	0.8
126	16	0.7
128	16	0.4
130	16	-0.2
132	16	-1
134	16	-2.2
136	16	-3.7
138	16	-5.3
140	16	-6.3
142	16	-5.8
144	16	-4.2
146	16	-2.4
148	16	-0.9
150	16	0.2
152	16	0.9
154	16	1.1
156	16	0.8
158	16	0.1
160	16	-1.4
162	16	-3.7
164	16	-7.7
166	16	-13.6
168	16	-11
170	16	-5.5
172	16	-2.2
174	16	-0.1
176	16	1.1
178	16	1.7
180	16	1.7
-180	18	1.7
-178	18	1.1
-176	18	-0.4
-174	18	-2.9
-172	18	-7.1
-170	18	-12.8
-168	18	-8.8
-166	18	-3.9
-164	18	-1.1
-162	18	0.7
-160	18	1.6
-158	18	1.9
-156	18	1.7
-154	18	0.9
-152	18	-0.3
-150	18	-2
-148	18	-4.1
-146	18	-5.7
-144	18	-5.6
-142	18	-4.1
-140	18	-2.3
-138	18	-1
-136	18	0
-134	18	0.7
-132	18	1.1
-130	18	1.2

-128	18	1.1
-126	18	0.9
-124	18	0.6
-122	18	0.2
-120	18	-0.2
-118	18	-0.7
-116	18	-1.2
-114	18	-1.6
-112	18	-1.9
-110	18	-2.2
-108	18	-2.3
-106	18	-2.4
-104	18	-2.4
-102	18	-2.4
-100	18	-2.3
-98	18	-2.1
-96	18	-2
-94	18	-1.9
-92	18	-1.8
-90	18	-1.7
-88	18	-1.7
-86	18	-1.7
-84	18	-1.8
-82	18	-1.9
-80	18	-2.1
-78	18	-2.3
-76	18	-2.6
-74	18	-3
-72	18	-3.4
-70	18	-3.8
-68	18	-4.2
-66	18	-4.3
-64	18	-4.2
-62	18	-3.7
-60	18	-2.9
-58	18	-2.1
-56	18	-1.2
-54	18	-0.4
-52	18	0.2
-50	18	0.6
-48	18	0.6
-46	18	0.4
-44	18	-0.1
-42	18	-1.1
-40	18	-2.6
-38	18	-4.4
-36	18	-6.1
-34	18	-6.2
-32	18	-4.3
-30	18	-2.3
-28	18	-0.6
-26	18	0.5
-24	18	0.9
-22	18	0.8
-20	18	0.1
-18	18	-1.5
-16	18	-4.3
-14	18	-9.2
-12	18	-14
-10	18	-7.7
-8	18	-3.1
-6	18	-0.5
-4	18	1
-2	18	1.8
0	18	1.8
2	18	1.1
4	18	-0.3
6	18	-2.9
8	18	-7.2
10	18	-13.2
12	18	-9
14	18	-4
16	18	-1.1
18	18	0.6
20	18	1.5
22	18	1.8
24	18	1.6
26	18	0.8
28	18	-0.4
30	18	-2.2
32	18	-4.3
34	18	-5.9
36	18	-5.8
38	18	-4.2
40	18	-2.4
42	18	-1
44	18	0
46	18	0.7
48	18	1.1
50	18	1.2
52	18	1.2
54	18	0.9
56	18	0.6
58	18	0.2
60	18	-0.2
62	18	-0.7
64	18	-1.1
66	18	-1.5
68	18	-1.8
70	18	-2
72	18	-2.1
74	18	-2.2
76	18	-2.2
78	18	-2.1
80	18	-2
82	18	-1.9
84	18	-1.9
86	18	-1.8
88	18	-1.8
90	18	-1.7
92	18	-1.8
94	18	-1.8
96	18	-1.9
98	18	-2.1
100	18	-2.3
102	18	-2.6
104	18	-2.9
106	18	-3.3
108	18	-3.7
110	18	-4.1
112	18	-4.4
114	18	-4.5
116	18	-4.2
118	18	-3.7
120	18	-2.9
122	18	-2
124	18	-1.1
126	18	-0.3
128	18	0.2
130	18	0.6
132	18	0.7
134	18	0.4
136	18	-0.1
138	18	-1.1
140	18	-2.6
142	18	-4.5
144	18	-6.2
146	18	-6.3

148	18	-4.5
150	18	-2.3
152	18	-0.7
154	18	0.5
156	18	1
158	18	0.9
160	18	0.2
162	18	-1.3
164	18	-4
166	18	-8.8
168	18	-14.7
170	18	-8.3
172	18	-3.5
174	18	-0.7
176	18	0.9
178	18	1.7
180	18	1.7
-180	20	1.7
-178	20	0.9
-176	20	-0.8
-174	20	-4.1
-172	20	-9.8
-170	20	-11.5
-168	20	-5.3
-166	20	-1.7
-164	20	0.4
-162	20	1.5
-160	20	1.7
-158	20	1.4
-156	20	0.3
-154	20	-1.4
-152	20	-3.5
-150	20	-5.3
-148	20	-5.1
-146	20	-3.2
-144	20	-1.4
-142	20	0
-140	20	0.9
-138	20	1.4
-136	20	1.5
-134	20	1.4
-132	20	1
-130	20	0.5
-128	20	0
-126	20	-0.6
-124	20	-1.1
-122	20	-1.4
-120	20	-1.6
-118	20	-1.6
-116	20	-1.4
-114	20	-1.2
-112	20	-0.9
-110	20	-0.6
-108	20	-0.3
-106	20	0
-104	20	0.2
-102	20	0.4
-100	20	0.5
-98	20	0.6
-96	20	0.7
-94	20	0.8
-92	20	0.8
-90	20	0.8
-88	20	0.8
-86	20	0.9
-84	20	0.9
-82	20	0.9
-80	20	0.9
-78	20	0.9
-76	20	0.9
-74	20	0.8
-72	20	0.7
-70	20	0.5
-68	20	0.1
-66	20	-0.3
-64	20	-1
-62	20	-1.7
-60	20	-2.7
-58	20	-3.6
-56	20	-4.1
-54	20	-4.1
-52	20	-3.3
-50	20	-2.2
-48	20	-1.1
-46	20	-0.3
-44	20	0.2
-42	20	0.3
-40	20	-0.1
-38	20	-1
-36	20	-2.5
-34	20	-4.7
-32	20	-6.5
-30	20	-5.9
-28	20	-3.5
-26	20	-1.3
-24	20	0.1
-22	20	0.9
-20	20	0.8
-18	20	0
-16	20	-1.9
-14	20	-5.4
-12	20	-12.2
-10	20	-11.4
-8	20	-4.8
-6	20	-1.2
-4	20	0.8
-2	20	1.7
0	20	1.7
2	20	0.9
4	20	-0.9
6	20	-4.3
8	20	-10.3
10	20	-11.7
12	20	-5.3
14	20	-1.6
16	20	0.4
18	20	1.4
20	20	1.7
22	20	1.3
24	20	0.2
26	20	-1.5
28	20	-3.8
30	20	-5.7
32	20	-5.5
34	20	-3.5
36	20	-1.6
38	20	-0.2
40	20	0.8
42	20	1.2
44	20	1.4
46	20	1.3
48	20	0.9
50	20	0.4
52	20	-0.2
54	20	-0.9
56	20	-1.4
58	20	-1.8
60	20	-1.9

62	20	-1.8
64	20	-1.5
66	20	-1.2
68	20	-0.8
70	20	-0.4
72	20	-0.1
74	20	0.2
76	20	0.4
78	20	0.6
80	20	0.7
82	20	0.8
84	20	0.8
86	20	0.9
88	20	0.9
90	20	0.9
92	20	1
94	20	1
96	20	1
98	20	1
100	20	1
102	20	1
104	20	0.9
106	20	0.8
108	20	0.6
110	20	0.4
112	20	0
114	20	-0.5
116	20	-1.1
118	20	-1.9
120	20	-2.8
122	20	-3.7
124	20	-4.3
126	20	-4.2
128	20	-3.4
130	20	-2.3
132	20	-1.2
134	20	-0.4
136	20	0.2
138	20	0.3
140	20	-0.1
142	20	-1
144	20	-2.6
146	20	-4.8
148	20	-6.9
150	20	-6.5
152	20	-3.9
154	20	-1.5
156	20	0.1
158	20	0.9
160	20	0.9
162	20	0.1
164	20	-1.7
166	20	-5.1
168	20	-11.7
170	20	-12.3
172	20	-5.1
174	20	-1.4
176	20	0.7
178	20	1.6
180	20	1.7
-180	22	1.8
-178	22	0.9
-176	22	-1.3
-174	22	-5.5
-172	22	-12.9
-170	22	-8.5
-168	22	-3
-166	22	-0.2
-164	22	1.2
-162	22	1.6
-160	22	1.2
-158	22	-0.1
-156	22	-2.1
-154	22	-4.6
-152	22	-5.7
-150	22	-4
-148	22	-1.7
-146	22	-0.1
-144	22	0.9
-142	22	1.4
-140	22	1.4
-138	22	1.1
-136	22	0.5
-134	22	-0.2
-132	22	-0.9
-130	22	-1.3
-128	22	-1.5
-126	22	-1.3
-124	22	-1
-122	22	-0.6
-120	22	-0.2
-118	22	0.2
-116	22	0.4
-114	22	0.6
-112	22	0.7
-110	22	0.7
-108	22	0.7
-106	22	0.5
-104	22	0.3
-102	22	0
-100	22	-0.4
-98	22	-0.8
-96	22	-1.2
-94	22	-1.6
-92	22	-2
-90	22	-2.3
-88	22	-2.5
-86	22	-2.5
-84	22	-2.5
-82	22	-2.3
-80	22	-2
-78	22	-1.5
-76	22	-1.1
-74	22	-0.6
-72	22	0
-70	22	0.4
-68	22	0.9
-66	22	1.2
-64	22	1.4
-62	22	1.4
-60	22	1.2
-58	22	0.8
-56	22	0.1
-54	22	-0.9
-52	22	-2.1
-50	22	-3.3
-48	22	-3.8
-46	22	-3.2
-44	22	-1.9
-42	22	-0.8
-40	22	0
-38	22	0.2
-36	22	-0.2
-34	22	-1.4
-32	22	-3.5
-30	22	-6.4
-28	22	-7.4
-26	22	-4.7

-24	22	-1.8
-22	22	0.1
-20	22	0.9
-18	22	0.8
-16	22	-0.3
-14	22	-2.8
-12	22	-8.1
-10	22	-16.1
-8	22	-6.8
-6	22	-1.9
-4	22	0.6
-2	22	1.7
0	22	1.8
2	22	0.8
4	22	-1.5
6	22	-5.9
8	22	-13.6
10	22	-8.1
12	22	-2.8
14	22	0
16	22	1.3
18	22	1.6
20	22	1.1
22	22	-0.2
24	22	-2.4
26	22	-5
28	22	-6
30	22	-4.1
32	22	-1.8
34	22	-0.1
36	22	0.9
38	22	1.4
40	22	1.4
42	22	1
44	22	0.4
46	22	-0.3
48	22	-1.1
50	22	-1.6
52	22	-1.8
54	22	-1.6
56	22	-1.3
58	22	-0.8
60	22	-0.3
62	22	0.1
64	22	0.4
66	22	0.6
68	22	0.8
70	22	0.8
72	22	0.7
74	22	0.6
76	22	0.3
78	22	0
80	22	-0.4
82	22	-0.8
84	22	-1.3
86	22	-1.7
88	22	-2.1
90	22	-2.4
92	22	-2.5
94	22	-2.6
96	22	-2.5
98	22	-2.3
100	22	-1.9
102	22	-1.5
104	22	-1.1
106	22	-0.6
108	22	-0.1
110	22	0.3
112	22	0.7
114	22	1
116	22	1.2
118	22	1.2
120	22	1.1
122	22	0.7
124	22	0
126	22	-1
128	22	-2.2
130	22	-3.5
132	22	-4
134	22	-3.4
136	22	-2.1
138	22	-0.9
140	22	0
142	22	0.3
144	22	-0.1
146	22	-1.3
148	22	-3.4
150	22	-6.6
152	22	-8.2
154	22	-5.1
156	22	-2
158	22	0
160	22	1
162	22	1
164	22	0
166	22	-2.5
168	22	-7.5
170	22	-16.5
172	22	-7.3
174	22	-2.1
176	22	0.5
178	22	1.7
180	22	1.8
-180	24	2
-178	24	0.9
-176	24	-1.8
-174	24	-7.5
-172	24	-14.4
-170	24	-5.5
-168	24	-1.1
-166	24	1
-164	24	1.7
-162	24	1.4
-160	24	0
-158	24	-2.3
-156	24	-5.2
-154	24	-5.7
-152	24	-3.2
-150	24	-0.9
-148	24	0.6
-146	24	1.2
-144	24	1.3
-142	24	0.8
-140	24	0
-138	24	-1
-136	24	-1.7
-134	24	-1.9
-132	24	-1.6
-130	24	-1
-128	24	-0.4
-126	24	0.1
-124	24	0.5
-122	24	0.7
-120	24	0.8
-118	24	0.8
-116	24	0.8
-114	24	0.7
-112	24	0.6

-110	24	0.4
-108	24	0.2
-106	24	0
-104	24	-0.3
-102	24	-0.5
-100	24	-0.8
-98	24	-0.9
-96	24	-1
-94	24	-1
-92	24	-1
-90	24	-1.1
-88	24	-1.1
-86	24	-1.3
-84	24	-1.5
-82	24	-1.7
-80	24	-2.1
-78	24	-2.5
-76	24	-2.9
-74	24	-3.3
-72	24	-3.6
-70	24	-3.6
-68	24	-3.2
-66	24	-2.4
-64	24	-1.4
-62	24	-0.3
-60	24	0.6
-58	24	1.2
-56	24	1.6
-54	24	1.6
-52	24	1.1
-50	24	0.2
-48	24	-1.1
-46	24	-2.8
-44	24	-3.8
-42	24	-3.2
-40	24	-1.6
-38	24	-0.2
-36	24	0.5
-34	24	0.5
-32	24	-0.4
-30	24	-2.6
-28	24	-6.3
-26	24	-8.9
-24	24	-5.1
-22	24	-1.5
-20	24	0.5
-18	24	1.3
-16	24	0.9
-14	24	-0.9
-12	24	-4.9
-10	24	-14.8
-8	24	-9.2
-6	24	-2.5
-4	24	0.6
-2	24	1.9
0	24	2
2	24	0.8
4	24	-2
6	24	-7.9
8	24	-14
10	24	-5.1
12	24	-0.9
14	24	1.1
16	24	1.8
18	24	1.4
20	24	0
22	24	-2.5
24	24	-5.6
26	24	-5.9
28	24	-3.1
30	24	-0.7
32	24	0.8
34	24	1.4
36	24	1.5
38	24	1
40	24	0.1
42	24	-0.9
44	24	-1.7
46	24	-1.9
48	24	-1.6
50	24	-1
52	24	-0.4
54	24	0.2
56	24	0.5
58	24	0.8
60	24	0.9
62	24	1
64	24	0.9
66	24	0.8
68	24	0.7
70	24	0.5
72	24	0.2
74	24	-0.1
76	24	-0.3
78	24	-0.5
80	24	-0.7
82	24	-0.7
84	24	-0.7
86	24	-0.7
88	24	-0.7
90	24	-0.8
92	24	-0.9
94	24	-1.1
96	24	-1.4
98	24	-1.8
100	24	-2.2
102	24	-2.6
104	24	-3.1
106	24	-3.5
108	24	-3.8
110	24	-3.8
112	24	-3.4
114	24	-2.6
116	24	-1.6
118	24	-0.5
120	24	0.5
122	24	1.2
124	24	1.6
126	24	1.6
128	24	1.2
130	24	0.3
132	24	-1.1
134	24	-2.8
136	24	-4
138	24	-3.4
140	24	-1.6
142	24	-0.1
144	24	0.7
146	24	0.7
148	24	-0.3
150	24	-2.5
152	24	-6.4
154	24	-9.7
156	24	-5.3
158	24	-1.5
160	24	0.7
162	24	1.5
164	24	1.1

166	24	-0.6
168	24	-4.4
170	24	-14
172	24	-9.8
174	24	-2.7
176	24	0.5
178	24	1.9
180	24	2
-180	26	2.3
-178	26	0.9
-176	26	-2.5
-174	26	-10.4
-172	26	-10.6
-170	26	-2.8
-168	26	0.6
-166	26	1.9
-164	26	2
-162	26	0.8
-160	26	-1.5
-158	26	-4.9
-156	26	-5.9
-154	26	-3
-152	26	-0.5
-150	26	0.9
-148	26	1.4
-146	26	1.1
-144	26	0.2
-142	26	-1
-140	26	-2
-138	26	-2.2
-136	26	-1.5
-134	26	-0.6
-132	26	0.2
-130	26	0.7
-128	26	0.9
-126	26	1
-124	26	0.9
-122	26	0.7
-120	26	0.6
-118	26	0.5
-116	26	0.4
-114	26	0.4
-112	26	0.4
-110	26	0.4
-108	26	0.5
-106	26	0.6
-104	26	0.9
-102	26	1.1
-100	26	1.5
-98	26	1.8
-96	26	2.1
-94	26	2.4
-92	26	2.6
-90	26	2.7
-88	26	2.8
-86	26	2.8
-84	26	2.8
-82	26	2.8
-80	26	2.6
-78	26	2.5
-76	26	2.3
-74	26	1.9
-72	26	1.5
-70	26	0.8
-68	26	-0.1
-66	26	-1.3
-64	26	-2.6
-62	26	-3.5
-60	26	-3.5
-58	26	-2.3
-56	26	-0.7
-54	26	0.5
-52	26	1.3
-50	26	1.5
-48	26	1.1
-46	26	0.1
-44	26	-1.7
-42	26	-3.5
-40	26	-3.7
-38	26	-1.9
-36	26	-0.1
-34	26	1
-32	26	1.2
-30	26	0.2
-28	26	-2.2
-26	26	-6.7
-24	26	-9
-22	26	-3.8
-20	26	-0.2
-18	26	1.5
-16	26	1.8
-14	26	0.7
-12	26	-2.4
-10	26	-9.9
-8	26	-11.9
-6	26	-2.9
-4	26	0.7
-2	26	2.3
0	26	2.3
2	26	0.9
4	26	-2.6
6	26	-10.6
8	26	-10.4
10	26	-2.6
12	26	0.7
14	26	2
16	26	2
18	26	0.9
20	26	-1.6
22	26	-5.2
24	26	-6.1
26	26	-2.9
28	26	-0.3
30	26	1.1
32	26	1.6
34	26	1.3
36	26	0.4
38	26	-0.9
40	26	-2.1
42	26	-2.4
44	26	-1.7
46	26	-0.7
48	26	0.2
50	26	0.7
52	26	1
54	26	1
56	26	0.9
58	26	0.7
60	26	0.6
62	26	0.5
64	26	0.4
66	26	0.3
68	26	0.3
70	26	0.4
72	26	0.5
74	26	0.7
76	26	0.9
78	26	1.2

80	26	1.6
82	26	2
84	26	2.3
86	26	2.6
88	26	2.8
90	26	2.9
92	26	3
94	26	3
96	26	2.9
98	26	2.8
100	26	2.6
102	26	2.4
104	26	2.2
106	26	1.9
108	26	1.4
110	26	0.8
112	26	-0.1
114	26	-1.3
116	26	-2.7
118	26	-3.7
120	26	-3.7
122	26	-2.4
124	26	-0.8
126	26	0.5
128	26	1.4
130	26	1.6
132	26	1.2
134	26	0.1
136	26	-1.7
138	26	-3.6
140	26	-3.7
142	26	-1.8
144	26	0.2
146	26	1.3
148	26	1.4
150	26	0.4
152	26	-2
154	26	-6.7
156	26	-9.4
158	26	-3.8
160	26	-0.1
162	26	1.6
164	26	1.9
166	26	0.8
168	26	-2.2
170	26	-9.6
172	26	-12.6
174	26	-3.1
176	26	0.7
178	26	2.2
180	26	2.3
-180	28	2.4
-178	28	0.7
-176	28	-3.6
-174	28	-14.5
-172	28	-6.5
-170	28	-0.7
-168	28	1.8
-166	28	2.5
-164	28	1.8
-162	28	-0.2
-160	28	-3.7
-158	28	-6
-156	28	-3.2
-154	28	-0.4
-152	28	1.1
-150	28	1.6
-148	28	1.1
-146	28	0
-144	28	-1.4
-142	28	-2.2
-140	28	-1.7
-138	28	-0.6
-136	28	0.4
-134	28	1
-132	28	1.2
-130	28	1.2
-128	28	0.9
-126	28	0.6
-124	28	0.3
-122	28	0.2
-120	28	0.2
-118	28	0.2
-116	28	0.2
-114	28	0.2
-112	28	0.1
-110	28	0
-108	28	-0.1
-106	28	-0.2
-104	28	-0.3
-102	28	-0.4
-100	28	-0.5
-98	28	-0.7
-96	28	-0.8
-94	28	-1
-92	28	-1.1
-90	28	-1.2
-88	28	-1.2
-86	28	-1.2
-84	28	-1
-82	28	-0.6
-80	28	-0.1
-78	28	0.5
-76	28	1.1
-74	28	1.8
-72	28	2.3
-70	28	2.6
-68	28	2.8
-66	28	2.6
-64	28	2.1
-62	28	1.2
-60	28	-0.1
-58	28	-1.5
-56	28	-2.3
-54	28	-1.8
-52	28	-0.5
-50	28	0.8
-48	28	1.5
-46	28	1.5
-44	28	0.7
-42	28	-0.8
-40	28	-2.9
-38	28	-3.7
-36	28	-1.9
-34	28	0.2
-32	28	1.4
-30	28	1.5
-28	28	0.4
-26	28	-2.5
-24	28	-7.4
-22	28	-6.7
-20	28	-1.7
-18	28	1.1
-16	28	2.2
-14	28	1.6
-12	28	-0.7
-10	28	-6.4
-8	28	-14.2

-6	28	-3.6
-4	28	0.7
-2	28	2.4
0	28	2.4
2	28	0.7
4	28	-3.6
6	28	-14.9
8	28	-6.6
10	28	-0.7
12	28	1.8
14	28	2.5
16	28	1.8
18	28	-0.3
20	28	-3.9
22	28	-6.4
24	28	-3.4
26	28	-0.4
28	28	1.1
30	28	1.6
32	28	1.1
34	28	-0.1
36	28	-1.7
38	28	-2.7
40	28	-2.2
42	28	-0.9
44	28	0.3
46	28	1
48	28	1.2
50	28	1.1
52	28	0.8
54	28	0.5
56	28	0.2
58	28	0
60	28	0.1
62	28	0.2
64	28	0.2
66	28	0.3
68	28	0.2
70	28	0.1
72	28	0
74	28	-0.1
76	28	-0.2
78	28	-0.3
80	28	-0.5
82	28	-0.6
84	28	-0.7
86	28	-0.9
88	28	-1
90	28	-1.1
92	28	-1.2
94	28	-1.1
96	28	-0.9
98	28	-0.6
100	28	-0.2
102	28	0.4
104	28	1
106	28	1.6
108	28	2.2
110	28	2.5
112	28	2.7
114	28	2.5
116	28	2
118	28	1.1
120	28	-0.2
122	28	-1.7
124	28	-2.7
126	28	-2.3
128	28	-0.8
130	28	0.5
132	28	1.3
134	28	1.4
136	28	0.7
138	28	-0.9
140	28	-3
142	28	-3.7
144	28	-1.7
146	28	0.4
148	28	1.7
150	28	1.8
152	28	0.6
154	28	-2.2
156	28	-7.2
158	28	-6.6
160	28	-1.6
162	28	1.3
164	28	2.3
166	28	1.8
168	28	-0.6
170	28	-6.4
172	28	-15.2
174	28	-3.7
176	28	0.7
178	28	2.4
180	28	2.4
-180	30	2.2
-178	30	0.1
-176	30	-5.3
-174	30	-15.1
-172	30	-3.7
-170	30	0.7
-168	30	2.4
-166	30	2.4
-164	30	0.8
-162	30	-2.4
-160	30	-5.8
-158	30	-3.7
-156	30	-0.4
-154	30	1.3
-152	30	1.8
-150	30	1.2
-148	30	-0.1
-146	30	-1.4
-144	30	-1.8
-142	30	-0.9
-140	30	0.3
-138	30	1.1
-136	30	1.4
-134	30	1.3
-132	30	1
-130	30	0.5
-128	30	0.1
-126	30	-0.2
-124	30	-0.2
-122	30	-0.2
-120	30	-0.1
-118	30	-0.1
-116	30	-0.2
-114	30	-0.3
-112	30	-0.5
-110	30	-0.7
-108	30	-0.8
-106	30	-0.9
-104	30	-1
-102	30	-0.9
-100	30	-0.7
-98	30	-0.5
-96	30	-0.2
-94	30	0

-92	30	0.1
-90	30	0
-88	30	-0.1
-86	30	-0.5
-84	30	-1.1
-82	30	-2
-80	30	-3.2
-78	30	-4.5
-76	30	-5.4
-74	30	-5.2
-72	30	-3.7
-70	30	-1.9
-68	30	-0.3
-66	30	1
-64	30	1.8
-62	30	2.2
-60	30	2.1
-58	30	1.6
-56	30	0.6
-54	30	-0.6
-52	30	-1.4
-50	30	-1
-48	30	0.2
-46	30	1.2
-44	30	1.6
-42	30	1.2
-40	30	-0.1
-38	30	-2.2
-36	30	-3.6
-34	30	-2.1
-32	30	0.1
-30	30	1.5
-28	30	1.5
-26	30	0.2
-24	30	-3.1
-22	30	-7.3
-20	30	-4.1
-18	30	-0.1
-16	30	1.9
-14	30	2.1
-12	30	0.4
-10	30	-4.1
-8	30	-14.2
-6	30	-4.8
-4	30	0.2
-2	30	2.1
0	30	2.1
2	30	0
4	30	-5.4
6	30	-1.6
8	30	-3.9
10	30	0.6
12	30	2.3
14	30	2.3
16	30	0.7
18	30	-2.6
20	30	-6.1
22	30	-3.8
24	30	-0.5
26	30	1.2
28	30	1.7
30	30	1.1
32	30	-0.2
34	30	-1.6
36	30	-2
38	30	-1.1
40	30	0.2
42	30	1.1
44	30	1.5
46	30	1.4
48	30	1
50	30	0.5
52	30	0
54	30	-0.3
56	30	-0.3
58	30	-0.2
60	30	-0.1
62	30	0
64	30	-0.1
66	30	-0.2
68	30	-0.5
70	30	-0.7
72	30	-0.9
74	30	-1
76	30	-0.9
78	30	-0.8
80	30	-0.5
82	30	-0.3
84	30	0
86	30	0.2
88	30	0.3
90	30	0.3
92	30	0.1
94	30	-0.3
96	30	-1
98	30	-1.9
100	30	-3
102	30	-4.4
104	30	-5.5
106	30	-5.5
108	30	-4.1
110	30	-2.2
112	30	-0.5
114	30	0.9
116	30	1.8
118	30	2.3
120	30	2.3
122	30	1.7
124	30	0.7
126	30	-0.7
128	30	-1.7
130	30	-1.3
132	30	0
134	30	1.1
136	30	1.6
138	30	1.3
140	30	0
142	30	-2.3
144	30	-3.7
146	30	-2.1
148	30	0.3
150	30	1.7
152	30	1.8
154	30	0.4
156	30	-2.8
158	30	-7
160	30	-3.9
162	30	0.1
164	30	2
166	30	2.2
168	30	0.5
170	30	-4.1
172	30	-14.7
174	30	-4.6
176	30	0.4
178	30	2.2
180	30	2.2
-180	32	1.7

-178	32	-0.8
-176	32	-7.9
-174	32	-10.7
-172	32	-1.8
-170	32	1.5
-168	32	2.4
-166	32	1.5
-164	32	-1.3
-162	32	-5.5
-160	32	-4.3
-158	32	-0.6
-156	32	1.4
-154	32	2
-152	32	1.4
-150	32	0
-148	32	-1.3
-146	32	-1.2
-144	32	0
-142	32	1.1
-140	32	1.7
-138	32	1.7
-136	32	1.3
-134	32	0.8
-132	32	0.4
-130	32	0.2
-128	32	0.2
-126	32	0.3
-124	32	0.3
-122	32	0.2
-120	32	0.2
-118	32	0.2
-116	32	0.2
-114	32	0.3
-112	32	0.4
-110	32	0.6
-108	32	0.8
-106	32	1.1
-104	32	1.6
-102	32	2.1
-100	32	2.7
-98	32	3.2
-96	32	3.7
-94	32	4.2
-92	32	4.5
-90	32	4.7
-88	32	4.9
-86	32	4.9
-84	32	4.8
-82	32	4.5
-80	32	4.2
-78	32	3.6
-76	32	2.9
-74	32	1.8
-72	32	0.4
-70	32	-1.4
-68	32	-3.4
-66	32	-4.6
-64	32	-3.6
-62	32	-1.6
-60	32	0.2
-58	32	1.4
-56	32	1.8
-54	32	1.6
-52	32	0.7
-50	32	-0.5
-48	32	-1.1
-46	32	-0.4
-44	32	1
-42	32	1.9
-40	32	1.9
-38	32	0.8
-36	32	-1.4
-34	32	-3.6
-32	32	-2.4
-30	32	0.1
-28	32	1.6
-26	32	1.5
-24	32	-0.2
-22	32	-4.2
-20	32	-6.8
-18	32	-2.1
-16	32	1
-14	32	2
-12	32	1
-10	32	-2.6
-8	32	-12.3
-6	32	-6.2
-4	32	-0.3
-2	32	1.8
0	32	1.6
2	32	-1
4	32	-8
6	32	-10.9
8	32	-1.9
10	32	1.4
12	32	2.2
14	32	1.3
16	32	-1.6
18	32	-5.8
20	32	-4.4
22	32	-0.6
24	32	1.4
26	32	1.9
28	32	1.3
30	32	-0.1
32	32	-1.5
34	32	-1.3
36	32	-0.1
38	32	1.1
40	32	1.7
42	32	1.8
44	32	1.4
46	32	0.9
48	32	0.4
50	32	0.1
52	32	0.1
54	32	0.2
56	32	0.3
58	32	0.3
60	32	0.3
62	32	0.3
64	32	0.3
66	32	0.3
68	32	0.4
70	32	0.6
72	32	0.8
74	32	1.2
76	32	1.6
78	32	2.1
80	32	2.7
82	32	3.2
84	32	3.7
86	32	4.2
88	32	4.6
90	32	4.8
92	32	5
94	32	5
96	32	4.9

98	32	4.6
100	32	4.3
102	32	3.7
104	32	3
106	32	2
108	32	0.6
110	32	-1.2
112	32	-3.3
114	32	-4.6
116	32	-3.5
118	32	-1.3
120	32	0.6
122	32	1.7
124	32	2.1
126	32	1.8
128	32	0.7
130	32	-0.7
132	32	-1.3
134	32	-0.3
136	32	1.2
138	32	2.2
140	32	2.2
142	32	1
144	32	-1.3
146	32	-3.7
148	32	-2.4
150	32	0.3
152	32	1.8
154	32	1.7
156	32	-0.1
158	32	-4.1
160	32	-6.9
162	32	-2.1
164	32	1.1
166	32	2
168	32	1
170	32	-2.7
172	32	-12.7
174	32	-6
176	32	-0.2
178	32	1.9
180	32	1.7
-180	34	1.5
-178	34	-1.6
-176	34	-10.5
-174	34	-7.4
-172	34	-0.5
-170	34	1.9
-168	34	2
-166	34	-0.1
-164	34	-4.6
-162	34	-6.3
-160	34	-1.4
-158	34	1.3
-156	34	2.2
-154	34	1.5
-152	34	-0.3
-150	34	-2.1
-148	34	-1.7
-146	34	0
-144	34	1.4
-142	34	1.8
-140	34	1.5
-138	34	0.9
-136	34	0.2
-134	34	0.1
-132	34	0.4
-130	34	0.7
-128	34	0.9
-126	34	0.8
-124	34	0.6
-122	34	0.5
-120	34	0.7
-118	34	1
-116	34	1.3
-114	34	1.6
-112	34	1.7
-110	34	1.8
-108	34	1.7
-106	34	1.6
-104	34	1.5
-102	34	1.3
-100	34	1.2
-98	34	1
-96	34	0.9
-94	34	0.8
-92	34	0.8
-90	34	0.9
-88	34	1.1
-86	34	1.5
-84	34	1.9
-82	34	2.5
-80	34	3
-78	34	3.6
-76	34	4
-74	34	4.3
-72	34	4.4
-70	34	4.1
-68	34	3.4
-66	34	2.1
-64	34	0.3
-62	34	-1.7
-60	34	-2.3
-58	34	-0.9
-56	34	0.9
-54	34	2
-52	34	2.2
-50	34	1.6
-48	34	0.3
-46	34	-1
-44	34	-0.6
-42	34	1
-40	34	2.1
-38	34	2.3
-36	34	1.1
-34	34	-1.5
-32	34	-3.8
-30	34	-1.9
-28	34	0.8
-26	34	1.9
-24	34	1.2
-22	34	-1.8
-20	34	-7.3
-18	34	-4.6
-16	34	0.1
-14	34	1.9
-12	34	1.5
-10	34	-1.6
-8	34	-11
-6	34	-7.1
-4	34	-0.4
-2	34	1.8
0	34	1.5
2	34	-1.6
4	34	-10.8
6	34	-7.3
8	34	-0.4
10	34	2

12	34	2
14	34	-0.1
16	34	-4.8
18	34	-6.3
20	34	-1.4
22	34	1.4
24	34	2.2
26	34	1.5
28	34	-0.4
30	34	-2.2
32	34	-1.8
34	34	0.1
36	34	1.4
38	34	1.8
40	34	1.6
42	34	0.8
44	34	0.1
46	34	-0.1
48	34	0.1
50	34	0.5
52	34	0.7
54	34	0.8
56	34	0.7
58	34	0.7
60	34	0.8
62	34	1.1
64	34	1.5
66	34	1.8
68	34	1.9
70	34	2
72	34	1.9
74	34	1.7
76	34	1.5
78	34	1.3
80	34	1.1
82	34	0.9
84	34	0.7
86	34	0.7
88	34	0.7
90	34	0.9
92	34	1.1
94	34	1.5
96	34	1.9
98	34	2.5
100	34	3
102	34	3.6
104	34	4.1
106	34	4.4
108	34	4.5
110	34	4.2
112	34	3.4
114	34	2.1
116	34	0.2
118	34	-1.8
120	34	-2.2
122	34	-0.6
124	34	1.1
126	34	2.2
128	34	2.3
130	34	1.5
132	34	-0.1
134	34	-1.3
136	34	-0.6
138	34	1.1
140	34	2.3
142	34	2.4
144	34	1.2
146	34	-1.5
148	34	-3.9
150	34	-1.8
152	34	0.9
154	34	2
156	34	1.3
158	34	-1.6
160	34	-7.5
162	34	-5
164	34	-0.1
166	34	1.8
168	34	1.4
170	34	-1.7
172	34	-11.2
174	34	-7.2
176	34	-0.4
178	34	1.8
180	34	1.5
-180	36	1.7
-178	36	-1.8
-176	36	-12.8
-174	36	-5
-172	36	0.7
-170	36	2.4
-168	36	1.7
-166	36	-1.6
-164	36	-7.7
-162	36	-3.9
-160	36	0.6
-158	36	2.2
-156	36	2
-154	36	0.1
-152	36	-2.7
-150	36	-2.9
-148	36	-0.4
-146	36	1.4
-144	36	2
-142	36	1.7
-140	36	0.7
-138	36	-0.1
-136	36	-0.1
-134	36	0.5
-132	36	1
-130	36	1.3
-128	36	1.1
-126	36	0.8
-124	36	0.6
-122	36	0.8
-120	36	1.1
-118	36	1.5
-116	36	1.8
-114	36	1.8
-112	36	1.6
-110	36	1.2
-108	36	0.7
-106	36	0.2
-104	36	-0.2
-102	36	-0.4
-100	36	-0.5
-98	36	-0.5
-96	36	-0.5
-94	36	-0.5
-92	36	-0.6
-90	36	-0.9
-88	36	-1.3
-86	36	-2.1
-84	36	-3.2
-82	36	-4.6
-80	36	-5.6
-78	36	-4.9
-76	36	-2.7

-74	36	-0.3
-72	36	1.7
-70	36	3
-68	36	3.7
-66	36	3.9
-64	36	3.4
-62	36	2.2
-60	36	0.4
-58	36	-1.3
-56	36	-1.4
-54	36	0
-52	36	1.3
-50	36	1.8
-48	36	1.4
-46	36	0
-44	36	-1.5
-42	36	-1.3
-40	36	0.4
-38	36	1.7
-36	36	1.6
-34	36	0.1
-32	36	-3
-30	36	-3.9
-28	36	-0.8
-26	36	1.4
-24	36	1.6
-22	36	-0.4
-20	36	-6
-18	36	-7.2
-16	36	-0.7
-14	36	2
-12	36	2
-10	36	-0.7
-8	36	-9.7
-6	36	-7.5
-4	36	0
-2	36	2.3
0	36	1.8
2	36	-1.8
4	36	-12.9
6	36	-4.8
8	36	0.8
10	36	2.5
12	36	1.8
14	36	-1.6
16	36	-7.7
18	36	-3.8
20	36	0.7
22	36	2.3
24	36	2
26	36	0.1
28	36	-2.7
30	36	-2.8
32	36	-0.3
34	36	1.5
36	36	2
38	36	1.6
40	36	0.6
42	36	-0.3
44	36	-0.4
46	36	0.3
48	36	0.9
50	36	1.2
52	36	1.1
54	36	0.9
56	36	0.8
58	36	0.9
60	36	1.3
62	36	1.7
64	36	2
66	36	2
68	36	1.9
70	36	1.5
72	36	1
74	36	0.4
76	36	0
78	36	-0.2
80	36	-0.3
82	36	-0.3
84	36	-0.3
86	36	-0.3
88	36	-0.4
90	36	-0.7
92	36	-1.2
94	36	-1.9
96	36	-3.1
98	36	-4.5
100	36	-5.7
102	36	-5.1
104	36	-2.8
106	36	-0.3
108	36	1.7
110	36	3
112	36	3.8
114	36	3.9
116	36	3.3
118	36	2.1
120	36	0.3
122	36	-1.4
124	36	-1.3
126	36	0.2
128	36	1.5
130	36	2
132	36	1.4
134	36	-0.1
136	36	-1.7
138	36	-1.4
140	36	0.4
142	36	1.7
144	36	1.7
146	36	0.1
148	36	-3
150	36	-4
152	36	-0.8
154	36	1.4
156	36	1.7
158	36	-0.3
160	36	-5.9
162	36	-7.8
164	36	-1
166	36	1.8
168	36	1.9
170	36	-0.9
172	36	-9.9
174	36	-7.8
176	36	-0.2
178	36	2.2
180	36	1.7
-180	38	1.8
-178	38	-2.2
-176	38	-13.7
-174	38	-3.2
-172	38	1.5
-170	38	2.7
-168	38	1.2
-166	38	-3.3
-164	38	-7.4
-162	38	-1.4

-160	38	1.7
-158	38	2.3
-156	38	1
-154	38	-1.9
-152	38	-3.4
-150	38	-0.9
-148	38	1.4
-146	38	2.3
-144	38	2.1
-142	38	1.2
-140	38	0.2
-138	38	0
-136	38	0.6
-134	38	1.2
-132	38	1.5
-130	38	1.5
-128	38	1.3
-126	38	1.2
-124	38	1.2
-122	38	1.4
-120	38	1.6
-118	38	1.7
-116	38	1.6
-114	38	1.4
-112	38	1
-110	38	0.9
-108	38	0.9
-106	38	1.3
-104	38	2
-102	38	2.8
-100	38	3.6
-98	38	4.3
-96	38	4.9
-94	38	5.5
-92	38	5.9
-90	38	6.2
-88	38	6.3
-86	38	6.2
-84	38	6
-82	38	5.5
-80	38	4.7
-78	38	3.6
-76	38	2
-74	38	-0.1
-72	38	-2
-70	38	-2.3
-68	38	-0.7
-66	38	1.1
-64	38	2.4
-62	38	2.9
-60	38	2.6
-58	38	1.5
-56	38	-0.2
-54	38	-1.6
-52	38	-1.1
-50	38	0.4
-48	38	1.4
-46	38	1.3
-44	38	0.2
-42	38	-1.4
-40	38	-1.5
-38	38	0.1
-36	38	1.2
-34	38	0.9
-32	38	-1.2
-30	38	-4.2
-28	38	-2.8
-26	38	0.4
-24	38	1.7
-22	38	0.6
-20	38	-3.6
-18	38	-9.3
-16	38	-1.9
-14	38	1.8
-12	38	2.4
-10	38	0.1
-8	38	-7.7
-6	38	-8.6
-4	38	-0.1
-2	38	2.4
0	38	1.9
2	38	-2.1
4	38	-13.5
6	38	-3.1
8	38	1.6
10	38	2.7
12	38	1.2
14	38	-3.4
16	38	-7.3
18	38	-1.3
20	38	1.8
22	38	2.3
24	38	1
26	38	-1.9
28	38	-3.4
30	38	-0.8
32	38	1.4
34	38	2.2
36	38	2
38	38	0.9
40	38	0
42	38	-0.2
44	38	0.5
46	38	1.2
48	38	1.5
50	38	1.4
52	38	1.2
54	38	1.1
56	38	1.2
58	38	1.4
60	38	1.6
62	38	1.7
64	38	1.7
66	38	1.4
68	38	1.2
70	38	1
72	38	1.1
74	38	1.6
76	38	2.2
78	38	3
80	38	3.7
82	38	4.4
84	38	5
86	38	5.5
88	38	5.9
90	38	6.2
92	38	6.3
94	38	6.2
96	38	6
98	38	5.4
100	38	4.6
102	38	3.4
104	38	1.8
106	38	-0.3
108	38	-2.2
110	38	-2.4
112	38	-0.7
114	38	1.1

116	38	2.4
118	38	2.9
120	38	2.6
122	38	1.5
124	38	-0.2
126	38	-1.5
128	38	-1
130	38	0.6
132	38	1.6
134	38	1.5
136	38	0.3
138	38	-1.4
140	38	-1.5
142	38	0.1
144	38	1.3
146	38	1
148	38	-1.1
150	38	-4.2
152	38	-2.9
154	38	0.3
156	38	1.7
158	38	0.7
160	38	-3.5
162	38	-9.7
164	38	-2.1
166	38	1.7
168	38	2.3
170	38	0.1
172	38	-7.8
174	38	-8.9
176	38	-0.2
178	38	2.3
180	38	1.8
-180	40	1.5
-178	40	-2.9
-176	40	-12.2
-174	40	-2
-172	40	1.9
-170	40	2.3
-168	40	0
-166	40	-5.3
-164	40	-3.9
-162	40	0.6
-160	40	2.3
-158	40	1.7
-156	40	-0.7
-154	40	-2.7
-152	40	-0.8
-150	40	1.6
-148	40	2.6
-146	40	2.3
-144	40	1.3
-142	40	0.2
-140	40	0.1
-138	40	0.7
-136	40	1.1
-134	40	1.2
-132	40	1.1
-130	40	0.9
-128	40	1
-126	40	1.2
-124	40	1.3
-122	40	1.3
-120	40	1.2
-118	40	1.2
-116	40	1.3
-114	40	1.6
-112	40	2.1
-110	40	2.7
-108	40	3.2
-106	40	3.6
-104	40	3.9
-102	40	4.1
-100	40	4.2
-98	40	4.1
-96	40	4
-94	40	4
-92	40	4.1
-90	40	4.3
-88	40	4.5
-86	40	4.9
-84	40	5.3
-82	40	5.6
-80	40	5.8
-78	40	5.9
-76	40	5.7
-74	40	5
-72	40	3.9
-70	40	2.2
-68	40	0
-66	40	-1.7
-64	40	-0.9
-62	40	0.9
-60	40	2.3
-58	40	2.8
-56	40	2.2
-54	40	0.7
-52	40	-1.3
-50	40	-1.6
-48	40	0
-46	40	1.3
-44	40	1.5
-42	40	0.3
-40	40	-1.3
-38	40	-1.3
-36	40	0.4
-34	40	1.3
-32	40	0.5
-30	40	-2.4
-28	40	-4.8
-26	40	-1.4
-24	40	1.3
-22	40	1.5
-20	40	-1.1
-18	40	-7.7
-16	40	-4
-14	40	1
-12	40	2.4
-10	40	0.7
-8	40	-5.9
-6	40	-10.5
-4	40	-0.5
-2	40	2.2
0	40	1.6
2	40	-2.9
4	40	-12.4
6	40	-1.9
8	40	1.9
10	40	2.3
12	40	-0.1
14	40	-5.6
16	40	-4
18	40	0.7
20	40	2.3
22	40	1.7
24	40	-0.8
26	40	-2.8
28	40	-0.8

30	40	1.6
32	40	2.5
34	40	2.2
36	40	1.1
38	40	0.2
40	40	0.1
42	40	0.7
44	40	1.1
46	40	1.2
48	40	1
50	40	0.9
52	40	0.9
54	40	1.1
56	40	1.2
58	40	1.1
60	40	1
62	40	0.9
64	40	1
66	40	1.4
68	40	2
70	40	2.7
72	40	3.3
74	40	3.7
76	40	4
78	40	4.2
80	40	4.2
82	40	4.1
84	40	4
86	40	4
88	40	4.1
90	40	4.2
92	40	4.5
94	40	4.9
96	40	5.2
98	40	5.5
100	40	5.7
102	40	5.7
104	40	5.5
106	40	4.9
108	40	3.9
110	40	2.2
112	40	0.1
114	40	-1.5
116	40	-0.9
118	40	1
120	40	2.5
122	40	2.9
124	40	2.4
126	40	0.9
128	40	-1
130	40	-1.3
132	40	0.3
134	40	1.5
136	40	1.6
138	40	0.4
140	40	-1.4
142	40	-1.4
144	40	0.4
146	40	1.4
148	40	0.6
150	40	-2.4
152	40	-4.9
154	40	-1.4
156	40	1.3
158	40	1.6
160	40	-1.1
162	40	-8.1
164	40	-4.2
166	40	1
168	40	2.5
170	40	0.9
172	40	-5.6
174	40	-11.4
176	40	-0.7
178	40	2.1
180	40	1.5
-180	42	1.4
-178	42	-3.5
-176	42	-10.3
-174	42	-1.1
-172	42	2
-170	42	1.8
-168	42	-1.6
-166	42	-5.7
-164	42	-1.1
-162	42	2
-160	42	2.4
-158	42	0.7
-156	42	-2
-154	42	-0.9
-152	42	1.8
-150	42	3
-148	42	2.8
-146	42	1.5
-144	42	0.3
-142	42	0.5
-140	42	1.5
-138	42	2
-136	42	1.9
-134	42	1.4
-132	42	1
-130	42	1.1
-128	42	1.5
-126	42	1.7
-124	42	1.6
-122	42	1.3
-120	42	1.1
-118	42	1.4
-116	42	2
-114	42	2.8
-112	42	3.5
-110	42	3.9
-108	42	4
-106	42	3.9
-104	42	3.5
-102	42	3
-100	42	2.3
-98	42	1.6
-96	42	0.9
-94	42	0.1
-92	42	-0.7
-90	42	-1.6
-88	42	-2.5
-86	42	-3.3
-84	42	-3.1
-82	42	-1.8
-80	42	0.2
-78	42	2.1
-76	42	3.7
-74	42	4.7
-72	42	5.1
-70	42	4.8
-68	42	3.8
-66	42	2
-64	42	-0.5
-62	42	-2.1
-60	42	-0.7
-58	42	1.2

-56	42	2.2
-54	42	1.9
-52	42	0.5
-50	42	-1.4
-48	42	-1.7
-46	42	0.1
-44	42	1.4
-42	42	1.3
-40	42	-0.2
-38	42	-1.9
-36	42	-0.9
-34	42	1
-32	42	1.5
-30	42	-0.3
-28	42	-4.7
-26	42	-4.6
-24	42	0
-22	42	1.6
-20	42	0.3
-18	42	-5.3
-16	42	-7.5
-14	42	-0.2
-12	42	2.1
-10	42	1.1
-8	42	-4.7
-6	42	-13.6
-4	42	-1
-2	42	2
0	42	1.3
2	42	-3.7
4	42	-10.6
6	42	-1
8	42	2.1
10	42	1.8
12	42	-1.7
14	42	-6.2
16	42	-1.1
18	42	2.1
20	42	2.5
22	42	0.8
24	42	-1.8
26	42	-0.9
28	42	1.8
30	42	3
32	42	2.8
34	42	1.6
36	42	0.4
38	42	0.7
40	42	1.6
42	42	2.1
44	42	1.9
46	42	1.5
48	42	1.2
50	42	1.3
52	42	1.7
54	42	1.8
56	42	1.6
58	42	1.3
60	42	1.1
62	42	1.4
64	42	2.2
66	42	3
68	42	3.6
70	42	4
72	42	4.1
74	42	4
76	42	3.6
78	42	3
80	42	2.3
82	42	1.5
84	42	0.8
86	42	0
88	42	-0.8
90	42	-1.6
92	42	-2.5
94	42	-3.1
96	42	-2.9
98	42	-1.6
100	42	0.3
102	42	2.1
104	42	3.6
106	42	4.6
108	42	5.1
110	42	4.9
112	42	3.9
114	42	2.1
116	42	-0.4
118	42	-2
120	42	-0.7
122	42	1.3
124	42	2.3
126	42	2.1
128	42	0.7
130	42	-1.2
132	42	-1.4
134	42	0.4
136	42	1.6
138	42	1.5
140	42	-0.2
142	42	-2.1
144	42	-1
146	42	1
148	42	1.5
150	42	-0.3
152	42	-4.9
154	42	-4.5
156	42	0.2
158	42	1.8
160	42	0.4
162	42	-5.4
164	42	-8
166	42	-0.2
168	42	2.3
170	42	1.3
172	42	-4.4
174	42	-14.4
176	42	-1
178	42	2
180	42	1.4
180	44	1.7
-178	44	-3.6
-176	44	-9.3
-174	44	-0.3
-172	44	2.3
-170	44	1.4
-168	44	-3.2
-166	44	-5.5
-164	44	0.2
-162	44	2.5
-160	44	2
-158	44	-0.7
-156	44	-2.3
-154	44	0.6
-152	44	2.8
-150	44	3.1
-148	44	2
-146	44	0.5
-144	44	0.6

-142	44	1.9
-140	44	2.8
-138	44	2.9
-136	44	2.3
-134	44	1.7
-132	44	1.6
-130	44	1.8
-128	44	2
-126	44	2
-124	44	1.8
-122	44	1.7
-120	44	1.9
-118	44	2.4
-116	44	2.9
-114	44	3.1
-112	44	3
-110	44	2.6
-108	44	1.9
-106	44	1.1
-104	44	0.5
-102	44	0.4
-100	44	1.1
-98	44	2.1
-96	44	3.3
-94	44	4.2
-92	44	4.9
-90	44	5.3
-88	44	5.3
-86	44	4.9
-84	44	4
-82	44	2.7
-80	44	1
-78	44	-0.6
-76	44	-0.7
-74	44	1
-72	44	2.8
-70	44	4.1
-68	44	4.7
-66	44	4.5
-64	44	3.4
-62	44	1.5
-60	44	-0.7
-58	44	-1.1
-56	44	0.5
-54	44	1.8
-52	44	1.9
-50	44	0.9
-48	44	-0.6
-46	44	-0.6
-44	44	0.9
-42	44	1.9
-40	44	1.4
-38	44	-0.5
-36	44	-1.5
-34	44	0.4
-32	44	1.9
-30	44	1.4
-28	44	-1.8
-26	44	-6.2
-24	44	-1.6
-22	44	1.4
-20	44	1.2
-18	44	-3.1
-16	44	-11.8
-14	44	-1.4
-12	44	2
-10	44	1.6
-8	44	-3.6
-6	44	-16.5
-4	44	-0.9
-2	44	2.3
0	44	1.6
2	44	-3.7
4	44	-9.5
6	44	-0.3
8	44	2.3
10	44	1.4
12	44	-3.3
14	44	-5.6
16	44	0.3
18	44	2.6
20	44	2.1
22	44	-0.6
24	44	-2.3
26	44	0.6
28	44	2.8
30	44	3.1
32	44	2.1
34	44	0.6
36	44	0.7
38	44	2
40	44	2.9
42	44	2.9
44	44	2.3
46	44	1.7
48	44	1.6
50	44	2
52	44	2.2
54	44	2.1
56	44	1.8
58	44	1.7
60	44	2
62	44	2.5
64	44	3
66	44	3.3
68	44	3.2
70	44	2.7
72	44	1.9
74	44	1.1
76	44	0.4
78	44	0.4
80	44	1.1
82	44	2.2
84	44	3.3
86	44	4.3
88	44	5
90	44	5.3
92	44	5.3
94	44	4.9
96	44	4
98	44	2.6
100	44	0.9
102	44	-0.7
104	44	-0.8
106	44	0.8
108	44	2.6
110	44	3.9
112	44	4.6
114	44	4.5
116	44	3.5
118	44	1.6
120	44	-0.7
122	44	-1.2
124	44	0.5
126	44	1.8
128	44	2
130	44	0.9
132	44	-0.7

134	44	-0.7
136	44	1
138	44	1.9
140	44	1.4
142	44	-0.6
144	44	-1.8
146	44	0.3
148	44	1.9
150	44	1.4
152	44	-2
154	44	-6.5
156	44	-1.4
158	44	1.7
160	44	1.4
162	44	-3
164	44	-12.6
166	44	-1.3
168	44	2.2
170	44	1.8
172	44	-3.3
174	44	-17.3
176	44	-0.9
178	44	2.4
180	44	1.7
-180	46	1.9
-178	46	-3.8
-176	46	-8.5
-174	46	0.3
-172	46	2.5
-170	46	1
-168	46	-4.8
-166	46	-4.3
-164	46	1
-162	46	2.5
-160	46	1.1
-158	46	-2.1
-156	46	-1.3
-154	46	1.8
-152	46	3.1
-150	46	2.6
-148	46	1.1
-146	46	0.7
-144	46	1.9
-142	46	2.9
-140	46	3
-138	46	2.6
-136	46	2
-134	46	1.9
-132	46	2
-130	46	2.1
-128	46	2
-126	46	2
-124	46	2.3
-122	46	2.7
-120	46	3.1
-118	46	3.2
-116	46	2.9
-114	46	2.4
-112	46	1.8
-110	46	1.3
-108	46	1.1
-106	46	1.5
-104	46	2.2
-102	46	2.9
-100	46	3.6
-98	46	4.2
-96	46	4.7
-94	46	5.2
-92	46	5.6
-90	46	5.9
-88	46	6
-86	46	6
-84	46	5.8
-82	46	5.4
-80	46	4.6
-78	46	3.3
-76	46	1.6
-74	46	-0.6
-72	46	-1.9
-70	46	-0.5
-68	46	1.8
-66	46	3.5
-64	46	4.3
-62	46	4.1
-60	46	2.9
-58	46	1
-56	46	0
-54	46	1.1
-52	46	2.4
-50	46	2.6
-48	46	1.7
-46	46	0.3
-44	46	0.3
-42	46	1.6
-40	46	2.1
-38	46	1.1
-36	46	-1.1
-34	46	-0.9
-32	46	1.3
-30	46	1.9
-28	46	0
-26	46	-4.8
-24	46	-3
-22	46	1.1
-20	46	1.8
-18	46	-1.4
-16	46	-11.4
-14	46	-2.1
-12	46	2.2
-10	46	2.2
-8	46	-2.5
-6	46	-18.9
-4	46	-0.7
-2	46	2.7
0	46	1.9
2	46	-3.9
4	46	-8.7
6	46	0.3
8	46	2.5
10	46	1
12	46	-4.8
14	46	-4.5
16	46	0.9
18	46	2.4
20	46	1
22	46	-2.2
24	46	-1.5
26	46	1.7
28	46	3
30	46	2.5
32	46	1
34	46	0.5
36	46	1.8
38	46	2.9
40	46	3.1
42	46	2.5
44	46	1.8
46	46	1.7

48	46	2
50	46	2.2
52	46	2.1
54	46	2
56	46	2.2
58	46	2.6
60	46	3.1
62	46	3.2
64	46	3
66	46	2.4
68	46	1.7
70	46	1.1
72	46	1.1
74	46	1.5
76	46	2.3
78	46	3.1
80	46	3.8
82	46	4.3
84	46	4.8
86	46	5.2
88	46	5.6
90	46	5.9
92	46	6.1
94	46	6
96	46	5.8
98	46	5.3
100	46	4.5
102	46	3.3
104	46	1.6
106	46	-0.6
108	46	-2
110	46	-0.8
112	46	1.6
114	46	3.5
116	46	4.3
118	46	4.2
120	46	2.9
122	46	0.9
124	46	-0.3
126	46	0.9
128	46	2.3
130	46	2.6
132	46	1.6
134	46	0.1
136	46	0.2
138	46	1.6
140	46	2.2
142	46	1
144	46	-1.3
146	46	-1.1
148	46	1.2
150	46	1.9
152	46	0
154	46	-5.1
156	46	-3
158	46	1.3
160	46	1.9
162	46	-1.3
164	46	-11.6
166	46	-1.9
168	46	2.4
170	46	2.4
172	46	-2.1
174	46	-20.2
176	46	-0.8
178	46	2.7
180	46	1.9
-180	48	1.7
-178	48	-4.6
-176	48	-7
-174	48	0.9
-172	48	2.5
-170	48	0.4
-168	48	-5.8
-166	48	-2.5
-164	48	1.7
-162	48	2.2
-160	48	0
-158	48	-2.1
-156	48	0.6
-154	48	2.8
-152	48	3
-150	48	1.7
-148	48	0.6
-146	48	1.4
-144	48	2.5
-142	48	2.8
-140	48	2.3
-138	48	1.8
-136	48	2
-134	48	2.5
-132	48	2.7
-130	48	2.5
-128	48	2.3
-126	48	2.6
-124	48	3.2
-122	48	3.7
-120	48	3.7
-118	48	3.4
-116	48	2.9
-114	48	2.6
-112	48	2.9
-110	48	3.6
-108	48	4.5
-106	48	5.2
-104	48	5.6
-102	48	5.8
-100	48	5.7
-98	48	5.5
-96	48	5.1
-94	48	4.6
-92	48	4
-90	48	3.5
-88	48	3.2
-86	48	3.3
-84	48	3.7
-82	48	4.3
-80	48	4.9
-78	48	5.3
-76	48	5.3
-74	48	4.8
-72	48	3.4
-70	48	1.2
-68	48	-0.8
-66	48	0
-64	48	2.2
-62	48	3.7
-60	48	4
-58	48	3
-56	48	1.1
-54	48	0
-52	48	1.2
-50	48	2.5
-48	48	2.6
-46	48	1.3
-44	48	0.1
-42	48	0.9
-40	48	2.3

-38	48	2.2
-36	48	0.3
-34	48	-1.6
-32	48	0
-30	48	1.8
-28	48	1.1
-26	48	-3
-24	48	-5.1
-22	48	0.2
-20	48	2
-18	48	0
-16	48	-8.1
-14	48	-3.2
-12	48	2.1
-10	48	2.6
-8	48	-1.4
-6	48	-21.2
-4	48	-1.1
-2	48	2.6
0	48	1.6
2	48	-4.9
4	48	-6.9
6	48	1
8	48	2.6
10	48	0.4
12	48	-6.2
14	48	-2.7
16	48	1.6
18	48	2.1
20	48	-0.1
22	48	-2.4
24	48	0.4
26	48	2.7
28	48	2.8
30	48	1.5
32	48	0.3
34	48	1.3
36	48	2.6
38	48	2.8
40	48	2.2
42	48	1.6
44	48	1.8
46	48	2.4
48	48	2.6
50	48	2.4
52	48	2.2
54	48	2.6
56	48	3.3
58	48	3.8
60	48	3.9
62	48	3.5
64	48	2.8
66	48	2.4
68	48	2.7
70	48	3.5
72	48	4.4
74	48	5.2
76	48	5.7
78	48	5.9
80	48	5.8
82	48	5.6
84	48	5.1
86	48	4.6
88	48	4
90	48	3.4
92	48	3.1
94	48	3.2
96	48	3.6
98	48	4.3
100	48	4.9
102	48	5.4
104	48	5.4
106	48	4.9
108	48	3.5
110	48	1.2
112	48	-1
114	48	-0.2
116	48	2.2
118	48	3.7
120	48	4
122	48	2.9
124	48	1
126	48	-0.1
128	48	1.2
130	48	2.5
132	48	2.5
134	48	1.2
136	48	-0.1
138	48	0.9
140	48	2.4
142	48	2.3
144	48	0.4
146	48	-1.8
148	48	0
150	48	1.8
152	48	1.1
154	48	-3
156	48	-5.2
158	48	0.3
160	48	2.1
162	48	0
164	48	-8.2
166	48	-3.2
168	48	2.1
170	48	2.7
172	48	-1.3
174	48	-20.6
176	48	-1.1
178	48	2.6
180	48	1.7
-180	50	1.4
-178	50	-5.5
-176	50	-6.3
-174	50	1
-172	50	2.2
-170	50	-0.9
-168	50	-6.9
-166	50	-0.9
-164	50	2.2
-162	50	1.8
-160	50	-1.1
-158	50	-1.6
-156	50	1.6
-154	50	3
-152	50	2.3
-150	50	0.5
-148	50	0.4
-146	50	2
-144	50	2.8
-142	50	2.5
-140	50	1.7
-138	50	1.7
-136	50	2.4
-134	50	2.8
-132	50	2.6
-130	50	2.2
-128	50	2.3
-126	50	2.8

-124	50	3.4
-122	50	3.6
-120	50	3.2
-118	50	2.6
-116	50	2.3
-114	50	2.7
-112	50	3.4
-110	50	4.1
-108	50	4.5
-106	50	4.6
-104	50	4.5
-102	50	4.1
-100	50	3.7
-98	50	3.3
-96	50	3.1
-94	50	3.1
-92	50	3.2
-90	50	3.2
-88	50	3
-86	50	2.6
-84	50	2.2
-82	50	2.5
-80	50	3.4
-78	50	4.7
-76	50	5.7
-74	50	6.3
-72	50	6.3
-70	50	5.5
-68	50	3.9
-66	50	1.7
-64	50	0.7
-62	50	2
-60	50	3.4
-58	50	3.8
-56	50	3
-54	50	1.3
-52	50	0.3
-50	50	1.3
-48	50	2.2
-46	50	1.8
-44	50	0.2
-42	50	-0.1
-40	50	1.6
-38	50	2.6
-36	50	1.7
-34	50	-0.7
-32	50	-0.5
-30	50	1.9
-28	50	2.3
-26	50	-0.4
-24	50	-6
-22	50	-1.3
-20	50	2
-18	50	1.3
-16	50	-4.9
-14	50	-5.9
-12	50	1.3
-10	50	2.6
-8	50	-0.7
-6	50	-17.6
-4	50	-1.7
-2	50	2.3
0	50	1.3
2	50	-6
4	50	-6
6	50	1.2
8	50	2.2
10	50	-1
12	50	-7.6
14	50	-0.8
16	50	2.3
18	50	1.9
20	50	-1.3
22	50	-1.8
24	50	1.6
26	50	2.9
28	50	2.1
30	50	0.2
32	50	0.3
34	50	2.1
36	50	2.9
38	50	2.4
40	50	1.6
42	50	1.6
44	50	2.4
46	50	3
48	50	2.8
50	50	2.4
52	50	2.4
54	50	3.1
56	50	3.7
58	50	3.7
60	50	3.3
62	50	2.6
64	50	2.2
66	50	2.6
68	50	3.4
70	50	4.2
72	50	4.6
74	50	4.6
76	50	4.4
78	50	4.1
80	50	3.6
82	50	3.3
84	50	3.1
86	50	3.1
88	50	3.2
90	50	3.2
92	50	3
94	50	2.6
96	50	2.3
98	50	2.5
100	50	3.4
102	50	4.7
104	50	5.8
106	50	6.4
108	50	6.4
110	50	5.6
112	50	3.9
114	50	1.7
116	50	0.8
118	50	2.1
120	50	3.5
122	50	3.9
124	50	3
126	50	1.3
128	50	0.5
130	50	1.6
132	50	2.4
134	50	1.9
136	50	0.3
138	50	0
140	50	1.8
142	50	2.9
144	50	1.9
146	50	-0.5
148	50	-0.4
150	50	2

152	50	2.4
154	50	-0.3
156	50	-6
158	50	-1.3
160	50	2
162	50	1.3
164	50	-4.7
166	50	-6.1
168	50	1.2
170	50	2.5
172	50	-0.7
174	50	-18
176	50	-1.8
178	50	2.3
180	50	1.4
-180	52	1.3
-178	52	-6.4
-176	52	-5.5
-174	52	1.3
-172	52	2
-170	52	-2.1
-168	52	-7.1
-166	52	0.1
-164	52	2.4
-162	52	1.1
-160	52	-2.5
-158	52	-1
-156	52	2.2
-154	52	2.9
-152	52	1.6
-150	52	0.4
-148	52	1.5
-146	52	2.8
-144	52	2.9
-142	52	2.1
-140	52	1.6
-138	52	2
-136	52	2.5
-134	52	2.4
-132	52	1.9
-130	52	1.8
-128	52	2.3
-126	52	3
-124	52	3.2
-122	52	2.9
-120	52	2.5
-118	52	2.6
-116	52	3.2
-114	52	4
-112	52	4.4
-110	52	4.3
-108	52	3.8
-106	52	2.8
-104	52	1.7
-102	52	0.8
-100	52	0.5
-98	52	0.9
-96	52	1.7
-94	52	2.7
-92	52	3.6
-90	52	4.3
-88	52	4.5
-86	52	4.3
-84	52	3.5
-82	52	2.1
-80	52	0.6
-78	52	-0.1
-76	52	1
-74	52	2.9
-72	52	4.4
-70	52	5.2
-68	52	5
-66	52	3.9
-64	52	1.9
-62	52	0.4
-60	52	1.3
-58	52	3
-56	52	3.7
-54	52	3.1
-52	52	1.8
-50	52	1.4
-48	52	2.3
-46	52	2.7
-44	52	1.8
-42	52	0.4
-40	52	0.8
-38	52	2.3
-36	52	2.2
-34	52	0.3
-32	52	-1.1
-30	52	1.3
-28	52	2.7
-26	52	1.1
-24	52	-4.2
-22	52	-3
-20	52	1.5
-18	52	1.8
-16	52	-3
-14	52	-9
-12	52	0.3
-10	52	2.3
-8	52	-0.6
-6	52	-18
-4	52	-1.8
-2	52	2.3
0	52	1.1
2	52	-7.2
4	52	-5.1
6	52	1.5
8	52	2
10	52	-2.3
12	52	-7
14	52	0.4
16	52	2.6
18	52	1.2
20	52	-2.6
22	52	-1.1
24	52	2.1
26	52	2.8
28	52	1.4
30	52	0.1
32	52	1.5
34	52	3
36	52	3.1
38	52	2.1
40	52	1.5
42	52	2
44	52	2.7
46	52	2.6
48	52	2.1
50	52	1.9
52	52	2.5
54	52	3.2
56	52	3.3
58	52	2.9
60	52	2.4
62	52	2.6
64	52	3.3

66	52	4.1
68	52	4.4
70	52	4.3
72	52	3.7
74	52	2.7
76	52	1.5
78	52	0.7
80	52	0.4
82	52	0.8
84	52	1.6
86	52	2.6
88	52	3.6
90	52	4.3
92	52	4.6
94	52	4.4
96	52	3.7
98	52	2.3
100	52	0.7
102	52	-0.2
104	52	1
106	52	2.9
108	52	4.4
110	52	5.2
112	52	5
114	52	3.9
116	52	1.9
118	52	0.4
120	52	1.4
122	52	3
124	52	3.7
126	52	3
128	52	1.6
130	52	1.2
132	52	2.2
134	52	2.7
136	52	1.8
138	52	0.4
140	52	0.9
142	52	2.4
144	52	2.4
146	52	0.4
148	52	-1
150	52	1.4
152	52	2.9
154	52	1.4
156	52	-4.1
158	52	-3.2
160	52	1.5
162	52	1.9
164	52	-2.7
166	52	-9.3
168	52	0.3
170	52	2.4
172	52	-0.3
174	52	-16.7
176	52	-2
178	52	2.3
180	52	1.3
-180	54	1.3
-178	54	-7
-176	54	-4
-174	54	1.9
-172	54	1.9
-170	54	-3.1
-168	54	-5.8
-166	54	0.9
-164	54	2.3
-162	54	0
-160	54	-3
-158	54	0.4
-156	54	2.8
-154	54	2.7
-152	54	1.2
-150	54	1.1
-148	54	2.6
-146	54	3.2
-144	54	2.7
-142	54	2
-140	54	2.3
-138	54	2.9
-136	54	2.8
-134	54	2.2
-132	54	2
-130	54	2.6
-128	54	3.4
-126	54	3.5
-124	54	3.1
-122	54	2.6
-120	54	2.9
-118	54	3.7
-116	54	4.6
-114	54	5
-112	54	4.8
-110	54	4.3
-108	54	3.7
-106	54	3.5
-104	54	3.8
-102	54	4.4
-100	54	4.9
-98	54	5.1
-96	54	5.1
-94	54	4.9
-92	54	4.7
-90	54	4.6
-88	54	4.7
-86	54	4.9
-84	54	5
-82	54	4.8
-80	54	4.1
-78	54	2.7
-76	54	0.6
-74	54	-1.1
-72	54	0.2
-70	54	2.7
-68	54	4.5
-66	54	5
-64	54	4.2
-62	54	2.2
-60	54	0.1
-58	54	0.6
-56	54	2.4
-54	54	3
-52	54	2.3
-50	54	1.1
-48	54	1.4
-46	54	2.5
-44	54	2.6
-42	54	1.5
-40	54	0.7
-38	54	1.8
-36	54	2.5
-34	54	1.3
-32	54	-1.5
-30	54	-0.7
-28	54	1.8
-26	54	1.5
-24	54	-2.8
-22	54	-5.3

-20	54	0.5
-18	54	1.6
-16	54	-2.2
-14	54	-11.1
-12	54	-0.3
-10	54	2.2
-8	54	-0.4
-6	54	-19.3
-4	54	-1.7
-2	54	2.4
0	54	1.1
2	54	-7.6
4	54	-3.5
6	54	2
8	54	2
10	54	-3.1
12	54	-5.5
14	54	1
16	54	2.4
18	54	0.2
20	54	-3
22	54	0.4
24	54	2.8
26	54	2.7
28	54	1.2
30	54	1.1
32	54	2.6
34	54	3.2
36	54	2.6
38	54	1.7
40	54	2
42	54	2.8
44	54	2.9
46	54	2.4
48	54	2.1
50	54	2.7
52	54	3.4
54	54	3.6
56	54	3.1
58	54	2.6
60	54	2.9
62	54	3.8
64	54	4.7
66	54	5
68	54	4.8
70	54	4.2
72	54	3.5
74	54	3.3
76	54	3.7
78	54	4.3
80	54	4.8
82	54	5
84	54	5
86	54	4.9
88	54	4.7
90	54	4.7
92	54	4.8
94	54	5
96	54	5.1
98	54	4.9
100	54	4.2
102	54	2.8
104	54	0.7
106	54	-1.2
108	54	0
110	54	2.7
112	54	4.5
114	54	5
116	54	4.3
118	54	2.3
120	54	0.2
122	54	0.8
124	54	2.6
126	54	3.2
128	54	2.4
130	54	1.1
132	54	1.3
134	54	2.5
136	54	2.7
138	54	1.4
140	54	0.5
142	54	1.7
144	54	2.6
146	54	1.4
148	54	-1.6
150	54	-0.8
152	54	1.8
154	54	1.5
156	54	-2.9
158	54	-5.6
160	54	0.5
162	54	1.8
164	54	-1.9
166	54	-11.6
168	54	-0.3
170	54	2.4
172	54	-0.1
174	54	-17.1
176	54	-1.8
178	54	2.5
180	54	1.3
-180	56	1.1
-178	56	-7.2
-176	56	-2.9
-174	56	2
-172	56	1.4
-170	56	-4.5
-168	56	-3.3
-166	56	1.7
-164	56	2.1
-162	56	-1
-160	56	-2
-158	56	1.7
-156	56	3.1
-154	56	2
-152	56	0.5
-150	56	1.7
-148	56	3.1
-146	56	3.1
-144	56	2.2
-142	56	2
-140	56	2.9
-138	56	3.3
-136	56	2.9
-134	56	2.3
-132	56	2.7
-130	56	3.4
-128	56	3.7
-126	56	3.2
-124	56	2.6
-122	56	2.7
-120	56	3.5
-118	56	4.3
-116	56	4.4
-114	56	3.8
-112	56	2.9
-110	56	2.1
-108	56	2.3

-106	56	3.3
-104	56	4.5
-102	56	5.4
-100	56	6
-98	56	6.1
-96	56	5.8
-94	56	5.2
-92	56	4.6
-90	56	4
-88	56	3.8
-86	56	4.1
-84	56	4.9
-82	56	5.7
-80	56	6.2
-78	56	6.2
-76	56	5.4
-74	56	3.7
-72	56	1.6
-70	56	1.3
-68	56	3.2
-66	56	5
-64	56	5.6
-62	56	4.9
-60	56	3
-58	56	1.2
-56	56	1.6
-54	56	2.9
-52	56	3
-50	56	1.9
-48	56	0.9
-46	56	1.7
-44	56	2.4
-42	56	1.8
-40	56	0.3
-38	56	0.9
-36	56	2.5
-34	56	2.4
-32	56	-0.2
-30	56	-2
-28	56	0.9
-26	56	1.8
-24	56	-1.2
-22	56	-7.1
-20	56	-0.6
-18	56	1.7
-16	56	-1
-14	56	-11.2
-12	56	-1
-10	56	2.2
-8	56	-0.1
-6	56	-16.8
-4	56	-1.9
-2	56	2.4
0	56	1
2	56	-7.5
4	56	-2.6
6	56	2.1
8	56	1.4
10	56	-4.5
12	56	-3.1
14	56	1.8
16	56	2.2
18	56	-1
20	56	-2
22	56	1.8
24	56	3.1
26	56	2.1
28	56	0.6
30	56	1.7
32	56	3
34	56	3
36	56	2
38	56	1.9
40	56	2.8
42	56	3.3
44	56	3
46	56	2.4
48	56	2.7
50	56	3.5
52	56	3.7
54	56	3.2
56	56	2.6
58	56	2.7
60	56	3.5
62	56	4.2
64	56	4.3
66	56	3.8
68	56	2.8
70	56	2.1
72	56	2.2
74	56	3.2
76	56	4.4
78	56	5.4
80	56	5.9
82	56	6
84	56	5.8
86	56	5.2
88	56	4.6
90	56	4.1
92	56	3.8
94	56	4.1
96	56	4.8
98	56	5.7
100	56	6.3
102	56	6.3
104	56	5.5
106	56	3.8
108	56	1.6
110	56	1.2
112	56	3.2
114	56	5.1
116	56	5.7
118	56	4.9
120	56	3.1
122	56	1.3
124	56	1.9
126	56	3.1
128	56	3.2
130	56	1.9
132	56	0.9
134	56	1.8
136	56	2.6
138	56	1.8
140	56	0.2
142	56	0.8
144	56	2.6
146	56	2.4
148	56	-0.3
150	56	-2.1
152	56	1
154	56	1.8
156	56	-1.4
158	56	-7.7
160	56	-0.6
162	56	1.7
164	56	-1
166	56	-11.8
168	56	-1

170	56	2.3
172	56	0.1
174	56	-15.6
176	56	-2.1
178	56	2.3
180	56	1.1
-180	58	0.5
-178	58	-9
-176	58	-2.2
-174	58	2
-172	58	0.7
-170	58	-5.9
-168	58	-1.5
-166	58	2.4
-164	58	1.9
-162	58	-1.9
-160	58	-1.1
-158	58	2.4
-156	58	2.9
-154	58	1.2
-152	58	0.3
-150	58	2.2
-148	58	3.2
-146	58	2.6
-144	58	1.6
-142	58	2
-140	58	2.9
-138	58	2.9
-136	58	2.4
-134	58	2.5
-132	58	3.3
-130	58	3.8
-128	58	3.6
-126	58	3.1
-124	58	3.2
-122	58	4.1
-120	58	4.9
-118	58	4.9
-116	58	4.2
-114	58	3.2
-112	58	2.7
-110	58	3.2
-108	58	4.1
-106	58	4.8
-104	58	5.2
-102	58	5.3
-100	58	5.2
-98	58	5
-96	58	4.8
-94	58	4.6
-92	58	4.5
-90	58	4.5
-88	58	4.5
-86	58	4.4
-84	58	4.5
-82	58	5.1
-80	58	5.9
-78	58	6.5
-76	58	6.7
-74	58	6.1
-72	58	4.5
-70	58	2.1
-68	58	0.6
-66	58	2.2
-64	58	4.2
-62	58	5
-60	58	4.5
-58	58	2.8
-56	58	1.5
-54	58	2.3
-52	58	3.2
-50	58	3
-48	58	1.9
-46	58	1.7
-44	58	2.5
-42	58	2.4
-40	58	0.8
-38	58	0.2
-36	58	2
-34	58	2.7
-32	58	0.7
-30	58	-2
-28	58	0.7
-26	58	2.4
-24	58	0.4
-22	58	-6.4
-20	58	-1.5
-18	58	1.9
-16	58	0.1
-14	58	-9.4
-12	58	-2
-10	58	2
-8	58	0.2
-6	58	-14.2
-4	58	-2.5
-2	58	2
0	58	0.4
2	58	-9.3
4	58	-2
6	58	2.1
8	58	0.6
10	58	-6.1
12	58	-1.4
14	58	2.4
16	58	1.8
18	58	-2.2
20	58	-1
22	58	2.5
24	58	3
26	58	1.2
28	58	0.4
30	58	2.3
32	58	3.2
34	58	2.5
36	58	1.5
38	58	2
40	58	2.9
42	58	2.9
44	58	2.3
46	58	2.4
48	58	3.3
50	58	3.8
52	58	3.5
54	58	3.1
56	58	3.3
58	58	4.1
60	58	4.8
62	58	4.9
64	58	4.2
66	58	3.3
68	58	2.8
70	58	3.2
72	58	4.1
74	58	4.9
76	58	5.3
78	58	5.3
80	58	5.1
82	58	4.9

84	58	4.6
86	58	4.5
88	58	4.5
90	58	4.6
92	58	4.7
94	58	4.6
96	58	4.6
98	58	5.1
100	58	5.9
102	58	6.6
104	58	6.7
106	58	6.1
108	58	4.5
110	58	2
112	58	0.6
114	58	2.3
116	58	4.4
118	58	5.1
120	58	4.5
122	58	2.8
124	58	1.6
126	58	2.4
128	58	3.3
130	58	2.9
132	58	1.7
134	58	1.7
136	58	2.5
138	58	2.3
140	58	0.7
142	58	0.3
144	58	2.1
146	58	2.7
148	58	0.6
150	58	-2
152	58	0.8
154	58	2.5
156	58	0.5
158	58	-6.2
160	58	-1.6
162	58	1.9
164	58	0.1
166	58	-9.8
168	58	-2
170	58	2
172	58	0.3
174	58	-13.6
176	58	-2.5
178	58	2
180	58	0.5
-180	60	0.4
-178	60	-10.2
-176	60	-1.8
-174	60	2.1
-172	60	0.2
-170	60	-7.2
-168	60	-0.9
-166	60	2.6
-164	60	1.4
-162	60	-2.7
-160	60	-0.4
-158	60	2.7
-156	60	2.6
-154	60	0.6
-152	60	0.8
-150	60	2.6
-148	60	2.9
-146	60	1.9
-144	60	1.5
-142	60	2.4
-140	60	3
-138	60	2.5
-136	60	2.2
-134	60	3
-132	60	3.8
-130	60	3.8
-128	60	3.1
-126	60	2.9
-124	60	3.8
-122	60	4.8
-120	60	5
-118	60	4.4
-116	60	3.4
-114	60	3.1
-112	60	4
-110	60	5.2
-108	60	5.9
-106	60	5.9
-104	60	5.4
-102	60	4.5
-100	60	3.6
-98	60	3
-96	60	2.8
-94	60	3.2
-92	60	3.8
-90	60	4.4
-88	60	4.7
-86	60	4.6
-84	60	4.2
-82	60	3.7
-80	60	3.7
-78	60	4.6
-76	60	5.6
-74	60	6.3
-72	60	6.2
-70	60	5.2
-68	60	3
-66	60	1.1
-64	60	2.1
-62	60	4.2
-60	60	5
-58	60	4.3
-56	60	2.6
-54	60	1.6
-52	60	2.4
-50	60	2.9
-48	60	2.1
-46	60	1.4
-44	60	2.1
-42	60	2.7
-40	60	1.8
-38	60	0.5
-36	60	1.7
-34	60	2.9
-32	60	1.7
-30	60	-1.4
-28	60	0
-26	60	2.4
-24	60	1.3
-22	60	-4.7
-20	60	-2.6
-18	60	1.7
-16	60	0.6
-14	60	-8.5
-12	60	-2.9
-10	60	1.9
-8	60	0.4
-6	60	-12.9
-4	60	-2.6

-2	60	2.1
0	60	0.4
2	60	-10.1
4	60	-1.8
6	60	2
8	60	0
10	60	-7.6
12	60	-0.7
14	60	2.6
16	60	1.3
18	60	-2.9
20	60	-0.1
22	60	2.8
24	60	2.6
26	60	0.6
28	60	0.8
30	60	2.7
32	60	3
34	60	1.9
36	60	1.6
38	60	2.6
40	60	3.1
42	60	2.5
44	60	2.2
46	60	3
48	60	3.9
50	60	3.8
52	60	3.1
54	60	2.9
56	60	3.9
58	60	4.8
60	60	5
62	60	4.4
64	60	3.4
66	60	3.1
68	60	4
70	60	5.2
72	60	6
74	60	6
76	60	5.5
78	60	4.6
80	60	3.5
82	60	2.7
84	60	2.6
86	60	3
88	60	3.8
90	60	4.5
92	60	4.9
94	60	4.8
96	60	4.2
98	60	3.6
100	60	3.6
102	60	4.4
104	60	5.6
106	60	6.4
108	60	6.3
110	60	5.2
112	60	3
114	60	1.1
116	60	2.4
118	60	4.4
120	60	5.1
122	60	4.3
124	60	2.5
126	60	1.6
128	60	2.4
130	60	2.8
132	60	2.1
134	60	1.4
136	60	2.1
138	60	2.7
140	60	1.7
142	60	0.5
144	60	1.7
146	60	2.8
148	60	1.5
150	60	-1.6
152	60	-0.1
154	60	2.4
156	60	1.3
158	60	-4.5
160	60	-2.7
162	60	1.6
164	60	0.5
166	60	-8.8
168	60	-3
170	60	1.9
172	60	0.5
174	60	-12.4
176	60	-2.7
178	60	2
180	60	0.4
-180	62	0.7
-178	62	-8.8
-176	62	-2
-174	62	1.9
-172	62	-0.1
-170	62	-7
-168	62	-0.7
-166	62	2.1
-164	62	0.4
-162	62	-3.4
-160	62	0.3
-158	62	2.6
-156	62	1.9
-154	62	0.2
-152	62	1.4
-150	62	3
-148	62	2.7
-146	62	1.7
-144	62	2.1
-142	62	3.1
-140	62	3.1
-138	62	2.2
-136	62	2
-134	62	2.9
-132	62	3.3
-130	62	2.8
-128	62	2.1
-126	62	2.7
-124	62	3.8
-122	62	4.2
-120	62	3.6
-118	62	2.3
-116	62	1.7
-114	62	2.9
-112	62	4.5
-110	62	5.6
-108	62	5.9
-106	62	5.6
-104	62	4.9
-102	62	4.1
-100	62	3.7
-98	62	3.7
-96	62	3.6
-94	62	3.6
-92	62	3.7
-90	62	3.9

-88	62	4.1
-86	62	4.2
-84	62	3.9
-82	62	3.2
-80	62	2.3
-78	62	1.9
-76	62	2.9
-74	62	4.6
-72	62	5.9
-70	62	6.3
-68	62	5.4
-66	62	3.5
-64	62	2
-62	62	3.2
-60	62	4.8
-58	62	5.2
-56	62	4.2
-54	62	2.6
-52	62	2.4
-50	62	3.1
-48	62	2.7
-46	62	1.6
-44	62	1.7
-42	62	2.7
-40	62	2.3
-38	62	0.5
-36	62	0.6
-34	62	2.5
-32	62	2.3
-30	62	-0.4
-28	62	-1.1
-26	62	1.8
-24	62	1.6
-22	62	-3.4
-20	62	-4.2
-18	62	1.1
-16	62	0.8
-14	62	-7.2
-12	62	-4.1
-10	62	1.7
-8	62	0.7
-6	62	-10.9
-4	62	-3
-2	62	2.1
0	62	0.5
2	62	-9.5
4	62	-1.9
6	62	1.9
8	62	-0.2
10	62	-7.3
12	62	-0.7
14	62	2.1
16	62	0.3
18	62	-3.5
20	62	0.4
22	62	2.7
24	62	1.9
26	62	0.1
28	62	1.4
30	62	3
32	62	2.7
34	62	1.7
36	62	2.2
38	62	3.3
40	62	3.2
42	62	2.2
44	62	2
46	62	3
48	62	3.4
50	62	2.8
52	62	2.1
54	62	2.7
56	62	3.8
58	62	4.3
60	62	3.7
62	62	2.4
64	62	1.9
66	62	3
68	62	4.7
70	62	5.7
72	62	6.1
74	62	5.7
76	62	4.9
78	62	4.2
80	62	3.7
82	62	3.7
84	62	3.7
86	62	3.7
88	62	3.7
90	62	3.8
92	62	4
94	62	4.1
96	62	3.8
98	62	3.1
100	62	2.2
102	62	1.7
104	62	2.8
106	62	4.6
108	62	5.9
110	62	6.3
112	62	5.4
114	62	3.4
116	62	2
118	62	3.3
120	62	4.9
122	62	5.2
124	62	4.1
126	62	2.5
128	62	2.4
130	62	3.1
132	62	2.7
134	62	1.6
136	62	1.7
138	62	2.6
140	62	2.3
142	62	0.5
144	62	0.6
146	62	2.4
148	62	2.3
150	62	-0.6
152	62	-1.3
154	62	1.7
156	62	1.7
158	62	-3.2
160	62	-4.4
162	62	1
164	62	0.7
166	62	-7.5
168	62	-4.1
170	62	1.8
172	62	0.9
174	62	-10.3
176	62	-3.2
178	62	2.1
180	62	0.7
-180	64	0.5
-178	64	-8.1
-176	64	-1.8

-174	64	1.7
-172	64	-0.5
-170	64	-5.8
-168	64	-0.1
-166	64	1.8
-164	64	-0.8
-162	64	-3.3
-160	64	1.1
-158	64	2.7
-156	64	1.3
-154	64	0.1
-152	64	2
-150	64	3
-148	64	2.2
-146	64	1.4
-144	64	2.4
-142	64	3.2
-140	64	2.7
-138	64	1.9
-136	64	2.4
-134	64	3.3
-132	64	3.3
-130	64	2.9
-128	64	3.1
-126	64	4.1
-124	64	4.7
-122	64	4.3
-120	64	3.2
-118	64	2.6
-116	64	3.5
-114	64	4.8
-112	64	5.6
-110	64	5.7
-108	64	5.2
-106	64	4.5
-104	64	4.2
-102	64	4.5
-100	64	5.1
-98	64	5.6
-96	64	5.7
-94	64	5.4
-92	64	4.8
-90	64	4.2
-88	64	4
-86	64	4.2
-84	64	4.5
-82	64	4.7
-80	64	4.4
-78	64	3.4
-76	64	2.5
-74	64	2.8
-72	64	4.4
-70	64	5.8
-68	64	6
-66	64	5
-64	64	2.8
-62	64	1.6
-60	64	3
-58	64	4.3
-56	64	4.2
-54	64	2.9
-52	64	2.2
-50	64	2.8
-48	64	3.1
-46	64	2.3
-44	64	2
-42	64	2.9
-40	64	3
-38	64	1.2
-36	64	-0.2
-34	64	1.7
-32	64	2.4
-30	64	-0.1
-28	64	-2.6
-26	64	0.9
-24	64	1.9
-22	64	-2.1
-20	64	-6.4
-18	64	0.5
-16	64	1.3
-14	64	-4.8
-12	64	-6
-10	64	1.2
-8	64	0.8
-6	64	-9.1
-4	64	-4
-2	64	1.7
0	64	0.4
2	64	-8.6
4	64	-1.5
6	64	1.9
8	64	-0.4
10	64	-6.3
12	64	-0.3
14	64	1.8
16	64	-0.9
18	64	-3.4
20	64	1.1
22	64	2.7
24	64	1.3
26	64	0
28	64	1.9
30	64	2.9
32	64	2.2
34	64	1.4
36	64	2.4
38	64	3.3
40	64	2.8
42	64	2
44	64	2.4
46	64	3.2
48	64	3.3
50	64	2.8
52	64	3.1
54	64	4.1
56	64	4.7
58	64	4.3
60	64	3.2
62	64	2.5
64	64	3.4
66	64	4.7
68	64	5.6
70	64	5.7
72	64	5.3
74	64	4.7
76	64	4.3
78	64	4.5
80	64	5.1
82	64	5.6
84	64	5.7
86	64	5.4
88	64	4.8
90	64	4.1
92	64	3.8
94	64	3.9
96	64	4.4
98	64	4.6
100	64	4.4

102	64	3.5
104	64	2.5
106	64	2.8
108	64	4.4
110	64	5.8
112	64	6
114	64	5
116	64	2.8
118	64	1.6
120	64	3.1
122	64	4.4
124	64	4.2
126	64	2.9
128	64	2.2
130	64	2.9
132	64	3.1
134	64	2.3
136	64	2
138	64	2.9
140	64	3
142	64	1.2
144	64	-0.2
146	64	1.8
148	64	2.5
150	64	0
152	64	-2.7
154	64	0.9
156	64	2
158	64	-1.9
160	64	-6.1
162	64	0.6
164	64	1.3
166	64	-4.9
168	64	-6.1
170	64	1.3
172	64	1
174	64	-8.6
176	64	-4.1
178	64	1.7
180	64	0.5
-180	66	0
-178	66	-8.4
-176	66	-1.2
-174	66	1.8
-172	66	-1
-170	66	-5.3
-168	66	0.6
-166	66	2
-164	66	-1.1
-162	66	-2.5
-160	66	1.8
-158	66	2.7
-156	66	0.9
-154	66	0.2
-152	66	2.2
-150	66	2.8
-148	66	1.8
-146	66	1.7
-144	66	2.9
-142	66	3.2
-140	66	2.5
-138	66	2.5
-136	66	3.5
-134	66	3.9
-132	66	3.4
-130	66	3.1
-128	66	4.1
-126	66	5.1
-124	66	5.2
-122	66	4.2
-120	66	3.2
-118	66	3.8
-116	66	5.2
-114	66	6.1
-112	66	6.1
-110	66	5.3
-108	66	4.2
-106	66	3.6
-104	66	3.9
-102	66	4.7
-100	66	5.4
-98	66	5.8
-96	66	5.9
-94	66	5.7
-92	66	5.3
-90	66	4.8
-88	66	4.3
-86	66	4.3
-84	66	4.8
-82	66	5.4
-80	66	5.7
-78	66	5.2
-76	66	3.7
-74	66	2.1
-72	66	2.3
-70	66	4.2
-68	66	5.6
-66	66	5.6
-64	66	4.3
-62	66	2.2
-60	66	1.8
-58	66	3.3
-56	66	4.1
-54	66	3.4
-52	66	2.1
-50	66	2
-48	66	2.5
-46	66	2
-44	66	1.3
-42	66	2.1
-40	66	2.8
-38	66	1.6
-36	66	-0.1
-34	66	1.3
-32	66	2.5
-30	66	0.6
-28	66	-3.2
-26	66	0.2
-24	66	2
-22	66	-0.9
-20	66	-7.3
-18	66	0.1
-16	66	1.7
-14	66	-3.1
-12	66	-8.2
-10	66	0.7
-8	66	0.9
-6	66	-7.9
-4	66	-4.7
-2	66	1.4
0	66	0.1
2	66	-8.5
4	66	-1.2
6	66	1.9
8	66	-0.9
10	66	-5.6
12	66	0.6
14	66	2

16	66	-1.1
18	66	-2.5
20	66	1.7
22	66	2.7
24	66	0.8
26	66	0.1
28	66	2.2
30	66	2.8
32	66	1.8
34	66	1.7
36	66	2.8
38	66	3.2
40	66	2.6
42	66	2.6
44	66	3.4
46	66	3.9
48	66	3.4
50	66	3.2
52	66	4.1
54	66	5.2
56	66	5.2
58	66	4.3
60	66	3.2
62	66	3.8
64	66	5.2
66	66	6
68	66	6
70	66	5.2
72	66	4.1
74	66	3.6
76	66	3.9
78	66	4.8
80	66	5.5
82	66	5.9
84	66	5.9
86	66	5.7
88	66	5.3
90	66	4.8
92	66	4.3
94	66	4.2
96	66	4.7
98	66	5.3
100	66	5.6
102	66	5.2
104	66	3.9
106	66	2.2
108	66	2.3
110	66	4.2
112	66	5.6
114	66	5.7
116	66	4.3
118	66	2.1
120	66	1.6
122	66	3.4
124	66	4.1
126	66	3.4
128	66	2.1
130	66	2.1
132	66	2.6
134	66	2.1
136	66	1.4
138	66	2.2
140	66	2.9
142	66	1.7
144	66	0
146	66	1.5
148	66	2.7
150	66	0.8
152	66	-3
154	66	0.3
156	66	2.1
158	66	-0.9
160	66	-7.3
162	66	0.2
164	66	1.8
166	66	-2.9
168	66	-8.6
170	66	0.6
172	66	0.8
174	66	-8
176	66	-4.7
178	66	1.4
180	66	0
-180	68	0.2
-178	68	-9.1
-176	68	-1.2
-174	68	1.8
-172	68	-1.2
-170	68	-5.7
-168	68	0.8
-166	68	1.9
-164	68	-1.3
-162	68	-1.7
-160	68	2.1
-158	68	2.6
-156	68	0.8
-154	68	1.1
-152	68	2.9
-150	68	3
-148	68	2
-146	68	2.2
-144	68	3.1
-142	68	2.8
-140	68	2
-138	68	2.4
-136	68	3.3
-134	68	3.2
-132	68	2.4
-130	68	2.6
-128	68	4.1
-126	68	5
-124	68	4.5
-122	68	3.3
-120	68	3.1
-118	68	4.7
-116	68	6.1
-114	68	6.6
-112	68	6.1
-110	68	5
-108	68	4.3
-106	68	4.5
-104	68	5.2
-102	68	5.6
-100	68	5.6
-98	68	5.5
-96	68	5.4
-94	68	5.5
-92	68	5.7
-90	68	5.8
-88	68	5.8
-86	68	5.5
-84	68	5.4
-82	68	5.7
-80	68	6.3
-78	68	6.3
-76	68	5.5
-74	68	3.8
-72	68	1.9

-70	68	2.3
-68	68	4.4
-66	68	5.6
-64	68	5.3
-62	68	3.8
-60	68	2.2
-58	68	2.9
-56	68	4.2
-54	68	4.1
-52	68	3.1
-50	68	2.5
-48	68	2.9
-46	68	2.6
-44	68	1.5
-42	68	1.5
-40	68	2.3
-38	68	1.8
-36	68	-0.1
-34	68	0.7
-32	68	2.4
-30	68	1.3
-28	68	-2.2
-26	68	-0.3
-24	68	2
-22	68	-0.2
-20	68	-7.5
-18	68	-0.7
-16	68	1.6
-14	68	-2.5
-12	68	-10.1
-10	68	0.4
-8	68	1
-6	68	-7.2
-4	68	-5
-2	68	1.4
0	68	0.1
2	68	-9
4	68	-1.1
6	68	1.8
8	68	-1.3
10	68	-5.5
12	68	0.8
14	68	2
16	68	-1.2
18	68	-1.7
20	68	2.1
22	68	2.6
24	68	0.7
26	68	1
28	68	2.9
30	68	2.9
32	68	1.9
34	68	2.1
36	68	3.2
38	68	2.9
40	68	2
42	68	2.3
44	68	3.3
46	68	3.3
48	68	2.4
50	68	2.6
52	68	4
54	68	4.9
56	68	4.5
58	68	3.2
60	68	3.1
62	68	4.7
64	68	6.1
66	68	6.6
68	68	6
70	68	4.9
72	68	4.2
74	68	4.5
76	68	5.2
78	68	5.6
80	68	5.7
82	68	5.5
84	68	5.4
86	68	5.4
88	68	5.6
90	68	5.8
92	68	5.8
94	68	5.5
96	68	5.4
98	68	5.6
100	68	6.1
102	68	6.2
104	68	5.5
106	68	3.9
108	68	2
110	68	2.3
112	68	4.5
114	68	5.7
116	68	5.5
118	68	3.8
120	68	2.1
122	68	2.9
124	68	4.3
126	68	4.2
128	68	3
130	68	2.4
132	68	2.9
134	68	2.7
136	68	1.5
138	68	1.4
140	68	2.5
142	68	2
144	68	0
146	68	0.7
148	68	2.4
150	68	1.4
152	68	-2.2
154	68	-0.2
156	68	2.1
158	68	0
160	68	-7.3
162	68	-0.6
164	68	1.8
166	68	-2.3
168	68	-10.4
170	68	0.3
172	68	1
174	68	-7.2
176	68	-5
178	68	1.5
180	68	0.2
-180	70	0.6
-178	70	-8.4
-176	70	-1.5
-174	70	1.7
-172	70	-1.2
-170	70	-5.7
-168	70	0.4
-166	70	1.4
-164	70	-1.7
-162	70	-1.1
-160	70	2.2
-158	70	2.2

-156	70	0.4
-154	70	1.5
-152	70	3.1
-150	70	2.7
-148	70	1.5
-146	70	2.2
-144	70	3.1
-142	70	2.7
-140	70	1.8
-138	70	2.4
-136	70	3.2
-134	70	3
-132	70	2.5
-130	70	3.3
-128	70	4.4
-126	70	4.6
-124	70	3.7
-122	70	2.7
-120	70	3.5
-118	70	5
-116	70	5.9
-114	70	5.8
-112	70	4.9
-110	70	4.1
-108	70	4.3
-106	70	5.2
-104	70	5.8
-102	70	5.8
-100	70	5.2
-98	70	4.5
-96	70	4.2
-94	70	4.4
-92	70	5.1
-90	70	5.7
-88	70	6
-86	70	5.8
-84	70	5.3
-82	70	5
-80	70	5.4
-78	70	6
-76	70	6.2
-74	70	5.6
-72	70	4.1
-70	70	2.7
-68	70	3.5
-66	70	5.3
-64	70	6
-62	70	5.3
-60	70	3.6
-58	70	2.9
-56	70	3.6
-54	70	3.9
-52	70	3.1
-50	70	2.4
-48	70	2.8
-46	70	3
-44	70	2.1
-42	70	1.9
-40	70	2.9
-38	70	2.8
-36	70	1
-34	70	0.4
-32	70	2.2
-30	70	1.9
-28	70	-1.6
-26	70	-1.3
-24	70	1.7
-22	70	0.4
-20	70	-6.5
-18	70	-1.8
-16	70	-1.3
-14	70	-2.2
-12	70	-11.4
-10	70	0.1
-8	70	1.1
-6	70	-6.4
-4	70	-5.4
-2	70	1.5
0	70	0.4
2	70	-8.5
4	70	-1.6
6	70	1.6
8	70	-1.4
10	70	-5.4
12	70	0.5
14	70	1.4
16	70	-1.8
18	70	-1.1
20	70	2.2
22	70	2.2
24	70	0.5
26	70	1.4
28	70	3
30	70	2.6
32	70	1.5
34	70	2.3
36	70	3.2
38	70	2.7
40	70	1.8
42	70	2.4
44	70	3.3
46	70	3.1
48	70	2.5
50	70	3.2
52	70	4.4
54	70	4.6
56	70	3.6
58	70	2.6
60	70	3.5
62	70	5.1
64	70	6
66	70	5.9
68	70	5
70	70	4.2
72	70	4.4
74	70	5.4
76	70	5.9
78	70	5.9
80	70	5.3
82	70	4.5
84	70	4.1
86	70	4.4
88	70	5.1
90	70	5.8
92	70	6
94	70	5.7
96	70	5.2
98	70	4.9
100	70	5.3
102	70	5.9
104	70	6.2
106	70	5.7
108	70	4.2
110	70	2.7
112	70	3.5
114	70	5.3
116	70	6.1
118	70	5.3

120	70	3.5
122	70	2.8
124	70	3.8
126	70	4.1
128	70	3.2
130	70	2.4
132	70	2.9
134	70	3.1
136	70	2.1
138	70	1.7
140	70	2.9
142	70	2.9
144	70	0.9
146	70	0.1
148	70	2.1
150	70	1.9
152	70	-1.6
154	70	-1.6
156	70	1.5
158	70	0.3
160	70	-6.7
162	70	-1.6
164	70	1.5
166	70	-1.9
168	70	-11.7
170	70	0.2
172	70	1.3
174	70	-6.2
176	70	-5.3
178	70	1.6
180	70	0.6
-180	72	0.5
-178	72	-7.2
-176	72	-1.8
-174	72	1.4
-172	72	-1.4
-170	72	-4.7
-168	72	0.4
-166	72	0.9
-164	72	-2.3
-162	72	-0.9
-160	72	2
-158	72	1.5
-156	72	-0.1
-154	72	1.5
-152	72	2.9
-150	72	2.4
-148	72	1.6
-146	72	2.6
-144	72	3.4
-142	72	2.9
-140	72	2.5
-138	72	3.1
-136	72	3.5
-134	72	3.1
-132	72	3
-130	72	4
-128	72	4.7
-126	72	4.3
-124	72	3
-122	72	2.8
-120	72	4.2
-118	72	5.3
-116	72	5.4
-114	72	4.6
-112	72	3.7
-110	72	3.7
-108	72	4.7
-106	72	5.8
-104	72	6.2
-102	72	5.9
-100	72	5.2
-98	72	4.4
-96	72	4.1
-94	72	4.3
-92	72	4.9
-90	72	5.5
-88	72	5.9
-86	72	5.7
-84	72	5
-82	72	4.2
-80	72	4.2
-78	72	5
-76	72	6.1
-74	72	6.4
-72	72	5.7
-70	72	3.9
-68	72	2.6
-66	72	3.9
-64	72	5.4
-62	72	5.5
-60	72	4.3
-58	72	2.9
-56	72	3
-54	72	3.5
-52	72	3.1
-50	72	2.3
-48	72	2.5
-46	72	2.7
-44	72	2
-42	72	1.4
-40	72	2.4
-38	72	2.9
-36	72	1.4
-34	72	0.3
-32	72	2.1
-30	72	2.4
-28	72	-0.9
-26	72	-2.7
-24	72	1.1
-22	72	0.8
-20	72	-5.8
-18	72	-2.9
-16	72	1.3
-14	72	-1.1
-12	72	-1.2
-10	72	-0.5
-8	72	1.3
-6	72	-4.9
-4	72	-7.4
-2	72	0.9
0	72	0.3
2	72	-7.9
4	72	-1.8
6	72	1.3
8	72	-1.6
10	72	-4.8
12	72	0.5
14	72	1
16	72	-2.5
18	72	-1.1
20	72	2
22	72	1.5
24	72	-0.2
26	72	1.3
28	72	2.8
30	72	2.4
32	72	1.6

34	72	2.6
36	72	3.4
38	72	3
40	72	2.5
42	72	3.1
44	72	3.5
46	72	3
48	72	3
50	72	4
52	72	4.7
54	72	4.2
56	72	2.8
58	72	2.7
60	72	4.2
62	72	5.4
64	72	5.6
66	72	4.7
68	72	3.7
70	72	3.7
72	72	4.8
74	72	5.8
76	72	6.2
78	72	5.9
80	72	5.2
82	72	4.4
84	72	4.1
86	72	4.2
88	72	4.8
90	72	5.4
92	72	5.8
94	72	5.7
96	72	5
98	72	4.3
100	72	4.2
102	72	5
104	72	6
106	72	6.4
108	72	5.7
110	72	3.8
112	72	2.4
114	72	3.9
116	72	5.5
118	72	5.6
120	72	4.3
122	72	2.8
124	72	3
126	72	3.7
128	72	3.2
130	72	2.2
132	72	2.4
134	72	2.8
136	72	2
138	72	1.2
140	72	2.3
142	72	2.9
144	72	1.3
146	72	0
148	72	2
150	72	2.4
152	72	-1
154	72	-2.9
156	72	1.2
158	72	0.9
160	72	-6
162	72	-3
164	72	1.4
166	72	-1
168	72	-12.2
170	72	-0.3
172	72	1.5
174	72	-4.7
176	72	-7.2
178	72	1.1
180	72	0.5
-180	74	0.2
-178	74	-7.4
-176	74	-1.7
-174	74	1.2
-172	74	-1.7
-170	74	-4
-168	74	0.8
-166	74	1
-164	74	-2.2
-162	74	-0.5
-160	74	2.1
-158	74	1.6
-156	74	0.4
-154	74	1.8
-152	74	2.9
-150	74	2.2
-148	74	1.7
-146	74	2.6
-144	74	3
-142	74	2.5
-140	74	2.4
-138	74	3.1
-136	74	3.1
-134	74	2.6
-132	74	3.1
-130	74	4.4
-128	74	4.9
-126	74	4.1
-124	74	2.9
-122	74	3.7
-120	74	5.3
-118	74	6.1
-116	74	5.7
-114	74	4.4
-112	74	3.5
-110	74	4
-108	74	5.2
-106	74	6
-104	74	6.2
-102	74	5.8
-100	74	5.3
-98	74	5.1
-96	74	5
-94	74	4.9
-92	74	4.9
-90	74	5.2
-88	74	5.4
-86	74	5.4
-84	74	5.1
-82	74	4.4
-80	74	3.9
-78	74	4.5
-76	74	5.8
-74	74	6.8
-72	74	6.6
-70	74	5.2
-68	74	2.9
-66	74	2.7
-64	74	4.4
-62	74	5.2
-60	74	4.4
-58	74	2.7
-56	74	2.2
-54	74	3

-52	74	3.1
-50	74	2.4
-48	74	2.3
-46	74	2.8
-44	74	2.4
-42	74	1.3
-40	74	1.7
-38	74	2.4
-36	74	1.2
-34	74	-0.5
-32	74	1.2
-30	74	2.1
-28	74	-0.6
-26	74	-3.1
-24	74	1.2
-22	74	1.6
-20	74	-4.2
-18	74	-3.9
-16	74	1.4
-14	74	-0.1
-12	74	-11.7
-10	74	-1.3
-8	74	1.2
-6	74	-4.1
-4	74	-8.8
-2	74	0.6
0	74	0.2
2	74	-7.6
4	74	-1.8
6	74	1.2
8	74	-1.9
10	74	-4.3
12	74	0.8
14	74	1.1
16	74	-2.4
18	74	-0.8
20	74	2.1
22	74	1.6
24	74	0.2
26	74	1.7
28	74	2.9
30	74	2.3
32	74	1.8
34	74	2.7
36	74	3.1
38	74	2.6
40	74	2.6
42	74	3.2
44	74	3.2
46	74	2.6
48	74	3.1
50	74	4.5
52	74	5
54	74	4.1
56	74	2.9
58	74	3.7
60	74	5.4
62	74	6.1
64	74	5.7
66	74	4.4
68	74	3.6
70	74	4.2
72	74	5.3
74	74	6
76	74	6.2
78	74	5.8
80	74	5.3
82	74	5
84	74	4.9
86	74	4.9
88	74	4.9
90	74	5.1
92	74	5.4
94	74	5.5
96	74	5.2
98	74	4.5
100	74	4
102	74	4.4
104	74	5.7
106	74	6.7
108	74	6.7
110	74	5.2
112	74	2.8
114	74	2.5
116	74	4.4
118	74	5.2
120	74	4.4
122	74	2.6
124	74	2.1
126	74	3.1
128	74	3.2
130	74	2.4
132	74	2.2
134	74	2.9
136	74	2.5
138	74	1.3
140	74	1.7
142	74	2.5
144	74	1.2
146	74	-0.7
148	74	1.2
150	74	2.2
152	74	-0.6
154	74	-3.3
156	74	1.2
158	74	1.6
160	74	-4.1
162	74	-4.2
164	74	1.2
166	74	-0.4
168	74	-12.7
170	74	-1.2
172	74	1.2
174	74	-4.3
176	74	-8.5
178	74	0.7
180	74	0.2
-180	76	0.2
-178	76	-8.1
-176	76	-1.6
-174	76	1.3
-172	76	-1.9
-170	76	-4.4
-168	76	0.9
-166	76	1.2
-164	76	-1.8
-162	76	0.1
-160	76	2.4
-158	76	1.9
-156	76	0.8
-154	76	2.1
-152	76	2.6
-150	76	1.7
-148	76	1.6
-146	76	2.6
-144	76	2.5
-142	76	1.7
-140	76	2

-138	76	3
-136	76	3
-134	76	2.5
-132	76	3.2
-130	76	4.5
-128	76	4.8
-126	76	3.8
-124	76	3.1
-122	76	4.4
-120	76	6
-118	76	6.5
-116	76	5.7
-114	76	4.4
-112	76	4
-110	76	4.9
-108	76	5.7
-106	76	5.9
-104	76	5.6
-102	76	5.3
-100	76	5.2
-98	76	5.6
-96	76	5.9
-94	76	5.7
-92	76	5.1
-90	76	4.7
-88	76	4.6
-86	76	5
-84	76	5.2
-82	76	5
-80	76	4.5
-78	76	4.3
-76	76	5.2
-74	76	6.4
-72	76	6.8
-70	76	5.9
-68	76	3.8
-66	76	2.4
-64	76	3.6
-62	76	4.9
-60	76	4.8
-58	76	3.4
-56	76	2.4
-54	76	3
-52	76	3.3
-50	76	2.6
-48	76	2.1
-46	76	2.6
-44	76	2.6
-42	76	1.4
-40	76	1.5
-38	76	2.6
-36	76	2.1
-34	76	0
-32	76	0.8
-30	76	2.1
-28	76	0
-26	76	-3.5
-24	76	0.7
-22	76	1.7
-20	76	-3.2
-18	76	-4.6
-16	76	1.3
-14	76	0.2
-12	76	-11.4
-10	76	-1.7
-8	76	1.3
-6	76	-3.7
-4	76	-9
-2	76	0.7
0	76	0.3
2	76	-8.4
4	76	-1.9
6	76	1.2
8	76	-2
10	76	-4.5
12	76	0.9
14	76	1.2
16	76	-1.8
18	76	0
20	76	2.5
22	76	1.9
24	76	0.8
26	76	2
28	76	2.6
30	76	1.8
32	76	1.6
34	76	2.5
36	76	2.6
38	76	2
40	76	2.3
42	76	3.1
44	76	3
46	76	2.4
48	76	3.3
50	76	4.6
52	76	4.9
54	76	3.8
56	76	3
58	76	4.4
60	76	6
62	76	6.5
64	76	5.7
66	76	4.4
68	76	4.1
70	76	5
72	76	5.7
74	76	5.8
76	76	5.6
78	76	5.3
80	76	5.3
82	76	5.6
84	76	5.9
86	76	5.7
88	76	5.1
90	76	4.6
92	76	4.7
94	76	5
96	76	5.3
98	76	5.1
100	76	4.5
102	76	4.2
104	76	5.2
106	76	6.4
108	76	6.8
110	76	5.9
112	76	3.7
114	76	2.2
116	76	3.5
118	76	4.9
120	76	4.8
122	76	3.4
124	76	2.3
126	76	3
128	76	3.3
130	76	2.6
132	76	2
134	76	2.6
136	76	2.6

138	76	1.5
140	76	1.6
142	76	2.7
144	76	2.1
146	76	0
148	76	0.9
150	76	2.2
152	76	0.1
154	76	-3.2
156	76	0.7
158	76	1.7
160	76	-3.1
162	76	-4.4
164	76	1.3
166	76	0.1
168	76	-12.3
170	76	-1.8
172	76	1.2
174	76	-3.9
176	76	-8.7
178	76	0.7
180	76	0.2
-180	78	0.7
-178	78	-7.8
-176	78	-1.9
-174	78	1.5
-172	78	-1.7
-170	78	-4.9
-168	78	0.6
-166	78	1
-164	78	-1.9
-162	78	0
-160	78	2.2
-158	78	1.4
-156	78	0.6
-154	78	2.2
-152	78	2.7
-150	78	1.8
-148	78	1.9
-146	78	2.9
-144	78	2.8
-142	78	1.9
-140	78	2.3
-138	78	3
-136	78	2.8
-134	78	2.4
-132	78	3.4
-130	78	4.4
-128	78	4.3
-126	78	3.2
-124	78	3.1
-122	78	4.8
-120	78	6.2
-118	78	6.5
-116	78	5.6
-114	78	4.7
-112	78	5
-110	78	5.9
-108	78	6.3
-106	78	6
-104	78	5.3
-102	78	4.9
-100	78	5.2
-98	78	5.9
-96	78	6.4
-94	78	6.4
-92	78	5.7
-90	78	4.8
-88	78	4.4
-86	78	4.9
-84	78	5.6
-82	78	6
-80	78	5.6
-78	78	4.9
-76	78	4.9
-74	78	5.9
-72	78	6.7
-70	78	6.4
-68	78	4.8
-66	78	2.6
-64	78	2.6
-62	78	4.2
-60	78	4.8
-58	78	4.1
-56	78	2.9
-54	78	3
-52	78	3.4
-50	78	3
-48	78	2.4
-46	78	2.8
-44	78	2.9
-42	78	1.8
-40	78	1.5
-38	78	2.7
-36	78	2.7
-34	78	0.8
-32	78	1.2
-30	78	2.8
-28	78	1.5
-26	78	-2.4
-24	78	0
-22	78	1.6
-20	78	-2.3
-18	78	-6.1
-16	78	0.5
-14	78	-0.1
-12	78	-1.1
-10	78	-1.7
-8	78	1.4
-6	78	-3.4
-4	78	-9.4
-2	78	0.8
0	78	0.6
2	78	-8
4	78	-1.7
6	78	1.5
8	78	-1.7
10	78	-4.9
12	78	0.6
14	78	1
16	78	-1.8
18	78	0.1
20	78	2.2
22	78	1.5
24	78	0.6
26	78	2.1
28	78	2.7
30	78	1.8
32	78	1.9
34	78	2.9
36	78	2.9
38	78	2.1
40	78	2.3
42	78	3
44	78	2.8
46	78	2.5
48	78	3.3
50	78	4.4

52	78	4.2
54	78	3.1
56	78	3.1
58	78	4.8
60	78	6.2
62	78	6.4
64	78	5.6
66	78	4.8
68	78	5.2
70	78	6.1
72	78	6.4
74	78	6
76	78	5.2
78	78	4.9
80	78	5.2
82	78	6
84	78	6.5
86	78	6.4
88	78	5.7
90	78	4.8
92	78	4.4
94	78	4.9
96	78	5.6
98	78	6
100	78	5.7
102	78	5
104	78	5
106	78	5.9
108	78	6.7
110	78	6.4
112	78	4.8
114	78	2.5
116	78	2.5
118	78	4.2
120	78	4.9
122	78	4
124	78	2.8
126	78	2.9
128	78	3.3
130	78	2.9
132	78	2.3
134	78	2.7
136	78	2.8
138	78	1.7
140	78	1.4
142	78	2.8
144	78	2.7
146	78	0.7
148	78	1.1
150	78	2.8
152	78	1.5
154	78	-2.5
156	78	0
158	78	1.7
160	78	-2.3
162	78	-5.8
164	78	0.7
166	78	0.1
168	78	-10.8
170	78	-1.9
172	78	1.4
174	78	-3.5
176	78	-9.2
178	78	0.9
180	78	0.7
-180	80	0.8
-178	80	-7.2
-176	80	-2.1
-174	80	1.4
-172	80	-1.5
-170	80	-4.7
-168	80	0.5
-166	80	0.7
-164	80	-2.6
-162	80	-0.4
-160	80	2
-158	80	1.3
-156	80	0.6
-154	80	2.3
-152	80	3
-150	80	2.2
-148	80	2.3
-146	80	3.2
-144	80	3.1
-142	80	2.5
-140	80	2.7
-138	80	3.1
-136	80	2.7
-134	80	2.8
-132	80	3.9
-130	80	4.5
-128	80	3.9
-126	80	2.7
-124	80	3.2
-122	80	4.9
-120	80	6
-118	80	5.9
-116	80	5
-114	80	4.5
-112	80	5.3
-110	80	6.3
-108	80	6.5
-106	80	5.8
-104	80	4.8
-102	80	4.4
-100	80	4.8
-98	80	5.7
-96	80	6.3
-94	80	6.3
-92	80	5.7
-90	80	4.7
-88	80	4.1
-86	80	4.4
-84	80	5.3
-82	80	6
-80	80	6
-78	80	5.1
-76	80	4.4
-74	80	5.1
-72	80	6.2
-70	80	6.6
-68	80	5.7
-66	80	3.7
-64	80	2.5
-62	80	3.7
-60	80	4.9
-58	80	4.6
-56	80	3.3
-54	80	2.7
-52	80	3.2
-50	80	3
-48	80	2.5
-46	80	2.8
-44	80	3
-42	80	2.3
-40	80	1.8
-38	80	2.8
-36	80	2.8

-34	80	0.9
-32	80	0.7
-30	80	2.6
-28	80	1.7
-26	80	-2.2
-24	80	-0.4
-22	80	1.8
-20	80	-1.2
-18	80	-6.3
-16	80	0.3
-14	80	0.4
-12	80	-8.6
-10	80	-2.5
-8	80	1.3
-6	80	-2.8
-4	80	-11.3
-2	80	0.5
0	80	0.7
2	80	-6.9
4	80	-1.9
6	80	1.4
8	80	-1.5
10	80	-4.6
12	80	0.5
14	80	0.6
16	80	-2.7
18	80	-0.2
20	80	2.1
22	80	1.3
24	80	0.5
26	80	2.2
28	80	2.9
30	80	2.2
32	80	2.2
34	80	3.1
36	80	3
38	80	2.5
40	80	2.7
42	80	3.1
44	80	2.8
46	80	2.8
48	80	3.8
50	80	4.5
52	80	3.8
54	80	2.6
56	80	3.1
58	80	5
60	80	6
62	80	5.9
64	80	4.9
66	80	4.5
68	80	5.4
70	80	6.4
72	80	6.5
74	80	5.8
76	80	4.8
78	80	4.4
80	80	4.8
82	80	5.7
84	80	6.4
86	80	6.4
88	80	5.7
90	80	4.7
92	80	4.1
94	80	4.4
96	80	5.3
98	80	6
100	80	6
102	80	5.2
104	80	4.5
106	80	5.1
108	80	6.2
110	80	6.5
112	80	5.6
114	80	3.5
116	80	2.3
118	80	3.7
120	80	5
122	80	4.7
124	80	3.3
126	80	2.7
128	80	3.1
130	80	3
132	80	2.4
134	80	2.7
136	80	3.1
138	80	2.3
140	80	1.8
142	80	2.8
144	80	2.9
146	80	0.8
148	80	0.5
150	80	2.6
152	80	1.8
154	80	-2.5
156	80	-0.5
158	80	1.8
160	80	-1.2
162	80	-6.5
164	80	0.4
166	80	0.5
168	80	-8.3
170	80	-2.6
172	80	1.3
174	80	-2.9
176	80	-11
178	80	0.7
180	80	0.8
-180	82	0.5
-178	82	-7
-176	82	-2.5
-174	82	1.2
-172	82	-1.6
-170	82	-4.4
-168	82	0.8
-166	82	1
-164	82	-2.2
-162	82	0
-160	82	2.3
-158	82	1.6
-156	82	0.5
-154	82	1.9
-152	82	2.6
-150	82	2.1
-148	82	2.3
-146	82	3
-144	82	2.9
-142	82	2.8
-140	82	3.3
-138	82	3.6
-136	82	3
-134	82	3
-132	82	4.2
-130	82	4.6
-128	82	3.6
-126	82	2.2
-124	82	3
-122	82	4.8

-120	82	5.7
-118	82	5.3
-116	82	4.2
-114	82	4.1
-112	82	5.4
-110	82	6.5
-108	82	6.6
-106	82	6
-104	82	5
-102	82	4.6
-100	82	5
-98	82	5.8
-96	82	6.4
-94	82	6.5
-92	82	6
-90	82	5.2
-88	82	4.5
-86	82	4.5
-84	82	5.2
-82	82	6
-80	82	6
-78	82	5.2
-76	82	4
-74	82	3.9
-72	82	5.2
-70	82	6
-68	82	5.7
-66	82	4
-64	82	2.4
-62	82	3.3
-60	82	4.7
-58	82	4.8
-56	82	3.7
-54	82	3
-52	82	3.4
-50	82	3.4
-48	82	2.7
-46	82	2.6
-44	82	3
-42	82	2.3
-40	82	1.5
-38	82	2.2
-36	82	2.6
-34	82	0.9
-32	82	0.2
-30	82	2
-28	82	1.4
-26	82	-2.8
-24	82	-1.1
-22	82	1.7
-20	82	-1
-18	82	-6.5
-16	82	0.4
-14	82	1.1
-12	82	-6.5
-10	82	-3.6
-8	82	1.1
-6	82	-2.2
-4	82	-14.4
-2	82	-0.1
0	82	0.4
2	82	-7
4	82	-2.2
6	82	1.3
8	82	-1.6
10	82	-4.3
12	82	0.7
14	82	0.9
16	82	-2.2
18	82	0.1
20	82	2.2
22	82	1.3
24	82	0.3
26	82	2
28	82	2.7
30	82	2.1
32	82	2.3
34	82	3
36	82	3
38	82	2.8
40	82	3.4
42	82	3.6
44	82	3
46	82	3.1
48	82	4.2
50	82	4.6
52	82	3.6
54	82	2.2
56	82	3
58	82	4.9
60	82	5.7
62	82	5.3
64	82	4.3
66	82	4.2
68	82	5.4
70	82	6.5
72	82	6.6
74	82	5.9
76	82	5
78	82	4.6
80	82	5
82	82	5.8
84	82	6.4
86	82	6.4
88	82	6
90	82	5.2
92	82	4.5
94	82	4.5
96	82	5.3
98	82	6
100	82	6.2
102	82	5.4
104	82	4.1
106	82	4
108	82	5.1
110	82	6
112	82	5.6
114	82	3.9
116	82	2.2
118	82	3.2
120	82	4.8
122	82	4.8
124	82	3.7
126	82	2.9
128	82	3.4
130	82	3.3
132	82	2.6
134	82	2.6
136	82	3.1
138	82	2.5
140	82	1.6
142	82	2.3
144	82	2.7
146	82	0.9
148	82	0.1
150	82	2
152	82	1.5
154	82	-3

156	82	-1.1
158	82	1.7
160	82	-1
162	82	-7
164	82	0.5
166	82	1.2
168	82	-6.2
170	82	-3.8
172	82	1.2
174	82	-2
176	82	-15.3
178	82	-0.1
180	82	0.5
-180	84	0.4
-178	84	-7.2
-176	84	-2.7
-174	84	1.2
-172	84	-1.5
-170	84	-4.5
-168	84	0.9
-166	84	1.4
-164	84	-1.6
-162	84	0
-160	84	2.2
-158	84	1.5
-156	84	0.6
-154	84	2.1
-152	84	2.6
-150	84	2
-148	84	2.3
-146	84	3.1
-144	84	2.9
-142	84	2.7
-140	84	3.4
-138	84	3.7
-136	84	3.2
-134	84	3.3
-132	84	4.5
-130	84	4.9
-128	84	3.9
-126	84	2.6
-124	84	3.6
-122	84	5.3
-120	84	5.9
-118	84	5.2
-116	84	4.1
-114	84	4.1
-112	84	5.5
-110	84	6.6
-108	84	6.8
-106	84	6.1
-104	84	5.2
-102	84	4.9
-100	84	5.2
-98	84	5.8
-96	84	6.3
-94	84	6.4
-92	84	6.1
-90	84	5.4
-88	84	4.8
-86	84	4.7
-84	84	5.3
-82	84	6
-80	84	6.3
-78	84	5.6
-76	84	4.2
-74	84	3.6
-72	84	4.7
-70	84	5.8
-68	84	5.8
-66	84	4.6
-64	84	2.8
-62	84	3
-60	84	4.5
-58	84	4.8
-56	84	3.8
-54	84	3.1
-52	84	3.4
-50	84	3.4
-48	84	2.5
-46	84	2.4
-44	84	2.9
-42	84	2.4
-40	84	1.2
-38	84	1.7
-36	84	2.3
-34	84	0.8
-32	84	-0.3
-30	84	1.6
-28	84	1.5
-26	84	-2.2
-24	84	-1.3
-22	84	1.6
-20	84	-0.7
-18	84	-7
-16	84	0
-14	84	1.1
-12	84	-6.2
-10	84	-4.5
-8	84	1
-6	84	-1.9
-4	84	-16.3
-2	84	-0.3
0	84	0.4
2	84	-7
4	84	-2.4
6	84	1.3
8	84	-1.6
10	84	-4.4
12	84	0.9
14	84	1.4
16	84	-1.5
18	84	0
20	84	2.1
22	84	1.4
24	84	0.8
26	84	2.3
28	84	2.7
30	84	2.1
32	84	2.4
34	84	3.2
36	84	2.9
38	84	2.6
40	84	3.4
42	84	3.8
44	84	3.2
46	84	3.4
48	84	4.6
50	84	5
52	84	4
54	84	2.6
56	84	3.6
58	84	5.3
60	84	5.9
62	84	5.3
64	84	4.1
66	84	4.2
68	84	5.6

70	84	6.7
72	84	6.8
74	84	6.1
76	84	5.2
78	84	4.8
80	84	5.1
82	84	5.7
84	84	6.2
86	84	6.4
88	84	6.1
90	84	5.5
92	84	5
94	84	4.8
96	84	5.3
98	84	6.1
100	84	6.3
102	84	5.7
104	84	4.3
106	84	3.7
108	84	4.6
110	84	5.7
112	84	5.8
114	84	4.5
116	84	2.6
118	84	2.9
120	84	4.4
122	84	4.7
124	84	3.7
126	84	3
128	84	3.4
130	84	3.3
132	84	2.6
134	84	2.6
136	84	3.2
138	84	2.6
140	84	1.2
142	84	1.7
144	84	2.4
146	84	0.9
148	84	-0.4
150	84	1.6
152	84	1.6
154	84	-2.1
156	84	-1.5
158	84	1.5
160	84	-0.7
162	84	-7.2
164	84	-0.1
166	84	0.9
168	84	-6.3
170	84	-4.5
172	84	1
174	84	-1.8
176	84	-16.7
178	84	-0.4
180	84	0.4
-180	86	0.7
-178	86	-6.3
-176	86	-3.1
-174	86	1.2
-172	86	-1.2
-170	86	-5.5
-168	86	0
-166	86	0.6
-164	86	-2.3
-162	86	-0.3
-160	86	2
-158	86	1.4
-156	86	0.9
-154	86	2.3
-152	86	2.7
-150	86	1.9
-148	86	2.2
-146	86	3.1
-144	86	2.9
-142	86	2.5
-140	86	3.2
-138	86	3.7
-136	86	3.3
-134	86	3.6
-132	86	4.7
-130	86	5.1
-128	86	4.1
-126	86	3.1
-124	86	4.1
-122	86	5.6
-120	86	6
-118	86	5.1
-116	86	4
-114	86	4.3
-112	86	5.7
-110	86	6.7
-108	86	6.7
-106	86	6
-104	86	5.3
-102	86	5
-100	86	5.3
-98	86	5.8
-96	86	6.2
-94	86	6.3
-92	86	6.1
-90	86	5.6
-88	86	5.1
-86	86	4.9
-84	86	5.3
-82	86	6.1
-80	86	6.5
-78	86	6
-76	86	4.7
-74	86	3.6
-72	86	4.3
-70	86	5.7
-68	86	6.1
-66	86	5.2
-64	86	3.4
-62	86	3
-60	86	4.4
-58	86	5
-56	86	4.3
-54	86	3.2
-52	86	3.1
-50	86	3.1
-48	86	2.3
-46	86	2.1
-44	86	2.7
-42	86	2.3
-40	86	1.2
-38	86	1.9
-36	86	2.7
-34	86	1.3
-32	86	-0.4
-30	86	1.5
-28	86	1.9
-26	86	-1.5
-24	86	-2.1
-22	86	1.2
-20	86	-0.4
-18	86	-7

-16	86	-0.8
-14	86	0.7
-12	86	-6
-10	86	-5.1
-8	86	0.8
-6	86	-2
-4	86	-16.8
-2	86	-0.2
0	86	0.8
2	86	-6.1
4	86	-3
6	86	1.2
8	86	-1.2
10	86	-5.2
12	86	0.1
14	86	0.7
16	86	-2.1
18	86	-0.2
20	86	2.1
22	86	1.4
24	86	0.9
26	86	2.4
28	86	2.7
30	86	2
32	86	2.3
34	86	3.1
36	86	2.9
38	86	2.5
40	86	3.2
42	86	3.6
44	86	3.3
46	86	3.7
48	86	4.9
50	86	5.2
52	86	4.1
54	86	3.1
56	86	4.2
58	86	5.7
60	86	6
62	86	5.1
64	86	4
66	86	4.3
68	86	5.7
70	86	6.7
72	86	6.7
74	86	6
76	86	5.2
78	86	5.1
80	86	5.4
82	86	5.8
84	86	6.1
86	86	6.2
88	86	6
90	86	5.6
92	86	5.2
94	86	5
96	86	5.4
98	86	6.1
100	86	6.5
102	86	6
104	86	4.7
106	86	3.6
108	86	4.3
110	86	5.7
112	86	6.1
114	86	5.1
116	86	3.3
118	86	2.9
120	86	4.3
122	86	4.8
124	86	4.1
126	86	3.1
128	86	3.1
130	86	3.1
132	86	2.3
134	86	2.2
136	86	2.9
138	86	2.5
140	86	1.2
142	86	1.7
144	86	2.7
146	86	1.4
148	86	-0.3
150	86	1.5
152	86	1.8
154	86	-1.4
156	86	-2
158	86	1.2
160	86	-0.4
162	86	-6.8
164	86	-0.8
166	86	0.6
168	86	-6.2
170	86	-5
172	86	0.8
174	86	-1.8
176	86	-17.5
178	86	-0.4
180	86	0.7
-180	88	0.6
-178	88	-5.8
-176	88	-4
-174	88	0.7
-172	88	-1.5
-170	88	-6.1
-168	88	-0.6
-166	88	0.1
-164	88	-2.8
-162	88	-0.7
-160	88	1.7
-158	88	0.9
-156	88	0.2
-154	88	2
-152	88	2.6
-150	88	1.8
-148	88	2
-146	88	2.9
-144	88	3
-142	88	2.7
-140	88	3.1
-138	88	3.3
-136	88	2.9
-134	88	3.4
-132	88	4.6
-130	88	4.9
-128	88	3.8
-126	88	2.9
-124	88	4.2
-122	88	5.7
-120	88	5.9
-118	88	5
-116	88	3.9
-114	88	4.3
-112	88	5.8
-110	88	6.7
-108	88	6.7
-106	88	6
-104	88	5.3

-102	88	5.2
-100	88	5.5
-98	88	5.9
-96	88	6.2
-94	88	6.2
-92	88	6.1
-90	88	5.7
-88	88	5.3
-86	88	5.1
-84	88	5.4
-82	88	6.2
-80	88	6.7
-78	88	6.4
-76	88	5.2
-74	88	3.9
-72	88	4.2
-70	88	5.6
-68	88	6.3
-66	88	5.6
-64	88	3.7
-62	88	2.8
-60	88	4.1
-58	88	5
-56	88	4.3
-54	88	3
-52	88	2.9
-50	88	3.1
-48	88	2.5
-46	88	2.1
-44	88	2.7
-42	88	2.6
-40	88	1.5
-38	88	1.8
-36	88	2.7
-34	88	1.6
-32	88	-0.2
-30	88	1.5
-28	88	2.1
-26	88	-1.1
-24	88	-3
-22	88	0.8
-20	88	-0.1
-18	88	-6.7
-16	88	-1.4
-14	88	0.6
-12	88	-4.9
-10	88	-5.5
-8	88	0.7
-6	88	-1.4
-4	88	-22.8
-2	88	-0.9
0	88	0.6
2	88	-5.6
4	88	-3.8
6	88	0.8
8	88	-1.4
10	88	-6
12	88	-0.5
14	88	0.2
16	88	-2.6
18	88	-0.6
20	88	1.7
22	88	1
24	88	0.2
26	88	1.9
28	88	2.6
30	88	2
32	88	2.2
34	88	3
36	88	3
38	88	2.7
40	88	3
42	88	3.2
44	88	3
46	88	3.5
48	88	4.7
50	88	4.9
52	88	3.8
54	88	2.9
56	88	4.3
58	88	5.8
60	88	6
62	88	5
64	88	3.8
66	88	4.3
68	88	5.7
70	88	6.7
72	88	6.7
74	88	6
76	88	5.3
78	88	5.2
80	88	5.5
82	88	5.8
84	88	6.1
86	88	6.2
88	88	6.1
90	88	5.8
92	88	5.4
94	88	5.2
96	88	5.5
98	88	6.2
100	88	6.7
102	88	6.4
104	88	5.2
106	88	3.9
108	88	4.2
110	88	5.6
112	88	6.3
114	88	5.5
116	88	3.6
118	88	2.7
120	88	4.1
122	88	4.9
124	88	4.2
126	88	2.9
128	88	2.9
130	88	3.1
132	88	2.6
134	88	2.2
136	88	2.8
138	88	2.6
140	88	1.5
142	88	1.7
144	88	2.6
146	88	1.6
148	88	0
150	88	1.6
152	88	2.1
154	88	-1.2
156	88	-3.1
158	88	0.9
160	88	0
162	88	-6.8
164	88	-1.6
166	88	0.6
168	88	-4.8
170	88	-5.6
172	88	0.6

174	88	-1.4
176	88	-24.6
178	88	-1
180	88	0.6
-180	90	0.2
-178	90	-5.7
-176	90	-4.5
-174	90	0.4
-172	90	-1.5
-170	90	-5.4
-168	90	-0.3
-166	90	0.4
-164	90	-2.9
-162	90	-1.4
-160	90	1.3
-158	90	0.8
-156	90	-0.1
-154	90	1.5
-152	90	2.3
-150	90	1.7
-148	90	1.8
-146	90	2.5
-144	90	2.6
-142	90	2.6
-140	90	3.1
-138	90	3.2
-136	90	2.8
-134	90	3.3
-132	90	4.6
-130	90	4.9
-128	90	3.8
-126	90	2.8
-124	90	4
-122	90	5.6
-120	90	5.9
-118	90	4.9
-116	90	3.6
-114	90	3.9
-112	90	5.4
-110	90	6.5
-108	90	6.6
-106	90	6
-104	90	5.3
-102	90	5.2
-100	90	5.5
-98	90	5.8
-96	90	6
-94	90	6.1
-92	90	5.9
-90	90	5.6
-88	90	5.3
-86	90	5
-84	90	5.2
-82	90	5.9
-80	90	6.4
-78	90	6.2
-76	90	5.1
-74	90	3.8
-72	90	3.8
-70	90	5.2
-68	90	6.1
-66	90	5.6
-64	90	3.8
-62	90	2.7
-60	90	4
-58	90	4.8
-56	90	4.1
-54	90	2.7
-52	90	2.5
-50	90	3.1
-48	90	2.6
-46	90	2
-44	90	2.7
-42	90	2.9
-40	90	1.9
-38	90	1.7
-36	90	2.4
-34	90	1.6
-32	90	-0.2
-30	90	1.1
-28	90	1.8
-26	90	-1.5
-24	90	-3.3
-22	90	0.8
-20	90	0
-18	90	-6.9
-16	90	-1.4
-14	90	1.1
-12	90	-3.6
-10	90	-6.8
-8	90	0.5
-6	90	-0.9
-4	90	-22.5
-2	90	-2.1
0	90	0.2
2	90	-5.6
4	90	-4.6
6	90	0.4
8	90	-1.5
10	90	-5.5
12	90	-0.3
14	90	0.5
16	90	-2.6
18	90	-1.4
20	90	1.4
22	90	0.9
24	90	-0.1
26	90	1.4
28	90	2.4
30	90	1.9
32	90	1.8
34	90	2.6
36	90	2.6
38	90	2.6
40	90	3
42	90	3.2
44	90	2.8
46	90	3.3
48	90	4.5
50	90	4.8
52	90	3.7
54	90	2.7
56	90	4
58	90	5.6
60	90	5.9
62	90	4.9
64	90	3.6
66	90	3.9
68	90	5.3
70	90	6.4
72	90	6.5
74	90	6
76	90	5.4
78	90	5.2
80	90	5.4
82	90	5.7
84	90	5.9
86	90	6

88	90	5.9
90	90	5.7
92	90	5.3
94	90	5
96	90	5.2
98	90	5.9
100	90	6.4
102	90	6.2
104	90	5.1
106	90	3.7
108	90	3.8
110	90	5.2
112	90	6
114	90	5.5
116	90	3.7
118	90	2.7
120	90	3.9
122	90	4.8
124	90	4.1
126	90	2.7
128	90	2.7
130	90	3.1
132	90	2.6
134	90	2.1
136	90	2.7
138	90	2.8
140	90	1.8
142	90	1.6
144	90	2.4
146	90	1.5
148	90	-0.2
150	90	1.1
152	90	1.7
154	90	-1.5
156	90	-3.3
158	90	0.8
160	90	0
162	90	-6.9
164	90	-1.5
166	90	1.1
168	90	-3.6
170	90	-6.7
172	90	0.5
174	90	-0.8
176	90	-22.6
178	90	-2
180	90	0.2
-180	92	0.6
-178	92	-5.2
-176	92	-5.1
-174	92	0.5
-172	92	-1.1
-170	92	-6
-168	92	-0.3
-166	92	0.9
-164	92	-1.9
-162	92	-1.1
-160	92	1.6
-158	92	1.3
-156	92	0.1
-154	92	1.3
-152	92	2.1
-150	92	1.6
-148	92	1.7
-146	92	2.4
-144	92	2.4
-142	92	2.4
-140	92	3.2
-138	92	3.6
-136	92	3.1
-134	92	3.3
-132	92	4.6
-130	92	5.1
-128	92	4.2
-126	92	2.9
-124	92	3.9
-122	92	5.5
-120	92	6
-118	92	5.2
-116	92	3.8
-114	92	3.8
-112	92	5.2
-110	92	6.3
-108	92	6.6
-106	92	6.2
-104	92	5.7
-102	92	5.5
-100	92	5.7
-98	92	5.9
-96	92	6.1
-94	92	6.2
-92	92	6.2
-90	92	6
-88	92	5.6
-86	92	5.3
-84	92	5.3
-82	92	5.9
-80	92	6.4
-78	92	6.2
-76	92	5.1
-74	92	3.6
-72	92	3.5
-70	92	4.7
-68	92	5.6
-66	92	5.2
-64	92	3.6
-62	92	2.6
-60	92	3.7
-58	92	4.6
-56	92	4.1
-54	92	3
-52	92	2.9
-50	92	3.1
-48	92	2.5
-46	92	1.9
-44	92	2.5
-42	92	2.7
-40	92	1.6
-38	92	1.2
-36	92	2.1
-34	92	1.6
-32	92	-0.2
-30	92	0.8
-28	92	1.4
-26	92	-1.5
-24	92	-2.8
-22	92	0.8
-20	92	0
-18	92	-6.8
-16	92	-1.5
-14	92	1.1
-12	92	-3.4
-10	92	-7.9
-8	92	0.1
-6	92	-1
-4	92	-21.9
-2	92	-2.1
0	92	0.3

2	92	-5.5
4	92	-5
6	92	0.5
8	92	-1.1
10	92	-5.9
12	92	-0.4
14	92	0.9
16	92	-1.7
18	92	-1.1
20	92	1.6
22	92	1.4
24	92	0.3
26	92	1.3
28	92	2.1
30	92	1.6
32	92	1.6
34	92	2.4
36	92	2.4
38	92	2.4
40	92	3.2
42	92	3.6
44	92	3.2
46	92	3.3
48	92	4.5
50	92	5
52	92	4.2
54	92	3
56	92	3.9
58	92	5.5
60	92	6
62	92	5.2
64	92	3.9
66	92	3.8
68	92	5.1
70	92	6.3
72	92	6.6
74	92	6.2
76	92	5.7
78	92	5.5
80	92	5.6
82	92	5.8
84	92	6.1
86	92	6.2
88	92	6.2
90	92	6
92	92	5.7
94	92	5.3
96	92	5.4
98	92	6
100	92	6.5
102	92	6.2
104	92	5.1
106	92	3.6
108	92	3.4
110	92	4.8
112	92	5.6
114	92	5.2
116	92	3.5
118	92	2.5
120	92	3.7
122	92	4.6
124	92	4.1
126	92	3
128	92	2.9
130	92	3.2
132	92	2.6
134	92	2
136	92	2.5
138	92	2.6
140	92	1.4
142	92	1.2
144	92	2.1
146	92	1.5
148	92	-0.2
150	92	0.8
152	92	1.4
154	92	-1.5
156	92	-3
158	92	0.8
160	92	0.1
162	92	-6.9
164	92	-1.5
166	92	1.2
168	92	-3.2
170	92	-8
172	92	0.2
174	92	-0.9
176	92	-22.8
178	92	-1.8
180	92	0.6
-180	94	0.8
-178	94	-4.8
-176	94	-5.5
-174	94	0.7
-172	94	-0.8
-170	94	-7
-168	94	-0.5
-166	94	1.3
-164	94	-1.2
-162	94	-1.1
-160	94	1.6
-158	94	1.5
-156	94	0.5
-154	94	1.7
-152	94	2.5
-150	94	1.9
-148	94	1.9
-146	94	2.8
-144	94	2.7
-142	94	2.3
-140	94	2.9
-138	94	3.5
-136	94	3.4
-134	94	3.5
-132	94	4.6
-130	94	5.3
-128	94	4.6
-126	94	3.4
-124	94	4
-122	94	5.7
-120	94	6.4
-118	94	5.8
-116	94	4.6
-114	94	4.2
-112	94	5.1
-110	94	6.2
-108	94	6.5
-106	94	6.1
-104	94	5.5
-102	94	5.3
-100	94	5.4
-98	94	5.7
-96	94	6
-94	94	6.2
-92	94	6.1
-90	94	5.9
-88	94	5.6
-86	94	5.3

-84	94	5.5
-82	94	6.1
-80	94	6.7
-78	94	6.5
-76	94	5.5
-74	94	4.1
-72	94	4
-70	94	5.1
-68	94	5.9
-66	94	5.4
-64	94	3.9
-62	94	2.8
-60	94	3.7
-58	94	4.6
-56	94	4.3
-54	94	3.2
-52	94	2.9
-50	94	3.1
-48	94	2.6
-46	94	2.1
-44	94	2.6
-42	94	2.6
-40	94	1.5
-38	94	1.3
-36	94	2.2
-34	94	1.6
-32	94	-0.1
-30	94	0.8
-28	94	1.7
-26	94	-0.8
-24	94	-2.6
-22	94	0.7
-20	94	0.1
-18	94	-5.9
-16	94	-1.9
-14	94	0.7
-12	94	-3.8
-10	94	-7.3
-8	94	0.4
-6	94	-0.7
-4	94	-19.4
-2	94	-1.9
0	94	0.7
2	94	-4.8
4	94	-5.7
6	94	0.5
8	94	-0.9
10	94	-7
12	94	-0.7
14	94	1.2
16	94	-1.1
18	94	-1
20	94	1.7
22	94	1.7
24	94	0.7
26	94	1.6
28	94	2.4
30	94	1.9
32	94	1.8
34	94	2.6
36	94	2.6
38	94	2.3
40	94	2.9
42	94	3.5
44	94	3.4
46	94	3.5
48	94	4.6
50	94	5.2
52	94	4.6
54	94	3.4
56	94	4
58	94	5.6
60	94	6.4
62	94	5.8
64	94	4.6
66	94	4.1
68	94	5.1
70	94	6.2
72	94	6.6
74	94	6.2
76	94	5.5
78	94	5.2
80	94	5.4
82	94	5.6
84	94	6
86	94	6.2
88	94	6.2
90	94	6
92	94	5.6
94	94	5.3
96	94	5.4
98	94	6.1
100	94	6.7
102	94	6.5
104	94	5.5
106	94	4
108	94	3.8
110	94	5.1
112	94	5.9
114	94	5.5
116	94	3.8
118	94	2.7
120	94	3.7
122	94	4.7
124	94	4.3
126	94	3.2
128	94	2.9
130	94	3.1
132	94	2.6
134	94	2.2
136	94	2.7
138	94	2.5
140	94	1.3
142	94	1.1
144	94	2.2
146	94	1.6
148	94	-0.2
150	94	0.9
152	94	1.8
154	94	-0.7
156	94	-2.7
158	94	0.6
160	94	0.1
162	94	-5.7
164	94	-1.8
166	94	0.8
168	94	-3.7
170	94	-7.5
172	94	0.3
174	94	-0.8
176	94	-20.8
178	94	-1.7
180	94	0.8
-180	96	1
-178	96	-3.9
-176	96	-6.2
-174	96	0.6
-172	96	-0.4

-170	96	-6.7
-168	96	-1.3
-166	96	0.8
-164	96	-1.9
-162	96	-1.7
-160	96	1.5
-158	96	1.6
-156	96	0.4
-154	96	1.6
-152	96	2.6
-150	96	2
-148	96	1.7
-146	96	2.6
-144	96	2.8
-142	96	2.3
-140	96	2.6
-138	96	3.3
-136	96	3.2
-134	96	3.2
-132	96	4.3
-130	96	5.2
-128	96	4.7
-126	96	3.4
-124	96	3.5
-122	96	5.2
-120	96	6.2
-118	96	5.9
-116	96	4.8
-114	96	4
-112	96	4.7
-110	96	5.8
-108	96	6.2
-106	96	5.8
-104	96	5
-102	96	4.6
-100	96	4.8
-98	96	5.2
-96	96	5.7
-94	96	5.9
-92	96	5.8
-90	96	5.4
-88	96	5
-86	96	4.8
-84	96	5.1
-82	96	6
-80	96	6.6
-78	96	6.6
-76	96	5.6
-74	96	4.3
-72	96	4.2
-70	96	5.4
-68	96	6.1
-66	96	5.6
-64	96	3.9
-62	96	2.9
-60	96	4
-58	96	5
-56	96	4.6
-54	96	3.3
-52	96	2.6
-50	96	2.8
-48	96	2.6
-46	96	2.3
-44	96	2.7
-42	96	2.8
-40	96	1.8
-38	96	1.8
-36	96	2.6
-34	96	2
-32	96	0.2
-30	96	1.1
-28	96	2.1
-26	96	-0.3
-24	96	-3
-22	96	0.3
-20	96	0.2
-18	96	-5.3
-16	96	-2.3
-14	96	0.6
-12	96	-3.5
-10	96	-7.2
-8	96	0.4
-6	96	-0.5
-4	96	-17.8
-2	96	-2.1
0	96	0.9
2	96	-4.1
4	96	-6.2
6	96	0.6
8	96	-0.3
10	96	-7
12	96	-1.4
14	96	0.8
16	96	-1.8
18	96	-1.8
20	96	1.5
22	96	1.7
24	96	0.4
26	96	1.6
28	96	2.6
30	96	2
32	96	1.7
34	96	2.6
36	96	2.9
38	96	2.4
40	96	2.6
42	96	3.2
44	96	3.2
46	96	3.2
48	96	4.3
50	96	5.1
52	96	4.6
54	96	3.3
56	96	3.5
58	96	5.2
60	96	6.3
62	96	6
64	96	4.7
66	96	3.9
68	96	4.7
70	96	5.8
72	96	6.2
74	96	5.8
76	96	5.1
78	96	4.6
80	96	4.8
82	96	5.2
84	96	5.7
86	96	5.9
88	96	5.9
90	96	5.5
92	96	5
94	96	4.7
96	96	5
98	96	5.9
100	96	6.6
102	96	6.6
104	96	5.5

106	96	4.2
108	96	4.1
110	96	5.3
112	96	6.1
114	96	5.6
116	96	3.9
118	96	2.9
120	96	4.1
122	96	5
124	96	4.6
126	96	3.2
128	96	2.7
130	96	3
132	96	2.6
134	96	2.2
136	96	2.6
138	96	2.6
140	96	1.7
142	96	1.7
144	96	2.6
146	96	1.9
148	96	0
150	96	1.1
152	96	2.1
154	96	-0.4
156	96	-3
158	96	0.4
160	96	0.2
162	96	-5.6
164	96	-2.2
166	96	0.7
168	96	-3.5
170	96	-7.3
172	96	0.4
174	96	-0.4
176	96	-17.4
178	96	-2
180	96	1
-180	98	0.9
-178	98	-3.5
-176	98	-6.8
-174	98	0.4
-172	98	-0.2
-170	98	-6.2
-168	98	-1.4
-166	98	0.9
-164	98	-1.7
-162	98	-2.3
-160	98	1.3
-158	98	1.5
-156	98	-0.3
-154	98	0.9
-152	98	2.5
-150	98	2
-148	98	1.4
-146	98	2.3
-144	98	3
-142	98	2.7
-140	98	2.7
-138	98	3.2
-136	98	2.8
-134	98	2.5
-132	98	3.7
-130	98	4.9
-128	98	4.7
-126	98	3.2
-124	98	2.6
-122	98	4.4
-120	98	5.9
-118	98	6
-116	98	5
-114	98	4
-112	98	4.3
-110	98	5.5
-108	98	6.2
-106	98	6
-104	98	5.3
-102	98	4.7
-100	98	4.8
-98	98	5.3
-96	98	5.9
-94	98	6.2
-92	98	6.1
-90	98	5.6
-88	98	5
-86	98	4.6
-84	98	5
-82	98	5.8
-80	98	6.5
-78	98	6.3
-76	98	5.3
-74	98	4.1
-72	98	4.1
-70	98	5.2
-68	98	5.7
-66	98	5
-64	98	3.2
-62	98	2.4
-60	98	3.8
-58	98	4.7
-56	98	4.1
-54	98	2.7
-52	98	2.5
-50	98	3.1
-48	98	2.8
-46	98	2.4
-44	98	2.8
-42	98	2.8
-40	98	1.9
-38	98	1.8
-36	98	2.6
-34	98	1.9
-32	98	0.2
-30	98	1.1
-28	98	1.9
-26	98	-0.8
-24	98	-3.6
-22	98	0.4
-20	98	0.3
-18	98	-5.8
-16	98	-2.3
-14	98	1
-12	98	-2.5
-10	98	-7.9
-8	98	0.1
-6	98	-0.3
-4	98	-14.6
-2	98	-2.6
0	98	0.9
2	98	-3.4
4	98	-6.4
6	98	0.6
8	98	0
10	98	-6.4
12	98	-1.5
14	98	0.9
16	98	-1.7
18	98	-2.5

20	98	1.2
22	98	1.5
24	98	-0.1
26	98	1
28	98	2.4
30	98	2
32	98	1.4
34	98	2.4
36	98	3
38	98	2.6
40	98	2.6
42	98	3.1
44	98	2.9
46	98	2.5
48	98	3.6
50	98	4.8
52	98	4.6
54	98	3.1
56	98	2.6
58	98	4.5
60	98	6
62	98	6
64	98	5
66	98	4
68	98	4.4
70	98	5.6
72	98	6.3
74	98	6
76	98	5.3
78	98	4.7
80	98	4.7
82	98	5.3
84	98	5.9
86	98	6.3
88	98	6.2
90	98	5.7
92	98	5
94	98	4.6
96	98	4.9
98	98	5.8
100	98	6.5
102	98	6.3
104	98	5.2
106	98	3.9
108	98	4.1
110	98	5.2
112	98	5.7
114	98	4.9
116	98	3.1
118	98	2.5
120	98	4
122	98	4.8
124	98	4.1
126	98	2.6
128	98	2.6
130	98	3.2
132	98	2.8
134	98	2.3
136	98	2.7
138	98	2.7
140	98	1.7
142	98	1.7
144	98	2.7
146	98	2
148	98	0.1
150	98	1.2
152	98	2.1
154	98	-0.8
156	98	-3.7
158	98	0.5
160	98	0.4
162	98	-6.1
164	98	-2.3
166	98	1
168	98	-2.5
170	98	-8
172	98	0.1
174	98	-0.4
176	98	-15.2
178	98	-2.5
180	98	0.9
-180	100	0.7
-178	100	-3.3
-176	100	-7
-174	100	0.3
-172	100	0
-170	100	-5.8
-168	100	-1
-166	100	1.6
-164	100	-0.7
-162	100	-2.7
-160	100	1.1
-158	100	1.8
-156	100	0
-154	100	0.8
-152	100	2.6
-150	100	2.4
-148	100	1.5
-146	100	2.3
-144	100	3.1
-142	100	2.8
-140	100	2.9
-138	100	3.6
-136	100	3.5
-134	100	2.8
-132	100	3.5
-130	100	4.9
-128	100	5.2
-126	100	4
-124	100	2.6
-122	100	3.9
-120	100	5.8
-118	100	6.5
-116	100	5.9
-114	100	4.7
-112	100	4.4
-110	100	5.3
-108	100	6.2
-106	100	6.3
-104	100	5.8
-102	100	5.1
-100	100	5
-98	100	5.5
-96	100	6.2
-94	100	6.6
-92	100	6.5
-90	100	5.9
-88	100	5.2
-86	100	4.9
-84	100	5.2
-82	100	6
-80	100	6.4
-78	100	6
-76	100	4.9
-74	100	3.9
-72	100	4.4
-70	100	5.3
-68	100	5.4

-66	100	4.3
-64	100	2.5
-62	100	2.3
-60	100	3.7
-58	100	4.3
-56	100	3.4
-54	100	2.2
-52	100	2.5
-50	100	3.1
-48	100	2.7
-46	100	2.4
-44	100	2.9
-42	100	2.9
-40	100	1.7
-38	100	1.6
-36	100	2.4
-34	100	1.7
-32	100	-0.1
-30	100	0.8
-28	100	1.5
-26	100	-1.5
-24	100	-3.6
-22	100	0.8
-20	100	0.5
-18	100	-6.1
-16	100	-2
-14	100	1.4
-12	100	-2
-10	100	-9.1
-8	100	0.1
-6	100	0.2
-4	100	-11.8
-2	100	-3.2
0	100	0.9
2	100	-3.1
4	100	-7.3
6	100	0.5
8	100	0.2
10	100	-5.8
12	100	-1.2
14	100	1.6
16	100	-0.6
18	100	-2.6
20	100	1.1
22	100	1.8
24	100	0
26	100	0.7
28	100	2.6
30	100	2.4
32	100	1.5
34	100	2.2
36	100	2.9
38	100	2.7
40	100	2.9
42	100	3.6
44	100	3.6
46	100	2.8
48	100	3.4
50	100	4.9
52	100	5.2
54	100	3.9
56	100	2.5
58	100	3.9
60	100	5.8
62	100	6.5
64	100	5.9
66	100	4.8
68	100	4.5
70	100	5.4
72	100	6.2
74	100	6.3
76	100	5.7
78	100	5
80	100	4.9
82	100	5.4
84	100	6.1
86	100	6.6
88	100	6.5
90	100	6
92	100	5.2
94	100	4.8
96	100	5.2
98	100	5.9
100	100	6.4
102	100	6.1
104	100	4.9
106	100	3.9
108	100	4.3
110	100	5.3
112	100	5.4
114	100	4.3
116	100	2.5
118	100	2.3
120	100	3.7
122	100	4.2
124	100	3.2
126	100	2.2
128	100	2.7
130	100	3.1
132	100	2.6
134	100	2.2
136	100	2.9
138	100	2.9
140	100	1.6
142	100	1.6
144	100	2.6
146	100	1.8
148	100	-0.2
150	100	0.9
152	100	1.6
154	100	-1.4
156	100	-3.2
158	100	1
160	100	0.5
162	100	-6.5
164	100	-1.8
166	100	1.5
168	100	-2.1
170	100	-8.8
172	100	0.2
174	100	0.1
176	100	-12.1
178	100	-3.2
180	100	0.7
-180	102	1.1
-178	102	-2.6
-176	102	-8.1
-174	102	0.5
-172	102	0.5
-170	102	-6
-168	102	-1.5
-166	102	1.9
-164	102	0.2
-162	102	-2.3
-160	102	1.4
-158	102	2.5
-156	102	0.8
-154	102	0.8

-152	102	2.7
-150	102	2.6
-148	102	1.7
-146	102	2.3
-144	102	3.2
-142	102	2.8
-140	102	2.7
-138	102	3.7
-136	102	4
-134	102	3.3
-132	102	3.4
-130	102	4.8
-128	102	5.6
-126	102	4.7
-124	102	2.9
-122	102	3.2
-120	102	5.3
-118	102	6.7
-116	102	6.6
-114	102	5.6
-112	102	4.5
-110	102	4.7
-108	102	5.5
-106	102	5.9
-104	102	5.5
-102	102	4.8
-100	102	4.4
-98	102	4.8
-96	102	5.6
-94	102	6.1
-92	102	6.2
-90	102	5.7
-88	102	5.1
-86	102	4.8
-84	102	5.3
-82	102	6
-80	102	6.3
-78	102	5.9
-76	102	4.9
-74	102	4.4
-72	102	5.1
-70	102	5.8
-68	102	5.6
-66	102	4.2
-64	102	2.6
-62	102	2.8
-60	102	4
-58	102	4.2
-56	102	3.4
-54	102	2.6
-52	102	3
-50	102	3.1
-48	102	2.4
-46	102	2.3
-44	102	3
-42	102	2.8
-40	102	1.6
-38	102	1.7
-36	102	2.7
-34	102	1.8
-32	102	-0.1
-30	102	1.1
-28	102	1.8
-26	102	-1
-24	102	-2.6
-22	102	1.1
-20	102	0.6
-18	102	-5.7
-16	102	-1.5
-14	102	1.6
-12	102	-1.9
-10	102	-9.7
-8	102	0.3
-6	102	0.5
-4	102	-10.4
-2	102	-3.4
0	102	0.9
2	102	-2.8
4	102	-8
6	102	0.6
8	102	0.6
10	102	-6.1
12	102	-1.6
14	102	1.9
16	102	0
18	102	-2.3
20	102	1.4
22	102	2.5
24	102	0.8
26	102	0.9
28	102	2.8
30	102	2.7
32	102	1.6
34	102	2.3
36	102	3.1
38	102	2.8
40	102	2.7
42	102	3.8
44	102	4.2
46	102	3.5
48	102	3.4
50	102	4.8
52	102	5.6
54	102	4.8
56	102	2.9
58	102	3.1
60	102	5.3
62	102	6.6
64	102	6.6
66	102	5.6
68	102	4.6
70	102	4.8
72	102	5.6
74	102	5.9
76	102	5.4
78	102	4.7
80	102	4.3
82	102	4.8
84	102	5.6
86	102	6.1
88	102	6.2
90	102	5.7
92	102	5
94	102	4.8
96	102	5.3
98	102	6
100	102	6.3
102	102	5.9
104	102	4.9
106	102	4.4
108	102	5.1
110	102	5.8
112	102	5.5
114	102	4.1
116	102	2.5
118	102	2.8
120	102	3.9
122	102	4.1

124	102	3.3
126	102	2.7
128	102	3.1
130	102	3.2
132	102	2.4
134	102	2.3
136	102	3
138	102	2.7
140	102	1.4
142	102	1.8
144	102	2.9
146	102	1.8
148	102	-0.2
150	102	1.1
152	102	1.8
154	102	-1.2
156	102	-2.5
158	102	1.3
160	102	0.7
162	102	-5.7
164	102	-1.3
166	102	1.7
168	102	-2
170	102	-9.4
172	102	0.4
174	102	0.5
176	102	-10.8
178	102	-3.3
180	102	1.1
-180	104	1.5
-178	104	-1.7
-176	104	-9.4
-174	104	0.4
-172	104	1.1
-170	104	-5.4
-168	104	-2.9
-166	104	1.7
-164	104	0.5
-162	104	-2.4
-160	104	1.1
-158	104	2.6
-156	104	1.1
-154	104	0.6
-152	104	2.6
-150	104	2.8
-148	104	1.6
-146	104	2
-144	104	3.1
-142	104	2.7
-140	104	1.9
-138	104	2.8
-136	104	3.7
-134	104	3.1
-132	104	2.6
-130	104	3.9
-128	104	5.2
-126	104	5.1
-124	104	3.4
-122	104	2.3
-120	104	4.2
-118	104	6.1
-116	104	6.7
-114	104	6
-112	104	4.8
-110	104	4.1
-108	104	4.5
-106	104	4.9
-104	104	4.8
-102	104	4.2
-100	104	3.8
-98	104	3.9
-96	104	4.5
-94	104	5.1
-92	104	5.2
-90	104	4.9
-88	104	4.4
-86	104	4.4
-84	104	4.9
-82	104	5.5
-80	104	5.7
-78	104	5.3
-76	104	4.7
-74	104	4.7
-72	104	5.6
-70	104	6.3
-68	104	5.8
-66	104	4.3
-64	104	2.8
-62	104	3.2
-60	104	4.3
-58	104	4.4
-56	104	3.4
-54	104	2.6
-52	104	2.7
-50	104	2.8
-48	104	2.4
-46	104	2.7
-44	104	3.2
-42	104	2.7
-40	104	1.6
-38	104	2.2
-36	104	3.1
-34	104	1.9
-32	104	0.2
-30	104	1.8
-28	104	2.5
-26	104	-0.3
-24	104	-2.3
-22	104	1.3
-20	104	0.8
-18	104	-5.3
-16	104	-1.5
-14	104	1.7
-12	104	-1.8
-10	104	-8.7
-8	104	0.6
-6	104	0.9
-4	104	-9.3
-2	104	-3.5
0	104	1.4
2	104	-1.8
4	104	-9.8
6	104	0.3
8	104	1
10	104	-5.5
12	104	-2.9
14	104	1.7
16	104	0.4
18	104	-2.4
20	104	1.2
22	104	2.7
24	104	1.1
26	104	0.6
28	104	2.5
30	104	2.8
32	104	1.6
34	104	1.9
36	104	3

38	104	2.6
40	104	1.9
42	104	2.8
44	104	3.6
46	104	3.1
48	104	2.6
50	104	3.9
52	104	5.2
54	104	5.1
56	104	3.4
58	104	2.3
60	104	4.2
62	104	6.1
64	104	6.7
66	104	6.1
68	104	4.9
70	104	4.3
72	104	4.6
74	104	5
76	104	4.8
78	104	4.2
80	104	3.8
82	104	3.9
84	104	4.5
86	104	5.1
88	104	5.2
90	104	4.9
92	104	4.5
94	104	4.5
96	104	4.9
98	104	5.5
100	104	5.7
102	104	5.3
104	104	4.6
106	104	4.7
108	104	5.7
110	104	6.3
112	104	5.7
114	104	4.1
116	104	2.7
118	104	3.3
120	104	4.3
122	104	4.3
124	104	3.4
126	104	2.7
128	104	2.9
130	104	2.8
132	104	2.3
134	104	2.6
136	104	3.2
138	104	2.7
140	104	1.5
142	104	2.2
144	104	3.1
146	104	1.9
148	104	0.1
150	104	1.7
152	104	2.4
154	104	-0.4
156	104	-2
158	104	1.3
160	104	0.7
162	104	-5.5
164	104	-1.3
166	104	1.7
168	104	-1.9
170	104	-8.6
172	104	0.7
174	104	0.9
176	104	-9.6
178	104	-3.3
180	104	1.5
-180	106	1.6
-178	106	-0.8
-176	106	-10.5
-174	106	0
-172	106	1.5
-170	106	-3.6
-168	106	-4.1
-166	106	1.1
-164	106	0.5
-162	106	-3
-160	106	0.3
-158	106	2.4
-156	106	1.2
-154	106	0.3
-152	106	2.4
-150	106	3
-148	106	1.6
-146	106	1.2
-144	106	2.6
-142	106	2.7
-140	106	1.9
-138	106	2.1
-136	106	3.1
-134	106	2.9
-132	106	1.8
-130	106	2.7
-128	106	4.7
-126	106	5.4
-124	106	4.4
-122	106	2.6
-120	106	3
-118	106	5.2
-116	106	6.6
-114	106	6.6
-112	106	5.7
-110	106	4.7
-108	106	4.6
-106	106	5.1
-104	106	5.5
-102	106	5.5
-100	106	5.2
-98	106	5
-96	106	5.1
-94	106	5.3
-92	106	5.4
-90	106	5.2
-88	106	5.1
-86	106	5.2
-84	106	5.3
-82	106	5.3
-80	106	4.9
-78	106	4.1
-76	106	3.6
-74	106	4.3
-72	106	5.5
-70	106	6
-68	106	5.3
-66	106	3.7
-64	106	2.6
-62	106	3.5
-60	106	4.3
-58	106	3.9
-56	106	2.6
-54	106	1.7
-52	106	2
-50	106	2.1

-48	106	2
-46	106	2.4
-44	106	2.9
-42	106	2.3
-40	106	1.5
-38	106	2.5
-36	106	3.1
-34	106	1.7
-32	106	0.3
-30	106	2.2
-28	106	2.6
-26	106	-0.6
-24	106	-2.6
-22	106	1.2
-20	106	0.7
-18	106	-5.7
-16	106	-1.8
-14	106	1.5
-12	106	-1.9
-10	106	-8.4
-8	106	0.6
-6	106	1.1
-4	106	-8.5
-2	106	-3.8
0	106	1.6
2	106	-0.9
4	106	-10.8
6	106	0
8	106	1.5
10	106	-3.7
12	106	-4.2
14	106	1.2
16	106	0.6
18	106	-3
20	106	0.3
22	106	2.4
24	106	1.2
26	106	0.2
28	106	2.3
30	106	3
32	106	1.6
34	106	1.2
36	106	2.5
38	106	2.7
40	106	1.8
42	106	2
44	106	3.1
46	106	2.9
48	106	1.9
50	106	2.6
52	106	4.6
54	106	5.3
56	106	4.4
58	106	2.6
60	106	3
62	106	5.2
64	106	6.6
66	106	6.6
68	106	5.7
70	106	4.7
72	106	4.6
74	106	5.1
76	106	5.5
78	106	5.5
80	106	5.2
82	106	5
84	106	5.1
86	106	5.3
88	106	5.4
90	106	5.2
92	106	5.1
94	106	5.2
96	106	5.3
98	106	5.2
100	106	4.8
102	106	4.1
104	106	3.7
106	106	4.4
108	106	5.6
110	106	6
112	106	5.2
114	106	3.5
116	106	2.6
118	106	3.5
120	106	4.3
122	106	3.8
124	106	2.4
126	106	1.6
128	106	2
130	106	2.2
132	106	2
134	106	2.4
136	106	2.9
138	106	2.3
140	106	1.5
142	106	2.4
144	106	3.1
146	106	1.7
148	106	0.4
150	106	2.2
152	106	2.5
154	106	-0.9
156	106	-2.5
158	106	1.4
160	106	0.8
162	106	-6.1
164	106	-1.9
166	106	1.6
168	106	-1.8
170	106	-8.5
172	106	0.7
174	106	1.1
176	106	-8.4
178	106	-3.7
180	106	1.6
-180	108	1.5
-178	108	-0.5
-176	108	-9.8
-174	108	-0.2
-172	108	1.7
-170	108	-2.4
-168	108	-4.4
-166	108	1
-164	108	1
-162	108	-2.5
-160	108	-0.3
-158	108	2.3
-156	108	1.4
-154	108	-0.1
-152	108	2
-150	108	3.1
-148	108	2.1
-146	108	1.2
-144	108	2.4
-142	108	3.1
-140	108	2.5
-138	108	2.5
-136	108	3.5

-134	108	3.8
-132	108	2.7
-130	108	2.3
-128	108	4.2
-126	108	5.7
-124	108	5.6
-122	108	4.1
-120	108	3
-118	108	4.5
-116	108	6.3
-114	108	7
-112	108	6.5
-110	108	5.5
-108	108	5.1
-106	108	5.5
-104	108	6.2
-102	108	6.5
-100	108	6.4
-98	108	6
-96	108	5.7
-94	108	5.7
-92	108	5.8
-90	108	6
-88	108	6.3
-86	108	6.6
-84	108	6.5
-82	108	5.8
-80	108	4.8
-78	108	3.7
-76	108	3.7
-74	108	4.7
-72	108	5.7
-70	108	5.7
-68	108	4.5
-66	108	2.9
-64	108	2.9
-62	108	4
-60	108	4.2
-58	108	3.1
-56	108	1.5
-54	108	1.3
-52	108	2.1
-50	108	2.2
-48	108	1.8
-46	108	1.9
-44	108	2
-42	108	1.4
-40	108	1.1
-38	108	2.3
-36	108	2.5
-34	108	0.8
-32	108	-0.1
-30	108	1.9
-28	108	1.8
-26	108	-2.4
-24	108	-2.8
-22	108	1.3
-20	108	0.3
-18	108	-7.1
-16	108	-1.5
-14	108	1.7
-12	108	-1.6
-10	108	-9.3
-8	108	0.3
-6	108	1
-4	108	-7.7
-2	108	-4.4
0	108	1.6
2	108	-0.3
4	108	-10
6	108	-0.5
8	108	1.7
10	108	-2.4
12	108	-4.7
14	108	1
16	108	1
18	108	-2.5
20	108	-0.3
22	108	2.3
24	108	1.5
26	108	-0.1
28	108	1.9
30	108	3.1
32	108	2.1
34	108	1.1
36	108	2.4
38	108	3.1
40	108	2.4
42	108	2.4
44	108	3.6
46	108	3.9
48	108	2.8
50	108	2.3
52	108	4.2
54	108	5.7
56	108	5.6
58	108	4
60	108	3
62	108	4.5
64	108	6.3
66	108	6.9
68	108	6.4
70	108	5.5
72	108	5.1
74	108	5.5
76	108	6.2
78	108	6.5
80	108	6.3
82	108	6
84	108	5.7
86	108	5.6
88	108	5.8
90	108	6
92	108	6.3
94	108	6.6
96	108	6.4
98	108	5.8
100	108	4.7
102	108	3.7
104	108	3.7
106	108	4.8
108	108	5.7
110	108	5.7
112	108	4.5
114	108	2.9
116	108	2.9
118	108	4
120	108	4.2
122	108	3
124	108	1.4
126	108	1.3
128	108	2
130	108	2.1
132	108	1.8
134	108	2.1
136	108	2.2
138	108	1.5
140	108	1.1

142	108	2.3
144	108	2.7
146	108	1.1
148	108	0
150	108	1.9
152	108	1.9
154	108	-2.3
156	108	-3.1
158	108	1.2
160	108	0.4
162	108	-7.2
164	108	-1.6
166	108	1.8
168	108	-1.4
170	108	-9.6
172	108	0.1
174	108	0.8
176	108	-8.1
178	108	-4.2
180	108	1.5
-180	110	1.3
-178	110	-0.4
-176	110	-9.3
-174	110	-0.7
-172	110	1.7
-170	110	-2
-168	110	-4.7
-166	110	1.1
-164	110	1.5
-162	110	-2
-160	110	-0.9
-158	110	2.1
-156	110	1.6
-154	110	-0.4
-152	110	1.2
-150	110	3
-148	110	2.5
-146	110	1.4
-144	110	2.2
-142	110	3
-140	110	2.6
-138	110	2.4
-136	110	3.7
-134	110	4.6
-132	110	3.8
-130	110	2.4
-128	110	3.5
-126	110	5.5
-124	110	6.2
-122	110	5.1
-120	110	3.1
-118	110	3.1
-116	110	4.9
-114	110	6.1
-112	110	6.2
-110	110	5.3
-108	110	4.5
-106	110	4.4
-104	110	5.1
-102	110	5.7
-100	110	5.8
-98	110	5.3
-96	110	4.6
-94	110	4.2
-92	110	4.4
-90	110	5.1
-88	110	5.9
-86	110	6.3
-84	110	6.2
-82	110	5.5
-80	110	4.4
-78	110	3.9
-76	110	4.5
-74	110	5.5
-72	110	6
-70	110	5.5
-68	110	4.3
-66	110	3.4
-64	110	4
-62	110	4.8
-60	110	4.6
-58	110	3.4
-56	110	2.4
-54	110	2.6
-52	110	3
-50	110	2.7
-48	110	2.2
-46	110	2.2
-44	110	2.1
-42	110	1.4
-40	110	1.4
-38	110	2.2
-36	110	2
-34	110	0.1
-32	110	-0.3
-30	110	1.4
-28	110	0.7
-26	110	-3.8
-24	110	-2.1
-22	110	1.4
-20	110	-0.2
-18	110	-7.7
-16	110	-0.9
-14	110	1.9
-12	110	-1.5
-10	110	-10
-8	110	0.1
-6	110	1
-4	110	-7
-2	110	-5.4
0	110	1.1
2	110	-0.5
4	110	-9.8
6	110	-0.8
8	110	1.7
10	110	-2
12	110	-5.2
14	110	1
16	110	1.6
18	110	-1.8
20	110	-1
22	110	2.2
24	110	1.7
26	110	-0.5
28	110	1.1
30	110	3
32	110	2.6
34	110	1.3
36	110	2.1
38	110	3.1
40	110	2.6
42	110	2.3
44	110	3.7
46	110	4.7
48	110	4
50	110	2.5
52	110	3.5
54	110	5.5

56	110	6.2
58	110	5.1
60	110	3
62	110	2.9
64	110	4.9
66	110	6.1
68	110	6.1
70	110	5.3
72	110	4.5
74	110	4.5
76	110	5.2
78	110	5.8
80	110	5.8
82	110	5.2
84	110	4.5
86	110	4.1
88	110	4.4
90	110	5.1
92	110	5.9
94	110	6.3
96	110	6.2
98	110	5.5
100	110	4.4
102	110	3.9
104	110	4.5
106	110	5.5
108	110	6
110	110	5.6
112	110	4.3
114	110	3.5
116	110	4.1
118	110	4.8
120	110	4.5
122	110	3.2
124	110	2.3
126	110	2.6
128	110	3
130	110	2.6
132	110	2.2
134	110	2.3
136	110	2.1
138	110	1.3
140	110	1.3
142	110	2.4
144	110	2.2
146	110	0.2
148	110	-0.3
150	110	1.6
152	110	1
154	110	-3.6
156	110	-2
158	110	1.6
160	110	0
162	110	-7.9
164	110	-0.9
166	110	2
168	110	-1.3
170	110	-9.9
172	110	0.1
174	110	0.9
176	110	-7.5
178	110	-4.9
180	110	1.3
-180	112	0.9
-178	112	-0.6
-176	112	-10.3
-174	112	-0.9
-172	112	1.9
-170	112	-1.3
-168	112	-6.4
-166	112	0.4
-164	112	1.6
-162	112	-1.5
-160	112	-1.7
-158	112	2
-156	112	2.2
-154	112	-0.1
-152	112	0.3
-150	112	2.5
-148	112	2.5
-146	112	1
-144	112	1.3
-142	112	2.5
-140	112	2.3
-138	112	1.5
-136	112	2.7
-134	112	4.3
-132	112	4.2
-130	112	2.7
-128	112	2.2
-126	112	4.4
-124	112	5.9
-122	112	5.8
-120	112	4
-118	112	1.7
-116	112	2.2
-114	112	4.1
-112	112	5.2
-110	112	5.3
-108	112	4.7
-106	112	4.1
-104	112	4.2
-102	112	4.8
-100	112	5.3
-98	112	5.1
-96	112	4.6
-94	112	4
-92	112	3.8
-90	112	4.1
-88	112	4.6
-86	112	4.9
-84	112	4.7
-82	112	4
-80	112	3.6
-78	112	3.9
-76	112	4.7
-74	112	5.3
-72	112	5.1
-70	112	4.2
-68	112	3.1
-66	112	3.2
-64	112	4.4
-62	112	5
-60	112	4.7
-58	112	3.7
-56	112	3.3
-54	112	3.6
-52	112	3.6
-50	112	3
-48	112	2.6
-46	112	2.7
-44	112	2.5
-42	112	1.8
-40	112	2
-38	112	2.5
-36	112	1.9
-34	112	0.1
-32	112	0.5

-30	112	1.8
-28	112	0.6
-26	112	-3.2
-24	112	-0.8
-22	112	1.7
-20	112	-0.4
-18	112	-7.2
-16	112	-0.3
-14	112	2.1
-12	112	-1.5
-10	112	-11.1
-8	112	-0.1
-6	112	0.9
-4	112	-6.4
-2	112	-6.2
0	112	0.8
2	112	-0.5
4	112	-9.6
6	112	-1
8	112	1.7
10	112	-1.6
12	112	-6.6
14	112	0.6
16	112	1.8
18	112	-1.5
20	112	-1.8
22	112	2
24	112	2.3
26	112	-0.1
28	112	0.2
30	112	2.5
32	112	2.5
34	112	1
36	112	1.3
38	112	2.7
40	112	2.4
42	112	1.4
44	112	2.6
46	112	4.4
48	112	4.4
50	112	2.7
52	112	2.2
54	112	4.4
56	112	5.9
58	112	5.7
60	112	3.8
62	112	1.5
64	112	2.1
66	112	4.1
68	112	5.2
70	112	5.3
72	112	4.7
74	112	4.2
76	112	4.4
78	112	5
80	112	5.3
82	112	5.1
84	112	4.5
86	112	3.9
88	112	3.8
90	112	4.2
92	112	4.7
94	112	5
96	112	4.7
98	112	4
100	112	3.5
102	112	3.9
104	112	4.8
106	112	5.3
108	112	5.2
110	112	4.3
112	112	3.2
114	112	3.3
116	112	4.4
118	112	5
120	112	4.6
122	112	3.7
124	112	3.3
126	112	3.6
128	112	3.6
130	112	2.9
132	112	2.5
134	112	2.7
136	112	2.5
138	112	1.7
140	112	1.9
142	112	2.7
144	112	2.1
146	112	0.1
148	112	0.3
150	112	1.9
152	112	0.8
154	112	-3.3
156	112	-0.8
158	112	1.9
160	112	-0.1
162	112	-7.1
164	112	-0.4
166	112	2.1
168	112	-1.6
170	112	-11
172	112	0
174	112	0.9
176	112	-6.7
178	112	-5.9
180	112	0.9
-180	114	0.9
-178	114	0
-176	114	-9.6
-174	114	-1.7
-172	114	2
-170	114	-0.4
-168	114	-8.1
-166	114	-0.5
-164	114	1.9
-162	114	-0.5
-160	114	-2.4
-158	114	1.6
-156	114	2.9
-154	114	1.1
-152	114	-0.1
-150	114	2.1
-148	114	2.8
-146	114	1.7
-144	114	1.1
-142	114	2.5
-140	114	2.8
-138	114	1.7
-136	114	1.8
-134	114	3.8
-132	114	4.7
-130	114	3.8
-128	114	1.8
-126	114	2.6
-124	114	5.1
-122	114	6.3
-120	114	5.8
-118	114	3.8

-116	114	1.9
-114	114	2.7
-112	114	4.6
-110	114	5.7
-108	114	5.9
-106	114	5.4
-104	114	5
-102	114	5.1
-100	114	5.6
-98	114	6
-96	114	6
-94	114	5.9
-92	114	5.6
-90	114	5.3
-88	114	5
-86	114	4.7
-84	114	4.4
-82	114	4.3
-80	114	4.6
-78	114	5.2
-76	114	5.5
-74	114	5.2
-72	114	4.1
-70	114	2.7
-68	114	1.9
-66	114	2.7
-64	114	3.8
-62	114	4.1
-60	114	3.6
-58	114	2.8
-56	114	2.7
-54	114	3.1
-52	114	3
-50	114	2.5
-48	114	2.4
-46	114	2.6
-44	114	2.2
-42	114	1.7
-40	114	2.1
-38	114	2.6
-36	114	1.7
-34	114	0.2
-32	114	1.1
-30	114	2.3
-28	114	0.9
-26	114	-2.7
-24	114	-0.4
-22	114	1.8
-20	114	-0.6
-18	114	-7.2
-16	114	-0.1
-14	114	2.1
-12	114	-1.6
-10	114	-11.7
-8	114	-0.1
-6	114	1
-4	114	-5.9
-2	114	-6.4
0	114	1
2	114	0.2
4	114	-9.5
6	114	-1.9
8	114	1.9
10	114	-0.4
12	114	-8.2
14	114	-0.4
16	114	1.9
18	114	-0.5
20	114	-2.5
22	114	1.7
24	114	2.9
26	114	1
28	114	-0.3
30	114	2.1
32	114	2.9
34	114	1.6
36	114	0.9
38	114	2.4
40	114	2.8
42	114	1.7
44	114	1.7
46	114	3.8
48	114	4.8
50	114	3.9
52	114	1.8
54	114	2.6
56	114	5.2
58	114	6.3
60	114	5.7
62	114	3.7
64	114	1.8
66	114	2.7
68	114	4.7
70	114	5.8
72	114	6
74	114	5.5
76	114	5
78	114	5.1
80	114	5.6
82	114	5.9
84	114	6
86	114	5.9
88	114	5.7
90	114	5.4
92	114	5.1
94	114	4.8
96	114	4.4
98	114	4.2
100	114	4.6
102	114	5.2
104	114	5.5
106	114	5.2
108	114	4
110	114	2.5
112	114	1.8
114	114	2.7
116	114	3.8
118	114	4.1
120	114	3.5
122	114	2.7
124	114	2.7
126	114	3.2
128	114	3
130	114	2.4
132	114	2.4
134	114	2.7
136	114	2.3
138	114	1.6
140	114	2
142	114	2.8
144	114	2
146	114	0.3
148	114	1.1
150	114	2.4
152	114	0.9
154	114	-2.7
156	114	-0.2
158	114	1.9

160	114	-0.7
162	114	-7.3
164	114	0
166	114	2.2
168	114	-1.7
170	114	-11.6
172	114	0
174	114	1.1
176	114	-5.9
178	114	-6.4
180	114	0.9
-180	116	1.4
-178	116	1.2
-176	116	-7.1
-174	116	-3
-172	116	2.1
-170	116	1
-168	116	-6.1
-166	116	-1.6
-164	116	2
-162	116	0.6
-160	116	-2.4
-158	116	1
-156	116	3
-154	116	2
-152	116	0.3
-150	116	2.2
-148	116	3.7
-146	116	3.1
-144	116	2
-142	116	2.8
-140	116	3.6
-138	116	2.8
-136	116	1.6
-134	116	3
-132	116	4.9
-130	116	4.9
-128	116	3
-126	116	1.2
-124	116	3.2
-122	116	5.6
-120	116	6.4
-118	116	5.7
-116	116	3.9
-114	116	2.4
-112	116	3.2
-110	116	4.8
-108	116	5.5
-106	116	5.3
-104	116	4.6
-102	116	4
-100	116	4
-98	116	4.5
-96	116	5.1
-94	116	5.5
-92	116	5.5
-90	116	5.3
-88	116	4.8
-86	116	4.4
-84	116	4.4
-82	116	4.9
-80	116	5.7
-78	116	6.3
-76	116	6.4
-74	116	5.7
-72	116	4.4
-70	116	3.3
-68	116	3.3
-66	116	3.9
-64	116	4.1
-62	116	3.5
-60	116	2.3
-58	116	1.6
-56	116	1.8
-54	116	2
-52	116	1.8
-50	116	1.6
-48	116	2
-46	116	2.2
-44	116	1.7
-42	116	1.4
-40	116	2.3
-38	116	2.8
-36	116	1.6
-34	116	0.1
-32	116	1.3
-30	116	2.3
-28	116	0.5
-26	116	-3
-24	116	-0.2
-22	116	1.6
-20	116	-1.4
-18	116	-7.8
-16	116	0
-14	116	1.9
-12	116	-2.3
-10	116	-10.9
-8	116	0.3
-6	116	1.4
-4	116	-5.1
-2	116	-6.8
0	116	1.3
2	116	1.1
4	116	-7.4
6	116	-3.1
8	116	2
10	116	0.8
12	116	-6.5
14	116	-1.6
16	116	2
18	116	0.6
20	116	-2.6
22	116	0.9
24	116	3
26	116	1.9
28	116	0.2
30	116	2.2
32	116	3.7
34	116	3
36	116	1.7
38	116	2.7
40	116	3.6
42	116	2.7
44	116	1.5
46	116	3.1
48	116	5
50	116	5.1
52	116	3
54	116	1
56	116	3.1
58	116	5.6
60	116	6.4
62	116	5.7
64	116	3.8
66	116	2.3
68	116	3.2
70	116	4.8
72	116	5.5

74	116	5.3
76	116	4.6
78	116	4
80	116	4.1
82	116	4.6
84	116	5.2
86	116	5.5
88	116	5.6
90	116	5.3
92	116	4.9
94	116	4.5
96	116	4.4
98	116	4.9
100	116	5.7
102	116	6.4
104	116	6.4
106	116	5.6
108	116	4.3
110	116	3.1
112	116	3.2
114	116	3.9
116	116	4.1
118	116	3.4
120	116	2.2
122	116	1.5
124	116	1.9
126	116	2.2
128	116	1.9
130	116	1.7
132	116	2
134	116	2.2
136	116	1.6
138	116	1.2
140	116	2.2
142	116	2.8
144	116	1.6
146	116	0
148	116	1.3
150	116	2.4
152	116	0.5
154	116	-3.2
156	116	-0.2
158	116	1.7
160	116	-1.3
162	116	-8.1
164	116	0.1
166	116	2
168	116	-2.3
170	116	-10.9
172	116	0.6
174	116	1.6
176	116	-5
178	116	-6.6
180	116	1.4
-180	118	1.7
-178	118	1.9
-176	118	-4.7
-174	118	-3.7
-172	118	2.2
-170	118	2
-168	118	-3.5
-166	118	-3.1
-164	118	1.5
-162	118	1.2
-160	118	-1.9
-158	118	0.2
-156	118	2.9
-154	118	2.5
-152	118	0.6
-150	118	1.6
-148	118	3.5
-146	118	3.5
-144	118	2.2
-142	118	2.4
-140	118	3.6
-138	118	3.3
-136	118	1.4
-134	118	1.2
-132	118	3.8
-130	118	5.1
-128	118	4.4
-126	118	1.7
-124	118	-0.1
-122	118	2.8
-120	118	5.3
-118	118	6.1
-116	118	5.6
-114	118	4
-112	118	2.6
-110	118	2.9
-108	118	3.9
-106	118	4.4
-104	118	4
-102	118	3.1
-100	118	2.2
-98	118	2.2
-96	118	2.9
-94	118	3.8
-92	118	4.3
-90	118	4.2
-88	118	3.8
-86	118	3.4
-84	118	3.5
-82	118	4.1
-80	118	4.9
-78	118	5.5
-76	118	5.5
-74	118	4.7
-72	118	3.8
-70	118	3.7
-68	118	4.4
-66	118	5
-64	118	4.7
-62	118	3.7
-60	118	2.6
-58	118	2.3
-56	118	2.5
-54	118	2.4
-52	118	1.9
-50	118	1.8
-48	118	2.2
-46	118	2.1
-44	118	1.6
-42	118	2
-40	118	2.9
-38	118	2.8
-36	118	1.2
-34	118	0.2
-32	118	1.8
-30	118	2.2
-28	118	-0.6
-26	118	-4
-24	118	0.2
-22	118	1.5
-20	118	-2.2
-18	118	-7.6
-16	118	0.4
-14	118	1.9

-12	118	-2.8
-10	118	-9.4
-8	118	0.7
-6	118	1.7
-4	118	-4.7
-2	118	-7.1
0	118	1.6
2	118	1.9
4	118	-4.6
6	118	-4.3
8	118	1.9
10	118	1.7
12	118	-3.8
14	118	-2.9
16	118	1.5
18	118	1
20	118	-2.2
22	118	0.2
24	118	2.9
26	118	0.5
28	118	2.5
30	118	1.7
32	118	3.6
34	118	3.5
36	118	2.1
38	118	2.4
40	118	3.7
42	118	3.4
44	118	1.5
46	118	1.3
48	118	3.8
50	118	5.1
52	118	4.3
54	118	1.5
56	118	-0.4
58	118	2.7
60	118	5.3
62	118	6.2
64	118	5.6
66	118	4
68	118	2.6
70	118	2.8
72	118	3.8
74	118	4.3
76	118	4
78	118	3.1
80	118	2.4
82	118	2.3
84	118	2.9
86	118	3.7
88	118	4.1
90	118	4.1
92	118	3.7
94	118	3.3
96	118	3.5
98	118	4.1
100	118	5
102	118	5.5
104	118	5.4
106	118	4.6
108	118	3.7
110	118	3.5
112	118	4.3
114	118	4.9
116	118	4.7
118	118	3.6
120	118	2.5
122	118	2.3
124	118	2.6
126	118	2.4
128	118	2
130	118	2.1
132	118	2.4
134	118	2.1
136	118	1.5
138	118	1.9
140	118	2.9
142	118	2.8
144	118	1
146	118	-0.1
148	118	1.6
150	118	2.2
152	118	-0.5
154	118	-4.2
156	118	-0.1
158	118	1.3
160	118	-2.5
162	118	-7.7
164	118	0.6
166	118	2
168	118	-2.8
170	118	-9.8
172	118	0.8
174	118	1.8
176	118	-4.6
178	118	-6.8
180	118	1.7
-180	120	1.6
-178	120	2.2
-176	120	-3.1
-174	120	-4.5
-172	120	1.8
-170	120	2.3
-168	120	-2.2
-166	120	-3.7
-164	120	1.2
-162	120	1.5
-160	120	-1.6
-158	120	-0.9
-156	120	2.5
-154	120	2.9
-152	120	0.7
-150	120	0.2
-148	120	2.5
-146	120	3.1
-144	120	1.8
-142	120	1.1
-140	120	2.8
-138	120	3.7
-136	120	2.5
-134	120	0.1
-132	120	1.3
-130	120	4.2
-128	120	5.2
-126	120	4.3
-124	120	1.6
-122	120	0
-120	120	3
-118	120	5.6
-116	120	6.5
-114	120	6.1
-112	120	4.9
-110	120	3.8
-108	120	3.7
-106	120	4.2
-104	120	4.6
-102	120	4.5
-100	120	4.1

-98	120	3.7
-96	120	3.6
-94	120	3.9
-92	120	4.3
-90	120	4.5
-88	120	4.6
-86	120	4.7
-84	120	4.9
-82	120	4.9
-80	120	4.5
-78	120	3.9
-76	120	2.8
-74	120	1.7
-72	120	1.6
-70	120	2.8
-68	120	4
-66	120	4.5
-64	120	4
-62	120	3.1
-60	120	2.6
-58	120	2.9
-56	120	3.2
-54	120	3
-52	120	2.7
-50	120	2.8
-48	120	2.7
-46	120	2.3
-44	120	2.1
-42	120	2.7
-40	120	3.2
-38	120	2.3
-36	120	0.3
-34	120	0.5
-32	120	2.2
-30	120	1.9
-28	120	-1.9
-26	120	-3.9
-24	120	0.6
-22	120	1.3
-20	120	-3.5
-18	120	-6.1
-16	120	1.2
-14	120	2.1
-12	120	-2.8
-10	120	-8.6
-8	120	0.8
-6	120	1.7
-4	120	-4.4
-2	120	-7.7
0	120	1.4
2	120	2.1
4	120	-3.3
6	120	-4.7
8	120	1.7
10	120	2.1
12	120	-2.3
14	120	-3.6
16	120	1.2
18	120	1.5
20	120	-1.8
22	120	-0.9
24	120	2.5
26	120	2.8
28	120	0.6
30	120	0.2
32	120	2.6
34	120	3.1
36	120	1.7
38	120	1.1
40	120	3
42	120	3.9
44	120	2.6
46	120	0
48	120	1.2
50	120	4.2
52	120	5.3
54	120	4.4
56	120	1.5
58	120	-0.1
60	120	3
62	120	5.6
64	120	6.6
66	120	6.2
68	120	4.9
70	120	3.6
72	120	3.5
74	120	4.1
76	120	4.5
78	120	4.5
80	120	4.1
82	120	3.7
84	120	3.6
86	120	3.8
88	120	4.2
90	120	4.4
92	120	4.5
94	120	4.6
96	120	4.8
98	120	4.8
100	120	4.5
102	120	3.8
104	120	2.7
106	120	1.5
108	120	1.3
110	120	2.6
112	120	3.9
114	120	4.5
116	120	4.1
118	120	3.2
120	120	2.7
122	120	3
124	120	3.2
126	120	3
128	120	2.8
130	120	2.8
132	120	2.8
134	120	2.3
136	120	2
138	120	2.7
140	120	3.2
142	120	2.3
144	120	0.1
146	120	0.3
148	120	2.2
150	120	1.9
152	120	-2
154	120	-4
156	120	0.6
158	120	1.2
160	120	-3.9
162	120	-6.5
164	120	1.2
166	120	2.2
168	120	-2.8
170	120	-9.1
172	120	0.8
174	120	1.7
176	120	-4.5

178	120	-7.4
180	120	1.6
-180	122	1
-178	122	1.9
-176	122	-2.8
-174	122	-5.2
-172	122	1.5
-170	122	2.4
-168	122	-1.2
-166	122	-3.8
-164	122	1.1
-162	122	2.1
-160	122	-0.8
-158	122	-2.5
-156	122	1.6
-154	122	3
-152	122	1.5
-150	122	-0.5
-148	122	1.5
-146	122	3.1
-144	122	2.4
-142	122	0.5
-140	122	1.5
-138	122	3.6
-136	122	3.9
-134	122	2
-132	122	0
-130	122	2.4
-128	122	5.1
-126	122	5.9
-124	122	4.8
-122	122	2.1
-120	122	0.7
-118	122	3.2
-116	122	5.5
-114	122	6.2
-112	122	5.9
-110	122	4.8
-108	122	3.7
-106	122	3.4
-104	122	4
-102	122	4.6
-100	122	4.9
-98	122	4.8
-96	122	4.3
-94	122	3.8
-92	122	3.7
-90	122	4.1
-88	122	4.8
-86	122	5.7
-84	122	6.2
-82	122	6.1
-80	122	5.3
-78	122	3.8
-76	122	2.2
-74	122	1.7
-72	122	2.6
-70	122	3.7
-68	122	4.1
-66	122	3.6
-64	122	2.5
-62	122	1.7
-60	122	1.9
-58	122	2.7
-56	122	3
-54	122	2.8
-52	122	2.7
-50	122	2.8
-48	122	2.6
-46	122	2.2
-44	122	2.4
-42	122	3
-40	122	2.8
-38	122	1.3
-36	122	-0.1
-34	122	1.3
-32	122	2.5
-30	122	1.1
-28	122	-3.7
-26	122	-2.5
-24	122	1.4
-22	122	1.1
-20	122	-4.8
-18	122	-4.3
-16	122	1.8
-14	122	2.3
-12	122	-3
-10	122	-9.1
-8	122	0.6
-6	122	1.5
-4	122	-4.4
-2	122	-8.6
0	122	1
2	122	1.9
4	122	-3
6	122	-5
8	122	1.5
10	122	2.4
12	122	-1.3
14	122	-3.7
16	122	1.2
18	122	2.1
20	122	-0.9
22	122	-2.5
24	122	1.6
26	122	2.9
28	122	1.3
30	122	-0.6
32	122	1.5
34	122	3.1
36	122	2.3
38	122	0.5
40	122	1.5
42	122	3.6
44	122	3.9
46	122	2.1
48	122	0.1
50	122	2.6
52	122	5.2
54	122	6
56	122	4.8
58	122	2
60	122	0.6
62	122	3.3
64	122	5.4
66	122	6.2
68	122	5.7
70	122	4.6
72	122	3.6
74	122	3.4
76	122	4
78	122	4.7
80	122	5
82	122	4.8
84	122	4.3
86	122	3.8
88	122	3.6
90	122	4

92	122	4.8
94	122	5.6
96	122	6.1
98	122	6
100	122	5.2
102	122	3.8
104	122	2.2
106	122	1.8
108	122	2.6
110	122	3.6
112	122	4
114	122	3.6
116	122	2.6
118	122	1.8
120	122	2.1
122	122	2.8
124	122	3.1
126	122	3
128	122	2.8
130	122	2.8
132	122	2.6
134	122	2.3
136	122	2.4
138	122	3
140	122	2.8
142	122	1.3
144	122	-0.2
146	122	1.1
148	122	2.3
150	122	0.9
152	122	-3.9
154	122	-2.7
156	122	1.4
158	122	1
160	122	-5
162	122	-4.6
164	122	1.8
166	122	2.3
168	122	-2.9
170	122	-9.3
172	122	0.5
174	122	1.5
176	122	-4.2
178	122	-8.7
180	122	1
-180	124	0.6
-178	124	1.8
-176	124	-2.7
-174	124	-6.7
-172	124	1.2
-170	124	2.8
-168	124	-0.1
-166	124	-4.4
-164	124	0.7
-162	124	2.8
-160	124	0.9
-158	124	-3.1
-156	124	0.3
-154	124	3.1
-152	124	2.7
-150	124	0.3
-148	124	0.5
-146	124	2.9
-144	124	3.4
-142	124	1.7
-140	124	0.4
-138	124	2.4
-136	124	4
-134	124	3.5
-132	124	1.1
-130	124	0.1
-128	124	3.1
-126	124	5.3
-124	124	5.7
-122	124	4.3
-120	124	1.1
-118	124	-1.5
-116	124	0.9
-114	124	3.5
-112	124	4.8
-110	124	5.1
-108	124	4.8
-106	124	4.4
-104	124	4.4
-102	124	4.9
-100	124	5.4
-98	124	5.6
-96	124	5.3
-94	124	4.7
-92	124	4.1
-90	124	3.8
-88	124	4.1
-86	124	4.6
-84	124	4.9
-82	124	4.7
-80	124	4
-78	124	3.1
-76	124	3.1
-74	124	4.1
-72	124	5
-70	124	5.2
-68	124	4.6
-66	124	3.1
-64	124	1.8
-62	124	1.7
-60	124	2.4
-58	124	2.9
-56	124	2.7
-54	124	2.2
-52	124	1.9
-50	124	2
-48	124	2
-46	124	2
-44	124	2.4
-42	124	2.7
-40	124	2.1
-38	124	0.6
-36	124	0.4
-34	124	1.9
-32	124	2.2
-30	124	-0.3
-28	124	-4.9
-26	124	-0.8
-24	124	2
-22	124	0.8
-20	124	-6
-18	124	-2.6
-16	124	2.4
-14	124	2.3
-12	124	-3.6
-10	124	-9.3
-8	124	0.6
-6	124	1.5
-4	124	-4
-2	124	-9.4
0	124	0.6
2	124	1.7
4	124	-3

6	124	-6.3
8	124	1.4
10	124	2.8
12	124	-0.1
14	124	-4.5
16	124	0.7
18	124	2.7
20	124	0.8
22	124	-3.3
24	124	0.2
26	124	3
28	124	2.6
30	124	0.2
32	124	0.4
34	124	2.8
36	124	3.3
38	124	1.7
40	124	0.3
42	124	2.3
44	124	4
46	124	3.6
48	124	1.2
50	124	0.3
52	124	3.3
54	124	5.5
56	124	5.9
58	124	4.4
60	124	1.2
62	124	-1.3
64	124	0.9
66	124	3.5
68	124	4.8
70	124	5.1
72	124	4.8
74	124	4.5
76	124	4.5
78	124	5
80	124	5.5
82	124	5.6
84	124	5.3
86	124	4.7
88	124	4.1
90	124	3.8
92	124	4.1
94	124	4.6
96	124	4.9
98	124	4.7
100	124	3.9
102	124	3
104	124	3.1
106	124	4.2
108	124	5
110	124	5.2
112	124	4.5
114	124	3.1
116	124	1.8
118	124	1.8
120	124	2.6
122	124	3.1
124	124	2.9
126	124	2.3
128	124	2
130	124	2.1
132	124	2.1
134	124	2.1
136	124	2.5
138	124	2.8
140	124	2.1
142	124	0.6
144	124	0.4
146	124	1.8
148	124	2.1
150	124	-0.5
152	124	-5
154	124	-0.9
156	124	1.9
158	124	0.6
160	124	-6.3
162	124	-2.6
164	124	2.4
166	124	2.3
168	124	-3.5
170	124	-9.8
172	124	0.5
174	124	1.5
176	124	-3.8
178	124	-9.7
180	124	0.6
-180	126	0.5
-178	126	2
-176	126	-1.9
-174	126	-9.2
-172	126	0.6
-170	126	3.1
-168	126	1
-166	126	-4.9
-164	126	-0.5
-162	126	2.9
-160	126	2.3
-158	126	-1.5
-156	126	-1.1
-154	126	2.7
-152	126	3.5
-150	126	1.7
-148	126	-0.3
-146	126	1.7
-144	126	3.4
-142	126	2.9
-140	126	0.7
-138	126	0.5
-136	126	2.9
-134	126	3.9
-132	126	2.8
-130	126	-0.3
-128	126	-1
-126	126	2.6
-124	126	5
-122	126	5.6
-120	126	4.8
-118	126	2.6
-116	126	-0.1
-114	126	0.3
-112	126	2.9
-110	126	4.8
-108	126	5.5
-106	126	5.5
-104	126	5
-102	126	4.7
-100	126	4.8
-98	126	5.1
-96	126	5.4
-94	126	5.6
-92	126	5.7
-90	126	5.4
-88	126	4.7
-86	126	3.7
-84	126	2.5
-82	126	1.3

-80	126	0.9
-78	126	1.9
-76	126	3.5
-74	126	4.8
-72	126	5.2
-70	126	4.8
-68	126	3.5
-66	126	2.2
-64	126	2.1
-62	126	3
-60	126	3.6
-58	126	3.3
-56	126	2.3
-54	126	1.4
-52	126	1.5
-50	126	1.9
-48	126	2.1
-46	126	2.2
-44	126	2.2
-42	126	2.1
-40	126	1.4
-38	126	0.7
-36	126	1.2
-34	126	2.1
-32	126	1.3
-30	126	-2.1
-28	126	-3.5
-26	126	0.7
-24	126	2.2
-22	126	-0.1
-20	126	-7.1
-18	126	-1.3
-16	126	2.6
-14	126	2
-12	126	-5
-10	126	-7.9
-8	126	0.9
-6	126	1.7
-4	126	-3.7
-2	126	-9.9
0	126	0.5
2	126	2
4	126	-2.1
6	126	-8.6
8	126	0.8
10	126	3.1
12	126	0.9
14	126	-5.1
16	126	-0.4
18	126	3
20	126	2.3
22	126	-1.7
24	126	-1.2
26	126	2.7
28	126	3.6
30	126	1.7
32	126	-0.4
34	126	1.5
36	126	3.3
38	126	2.8
40	126	0.6
42	126	0.5
44	126	2.9
46	126	4
48	126	2.9
50	126	0
52	126	-0.7
54	126	2.8
56	126	5.2
58	126	5.8
60	126	5
62	126	2.8
64	126	0.1
66	126	0.3
68	126	2.9
70	126	4.7
72	126	5.5
74	126	5.5
76	126	5.1
78	126	4.8
80	126	4.8
82	126	5.1
84	126	5.4
86	126	5.7
88	126	5.7
90	126	5.4
92	126	4.8
94	126	3.8
96	126	2.5
98	126	1.3
100	126	0.9
102	126	1.8
104	126	3.4
106	126	4.7
108	126	5.2
110	126	4.7
112	126	3.5
114	126	2.2
116	126	2.1
118	126	3
120	126	3.6
122	126	3.3
124	126	2.3
126	126	1.6
128	126	1.7
130	126	2.1
132	126	2.2
134	126	2.2
136	126	2.3
138	126	2.2
140	126	1.4
142	126	0.6
144	126	1.2
146	126	2.2
148	126	1.5
150	126	-1.8
152	126	-3.5
154	126	0.6
156	126	2.2
158	126	-0.1
160	126	-7.2
162	126	-1.1
164	126	2.8
166	126	2.1
168	126	-4.7
170	126	-8.5
172	126	0.8
174	126	1.6
176	126	-3.7
178	126	-9.8
180	126	0.5
-180	128	0.7
-178	128	2.6
-176	128	-0.5
-174	128	-11.2
-172	128	-0.6
-170	128	2.9
-168	128	1.8

-166	128	-4.1
-164	128	-2.7
-162	128	2.3
-160	128	2.9
-158	128	0.2
-156	128	-2.4
-154	128	1.5
-152	128	3.6
-150	128	3
-148	128	0.6
-146	128	0.4
-144	128	2.5
-142	128	3.2
-140	128	1.8
-138	128	-0.4
-136	128	1
-134	128	3.4
-132	128	4.2
-130	128	2.9
-128	128	-0.3
-126	128	-1.2
-124	128	2.6
-122	128	5.3
-120	128	6.4
-118	128	6
-116	128	4.4
-114	128	2
-112	128	0.6
-110	128	1.5
-108	128	2.7
-106	128	2.9
-104	128	2.4
-102	128	1.4
-100	128	0.7
-98	128	0.9
-96	128	1.9
-94	128	3.2
-92	128	4.1
-90	128	4.4
-88	128	3.9
-86	128	3
-84	128	2.1
-82	128	2
-80	128	2.9
-78	128	3.9
-76	128	4.5
-74	128	4.5
-72	128	3.7
-70	128	2.3
-68	128	1
-66	128	1.3
-64	128	2.6
-62	128	3.5
-60	128	3.4
-58	128	2.4
-56	128	1.3
-54	128	1.2
-52	128	2
-50	128	2.5
-48	128	2.5
-46	128	2.3
-44	128	2.1
-42	128	1.7
-40	128	1.2
-38	128	1.1
-36	128	1.8
-34	128	1.9
-32	128	0.3
-30	128	-2.9
-28	128	-1.6
-26	128	1.6
-24	128	2
-22	128	-1.4
-20	128	-7.1
-18	128	-0.2
-16	128	2.7
-14	128	1.3
-12	128	-7.3
-10	128	-5.8
-8	128	1.5
-6	128	2
-4	128	-3.3
-2	128	-10.2
0	128	0.7
2	128	2.6
4	128	-0.5
6	128	-10.5
8	128	-0.5
10	128	2.9
12	128	1.8
14	128	-4.1
16	128	-2.6
18	128	2.3
20	128	2.9
22	128	0.2
24	128	-2.4
26	128	1.5
28	128	3.6
30	128	2.9
32	128	0.5
34	128	0.3
36	128	2.5
38	128	3.2
40	128	1.7
42	128	-0.6
44	128	0.9
46	128	3.5
48	128	4.3
50	128	3.1
52	128	-0.1
54	128	-1.3
56	128	2.6
58	128	5.4
60	128	6.5
62	128	6.1
64	128	4.5
66	128	2
68	128	0.5
70	128	1.4
72	128	2.6
74	128	2.9
76	128	2.3
78	128	1.4
80	128	0.7
82	128	0.9
84	128	2
86	128	3.2
88	128	4.1
90	128	4.4
92	128	3.9
94	128	3
96	128	2.1
98	128	2
100	128	2.8
102	128	3.8
104	128	4.5
106	128	4.5
108	128	3.8

110	128	2.4
112	128	1.1
114	128	1.4
116	128	2.7
118	128	3.5
120	128	3.4
122	128	2.4
124	128	1.4
126	128	1.4
128	128	2.2
130	128	2.6
132	128	2.4
134	128	2.2
136	128	2
138	128	1.7
140	128	1.1
142	128	0.9
144	128	1.6
146	128	1.9
148	128	0.4
150	128	-2.8
152	128	-1.7
154	128	1.5
156	128	1.8
158	128	-1.7
160	128	-7.2
162	128	0
164	128	2.9
166	128	1.5
168	128	-7
170	128	-6.1
172	128	1.4
174	128	1.9
176	128	-3.4
178	128	-10.1
180	128	0.7
-180	130	0.8
-178	130	3.1
-176	130	0.8
-174	130	-9.2
-172	130	-2.7
-170	130	2.4
-168	130	2.4
-166	130	-2
-164	130	-5.8
-162	130	0.6
-160	130	2.7
-158	130	1.2
-156	130	-2.6
-154	130	-0.6
-152	130	2.8
-150	130	3.5
-148	130	2
-146	130	0.2
-144	130	1.5
-142	130	3.2
-140	130	3.1
-138	130	1.1
-136	130	-1.1
-134	130	1.2
-132	130	3.8
-130	130	4.5
-128	130	3.3
-126	130	0
-124	130	-2.2
-122	130	1.4
-120	130	4.4
-118	130	5.7
-116	130	5.7
-114	130	4.6
-112	130	2.7
-110	130	0.9
-108	130	0.3
-106	130	1.2
-104	130	2.5
-102	130	3.4
-100	130	3.7
-98	130	3.4
-96	130	2.7
-94	130	1.8
-92	130	1.3
-90	130	1.1
-88	130	1.2
-86	130	1.9
-84	130	3.1
-82	130	4.3
-80	130	5.1
-78	130	5.2
-76	130	4.7
-74	130	3.3
-72	130	1.4
-70	130	0.1
-68	130	0.8
-66	130	2.2
-64	130	3
-62	130	2.9
-60	130	1.8
-58	130	0.6
-56	130	0.8
-54	130	1.9
-52	130	2.7
-50	130	2.7
-48	130	2.3
-46	130	2.1
-44	130	2.1
-42	130	1.8
-40	130	1.4
-38	130	1.3
-36	130	1.6
-34	130	1.2
-32	130	-0.9
-30	130	-3
-28	130	-0.6
-26	130	1.6
-24	130	1
-22	130	-3.5
-20	130	-5.8
-18	130	0.6
-16	130	2.6
-14	130	0.4
-12	130	-11.1
-10	130	-4
-8	130	2
-6	130	2.1
-4	130	-3.2
-2	130	-11
0	130	0.8
2	130	3.1
4	130	0.9
6	130	-8.7
8	130	-2.6
10	130	2.3
12	130	2.3
14	130	-2.1
16	130	-5.8
18	130	0.8
20	130	2.8
22	130	1.3

24	130	-2.6
26	130	-0.7
28	130	2.7
30	130	3.4
32	130	1.9
34	130	0.3
36	130	1.7
38	130	3.3
40	130	3.1
42	130	0.9
44	130	-1.2
46	130	1.3
48	130	3.9
50	130	4.6
52	130	3.4
54	130	0.1
56	130	-2.2
58	130	1.5
60	130	4.5
62	130	5.8
64	130	5.7
66	130	4.6
68	130	2.7
70	130	0.8
72	130	0.3
74	130	1.2
76	130	2.5
78	130	3.4
80	130	3.8
82	130	3.5
84	130	2.7
86	130	1.8
88	130	1.1
90	130	0.9
92	130	1
94	130	1.8
96	130	3
98	130	4.2
100	130	5
102	130	5.2
104	130	4.6
106	130	3.3
108	130	1.4
110	130	0.2
112	130	0.9
114	130	2.3
116	130	3.1
118	130	2.9
120	130	1.8
122	130	0.7
124	130	0.8
126	130	1.9
128	130	2.6
130	130	2.6
132	130	2.3
134	130	2.1
136	130	2.1
138	130	1.9
140	130	1.3
142	130	1.2
144	130	1.5
146	130	1.1
148	130	-1
150	130	-3.2
152	130	-0.7
154	130	1.5
156	130	0.9
158	130	-3.9
160	130	-6.1
162	130	0.6
164	130	2.6
166	130	0.4
168	130	-11.3
170	130	-4
172	130	1.9
174	130	2.1
176	130	-3.3
178	130	-10.7
180	130	0.8
-180	132	0.8
-178	132	3.3
-176	132	1.7
-174	132	-6.1
-172	132	-4.8
-170	132	1.9
-168	132	3
-166	132	0.2
-164	132	-6.9
-162	132	-1.8
-160	132	2
-158	132	1.9
-156	132	-1.2
-154	132	-3.1
-152	132	1
-150	132	3
-148	132	2.7
-146	132	0.7
-144	132	0.3
-142	132	2.5
-140	132	3.8
-138	132	3.2
-136	132	0.5
-134	132	-1.9
-132	132	0.8
-130	132	3.5
-128	132	4.4
-126	132	3.4
-124	132	0.5
-122	132	-4.2
-120	132	-2.7
-118	132	1.6
-116	132	4.1
-114	132	5.3
-112	132	5.5
-110	132	5.2
-108	132	4.6
-106	132	4.4
-104	132	4.8
-102	132	5.5
-100	132	6
-98	132	5.9
-96	132	5.4
-94	132	4.5
-92	132	3.7
-90	132	3.2
-88	132	3.3
-86	132	3.7
-84	132	4.3
-82	132	4.6
-80	132	4.4
-78	132	3.5
-76	132	2
-74	132	0.3
-72	132	0.1
-70	132	1.5
-68	132	2.9
-66	132	3.4
-64	132	2.9

-62	132	1.6
-60	132	0.2
-58	132	0.5
-56	132	1.9
-54	132	2.8
-52	132	3
-50	132	2.6
-48	132	2.2
-46	132	2.2
-44	132	2.3
-42	132	2
-40	132	1.5
-38	132	1.3
-36	132	1.1
-34	132	0.1
-32	132	-2.1
-30	132	-2.5
-28	132	0
-26	132	1.2
-24	132	-0.4
-22	132	-5.7
-20	132	-4
-18	132	1
-16	132	2.1
-14	132	-1
-12	132	-18.4
-10	132	-2.5
-8	132	2.3
-6	132	2.2
-4	132	-3.2
-2	132	-11.4
0	132	0.7
2	132	3.3
4	132	1.7
6	132	-6.1
8	132	-4.8
10	132	1.9
12	132	2.9
14	132	0.2
16	132	-6.6
18	132	-1.6
20	132	2
22	132	1.9
24	132	-1.4
26	132	-3.2
28	132	0.9
30	132	3
32	132	2.6
34	132	0.6
36	132	0.3
38	132	2.5
40	132	3.8
42	132	3.2
44	132	0.5
46	132	-1.9
48	132	0.8
50	132	3.6
52	132	4.5
54	132	3.6
56	132	0.7
58	132	-3.9
60	132	-2.6
62	132	1.7
64	132	4.2
66	132	5.3
68	132	5.6
70	132	5.2
72	132	4.6
74	132	4.3
76	132	4.7
78	132	5.5
80	132	6
82	132	6
84	132	5.5
86	132	4.6
88	132	3.7
90	132	3.2
92	132	3.3
94	132	3.8
96	132	4.3
98	132	4.6
100	132	4.4
102	132	3.4
104	132	1.8
106	132	0
108	132	-0.1
110	132	1.4
112	132	2.8
114	132	3.4
116	132	2.9
118	132	1.6
120	132	0.2
122	132	0.4
124	132	1.7
126	132	2.7
128	132	2.8
130	132	2.5
132	132	2.2
134	132	2.3
136	132	2.4
138	132	2
140	132	1.4
142	132	1.2
144	132	1.1
146	132	0.2
148	132	-2.1
150	132	-2.6
152	132	-0.1
154	132	1.2
156	132	-0.4
158	132	-6
160	132	-4.1
162	132	1
164	132	2.1
166	132	-1.1
168	132	-19.7
170	132	-2.4
172	132	2.3
174	132	2.2
176	132	-3.2
178	132	-11.1
180	132	0.8
-180	134	0.6
-178	134	3.5
-176	134	2.5
-174	134	-3.3
-172	134	-7.2
-170	134	1.1
-168	134	3.3
-166	134	1.9
-164	134	-3.6
-162	134	-4.6
-160	134	0.9
-158	134	2.3
-156	134	0.7
-154	134	-3.3
-152	134	-1.8
-150	134	1.7

-148	134	2.7
-146	134	1.4
-144	134	-0.9
-142	134	0.1
-140	134	2.8
-138	134	3.9
-136	134	3.2
-134	134	0.5
-132	134	-2.2
-130	134	0.1
-128	134	3.2
-126	134	4.6
-124	134	4.6
-122	134	3.1
-120	134	0.1
-118	134	-2.8
-116	134	-0.7
-114	134	2.6
-112	134	4.5
-110	134	5.2
-108	134	5.1
-106	134	4.3
-104	134	3.4
-102	134	2.7
-100	134	2.6
-98	134	2.8
-96	134	3.2
-94	134	3.7
-92	134	4.3
-90	134	4.7
-88	134	4.9
-86	134	4.6
-84	134	3.8
-82	134	2.5
-80	134	0.7
-78	134	-1
-76	134	-1
-74	134	0.7
-72	134	2.5
-70	134	3.6
-68	134	3.7
-66	134	2.9
-64	134	1.4
-62	134	0.3
-60	134	0.8
-58	134	2.3
-56	134	3.3
-54	134	3.5
-52	134	2.9
-50	134	2.3
-48	134	2.1
-46	134	2.3
-44	134	2.2
-42	134	1.7
-40	134	1.2
-38	134	0.9
-36	134	0.4
-34	134	-1
-32	134	-2.5
-30	134	-1.5
-28	134	0.4
-26	134	0.6
-24	134	-2
-22	134	-6.3
-20	134	-1.9
-18	134	1.5
-16	134	1.5
-14	134	-2.8
-12	134	-16.1
-10	134	-0.8
-8	134	2.9
-6	134	2.5
-4	134	-2.7
-2	134	-12.7
0	134	0.6
2	134	3.5
4	134	2.5
6	134	-3.4
8	134	-7
10	134	1.3
12	134	3.4
14	134	1.9
16	134	-3.6
18	134	-4.6
20	134	0.9
22	134	2.3
24	134	0.6
26	134	-3.6
28	134	-1.9
30	134	1.7
32	134	2.7
34	134	1.3
36	134	-1.1
38	134	0.1
40	134	2.8
42	134	4
44	134	3.2
46	134	0.5
48	134	-2.2
50	134	0.3
52	134	3.4
54	134	4.8
56	134	4.7
58	134	3.2
60	134	0
62	134	-3.2
64	134	-0.8
66	134	2.5
68	134	4.5
70	134	5.2
72	134	5
74	134	4.2
76	134	3.2
78	134	2.6
80	134	2.5
82	134	2.8
84	134	3.3
86	134	3.8
88	134	4.4
90	134	4.8
92	134	4.9
94	134	4.5
96	134	3.7
98	134	2.4
100	134	0.7
102	134	-1
104	134	-1.1
106	134	0.7
108	134	2.5
110	134	3.5
112	134	3.6
114	134	2.8
116	134	1.3
118	134	0.2
120	134	0.8
122	134	2.3
124	134	3.3
126	134	3.4

128	134	2.9
130	134	2.3
132	134	2.2
134	134	2.4
136	134	2.3
138	134	1.7
140	134	1.1
142	134	0.9
144	134	0.5
146	134	-0.9
148	134	-2.6
150	134	-1.6
152	134	0.4
154	134	0.7
156	134	-1.9
158	134	-6.6
160	134	-2.1
162	134	1.5
164	134	1.5
166	134	-2.8
168	134	-17.7
170	134	-0.8
172	134	2.9
174	134	2.5
176	134	-2.8
178	134	-12.6
180	134	0.6
-180	136	0.5
-178	136	3.8
-176	136	3.3
-174	136	-1.1
-172	136	-9.3
-170	136	-0.1
-168	136	3.3
-166	136	3
-164	136	-0.5
-162	136	-5.9
-160	136	-1
-158	136	2.1
-156	136	2
-154	136	-0.9
-152	136	-4.3
-150	136	-0.8
-148	136	2
-146	136	2.3
-144	136	0.4
-142	136	-2
-140	136	-0.3
-138	136	2.6
-136	136	3.8
-134	136	3.3
-132	136	0.9
-130	136	-2.2
-128	136	-0.6
-126	136	3
-124	136	5.1
-122	136	5.8
-120	136	5.3
-118	136	3.6
-116	136	0.9
-114	136	-1.5
-112	136	-0.9
-110	136	1.1
-108	136	2.4
-106	136	2.9
-104	136	2.8
-102	136	2.4
-100	136	2.1
-98	136	2
-96	136	2.3
-94	136	2.9
-92	136	3.4
-90	136	3.5
-88	136	3
-86	136	1.9
-84	136	0.3
-82	136	-0.8
-80	136	-0.1
-78	136	1.6
-76	136	3.1
-74	136	4
-72	136	4.1
-70	136	3.5
-68	136	2.1
-66	136	0.3
-64	136	-0.4
-62	136	1
-60	136	2.7
-58	136	3.7
-56	136	3.8
-54	136	3.1
-52	136	2.2
-50	136	1.8
-48	136	2
-46	136	2.1
-44	136	1.8
-42	136	1.1
-40	136	0.6
-38	136	0.2
-36	136	-0.6
-34	136	-1.8
-32	136	-2.1
-30	136	-0.5
-28	136	0.6
-26	136	-0.1
-24	136	-3.2
-22	136	-4.5
-20	136	-0.3
-18	136	1.9
-16	136	1.1
-14	136	-4.3
-12	136	-9.8
-10	136	0.3
-8	136	3.3
-6	136	2.7
-4	136	-2.6
-2	136	-14.5
0	136	0.5
2	136	3.8
4	136	3.4
6	136	-0.9
8	136	-9.2
10	136	-0.1
12	136	3.2
14	136	2.9
16	136	-0.7
18	136	-6.2
20	136	-0.9
22	136	2.2
24	136	2
26	136	-1.1
28	136	-4.5
30	136	-0.8
32	136	2
34	136	2.3
36	136	0.4
38	136	-2.1
40	136	-0.3

42	136	2.6
44	136	3.8
46	136	3.2
48	136	0.8
50	136	-2.2
52	136	-0.4
54	136	3.1
56	136	5.1
58	136	5.8
60	136	5.2
62	136	3.5
64	136	0.8
66	136	-1.7
68	136	-1
70	136	1
72	136	2.3
74	136	2.9
76	136	2.8
78	136	2.5
80	136	2.2
82	136	2.2
84	136	2.5
86	136	3
88	136	3.4
90	136	3.5
92	136	3
94	136	1.9
96	136	0.3
98	136	-0.7
100	136	0
102	136	1.7
104	136	3.2
106	136	4.1
108	136	4.2
110	136	3.6
112	136	2.2
114	136	0.3
116	136	-0.4
118	136	1
120	136	2.7
122	136	3.7
124	136	3.8
126	136	3.1
128	136	2.2
130	136	1.8
132	136	2.1
134	136	2.2
136	136	1.8
138	136	1.1
140	136	0.6
142	136	0.4
144	136	-0.2
146	136	-1.7
148	136	-2.3
150	136	-0.7
152	136	0.6
154	136	0
156	136	-2.9
158	136	-4.6
160	136	-0.5
162	136	1.8
164	136	1
166	136	-4.3
168	136	-10
170	136	0.2
172	136	3.2
174	136	2.6
176	136	-2.8
178	136	-14.2
180	136	0.5
-180	138	0
-178	138	3.7
-176	138	3.8
-174	138	0.5
-172	138	-8.1
-170	138	-2
-168	138	2.7
-166	138	3.6
-164	138	1.6
-162	138	-3.5
-160	138	-3.5
-158	138	1
-156	138	2.5
-154	138	1.3
-152	138	-2.4
-150	138	-3.9
-148	138	0
-146	138	2.2
-144	138	2.2
-142	138	0.2
-140	138	-2.2
-138	138	-0.7
-136	138	2.2
-134	138	3.6
-132	138	3.2
-130	138	1.1
-128	138	-2.8
-126	138	-3.1
-124	138	1.3
-122	138	4.3
-120	138	5.7
-118	138	6.1
-116	138	5.5
-114	138	4.2
-112	138	2.4
-110	138	0.9
-108	138	0.9
-106	138	1.9
-104	138	3
-102	138	3.8
-100	138	4
-98	138	3.8
-96	138	3.2
-94	138	2.4
-92	138	1.3
-90	138	0.2
-88	138	-0.5
-86	138	-0.2
-84	138	1.1
-82	138	2.8
-80	138	4
-78	138	4.7
-76	138	4.7
-74	138	4
-72	138	2.5
-70	138	0.4
-68	138	-1.4
-66	138	-0.7
-64	138	1.4
-62	138	3
-60	138	3.6
-58	138	3.3
-56	138	2.3
-54	138	1.2
-52	138	0.8
-50	138	1.4
-48	138	2
-46	138	1.8

-44	138	1
-42	138	0
-40	138	-0.5
-38	138	-0.8
-36	138	-1.4
-34	138	-2
-32	138	-1.4
-30	138	-0.1
-28	138	0.4
-26	138	-0.9
-24	138	-3.4
-22	138	-2.4
-20	138	0.8
-18	138	2
-16	138	0.6
-14	138	-5.2
-12	138	-6.8
-10	138	0.7
-8	138	3.3
-6	138	2.5
-4	138	-2.6
-2	138	-17.2
0	138	0
2	138	3.7
4	138	3.9
6	138	0.6
8	138	-8.2
10	138	-2.2
12	138	2.6
14	138	3.5
16	138	1.6
18	138	-3.5
20	138	-3.5
22	138	1
24	138	2.4
26	138	1.2
28	138	-2.5
30	138	-3.9
32	138	0
34	138	2.2
36	138	2.1
38	138	0.1
40	138	-2.5
42	138	-0.8
44	138	2.1
46	138	3.5
48	138	3.2
50	138	1.1
52	138	-2.8
54	138	-3.1
56	138	1.3
58	138	4.2
60	138	5.7
62	138	6
64	138	5.5
66	138	4.2
68	138	2.4
70	138	0.9
72	138	0.8
74	138	1.9
76	138	3.1
78	138	3.9
80	138	4.1
82	138	3.9
84	138	3.4
86	138	2.5
88	138	1.4
90	138	0.3
92	138	-0.3
94	138	0
96	138	1.4
98	138	3
100	138	4.2
102	138	4.8
104	138	4.8
106	138	4.1
108	138	0.6
110	138	0.5
112	138	-1.3
114	138	-0.7
116	138	1.4
118	138	2.9
120	138	3.6
122	138	3.3
124	138	2.2
126	138	1
128	138	0.8
130	138	1.5
132	138	2.1
134	138	1.9
136	138	1
138	138	0
140	138	-0.5
142	138	-0.5
144	138	-1.1
146	138	-1.9
148	138	-1.5
150	138	-0.1
152	138	0.4
154	138	-0.7
156	138	-3.1
158	138	-2.4
160	138	0.7
162	138	2
164	138	0.6
166	138	-5.1
168	138	-6.8
170	138	0.7
172	138	3.2
174	138	2.5
176	138	-2.7
178	138	-16.6
180	138	0
-180	140	-1.3
-178	140	3.1
-176	140	3.8
-174	140	1.6
-172	140	-4.9
-170	140	-4.6
-168	140	1.6
-166	140	3.6
-164	140	3
-162	140	-0.2
-160	140	-4.1
-158	140	-0.8
-156	140	2.1
-154	140	2.6
-152	140	0.8
-150	140	-2.6
-148	140	-2.8
-146	140	0.5
-144	140	2.2
-142	140	2.1
-140	140	0.1
-138	140	-2.4
-136	140	-1.2
-134	140	1.7
-132	140	3.4

-130	140	3.6
-128	140	2.3
-126	140	-0.9
-124	140	-5.9
-122	140	-3.6
-120	140	1.2
-118	140	4
-116	140	5.4
-114	140	5.9
-112	140	5.7
-110	140	5
-108	140	3.9
-106	140	2.7
-104	140	1.9
-102	140	1.4
-100	140	1.1
-98	140	0.9
-96	140	0.7
-94	140	0.8
-92	140	1.3
-90	140	2.2
-88	140	3.3
-86	140	4.2
-84	140	4.8
-82	140	5.1
-80	140	4.8
-78	140	4
-76	140	2.4
-74	140	0
-72	140	-2.4
-70	140	-2.1
-68	140	0.3
-66	140	2.3
-64	140	3.3
-62	140	3.3
-60	140	2.5
-58	140	0.9
-56	140	-0.5
-54	140	-0.4
-52	140	0.7
-50	140	1.5
-48	140	1.5
-46	140	0.5
-44	140	-0.8
-42	140	-1.6
-40	140	-1.4
-38	140	-1.3
-36	140	-1.5
-34	140	-1.6
-32	140	-0.8
-30	140	0.1
-28	140	0.1
-26	140	-1.4
-24	140	-2.8
-22	140	-1.1
-20	140	1.3
-18	140	1.9
-16	140	0
-14	140	-5.4
-12	140	-4.9
-10	140	1
-8	140	3.2
-6	140	2.5
-4	140	-2.1
-2	140	-25.4
0	140	-1.2
2	140	3.2
4	140	3.9
6	140	1.7
8	140	-4.9
10	140	-4.8
12	140	1.6
14	140	3.7
16	140	3.1
18	140	-0.1
20	140	-4.2
22	140	-1.1
24	140	1.9
26	140	2.5
28	140	0.8
30	140	-2.5
32	140	-2.7
34	140	0.4
36	140	2.1
38	140	1.9
40	140	-0.1
42	140	-2.7
44	140	-1.2
46	140	1.9
48	140	3.6
50	140	3.8
52	140	2.5
54	140	-0.7
56	140	-5.9
58	140	-3.8
60	140	1.1
62	140	3.9
64	140	5.4
66	140	5.9
68	140	5.7
70	140	4.9
72	140	3.8
74	140	2.7
76	140	1.8
78	140	1.3
80	140	1
82	140	0.8
84	140	0.6
86	140	0.7
88	140	1.3
90	140	2.3
92	140	3.3
94	140	4.3
96	140	4.9
98	140	5.2
100	140	5
102	140	4.1
104	140	2.5
106	140	0.1
108	140	-2.3
110	140	-2.1
112	140	0.3
114	140	2.2
116	140	3.2
118	140	3.2
120	140	2.4
122	140	0.8
124	140	-0.7
126	140	-0.7
128	140	0.6
130	140	1.5
132	140	1.6
134	140	0.7
136	140	-0.8
138	140	-1.7
140	140	-1.5
142	140	-1.3
144	140	-1.5

146	140	-1.6
148	140	-0.8
150	140	0.2
152	140	0.1
154	140	-1.3
156	140	-2.8
158	140	-1.1
160	140	1.3
162	140	1.9
164	140	0.1
166	140	-5.4
168	140	-5
170	140	0.9
172	140	3.2
174	140	2.5
176	140	-2.1
178	140	-25.3
180	140	-1.3
-180	142	-2.9
-178	142	2.3
-176	142	3.7
-174	142	2.4
-172	142	-2.1
-170	142	-6.8
-168	142	-0.3
-166	142	3
-164	142	3.5
-162	142	1.9
-160	142	-1.5
-158	142	-2.3
-156	142	0.9
-154	142	2.7
-152	142	2.6
-150	142	0.7
-148	142	-2.1
-146	142	-1.6
-144	142	1
-142	142	2.4
-140	142	2.2
-138	142	0.3
-136	142	-2.8
-134	142	-2.5
-132	142	1
-130	142	3.3
-128	142	4.3
-126	142	4
-124	142	2.4
-122	142	-0.8
-120	142	-6.5
-118	142	-6.6
-116	142	-1.2
-114	142	1.9
-112	142	3.6
-110	142	4.4
-108	142	4.6
-106	142	4.4
-104	142	4
-102	142	3.6
-100	142	3.4
-98	142	3.5
-96	142	3.8
-94	142	4.2
-92	142	4.7
-90	142	4.9
-88	142	5
-86	142	4.6
-84	142	3.8
-82	142	2.5
-80	142	0.3
-78	142	-2.6
-76	142	-4.7
-74	142	-2.9
-72	142	0
-70	142	2
-68	142	3
-66	142	3.1
-64	142	2.4
-62	142	0.9
-60	142	-1
-58	142	-1.8
-56	142	-0.7
-54	142	0.7
-52	142	1.3
-50	142	0.9
-48	142	-0.4
-46	142	-2.2
-44	142	-2.8
-42	142	-1.8
-40	142	-1
-38	142	-0.9
-36	142	-1.4
-34	142	-1.3
-32	142	-0.4
-30	142	0.3
-28	142	-0.1
-26	142	-1.4
-24	142	-2
-22	142	-0.4
-20	142	1.3
-18	142	1.4
-16	142	-0.7
-14	142	-5.4
-12	142	-3.7
-10	142	1.1
-8	142	3
-6	142	2.4
-4	142	-1.7
-2	142	-21.3
0	142	-2.8
2	142	2.4
4	142	3.8
6	142	2.5
8	142	-2.2
10	142	-7.2
12	142	-0.3
14	142	3.1
16	142	3.6
18	142	2
20	142	-1.4
22	142	-2.3
24	142	0.9
26	142	2.7
28	142	2.7
30	142	0.8
32	142	-2
34	142	-1.6
36	142	1
38	142	2.5
40	142	2.2
42	142	0.4
44	142	-2.6
46	142	-2.2
48	142	1.1
50	142	3.5
52	142	4.4
54	142	4.1
56	142	2.4
58	142	-0.9

60	142	-7
62	142	-6.9
64	142	-1.2
66	142	1.9
68	142	3.6
70	142	4.4
72	142	4.5
74	142	4.3
76	142	3.9
78	142	3.5
80	142	3.3
82	142	3.4
84	142	3.8
86	142	4.2
88	142	4.6
90	142	4.9
92	142	4.9
94	142	4.5
96	142	3.7
98	142	2.4
100	142	0.2
102	142	-2.6
104	142	-4.4
106	142	-2.5
108	142	0.2
110	142	2.1
112	142	3
114	142	3.1
116	142	2.4
118	142	0.8
120	142	-1.1
122	142	-2
124	142	-1
126	142	0.4
128	142	1.1
130	142	0.8
132	142	-0.4
134	142	-2.1
136	142	-2.8
138	142	-2
140	142	-1.1
142	142	-1.1
144	142	-1.6
146	142	-1.6
148	142	-0.6
150	142	0.1
152	142	-0.2
154	142	-1.6
156	142	-2.2
158	142	-0.4
160	142	1.3
162	142	1.4
164	142	-0.7
166	142	-5.6
168	142	-3.9
170	142	1.1
172	142	3
174	142	2.4
176	142	-1.6
178	142	-20.4
180	142	-2.9
-180	144	-4.7
-178	144	1.4
-176	144	3.3
-174	144	2.7
-172	144	-0.5
-170	144	-6.5
-168	144	-2.7
-166	144	1.8
-164	144	3.3
-162	144	2.9
-160	144	0.7
-158	144	-1.8
-156	144	-0.5
-154	144	1.9
-152	144	3
-150	144	2.5
-148	144	0.5
-146	144	-1.5
-144	144	-0.5
-142	144	1.8
-140	144	3
-138	144	2.9
-136	144	1.2
-134	144	-2.2
-132	144	-5.3
-130	144	-1.8
-128	144	1.8
-126	144	3.8
-124	144	4.5
-122	144	4.3
-120	144	3.1
-118	144	0.9
-116	144	-2.7
-114	144	-8.2
-112	144	-9.7
-110	144	-4.7
-108	144	-1.4
-106	144	0.6
-104	144	1.9
-102	144	2.7
-100	144	3.2
-98	144	3.4
-96	144	3.4
-94	144	3.1
-92	144	2.5
-90	144	1.5
-88	144	-0.2
-86	144	-2.7
-84	144	-6.5
-82	144	-8.6
-80	144	-4.9
-78	144	-1.3
-76	144	1.2
-74	144	2.6
-72	144	3.3
-70	144	3.2
-68	144	2.4
-66	144	0.8
-64	144	-1.5
-62	144	-3
-60	144	-2
-58	144	-0.1
-56	144	1.1
-54	144	1.4
-52	144	0.6
-50	144	-1.1
-48	144	-2.9
-46	144	-2.9
-44	144	-1.4
-42	144	-0.4
-40	144	-0.3
-38	144	-1
-36	144	-1.7
-34	144	-1.2
-32	144	-0.1
-30	144	0.4
-28	144	-0.1

-26	144	-1.3
-24	144	-1.4
-22	144	0.1
-20	144	1.2
-18	144	0.9
-16	144	-1.5
-14	144	-5.7
-12	144	-3.4
-10	144	0.8
-8	144	2.5
-6	144	1.9
-4	144	-1.8
-2	144	-16.7
0	144	-4.5
2	144	1.5
4	144	3.3
6	144	2.7
8	144	-0.6
10	144	-6.7
12	144	-2.5
14	144	1.9
16	144	3.5
18	144	3
20	144	0.9
22	144	-1.5
24	144	-0.3
26	144	2.1
28	144	3.1
30	144	2.5
32	144	0.5
34	144	-1.6
36	144	-0.5
38	144	1.9
40	144	3.3
42	144	3.2
44	144	1.5
46	144	-1.8
48	144	-5
50	144	-1.8
52	144	1.7
54	144	3.7
56	144	4.5
58	144	4.2
60	144	2.9
62	144	0.6
64	144	-3.2
66	144	-9.3
68	144	-10.2
70	144	-4.9
72	144	-1.6
74	144	0.4
76	144	1.7
78	144	2.6
80	144	3.1
82	144	3.4
84	144	3.4
86	144	3.2
88	144	2.6
90	144	1.5
92	144	-0.2
94	144	-2.9
96	144	-6.8
98	144	-8.8
100	144	-4.8
102	144	-1.1
104	144	1.3
106	144	2.8
108	144	3.4
110	144	3.3
112	144	2.5
114	144	0.8
116	144	-1.5
118	144	-3
120	144	-2.1
122	144	-0.2
124	144	1
126	144	1.2
128	144	0.4
130	144	-1.2
132	144	-3
134	144	-2.9
136	144	-1.5
138	144	-0.4
140	144	-0.4
142	144	-1.2
144	144	-1.8
146	144	-1.3
148	144	-0.3
150	144	0.2
152	144	-0.4
154	144	-1.6
156	144	-1.6
158	144	0
160	144	1.2
162	144	0.9
164	144	-1.6
166	144	-6
168	144	-3.5
170	144	0.8
172	144	2.6
174	144	2
176	144	-1.6
178	144	-16
180	144	-4.7
-180	146	-6.5
-178	146	0.3
-176	146	2.5
-174	146	2.4
-172	146	0.1
-170	146	-4.8
-168	146	-4.5
-166	146	0.4
-164	146	2.7
-162	146	3.1
-160	146	1.8
-158	146	-0.6
-156	146	-1.6
-154	146	0.6
-152	146	2.5
-150	146	3.1
-148	146	2.3
-146	146	0.3
-144	146	-1.7
-142	146	-0.6
-140	146	1.9
-138	146	3.4
-136	146	3.8
-134	146	2.9
-132	146	0.7
-130	146	-3.5
-128	146	-7.8
-126	146	-3.4
-124	146	0.6
-122	146	2.9
-120	146	4
-118	146	4.4
-116	146	4.1
-114	146	3.3

-112	146	1.9
-110	146	0.1
-108	146	-2.3
-106	146	-5.1
-104	146	-7.6
-102	146	-8.8
-100	146	-8.9
-98	146	-9
-96	146	-9.6
-94	146	-9.9
-92	146	-8.8
-90	146	-6.1
-88	146	-3.3
-86	146	-0.9
-84	146	1
-82	146	2.3
-80	146	3.2
-78	146	3.6
-76	146	3.6
-74	146	2.9
-72	146	1.7
-70	146	-0.2
-68	146	-2.5
-66	146	-3.5
-64	146	-2
-62	146	0
-60	146	1.3
-58	146	1.8
-56	146	1.4
-54	146	0.1
-52	146	-1.7
-50	146	-2.7
-48	146	-1.7
-46	146	-0.3
-44	146	0.5
-42	146	0.4
-40	146	-0.5
-38	146	-1.5
-36	146	-1.4
-34	146	-0.3
-32	146	0.6
-30	146	0.6
-28	146	-0.3
-26	146	-1.4
-24	146	-1
-22	146	0.4
-20	146	1.1
-18	146	0.4
-16	146	-2.2
-14	146	-6.1
-12	146	-3.6
-10	146	0.3
-8	146	1.8
-6	146	1.2
-4	146	-2.2
-2	146	-14.8
0	146	-6.3
2	146	0.3
4	146	2.6
6	146	2.5
8	146	0.2
10	146	-4.6
12	146	-4.4
14	146	0.4
16	146	2.8
18	146	3.2
20	146	1.9
22	146	-0.5
24	146	-1.4
26	146	0.7
28	146	2.7
30	146	3.2
32	146	2.4
34	146	0.4
36	146	-1.6
38	146	-0.4
40	146	2.1
42	146	3.6
44	146	4
46	146	3.2
48	146	0.9
50	146	-3.2
52	146	-7.7
54	146	-3.5
56	146	0.6
58	146	2.8
60	146	4
62	146	4.3
64	146	4
66	146	3.2
68	146	1.8
70	146	-0.1
72	146	-2.5
74	146	-5.3
76	146	-7.9
78	146	-9
80	146	-8.9
82	146	-8.7
84	146	-9
86	146	-9.2
88	146	-8.2
90	146	-5.8
92	146	-3.2
94	146	-0.9
96	146	0.9
98	146	2.3
100	146	3.2
102	146	3.6
104	146	3.5
106	146	2.9
108	146	1.7
110	146	-0.1
112	146	-2.4
114	146	-3.4
116	146	-2
118	146	0
120	146	1.3
122	146	1.8
124	146	1.3
126	146	0
128	146	-1.8
130	146	-2.8
132	146	-1.8
134	146	-0.3
136	146	0.5
138	146	0.4
140	146	-0.6
142	146	-1.6
144	146	-1.5
146	146	-0.3
148	146	0.7
150	146	0.6
152	146	-0.4
154	146	-1.6
156	146	-1.2
158	146	0.3
160	146	1
162	146	0.3

164	146	-2.3
166	146	-6.2
168	146	-3.5
170	146	0.3
172	146	1.9
174	146	1.3
176	146	-2.2
178	146	-14.6
180	146	-6.5
-180	148	-8.6
-178	148	-1
-176	148	1.6
-174	148	2
-172	148	0.4
-170	148	-3.3
-168	148	-5.4
-166	148	-1.2
-164	148	1.7
-162	148	2.8
-160	148	2.3
-158	148	0.4
-156	148	-1.9
-154	148	-1.2
-152	148	1.3
-150	148	3
-148	148	3.3
-146	148	2.4
-144	148	0.3
-142	148	-2.4
-140	148	-2
-138	148	0.9
-136	148	3.2
-134	148	4.3
-132	148	4.4
-130	148	3.7
-128	148	1.8
-126	148	-1.4
-124	148	-6.4
-122	148	-7.9
-120	148	-3
-118	148	0.4
-116	148	2.4
-114	148	3.6
-112	148	4.1
-110	148	4.3
-108	148	4.1
-106	148	3.8
-104	148	3.4
-102	148	3
-100	148	2.8
-98	148	2.7
-96	148	2.9
-94	148	3.2
-92	148	3.6
-90	148	4
-88	148	4.3
-86	148	4.5
-84	148	4.4
-82	148	3.9
-80	148	3.1
-78	148	1.7
-76	148	-0.4
-74	148	-3.2
-72	148	-5.2
-70	148	-3.6
-68	148	-0.8
-66	148	1.3
-64	148	2.5
-62	148	2.9
-60	148	2.6
-58	148	1.5
-56	148	-0.3
-54	148	-2.1
-52	148	-2.2
-50	148	-0.7
-48	148	0.7
-46	148	1.3
-44	148	1
-42	148	0
-40	148	-1
-38	148	-1
-36	148	0
-34	148	1
-32	148	1.1
-30	148	0.4
-28	148	-1
-26	148	-1.7
-24	148	-0.7
-22	148	0.6
-20	148	1
-18	148	-0.1
-16	148	-3
-14	148	-6.3
-12	148	-3.5
-10	148	-0.1
-8	148	1.3
-6	148	0.7
-4	148	-2.6
-2	148	-13.1
0	148	-8.6
2	148	-1
4	148	1.7
6	148	2
8	148	0.4
10	148	-3.4
12	148	-5.7
14	148	-1.3
16	148	1.7
18	148	2.8
20	148	2.4
22	148	0.5
24	148	-1.8
26	148	-1.2
28	148	1.3
30	148	3
32	148	3.4
34	148	2.6
36	148	0.5
38	148	-2.2
40	148	-1.8
42	148	1.1
44	148	3.3
46	148	4.4
48	148	4.6
50	148	3.8
52	148	1.9
54	148	-1.3
56	148	-6.6
58	148	-8.2
60	148	-3
62	148	0.4
64	148	2.4
66	148	3.6
68	148	4.1
70	148	4.3
72	148	4.1
74	148	3.8
76	148	3.4

78	148	3.1
80	148	2.9
82	148	2.8
84	148	3
86	148	3.4
88	148	3.8
90	148	4.1
92	148	4.4
94	148	4.5
96	148	4.4
98	148	3.9
100	148	3
102	148	1.6
104	148	-0.4
106	148	-3.1
108	148	-4.9
110	148	-3.4
112	148	-0.7
114	148	1.3
116	148	2.5
118	148	2.9
120	148	2.5
122	148	1.4
124	148	-0.4
126	148	-2.2
128	148	-2.3
130	148	-0.8
132	148	0.6
134	148	1.3
136	148	1.1
138	148	0.1
140	148	-1
142	148	-1.1
144	148	-0.1
146	148	1
148	148	1.2
150	148	0.6
152	148	-0.8
154	148	-1.6
156	148	-0.8
158	148	0.5
160	148	0.8
162	148	-0.3
164	148	-3.2
166	148	-6.4
168	148	-3.4
170	148	0
172	148	1.3
174	148	0.7
176	148	-2.6
178	148	-13.1
180	148	-8.6
-180	150	-11.3
-178	150	-2.4
-176	150	0.7
-174	150	1.6
-172	150	0.5
-170	150	-2.5
-168	150	-6.4
-166	150	-3.7
-164	150	0.2
-162	150	2.2
-160	150	2.5
-158	150	1.6
-156	150	-0.6
-154	150	-2.4
-152	150	-1
-150	150	1.5
-148	150	3.1
-146	150	3.6
-144	150	3
-142	150	1.3
-140	150	-1.5
-138	150	-3.5
-136	150	-1.4
-134	150	1.6
-132	150	3.6
-130	150	4.7
-128	150	5
-126	150	4.7
-124	150	3.6
-122	150	1.9
-120	150	-0.9
-118	150	-4.8
-116	150	-8.7
-114	150	-6.8
-112	150	-3.3
-110	150	-0.9
-108	150	0.6
-106	150	1.6
-104	150	2.2
-102	150	2.6
-100	150	2.8
-98	150	2.9
-96	150	2.9
-94	150	2.8
-92	150	2.5
-90	150	2.1
-88	150	1.4
-86	150	0.4
-84	150	-1.2
-82	150	-3.3
-80	150	-5.6
-78	150	-5.8
-76	150	-3.4
-74	150	-0.7
-72	150	1.4
-70	150	2.7
-68	150	3.5
-66	150	3.7
-64	150	3.3
-62	150	2.3
-60	150	0.8
-58	150	-0.9
-56	150	-1.6
-54	150	-0.7
-52	150	0.7
-50	150	1.6
-48	150	1.8
-46	150	1.3
-44	150	0.3
-42	150	-0.7
-40	150	-0.6
-38	150	0.4
-36	150	1.3
-34	150	1.6
-32	150	1
-30	150	-0.3
-28	150	-1.8
-26	150	-1.7
-24	150	-0.4
-22	150	0.7
-20	150	0.6
-18	150	-0.9
-16	150	-4
-14	150	-6.3
-12	150	-3.1
-10	150	-0.2

-8	150	1
-6	150	0.3
-4	150	-2.8
-2	150	-11.7
0	150	-11
2	150	-2.3
4	150	0.8
6	150	1.6
8	150	0.5
10	150	-2.5
12	150	-6.5
14	150	-3.6
16	150	0.3
18	150	2.3
20	150	2.7
22	150	1.7
24	150	-0.5
26	150	-2.5
28	150	-1.1
30	150	1.5
32	150	3.2
34	150	3.7
36	150	3.2
38	150	1.5
40	150	-1.3
42	150	-3.3
44	150	-1.2
46	150	1.7
48	150	3.7
50	150	4.8
52	150	5
54	150	4.6
56	150	3.5
58	150	1.7
60	150	-1.2
62	150	-5.2
64	150	-8.9
66	150	-6.7
68	150	-3.3
70	150	-0.9
72	150	0.6
74	150	1.6
76	150	2.2
78	150	2.6
80	150	2.9
82	150	3
84	150	3
86	150	2.9
88	150	2.6
90	150	2.2
92	150	1.5
94	150	0.4
96	150	-1.2
98	150	-3.3
100	150	-5.4
102	150	-5.5
104	150	-3.1
106	150	-0.5
108	150	1.5
110	150	2.8
112	150	3.5
114	150	3.7
116	150	3.2
118	150	2.2
120	150	0.7
122	150	-1
124	150	-1.7
126	150	-0.8
128	150	0.6
130	150	1.6
132	150	1.9
134	150	1.5
136	150	0.5
138	150	-0.5
140	150	-0.6
142	150	0.3
144	150	1.2
146	150	1.5
148	150	1
150	150	-0.2
152	150	-1.5
154	150	-1.5
156	150	-0.2
158	150	0.8
160	150	0.7
162	150	-0.9
164	150	-4.1
166	150	-6.4
168	150	-3.1
170	150	-0.1
172	150	1
174	150	0.3
176	150	-2.7
178	150	-11.6
180	150	-11.3
-180	152	-14.1
-178	152	-3.7
-176	152	-0.1
-174	152	1.1
-172	152	0.7
-170	152	-1.6
-168	152	-6
-166	152	-6.9
-164	152	-2
-162	152	1.1
-160	152	2.4
-158	152	2.5
-156	152	1.3
-154	152	-1
-152	152	-3.1
-150	152	-1.7
-148	152	1.1
-146	152	3
-144	152	3.9
-142	152	3.9
-140	152	3
-138	152	1.1
-136	152	-1.6
-134	152	-3.8
-132	152	-2.2
-130	152	0.7
-128	152	2.9
-126	152	4.3
-124	152	5
-122	152	5.2
-120	152	5
-118	152	4.4
-116	152	3.4
-114	152	2.1
-112	152	0.4
-110	152	-1.5
-108	152	-3.7
-106	152	-6
-104	152	-8.1
-102	152	-9.5
-100	152	-10.2
-98	152	-10.5
-96	152	-10.4

-94	152	-10
-92	152	-8.9
-90	152	-7
-88	152	-4.9
-86	152	-2.7
-84	152	-0.7
-82	152	1
-80	152	2.3
-78	152	3.4
-76	152	4.1
-74	152	4.5
-72	152	4.5
-70	152	4.1
-68	152	3.3
-66	152	2
-64	152	0.3
-62	152	-1.2
-60	152	-1.4
-58	152	-0.2
-56	152	1.3
-54	152	2.4
-52	152	2.8
-50	152	2.6
-48	152	1.8
-46	152	0.5
-44	152	-0.6
-42	152	-0.6
-40	152	0.4
-38	152	1.4
-36	152	1.9
-34	152	1.5
-32	152	0.4
-30	152	-1.1
-28	152	-1.9
-26	152	-1.1
-24	152	0.1
-22	152	0.7
-20	152	0.1
-18	152	-1.9
-16	152	-5.2
-14	152	-6.1
-12	152	-2.7
-10	152	-0.2
-8	152	0.7
-6	152	0
-4	152	-2.9
-2	152	-10.9
0	152	-13.5
2	152	-3.5
4	152	0.1
6	152	1.4
8	152	0.9
10	152	-1.3
12	152	-5.7
14	152	-6.9
16	152	-2
18	152	1.1
20	152	2.5
22	152	2.5
24	152	1.3
26	152	-1
28	152	-3.1
30	152	-1.7
32	152	1.1
34	152	3.1
36	152	4
38	152	4
40	152	3.1
42	152	1.2
44	152	-1.6
46	152	-3.8
48	152	-2.1
50	152	0.7
52	152	2.9
54	152	4.2
56	152	4.9
58	152	5.1
60	152	4.9
62	152	4.3
64	152	3.3
66	152	2.1
68	152	0.5
70	152	-1.4
72	152	-3.4
74	152	-5.6
76	152	-7.5
78	152	-9
80	152	-9.9
82	152	-10.3
84	152	-10.4
86	152	-10.1
88	152	-8.9
90	152	-7
92	152	-4.8
94	152	-2.6
96	152	-0.6
98	152	1.1
100	152	2.4
102	152	3.4
104	152	4.1
106	152	4.5
108	152	4.4
110	152	4
112	152	3.2
114	152	1.9
116	152	0.2
118	152	-1.2
120	152	-1.4
122	152	-0.3
124	152	1.2
126	152	2.2
128	152	2.7
130	152	2.5
132	152	1.8
134	152	0.6
136	152	-0.5
138	152	-0.5
140	152	0.4
142	152	1.3
144	152	1.7
146	152	1.4
148	152	0.4
150	152	-1
152	152	-1.7
154	152	-0.9
156	152	0.2
158	152	0.8
160	152	0.2
162	152	-1.7
164	152	-4.9
166	152	-5.9
168	152	-2.8
170	152	-0.3
172	152	0.6
174	152	-0.1
176	152	-2.9
178	152	-10.7
180	152	-14.1

-180	154	-18.1
-178	154	-5.2
-176	154	-1
-174	154	0.7
-172	154	0.9
-170	154	-0.5
-168	154	-3.7
-166	154	-8.5
-164	154	-5.8
-162	154	-1.3
-160	154	1.3
-158	154	2.4
-156	154	2.3
-154	154	1.1
-152	154	-1.1
-150	154	-3.7
-148	154	-3.2
-146	154	-0.2
-144	154	2.2
-142	154	3.6
-140	154	4.2
-138	154	4
-136	154	3.2
-134	154	1.5
-132	154	-0.9
-130	154	-3.7
-128	154	-4.3
-126	154	-1.9
-124	154	0.7
-122	154	2.6
-120	154	3.8
-118	154	4.7
-116	154	5.1
-114	154	5.3
-112	154	5.3
-110	154	5.2
-108	154	4.9
-106	154	4.6
-104	154	4.2
-102	154	3.9
-100	154	3.7
-98	154	3.5
-96	154	3.5
-94	154	3.6
-92	154	3.8
-90	154	4.1
-88	154	4.4
-86	154	4.8
-84	154	5
-82	154	5.1
-80	154	5.1
-78	154	4.9
-76	154	4.4
-74	154	3.6
-72	154	2.4
-70	154	0.8
-68	154	-1
-66	154	-2.1
-64	154	-1.5
-62	154	0
-60	154	1.6
-58	154	2.7
-56	154	3.3
-54	154	3.3
-52	154	2.8
-50	154	1.7
-48	154	0.4
-46	154	-0.6
-44	154	-0.5
-42	154	0.5
-40	154	1.4
-38	154	1.9
-36	154	1.7
-34	154	0.8
-32	154	-0.5
-30	154	-1.4
-28	154	-1.2
-26	154	-0.2
-24	154	0.6
-22	154	0.6
-20	154	-0.6
-18	154	-3
-16	154	-6.3
-14	154	-6
-12	154	-2.5
-10	154	-0.3
-8	154	0.5
-6	154	-0.2
-4	154	-2.8
-2	154	-9.3
0	154	-18.8
2	154	-5.2
4	154	-0.9
6	154	0.9
8	154	1.1
10	154	-0.2
12	154	-3.4
14	154	-8.2
16	154	-6.1
18	154	-1.4
20	154	1.2
22	154	2.4
24	154	2.3
26	154	1.2
28	154	-1.1
30	154	-3.7
32	154	-3.1
34	154	-0.2
36	154	2.2
38	154	3.6
40	154	4.2
42	154	4.1
44	154	3.2
46	154	1.5
48	154	-1
50	154	-3.9
52	154	-4.5
54	154	-2
56	154	0.6
58	154	2.5
60	154	3.8
62	154	4.7
64	154	5.2
66	154	5.4
68	154	5.4
70	154	5.2
72	154	4.9
74	154	4.6
76	154	4.3
78	154	3.9
80	154	3.7
82	154	3.6
84	154	3.5
86	154	3.7
88	154	3.9
90	154	4.2
92	154	4.5
94	154	4.8

96	154	5.1
98	154	5.2
100	154	5.1
102	154	4.9
104	154	4.3
106	154	3.5
108	154	2.2
110	154	0.6
112	154	-1.1
114	154	-2.1
116	154	-1.5
118	154	0.1
120	154	1.5
122	154	2.6
124	154	3.1
126	154	3.1
128	154	2.5
130	154	1.5
132	154	0.2
134	154	-0.7
136	154	-0.5
138	154	0.4
140	154	1.3
142	154	1.8
144	154	1.6
146	154	0.7
148	154	-0.5
150	154	-1.5
152	154	-1.3
154	154	-0.3
156	154	0.5
158	154	0.5
160	154	-0.6
162	154	-2.9
164	154	-5.8
166	154	-5.5
168	154	-2.5
170	154	-0.4
172	154	0.3
174	154	-0.4
176	154	-3
178	154	-9.5
180	154	-18.1
-180	156	-20.2
-178	156	-7.6
-176	156	-2.4
-174	156	0
-172	156	0.8
-170	156	0.3
-168	156	-1.6
-166	156	-5.3
-164	156	-9.8
-162	156	-5.9
-160	156	-1.6
-158	156	0.9
-156	156	2
-154	156	2.1
-152	156	1.3
-150	156	-0.4
-148	156	-2.9
-146	156	-4.6
-144	156	-2.9
-142	156	-0.1
-140	156	1.9
-138	156	3.2
-136	156	3.8
-134	156	3.9
-132	156	3.5
-130	156	2.6
-128	156	1.1
-126	156	-0.8
-124	156	-2.9
-122	156	-4.3
-120	156	-3.8
-118	156	-2.1
-116	156	-0.4
-114	156	1.1
-112	156	2.1
-110	156	2.9
-108	156	3.5
-106	156	3.9
-104	156	4.2
-102	156	4.3
-100	156	4.4
-98	156	4.4
-96	156	4.4
-94	156	4.3
-92	156	4.1
-90	156	3.9
-88	156	3.5
-86	156	3.1
-84	156	2.5
-82	156	1.8
-80	156	0.8
-78	156	-0.3
-76	156	-1.4
-74	156	-2.2
-72	156	-2.2
-70	156	-1.2
-68	156	0.2
-66	156	1.5
-64	156	2.5
-62	156	3.1
-60	156	3.3
-58	156	3.2
-56	156	2.6
-54	156	1.6
-52	156	0.3
-50	156	-0.7
-48	156	-0.8
-46	156	0
-44	156	1
-42	156	1.8
-40	156	2.1
-38	156	1.7
-36	156	0.8
-34	156	-0.5
-32	156	-1.6
-30	156	-1.6
-28	156	-0.7
-26	156	0.3
-24	156	0.7
-22	156	0.3
-20	156	-1.2
-18	156	-3.9
-16	156	-6.9
-14	156	-5.8
-12	156	-2.6
-10	156	-0.6
-8	156	0.1
-6	156	-0.4
-4	156	-2.6
-2	156	-7.6
0	156	-22.3
2	156	-8
4	156	-2.5
6	156	-0.1
8	156	0.8

10	156	0.3
12	156	-1.5
14	156	-5.3
16	156	-9.7
18	156	-5.8
20	156	-1.5
22	156	0.9
24	156	2.1
26	156	2.2
28	156	1.4
30	156	-0.4
32	156	-2.9
34	156	-4.6
36	156	-2.8
38	156	0
40	156	2
42	156	3.3
44	156	3.9
46	156	4
48	156	3.5
50	156	2.5
52	156	1
54	156	-0.9
56	156	-3.1
58	156	-4.4
60	156	-3.7
62	156	-2
64	156	-0.2
66	156	1.2
68	156	2.2
70	156	3
72	156	3.6
74	156	4
76	156	4.2
78	156	4.4
80	156	4.4
82	156	4.5
84	156	4.4
86	156	4.4
88	156	4.2
90	156	4
92	156	3.7
94	156	3.3
96	156	2.7
98	156	1.9
100	156	0.9
102	156	-0.3
104	156	-1.6
106	156	-2.4
108	156	-2.3
110	156	-1.2
112	156	0.2
114	156	1.5
116	156	2.5
118	156	3.1
120	156	3.2
122	156	3
124	156	2.3
126	156	1.3
128	156	0
130	156	-1
132	156	-1.1
134	156	-0.2
136	156	0.9
138	156	1.7
140	156	2
142	156	1.6
144	156	0.7
146	156	-0.6
148	156	-1.8
150	156	-1.8
152	156	-0.9
154	156	0.1
156	156	0.5
158	156	0
160	156	-1.4
162	156	-4.1
164	156	-6.7
166	156	-5.5
168	156	-2.6
170	156	-0.6
172	156	0
174	156	-0.6
176	156	-2.9
178	156	-8
180	156	-20.2
-180	158	-15.7
-178	158	-11.1
-176	158	-4.5
-174	158	-1.4
-172	158	0.1
-170	158	0.4
-168	158	-0.5
-166	158	-2.6
-164	158	-6.6
-162	158	-11
-160	158	-6.7
-158	158	-2.3
-156	158	0.3
-154	158	1.6
-152	158	2.1
-150	158	1.9
-148	158	0.9
-146	158	-0.9
-144	158	-3.4
-142	158	-5.4
-140	158	-4.3
-138	158	-1.7
-136	158	0.6
-134	158	2.2
-132	158	3.3
-130	158	3.9
-128	158	4.1
-126	158	4
-124	158	3.5
-122	158	2.9
-120	158	2
-118	158	0.9
-116	158	-0.4
-114	158	-1.8
-112	158	-3.1
-110	158	-4.2
-108	158	-4.8
-106	158	-4.9
-104	158	-4.7
-102	158	-4.4
-100	158	-4.2
-98	158	-4
-96	158	-4.1
-94	158	-4.3
-92	158	-4.6
-90	158	-4.9
-88	158	-5.1
-86	158	-4.8
-84	158	-4
-82	158	-2.9
-80	158	-1.5
-78	158	-0.2

-76	158	1
-74	158	2
-72	158	2.9
-70	158	3.4
-68	158	3.7
-66	158	3.8
-64	158	3.5
-62	158	2.9
-60	158	2
-58	158	0.6
-56	158	-0.9
-54	158	-2
-52	158	-2
-50	158	-0.9
-48	158	0.5
-46	158	1.6
-44	158	2.1
-42	158	2.2
-40	158	1.7
-38	158	0.6
-36	158	-0.9
-34	158	-2.4
-32	158	-2.7
-30	158	-1.8
-28	158	-0.5
-26	158	0.3
-24	158	0.3
-22	158	-0.4
-20	158	-2.1
-18	158	-4.7
-16	158	-6.9
-14	158	-5.6
-12	158	-2.9
-10	158	-1.1
-8	158	-0.5
-6	158	-0.9
-4	158	-2.7
-2	158	-6.7
0	158	-1.6
2	158	-11.5
4	158	-4.6
6	158	-1.4
8	158	0
10	158	0.3
12	158	-0.5
14	158	-2.7
16	158	-6.7
18	158	-10.7
20	158	-6.3
22	158	-2.1
24	158	0.4
26	158	1.8
28	158	2.2
30	158	1.9
32	158	0.9
34	158	-1
36	158	-3.5
38	158	-5.4
40	158	-4.2
42	158	-1.4
44	158	0.8
46	158	2.3
48	158	3.3
50	158	3.9
52	158	4.1
54	158	3.9
56	158	3.5
58	158	2.8
60	158	2
62	158	0.9
64	158	-0.3
66	158	-1.6
68	158	-2.8
70	158	-3.7
72	158	-4.2
74	158	-4.3
76	158	-4.2
78	158	-4
80	158	-3.8
82	158	-3.7
84	158	-3.7
86	158	-4
88	158	-4.3
90	158	-4.7
92	158	-5
94	158	-4.9
96	158	-4.3
98	158	-3.2
100	158	-1.8
102	158	-0.4
104	158	0.9
106	158	2
108	158	2.8
110	158	3.4
112	158	3.8
114	158	3.8
116	158	3.5
118	158	2.9
120	158	1.9
122	158	0.5
124	158	-1
126	158	-2.3
128	158	-2.7
130	158	-1
132	158	0.4
134	158	1.5
136	158	2.1
138	158	2.1
140	158	1.6
142	158	0.5
144	158	-1
146	158	-2.6
148	158	-2.9
150	158	-1.9
152	158	-0.7
154	158	0.1
156	158	0.2
158	158	-0.6
160	158	-2.3
162	158	-5
164	158	-7.2
166	158	-5.6
168	158	-2.9
170	158	-1.2
172	158	-0.5
174	158	-1
176	158	-2.8
178	158	-6.7
180	158	-15.7
-180	160	-12.2
-178	160	-17.7
-176	160	-7.9
-174	160	-3.5
-172	160	-1.2
-170	160	-0.2
-168	160	-0.2
-166	160	-1
-164	160	-3

-162	160	-6.5
-160	160	-11
-158	160	-8.4
-156	160	-3.9
-154	160	-1
-152	160	0.8
-150	160	1.7
-148	160	2
-146	160	1.7
-144	160	0.8
-142	160	-0.7
-140	160	-2.9
-138	160	-5.4
-136	160	-6.3
-134	160	-4.4
-132	160	-1.8
-130	160	0.3
-128	160	1.8
-126	160	2.9
-124	160	3.7
-122	160	4.2
-120	160	4.4
-118	160	4.5
-116	160	4.4
-114	160	4.2
-112	160	4
-110	160	3.6
-108	160	3.3
-106	160	2.9
-104	160	2.6
-102	160	2.3
-100	160	2
-98	160	1.9
-96	160	1.9
-94	160	1.9
-92	160	2.1
-90	160	2.3
-88	160	2.6
-86	160	2.9
-84	160	3.3
-82	160	3.5
-80	160	3.8
-78	160	4
-76	160	4
-74	160	4
-72	160	3.7
-70	160	3.3
-68	160	2.6
-66	160	1.7
-64	160	0.4
-62	160	-1.1
-60	160	-2.6
-58	160	-3.4
-56	160	-2.9
-54	160	-1.5
-52	160	-0.1
-50	160	1
-48	160	1.7
-46	160	1.9
-44	160	1.7
-42	160	0.9
-40	160	-0.3
-38	160	-1.9
-36	160	-3.3
-34	160	-3.6
-32	160	-2.6
-30	160	-1.3
-28	160	-0.4
-26	160	-0.1
-24	160	-0.4
-22	160	-1.6
-20	160	-3.5
-18	160	-6.1
-16	160	-7.2
-14	160	-5.4
-12	160	-3.1
-10	160	-1.6
-8	160	-1
-6	160	-1.4
-4	160	-2.9
-2	160	-6.1
0	160	-13.1
2	160	-17.4
4	160	-7.5
6	160	-3.3
8	160	-1.1
10	160	-0.2
12	160	-0.2
14	160	-1.1
16	160	-3.2
18	160	-6.9
20	160	-11.1
22	160	-8
24	160	-3.5
26	160	-0.7
28	160	1
30	160	1.8
32	160	2.1
34	160	1.7
36	160	0.8
38	160	-0.8
40	160	-3
42	160	-5.6
44	160	-6.3
46	160	-4.3
48	160	-1.7
50	160	0.3
52	160	1.9
54	160	2.9
56	160	3.7
58	160	4.2
60	160	4.4
62	160	4.5
64	160	4.5
66	160	4.3
68	160	4.1
70	160	3.8
72	160	3.4
74	160	3.1
76	160	2.7
78	160	2.4
80	160	2.2
82	160	2
84	160	1.9
86	160	1.9
88	160	2
90	160	2.2
92	160	2.4
94	160	2.7
96	160	3
98	160	3.3
100	160	3.6
102	160	3.8
104	160	3.9
106	160	3.9
108	160	3.7
110	160	3.3
112	160	2.7

114	160	1.7
116	160	0.5
118	160	-1
120	160	-2.5
122	160	-3.3
124	160	-2.9
126	160	-1.5
128	160	-0.1
130	160	1
132	160	1.7
134	160	1.9
136	160	1.6
138	160	0.9
140	160	-0.4
142	160	-1.9
144	160	-3.4
146	160	-3.6
148	160	-2.6
150	160	-1.2
152	160	-0.3
154	160	0
156	160	-0.4
158	160	-1.5
160	160	-3.5
162	160	-6.2
164	160	-7.5
166	160	-5.6
168	160	-3.1
170	160	-1.6
172	160	-1
174	160	-1.3
176	160	-2.7
178	160	-5.7
180	160	-12.2
-180	162	-9.1
-178	162	-20.2
-176	162	-13.7
-174	162	-6.6
-172	162	-3.2
-170	162	-1.3
-168	162	-0.5
-166	162	-0.4
-164	162	-1
-162	162	-2.5
-160	162	-5
-158	162	-8.7
-156	162	-10.9
-154	162	-7.3
-152	162	-3.7
-150	162	-1.3
-148	162	0.3
-146	162	1.2
-144	162	1.6
-142	162	1.6
-140	162	1.2
-138	162	0.3
-136	162	-1
-134	162	-2.7
-132	162	-4.5
-130	162	-5.9
-128	162	-5.8
-126	162	-4.2
-124	162	-2.5
-122	162	-0.9
-120	162	0.4
-118	162	1.4
-116	162	2.1
-114	162	2.7
-112	162	3.1
-110	162	3.4
-108	162	3.6
-106	162	3.7
-104	162	3.8
-102	162	3.8
-100	162	3.8
-98	162	3.8
-96	162	3.8
-94	162	3.7
-92	162	3.6
-90	162	3.5
-88	162	3.3
-86	162	3.1
-84	162	2.8
-82	162	2.5
-80	162	2
-78	162	1.5
-76	162	0.7
-74	162	-0.1
-72	162	-1.2
-70	162	-2.3
-68	162	-3.4
-66	162	-4
-64	162	-3.8
-62	162	-2.9
-60	162	-1.8
-58	162	-0.6
-56	162	0.3
-54	162	0.9
-52	162	1.3
-50	162	1.3
-48	162	0.9
-46	162	0.1
-44	162	-1
-42	162	-2.4
-40	162	-3.8
-38	162	-4.3
-36	162	-3.6
-34	162	-2.3
-32	162	-1.2
-30	162	-0.4
-28	162	-0.2
-26	162	-0.5
-24	162	-1.5
-22	162	-3.2
-20	162	-5.7
-18	162	-8.3
-16	162	-8
-14	162	-5.4
-12	162	-3.2
-10	162	-1.8
-8	162	-1.3
-6	162	-1.5
-4	162	-2.7
-2	162	-5.1
0	162	-9.8
2	162	-23.6
4	162	-12.9
6	162	-6.3
8	162	-3
10	162	-1.3
12	162	-0.5
14	162	-0.4
16	162	-1.1
18	162	-2.7
20	162	-5.3
22	162	-9.2
24	162	-10.9
26	162	-7

28	162	-3.5
30	162	-1.1
32	162	0.4
34	162	1.2
36	162	1.6
38	162	1.5
40	162	1.1
42	162	0.2
44	162	-1.1
46	162	-2.8
48	162	-4.7
50	162	-6
52	162	-5.8
54	162	-4.3
56	162	-2.5
58	162	-0.9
60	162	0.3
62	162	1.3
64	162	2.1
66	162	2.7
68	162	3.1
70	162	3.4
72	162	3.7
74	162	3.8
76	162	3.9
78	162	3.9
80	162	3.9
82	162	3.9
84	162	3.8
86	162	3.7
88	162	3.6
90	162	3.5
92	162	3.3
94	162	3
96	162	2.8
98	162	2.4
100	162	1.9
102	162	1.4
104	162	0.7
106	162	-0.2
108	162	-1.2
110	162	-2.3
112	162	-3.3
114	162	-3.9
116	162	-3.7
118	162	-2.8
120	162	-1.7
122	162	-0.5
124	162	0.4
126	162	1
128	162	1.3
130	162	1.3
132	162	0.9
134	162	0.1
136	162	-1
138	162	-2.5
140	162	-3.8
142	162	-4.3
144	162	-3.6
146	162	-2.2
148	162	-1
150	162	-0.3
152	162	0
154	162	-0.3
156	162	-1.3
158	162	-3
160	162	-5.5
162	162	-8.1
164	162	-8
166	162	-5.4
168	162	-3.1
170	162	-1.7
172	162	-1.1
174	162	-1.3
176	162	-2.4
178	162	-4.7
180	162	-9.1
-180	164	-6.9
-178	164	-12.8
-176	164	-28.3
-174	164	-11.5
-172	164	-6.1
-170	164	-3.2
-168	164	-1.5
-166	164	-0.6
-164	164	-0.4
-162	164	-0.7
-160	164	-1.6
-158	164	-3.1
-156	164	-5.6
-154	164	-9.1
-152	164	-11.7
-150	164	-9
-148	164	-5.4
-146	164	-2.8
-144	164	-1
-142	164	0.3
-140	164	1.1
-138	164	1.5
-136	164	1.6
-134	164	1.5
-132	164	1.1
-130	164	0.6
-128	164	-0.2
-126	164	-1.2
-124	164	-2.3
-122	164	-3.5
-120	164	-4.7
-118	164	-5.6
-116	164	-6.1
-114	164	-6.1
-112	164	-5.7
-110	164	-5.1
-108	164	-4.5
-106	164	-4
-104	164	-3.6
-102	164	-3.3
-100	164	-3.1
-98	164	-3
-96	164	-3.1
-94	164	-3.2
-92	164	-3.5
-90	164	-3.9
-88	164	-4.4
-86	164	-4.9
-84	164	-5.4
-82	164	-5.8
-80	164	-5.8
-78	164	-5.5
-76	164	-4.8
-74	164	-3.8
-72	164	-2.8
-70	164	-1.7
-68	164	-0.8
-66	164	0
-64	164	0.6
-62	164	1
-60	164	1.3

-58	164	1.3
-56	164	1.1
-54	164	0.6
-52	164	-0.2
-50	164	-1.3
-48	164	-2.7
-46	164	-4.4
-44	164	-5.7
-42	164	-5.8
-40	164	-4.6
-38	164	-3
-36	164	-1.6
-34	164	-0.6
-32	164	-0.1
-30	164	0
-28	164	-0.4
-26	164	-1.4
-24	164	-3
-22	164	-5.5
-20	164	-8.9
-18	164	-11
-16	164	-8.5
-14	164	-5.4
-12	164	-3.2
-10	164	-1.9
-8	164	-1.3
-6	164	-1.5
-4	164	-2.3
-2	164	-4
0	164	-7.1
2	164	-13.2
4	164	-29.4
6	164	-11.4
8	164	-6.1
10	164	-3.2
12	164	-1.6
14	164	-0.7
16	164	-0.4
18	164	-0.7
20	164	-1.6
22	164	-3.2
24	164	-5.7
26	164	-9.1
28	164	-11.7
30	164	-9.1
32	164	-5.5
34	164	-2.9
36	164	-1.1
38	164	0.1
40	164	0.9
42	164	1.3
44	164	1.5
46	164	1.4
48	164	1
50	164	0.5
52	164	-0.2
54	164	-1.1
56	164	-2.2
58	164	-3.2
60	164	-4.3
62	164	-5.1
64	164	-5.6
66	164	-5.6
68	164	-5.3
70	164	-4.8
72	164	-4.3
74	164	-3.8
76	164	-3.4
78	164	-3.1
80	164	-2.9
82	164	-2.8
84	164	-2.9
86	164	-3.1
88	164	-3.4
90	164	-3.8
92	164	-4.3
94	164	-4.9
96	164	-5.5
98	164	-5.9
100	164	-6
102	164	-5.7
104	164	-5
106	164	-4
108	164	-2.9
110	164	-1.8
112	164	-0.9
114	164	0
116	164	0.6
118	164	1.1
120	164	1.3
122	164	1.4
124	164	1.2
126	164	0.7
128	164	-0.1
130	164	-1.2
132	164	-2.6
134	164	-4.3
136	164	-5.7
138	164	-5.9
140	164	-4.7
142	164	-3
144	164	-1.6
146	164	-0.6
148	164	0
150	164	0.1
152	164	-0.3
154	164	-1.3
156	164	-2.8
158	164	-5.2
160	164	-8.4
162	164	-10.5
164	164	-8.3
166	164	-5.3
168	164	-3.1
170	164	-1.9
172	164	-1.3
174	164	-1.4
176	164	-2.2
178	164	-3.9
180	164	-6.9
-180	166	-5.7
-178	166	-9.3
-176	166	-17
-174	166	-22.3
-172	166	-10.9
-170	166	-6.4
-168	166	-3.7
-166	166	-2.1
-164	166	-1.1
-162	166	-0.6
-160	166	-0.6
-158	166	-1
-156	166	-1.8
-154	166	-3.2
-152	166	-5.2
-150	166	-8.2
-148	166	-11.8
-146	166	-12.7

-144	166	-9.1
-142	166	-5.8
-140	166	-3.4
-138	166	-1.7
-136	166	-0.4
-134	166	0.5
-132	166	1.1
-130	166	1.6
-128	166	1.8
-126	166	1.9
-124	166	1.9
-122	166	1.8
-120	166	1.6
-118	166	1.3
-116	166	0.9
-114	166	0.6
-112	166	0.1
-110	166	-0.3
-108	166	-0.7
-106	166	-1
-104	166	-1.4
-102	166	-1.6
-100	166	-1.8
-98	166	-1.9
-96	166	-1.9
-94	166	-1.8
-92	166	-1.6
-90	166	-1.4
-88	166	-1.1
-86	166	-0.7
-84	166	-0.3
-82	166	0.1
-80	166	0.5
-78	166	0.9
-76	166	1.2
-74	166	1.4
-72	166	1.6
-70	166	1.7
-68	166	1.7
-66	166	1.5
-64	166	1.2
-62	166	0.7
-60	166	0.1
-58	166	-0.9
-56	166	-2.1
-54	166	-3.7
-52	166	-5.6
-50	166	-7.5
-48	166	-8.3
-46	166	-7.2
-44	166	-5.3
-42	166	-3.5
-40	166	-2
-38	166	-1
-36	166	-0.4
-34	166	-0.1
-32	166	-0.3
-30	166	-0.8
-28	166	-1.8
-26	166	-3.4
-24	166	-5.7
-22	166	-9
-20	166	-12.6
-18	166	-11.4
-16	166	-7.7
-14	166	-4.9
-12	166	-3.1
-10	166	-2
-8	166	-1.5
-6	166	-1.6
-4	166	-2.2
-2	166	-3.4
0	166	-5.5
2	166	-9.1
4	166	-16.5
6	166	-23
8	166	-11.1
10	166	-6.5
12	166	-3.8
14	166	-2.1
16	166	-1.1
18	166	-0.6
20	166	-0.5
22	166	-0.9
24	166	-1.7
26	166	-3
28	166	-5
30	166	-7.8
32	166	-11.5
34	166	-13.2
36	166	-9.9
38	166	-6.4
40	166	-3.9
42	166	-2
44	166	-0.7
46	166	0.3
48	166	1
50	166	1.5
52	166	1.8
54	166	1.9
56	166	1.9
58	166	1.8
60	166	1.7
62	166	1.4
64	166	1.1
66	166	0.7
68	166	0.3
70	166	-0.1
72	166	-0.5
74	166	-0.9
76	166	-1.2
78	166	-1.5
80	166	-1.7
82	166	-1.8
84	166	-1.9
86	166	-1.8
88	166	-1.7
90	166	-1.5
92	166	-1.2
94	166	-0.9
96	166	-0.5
98	166	-0.1
100	166	0.3
102	166	0.7
104	166	1
106	166	1.3
108	166	1.5
110	166	1.6
112	166	1.6
114	166	1.5
116	166	1.2
118	166	0.8
120	166	0.1
122	166	-0.8
124	166	-1.9
126	166	-3.4
128	166	-5.3
130	166	-7.2

132	166	-8.2
134	166	-7.4
136	166	-5.5
138	166	-3.7
140	166	-2.3
142	166	-1.2
144	166	-0.5
146	166	-0.3
148	166	-0.4
150	166	-0.9
152	166	-1.8
154	166	-3.3
156	166	-5.6
158	166	-8.7
160	166	-11.8
162	166	-10.9
164	166	-7.6
166	166	-4.9
168	166	-3.1
170	166	-2.1
172	166	-1.6
174	166	-1.6
176	166	-2.3
178	166	-3.5
180	166	-5.7
-180	168	-5
-178	168	-7.4
-176	168	-11.4
-174	168	-20.1
-172	168	-22.2
-170	168	-12
-168	168	-7.6
-166	168	-4.9
-164	168	-3.2
-162	168	-2
-160	168	-1.3
-158	168	-0.9
-156	168	-0.9
-154	168	-1.1
-152	168	-1.7
-150	168	-2.5
-148	168	-3.8
-146	168	-5.5
-144	168	-7.8
-142	168	-10.7
-140	168	-13.3
-138	168	-12.7
-136	168	-9.8
-134	168	-7.1
-132	168	-5.1
-130	168	-3.5
-128	168	-2.2
-126	168	-1.3
-124	168	-0.5
-122	168	0.1
-120	168	0.5
-118	168	0.9
-116	168	1.1
-114	168	1.3
-112	168	1.5
-110	168	1.5
-108	168	1.6
-106	168	1.6
-104	168	1.6
-102	168	1.6
-100	168	1.6
-98	168	1.6
-96	168	1.6
-94	168	1.5
-92	168	1.5
-90	168	1.5
-88	168	1.5
-86	168	1.4
-84	168	1.3
-82	168	1.2
-80	168	1.1
-78	168	0.9
-76	168	0.6
-74	168	0.2
-72	168	-0.2
-70	168	-0.8
-68	168	-1.6
-66	168	-2.6
-64	168	-3.7
-62	168	-5.2
-60	168	-6.9
-58	168	-8.8
-56	168	-10.1
-54	168	-9.8
-52	168	-8.2
-50	168	-6.2
-48	168	-4.5
-46	168	-3.1
-44	168	-2.1
-42	168	-1.4
-40	168	-0.9
-38	168	-0.7
-36	168	-0.8
-34	168	-1.2
-32	168	-1.9
-30	168	-3
-28	168	-4.7
-26	168	-6.9
-24	168	-9.9
-22	168	-12.9
-20	168	-12.1
-18	168	-8.9
-16	168	-6.2
-14	168	-4.3
-12	168	-3
-10	168	-2.2
-8	168	-1.9
-6	168	-1.9
-4	168	-2.3
-2	168	-3.3
0	168	-4.8
2	168	-7.1
4	168	-10.9
6	168	-18.9
8	168	-23.3
10	168	-12.3
12	168	-7.7
14	168	-5
16	168	-3.2
18	168	-2
20	168	-1.3
22	168	-0.9
24	168	-0.8
26	168	-1
28	168	-1.5
30	168	-2.4
32	168	-3.6
34	168	-5.3
36	168	-7.6
38	168	-10.6
40	168	-13.8
42	168	-13.7
44	168	-10.5

46	168	-7.6
48	168	-5.3
50	168	-3.7
52	168	-2.4
54	168	-1.3
56	168	-0.6
58	168	0.1
60	168	0.5
62	168	0.9
64	168	1.2
66	168	1.3
68	168	1.5
70	168	1.5
72	168	1.6
74	168	1.6
76	168	1.6
78	168	1.5
80	168	1.5
82	168	1.5
84	168	1.4
86	168	1.4
88	168	1.4
90	168	1.3
92	168	1.3
94	168	1.2
96	168	1.1
98	168	1
100	168	0.8
102	168	0.6
104	168	0.3
106	168	0
108	168	-0.5
110	168	-1
112	168	-1.8
114	168	-2.7
116	168	-3.8
118	168	-5.2
120	168	-6.8
122	168	-8.5
124	168	-9.7
126	168	-9.5
128	168	-8.1
130	168	-6.3
132	168	-4.7
134	168	-3.4
136	168	-2.3
138	168	-1.6
140	168	-1.1
142	168	-0.9
144	168	-1
146	168	-1.4
148	168	-2.1
150	168	-3.2
152	168	-4.8
154	168	-7
156	168	-9.9
158	168	-12.5
160	168	-11.7
162	168	-8.8
164	168	-6.2
166	168	-4.4
168	168	-3.1
170	168	-2.3
172	168	-2
174	168	-2
176	168	-2.5
178	168	-3.4
180	168	-5
-180	170	-4.5
-178	170	-6
-176	170	-8.3
-174	170	-11.7
-172	170	-18.1
-170	170	-30
-168	170	-15.8
-166	170	-10.5
-164	170	-7.4
-162	170	-5.3
-160	170	-3.8
-158	170	-2.8
-156	170	-2
-154	170	-1.5
-152	170	-1.3
-150	170	-1.2
-148	170	-1.3
-146	170	-1.6
-144	170	-2.1
-142	170	-2.7
-140	170	-3.5
-138	170	-4.5
-136	170	-5.7
-134	170	-7.2
-132	170	-8.8
-130	170	-10.5
-128	170	-12
-126	170	-12.6
-124	170	-12.2
-122	170	-11.1
-120	170	-9.8
-118	170	-8.6
-116	170	-7.5
-114	170	-6.6
-112	170	-5.9
-110	170	-5.3
-108	170	-4.9
-106	170	-4.5
-104	170	-4.2
-102	170	-4.1
-100	170	-3.9
-98	170	-3.9
-96	170	-3.9
-94	170	-4
-92	170	-4.1
-90	170	-4.4
-88	170	-4.7
-86	170	-5
-84	170	-5.5
-82	170	-6.1
-80	170	-6.7
-78	170	-7.5
-76	170	-8.4
-74	170	-9.3
-72	170	-10.2
-70	170	-10.8
-68	170	-10.8
-66	170	-10.1
-64	170	-9
-62	170	-7.7
-60	170	-6.4
-58	170	-5.2
-56	170	-4.2
-54	170	-3.3
-52	170	-2.6
-50	170	-2
-48	170	-1.6
-46	170	-1.4
-44	170	-1.3
-42	170	-1.4

-40	170	-1.7
-38	170	-2.2
-36	170	-2.9
-34	170	-3.9
-32	170	-5.3
-30	170	-7.1
-28	170	-9.4
-26	170	-11.8
-24	170	-12.9
-22	170	-11.3
-20	170	-8.8
-18	170	-6.7
-16	170	-5
-14	170	-3.8
-12	170	-3
-10	170	-2.5
-8	170	-2.2
-6	170	-2.3
-4	170	-2.6
-2	170	-3.3
0	170	-4.3
2	170	-5.9
4	170	-8.1
6	170	-11.5
8	170	-17.7
10	170	-36.9
12	170	-16.3
14	170	-10.8
16	170	-7.6
18	170	-5.4
20	170	-3.9
22	170	-2.8
24	170	-2.1
26	170	-1.6
28	170	-1.3
30	170	-1.2
32	170	-1.3
34	170	-1.6
36	170	-2.1
38	170	-2.7
40	170	-3.6
42	170	-4.6
44	170	-5.8
46	170	-7.3
48	170	-9
50	170	-10.7
52	170	-12.3
54	170	-12.9
56	170	-12.4
58	170	-11.2
60	170	-9.9
62	170	-8.6
64	170	-7.6
66	170	-6.7
68	170	-6
70	170	-5.4
72	170	-5
74	170	-4.7
76	170	-4.4
78	170	-4.3
80	170	-4.2
82	170	-4.1
84	170	-4.2
86	170	-4.3
88	170	-4.5
90	170	-4.7
92	170	-5
94	170	-5.4
96	170	-5.9
98	170	-6.5
100	170	-7.1
102	170	-7.8
104	170	-8.6
106	170	-9.4
108	170	-10.1
110	170	-10.4
112	170	-10.2
114	170	-9.5
116	170	-8.4
118	170	-7.2
120	170	-6.1
122	170	-5
124	170	-4.1
126	170	-3.2
128	170	-2.6
130	170	-2.1
132	170	-1.7
134	170	-1.5
136	170	-1.4
138	170	-1.6
140	170	-1.9
142	170	-2.4
144	170	-3.1
146	170	-4.2
148	170	-5.6
150	170	-7.4
152	170	-9.7
154	170	-12.1
156	170	-13
158	170	-11.2
160	170	-8.7
162	170	-6.6
164	170	-5
166	170	-3.8
168	170	-3
170	170	-2.5
172	170	-2.3
174	170	-2.3
176	170	-2.7
178	170	-3.4
180	170	-4.5
-180	172	-3.9
-178	172	-4.8
-176	172	-6
-174	172	-7.7
-172	172	-9.9
-170	172	-13.2
-168	172	-18.7
-166	172	-26.9
-164	172	-18.7
-162	172	-13.3
-160	172	-10
-158	172	-7.8
-156	172	-6.1
-154	172	-4.8
-152	172	-3.8
-150	172	-3.1
-148	172	-2.5
-146	172	-2.1
-144	172	-1.8
-142	172	-1.6
-140	172	-1.5
-138	172	-1.4
-136	172	-1.5
-134	172	-1.6
-132	172	-1.8
-130	172	-2.1
-128	172	-2.4

-126	172	-2.7
-124	172	-3.1
-122	172	-3.5
-120	172	-3.9
-118	172	-4.3
-116	172	-4.7
-114	172	-5
-112	172	-5.4
-110	172	-5.7
-108	172	-6
-106	172	-6.3
-104	172	-6.5
-102	172	-6.6
-100	172	-6.7
-98	172	-6.8
-96	172	-6.7
-94	172	-6.6
-92	172	-6.5
-90	172	-6.3
-88	172	-6.1
-86	172	-5.8
-84	172	-5.5
-82	172	-5.1
-80	172	-4.8
-78	172	-4.4
-76	172	-4
-74	172	-3.6
-72	172	-3.3
-70	172	-2.9
-68	172	-2.6
-66	172	-2.3
-64	172	-2
-62	172	-1.8
-60	172	-1.7
-58	172	-1.6
-56	172	-1.5
-54	172	-1.6
-52	172	-1.7
-50	172	-1.9
-48	172	-2.2
-46	172	-2.7
-44	172	-3.3
-42	172	-4
-40	172	-5
-38	172	-6.1
-36	172	-7.6
-34	172	-9.3
-32	172	-11.3
-30	172	-12.9
-28	172	-13.2
-26	172	-11.8
-24	172	-9.8
-22	172	-7.9
-20	172	-6.4
-18	172	-5.2
-16	172	-4.2
-14	172	-3.5
-12	172	-2.9
-10	172	-2.6
-8	172	-2.5
-6	172	-2.5
-4	172	-2.8
-2	172	-3.2
0	172	-3.9
2	172	-4.8
4	172	-6
6	172	-7.7
8	172	-10
10	172	-13.3
12	172	-18.8
14	172	-29.3
16	172	-19.1
18	172	-13.5
20	172	-10.1
22	172	-7.9
24	172	-6.2
26	172	-4.9
28	172	-3.9
30	172	-3.2
32	172	-2.6
34	172	-2.1
36	172	-1.8
38	172	-1.6
40	172	-1.5
42	172	-1.5
44	172	-1.6
46	172	-1.7
48	172	-1.9
50	172	-2.2
52	172	-2.5
54	172	-2.8
56	172	-3.1
58	172	-3.5
60	172	-3.9
62	172	-4.2
64	172	-4.6
66	172	-5
68	172	-5.3
70	172	-5.6
72	172	-5.8
74	172	-6
76	172	-6.2
78	172	-6.3
80	172	-6.3
82	172	-6.3
84	172	-6.3
86	172	-6.2
88	172	-6
90	172	-5.8
92	172	-5.6
94	172	-5.3
96	172	-5
98	172	-4.7
100	172	-4.4
102	172	-4
104	172	-3.7
106	172	-3.3
108	172	-3
110	172	-2.6
112	172	-2.3
114	172	-2.1
116	172	-1.9
118	172	-1.7
120	172	-1.5
122	172	-1.5
124	172	-1.5
126	172	-1.5
128	172	-1.7
130	172	-1.9
132	172	-2.3
134	172	-2.8
136	172	-3.4
138	172	-4.2
140	172	-5.1
142	172	-6.4
144	172	-7.9
146	172	-9.7
148	172	-11.8

150	172	-13.5
152	172	-13.6
154	172	-11.9
156	172	-9.8
158	172	-7.9
160	172	-6.3
162	172	-5.1
164	172	-4.1
166	172	-3.4
168	172	-2.9
170	172	-2.6
172	172	-2.5
174	172	-2.5
176	172	-2.8
178	172	-3.2
180	172	-3.9
-180	174	-3.2
-178	174	-3.7
-176	174	-4.3
-174	174	-5.1
-172	174	-6.1
-170	174	-7.2
-168	174	-8.7
-166	174	-10.5
-164	174	-12.9
-162	174	-16.2
-160	174	-21.3
-158	174	-26.3
-156	174	-30.7
-154	174	-36
-152	174	-42.9
-150	174	-50.7
-148	174	-59
-146	174	-67.7
-144	174	-76.6
-142	174	-85.7
-140	174	-94.9
-138	174	-104.3
-136	174	-113.8
-134	174	-123.4
-132	174	-133
-130	174	-142.7
-128	174	-152.4
-126	174	-162.2
-124	174	-172.1
-122	174	-181.9
-120	174	-191.8
-118	174	-201.7
-116	174	-211.7
-114	174	-221.6
-112	174	-231.6
-110	174	-241.6
-108	174	-251.5
-106	174	-261.5
-104	174	-271.5
-102	174	-281.5
-100	174	-291.5
-98	174	-301.5
-96	174	-311.5
-94	174	-321.5
-92	174	-331.5
-90	174	-341.5
-88	174	-351.5
-86	174	-361.5
-84	174	-371.6
-82	174	-381.6
-80	174	-391.6
-78	174	-401.7
-76	174	-411.8
-74	174	-421.9
-72	174	-432
-70	174	-442.1
-68	174	-452.3
-66	174	-462.5
-64	174	-472.8
-62	174	-483.1
-60	174	-493.4
-58	174	-503.9
-56	174	-514.4
-54	174	-525
-52	174	-535.7
-50	174	-546.6
-48	174	-557.6
-46	174	-568.8
-44	174	-580.1
-42	174	-591.7
-40	174	-603.4
-38	174	-615.7
-36	174	-628.9
-34	174	-642.9
-32	174	-657.2
-30	174	-671.4
-28	174	-686.9
-26	174	-702.5
-24	174	-718.4
-22	174	-734.5
-20	174	-750.6
-18	174	-767
-16	174	-783.5
-14	174	-800.1
-12	174	-816.8
-10	174	-833.6
-8	174	-850.6
-6	174	-867.6
-4	174	-884.7
-2	174	-901.3
0	174	-918.3
2	174	-935.8
4	174	-953.4
6	174	-971.2
8	174	-989.1
10	174	-1007.3
12	174	-1025.8
14	174	-1044.6
16	174	-1063.3
18	174	-1082.4
20	174	-1101.5
22	174	-1120.5
24	174	-1139.8
26	174	-1159.1
28	174	-1178.3
30	174	-1197.8
32	174	-1217.1
34	174	-1236.8
36	174	-1256.7
38	174	-1276.8
40	174	-1297
42	174	-1317.4
44	174	-1338.1
46	174	-1358.9
48	174	-1379.3
50	174	-1399.8
52	174	-1420.5
54	174	-1441.3
56	174	-1462.1
58	174	-1482.2
60	174	-1502.9
62	174	-1523.8

64	174	-1.7
66	174	-1.6
68	174	-1.6
70	174	-1.6
72	174	-1.5
74	174	-1.5
76	174	-1.5
78	174	-1.5
80	174	-1.4
82	174	-1.4
84	174	-1.4
86	174	-1.4
88	174	-1.4
90	174	-1.4
92	174	-1.4
94	174	-1.4
96	174	-1.4
98	174	-1.5
100	174	-1.5
102	174	-1.6
104	174	-1.6
106	174	-1.7
108	174	-1.9
110	174	-2
112	174	-2.2
114	174	-2.4
116	174	-2.7
118	174	-3
120	174	-3.4
122	174	-3.8
124	174	-4.4
126	174	-5
128	174	-5.8
130	174	-6.6
132	174	-7.7
134	174	-8.9
136	174	-10.4
138	174	-12.1
140	174	-13.9
142	174	-15.3
144	174	-15.4
146	174	-14.1
148	174	-12.2
150	174	-10.4
152	174	-8.8
154	174	-7.4
156	174	-6.3
158	174	-5.3
160	174	-4.5
162	174	-3.9
164	174	-3.4
166	174	-3
168	174	-2.7
170	174	-2.5
172	174	-2.5
174	174	-2.5
176	174	-2.6
178	174	-2.9
180	174	-3.2
-180	176	-2.6
-178	176	-2.8
-176	176	-3.1
-174	176	-3.4
-172	176	-3.7
-170	176	-4.1
-168	176	-4.6
-166	176	-5.1
-164	176	-5.7
-162	176	-6.4
-160	176	-7.2
-158	176	-8.1
-156	176	-9
-154	176	-10.2
-152	176	-11.4
-150	176	-13
-148	176	-14.7
-146	176	-16.9
-144	176	-19.7
-142	176	-23.2
-140	176	-26.5
-138	176	-25.7
-136	176	-22.3
-134	176	-19.4
-132	176	-17.2
-130	176	-15.5
-128	176	-14.1
-126	176	-13
-124	176	-12.1
-122	176	-11.3
-120	176	-10.6
-118	176	-10
-116	176	-9.5
-114	176	-9.1
-112	176	-8.8
-110	176	-8.5
-108	176	-8.2
-106	176	-8.1
-104	176	-7.9
-102	176	-7.8
-100	176	-7.7
-98	176	-7.7
-96	176	-7.7
-94	176	-7.7
-92	176	-7.8
-90	176	-7.9
-88	176	-8
-86	176	-8.2
-84	176	-8.5
-82	176	-8.7
-80	176	-9.1
-78	176	-9.5
-76	176	-9.9
-74	176	-10.5
-72	176	-11.1
-70	176	-11.8
-68	176	-12.6
-66	176	-13.5
-64	176	-14.6
-62	176	-15.7
-60	176	-16.9
-58	176	-18
-56	176	-18.6
-54	176	-18.3
-52	176	-17.3
-50	176	-15.9
-48	176	-14.4
-46	176	-12.9
-44	176	-11.6
-42	176	-10.4
-40	176	-9.4
-38	176	-8.4
-36	176	-7.5
-34	176	-6.8
-32	176	-6.1
-30	176	-5.5
-28	176	-4.9
-26	176	-4.4
-24	176	-4

-22	176	-3.6
-20	176	-3.3
-18	176	-3
-16	176	-2.8
-14	176	-2.6
-12	176	-2.5
-10	176	-2.4
-8	176	-2.4
-6	176	-2.4
-4	176	-2.5
-2	176	-2.6
0	176	-2.7
2	176	-2.9
4	176	-3.2
6	176	-3.4
8	176	-3.8
10	176	-4.2
12	176	-4.7
14	176	-5.2
16	176	-5.8
18	176	-6.5
20	176	-7.2
22	176	-8.1
24	176	-9.1
26	176	-10.2
28	176	-11.4
30	176	-12.9
32	176	-14.6
34	176	-16.7
36	176	-19.3
38	176	-22.3
40	176	-24.9
42	176	-24.5
44	176	-21.9
46	176	-19.3
48	176	-17.2
50	176	-15.5
52	176	-14.1
54	176	-13
56	176	-12.1
58	176	-11.3
60	176	-10.7
62	176	-10.1
64	176	-9.6
66	176	-9.2
68	176	-8.8
70	176	-8.5
72	176	-8.3
74	176	-8.1
76	176	-7.9
78	176	-7.8
80	176	-7.7
82	176	-7.7
84	176	-7.7
86	176	-7.7
88	176	-7.8
90	176	-7.9
92	176	-8
94	176	-8.2
96	176	-8.4
98	176	-8.7
100	176	-9.1
102	176	-9.5
104	176	-9.9
106	176	-10.4
108	176	-11.1
110	176	-11.8
112	176	-12.6
114	176	-13.5
116	176	-14.6
118	176	-15.8
120	176	-17
122	176	-18
124	176	-18.6
126	176	-18.3
128	176	-17.2
130	176	-15.8
132	176	-14.3
134	176	-12.8
136	176	-11.5
138	176	-10.3
140	176	-9.2
142	176	-8.3
144	176	-7.4
146	176	-6.6
148	176	-6
150	176	-5.3
152	176	-4.8
154	176	-4.3
156	176	-3.9
158	176	-3.5
160	176	-3.2
162	176	-2.9
164	176	-2.7
166	176	-2.5
168	176	-2.4
170	176	-2.3
172	176	-2.3
174	176	-2.3
176	176	-2.4
178	176	-2.5
180	176	-2.6
-180	178	-2.2
-178	178	-2.2
-176	178	-2.3
-174	178	-2.3
-172	178	-2.4
-170	178	-2.5
-168	178	-2.6
-166	178	-2.7
-164	178	-2.8
-162	178	-3
-160	178	-3.1
-158	178	-3.3
-156	178	-3.4
-154	178	-3.6
-152	178	-3.8
-150	178	-3.9
-148	178	-4.1
-146	178	-4.3
-144	178	-4.5
-142	178	-4.7
-140	178	-4.9
-138	178	-5.1
-136	178	-5.3
-134	178	-5.5
-132	178	-5.7
-130	178	-5.9
-128	178	-6.1
-126	178	-6.3
-124	178	-6.5
-122	178	-6.7
-120	178	-6.9
-118	178	-7
-116	178	-7.2
-114	178	-7.3
-112	178	-7.5
-110	178	-7.6

-108	178	-7.7
-106	178	-7.8
-104	178	-7.8
-102	178	-7.9
-100	178	-7.9
-98	178	-7.9
-96	178	-7.9
-94	178	-7.9
-92	178	-7.9
-90	178	-7.8
-88	178	-7.7
-86	178	-7.6
-84	178	-7.5
-82	178	-7.4
-80	178	-7.3
-78	178	-7.1
-76	178	-7
-74	178	-6.8
-72	178	-6.6
-70	178	-6.4
-68	178	-6.2
-66	178	-6
-64	178	-5.8
-62	178	-5.6
-60	178	-5.4
-58	178	-5.2
-56	178	-5
-54	178	-4.8
-52	178	-4.6
-50	178	-4.4
-48	178	-4.3
-46	178	-4.1
-44	178	-3.9
-42	178	-3.7
-40	178	-3.5
-38	178	-3.4
-36	178	-3.2
-34	178	-3.1
-32	178	-3
-30	178	-2.8
-28	178	-2.7
-26	178	-2.6
-24	178	-2.5
-22	178	-2.4
-20	178	-2.4
-18	178	-2.3
-16	178	-2.2
-14	178	-2.2
-12	178	-2.2
-10	178	-2.1
-8	178	-2.1
-6	178	-2.1
-4	178	-2.1
-2	178	-2.2
0	178	-2.2
2	178	-2.2
4	178	-2.3
6	178	-2.4
8	178	-2.5
10	178	-2.5
12	178	-2.6
14	178	-2.7
16	178	-2.9
18	178	-3
20	178	-3.1
22	178	-3.3
24	178	-3.4
26	178	-3.6
28	178	-3.8
30	178	-3.9
32	178	-4.1
34	178	-4.3
36	178	-4.5
38	178	-4.7
40	178	-4.9
42	178	-5.1
44	178	-5.3
46	178	-5.5
48	178	-5.7
50	178	-5.9
52	178	-6.1
54	178	-6.3
56	178	-6.4
58	178	-6.6
60	178	-6.8
62	178	-7
64	178	-7.1
66	178	-7.2
68	178	-7.4
70	178	-7.5
72	178	-7.6
74	178	-7.7
76	178	-7.7
78	178	-7.8
80	178	-7.8
82	178	-7.8
84	178	-7.8
86	178	-7.8
88	178	-7.7
90	178	-7.7
92	178	-7.6
94	178	-7.5
96	178	-7.4
98	178	-7.3
100	178	-7.2
102	178	-7
104	178	-6.9
106	178	-6.7
108	178	-6.5
110	178	-6.3
112	178	-6.1
114	178	-6
116	178	-5.8
118	178	-5.6
120	178	-5.4
122	178	-5.2
124	178	-5
126	178	-4.8
128	178	-4.6
130	178	-4.4
132	178	-4.2
134	178	-4
136	178	-3.8
138	178	-3.6
140	178	-3.5
142	178	-3.3
144	178	-3.2
146	178	-3
148	178	-2.9
150	178	-2.8
152	178	-2.7
154	178	-2.6
156	178	-2.5
158	178	-2.4
160	178	-2.3
162	178	-2.2
164	178	-2.2
166	178	-2.1

168	178	-2.1
170	178	-2.1
172	178	-2.1
174	178	-2.1
176	178	-2.1
178	178	-2.1
180	178	-2.2
-180	180	-2
-178	180	-2
-176	180	-2
-174	180	-2
-172	180	-2
-170	180	-2
-168	180	-2
-166	180	-2
-164	180	-2
-162	180	-2
-160	180	-2
-158	180	-2
-156	180	-2
-154	180	-2
-152	180	-2
-150	180	-2
-148	180	-2
-146	180	-2
-144	180	-2
-142	180	-2
-140	180	-2
-138	180	-2
-136	180	-2
-134	180	-2
-132	180	-2
-130	180	-2
-128	180	-2
-126	180	-2
-124	180	-2
-122	180	-2
-120	180	-2
-118	180	-2
-116	180	-2
-114	180	-2
-112	180	-2
-110	180	-2
-108	180	-2
-106	180	-2
-104	180	-2
-102	180	-2
-100	180	-2
-98	180	-2
-96	180	-2
-94	180	-2
-92	180	-2
-90	180	-2
-88	180	-2
-86	180	-2
-84	180	-2
-82	180	-2
-80	180	-2
-78	180	-2
-76	180	-2
-74	180	-2
-72	180	-2
-70	180	-2
-68	180	-2
-66	180	-2
-64	180	-2
-62	180	-2
-60	180	-2
-58	180	-2
-56	180	-2
-54	180	-2
-52	180	-2
-50	180	-2
-48	180	-2
-46	180	-2
-44	180	-2
-42	180	-2
-40	180	-2
-38	180	-2
-36	180	-2
-34	180	-2
-32	180	-2
-30	180	-2
-28	180	-2
-26	180	-2
-24	180	-2
-22	180	-2
-20	180	-2
-18	180	-2
-16	180	-2
-14	180	-2
-12	180	-2
-10	180	-2
-8	180	-2
-6	180	-2
-4	180	-2
-2	180	-2
0	180	-2
2	180	-2
4	180	-2
6	180	-2
8	180	-2
10	180	-2
12	180	-2
14	180	-2
16	180	-2
18	180	-2
20	180	-2
22	180	-2
24	180	-2
26	180	-2
28	180	-2
30	180	-2
32	180	-2
34	180	-2
36	180	-2
38	180	-2
40	180	-2
42	180	-2
44	180	-2
46	180	-2
48	180	-2
50	180	-2
52	180	-2
54	180	-2
56	180	-2
58	180	-2
60	180	-2
62	180	-2
64	180	-2
66	180	-2
68	180	-2
70	180	-2
72	180	-2
74	180	-2
76	180	-2
78	180	-2
80	180	-2

82	180	-2
84	180	-2
86	180	-2
88	180	-2
90	180	-2
92	180	-2
94	180	-2
96	180	-2
98	180	-2
100	180	-2
102	180	-2
104	180	-2
106	180	-2
108	180	-2
110	180	-2
112	180	-2
114	180	-2
116	180	-2
118	180	-2
120	180	-2
122	180	-2
124	180	-2
126	180	-2
128	180	-2
130	180	-2
132	180	-2
134	180	-2
136	180	-2
138	180	-2
140	180	-2
142	180	-2
144	180	-2
146	180	-2
148	180	-2
150	180	-2
152	180	-2
154	180	-2
156	180	-2
158	180	-2
160	180	-2
162	180	-2
164	180	-2
166	180	-2
168	180	-2
170	180	-2
172	180	-2
174	180	-2
176	180	-2
178	180	-2
180	180	-2

Phi[deg]	Theta[deg]	dB(GainTotal RHCP)
-180	0	1.14164
-178	0	1.14164
-176	0	1.14164
-174	0	1.14164
-172	0	1.14164
-170	0	1.14164
-168	0	1.14164
-166	0	1.14164
-164	0	1.14164
-162	0	1.14164
-160	0	1.14164
-158	0	1.14164
-156	0	1.14164
-154	0	1.14164
-152	0	1.14164
-150	0	1.14164
-148	0	1.14164
-146	0	1.14164
-144	0	1.14164
-142	0	1.14164
-140	0	1.14164
-138	0	1.14164
-136	0	1.14164
-134	0	1.14164
-132	0	1.14164
-130	0	1.14164
-128	0	1.14164
-126	0	1.14164
-124	0	1.14164
-122	0	1.14164
-120	0	1.14164
-118	0	1.14164
-116	0	1.14164
-114	0	1.14164
-112	0	1.14164
-110	0	1.14164
-108	0	1.14164
-106	0	1.14164
-104	0	1.14164
-102	0	1.14164
-100	0	1.14164
-98	0	1.14164
-96	0	1.14164
-94	0	1.14164
-92	0	1.14164
-90	0	1.14164
-88	0	1.14164
-86	0	1.14164
-84	0	1.14164
-82	0	1.14164
-80	0	1.14164
-78	0	1.14164
-76	0	1.14164
-74	0	1.14164
-72	0	1.14164
-70	0	1.14164
-68	0	1.14164
-66	0	1.14164
-64	0	1.14164
-62	0	1.14164
-60	0	1.14164
-58	0	1.14164
-56	0	1.14164
-54	0	1.14164
-52	0	1.14164
-50	0	1.14164
-48	0	1.14164
-46	0	1.14164
-44	0	1.14164
-42	0	1.14164
-40	0	1.14164
-38	0	1.14164
-36	0	1.14164
-34	0	1.14164
-32	0	1.14164
-30	0	1.14164
-28	0	1.14164
-26	0	1.14164
-24	0	1.14164
-22	0	1.14164
-20	0	1.14164
-18	0	1.14164
-16	0	1.14164
-14	0	1.14164
-12	0	1.14164
-10	0	1.14164
-8	0	1.14164
-6	0	1.14164
-4	0	1.14164
-2	0	1.14164
0	0	1.14164
2	0	1.14164
4	0	1.14164
6	0	1.14164
8	0	1.14164
10	0	1.14164
12	0	1.14164
14	0	1.14164
16	0	1.14164
18	0	1.14164
20	0	1.14164
22	0	1.14164
24	0	1.14164
26	0	1.14164
28	0	1.14164
30	0	1.14164
32	0	1.14164
34	0	1.14164
36	0	1.14164
38	0	1.14164
40	0	1.14164
42	0	1.14164
44	0	1.14164
46	0	1.14164
48	0	1.14164
50	0	1.14164

STAGE 3 ATM ANTENNA NOTES:

PHI AND THETA ARE ANGLES WITHIN THE OTM ANTENNA REFERENCE FRAME.
 X, Y AND Z ARE DIRECTIONS IN CARTESIAN FRAMES
 ANTENNA CARTESIAN FRAME DEFINED W.R.T. VEHICLE BODY FRAME BY DCM.
 VEHICLE BODY FRAME Y AXIS IS ORIENTATED ALONG VEHICLE MAIN AXIS (CYLINDER AXIS).
 VEHICLE BODY FRAME X AND Z AXES COLINEAR TO VEHICLE CYLINDER BASE PLANE. WITH Z AT VEHICLE DATUM.
 MAGENTA CIRCLES REPRESENT ANTENNA PAIR MOUNTINGS.
 ALL ANTENNAS ON STAGE 3 ARE RHCP.
 Angle BODY to ANT -27.5 deg
 -0.47997 rad

THE COORDINATES OF THE ANTENNA FRAME VECTORS IN THE BODY FRAME ARE THE FOLLOWING

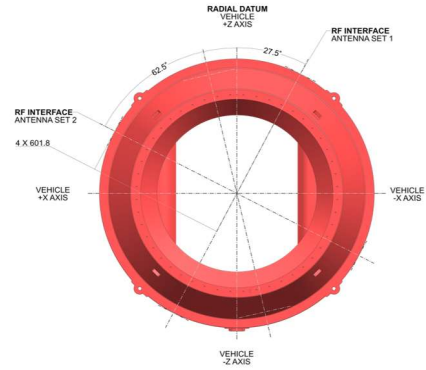
	X_BODY	Y_BODY	Z_BODY
X_ANT	-0.46175	0	0.887011
Y_ANT	0.887011	0	0.461749
Z_ANT	0	1	0

STAGE 3 ANTENNAS - POSITIONS

Each antenna set is a pair of antennas 180 degrees from each other.

- Antenna Set 1: Tx S-Band
- Antenna Set 2: Rx L-Band (GPS L1 & L2)

Ref: [20240313 HASTE Customer ICD - Payload Class A.pptx](#)
[\(sharepoint.us\)](#)



52	0	1.14164
54	0	1.14164
56	0	1.14164
58	0	1.14164
60	0	1.14164
62	0	1.14164
64	0	1.14164
66	0	1.14164
68	0	1.14164
70	0	1.14164
72	0	1.14164
74	0	1.14164
76	0	1.14164
78	0	1.14164
80	0	1.14164
82	0	1.14164
84	0	1.14164
86	0	1.14164
88	0	1.14164
90	0	1.14164
92	0	1.14164
94	0	1.14164
96	0	1.14164
98	0	1.14164
100	0	1.14164
102	0	1.14164
104	0	1.14164
106	0	1.14164
108	0	1.14164
110	0	1.14164
112	0	1.14164
114	0	1.14164
116	0	1.14164
118	0	1.14164
120	0	1.14164
122	0	1.14164
124	0	1.14164
126	0	1.14164
128	0	1.14164
130	0	1.14164
132	0	1.14164
134	0	1.14164
136	0	1.14164
138	0	1.14164
140	0	1.14164
142	0	1.14164
144	0	1.14164
146	0	1.14164
148	0	1.14164
150	0	1.14164
152	0	1.14164
154	0	1.14164
156	0	1.14164
158	0	1.14164
160	0	1.14164
162	0	1.14164
164	0	1.14164
166	0	1.14164
168	0	1.14164
170	0	1.14164
172	0	1.14164
174	0	1.14164
176	0	1.14164
178	0	1.14164
180	0	1.14164
-180	2	3.905513
-178	2	3.904858
-176	2	3.906855
-174	2	3.911471
-172	2	3.918619
-170	2	3.928175
-168	2	3.939951
-166	2	3.953749
-164	2	3.9693
-162	2	3.986308
-160	2	4.004442
-158	2	4.023329
-156	2	4.042574
-154	2	4.061747
-152	2	4.08039
-150	2	4.09803
-148	2	4.114171
-146	2	4.128287
-144	2	4.139844
-142	2	4.148307
-140	2	4.153112
-138	2	4.15369
-136	2	4.14947
-134	2	4.139875
-132	2	4.12432
-130	2	4.102216
-128	2	4.072968
-126	2	4.03599
-124	2	3.990676
-122	2	3.936436
-120	2	3.872669
-118	2	3.798763
-116	2	3.71412
-114	2	3.618116
-112	2	3.51013
-110	2	3.389529
-108	2	3.2556677
-106	2	3.1078854
-104	2	2.945492
-102	2	2.767791
-100	2	2.574033
-98	2	2.363461
-96	2	2.13525
-94	2	1.88853
-92	2	1.62238
-90	2	1.33579
-88	2	1.02786
-86	2	0.69721
-84	2	0.3425
-82	2	-0.03774
-80	2	-0.44519
-78	2	-0.88173

-76	2	-1.34952
-74	2	-1.85107
-72	2	-2.38929
-70	2	-2.96762
-68	2	-3.59017
-66	2	-4.26186
-64	2	-4.98874
-62	2	-5.77831
-60	2	-6.63999
-58	2	-7.5859
-56	2	-8.6319
-54	2	-9.7993
-52	2	-11.1176
-50	2	-12.6288
-48	2	-14.3951
-46	2	-16.5109
-44	2	-19.1166
-42	2	-22.3528
-40	2	-25.698
-38	2	-25.9419
-36	2	-22.9828
-34	2	-20.0862
-32	2	-17.8214
-30	2	-16.0517
-28	2	-14.6356
-26	2	-13.4775
-24	2	-12.515
-22	2	-11.7059
-20	2	-11.0206
-18	2	-10.4381
-16	2	-9.9429
-14	2	-9.5233
-12	2	-9.1704
-10	2	-8.8775
-8	2	-8.6392
-6	2	-8.4517
-4	2	-8.3119
-2	2	-8.2178
0	2	-8.1678
2	2	-8.1619
4	2	-8.1994
6	2	-8.2808
8	2	-8.4074
10	2	-8.5811
12	2	-8.8046
14	2	-9.0816
16	2	-9.4171
18	2	-9.8174
20	2	-10.2907
22	2	-10.848
24	2	-11.5039
26	2	-12.278
28	2	-13.1975
30	2	-14.302
32	2	-15.6499
34	2	-17.3323
36	2	-19.4949
38	2	-22.3522
40	2	-25.8774
42	2	-27.2622
44	2	-23.9284
46	2	-20.255
48	2	-17.3627
50	2	-15.0681
52	2	-13.183
54	2	-11.5879
56	2	-10.2074
58	2	-8.9918
60	2	-7.9074
62	2	-6.93
64	2	-6.04198
66	2	-5.22994
68	2	-4.48355
70	2	-3.79475
72	2	-3.157
74	2	-2.56501
76	2	-2.01442
78	2	-1.50159
80	2	-1.02341
82	2	-0.57727
84	2	-0.16089
86	2	0.22769
88	2	0.59022
90	2	0.92824
92	2	1.2433
94	2	1.53646
96	2	1.80885
98	2	2.06149
100	2	2.295342
102	2	2.511284
104	2	2.710156
106	2	2.892741
108	2	3.059788
110	2	3.2120035
112	2	3.350098
114	2	3.474717
116	2	3.586523
118	2	3.686158
120	2	3.774242
122	2	3.851384
124	2	3.918211
126	2	3.975324
128	2	4.023323
130	2	4.06281
132	2	4.094376
134	2	4.118617
136	2	4.136133
138	2	4.147502
140	2	4.15331
142	2	4.154147
144	2	4.150578
146	2	4.143189
148	2	4.132524
150	2	4.119135
152	2	4.103565
154	2	4.086332
156	2	4.067945

158	2	4.048884
160	2	4.029613
162	2	4.010567
164	2	3.992156
166	2	3.974767
168	2	3.958723
170	2	3.944357
172	2	3.931923
174	2	3.921655
176	2	3.913746
178	2	3.908334
180	2	3.905513
-180	4	-6.08367
-178	4	-6.09519
-176	4	-6.0417
-174	4	-5.92451
-172	4	-5.7463
-170	4	-5.5112
-168	4	-5.22444
-166	4	-4.89185
-164	4	-4.51997
-162	4	-4.11538
-160	4	-3.68471
-158	4	-3.23432
-156	4	-2.77016
-154	4	-2.29775
-152	4	-1.82202
-150	4	-1.34743
-148	4	-0.87869
-146	4	-0.41844
-144	4	0.03032
-142	4	0.46493
-140	4	0.88308
-138	4	1.28275
-136	4	1.66212
-134	4	2.01957
-132	4	2.353628
-130	4	2.662953
-128	4	2.946273
-126	4	3.20238435
-124	4	3.430129
-122	4	3.628348
-120	4	3.795893
-118	4	3.93193
-116	4	4.03486
-114	4	4.103387
-112	4	4.136107
-110	4	4.131498
-108	4	4.087884
-106	4	4.003392
-104	4	3.875899
-102	4	3.702989
-100	4	3.481847
-98	4	3.20919172
-96	4	2.881115
-94	4	2.492924
-92	4	2.03888
-90	4	1.51187
-88	4	0.90332
-86	4	0.20125
-84	4	-0.60962
-82	4	-1.55002
-80	4	-2.64907
-78	4	-3.94942
-76	4	-5.51707
-74	4	-7.4617
-72	4	-9.985
-70	4	-13.5137
-68	4	-19.0986
-66	4	-24.6084
-64	4	-17.639
-62	4	-12.8115
-60	4	-9.7002
-58	4	-7.4562
-56	4	-5.72615
-54	4	-4.33626
-52	4	-3.189
-50	4	-2.2242
-48	4	-1.40205
-46	4	-0.69483
-44	4	-0.0823
-42	4	0.45075
-40	4	0.91616
-38	4	1.32333
-36	4	1.67992
-34	4	1.99228
-32	4	2.265739
-30	4	2.504865
-28	4	2.71275
-26	4	2.893639
-24	4	3.050575
-22	4	3.1862281
-20	4	3.302941
-18	4	3.40284
-16	4	3.487776
-14	4	3.559393
-12	4	3.619131
-10	4	3.66824
-8	4	3.707785
-6	4	3.738644
-4	4	3.761534
-2	4	3.776993
0	4	3.785379
2	4	3.785903
4	4	3.779577
6	4	3.766265
8	4	3.745644
10	4	3.717226
12	4	3.680374
14	4	3.634237
16	4	3.577817
18	4	3.509912
20	4	3.429146
22	4	3.333942
24	4	3.224918
26	4	3.092784
28	4	2.942531

30	4	2.76914
32	4	2.568881
34	4	2.339304
36	4	2.07663
38	4	1.77649
40	4	1.43379
42	4	1.04252
44	4	0.59543
46	4	0.08369
48	4	-0.50378
50	4	-1.18109
52	4	-1.96684
54	4	-2.88635
56	4	-3.97542
58	4	-5.28756
60	4	-6.9079
62	4	-8.9851
64	4	-11.814
66	4	-16.11
68	4	-23.9709
70	4	-22.3672
72	4	-15.1167
74	4	-11.0038
76	4	-8.2
78	4	-6.09077
80	4	-4.41427
82	4	-3.03584
84	4	-1.87747
86	4	-0.88998
88	4	-0.04044
90	4	0.69426
92	4	1.33134
94	4	1.88309
96	4	2.35922
98	4	2.767406
100	4	3.1137776
102	4	3.403344
104	4	3.640235
106	4	3.827919
108	4	3.969354
110	4	4.067067
112	4	4.123267
114	4	4.139904
116	4	4.118717
118	4	4.061266
120	4	3.968994
122	4	3.84359
124	4	3.685968
126	4	3.49732
128	4	3.2788181
130	4	3.031602
132	4	2.756856
134	4	2.455745
136	4	2.12954
138	4	1.77955
140	4	1.40721
142	4	1.01409
144	4	0.60195
146	4	0.17273
148	4	-0.27132
150	4	-0.72769
152	4	-1.19437
154	4	-1.66721
156	4	-2.14247
158	4	-2.61588
160	4	-3.0827
162	4	-3.5376
164	4	-3.97484
166	4	-4.38819
168	4	-4.77118
170	4	-5.11717
172	4	-5.41968
174	4	-5.67251
176	4	-5.87025
178	4	-6.00839
180	4	-6.08367
-180	6	0.67798
-178	6	0.68247
-176	6	0.65043
-174	6	0.58116
-172	6	0.47326
-170	6	0.32437
-168	6	0.13124
-166	6	-0.11047
-164	6	-0.40637
-162	6	-0.76378
-160	6	-1.19242
-158	6	-1.70489
-156	6	-2.31601
-154	6	-3.04691
-152	6	-3.92667
-150	6	-4.99655
-148	6	-6.3177
-146	6	-7.9845
-144	6	-10.1467
-142	6	-13.0181
-140	6	-16.5089
-138	6	-17.5916
-136	6	-14.1773
-134	6	-10.5898
-132	6	-7.7878
-130	6	-5.58358
-128	6	-3.79873
-126	6	-2.31911
-124	6	-1.07312
-122	6	-0.01432
-120	6	0.88851
-118	6	1.65692
-116	6	2.306083
-114	6	2.84672
-112	6	3.2863504
-110	6	3.630042
-108	6	3.881376
-106	6	4.041517
-104	6	4.110309
-102	6	4.08627
-100	6	3.966387

-98	6	3.745868
-96	6	3.417799
-94	6	2.972485
-92	6	2.396481
-90	6	1.67098
-88	6	0.76972
-86	6	-0.34768
-84	6	-1.74297
-82	6	-3.51882
-80	6	-5.86374
-78	6	-9.1801
-76	6	-14.5572
-74	6	-23.2886
-72	6	-15.2554
-70	6	-9.6746
-68	6	-6.3149
-66	6	-3.97445
-64	6	-2.21878
-62	6	-0.84656
-60	6	0.25165
-58	6	1.14209
-56	6	1.86805
-54	6	2.459557
-52	6	2.938446
-50	6	3.321215
-48	6	3.620806
-46	6	3.847892
-44	6	4.010916
-42	6	4.11723
-40	6	4.172295
-38	6	4.182624
-36	6	4.153604
-34	6	4.090108
-32	6	3.99675
-30	6	3.877965
-28	6	3.738058
-26	6	3.581264
-24	6	3.411776
-22	6	3.2337526
-20	6	3.051333
-18	6	2.867609
-16	6	2.68718
-14	6	2.514375
-12	6	2.352954
-10	6	2.206472
-8	6	2.07822
-6	6	1.97104
-4	6	1.8874
-2	6	1.82925
0	6	1.79793
2	6	1.79273
4	6	1.81521
6	6	1.86485
8	6	1.94048
10	6	2.04034
12	6	2.16214
14	6	2.303137
16	6	2.460149
18	6	2.629743
20	6	2.807777
22	6	2.989821
24	6	3.1728421
26	6	3.352758
28	6	3.52543
30	6	3.686702
32	6	3.832408
34	6	3.958309
36	6	4.060123
38	6	4.133461
40	6	4.173765
42	6	4.176105
44	6	4.134597
46	6	4.044628
48	6	3.900003
50	6	3.693973
52	6	3.41801
54	6	3.06226
56	6	2.614647
58	6	2.05989
60	6	1.37797
62	6	0.54172
64	6	-0.48756
66	6	-1.76798
68	6	-3.39347
70	6	-5.53159
72	6	-8.529
74	6	-13.3054
76	6	-23.3491
78	6	-17.586
80	6	-10.656
82	6	-6.8118
84	6	-4.20308
86	6	-2.26658
88	6	-0.76109
90	6	0.43827
92	6	1.40471
94	6	2.18348
96	6	2.805061
98	6	3.290558
100	6	3.654948
102	6	3.909005
104	6	4.060477
106	6	4.114792
108	6	4.075506
110	6	3.944747
112	6	3.72333
114	6	3.409861
116	6	3.00181
118	6	2.494817
120	6	1.88232
122	6	1.15488
124	6	0.29917
126	6	-0.7036
128	6	-1.88028
130	6	-3.27009
132	6	-4.93174
134	6	-6.9537

136	6	-9.4722
138	6	-12.6296
140	6	-15.9961
142	6	-16.518
144	6	-13.6565
146	6	-10.7487
148	6	-8.4783
150	6	-6.71849
152	6	-5.3247
154	6	-4.19805
156	6	-3.27315
158	6	-2.50562
160	6	-1.86421
162	6	-1.32723
164	6	-0.87724
166	6	-0.50097
168	6	-0.18843
170	6	0.06807
172	6	0.27455
174	6	0.43573
176	6	0.55515
178	6	0.63534
180	6	0.67798
-180	8	4.177673
-178	8	4.175545
-176	8	4.180288
-174	8	4.19135
-172	8	4.20753
-170	8	4.22702
-168	8	4.2473
-166	8	4.26536
-164	8	4.27602
-162	8	4.27627
-160	8	4.26173
-158	8	4.22709
-156	8	4.166385
-154	8	4.073016
-152	8	3.93949
-150	8	3.757218
-148	8	3.515007
-146	8	3.20296909
-144	8	2.807296
-142	8	2.310848
-140	8	1.69169
-138	8	0.92052
-136	8	-0.04368
-134	8	-1.2613
-132	8	-2.82796
-130	8	-4.91001
-128	8	-7.8263
-126	8	-12.2455
-124	8	-17.7273
-122	8	-13.587
-120	8	-8.4318
-118	8	-5.02383
-116	8	-2.59757
-114	8	-0.77154
-112	8	0.64218
-110	8	1.74609
-108	8	2.600463
-106	8	3.2422265
-104	8	3.694353
-102	8	3.970438
-100	8	4.075988
-98	8	4.011112
-96	8	3.769963
-94	8	3.339909
-92	8	2.699443
-90	8	1.81404
-88	8	0.62885
-86	8	-0.95095
-84	8	-3.09808
-82	8	-6.17743
-80	8	-11.171
-78	8	-21.0302
-76	8	-14.022
-74	8	-7.7701
-72	8	-4.22043
-70	8	-1.8349
-68	8	-0.10668
-66	8	1.18899
-64	8	2.17096
-62	8	2.909632
-60	8	3.449993
-58	8	3.822881
-56	8	4.049336
-54	8	4.144709
-52	8	4.120241
-50	8	3.98414
-48	8	3.741984
-46	8	3.396894
-44	8	2.95219
-42	8	2.408621
-40	8	1.76605
-38	8	1.02203
-36	8	0.17235
-34	8	-0.78862
-32	8	-1.86823
-30	8	-3.07527
-28	8	-4.42025
-26	8	-5.90663
-24	8	-7.525
-22	8	-9.2272
-20	8	-10.8765
-18	8	-12.1949
-16	8	-12.8417
-14	8	-12.7202
-12	8	-12.0958
-10	8	-11.3038
-8	8	-10.5491
-6	8	-9.9188
-4	8	-9.44
-2	8	-9.1175
0	8	-8.9493
2	8	-8.9352
4	8	-9.0737
6	8	-9.368

8	8	-9.8229
10	8	-10.4407
12	8	-11.2077
14	8	-12.0652
16	8	-12.8484
18	8	-13.2248
20	8	-12.8261
22	8	-11.6244
24	8	-9.9665
26	8	-8.1996
28	8	-6.50457
30	8	-4.94646
32	8	-3.5396
34	8	-2.27737
36	8	-1.14939
38	8	-0.14535
40	8	0.74349
42	8	1.52421
44	8	2.201822
46	8	2.778671
48	8	3.2561817
50	8	3.633171
52	8	3.908737
54	8	4.079789
56	8	4.141158
58	8	4.085487
60	8	3.902631
62	8	3.579143
64	8	3.095231
66	8	2.423765
68	8	1.52508
70	8	0.33821
72	8	-1.23729
74	8	-3.38468
76	8	-6.49547
78	8	-11.6754
80	8	-23.4561
82	8	-13.9072
84	8	-7.5619
86	8	-3.99142
88	8	-1.58582
90	8	0.15862
92	8	1.46256
94	8	2.439781
96	8	3.1564125
98	8	3.652892
100	8	3.954497
102	8	4.07651
104	8	4.026899
106	8	3.808149
108	8	3.415955
110	8	2.839554
112	8	2.05998
114	8	1.04625
116	8	-0.2516
118	8	-1.91628
120	8	-4.09236
122	8	-7.0483
124	8	-11.2813
126	8	-16.1201
128	8	-13.4122
130	8	-8.7956
132	8	-5.6168
134	8	-3.3604
136	8	-1.67352
138	8	-0.36879
140	8	0.6613
142	8	1.48422
144	8	2.14504
146	8	2.675627
148	8	3.099633
150	8	3.43535
152	8	3.695837
154	8	3.894569
156	8	4.041908
158	8	4.146657
160	8	4.21655
162	8	4.25844
164	8	4.27847
166	8	4.28179
168	8	4.2721
170	8	4.2553
172	8	4.23523
174	8	4.2151
176	8	4.197539
178	8	4.184598
180	8	4.177673
-180	10	-3.30485
-178	10	-3.32532
-176	10	-3.23977
-174	10	-3.05141
-172	10	-2.76665
-170	10	-2.3956
-168	10	-1.95167
-166	10	-1.45051
-164	10	-0.90601
-162	10	-0.33383
-160	10	0.25103
-158	10	0.83461
-156	10	1.40349
-154	10	1.94538
-152	10	2.451359
-150	10	2.911919
-148	10	3.318054
-146	10	3.661026
-144	10	3.931968
-142	10	4.120539
-140	10	4.21695
-138	10	4.20963
-136	10	4.084324
-134	10	3.82334
-132	10	3.4037
-130	10	2.794311
-128	10	1.95097
-126	10	0.80607
-124	10	-0.7492
-122	10	-2.91102

-120	10	-6.09093
-118	10	-11.3216
-116	10	-17.7094
-114	10	-10.599
-112	10	-5.4844
-110	10	-2.30476
-108	10	-0.11789
-106	10	1.4506
-104	10	2.576341
-102	10	3.351211
-100	10	3.825801
-98	10	4.024229
-96	10	3.953379
-94	10	3.604595
-92	10	2.951386
-90	10	1.94201
-88	10	0.48272
-86	10	-1.60984
-84	10	-4.73564
-82	10	-10.0318
-80	10	-20.7018
-78	10	-11.3463
-76	10	-5.47407
-74	10	-2.13861
-72	10	0.06434
-70	10	1.60226
-68	10	2.684227
-66	10	3.420285
-64	10	3.874412
-62	10	4.084387
-60	10	4.072708
-58	10	3.850869
-56	10	3.421316
-54	10	2.777728
-52	10	1.90365
-50	10	0.76918
-48	10	-0.67478
-46	10	-2.50788
-44	10	-4.8537
-42	10	-7.856
-40	10	-11.2338
-38	10	-12.282
-36	10	-9.6483
-34	10	-6.71854
-32	10	-4.43115
-30	10	-2.6862
-28	10	-1.33314
-26	10	-0.26614
-24	10	0.58566
-22	10	1.26947
-20	10	1.82096
-18	10	2.2667
-16	10	2.62643
-14	10	2.915516
-12	10	3.1462843
-10	10	3.326864
-8	10	3.466146
-6	10	3.571178
-4	10	3.646821
-2	10	3.696685
0	10	3.723185
2	10	3.725079
4	10	3.705059
6	10	3.662178
8	10	3.594349
10	10	3.498307
12	10	3.368852
14	10	3.199071584
16	10	2.983294
18	10	2.712225
20	10	2.374301
22	10	1.95503
24	10	1.43515
26	10	0.78974
28	10	-0.01207
30	10	-1.01554
32	10	-2.2867
34	10	-3.92642
36	10	-6.09222
38	10	-8.9955
40	10	-12.391
42	10	-12.8604
44	10	-9.3396
46	10	-5.92455
48	10	-3.30089
50	10	-1.28214
52	10	0.29576
54	10	1.53458
56	10	2.495825
58	10	3.2164449
60	10	3.717727
62	10	4.00957
64	10	4.092623
66	10	3.958616
68	10	3.589676
70	10	2.952883
72	10	1.9944
74	10	0.62262
76	10	-1.3309
78	10	-4.22243
80	10	-9.0269
82	10	-20.1484
84	10	-13.1458
86	10	-6.2209
88	10	-2.53335
90	10	-0.14634
92	10	1.50442
94	10	2.654412
96	10	3.421803
98	10	3.870469
100	10	4.034435
102	10	3.928279
104	10	3.55114
106	10	2.884298
108	10	1.88844
110	10	0.49059
112	10	-1.44438

114	10	-4.18456
116	10	-8.3193
118	10	-14.5886
120	10	-12.975
122	10	-7.288
124	10	-3.71884
126	10	-1.32359
128	10	0.38516
130	10	1.63999
132	10	2.568054
134	10	3.2452019
136	10	3.720904
138	10	4.029414
140	10	4.195867
142	10	4.2393
144	10	4.1745
146	10	4.013378
148	10	3.767844
150	10	3.447524
152	10	3.061423
154	10	2.618298
156	10	2.12704
158	10	1.59539
160	10	1.03418
162	10	0.45523
164	10	-0.12926
166	10	-0.70582
168	10	-1.25994
170	10	-1.77813
172	10	-2.24386
174	10	-2.64158
176	10	-2.95787
178	10	-3.18164
180	10	-3.30485
-180	12	0.08349
-178	12	0.09293
-176	12	0.02061
-174	12	-0.13635
-172	12	-0.38431
-170	12	-0.73438
-168	12	-1.20286
-166	12	-1.80857
-164	12	-2.58002
-162	12	-3.55505
-160	12	-4.78153
-158	12	-6.30288
-156	12	-8.0877
-154	12	-9.7648
-152	12	-10.214
-150	12	-8.733
-148	12	-6.39148
-146	12	-4.12115
-144	12	-2.16601
-142	12	-0.53426
-140	12	0.8118
-138	12	1.90647
-136	12	2.773594
-134	12	3.429348
-132	12	3.879995
-130	12	4.124735
-128	12	4.152733
-126	12	3.94488
-124	12	3.469187
-122	12	2.672319
-120	12	1.4699
-118	12	-0.29156
-116	12	-2.92136
-114	12	-7.1793
-112	12	-15.1907
-110	12	-12.3973
-108	12	-5.59333
-106	12	-1.83203
-104	12	0.56566
-102	12	2.16538
-100	12	3.20306673
-98	12	3.790729
-96	12	3.977262
-94	12	3.773313
-92	12	3.1552365
-90	12	2.05569
-88	12	0.3333
-86	12	-2.32556
-84	12	-6.75093
-82	12	-16.18
-80	12	-12.5404
-78	12	-5.25418
-76	12	-1.50758
-74	12	0.82218
-72	12	2.348214
-70	12	3.322971
-68	12	3.87024
-66	12	4.053129
-64	12	3.900837
-62	12	3.417703
-60	12	2.584196
-58	12	1.35248
-56	12	-0.37481
-54	12	-2.77957
-52	12	-6.17867
-50	12	-10.6457
-48	12	-11.47
-46	12	-7.2622
-44	12	-3.83142
-42	12	-1.43207
-40	12	0.29137
-38	12	1.55854
-36	12	2.498078
-34	12	3.19005304
-32	12	3.688072
-30	12	4.030711
-28	12	4.24482
-26	12	4.35485
-24	12	4.38029
-22	12	4.33745
-20	12	4.24085
-18	12	4.102044
-16	12	3.933911

-14	12	3.749224
-12	12	3.558958
-10	12	3.373333
-8	12	3.199619454
-6	12	3.047592
-4	12	2.925264
-2	12	2.83843
0	12	2.791155
2	12	2.782694
4	12	2.816387
6	12	2.8906
8	12	3.001836
10	12	3.1440351
12	12	3.309145
14	12	3.49116
16	12	3.680946
18	12	3.868491
20	12	4.041909
22	12	4.189232
24	12	4.29999
26	12	4.36124
28	12	4.35884
30	12	4.27664
32	12	4.094994
34	12	3.794396
36	12	3.347823
38	12	2.719906
40	12	1.86189
42	12	0.70122
44	12	-0.87703
46	12	-3.06893
48	12	-6.24316
50	12	-10.8804
52	12	-12.9234
54	12	-7.9856
56	12	-3.94567
58	12	-1.18009
60	12	0.77871
62	12	2.18021
64	12	3.149824
66	12	3.753576
68	12	4.021427
70	12	3.957543
72	12	3.542765
74	12	2.726364
76	12	1.40961
78	12	-0.60385
80	12	-3.76073
82	12	-9.4343
84	12	-22.2307
86	12	-9.2609
88	12	-3.6294
90	12	-0.47853
92	12	1.53004
94	12	2.829906
96	12	3.608623
98	12	3.955246
100	12	3.907445
102	12	3.467665
104	12	2.601045
106	12	1.22426
108	12	-0.83662
110	12	-3.96402
112	12	-9.1123
114	12	-15.4726
116	12	-8.9574
118	12	-4.00827
120	12	-1.00595
122	12	0.98393
124	12	2.345512
126	12	3.2621274
128	12	3.836675
130	12	4.129513
132	12	4.177959
134	12	4.005733
136	12	3.625132
138	12	3.040702
140	12	2.247864
142	12	1.23672
144	12	-0.01131
146	12	-1.52403
148	12	-3.32991
150	12	-5.43147
152	12	-7.6808
154	12	-9.4357
156	12	-9.624
158	12	-8.3329
160	12	-6.63603
162	12	-5.095
164	12	-3.82263
166	12	-2.79946
168	12	-1.98484
170	12	-1.34163
172	12	-0.84284
174	12	-0.4651
176	12	-0.19162
178	12	-0.01115
180	12	0.08349
-180	14	4.56633
-178	14	4.56409
-176	14	4.56423
-174	14	4.56521
-172	14	4.56361
-170	14	4.55088
-168	14	4.52326
-166	14	4.47198
-164	14	4.38621
-162	14	4.25023
-160	14	4.05093
-158	14	3.770253
-156	14	3.385467
-154	14	2.866221
-152	14	2.17539
-150	14	1.26336
-148	14	0.05626
-146	14	-1.55623
-144	14	-3.74327

-142	14	-6.69137
-140	14	-9.8416
-138	14	-9.4133
-136	14	-5.86203
-134	14	-2.71079
-132	14	-0.3575
-130	14	1.37564
-128	14	2.627216
-126	14	3.476802
-124	14	3.964387
-122	14	4.099459
-120	14	3.864139
-118	14	3.2126936
-116	14	2.05143
-114	14	0.19398
-112	14	-2.7724
-110	14	-8.0059
-108	14	-17.2887
-106	14	-8.3506
-104	14	-2.84301
-102	14	0.25269
-100	14	2.16298
-98	14	3.303622
-96	14	3.845717
-94	14	3.850934
-92	14	3.313481
-90	14	2.15589
-88	14	0.18267
-86	14	-3.0993
-84	14	-9.297
-82	14	-18.1644
-80	14	-6.8686
-78	14	-1.93165
-76	14	0.8513
-74	14	2.547786
-72	14	3.530105
-70	14	3.959084
-68	14	3.902978
-66	14	3.374403
-64	14	2.336075
-62	14	0.68461
-60	14	-1.80794
-58	14	-5.6111
-56	14	-10.9053
-54	14	-9.8473
-52	14	-4.86074
-50	14	-1.52851
-48	14	0.67527
-46	14	2.17525
-44	14	3.1890261
-42	14	3.838678
-40	14	4.20023
-38	14	4.32185
-36	14	4.23646
-34	14	3.966957
-32	14	3.528146
-30	14	2.935616
-28	14	2.200027
-26	14	1.32971
-24	14	0.33266
-22	14	-0.77849
-20	14	-1.98082
-18	14	-3.23833
-16	14	-4.49179
-14	14	-5.65518
-12	14	-6.6171
-10	14	-7.2886
-8	14	-7.6497
-6	14	-7.7664
-4	14	-7.7394
-2	14	-7.6665
0	14	-7.6151
2	14	-7.623
4	14	-7.6918
6	14	-7.7972
8	14	-7.8817
10	14	-7.8548
12	14	-7.6003
14	14	-7.0313
16	14	-6.14063
18	14	-5.00901
20	14	-3.74988
22	14	-2.46449
24	14	-1.22274
26	14	-0.06834
28	14	0.97471
30	14	1.89355
32	14	2.67959
34	14	3.323762
36	14	3.814156
38	14	4.141262
40	14	4.29035
42	14	4.24063
44	14	3.962762
46	14	3.412915
48	14	2.525724
50	14	1.19707
52	14	-0.75973
54	14	-3.71666
56	14	-8.4659
58	14	-13.3221
60	14	-7.8289
62	14	-3.1225
64	14	-0.16392
66	14	1.77989
68	14	3.033339
70	14	3.743775
72	14	3.972437
74	14	3.725715
76	14	2.957662
78	14	1.54682
80	14	-0.7804
82	14	-4.74011
84	14	-13.2341
86	14	-13.7781
88	14	-4.91012
90	14	-0.83992

92	14	1.5395
94	14	2.968992
96	14	3.723508
98	14	3.916277
100	14	3.579192
102	14	2.676724
104	14	1.08931
106	14	-1.4679
108	14	-5.722
110	14	-13.3815
112	14	-10.4148
114	14	-4.13082
116	14	-0.6365
118	14	1.52765
120	14	2.899858
122	14	3.714293
124	14	4.08693
126	14	4.079424
128	14	3.718192
130	14	3.00271
132	14	1.9067
134	14	0.37123
136	14	-1.70796
138	14	-4.463
140	14	-7.7697
142	14	-9.5134
144	14	-7.3527
146	14	-4.40473
148	14	-2.07896
150	14	-0.3423
152	14	0.961
154	14	1.94765
156	14	2.69514
158	14	3.2583731
160	14	3.679228
162	14	3.988393
164	14	4.20949
166	14	4.35969
168	14	4.45817
170	14	4.51853
172	14	4.55205
174	14	4.56491
176	14	4.56802
178	14	4.56717
180	14	4.56633
-180	16	-0.31452
-178	16	-0.33565
-176	16	-0.24915
-174	16	-0.05858
-172	16	0.22584
-170	16	0.5914
-168	16	1.02358
-166	16	1.50332
-164	16	2.0063
-162	16	2.514169
-160	16	3.005803
-158	16	3.459394
-156	16	3.852714
-154	16	4.168046
-152	16	4.38432
-150	16	4.47799
-148	16	4.42131
-146	16	4.184697
-144	16	3.727211
-142	16	2.99207
-140	16	1.89266
-138	16	0.29746
-136	16	-2.02428
-134	16	-5.45423
-132	16	-9.714
-130	16	-8.616
-128	16	-4.11657
-126	16	-0.83897
-124	16	1.36918
-122	16	2.822668
-120	16	3.683571
-118	16	4.019534
-116	16	3.835644
-114	16	3.077848
-112	16	1.60295
-110	16	-0.9221
-108	16	-5.40832
-106	16	-15.0534
-104	16	-9.285
-102	16	-2.75901
-100	16	0.6087
-98	16	2.542454
-96	16	3.558267
-94	16	3.840806
-92	16	3.428286
-90	16	2.243428
-88	16	0.03304
-86	16	-3.93191
-84	16	-12.5887
-82	16	-11.6952
-80	16	-3.60185
-78	16	0.19457
-76	16	2.330398
-74	16	3.487806
-72	16	3.917257
-70	16	3.70724
-68	16	2.849663
-66	16	1.23766
-64	16	-1.41178
-62	16	-5.75494
-60	16	-11.4997
-58	16	-7.5492
-56	16	-2.64403
-54	16	0.34092
-52	16	2.218776
-50	16	3.383931
-48	16	4.029149
-46	16	4.25414
-44	16	4.116055
-42	16	3.641494
-40	16	2.836356
-38	16	1.68773

-36	16	0.16058
-34	16	-1.77992
-32	16	-4.11186
-30	16	-6.45276
-28	16	-7.4899
-26	16	-6.36461
-24	16	-4.3901
-22	16	-2.56758
-20	16	-1.09744
-18	16	0.05529
-16	16	0.9548
-14	16	1.65558
-12	16	2.19647
-10	16	2.61338
-8	16	2.930685
-6	16	3.1648552
-4	16	3.329652
-2	16	3.436966
0	16	3.493296
2	16	3.497998
4	16	3.455492
6	16	3.363265
8	16	3.2137111
10	16	2.997923
12	16	2.705192
14	16	2.318334
16	16	1.81083
18	16	1.15582
20	16	0.31298
22	16	-0.77262
24	16	-2.17179
26	16	-3.9499
28	16	-6.05637
30	16	-7.8065
32	16	-7.4979
34	16	-5.2252
36	16	-2.69443
38	16	-0.55375
40	16	1.13643
42	16	2.425791
44	16	3.356278
46	16	3.949724
48	16	4.20901
50	16	4.114215
52	16	3.623941
54	16	2.654013
56	16	1.04702
58	16	-1.51781
60	16	-5.79518
62	16	-12.6371
64	16	-8.572
66	16	-2.94886
68	16	0.31114
70	16	2.294683
72	16	3.429019
74	16	3.884066
76	16	3.705757
78	16	2.845837
80	16	1.12801
82	16	-1.90953
84	16	-7.8
86	16	-19.9492
88	16	-6.42789
90	16	-1.23262
92	16	1.53314
94	16	3.074567
96	16	3.772543
98	16	3.761043
100	16	3.046985
102	16	1.51368
104	16	-1.1722
106	16	-5.95473
108	16	-14.444
110	16	-7.7561
112	16	-2.18293
114	16	0.86679
116	16	2.666268
118	16	3.664108
120	16	4.050392
122	16	3.905781
124	16	3.2479815
126	16	2.03645
128	16	0.15876
130	16	-2.60174
132	16	-6.45765
134	16	-9.3433
136	16	-6.48625
138	16	-2.86637
140	16	-0.29705
142	16	1.48129
144	16	2.713124
146	16	3.551598
148	16	4.090849
150	16	4.39364
152	16	4.50248
154	16	4.45292
156	16	4.27372
158	16	3.988616
160	16	3.616186
162	16	3.1787667
164	16	2.697738
166	16	2.19352
168	16	1.68366
170	16	1.19322
172	16	0.74327
174	16	0.35136
176	16	0.03479
178	16	-0.1905
180	16	-0.31452
-180	18	-1.03587
-178	18	-1.02158
-176	18	-1.14128
-174	18	-1.39961
-172	18	-1.80962
-170	18	-2.37946
-168	18	-3.11733
-166	18	-4.01428

-164	18	-4.9915
-162	18	-5.81965
-160	18	-6.06805
-158	18	-5.38746
-156	18	-3.9567
-154	18	-2.25048
-152	18	-0.59695
-150	18	0.86521
-148	18	2.08946
-146	18	3.061654
-144	18	3.776159
-142	18	4.22452
-140	18	4.38801
-138	18	4.23058
-136	18	3.697515
-134	18	2.698611
-132	18	1.07296
-130	18	-1.48622
-128	18	-5.55872
-126	18	-10.2349
-124	18	-6.57275
-122	18	-1.95037
-120	18	0.95839
-118	18	2.735849
-116	18	3.688273
-114	18	3.934321
-112	18	3.472716
-110	18	2.18484
-108	18	-0.2638
-106	18	-4.85698
-104	18	-15.2812
-102	18	-7.8913
-100	18	-1.65406
-98	18	1.46632
-96	18	3.1097156
-94	18	3.744922
-92	18	3.501502
-90	18	2.319106
-88	18	-0.11342
-86	18	-4.82379
-84	18	-16.454
-82	18	-7.6298
-80	18	-1.42849
-78	18	1.62358
-76	18	3.2155454
-74	18	3.829469
-72	18	3.618573
-70	18	2.569313
-68	18	0.4949
-66	18	-3.1387
-64	18	-9.3803
-62	18	-9.0229
-60	18	-3.0024
-58	18	0.4809
-56	18	2.521575
-54	18	3.664117
-52	18	4.147536
-50	18	4.079567
-48	18	3.495128
-46	18	2.38433
-44	18	0.68065
-42	18	-1.72936
-40	18	-4.84092
-38	18	-7.2689
-36	18	-5.94444
-34	18	-3.03466
-32	18	-0.63895
-30	18	1.11202
-28	18	2.373671
-26	18	3.2734161
-24	18	3.897662
-22	18	4.31301
-20	18	4.56732
-18	18	4.69552
-16	18	4.72703
-14	18	4.6899
-12	18	4.60544
-10	18	4.49057
-8	18	4.36617
-6	18	4.24684
-4	18	4.141349
-2	18	4.063763
0	18	4.021012
2	18	4.012437
4	18	4.042993
6	18	4.109978
8	18	4.2033
10	18	4.31758
12	18	4.44155
14	18	4.55749
16	18	4.65131
18	18	4.70505
20	18	4.69503
22	18	4.59737
24	18	4.38542
26	18	4.023977
28	18	3.466334
30	18	2.657115
32	18	1.51418
34	18	-0.08616
36	18	-2.31849
38	18	-5.30639
40	18	-7.92
42	18	-6.4478
44	18	-3.01605
46	18	-0.23222
48	18	1.75207
50	18	3.087776
52	18	3.867442
54	18	4.130799
56	18	3.861934
58	18	2.982086
60	18	1.30738
62	18	-1.58188
64	18	-6.79833
66	18	-13.0634
68	18	-5.5753

70	18	-0.82226
72	18	1.8251
74	18	3.264118
76	18	3.807461
78	18	3.536672
80	18	2.372265
82	18	-0.0005
84	18	-4.57582
86	18	-16.4982
88	18	-8.2606
90	18	-1.65884
92	18	1.51158
94	18	3.1496362
96	18	3.761382
98	18	3.494281
100	18	2.301201
102	18	-0.10206
104	18	-4.59631
106	18	-13.5202
108	18	-7.5378
110	18	-1.61765
112	18	1.45011
114	18	3.1265739
116	18	3.888694
118	18	3.916724
120	18	3.2521263
122	18	1.83384
124	18	-0.53827
126	18	-4.25639
128	18	-8.7884
130	18	-6.9058
132	18	-2.54681
134	18	0.38357
136	18	2.268987
138	18	3.457088
140	18	4.136289
142	18	4.41403
144	18	4.35747
146	18	4.006697
148	18	3.383941
150	18	2.502222
152	18	1.37214
154	18	0.00671
156	18	-1.56222
158	18	-3.23058
160	18	-4.74394
162	18	-5.67833
164	18	-5.73306
166	18	-5.09228
168	18	-4.18138
170	18	-3.2886
172	18	-2.52558
174	18	-1.92245
176	18	-1.48155
178	18	-1.18899
180	18	-1.03587
-180	20	4.84721
-178	20	4.84712
-176	20	4.83046
-174	20	4.79297
-172	20	4.72549
-170	20	4.62164
-168	20	4.46499
-166	20	4.23679
-164	20	3.91618
-162	20	3.470367
-160	20	2.862088
-158	20	2.0432
-156	20	0.94489
-154	20	-0.51523
-152	20	-2.41146
-150	20	-4.62246
-148	20	-6.08952
-146	20	-5.04983
-144	20	-2.52485
-142	20	-0.13607
-140	20	1.72268
-138	20	3.053965
-136	20	3.897897
-134	20	4.26992
-132	20	4.150245
-130	20	3.469258
-128	20	2.07944
-126	20	-0.33123
-124	20	-4.43143
-122	20	-10.0425
-120	20	-6.16959
-118	20	-1.22326
-116	20	1.65331
-114	20	3.2290641
-112	20	3.835642
-110	20	3.549615
-108	20	2.26437
-106	20	-0.42573
-104	20	-5.89045
-102	20	-16.4448
-100	20	-5.05505
-98	20	0.00324
-96	20	2.489552
-94	20	3.564102
-92	20	3.534766
-90	20	2.383755
-88	20	-0.25442
-86	20	-5.77414
-84	20	-17.5123
-82	20	-4.96535
-80	20	0.10978
-78	20	2.575929
-76	20	3.644045
-74	20	3.652586
-72	20	2.633951
-70	20	0.36145
-68	20	-3.90806
-66	20	-10.9131
-64	20	-6.24036
-62	20	-0.94678
-60	20	1.91687

-58	20	3.446354
-56	20	4.066974
-54	20	3.943714
-52	20	3.1130751
-50	20	1.50937
-48	20	-1.03754
-46	20	-4.6464
-44	20	-7.2033
-42	20	-4.58514
-40	20	-1.21072
-38	20	1.17389
-36	20	2.762082
-34	20	3.776467
-32	20	4.36614
-30	20	4.62356
-28	20	4.60873
-26	20	4.36633
-24	20	3.934343
-22	20	3.341571
-20	20	2.615016
-18	20	1.78828
-16	20	0.89451
-14	20	-0.02563
-12	20	-0.92012
-10	20	-1.7401
-8	20	-2.43953
-6	20	-2.98673
-4	20	-3.3799
-2	20	-3.6304
0	20	-3.75857
2	20	-3.78559
4	20	-3.70846
6	20	-3.51446
8	20	-3.1832
10	20	-2.69261
12	20	-2.043
14	20	-1.25783
16	20	-0.37787
18	20	0.54212
20	20	1.45162
22	20	2.307764
24	20	3.070921
26	20	3.711147
28	20	4.20134
30	20	4.50949
32	20	4.60307
34	20	4.44324
36	20	3.974148
38	20	3.1108582
40	20	1.72963
42	20	-0.38029
44	20	-3.53901
46	20	-7.3824
48	20	-6.65829
50	20	-2.56081
52	20	0.51335
54	20	2.492762
56	20	3.626985
58	20	4.033931
60	20	3.721189
62	20	2.580643
64	20	0.30537
66	20	-3.93775
68	20	-12.041
70	20	-7.1574
72	20	-1.24839
74	20	1.78565
76	20	3.304825
78	20	3.729156
80	20	3.135044
82	20	1.33476
84	20	-2.37594
86	20	-11.1967
88	20	-10.5223
90	20	-2.12098
92	20	1.47563
94	20	3.19729672
96	20	3.695571
98	20	3.1193469
100	20	1.32272
102	20	-2.32026
104	20	-10.0654
106	20	-9.4758
108	20	-2.08689
110	20	1.42765
112	20	3.2111444
114	20	3.886813
116	20	3.6553
118	20	2.514229
120	20	0.27193
122	20	-3.5516
124	20	-8.6519
126	20	-6.13174
128	20	-1.47154
130	20	1.40405
132	20	3.1120023
134	20	4.03165
136	20	4.34942
138	20	4.155634
140	20	3.488748
142	20	2.349732
144	20	0.71184
146	20	-1.43993
148	20	-3.90337
150	20	-5.58624
152	20	-4.94236
154	20	-2.92897
156	20	-0.96911
158	20	0.59054
160	20	1.77548
162	20	2.66607
164	20	3.328364
166	20	3.81438
168	20	4.167997
170	20	4.41846
172	20	4.59125
174	20	4.70855

176	20	4.78187
178	20	4.82511
180	20	4.84721
-180	22	2.548857
-178	22	2.531556
-176	22	2.602235
-174	22	2.753494
-172	22	2.975883
-170	22	3.257256
-168	22	3.573546
-166	22	3.907228
-164	22	4.23058
-162	22	4.51553
-160	22	4.7352
-158	22	4.85363
-156	22	4.83843
-154	22	4.64809
-152	22	4.2277
-150	22	3.515034
-148	22	2.416675
-146	22	0.79573
-144	22	-1.51807
-142	22	-4.47265
-140	22	-6.07279
-138	22	-3.72414
-136	22	-0.59858
-134	22	1.7282
-132	22	3.2361829
-130	22	4.029773
-128	22	4.1429
-126	22	3.520128
-124	22	1.98372
-122	22	-0.8957
-120	22	-6.11896
-118	22	-9.6178
-116	22	-3.19884
-114	22	0.79506
-112	22	2.893024
-110	22	3.720481
-108	22	3.440008
-106	22	1.9231
-104	22	-1.43532
-102	22	-9.1327
-100	22	-10.6692
-98	22	-1.97559
-96	22	1.68048
-94	22	3.298066
-92	22	3.529608
-90	22	2.438273
-88	22	-0.38769
-86	22	-6.78
-84	22	-14.301
-82	22	-3.06453
-80	22	1.22341
-78	22	3.1682352
-76	22	3.686562
-74	22	2.975119
-72	22	0.85774
-70	22	-3.44983
-68	22	-10.8666
-66	22	-5.36904
-64	22	-0.14027
-62	22	2.527425
-60	22	3.772191
-58	22	3.990295
-56	22	3.291479
-54	22	1.61129
-52	22	-1.30284
-50	22	-5.51619
-48	22	-6.49613
-46	22	-2.4445
-44	22	0.74692
-42	22	2.746847
-40	22	3.914979
-38	22	4.47113
-36	22	4.53286
-34	22	4.172304
-32	22	3.427709
-30	22	2.31421
-28	22	0.85501
-26	22	-0.88603
-24	22	-2.69209
-22	22	-3.98953
-20	22	-4.12571
-18	22	-3.22534
-16	22	-1.96433
-14	22	-0.77397
-12	22	0.21706
-10	22	1.00286
-8	22	1.60245
-6	22	2.04974
-4	22	2.366398
-2	22	2.570451
0	22	2.677088
2	22	2.687065
4	22	2.606695
6	22	2.428304
8	22	2.14138
10	22	1.73171
12	22	1.17089
14	22	0.43516
16	22	-0.50782
18	22	-1.67083
20	22	-2.98361
22	22	-4.13807
24	22	-4.44503
26	22	-3.4497
28	22	-1.68258
30	22	0.15609
32	22	1.74589
34	22	2.991696
36	22	3.875515
38	22	4.38111
40	22	4.47693
42	22	4.112135
44	22	3.1865515
46	22	1.51572

48	22	-1.2406
50	22	-5.49525
52	22	-7.6862
54	22	-3.25122
56	22	0.41095
58	22	2.608245
60	22	3.715899
62	22	3.892123
64	22	3.1085778
66	22	1.10588
68	22	-2.90292
70	22	-11.2145
72	22	-7.0558
74	22	-0.83847
76	22	2.15629
78	22	3.467153
80	22	3.509325
82	22	2.261603
84	22	-0.77622
86	22	-7.7957
88	22	-13.3427
90	22	-2.62139
92	22	1.42644
94	22	3.2208066
96	22	3.580649
98	22	2.638312
100	22	0.07904
102	22	-5.42345
104	22	-13.5842
106	22	-3.77747
108	22	0.82725
110	22	3.018664
112	22	3.808496
114	22	3.478449
116	22	1.9985
118	22	-0.97862
120	22	-6.16261
122	22	-7.9986
124	22	-2.4254
126	22	1.13913
128	22	3.120307
130	22	4.074008
132	22	4.24427
134	22	3.72598
136	22	2.518996
138	22	0.55798
140	22	-2.19803
142	22	-5.03942
144	22	-4.98107
146	22	-2.3029
148	22	0.19215
150	22	2.00017
152	22	3.2475139
154	22	4.074344
156	22	4.57773
158	22	4.83456
160	22	4.90067
162	22	4.8167
164	22	4.62431
166	22	4.35371
168	22	4.035722
170	22	3.70126
172	22	3.370953
174	22	3.073811
176	22	2.827465
178	22	2.647699
180	22	2.548857
-180	24	-2.27898
-178	24	-2.27122
-176	24	-2.36694
-174	24	-2.55471
-172	24	-2.79019
-170	24	-2.99463
-168	24	-3.04369
-166	24	-2.79373
-164	24	-2.16552
-162	24	-1.2002
-160	24	-0.0426
-158	24	1.15482
-156	24	2.275903
-154	24	3.240954
-152	24	4.000693
-150	24	4.51166
-148	24	4.73551
-146	24	4.62255
-144	24	4.095732
-142	24	3.049526
-140	24	1.3078
-138	24	-1.39567
-136	24	-4.93659
-134	24	-5.55092
-132	24	-1.96504
-130	24	1.10309
-128	24	3.012099
-126	24	3.942805
-124	24	3.970414
-122	24	3.016117
-120	24	0.77038
-118	24	-3.62424
-116	24	-10.1356
-114	24	-4.376
-112	24	0.43525
-110	24	2.811776
-108	24	3.643493
-106	24	3.1346856
-104	24	1.05047
-102	24	-3.74661
-100	24	-15.8713
-98	24	-4.71736
-96	24	0.65435
-94	24	2.945382
-92	24	3.487407
-90	24	2.483546
-88	24	-0.51103
-86	24	-7.8343
-84	24	-11.1308
-82	24	-1.64113

-80	24	2.02693
-78	24	3.468041
-76	24	3.376991
-74	24	1.76364
-72	24	-1.99262
-70	24	-9.586
-68	24	-6.03358
-66	24	-0.16062
-64	24	2.657481
-62	24	3.821558
-60	24	3.771677
-58	24	2.572992
-56	24	0.01955
-54	24	-4.26333
-52	24	-6.78647
-50	24	-2.46716
-48	24	1.07044
-46	24	3.1337483
-44	24	4.183555
-42	24	4.47246
-40	24	4.116597
-38	24	3.1534759
-36	24	1.58454
-34	24	-0.57007
-32	24	-2.9603
-30	24	-4.11722
-28	24	-2.8904
-26	24	-0.80345
-24	24	1.01655
-22	24	2.391204
-20	24	3.386383
-18	24	4.088537
-16	24	4.5643
-14	24	4.87362
-12	24	5.05543
-10	24	5.14927
-8	24	5.18222
-6	24	5.17835
-4	24	5.15831
-2	24	5.13359
0	24	5.11881
2	24	5.11329
4	24	5.12383
6	24	5.14187
8	24	5.16179
10	24	5.16905
12	24	5.14574
14	24	5.07163
16	24	4.91562
18	24	4.6492
20	24	4.22707
22	24	3.601273
24	24	2.704131
26	24	1.45013
28	24	-0.2453
30	24	-2.36708
32	24	-4.23371
34	24	-3.97506
36	24	-1.70519
38	24	0.67676
40	24	2.50242
42	24	3.70652
44	24	4.30562
46	24	4.28326
48	24	3.556566
50	24	1.92945
52	24	-1.00191
54	24	-5.78559
56	24	-7.0372
58	24	-1.93163
60	24	1.47076
62	24	3.2623367
64	24	3.829801
66	24	3.2399917
68	24	1.24533
70	24	-3.06926
72	24	-12.1896
74	24	-5.3856
76	24	0.21337
78	24	2.746353
80	24	3.543206
82	24	2.870231
84	24	0.41929
86	24	-5.41981
88	24	-16.5314
90	24	-3.16242
92	24	1.36538
94	24	3.2234665
96	24	3.421281
98	24	2.05186
100	24	-1.48186
102	24	-9.8454
104	24	-7.6289
106	24	-0.5848
108	24	2.484987
110	24	3.665811
112	24	3.467061
114	24	1.88914
116	24	-1.52373
118	24	-7.4767
120	24	-6.02268
122	24	-0.60076
124	24	2.363115
126	24	3.806065
128	24	4.178717
130	24	3.640249
132	24	2.18158
134	24	-0.32378
136	24	-3.77938
138	24	-5.33095
140	24	-2.45126
142	24	0.54933
144	24	2.588981
146	24	3.860309
148	24	4.55438
150	24	4.80408
152	24	4.692

154	24	4.27261
156	24	3.593817
158	24	2.692775
160	24	1.61955
162	24	0.44179
164	24	-0.74169
166	24	-1.78168
168	24	-2.53237
170	24	-2.90832
172	24	-2.95542
174	24	-2.80333
176	24	-2.58354
178	24	-2.39289
180	24	-2.27898
-180	26	4.5226
-178	26	4.52795
-176	26	4.47571
-174	26	4.35465
-172	26	4.159694
-170	26	3.868154
-168	26	3.460782
-166	26	2.901894
-164	26	2.15628
-162	26	1.17987
-160	26	-0.05096
-158	26	-1.47128
-156	26	-2.71766
-154	26	-2.96341
-152	26	-1.79842
-150	26	0.03909
-148	26	1.79797
-146	26	3.187314
-144	26	4.12607
-142	26	4.57638
-140	26	4.49434
-138	26	3.78637
-136	26	2.276772
-134	26	-0.3389
-132	26	-4.25353
-130	26	-5.65825
-128	26	-1.6877
-126	26	1.5435
-124	26	3.34295
-122	26	3.953278
-120	26	3.413337
-118	26	1.48171
-116	26	-2.65934
-114	26	-9.8552
-112	26	-4.3861
-110	26	0.66811
-108	26	2.976311
-106	26	3.534172
-104	26	2.482463
-102	26	-0.7253
-100	26	-8.9419
-98	26	-8.7292
-96	26	-0.63173
-94	26	2.503382
-92	26	3.409504
-90	26	2.520503
-88	26	-0.62237
-86	26	-8.9229
-84	26	-8.7424
-82	26	-0.5459
-80	26	2.590395
-78	26	3.517188
-76	26	2.723529
-74	26	-0.08553
-72	26	-6.46786
-70	26	-8.3229
-68	26	-0.97197
-66	26	2.41395
-64	26	3.743053
-62	26	3.614463
-60	26	2.0811
-58	26	-1.20307
-56	26	-6.18864
-54	26	-4.58533
-52	26	0.0424
-50	26	2.744245
-48	26	4.065068
-46	26	4.3762
-44	26	3.829564
-42	26	2.447457
-40	26	0.18967
-38	26	-2.6633
-36	26	-3.99704
-34	26	-2.02474
-32	26	0.5485
-30	26	2.477582
-28	26	3.765449
-26	26	4.55979
-24	26	4.97057
-22	26	5.08742
-20	26	4.97119
-18	26	4.67712
-16	26	4.25184
-14	26	3.737122
-12	26	3.1780801
-10	26	2.611997
-8	26	2.08197
-6	26	1.61611
-4	26	1.24558
-2	26	0.9812
0	26	0.83844
2	26	0.81454
4	26	0.91622
6	26	1.13506
8	26	1.46936
10	26	1.89997
12	26	2.408364
14	26	2.959794
16	26	3.52035
18	26	4.047623
20	26	4.50141
22	26	4.83925
24	26	5.01505

26	26	4.98196
28	26	4.67649
30	26	4.027661
32	26	2.92711
34	26	1.23215
36	26	-1.18287
38	26	-3.84848
40	26	-3.98185
42	26	-1.20604
44	26	1.43806
46	26	3.20368435
48	26	4.110287
50	26	4.176324
52	26	3.319127
54	26	1.26707
56	26	-2.60855
58	26	-7.7867
60	26	-3.94099
62	26	0.57204
64	26	2.919206
66	26	3.716314
68	26	3.1195283
70	26	0.83179
72	26	-4.45311
74	26	-12.4711
76	26	-2.88196
78	26	1.51549
80	26	3.2576646
82	26	3.2137956
84	26	1.31719
86	26	-3.6459
88	26	-17.9569
90	26	-3.74634
92	26	1.294
94	26	3.20860909
96	26	3.2224852
98	26	1.35916
100	26	-3.43985
102	26	-13.5608
104	26	-3.51055
106	26	1.35945
108	26	3.335769
110	26	3.561955
112	26	2.19706
114	26	-1.20586
116	26	-7.4895
118	26	-5.30764
120	26	0.12344
122	26	2.874746
124	26	3.999426
126	26	3.909414
128	26	2.685433
130	26	0.18891
132	26	-3.59033
134	26	-5.10568
136	26	-1.5812
138	26	1.51373
140	26	3.406283
142	26	4.40329
144	26	4.71727
146	26	4.46181
148	26	3.704628
150	26	2.482524
152	26	0.85083
154	26	-0.99709
156	26	-2.49971
158	26	-2.78255
160	26	-1.81556
162	26	-0.42318
164	26	0.86752
166	26	1.91415
168	26	2.723537
170	26	3.330014
172	26	3.778046
174	26	4.096125
176	26	4.31637
178	26	4.4521
180	26	4.5226
-180	28	4.84709
-178	28	4.83593
-176	28	4.87314
-174	28	4.94799
-172	28	5.05398
-170	28	5.17008
-168	28	5.27712
-166	28	5.34466
-164	28	5.3422
-162	28	5.2288
-160	28	4.96097
-158	28	4.47951
-156	28	3.717949
-154	28	2.589273
-152	28	1.01134
-150	28	-0.99675
-148	28	-2.77335
-146	28	-2.57015
-144	28	-0.46403
-142	28	1.74725
-140	28	3.359658
-138	28	4.27033
-136	28	4.4524
-134	28	3.821308
-132	28	2.17736
-130	28	-0.88306
-128	28	-5.26289
-126	28	-4.31744
-124	28	0.0432
-122	28	2.686094
-120	28	3.776313
-118	28	3.484209
-116	28	1.60263
-114	28	-2.78662
-112	28	-10.101
-110	28	-3.27936
-108	28	1.36844
-106	28	3.2386899
-104	28	3.19759596

-102	28	1.1412
-100	28	-4.41178
-98	28	-14.4025
-96	28	-2.24551
-94	28	1.96799
-92	28	3.2971864
-90	28	2.550055
-88	28	-0.71988
-86	28	-10.0192
-84	28	-6.9285
-82	28	0.30904
-80	28	2.9595
-78	28	3.341627
-76	28	1.71172
-74	28	-2.78022
-72	28	-10.7574
-70	28	-2.87887
-68	28	1.722
-66	28	3.546336
-64	28	3.592741
-62	28	1.98613
-60	28	-1.70231
-58	28	-6.71468
-56	28	-3.03004
-54	28	1.27619
-52	28	3.48896
-50	28	4.28153
-48	28	3.944009
-46	28	2.532407
-44	28	-0.01333
-42	28	-3.18597
-40	28	-3.4278
-38	28	-0.448
-36	28	2.11896
-34	28	3.757364
-32	28	4.65701
-30	28	4.98203
-28	28	4.84541
-26	28	4.31771
-24	28	3.46439
-22	28	2.344223
-20	28	1.06159
-18	28	-0.21176
-16	28	-1.20984
-14	28	-1.68284
-12	28	-1.59236
-10	28	-1.14412
-8	28	-0.57631
-6	28	-0.04653
-4	28	0.3791
-2	28	0.67076
0	28	0.82817
2	28	0.84482
4	28	0.72703
6	28	0.46932
8	28	0.07937
10	28	-0.43009
12	28	-1.00477
14	28	-1.52536
16	28	-1.77298
18	28	-1.51114
20	28	-0.68025
22	28	0.52255
24	28	1.81914
26	28	2.999623
28	28	3.949754
30	28	4.59407
32	28	4.88018
34	28	4.73812
36	28	4.077321
38	28	2.753797
40	28	0.55415
42	28	-2.56299
44	28	-4.39054
46	28	-1.77026
48	28	1.30582
50	28	3.2498619
52	28	4.083206
54	28	3.836404
56	28	2.33941
58	28	-0.94746
60	28	-6.70264
62	28	-5.06047
64	28	0.18053
66	28	2.817501
68	28	3.608252
70	28	2.743523
72	28	-0.25939
74	28	-7.6802
76	28	-7.936
78	28	-0.3472
80	28	2.650242
82	28	3.324424
84	28	1.98158
86	28	-2.268
88	28	-15.705
90	28	-4.37497
92	28	1.21413
94	28	3.1795999
96	28	2.989128
98	28	0.55783
100	28	-5.91371
102	28	-9.9845
104	28	-0.93746
106	28	2.542279
108	28	3.572705
110	28	2.757186
112	28	-0.17536
114	28	-6.32776
116	28	-5.86788
118	28	0.08716
120	28	2.969605
122	28	3.986592
124	28	3.582484
126	28	1.76349
128	28	-1.70302
130	28	-5.27263

132	28	-2.47362
134	28	1.21751
136	28	3.404055
138	28	4.43679
140	28	4.5859
142	28	3.978252
144	28	2.653368
146	28	0.666
148	28	-1.62234
150	28	-2.77803
152	28	-1.60106
154	28	0.42193
156	28	2.16264
158	28	3.436976
160	28	4.31304
162	28	4.8762
164	28	5.20542
166	28	5.35879
168	28	5.38817
170	28	5.33267
172	28	5.23035
174	28	5.10748
176	28	4.99253
178	28	4.89953
180	28	4.84709
-180	30	0.00699
-178	30	-0.01029
-176	30	0.06952
-174	30	0.25282
-172	30	0.55792
-170	30	0.9964
-168	30	1.56137
-166	30	2.227351
-164	30	2.941849
-162	30	3.650476
-160	30	4.2873
-158	30	4.79731
-156	30	5.11738
-154	30	5.19099
-152	30	4.94565
-150	30	4.29679
-148	30	3.1245934
-146	30	1.30037
-144	30	-1.15248
-142	30	-2.96124
-140	30	-1.64591
-138	30	1.01806
-136	30	3.052019
-134	30	4.14264
-132	30	4.27306
-130	30	3.335406
-128	30	1.01215
-126	30	-3.22174
-124	30	-5.7229
-122	30	-1.08545
-120	30	2.227574
-118	30	3.617635
-116	30	3.364024
-114	30	1.23493
-112	30	-3.99547
-110	30	-9.4041
-108	30	-1.47147
-106	30	2.25234
-104	30	3.340773
-102	30	2.289706
-100	30	-1.64886
-98	30	-13.517
-96	30	-4.29722
-94	30	1.33343
-92	30	3.1517281
-90	30	2.573082
-88	30	-0.80208
-86	30	-11.0778
-84	30	-5.50822
-82	30	0.98018
-80	30	3.1664089
-78	30	2.956517
-76	30	0.2976
-74	30	-6.60215
-72	30	-6.68801
-70	30	0.29691
-68	30	3.1036039
-66	30	3.646684
-64	30	2.291728
-62	30	-1.36324
-60	30	-6.64068
-58	30	-2.54261
-56	30	1.75308
-54	30	3.758111
-52	30	4.192907
-50	30	3.300694
-48	30	1.04172
-46	30	-2.42221
-44	30	-3.61256
-42	30	-0.40441
-40	30	2.420808
-38	30	4.075938
-36	30	4.80993
-34	30	4.81241
-32	30	4.18821
-30	30	3.011539
-28	30	1.37575
-26	30	-0.40489
-24	30	-1.55736
-22	30	-1.29321
-20	30	-0.0399
-18	30	1.36093
-16	30	2.541981
-14	30	3.453534
-12	30	4.122436
-10	30	4.60289
-8	30	4.93557
-6	30	5.15954
-4	30	5.30335
-2	30	5.38687
0	30	5.42815
2	30	5.42917

4	30	5.39661
6	30	5.32136
8	30	5.19299
10	30	4.99285
12	30	4.69297
14	30	4.26342
16	30	3.657932
18	30	2.834981
20	30	1.74785
22	30	0.40719
24	30	-0.97699
26	30	-1.72892
28	30	-1.09798
30	30	0.53851
32	30	2.267821
34	30	3.630784
36	30	4.47666
38	30	4.74003
40	30	4.33431
42	30	3.1089435
44	30	0.81066
46	30	-2.65414
48	30	-4.20772
50	30	-0.87554
52	30	2.1215
54	30	3.68998
56	30	3.932104
58	30	2.767405
60	30	-0.30693
62	30	-6.23867
64	30	-5.10535
66	30	0.39016
68	30	2.952164
70	30	3.443641
72	30	1.95898
74	30	-2.47911
76	30	-12.6399
78	30	-3.09576
80	30	1.69688
82	30	3.2208338
84	30	2.45393
86	30	-1.17263
88	30	-12.697
90	30	-5.04948
92	30	1.12769
94	30	3.139671
96	30	2.725999
98	30	-0.35612
100	30	-8.981
102	30	-5.96564
104	30	0.7615
106	30	3.1839775
108	30	3.2805722
110	30	1.19988
112	30	-4.01979
114	30	-7.5044
116	30	-0.67993
118	30	2.741172
120	30	3.905229
122	30	3.394789
124	30	1.18347
126	30	-2.957
128	30	-4.81311
130	30	-0.48441
132	30	2.643617
134	30	4.17562
136	30	4.52303
138	30	3.867897
140	30	2.260162
142	30	-0.20906
144	30	-2.50399
146	30	-1.9365
148	30	0.49997
150	30	2.605588
152	30	4.018232
154	30	4.85219
156	30	5.23246
158	30	5.26153
160	30	5.01138
162	30	4.55096
164	30	3.936031
166	30	3.2327656
168	30	2.497288
170	30	1.79776
172	30	1.18423
174	30	0.69543
176	30	0.34332
178	30	0.11838
180	30	0.00699
-180	32	2.858965
-178	32	2.87485
-176	32	2.770486
-174	32	2.540377
-172	32	2.17659
-170	32	1.67746
-168	32	1.04968
-166	32	0.34774
-164	32	-0.28536
-162	32	-0.58395
-160	32	-0.2704
-158	32	0.65787
-156	32	1.90127
-154	32	3.1301046
-152	32	4.137352
-150	32	4.80226
-148	32	5.04173
-146	32	4.76733
-144	32	3.859383
-142	32	2.14806
-140	32	-0.46639
-138	32	-2.86351
-136	32	-1.60024
-134	32	1.32758
-132	32	3.349252
-130	32	4.180098
-128	32	3.784922
-126	32	1.92303

-124	32	-1.99805
-122	32	-6.0216
-120	32	-1.5628
-118	32	2.10804
-116	32	3.538009
-114	32	3.054657
-112	32	0.28025
-110	32	-6.64177
-108	32	-6.16105
-106	32	0.47521
-104	32	2.968916
-102	32	2.91766
-100	32	0.17243
-98	32	-8.2982
-96	32	-6.968
-94	32	0.59233
-92	32	2.974432
-90	32	2.590479
-88	32	-0.86782
-86	32	-12.0252
-84	32	-4.36632
-82	32	1.50667
-80	32	3.2346637
-78	32	2.369886
-76	32	-1.59531
-74	32	-10.2375
-72	32	-2.53437
-70	32	2.12926
-68	32	3.588967
-66	32	2.837662
-64	32	-0.32288
-62	32	-6.06522
-60	32	-3.00135
-58	32	1.69867
-56	32	3.775905
-54	32	4.04901
-52	32	2.754275
-50	32	-0.19927
-48	32	-3.66098
-46	32	-1.8279
-44	32	1.69417
-42	32	3.816186
-40	32	4.72323
-38	32	4.6602
-36	32	3.760055
-34	32	2.0957
-32	32	-0.04672
-30	32	-1.52707
-28	32	-0.84431
-26	32	1.03415
-24	32	2.759326
-22	32	4.015134
-20	32	4.84507
-18	32	5.33076
-16	32	5.56099
-14	32	5.60012
-12	32	5.50793
-10	32	5.33354
-8	32	5.11659
-6	32	4.89725
-4	32	4.70151
-2	32	4.55359
0	32	4.47025
2	32	4.45451
4	32	4.5121
6	32	4.63506
8	32	4.80878
10	32	5.01618
12	32	5.22665
14	32	5.40962
16	32	5.52573
18	32	5.52748
20	32	5.36607
22	32	4.97364
24	32	4.28289
26	32	3.20566141
28	32	1.67345
30	32	-0.21659
32	32	-1.62319
34	32	-1.031
36	32	0.99862
38	32	2.905841
40	32	4.144605
42	32	4.59342
44	32	4.163033
46	32	2.663972
48	32	-0.2351
50	32	-3.98524
52	32	-2.68891
54	32	1.08874
56	32	3.2802695
58	32	3.857506
60	32	2.805388
62	32	-0.41035
64	32	-6.77059
66	32	-4.12117
68	32	1.08889
70	32	3.1874851
72	32	3.03569
74	32	0.4028
76	32	-7.0675
78	32	-7.2227
80	32	0.34409
82	32	2.912855
84	32	2.76255
86	32	-0.29053
88	32	-10.2148
90	32	-5.76965
92	32	1.03672
94	32	3.092279
96	32	2.437765
98	32	-1.38626
100	32	-11.9827
102	32	-3.2231
104	32	1.89461
106	32	3.398325
108	32	2.481296

110	32	-1.26561
112	32	-8.2099
114	32	-2.4172
116	32	2.12153
118	32	3.761659
120	32	3.41494
122	32	1.1132
124	32	-3.35994
126	32	-4.13672
128	32	0.50684
130	32	3.2997184
132	32	4.39052
134	32	4.167591
136	32	2.737002
138	32	0.15598
140	32	-2.45474
142	32	-1.55347
144	32	1.26182
146	32	3.386761
148	32	4.62323
150	32	5.14518
152	32	5.09686
154	32	4.57486
156	32	3.666355
158	32	2.468717
160	32	1.15841
162	32	0.03135
164	32	-0.54625
166	32	-0.44662
168	32	0.11447
170	32	0.82616
172	32	1.49266
174	32	2.04057
176	32	2.447019
178	32	2.716625
180	32	2.858965
-180	34	5.87576
-178	34	5.87279
-176	34	5.85355
-174	34	5.81171
-172	34	5.72965
-170	34	5.59027
-168	34	5.36514
-166	34	5.01401
-164	34	4.49768
-162	34	3.766202
-160	34	2.772988
-158	34	1.52962
-156	34	0.22811
-154	34	-0.51909
-152	34	-0.00304
-150	34	1.47248
-148	34	3.042841
-146	34	4.22239
-144	34	4.82635
-142	34	4.74767
-140	34	3.851624
-138	34	1.93552
-136	34	-1.06357
-134	34	-2.92652
-132	34	-0.38346
-130	34	2.443085
-128	34	3.884488
-126	34	3.879164
-124	34	2.240482
-122	34	-1.66108
-120	34	-6.04518
-118	34	-1.30768
-116	34	2.327611
-114	34	3.480505
-112	34	2.424984
-110	34	-1.61499
-108	34	-10.0479
-106	34	-2.35334
-104	34	2.08054
-102	34	3.123601
-100	34	1.39665
-98	34	-4.84396
-96	34	-10.49
-94	34	-0.26619
-92	34	2.766616
-90	34	2.603029
-88	34	-0.91648
-86	34	-12.7705
-84	34	-3.42873
-82	34	1.91655
-80	34	3.1820756
-78	34	1.58069
-76	34	-4.06861
-74	34	-8.0826
-72	34	0.06806
-70	34	3.1067825
-68	34	3.344955
-66	34	1.08117
-64	34	-4.36918
-62	34	-4.38099
-60	34	1.12904
-58	34	3.615793
-56	34	3.974009
-54	34	2.506488
-52	34	-0.87168
-50	34	-3.74653
-48	34	-0.44781
-46	34	2.793902
-44	34	4.39084
-42	34	4.68806
-40	34	3.882494
-38	34	2.06988
-36	34	-0.35474
-34	34	-1.49262
-32	34	0.15787
-30	34	2.38748
-28	34	4.019466
-26	34	4.99704
-24	34	5.44139
-22	34	5.47003
-20	34	5.17086

-18	34	4.62808
-16	34	3.916991
-14	34	3.1245852
-12	34	2.343053
-10	34	1.65391
-8	34	1.12492
-6	34	0.77503
-4	34	0.57589
-2	34	0.48455
0	34	0.45482
2	34	0.454
4	34	0.48176
6	34	0.55733
8	34	0.71667
10	34	1.00912
12	34	1.46657
14	34	2.08223
16	34	2.813159
18	34	3.582102
20	34	4.302
22	34	4.89141
24	34	5.2701
26	34	5.3663
28	34	5.09503
30	34	4.35742
32	34	3.038211
34	34	1.06465
36	34	-1.10244
38	34	-1.41879
40	34	0.67557
42	34	2.845358
44	34	4.142388
46	34	4.41325
48	34	3.524807
50	34	1.17327
52	34	-2.8333
54	34	-3.68343
56	34	0.43115
58	34	3.033884
60	34	3.732412
62	34	2.535578
64	34	-1.24211
66	34	-7.8182
68	34	-2.33051
70	34	2.00708
72	34	3.2786643
74	34	2.0439
76	34	-2.7601
78	34	-12.261
80	34	-1.50785
82	34	2.400416
84	34	2.92735
86	34	0.42294
88	34	-8.2519
90	34	-6.53283
92	34	0.94335
94	34	3.04
96	34	2.12888
98	34	-2.53882
100	34	-12.0626
102	34	-1.30715
104	34	2.620892
106	34	3.2461293
108	34	1.14833
110	34	-4.8078
112	34	-5.58016
114	34	0.86126
116	34	3.435055
118	34	3.580343
120	34	1.54249
122	34	-2.96112
124	34	-4.07079
126	34	0.77575
128	34	3.521659
130	34	4.37369
132	34	3.715046
134	34	1.61164
136	34	-1.5481
138	34	-2.18271
140	34	0.79846
142	34	3.2944323
144	34	4.65859
146	34	5.09595
148	34	4.77415
150	34	3.801849
152	34	2.309503
154	34	0.62192
156	34	-0.46534
158	34	-0.18708
160	34	1.03226
162	34	2.375598
164	34	3.486409
166	34	4.31795
168	34	4.90888
170	34	5.30682
172	34	5.56502
174	34	5.72391
176	34	5.81171
178	34	5.85688
180	34	5.87576
-180	36	4.3245
-178	36	4.30671
-176	36	4.37452
-174	36	4.5215
-172	36	4.73288
-170	36	4.98684
-168	36	5.25593
-166	36	5.50248
-164	36	5.67846
-162	36	5.73583
-160	36	5.61308
-158	36	5.24082
-156	36	4.54648
-154	36	3.449659
-152	36	1.92328
-150	36	0.25273
-148	36	-0.48042

-146	36	0.63616
-144	36	2.494572
-142	36	3.967878
-140	36	4.68048
-138	36	4.49391
-136	36	3.2265745
-134	36	0.63666
-132	36	-2.60114
-130	36	-1.6048
-128	36	1.71521
-126	36	3.60686
-124	36	3.807754
-122	36	2.13995
-120	36	-2.11372
-118	36	-5.84971
-116	36	-0.42047
-114	36	2.750322
-112	36	3.272813
-110	36	1.1713
-108	36	-5.28021
-106	36	-6.64972
-104	36	0.61757
-102	36	2.956903
-100	36	2.19318
-98	36	-2.51898
-96	36	-14.2362
-94	36	-1.25591
-92	36	2.529633
-90	36	2.611442
-88	36	-0.94786
-86	36	-13.2221
-84	36	-2.64604
-82	36	2.23091
-80	36	3.022526
-78	36	0.58221
-76	36	-7.0772
-74	36	-4.31244
-72	36	1.70007
-70	36	3.452323
-68	36	2.421448
-66	36	-1.7602
-64	36	-6.13174
-62	36	-0.12167
-60	36	3.2180436
-58	36	3.969649
-56	36	2.62471
-54	36	-0.88232
-52	36	-3.5884
-50	36	0.1852
-48	36	3.2826034
-46	36	4.55722
-44	36	4.37695
-42	36	2.907791
-40	36	0.37415
-38	36	-1.45733
-36	36	0.11715
-34	36	2.626451
-32	36	4.34392
-30	36	5.21661
-28	36	5.39683
-26	36	5.02008
-24	36	4.191361
-22	36	3.044428
-20	36	1.79916
-18	36	0.80488
-16	36	0.43537
-14	36	0.7298
-12	36	1.3905
-10	36	2.12356
-8	36	2.773413
-6	36	3.286314
-4	36	3.658813
-2	36	3.902775
0	36	4.029975
2	36	4.044582
4	36	3.952012
6	36	3.747963
8	36	3.422209
10	36	2.964765
12	36	2.377627
14	36	1.69166
16	36	1.01003
18	36	0.56317
20	36	0.64752
22	36	1.36328
24	36	2.472127
26	36	3.619334
28	36	4.54671
30	36	5.09959
32	36	5.16465
34	36	4.63121
36	36	3.356867
38	36	1.23456
40	36	-1.17862
42	36	-1.15903
44	36	1.32906
46	36	3.393562
48	36	4.27803
50	36	3.844535
52	36	1.82496
54	36	-2.16704
56	36	-3.9945
58	36	0.29291
60	36	3.015938
62	36	3.564438
64	36	1.89339
66	36	-3.02962
68	36	-7.1828
70	36	-0.24124
72	36	2.799596
74	36	2.874138
76	36	-0.17392
78	36	-9.8241
80	36	-4.03709
82	36	1.67588
84	36	2.96282
86	36	0.99896

88	36	-6.67345
90	36	-7.3326
92	36	0.84957
94	36	2.985385
96	36	1.80362
98	36	-3.81515
100	36	-9.3908
102	36	0.07455
104	36	3.031972
106	36	2.757297
108	36	-0.78479
110	36	-7.9159
112	36	-1.56842
114	36	2.665139
116	36	3.703965
118	36	2.299882
120	36	-1.81396
122	36	-4.55391
124	36	0.44071
126	36	3.457457
128	36	4.30542
130	36	3.403186
132	36	0.82066
134	36	-2.31276
136	36	-0.91643
138	36	2.318978
140	36	4.27477
142	36	4.99861
144	36	4.70626
146	36	3.542486
148	36	1.69397
150	36	-0.10015
152	36	-0.28959
154	36	1.21422
156	36	2.939913
158	36	4.25902
160	36	5.12654
162	36	5.61556
164	36	5.81479
166	36	5.80433
168	36	5.64608
170	36	5.4014
172	36	5.12024
174	36	4.84222
176	36	4.60165
178	36	4.42407
180	36	4.3245
-180	38	1.40068
-178	38	1.4125
-176	38	1.41478
-174	38	1.42742
-172	38	1.49279
-170	38	1.66684
-168	38	2.00211
-166	38	2.518304
-164	38	3.1817956
-162	38	3.911627
-160	38	4.60777
-158	38	5.16938
-156	38	5.50212
-154	38	5.5155
-152	38	5.1163
-150	38	4.198354
-148	38	2.676911
-146	38	0.71928
-144	38	-0.46767
-142	38	0.65183
-140	38	2.690245
-138	38	4.133708
-136	38	4.5647
-134	38	3.80707
-132	38	1.59621
-130	38	-1.95423
-128	38	-2.20093
-126	38	1.34924
-124	38	3.466369
-122	38	3.637975
-120	38	1.63589
-118	38	-3.38905
-116	38	-4.7176
-114	38	0.83254
-112	38	3.1311888
-110	38	2.613607
-108	38	-1.33132
-106	38	-10.1844
-104	38	-1.55663
-102	38	2.435649
-100	38	2.656321
-98	38	-0.87132
-96	38	-13.6465
-94	38	-2.39467
-92	38	2.264881
-90	38	2.61635
-88	38	-0.9622
-86	38	-13.3316
-84	38	-1.98365
-82	38	2.466231
-80	38	2.767533
-78	38	-0.63639
-76	38	-9.3977
-74	38	-1.61714
-72	38	2.684501
-70	38	3.2731798
-68	38	0.79195
-66	38	-5.24532
-64	38	-2.40217
-62	38	2.385368
-60	38	3.918269
-58	38	3.032885
-56	38	-0.26329
-54	38	-3.55848
-52	38	0.17533
-50	38	3.387075
-48	38	4.55579
-46	38	4.065722
-44	38	2.08212
-42	38	-0.7311

-40	38	-0.8626
-38	38	1.87926
-36	38	4.048156
-34	38	5.12865
-32	38	5.29107
-30	38	4.69264
-28	38	3.481437
-26	38	1.92681
-24	38	0.68761
-22	38	0.60381
-20	38	1.58623
-18	38	2.852187
-16	38	3.945305
-14	38	4.76272
-12	38	5.33225
-10	38	5.70543
-8	38	5.93248
-6	38	6.05767
-4	38	6.11874
-2	38	6.14277
0	38	6.14814
2	38	6.1419
4	38	6.12834
6	38	6.10053
8	38	6.04342
10	38	5.93242
12	38	5.73704
14	38	5.42025
16	38	4.93727
18	38	4.23788
20	38	3.2903416
22	38	2.13748
24	38	1.0317
26	38	0.58387
28	38	1.2675
30	38	2.63477
32	38	3.952311
34	38	4.80967
36	38	5.02012
38	38	4.4405
40	38	2.90158
42	38	0.35662
44	38	-1.6498
46	38	0.05527
48	38	2.660981
50	38	4.029458
52	38	3.884016
54	38	1.95956
56	38	-2.19079
58	38	-3.85465
60	38	0.67396
62	38	3.1725524
64	38	3.2470675
66	38	0.64656
68	38	-6.11482
70	38	-3.86109
72	38	1.59399
74	38	3.081448
76	38	1.4213
78	38	-5.26025
80	38	-7.5134
82	38	0.72209
84	38	2.879549
86	38	1.46018
88	38	-5.37688
90	38	-8.156
92	38	0.75727
94	38	2.930689
96	38	1.46612
98	38	-5.20346
100	38	-6.73276
102	38	1.08435
104	38	3.1850829
106	38	1.941
108	38	-3.38138
110	38	-5.89917
112	38	0.98697
114	38	3.489791
116	38	3.095704
118	38	-0.12797
120	38	-4.80249
122	38	-0.5475
124	38	3.1190824
126	38	4.24288
128	38	3.350683
130	38	0.54132
132	38	-2.41677
134	38	-0.03671
136	38	3.1032154
138	38	4.67027
140	38	4.87698
142	38	3.929
144	38	2.01368
146	38	-0.04646
148	38	-0.08707
150	38	1.84162
152	38	3.722134
154	38	4.95866
156	38	5.59049
158	38	5.73209
160	38	5.49377
162	38	4.9745
164	38	4.26968
166	38	3.484149
168	38	2.733592
170	38	2.11921
172	38	1.69884
174	38	1.47056
176	38	1.38647
178	38	1.38111
180	38	1.40068
-180	40	4.6513
-178	40	4.66642
-176	40	4.58083
-174	40	4.39097
-172	40	4.08892
-170	40	3.667156

-168	40	3.1282778
-166	40	2.507482
-164	40	1.9137
-162	40	1.55758
-160	40	1.68812
-158	40	2.362254
-156	40	3.352287
-154	40	4.33686
-152	40	5.06457
-150	40	5.37448
-148	40	5.13734
-146	40	4.22319
-144	40	2.532877
-142	40	0.37291
-140	40	-0.36598
-138	40	1.45428
-136	40	3.451073
-134	40	4.39022
-132	40	3.99175
-130	40	1.97762
-128	40	-1.7007
-126	40	-2.31182
-124	40	1.4079
-122	40	3.473686
-120	40	3.325322
-118	40	0.58708
-116	40	-5.37582
-114	40	-2.46046
-112	40	2.07566
-110	40	3.1344875
-108	40	0.99371
-106	40	-6.50354
-104	40	-4.68265
-102	40	1.55219
-100	40	2.842164
-98	40	0.32505
-96	40	-10.0131
-94	40	-3.7048
-92	40	1.97374
-90	40	2.61828
-88	40	-0.96014
-86	40	-13.1238
-84	40	-1.41692
-82	40	2.63547
-80	40	2.426406
-78	40	-2.08388
-76	40	-8.4357
-74	40	0.22592
-72	40	3.1898645
-70	40	2.617954
-68	40	-1.58616
-66	40	-5.49079
-64	40	0.74362
-62	40	3.585635
-60	40	3.532195
-58	40	0.84705
-56	40	-3.31643
-54	40	-0.43755
-52	40	3.1848672
-50	40	4.49952
-48	40	3.918507
-46	40	1.63178
-44	40	-1.13466
-42	40	0.03048
-40	40	2.952708
-38	40	4.71917
-36	40	5.26136
-34	40	4.77745
-32	40	3.449693
-30	40	1.65771
-28	40	0.53151
-26	40	1.18464
-24	40	2.76717
-22	40	4.198063
-20	40	5.19527
-18	40	5.78057
-16	40	6.03987
-14	40	6.05674
-12	40	5.9086
-10	40	5.65909
-8	40	5.3666
-6	40	5.07894
-4	40	4.83221
-2	40	4.65099
0	40	4.5494
2	40	4.53137
4	40	4.59845
6	40	4.74438
8	40	4.95619
10	40	5.2129
12	40	5.48342
14	40	5.72656
16	40	5.89521
18	40	5.93102
20	40	5.76964
22	40	5.3381
24	40	4.56582
26	40	3.398957
28	40	1.93667
30	40	0.75507
32	40	0.91478
34	40	2.332876
36	40	3.837577
38	40	4.73613
40	40	4.7726
42	40	3.760757
44	40	1.5184
46	40	-1.28914
48	40	-0.71944
50	40	2.15904
52	40	3.83169
54	40	3.769175
56	40	1.66966
58	40	-2.88203
60	40	-3.13536
62	40	1.44062
64	40	3.339158

66	40	2.545168
68	40	-1.703
70	40	-7.8933
72	40	-0.44558
74	40	2.747625
76	40	2.35792
78	40	-2.26417
80	40	-11.5948
82	40	-0.49058
84	40	2.685271
86	40	1.82371
88	40	-4.29274
90	40	-8.9812
92	40	0.66792
94	40	2.877662
96	40	1.12033
98	40	-6.65797
100	40	-4.64694
102	40	1.8188
104	40	3.1174565
106	40	0.79297
108	40	-6.26257
110	40	-2.4639
112	40	2.501923
114	40	3.569111
116	40	1.64262
118	40	-3.38613
120	40	-2.30878
122	40	2.38243
124	40	4.131244
126	40	3.549756
128	40	0.79972
130	40	-2.32755
132	40	0.25967
134	40	3.410784
136	40	4.78018
138	40	4.61684
140	40	3.1323007
142	40	0.76743
144	40	-0.32834
146	40	1.48078
148	40	3.661729
150	40	5.04086
152	40	5.61773
154	40	5.53678
156	40	4.92919
158	40	3.942228
160	40	2.792302
162	40	1.8121
164	40	1.37307
166	40	1.57
168	40	2.15692
170	40	2.839489
172	40	3.454349
174	40	3.943481
176	40	4.2991
178	40	4.53098
180	40	4.6513
-180	42	6.38238
-178	42	6.37392
-176	42	6.35716
-174	42	6.32486
-172	42	6.26107
-170	42	6.14161
-168	42	5.93443
-166	42	5.60087
-164	42	5.09861
-162	42	4.38526
-160	42	3.46628
-158	42	2.454543
-156	42	1.70341
-154	42	1.74013
-152	42	2.639634
-150	42	3.8435
-148	42	4.7982
-146	42	5.20362
-144	42	4.87925
-142	42	3.667667
-140	42	1.54035
-138	42	-0.39702
-136	42	0.58069
-134	42	2.878999
-132	42	4.177408
-130	42	3.959494
-128	42	1.91974
-126	42	-1.96324
-124	42	-1.98413
-122	42	1.84128
-120	42	3.532998
-118	42	2.704455
-116	42	-1.33038
-114	42	-6.0857
-112	42	0.04041
-110	42	2.907671
-108	42	2.29859
-106	42	-2.66337
-104	42	-8.7182
-102	42	0.27163
-100	42	2.784624
-98	42	1.19467
-96	42	-7.0133
-94	42	-5.21166
-92	42	1.65757
-90	42	2.617641
-88	42	-0.94257
-86	42	-12.681
-84	42	-0.9277
-82	42	2.749156
-80	42	2.00678
-78	42	-3.74568
-76	42	-5.75917
-74	42	1.48817
-72	42	3.310934
-70	42	1.4991
-68	42	-4.38101
-66	42	-2.29351
-64	42	2.608459

-62	42	3.827542
-60	42	2.15884
-58	42	-2.16726
-56	42	-1.64006
-54	42	2.624411
-52	42	4.39331
-50	42	3.980396
-48	42	1.63538
-46	42	-1.15268
-44	42	0.54223
-42	42	3.478928
-40	42	4.98167
-38	42	5.10823
-36	42	4.077095
-34	42	2.19976
-32	42	0.64325
-30	42	1.22397
-28	42	3.066276
-26	42	4.63181
-24	42	5.5812
-22	42	5.96957
-20	42	5.91526
-18	42	5.53095
-16	42	4.92494
-14	42	4.21047
-12	42	3.510708
-10	42	2.932499
-8	42	2.538749
-6	42	2.330328
-4	42	2.259532
-2	42	2.263211
0	42	2.289691
2	42	2.308756
4	42	2.31672
6	42	2.331461
8	42	2.391421
10	42	2.548127
12	42	2.848572
14	42	3.309732
16	42	3.899524
18	42	4.5402
20	42	5.13085
22	42	5.56734
24	42	5.74883
26	42	5.57415
28	42	4.94832
30	42	3.787065
32	42	2.1597
34	42	0.77087
36	42	1.05848
38	42	2.709453
40	42	4.165385
42	42	4.71983
44	42	4.115411
46	42	2.12015
48	42	-0.94209
50	42	-1.02932
52	42	1.99467
54	42	3.748023
56	42	3.514853
58	42	0.90892
60	42	-4.05388
62	42	-1.67296
64	42	2.334399
66	42	3.2485457
68	42	1.0371
70	42	-5.9572
72	42	-3.51857
74	42	1.8907
76	42	2.79965
78	42	-0.28974
80	42	-11.5103
82	42	-2.00871
84	42	2.385476
86	42	2.10289
88	42	-3.37352
90	42	-9.7738
92	42	0.5827
94	42	2.8277
96	42	0.7702
98	42	-8.0584
100	42	-3.03588
102	42	2.339708
104	42	2.854551
106	42	-0.69544
108	42	-7.2198
110	42	0.00184
112	42	3.2905135
114	42	3.00726
116	42	-0.645
118	42	-4.27158
120	42	0.97991
122	42	3.804894
124	42	3.874297
126	42	1.51972
128	42	-2.05677
130	42	0.0037
132	42	3.377472
134	42	4.77011
136	42	4.42559
138	42	2.577349
140	42	0.12013
142	42	0.29486
144	42	2.77237
146	42	4.66049
148	42	5.51172
150	42	5.46938
152	42	4.69695
154	42	3.410946
156	42	2.05201
158	42	1.39114
160	42	1.85613
162	42	2.935569
164	42	4.026524
166	42	4.88817
168	42	5.50184
170	42	5.90675

172	42	6.15385
174	42	6.29044
176	42	6.35572
178	42	6.37956
180	42	6.38238
-180	44	5.09773
-178	44	5.0786
-176	44	5.13597
-174	44	5.26288
-172	44	5.4458
-170	44	5.66289
-168	44	5.88251
-166	44	6.06307
-164	44	6.15305
-162	44	6.09069
-160	44	5.81253
-158	44	5.25173
-156	44	4.35249
-154	44	3.1606616
-152	44	2.0059
-150	44	1.66763
-148	44	2.541385
-146	44	3.866168
-144	44	4.81867
-142	44	5.00773
-140	44	4.21854
-138	44	2.305575
-136	44	-0.1003
-134	44	0.13068
-132	44	2.560383
-130	44	4.033762
-128	44	3.784011
-126	44	1.44838
-124	44	-2.64123
-122	44	-1.10728
-120	44	2.490746
-118	44	3.441992
-116	44	1.46208
-114	44	-4.49939
-112	44	-3.08347
-110	44	1.98319
-108	44	2.88437
-106	44	-0.19789
-104	44	-9.9466
-102	44	-1.47278
-100	44	2.50403
-98	44	1.81296
-96	44	-4.79894
-94	44	-6.934
-92	44	1.31773
-90	44	2.614733
-88	44	-0.91068
-86	44	-12.1015
-84	44	-0.50239
-82	44	2.81597
-80	44	1.51624
-78	44	-5.51502
-76	44	-3.38692
-74	44	2.33364
-72	44	3.1051607
-70	44	-0.07984
-68	44	-5.55484
-66	44	0.40171
-64	44	3.545372
-62	44	3.2734727
-60	44	-0.11229
-58	44	-2.94779
-56	44	1.53174
-54	44	4.131164
-52	44	4.19475
-50	44	2.0627
-48	44	-0.96555
-46	44	0.57454
-44	44	3.624364
-42	44	5.04659
-40	44	4.91964
-38	44	3.481363
-36	44	1.36286
-34	44	0.74496
-32	44	2.513477
-30	44	4.41316
-28	44	5.5514
-26	44	5.93204
-24	44	5.69789
-22	44	4.99624
-20	44	4.009774
-18	44	3.013321
-16	44	2.348881
-14	44	2.235479
-12	44	2.585074
-10	44	3.1423426
-8	44	3.705387
-6	44	4.178021
-4	44	4.53131
-2	44	4.76532
0	44	4.88856
2	44	4.90815
4	44	4.82776
6	44	4.64609
8	44	4.35983
10	44	3.969861
12	44	3.494293
14	44	2.99162
16	44	2.58798
18	44	2.472684
20	44	2.794666
22	44	3.501501
24	44	4.35817
26	44	5.10036
28	44	5.52444
30	44	5.47498
32	44	4.82451
34	44	3.481183
36	44	1.64994
38	44	0.62904
40	44	1.79472
42	44	3.584304

44	44	4.53111
46	44	4.184556
48	44	2.275207
50	44	-0.9388
52	44	-0.97822
54	44	2.17551
56	44	3.741677
58	44	3.029114
60	44	-0.50636
62	44	-4.62784
64	44	0.21362
66	44	3.015062
68	44	2.506267
70	44	-2.09431
72	44	-7.3006
74	44	0.47441
76	44	2.832964
78	44	1.03185
80	44	-7.722
82	44	-3.9004
84	44	1.98434
86	44	2.308489
88	44	-2.58584
90	44	-10.4851
92	44	0.50228
94	44	2.781847
96	44	0.42026
98	44	-9.1665
100	44	-1.77428
102	44	2.689582
104	44	2.41467
106	44	-2.50381
108	44	-5.1239
110	44	1.62949
112	44	3.523625
114	44	1.8462
116	44	-3.29194
118	44	-1.44473
120	44	2.976291
122	44	4.102423
124	44	2.510313
126	44	-1.25656
128	44	-0.73896
130	44	3.012659
132	44	4.69798
134	44	4.39557
136	44	2.3951
138	44	-0.05476
140	44	0.89179
142	44	3.517421
144	44	5.12514
146	44	5.5388
148	44	4.9482
150	44	3.589971
152	44	2.02303
154	44	1.44158
156	44	2.370359
158	44	3.807354
160	44	4.99245
162	44	5.77379
164	44	6.19421
166	44	6.33178
168	44	6.27142
170	44	6.08693
172	44	5.84129
174	44	5.58644
176	44	5.3618
178	44	5.19392
180	44	5.09773
-180	46	3.087985
-178	46	3.108128
-176	46	3.14088
-174	46	3.199822257
-172	46	3.314305
-170	46	3.520117
-168	46	3.843219
-166	46	4.28129
-164	46	4.79312
-162	46	5.30385
-160	46	5.72116
-158	46	5.94707
-156	46	5.88173
-154	46	5.43434
-152	46	4.52788
-150	46	3.20373269
-148	46	1.92577
-146	46	1.77922
-144	46	2.972404
-142	46	4.29449
-140	46	4.8917
-138	46	4.40964
-136	46	2.643221
-134	46	0.04775
-132	46	0.00343
-130	46	2.541863
-128	46	3.977701
-126	46	3.434846
-124	46	0.47697
-122	46	-3.22601
-120	46	0.26735
-118	46	3.094017
-116	46	2.886467
-114	46	-0.96676
-112	46	-6.25106
-110	46	0.33019
-108	46	2.89617
-106	46	1.34921
-104	46	-6.44537
-102	46	-3.79062
-100	46	2.01052
-98	46	2.229087
-96	46	-3.12939
-94	46	-8.8484
-92	46	0.95541
-90	46	2.609749
-88	46	-0.86577
-86	46	-11.4663

-84	46	-0.13092
-82	46	2.843219
-80	46	0.96259
-78	46	-7.0662
-76	46	-1.57077
-74	46	2.862343
-72	46	2.608672
-70	46	-2.04459
-68	46	-3.65565
-66	46	2.15472
-64	46	3.778215
-62	46	1.99903
-60	46	-2.48631
-58	46	-0.30961
-56	46	3.492851
-54	46	4.39921
-52	46	2.807228
-50	46	-0.45203
-48	46	0.17821
-46	46	3.448446
-44	46	5.02271
-42	46	4.83248
-40	46	3.1682772
-38	46	1.01112
-36	46	1.24545
-34	46	3.453358
-32	46	5.14113
-30	46	5.85401
-28	46	5.71288
-26	46	4.8957
-24	46	3.676171
-22	46	2.567406
-20	46	2.236357
-18	46	2.811335
-16	46	3.778133
-14	46	4.69349
-12	46	5.403
-10	46	5.90103
-8	46	6.22434
-6	46	6.41812
-4	46	6.52302
-2	46	6.57113
0	46	6.58473
2	46	6.57572
4	46	6.54699
6	46	6.49161
8	46	6.39381
10	46	6.22963
12	46	5.9685
14	46	5.57631
16	46	5.01966
18	46	4.29154
20	46	3.462847
22	46	2.7532
24	46	2.543287
26	46	3.055138
28	46	4.006044
30	46	4.89897
32	46	5.37418
34	46	5.20983
36	46	4.2482
38	46	2.480302
40	46	0.75669
42	46	1.24466
44	46	3.1695844
46	46	4.35409
48	46	4.089918
50	46	2.05265
52	46	-1.2987
54	46	-0.53628
56	46	2.621835
58	46	3.680474
60	46	2.09409
62	46	-2.78884
64	46	-2.89904
66	46	1.92468
68	46	3.078238
70	46	0.4522
72	46	-7.6815
74	46	-1.58994
76	46	2.50264
78	46	1.8942
80	46	-4.64504
82	46	-6.24605
84	46	1.48318
86	46	2.449306
88	46	-1.90536
90	46	-11.0566
92	46	0.42683
94	46	2.740711
96	46	0.07372
98	46	-9.68
100	46	-0.77251
102	46	2.899071
104	46	1.81236
106	46	-4.45876
108	46	-2.57809
110	46	2.655618
112	46	3.2954545
114	46	0.12577
116	46	-4.01298
118	46	1.20077
120	46	3.917749
122	46	3.476628
124	46	0.24672
126	46	-1.66406
128	46	2.22524
130	46	4.51074
132	46	4.52634
134	46	2.595551
136	46	0.03027
138	46	1.13253
140	46	3.844067
142	46	5.30229
144	46	5.40894
146	46	4.38713
148	46	2.653346

150	46	1.47982
152	46	2.23654
154	46	3.890982
156	46	5.23254
158	46	6.00901
160	46	6.27474
162	46	6.14554
164	46	5.73635
166	46	5.16089
168	46	4.53706
170	46	3.972313
172	46	3.541196
174	46	3.2684657
176	46	3.1321695
178	46	3.086659
180	46	3.087985
-180	48	4.80953
-178	48	4.83967
-176	48	4.77087
-174	48	4.60681
-172	48	4.35443
-170	48	4.032324
-168	48	3.684688
-166	48	3.397074
-164	48	3.2922449
-162	48	3.487077
-160	48	3.989108
-158	48	4.66351
-156	48	5.30437
-154	48	5.71694
-152	48	5.73832
-150	48	5.24474
-148	48	4.154546
-146	48	2.639735
-144	48	1.64083
-142	48	2.349394
-140	48	3.840858
-138	48	4.71501
-136	48	4.39857
-134	48	2.626066
-132	48	-0.0889
-130	48	0.15681
-128	48	2.797369
-126	48	3.936883
-124	48	2.773786
-122	48	-1.1241
-120	48	-2.56886
-118	48	1.76646
-116	48	3.301144
-114	48	1.36741
-112	48	-5.18435
-110	48	-2.1231
-108	48	2.399798
-106	48	2.264804
-104	48	-3.26487
-102	48	-6.75593
-100	48	1.30568
-98	48	2.477055
-96	48	-1.83824
-94	48	-10.7744
-92	48	0.57168
-90	48	2.602823
-88	48	-0.8092
-86	48	-10.8313
-84	48	0.19444
-82	48	2.837328
-80	48	0.35479
-78	48	-7.7865
-76	48	-0.20264
-74	48	3.1394215
-72	48	1.84714
-70	48	-3.99067
-68	48	-1.16774
-66	48	3.1877265
-64	48	3.431724
-62	48	0.1223
-60	48	-2.46196
-58	48	2.15472
-56	48	4.33394
-54	48	3.655836
-52	48	0.60183
-50	48	-0.47585
-48	48	2.922633
-46	48	4.90665
-44	48	4.89299
-42	48	3.19064723
-40	48	0.97966
-38	48	1.60263
-36	48	3.962419
-34	48	5.48407
-32	48	5.8622
-30	48	5.27761
-28	48	4.003972
-26	48	2.659769
-24	48	2.289795
-22	48	3.1635325
-20	48	4.41718
-18	48	5.44779
-16	48	6.12638
-14	48	6.48749
-12	48	6.60451
-10	48	6.55861
-8	48	6.41742
-6	48	6.23753
-4	48	6.06287
-2	48	5.92403
0	48	5.83923
2	48	5.81499
4	48	5.852
6	48	5.94226
8	48	6.07035
10	48	6.21242
12	48	6.3354
14	48	6.39702
16	48	6.34332
18	48	6.11819
20	48	5.66624

22	48	4.94296
24	48	3.978841
26	48	3.005186
28	48	2.558846
30	48	3.062397
32	48	4.112751
34	48	4.98734
36	48	5.22953
38	48	4.59285
40	48	2.963408
42	48	0.94716
44	48	1.00256
46	48	2.997924
48	48	4.25268
50	48	3.854206
52	48	1.43694
54	48	-1.80924
56	48	0.3676
58	48	3.1529026
60	48	3.326088
62	48	0.32729
64	48	-4.84705
66	48	-0.03594
68	48	2.933254
70	48	1.96287
72	48	-4.27609
74	48	-4.39851
76	48	1.82748
78	48	2.407046
80	48	-2.46049
82	48	-9.0223
84	48	0.88232
86	48	2.532759
88	48	-1.31378
90	48	-11.4328
92	48	0.35599
94	48	2.704729
96	48	-0.26545
98	48	-9.4713
100	48	0.03067
102	48	2.991568
104	48	1.06305
106	48	-5.95679
108	48	-0.58024
110	48	3.2327517
112	48	2.662203
114	48	-1.94057
116	48	-1.93972
118	48	2.884735
120	48	4.046773
122	48	2.04853
124	48	-1.68915
126	48	0.86974
128	48	4.059242
130	48	4.70953
132	48	3.1278976
134	48	0.34535
136	48	0.99703
138	48	3.844118
140	48	5.34117
142	48	5.30568
144	48	3.997154
146	48	2.11884
148	48	1.65054
150	48	3.2267397
152	48	4.92412
154	48	5.93733
156	48	6.24257
158	48	5.98072
160	48	5.30764
162	48	4.42294
164	48	3.588648
166	48	3.073608
168	48	2.998573
170	48	3.2645404
172	48	3.679215
174	48	4.094499
176	48	4.43546
178	48	4.67533
180	48	4.80953
-180	50	6.64603
-178	50	6.6411
-176	50	6.59504
-174	50	6.50251
-172	50	6.34993
-170	50	6.11724
-168	50	5.78159
-166	50	5.32474
-164	50	4.74146
-162	50	4.098622
-160	50	3.55718
-158	50	3.367751
-156	50	3.70579
-154	50	4.42392
-152	50	5.16267
-150	50	5.59225
-148	50	5.48254
-146	50	4.68173
-144	50	3.20612893
-142	50	1.76761
-140	50	2.01859
-138	50	3.565972
-136	50	4.5785
-134	50	4.25358
-132	50	2.282154
-130	50	-0.44898
-128	50	0.65819
-126	50	3.2234854
-124	50	3.741507
-122	50	1.5475
-120	50	-3.03354
-118	50	-0.46045
-116	50	2.889421
-114	50	2.646973
-112	50	-1.9974
-110	50	-5.15951
-108	50	1.41237

-106	50	2.705719
-104	50	-1.05859
-102	50	-9.729
-100	50	0.38298
-98	50	2.58177
-96	50	-0.82213
-94	50	-12.156
-92	50	0.16729
-90	50	2.593923
-88	50	-0.74235
-86	50	-10.2303
-84	50	0.47972
-82	50	2.804242
-80	50	-0.29629
-78	50	-7.33
-76	50	0.82842
-74	50	3.2106437
-72	50	0.84693
-70	50	-4.83464
-68	50	0.75934
-66	50	3.675508
-64	50	2.582614
-62	50	-1.82575
-60	50	-0.22065
-58	50	3.653417
-56	50	4.28993
-54	50	2.08644
-52	50	-0.77317
-50	50	1.94781
-48	50	4.60733
-46	50	5.04463
-44	50	3.533343
-42	50	1.16338
-40	50	1.65821
-38	50	4.131396
-36	50	5.61355
-34	50	5.79559
-32	50	4.888
-30	50	3.336752
-28	50	2.299692
-26	50	2.916049
-24	50	4.36616
-22	50	5.58743
-20	50	6.31211
-18	50	6.57316
-16	50	6.4831
-14	50	6.15158
-12	50	5.68458
-10	50	5.18659
-8	50	4.74016
-6	50	4.39613
-4	50	4.16876
-2	50	4.044254
0	50	3.997666
2	50	4.005864
4	50	4.062642
6	50	4.172435
8	50	4.34811
10	50	4.60137
12	50	4.93122
14	50	5.31388
16	50	5.69973
18	50	6.02053
20	50	6.1959
22	50	6.13554
24	50	5.76038
26	50	5.00968
28	50	3.92744
30	50	2.869243
32	50	2.617038
34	50	3.458161
36	50	4.55757
38	50	5.10071
40	50	4.68066
42	50	3.1151282
44	50	0.96098
46	50	0.98437
48	50	3.078748
50	50	4.20575
52	50	3.408357
54	50	0.3514
56	50	-1.82863
58	50	1.59162
60	50	3.487389
62	50	2.302615
64	50	-2.7316
66	50	-2.76302
68	50	2.14738
70	50	2.738879
72	50	-1.41117
74	50	-7.5312
76	50	0.80145
78	50	2.637443
80	50	-0.88614
82	50	-11.4583
84	50	0.18033
86	50	2.565112
88	50	-0.79696
90	50	-11.5807
92	50	0.28889
94	50	2.674058
96	50	-0.59338
98	50	-8.7284
100	50	0.67803
102	50	2.98593
104	50	0.18319
106	50	-6.07149
108	50	0.87651
110	50	3.457471
112	50	1.66864
114	50	-3.47535
116	50	0.40251
118	50	3.784403
120	50	3.504822
122	50	0.08895
124	50	-0.91247
126	50	3.099931

128	50	4.74896
130	50	3.847827
132	50	1.05157
134	50	0.57472
136	50	3.533422
138	50	5.2885
140	50	5.31125
142	50	3.886071
144	50	1.9419
146	50	1.9788
148	50	3.905698
150	50	5.49276
152	50	6.18526
154	50	6.06984
156	50	5.33196
158	50	4.25067
160	50	3.2902474
162	50	2.976787
164	50	3.402488
166	50	4.183683
168	50	4.95381
170	50	5.57297
172	50	6.01964
174	50	6.31779
176	50	6.50193
178	50	6.60352
180	50	6.64603
-180	52	6.59457
-178	52	6.56462
-176	52	6.57067
-174	52	6.60462
-172	52	6.64929
-170	52	6.67852
-168	52	6.66107
-166	52	6.55545
-164	52	6.31193
-162	52	5.89271
-160	52	5.273
-158	52	4.48865
-156	52	3.738718
-154	52	3.395879
-152	52	3.750796
-150	52	4.55551
-148	52	5.26841
-146	52	5.46609
-144	52	4.89925
-142	52	3.494816
-140	52	1.8563
-138	52	1.89843
-136	52	3.503458
-134	52	4.50531
-132	52	3.960919
-130	52	1.5796
-128	52	-0.73658
-126	52	1.53564
-124	52	3.61852
-122	52	3.1159096
-120	52	-0.58978
-118	52	-2.92087
-116	52	1.72994
-114	52	3.1390065
-112	52	0.38447
-110	52	-6.69518
-108	52	-0.08255
-106	52	2.761601
-104	52	0.45281
-102	52	-9.8633
-100	52	-0.77245
-98	52	2.561485
-96	52	-0.01437
-94	52	-12.2333
-92	52	-0.25737
-90	52	2.582938
-88	52	-0.6666
-86	52	-9.6823
-84	52	0.72958
-82	52	2.749067
-80	52	-0.9771
-78	52	-6.12914
-76	52	1.60295
-74	52	3.1108242
-72	52	-0.34639
-70	52	-3.91544
-68	52	2.10235
-66	52	3.731314
-64	52	1.31248
-62	52	-2.42463
-60	52	1.89238
-58	52	4.335
-56	52	3.517489
-54	52	0.22252
-52	52	0.5363
-50	52	3.940351
-48	52	5.14727
-46	52	4.109587
-44	52	1.63002
-42	52	1.43989
-40	52	3.998394
-38	52	5.62631
-36	52	5.7768
-34	52	4.68979
-32	52	3.001903
-30	52	2.381193
-28	52	3.631441
-26	52	5.19778
-24	52	6.20584
-22	52	6.56649
-20	52	6.40371
-18	52	5.86368
-16	52	5.12842
-14	52	4.40546
-12	52	3.890107
-10	52	3.680957
-8	52	3.738029
-6	52	3.940022
-4	52	4.176724
-2	52	4.37801

0	52	4.50965
2	52	4.55673
4	52	4.52371
6	52	4.42107
8	52	4.27083
10	52	4.112212
12	52	4.00915
14	52	4.037308
16	52	4.25616
18	52	4.66778
20	52	5.18859
22	52	5.67968
24	52	5.99199
26	52	5.98411
28	52	5.54761
30	52	4.62276
32	52	3.385913
34	52	2.567633
36	52	3.047605
38	52	4.23107
40	52	4.95506
42	52	4.61637
44	52	2.97886
46	52	0.76356
48	52	1.20116
50	52	3.366011
52	52	4.108292
54	52	2.586695
56	52	-1.15429
58	52	-0.66469
60	52	2.75349
62	52	3.2422278
64	52	0.01944
66	52	-4.95581
68	52	0.73474
70	52	2.94787
72	52	0.50933
74	52	-8.2669
76	52	-0.59981
78	52	2.62876
80	52	0.2646
82	52	-11.411
84	52	-0.62568
86	52	2.551758
88	52	-0.34374
90	52	-11.5038
92	52	0.22422
94	52	2.648699
96	52	-0.9064
98	52	-7.7562
100	52	1.20045
102	52	2.898137
104	52	-0.80014
106	52	-4.86701
108	52	1.91353
110	52	3.394586
112	52	0.37775
114	52	-3.17028
116	52	2.1177
118	52	4.076027
120	52	2.399825
122	52	-1.37079
124	52	1.33941
126	52	4.3629
128	52	4.51191
130	52	2.202958
132	52	0.21193
134	52	2.853933
136	52	5.10042
138	52	5.42034
140	52	4.064784
142	52	2.01742
144	52	2.14813
146	52	4.23741
148	52	5.76848
150	52	6.2345
152	52	5.78102
154	52	4.67478
156	52	3.459389
158	52	2.992574
160	52	3.599064
162	52	4.65436
164	52	5.60146
166	52	6.26952
168	52	6.65997
170	52	6.83937
172	52	6.87585
174	52	6.8265
176	52	6.74117
178	52	6.65618
180	52	6.59457
-180	54	5.19847
-178	54	5.17957
-176	54	5.23214
-174	54	5.34977
-172	54	5.52536
-170	54	5.75035
-168	54	6.00284
-166	54	6.24398
-164	54	6.42424
-162	54	6.48423
-160	54	6.3533
-158	54	5.96972
-156	54	5.30117
-154	54	4.41081
-152	54	3.610515
-150	54	3.447408
-148	54	4.090107
-146	54	4.94861
-144	54	5.35698
-142	54	4.92667
-140	54	3.522685
-138	54	1.79296
-136	54	1.94646
-134	54	3.64211
-132	54	4.44547
-130	54	3.422524

-128	54	0.49875
-126	54	-0.37569
-124	54	2.591931
-122	54	3.678963
-120	54	1.64293
-118	54	-3.24178
-116	54	-0.11126
-114	54	2.997193
-112	54	1.88289
-110	54	-4.73388
-108	54	-2.10576
-106	54	2.48397
-104	54	1.47511
-102	54	-7.2339
-100	54	-2.18275
-98	54	2.429944
-96	54	0.6301
-94	54	-11.082
-92	54	-0.70233
-90	54	2.569681
-88	54	-0.58314
-86	54	-9.1975
-84	54	0.94787
-82	54	2.676572
-80	54	-1.67011
-78	54	-4.76167
-76	54	2.17801
-74	54	2.867888
-72	54	-1.63438
-70	54	-2.20461
-68	54	2.984565
-66	54	3.433141
-64	54	-0.19596
-62	54	-1.11923
-60	54	3.321763
-58	54	4.36984
-56	54	2.18611
-54	54	-0.46509
-52	54	2.665519
-50	54	4.97157
-48	54	4.7479
-46	54	2.482011
-44	54	1.14237
-42	54	3.546958
-40	54	5.51672
-38	54	5.84446
-36	54	4.73882
-34	54	2.950716
-32	54	2.540093
-30	54	4.098562
-28	54	5.6724
-26	54	6.47617
-24	54	6.52249
-22	54	5.97549
-20	54	5.07629
-18	54	4.175092
-16	54	3.676844
-14	54	3.76428
-12	54	4.25155
-10	54	4.84649
-8	54	5.38272
-6	54	5.79937
-4	54	6.08947
-2	54	6.27125
0	54	6.36441
2	54	6.37833
4	54	6.3236
6	54	6.19828
8	54	5.99501
10	54	5.70915
12	54	5.3406
14	54	4.9043
16	54	4.46564
18	54	4.156144
20	54	4.126036
22	54	4.44941
24	54	5.01264
26	54	5.57089
28	54	5.87497
30	54	5.72754
32	54	5.00328
34	54	3.760631
36	54	2.63905
38	54	2.847713
40	54	4.067104
42	54	4.85362
44	54	4.43113
46	54	2.557861
48	54	0.47055
50	54	1.72818
52	54	3.738534
54	54	3.763801
56	54	1.13911
58	54	-2.11479
60	54	1.23939
62	54	3.367536
64	54	1.87158
66	54	-3.98447
68	54	-1.28963
70	54	2.681443
72	54	1.73777
74	54	-5.76146
76	54	-2.41366
78	54	2.40953
80	54	1.10542
82	54	-9.177
84	54	-1.54058
86	54	2.497302
88	54	0.0549
90	54	-11.2404
92	54	0.16032
94	54	2.62858
96	54	-1.20114
98	54	-6.76425
100	54	1.62131
102	54	2.742398
104	54	-1.8409

106	54	-3.26433
108	54	2.629586
110	54	3.092155
112	54	-1.06137
114	54	-1.51434
116	54	3.2269379
118	54	3.87841
120	54	0.90993
122	54	-0.87928
124	54	3.1712355
126	54	4.79605
128	54	3.530973
130	54	0.61755
132	54	1.777
134	54	4.64459
136	54	5.54071
138	54	4.49236
140	54	2.327652
142	54	2.09875
144	54	4.26343
146	54	5.86372
148	54	6.2453
150	54	5.56964
152	54	4.22493
154	54	3.1154088
156	54	3.323433
158	54	4.50004
160	54	5.66889
162	54	6.44776
164	54	6.81818
166	54	6.86979
168	54	6.69717
170	54	6.39464
172	54	6.05053
174	54	5.72941
176	54	5.46961
178	54	5.29168
180	54	5.19847
-180	56	4.43253
-178	56	4.47719
-176	56	4.50697
-174	56	4.52698
-172	56	4.56515
-170	56	4.65418
-168	56	4.82813
-166	56	5.10276
-164	56	5.46061
-162	56	5.84467
-160	56	6.16519
-158	56	6.32259
-156	56	6.212
-154	56	5.75578
-152	56	4.933
-150	56	3.948914
-148	56	3.392425
-146	56	3.813084
-144	56	4.7296
-142	56	5.24779
-140	56	4.828
-138	56	3.311221
-136	56	1.5971
-134	56	2.205486
-132	56	3.923062
-130	56	4.26871
-128	56	2.466281
-126	56	-0.64728
-124	56	0.9134
-122	56	3.42206
-120	56	2.980176
-118	56	-1.17509
-116	56	-2.32121
-114	56	2.303623
-112	56	2.714589
-110	56	-2.09228
-108	56	-4.54772
-106	56	1.90223
-104	56	2.13447
-102	56	-4.63063
-100	56	-3.87225
-98	56	2.19807
-96	56	1.14334
-94	56	-9.4831
-92	56	-1.16827
-90	56	2.553825
-88	56	-0.4931
-86	56	-8.7812
-84	56	1.13761
-82	56	2.591274
-80	56	-2.35434
-78	56	-3.50371
-76	56	2.595501
-74	56	2.506786
-72	56	-2.82483
-70	56	-0.57657
-68	56	3.51036
-66	56	2.842883
-64	56	-1.49582
-62	56	0.70967
-60	56	4.137582
-58	56	3.882779
-56	56	0.68226
-54	56	0.77383
-52	56	4.21163
-50	56	5.17537
-48	56	3.631701
-46	56	1.23933
-44	56	2.746133
-42	56	5.2025
-40	56	5.94667
-38	56	5.02603
-36	56	3.1461147
-34	56	2.593805
-32	56	4.27259
-30	56	5.89587
-28	56	6.59042
-26	56	6.40581
-24	56	5.56103

-22	56	4.45257
-20	56	3.71162
-18	56	3.821844
-16	56	4.55097
-14	56	5.39925
-12	56	6.09274
-10	56	6.56939
-8	56	6.86122
-6	56	7.01489
-4	56	7.07978
-2	56	7.09001
0	56	7.07767
2	56	7.05315
4	56	7.02613
6	56	6.98682
8	56	6.9243
10	56	6.81485
12	56	6.63186
14	56	6.34054
16	56	5.92046
18	56	5.37999
20	56	4.77218
22	56	4.28235
24	56	4.152827
26	56	4.50479
28	56	5.12882
30	56	5.64459
32	56	5.72166
34	56	5.15019
36	56	3.9195
38	56	2.654117
40	56	2.798384
42	56	4.07592
44	56	4.7903
46	56	4.082182
48	56	1.83081
50	56	0.40893
52	56	2.540481
54	56	3.974114
56	56	2.866533
58	56	-1.01123
60	56	-0.75484
62	56	2.814943
64	56	2.900863
66	56	-1.48279
68	56	-3.67011
70	56	1.98995
72	56	2.459484
74	56	-3.10298
76	56	-4.64648
78	56	1.9987
80	56	1.70917
82	56	-6.8042
84	56	-2.57045
86	56	2.405696
88	56	0.40629
90	56	-10.845
92	56	0.09519
94	56	2.613504
96	56	-1.47479
98	56	-5.84978
100	56	1.95875
102	56	2.531775
104	56	-2.86331
106	56	-1.79038
108	56	3.097107
110	56	2.591775
112	56	-2.30586
114	56	0.23672
116	56	3.85627
118	56	3.2824076
120	56	-0.49734
122	56	0.86962
124	56	4.29207
126	56	4.56345
128	56	2.08759
130	56	0.66798
132	56	3.728281
134	56	5.49352
136	56	5.05282
138	56	2.953954
140	56	1.9269
142	56	3.993624
144	56	5.82022
146	56	6.28819
148	56	5.53636
150	56	4.046101
152	56	3.066973
154	56	3.754773
156	56	5.17373
158	56	6.27516
160	56	6.81674
162	56	6.87321
164	56	6.56428
166	56	6.04124
168	56	5.45102
170	56	4.93212
172	56	4.57279
174	56	4.39026
176	56	4.34717
178	56	4.37697
180	56	4.43253
-180	58	5.59287
-178	58	5.64632
-176	58	5.61745
-174	58	5.51146
-172	58	5.34097
-170	58	5.12765
-168	58	4.9111
-166	58	4.74605
-164	58	4.72208
-162	58	4.89536
-160	58	5.25279
-158	58	5.69469
-156	58	6.06108
-154	58	6.18885
-152	58	5.93575

-150	58	5.22669
-148	58	4.185535
-146	58	3.404749
-144	58	3.689872
-142	58	4.64434
-140	58	5.16818
-138	58	4.60576
-136	58	2.854576
-134	58	1.4234
-132	58	2.72688
-130	58	4.20545
-128	58	3.755994
-126	58	0.93314
-124	58	-0.64874
-122	58	2.490666
-120	58	3.54293
-118	58	0.92207
-116	58	-3.6504
-114	58	1.11113
-112	58	3.033684
-110	58	-0.08368
-108	58	-6.59018
-106	58	1.03099
-104	58	2.510791
-102	58	-2.62945
-100	58	-5.84184
-98	58	1.87443
-96	58	1.54896
-94	58	-7.9269
-92	58	-1.65656
-90	58	2.534975
-88	58	-0.39737
-86	58	-8.4358
-84	58	1.30142
-82	58	2.497539
-80	58	-3.00833
-78	58	-2.42792
-76	58	2.887284
-74	58	2.05106
-72	58	-3.61868
-70	58	0.73527
-68	58	3.757186
-66	58	2.02516
-64	58	-1.90057
-62	58	2.230585
-60	58	4.46636
-58	58	2.994062
-56	58	-0.14771
-54	58	2.543193
-52	58	5.04444
-50	58	4.71641
-48	58	2.223875
-46	58	1.75338
-44	58	4.53127
-42	58	5.95423
-40	58	5.4739
-38	58	3.616813
-36	58	2.563579
-34	58	4.156491
-32	58	5.93054
-30	58	6.65529
-28	58	6.35754
-26	58	5.31545
-24	58	4.115384
-22	58	3.687055
-20	58	4.33726
-18	58	5.38665
-16	58	6.26285
-14	58	6.82114
-12	58	7.09381
-10	58	7.14356
-8	58	7.05935
-6	58	6.90862
-4	58	6.74437
-2	58	6.60297
0	58	6.50851
2	58	6.46552
4	58	6.47748
6	58	6.53397
8	58	6.62123
10	58	6.71748
12	58	6.79325
14	58	6.80431
16	58	6.71228
18	58	6.46918
20	58	6.03435
22	58	5.42068
24	58	4.721
26	58	4.21906
28	58	4.24578
30	58	4.79744
32	58	5.42819
34	58	5.64794
36	58	5.14363
38	58	3.869518
40	58	2.564577
42	58	2.893952
44	58	4.23543
46	58	4.6914
48	58	3.459768
50	58	0.88445
52	58	1.01122
54	58	3.395631
56	58	3.73844
58	58	1.02331
60	58	-2.1734
62	58	1.67722
64	58	3.2853932
66	58	0.56662
68	58	-5.18556
70	58	0.89675
72	58	2.789693
74	58	-1.10421
76	58	-7.0553
78	58	1.40928
80	58	2.12461
82	58	-4.8614

84	58	-3.72188
86	58	2.280293
88	58	0.7166
90	58	-10.3706
92	58	0.02657
94	58	2.603244
96	58	-1.72516
98	58	-5.0455
100	58	2.227339
102	58	2.279159
104	58	-3.75691
106	58	-0.57165
108	58	3.369335
110	58	1.93336
112	58	-2.84256
114	58	1.64034
116	58	4.109878
118	58	2.380444
120	58	-0.99987
122	58	2.538265
124	58	4.8034
126	58	3.808805
128	58	0.85977
130	58	2.22194
132	58	5.02992
134	58	5.53047
136	58	3.898795
138	58	1.94868
140	58	3.411902
142	58	5.59591
144	58	6.35623
146	58	5.70172
148	58	4.130916
150	58	3.1137613
152	58	4.014363
154	58	5.56092
156	58	6.5921
158	58	6.93962
160	58	6.70912
162	58	6.08993
164	58	5.30861
166	58	4.63656
168	58	4.29431
170	58	4.31372
172	58	4.56986
174	58	4.90504
176	58	5.21397
178	58	5.44728
180	58	5.59287
-180	60	6.86818
-178	60	6.87961
-176	60	6.83718
-174	60	6.74174
-172	60	6.5863
-170	60	6.36387
-168	60	6.06825
-166	60	5.69571
-164	60	5.29758
-162	60	4.95025
-160	60	4.78601
-158	60	4.91077
-156	60	5.29884
-154	60	5.76547
-152	60	6.06245
-150	60	5.9649
-148	60	5.33655
-146	60	4.25856
-144	60	3.382129
-142	60	3.6897
-140	60	4.69131
-138	60	5.09029
-136	60	4.20127
-134	60	2.17689
-132	60	1.57677
-130	60	3.438003
-128	60	4.24332
-126	60	2.605261
-124	60	-0.7305
-122	60	1.07353
-120	60	3.479651
-118	60	2.359016
-116	60	-2.78389
-114	60	-0.50036
-112	60	2.936547
-110	60	1.2969
-108	60	-6.50067
-106	60	-0.12342
-104	60	2.658165
-102	60	-1.13124
-100	60	-7.96
-98	60	1.4656
-96	60	1.86492
-94	60	-6.55675
-92	60	-2.16941
-90	60	2.512569
-88	60	-0.29668
-86	60	-8.1623
-84	60	1.44145
-82	60	2.399509
-80	60	-3.60883
-78	60	-1.53301
-76	60	3.078917
-74	60	1.52482
-72	60	-3.77086
-70	60	1.73662
-68	60	3.784746
-66	60	1.06767
-64	60	-1.21841
-62	60	3.31652
-60	60	4.41175
-58	60	1.87875
-56	60	0.35166
-54	60	3.941958
-52	60	5.28004
-50	60	3.776544
-48	60	1.42076
-46	60	3.352549

-44	60	5.66249
-42	60	5.92154
-40	60	4.37583
-38	60	2.654312
-36	60	3.758902
-34	60	5.76904
-32	60	6.69768
-30	60	6.43938
-28	60	5.2992
-26	60	4.02162
-24	60	3.810581
-22	60	4.78995
-20	60	5.9567
-18	60	6.76299
-16	60	7.13783
-14	60	7.16001
-12	60	6.9469
-10	60	6.59753
-8	60	6.21747
-6	60	5.87784
-4	60	5.61849
-2	60	5.45303
0	60	5.37255
2	60	5.35917
4	60	5.40397
6	60	5.50155
8	60	5.64915
10	60	5.84492
12	60	6.0778
14	60	6.31798
16	60	6.52693
18	60	6.64508
20	60	6.60769
22	60	6.35151
24	60	5.83914
26	60	5.10766
28	60	4.39845
30	60	4.155966
32	60	4.60456
34	60	5.29204
36	60	5.56807
38	60	5.01874
40	60	3.617268
42	60	2.425828
44	60	3.1795128
46	60	4.47066
48	60	4.40801
50	60	2.420713
52	60	0.26368
54	60	2.242018
56	60	3.880289
58	60	2.583412
60	60	-1.65348
62	60	0.09835
64	60	3.1508057
66	60	1.94266
68	60	-4.36201
70	60	-0.57364
72	60	2.801974
74	60	0.32647
76	60	-8.55
78	60	0.64781
80	60	2.386628
82	60	-3.32736
84	60	-4.99879
86	60	2.12383
88	60	0.99089
90	60	-9.8579
92	60	-0.04794
94	60	2.597524
96	60	-1.95061
98	60	-4.35581
100	60	2.439195
102	60	1.99645
104	60	-4.39366
106	60	0.40116
108	60	3.487463
110	60	1.16351
112	60	-2.4586
114	60	2.668034
116	60	4.06776
118	60	1.30791
120	60	-0.27802
122	60	3.744409
124	60	4.82976
126	60	2.719673
128	60	0.8117
130	60	3.842061
132	60	5.63082
134	60	4.92797
136	60	2.609719
138	60	2.609728
140	60	5.07742
142	60	6.36162
144	60	6.02208
146	60	4.47734
148	60	3.19341921
150	60	4.033329
152	60	5.69963
154	60	6.74713
156	60	6.9823
158	60	6.54368
160	60	5.68646
162	60	4.78679
164	60	4.28441
166	60	4.3812
168	60	4.88374
170	60	5.47411
172	60	5.98909
174	60	6.37504
176	60	6.63429
178	60	6.79114
180	60	6.86818
-180	62	7.276
-178	62	7.24593
-176	62	7.21525
-174	62	7.18062

-172	62	7.13039
-170	62	7.04643
-168	62	6.89958
-166	62	6.6635
-164	62	6.32799
-162	62	5.8811
-160	62	5.38858
-158	62	4.96684
-156	62	4.82143
-154	62	5.05691
-152	62	5.53737
-150	62	5.93619
-148	62	5.92811
-146	62	5.30952
-144	62	4.163969
-142	62	3.313671
-140	62	3.824468
-138	62	4.8362
-136	62	4.92191
-134	62	3.510595
-132	62	1.49412
-130	62	2.305429
-128	62	4.057668
-126	62	3.686102
-124	62	0.61139
-122	62	-0.37266
-120	62	2.90617
-118	62	3.1789165
-116	62	-0.8942
-114	62	-2.28231
-112	62	2.487474
-110	62	2.19386
-108	62	-4.61986
-106	62	-1.55043
-104	62	2.615051
-102	62	-0.00659
-100	62	-9.6817
-98	62	0.97682
-96	62	2.10531
-94	62	-5.38225
-92	62	-2.7099
-90	62	2.485966
-88	62	-0.19154
-86	62	-7.9612
-84	62	1.5594
-82	62	2.300951
-80	62	-4.13656
-78	62	-0.79725
-76	62	3.19146341
-74	62	0.95398
-72	62	-3.32548
-70	62	2.479877
-68	62	3.641432
-66	62	0.09886
-64	62	-0.02032
-62	62	4.022119
-60	62	4.059874
-58	62	0.84275
-56	62	1.63693
-54	62	4.83797
-52	62	5.04541
-50	62	2.648981
-48	62	1.93585
-46	62	4.80281
-44	62	6.12098
-42	62	5.28266
-40	62	3.19541019
-38	62	3.1728754
-36	62	5.33915
-34	62	6.66632
-32	62	6.63759
-30	62	5.52219
-28	62	4.112677
-26	62	3.886548
-24	62	5.02925
-22	62	6.27177
-20	62	7.02518
-18	62	7.23944
-16	62	7.04187
-14	62	6.57549
-12	62	6.00841
-10	62	5.48914
-8	62	5.11919
-6	62	4.93139
-4	62	4.88863
-2	62	4.92756
0	62	4.99267
2	62	5.04904
4	62	5.08597
6	62	5.10901
8	62	5.13749
10	62	5.19981
12	62	5.32224
14	62	5.52532
16	62	5.80362
18	62	6.11437
20	62	6.38702
22	62	6.52628
24	62	6.44106
26	62	6.04711
28	62	5.3416
30	62	4.52737
32	62	4.126841
34	62	4.53297
36	62	5.25625
38	62	5.49079
40	62	4.75843
42	62	3.1759891
44	62	2.404712
46	62	3.671892
48	62	4.62019
50	62	3.714443
52	62	1.01009
54	62	0.9281
56	62	3.433164
58	62	3.488058
60	62	0.03393

62	62	-1.50768
64	62	2.583217
66	62	2.768078
68	62	-2.35752
70	62	-2.33853
72	62	2.546242
74	62	1.33283
76	62	-7.8467
78	62	-0.28255
80	62	2.52126
82	62	-2.11111
84	62	-6.39453
86	62	1.93861
88	62	1.23345
90	62	-9.3336
92	62	-0.13097
94	62	2.596005
96	62	-2.15021
98	62	-3.77465
100	62	2.604304
102	62	1.69485
104	62	-4.68625
106	62	1.16653
108	62	3.485075
110	62	0.34081
112	62	-1.50038
114	62	3.380645
116	62	3.796225
118	62	0.29489
120	62	1.01316
122	62	4.50285
124	62	4.48059
126	62	1.6284
128	62	1.90801
130	62	4.98258
132	62	5.65472
134	62	3.914666
136	62	2.13252
138	62	4.134869
140	62	6.13951
142	62	6.37975
144	62	5.07424
146	62	3.410287
148	62	3.823067
150	62	5.60337
152	62	6.79606
154	62	7.04369
156	62	6.49689
158	62	5.47689
160	62	4.53874
162	62	4.294
164	62	4.79746
166	62	5.57626
168	62	6.278
170	62	6.77633
172	62	7.0771
174	62	7.23357
176	62	7.29335
178	62	7.29747
180	62	7.276
-180	64	6.88546
-178	64	6.83245
-176	64	6.82494
-174	64	6.85605
-172	64	6.91224
-170	64	6.97398
-168	64	7.01184
-166	64	6.99528
-164	64	6.8895
-162	64	6.6529
-160	64	6.26967
-158	64	5.75083
-156	64	5.20137
-154	64	4.85406
-152	64	4.94064
-150	64	5.40814
-148	64	5.86047
-146	64	5.86425
-144	64	5.15879
-142	64	3.912473
-140	64	3.2740322
-138	64	4.123447
-136	64	4.98566
-134	64	4.5049
-132	64	2.478437
-130	64	1.43087
-128	64	3.367753
-126	64	4.15676
-124	64	2.12058
-122	64	-0.98444
-120	64	1.9383
-118	64	3.502693
-116	64	0.79059
-114	64	-3.54933
-112	64	1.73499
-110	64	2.720808
-108	64	-2.59129
-106	64	-3.20505
-104	64	2.409218
-102	64	0.83819
-100	64	-10.0179
-98	64	0.41194
-96	64	2.281279
-94	64	-4.37885
-92	64	-3.28219
-90	64	2.454435
-88	64	-0.08218
-86	64	-7.8329
-84	64	1.65672
-82	64	2.205462
-80	64	-4.57894
-78	64	-0.19639
-76	64	3.2426039
-74	64	0.36615
-72	64	-2.55392
-70	64	3.017738
-68	64	3.369038

-66	64	-0.70432
-64	64	1.17628
-62	64	4.42568
-60	64	3.493908
-58	64	0.30232
-56	64	2.94419
-54	64	5.30001
-52	64	4.46424
-50	64	1.82933
-48	64	3.2147303
-46	64	5.75028
-44	64	6.03199
-42	64	4.2929
-40	64	2.800969
-38	64	4.55391
-36	64	6.43572
-34	64	6.86529
-32	64	5.95826
-30	64	4.40926
-28	64	3.876669
-26	64	5.02661
-24	64	6.38276
-22	64	7.15475
-20	64	7.28547
-18	64	6.91958
-16	64	6.26127
-14	64	5.55269
-12	64	5.03398
-10	64	4.83628
-8	64	4.91831
-6	64	5.14959
-4	64	5.41131
-2	64	5.63332
0	64	5.78557
2	64	5.86048
4	64	5.86225
6	64	5.79988
8	64	5.68746
10	64	5.54693
12	64	5.40646
14	64	5.31838
16	64	5.33699
18	64	5.49482
20	64	5.78057
22	64	6.11628
24	64	6.37667
26	64	6.4214
28	64	6.11914
30	64	5.42734
32	64	4.54511
34	64	4.102332
36	64	4.57392
38	64	5.31063
40	64	5.36874
42	64	4.3007
44	64	2.635988
46	64	2.742035
48	64	4.24149
50	64	4.42037
52	64	2.378897
54	64	0.22474
56	64	2.548075
58	64	3.830568
60	64	1.61852
62	64	-2.28441
64	64	1.65664
66	64	3.1632723
68	64	-0.51736
70	64	-4.10034
72	64	2.05934
74	64	2.01993
76	64	-5.90633
78	64	-1.3793
80	64	2.548543
82	64	-1.13759
84	64	-7.8726
86	64	1.72635
88	64	1.44787
90	64	-8.8127
92	64	-0.2252
94	64	2.598347
96	64	-2.32317
98	64	-3.29281
100	64	2.731222
102	64	1.38531
104	64	-4.64488
106	64	1.76315
108	64	3.390921
110	64	-0.46048
112	64	-0.41254
114	64	3.844069
116	64	3.354936
118	64	-0.35717
120	64	2.262647
122	64	4.8949
124	64	3.861855
126	64	1.02639
128	64	3.2630282
130	64	5.62431
132	64	5.23685
134	64	2.878432
136	64	2.882123
138	64	5.46432
140	64	6.56799
142	64	5.82184
144	64	3.965772
146	64	3.49979
148	64	5.24248
150	64	6.72169
152	64	7.14338
154	64	6.61489
156	64	5.49594
158	64	4.49356
160	64	4.40634
162	64	5.16185
164	64	6.08458
166	64	6.78202

168	64	7.19062
170	64	7.35594
172	64	7.34898
174	64	7.24814
176	64	7.11186
178	64	6.98236
180	64	6.88546
-180	66	6.11508
-178	66	6.07524
-176	66	6.0964
-174	66	6.16931
-172	66	6.28556
-170	66	6.43499
-168	66	6.59833
-166	66	6.75327
-164	66	6.86249
-162	66	6.88349
-160	66	6.76522
-158	66	6.4707
-156	66	5.97539
-154	66	5.36604
-152	66	4.89407
-150	66	4.89756
-148	66	5.37927
-146	66	5.84754
-144	66	5.76226
-142	66	4.85982
-140	66	3.551558
-138	66	3.42084
-136	66	4.55314
-134	66	4.95738
-132	66	3.640783
-130	66	1.4627
-128	66	2.419223
-126	66	4.122602
-124	66	3.2346094
-122	66	-0.34504
-120	66	0.74996
-118	66	3.431212
-116	66	2.01417
-114	66	-3.47606
-112	66	0.72833
-110	66	2.958918
-108	66	-0.94993
-106	66	-4.93062
-104	66	2.06296
-102	66	1.46811
-100	66	-8.8611
-98	66	-0.22601
-96	66	2.401967
-94	66	-3.51792
-92	66	-3.89148
-90	66	2.41708
-88	66	0.03129
-86	66	-7.7781
-84	66	1.73454
-82	66	2.11648
-80	66	-4.93304
-78	66	0.29113
-76	66	3.2477076
-74	66	-0.21247
-72	66	-1.7078
-70	66	3.394577
-68	66	3.005857
-66	66	-1.16684
-64	66	2.17818
-62	66	4.59663
-60	66	2.804194
-58	66	0.47395
-56	66	3.980947
-54	66	5.41963
-52	66	3.683698
-50	66	1.78846
-48	66	4.46961
-46	66	6.21976
-44	66	5.5386
-42	66	3.359257
-40	66	3.507597
-38	66	5.82391
-36	66	6.95434
-34	66	6.51349
-32	66	4.98135
-30	66	3.889403
-28	66	4.77966
-26	66	6.29214
-24	66	7.20401
-22	66	7.3604
-20	66	6.90779
-18	66	6.11317
-16	66	5.32075
-14	66	4.88014
-12	66	4.91957
-10	66	5.28244
-8	66	5.72987
-6	66	6.13118
-4	66	6.43619
-2	66	6.64077
0	66	6.7574
2	66	6.79826
4	66	6.77686
6	66	6.69902
8	66	6.56706
10	66	6.38341
12	66	6.14187
14	66	5.87415
16	66	5.6154
18	66	5.43662
20	66	5.41432
22	66	5.5932
24	66	5.92014
26	66	6.2465
28	66	6.37255
30	66	6.11103
32	66	5.38325
34	66	4.44313
36	66	4.09504
38	66	4.73906

40	66	5.40539
42	66	5.0996
44	66	3.579384
46	66	2.318118
48	66	3.493709
50	66	4.57524
52	66	3.530805
54	66	0.65055
56	66	1.45799
58	66	3.722972
60	66	2.749459
62	66	-1.69745
64	66	0.47248
66	66	3.2178498
68	66	0.87595
70	66	-5.14669
72	66	1.37098
74	66	2.460078
76	66	-3.9841
78	66	-2.63568
80	66	2.484582
82	66	-0.35207
84	66	-9.3267
86	66	1.48841
88	66	1.63713
90	66	-8.3016
92	66	-0.33348
94	66	2.60411
96	66	-2.46897
98	66	-2.90111
100	66	2.827319
102	66	1.07843
104	66	-4.36196
106	66	2.224281
108	66	3.2303106
110	66	-1.15424
112	66	0.57609
114	66	4.114717
116	66	2.803154
118	66	-0.4367
120	66	3.2631704
122	66	5.00416
124	66	3.098766
126	66	1.22339
128	66	4.3893
130	66	5.85704
132	66	4.52838
134	66	2.366068
136	66	4.148243
138	66	6.30842
140	66	6.48238
142	66	4.92927
144	66	3.411123
146	66	4.59199
148	66	6.43778
150	66	7.222
152	66	6.87632
154	66	5.74357
156	66	4.59368
158	66	4.46971
160	66	5.34442
162	66	6.36146
164	66	7.05853
166	66	7.38085
168	66	7.40149
170	66	7.2285
172	66	6.95151
174	66	6.65947
176	66	6.40699
178	66	6.22307
180	66	6.11508
-180	68	5.56141
-178	68	5.57678
-176	68	5.62172
-174	68	5.68782
-172	68	5.78055
-170	68	5.90766
-168	68	6.07099
-166	68	6.26917
-164	68	6.48011
-162	68	6.67119
-160	68	6.78791
-158	68	6.76881
-156	68	6.54911
-154	68	6.07862
-152	68	5.42537
-150	68	4.88694
-148	68	4.90474
-146	68	5.45127
-144	68	5.87556
-142	68	5.56381
-140	68	4.36363
-138	68	3.2475366
-136	68	3.884769
-134	68	4.92805
-132	68	4.48322
-130	68	2.289773
-128	68	1.60058
-126	68	3.70489
-124	68	3.896139
-122	68	0.89786
-120	68	-0.3383
-118	68	3.047011
-116	68	2.819196
-114	68	-2.29984
-112	68	-0.45548
-110	68	2.967106
-108	68	0.29307
-106	68	-6.31308
-104	68	1.59494
-102	68	1.92918
-100	68	-7.1721
-98	68	-0.93474
-96	68	2.474808
-94	68	-2.77446
-92	68	-4.54408
-90	68	2.372956

-88	68	0.14902
-86	68	-7.7971
-84	68	1.79351
-82	68	2.037
-80	68	-5.2064
-78	68	0.68328
-76	68	3.2201412
-74	68	-0.75597
-72	68	-0.923
-70	68	3.647292
-68	68	2.589186
-66	68	-1.21881
-64	68	2.957794
-62	68	4.59416
-60	68	2.09494
-58	68	1.15905
-56	68	4.71709
-54	68	5.2857
-52	68	2.893548
-50	68	2.464722
-48	68	5.41551
-46	68	6.30919
-44	68	4.80977
-42	68	2.987683
-40	68	4.67646
-38	68	6.66658
-36	68	6.99383
-34	68	5.81228
-32	68	4.190377
-30	68	4.36113
-28	68	5.96305
-26	68	7.1467
-24	68	7.46557
-22	68	7.04148
-20	68	6.17043
-18	68	5.28911
-16	68	4.88568
-14	68	5.10059
-12	68	5.64705
-10	68	6.22424
-8	68	6.67221
-6	68	6.97896
-4	68	7.16562
-2	68	7.26216
0	68	7.30097
2	68	7.29819
4	68	7.26945
6	68	7.21447
8	68	7.13029
10	68	7.00759
12	68	6.82236
14	68	6.58289
16	68	6.2762
18	68	5.94254
20	68	5.63244
22	68	5.45743
24	68	5.51833
26	68	5.81314
28	68	6.17583
30	68	6.33517
32	68	6.0417
34	68	5.20966
36	68	4.24926
38	68	4.186468
40	68	5.02442
42	68	5.42361
44	68	4.53339
46	68	2.713346
48	68	2.716122
50	68	4.29815
52	68	4.24789
54	68	1.7371
56	68	0.54811
58	68	3.2681886
60	68	3.441326
62	68	-0.38235
64	68	-0.78097
66	68	3.000319
68	68	1.86545
70	68	-4.85714
72	68	0.50896
74	68	2.705329
76	68	-2.40596
78	68	-4.02884
80	68	2.342617
82	68	0.28486
84	68	-10.5252
86	68	1.22568
88	68	1.80377
90	68	-7.8017
92	68	-0.45879
94	68	2.612861
96	68	-2.58655
98	68	-2.59169
100	68	2.89877
102	68	0.78371
104	68	-3.95505
106	68	2.577147
108	68	3.02572
110	68	-1.66718
112	68	1.39817
114	68	4.23862
116	68	2.202733
118	68	-0.01212
120	68	4.000275
122	68	4.90466
124	68	2.344878
126	68	1.99441
128	68	5.18784
130	68	5.77513
132	68	3.71967
134	68	2.668476
136	68	5.29138
138	68	6.71008
140	68	6.02692
142	68	4.051101
144	68	3.815786

146	68	5.81208
148	68	7.14955
150	68	7.19996
152	68	6.20978
154	68	4.87406
156	68	4.45661
158	68	5.31468
160	68	6.43733
162	68	7.1888
164	68	7.47423
166	68	7.39543
168	68	7.07289
170	68	6.6497
172	68	6.23286
174	68	5.90548
176	68	5.69539
178	68	5.58955
180	68	5.56141
-180	70	5.60895
-178	70	5.68004
-176	70	5.72689
-174	70	5.75247
-172	70	5.76695
-170	70	5.79011
-168	70	5.84042
-166	70	5.93976
-164	70	6.09374
-162	70	6.29589
-160	70	6.51498
-158	70	6.69053
-156	70	6.73982
-154	70	6.56308
-152	70	6.08613
-150	70	5.3736
-148	70	4.8306
-146	70	4.98664
-144	70	5.61855
-142	70	5.87333
-140	70	5.16824
-138	70	3.714405
-136	70	3.340053
-134	70	4.55357
-132	70	4.91971
-130	70	3.30523
-128	70	1.33398
-126	70	3.041603
-124	70	4.170586
-122	70	2.0913
-120	70	-0.88563
-118	70	2.429475
-116	70	3.288625
-114	70	-0.87
-112	70	-1.68486
-110	70	2.790577
-108	70	1.21337
-106	70	-6.75184
-104	70	1.02218
-102	70	2.25553
-100	70	-5.56569
-98	70	-1.71203
-96	70	2.506084
-94	70	-2.12808
-92	70	-5.24751
-90	70	2.320999
-88	70	0.27122
-86	70	-7.8913
-84	70	1.83404
-82	70	1.96992
-80	70	-5.41421
-78	70	0.99449
-76	70	3.1717772
-74	70	-1.24276
-72	70	-0.24939
-70	70	3.806239
-68	70	2.15302
-66	70	-0.93888
-64	70	3.540269
-62	70	4.46935
-60	70	1.47776
-58	70	2.01109
-56	70	5.19475
-54	70	4.9791
-52	70	2.30763
-50	70	3.410482
-48	70	6.03657
-46	70	6.12067
-44	70	4.050345
-42	70	3.354954
-40	70	5.73891
-38	70	7.11086
-36	70	6.68863
-34	70	5.00978
-32	70	4.052801
-30	70	5.35176
-28	70	6.89461
-26	70	7.5436
-24	70	7.29742
-22	70	6.43337
-20	70	5.43627
-18	70	4.94385
-16	70	5.20604
-14	70	5.86868
-12	70	6.51555
-10	70	6.98853
-8	70	7.26545
-6	70	7.3952
-4	70	7.42779
-2	70	7.41061
0	70	7.37449
2	70	7.33674
4	70	7.30832
6	70	7.2886
8	70	7.26674
10	70	7.22862
12	70	7.15127
14	70	7.0228
16	70	6.81843

18	70	6.53503
20	70	6.18338
22	70	5.80299
24	70	5.52242
26	70	5.49968
28	70	5.78545
30	70	6.17767
32	70	6.31274
34	70	5.88527
36	70	4.88604
38	70	4.060225
40	70	4.48092
42	70	5.33562
44	70	5.16728
46	70	3.561964
48	70	2.320396
50	70	3.74117
52	70	4.55709
54	70	2.838446
56	70	0.25967
58	70	2.575807
60	70	3.773307
62	70	0.93395
64	70	-1.76815
66	70	2.568518
68	70	2.533513
70	70	-3.63748
72	70	-0.49047
74	70	2.794901
76	70	-1.16271
78	70	-5.49412
80	70	2.13401
82	70	0.80235
84	70	-11.1355
86	70	0.93874
88	70	1.94987
90	70	-7.3112
92	70	-0.60429
94	70	2.624072
96	70	-2.67434
98	70	-2.35842
100	70	2.950889
102	70	0.51034
104	70	-3.51908
106	70	2.843881
108	70	2.797557
110	70	-1.96384
112	70	2.05236
114	70	4.25669
116	70	1.61881
118	70	0.66674
120	70	4.51348
122	70	4.66152
124	70	1.7626
126	70	2.926079
128	70	5.69496
130	70	5.47546
132	70	3.047057
134	70	3.49926
136	70	6.11538
138	70	6.76556
140	70	5.3612
142	70	3.608529
144	70	4.77882
146	70	6.72836
148	70	7.42244
150	70	6.8181
152	70	5.4247
154	70	4.49616
156	70	5.08914
158	70	6.31404
160	70	7.20359
162	70	7.54303
164	70	7.42768
166	70	7.01445
168	70	6.47477
170	70	5.97782
172	70	5.63459
174	70	5.47723
176	70	5.46072
178	70	5.52373
180	70	5.60895
-180	72	6.08297
-178	72	6.17138
-176	72	6.20555
-174	72	6.19332
-172	72	6.14789
-170	72	6.08107
-168	72	6.01448
-166	72	5.97229
-164	72	5.98082
-162	72	6.05567
-160	72	6.20917
-158	72	6.42279
-156	72	6.63239
-154	72	6.72035
-152	72	6.5399
-150	72	5.99235
-148	72	5.21002
-146	72	4.77929
-144	72	5.19859
-142	72	5.82861
-140	72	5.69891
-138	72	4.46721
-136	72	3.2317432
-134	72	4.013133
-132	72	5.0043
-130	72	4.141788
-128	72	1.72179
-126	72	2.310485
-124	72	4.14249
-122	72	3.011195
-120	72	-0.66759
-118	72	1.66747
-116	72	3.495832
-114	72	0.38488
-112	72	-2.72902

-110	72	2.467636
-108	72	1.88229
-106	72	-6.11624
-104	72	0.3618
-102	72	2.473181
-100	72	-4.19755
-98	72	-2.555
-96	72	2.501095
-94	72	-1.56254
-92	72	-6.01024
-90	72	2.260055
-88	72	0.39822
-86	72	-8.0615
-84	72	1.85612
-82	72	1.91788
-80	72	-5.5753
-78	72	1.23627
-76	72	3.1130617
-74	72	-1.65786
-72	72	0.30365
-70	72	3.896683
-68	72	1.72837
-66	72	-0.48456
-64	72	3.961089
-62	72	4.26762
-60	72	1.04749
-58	72	2.811816
-56	72	5.47437
-54	72	4.57456
-52	72	2.07843
-50	72	4.30568
-48	72	6.38821
-46	72	5.75751
-44	72	3.491058
-42	72	4.146557
-40	72	6.51898
-38	72	7.23774
-36	72	6.17692
-34	72	4.40926
-32	72	4.55917
-30	72	6.30382
-28	72	7.4582
-26	72	7.581
-24	72	6.87216
-22	72	5.78558
-20	72	5.0581
-18	72	5.20121
-16	72	5.9078
-14	72	6.62803
-12	72	7.13395
-10	72	7.39758
-8	72	7.47208
-6	72	7.42775
-4	72	7.32937
-2	72	7.22149
0	72	7.13289
2	72	7.07693
4	72	7.05758
6	72	7.06957
8	72	7.10224
10	72	7.13795
12	72	7.15785
14	72	7.14206
16	72	7.07331
18	72	6.92144
20	72	6.67523
22	72	6.32528
24	72	5.90301
26	72	5.55319
28	72	5.50544
30	72	5.83597
32	72	6.24755
34	72	6.26821
36	72	5.58587
38	72	4.4398
40	72	4.086343
42	72	4.97638
44	72	5.44492
46	72	4.40393
48	72	2.517523
50	72	3.095562
52	72	4.53919
54	72	3.687873
56	72	0.68279
58	72	1.78573
60	72	3.8252
62	72	1.99311
64	72	-2.12345
66	72	1.97547
68	72	2.951542
70	72	-2.2306
72	72	-1.57205
74	72	2.759753
76	72	-0.19119
78	72	-6.8793
80	72	1.86877
82	72	1.22237
84	72	-10.9652
86	72	0.62789
88	72	2.07716
90	72	-6.8271
92	72	-0.77335
94	72	2.637167
96	72	-2.72998
98	72	-2.19675
100	72	2.988099
102	72	0.26655
104	72	-3.11399
106	72	3.042508
108	72	2.56428
110	72	-2.05938
112	72	2.559818
114	72	4.20306
116	72	1.10511
118	72	1.38332
120	72	4.85043
122	72	4.33431

124	72	1.47495
126	72	3.772192
128	72	5.97417
130	72	5.05046
132	72	2.709006
134	72	4.42943
136	72	6.63745
138	72	6.57702
140	72	4.67505
142	72	3.784427
144	72	5.76582
146	72	7.30501
148	72	7.374
150	72	6.24027
152	72	4.83156
154	72	4.76249
156	72	5.96375
158	72	7.07298
160	72	7.58427
162	72	7.53492
164	72	7.09561
166	72	6.47642
168	72	5.9117
170	72	5.56761
172	72	5.48008
174	72	5.57857
176	72	5.75754
178	72	5.93953
180	72	6.08297
-180	74	6.61542
-178	74	6.68917
-176	74	6.70769
-174	74	6.67931
-172	74	6.61405
-170	74	6.51082
-168	74	6.39526
-166	74	6.26912
-164	74	6.16177
-162	74	6.09201
-160	74	6.08831
-158	74	6.18684
-156	74	6.39228
-154	74	6.62965
-152	74	6.72602
-150	74	6.47198
-148	74	5.77928
-146	74	4.96424
-144	74	4.85746
-142	74	5.55438
-140	74	5.93127
-138	74	5.16945
-136	74	3.592169
-134	74	3.518815
-132	74	4.8276
-130	74	4.70399
-128	74	2.472199
-126	74	1.72952
-124	74	3.895414
-122	74	3.643901
-120	74	0.07804
-118	74	0.87055
-116	74	3.502449
-114	74	1.37474
-112	74	-3.30506
-110	74	2.0332
-108	74	2.356072
-106	74	-4.92929
-104	74	-0.3672
-102	74	2.602897
-100	74	-3.06507
-98	74	-3.45891
-96	74	2.464415
-94	74	-1.06491
-92	74	-6.8414
-90	74	2.18897
-88	74	0.5304
-86	74	-8.3077
-84	74	1.8594
-82	74	1.88328
-80	74	-5.70847
-78	74	1.41745
-76	74	3.053042
-74	74	-1.99497
-72	74	0.74242
-70	74	3.939761
-68	74	1.34168
-66	74	0.01092
-64	74	4.2571
-62	74	4.028611
-60	74	0.83919
-58	74	3.478928
-56	74	5.61011
-54	74	4.141682
-52	74	2.205647
-50	74	5.03277
-48	74	6.54279
-46	74	5.31255
-44	74	3.286572
-42	74	4.98981
-40	74	7.03454
-38	74	7.14491
-36	74	5.61048
-34	74	4.21076
-32	74	5.33069
-30	74	7.02744
-28	74	7.73121
-26	74	7.39064
-24	74	6.36138
-22	74	5.33846
-20	74	5.14253
-18	74	5.77192
-16	74	6.57648
-14	74	7.16007
-12	74	7.45583
-10	74	7.50305
-8	74	7.40441
-6	74	7.22572

-4	74	7.03843
-2	74	6.88155
0	74	6.77564
2	74	6.72108
4	74	6.7177
6	74	6.75559
8	74	6.8237
10	74	6.9044
12	74	6.98797
14	74	7.05049
16	74	7.08115
18	74	7.0602
20	74	6.95797
22	74	6.74258
24	74	6.38447
26	74	5.91687
28	74	5.53305
30	74	5.54697
32	74	5.98005
34	74	6.34696
36	74	6.09916
38	74	5.06792
40	74	4.061874
42	74	4.52546
44	74	5.42919
46	74	5.03188
48	74	3.132804
50	74	2.585204
52	74	4.28691
54	74	4.24738
56	74	1.49289
58	74	1.07188
60	74	3.667056
62	74	2.771028
64	74	-1.77244
66	74	1.27969
68	74	3.1763958
70	74	-0.98082
72	74	-2.64686
74	74	2.625741
76	74	0.56682
78	74	-7.9107
80	74	1.5561
82	74	1.56192
84	74	-10.1789
86	74	0.29326
88	74	2.1871
90	74	-6.346
92	74	-0.96957
94	74	2.651456
96	74	-2.75004
98	74	-2.1038
100	74	3.013951
102	74	0.05984
104	74	-2.77257
106	74	3.187577
108	74	2.342257
110	74	-2.0085
112	74	2.945459
114	74	4.106956
116	74	0.7025
118	74	2.02522
120	74	5.05711
122	74	3.977309
124	74	1.49151
126	74	4.45148
128	74	6.08767
130	74	4.58687
132	74	2.761997
134	74	5.23406
136	74	6.92478
138	74	6.24138
140	74	4.158257
142	74	4.37213
144	74	6.55657
146	74	7.58672
148	74	7.11685
150	74	5.65465
152	74	4.64976
154	74	5.39636
156	74	6.71873
158	74	7.53081
160	74	7.67963
162	74	7.30867
164	74	6.65931
166	74	6.01526
168	74	5.62284
170	74	5.55906
172	74	5.73856
174	74	6.00613
176	74	6.26679
178	74	6.47397
180	74	6.61542
-180	76	7.01396
-178	76	7.06448
-176	76	7.06892
-174	76	7.03738
-172	76	6.97572
-170	76	6.87745
-168	76	6.7598
-166	76	6.62407
-164	76	6.47757
-162	76	6.33169
-160	76	6.20282
-158	76	6.13393
-156	76	6.19808
-154	76	6.42313
-152	76	6.68711
-150	76	6.72806
-148	76	6.29768
-146	76	5.41751
-144	76	4.77676
-142	76	5.20073
-140	76	5.91849
-138	76	5.67704
-136	76	4.199429
-134	76	3.2635657

-132	76	4.49317
-130	76	5.01186
-128	76	3.2678347
-126	76	1.47285
-124	76	3.509784
-122	76	4.034019
-120	76	0.98026
-118	76	0.17432
-116	76	3.360992
-114	76	2.12008
-112	76	-3.27132
-110	76	1.52146
-108	76	2.678228
-106	76	-3.67551
-104	76	-1.14182
-102	76	2.661677
-100	76	-2.13208
-98	76	-4.41496
-96	76	2.400092
-94	76	-0.62482
-92	76	-7.7498
-90	76	2.10643
-88	76	0.66794
-86	76	-8.6284
-84	76	1.84307
-82	76	1.86822
-80	76	-5.82824
-78	76	1.54473
-76	76	2.999619
-74	76	-2.2555
-72	76	1.07814
-70	76	3.953067
-68	76	1.01277
-66	76	0.46719
-64	76	4.45978
-62	76	3.78372
-60	76	0.82526
-58	76	4.00137
-56	76	5.65072
-54	76	3.743896
-52	76	2.550139
-50	76	5.58026
-48	76	6.5643
-46	76	4.87192
-44	76	3.420334
-42	76	5.71441
-40	76	7.335
-38	76	6.93168
-36	76	5.1143
-34	76	4.4069
-32	76	6.06934
-30	76	7.50396
-28	76	7.79229
-26	76	7.08904
-24	76	5.91958
-22	76	5.20063
-20	76	5.51707
-18	76	6.34767
-16	76	7.06424
-14	76	7.45633
-12	76	7.54466
-10	76	7.42264
-8	76	7.19678
-6	76	6.94234
-4	76	6.72371
-2	76	6.56714
0	76	6.47595
2	76	6.44292
4	76	6.45684
6	76	6.50895
8	76	6.59056
10	76	6.6876
12	76	6.7924
14	76	6.88961
16	76	6.96874
18	76	7.02293
20	76	7.03831
22	76	6.97584
24	76	6.76945
26	76	6.36781
28	76	5.83398
30	76	5.48335
32	76	5.68292
34	76	6.21421
36	76	6.37536
38	76	5.67852
40	76	4.40189
42	76	4.169601
44	76	5.21217
46	76	5.40983
48	76	3.858452
50	76	2.38803
52	76	3.896816
54	76	4.55898
56	76	2.352467
58	76	0.6114
60	76	3.363003
62	76	3.307013
64	76	-0.99807
66	76	0.54928
68	76	3.2536917
70	76	0.03872
72	76	-3.58391
74	76	2.41536
76	76	1.15705
78	76	-8.2943
80	76	1.20482
82	76	1.8346
84	76	-9.1072
86	76	-0.06519
88	76	2.280857
90	76	-5.86497
92	76	-1.19695
94	76	2.666194
96	76	-2.73046
98	76	-2.07837
100	76	3.031258

102	76	-0.10278
104	76	-2.51055
106	76	3.2906781
108	76	2.14567
110	76	-1.87853
112	76	3.2320975
114	76	3.993222
116	76	0.42658
118	76	2.55079
120	76	5.17261
122	76	3.636192
124	76	1.71918
126	76	4.96707
128	76	6.08841
130	76	4.161599
132	76	3.09385
134	76	5.85323
136	76	7.04195
138	76	5.85477
140	76	3.913731
142	76	5.07998
144	76	7.11667
146	76	7.67627
148	76	6.7652
150	76	5.20822
152	76	4.85204
154	76	6.07053
156	76	7.26121
158	76	7.75909
160	76	7.59629
162	76	6.99853
164	76	6.28337
166	76	5.7729
168	76	5.64601
170	76	5.83291
172	76	6.15828
174	76	6.4738
176	76	6.72746
178	76	6.90583
180	76	7.01396
-180	78	7.24984
-178	78	7.2768
-176	78	7.27441
-174	78	7.24797
-172	78	7.19649
-170	78	7.12
-168	78	7.02075
-166	78	6.9071
-164	78	6.78071
-162	78	6.63246
-160	78	6.45843
-158	78	6.27344
-156	78	6.15881
-154	78	6.24058
-152	78	6.53128
-150	78	6.79288
-148	78	6.66363
-146	78	5.93661
-144	78	4.97773
-142	78	4.91457
-140	78	5.74346
-138	78	5.97418
-136	78	4.82657
-134	78	3.319589
-132	78	4.105583
-130	78	5.11949
-128	78	3.948391
-126	78	1.58222
-124	78	3.06559
-122	78	4.23559
-120	78	1.81892
-118	78	-0.29361
-116	78	3.1176946
-114	78	2.66464
-112	78	-2.7596
-110	78	0.96777
-108	78	2.883329
-106	78	-2.55544
-104	78	-1.93312
-102	78	2.664069
-100	78	-1.36178
-98	78	-5.40711
-96	78	2.311786
-94	78	-0.23387
-92	78	-8.7414
-90	78	2.01115
-88	78	0.81094
-86	78	-9.0175
-84	78	1.80584
-82	78	1.87418
-80	78	-5.94349
-78	78	1.6226
-76	78	2.959145
-74	78	-2.44547
-72	78	1.32184
-70	78	3.951019
-68	78	0.75401
-66	78	0.84618
-64	78	4.59492
-62	78	3.562885
-60	78	0.93364
-58	78	4.39428
-56	78	5.63656
-54	78	3.423885
-52	78	2.971965
-50	78	5.96971
-48	78	6.51225
-46	78	4.5078
-44	78	3.751194
-42	78	6.27015
-40	78	7.48801
-38	78	6.66659
-36	78	4.78642
-34	78	4.8083
-32	78	6.66694
-30	78	7.79693
-28	78	7.73678

-26	78	6.78134
-24	78	5.63863
-22	78	5.31546
-20	78	5.96036
-18	78	6.80453
-16	78	7.37157
-14	78	7.57674
-12	78	7.50434
-10	78	7.26779
-8	78	6.97358
-6	78	6.70405
-4	78	6.50257
-2	78	6.38016
0	78	6.32711
2	78	6.32115
4	78	6.35166
6	78	6.40861
8	78	6.48597
10	78	6.5782
12	78	6.67639
14	78	6.77057
16	78	6.85345
18	78	6.92526
20	78	6.99243
22	78	7.0373
24	78	6.99295
26	78	6.75154
28	78	6.25262
30	78	5.66875
32	78	5.50134
34	78	5.97572
36	78	6.44428
38	78	6.1411
40	78	4.92037
42	78	4.04225
44	78	4.89718
46	78	5.57803
48	78	4.50909
50	78	2.539201
52	78	3.466024
54	78	4.67905
56	78	3.097895
58	78	0.50355
60	78	2.973757
62	78	3.65168
64	78	-0.11657
66	78	-0.13771
68	78	3.2215442
70	78	0.84413
72	78	-4.2329
74	78	2.14932
76	78	1.61487
78	78	-7.9791
80	78	0.82364
82	78	2.0514
84	78	-7.9888
86	78	-0.44748
88	78	2.359469
90	78	-5.38192
92	78	-1.45991
94	78	2.680404
96	78	-2.66687
98	78	-2.12095
100	78	3.04188
102	78	-0.215
104	78	-2.33498
106	78	3.360938
108	78	1.9866
110	78	-1.72766
112	78	3.438875
114	78	3.88264
116	78	0.26698
118	78	2.960136
120	78	5.22699
122	78	3.345668
124	78	2.04061
126	78	5.34366
128	78	6.03048
130	78	3.822021
132	78	3.536626
134	78	6.30664
136	78	7.05134
138	78	5.49071
140	78	3.942032
142	78	5.71006
144	78	7.49021
146	78	7.64181
148	78	6.41735
150	78	4.98015
152	78	5.24745
154	78	6.63376
156	78	7.60781
158	78	7.82715
160	78	7.43555
162	78	6.72133
164	78	6.0597
166	78	5.75901
168	78	5.86456
170	78	6.19168
172	78	6.55023
174	78	6.84373
176	78	7.04867
178	78	7.17778
180	78	7.24984
-180	80	7.3622
-178	80	7.37309
-176	80	7.36792
-174	80	7.34997
-172	80	7.31256
-170	80	7.25736
-168	80	7.18047
-166	80	7.09202
-164	80	6.99795
-162	80	6.89129
-160	80	6.7429
-158	80	6.52751
-156	80	6.2835

-154	80	6.17043
-152	80	6.35544
-150	80	6.7243
-148	80	6.8618
-146	80	6.38624
-144	80	5.35623
-142	80	4.79058
-140	80	5.49698
-138	80	6.10219
-136	80	5.35919
-134	80	3.623814
-132	80	3.761054
-130	80	5.08676
-128	80	4.47314
-126	80	1.95542
-124	80	2.638674
-122	80	4.29899
-120	80	2.516681
-118	80	-0.46517
-116	80	2.814753
-114	80	3.051709
-112	80	-2.02565
-110	80	0.40875
-108	80	2.999324
-106	80	-1.61304
-104	80	-2.70515
-102	80	2.622548
-100	80	-0.72362
-98	80	-6.40716
-96	80	2.202866
-94	80	0.11478
-92	80	-9.8139
-90	80	1.90181
-88	80	0.95942
-86	80	-9.4606
-84	80	1.74599
-82	80	1.90222
-80	80	-6.05512
-78	80	1.65373
-76	80	2.93673
-74	80	-2.57218
-72	80	1.48244
-70	80	3.944942
-68	80	0.5712
-66	80	1.13374
-64	80	4.68284
-62	80	3.386937
-60	80	1.09523
-58	80	4.67544
-56	80	5.60048
-54	80	3.20226314
-52	80	3.37174
-50	80	6.24142
-48	80	6.42768
-46	80	4.25436
-44	80	4.141757
-42	80	6.67342
-40	80	7.55166
-38	80	6.42562
-36	80	4.63581
-34	80	5.24993
-32	80	7.09667
-30	80	7.95878
-28	80	7.63618
-26	80	6.53723
-24	80	5.53196
-22	80	5.55472
-20	80	6.34858
-18	80	7.11946
-16	80	7.53529
-14	80	7.60148
-12	80	7.4216
-10	80	7.12344
-8	80	6.81599
-6	80	6.57205
-4	80	6.41746
-2	80	6.34485
0	80	6.33116
2	80	6.3486
4	80	6.38708
6	80	6.44103
8	80	6.50738
10	80	6.58649
12	80	6.66911
14	80	6.74488
16	80	6.80404
18	80	6.85241
20	80	6.91356
22	80	7.00446
24	80	7.07967
26	80	7.00983
28	80	6.64697
30	80	6.004
32	80	5.50457
34	80	5.73774
36	80	6.37115
38	80	6.44066
40	80	5.45415
42	80	4.162857
44	80	4.58034
46	80	5.59253
48	80	5.02012
50	80	2.928491
52	80	3.082976
54	80	4.66368
56	80	3.686624
58	80	0.71515
60	80	2.55799
62	80	3.851897
64	80	0.69994
66	80	-0.70278
68	80	3.1124851
70	80	1.471
72	80	-4.49399
74	80	1.84672
76	80	1.96769
78	80	-7.2103

80	80	0.42142
82	80	2.221474
84	80	-6.9346
86	80	-0.85356
88	80	2.423793
90	80	-4.89583
92	80	-1.76329
94	80	2.692988
96	80	-2.55498
98	80	-2.23379
100	80	3.046846
102	80	-0.27107
104	80	-2.24878
106	80	3.404954
108	80	1.87461
110	80	-1.59696
112	80	3.580784
114	80	3.791825
116	80	0.19706
118	80	3.2622427
120	80	5.24829
122	80	3.1238025
124	80	2.365265
126	80	5.61054
128	80	5.95372
130	80	3.597436
132	80	3.960991
134	80	6.62505
136	80	7.01346
138	80	5.20306
140	80	4.133128
142	80	6.21541
144	80	7.72141
146	80	7.55673
148	80	6.13506
150	80	4.95255
152	80	5.66754
154	80	7.04917
156	80	7.81689
158	80	7.82346
160	80	7.28079
162	80	6.5399
164	80	5.99903
166	80	5.89588
168	80	6.14213
170	80	6.5125
172	80	6.8446
174	80	7.08667
176	80	7.23656
178	80	7.32089
180	80	7.3622
-180	82	7.40318
-178	82	7.40691
-176	82	7.40352
-174	82	7.39666
-172	82	7.3719
-170	82	7.33005
-168	82	7.27094
-166	82	7.20285
-164	82	7.13771
-162	82	7.07605
-160	82	6.98321
-158	82	6.80045
-156	82	6.59099
-154	82	6.23221
-152	82	6.23539
-150	82	6.59819
-148	82	6.93675
-146	82	6.72824
-144	82	5.78628
-142	82	4.84831
-140	82	5.25506
-138	82	6.11254
-136	82	5.76745
-134	82	4.051925
-132	82	3.526016
-130	82	4.96932
-128	82	4.85376
-126	82	2.446542
-124	82	2.292245
-122	82	4.27024
-120	82	3.067198
-118	82	-0.36542
-116	82	2.490156
-114	82	3.318916
-112	82	-1.26313
-110	82	-0.11892
-108	82	3.049518
-106	82	-0.8383
-104	82	-3.41578
-102	82	2.548484
-100	82	-0.19289
-98	82	-7.3692
-96	82	2.07658
-94	82	0.42684
-92	82	-10.9447
-90	82	1.77702
-88	82	1.11283
-86	82	-9.9283
-84	82	1.66122
-82	82	1.95266
-80	82	-6.15422
-78	82	1.63892
-76	82	2.935733
-74	82	-2.64021
-72	82	1.5663
-70	82	3.943107
-68	82	0.46591
-66	82	1.32702
-64	82	4.73891
-62	82	3.2699892
-60	82	1.25657
-58	82	4.86754
-56	82	5.56331
-54	82	3.077254
-52	82	3.699233
-50	82	6.42675

-48	82	6.35325
-46	82	4.113151
-44	82	4.49014
-42	82	6.95688
-40	82	7.57661
-38	82	6.24314
-36	82	4.6289
-34	82	5.63218
-32	82	7.39398
-30	82	8.04926
-28	82	7.54796
-26	82	6.39266
-24	82	5.55722
-22	82	5.80789
-20	82	6.63753
-18	82	7.31693
-16	82	7.61929
-14	82	7.59039
-12	82	7.35163
-10	82	7.03664
-8	82	6.75324
-6	82	6.55695
-4	82	6.45322
-2	82	6.42484
0	82	6.43874
2	82	6.4701
4	82	6.50843
6	82	6.55506
8	82	6.6075
10	82	6.67234
12	82	6.74427
14	82	6.80654
16	82	6.84142
18	82	6.84913
20	82	6.86326
22	82	6.93718
24	82	7.07254
26	82	7.14821
28	82	6.95703
30	82	6.37892
32	82	5.6711
34	82	5.57694
36	82	6.22673
38	82	6.60403
40	82	5.91503
42	82	4.45556
44	82	4.33584
46	82	5.50978
48	82	5.39123
50	82	3.413465
52	82	2.811535
54	82	4.56354
56	82	4.127905
58	82	1.11983
60	82	2.16711
62	82	3.948433
64	82	1.39253
66	82	-1.08689
68	82	2.955056
70	82	1.95456
72	82	-4.3837
74	82	1.52596
76	82	2.237483
78	82	-6.27838
80	82	0.00749
82	82	2.352701
84	82	-5.98106
86	82	-1.28315
88	82	2.474584
90	82	-4.40701
92	82	-2.11285
94	82	2.702561
96	82	-2.3916
98	82	-2.42079
100	82	3.046235
102	82	-0.26609
104	82	-2.25365
106	82	3.427004
108	82	1.81707
110	82	-1.51118
112	82	3.668799
114	82	3.733263
116	82	0.18653
118	82	3.468797
120	82	5.25747
122	82	2.982427
124	82	2.633183
126	82	5.79195
128	82	5.88887
130	82	3.484385
132	82	4.31461
134	82	6.83898
136	82	6.96459
138	82	5.02133
140	82	4.38169
142	82	6.57996
144	82	7.86712
146	82	7.47593
148	82	5.95785
150	82	5.04827
152	82	6.02083
154	82	7.32902
156	82	7.93216
158	82	7.79719
160	82	7.18176
162	82	6.47194
164	82	6.05946
166	82	6.0895
168	82	6.39431
170	82	6.74974
172	82	7.03819
174	82	7.22952
176	82	7.33226
178	82	7.38337
180	82	7.40318
-180	84	7.41548
-178	84	7.418

-176	84	7.42204
-174	84	7.42442
-172	84	7.4159
-170	84	7.38376
-168	84	7.33
-166	84	7.26682
-164	84	7.21664
-162	84	7.1917
-160	84	7.16094
-158	84	7.04449
-156	84	6.76925
-154	84	6.39316
-152	84	6.20335
-150	84	6.47148
-148	84	6.93397
-146	84	6.96643
-144	84	6.18764
-142	84	5.03791
-140	84	5.07004
-138	84	6.05426
-136	84	6.06237
-134	84	4.49657
-132	84	3.42408
-130	84	4.81482
-128	84	5.1185
-126	84	2.94623
-124	84	2.06133
-122	84	4.188695
-120	84	3.489556
-118	84	-0.084
-116	84	2.17688
-114	84	3.497695
-112	84	-0.56735
-110	84	-0.58199
-108	84	3.053777
-106	84	-0.20754
-104	84	-4.02147
-102	84	2.451911
-100	84	0.24971
-98	84	-8.2267
-96	84	1.93609
-94	84	0.70707
-92	84	-12.0668
-90	84	1.63546
-88	84	1.27069
-86	84	-10.3672
-84	84	1.54857
-82	84	2.02481
-80	84	-6.22109
-78	84	1.57705
-76	84	2.957791
-74	84	-2.64838
-72	84	1.57661
-70	84	3.950698
-68	84	0.43817
-66	84	1.4273
-64	84	4.77353
-62	84	3.2203923
-60	84	1.38414
-58	84	4.98707
-56	84	5.54716
-54	84	3.03507
-52	84	3.928287
-50	84	6.54759
-48	84	6.31463
-46	84	4.074699
-44	84	4.75642
-42	84	7.13994
-40	84	7.59345
-38	84	6.15138
-36	84	4.70446
-34	84	5.91002
-32	84	7.5874
-30	84	8.10807
-28	84	7.50875
-26	84	6.35473
-24	84	5.65784
-22	84	6.01906
-20	84	6.82455
-18	84	7.42596
-16	84	7.65415
-14	84	7.57619
-12	84	7.32284
-10	84	7.02644
-8	84	6.78201
-6	84	6.63064
-4	84	6.56838
-2	84	6.56713
0	84	6.59646
2	84	6.63013
4	84	6.66402
6	84	6.69845
8	84	6.74068
10	84	6.79529
12	84	6.86084
14	84	6.91933
16	84	6.9429
18	84	6.91724
20	84	6.87232
22	84	6.88968
24	84	7.02934
26	84	7.20563
28	84	7.17817
30	84	6.72378
32	84	5.93201
34	84	5.524
36	84	6.06789
38	84	6.67298
40	84	6.27905
42	84	4.82358
44	84	4.20029
46	84	5.38146
48	84	5.64828
50	84	3.893557
52	84	2.678941
54	84	4.42218
56	84	4.44879

58	84	1.5922
60	84	1.84096
62	84	3.975816
64	84	1.95553
66	84	-1.27077
68	84	2.774185
70	84	2.32539
72	84	-4.01698
74	84	1.20431
76	84	2.441929
78	84	-5.35939
80	84	-0.4085
82	84	2.451812
84	84	-5.13238
86	84	-1.7357
88	84	2.512578
90	84	-3.9164
92	84	-2.51498
94	84	2.707645
96	84	-2.1751
98	84	-2.68787
100	84	3.039035
102	84	-0.19675
104	84	-2.35077
106	84	3.42908
108	84	1.81891
110	84	-1.48224
112	84	3.709797
114	84	3.715249
116	84	0.21142
118	84	3.589821
120	84	5.26863
122	84	2.923741
124	84	2.826161
126	84	5.90592
128	84	5.85274
130	84	3.460341
132	84	4.57341
134	84	6.9817
136	84	6.93844
138	84	4.94042
140	84	4.60489
142	84	6.82844
144	84	7.96255
146	84	7.43112
148	84	5.89242
150	84	5.19026
152	84	6.27604
154	84	7.50567
156	84	8.00325
158	84	7.79216
160	84	7.15853
162	84	6.50571
164	84	6.18919
166	84	6.28099
168	84	6.58927
170	84	6.91339
172	84	7.15706
174	84	7.30251
176	84	7.37566
178	84	7.40486
180	84	7.41548
-180	86	7.42651
-178	86	7.43375
-176	86	7.44862
-174	86	7.46219
-172	86	7.46294
-170	86	7.4396
-168	86	7.38645
-166	86	7.31893
-164	86	7.26843
-162	86	7.26369
-160	86	7.28571
-158	86	7.2424
-156	86	7.01839
-154	86	6.60298
-152	86	6.25245
-150	86	6.37897
-148	86	6.89559
-146	86	7.12556
-144	86	6.5268
-142	86	5.29225
-140	86	4.96324
-138	86	5.97163
-136	86	6.27033
-134	86	4.90053
-132	86	3.44105
-130	86	4.66105
-128	86	5.29984
-126	86	3.395176
-124	86	1.94991
-122	86	4.086697
-120	86	3.80931
-118	86	0.28042
-116	86	1.90135
-114	86	3.614459
-112	86	0.02869
-110	86	-0.95538
-108	86	3.02898
-106	86	0.30347
-104	86	-4.48623
-102	86	2.342167
-100	86	0.61989
-98	86	-8.8989
-96	86	1.78458
-94	86	0.95958
-92	86	-13.0365
-90	86	1.47573
-88	86	1.43194
-86	86	-10.6922
-84	86	1.40447
-82	86	2.1171
-80	86	-6.225
-78	86	1.46502
-76	86	3.002443
-74	86	-2.58899
-72	86	1.51379

-70	86	3.969511
-68	86	0.48882
-66	86	1.43681
-64	86	4.79214
-62	86	3.2419209
-60	86	1.46279
-58	86	5.04392
-56	86	5.56245
-54	86	3.06706
-52	86	4.059333
-50	86	6.61723
-48	86	6.32008
-46	86	4.111913
-44	86	4.92448
-42	86	7.25167
-40	86	7.62803
-38	86	6.15319
-36	86	4.80842
-34	86	6.07938
-32	86	7.69788
-30	86	8.15882
-28	86	7.53495
-26	86	6.41444
-24	86	5.79197
-22	86	6.16683
-20	86	6.92723
-18	86	7.47557
-16	86	7.67129
-14	86	7.58445
-12	86	7.34575
-10	86	7.08378
-8	86	6.87805
-6	86	6.7635
-4	86	6.72556
-2	86	6.73615
0	86	6.76891
2	86	6.79785
4	86	6.82298
6	86	6.84558
8	86	6.87504
10	86	6.9238
12	86	6.98979
14	86	7.05518
16	86	7.08134
18	86	7.0373
20	86	6.93976
22	86	6.88349
24	86	6.98598
26	86	7.21785
28	86	7.32735
30	86	7.01109
32	86	6.21972
34	86	5.5664
36	86	5.93409
38	86	6.68756
40	86	6.5544
42	86	5.18893
44	86	4.171025
46	86	5.24747
48	86	5.82184
50	86	4.31856
52	86	2.669837
54	86	4.27571
56	86	4.67935
58	86	2.0509
60	86	1.60238
62	86	3.96313
64	86	2.403015
66	86	-1.2789
68	86	2.591369
70	86	2.608656
72	86	-3.52748
74	86	0.89782
76	86	2.595718
78	86	-4.52764
80	86	-0.81638
82	86	2.524856
84	86	-4.38089
86	86	-2.21013
88	86	2.538447
90	86	-3.42593
92	86	-2.97741
94	86	2.706321
96	86	-1.90619
98	86	-3.04296
100	86	3.02311
102	86	-0.0616
104	86	-2.54105
106	86	3.410619
108	86	1.88218
110	86	-1.5116
112	86	3.706617
114	86	3.741745
116	86	0.2595
118	86	3.631816
120	86	5.28974
122	86	2.945111
124	86	2.935437
126	86	5.9694
128	86	5.86114
130	86	3.501028
132	86	4.72206
134	86	7.06649
136	86	6.95356
138	86	4.96029
140	86	4.76855
142	86	6.96968
144	86	8.02708
146	86	7.44634
148	86	5.92915
150	86	5.32917
152	86	6.42763
154	86	7.59994
156	86	8.05165
158	86	7.82384
160	86	7.21619
162	86	6.61972

164	86	6.35487
166	86	6.45509
168	86	6.73421
170	86	7.01805
172	86	7.22162
174	86	7.34148
176	86	7.39647
178	86	7.41654
180	86	7.42651
-180	88	7.45024
-178	88	7.46615
-176	88	7.49346
-174	88	7.51967
-172	88	7.53097
-170	88	7.51074
-168	88	7.45343
-166	88	7.37299
-164	88	7.31005
-162	88	7.31162
-160	88	7.37328
-158	88	7.39768
-156	88	7.23635
-154	88	6.82026
-152	88	6.35471
-150	88	6.33312
-148	88	6.85422
-146	88	7.23451
-144	88	6.79879
-142	88	5.55317
-140	88	4.92999
-138	88	5.89535
-136	88	6.41912
-134	88	5.23988
-132	88	3.533807
-130	88	4.53509
-128	88	5.42738
-126	88	3.772263
-124	88	1.93667
-122	88	3.989789
-120	88	4.050898
-118	88	0.65451
-116	88	1.68127
-114	88	3.690629
-112	88	0.52136
-110	88	-1.22609
-108	88	2.989529
-106	88	0.71606
-104	88	-4.79204
-102	88	2.227816
-100	88	0.93033
-98	88	-9.3147
-96	88	1.62528
-94	88	1.18791
-92	88	-13.6252
-90	88	1.29642
-88	88	1.59532
-86	88	-10.7947
-84	88	1.22434
-82	88	2.226612
-80	88	-6.12705
-78	88	1.29776
-76	88	3.067104
-74	88	-2.44842
-72	88	1.37478
-70	88	3.997892
-68	88	0.61988
-66	88	1.35742
-64	88	4.79527
-62	88	3.334605
-60	88	1.49164
-58	88	5.04212
-56	88	5.61248
-54	88	3.1656238
-52	88	4.096175
-50	88	6.64819
-48	88	6.38151
-46	88	4.21299
-44	88	4.98714
-42	88	7.29166
-40	88	7.68416
-38	88	6.24939
-36	88	4.92481
-34	88	6.14179
-32	88	7.73619
-30	88	8.21056
-28	88	7.62869
-26	88	6.56055
-24	88	5.94192
-22	88	6.25584
-20	88	6.95613
-18	88	7.47653
-16	88	7.67273
-14	88	7.61024
-12	88	7.40901
-10	88	7.18662
-8	88	7.01865
-6	88	6.92638
-4	88	6.89985
-2	88	6.91049
0	88	6.93836
2	88	6.95814
4	88	6.97125
6	88	6.98071
8	88	7.00047
10	88	7.04357
12	88	7.11504
14	88	7.19343
16	88	7.23218
18	88	7.18411
20	88	7.04747
22	88	6.91865
24	88	6.96215
26	88	7.21468
28	88	7.42931
30	88	7.23976
32	88	6.4897
34	88	5.66908

36	88	5.8454
38	88	6.68261
40	88	6.76066
42	88	5.51311
44	88	4.22003
46	88	5.1367
48	88	5.9432
50	88	4.67073
52	88	2.745155
54	88	4.150239
56	88	4.84698
58	88	2.45523
60	88	1.45542
62	88	3.934066
64	88	2.753925
66	88	-1.16295
68	88	2.424446
70	88	2.825034
72	88	-3.01478
74	88	0.62066
76	88	2.711291
78	88	-3.80426
80	88	-1.20587
82	88	2.577298
84	88	-3.7157
86	88	-2.70476
88	88	2.552888
90	88	-2.93796
92	88	-3.50919
94	88	2.6964
96	88	-1.58845
98	88	-3.49621
100	88	2.995211
102	88	0.13784
104	88	-2.82375
106	88	3.368644
108	88	2.00594
110	88	-1.59044
112	88	3.65816
114	88	3.812559
116	88	0.33188
118	88	3.597225
120	88	5.32291
122	88	3.044022
124	88	2.961552
126	88	5.98816
128	88	5.91969
130	88	3.600195
132	88	4.77142
134	88	7.10407
136	88	7.01354
138	88	5.06036
140	88	4.85235
142	88	7.01543
144	88	8.07663
146	88	7.5273
148	88	6.05701
150	88	5.44742
152	88	6.48083
154	88	7.62312
156	88	8.0828
158	88	7.89414
160	88	7.34334
162	88	6.79581
164	88	6.54017
166	88	6.61052
168	88	6.84349
170	88	7.0845
172	88	7.26192
174	88	7.36378
176	88	7.41292
178	88	7.4343
180	88	7.45024
-180	90	7.49126
-178	90	7.52411
-176	90	7.56275
-174	90	7.59938
-172	90	7.61742
-170	90	7.59813
-168	90	7.53176
-166	90	7.43311
-164	90	7.35139
-162	90	7.34993
-160	90	7.44045
-158	90	7.52294
-156	90	7.42077
-154	90	7.01979
-152	90	6.47805
-150	90	6.3295
-148	90	6.8314
-146	90	7.31916
-144	90	7.01201
-142	90	5.78334
-140	90	4.94755
-138	90	5.84883
-136	90	6.53523
-134	90	5.51014
-132	90	3.657867
-130	90	4.45245
-128	90	5.52551
-126	90	4.074701
-124	90	1.98783
-122	90	3.916662
-120	90	4.23529
-118	90	0.99459
-116	90	1.52578
-114	90	3.743682
-112	90	0.91824
-110	90	-1.39457
-108	90	2.947524
-106	90	1.04769
-104	90	-4.94371
-102	90	2.11652
-100	90	1.19139
-98	90	-9.4451
-96	90	1.46146
-94	90	1.39516

-92	90	-13.6224
-90	90	1.09611
-88	90	1.75925
-86	90	-10.577
-84	90	1.00282
-82	90	2.349578
-80	90	-5.88821
-78	90	1.06778
-76	90	3.1469534
-74	90	-2.21125
-72	90	1.15401
-70	90	4.030857
-68	90	0.83382
-66	90	1.19153
-64	90	4.77846
-62	90	3.49492
-60	90	1.4829
-58	90	4.97985
-56	90	5.69353
-54	90	3.331119
-52	90	4.044312
-50	90	6.63941
-48	90	6.49608
-46	90	4.38107
-44	90	4.95992
-42	90	7.2715
-40	90	7.76606
-38	90	6.43748
-36	90	5.05745
-34	90	6.10463
-32	90	7.70241
-30	90	8.25835
-28	90	7.78038
-26	90	6.78477
-24	90	6.12155
-22	90	6.30635
-20	90	6.92309
-18	90	7.43176
-16	90	7.65733
-14	90	7.64201
-12	90	7.49391
-10	90	7.31696
-8	90	7.17856
-6	90	7.10181
-4	90	7.07755
-2	90	7.08314
0	90	7.09602
2	90	7.10516
4	90	7.10414
6	90	7.10077
8	90	7.11094
10	90	7.15271
12	90	7.23222
14	90	7.32732
16	90	7.3838
18	90	7.33883
20	90	7.17424
22	90	6.98253
24	90	6.96364
26	90	7.21667
28	90	7.50762
30	90	7.42025
32	90	6.71947
34	90	5.79361
36	90	5.80504
38	90	6.6851
40	90	6.92034
42	90	5.77701
44	90	4.30696
46	90	5.06661
48	90	6.03791
50	90	4.95042
52	90	2.861321
54	90	4.0627
56	90	4.97442
58	90	2.789762
60	90	1.38924
62	90	3.90724
64	90	3.026478
66	90	-0.97991
68	90	2.287281
70	90	2.991067
72	90	-2.53654
74	90	0.38454
76	90	2.798767
78	90	-3.18822
80	90	-1.56694
82	90	2.614056
84	90	-3.12594
86	90	-3.21716
88	90	2.556583
90	90	-2.45516
92	90	-4.12131
94	90	2.675474
96	90	-1.22742
98	90	-4.05942
100	90	2.95072
102	90	0.39704
104	90	-3.19361
106	90	3.2975443
108	90	2.1857
110	90	-1.69808
112	90	3.559391
114	90	3.922911
116	90	0.44236
118	90	3.484675
120	90	5.36404
122	90	3.2191582
124	90	2.91198
126	90	5.96064
128	90	6.02483
130	90	3.758208
132	90	4.7276
134	90	7.09775
136	90	7.12172
138	90	5.24872
140	90	4.87397

142	90	6.97141
144	90	8.10866
146	90	7.66776
148	90	6.27006
150	90	5.55511
152	90	6.44591
154	90	7.57658
156	90	8.0957
158	90	7.99214
160	90	7.52356
162	90	7.02314
164	90	6.75347
166	90	6.76573
168	90	6.93883
170	90	7.13726
172	90	7.29076
174	90	7.38602
176	90	7.43753
178	90	7.46693
180	90	7.49126
-180	92	7.55578
-178	92	7.60086
-176	92	7.6517
-174	92	7.69727
-172	92	7.71924
-170	92	7.69516
-168	92	7.61503
-166	92	7.49474
-164	92	7.39158
-162	92	7.38566
-160	92	7.50085
-158	92	7.63069
-156	92	7.57563
-154	92	7.18889
-152	92	6.59622
-150	92	6.3557
-148	92	6.83905
-146	92	7.39847
-144	92	7.17667
-142	92	5.96413
-140	92	4.99308
-138	92	5.84316
-136	92	6.63575
-134	92	5.71496
-132	92	3.780772
-130	92	4.41996
-128	92	5.61078
-126	92	4.30672
-124	92	2.0724
-122	92	3.87907
-120	92	4.37778
-118	92	1.27966
-116	92	1.43702
-114	92	3.786208
-112	92	1.22969
-110	92	-1.47145
-108	92	2.912537
-106	92	1.3123
-104	92	-4.9658
-102	92	2.01505
-100	92	1.41153
-98	92	-9.3195
-96	92	1.29648
-94	92	1.58407
-92	92	-13.0181
-90	92	0.87332
-88	92	1.92185
-86	92	-10.0087
-84	92	0.73306
-82	92	2.480587
-80	92	-5.48289
-78	92	0.76441
-76	92	3.2340282
-74	92	-1.86655
-72	92	0.84176
-70	92	4.058195
-68	92	1.12849
-66	92	0.94116
-64	92	4.72952
-62	92	3.71185
-60	92	1.45706
-58	92	4.84509
-56	92	5.79024
-54	92	3.563383
-52	92	3.90592
-50	92	6.57426
-48	92	6.64435
-46	92	4.61534
-44	92	4.84549
-42	92	7.17078
-40	92	7.85022
-38	92	6.69927
-36	92	5.22585
-34	92	5.97758
-32	92	7.58487
-30	92	8.28436
-28	92	7.96747
-26	92	7.07399
-24	92	6.34498
-22	92	6.34454
-20	92	6.84345
-18	92	7.33617
-16	92	7.60498
-14	92	7.65612
-12	92	7.57201
-10	92	7.44499
-8	92	7.33748
-6	92	7.27071
-4	92	7.24352
-2	92	7.23806
0	92	7.23914
2	92	7.22881
4	92	7.21525
6	92	7.20127
8	92	7.20629
10	92	7.25029
12	92	7.34259

14	92	7.45735
16	92	7.5312
18	92	7.48983
20	92	7.3021
22	92	7.05798
24	92	6.9857
26	92	7.23481
28	92	7.58051
30	92	7.56531
32	92	6.90027
34	92	5.90988
36	92	5.80719
38	92	6.71125
40	92	7.04957
42	92	5.97725
44	92	4.40144
46	92	5.04469
48	92	6.12298
50	92	5.16339
52	92	2.984741
54	92	4.022163
56	92	5.07768
58	92	3.052016
60	92	1.38691
62	92	3.895532
64	92	3.2352009
66	92	-0.7747
68	92	2.18962
70	92	3.1194103
72	92	-2.12018
74	92	0.19821
76	92	2.866585
78	92	-2.67079
80	92	-1.89028
82	92	2.639587
84	92	-2.60185
86	92	-3.74388
88	92	2.550267
90	92	-1.98024
92	92	-4.82694
94	92	2.640579
96	92	-0.8314
98	92	-4.74563
100	92	2.883195
102	92	0.70708
104	92	-3.63617
106	92	3.187936
108	92	2.411955
110	92	-1.80111
112	92	3.39906
114	92	4.061231
116	92	0.61066
118	92	3.2857275
120	92	5.39949
122	92	3.464273
124	92	2.796078
126	92	5.87241
128	92	6.1594
130	92	3.977402
132	92	4.59032
134	92	7.02876
136	92	7.25574
138	92	5.51468
140	92	4.84777
142	92	6.82456
144	92	8.10269
146	92	7.84645
148	92	6.56321
150	92	5.68554
152	92	6.33809
154	92	7.44873
156	92	8.06451
158	92	8.08857
160	92	7.73368
162	92	7.28866
164	92	6.99779
166	92	6.94128
168	92	7.04207
170	92	7.19218
172	92	7.32424
174	92	7.41424
176	92	7.47189
178	92	7.51246
180	92	7.55578
-180	94	7.64447
-178	94	7.7031
-176	94	7.76414
-174	94	7.81492
-172	94	7.8328
-170	94	7.7974
-168	94	7.69576
-166	94	7.55042
-164	94	7.42856
-162	94	7.4237
-160	94	7.5656
-158	94	7.73451
-156	94	7.70856
-154	94	7.32178
-152	94	6.69059
-150	94	6.39939
-148	94	6.88389
-146	94	7.4865
-144	94	7.30136
-142	94	6.08376
-140	94	5.04562
-138	94	5.88705
-136	94	6.73558
-134	94	5.85773
-132	94	3.875587
-130	94	4.44078
-128	94	5.69733
-126	94	4.47266
-124	94	2.16163
-122	94	3.885709
-120	94	4.49136
-118	94	1.49802
-116	94	1.41143

-114	94	3.829265
-112	94	1.46526
-110	94	-1.47497
-108	94	2.892893
-106	94	1.52111
-104	94	-4.89534
-102	94	1.92987
-100	94	1.598
-98	94	-9.0105
-96	94	1.13391
-94	94	1.75711
-92	94	-12.0141
-90	94	0.62657
-88	94	2.0811
-86	94	-9.1458
-84	94	0.40714
-82	94	2.61387
-80	94	-4.90665
-78	94	0.37555
-76	94	3.319531
-74	94	-1.40981
-72	94	0.43075
-70	94	4.069022
-68	94	1.50092
-66	94	0.62368
-64	94	4.63723
-62	94	3.97565
-60	94	1.46152
-58	94	4.63179
-56	94	5.89009
-54	94	3.875269
-52	94	3.711201
-50	94	6.44406
-48	94	6.81332
-46	94	4.93785
-44	94	4.68861
-42	94	6.98548
-40	94	7.92045
-38	94	7.02415
-36	94	5.47856
-34	94	5.79793
-32	94	7.37161
-30	94	8.2593
-28	94	8.16091
-26	94	7.41834
-24	94	6.64735
-22	94	6.42634
-20	94	6.74865
-18	94	7.19776
-16	94	7.50833
-14	94	7.6308
-12	94	7.61863
-10	94	7.54873
-8	94	7.47176
-6	94	7.41829
-4	94	7.38712
-2	94	7.37046
0	94	7.35718
2	94	7.33215
4	94	7.30474
6	94	7.28243
8	94	7.28708
10	94	7.34301
12	94	7.45375
14	94	7.58972
16	94	7.67706
18	94	7.6316
20	94	7.41748
22	94	7.12934
24	94	7.02186
26	94	7.27653
28	94	7.66167
30	94	7.68491
32	94	7.02877
34	94	5.99666
36	94	5.8445
38	94	6.77374
40	94	7.16187
42	94	6.11194
44	94	4.47722
46	94	5.07538
48	94	6.2131
50	94	5.31475
52	94	3.087345
54	94	4.033897
56	94	5.17042
58	94	3.2422177
60	94	1.42767
62	94	3.909796
64	94	3.392152
66	94	-0.58212
68	94	2.1384
70	94	3.2206778
72	94	-1.77802
74	94	0.0676
76	94	2.922309
78	94	-2.242
80	94	-2.16779
82	94	2.658234
84	94	-2.1351
86	94	-4.2802
88	94	2.534712
90	94	-1.51585
92	94	-5.64186
94	94	2.588511
96	94	-0.40955
98	94	-5.56338
100	94	2.785621
102	94	1.05749
104	94	-4.11239
106	94	3.02954
108	94	2.673604
110	94	-1.8423
112	94	3.1667267
114	94	4.21573
116	94	0.86809
118	94	2.99977

120	94	5.41727
122	94	3.778711
124	94	2.651463
126	94	5.71549
128	94	6.31076
130	94	4.28012
132	94	4.39147
134	94	6.88909
136	94	7.40172
138	94	5.86854
140	94	4.83691
142	94	6.57909
144	94	8.03963
146	94	8.03872
148	94	6.93071
150	94	5.88763
152	94	6.19645
154	94	7.23898
156	94	7.97077
158	94	8.15571
160	94	7.94449
162	94	7.58032
164	94	7.28554
166	94	7.16214
168	94	7.1855
170	94	7.28154
172	94	7.38322
174	94	7.46865
176	94	7.53336
178	94	7.58786
180	94	7.64447
-180	96	7.76499
-178	96	7.83335
-176	96	7.89931
-174	96	7.94604
-172	96	7.95226
-170	96	7.89356
-168	96	7.76294
-166	96	7.59016
-164	96	7.45701
-162	96	7.46773
-160	96	7.644
-158	96	7.84304
-156	96	7.8224
-154	96	7.4141
-152	96	6.74977
-150	96	6.45392
-148	96	6.97001
-146	96	7.58949
-144	96	7.38876
-142	96	6.13652
-140	96	5.09782
-138	96	5.98303
-136	96	6.83831
-134	96	5.93906
-132	96	3.930442
-130	96	4.51651
-128	96	5.7916
-126	96	4.57512
-124	96	2.239908
-122	96	3.940703
-120	96	4.58316
-118	96	1.64593
-116	96	1.44428
-114	96	3.879556
-112	96	1.63238
-110	96	-1.42299
-108	96	2.894566
-106	96	1.68241
-104	96	-4.76917
-102	96	1.86627
-100	96	1.75663
-98	96	-8.5996
-96	96	0.97729
-94	96	1.91652
-92	96	-10.8449
-90	96	0.35423
-88	96	2.234758
-86	96	-8.0946
-84	96	0.01516
-82	96	2.742289
-80	96	-4.18237
-78	96	-0.11474
-76	96	3.391815
-74	96	-0.85108
-72	96	-0.08584
-70	96	4.047508
-68	96	1.93799
-66	96	0.27087
-64	96	4.48293
-62	96	4.26701
-60	96	1.55067
-58	96	4.3276
-56	96	5.96911
-54	96	4.26437
-52	96	3.502462
-50	96	6.22759
-48	96	6.97292
-46	96	5.34663
-44	96	4.53934
-42	96	6.68658
-40	96	7.93449
-38	96	7.37804
-36	96	5.85143
-34	96	5.62929
-32	96	7.0525
-30	96	8.1454
-28	96	8.31771
-26	96	7.7871
-24	96	7.03482
-22	96	6.60724
-20	96	6.69296
-18	96	7.03892
-16	96	7.35876
-14	96	7.54465
-12	96	7.60644
-10	96	7.59554

-8	96	7.55801
-6	96	7.51987
-4	96	7.49038
-2	96	7.4655
0	96	7.43956
2	96	7.4028
4	96	7.36542
6	96	7.34363
8	96	7.36054
10	96	7.43655
12	96	7.5741
14	96	7.73029
16	96	7.82163
18	96	7.7589
20	96	7.50917
22	96	7.18416
24	96	7.06641
26	96	7.34647
28	96	7.75883
30	96	7.78352
32	96	7.10205
34	96	6.04335
36	96	5.91438
38	96	6.87763
40	96	7.26021
42	96	6.17955
44	96	4.52487
46	96	5.16074
48	96	6.31404
50	96	5.40663
52	96	3.1555963
54	96	4.100188
56	96	5.25928
58	96	3.361962
60	96	1.49734
62	96	3.955805
64	96	3.504869
66	96	-0.42164
68	96	-2.13717
70	96	3.302124
72	96	-1.51323
74	96	-0.00424
76	96	2.97175
78	96	-1.89266
80	96	-2.39335
82	96	2.673866
84	96	-1.71865
86	96	-4.82029
88	96	2.510715
90	96	-1.06435
92	96	-6.5845
94	96	2.515618
96	96	0.02792
98	96	-6.50761
100	96	2.648738
102	96	1.43429
104	96	-4.54707
106	96	2.807952
108	96	2.954674
110	96	-1.75385
112	96	2.846467
114	96	4.36778
116	96	1.2352
118	96	2.626179
120	96	5.38605
122	96	4.148898
124	96	2.529533
126	96	5.47194
128	96	6.45232
130	96	4.67167
132	96	4.173915
134	96	6.65276
136	96	7.52049
138	96	6.2863
140	96	4.90561
142	96	6.23613
144	96	7.88626
146	96	8.20438
148	96	7.34924
150	96	6.20916
152	96	6.08763
154	96	6.95415
156	96	7.78091
158	96	8.15107
160	96	8.11543
162	96	7.86817
164	96	7.6018
166	96	7.43633
168	96	7.39126
170	96	7.42734
172	96	7.49634
174	96	7.56664
176	96	7.63302
178	96	7.69778
180	96	7.76499
-180	98	7.92278
-178	98	7.99248
-176	98	8.05161
-174	98	8.0826
-172	98	8.06072
-170	98	7.96655
-168	98	7.80115
-166	98	7.60611
-164	98	7.47787
-162	98	7.52537
-160	98	7.74554
-158	98	7.9604
-156	98	7.91593
-154	98	7.45959
-152	98	6.76854
-150	98	6.52168
-148	98	7.10112
-146	98	7.70658
-144	98	7.43345
-142	98	6.118
-140	98	5.15298
-138	98	6.13515

-136	98	6.94283
-134	98	5.95471
-132	98	3.945906
-130	98	4.64918
-128	98	5.89321
-126	98	4.61272
-124	98	2.302681
-122	98	4.045551
-120	98	4.65531
-118	98	1.7218
-116	98	1.53181
-114	98	3.940553
-112	98	1.73536
-110	98	-1.32975
-108	98	2.921399
-106	98	1.80186
-104	98	-4.61786
-102	98	1.8286
-100	98	1.89206
-98	98	-8.1541
-96	98	0.8302
-94	98	2.06422
-92	98	-9.6637
-90	98	0.05461
-88	98	2.380421
-86	98	-6.9593
-84	98	-0.45506
-82	98	2.85806
-80	98	-3.35145
-78	98	-0.72522
-76	98	3.437163
-74	98	-0.21323
-72	98	-0.70565
-70	98	3.974212
-68	98	2.418042
-66	98	-0.05554
-64	98	4.24412
-62	98	4.5601
-60	98	1.77972
-58	98	3.92429
-56	98	5.99719
-54	98	4.71309
-52	98	3.350386
-50	98	5.89786
-48	98	7.07923
-46	98	5.82194
-44	98	4.49432
-42	98	6.27534
-40	98	7.85411
-38	98	7.71344
-36	98	6.34501
-34	98	5.5759
-32	98	6.64059
-30	98	7.90247
-28	98	8.38428
-26	98	8.13001
-24	98	7.48998
-22	98	6.92842
-20	98	6.75483
-18	98	6.91714
-16	98	7.18393
-14	98	7.40008
-12	98	7.52051
-10	98	7.56509
-8	98	7.56938
-6	98	7.5563
-4	98	7.53261
-2	98	7.50681
0	98	7.47406
2	98	7.43369
4	98	7.39781
6	98	7.39211
8	98	7.43322
10	98	7.54551
12	98	7.71564
14	98	7.88529
16	98	7.96382
18	98	7.86372
20	98	7.56647
22	98	7.2146
24	98	7.12057
26	98	7.44987
28	98	7.87421
30	98	7.85859
32	98	7.11478
34	98	6.04857
36	98	6.02202
38	98	7.02312
40	98	7.3423
42	98	6.17497
44	98	4.54448
46	98	5.30364
48	98	6.42291
50	98	5.43586
52	98	3.1872741
54	98	4.22261
56	98	5.34551
58	98	3.41077
60	98	1.58971
62	98	4.035914
64	98	3.576712
66	98	-0.30271
68	98	2.18729
70	98	3.36814
72	98	-1.32592
74	98	-0.01652
76	98	3.019293
78	98	-1.61538
80	98	-2.56279
82	98	2.689943
84	98	-1.34683
86	98	-5.35685
88	98	2.479096
90	98	-0.62788
92	98	-7.6741
94	98	2.417773
96	98	0.47079

98	98	-7.532
100	98	2.461627
102	98	1.82204
104	98	-4.81679
106	98	2.505453
108	98	3.2359817
110	98	-1.47295
112	98	2.420801
114	98	4.49435
116	98	1.71533
118	98	2.17765
120	98	5.30953
122	98	4.55072
124	98	2.504051
126	98	5.12418
128	98	6.54894
130	98	5.1343
132	98	4.006743
134	98	6.29661
136	98	7.57408
138	98	6.7447
140	98	5.1407
142	98	5.82856
144	98	7.60092
146	98	8.29261
148	98	7.77421
150	98	6.66872
152	98	6.11139
154	98	6.63715
156	98	7.47962
158	98	8.02983
160	98	8.19751
162	98	8.10574
164	98	7.91592
166	98	7.75196
168	98	7.66353
170	98	7.64559
172	98	7.67493
174	98	7.72696
176	98	7.78599
178	98	7.8528
180	98	7.92278
-180	100	8.1127
-178	100	8.168
-176	100	8.20546
-174	100	8.2029
-172	100	8.13775
-170	100	7.99737
-168	100	7.79118
-166	100	7.58466
-164	100	7.49188
-162	100	7.60639
-160	100	7.87577
-158	100	8.08461
-156	100	7.98013
-154	100	7.4491
-152	100	6.74951
-150	100	6.61596
-148	100	7.2797
-146	100	7.82734
-144	100	7.42403
-142	100	6.02632
-140	100	5.23003
-138	100	6.34134
-136	100	7.03879
-134	100	5.89598
-132	100	3.931059
-130	100	4.84178
-128	100	5.99467
-126	100	4.57952
-124	100	2.357245
-122	100	4.199274
-120	100	4.70509
-118	100	1.72534
-116	100	1.67307
-114	100	4.012407
-112	100	1.77539
-110	100	-1.20305
-108	100	2.975291
-106	100	1.88256
-104	100	-4.46298
-102	100	1.8202
-100	100	2.00779
-98	100	-7.7208
-96	100	0.69614
-94	100	2.201941
-92	100	-8.5439
-90	100	-0.27414
-88	100	2.515682
-86	100	-5.81463
-84	100	-1.0186
-82	100	2.95259
-80	100	-2.46108
-78	100	-1.47642
-76	100	3.4397
-74	100	0.47207
-72	100	-1.40194
-70	100	3.826111
-68	100	2.912307
-66	100	-0.25545
-64	100	3.895612
-62	100	4.82325
-60	100	2.18146
-58	100	3.428967
-56	100	5.93882
-54	100	5.18281
-52	100	3.349658
-50	100	5.44386
-48	100	7.09381
-46	100	6.32512
-44	100	4.65712
-42	100	5.76279
-40	100	7.62745
-38	100	7.97551
-36	100	6.92318
-34	100	5.75192
-32	100	6.20567

-30	100	7.50146
-28	100	8.30073
-26	100	8.37896
-24	100	7.95457
-22	100	7.38561
-20	100	7.00145
-18	100	6.92382
-16	100	7.04789
-14	100	7.22604
-12	100	7.36876
-10	100	7.45689
-8	100	7.4978
-6	100	7.51009
-4	100	7.50222
-2	100	7.4834
0	100	7.45751
2	100	7.42704
4	100	7.41335
6	100	7.44134
8	100	7.53071
10	100	7.68946
12	100	7.88764
14	100	8.05428
16	100	8.09344
18	100	7.93054
20	100	7.57641
22	100	7.22045
24	100	7.19478
26	100	7.59271
28	100	8.00325
30	100	7.89942
32	100	7.05901
34	100	6.02275
36	100	6.18033
38	100	7.20624
40	100	7.39525
42	100	6.0903
44	100	4.55154
46	100	5.50758
48	100	6.53353
50	100	5.39489
52	100	3.19216275
54	100	4.40144
56	100	5.42439
58	100	3.385675
60	100	1.70787
62	100	4.149146
64	100	3.606833
66	100	-0.22676
68	100	2.288554
70	100	3.420371
72	100	-1.21503
74	100	0.03028
76	100	3.067927
78	100	-1.40493
80	100	-2.67405
82	100	2.709522
84	100	-1.015
86	100	-5.88148
88	100	2.44068
90	100	-0.20825
92	100	-8.924
94	100	2.290333
96	100	0.90912
98	100	-8.4922
100	100	2.211167
102	100	2.204162
104	100	-4.77063
106	100	2.10074
108	100	3.495813
110	100	-0.9698
112	100	1.874
114	100	4.56846
116	100	2.288408
118	100	1.69618
120	100	5.12716
122	100	4.94934
124	100	2.655847
126	100	4.65989
128	100	6.55716
130	100	5.63433
132	100	4.007032
134	100	5.81784
136	100	7.51368
138	100	7.18222
140	100	5.58107
142	100	5.45874
144	100	7.16084
146	100	8.24016
148	100	8.14022
150	100	7.23102
152	100	6.36649
154	100	6.39475
156	100	7.08738
158	100	7.75987
160	100	8.13152
162	100	8.2289
164	100	8.1659
166	100	8.05671
168	100	7.96692
170	100	7.92296
172	100	7.92111
174	100	7.94812
176	100	7.99377
178	100	8.05029
180	100	8.1127
-180	102	8.30607
-178	102	8.33074
-176	102	8.32702
-174	102	8.27253
-172	102	8.14937
-170	102	7.9552
-168	102	7.72253
-166	102	7.54103
-164	102	7.52778
-162	102	7.73099
-160	102	8.03736

-158	102	8.19997
-156	102	7.99259
-154	102	7.36977
-152	102	6.70659
-150	102	6.75941
-148	102	7.5027
-146	102	7.93389
-144	102	7.34161
-142	102	5.86849
-140	102	5.36013
-138	102	6.59617
-136	102	7.10625
-134	102	5.75015
-132	102	3.913009
-130	102	5.09504
-128	102	6.08406
-126	102	4.46667
-124	102	2.424671
-122	102	4.39741
-120	102	4.72442
-118	102	1.65803
-116	102	1.86963
-114	102	4.091799
-112	102	1.75024
-110	102	-1.0432
-108	102	3.056183
-106	102	1.92508
-104	102	-4.31653
-102	102	1.84347
-100	102	2.10625
-98	102	-7.3287
-96	102	0.57852
-94	102	2.331186
-92	102	-7.5124
-90	102	-0.63409
-88	102	2.637996
-86	102	-4.70559
-84	102	-1.69426
-82	102	3.01674
-80	102	-1.55462
-78	102	-2.38543
-76	102	3.381567
-74	102	1.16939
-72	102	-2.0951
-70	102	3.576542
-68	102	3.387358
-66	102	-0.20731
-64	102	3.413027
-62	102	5.01981
-60	102	2.744697
-58	102	2.883588
-56	102	5.75083
-54	102	5.6252
-52	102	3.595283
-50	102	4.88245
-48	102	6.96681
-46	102	6.78638
-44	102	5.08083
-42	102	5.24524
-40	102	7.21548
-38	102	8.08661
-36	102	7.50144
-34	102	6.21992
-32	102	5.90925
-30	102	6.95531
-28	102	8.00832
-26	102	8.45036
-24	102	8.33208
-22	102	7.90316
-20	102	7.44449
-18	102	7.15321
-16	102	7.07395
-14	102	7.12604
-12	102	7.22226
-10	102	7.30977
-8	102	7.37025
-6	102	7.40405
-4	102	7.41658
-2	102	7.41674
0	102	7.41369
2	102	7.41606
4	102	7.44884
6	102	7.53412
8	102	7.68342
10	102	7.88586
12	102	8.09308
14	102	8.22377
16	102	8.19038
18	102	7.93863
20	102	7.52844
22	102	7.20833
24	102	7.30332
26	102	7.77425
28	102	8.12948
30	102	7.88558
32	102	6.92717
34	102	5.99196
36	102	6.40563
38	102	7.41062
40	102	7.39927
42	102	5.91784
44	102	4.57902
46	102	5.7706
48	102	6.62969
50	102	5.27201
52	102	3.19180881
54	102	4.63502
56	102	5.48355
58	102	3.2820279
60	102	1.86382
62	102	4.29074
64	102	3.590018
66	102	-0.18732
68	102	2.43928
70	102	3.457357
72	102	-1.17988
74	102	0.13517

76	102	3.1191475
78	102	-1.25825
80	102	-2.72642
82	102	2.735206
84	102	-0.71954
86	102	-6.38478
88	102	2.396286
90	102	0.19304
92	102	-10.3196
94	102	2.12809
96	102	1.33369
98	102	-9.0842
100	102	1.88177
102	102	2.564079
104	102	-4.30807
106	102	1.56897
108	102	3.710362
110	102	-0.26708
112	102	1.20112
114	102	4.55934
116	102	2.913047
118	102	1.2745
120	102	4.81631
122	102	5.30055
124	102	3.029901
126	102	4.100362
128	102	6.43658
130	102	6.11641
132	102	4.27032
134	102	5.24206
136	102	7.28429
138	102	7.53567
140	102	6.19726
142	102	5.28885
144	102	6.57796
146	102	7.99019
148	102	8.366
150	102	7.80544
152	102	6.87622
154	102	6.39259
156	102	6.69798
158	102	7.34191
160	102	7.87509
162	102	8.17042
164	102	8.27557
166	102	8.27162
168	102	8.2334
170	102	8.20039
172	102	8.18915
174	102	8.20104
176	102	8.22913
178	102	8.26651
180	102	8.30607
-180	104	8.44238
-178	104	8.42243
-176	104	8.36052
-174	104	8.24171
-172	104	8.06033
-170	104	7.82591
-168	104	7.60771
-166	104	7.50627
-164	104	7.61663
-162	104	7.91573
-160	104	8.22093
-158	104	8.28371
-156	104	7.93005
-154	104	7.21888
-152	104	6.67414
-150	104	6.97474
-148	104	7.74914
-146	104	7.99163
-144	104	7.15879
-142	104	5.6686
-140	104	5.58058
-138	104	6.88104
-136	104	7.1192
-134	104	5.50604
-132	104	3.938707
-130	104	5.40228
-128	104	6.14064
-126	104	4.2643
-124	104	2.53523
-122	104	4.63001
-120	104	4.6998
-118	104	1.5259
-116	104	2.12424
-114	104	4.171793
-112	104	1.65483
-110	104	-0.84431
-108	104	3.1619275
-106	104	1.92757
-104	104	-4.18208
-102	104	1.89967
-100	104	2.18884
-98	104	-6.9948
-96	104	0.48053
-94	104	2.453187
-92	104	-6.57414
-90	104	-1.02753
-88	104	2.744774
-86	104	-3.65583
-84	104	-2.50561
-82	104	3.040449
-80	104	-0.66752
-78	104	-3.45097
-76	104	3.2423343
-74	104	1.84381
-72	104	-2.618
-70	104	3.19513329
-68	104	3.807102
-66	104	0.17277
-64	104	2.781044
-62	104	5.10919
-60	104	3.410427
-58	104	2.394894
-56	104	5.39872
-54	104	5.98177

-52	104	4.103619
-50	104	4.29273
-48	104	6.64333
-46	104	7.13142
-44	104	5.72422
-42	104	4.91131
-40	104	6.60034
-38	104	7.98053
-36	104	7.96248
-34	104	6.90585
-32	104	5.97171
-30	104	6.38183
-28	104	7.48123
-26	104	8.26571
-24	104	8.5144
-22	104	8.35144
-20	104	7.98589
-18	104	7.61296
-16	104	7.35859
-14	104	7.24091
-12	104	7.21994
-10	104	7.24397
-8	104	7.285
-6	104	7.3183
-4	104	7.34821
-2	104	7.37739
0	104	7.41302
2	104	7.47014
4	104	7.56703
6	104	7.71856
8	104	7.92026
10	104	8.13839
12	104	8.3132
14	104	8.36329
16	104	8.21729
18	104	7.86326
20	104	7.42828
22	104	7.21637
24	104	7.47525
26	104	7.98853
28	104	8.22438
30	104	7.78517
32	104	6.71539
34	104	6.00242
36	104	6.7053
38	104	7.61245
40	104	7.32451
42	104	5.65696
44	104	4.67469
46	104	6.08273
48	104	6.68474
50	104	5.05396
52	104	3.2258505
54	104	4.91629
56	104	5.50768
58	104	3.096228
60	104	2.07605
62	104	4.45165
64	104	3.516775
66	104	-0.16916
68	104	2.63609
70	104	3.474885
72	104	-1.21961
74	104	0.29674
76	104	3.1729401
78	104	-1.17442
80	104	-2.72043
82	104	2.769081
84	104	-0.45764
86	104	-6.8573
88	104	2.346688
90	104	0.57472
92	104	-1.7563
94	104	1.92507
96	104	1.73587
98	104	-8.9382
100	104	1.45446
102	104	2.884731
104	104	-3.45801
106	104	0.88297
108	104	3.853982
110	104	0.56757
112	104	0.42809
114	104	4.43259
116	104	3.53453
118	104	1.06359
120	104	4.34604
122	104	5.55309
124	104	3.611476
126	104	3.527382
128	104	6.1419
130	104	6.50982
132	104	4.8012
134	104	4.68838
136	104	6.84675
138	104	7.7233
140	104	6.87387
142	104	5.5098
144	104	5.95131
146	104	7.49515
148	104	8.35537
150	104	8.26488
152	104	7.53705
154	104	6.75768
156	104	6.52689
158	104	6.88724
160	104	7.43582
162	104	7.8821
164	104	8.16265
166	104	8.30524
168	104	8.36386
170	104	8.3835
172	104	8.39482
174	104	8.40609
176	104	8.42209
178	104	8.43777
180	104	8.44238

-180	106	8.43571
-178	106	8.36393
-176	106	8.24375
-174	106	8.06831
-172	106	7.85078
-170	106	7.62828
-168	106	7.4979
-166	106	7.54593
-164	106	7.80628
-162	106	8.15985
-160	106	8.39021
-158	106	8.28726
-156	106	7.76095
-154	106	7.01571
-152	106	6.71534
-150	106	7.27881
-148	106	7.99188
-146	106	7.95894
-144	106	6.85623
-142	106	5.48598
-140	106	5.9173
-138	106	7.16079
-136	106	7.0372
-134	106	5.16155
-132	106	4.067035
-130	106	5.74319
-128	106	6.13601
-126	106	3.966635
-124	106	2.728642
-122	106	4.8822
-120	106	4.61208
-118	106	1.34488
-116	106	2.437871
-114	106	4.24143
-112	106	1.48164
-110	106	-0.59468
-108	106	3.2879686
-106	106	1.88551
-104	106	-4.05422
-102	106	1.98873
-100	106	2.255686
-98	106	-6.72877
-96	106	0.40498
-94	106	2.568948
-92	106	-5.72528
-90	106	-1.45705
-88	106	2.833466
-86	106	-2.67611
-84	106	-3.48139
-82	106	3.013083
-80	106	0.17401
-78	106	-4.6111
-76	106	2.998637
-74	106	2.463381
-72	106	-2.72951
-70	106	2.648746
-68	106	4.134256
-66	106	0.86512
-64	106	2.01406
-62	106	5.04756
-60	106	4.090375
-58	106	2.15283
-56	106	4.85358
-54	106	6.18792
-52	106	4.78832
-50	106	3.854706
-48	106	6.09506
-46	106	7.28025
-44	106	6.4383
-42	106	5.00275
-40	106	5.85741
-38	106	7.57835
-36	106	8.19574
-34	106	7.61458
-32	106	6.49827
-30	106	6.07414
-28	106	6.79967
-26	106	7.77751
-24	106	8.39274
-22	106	8.57592
-20	106	8.45088
-18	106	8.17119
-16	106	7.8754
-14	106	7.64065
-12	106	7.49387
-10	106	7.417
-8	106	7.39622
-6	106	7.40312
-4	106	7.43316
-2	106	7.48476
0	106	7.56408
2	106	7.67548
4	106	7.83065
6	106	8.02485
8	106	8.23447
10	106	8.41208
12	106	8.49664
14	106	8.41558
16	106	8.13243
18	106	7.6932
20	106	7.30471
22	106	7.29142
24	106	7.72398
26	106	8.21008
28	106	8.24975
30	106	7.57394
32	106	6.45484
34	106	6.12002
36	106	7.06959
38	106	7.76543
40	106	7.13015
42	106	5.3262
44	106	4.89374
46	106	6.41995
48	106	6.66784
50	106	4.73284
52	106	3.347838

54	106	5.22867
56	106	5.47329
58	106	2.830755
60	106	2.364048
62	106	4.61797
64	106	3.373581
66	106	-0.14517
68	106	2.873117
70	106	3.46524
72	106	-1.33158
74	106	0.51326
76	106	3.2274434
78	106	-1.15463
80	106	-2.65673
82	106	2.812472
84	106	-0.22735
86	106	-7.2901
88	106	2.292627
90	106	0.93589
92	106	-12.9166
94	106	1.67458
96	106	2.10787
98	106	-7.9768
100	106	0.90633
102	106	3.149409
104	106	-2.35933
106	106	0.01782
108	106	3.89893
110	106	1.44842
112	106	-0.34749
114	106	4.150548
116	106	4.094081
118	106	1.21931
120	106	3.699238
122	106	5.65678
124	106	4.30779
126	106	3.1157652
128	106	5.63775
130	106	6.73489
132	106	5.50257
134	106	4.39052
136	106	6.18214
138	106	7.66138
140	106	7.46515
142	106	6.12683
144	106	5.56124
146	106	6.77107
148	106	8.03797
150	106	8.48013
152	106	8.15468
154	106	7.42235
156	106	6.79072
158	106	6.64615
160	106	6.94553
162	106	7.39394
164	106	7.79071
166	106	8.07317
168	106	8.25527
170	106	8.35997
172	106	8.42459
174	106	8.45815
176	106	8.47227
178	106	8.46662
180	106	8.43571
-180	108	8.20515
-178	108	8.09733
-176	108	7.94144
-174	108	7.75128
-172	108	7.56681
-170	108	7.45533
-168	108	7.50043
-166	108	7.73986
-164	108	8.10397
-162	108	8.4164
-160	108	8.4827
-158	108	8.16066
-156	108	7.47374
-154	108	6.82197
-152	108	6.89661
-150	108	7.64894
-148	108	8.17473
-146	108	7.7908
-144	108	6.43833
-142	108	5.42535
-140	108	6.36226
-138	108	7.38841
-136	108	6.8178
-134	108	4.74291
-132	108	4.35466
-130	108	6.08495
-128	108	6.03204
-126	108	3.583573
-124	108	3.040059
-122	108	5.13021
-120	108	4.4389
-118	108	1.15028
-116	108	2.806057
-114	108	4.28544
-112	108	1.22248
-110	108	-0.28072
-108	108	3.427416
-106	108	1.79162
-104	108	-3.9194
-102	108	2.10953
-100	108	2.305884
-98	108	-6.53578
-96	108	0.35434
-94	108	2.679205
-92	108	-4.95863
-90	108	-1.92559
-88	108	2.901384
-86	108	-1.77043
-84	108	-4.65426
-82	108	2.922744
-80	108	0.95048
-78	108	-5.65157
-76	108	2.623042

-74	108	2.999173
-72	108	-2.26201
-70	108	1.90522
-68	108	4.3307
-66	108	1.7499
-64	108	1.20078
-62	108	4.78673
-60	108	4.69456
-58	108	2.340071
-56	108	4.121641
-54	108	6.17854
-52	108	5.49431
-50	108	3.832026
-48	108	5.33814
-46	108	7.14778
-44	108	7.04804
-42	108	5.58836
-40	108	5.24296
-38	108	6.87112
-36	108	8.08818
-34	108	8.145
-32	108	7.29937
-30	108	6.33956
-28	108	6.2617
-26	108	7.04126
-24	108	7.90154
-22	108	8.44568
-20	108	8.6461
-18	108	8.60201
-16	108	8.42775
-14	108	8.2129
-12	108	8.02251
-10	108	7.88342
-8	108	7.79867
-6	108	7.76707
-4	108	7.78144
-2	108	7.83787
0	108	7.93467
2	108	8.06845
4	108	8.23222
6	108	8.40572
8	108	8.5527
10	108	8.62307
12	108	8.55773
14	108	8.31371
16	108	7.90301
18	108	7.45025
20	108	7.2424
22	108	7.49932
24	108	8.0364
26	108	8.38215
28	108	8.14454
30	108	7.2283
32	108	6.21996
34	108	6.40306
36	108	7.45847
38	108	7.82356
40	108	6.78666
42	108	4.99585
44	108	5.26956
46	108	6.73795
48	108	6.53425
50	108	4.31787
52	108	3.611582
54	108	5.54425
56	108	5.35102
58	108	2.504604
60	108	2.739192
62	108	4.76886
64	108	3.1437432
66	108	-0.0759
68	108	3.1412432
70	108	3.417472
72	108	-1.50935
74	108	0.78214
76	108	3.2791724
78	108	-1.20214
80	108	-2.53599
82	108	2.866145
84	108	-0.02738
86	108	-7.676
88	108	2.234707
90	108	1.27568
92	108	-13.2467
94	108	1.36877
96	108	2.442336
98	108	-6.51635
100	108	0.20905
102	108	3.340948
104	108	-1.17037
106	108	-1.03325
108	108	3.814756
110	108	2.295567
112	108	-0.90669
114	108	3.673796
116	108	4.53428
118	108	1.7812
120	108	2.908331
122	108	5.55708
124	108	4.99146
126	108	3.098211
128	108	4.91965
130	108	6.71983
132	108	6.20253
134	108	4.58566
136	108	5.38004
138	108	7.2836
140	108	7.81857
142	108	6.93598
144	108	5.72601
146	108	6.02339
148	108	7.37454
150	108	8.32577
152	108	8.52485
154	108	8.12967
156	108	7.46342
158	108	6.91132

160	108	6.73438
162	108	6.90779
164	108	7.24337
166	108	7.57795
168	108	7.85079
170	108	8.04729
172	108	8.17491
174	108	8.24866
176	108	8.27737
178	108	8.26355
180	108	8.20515
-180	110	7.74645
-178	110	7.64676
-176	110	7.52395
-174	110	7.41662
-172	110	7.38094
-170	110	7.48034
-168	110	7.73759
-166	110	8.1037
-164	110	8.44379
-162	110	8.59494
-160	110	8.41478
-158	110	7.85213
-156	110	7.10738
-154	110	6.76734
-152	110	7.2595
-150	110	8.02449
-148	110	8.22016
-146	110	7.42778
-144	110	5.9614
-142	110	5.60254
-140	110	6.86405
-138	110	7.50046
-136	110	6.42429
-134	110	4.34341
-132	110	4.81659
-130	110	6.37828
-128	110	5.78852
-126	110	3.1587291
-124	110	3.483775
-122	110	5.34212
-120	110	4.153831
-118	110	1.00303
-116	110	3.2158091
-114	110	4.28411
-112	110	0.87171
-110	110	0.10856
-108	110	3.570629
-106	110	1.63613
-104	110	-3.75595
-102	110	2.259338
-100	110	2.33732
-98	110	-6.41873
-96	110	0.33053
-94	110	2.784454
-92	110	-4.26649
-90	110	-2.43643
-88	110	2.945901
-86	110	-0.93909
-84	110	-6.05069
-82	110	2.756226
-80	110	1.64742
-78	110	-6.12773
-76	110	2.0831
-74	110	3.424644
-72	110	-1.29287
-70	110	0.94683
-68	110	4.35644
-66	110	2.674402
-64	110	0.56784
-62	110	4.28466
-60	110	5.13809
-58	110	2.97
-56	110	3.302226
-54	110	5.8874
-52	110	6.06894
-50	110	4.33649
-48	110	4.53341
-46	110	6.67423
-44	110	7.39809
-42	110	6.42715
-40	110	5.18643
-38	110	5.97049
-36	110	7.56394
-34	110	8.30416
-32	110	8.03281
-30	110	7.12828
-28	110	6.34075
-26	110	6.39015
-24	110	7.10516
-22	110	7.88003
-20	110	8.41661
-18	110	8.68238
-16	110	8.74628
-14	110	8.69054
-12	110	8.58061
-10	110	8.46755
-8	110	8.37888
-6	110	8.33158
-4	110	8.32612
-2	110	8.3651
0	110	8.4412
2	110	8.54005
4	110	8.645
6	110	8.72678
8	110	8.74222
10	110	8.64815
12	110	8.40348
14	110	8.00969
16	110	7.5501
18	110	7.25036
20	110	7.36113
22	110	7.84946
24	110	8.34522
26	110	8.42909
28	110	7.86015
30	110	6.77777

32	110	6.14538
34	110	6.8523
36	110	7.80054
38	110	7.71874
40	110	6.28032
42	110	4.80114
44	110	5.78489
46	110	6.98085
48	110	6.24278
50	110	3.866678
52	110	4.041317
54	110	5.82187
56	110	5.10507
58	110	2.16876
60	110	3.19725056
62	110	4.87981
64	110	2.809079
66	110	0.08748
68	110	3.427123
70	110	3.317107
72	110	-1.7371
74	110	1.09893
76	110	3.32275
78	110	-1.3222
80	110	-2.35854
82	110	2.930064
84	110	0.14291
86	110	-8.0105
88	110	2.1735
90	110	1.59355
92	110	-12.4579
94	110	0.99852
96	110	2.732388
98	110	-4.91638
100	110	-0.67181
102	110	3.441418
104	110	-0.00944
106	110	-2.21287
108	110	3.567245
110	110	3.044314
112	110	-0.94648
114	110	2.966877
116	110	4.79992
118	110	2.624391
120	110	2.11115
122	110	5.2008
124	110	5.53852
126	110	3.58158
128	110	4.095623
130	110	6.3973
132	110	6.72768
134	110	5.26404
136	110	4.74051
138	110	6.55718
140	110	7.81669
142	110	7.63541
144	110	6.46472
146	110	5.70228
148	110	6.482
150	110	7.73484
152	110	8.4811
154	110	8.58644
156	110	8.22076
158	110	7.64031
160	110	7.11932
162	110	6.8506
164	110	6.85497
166	110	7.03359
168	110	7.26526
170	110	7.48157
172	110	7.6465
174	110	7.75519
176	110	7.80474
178	110	7.801
180	110	7.74645
-180	112	7.26839
-178	112	7.2564
-176	112	7.27101
-174	112	7.35204
-172	112	7.5387
-170	112	7.83739
-168	112	8.19682
-166	112	8.5238
-164	112	8.68629
-162	112	8.56802
-160	112	8.09944
-158	112	7.37567
-156	112	6.81709
-154	112	6.98659
-152	112	7.7438
-150	112	8.2965
-148	112	8.04897
-146	112	6.86235
-144	112	5.59409
-142	112	6.06277
-140	112	7.32489
-138	112	7.42193
-136	112	5.83493
-134	112	4.131631
-132	112	5.40376
-130	112	6.56293
-128	112	5.36811
-126	112	2.804252
-124	112	4.033729
-122	112	5.47719
-120	112	3.728853
-118	112	0.99214
-116	112	3.64391
-114	112	4.21309
-112	112	0.43292
-110	112	0.57631
-108	112	3.705051
-106	112	1.40608
-104	112	-3.53588
-102	112	2.433988
-100	112	2.346766
-98	112	-6.37877

-96	112	0.3348
-94	112	2.884944
-92	112	-3.6415
-90	112	-2.99343
-88	112	2.964222
-86	112	-0.18094
-84	112	-7.6497
-82	112	2.498424
-80	112	2.253433
-78	112	-5.63082
-76	112	1.34021
-74	112	3.71407
-72	112	-0.07628
-70	112	-0.18809
-68	112	4.168322
-66	112	3.508748
-64	112	0.45733
-62	112	3.511879
-60	112	5.34533
-58	112	3.84291
-56	112	2.677282
-54	112	5.27418
-52	112	6.38027
-50	112	5.16842
-48	112	4.063591
-46	112	5.85598
-44	112	7.35952
-42	112	7.1764
-40	112	5.84126
-38	112	5.31648
-36	112	6.64087
-34	112	7.97095
-32	112	8.39968
-30	112	7.9857
-28	112	7.11427
-26	112	6.41548
-24	112	6.41973
-22	112	6.99991
-20	112	7.70059
-18	112	8.25381
-16	112	8.60239
-14	112	8.78409
-12	112	8.84907
-10	112	8.85405
-8	112	8.83155
-6	112	8.81174
-4	112	8.80727
-2	112	8.81908
0	112	8.84458
2	112	8.8643
4	112	8.85969
6	112	8.79696
8	112	8.64358
10	112	8.37261
12	112	7.97937
14	112	7.54344
16	112	7.23563
18	112	7.28643
20	112	7.72155
22	112	8.26651
24	112	8.53921
26	112	8.25372
28	112	7.35901
30	112	6.34969
32	112	6.37518
34	112	7.39327
36	112	8.0007
38	112	7.38202
40	112	5.64798
42	112	4.90827
44	112	6.36274
46	112	7.08168
48	112	5.75525
50	112	3.512646
52	112	4.60675
54	112	6.01083
56	112	4.70137
58	112	1.92413
60	112	3.715035
62	112	4.91948
64	112	2.354919
66	112	0.39085
68	112	3.71272
70	112	3.1458823
72	112	-1.9826
74	112	1.45666
76	112	3.350752
78	112	-1.52167
80	112	-2.12493
82	112	3.003411
84	112	0.28363
86	112	-8.2926
88	112	2.10938
90	112	1.88901
92	112	-10.945
94	112	0.5529
96	112	2.97144
98	112	-3.37887
100	112	-1.77599
102	112	3.43145
104	112	1.05163
106	112	-3.29268
108	112	3.1170874
110	112	3.644182
112	112	-0.32358
114	112	2.01888
116	112	4.83677
118	112	3.538738
120	112	1.61968
122	112	4.54839
124	112	5.84251
126	112	4.39996
128	112	3.470415
130	112	5.7298
132	112	6.93658
134	112	6.12587
136	112	4.71718

138	112	5.59662
140	112	7.35671
142	112	7.98122
144	112	7.36798
146	112	6.19375
148	112	5.83995
150	112	6.77625
152	112	7.90278
154	112	8.55743
156	112	8.68139
158	112	8.41106
160	112	7.94104
162	112	7.45762
164	112	7.10478
166	112	6.9368
168	112	6.9216
170	112	6.99752
172	112	7.09641
174	112	7.18565
176	112	7.24566
178	112	7.26976
180	112	7.26839
-180	114	7.24746
-178	114	7.36497
-176	114	7.54124
-174	114	7.78671
-172	114	8.09063
-170	114	8.41101
-168	114	8.67094
-166	114	8.78221
-164	114	8.64947
-162	114	8.21519
-160	114	7.52963
-158	114	6.90025
-156	114	6.85034
-154	114	7.49248
-152	114	8.20661
-150	114	8.33988
-148	114	7.57911
-146	114	6.16779
-144	114	5.59207
-142	114	6.7131
-140	114	7.63017
-138	114	7.07926
-136	114	5.09649
-134	114	4.29882
-132	114	6.01338
-130	114	6.56981
-128	114	4.74747
-126	114	2.69256
-124	114	4.62583
-122	114	5.48776
-120	114	3.1498798
-118	114	1.20956
-116	114	4.060428
-114	114	4.04347
-112	114	-0.06808
-110	114	1.11404
-108	114	3.815212
-106	114	1.08607
-104	114	-3.2295
-102	114	2.627739
-100	114	2.329691
-98	114	-6.41533
-96	114	0.36779
-94	114	2.98066
-92	114	-3.07715
-90	114	-3.6007
-88	114	2.953598
-86	114	0.50582
-84	114	-9.2464
-82	114	2.13138
-80	114	2.758633
-78	114	-4.31086
-76	114	0.35043
-74	114	3.840709
-72	114	1.15044
-70	114	-1.30057
-68	114	3.718603
-66	114	4.159367
-64	114	1.05021
-62	114	2.49877
-60	114	5.24724
-58	114	4.69223
-56	114	2.648846
-54	114	4.36147
-52	114	6.32435
-50	114	5.98163
-48	114	4.33494
-46	114	4.86297
-44	114	6.83904
-42	114	7.55944
-40	114	6.79715
-38	114	5.51386
-36	114	5.65626
-34	114	7.09178
-32	114	8.19221
-30	114	8.47261
-28	114	8.0512
-26	114	7.25458
-24	114	6.56455
-22	114	6.40236
-20	114	6.7634
-18	114	7.3426
-16	114	7.88558
-14	114	8.29713
-12	114	8.57265
-10	114	8.74377
-8	114	8.83709
-6	114	8.88447
-4	114	8.9022
-2	114	8.89665
0	114	8.8644
2	114	8.7909
4	114	8.66001
6	114	8.45108
8	114	8.15168

10	114	7.77753
12	114	7.39529
14	114	7.16396
16	114	7.25195
18	114	7.68053
20	114	8.23016
22	114	8.58462
24	114	8.4733
26	114	7.7809
28	114	6.72538
30	114	6.20615
32	114	6.91755
34	114	7.87343
36	114	7.95431
38	114	6.77565
40	114	5.07591
42	114	5.39225
44	114	6.88245
46	114	6.95954
48	114	5.06317
50	114	3.454966
52	114	5.22655
54	114	6.05385
56	114	4.116482
58	114	1.913
60	114	4.24406
62	114	4.85002
64	114	1.78022
66	114	0.85913
68	114	3.975305
70	114	2.88185
72	114	-2.18859
74	114	1.84505
76	114	3.35381
78	114	-1.80884
80	114	-1.83614
82	114	3.08453
84	114	0.39424
86	114	-8.5245
88	114	2.04266
90	114	2.16173
92	114	-9.2384
94	114	0.01892
96	114	3.1528673
98	114	-1.98219
100	114	-3.13904
102	114	3.2890728
104	114	1.97237
106	114	-3.77662
108	114	2.419303
110	114	4.053315
112	114	0.76419
114	114	0.90433
116	114	4.59109
118	114	4.3361
120	114	1.78771
122	114	3.616952
124	114	5.81332
126	114	5.24632
128	114	3.475486
130	114	4.77406
132	114	6.72361
134	114	6.81945
136	114	5.42702
138	114	4.85534
140	114	6.43565
142	114	7.80858
144	114	7.99262
146	114	7.17505
148	114	6.10506
150	114	5.95786
152	114	6.87367
154	114	7.91204
156	114	8.56505
158	114	8.78214
160	114	8.65851
162	114	8.33807
164	114	7.94858
166	114	7.59222
168	114	7.32871
170	114	7.17314
172	114	7.10237
174	114	7.0916
176	114	7.11736
178	114	7.16854
180	114	7.24746
-180	116	7.91613
-178	116	8.07373
-176	116	8.27637
-174	116	8.50222
-172	116	8.71281
-170	116	8.85258
-168	116	8.85157
-166	116	8.64381
-164	116	8.18765
-162	116	7.52651
-160	116	6.9116
-158	116	6.7898
-156	116	7.33749
-154	116	8.0934
-152	116	8.44286
-150	116	8.02185
-148	116	6.80889
-146	116	5.63999
-144	116	6.08885
-142	116	7.34706
-140	116	7.65728
-138	116	6.42034
-136	116	4.42713
-134	116	4.88676
-132	116	6.51594
-130	116	6.32206
-128	116	3.955055
-126	116	2.976874
-124	116	5.17533
-122	116	5.32129
-120	116	2.43633

-118	116	1.69525
-116	116	4.42292
-114	116	3.740692
-112	116	-0.56228
-110	116	1.70141
-108	116	3.882804
-106	116	0.6584
-104	116	-2.81318
-102	116	2.833313
-100	116	2.280523
-98	116	-6.52551
-96	116	0.42935
-94	116	3.071424
-92	116	-2.56773
-90	116	-4.26268
-88	116	2.911022
-86	116	1.12275
-84	116	-10.1983
-82	116	1.63331
-80	116	3.1532921
-78	116	-2.67514
-76	116	-0.9253
-74	116	3.774553
-72	116	2.241809
-70	116	-1.90327
-68	116	2.95729
-66	116	4.55543
-64	116	2.11233
-62	116	1.45068
-60	116	4.78157
-58	116	5.31154
-56	116	3.335545
-54	116	3.361926
-52	116	5.8222
-50	116	6.49364
-48	116	5.21826
-46	116	4.24228
-44	116	5.85479
-42	116	7.39818
-40	116	7.52259
-38	116	6.47117
-36	116	5.42269
-34	116	5.93936
-32	116	7.32476
-30	116	8.2979
-28	116	8.56251
-26	116	8.231
-24	116	7.54772
-22	116	6.85072
-20	116	6.46597
-18	116	6.51327
-16	116	6.8556
-14	116	7.2871
-12	116	7.68075
-10	116	7.98793
-8	116	8.19973
-6	116	8.32889
-4	116	8.38662
-2	116	8.37939
0	116	8.30765
2	116	8.16741
4	116	7.95676
6	116	7.68421
8	116	7.38536
10	116	7.14173
12	116	7.07394
14	116	7.28652
16	116	7.75178
18	116	8.28228
20	116	8.63391
22	116	8.59041
24	116	8.02651
26	116	7.0386
28	116	6.25064
30	116	6.56883
32	116	7.58582
34	116	8.12553
36	116	7.55759
38	116	5.93206
40	116	4.8998
42	116	6.12746
44	116	7.21573
46	116	6.54274
48	116	4.25417
50	116	3.83972
52	116	5.79104
54	116	5.88732
56	116	3.367093
58	116	2.246089
60	116	4.7245
62	116	4.62864
64	116	1.12398
66	116	1.47773
68	116	4.189568
70	116	2.499669
72	116	-2.27018
74	116	2.2504
76	116	3.320631
78	116	-2.19225
80	116	-1.49473
82	116	3.1710829
84	116	0.47386
86	116	-8.7114
88	116	1.97346
90	116	2.411362
92	116	-7.6074
94	116	-0.61956
96	116	3.2697335
98	116	-0.74745
100	116	-4.74764
102	116	2.988296
104	116	2.728971
106	116	-3.22506
108	116	1.42732
110	116	4.23274
112	116	1.97846
114	116	-0.08098

116	116	4.008274
118	116	4.88371
120	116	2.612033
122	116	2.587732
124	116	5.38147
126	116	5.85813
128	116	4.199856
130	116	3.851385
132	116	6.02558
134	116	7.09384
136	116	6.40055
138	116	4.99768
140	116	5.33581
142	116	7.02177
144	116	8.04401
146	116	7.98968
148	116	7.12278
150	116	6.13725
152	116	5.98748
154	116	6.77277
156	116	7.74527
158	116	8.44964
160	116	8.80259
162	116	8.86734
164	116	8.74053
166	116	8.51315
168	116	8.26331
170	116	8.0449
172	116	7.88439
174	116	7.79316
176	116	7.77088
178	116	7.81334
180	116	7.91613
-180	118	8.74891
-178	118	8.82768
-176	118	8.90929
-174	118	8.96063
-172	118	8.93877
-170	118	8.79449
-168	118	8.47723
-166	118	7.96939
-164	118	7.34003
-162	118	6.81418
-160	118	6.76246
-158	118	7.29656
-156	118	8.04198
-154	118	8.47767
-152	118	8.25911
-150	118	7.27462
-148	118	5.94844
-146	118	5.71677
-144	118	6.88599
-142	118	7.74717
-140	118	7.29284
-138	118	5.47102
-136	118	4.22962
-134	118	5.70147
-132	118	6.78488
-130	118	5.75785
-128	118	3.1649651
-126	118	3.648681
-124	118	5.59162
-122	118	4.92144
-120	118	1.69198
-118	118	2.400015
-116	118	4.68647
-114	118	3.2683027
-112	118	-0.91387
-110	118	2.308099
-108	118	3.887178
-106	118	0.10466
-104	118	-2.27718
-102	118	3.04198
-100	118	2.19235
-98	118	-6.70222
-96	118	0.51851
-94	118	3.1568028
-92	118	-2.10827
-90	118	-4.98386
-88	118	2.833396
-86	118	1.67132
-84	118	-9.7125
-82	118	0.97699
-80	118	3.427187
-78	118	-1.08132
-76	118	-2.47384
-74	118	3.47981
-72	118	3.1226021
-70	118	-1.48473
-68	118	1.84917
-66	118	4.63895
-64	118	3.2465854
-62	118	0.88382
-60	118	3.908911
-58	118	5.56186
-56	118	4.35873
-54	118	2.833505
-52	118	4.86545
-50	118	6.52487
-48	118	6.15443
-46	118	4.59862
-44	118	4.73292
-42	118	6.59866
-40	118	7.67062
-38	118	7.4338
-36	118	6.29213
-34	118	5.43819
-32	118	6.0539
-30	118	7.35526
-28	118	8.3
-26	118	8.64908
-24	118	8.48346
-22	118	7.97578
-20	118	7.34641
-18	118	6.81385
-16	118	6.5304
-14	118	6.51112

-12	118	6.66814
-10	118	6.88932
-8	118	7.0944
-6	118	7.24842
-4	118	7.3345
-2	118	7.34919
0	118	7.29723
2	118	7.19131
4	118	7.06104
6	118	6.95712
8	118	6.9529
10	118	7.12181
12	118	7.4833
14	118	7.97085
16	118	8.44184
18	118	8.71619
20	118	8.64346
22	118	8.11491
24	118	7.1919
26	118	6.33118
28	118	6.38134
30	118	7.31396
32	118	8.09155
34	118	7.97914
36	118	6.75876
38	118	5.1402
40	118	5.36164
42	118	6.85318
44	118	7.23338
46	118	5.78211
48	118	3.617396
50	118	4.5889
52	118	6.18329
54	118	5.44426
56	118	2.567973
58	118	2.90704
60	118	5.09077
62	118	4.2094
64	118	0.50257
66	118	2.19138
68	118	4.32234
70	118	1.97123
72	118	-2.13
74	118	2.655922
76	118	3.2376591
78	118	-2.67855
80	118	-1.10524
82	118	3.2599463
84	118	0.52102
86	118	-8.8605
88	118	1.90176
90	118	2.637701
92	118	-6.13372
94	118	-1.38255
96	118	3.314768
98	118	0.32585
100	118	-6.38117
102	118	2.497212
104	118	3.304642
106	118	-1.86035
108	118	0.11634
110	118	4.140575
112	118	3.064776
114	118	-0.35643
116	118	3.049582
118	118	5.08886
120	118	3.693446
122	118	1.96031
124	118	4.51091
126	118	6.05951
128	118	5.19747
130	118	3.626536
132	118	4.92105
134	118	6.79511
136	118	7.09297
138	118	5.96483
140	118	4.89113
142	118	5.79062
144	118	7.36965
146	118	8.17821
148	118	8.04655
150	118	7.22977
152	118	6.2809
154	118	5.95912
156	118	6.48932
158	118	7.35813
160	118	8.11847
162	118	8.62009
164	118	8.88365
166	118	8.96555
168	118	8.93962
170	118	8.861
172	118	8.77159
174	118	8.70574
176	118	8.6785
178	118	8.69439
180	118	8.74891
-180	120	9.02278
-178	120	8.97761
-176	120	8.88438
-174	120	8.7143
-172	120	8.4349
-170	120	8.0268
-168	120	7.50641
-166	120	6.96959
-164	120	6.65091
-162	120	6.79582
-160	120	7.39156
-158	120	8.09754
-156	120	8.51743
-154	120	8.36723
-152	120	7.5284
-150	120	6.23317
-148	120	5.59436
-146	120	6.47188
-144	120	7.59094
-142	120	7.71517

-140	120	6.46442
-138	120	4.53479
-136	120	4.76645
-134	120	6.44888
-132	120	6.70054
-130	120	4.84903
-128	120	2.765526
-126	120	4.50517
-124	120	5.78334
-122	120	4.23598
-120	120	1.1667
-118	120	3.20435026
-116	120	4.80231
-114	120	2.59083
-112	120	-0.93987
-110	120	2.894729
-108	120	3.803438
-106	120	-0.59004
-104	120	-1.6308
-102	120	3.2437897
-100	120	2.05699
-98	120	-6.9313
-96	120	0.63373
-94	120	3.2362327
-92	120	-1.69456
-90	120	-5.76775
-88	120	2.717471
-86	120	2.15247
-84	120	-8.0384
-82	120	0.12745
-80	120	3.568506
-78	120	0.32422
-76	120	-4.06115
-74	120	2.911967
-72	120	3.750197
-70	120	-0.21018
-68	120	0.44528
-66	120	4.35133
-64	120	4.169603
-62	120	1.31053
-60	120	2.68892
-58	120	5.34279
-56	120	5.2455
-54	120	3.2922395
-52	120	3.677672
-50	120	5.96604
-48	120	6.6869
-46	120	5.65031
-44	120	4.36633
-42	120	5.32446
-40	120	7.06582
-38	120	7.80879
-36	120	7.40412
-34	120	6.27751
-32	120	5.47656
-30	120	5.97633
-28	120	7.17164
-26	120	8.15348
-24	120	8.659
-22	120	8.72023
-20	120	8.46026
-18	120	8.01717
-16	120	7.52672
-14	120	7.10299
-12	120	6.81352
-10	120	6.65765
-8	120	6.60774
-6	120	6.61787
-4	120	6.65153
-2	120	6.69347
0	120	6.74499
2	120	6.82225
4	120	6.95876
6	120	7.18584
8	120	7.51518
10	120	7.92399
12	120	8.34526
14	120	8.67234
16	120	8.79894
18	120	8.61208
20	120	8.04346
22	120	7.15179
24	120	6.33149
26	120	6.30333
28	120	7.1491
30	120	8.01146
32	120	8.1695
34	120	7.31744
36	120	5.68768
38	120	4.97205
40	120	6.24883
42	120	7.3158
44	120	6.82364
46	120	4.73045
48	120	3.599182
50	120	5.44132
52	120	6.2945
54	120	4.67798
56	120	2.02204
58	120	3.743781
60	120	5.2759
62	120	3.548526
64	120	0.14224
66	120	2.924427
68	120	4.33849
70	120	1.27012
72	120	-1.70227
74	120	3.043951
76	120	3.089076
78	120	-3.26765
80	120	-0.67444
82	120	3.347349
84	120	0.53386
86	120	-8.9795
88	120	1.82752
90	120	2.84053
92	120	-4.82509

94	120	-2.295
96	120	3.279821
98	120	1.24385
100	120	-7.3035
102	120	1.7751
104	120	3.683516
106	120	-0.2571
108	120	-1.42208
110	120	3.726692
112	120	3.88717
114	120	0.40696
116	120	1.7596
118	120	4.87519
120	120	4.63063
122	120	2.29347
124	120	3.311245
126	120	5.73547
128	120	5.96782
130	120	4.38391
132	120	3.894104
134	120	5.86522
136	120	7.17756
138	120	6.95449
140	120	5.66541
142	120	4.94608
144	120	6.0613
146	120	7.52481
148	120	8.26075
150	120	8.1833
152	120	7.49635
154	120	6.58722
156	120	6.01363
158	120	6.13312
160	120	6.75224
162	120	7.47469
164	120	8.07558
166	120	8.49936
168	120	8.77078
170	120	8.92046
172	120	8.99661
174	120	9.03013
176	120	9.04039
178	120	9.03867
180	120	9.02278
-180	122	8.31635
-178	122	8.16769
-176	122	7.93638
-174	122	7.6172
-172	122	7.22859
-170	122	6.83453
-168	122	6.56824
-166	122	6.59719
-164	122	7.00495
-162	122	7.65508
-160	122	8.26787
-158	122	8.57874
-156	122	8.38098
-154	122	7.58305
-152	122	6.355
-150	122	5.57671
-148	122	6.20659
-146	122	7.38726
-144	122	7.86174
-142	122	7.11268
-140	122	5.26752
-138	122	4.27784
-136	122	5.74316
-134	122	6.87775
-132	122	6.16104
-130	122	3.71365
-128	122	3.1258267
-126	122	5.29377
-124	122	5.66401
-122	122	3.2534819
-120	122	1.20221
-118	122	3.974368
-116	122	4.71798
-114	122	1.68816
-112	122	-0.5143
-110	122	3.42177
-108	122	3.602523
-106	122	-1.42572
-104	122	-0.89954
-102	122	3.42771
-100	122	1.86493
-98	122	-7.1877
-96	122	0.77254
-94	122	3.309048
-92	122	-1.32292
-90	122	-6.61599
-88	122	2.559632
-86	122	2.566646
-84	122	-6.03963
-82	122	-0.96057
-80	122	3.562767
-78	122	1.49917
-76	122	-4.91493
-74	122	2.01423
-72	122	4.092872
-70	122	1.30252
-68	122	-0.89662
-66	122	3.629319
-64	122	4.72867
-62	122	2.494799
-60	122	1.51309
-58	122	4.58393
-56	122	5.70086
-54	122	4.39748
-52	122	3.005082
-50	122	4.82176
-48	122	6.56653
-46	122	6.57202
-44	122	5.22662
-42	122	4.41429
-40	122	5.7555
-38	122	7.31942
-36	122	7.90432

-34	122	7.48789
-32	122	6.43301
-30	122	5.55675
-28	122	5.7437
-26	122	6.74551
-24	122	7.76755
-22	122	8.4586
-20	122	8.78094
-18	122	8.81497
-16	122	8.64901
-14	122	8.37741
-12	122	8.0817
-10	122	7.81251
-8	122	7.60894
-6	122	7.48438
-4	122	7.43928
-2	122	7.46881
0	122	7.57163
2	122	7.73995
4	122	7.97007
6	122	8.24078
8	122	8.51749
10	122	8.74662
12	122	8.85928
14	122	8.77134
16	122	8.41794
18	122	7.76285
20	122	6.89965
22	122	6.22125
24	122	6.30088
26	122	7.12726
28	122	7.98198
30	122	8.24794
32	122	7.62589
34	122	6.15825
36	122	4.95073
38	122	5.68924
40	122	7.07528
42	122	7.30938
44	122	5.91463
46	122	3.758918
48	122	4.33509
50	122	6.12142
52	122	6.02366
54	122	3.608981
56	122	2.1217
58	122	4.55129
60	122	5.2091
62	122	2.621131
64	122	0.29863
66	122	3.598421
68	122	4.198529
70	122	0.38407
72	122	-0.99862
74	122	3.392743
76	122	2.857105
78	122	-3.94233
80	122	-0.21171
82	122	3.429035
84	122	0.51015
86	122	-9.0761
88	122	1.75045
90	122	3.019682
92	122	-3.66746
94	122	-3.38785
96	122	3.1555618
98	122	2.01306
100	122	-6.65184
102	122	0.76958
104	122	3.847821
106	122	1.21535
108	122	-2.71321
110	122	2.931762
112	122	4.37208
114	122	1.76234
116	122	0.47741
118	122	4.172781
120	122	5.18277
122	122	3.391485
124	122	2.303413
126	122	4.82843
128	122	6.21397
130	122	5.49083
132	122	3.885767
134	122	4.54044
136	122	6.49675
138	122	7.3469
140	122	6.8353
142	122	5.53371
144	122	5.00091
146	122	6.10705
148	122	7.49982
150	122	8.28131
152	122	8.36452
154	122	7.89201
156	122	7.11055
158	122	6.36783
160	122	6.00699
162	122	6.13833
164	122	6.58055
166	122	7.10055
168	122	7.56485
170	122	7.91773
172	122	8.16357
174	122	8.3156
176	122	8.38736
178	122	8.38646
180	122	8.31635
-180	124	6.81619
-178	124	6.69783
-176	124	6.54859
-174	124	6.41873
-172	124	6.39188
-170	124	6.55291
-168	124	6.94119
-166	124	7.49708
-164	124	8.07638

-162	124	8.5054
-160	124	8.61274
-158	124	8.27611
-156	124	7.43034
-154	124	6.26614
-152	124	5.54838
-150	124	6.10223
-148	124	7.25801
-146	124	7.89052
-144	124	7.46438
-142	124	5.9041
-140	124	4.31154
-138	124	5.04827
-136	124	6.61294
-134	124	6.8005
-132	124	5.11225
-130	124	2.857746
-128	124	4.095783
-126	124	5.8108
-124	124	5.14853
-122	124	2.09301
-120	124	1.90487
-118	124	4.5858
-116	124	4.375
-114	124	0.59879
-112	124	0.31354
-110	124	3.850069
-108	124	3.2513513
-106	124	-2.35925
-104	124	-0.12123
-102	124	3.582264
-100	124	1.60479
-98	124	-7.4294
-96	124	0.93206
-94	124	3.374444
-92	124	-0.59022
-90	124	-7.5248
-88	124	2.356047
-86	124	2.913887
-84	124	-4.17084
-82	124	-2.34324
-80	124	3.392036
-78	124	2.437461
-76	124	-4.19145
-74	124	0.72152
-72	124	4.11759
-70	124	2.634263
-68	124	-1.29121
-66	124	2.421252
-64	124	4.83169
-62	124	3.754889
-60	124	1.25974
-58	124	3.301548
-56	124	5.56174
-54	124	5.40476
-52	124	3.584104
-50	124	3.50792
-48	124	5.68344
-46	124	6.8356
-44	124	6.39466
-42	124	4.97423
-40	124	4.5257
-38	124	5.95388
-36	124	7.4088
-34	124	7.98734
-32	124	7.68699
-30	124	6.77466
-28	124	5.79966
-26	124	5.51264
-24	124	6.10685
-22	124	7.04811
-20	124	7.87412
-18	124	8.44589
-16	124	8.76538
-14	124	8.89767
-12	124	8.90468
-10	124	8.84377
-8	124	8.76351
-6	124	8.69565
-4	124	8.66226
-2	124	8.66757
0	124	8.71424
2	124	8.78543
4	124	8.86436
6	124	8.91453
8	124	8.89682
10	124	8.75867
12	124	8.44794
14	124	7.92258
16	124	7.20267
18	124	6.45715
20	124	6.07476
22	124	6.41681
24	124	7.26895
26	124	8.04592
28	124	8.28368
30	124	7.74355
32	124	6.41391
34	124	5.05709
36	124	5.3454
38	124	6.7542
40	124	7.44523
42	124	6.69267
44	124	4.6121
46	124	3.615371
48	124	5.38418
50	124	6.42147
52	124	5.28457
54	124	2.483237
56	124	2.924811
58	124	5.1592
60	124	4.81822
62	124	1.49024
64	124	1.02385
66	124	4.144237
68	124	3.857332
70	124	-0.65105

72	124	-0.10499
74	124	3.679508
76	124	2.519609
78	124	-4.64865
80	124	0.2719
82	124	3.50018
84	124	0.44708
86	124	-9.1558
88	124	1.67036
90	124	3.1750398
92	124	-2.64289
94	124	-4.6963
96	124	2.931103
98	124	2.638209
100	124	-4.83613
102	124	-0.58298
104	124	3.773014
106	124	2.415124
108	124	-2.79157
110	124	1.69466
112	124	4.46519
114	124	3.096355
116	124	0.05982
118	124	2.951279
120	124	5.21492
122	124	4.54492
124	124	2.385727
126	124	3.466224
128	124	5.77528
130	124	6.23373
132	124	4.95801
134	124	3.793571
136	124	5.12443
138	124	6.86297
140	124	7.43893
142	124	6.82218
144	124	5.56443
146	124	4.99524
148	124	5.9158
150	124	7.26124
152	124	8.16925
154	124	8.4941
156	124	8.31687
158	124	7.79776
160	124	7.12393
162	124	6.51087
164	124	6.12694
166	124	6.02742
168	124	6.14201
170	124	6.35579
172	124	6.57597
174	124	6.74792
176	124	6.84954
178	124	6.86973
180	124	6.81619
-180	126	6.31206
-178	126	6.43026
-176	126	6.62375
-174	126	6.91162
-172	126	7.29287
-170	126	7.73733
-168	126	8.17831
-166	126	8.51973
-164	126	8.65981
-162	126	8.50147
-160	126	7.95749
-158	126	7.0272
-156	126	5.96575
-154	126	5.50019
-152	126	6.15915
-150	126	7.26388
-148	126	7.90333
-146	126	7.62077
-144	126	6.28692
-142	126	4.54793
-140	126	4.58785
-138	126	6.19573
-136	126	6.98182
-134	126	6.086
-132	126	3.715574
-130	126	3.038474
-128	126	5.14432
-126	126	5.90517
-124	126	4.169021
-122	126	1.20161
-120	126	2.979815
-118	126	4.94284
-116	126	3.709282
-114	126	-0.46896
-112	126	1.35238
-110	126	4.141322
-108	126	2.711054
-106	126	-3.24807
-104	126	0.66318
-102	126	3.695314
-100	126	1.2633
-98	126	-7.5954
-96	126	1.10887
-94	126	3.431582
-92	126	-0.69375
-90	126	-8.4801
-88	126	2.10246
-86	126	3.19357033
-84	126	-2.54555
-82	126	-4.07436
-80	126	3.03261
-78	126	3.140996
-76	126	-2.38602
-74	126	-1.00161
-72	126	3.780676
-70	126	3.616051
-68	126	-0.24137
-66	126	0.79228
-64	126	4.40008
-62	126	4.65165
-60	126	2.276891
-58	126	1.87617

-56	126	4.73044
-54	126	5.85312
-52	126	4.83562
-50	126	3.1868652
-48	126	4.20321
-46	126	6.21283
-44	126	6.95067
-42	126	6.28457
-40	126	4.89671
-38	126	4.55662
-36	126	5.90462
-34	126	7.3319
-32	126	8.02503
-30	126	7.95076
-28	126	7.28568
-26	126	6.34636
-24	126	5.62221
-22	126	5.54323
-20	126	6.06337
-18	126	6.80661
-16	126	7.49123
-14	126	8.02092
-12	126	8.38778
-10	126	8.61968
-8	126	8.75817
-6	126	8.83394
-4	126	8.86568
-2	126	8.86619
0	126	8.83694
2	126	8.76408
4	126	8.63219
6	126	8.41368
8	126	8.07829
10	126	7.60845
12	126	7.01912
14	126	6.40718
16	126	6.01093
18	126	6.11798
20	126	6.75296
22	126	7.58033
24	126	8.18931
26	126	8.28413
28	126	7.69448
30	126	6.42468
32	126	5.09592
34	126	5.17799
36	126	6.51067
38	126	7.42644
40	126	7.10935
42	126	5.41725
44	126	3.587593
46	126	4.53709
48	126	6.21299
50	126	6.18805
52	126	4.058214
54	126	1.97318
56	126	4.023048
58	126	5.44039
60	126	4.031782
62	126	0.45064
64	126	2.07823
66	126	4.49773
68	126	3.2637704
70	126	-1.67124
72	126	0.86242
74	126	3.881122
76	126	2.05024
78	126	-5.2663
80	126	0.76414
82	126	3.555667
84	126	0.34146
86	126	-9.2224
88	126	1.58698
90	126	3.306491
92	126	-1.73496
94	126	-6.24831
96	126	2.593215
98	126	3.1214956
100	126	-2.81439
102	126	-2.33587
104	126	3.425336
106	126	3.2991999
108	126	-1.43634
110	126	0.01646
112	126	4.109083
114	126	4.080819
116	126	1.01367
118	126	1.38926
120	126	4.63127
122	126	5.27108
124	126	3.547629
126	126	2.385649
128	126	4.60683
130	126	6.24721
132	126	6.05901
134	126	4.56274
136	126	3.909518
138	126	5.48211
140	126	7.04394
142	126	7.52285
144	126	6.95141
146	126	5.77033
148	126	4.99071
150	126	5.51345
152	126	6.74271
154	126	7.79807
156	126	8.40458
158	126	8.57836
160	126	8.42004
162	126	8.04459
164	126	7.56723
166	126	7.09724
168	126	6.70973
170	126	6.43878
172	126	6.28452
174	126	6.21963
176	126	6.21126

178	126	6.24242
180	126	6.31206
-180	128	7.76787
-178	128	7.91243
-176	128	8.10732
-174	128	8.32665
-172	128	8.53145
-170	128	8.66927
-168	128	8.67969
-166	128	8.49259
-164	128	8.03886
-162	128	7.29274
-160	128	6.33984
-158	128	5.55403
-156	128	5.55474
-154	128	6.41016
-152	128	7.4199
-150	128	7.93739
-148	128	7.64045
-146	128	6.40889
-144	128	4.70511
-142	128	4.36385
-140	128	5.83325
-138	128	6.93832
-136	128	6.61477
-134	128	4.70178
-132	128	2.776946
-130	128	4.169688
-128	128	5.84682
-126	128	5.45629
-124	128	2.763925
-122	128	1.29026
-120	128	4.029881
-118	128	4.96361
-116	128	2.661397
-114	128	-1.0165
-112	128	2.392886
-110	128	4.25849
-108	128	1.93553
-106	128	-3.79222
-104	128	1.41672
-102	128	3.752225
-100	128	0.82506
-98	128	-7.6107
-96	128	1.29917
-94	128	3.479598
-92	128	-0.43115
-90	128	-9.4477
-88	128	1.79409
-86	128	3.40471
-84	128	-1.16336
-82	128	-6.12131
-80	128	2.4535
-78	128	3.608555
-76	128	-0.46312
-74	128	-2.96203
-72	128	3.021191
-70	128	4.186201
-68	128	1.4433
-66	128	-0.69168
-64	128	3.356965
-62	128	4.99063
-60	128	3.699909
-58	128	1.44254
-56	128	3.2488499
-54	128	5.52867
-52	128	5.76852
-50	128	4.29616
-48	128	3.1766827
-46	128	4.73012
-44	128	6.50099
-42	128	7.02179
-40	128	6.31352
-38	128	4.97734
-36	128	4.48557
-34	128	5.59619
-32	128	7.02832
-30	128	7.91812
-28	128	8.15994
-26	128	7.85019
-24	128	7.17066
-22	128	6.35924
-20	128	5.71953
-18	128	5.48154
-16	128	5.65308
-14	128	6.05927
-12	128	6.51469
-10	128	6.91574
-8	128	7.22291
-6	128	7.42664
-4	128	7.53254
-2	128	7.54641
0	128	7.47031
2	128	7.3006
4	128	7.04028
6	128	6.70022
8	128	6.3191
10	128	5.98707
12	128	5.85442
14	128	6.0642
16	128	6.62165
18	128	7.35201
20	128	7.99884
22	128	8.33185
24	128	8.18702
26	128	7.4455
28	128	6.17571
30	128	4.99644
32	128	5.15166
34	128	6.42505
36	128	7.39037
38	128	7.29953
40	128	5.93689
42	128	3.917611
44	128	3.919927
46	128	5.7369
48	128	6.48865

50	128	5.30679
52	128	2.613796
54	128	2.624122
56	128	4.96416
58	128	5.28672
60	128	2.806305
62	128	0.12619
64	128	3.1493824
66	128	4.59888
68	128	2.359778
70	128	-2.28666
72	128	1.80031
74	128	3.973124
76	128	1.41765
78	128	-5.59506
80	128	1.25333
82	128	3.590034
84	128	0.18954
86	128	-9.2768
88	128	1.50004
90	128	3.413976
92	128	-0.92981
94	128	-8.0156
96	128	2.12544
98	128	3.462488
100	128	-1.01543
102	128	-4.39981
104	128	2.757888
106	128	3.851947
108	128	0.3969
110	128	-1.75506
112	128	3.2301014
114	128	4.58133
116	128	2.562133
118	128	0.3342
120	128	3.374827
122	128	5.34263
124	128	4.79384
126	128	2.75376
128	128	3.045712
130	128	5.37528
132	128	6.44488
134	128	5.87778
136	128	4.36343
138	128	4.005971
140	128	5.58826
142	128	7.07361
144	128	7.6069
146	128	7.21357
148	128	6.18698
150	128	5.1755
152	128	5.06747
154	128	5.92457
156	128	7.01878
158	128	7.87645
160	128	8.40249
162	128	8.62948
164	128	8.63632
166	128	8.50288
168	128	8.29473
170	128	8.07317
172	128	7.88158
174	128	7.74462
176	128	7.67773
178	128	7.68612
180	128	7.76787
-180	130	8.72999
-178	130	8.73057
-176	130	8.70709
-174	130	8.63041
-172	130	8.463
-170	130	8.16207
-168	130	7.68762
-166	130	7.02339
-164	130	6.22616
-162	130	5.5348
-160	130	5.36303
-158	130	5.92602
-156	130	6.88017
-154	130	7.68302
-152	130	7.96378
-150	130	7.5148
-148	130	6.27052
-146	130	4.66173
-144	130	4.28225
-142	130	5.63524
-140	130	6.84903
-138	130	6.85604
-136	130	5.38681
-134	130	3.1246073
-132	130	3.340253
-130	130	5.36352
-128	130	5.95948
-126	130	4.36568
-124	130	1.37929
-122	130	2.390293
-120	130	4.78073
-118	130	4.56428
-116	130	1.22493
-114	130	-0.55872
-112	130	3.2865668
-110	130	4.15706
-108	130	0.87339
-106	130	-3.63991
-104	130	2.10808
-102	130	3.738362
-100	130	0.27028
-98	130	-7.4057
-96	130	1.49897
-94	130	3.517636
-92	130	-0.20034
-90	130	-10.3611
-88	130	1.42561
-86	130	3.545736
-84	130	0.00103
-82	130	-8.0119
-80	130	1.61117

-78	130	3.834386
-76	130	1.16574
-74	130	-4.15995
-72	130	1.75794
-70	130	4.30275
-68	130	2.943012
-66	130	-0.71371
-64	130	1.69194
-62	130	4.661
-60	130	4.73991
-58	130	2.5734
-56	130	1.75551
-54	130	4.33841
-52	130	5.89135
-50	130	5.56326
-48	130	3.99938
-46	130	3.2953425
-44	130	4.99843
-42	130	6.61526
-40	130	7.10189
-38	130	6.49999
-36	130	5.24717
-34	130	4.43177
-32	130	5.05243
-30	130	6.399
-28	130	7.50989
-26	130	8.1107
-24	130	8.22974
-22	130	7.97106
-20	130	7.46451
-18	130	6.84621
-16	130	6.26263
-14	130	5.8251
-12	130	5.57887
-10	130	5.50112
-8	130	5.52784
-6	130	5.59337
-4	130	5.65152
-2	130	5.67964
0	130	5.67656
2	130	5.6597
4	130	5.6704
6	130	5.76465
8	130	5.99905
10	130	6.40071
12	130	6.93938
14	130	7.52555
16	130	8.03081
18	130	8.33073
20	130	8.30619
22	130	7.84602
24	130	6.91001
26	130	5.65838
28	130	4.81692
30	130	5.2829
32	130	6.52694
34	130	7.4088
36	130	7.35663
38	130	6.17102
40	130	4.20885
42	130	3.608854
44	130	5.2568
46	130	6.46039
48	130	6.01163
50	130	3.778671
52	130	1.9416
54	130	3.922987
56	130	5.47581
58	130	4.59846
60	130	1.27094
62	130	0.89752
64	130	4.019363
66	130	4.38623
68	130	1.0973
70	130	-2.04051
72	130	2.635321
74	130	3.928722
76	130	0.58358
78	130	-5.42743
80	130	1.72646
82	130	3.597511
84	130	-0.01309
86	130	-9.317
88	130	1.40938
90	130	3.497509
92	130	-0.21627
94	130	-9.7464
96	130	1.50682
98	130	3.657965
100	130	0.47137
102	130	-6.03943
104	130	1.70452
106	130	4.057446
108	130	2.01485
110	130	-2.3971
112	130	1.75415
114	130	4.52271
116	130	3.871831
118	130	0.94095
120	130	1.63254
122	130	4.63368
124	130	5.45673
126	130	4.158645
128	130	2.439448
130	130	3.734557
132	130	5.81785
134	130	6.52675
136	130	5.80444
138	130	4.33595
140	130	3.983153
142	130	5.42854
144	130	6.92332
146	130	7.63653
148	130	7.53498
150	130	6.7954
152	130	5.76351
154	130	5.02388

156	130	5.08952
158	130	5.82105
160	130	6.72343
162	130	7.48881
164	130	8.04115
166	130	8.39642
168	130	8.5936
170	130	8.68719
172	130	8.71975
174	130	8.72374
176	130	8.72109
178	130	8.72297
180	130	8.72999
-180	132	7.8389
-178	132	7.69686
-176	132	7.46305
-174	132	7.12433
-172	132	6.6757
-170	132	6.14026
-168	132	5.60464
-166	132	5.25267
-164	132	5.31397
-162	132	5.86359
-160	132	6.6949
-158	132	7.47516
-156	132	7.93017
-154	132	7.87402
-152	132	7.17246
-150	132	5.84269
-148	132	4.41202
-146	132	4.30639
-144	132	5.64494
-142	132	6.8192
-140	132	6.94234
-138	132	5.74619
-136	132	3.547431
-134	132	2.875078
-132	132	4.77533
-130	132	5.99644
-128	132	5.32238
-126	132	2.68009
-124	132	1.15615
-122	132	3.740598
-120	132	5.07908
-118	132	3.652945
-116	132	-0.34925
-114	132	0.69759
-112	132	3.942321
-110	132	3.787114
-108	132	-0.51688
-106	132	-2.73762
-104	132	2.711671
-102	132	3.637808
-100	132	-0.42541
-98	132	-6.9465
-96	132	1.70423
-94	132	3.544883
-92	132	0.00051
-90	132	-11.1109
-88	132	0.99084
-86	132	3.614593
-84	132	0.9733
-82	132	-8.3704
-80	132	0.44464
-78	132	3.804403
-76	132	2.414499
-74	132	-3.27036
-72	132	-0.08215
-70	132	3.913957
-68	132	3.953013
-66	132	0.85906
-64	132	-0.15278
-62	132	3.56674
-60	132	5.07834
-58	132	4.088398
-56	132	1.82592
-54	132	2.536409
-52	132	5.00623
-50	132	6.03235
-48	132	5.40229
-46	132	3.789
-44	132	3.346344
-42	132	4.99097
-40	132	6.56935
-38	132	7.17421
-36	132	6.81102
-34	132	5.75673
-32	132	4.65184
-30	132	4.48953
-28	132	5.41766
-26	132	6.61546
-24	132	7.54171
-22	132	8.09043
-20	132	8.30089
-18	132	8.2516
-16	132	8.03095
-14	132	7.71626
-12	132	7.37468
-10	132	7.06286
-8	132	6.81532
-6	132	6.64904
-4	132	6.56858
-2	132	6.57275
0	132	6.65959
2	132	6.82611
4	132	7.06813
6	132	7.3712
8	132	7.70653
10	132	8.02886
12	132	8.27813
14	132	8.38346
16	132	8.26276
18	132	7.84256
20	132	7.07347
22	132	6.00254
24	132	4.98837
26	132	4.78467

28	132	5.65333
30	132	6.80811
32	132	7.48105
34	132	7.31201
36	132	6.1446
38	132	4.27811
40	132	3.486087
42	132	4.93049
44	132	6.32679
46	132	6.33949
48	132	4.67237
50	132	2.18387
52	132	2.850717
54	132	5.04071
56	132	5.3924
58	132	3.2896973
60	132	0.10488
62	132	2.265698
64	132	4.55612
66	132	3.788716
68	132	-0.4898
70	132	-0.95594
72	132	3.312904
74	132	3.718353
76	132	-0.49694
78	132	-4.71266
80	132	2.171
82	132	3.572496
84	132	-0.27159
86	132	-9.338
88	132	1.31499
90	132	3.557197
92	132	0.41466
94	132	-10.6813
96	132	0.70974
98	132	3.701885
100	132	1.65438
102	132	-5.71453
104	132	0.17673
106	132	3.888103
108	132	3.20167533
110	132	-1.08592
112	132	-0.25396
114	132	3.825256
116	132	4.6039
118	132	2.589662
120	132	0.49657
122	132	3.099487
124	132	5.26384
126	132	5.28991
128	132	3.623756
130	132	2.470438
132	132	4.182193
134	132	6.03168
136	132	6.58926
138	132	5.88725
140	132	4.4839
142	132	3.869242
144	132	4.98556
146	132	6.51209
148	132	7.48064
150	132	7.76054
152	132	7.44247
154	132	6.70515
156	132	5.80411
158	132	5.1068
160	132	4.9192
162	132	5.24103
164	132	5.82307
166	132	6.43122
168	132	6.9472
170	132	7.34142
172	132	7.61872
174	132	7.79504
176	132	7.8855
178	132	7.89952
180	132	7.8389
-180	134	5.44387
-178	134	5.33529
-176	134	5.19594
-174	134	5.08128
-172	134	5.0724
-170	134	5.25591
-168	134	5.6756
-166	134	6.28873
-164	134	6.97082
-162	134	7.56551
-160	134	7.92895
-158	134	7.9337
-156	134	7.46831
-154	134	6.47928
-152	134	5.10103
-150	134	4.088298
-148	134	4.51952
-146	134	5.87506
-144	134	6.88181
-142	134	6.93868
-140	134	5.83047
-138	134	3.757922
-136	134	2.690476
-134	134	4.30515
-132	134	5.83766
-130	134	5.78177
-128	134	3.835992
-126	134	1.13053
-124	134	2.423881
-122	134	4.73266
-120	134	4.8121
-118	134	2.15146
-116	134	-1.15724
-114	134	2.12427
-112	134	4.30052
-110	134	3.086255
-108	134	-2.18953
-106	134	-1.40943
-104	134	3.20613542
-102	134	3.43265

-100	134	-1.29227
-98	134	-6.25351
-96	134	1.91089
-94	134	3.560574
-92	134	0.17306
-90	134	-11.5603
-88	134	0.48263
-86	134	3.608552
-84	134	1.77414
-82	134	-6.69387
-80	134	-1.12897
-78	134	3.494106
-76	134	3.2842088
-74	134	-1.15011
-72	134	-2.33454
-70	134	2.939543
-68	134	4.38572
-66	134	2.645751
-64	134	-0.58299
-62	134	1.70259
-60	134	4.56835
-58	134	5.01181
-56	134	3.392984
-54	134	1.60774
-52	134	3.1819371
-50	134	5.36078
-48	134	6.09278
-46	134	5.37801
-44	134	3.829641
-42	134	3.2716039
-40	134	4.69425
-38	134	6.30937
-36	134	7.14932
-34	134	7.14566
-32	134	6.44909
-30	134	5.37092
-28	134	4.49651
-26	134	4.46108
-24	134	5.22533
-22	134	6.22746
-20	134	7.08836
-18	134	7.70431
-16	134	8.09049
-14	134	8.29273
-12	134	8.3664
-10	134	8.36386
-8	134	8.32565
-6	134	8.28255
-4	134	8.25519
-2	134	8.25434
0	134	8.28107
2	134	8.32685
4	134	8.37447
6	134	8.39709
8	134	8.35869
10	134	8.2151
12	134	7.91652
14	134	7.41445
16	134	6.67917
18	134	5.76227
20	134	4.91591
22	134	4.64009
24	134	5.2349
26	134	6.29468
28	134	7.19198
30	134	7.53325
32	134	7.11279
34	134	5.84462
36	134	4.077289
38	134	3.44591
40	134	4.82548
42	134	6.2334
44	134	6.46198
46	134	5.18678
48	134	2.726129
50	134	2.14738
52	134	4.36114
54	134	5.54252
56	134	4.58261
58	134	1.45272
60	134	0.43636
62	134	3.555322
64	134	4.67027
66	134	2.71756
68	134	-2.03184
70	134	0.47494
72	134	3.793883
74	134	3.305069
76	134	-1.868
78	134	-3.61105
80	134	2.575802
82	134	3.50906
84	134	-0.59208
86	134	-9.3322
88	134	1.21697
90	134	3.593224
92	134	0.9702
94	134	-10.0382
96	134	-0.30294
98	134	3.584437
100	134	2.558375
102	134	-3.65939
104	134	-1.90269
106	134	3.294816
108	134	3.913229
110	134	0.9292
112	134	-1.95666
114	134	2.392342
116	134	4.63269
118	134	4.017961
120	134	1.38529
122	134	1.18747
124	134	4.083923
126	134	5.52548
128	134	5.06916
130	134	3.311998
132	134	2.562007

134	134	4.33765
136	134	6.07003
138	134	6.65656
140	134	6.12821
142	134	4.85594
144	134	3.850939
146	134	4.32199
148	134	5.71996
150	134	6.94823
152	134	7.64887
154	134	7.82732
156	134	7.58192
158	134	7.04106
160	134	6.34797
162	134	5.67225
164	134	5.16829
166	134	4.91796
168	134	4.9007
170	134	5.02798
172	134	5.20454
174	134	5.36226
176	134	5.46305
178	134	5.49063
180	134	5.44387
-180	136	5.68659
-178	136	5.84306
-176	136	6.0841
-174	136	6.40625
-172	136	6.79154
-170	136	7.20309
-168	136	7.58613
-166	136	7.87289
-164	136	7.98656
-162	136	7.84355
-160	136	7.37058
-158	136	6.5144
-156	136	5.32687
-154	136	4.22108
-152	136	4.053993
-150	136	5.05104
-148	136	6.29027
-146	136	6.99656
-144	136	6.83383
-142	136	5.65098
-140	136	3.668452
-138	136	2.615221
-136	136	4.062716
-134	136	5.6763
-132	136	5.95678
-130	136	4.54697
-128	136	1.77772
-126	136	1.40172
-124	136	3.969973
-122	136	5.10149
-120	136	3.860765
-118	136	0.17278
-116	136	-0.31029
-114	136	3.306868
-112	136	4.30421
-110	136	1.97349
-108	136	-3.75158
-106	136	-0.01534
-104	136	3.574955
-102	136	3.1018588
-100	136	-2.36797
-98	136	-5.39086
-96	136	2.11502
-94	136	3.564055
-92	136	0.31887
-90	136	-11.6054
-88	136	-0.10755
-86	136	3.524328
-84	136	2.418988
-82	136	-4.38951
-80	136	-3.20137
-78	136	2.863948
-76	136	3.786488
-74	136	0.86806
-72	136	-3.72315
-70	136	1.27118
-68	136	4.183541
-66	136	3.894177
-64	136	1.03432
-62	136	-0.24351
-60	136	3.1023692
-58	136	5.00766
-56	136	4.76603
-54	136	2.883355
-52	136	1.65996
-50	136	3.524791
-48	136	5.49155
-46	136	6.1424
-44	136	5.52237
-42	136	4.079981
-40	136	3.1739728
-38	136	4.105146
-36	136	5.72641
-34	136	6.86618
-32	136	7.30193
-30	136	7.10253
-28	136	6.41814
-26	136	5.4767
-24	136	4.63994
-22	136	4.29945
-20	136	4.56737
-18	136	5.20124
-16	136	5.90896
-14	136	6.52785
-12	136	7.01067
-10	136	7.36139
-8	136	7.60042
-6	136	7.74984
-4	136	7.8271
-2	136	7.84241
0	136	7.79779
2	136	7.68676
4	136	7.49602

6	136	7.20636
8	136	6.79778
10	136	6.25995
12	136	5.61644
14	136	4.96992
16	136	4.54812
18	136	4.63215
20	136	5.27971
22	136	6.2077
24	136	7.03683
26	136	7.49449
28	136	7.40463
30	136	6.64153
32	136	5.21166
34	136	3.653797
36	136	3.51971
38	136	4.96405
40	136	6.2512
42	136	6.48302
44	136	5.38957
46	136	3.1019487
48	136	1.84904
50	136	3.731544
52	136	5.37619
54	136	5.2177
56	136	2.945377
58	136	-0.01357
60	136	1.99085
62	136	4.41701
64	136	4.27771
66	136	1.08762
68	136	-2.49569
70	136	1.83465
72	136	4.045082
74	136	2.640658
76	136	-3.53186
78	136	-2.35224
80	136	2.930538
82	136	3.399678
84	136	-0.98197
86	136	-9.2898
88	136	1.11568
90	136	3.605974
92	136	1.45633
94	136	-8.2894
96	136	-1.58204
98	136	3.2901719
100	136	3.20356244
102	136	-1.40778
104	136	-4.33025
106	136	2.19739
108	136	4.133031
110	136	2.611228
112	136	-1.49135
114	136	0.23831
116	136	3.859195
118	136	4.7167
120	136	3.19108517
122	136	0.7536
124	136	2.04743
126	136	4.63696
128	136	5.6139
130	136	4.94413
132	136	3.2275857
134	136	2.557163
136	136	4.192461
138	136	5.91608
140	136	6.68442
142	136	6.46286
144	136	5.47421
146	136	4.246
148	136	3.784126
150	136	4.57164
152	136	5.83912
154	136	6.89918
156	136	7.56725
158	136	7.86391
160	136	7.85713
162	136	7.63715
164	136	7.28578
166	136	6.8761
168	136	6.47532
170	136	6.13111
172	136	5.86963
174	136	5.69853
176	136	5.61431
178	136	5.61107
180	136	5.68659
-180	138	7.74771
-178	138	7.80978
-176	138	7.88702
-174	138	7.95566
-172	138	7.98335
-170	138	7.9295
-168	138	7.74641
-166	138	7.38191
-164	138	6.78712
-162	138	5.9366
-160	138	4.91734
-158	138	4.056307
-156	138	3.929628
-154	138	4.72606
-152	138	5.87684
-150	138	6.76008
-148	138	7.03687
-146	138	6.53096
-144	138	5.1606
-142	138	3.2739922
-140	138	2.5989
-138	138	4.084573
-136	138	5.62443
-134	138	5.9983
-132	138	4.88573
-130	138	2.3562
-128	138	0.92333
-126	138	3.1527294
-124	138	4.93109

-122	138	4.69646
-120	138	2.11202
-118	138	-1.27423
-116	138	1.434
-114	138	4.074389
-112	138	3.887101
-110	138	0.35001
-108	138	-4.1679
-106	138	1.24072
-104	138	3.797352
-102	138	2.619747
-100	138	-3.69582
-98	138	-4.43573
-96	138	2.312851
-94	138	3.554677
-92	138	0.43932
-90	138	-11.2458
-88	138	-0.79004
-86	138	3.357768
-84	138	2.918789
-82	138	-2.31253
-80	138	-5.71896
-78	138	1.85213
-76	138	3.917359
-74	138	2.389834
-72	138	-2.5011
-70	138	-1.10609
-68	138	3.259026
-66	138	4.41521
-64	138	2.936903
-62	138	-0.11574
-60	138	0.84767
-58	138	3.915094
-56	138	5.15835
-54	138	4.54731
-52	138	2.633475
-50	138	1.71347
-48	138	3.541083
-46	138	5.42634
-44	138	6.17837
-42	138	5.80295
-40	138	4.58722
-38	138	3.324784
-36	138	3.384034
-34	138	4.71394
-32	138	6.10091
-30	138	6.99852
-28	138	7.35404
-26	138	7.2464
-24	138	6.78728
-22	138	6.10245
-20	138	5.35451
-18	138	4.72003
-16	138	4.33793
-14	138	4.24299
-12	138	4.36506
-10	138	4.59219
-8	138	4.83065
-6	138	5.02283
-4	138	5.1397
-2	138	5.16958
0	138	5.11116
2	138	4.97112
4	138	4.771
6	138	4.55325
8	138	4.39191
10	138	4.38945
12	138	4.63962
14	138	5.16206
16	138	5.86862
18	138	6.59902
20	138	7.19081
22	138	7.50554
24	138	7.42424
26	138	6.84456
28	138	5.7212
30	138	4.22927
32	138	3.2503051
34	138	3.874038
36	138	5.34191
38	138	6.37078
40	138	6.43155
42	138	5.32401
44	138	3.1594384
46	138	1.74343
48	138	3.322844
50	138	5.14288
52	138	5.46035
54	138	3.905651
56	138	0.7545
58	138	0.57469
60	138	3.544101
62	138	4.69712
64	138	3.2694901
66	138	-1.02685
68	138	-1.29998
70	138	2.924986
72	138	4.031849
74	138	1.66186
76	138	-5.28549
78	138	-1.10591
80	138	3.2255709
82	138	3.237038
84	138	-1.45032
86	138	-9.2002
88	138	1.01165
90	138	3.595884
92	138	1.87794
94	138	-6.33456
96	138	-3.19555
98	138	2.797824
100	138	3.601449
102	138	0.45105
104	138	-5.61662
106	138	0.47872
108	138	3.826119
110	138	3.694094

112	138	0.61297
114	138	-1.73261
116	138	2.16905
118	138	4.52105
120	138	4.46266
122	138	2.45189
124	138	0.66152
126	138	2.620252
128	138	4.88639
130	138	5.6529
132	138	4.98142
134	138	3.365882
136	138	2.470158
138	138	3.729423
140	138	5.4918
142	138	6.54372
144	138	6.74465
146	138	6.21006
148	138	5.17357
150	138	4.106048
152	138	3.714908
154	138	4.28099
156	138	5.31056
158	138	6.2935
160	138	7.03921
162	138	7.53231
164	138	7.81314
166	138	7.93007
168	138	7.94158
170	138	7.89352
172	138	7.82312
174	138	7.75863
176	138	7.71916
178	138	7.71496
180	138	7.74771
-180	140	7.42945
-178	140	7.33242
-176	140	7.16325
-174	140	6.90317
-172	140	6.5299
-170	140	6.02422
-168	140	5.3848
-166	140	4.66237
-164	140	4.018328
-162	140	3.744502
-160	140	4.085249
-158	140	4.93564
-156	140	5.92024
-154	140	6.69105
-152	140	7.02688
-150	140	6.78487
-148	140	5.85833
-146	140	4.27562
-144	140	2.69369
-142	140	2.77802
-140	140	4.38226
-138	140	5.70941
-136	140	5.97658
-134	140	4.93531
-132	140	2.5988
-130	140	0.78301
-128	140	2.53403
-126	140	4.60918
-124	140	5.0092
-122	140	3.363936
-120	140	-0.24824
-118	140	-0.48701
-116	140	3.004144
-114	140	4.34737
-112	140	2.957973
-110	140	-1.82491
-108	140	-2.90618
-106	140	2.272747
-104	140	3.853434
-102	140	1.95494
-100	140	-5.30877
-98	140	-3.45495
-96	140	2.501979
-94	140	3.531993
-92	140	0.53589
-90	140	-10.586
-88	140	-1.57778
-86	140	3.1036554
-84	140	3.2816901
-82	140	-0.61778
-80	140	-7.69
-78	140	0.36429
-76	140	3.655143
-74	140	3.379845
-72	140	-0.1194
-70	140	-3.28014
-68	140	1.47998
-66	140	4.13172
-64	140	4.132224
-62	140	1.92911
-60	140	-0.4526
-58	140	1.7142
-56	140	4.32043
-54	140	5.19829
-52	140	4.47015
-50	140	2.64502
-48	140	1.67015
-46	140	3.2197852
-44	140	5.12216
-42	140	6.11185
-40	140	6.11786
-38	140	5.29878
-36	140	4.019915
-34	140	3.1151474
-32	140	3.466906
-30	140	4.68559
-28	140	5.91198
-26	140	6.78658
-24	140	7.2704
-22	140	7.41767
-20	140	7.30867
-18	140	7.01753

-16	140	6.62045
-14	140	6.18595
-12	140	5.77359
-10	140	5.4231
-8	140	5.15749
-6	140	4.98205
-4	140	4.89172
-2	140	4.87992
0	140	4.94442
2	140	5.08742
4	140	5.31605
6	140	5.63105
8	140	6.02034
10	140	6.45392
12	140	6.88364
14	140	7.24737
16	140	7.47705
18	140	7.49594
20	140	7.22838
22	140	6.60184
24	140	5.58128
26	140	4.27808
28	140	3.2532937
30	140	3.410032
32	140	4.63125
34	140	5.87728
36	140	6.50346
38	140	6.24507
40	140	4.97057
42	140	2.864269
44	140	1.67783
46	140	3.200396578
48	140	5.00133
50	140	5.51969
52	140	4.40071
54	140	1.60664
56	140	-0.14818
58	140	2.482063
60	140	4.48957
62	140	4.29003
64	140	1.51075
66	140	-2.69549
68	140	0.5629
70	140	3.666259
72	140	3.711717
74	140	0.28141
76	140	-6.35195
78	140	0.03911
80	140	3.451711
82	140	3.013102
84	140	-2.0077
86	140	-9.0535
88	140	0.90563
90	140	3.563634
92	140	2.239189
94	140	-4.56103
96	140	-5.21846
98	140	2.07671
100	140	3.754165
102	140	1.85598
104	140	-4.0766
106	140	-1.96105
108	140	2.919132
110	140	4.135162
112	140	2.544268
114	140	-1.15254
116	140	-0.30948
118	140	3.300364
120	140	4.74833
122	140	4.142401
124	140	1.9866
126	140	0.74518
128	140	2.824064
130	140	4.91343
132	140	5.68103
134	140	5.18226
136	140	3.760401
138	140	2.491369
140	140	3.009227
142	140	4.66599
144	140	6.03693
146	140	6.72529
148	140	6.75978
150	140	6.25446
152	140	5.38047
154	140	4.41291
156	140	3.744901
158	140	3.691723
160	140	4.185858
162	140	4.913
164	140	5.62922
166	140	6.22577
168	140	6.68232
170	140	7.01005
172	140	7.23284
174	140	7.37308
176	140	7.44735
178	140	7.46543
180	140	7.42945
-180	142	4.42238
-178	142	4.28381
-176	142	4.082266
-174	142	3.854778
-172	142	3.667645
-170	142	3.616608
-168	142	3.801245
-166	142	4.26437
-164	142	4.94695
-162	142	5.70966
-160	142	6.39489
-158	142	6.86699
-156	142	7.0127
-154	142	6.73063
-152	142	5.93719
-150	142	4.61205
-148	142	3.054274
-146	142	2.368959

-144	142	3.37345
-142	142	4.91693
-140	142	5.87947
-138	142	5.86914
-136	142	4.71286
-134	142	2.448826
-132	142	0.70346
-130	142	2.229534
-128	142	4.3481
-126	142	5.07077
-124	142	4.021874
-122	142	1.00571
-120	142	-1.45642
-118	142	1.58359
-116	142	4.000781
-114	142	4.050131
-112	142	1.38266
-110	142	-4.06078
-108	142	-0.95657
-106	142	3.049716
-104	142	3.719746
-102	142	1.06131
-100	142	-7.1543
-98	142	-2.49574
-96	142	2.678134
-94	142	3.495572
-92	142	0.60991
-90	142	-9.7636
-88	142	-2.48697
-86	142	2.755527
-84	142	3.510927
-82	142	0.72284
-80	142	-6.9264
-78	142	-1.73732
-76	142	2.951272
-74	142	3.856148
-72	142	1.87133
-70	142	-2.64181
-68	142	-1.16868
-66	142	2.926414
-64	142	4.40434
-62	142	3.681061
-60	142	1.17761
-58	142	-0.3486
-56	142	2.15506
-54	142	4.45232
-52	142	5.2136
-50	142	4.57787
-48	142	2.926132
-46	142	1.6327
-44	142	2.574499
-42	142	4.4632
-40	142	5.78042
-38	142	6.26339
-36	142	5.99382
-34	142	5.13113
-32	142	3.975825
-30	142	3.1105807
-28	142	3.1483586
-26	142	3.988065
-24	142	5.05629
-22	142	5.98016
-20	142	6.65703
-18	142	7.09889
-16	142	7.34629
-14	142	7.4495
-12	142	7.45888
-10	142	7.41488
-8	142	7.34958
-6	142	7.28821
-4	142	7.24968
-2	142	7.24369
0	142	7.27236
2	142	7.32829
4	142	7.40058
6	142	7.46864
8	142	7.50421
10	142	7.47031
12	142	7.32467
14	142	7.02023
16	142	6.50755
18	142	5.74537
20	142	4.74845
22	142	3.694417
24	142	3.059972
26	142	3.375284
28	142	4.45679
30	142	5.61411
32	142	6.36221
34	142	6.46348
36	142	5.77842
38	142	4.23821
40	142	2.252099
42	142	1.71257
44	142	3.385571
46	142	5.02183
48	142	5.51147
50	142	4.56757
52	142	2.08658
54	142	-0.2938
56	142	1.58293
58	142	4.027639
60	142	4.63051
62	142	3.052573
64	142	-0.99174
66	142	-2.0324
68	142	2.206123
70	142	4.019368
72	142	3.019994
74	142	-1.61317
76	142	-5.73765
78	142	1.03843
80	142	3.599853
82	142	2.718683
84	142	-2.66907
86	142	-8.8419
88	142	0.79864

90	142	3.510058
92	142	2.543724
94	142	-3.04281
96	142	-7.6356
98	142	1.08203
100	142	3.654154
102	142	2.842357
104	142	-1.5191
106	142	-4.64709
108	142	1.27898
110	142	3.901523
112	142	3.741702
114	142	1.17057
116	142	-1.77208
118	142	0.9674
120	142	3.879071
122	142	4.78582
124	142	3.937654
126	142	1.83358
128	142	0.75442
130	142	2.660108
132	142	4.71463
134	142	5.65229
136	142	5.48123
138	142	4.40564
140	142	2.957919
142	142	2.398951
144	142	3.411472
146	142	4.92272
148	142	6.08307
150	142	6.71356
152	142	6.85664
154	142	6.60127
156	142	6.05244
158	142	5.33086
160	142	4.58626
162	142	3.980088
164	142	3.630524
166	142	3.555713
168	142	3.684066
170	142	3.909439
172	142	4.143383
174	142	4.33147
176	142	4.44708
178	142	4.47814
180	142	4.42238
-180	144	4.48094
-178	144	4.61857
-176	144	4.8399
-174	144	5.14212
-172	144	5.51125
-170	144	5.91979
-168	144	6.32798
-166	144	6.68385
-164	144	6.92594
-162	144	6.99283
-160	144	6.8134
-158	144	6.31868
-156	144	5.45394
-154	144	4.22553
-152	144	2.894909
-150	144	2.260755
-148	144	2.982063
-146	144	4.38824
-144	144	5.53151
-142	144	5.9858
-140	144	5.56342
-138	144	4.147694
-136	144	1.89849
-134	144	0.62443
-132	144	2.271295
-130	144	4.26972
-128	144	5.05119
-126	144	4.29533
-124	144	1.78208
-122	144	-1.42602
-120	144	0.28001
-118	144	3.2899003
-116	144	4.30744
-114	144	3.07309
-112	144	-0.99618
-110	144	-4.38183
-108	144	0.83102
-106	144	3.555189
-104	144	3.366158
-102	144	-0.12408
-100	144	-8.8355
-98	144	-1.58786
-96	144	2.838136
-94	144	3.445065
-92	144	0.66282
-90	144	-8.8882
-88	144	-3.53862
-86	144	2.305002
-84	144	3.607638
-82	144	1.75865
-80	144	-4.35417
-78	144	-4.54219
-76	144	1.71665
-74	144	3.815412
-72	144	3.1738877
-70	144	-0.08273
-68	144	-3.29208
-66	144	0.6355
-64	144	3.644198
-62	144	4.40752
-60	144	3.305795
-58	144	0.79929
-56	144	-0.25132
-54	144	2.17738
-52	144	4.35618
-50	144	5.20693
-48	144	4.83701
-46	144	3.488055
-44	144	1.91306
-42	144	1.80002
-40	144	3.332816

-38	144	4.9422
-36	144	5.94576
-34	144	6.29996
-32	144	6.08809
-30	144	5.43089
-28	144	4.494
-26	144	3.554164
-24	144	2.975826
-22	144	2.996236
-20	144	3.510348
-18	144	4.22447
-16	144	4.92368
-14	144	5.51431
-12	144	5.97173
-10	144	6.3089
-8	144	6.5447
-6	144	6.69589
-4	144	6.77773
-2	144	6.80003
0	144	6.76489
2	144	6.66522
4	144	6.49301
6	144	6.23203
8	144	5.86172
10	144	5.36401
12	144	4.73703
14	144	4.018254
16	144	3.3339
18	144	2.94191
20	144	3.1180275
22	144	3.864513
24	144	4.86988
26	144	5.78212
28	144	6.36182
30	144	6.4634
32	144	5.97199
34	144	4.80224
36	144	3.042559
38	144	1.58262
40	144	2.1016
42	144	3.872876
44	144	5.19027
46	144	5.45683
48	144	4.469
50	144	2.12792
52	144	-0.31398
54	144	1.03685
56	144	3.59012
58	144	4.64386
60	144	3.829723
62	144	0.80318
64	144	-2.97171
66	144	0.18459
68	144	3.344501
70	144	3.946282
72	144	1.86284
74	144	-4.08429
76	144	-3.89226
78	144	1.87535
80	144	3.661515
82	144	2.343073
84	144	-3.45302
86	144	-8.5617
88	144	0.69182
90	144	3.436199
92	144	2.794756
94	144	-1.76323
96	144	-9.8309
98	144	-0.2536
100	144	3.2830979
102	144	3.446991
104	144	0.62304
106	144	-4.95161
108	144	-1.2576
110	144	2.907444
112	144	4.125009
114	144	3.061152
116	144	0.01991
118	144	-1.51445
120	144	1.70188
122	144	4.115743
124	144	4.78085
126	144	3.934427
128	144	1.9844
130	144	0.68804
132	144	2.12246
134	144	4.20299
136	144	5.44144
138	144	5.71919
140	144	5.15588
142	144	3.978048
144	144	2.715421
146	144	2.339678
148	144	3.19688251
150	144	4.51046
152	144	5.63306
154	144	6.39215
156	144	6.79333
158	144	6.90103
160	144	6.78566
162	144	6.51022
164	144	6.13981
166	144	5.73479
168	144	5.34163
170	144	5.00022
172	144	4.733
174	144	4.54744
176	144	4.44459
178	144	4.42282
180	144	4.48094
-180	146	6.86537
-178	146	6.89865
-176	146	6.93909
-174	146	6.96915
-172	146	6.96192
-170	146	6.88959
-168	146	6.71572

-166	146	6.39561
-164	146	5.88843
-162	146	5.15585
-160	146	4.192619
-158	146	3.1148575
-156	146	2.289634
-154	146	2.279263
-152	146	3.1815094
-150	146	4.41648
-148	146	5.42761
-146	146	5.93069
-144	146	5.77712
-142	146	4.85146
-140	146	3.1015902
-138	146	1.04167
-136	146	0.76816
-134	146	2.673813
-132	146	4.40204
-130	146	5.02215
-128	146	4.3072
-126	146	2.05093
-124	146	-1.1854
-122	146	-0.58673
-120	146	2.56185
-118	146	4.168619
-116	146	3.832851
-114	146	1.23112
-112	146	-3.91789
-110	146	-2.25655
-108	146	2.204748
-106	146	3.771737
-104	146	2.75261
-102	146	-1.69418
-100	146	-9.3109
-98	146	-0.74842
-96	146	2.979133
-94	146	3.380236
-92	146	0.69603
-90	146	-8.0268
-88	146	-4.75984
-86	146	1.74113
-84	146	3.57026
-82	146	2.529295
-80	146	-1.9094
-78	146	-7.2329
-76	146	-0.19981
-74	146	3.2134819
-72	146	3.794907
-70	146	2.07455
-68	146	-1.81562
-66	146	-2.39732
-64	146	1.66727
-62	146	3.952022
-60	146	4.34905
-58	146	3.1498631
-56	146	0.78468
-54	146	-0.32076
-52	146	1.78173
-50	146	3.986144
-48	146	5.09135
-46	146	5.12753
-44	146	4.25184
-42	146	2.780339
-40	146	1.60129
-38	146	1.93345
-36	146	3.383138
-34	146	4.80687
-32	146	5.77421
-30	146	6.25186
-28	146	6.30889
-26	146	6.0251
-24	146	5.48858
-22	146	4.80155
-20	146	4.078999
-18	146	3.451279
-16	146	3.019643
-14	146	2.822605
-12	146	2.824493
-10	146	2.943104
-8	146	3.1037942
-6	146	3.2490965
-4	146	3.341623
-2	146	3.367954
0	146	3.323706
2	146	3.213191
4	146	3.060317
6	146	2.905065
8	146	2.809677
10	146	2.858877
12	146	3.1252777
14	146	3.626407
16	146	4.30556
18	146	5.04847
20	146	5.72743
22	146	6.23021
24	146	6.45916
26	146	6.33037
28	146	5.75701
30	146	4.67279
32	146	3.1307312
34	146	1.67535
36	146	1.6038
38	146	3.030919
40	146	4.56086
42	146	5.39573
44	146	5.28307
46	146	4.071436
48	146	1.71661
50	146	-0.44941
52	146	0.88823
54	146	3.357171
56	146	4.56383
58	146	4.159443
60	146	1.8718
62	146	-2.2043
64	146	-1.71693
66	146	2.17258

68	146	3.917113
70	146	3.380884
72	146	0.09293
74	146	-6.55838
76	146	-1.8807
78	146	2.543436
80	146	3.626392
82	146	1.87328
84	146	-4.38408
86	146	-8.2138
88	146	0.58649
90	146	3.343204
92	146	2.99517
94	146	-0.68945
96	146	-9.9396
98	146	-2.03309
100	146	2.606171
102	146	3.687926
104	146	2.15192
106	146	-2.36016
108	146	-4.32875
110	146	0.97724
112	146	3.643139
114	146	4.001098
116	146	2.4146
118	146	-0.65643
120	146	-1.18573
122	146	1.94256
124	146	4.11928
126	146	4.78323
128	146	4.136123
130	146	2.452553
132	146	0.79285
134	146	1.28297
136	146	3.236232
138	146	4.83208
140	146	5.63646
142	146	5.69704
144	146	5.12933
146	146	4.10127
148	146	2.947451
150	146	2.251186
152	146	2.469109
154	146	3.364961
156	146	4.40989
158	146	5.31026
160	146	5.98378
162	146	6.44413
164	146	6.72569
166	146	6.87543
168	146	6.93451
170	146	6.93441
172	146	6.90731
174	146	6.87529
176	146	6.85124
178	146	6.84717
180	146	6.86537
-180	148	5.72028
-178	148	5.60593
-176	148	5.41212
-174	148	5.12529
-172	148	4.73086
-170	148	4.22194
-168	148	3.603983
-166	148	2.930155
-164	148	2.334873
-162	148	2.0507
-160	148	2.295864
-158	148	3.049521
-156	148	4.042659
-154	148	4.97733
-152	148	5.64943
-150	148	5.9266
-148	148	5.71055
-146	148	4.90661
-144	148	3.449523
-142	148	1.54327
-140	148	0.41808
-138	148	1.49417
-136	148	3.390491
-134	148	4.6759
-132	148	4.95533
-130	148	4.0721
-128	148	1.84354
-126	148	-1.22414
-124	148	-0.96825
-122	148	2.0682
-120	148	3.930453
-118	148	4.10574
-116	148	2.415297
-114	148	-1.7053
-112	148	-4.73685
-110	148	0.14723
-108	148	3.1326759
-106	148	3.675159
-104	148	1.8181
-102	148	-3.78626
-100	148	-8.0284
-98	148	0.0136
-96	148	3.098481
-94	148	3.300925
-92	148	0.71113
-90	148	-7.2132
-88	148	-6.18475
-86	148	1.04918
-84	148	3.394145
-82	148	3.061861
-80	148	-0.00426
-78	148	-6.65416
-76	148	-3.00977
-74	148	1.94728
-72	148	3.741445
-70	148	3.367408
-68	148	0.95584
-66	148	-2.78974
-64	148	-1.53227
-62	148	2.11807

-60	148	4.027635
-58	148	4.33113
-56	148	3.2631297
-54	148	1.13222
-52	148	-0.41564
-50	148	0.95616
-48	148	3.20960803
-46	148	4.68443
-44	148	5.23124
-42	148	4.96436
-40	148	4.024239
-38	148	2.681733
-36	148	1.59308
-34	148	1.61806
-32	148	2.686736
-30	148	3.985632
-28	148	5.05349
-26	148	5.78102
-24	148	6.19629
-22	148	6.35261
-20	148	6.31128
-18	148	6.12328
-16	148	5.84501
-14	148	5.52072
-12	148	5.19265
-10	148	4.8935
-8	148	4.64521
-6	148	4.46502
-4	148	4.35854
-2	148	4.32994
0	148	4.38096
2	148	4.50795
4	148	4.71009
6	148	4.9775
8	148	5.29288
10	148	5.63228
12	148	5.959
14	148	6.23248
16	148	6.40488
18	148	6.42221
20	148	6.22936
22	148	5.76082
24	148	4.96411
26	148	3.814515
28	148	2.443094
30	148	1.40398
32	148	1.57228
34	148	2.846396
36	148	4.25879
38	148	5.19417
40	148	5.42396
42	148	4.81377
44	148	3.2427802
46	148	0.83514
48	148	-0.595
50	148	1.15672
52	148	3.407568
54	148	4.51683
56	148	4.23684
58	148	2.345827
60	148	-1.34772
62	148	-2.87418
64	148	0.92502
66	148	3.432871
68	148	3.890573
70	148	2.210473
72	148	-2.5036
74	148	-6.63391
76	148	-0.15108
78	148	3.039148
80	148	3.481686
82	148	1.29315
84	148	-5.49503
86	148	-7.804
88	148	0.48408
90	148	3.2324239
92	148	3.1476541
94	148	0.20896
96	148	-7.8038
98	148	-4.4042
100	148	1.5643
102	148	3.561605
104	148	3.1181067
106	148	0.23777
108	148	-4.73733
110	148	-2.07653
112	148	2.15432
114	148	3.920097
116	148	3.802807
118	148	2.01997
120	148	-0.875
122	148	-1.16494
124	148	1.73255
126	148	3.89367
128	148	4.74905
130	148	4.46019
132	148	3.20875226
134	148	1.45383
136	148	0.6184
138	148	1.7672
140	148	3.546817
142	148	4.88689
144	148	5.60866
146	148	5.76324
148	148	5.44344
150	148	4.75103
152	148	3.828622
154	148	2.898392
156	148	2.257844
158	148	2.12845
160	148	2.482425
162	148	3.090845
164	148	3.747772
166	148	4.33591
168	148	4.817
170	148	5.1868
172	148	5.45302

174	148	5.63172
176	148	5.73122
178	148	5.75969
180	148	5.72028
-180	150	2.02307
-178	150	1.98449
-176	150	1.95368
-174	150	1.96871
-172	150	2.08157
-170	150	2.340077
-168	150	2.766139
-166	150	3.341665
-164	150	4.004594
-162	150	4.67436
-160	150	5.26296
-158	150	5.69326
-156	150	5.89021
-154	150	5.78662
-152	150	5.30792
-150	150	4.3831
-148	150	2.979739
-146	150	1.31495
-144	150	0.32525
-142	150	1.09573
-140	150	2.802141
-138	150	4.22307
-136	150	4.91179
-134	150	4.71536
-132	150	3.496235
-130	150	1.11756
-128	150	-1.6186
-126	150	-0.9091
-124	150	1.95222
-122	150	3.781695
-120	150	4.156677
-118	150	2.95923
-116	150	-0.24654
-114	150	-4.93203
-112	150	-2.08282
-110	150	1.95108
-108	150	3.612335
-106	150	3.2255309
-104	150	0.46727
-102	150	-6.55496
-100	150	-5.95819
-98	150	0.69387
-96	150	3.19363322
-94	150	3.20697587
-92	150	0.70971
-90	150	-6.46087
-88	150	-7.8512
-86	150	0.20887
-84	150	3.070864
-82	150	3.37261
-80	150	1.40411
-78	150	-3.66357
-76	150	-6.4586
-74	150	-0.183
-72	150	2.951605
-70	150	3.80475
-68	150	2.864831
-66	150	0.14087
-64	150	-3.10014
-62	150	-1.21371
-60	150	2.11888
-58	150	3.93103
-56	150	4.35727
-54	150	3.605984
-52	150	1.85722
-50	150	-0.09553
-48	150	-0.10009
-46	150	1.85142
-44	150	3.706714
-42	150	4.83097
-40	150	5.23896
-38	150	5.02829
-36	150	4.30395
-34	150	3.2222485
-32	150	2.08024
-30	150	1.38663
-28	150	1.52984
-26	150	2.333686
-24	150	3.333305
-22	150	4.24441
-20	150	4.96785
-18	150	5.50121
-16	150	5.86977
-14	150	6.11185
-12	150	6.25642
-10	150	6.33644
-8	150	6.37341
-6	150	6.38779
-4	150	6.39276
-2	150	6.39514
0	150	6.39968
2	150	6.39935
4	150	6.38902
6	150	6.35181
8	150	6.26888
10	150	6.11494
12	150	5.85824
14	150	5.4667
16	150	4.90079
18	150	4.136304
20	150	3.1763114
22	150	2.13299
24	150	1.33821
26	150	1.29313
28	150	2.12378
30	150	3.358269
32	150	4.47798
34	150	5.20381
36	150	5.39562
38	150	4.95203
40	150	3.76445
42	150	1.79415
44	150	-0.32213

46	150	-0.28596
48	150	1.85815
50	150	3.715431
52	150	4.5235
54	150	4.137204
56	150	2.355451
58	150	-1.03392
60	150	-3.31922
62	150	-0.03607
64	150	2.851354
66	150	3.912647
68	150	3.1832067
70	150	0.23515
72	150	-5.91219
74	150	-4.10284
76	150	1.21446
78	150	3.358423
80	150	3.2131877
82	150	0.58172
84	150	-6.8298
86	150	-7.3416
88	150	0.38597
90	150	3.1052695
92	150	3.2546383
94	150	0.95659
96	150	-5.3249
98	150	-7.4563
100	150	0.05978
102	150	3.03948
104	150	3.570183
106	150	2.05761
108	150	-1.77711
110	150	-5.02585
112	150	-0.61243
114	150	2.698986
116	150	3.98546
118	150	3.694449
120	150	1.98281
122	150	-0.70198
124	150	-1.4626
126	150	1.03908
128	150	3.337745
130	150	4.5361
132	150	4.73145
134	150	4.065831
136	150	2.712266
138	150	1.1546
140	150	0.55695
142	150	1.53667
144	150	3.096271
146	150	4.40758
148	150	5.26795
150	150	5.70391
152	150	5.77697
154	150	5.56081
156	150	5.12239
158	150	4.53689
160	150	3.881455
162	150	3.2459968
164	150	2.705132
166	150	2.315302
168	150	2.0843
170	150	1.98884
172	150	1.97828
174	150	2.00587
176	150	2.03448
178	150	2.04156
180	150	2.02307
-180	152	4.61774
-178	152	4.71334
-176	152	4.86397
-174	152	5.05533
-172	152	5.27291
-170	152	5.49196
-168	152	5.6861
-166	152	5.8205
-164	152	5.85878
-162	152	5.75716
-160	152	5.46979
-158	152	4.94279
-156	152	4.127241
-154	152	2.996528
-152	152	1.64056
-150	152	0.47689
-148	152	0.3307
-146	152	1.4183
-144	152	2.919396
-142	152	4.145322
-140	152	4.81853
-138	152	4.82281
-136	152	4.051427
-134	152	2.365188
-132	152	-0.20484
-130	152	-2.03783
-128	152	-0.33797
-126	152	2.24242
-124	152	3.799788
-122	152	4.119482
-120	152	3.1028142
-118	152	0.40334
-116	152	-4.15876
-114	152	-3.82633
-112	152	0.65059
-110	152	3.084078
-108	152	3.632682
-106	152	2.356428
-104	152	-1.45733
-102	152	-9.6778
-100	152	-3.94056
-98	152	1.29252
-96	152	3.2622266
-94	152	3.099203
-92	152	0.69349
-90	152	-5.77233
-88	152	-9.7772
-86	152	-0.8079
-84	152	2.587101

-82	152	3.46994
-80	152	2.395137
-78	152	-1.00924
-76	152	-6.9826
-74	152	-3.47566
-72	152	1.26118
-70	152	3.371559
-68	152	3.70753
-66	152	2.523785
-64	152	-0.18452
-62	152	-3.11995
-60	152	-1.49951
-58	152	1.67579
-56	152	3.610163
-54	152	4.33244
-52	152	4.039192
-50	152	2.853004
-48	152	1.02758
-46	152	-0.43036
-44	152	0.06114
-42	152	1.85423
-40	152	3.506401
-38	152	4.60394
-36	152	5.14964
-34	152	5.22419
-32	152	4.90589
-30	152	4.27251
-28	152	3.428027
-26	152	2.511137
-24	152	1.72592
-22	152	1.27555
-20	152	1.2562
-18	152	1.58002
-16	152	2.07781
-14	152	2.605181
-12	152	3.083411
-10	152	3.476275
-8	152	3.776772
-6	152	3.983842
-4	152	4.104913
-2	152	4.140049
0	152	4.094326
2	152	3.961111
4	152	3.740411
6	152	3.422988
8	152	3.010117
10	152	2.508911
12	152	1.95895
14	152	1.44744
16	152	1.13183
18	152	1.19165
20	152	1.70336
22	152	2.552415
24	152	3.515526
26	152	4.38742
28	152	5.03037
30	152	5.34714
32	152	5.26156
34	152	4.6895
36	152	3.545014
38	152	1.7972
40	152	-0.15633
42	152	-0.71124
44	152	0.90033
46	152	2.869726
48	152	4.141897
50	152	4.49484
52	152	3.817413
54	152	1.91145
56	152	-1.36471
58	152	-3.47077
60	152	-0.47931
62	152	2.438052
64	152	3.77048
66	152	3.569386
68	152	1.62551
70	152	-2.88217
72	152	-7.4508
74	152	-1.46692
76	152	2.229602
78	152	3.49634
80	152	2.803047
82	152	-0.288
84	152	-8.444
86	152	-6.8373
88	152	0.29357
90	152	2.963264
92	152	3.318376
94	152	1.57357
96	152	-3.22616
98	152	-10.1839
100	152	-2.07425
102	152	2.05954
104	152	3.520908
106	152	3.1337565
108	152	0.91008
110	152	-3.30964
112	152	-4.35156
114	152	0.04141
116	152	2.843924
118	152	3.958029
120	152	3.735262
122	152	2.307824
124	152	-0.08569
126	152	-1.73215
128	152	-0.18249
130	152	2.246252
132	152	3.896109
134	152	4.66649
136	152	4.67684
138	152	4.034479
140	152	2.869616
142	152	1.47653
144	152	0.523
146	152	0.71566
148	152	1.81632
150	152	3.093512

152	152	4.164219
154	152	4.9379
156	152	5.43902
158	152	5.71012
160	152	5.80216
162	152	5.75916
164	152	5.62471
166	152	5.43431
168	152	5.22175
170	152	5.01287
172	152	4.83133
174	152	4.69145
176	152	4.60657
178	152	4.58033
180	152	4.61774
-180	154	5.6139
-178	154	5.57441
-176	154	5.50255
-174	154	5.38268
-172	154	5.20246
-170	154	4.93791
-168	154	4.56796
-166	154	4.063322
-164	154	3.402133
-162	154	2.574066
-160	154	1.6199
-158	154	0.69821
-156	154	0.15785
-154	154	0.37591
-152	154	1.31525
-150	154	2.54279
-148	154	3.665515
-146	154	4.4709
-144	154	4.85016
-142	154	4.72302
-140	154	4.002815
-138	154	2.576404
-136	154	0.39852
-134	154	-1.81967
-132	154	-1.58601
-130	154	0.79
-128	154	2.848413
-126	154	3.944849
-124	154	4.008623
-122	154	2.929329
-120	154	0.3967
-118	154	-3.83588
-116	154	-4.72674
-114	154	-0.37804
-112	154	2.463167
-110	154	3.575105
-108	154	3.1520712
-106	154	0.94652
-104	154	-4.23146
-102	154	-10.2916
-100	154	-2.21345
-98	154	1.80696
-96	154	3.301878
-94	154	2.976659
-92	154	0.66427
-90	154	-5.14462
-88	154	-11.8609
-86	154	-2.04434
-84	154	1.9226
-82	154	3.350104
-80	154	3.024751
-78	154	0.90688
-76	154	-3.66213
-74	154	-7.188
-72	154	-1.66621
-70	154	1.92563
-68	154	3.498064
-66	154	3.626942
-64	154	2.473087
-62	154	0.03282
-60	154	-2.87338
-58	154	-2.33451
-56	154	0.67088
-54	154	2.896073
-52	154	4.054057
-50	154	4.31708
-48	154	3.811283
-46	154	2.630717
-44	154	0.99745
-42	154	-0.38585
-40	154	-0.37627
-38	154	0.9564
-36	154	2.518309
-34	154	3.762347
-32	154	4.60305
-30	154	5.07744
-28	154	5.24587
-26	154	5.16907
-24	154	4.8975
-22	154	4.48524
-20	154	3.982965
-18	154	3.441944
-16	154	2.911391
-14	154	2.432559
-12	154	2.03641
-10	154	1.7332
-8	154	1.52203
-6	154	1.38629
-4	154	1.31276
-2	154	1.28601
0	154	1.3054
2	154	1.37332
4	154	1.50664
6	154	1.72031
8	154	2.03091
10	154	2.439404
12	154	2.933395
14	154	3.479912
16	154	4.035967
18	154	4.55011
20	154	4.97095
22	154	5.24707

24	154	5.32568
26	154	5.15294
28	154	4.66521
30	154	3.799218
32	154	2.499998
34	154	0.83529
36	154	-0.64043
38	154	-0.68345
40	154	0.8327
42	154	2.597428
44	154	3.864364
46	154	4.43502
48	154	4.22511
50	154	3.1079532
52	154	0.88492
54	154	-2.33971
56	154	-3.37593
58	154	-0.31554
60	154	2.348114
62	154	3.659701
64	154	3.67006
66	154	2.254189
68	154	-1.12843
70	154	-7.013
72	154	-4.46823
74	154	0.54594
76	154	2.918083
78	154	3.438501
80	154	2.2277
82	154	-1.35742
84	154	-10.3897
86	154	-6.30459
88	154	0.20809
90	154	2.807848
92	154	3.340828
94	154	2.07384
96	154	-1.5481
98	154	-9.1971
100	154	-5.10736
102	154	0.4981
104	154	2.937718
106	154	3.534772
108	154	2.603859
110	154	0.02581
112	154	-4.06463
114	154	-4.02732
116	154	0.03807
118	154	2.664869
120	154	3.842698
122	154	3.876488
124	154	2.897777
126	154	1.00525
128	154	-1.19478
130	154	-1.56376
132	154	0.38849
134	154	2.464194
136	154	3.868846
138	154	4.59431
140	154	4.73519
142	154	4.3811
144	154	3.615344
146	154	2.54781
148	154	1.39739
150	154	0.5422
152	154	0.36436
154	154	0.88248
156	154	1.75189
158	154	2.660409
160	154	3.452944
162	154	4.090335
164	154	4.57892
166	154	4.93929
168	154	5.19819
170	154	5.37621
172	154	5.49583
174	154	5.56921
176	154	5.61097
178	154	5.62384
180	154	5.6139
-180	156	1.66052
-178	156	1.52677
-176	156	1.31451
-174	156	1.03159
-172	156	0.70376
-170	156	0.37747
-168	156	0.13156
-166	156	0.07281
-164	156	0.29563
-162	156	0.82681
-160	156	1.59367
-158	156	2.466657
-156	156	3.31623
-154	156	4.038148
-152	156	4.55666
-150	156	4.8099
-148	156	4.74133
-146	156	4.28642
-144	156	3.361554
-142	156	1.88503
-140	156	-0.12032
-138	156	-1.97672
-136	156	-1.83078
-134	156	0.19751
-132	156	2.219057
-130	156	3.541297
-128	156	4.057239
-126	156	3.716802
-124	156	2.377317
-122	156	-0.26567
-120	156	-4.28844
-118	156	-4.9124
-116	156	-0.83991
-114	156	2.03119
-112	156	3.382515
-110	156	3.421103
-108	156	2.07449
-106	156	-1.22486

-104	156	-8.2177
-102	156	-7.3481
-100	156	-0.78996
-98	156	2.23709
-96	156	3.310345
-94	156	2.839252
-92	156	0.62392
-90	156	-4.57236
-88	156	-13.5763
-86	156	-3.56555
-84	156	1.04632
-82	156	3.001198
-80	156	3.323501
-78	156	2.19687
-76	156	-0.66981
-74	156	-5.76231
-72	156	-6.01842
-70	156	-0.89089
-68	156	2.10209
-66	156	3.464637
-64	156	3.624927
-62	156	2.720945
-60	156	0.75155
-58	156	-2.00506
-56	156	-3.25629
-54	156	-1.07549
-52	156	1.48175
-50	156	3.19180875
-48	156	4.086436
-46	156	4.30125
-44	156	3.932606
-42	156	3.054404
-40	156	1.77426
-38	156	0.35843
-36	156	-0.60425
-34	156	-0.49683
-32	156	0.50542
-30	156	1.7584
-28	156	2.876672
-26	156	3.750337
-24	156	4.3855
-22	156	4.81387
-20	156	5.07666
-18	156	5.21229
-16	156	5.25206
-14	156	5.22824
-12	156	5.16352
-10	156	5.08191
-8	156	5.00007
-6	156	4.9322
-4	156	4.88901
-2	156	4.87492
0	156	4.8944
2	156	4.94227
4	156	5.01574
6	156	5.10237
8	156	5.18962
10	156	5.25865
12	156	5.28728
14	156	5.2506
16	156	5.11636
18	156	4.85282
20	156	4.41818
22	156	3.771702
24	156	2.871946
26	156	1.70436
28	156	0.36716
30	156	-0.74661
32	156	-0.90249
34	156	0.1311
36	156	1.65774
38	156	3.028266
40	156	3.974009
42	156	4.39733
44	156	4.23008
46	156	3.376536
48	156	1.68543
50	156	-0.96213
52	156	-3.58809
54	156	-2.57148
56	156	0.43111
58	156	2.602529
60	156	3.655657
62	156	3.628454
64	156	2.412298
66	156	-0.39374
68	156	-5.57085
70	156	-6.8256
72	156	-1.24885
74	156	1.95342
76	156	3.2967295
78	156	3.1665275
80	156	1.45473
82	156	-2.686
84	156	-12.6167
86	156	-5.7549
88	156	0.13069
90	156	2.640493
92	156	3.323668
94	156	2.468671
96	156	-0.21949
98	156	-6.01337
100	156	-9.0679
102	156	-1.87691
104	156	1.72673
106	156	3.2698585
108	156	3.397372
110	156	2.2364
112	156	-0.34745
114	156	-4.13493
116	156	-4.3571
118	156	-0.61536
120	156	2.0972
122	156	3.529496
124	156	3.960553
126	156	3.540346
128	156	2.34114

130	156	0.48467
132	156	-1.4009
134	156	-1.68412
136	156	-0.08125
138	156	1.81248
140	156	3.2578345
142	156	4.178658
144	156	4.64439
146	156	4.72877
148	156	4.49339
150	156	3.999751
152	156	3.307773
154	156	2.491796
156	156	1.65523
158	156	0.9229
160	156	0.41757
162	156	0.20297
164	156	0.25162
166	156	0.47881
168	156	0.78214
170	156	1.08983
172	156	1.35447
174	156	1.55201
176	156	1.67217
178	156	1.70774
180	156	1.66052
-180	158	1.94741
-178	158	2.05261
-176	158	2.229746
-174	158	2.473698
-172	158	2.77626
-170	158	3.1246791
-168	158	3.497677
-166	158	3.872866
-164	158	4.22112
-162	158	4.51118
-160	158	4.71106
-158	158	4.78322
-156	158	4.69023
-154	158	4.38833
-152	158	3.823118
-150	158	2.938118
-148	158	1.67706
-146	158	0.04588
-144	158	-1.63762
-142	158	-2.32713
-140	158	-1.23206
-138	158	0.65418
-136	158	2.323239
-134	158	3.455259
-132	158	3.980846
-130	158	3.85876
-128	158	3.000399
-126	158	1.21946
-124	158	-1.76751
-122	158	-5.37821
-120	158	-4.3619
-118	158	-0.60781
-116	158	1.95454
-114	158	3.255881
-112	158	3.462189
-110	158	2.550206
-108	158	0.19867
-106	158	-4.60223
-104	158	-11.4694
-102	158	-4.2762
-100	158	0.36571
-98	158	2.582683
-96	158	3.2852886
-94	158	2.686886
-92	158	0.5744
-90	158	-4.04898
-88	158	-13.8375
-86	158	-5.47564
-84	158	-0.08944
-82	158	2.398879
-80	158	3.302078
-78	158	2.965155
-76	158	1.35387
-74	158	-1.89761
-72	158	-6.78491
-70	158	-5.53682
-68	158	-0.90258
-66	158	1.88032
-64	158	3.2763867
-62	158	3.650208
-60	158	3.1504213
-58	158	1.80078
-56	158	-0.36915
-54	158	-2.77232
-52	158	-3.13987
-50	158	-1.00986
-48	158	1.2446
-46	158	2.846066
-44	158	3.809459
-42	158	4.24132
-40	158	4.22916
-38	158	3.835338
-36	158	3.1128392
-34	158	2.13283
-32	158	1.01542
-30	158	-0.03316
-28	158	-0.70909
-26	158	-0.78575
-24	158	-0.32601
-22	158	0.41419
-20	158	1.20383
-18	158	1.92065
-16	158	2.526073
-14	158	3.013215
-12	158	3.392587
-10	158	3.68028
-8	158	3.886587
-6	158	4.026724
-4	158	4.107623
-2	158	4.134266
0	158	4.110215

2	158	4.029927
4	158	3.891432
6	158	3.683851
8	158	3.394957
10	158	3.011411
12	158	2.513736
14	158	1.89256
16	158	1.14723
18	158	0.31519
20	158	-0.48302
22	158	-1.00599
24	158	-0.95774
26	158	-0.25383
28	158	0.85662
30	158	2.04222
32	158	3.079198
34	158	3.848597
36	158	4.2872
38	158	4.34045
40	158	3.943635
42	158	3.01053
44	158	1.41945
46	158	-0.91652
48	158	-3.40904
50	158	-3.39297
52	158	-0.81406
54	158	1.57306
56	158	3.079375
58	158	3.708049
60	158	3.453811
62	158	2.19273
64	158	-0.42393
66	158	-5.07601
68	158	-7.9048
70	158	-2.66163
72	158	0.99168
74	158	2.838909
76	158	3.363245
78	158	2.652113
80	158	0.4388
82	158	-4.36779
84	158	-14.5618
86	158	-5.19873
88	158	0.06218
90	158	2.462407
92	158	3.2681886
94	158	2.766515
96	158	0.82622
98	158	-3.2606
100	158	-10.2729
102	158	-5.49524
104	158	-0.32242
106	158	2.263799
108	158	3.348157
110	158	3.2968982
112	158	2.17737
114	158	-0.11537
116	158	-3.52753
118	158	-5.09545
120	158	-2.06338
122	158	0.91976
124	158	2.777085
126	158	3.716703
128	158	3.915971
130	158	3.472581
132	158	2.444357
134	158	0.90832
136	158	-0.83933
138	158	-1.9223
140	158	-1.42797
142	158	0.07956
144	158	1.62923
146	158	2.864189
148	158	3.74547
150	158	4.31414
152	158	4.62596
154	158	4.73035
156	158	4.66781
158	158	4.48006
160	158	4.20142
162	158	3.863006
164	158	3.497438
166	158	3.1310025
168	158	2.7877
170	158	2.48787
172	158	2.242629
174	158	2.06301
176	158	1.95258
178	158	1.91333
180	158	1.94741
-180	160	4.73369
-178	160	4.732
-176	160	4.72438
-174	160	4.70271
-172	160	4.65495
-170	160	4.56931
-168	160	4.42751
-166	160	4.20875
-164	160	3.890214
-162	160	3.441918
-160	160	2.83234
-158	160	2.02928
-156	160	1.00642
-154	160	-0.21718
-152	160	-1.48341
-150	160	-2.33685
-148	160	-2.16605
-146	160	-0.98709
-144	160	0.55435
-142	160	1.96696
-140	160	3.046962
-138	160	3.726306
-136	160	3.968574
-134	160	3.728015
-132	160	2.924624
-130	160	1.41874
-128	160	-1.00063

-126	160	-4.3226
-124	160	-5.82229
-122	160	-2.84307
-120	160	0.24866
-118	160	2.247594
-116	160	3.2697862
-114	160	3.414073
-112	160	2.651301
-110	160	0.75497
-108	160	-2.91063
-106	160	-9.8162
-104	160	-8.1064
-102	160	-1.91565
-100	160	1.28589
-98	160	2.843185
-96	160	3.2243238
-94	160	2.519433
-92	160	0.5177
-90	160	-3.56795
-88	160	-12.4413
-86	160	-7.946
-84	160	-1.56196
-82	160	1.50066
-80	160	2.946282
-78	160	3.2667846
-76	160	2.586137
-74	160	0.8005
-72	160	-2.42164
-70	160	-6.9143
-68	160	-6.07297
-66	160	-1.69866
-64	160	1.18021
-62	160	2.808207
-60	160	3.53329
-58	160	3.528533
-56	160	2.860065
-54	160	1.5399
-52	160	-0.39161
-50	160	-2.54576
-48	160	-3.47959
-46	160	-2.1765
-44	160	-0.1223
-42	160	1.61317
-40	160	2.8585
-38	160	3.667897
-36	160	4.116566
-34	160	4.26697
-32	160	4.170439
-30	160	3.869455
-28	160	3.401675
-26	160	2.806276
-24	160	2.12946
-22	160	1.42002
-20	160	0.73228
-18	160	0.12378
-16	160	-0.36147
-14	160	-0.70239
-12	160	-0.90382
-10	160	-0.99663
-8	160	-1.02007
-6	160	-1.0098
-4	160	-0.99684
-2	160	-0.99704
0	160	-1.0155
2	160	-1.04988
4	160	-1.08018
6	160	-1.07802
8	160	-1.00562
10	160	-0.81915
12	160	-0.48683
14	160	0.00012
16	160	0.62037
18	160	1.32621
20	160	2.0591
22	160	2.761243
24	160	3.380499
26	160	3.873576
28	160	4.20201
30	160	4.32494
32	160	4.20009
34	160	3.777451
36	160	2.991263
38	160	1.75587
40	160	-0.01044
42	160	-2.22464
44	160	-3.91032
46	160	-3.15296
48	160	-0.8272
50	160	1.29024
52	160	2.749792
54	160	3.532331
56	160	3.640611
58	160	3.020646
60	160	1.51634
62	160	-1.22248
64	160	-5.73823
66	160	-8.1183
68	160	-3.26512
70	160	0.37015
72	160	2.394504
74	160	3.2551902
76	160	3.099783
78	160	1.85131
80	160	-0.89437
82	160	-6.56314
84	160	-14.7341
86	160	-4.64467
88	160	0.00317
90	160	2.274708
92	160	3.1752385
94	160	2.973493
96	160	1.63723
98	160	-1.18937
100	160	-6.5248
102	160	-10.2317
104	160	-3.65959
106	160	0.30446

108	160	2.394732
110	160	3.309267
112	160	3.302136
114	160	2.434832
116	160	0.65249
118	160	-2.12545
120	160	-5.01567
122	160	-4.3238
124	160	-1.28033
126	160	1.15887
128	160	2.727162
130	160	3.594776
132	160	3.897206
134	160	3.717288
136	160	3.1078273
138	160	2.11046
140	160	0.79541
142	160	-0.6485
144	160	-1.78319
146	160	-2.03497
148	160	-1.32845
150	160	-0.16997
152	160	0.99671
154	160	1.99409
156	160	2.789472
158	160	3.398048
160	160	3.848449
162	160	4.172535
164	160	4.39642
166	160	4.54319
168	160	4.63477
170	160	4.68665
172	160	4.71281
174	160	4.72515
176	160	4.7294
178	160	4.73149
180	160	4.73369
-180	162	1.29374
-178	162	1.17503
-176	162	0.9748
-174	162	0.68842
-172	162	0.30874
-170	162	-0.16289
-168	162	-0.71756
-166	162	-1.32634
-164	162	-1.91403
-162	162	-2.34474
-160	162	-2.43909
-158	162	-2.06943
-156	162	-1.27327
-154	162	-0.22847
-152	162	0.87302
-150	162	1.89364
-148	162	2.751071
-146	162	3.397129
-144	162	3.798112
-142	162	3.922172
-140	162	3.73076
-138	162	3.1652855
-136	162	2.14172
-134	162	0.53604
-132	162	-1.80363
-130	162	-4.72478
-128	162	-5.99181
-126	162	-3.57004
-124	162	-0.65506
-122	162	1.45734
-120	162	2.765656
-118	162	3.364692
-116	162	3.2827664
-114	162	2.461546
-112	162	0.7068
-110	162	-2.46203
-108	162	-8.2339
-106	162	-10.926
-104	162	-4.08892
-102	162	-0.15739
-100	162	1.99674
-98	162	3.017461
-96	162	3.1260965
-94	162	2.336669
-92	162	0.45575
-90	162	-3.12308
-88	162	-10.4469
-86	162	-11.2246
-84	162	-3.50372
-82	162	0.23372
-80	162	2.217193
-78	162	3.1152974
-76	162	3.1595777
-74	162	2.39507
-72	162	0.72666
-70	162	-2.09258
-68	162	-6.1409
-66	162	-7.4198
-64	162	-3.53287
-62	162	-0.28381
-60	162	1.77445
-58	162	2.97195
-56	162	3.516046
-54	162	3.519328
-52	162	3.032727
-50	162	2.07652
-48	162	0.66516
-46	162	-1.10808
-44	162	-2.85393
-42	162	-3.60961
-40	162	-2.78475
-38	162	-1.18727
-36	162	0.37104
-34	162	1.63685
-32	162	2.594333
-30	162	3.2850245
-28	162	3.757385
-26	162	4.053518
-24	162	4.20772
-22	162	4.25134

-20	162	4.2112
-18	162	4.109857
-16	162	3.968101
-14	162	3.805795
-12	162	3.63919
-10	162	3.481562
-8	162	3.346339
-6	162	3.2428828
-4	162	3.1764529
-2	162	3.1529733
0	162	3.1740103
2	162	3.2367374
4	162	3.339152
6	162	3.474754
8	162	3.632818
10	162	3.802935
12	162	3.970999
14	162	4.119046
16	162	4.22915
18	162	4.28066
20	162	4.2489
22	162	4.107436
24	162	3.826389
26	162	3.369077
28	162	2.690548
30	162	1.74034
32	162	0.46466
34	162	-1.15364
36	162	-2.92445
38	162	-4.03897
40	162	-3.41475
42	162	-1.5617
44	162	0.36196
46	162	1.89442
48	162	2.949798
50	162	3.525106
52	162	3.60429
54	162	3.1431937
56	162	2.04027
58	162	0.09333
60	162	-3.0804
62	162	-7.5521
64	162	-7.4108
66	162	-2.86834
68	162	0.30364
70	162	2.18445
72	162	3.1100265
74	162	3.20936927
76	162	2.466523
78	162	0.69548
80	162	-2.66707
82	162	-9.565
84	162	-12.8667
86	162	-4.09946
88	162	-0.04596
90	162	2.07821
92	162	3.045138
94	162	3.093528
96	162	2.247785
98	162	0.34668
100	162	-3.10555
102	162	-9.0137
104	162	-8.9686
106	162	-3.12964
108	162	0.28426
110	162	2.205648
112	162	3.1587118
114	162	3.357599
116	162	2.879854
118	162	1.72176
120	162	-0.18099
122	162	-2.81447
124	162	-5.21442
126	162	-4.63126
128	162	-2.01815
130	162	0.30088
132	162	1.94451
134	162	3.015437
136	162	3.628231
138	162	3.865432
140	162	3.783634
142	162	3.424667
144	162	2.825062
146	162	2.01812
148	162	1.05063
150	162	-0.00047
152	162	-1.00724
154	162	-1.79147
156	162	-2.18971
158	162	-2.15424
160	162	-1.78584
162	162	-1.2489
164	162	-0.67597
166	162	-0.14166
168	162	0.31818
170	162	0.68959
172	162	0.97411
174	162	1.17448
176	162	1.29169
178	162	1.33117
180	162	1.29374
-180	164	-0.78504
-178	164	-0.68678
-176	164	-0.51441
-174	164	-0.26758
-172	164	0.05076
-170	164	0.43401
-168	164	0.87109
-166	164	1.34568
-164	164	1.83692
-162	164	2.323422
-160	164	2.782346
-158	164	3.19021317
-156	164	3.523397
-154	164	3.759501
-152	164	3.874305
-150	164	3.841444

-148	164	3.628492
-146	164	3.19745314
-144	164	2.498568
-142	164	1.46502
-140	164	0.00678
-138	164	-1.96654
-136	164	-4.37341
-134	164	-6.11922
-132	164	-5.1317
-130	164	-2.57157
-128	164	-0.24844
-126	164	1.47124
-124	164	2.614823
-122	164	3.2348822
-120	164	3.350037
-118	164	2.935123
-116	164	1.90012
-114	164	0.05055
-112	164	-3.05025
-110	164	-8.3954
-108	164	-11.9305
-106	164	-5.48405
-104	164	-1.30764
-102	164	1.1355
-100	164	2.51675
-98	164	3.1036315
-96	164	2.987165
-94	164	2.13834
-92	164	0.39048
-90	164	-2.70877
-88	164	-8.5349
-86	164	-15.0665
-84	164	-6.16789
-82	164	-1.5316
-80	164	1.0368
-78	164	2.475992
-76	164	3.1235436
-74	164	3.1139453
-72	164	2.473965
-70	164	1.14832
-68	164	-1.00969
-66	164	-4.19561
-64	164	-7.6326
-62	164	-6.68767
-60	164	-3.13056
-58	164	-0.38649
-56	164	1.4543
-54	164	2.627696
-52	164	3.2919817
-50	164	3.543226
-48	164	3.438783
-46	164	3.010235
-44	164	2.279161
-42	164	1.26333
-40	164	-0.00216
-38	164	-1.42601
-36	164	-2.78172
-34	164	-3.64349
-32	164	-3.63788
-30	164	-2.87831
-28	164	-1.79995
-26	164	-0.71998
-24	164	0.23234
-22	164	1.02712
-20	164	1.67061
-18	164	2.18348
-16	164	2.587131
-14	164	2.900549
-12	164	3.1381456
-10	164	3.315531
-8	164	3.443576
-6	164	3.529537
-4	164	3.579283
-2	164	3.597397
0	164	3.585074
2	164	3.539201
4	164	3.458426
6	164	3.336998
8	164	3.1656028
10	164	2.933296
12	164	2.627426
14	164	2.231222
16	164	1.72258
18	164	1.08075
20	164	0.28273
22	164	-0.68764
24	164	-1.816
26	164	-2.99236
28	164	-3.90695
30	164	-4.05973
32	164	-3.23392
34	164	-1.81575
36	164	-0.29882
38	164	1.05249
40	164	2.14059
42	164	2.93648
44	164	3.426124
46	164	3.590836
48	164	3.400275
50	164	2.800347
52	164	1.70184
54	164	-0.05397
56	164	-2.73785
58	164	-6.56803
60	164	-8.7531
62	164	-5.19814
64	164	-1.59979
66	164	0.80348
68	164	2.292626
70	164	3.064425
72	164	3.19353063
74	164	2.670628
76	164	1.38886
78	164	-0.93901
80	164	-5.10712
82	164	-13.838
84	164	-10.4742

86	164	-3.5682
88	164	-0.08508
90	164	1.87347
92	164	2.877603
94	164	3.1286764
96	164	2.678867
98	164	1.46981
100	164	-0.70661
102	164	-4.35759
104	164	-10.0183
106	164	-9.0538
108	164	-3.69143
110	164	-0.37968
112	164	1.61861
114	164	2.768715
116	164	3.2827436
118	164	3.2597362
120	164	2.736572
122	164	1.71064
124	164	0.14602
126	164	-1.96892
128	164	-4.34019
130	164	-5.56992
132	164	-4.33735
134	164	-2.13022
136	164	-0.18419
138	164	1.29356
140	164	2.358558
142	164	3.089793
144	164	3.549784
146	164	3.789318
148	164	3.846942
150	164	3.754042
152	164	3.537121
154	164	3.2217843
156	164	2.830532
158	164	2.386132
160	164	1.91009
162	164	1.42565
164	164	0.95486
166	164	0.51722
168	164	0.1276
170	164	-0.20069
172	164	-0.46046
174	164	-0.64924
176	164	-0.76646
178	164	-0.81174
180	164	-0.78504
-180	166	3.775018
-178	166	3.786693
-176	166	3.804021
-174	166	3.822814
-172	166	3.837244
-170	166	3.838466
-168	166	3.818554
-166	166	3.766646
-164	166	3.669944
-162	166	3.51232
-160	166	3.2773223
-158	166	2.944632
-156	166	2.489531
-154	166	1.88095
-152	166	1.08166
-150	166	0.04705
-148	166	-1.27213
-146	166	-2.90118
-144	166	-4.71786
-142	166	-6.08811
-140	166	-5.86869
-138	166	-4.1409
-136	166	-2.07191
-134	166	-0.25643
-132	166	1.17622
-130	166	2.231054
-128	166	2.929435
-126	166	3.2819088
-124	166	3.282918
-122	166	2.902091
-120	166	2.07534
-118	166	0.68551
-116	166	-1.49573
-114	166	-4.95062
-112	166	-10.4872
-110	166	-11.393
-108	166	-5.54907
-106	166	-1.76999
-104	166	0.58908
-102	166	2.05385
-100	166	2.857518
-98	166	3.09947
-96	166	2.804209
-94	166	1.92412
-92	166	0.32376
-90	166	-2.32006
-88	166	-6.8678
-86	166	-15.3817
-84	166	-10.0862
-82	166	-4.04928
-80	166	-0.74659
-78	166	1.25503
-76	166	2.449028
-74	166	3.04435
-72	166	3.1373398
-70	166	2.759826
-68	166	1.89737
-66	166	0.49032
-64	166	-1.57365
-62	166	-4.40728
-60	166	-7.4847
-58	166	-7.6719
-56	166	-4.78621
-54	166	-2.03367
-52	166	-0.00609
-50	166	1.42912
-48	166	2.4157
-46	166	3.052435
-44	166	3.405025

-42	166	3.520911
-40	166	3.431768
-38	166	3.162517
-36	166	2.733539
-34	166	2.16302
-32	166	1.46909
-30	166	0.67618
-28	166	-0.1851
-26	166	-1.07518
-24	166	-1.93951
-22	166	-2.71138
-20	166	-3.32306
-18	166	-3.72901
-16	166	-3.92457
-14	166	-3.94757
-12	166	-3.85493
-10	166	-3.70639
-8	166	-3.55001
-6	166	-3.42155
-4	166	-3.33907
-2	166	-3.31367
0	166	-3.34932
2	166	-3.44633
4	166	-3.59311
6	166	-3.77099
8	166	-3.9484
10	166	-4.07922
12	166	-4.09904
14	166	-3.94254
16	166	-3.56512
18	166	-2.96599
20	166	-2.18919
22	166	-1.30555
24	166	-0.3874
26	166	0.50557
28	166	1.32969
30	166	2.05421
32	166	2.657747
34	166	3.1208646
36	166	3.424137
38	166	3.548478
40	166	3.47008
42	166	3.1573455
44	166	2.56614
46	166	1.63265
48	166	0.25627
50	166	-1.71721
52	166	-4.49549
54	166	-7.8777
56	166	-8.6107
58	166	-5.33206
60	166	-2.16041
62	166	0.11756
64	166	1.66842
66	166	2.643737
68	166	3.1194229
70	166	3.1199643
72	166	2.623641
74	166	1.55191
76	166	-0.27616
78	166	-3.28658
80	166	-8.7117
82	166	-17.6669
84	166	-8.3131
86	166	-3.05449
88	166	-0.11424
90	166	1.66079
92	166	2.671757
94	166	3.079141
96	166	2.943536
98	166	2.258
100	166	0.94934
102	166	-1.17047
104	166	-4.49783
106	166	-9.5197
108	166	-10.6946
110	166	-5.59772
112	166	-1.9686
114	166	0.35343
116	166	1.84793
118	166	2.760286
120	166	3.2160244
122	166	3.2836805
124	166	2.997812
126	166	2.372797
128	166	1.40541
130	166	0.08118
132	166	-1.5968
134	166	-3.51832
136	166	-5.20723
138	166	-5.68195
140	166	-4.63979
142	166	-2.98316
144	166	-1.40007
146	166	-0.0829
148	166	0.96296
150	166	1.77779
152	166	2.403229
154	166	2.874874
156	166	3.2217633
158	166	3.468324
160	166	3.63598
162	166	3.742197
164	166	3.801789
166	166	3.826614
168	166	3.829028
170	166	3.818373
172	166	3.802288
174	166	3.785544
176	166	3.773905
178	166	3.770058
180	166	3.775018
-180	168	0.62369
-178	168	0.53679
-176	168	0.38715
-174	168	0.16981
-172	168	-0.12227

-170	168	-0.49873
-168	168	-0.97155
-166	168	-1.55204
-164	168	-2.25204
-162	168	-3.07707
-160	168	-4.01302
-158	168	-4.99345
-156	168	-5.84324
-154	168	-6.25298
-152	168	-5.93747
-150	168	-4.93553
-148	168	-3.56978
-146	168	-2.14031
-144	168	-0.80886
-142	168	0.35648
-140	168	1.33406
-138	168	2.11813
-136	168	2.706427
-134	168	3.095534
-132	168	3.2773219
-130	168	3.2392565
-128	168	2.954996
-126	168	2.3869
-124	168	1.47529
-122	168	0.12101
-120	168	-1.84863
-118	168	-4.76452
-116	168	-9.2146
-114	168	-13.1168
-112	168	-8.6233
-110	168	-4.24952
-108	168	-1.37326
-106	168	0.56262
-104	168	1.85548
-102	168	2.652317
-100	168	3.024691
-98	168	3.002027
-96	168	2.573922
-94	168	1.69361
-92	168	0.25727
-90	168	-1.95288
-88	168	-5.43964
-86	168	-11.6306
-84	168	-15.9502
-82	168	-7.9059
-80	168	-3.45421
-78	168	-0.75481
-76	168	1.00273
-74	168	2.14166
-72	168	2.815942
-70	168	3.1059775
-68	168	3.05377
-66	168	2.671135
-64	168	1.95093
-62	168	0.86432
-60	168	-0.64182
-58	168	-2.63631
-56	168	-5.13831
-54	168	-7.6471
-52	168	-8.2058
-50	168	-6.22495
-48	168	-3.80295
-46	168	-1.80175
-44	168	-0.26067
-42	168	0.90896
-40	168	1.78747
-38	168	2.435934
-36	168	2.899416
-34	168	3.2118047
-32	168	3.400641
-30	168	3.487254
-28	168	3.488789
-26	168	3.421938
-24	168	3.301368
-22	168	3.1403698
-20	168	2.951395
-18	168	2.745519
-16	168	2.533929
-14	168	2.327216
-12	168	2.13466
-10	168	1.96452
-8	168	1.82311
-6	168	1.71657
-4	168	1.64931
-2	168	1.62403
0	168	1.64176
2	168	1.701
4	168	1.80044
6	168	1.93622
8	168	2.10296
10	168	2.293665
12	168	2.499825
14	168	2.712872
16	168	2.92267
18	168	3.1182496
20	168	3.2875907
22	168	3.418015
24	168	3.49681
26	168	3.509586
28	168	3.440419
30	168	3.2710161
32	168	2.979316
34	168	2.54033
36	168	1.92093
38	168	1.07581
40	168	-0.05647
42	168	-1.56274
44	168	-3.55658
46	168	-6.10024
48	168	-8.6108
50	168	-8.6326
52	168	-5.99339
54	168	-3.23309
56	168	-1.05286
58	168	0.57996
60	168	1.76183
62	168	2.562796

64	168	3.017339
66	168	3.1387534
68	168	2.918248
70	168	2.321865
72	168	1.28135
74	168	-0.34153
76	168	-2.82985
78	168	-6.8826
80	168	-14.7329
82	168	-13.9895
84	168	-6.48902
86	168	-2.56084
88	168	-0.13363
90	168	1.44022
92	168	2.42605
94	168	2.943252
96	168	3.048587
98	168	2.758247
100	168	2.05501
102	168	0.8835
104	168	-0.87874
106	168	-3.46351
108	168	-7.2671
110	168	-11.6222
112	168	-9.6476
114	168	-5.30627
116	168	-2.26309
118	168	-0.18713
120	168	1.24827
122	168	2.226808
124	168	2.851527
126	168	3.1852892
128	168	3.2690213
130	168	3.1287395
132	168	2.78097
134	168	2.238249
136	168	1.50385
138	168	0.58176
140	168	-0.52128
142	168	-1.78333
144	168	-3.14442
146	168	-4.46425
148	168	-5.48288
150	168	-5.90502
152	168	-5.64627
154	168	-4.91904
156	168	-4.0117
158	168	-3.11098
160	168	-2.29921
162	168	-1.60233
164	168	-1.01993
166	168	-0.5424
168	168	-0.15869
170	168	0.14156
172	168	0.36596
174	168	0.52219
176	168	0.61558
178	168	0.64908
180	168	0.62369
-180	170	-3.86474
-178	170	-3.76598
-176	170	-3.59227
-174	170	-3.34409
-172	170	-3.02371
-170	170	-2.63609
-168	170	-2.18926
-166	170	-1.69424
-164	170	-1.16357
-162	170	-0.61146
-160	170	-0.05233
-158	170	0.49983
-156	170	1.03169
-154	170	1.53088
-152	170	1.98655
-150	170	2.388253
-148	170	2.725977
-146	170	2.989746
-144	170	3.1692128
-142	170	3.253659
-140	170	3.2300069
-138	170	3.082548
-136	170	2.792303
-134	170	2.334706
-132	170	1.67649
-130	170	0.7704
-128	170	-0.45436
-126	170	-2.11077
-124	170	-4.39188
-122	170	-7.6256
-120	170	-11.904
-118	170	-12.6364
-116	170	-8.2839
-114	170	-4.67909
-112	170	-2.12625
-110	170	-0.28408
-108	170	1.05414
-106	170	2.00308
-104	170	2.626997
-102	170	2.96056
-100	170	3.020693
-98	170	2.804219
-96	170	2.292542
-94	170	1.44628
-92	170	0.19252
-90	170	-1.60397
-88	170	-4.21278
-86	170	-8.2801
-84	170	-15.3978
-82	170	-14.6893
-80	170	-7.9183
-78	170	-4.05135
-76	170	-1.55241
-74	170	0.175
-72	170	1.39083
-70	170	2.228159
-68	170	2.76255
-66	170	3.039682

-64	170	3.088705
-62	170	2.923064
-60	170	2.549227
-58	170	1.96586
-56	170	1.16406
-54	170	0.12717
-52	170	-1.16748
-50	170	-2.74484
-48	170	-4.60407
-46	170	-6.61032
-44	170	-8.2237
-42	170	-8.4885
-40	170	-7.3072
-38	170	-5.60793
-36	170	-3.99381
-34	170	-2.62278
-32	170	-1.49368
-30	170	-0.57165
-28	170	0.18
-26	170	0.79222
-24	170	1.29021
-22	170	1.69344
-20	170	2.01867
-18	170	2.279603
-16	170	2.487239
-14	170	2.650732
-12	170	2.777535
-10	170	2.873067
-8	170	2.942668
-6	170	2.990323
-4	170	3.018714
-2	170	3.029449
0	170	3.023114
2	170	2.998291
4	170	2.954507
6	170	2.889297
8	170	2.799036
10	170	2.679051
12	170	2.523055
14	170	2.323263
16	170	2.07146
18	170	1.75679
20	170	1.36606
22	170	0.88302
24	170	0.28709
26	170	-0.44764
28	170	-1.35266
30	170	-2.46804
32	170	-3.83884
34	170	-5.49275
36	170	-7.3409
38	170	-8.8647
40	170	-8.9435
42	170	-7.3557
44	170	-5.21004
46	170	-3.21014
48	170	-1.52239
50	170	-0.14365
52	170	0.9593
54	170	1.81747
56	170	2.451569
58	170	2.872361
60	170	3.08354
62	170	3.080785
64	170	2.850876
66	170	2.369241
68	170	1.59664
70	170	0.46289
72	170	-1.15209
74	170	-3.4787
76	170	-7.0401
78	170	-13.3692
80	170	-18.3233
82	170	-9.6093
84	170	-4.95737
86	170	-2.08872
88	170	-0.14358
90	170	1.21161
92	170	2.13819
94	170	2.717426
96	170	2.995031
98	170	2.993434
100	170	2.717918
102	170	2.15861
104	170	1.28871
106	170	0.05198
108	170	-1.6462
110	170	-3.96895
112	170	-7.1643
114	170	-11.0697
116	170	-11.7221
118	170	-8.0745
120	170	-4.81324
122	170	-2.44788
124	170	-0.71914
126	170	0.5631
128	170	1.51603
130	170	2.213656
132	170	2.704905
134	170	3.024516
136	170	3.19808126
138	170	3.2452871
140	170	3.1819207
142	170	3.0212
144	170	2.775033
146	170	2.45411
148	170	2.06786
150	170	1.62631
152	170	1.13966
154	170	0.61891
156	170	0.0758
158	170	-0.47744
160	170	-1.02703
162	170	-1.55875
164	170	-2.05883
166	170	-2.51449
168	170	-2.91488

170	170	-3.25225
172	170	-3.52083
174	170	-3.71731
176	170	-3.84038
178	170	-3.88962
180	170	-3.86474
-180	172	3.055143
-178	172	3.066878
-176	172	3.086136
-174	172	3.1113969
-172	172	3.1404766
-170	172	3.1706069
-168	172	3.19845081
-166	172	3.2200848
-164	172	3.2305225
-162	172	3.2251615
-160	172	3.19853786
-158	172	3.1444649
-156	172	3.05606
-154	172	2.925639
-152	172	2.744476
-150	172	2.502503
-148	172	2.18742
-146	172	1.78577
-144	172	1.28016
-142	172	0.64849
-140	172	-0.13837
-138	172	-1.12004
-136	172	-2.35343
-134	172	-3.92427
-132	172	-5.96166
-130	172	-8.6379
-128	172	-11.8813
-126	172	-13.4639
-124	172	-10.8448
-122	172	-7.4946
-120	172	-4.82233
-118	172	-2.76118
-116	172	-1.15424
-114	172	0.10833
-112	172	1.09611
-110	172	1.85328
-108	172	2.407839
-106	172	2.777016
-104	172	2.970681
-102	172	2.992761
-100	172	2.838571
-98	172	2.498672
-96	172	1.95577
-94	172	1.1816
-92	172	0.13089
-90	172	-1.27072
-88	172	-3.15078
-86	172	-5.76236
-84	172	-9.6669
-82	172	-16.1248
-80	172	-16.9069
-78	172	-10.2331
-76	172	-6.19907
-74	172	-3.5375
-72	172	-1.63414
-70	172	-0.21734
-68	172	0.85364
-66	172	1.66053
-64	172	2.25475
-62	172	2.670626
-60	172	2.932085
-58	172	3.058068
-56	172	3.059524
-54	172	2.945697
-52	172	2.723452
-50	172	2.39781
-48	172	1.97218
-46	172	1.44862
-44	172	0.82892
-42	172	0.11401
-40	172	-0.69388
-38	172	-1.5933
-36	172	-2.58007
-34	172	-3.64352
-32	172	-4.76168
-30	172	-5.89329
-28	172	-6.9692
-26	172	-7.8875
-24	172	-8.5359
-22	172	-8.8413
-20	172	-8.8155
-18	172	-8.5469
-16	172	-8.1471
-14	172	-7.7082
-12	172	-7.291
-10	172	-6.9281
-8	172	-6.63678
-6	172	-6.42501
-4	172	-6.29615
-2	172	-6.25157
0	172	-6.29187
2	172	-6.41874
4	172	-6.63066
6	172	-6.9258
8	172	-7.2986
10	172	-7.7352
12	172	-8.2066
14	172	-8.6576
16	172	-8.9985
18	172	-9.1086
20	172	-8.8792
22	172	-8.277
24	172	-7.3687
26	172	-6.27541
28	172	-5.11122
30	172	-3.95554
32	172	-2.85487
34	172	-1.83314
36	172	-0.90154
38	172	-0.06461
40	172	0.676

42	172	1.32041
44	172	1.86869
46	172	2.31869
48	172	2.668508
50	172	2.914782
52	172	3.053163
54	172	3.077373
56	172	2.978701
58	172	2.74533
60	172	2.361224
62	172	1.80561
64	172	1.04475
66	172	0.03111
68	172	-1.31028
70	172	-3.1071
72	172	-5.60291
74	172	-9.3504
76	172	-15.8935
78	172	-18.9043
80	172	-10.9673
82	172	-6.51893
84	172	-3.66117
86	172	-1.639
88	172	-0.14441
90	172	0.97468
92	172	1.80527
94	172	2.395978
96	172	2.77843
98	172	2.972178
100	172	2.988346
102	172	2.831487
104	172	2.500226
106	172	1.98878
108	172	1.2814
110	172	0.35321
112	172	-0.83373
114	172	-2.33792
116	172	-4.24824
118	172	-6.68547
120	172	-9.6911
122	172	-12.3495
124	172	-11.7803
126	172	-8.9405
128	172	-6.29069
130	172	-4.21123
132	172	-2.5936
134	172	-1.31963
136	172	-0.30451
138	172	0.50982
140	172	1.16507
142	172	1.69098
144	172	2.10999
146	172	2.439933
148	172	2.695265
150	172	2.887994
152	172	3.02781
154	172	3.1240668
156	172	3.1846583
158	172	3.216571
160	172	3.2261076
162	172	3.218914
164	172	3.20099279
166	172	3.1740826
168	172	3.1444981
170	172	3.1152978
172	172	3.089391
174	172	3.069072
176	172	3.056002
178	172	3.051226
180	172	3.055143
-180	174	0.0426
-178	174	-0.00422
-176	174	-0.08513
-174	174	-0.20183
-172	174	-0.35672
-170	174	-0.55308
-168	174	-0.79519
-166	174	-1.08838
-164	174	-1.43944
-162	174	-1.85682
-160	174	-2.35136
-158	174	-2.93683
-156	174	-3.63001
-154	174	-4.45318
-152	174	-5.43502
-150	174	-6.61195
-148	174	-8.0255
-146	174	-9.7039
-144	174	-11.5751
-142	174	-13.1847
-140	174	-13.4535
-138	174	-11.9821
-136	174	-9.8054
-134	174	-7.6937
-132	174	-5.8468
-130	174	-4.26547
-128	174	-2.91455
-126	174	-1.75759
-124	174	-0.76546
-122	174	0.08375
-120	174	0.80636
-118	174	1.41426
-116	174	1.91605
-114	174	2.317803
-112	174	2.623467
-110	174	2.835322
-108	174	2.955271
-106	174	2.981718
-104	174	2.911968
-102	174	2.742042
-100	174	2.466008
-98	174	2.07541
-96	174	1.55851
-94	174	0.89894
-92	174	0.07355
-90	174	-0.95127
-88	174	-2.22459

-86	174	-3.82931
-84	174	-5.90532
-82	174	-8.7198
-80	174	-12.8434
-78	174	-18.9202
-76	174	-17.5231
-74	174	-11.8583
-72	174	-8.1828
-70	174	-5.63923
-68	174	-3.74812
-66	174	-2.28036
-64	174	-1.11152
-62	174	-0.16709
-60	174	0.60111
-58	174	1.22614
-56	174	1.73182
-54	174	2.136
-52	174	2.452541
-50	174	2.692579
-48	174	2.865353
-46	174	2.979629
-44	174	3.041072
-42	174	3.055666
-40	174	3.028542
-38	174	2.964977
-36	174	2.869791
-34	174	2.74754
-32	174	2.602651
-30	174	2.439485
-28	174	2.262323
-26	174	2.07543
-24	174	1.88302
-22	174	1.68928
-20	174	1.49835
-18	174	1.31393
-16	174	1.14006
-14	174	0.98049
-12	174	0.8386
-10	174	0.71745
-8	174	0.6196
-6	174	0.54717
-4	174	0.50177
-2	174	0.48443
0	174	0.49549
2	174	0.53437
4	174	0.6006
6	174	0.69276
8	174	0.80886
10	174	0.94638
12	174	1.10241
14	174	1.27364
16	174	1.45646
18	174	1.64704
20	174	1.84124
22	174	2.03483
24	174	2.22385
26	174	2.404062
28	174	2.571181
30	174	2.720939
32	174	2.84896
34	174	2.950829
36	174	3.021993
38	174	3.057745
40	174	3.053089
42	174	3.002625
44	174	2.900224
46	174	2.739614
48	174	2.513259
50	174	2.213377
52	174	1.82826
54	174	1.34458
56	174	0.74532
58	174	0.00794
60	174	-0.89864
62	174	-2.0194
64	174	-3.42337
66	174	-5.2249
68	174	-7.6345
70	174	-11.0997
72	174	-16.7185
74	174	-21.4899
76	174	-14.3341
78	174	-9.5765
80	174	-6.48506
82	174	-4.25648
84	174	-2.55418
86	174	-1.21191
88	174	-0.13651
90	174	0.72905
92	174	1.42359
94	174	1.9707
96	174	2.388202
98	174	2.688789
100	174	2.881628
102	174	2.973209
104	174	2.96796
106	174	2.868588
108	174	2.676207
110	174	2.390979
112	174	2.01195
114	174	1.53445
116	174	0.95311
118	174	0.2603
120	174	-0.55463
122	174	-1.50599
124	174	-2.61294
126	174	-3.90039
128	174	-5.39855
130	174	-7.1362
132	174	-9.1085
134	174	-11.1586
136	174	-12.7076
138	174	-12.8332
140	174	-11.5695
142	174	-9.8417
144	174	-8.2004
146	174	-6.78487

148	174	-5.59365
150	174	-4.59446
152	174	-3.75421
154	174	-3.04523
156	174	-2.44553
158	174	-1.93779
160	174	-1.5084
162	174	-1.14691
164	174	-0.84447
166	174	-0.59397
168	174	-0.38988
170	174	-0.22784
172	174	-0.10443
174	174	-0.01711
176	174	0.03591
178	174	0.05568
180	174	0.0426
-180	176	-7.3179
-178	176	-7.2369
-176	176	-7.0975
-174	176	-6.9019
-172	176	-6.65364
-170	176	-6.35696
-168	176	-6.01691
-166	176	-5.63912
-164	176	-5.22962
-162	176	-4.79449
-160	176	-4.33981
-158	176	-3.87143
-156	176	-3.39482
-154	176	-2.91498
-152	176	-2.43648
-150	176	-1.96336
-148	176	-1.49938
-146	176	-1.0475
-144	176	-0.61051
-142	176	-0.19079
-140	176	0.20955
-138	176	0.58862
-136	176	0.94475
-134	176	1.27642
-132	176	1.58224
-130	176	1.86091
-128	176	2.1112
-126	176	2.331889
-124	176	2.521795
-122	176	2.679714
-120	176	2.804438
-118	176	2.895645
-116	176	2.950985
-114	176	2.968962
-112	176	2.947953
-110	176	2.886151
-108	176	2.781536
-106	176	2.631793
-104	176	2.434255
-102	176	2.18582
-100	176	1.88282
-98	176	1.52087
-96	176	1.09463
-94	176	0.59754
-92	176	0.0214
-90	176	-0.64431
-88	176	-1.4121
-86	176	-2.30139
-84	176	-3.33739
-82	176	-4.55609
-80	176	-6.01117
-78	176	-7.7872
-76	176	-10.026
-74	176	-12.9804
-72	176	-17.0476
-70	176	-21.2174
-68	176	-18.748
-66	176	-14.4106
-64	176	-11.2514
-62	176	-8.9259
-60	176	-7.1274
-58	176	-5.68303
-56	176	-4.49274
-54	176	-3.49351
-52	176	-2.64345
-50	176	-1.91333
-48	176	-1.28187
-46	176	-0.73307
-44	176	-0.25452
-42	176	0.16362
-40	176	0.52936
-38	176	0.84931
-36	176	1.12904
-34	176	1.37329
-32	176	1.58616
-30	176	1.77123
-28	176	1.93136
-26	176	2.06961
-24	176	2.18844
-22	176	2.290052
-20	176	2.37639
-18	176	2.449201
-16	176	2.510013
-14	176	2.560155
-12	176	2.600773
-10	176	2.632833
-8	176	2.657138
-6	176	2.674289
-4	176	2.684741
-2	176	2.688771
0	176	2.686481
2	176	2.677478
4	176	2.661854
6	176	2.639185
8	176	2.608895
10	176	2.570242
12	176	2.522277
14	176	2.4639
16	176	2.393815
18	176	2.31053

20	176	2.21236
22	176	2.09739
24	176	1.96347
26	176	1.80819
28	176	1.62883
30	176	1.42232
32	176	1.18488
34	176	0.91283
36	176	0.60154
38	176	0.2456
40	176	-0.16137
42	176	-0.6271
44	176	-1.16108
46	176	-1.77519
48	176	-2.48473
50	176	-3.30997
52	176	-4.27865
54	176	-5.43036
56	176	-6.8245
58	176	-8.5561
60	176	-10.7898
62	176	-13.8371
64	176	-18.2764
66	176	-22.767
68	176	-18.6857
70	176	-13.9612
72	176	-10.6903
74	176	-8.2801
76	176	-6.3982
78	176	-4.87103
80	176	-3.59976
82	176	-2.52338
84	176	-1.60182
86	176	-0.8074
88	176	-0.12028
90	176	0.47427
92	176	0.98858
94	176	1.43024
96	176	1.80618
98	176	2.12201
100	176	2.382331
102	176	2.590967
104	176	2.751153
106	176	2.865655
108	176	2.936861
110	176	2.966866
112	176	2.957525
114	176	2.910505
116	176	2.827337
118	176	2.709415
120	176	2.558048
122	176	2.375502
124	176	2.16198
126	176	1.91868
128	176	1.6468
130	176	1.34758
132	176	1.02232
134	176	0.67238
136	176	0.29924
138	176	-0.09543
140	176	-0.50982
142	176	-0.94187
144	176	-1.38922
146	176	-1.84924
148	176	-2.31889
150	176	-2.79472
152	176	-3.2731
154	176	-3.74938
156	176	-4.21874
158	176	-4.67586
160	176	-5.11511
162	176	-5.53056
164	176	-5.91619
166	176	-6.26601
168	176	-6.57438
170	176	-6.8361
172	176	-7.0467
174	176	-7.2024
176	176	-7.3006
178	176	-7.3393
180	176	-7.3179
-180	178	2.685153
-178	178	2.688955
-176	178	2.695483
-174	178	2.704623
-172	178	2.716219
-170	178	2.730053
-168	178	2.745905
-166	178	2.763472
-164	178	2.782435
-162	178	2.802428
-160	178	2.823063
-158	178	2.843908
-156	178	2.864508
-154	178	2.884384
-152	178	2.90304
-150	178	2.919947
-148	178	2.934568
-146	178	2.946354
-144	178	2.954736
-142	178	2.959136
-140	178	2.958971
-138	178	2.953651
-136	178	2.942573
-134	178	2.925147
-132	178	2.90077
-130	178	2.868826
-128	178	2.828715
-126	178	2.779819
-124	178	2.721528
-122	178	2.653226
-120	178	2.574297
-118	178	2.484108
-116	178	2.382023
-114	178	2.267413
-112	178	2.13961
-110	178	1.99794

-108	178	1.84173
-106	178	1.67026
-104	178	1.48279
-102	178	1.27855
-100	178	1.05671
-98	178	0.81643
-96	178	0.55677
-94	178	0.27673
-92	178	-0.02474
-90	178	-0.34884
-88	178	-0.69632
-86	178	-1.06915
-84	178	-1.46897
-82	178	-1.8976
-80	178	-2.35715
-78	178	-2.84999
-76	178	-3.3789
-74	178	-3.94714
-72	178	-4.55853
-70	178	-5.21769
-68	178	-5.93013
-66	178	-6.70254
-64	178	-7.5433
-62	178	-8.4627
-60	178	-9.474
-58	178	-10.5937
-56	178	-11.8433
-54	178	-13.2498
-52	178	-14.8451
-50	178	-16.6588
-48	178	-18.684
-46	178	-20.7548
-44	178	-22.2709
-42	178	-22.3297
-40	178	-21.0258
-38	178	-19.2816
-36	178	-17.6238
-34	178	-16.1839
-32	178	-14.9595
-30	178	-13.9202
-28	178	-13.0345
-26	178	-12.2765
-24	178	-11.6258
-22	178	-11.0665
-20	178	-10.5863
-18	178	-10.1756
-16	178	-9.8268
-14	178	-9.534
-12	178	-9.2926
-10	178	-9.0989
-8	178	-8.95
-6	178	-8.844
-4	178	-8.7795
-2	178	-8.7555
0	178	-8.7718
2	178	-8.8287
4	178	-8.927
6	178	-9.0678
8	178	-9.2532
10	178	-9.4859
12	178	-9.7693
14	178	-10.108
16	178	-10.5078
18	178	-10.976
20	178	-11.5222
22	178	-12.1584
24	178	-12.9005
26	178	-13.769
28	178	-14.791
30	178	-16.0008
32	178	-17.4384
34	178	-19.1315
36	178	-21.0157
38	178	-22.6661
40	178	-23.0271
42	178	-21.618
44	178	-19.4295
46	178	-17.264
48	178	-15.3396
50	178	-13.6623
52	178	-12.1947
54	178	-10.8985
56	178	-9.7422
58	178	-8.7016
60	178	-7.758
62	178	-6.8971
64	178	-6.10745
66	178	-5.38017
68	178	-4.70798
70	178	-4.08505
72	178	-3.50648
74	178	-2.96824
76	178	-2.46692
78	178	-1.9996
80	178	-1.56378
82	178	-1.15731
84	178	-0.77828
86	178	-0.42503
88	178	-0.09606
90	178	0.20998
92	178	0.49485
94	178	0.75909
96	178	1.00373
98	178	1.22969
100	178	1.43786
102	178	1.62907
104	178	1.8041
106	178	1.9637
108	178	2.10859
110	178	2.239465
112	178	2.356998
114	178	2.461848
116	178	2.554661
118	178	2.636075
120	178	2.706713
122	178	2.76721
124	178	2.818171

126	178	2.860213
128	178	2.893948
130	178	2.919986
132	178	2.938931
134	178	2.951394
136	178	2.957966
138	178	2.959254
140	178	2.955842
142	178	2.948316
144	178	2.937264
146	178	2.923247
148	178	2.906815
150	178	2.888523
152	178	2.866889
154	178	2.848421
156	178	2.827599
158	178	2.806894
160	178	2.786731
162	178	2.767504
164	178	2.749597
166	178	2.733334
168	178	2.719018
170	178	2.706898
172	178	2.697192
174	178	2.690062
176	178	2.685633
178	178	2.683987
180	178	2.685153
-180	180	-0.06426
-178	180	-0.06426
-176	180	-0.06426
-174	180	-0.06426
-172	180	-0.06426
-170	180	-0.06426
-168	180	-0.06426
-166	180	-0.06426
-164	180	-0.06426
-162	180	-0.06426
-160	180	-0.06426
-158	180	-0.06426
-156	180	-0.06426
-154	180	-0.06426
-152	180	-0.06426
-150	180	-0.06426
-148	180	-0.06426
-146	180	-0.06426
-144	180	-0.06426
-142	180	-0.06426
-140	180	-0.06426
-138	180	-0.06426
-136	180	-0.06426
-134	180	-0.06426
-132	180	-0.06426
-130	180	-0.06426
-128	180	-0.06426
-126	180	-0.06426
-124	180	-0.06426
-122	180	-0.06426
-120	180	-0.06426
-118	180	-0.06426
-116	180	-0.06426
-114	180	-0.06426
-112	180	-0.06426
-110	180	-0.06426
-108	180	-0.06426
-106	180	-0.06426
-104	180	-0.06426
-102	180	-0.06426
-100	180	-0.06426
-98	180	-0.06426
-96	180	-0.06426
-94	180	-0.06426
-92	180	-0.06426
-90	180	-0.06426
-88	180	-0.06426
-86	180	-0.06426
-84	180	-0.06426
-82	180	-0.06426
-80	180	-0.06426
-78	180	-0.06426
-76	180	-0.06426
-74	180	-0.06426
-72	180	-0.06426
-70	180	-0.06426
-68	180	-0.06426
-66	180	-0.06426
-64	180	-0.06426
-62	180	-0.06426
-60	180	-0.06426
-58	180	-0.06426
-56	180	-0.06426
-54	180	-0.06426
-52	180	-0.06426
-50	180	-0.06426
-48	180	-0.06426
-46	180	-0.06426
-44	180	-0.06426
-42	180	-0.06426
-40	180	-0.06426
-38	180	-0.06426
-36	180	-0.06426
-34	180	-0.06426
-32	180	-0.06426
-30	180	-0.06426
-28	180	-0.06426
-26	180	-0.06426
-24	180	-0.06426
-22	180	-0.06426
-20	180	-0.06426
-18	180	-0.06426
-16	180	-0.06426
-14	180	-0.06426
-12	180	-0.06426
-10	180	-0.06426
-8	180	-0.06426
-6	180	-0.06426
-4	180	-0.06426

-2	180	-0.06426
0	180	-0.06426
2	180	-0.06426
4	180	-0.06426
6	180	-0.06426
8	180	-0.06426
10	180	-0.06426
12	180	-0.06426
14	180	-0.06426
16	180	-0.06426
18	180	-0.06426
20	180	-0.06426
22	180	-0.06426
24	180	-0.06426
26	180	-0.06426
28	180	-0.06426
30	180	-0.06426
32	180	-0.06426
34	180	-0.06426
36	180	-0.06426
38	180	-0.06426
40	180	-0.06426
42	180	-0.06426
44	180	-0.06426
46	180	-0.06426
48	180	-0.06426
50	180	-0.06426
52	180	-0.06426
54	180	-0.06426
56	180	-0.06426
58	180	-0.06426
60	180	-0.06426
62	180	-0.06426
64	180	-0.06426
66	180	-0.06426
68	180	-0.06426
70	180	-0.06426
72	180	-0.06426
74	180	-0.06426
76	180	-0.06426
78	180	-0.06426
80	180	-0.06426
82	180	-0.06426
84	180	-0.06426
86	180	-0.06426
88	180	-0.06426
90	180	-0.06426
92	180	-0.06426
94	180	-0.06426
96	180	-0.06426
98	180	-0.06426
100	180	-0.06426
102	180	-0.06426
104	180	-0.06426
106	180	-0.06426
108	180	-0.06426
110	180	-0.06426
112	180	-0.06426
114	180	-0.06426
116	180	-0.06426
118	180	-0.06426
120	180	-0.06426
122	180	-0.06426
124	180	-0.06426
126	180	-0.06426
128	180	-0.06426
130	180	-0.06426
132	180	-0.06426
134	180	-0.06426
136	180	-0.06426
138	180	-0.06426
140	180	-0.06426
142	180	-0.06426
144	180	-0.06426
146	180	-0.06426
148	180	-0.06426
150	180	-0.06426
152	180	-0.06426
154	180	-0.06426
156	180	-0.06426
158	180	-0.06426
160	180	-0.06426
162	180	-0.06426
164	180	-0.06426
166	180	-0.06426
168	180	-0.06426
170	180	-0.06426
172	180	-0.06426
174	180	-0.06426
176	180	-0.06426
178	180	-0.06426
180	180	-0.06426

Phi[deg]	Theta[deg]	dB(GainTotal RHCP)
-180	0	-24.9499
-179	0	-24.9499
-178	0	-24.9499
-177	0	-24.9499
-176	0	-24.9499
-175	0	-24.9499
-174	0	-24.9499
-173	0	-24.9499
-172	0	-24.9499
-171	0	-24.9499
-170	0	-24.9499
-169	0	-24.9499
-168	0	-24.9499
-167	0	-24.9499
-166	0	-24.9499
-165	0	-24.9499
-164	0	-24.9499
-163	0	-24.9499
-162	0	-24.9499
-161	0	-24.9499
-160	0	-24.9499
-159	0	-24.9499
-158	0	-24.9499
-157	0	-24.9499
-156	0	-24.9499
-155	0	-24.9499
-154	0	-24.9499
-153	0	-24.9499
-152	0	-24.9499
-151	0	-24.9499
-150	0	-24.9499
-149	0	-24.9499
-148	0	-24.9499
-147	0	-24.9499
-146	0	-24.9499
-145	0	-24.9499
-144	0	-24.9499
-143	0	-24.9499
-142	0	-24.9499
-141	0	-24.9499
-140	0	-24.9499
-139	0	-24.9499
-138	0	-24.9499
-137	0	-24.9499
-136	0	-24.9499
-135	0	-24.9499
-134	0	-24.9499
-133	0	-24.9499
-132	0	-24.9499
-131	0	-24.9499
-130	0	-24.9499
-129	0	-24.9499
-128	0	-24.9499
-127	0	-24.9499
-126	0	-24.9499
-125	0	-24.9499
-124	0	-24.9499
-123	0	-24.9499
-122	0	-24.9499
-121	0	-24.9499
-120	0	-24.9499
-119	0	-24.9499
-118	0	-24.9499
-117	0	-24.9499
-116	0	-24.9499
-115	0	-24.9499
-114	0	-24.9499
-113	0	-24.9499
-112	0	-24.9499
-111	0	-24.9499
-110	0	-24.9499
-109	0	-24.9499
-108	0	-24.9499
-107	0	-24.9499
-106	0	-24.9499
-105	0	-24.9499
-104	0	-24.9499
-103	0	-24.9499
-102	0	-24.9499
-101	0	-24.9499
-100	0	-24.9499
-99	0	-24.9499
-98	0	-24.9499
-97	0	-24.9499
-96	0	-24.9499
-95	0	-24.9499
-94	0	-24.9499
-93	0	-24.9499
-92	0	-24.9499
-91	0	-24.9499
-90	0	-24.9499
-89	0	-24.9499
-88	0	-24.9499
-87	0	-24.9499
-86	0	-24.9499
-85	0	-24.9499

PAYLOAD OTM ANTENNA NOTES:

PHI AND THETA ARE ANGLES WITHIN THE OTM ANTENNA REFERENCE FRAME.
 X, Y AND Z ARE DIRECTIONS IN CARTESIAN FRAMES
 ANTENNA CARTESIAN FRAME DEFINED W.R.T. VEHICLE BODY FRAME BY DCM.
 VEHICLE BODY FRAME Y AXIS IS ORIENTATED ALONG VEHICLE MAIN AXIS (CYLINDER AXIS).
 VEHICLE BODY FRAME X AND Z AXES COLINEAR TO VEHICLE CYLINDER BASE PLANE. WITH Z AT VEHICLE DATUM.
 MAGENTA CIRCLES REPRESENT ANTENNA PAIR MOUNTINGS.
 ALL ANTENNAS ON PAYLOAD ARE RHCP.
 Angle BODY to ANT 45 deg
 0.785398 rad

THE COORDINATES OF THE ANTENNA FRAME VECTORS IN THE BODY FRAME ARE THE FOLLOWING

	X_BODY	Y_BODY	Z_BODY
X_ANT	0.707107	0	0.707107
Y_ANT	0.707107	0	-0.707111
Z_ANT	0	1	0

-84	0	-24.9499
-83	0	-24.9499
-82	0	-24.9499
-81	0	-24.9499
-80	0	-24.9499
-79	0	-24.9499
-78	0	-24.9499
-77	0	-24.9499
-76	0	-24.9499
-75	0	-24.9499
-74	0	-24.9499
-73	0	-24.9499
-72	0	-24.9499
-71	0	-24.9499
-70	0	-24.9499
-69	0	-24.9499
-68	0	-24.9499
-67	0	-24.9499
-66	0	-24.9499
-65	0	-24.9499
-64	0	-24.9499
-63	0	-24.9499
-62	0	-24.9499
-61	0	-24.9499
-60	0	-24.9499
-59	0	-24.9499
-58	0	-24.9499
-57	0	-24.9499
-56	0	-24.9499
-55	0	-24.9499
-54	0	-24.9499
-53	0	-24.9499
-52	0	-24.9499
-51	0	-24.9499
-50	0	-24.9499
-49	0	-24.9499
-48	0	-24.9499
-47	0	-24.9499
-46	0	-24.9499
-45	0	-24.9499
-44	0	-24.9499
-43	0	-24.9499
-42	0	-24.9499
-41	0	-24.9499
-40	0	-24.9499
-39	0	-24.9499
-38	0	-24.9499
-37	0	-24.9499
-36	0	-24.9499
-35	0	-24.9499
-34	0	-24.9499
-33	0	-24.9499
-32	0	-24.9499
-31	0	-24.9499
-30	0	-24.9499
-29	0	-24.9499
-28	0	-24.9499
-27	0	-24.9499
-26	0	-24.9499
-25	0	-24.9499
-24	0	-24.9499
-23	0	-24.9499
-22	0	-24.9499
-21	0	-24.9499
-20	0	-24.9499
-19	0	-24.9499
-18	0	-24.9499
-17	0	-24.9499
-16	0	-24.9499
-15	0	-24.9499
-14	0	-24.9499
-13	0	-24.9499
-12	0	-24.9499
-11	0	-24.9499
-10	0	-24.9499
-9	0	-24.9499
-8	0	-24.9499
-7	0	-24.9499
-6	0	-24.9499
-5	0	-24.9499
-4	0	-24.9499
-3	0	-24.9499
-2	0	-24.9499
-1	0	-24.9499
0	0	-24.9499
1	0	-24.9499
2	0	-24.9499
3	0	-24.9499
4	0	-24.9499
5	0	-24.9499
6	0	-24.9499
7	0	-24.9499
8	0	-24.9499
9	0	-24.9499
10	0	-24.9499
11	0	-24.9499
12	0	-24.9499

13	0	-24.9499
14	0	-24.9499
15	0	-24.9499
16	0	-24.9499
17	0	-24.9499
18	0	-24.9499
19	0	-24.9499
20	0	-24.9499
21	0	-24.9499
22	0	-24.9499
23	0	-24.9499
24	0	-24.9499
25	0	-24.9499
26	0	-24.9499
27	0	-24.9499
28	0	-24.9499
29	0	-24.9499
30	0	-24.9499
31	0	-24.9499
32	0	-24.9499
33	0	-24.9499
34	0	-24.9499
35	0	-24.9499
36	0	-24.9499
37	0	-24.9499
38	0	-24.9499
39	0	-24.9499
40	0	-24.9499
41	0	-24.9499
42	0	-24.9499
43	0	-24.9499
44	0	-24.9499
45	0	-24.9499
46	0	-24.9499
47	0	-24.9499
48	0	-24.9499
49	0	-24.9499
50	0	-24.9499
51	0	-24.9499
52	0	-24.9499
53	0	-24.9499
54	0	-24.9499
55	0	-24.9499
56	0	-24.9499
57	0	-24.9499
58	0	-24.9499
59	0	-24.9499
60	0	-24.9499
61	0	-24.9499
62	0	-24.9499
63	0	-24.9499
64	0	-24.9499
65	0	-24.9499
66	0	-24.9499
67	0	-24.9499
68	0	-24.9499
69	0	-24.9499
70	0	-24.9499
71	0	-24.9499
72	0	-24.9499
73	0	-24.9499
74	0	-24.9499
75	0	-24.9499
76	0	-24.9499
77	0	-24.9499
78	0	-24.9499
79	0	-24.9499
80	0	-24.9499
81	0	-24.9499
82	0	-24.9499
83	0	-24.9499
84	0	-24.9499
85	0	-24.9499
86	0	-24.9499
87	0	-24.9499
88	0	-24.9499
89	0	-24.9499
90	0	-24.9499
91	0	-24.9499
92	0	-24.9499
93	0	-24.9499
94	0	-24.9499
95	0	-24.9499
96	0	-24.9499
97	0	-24.9499
98	0	-24.9499
99	0	-24.9499
100	0	-24.9499
101	0	-24.9499
102	0	-24.9499
103	0	-24.9499
104	0	-24.9499
105	0	-24.9499
106	0	-24.9499
107	0	-24.9499
108	0	-24.9499
109	0	-24.9499

110	0	-24.9499
111	0	-24.9499
112	0	-24.9499
113	0	-24.9499
114	0	-24.9499
115	0	-24.9499
116	0	-24.9499
117	0	-24.9499
118	0	-24.9499
119	0	-24.9499
120	0	-24.9499
121	0	-24.9499
122	0	-24.9499
123	0	-24.9499
124	0	-24.9499
125	0	-24.9499
126	0	-24.9499
127	0	-24.9499
128	0	-24.9499
129	0	-24.9499
130	0	-24.9499
131	0	-24.9499
132	0	-24.9499
133	0	-24.9499
134	0	-24.9499
135	0	-24.9499
136	0	-24.9499
137	0	-24.9499
138	0	-24.9499
139	0	-24.9499
140	0	-24.9499
141	0	-24.9499
142	0	-24.9499
143	0	-24.9499
144	0	-24.9499
145	0	-24.9499
146	0	-24.9499
147	0	-24.9499
148	0	-24.9499
149	0	-24.9499
150	0	-24.9499
151	0	-24.9499
152	0	-24.9499
153	0	-24.9499
154	0	-24.9499
155	0	-24.9499
156	0	-24.9499
157	0	-24.9499
158	0	-24.9499
159	0	-24.9499
160	0	-24.9499
161	0	-24.9499
162	0	-24.9499
163	0	-24.9499
164	0	-24.9499
165	0	-24.9499
166	0	-24.9499
167	0	-24.9499
168	0	-24.9499
169	0	-24.9499
170	0	-24.9499
171	0	-24.9499
172	0	-24.9499
173	0	-24.9499
174	0	-24.9499
175	0	-24.9499
176	0	-24.9499
177	0	-24.9499
178	0	-24.9499
179	0	-24.9499
180	0	-24.9499
-180	1	-7.57162
-179	1	-7.56779
-178	1	-7.56612
-177	1	-7.56655
-176	1	-7.5692
-175	1	-7.57403
-174	1	-7.5811
-173	1	-7.59037
-172	1	-7.6018
-171	1	-7.61532
-170	1	-7.63093
-169	1	-7.64864
-168	1	-7.66856
-167	1	-7.69077
-166	1	-7.71531
-165	1	-7.74212
-164	1	-7.77111
-163	1	-7.80222
-162	1	-7.83544
-161	1	-7.87082
-160	1	-7.90849
-159	1	-7.94866
-158	1	-7.99115
-157	1	-8.0361
-156	1	-8.08343
-155	1	-8.13317

-154	1	-8.18536
-153	1	-8.24006
-152	1	-8.29732
-151	1	-8.35733
-150	1	-8.41998
-149	1	-8.48535
-148	1	-8.55375
-147	1	-8.62463
-146	1	-8.69802
-145	1	-8.77451
-144	1	-8.85366
-143	1	-8.93578
-142	1	-9.02081
-141	1	-9.10878
-140	1	-9.19981
-139	1	-9.29422
-138	1	-9.39193
-137	1	-9.49319
-136	1	-9.59796
-135	1	-9.70647
-134	1	-9.81859
-133	1	-9.93445
-132	1	-10.0541
-131	1	-10.1776
-130	1	-10.3052
-129	1	-10.437
-128	1	-10.5731
-127	1	-10.7136
-126	1	-10.8588
-125	1	-11.0087
-124	1	-11.1635
-123	1	-11.3233
-122	1	-11.4882
-121	1	-11.6584
-120	1	-11.834
-119	1	-12.0156
-118	1	-12.2033
-117	1	-12.3973
-116	1	-12.5985
-115	1	-12.8066
-114	1	-13.0223
-113	1	-13.2456
-112	1	-13.4768
-111	1	-13.7164
-110	1	-13.9646
-109	1	-14.2222
-108	1	-14.4896
-107	1	-14.7675
-106	1	-15.0568
-105	1	-15.3579
-104	1	-15.6716
-103	1	-15.9988
-102	1	-16.3406
-101	1	-16.6982
-100	1	-17.073
-99	1	-17.4664
-98	1	-17.8801
-97	1	-18.3161
-96	1	-18.776
-95	1	-19.2623
-94	1	-19.7779
-93	1	-20.3268
-92	1	-20.9138
-91	1	-21.5438
-90	1	-22.2234
-89	1	-22.9604
-88	1	-23.7631
-87	1	-24.6435
-86	1	-25.6165
-85	1	-26.7008
-84	1	-27.9201
-83	1	-29.3027
-82	1	-30.8764
-81	1	-32.6498
-80	1	-34.5319
-79	1	-36.1329
-78	1	-36.6375
-77	1	-35.6627
-76	1	-33.906
-75	1	-32.0594
-74	1	-30.3741
-73	1	-28.8892
-72	1	-27.5873
-71	1	-26.4392
-70	1	-25.4177
-69	1	-24.501
-68	1	-23.6711
-67	1	-22.914
-66	1	-22.2188
-65	1	-21.5772
-64	1	-20.9819
-63	1	-20.4277
-62	1	-19.9103
-61	1	-19.4251
-60	1	-18.9693
-59	1	-18.5412
-58	1	-18.1332

-57	1	-17.7478
-56	1	-17.3824
-55	1	-17.0352
-54	1	-16.7048
-53	1	-16.3904
-52	1	-16.0908
-51	1	-15.8048
-50	1	-15.5317
-49	1	-15.2704
-48	1	-15.02
-47	1	-14.7799
-46	1	-14.5495
-45	1	-14.3281
-44	1	-14.1155
-43	1	-13.9109
-42	1	-13.715
-41	1	-13.5269
-40	1	-13.3462
-39	1	-13.1727
-38	1	-13.006
-37	1	-12.8458
-36	1	-12.6916
-35	1	-12.5435
-34	1	-12.4008
-33	1	-12.2638
-32	1	-12.132
-31	1	-12.0055
-30	1	-11.8841
-29	1	-11.7677
-28	1	-11.6562
-27	1	-11.5496
-26	1	-11.4475
-25	1	-11.3498
-24	1	-11.2565
-23	1	-11.1674
-22	1	-11.0824
-21	1	-11.0013
-20	1	-10.9241
-19	1	-10.8508
-18	1	-10.781
-17	1	-10.715
-16	1	-10.6526
-15	1	-10.5937
-14	1	-10.5384
-13	1	-10.4865
-12	1	-10.4381
-11	1	-10.393
-10	1	-10.3513
-9	1	-10.3129
-8	1	-10.2779
-7	1	-10.2463
-6	1	-10.2179
-5	1	-10.1929
-4	1	-10.1709
-3	1	-10.1522
-2	1	-10.1366
-1	1	-10.1241
0	1	-10.1147
1	1	-10.1087
2	1	-10.1058
3	1	-10.1061
4	1	-10.1095
5	1	-10.116
6	1	-10.1255
7	1	-10.138
8	1	-10.1538
9	1	-10.1726
10	1	-10.1946
11	1	-10.2199
12	1	-10.2483
13	1	-10.2799
14	1	-10.3147
15	1	-10.3527
16	1	-10.3939
17	1	-10.4385
18	1	-10.4864
19	1	-10.5376
20	1	-10.5921
21	1	-10.6503
22	1	-10.712
23	1	-10.7773
24	1	-10.8463
25	1	-10.9191
26	1	-10.9955
27	1	-11.0758
28	1	-11.1599
29	1	-11.2482
30	1	-11.3406
31	1	-11.4373
32	1	-11.5386
33	1	-11.6438
34	1	-11.753
35	1	-11.867
36	1	-11.9851
37	1	-12.108
38	1	-12.2357
39	1	-12.3683

40	1	-12.5062
41	1	-12.6498
42	1	-12.7991
43	1	-12.9544
44	1	-13.1156
45	1	-13.2832
46	1	-13.4574
47	1	-13.6384
48	1	-13.8267
49	1	-14.0223
50	1	-14.2257
51	1	-14.437
52	1	-14.6568
53	1	-14.8857
54	1	-15.1243
55	1	-15.3733
56	1	-15.6332
57	1	-15.9045
58	1	-16.1878
59	1	-16.4839
60	1	-16.794
61	1	-17.1198
62	1	-17.4624
63	1	-17.8234
64	1	-18.2046
65	1	-18.6073
66	1	-19.0337
67	1	-19.4862
68	1	-19.9679
69	1	-20.483
70	1	-21.0358
71	1	-21.6316
72	1	-22.2774
73	1	-22.9812
74	1	-23.7538
75	1	-24.6083
76	1	-25.5626
77	1	-26.6426
78	1	-27.8845
79	1	-29.344
80	1	-31.1101
81	1	-33.3403
82	1	-36.3594
83	1	-41.0124
84	1	-50.7141
85	1	-47.005
86	1	-39.4144
87	1	-35.3308
88	1	-32.5424
89	1	-30.4253
90	1	-28.7177
91	1	-27.287
92	1	-26.0576
93	1	-24.9796
94	1	-24.0205
95	1	-23.1569
96	1	-22.3717
97	1	-21.652
98	1	-20.9882
99	1	-20.372
100	1	-19.798
101	1	-19.2607
102	1	-18.7562
103	1	-18.2806
104	1	-17.8312
105	1	-17.4054
106	1	-17.0013
107	1	-16.6168
108	1	-16.2509
109	1	-15.9022
110	1	-15.5692
111	1	-15.2507
112	1	-14.9456
113	1	-14.6529
114	1	-14.3716
115	1	-14.1012
116	1	-13.841
117	1	-13.5905
118	1	-13.3496
119	1	-13.1174
120	1	-12.8938
121	1	-12.6808
122	1	-12.4698
123	1	-12.2685
124	1	-12.0742
125	1	-11.8865
126	1	-11.7051
127	1	-11.5301
128	1	-11.361
129	1	-11.1976
130	1	-11.0396
131	1	-10.8868
132	1	-10.7387
133	1	-10.5954
134	1	-10.4567
135	1	-10.3221
136	1	-10.1919

137	1	-10.0655
138	1	-9.94381
139	1	-9.8262
140	1	-9.71239
141	1	-9.60253
142	1	-9.4964
143	1	-9.39377
144	1	-9.29456
145	1	-9.19881
146	1	-9.10616
147	1	-9.01676
148	1	-8.9304
149	1	-8.84713
150	1	-8.76698
151	1	-8.68988
152	1	-8.61576
153	1	-8.54463
154	1	-8.47637
155	1	-8.41094
156	1	-8.3482
157	1	-8.28817
158	1	-8.23077
159	1	-8.1759
160	1	-8.12359
161	1	-8.07379
162	1	-8.02636
163	1	-7.98139
164	1	-7.93872
165	1	-7.89848
166	1	-7.86061
167	1	-7.82505
168	1	-7.79184
169	1	-7.76098
170	1	-7.73248
171	1	-7.70624
172	1	-7.68236
173	1	-7.66076
174	1	-7.64137
175	1	-7.62421
176	1	-7.60923
177	1	-7.59649
178	1	-7.586
179	1	-7.57771
180	1	-7.57162
-180	2	-2.35518
-179	2	-2.35188
-178	2	-2.35115
-177	2	-2.35285
-176	2	-2.35679
-175	2	-2.36313
-174	2	-2.37203
-173	2	-2.38354
-172	2	-2.39745
-171	2	-2.4139
-170	2	-2.43291
-169	2	-2.45456
-168	2	-2.4788
-167	2	-2.50561
-166	2	-2.53484
-165	2	-2.56662
-164	2	-2.60104
-163	2	-2.63803
-162	2	-2.6775
-161	2	-2.71963
-160	2	-2.76442
-159	2	-2.81197
-158	2	-2.86248
-157	2	-2.91588
-156	2	-2.97183
-155	2	-3.03059
-154	2	-3.09234
-153	2	-3.15661
-152	2	-3.22319
-151	2	-3.2923
-150	2	-3.36404
-149	2	-3.43826
-148	2	-3.51491
-147	2	-3.59401
-146	2	-3.67537
-145	2	-3.75899
-144	2	-3.84493
-143	2	-3.93344
-142	2	-4.02494
-141	2	-4.12005
-140	2	-4.21897
-139	2	-4.32135
-138	2	-4.42662
-137	2	-4.53438
-136	2	-4.64486
-135	2	-4.75851
-134	2	-4.87549
-133	2	-4.99551
-132	2	-5.11791
-131	2	-5.24323
-130	2	-5.37303
-129	2	-5.51154
-128	2	-5.65349

-127	2	-5.80414
-126	2	-5.95408
-125	2	-6.10344
-124	2	-6.25933
-123	2	-6.42397
-122	2	-6.59715
-121	2	-6.77839
-120	2	-6.96608
-119	2	-7.15984
-118	2	-7.36236
-117	2	-7.57406
-116	2	-7.79449
-115	2	-8.02321
-114	2	-8.26176
-113	2	-8.51209
-112	2	-8.77455
-111	2	-9.04847
-110	2	-9.33414
-109	2	-9.63317
-108	2	-9.94691
-107	2	-10.2756
-106	2	-10.6195
-105	2	-10.9805
-104	2	-11.3608
-103	2	-11.7618
-102	2	-12.1841
-101	2	-12.63
-100	2	-13.103
-99	2	-13.6064
-98	2	-14.1432
-97	2	-14.7177
-96	2	-15.3349
-95	2	-16.0003
-94	2	-16.7204
-93	2	-17.5059
-92	2	-18.3714
-91	2	-19.3326
-90	2	-20.4089
-89	2	-21.6285
-88	2	-23.0313
-87	2	-24.6721
-86	2	-26.6165
-85	2	-28.9181
-84	2	-31.4251
-83	2	-33.0725
-82	2	-32.2221
-81	2	-29.8404
-80	2	-27.4314
-79	2	-25.3659
-78	2	-23.6311
-77	2	-22.159
-76	2	-20.8871
-75	2	-19.7715
-74	2	-18.7823
-73	2	-17.8969
-72	2	-17.0934
-71	2	-16.3589
-70	2	-15.6846
-69	2	-15.0645
-68	2	-14.4882
-67	2	-13.9508
-66	2	-13.448
-65	2	-12.978
-64	2	-12.5362
-63	2	-12.1182
-62	2	-11.7216
-61	2	-11.3468
-60	2	-10.9968
-59	2	-10.6603
-58	2	-10.3341
-57	2	-10.0253
-56	2	-9.73256
-55	2	-9.45516
-54	2	-9.19281
-53	2	-8.94251
-52	2	-8.69537
-51	2	-8.45102
-50	2	-8.21864
-49	2	-8.0006
-48	2	-7.79304
-47	2	-7.59346
-46	2	-7.40008
-45	2	-7.21257
-44	2	-7.03204
-43	2	-6.85925
-42	2	-6.69362
-41	2	-6.53412
-40	2	-6.37988
-39	2	-6.23061
-38	2	-6.08671
-37	2	-5.9485
-36	2	-5.81589
-35	2	-5.68883
-34	2	-5.56519
-33	2	-5.44624
-32	2	-5.33144
-31	2	-5.2211

-30	2	-5.11541
-29	2	-5.01434
-28	2	-4.91755
-27	2	-4.82457
-26	2	-4.73517
-25	2	-4.64921
-24	2	-4.56677
-23	2	-4.48812
-22	2	-4.41337
-21	2	-4.3425
-20	2	-4.27509
-19	2	-4.21081
-18	2	-4.14949
-17	2	-4.09099
-16	2	-4.03507
-15	2	-3.98159
-14	2	-3.93062
-13	2	-3.88263
-12	2	-3.83821
-11	2	-3.79765
-10	2	-3.76094
-9	2	-3.72767
-8	2	-3.69747
-7	2	-3.66998
-6	2	-3.64503
-5	2	-3.62244
-4	2	-3.60225
-3	2	-3.58456
-2	2	-3.5695
-1	2	-3.55707
0	2	-3.54724
1	2	-3.54022
2	2	-3.53586
3	2	-3.53415
4	2	-3.53513
5	2	-3.53888
6	2	-3.54503
7	2	-3.55398
8	2	-3.56563
9	2	-3.58004
10	2	-3.59712
11	2	-3.617
12	2	-3.63972
13	2	-3.66522
14	2	-3.69354
15	2	-3.72481
16	2	-3.75904
17	2	-3.79616
18	2	-3.83618
19	2	-3.87925
20	2	-3.92537
21	2	-3.97458
22	2	-4.02701
23	2	-4.08268
24	2	-4.14147
25	2	-4.20366
26	2	-4.26937
27	2	-4.33831
28	2	-4.41058
29	2	-4.48646
30	2	-4.56611
31	2	-4.64954
32	2	-4.73657
33	2	-4.82722
34	2	-4.92155
35	2	-5.01949
36	2	-5.12087
37	2	-5.22629
38	2	-5.33664
39	2	-5.45266
40	2	-5.57476
41	2	-5.70282
42	2	-5.83604
43	2	-5.97391
44	2	-6.11686
45	2	-6.26516
46	2	-6.41847
47	2	-6.57664
48	2	-6.73932
49	2	-6.90704
50	2	-7.0817
51	2	-7.26863
52	2	-7.46161
53	2	-7.6663
54	2	-7.87131
55	2	-8.07669
56	2	-8.29108
57	2	-8.51743
58	2	-8.75558
59	2	-9.00498
60	2	-9.26381
61	2	-9.53185
62	2	-9.81264
63	2	-10.107
64	2	-10.4149
65	2	-10.7361
66	2	-11.0733

67	2	-11.4301
68	2	-11.8083
69	2	-12.2068
70	2	-12.6262
71	2	-13.072
72	2	-13.5503
73	2	-14.0634
74	2	-14.6128
75	2	-15.2048
76	2	-15.848
77	2	-16.55
78	2	-17.317
79	2	-18.1636
80	2	-19.114
81	2	-20.1964
82	2	-21.4421
83	2	-22.8987
84	2	-24.6507
85	2	-26.8514
86	2	-29.7986
87	2	-34.1748
88	2	-41.2882
89	2	-39.008
90	2	-32.7138
91	2	-28.8528
92	2	-26.1503
93	2	-24.083
94	2	-22.4169
95	2	-21.0244
96	2	-19.8279
97	2	-18.7805
98	2	-17.8512
99	2	-17.0173
100	2	-16.2604
101	2	-15.568
102	2	-14.9316
103	2	-14.3436
104	2	-13.7971
105	2	-13.287
106	2	-12.8096
107	2	-12.3619
108	2	-11.9381
109	2	-11.5365
110	2	-11.1558
111	2	-10.7952
112	2	-10.4505
113	2	-10.1211
114	2	-9.80559
115	2	-9.50441
116	2	-9.21583
117	2	-8.93804
118	2	-8.67025
119	2	-8.41347
120	2	-8.17074
121	2	-7.93344
122	2	-7.69963
123	2	-7.4759
124	2	-7.2613
125	2	-7.05572
126	2	-6.85921
127	2	-6.67
128	2	-6.48169
129	2	-6.29398
130	2	-6.11409
131	2	-5.94418
132	2	-5.78145
133	2	-5.62405
134	2	-5.47092
135	2	-5.32189
136	2	-5.17792
137	2	-5.03964
138	2	-4.90654
139	2	-4.77776
140	2	-4.65262
141	2	-4.53098
142	2	-4.41333
143	2	-4.30015
144	2	-4.19158
145	2	-4.08726
146	2	-3.98678
147	2	-3.88979
148	2	-3.79607
149	2	-3.70575
150	2	-3.61899
151	2	-3.53587
152	2	-3.45625
153	2	-3.37986
154	2	-3.3065
155	2	-3.23599
156	2	-3.16828
157	2	-3.10363
158	2	-3.04219
159	2	-2.98394
160	2	-2.92851
161	2	-2.87565
162	2	-2.82538
163	2	-2.7777

164	2	-2.73241
165	2	-2.68908
166	2	-2.64754
167	2	-2.60841
168	2	-2.57268
169	2	-2.54075
170	2	-2.51215
171	2	-2.48604
172	2	-2.46226
173	2	-2.44115
174	2	-2.4227
175	2	-2.40625
176	2	-2.39144
177	2	-2.37867
178	2	-2.36854
179	2	-2.36084
180	2	-2.35518
-180	3	0.455322
-179	3	0.458374
-178	3	0.459491
-177	3	0.45797
-176	3	0.45521
-175	3	0.450156
-174	3	0.44307
-173	3	0.434162
-172	3	0.422795
-171	3	0.410052
-170	3	0.394798
-169	3	0.377818
-168	3	0.359271
-167	3	0.338485
-166	3	0.316379
-165	3	0.292193
-164	3	0.26629
-163	3	0.238512
-162	3	0.208551
-161	3	0.176788
-160	3	0.142881
-159	3	0.106813
-158	3	0.0688373
-157	3	0.0286897
-156	3	-0.0138061
-155	3	-0.0585512
-154	3	-0.105925
-153	3	-0.15604
-152	3	-0.209163
-151	3	-0.265198
-150	3	-0.324779
-149	3	-0.387689
-148	3	-0.454175
-147	3	-0.52452
-146	3	-0.598692
-145	3	-0.677078
-144	3	-0.759908
-143	3	-0.84745
-142	3	-0.939485
-141	3	-1.03605
-140	3	-1.13727
-139	3	-1.24317
-138	3	-1.35587
-137	3	-1.46896
-136	3	-1.5889
-135	3	-1.71333
-134	3	-1.84159
-133	3	-1.97351
-132	3	-2.10908
-131	3	-2.24864
-130	3	-2.39197
-129	3	-2.53844
-128	3	-2.6882
-127	3	-2.84126
-126	3	-2.99762
-125	3	-3.15756
-124	3	-3.32168
-123	3	-3.48987
-122	3	-3.66272
-121	3	-3.84152
-120	3	-4.02577
-119	3	-4.21549
-118	3	-4.4136
-117	3	-4.62351
-116	3	-4.83716
-115	3	-5.06364
-114	3	-5.2987
-113	3	-5.54497
-112	3	-5.81378
-111	3	-6.10446
-110	3	-6.39605
-109	3	-6.69563
-108	3	-7.02162
-107	3	-7.36952
-106	3	-7.73378
-105	3	-8.12202
-104	3	-8.5353
-103	3	-8.97283
-102	3	-9.43898
-101	3	-9.93469

-100	3	-10.4616
-99	3	-11.0223
-98	3	-11.6166
-97	3	-12.2518
-96	3	-12.9354
-95	3	-13.6697
-94	3	-14.4674
-93	3	-15.345
-92	3	-16.318
-91	3	-17.4123
-90	3	-18.6604
-89	3	-20.109
-88	3	-21.8293
-87	3	-23.9029
-86	3	-26.3958
-85	3	-29.041
-84	3	-30.2216
-83	3	-28.5121
-82	3	-25.7971
-81	3	-23.3582
-80	3	-21.3306
-79	3	-19.6389
-78	3	-18.2085
-77	3	-16.9713
-76	3	-15.8896
-75	3	-14.9311
-74	3	-14.0662
-73	3	-13.2883
-72	3	-12.5796
-71	3	-11.9274
-70	3	-11.3243
-69	3	-10.7758
-68	3	-10.2523
-67	3	-9.75045
-66	3	-9.29393
-65	3	-8.86342
-64	3	-8.45318
-63	3	-8.06765
-62	3	-7.70262
-61	3	-7.35451
-60	3	-7.0245
-59	3	-6.70997
-58	3	-6.40887
-57	3	-6.12233
-56	3	-5.84886
-55	3	-5.5863
-54	3	-5.3353
-53	3	-5.0952
-52	3	-4.86439
-51	3	-4.64304
-50	3	-4.43164
-49	3	-4.2285
-48	3	-4.03271
-47	3	-3.84519
-46	3	-3.66574
-45	3	-3.49274
-44	3	-3.32613
-43	3	-3.16743
-42	3	-3.01557
-41	3	-2.8683
-40	3	-2.72433
-39	3	-2.58627
-38	3	-2.4596
-37	3	-2.33929
-36	3	-2.2213
-35	3	-2.107
-34	3	-1.99743
-33	3	-1.89312
-32	3	-1.79302
-31	3	-1.69622
-30	3	-1.60265
-29	3	-1.51257
-28	3	-1.42578
-27	3	-1.34156
-26	3	-1.25956
-25	3	-1.17976
-24	3	-1.10236
-23	3	-1.02749
-22	3	-0.955021
-21	3	-0.885143
-20	3	-0.8182
-19	3	-0.754561
-18	3	-0.694606
-17	3	-0.638508
-16	3	-0.586318
-15	3	-0.538013
-14	3	-0.493462
-13	3	-0.452578
-12	3	-0.415063
-11	3	-0.380564
-10	3	-0.348793
-9	3	-0.319402
-8	3	-0.292221
-7	3	-0.267184
-6	3	-0.2443
-5	3	-0.223672
-4	3	-0.205394

-3	3	-0.18953
-2	3	-0.176147
-1	3	-0.165255
0	3	-0.156805
1	3	-0.151024
2	3	-0.147552
3	3	-0.146492
4	3	-0.147653
5	3	-0.151091
6	3	-0.156981
7	3	-0.165152
8	3	-0.175684
9	3	-0.188646
10	3	-0.20401
11	3	-0.221716
12	3	-0.241877
13	3	-0.264441
14	3	-0.289381
15	3	-0.316774
16	3	-0.346674
17	3	-0.3791
18	3	-0.414107
19	3	-0.451802
20	3	-0.492226
21	3	-0.535405
22	3	-0.581324
23	3	-0.629997
24	3	-0.681571
25	3	-0.735877
26	3	-0.793298
27	3	-0.853808
28	3	-0.917396
29	3	-0.984365
30	3	-1.05481
31	3	-1.12858
32	3	-1.20586
33	3	-1.28682
34	3	-1.3713
35	3	-1.45955
36	3	-1.55209
37	3	-1.6486
38	3	-1.74909
39	3	-1.85388
40	3	-1.96293
41	3	-2.0768
42	3	-2.19755
43	3	-2.31868
44	3	-2.44679
45	3	-2.58004
46	3	-2.71834
47	3	-2.86186
48	3	-3.01129
49	3	-3.16669
50	3	-3.32862
51	3	-3.49624
52	3	-3.67013
53	3	-3.85168
54	3	-4.04047
55	3	-4.23598
56	3	-4.44008
57	3	-4.65228
58	3	-4.8738
59	3	-5.10449
60	3	-5.34498
61	3	-5.59551
62	3	-5.85566
63	3	-6.13319
64	3	-6.417
65	3	-6.71624
66	3	-7.02654
67	3	-7.34936
68	3	-7.70454
69	3	-8.08905
70	3	-8.47391
71	3	-8.87351
72	3	-9.31225
73	3	-9.78451
74	3	-10.2825
75	3	-10.822
76	3	-11.4057
77	3	-12.0275
78	3	-12.724
79	3	-13.4937
80	3	-14.2963
81	3	-15.245
82	3	-16.4249
83	3	-17.4696
84	3	-18.026
85	3	-18.7762
86	3	-20.8529
87	3	-24.7552
88	3	-29.9873
89	3	-34.3712
90	3	-33.5333
91	3	-28.7908
92	3	-24.6339
93	3	-21.7172

94	3	-19.7
95	3	-18.2508
96	3	-17.1614
97	3	-16.2984
98	3	-15.568
99	3	-14.8996
100	3	-14.2405
101	3	-13.5758
102	3	-12.9108
103	3	-12.2527
104	3	-11.6161
105	3	-11.0088
106	3	-10.4321
107	3	-9.89423
108	3	-9.39027
109	3	-8.9167
110	3	-8.46973
111	3	-8.05693
112	3	-7.65919
113	3	-7.27426
114	3	-6.92021
115	3	-6.58323
116	3	-6.26023
117	3	-5.95529
118	3	-5.66518
119	3	-5.38727
120	3	-5.12289
121	3	-4.8705
122	3	-4.62905
123	3	-4.39972
124	3	-4.18139
125	3	-3.97252
126	3	-3.77406
127	3	-3.58606
128	3	-3.40737
129	3	-3.23802
130	3	-3.0776
131	3	-2.92352
132	3	-2.77323
133	3	-2.62523
134	3	-2.47666
135	3	-2.32354
136	3	-2.1645
137	3	-2.00181
138	3	-1.83857
139	3	-1.68
140	3	-1.5338
141	3	-1.41021
142	3	-1.31774
143	3	-1.24929
144	3	-1.19166
145	3	-1.13263
146	3	-1.06187
147	3	-0.975969
148	3	-0.879316
149	3	-0.781694
150	3	-0.692271
151	3	-0.613987
152	3	-0.543465
153	3	-0.475716
154	3	-0.408734
155	3	-0.342732
156	3	-0.278148
157	3	-0.21713
158	3	-0.163977
159	3	-0.116703
160	3	-0.0587967
161	3	0.0210547
162	3	0.0943887
163	3	0.110101
164	3	0.0727479
165	3	0.0668628
166	3	0.148165
167	3	0.253786
168	3	0.298415
169	3	0.297243
170	3	0.311072
171	3	0.340631
172	3	0.36029
173	3	0.376178
174	3	0.395409
175	3	0.410721
176	3	0.422752
177	3	0.434232
178	3	0.443583
179	3	0.450581
180	3	0.455322
-180	4	2.30012
-179	4	2.23185
-178	4	2.29752
-177	4	2.31061
-176	4	2.28162
-175	4	2.2823
-174	4	2.27351
-173	4	2.26801
-172	4	2.25866
-171	4	2.24897

-170	4	2.23679
-169	4	2.22331
-168	4	2.20798
-167	4	2.19104
-166	4	2.17227
-165	4	2.15175
-164	4	2.12882
-163	4	2.10419
-162	4	2.07676
-161	4	2.04753
-160	4	2.01562
-159	4	1.9814
-158	4	1.94461
-157	4	1.90497
-156	4	1.86285
-155	4	1.81786
-154	4	1.77028
-153	4	1.71979
-152	4	1.66644
-151	4	1.60995
-150	4	1.55056
-149	4	1.48848
-148	4	1.4239
-147	4	1.35692
-146	4	1.28729
-145	4	1.21526
-144	4	1.14096
-143	4	1.06446
-142	4	0.985658
-141	4	0.904585
-140	4	0.820676
-139	4	0.735203
-138	4	0.646089
-137	4	0.553303
-136	4	0.456583
-135	4	0.355865
-134	4	0.250836
-133	4	0.1401
-132	4	0.0230913
-131	4	-0.10009
-130	4	-0.229291
-129	4	-0.365159
-128	4	-0.508468
-127	4	-0.658753
-126	4	-0.815318
-125	4	-0.978351
-124	4	-1.15042
-123	4	-1.32477
-122	4	-1.50692
-121	4	-1.69477
-120	4	-1.88773
-119	4	-2.08507
-118	4	-2.28799
-117	4	-2.49902
-116	4	-2.71931
-115	4	-2.94866
-114	4	-3.18834
-113	4	-3.43721
-112	4	-3.69527
-111	4	-3.96223
-110	4	-4.24019
-109	4	-4.53254
-108	4	-4.84443
-107	4	-5.18038
-106	4	-5.54519
-105	4	-5.94579
-104	4	-6.37093
-103	4	-6.83522
-102	4	-7.33637
-101	4	-7.86024
-100	4	-8.42026
-99	4	-9.01321
-98	4	-9.64687
-97	4	-10.3206
-96	4	-11.0547
-95	4	-11.8523
-94	4	-12.7323
-93	4	-13.7134
-92	4	-14.8201
-91	4	-16.0879
-90	4	-17.5668
-89	4	-19.3366
-88	4	-21.4846
-87	4	-24.215
-86	4	-27.4181
-85	4	-29.4002
-84	4	-27.4071
-83	4	-24.1963
-82	4	-21.47
-81	4	-19.2991
-80	4	-17.5229
-79	4	-16.0403
-78	4	-14.7635
-77	4	-13.6732
-76	4	-12.6926
-75	4	-11.7996
-74	4	-11.0125

-73	4	-10.289
-72	4	-9.62889
-71	4	-9.01694
-70	4	-8.45227
-69	4	-7.92465
-68	4	-7.43204
-67	4	-6.9702
-66	4	-6.53653
-65	4	-6.1273
-64	4	-5.74095
-63	4	-5.37548
-62	4	-5.02904
-61	4	-4.70001
-60	4	-4.38672
-59	4	-4.08937
-58	4	-3.80552
-57	4	-3.53493
-56	4	-3.27668
-55	4	-3.02951
-54	4	-2.79705
-53	4	-2.56808
-52	4	-2.3518
-51	4	-2.14561
-50	4	-1.94477
-49	4	-1.75111
-48	4	-1.5733
-47	4	-1.39901
-46	4	-1.22995
-45	4	-1.06921
-44	4	-0.914713
-43	4	-0.765751
-42	4	-0.623519
-41	4	-0.486819
-40	4	-0.355502
-39	4	-0.230066
-38	4	-0.109482
-37	4	0.00638559
-36	4	0.117335
-35	4	0.223761
-34	4	0.325815
-33	4	0.423421
-32	4	0.516959
-31	4	0.606763
-30	4	0.692727
-29	4	0.774929
-28	4	0.853501
-27	4	0.92829
-26	4	0.999508
-25	4	1.06733
-24	4	1.1319
-23	4	1.19331
-22	4	1.25173
-21	4	1.30736
-20	4	1.36042
-19	4	1.41104
-18	4	1.45923
-17	4	1.50481
-16	4	1.5475
-15	4	1.58694
-14	4	1.62259
-13	4	1.6542
-12	4	1.6819
-11	4	1.70619
-10	4	1.72804
-9	4	1.74873
-8	4	1.76941
-7	4	1.79091
-6	4	1.81348
-5	4	1.83653
-4	4	1.8589
-3	4	1.87921
-2	4	1.89619
-1	4	1.90918
0	4	1.91813
1	4	1.92316
2	4	1.92549
3	4	1.92588
4	4	1.92472
5	4	1.92212
6	4	1.91797
7	4	1.91189
8	4	1.90386
9	4	1.89365
10	4	1.88135
11	4	1.86696
12	4	1.85052
13	4	1.83212
14	4	1.81174
15	4	1.78931
16	4	1.7648
17	4	1.73801
18	4	1.70887
19	4	1.67736
20	4	1.64356
21	4	1.60753
22	4	1.56922
23	4	1.52856

24	4	1.48538
25	4	1.43951
26	4	1.39096
27	4	1.33971
28	4	1.28587
29	4	1.22906
30	4	1.16913
31	4	1.10596
32	4	1.03929
33	4	0.969445
34	4	0.895957
35	4	0.818966
36	4	0.738234
37	4	0.653155
38	4	0.563999
39	4	0.470511
40	4	0.372428
41	4	0.271093
42	4	0.1642
43	4	0.0527065
44	4	-0.0638948
45	4	-0.185143
46	4	-0.310967
47	4	-0.44249
48	4	-0.579061
49	4	-0.721084
50	4	-0.868919
51	4	-1.02193
52	4	-1.18214
53	4	-1.34839
54	4	-1.52124
55	4	-1.70324
56	4	-1.89291
57	4	-2.08879
58	4	-2.29385
59	4	-2.50968
60	4	-2.73565
61	4	-2.97147
62	4	-3.21755
63	4	-3.47734
64	4	-3.74803
65	4	-4.0351
66	4	-4.32255
67	4	-4.66884
68	4	-4.90421
69	4	-4.90086
70	4	-5.59182
71	4	-6.49483
72	4	-6.89684
73	4	-7.15424
74	4	-7.4047
75	4	-7.87016
76	4	-8.466
77	4	-9.06851
78	4	-9.69814
79	4	-10.3917
80	4	-11.1706
81	4	-12.011
82	4	-12.9354
83	4	-13.9757
84	4	-15.1678
85	4	-16.5204
86	4	-18.119
87	4	-20.0614
88	4	-22.523
89	4	-25.8579
90	4	-30.6012
91	4	-33.9814
92	4	-29.2027
93	4	-24.8701
94	4	-21.7828
95	4	-19.4584
96	4	-17.6023
97	4	-16.0579
98	4	-14.7367
99	4	-13.5867
100	4	-12.5666
101	4	-11.6559
102	4	-10.8307
103	4	-10.0937
104	4	-9.40991
105	4	-8.77072
106	4	-8.19518
107	4	-7.65745
108	4	-7.16072
109	4	-6.69612
110	4	-6.26338
111	4	-5.85543
112	4	-5.47228
113	4	-5.11099
114	4	-4.76935
115	4	-4.44491
116	4	-4.13745
117	4	-3.8452
118	4	-3.56629
119	4	-3.29974
120	4	-3.04491

121	4	-2.80194
122	4	-2.56849
123	4	-2.34493
124	4	-2.13119
125	4	-1.92632
126	4	-1.73334
127	4	-1.54217
128	4	-1.36173
129	4	-1.18984
130	4	-1.02207
131	4	-0.85986
132	4	-0.711286
133	4	-0.565573
134	4	-0.424298
135	4	-0.289939
136	4	-0.160278
137	4	-0.0348244
138	4	0.0851065
139	4	0.200462
140	4	0.311409
141	4	0.417683
142	4	0.520338
143	4	0.619502
144	4	0.714818
145	4	0.806517
146	4	0.894644
147	4	0.979101
148	4	1.06025
149	4	1.13846
150	4	1.21381
151	4	1.28618
152	4	1.3548
153	4	1.41935
154	4	1.48184
155	4	1.54325
156	4	1.60048
157	4	1.65181
158	4	1.70381
159	4	1.7592
160	4	1.80052
161	4	1.81577
162	4	1.84144
163	4	1.91968
164	4	2.00686
165	4	2.02773
166	4	2.00869
167	4	2.02768
168	4	2.07923
169	4	2.11433
170	4	2.13455
171	4	2.15913
172	4	2.18087
173	4	2.19772
174	4	2.21518
175	4	2.22932
176	4	2.24128
177	4	2.25429
178	4	2.25579
179	4	2.3024
180	4	2.30012
-180	5	3.35651
-179	5	3.36187
-178	5	3.36661
-177	5	3.37042
-176	5	3.37214
-175	5	3.3741
-174	5	3.3737
-173	5	3.36799
-172	5	3.39745
-171	5	3.37296
-170	5	3.37349
-169	5	3.38644
-168	5	3.36188
-167	5	3.35196
-166	5	3.3429
-165	5	3.33144
-164	5	3.31866
-163	5	3.30391
-162	5	3.28668
-161	5	3.26731
-160	5	3.2452
-159	5	3.22063
-158	5	3.19377
-157	5	3.16396
-156	5	3.13112
-155	5	3.09602
-154	5	3.05851
-153	5	3.01883
-152	5	2.97696
-151	5	2.93321
-150	5	2.88743
-149	5	2.83984
-148	5	2.79041
-147	5	2.73891
-146	5	2.68497
-145	5	2.62818
-144	5	2.56842

-143	5	2.50528
-142	5	2.43802
-141	5	2.36585
-140	5	2.28853
-139	5	2.20644
-138	5	2.11865
-137	5	2.02462
-136	5	1.9253
-135	5	1.82163
-134	5	1.71313
-133	5	1.59966
-132	5	1.48318
-131	5	1.36463
-130	5	1.24333
-129	5	1.11933
-128	5	0.993259
-127	5	0.86363
-126	5	0.731969
-125	5	0.596532
-124	5	0.454965
-123	5	0.305111
-122	5	0.145614
-121	5	-0.024629
-120	5	-0.203346
-119	5	-0.386265
-118	5	-0.573746
-117	5	-0.769477
-116	5	-0.978378
-115	5	-1.20623
-114	5	-1.45357
-113	5	-1.7179
-112	5	-1.9961
-111	5	-2.28366
-110	5	-2.57961
-109	5	-2.88799
-108	5	-3.21329
-107	5	-3.55966
-106	5	-3.93173
-105	5	-4.32956
-104	5	-4.75679
-103	5	-5.21524
-102	5	-5.70226
-101	5	-6.2271
-100	5	-6.7853
-99	5	-7.3903
-98	5	-8.03681
-97	5	-8.73771
-96	5	-9.49761
-95	5	-10.3292
-94	5	-11.249
-93	5	-12.2759
-92	5	-13.445
-91	5	-14.7924
-90	5	-16.3843
-89	5	-18.3321
-88	5	-20.7602
-87	5	-23.8355
-86	5	-27.0886
-85	5	-27.3347
-84	5	-24.1632
-83	5	-21.0122
-82	5	-18.5614
-81	5	-16.5377
-80	5	-14.9148
-79	5	-13.5358
-78	5	-12.3552
-77	5	-11.3175
-76	5	-10.3936
-75	5	-9.56457
-74	5	-8.81007
-73	5	-8.12165
-72	5	-7.48842
-71	5	-6.90227
-70	5	-6.35831
-69	5	-5.85072
-68	5	-5.37568
-67	5	-4.93014
-66	5	-4.51172
-65	5	-4.11709
-64	5	-3.74517
-63	5	-3.39278
-62	5	-3.05905
-61	5	-2.74258
-60	5	-2.44235
-59	5	-2.15675
-58	5	-1.88522
-57	5	-1.62676
-56	5	-1.3811
-55	5	-1.1416
-54	5	-0.921961
-53	5	-0.709761
-52	5	-0.505729
-51	5	-0.312119
-50	5	-0.126355
-49	5	0.0501805
-48	5	0.219214
-47	5	0.380068

-46	5	0.5339
-45	5	0.680665
-44	5	0.821035
-43	5	0.955107
-42	5	1.08289
-41	5	1.20516
-40	5	1.32177
-39	5	1.4333
-38	5	1.53959
-37	5	1.641
-36	5	1.73784
-35	5	1.83017
-34	5	1.91829
-33	5	2.0022
-32	5	2.08205
-31	5	2.1581
-30	5	2.23054
-29	5	2.29943
-28	5	2.36486
-27	5	2.42703
-26	5	2.48609
-25	5	2.54194
-24	5	2.59498
-23	5	2.64527
-22	5	2.69272
-21	5	2.73727
-20	5	2.77937
-19	5	2.81905
-18	5	2.85623
-17	5	2.89098
-16	5	2.92343
-15	5	2.95379
-14	5	2.98215
-13	5	3.00867
-12	5	3.0333
-11	5	3.05593
-10	5	3.0765
-9	5	3.09498
-8	5	3.11158
-7	5	3.12673
-6	5	3.14109
-5	5	3.15427
-4	5	3.16554
-3	5	3.17375
-2	5	3.17789
-1	5	3.17813
0	5	3.17619
1	5	3.17416
2	5	3.1749
3	5	3.17904
4	5	3.1852
5	5	3.1907
6	5	3.19311
7	5	3.19132
8	5	3.18593
9	5	3.17803
10	5	3.16877
11	5	3.15862
12	5	3.14754
13	5	3.13532
14	5	3.12169
15	5	3.10651
16	5	3.08966
17	5	3.07108
18	5	3.05076
19	5	3.02877
20	5	3.00496
21	5	2.97902
22	5	2.95079
23	5	2.91997
24	5	2.88686
25	5	2.85155
26	5	2.81366
27	5	2.77313
28	5	2.73005
29	5	2.68454
30	5	2.63646
31	5	2.58554
32	5	2.53182
33	5	2.47503
34	5	2.41542
35	5	2.35258
36	5	2.28646
37	5	2.21647
38	5	2.14273
39	5	2.06496
40	5	1.9829
41	5	1.89629
42	5	1.80487
43	5	1.70815
44	5	1.60693
45	5	1.50014
46	5	1.38817
47	5	1.27004
48	5	1.14794
49	5	1.01915
50	5	0.885052

51	5	0.744918
52	5	0.600462
53	5	0.447752
54	5	0.290682
55	5	0.126321
56	5	-0.0475605
57	5	-0.224802
58	5	-0.420681
59	5	-0.617155
60	5	-0.734168
61	5	-0.956966
62	5	-1.53357
63	5	-1.5543
64	5	-1.77501
65	5	-2.06474
66	5	-2.33667
67	5	-2.64311
68	5	-2.95626
69	5	-3.28746
70	5	-3.63835
71	5	-4.00855
72	5	-4.40272
73	5	-4.82282
74	5	-5.27148
75	5	-5.7522
76	5	-6.27212
77	5	-6.83029
78	5	-7.43194
79	5	-8.08776
80	5	-8.79561
81	5	-9.57663
82	5	-10.4284
83	5	-11.3747
84	5	-12.4377
85	5	-13.6482
86	5	-15.0549
87	5	-16.7292
88	5	-18.8095
89	5	-21.5253
90	5	-25.2797
91	5	-30.3282
92	5	-29.8621
93	5	-24.8142
94	5	-21.0982
95	5	-18.4081
96	5	-16.3437
97	5	-14.6687
98	5	-13.291
99	5	-12.0791
100	5	-11.0439
101	5	-10.1232
102	5	-9.30454
103	5	-8.56104
104	5	-7.88132
105	5	-7.25709
106	5	-6.67799
107	5	-6.14225
108	5	-5.64232
109	5	-5.17366
110	5	-4.73499
111	5	-4.32203
112	5	-3.93355
113	5	-3.56865
114	5	-3.22458
115	5	-2.89909
116	5	-2.59184
117	5	-2.29945
118	5	-2.02126
119	5	-1.75714
120	5	-1.50535
121	5	-1.26419
122	5	-1.03382
123	5	-0.812823
124	5	-0.600328
125	5	-0.391278
126	5	-0.198642
127	5	-0.010614
128	5	0.171492
129	5	0.344654
130	5	0.511273
131	5	0.67025
132	5	0.822508
133	5	0.9668
134	5	1.10447
135	5	1.23568
136	5	1.36054
137	5	1.47873
138	5	1.59055
139	5	1.69711
140	5	1.79813
141	5	1.89387
142	5	1.98428
143	5	2.07006
144	5	2.15166
145	5	2.22906
146	5	2.30246
147	5	2.37179

148	5	2.43729
149	5	2.49962
150	5	2.55925
151	5	2.61568
152	5	2.6687
153	5	2.71921
154	5	2.76727
155	5	2.81238
156	5	2.85567
157	5	2.89697
158	5	2.93546
159	5	2.97167
160	5	3.00589
161	5	3.03781
162	5	3.06774
163	5	3.09611
164	5	3.1223
165	5	3.14697
166	5	3.17074
167	5	3.1916
168	5	3.21245
169	5	3.23195
170	5	3.2467
171	5	3.27129
172	5	3.26461
173	5	3.25308
174	5	3.31658
175	5	3.32083
176	5	3.28971
177	5	3.32502
178	5	3.3409
179	5	3.34776
180	5	3.35651
-180	6	3.93707
-179	6	3.94226
-178	6	3.91499
-177	6	3.94518
-176	6	3.94034
-175	6	3.94123
-174	6	3.93949
-173	6	3.93752
-172	6	3.93425
-171	6	3.93012
-170	6	3.92511
-169	6	3.91946
-168	6	3.91157
-167	6	3.89887
-166	6	3.9308
-165	6	3.87575
-164	6	3.91031
-163	6	3.87512
-162	6	3.86351
-161	6	3.85241
-160	6	3.84081
-159	6	3.82921
-158	6	3.81843
-157	6	3.80791
-156	6	3.79694
-155	6	3.78512
-154	6	3.77306
-153	6	3.76063
-152	6	3.7462
-151	6	3.7288
-150	6	3.70893
-149	6	3.68611
-148	6	3.65862
-147	6	3.62565
-146	6	3.58775
-145	6	3.54522
-144	6	3.49675
-143	6	3.44302
-142	6	3.38608
-141	6	3.326
-140	6	3.26221
-139	6	3.1971
-138	6	3.13152
-137	6	3.06428
-136	6	2.99527
-135	6	2.92412
-134	6	2.84893
-133	6	2.76858
-132	6	2.68076
-131	6	2.58315
-130	6	2.47584
-129	6	2.35805
-128	6	2.23015
-127	6	2.09241
-126	6	1.94354
-125	6	1.78903
-124	6	1.63775
-123	6	1.49306
-122	6	1.35206
-121	6	1.20571
-120	6	1.04809
-119	6	0.880849
-118	6	0.706241
-117	6	0.528741

-116	6	0.343216
-115	6	0.143089
-114	6	-0.0770105
-113	6	-0.32069
-112	6	-0.581551
-111	6	-0.865205
-110	6	-1.1668
-109	6	-1.48765
-108	6	-1.82719
-107	6	-2.18545
-106	6	-2.56352
-105	6	-2.96321
-104	6	-3.38922
-103	6	-3.84241
-102	6	-4.32894
-101	6	-4.85059
-100	6	-5.41294
-99	6	-6.01821
-98	6	-6.67369
-97	6	-7.38592
-96	6	-8.16198
-95	6	-9.02046
-94	6	-9.95801
-93	6	-11.0412
-92	6	-12.2576
-91	6	-13.6828
-90	6	-15.3863
-89	6	-17.4875
-88	6	-20.1589
-87	6	-23.5802
-86	6	-26.7983
-85	6	-25.4486
-84	6	-21.8549
-83	6	-18.8237
-82	6	-16.4647
-81	6	-14.5848
-80	6	-13.0343
-79	6	-11.7166
-78	6	-10.5731
-77	6	-9.56423
-76	6	-8.66372
-75	6	-7.84998
-74	6	-7.11062
-73	6	-6.43365
-72	6	-5.8103
-71	6	-5.23486
-70	6	-4.70106
-69	6	-4.20513
-68	6	-3.74257
-67	6	-3.3099
-66	6	-2.905
-65	6	-2.52482
-64	6	-2.16751
-63	6	-1.83154
-62	6	-1.51417
-61	6	-1.2152
-60	6	-0.932846
-59	6	-0.663608
-58	6	-0.410057
-57	6	-0.171957
-56	6	0.0560863
-55	6	0.272338
-54	6	0.47763
-53	6	0.67294
-52	6	0.858228
-51	6	1.03489
-50	6	1.20252
-49	6	1.3623
-48	6	1.51435
-47	6	1.65907
-46	6	1.79681
-45	6	1.92796
-44	6	2.05269
-43	6	2.17108
-42	6	2.28365
-41	6	2.3904
-40	6	2.49154
-39	6	2.58733
-38	6	2.67778
-37	6	2.76336
-36	6	2.84416
-35	6	2.92072
-34	6	2.99304
-33	6	3.06146
-32	6	3.12568
-31	6	3.18636
-30	6	3.2433
-29	6	3.29669
-28	6	3.34677
-27	6	3.39339
-26	6	3.43692
-25	6	3.47757
-24	6	3.51545
-23	6	3.55087
-22	6	3.58396
-21	6	3.61467
-20	6	3.64319

-19	6	3.6694
-18	6	3.69358
-17	6	3.71529
-16	6	3.73517
-15	6	3.75345
-14	6	3.77022
-13	6	3.78568
-12	6	3.79975
-11	6	3.81261
-10	6	3.82437
-9	6	3.83522
-8	6	3.84516
-7	6	3.85413
-6	6	3.86211
-5	6	3.86934
-4	6	3.87603
-3	6	3.88222
-2	6	3.88761
-1	6	3.89182
0	6	3.8951
1	6	3.89765
2	6	3.90029
3	6	3.90183
4	6	3.90003
5	6	3.89391
6	6	3.88539
7	6	3.87874
8	6	3.87724
9	6	3.88039
10	6	3.88451
11	6	3.88585
12	6	3.88298
13	6	3.87702
14	6	3.86948
15	6	3.86147
16	6	3.85302
17	6	3.844
18	6	3.83386
19	6	3.82183
20	6	3.80868
21	6	3.79439
22	6	3.77884
23	6	3.7615
24	6	3.74224
25	6	3.72111
26	6	3.69813
27	6	3.67308
28	6	3.6454
29	6	3.61501
30	6	3.58251
31	6	3.54736
32	6	3.50916
33	6	3.46829
34	6	3.42454
35	6	3.37793
36	6	3.32788
37	6	3.27453
38	6	3.21807
39	6	3.15783
40	6	3.09344
41	6	3.02476
42	6	2.95161
43	6	2.87384
44	6	2.79033
45	6	2.70215
46	6	2.60809
47	6	2.50781
48	6	2.40194
49	6	2.28947
50	6	2.17229
51	6	2.04854
52	6	1.92144
53	6	1.78054
54	6	1.64082
55	6	1.57479
56	6	1.24349
57	6	1.19258
58	6	0.999391
59	6	0.824702
60	6	0.627221
61	6	0.424615
62	6	0.204239
63	6	-0.0257566
64	6	-0.269108
65	6	-0.524505
66	6	-0.793057
67	6	-1.07479
68	6	-1.36657
69	6	-1.67618
70	6	-2.0029
71	6	-2.35029
72	6	-2.72192
73	6	-3.12152
74	6	-3.55074
75	6	-4.01544
76	6	-4.51674
77	6	-5.05669

78	6	-5.63945
79	6	-6.26767
80	6	-6.9473
81	6	-7.68277
82	6	-8.48996
83	6	-9.38283
84	6	-10.3829
85	6	-11.5273
86	6	-12.8375
87	6	-14.4359
88	6	-16.3615
89	6	-18.8357
90	6	-22.187
91	6	-26.8372
92	6	-29.2268
93	6	-24.7418
94	6	-20.7275
95	6	-17.7726
96	6	-15.5703
97	6	-13.8042
98	6	-12.3296
99	6	-11.0718
100	6	-9.97667
101	6	-9.01017
102	6	-8.14524
103	6	-7.36558
104	6	-6.65932
105	6	-6.01532
106	6	-5.42723
107	6	-4.88391
108	6	-4.38008
109	6	-3.91021
110	6	-3.47026
111	6	-3.05711
112	6	-2.66544
113	6	-2.29397
114	6	-1.94079
115	6	-1.60564
116	6	-1.28866
117	6	-0.988207
118	6	-0.703962
119	6	-0.435568
120	6	-0.182465
121	6	0.0568674
122	6	0.280829
123	6	0.489141
124	6	0.686858
125	6	0.8742
126	6	1.05125
127	6	1.21936
128	6	1.37952
129	6	1.53211
130	6	1.67699
131	6	1.81632
132	6	1.9494
133	6	2.07637
134	6	2.19851
135	6	2.31553
136	6	2.42678
137	6	2.53289
138	6	2.63453
139	6	2.73067
140	6	2.82125
141	6	2.90717
142	6	2.98833
143	6	3.06433
144	6	3.13519
145	6	3.20194
146	6	3.26478
147	6	3.32343
148	6	3.37738
149	6	3.4279
150	6	3.47523
151	6	3.51939
152	6	3.56037
153	6	3.59792
154	6	3.63248
155	6	3.66458
156	6	3.69437
157	6	3.72189
158	6	3.74707
159	6	3.76992
160	6	3.79044
161	6	3.80914
162	6	3.82594
163	6	3.84093
164	6	3.85432
165	6	3.86644
166	6	3.87731
167	6	3.88696
168	6	3.89574
169	6	3.90337
170	6	3.9105
171	6	3.9167
172	6	3.92265
173	6	3.92745
174	6	3.93254

175	6	3.93544
176	6	3.94075
177	6	3.94067
178	6	3.95355
179	6	3.91838
180	6	3.93707
-180	7	4.03466
-179	7	4.03878
-178	7	4.03906
-177	7	4.04264
-176	7	4.00951
-175	7	4.0326
-174	7	4.01507
-173	7	4.04385
-172	7	4.04708
-171	7	4.05092
-170	7	4.05745
-169	7	4.06539
-168	7	4.07393
-167	7	4.08165
-166	7	4.08884
-165	7	4.09695
-164	7	4.10673
-163	7	4.11537
-162	7	4.14519
-161	7	4.13238
-160	7	4.15352
-159	7	4.15268
-158	7	4.15727
-157	7	4.16161
-156	7	4.1644
-155	7	4.16467
-154	7	4.16335
-153	7	4.15921
-152	7	4.15155
-151	7	4.14082
-150	7	4.1279
-149	7	4.11218
-148	7	4.09446
-147	7	4.07519
-146	7	4.05517
-145	7	4.03409
-144	7	4.01245
-143	7	3.9892
-142	7	3.9646
-141	7	3.9367
-140	7	3.90332
-139	7	3.86481
-138	7	3.81893
-137	7	3.76388
-136	7	3.70237
-135	7	3.63319
-134	7	3.55797
-133	7	3.47946
-132	7	3.39872
-131	7	3.31996
-130	7	3.24163
-129	7	3.16092
-128	7	3.07881
-127	7	3.00048
-126	7	2.9225
-125	7	2.82812
-124	7	2.70712
-123	7	2.55932
-122	7	2.3971
-121	7	2.22814
-120	7	2.0536
-119	7	1.87203
-118	7	1.68861
-117	7	1.50684
-116	7	1.32766
-115	7	1.14849
-114	7	0.96269
-113	7	0.763051
-112	7	0.543594
-111	7	0.297592
-110	7	0.0205965
-109	7	-0.287934
-108	7	-0.627565
-107	7	-0.996296
-106	7	-1.38942
-105	7	-1.80458
-104	7	-2.24036
-103	7	-2.69723
-102	7	-3.1778
-101	7	-3.68958
-100	7	-4.23694
-99	7	-4.82984
-98	7	-5.47601
-97	7	-6.18676
-96	7	-6.97107
-95	7	-7.84559
-94	7	-8.82291
-93	7	-9.92664
-92	7	-11.2026
-91	7	-12.6735
-90	7	-14.515

-89	7	-16.7166
-88	7	-19.5879
-87	7	-23.3656
-86	7	-26.4846
-85	7	-24.1484
-84	7	-20.2787
-83	7	-17.2642
-82	7	-14.949
-81	7	-13.0976
-80	7	-11.5597
-79	7	-10.2504
-78	7	-9.11084
-77	7	-8.10483
-76	7	-7.20662
-75	7	-6.39927
-74	7	-5.66786
-73	7	-5.00257
-72	7	-4.39483
-71	7	-3.83775
-70	7	-3.3249
-69	7	-2.85105
-68	7	-2.41165
-67	7	-2.00275
-66	7	-1.62173
-65	7	-1.26516
-64	7	-0.930487
-63	7	-0.615172
-62	7	-0.319453
-61	7	-0.0349587
-60	7	0.224277
-59	7	0.474619
-58	7	0.711078
-57	7	0.934462
-56	7	1.14684
-55	7	1.34792
-54	7	1.53854
-53	7	1.71908
-52	7	1.89013
-51	7	2.05214
-50	7	2.20542
-49	7	2.35036
-48	7	2.48717
-47	7	2.61615
-46	7	2.73776
-45	7	2.85214
-44	7	2.95954
-43	7	3.06023
-42	7	3.15451
-41	7	3.24228
-40	7	3.3242
-39	7	3.40014
-38	7	3.47044
-37	7	3.53546
-36	7	3.59601
-35	7	3.652
-34	7	3.70388
-33	7	3.7518
-32	7	3.79647
-31	7	3.83732
-30	7	3.87492
-29	7	3.90931
-28	7	3.94045
-27	7	3.9684
-26	7	3.99301
-25	7	4.01441
-24	7	4.03352
-23	7	4.04986
-22	7	4.06403
-21	7	4.07616
-20	7	4.08577
-19	7	4.09457
-18	7	4.10114
-17	7	4.10589
-16	7	4.10911
-15	7	4.11092
-14	7	4.11221
-13	7	4.11255
-12	7	4.11272
-11	7	4.11297
-10	7	4.1132
-9	7	4.11329
-8	7	4.11336
-7	7	4.11379
-6	7	4.1148
-5	7	4.11642
-4	7	4.11857
-3	7	4.12121
-2	7	4.1242
-1	7	4.1271
0	7	4.12937
1	7	4.13025
2	7	4.13094
3	7	4.13167
4	7	4.1322
5	7	4.13263
6	7	4.13405
7	7	4.13691

8	7	4.13898
9	7	4.13753
10	7	4.13379
11	7	4.1332
12	7	4.13972
13	7	4.15143
14	7	4.16315
15	7	4.17132
16	7	4.17674
17	7	4.17983
18	7	4.18214
19	7	4.1842
20	7	4.18507
21	7	4.18581
22	7	4.18487
23	7	4.18295
24	7	4.17985
25	7	4.17491
26	7	4.16897
27	7	4.16123
28	7	4.15149
29	7	4.1396
30	7	4.12572
31	7	4.10924
32	7	4.0903
33	7	4.0682
34	7	4.04355
35	7	4.01555
36	7	3.98451
37	7	3.95006
38	7	3.91247
39	7	3.87126
40	7	3.82653
41	7	3.77796
42	7	3.72498
43	7	3.66739
44	7	3.60541
45	7	3.53785
46	7	3.46452
47	7	3.38567
48	7	3.30015
49	7	3.20729
50	7	3.11813
51	7	3.04046
52	7	2.85556
53	7	2.79103
54	7	2.6678
55	7	2.53684
56	7	2.40237
57	7	2.25688
58	7	2.10179
59	7	1.93588
60	7	1.7579
61	7	1.56855
62	7	1.36685
63	7	1.15352
64	7	0.930189
65	7	0.695751
66	7	0.451061
67	7	0.194235
68	7	-0.0762958
69	7	-0.364443
70	7	-0.672453
71	7	-1.00563
72	7	-1.36697
73	7	-1.75842
74	7	-2.18211
75	7	-2.63937
76	7	-3.12784
77	7	-3.65042
78	7	-4.20777
79	7	-4.80377
80	7	-5.44456
81	7	-6.14351
82	7	-6.90943
83	7	-7.76408
84	7	-8.73092
85	7	-9.83743
86	7	-11.1194
87	7	-12.6358
88	7	-14.4934
89	7	-16.7972
90	7	-20.0488
91	7	-24.6773
92	7	-29.9736
93	7	-25.6517
94	7	-20.6418
95	7	-17.2894
96	7	-14.8479
97	7	-12.9451
98	7	-11.3927
99	7	-10.0954
100	7	-8.97897
101	7	-8.00023
102	7	-7.12616
103	7	-6.34073
104	7	-5.62299

105	7	-4.96181
106	7	-4.34841
107	7	-3.78293
108	7	-3.25851
109	7	-2.77214
110	7	-2.31978
111	7	-1.90297
112	7	-1.51725
113	7	-1.15918
114	7	-0.823734
115	7	-0.509346
116	7	-0.213942
117	7	0.0656228
118	7	0.330294
119	7	0.589721
120	7	0.828326
121	7	1.06087
122	7	1.27984
123	7	1.48668
124	7	1.68307
125	7	1.86816
126	7	2.0431
127	7	2.20579
128	7	2.35774
129	7	2.4992
130	7	2.63051
131	7	2.75447
132	7	2.87046
133	7	2.97932
134	7	3.08216
135	7	3.1774
136	7	3.26612
137	7	3.34913
138	7	3.42534
139	7	3.49568
140	7	3.56167
141	7	3.62194
142	7	3.67695
143	7	3.72812
144	7	3.77526
145	7	3.81729
146	7	3.85539
147	7	3.8902
148	7	3.92139
149	7	3.94799
150	7	3.9716
151	7	3.99288
152	7	4.01139
153	7	4.02679
154	7	4.03908
155	7	4.04928
156	7	4.05827
157	7	4.06533
158	7	4.07025
159	7	4.07328
160	7	4.07409
161	7	4.07495
162	7	4.07459
163	7	4.07338
164	7	4.0712
165	7	4.06768
166	7	4.0635
167	7	4.05796
168	7	4.05205
169	7	4.0464
170	7	4.04113
171	7	4.03694
172	7	4.03344
173	7	4.03152
174	7	4.03054
175	7	4.02983
176	7	4.02988
177	7	4.02978
178	7	4.03071
179	7	4.03238
180	7	4.03466
-180	8	3.97926
-179	8	3.99482
-178	8	4.00233
-177	8	3.99057
-176	8	3.97556
-175	8	3.97235
-174	8	3.99184
-173	8	3.95534
-172	8	3.98271
-171	8	3.98248
-170	8	4.00047
-169	8	4.01568
-168	8	3.967
-167	8	3.95398
-166	8	3.98968
-165	8	4.0114
-164	8	4.02997
-163	8	4.04679
-162	8	4.03725
-161	8	4.06389
-160	8	4.07113

-159	8	4.08912
-158	8	4.11587
-157	8	4.13017
-156	8	4.14361
-155	8	4.16204
-154	8	4.17974
-153	8	4.19506
-152	8	4.21167
-151	8	4.2285
-150	8	4.24301
-149	8	4.25721
-148	8	4.27137
-147	8	4.28254
-146	8	4.29256
-145	8	4.29964
-144	8	4.3023
-143	8	4.30159
-142	8	4.29528
-141	8	4.28378
-140	8	4.26639
-139	8	4.24514
-138	8	4.2185
-137	8	4.18789
-136	8	4.15519
-135	8	4.11606
-134	8	4.07335
-133	8	4.02457
-132	8	3.96733
-131	8	3.89659
-130	8	3.8187
-129	8	3.74309
-128	8	3.66437
-127	8	3.56716
-126	8	3.45823
-125	8	3.35444
-124	8	3.26435
-123	8	3.17984
-122	8	3.09216
-121	8	2.99616
-120	8	2.88739
-119	8	2.75718
-118	8	2.60488
-117	8	2.42935
-116	8	2.23574
-115	8	2.02985
-114	8	1.81672
-113	8	1.60199
-112	8	1.38492
-111	8	1.16208
-110	8	0.924656
-109	8	0.662186
-108	8	0.365289
-107	8	0.0279081
-106	8	-0.351991
-105	8	-0.771084
-104	8	-1.22199
-103	8	-1.69852
-102	8	-2.19395
-101	8	-2.70919
-100	8	-3.25058
-99	8	-3.82726
-98	8	-4.45679
-97	8	-5.15283
-96	8	-5.93322
-95	8	-6.81676
-94	8	-7.81721
-93	8	-8.95904
-92	8	-10.2736
-91	8	-11.8162
-90	8	-13.6727
-89	8	-15.958
-88	8	-19.003
-87	8	-23.056
-86	8	-26.17
-85	8	-23.0616
-84	8	-19.0074
-83	8	-15.9593
-82	8	-13.634
-81	8	-11.7729
-80	8	-10.2284
-79	8	-8.916
-78	8	-7.77889
-77	8	-6.7821
-76	8	-5.89949
-75	8	-5.11356
-74	8	-4.40896
-73	8	-3.77282
-72	8	-3.19644
-71	8	-2.67034
-70	8	-2.18746
-69	8	-1.7409
-68	8	-1.32671
-67	8	-0.940337
-66	8	-0.578819
-65	8	-0.239692
-64	8	0.0787308
-63	8	0.382825

-62	8	0.660637
-61	8	0.926814
-60	8	1.17741
-59	8	1.41303
-58	8	1.63443
-57	8	1.84266
-56	8	2.03828
-55	8	2.2218
-54	8	2.39341
-53	8	2.55396
-52	8	2.7037
-51	8	2.84341
-50	8	2.97341
-49	8	3.09456
-48	8	3.20704
-47	8	3.31112
-46	8	3.40744
-45	8	3.49633
-44	8	3.57795
-43	8	3.65261
-42	8	3.72066
-41	8	3.78258
-40	8	3.83847
-39	8	3.88862
-38	8	3.93346
-37	8	3.97313
-36	8	4.0079
-35	8	4.03903
-34	8	4.06605
-33	8	4.08983
-32	8	4.11053
-31	8	4.12878
-30	8	4.14433
-29	8	4.15698
-28	8	4.16643
-27	8	4.17238
-26	8	4.17467
-25	8	4.17393
-24	8	4.17003
-23	8	4.16549
-22	8	4.15971
-21	8	4.15335
-20	8	4.14699
-19	8	4.1503
-18	8	4.13097
-17	8	4.15435
-16	8	4.14377
-15	8	4.13091
-14	8	4.11396
-13	8	4.0862
-12	8	4.1039
-11	8	4.16751
-10	8	4.15905
-9	8	4.15131
-8	8	4.14382
-7	8	4.13658
-6	8	4.12995
-5	8	4.1243
-4	8	4.11969
-3	8	4.11596
-2	8	4.11318
-1	8	4.11149
0	8	4.11087
1	8	4.11024
2	8	4.11037
3	8	4.1116
4	8	4.1139
5	8	4.11713
6	8	4.12178
7	8	4.12812
8	8	4.13554
9	8	4.14419
10	8	4.15509
11	8	4.16653
12	8	4.11108
13	8	4.0914
14	8	4.12409
15	8	4.14792
16	8	4.17044
17	8	4.19044
18	8	4.18095
19	8	4.20434
20	8	4.20851
21	8	4.22189
22	8	4.23534
23	8	4.24786
24	8	4.25951
25	8	4.2724
26	8	4.28365
27	8	4.29402
28	8	4.30387
29	8	4.31171
30	8	4.31793
31	8	4.32225
32	8	4.32463
33	8	4.32443
34	8	4.3221

35	8	4.31686
36	8	4.30845
37	8	4.29788
38	8	4.28389
39	8	4.26661
40	8	4.24583
41	8	4.22116
42	8	4.19246
43	8	4.15951
44	8	4.12079
45	8	4.07607
46	8	4.02688
47	8	3.97753
48	8	3.94316
49	8	3.80513
50	8	3.76305
51	8	3.69176
52	8	3.60772
53	8	3.51539
54	8	3.4165
55	8	3.30986
56	8	3.19508
57	8	3.0706
58	8	2.93621
59	8	2.79079
60	8	2.63318
61	8	2.46446
62	8	2.28456
63	8	2.09366
64	8	1.8934
65	8	1.68304
66	8	1.46149
67	8	1.22681
68	8	0.974293
69	8	0.701102
70	8	0.40214
71	8	0.0744779
72	8	-0.28111
73	8	-0.666113
74	8	-1.07668
75	8	-1.51132
76	8	-1.97149
77	8	-2.45712
78	8	-2.97653
79	8	-3.53809
80	8	-4.15155
81	8	-4.83207
82	8	-5.59072
83	8	-6.43976
84	8	-7.40075
85	8	-8.4946
86	8	-9.75581
87	8	-11.2454
88	8	-13.048
89	8	-15.3345
90	8	-18.4421
91	8	-23.039
92	8	-30.1875
93	8	-26.1484
94	8	-20.3752
95	8	-16.7821
96	8	-14.2235
97	8	-12.2505
98	8	-10.6455
99	8	-9.28275
100	8	-8.10369
101	8	-7.07626
102	8	-6.16297
103	8	-5.34774
104	8	-4.6228
105	8	-3.96994
106	8	-3.37351
107	8	-2.82655
108	8	-2.32582
109	8	-1.85638
110	8	-1.4121
111	8	-0.995473
112	8	-0.607404
113	8	-0.241185
114	8	0.107348
115	8	0.430371
116	8	0.725753
117	8	1.00131
118	8	1.25809
119	8	1.50584
120	8	1.73618
121	8	1.95271
122	8	2.14889
123	8	2.31739
124	8	2.47662
125	8	2.63679
126	8	2.79102
127	8	2.93247
128	8	3.05972
129	8	3.17517
130	8	3.27892
131	8	3.37617

132	8	3.46572
133	8	3.54882
134	8	3.62481
135	8	3.69281
136	8	3.75519
137	8	3.81024
138	8	3.86015
139	8	3.90642
140	8	3.94716
141	8	3.98487
142	8	4.01936
143	8	4.04854
144	8	4.07458
145	8	4.09833
146	8	4.11668
147	8	4.13194
148	8	4.14532
149	8	4.15507
150	8	4.16057
151	8	4.16415
152	8	4.16662
153	8	4.16463
154	8	4.15932
155	8	4.15257
156	8	4.14502
157	8	4.13722
158	8	4.12634
159	8	4.11279
160	8	4.09842
161	8	4.0948
162	8	4.06957
163	8	4.0891
164	8	4.07417
165	8	4.05672
166	8	4.03458
167	8	4.00128
168	8	4.01291
169	8	4.07038
170	8	4.05561
171	8	4.04248
172	8	4.03102
173	8	4.02128
174	8	4.01311
175	8	4.00511
176	8	3.99548
177	8	3.98499
178	8	3.97635
179	8	3.97263
180	8	3.97926
-180	9	3.19908
-179	9	3.19178
-178	9	3.187
-177	9	3.18437
-176	9	3.18215
-175	9	3.18095
-174	9	3.18388
-173	9	3.19265
-172	9	3.20619
-171	9	3.22258
-170	9	3.24735
-169	9	3.25815
-168	9	3.3064
-167	9	3.33183
-166	9	3.36806
-165	9	3.4127
-164	9	3.44798
-163	9	3.4788
-162	9	3.51885
-161	9	3.57446
-160	9	3.61626
-159	9	3.66193
-158	9	3.71101
-157	9	3.75343
-156	9	3.83251
-155	9	3.88135
-154	9	3.89975
-153	9	3.94404
-152	9	3.9762
-151	9	4.01516
-150	9	4.05595
-149	9	4.09485
-148	9	4.13177
-147	9	4.16887
-146	9	4.18772
-145	9	4.21968
-144	9	4.24881
-143	9	4.27613
-142	9	4.29925
-141	9	4.32233
-140	9	4.34088
-139	9	4.3586
-138	9	4.37282
-137	9	4.38353
-136	9	4.38955
-135	9	4.38789
-134	9	4.38063
-133	9	4.35943

-132	9	4.32941
-131	9	4.30471
-130	9	4.27476
-129	9	4.22097
-128	9	4.1462
-127	9	4.0729
-126	9	3.99516
-125	9	3.90367
-124	9	3.79827
-123	9	3.68227
-122	9	3.56169
-121	9	3.44022
-120	9	3.32701
-119	9	3.22296
-118	9	3.12619
-117	9	3.0305
-116	9	2.92291
-115	9	2.79199
-114	9	2.63209
-113	9	2.43785
-112	9	2.22812
-111	9	1.95246
-110	9	1.68136
-109	9	1.40238
-108	9	1.1142
-107	9	0.807216
-106	9	0.471333
-105	9	0.0944169
-104	9	-0.328563
-103	9	-0.795213
-102	9	-1.30109
-101	9	-1.83641
-100	9	-2.39725
-99	9	-2.98718
-98	9	-3.61808
-97	9	-4.30984
-96	9	-5.08553
-95	9	-5.97128
-94	9	-6.9897
-93	9	-8.16139
-92	9	-9.5202
-91	9	-11.1214
-90	9	-13.056
-89	9	-15.6396
-88	9	-18.6338
-87	9	-23.0343
-86	9	-26.292
-85	9	-22.2002
-84	9	-17.9142
-83	9	-14.811
-82	9	-12.463
-81	9	-10.5949
-80	9	-9.05465
-79	9	-7.7532
-78	9	-6.63401
-77	9	-5.66154
-76	9	-4.80815
-75	9	-4.0525
-74	9	-3.37895
-73	9	-2.77337
-72	9	-2.2232
-71	9	-1.72013
-70	9	-1.25613
-69	9	-0.82501
-68	9	-0.423982
-67	9	-0.0491362
-66	9	0.30017
-65	9	0.627217
-64	9	0.932061
-63	9	1.22162
-62	9	1.48814
-61	9	1.72315
-60	9	1.95986
-59	9	2.17392
-58	9	2.37242
-57	9	2.55636
-56	9	2.72625
-55	9	2.88326
-54	9	3.02806
-53	9	3.16143
-52	9	3.28406
-51	9	3.39662
-50	9	3.49953
-49	9	3.5934
-48	9	3.67866
-47	9	3.75566
-46	9	3.82494
-45	9	3.88666
-44	9	3.94116
-43	9	3.98845
-42	9	4.02899
-41	9	4.06283
-40	9	4.09034
-39	9	4.1123
-38	9	4.12851
-37	9	4.14016
-36	9	4.14707

-35	9	4.14968
-34	9	4.14814
-33	9	4.16829
-32	9	4.16022
-31	9	4.14911
-30	9	4.13482
-29	9	4.11686
-28	9	4.09559
-27	9	4.10633
-26	9	4.0789
-25	9	4.04894
-24	9	4.01755
-23	9	3.98564
-22	9	3.95397
-21	9	3.92305
-20	9	3.89145
-19	9	3.85904
-18	9	3.824
-17	9	3.78673
-16	9	3.74906
-15	9	3.71119
-14	9	3.67597
-13	9	3.64441
-12	9	3.61358
-11	9	3.58336
-10	9	3.55553
-9	9	3.53011
-8	9	3.50603
-7	9	3.48353
-6	9	3.46392
-5	9	3.44815
-4	9	3.43634
-3	9	3.42804
-2	9	3.4223
-1	9	3.41808
0	9	3.41482
1	9	3.41145
2	9	3.40889
3	9	3.40762
4	9	3.40794
5	9	3.40992
6	9	3.41446
7	9	3.42293
8	9	3.43595
9	9	3.45418
10	9	3.47721
11	9	3.50214
12	9	3.52771
13	9	3.55548
14	9	3.58381
15	9	3.61092
16	9	3.64107
17	9	3.6784
18	9	3.72042
19	9	3.76308
20	9	3.8041
21	9	3.8427
22	9	3.88123
23	9	3.92094
24	9	3.96004
25	9	3.99872
26	9	4.0378
27	9	4.07612
28	9	4.10036
29	9	4.13579
30	9	4.16953
31	9	4.20194
32	9	4.23312
33	9	4.26189
34	9	4.27336
35	9	4.29651
36	9	4.31641
37	9	4.33418
38	9	4.34881
39	9	4.36133
40	9	4.36983
41	9	4.37474
42	9	4.3758
43	9	4.37035
44	9	4.35958
45	9	4.34162
46	9	4.36227
47	9	4.3092
48	9	4.2671
49	9	4.22924
50	9	4.18589
51	9	4.13568
52	9	4.07846
53	9	4.01292
54	9	3.93963
55	9	3.85776
56	9	3.76761
57	9	3.66795
58	9	3.55789
59	9	3.43679
60	9	3.30356
61	9	3.15964

62	9	3.00413
63	9	2.83889
64	9	2.66308
65	9	2.47399
66	9	2.27485
67	9	2.05511
68	9	1.81399
69	9	1.54721
70	9	1.2551
71	9	0.938557
72	9	0.600374
73	9	0.243882
74	9	-0.131831
75	9	-0.526913
76	9	-0.95082
77	9	-1.40985
78	9	-1.91402
79	9	-2.4738
80	9	-3.09202
81	9	-3.77915
82	9	-4.53849
83	9	-5.3835
84	9	-6.33308
85	9	-7.40983
86	9	-8.66249
87	9	-10.1304
88	9	-11.9054
89	9	-14.1481
90	9	-17.1081
91	9	-21.527
92	9	-29.0853
93	9	-27.156
94	9	-20.3475
95	9	-16.3373
96	9	-13.6119
97	9	-11.5127
98	9	-9.85882
99	9	-8.49103
100	9	-7.31051
101	9	-6.30428
102	9	-5.40918
103	9	-4.56952
104	9	-3.82773
105	9	-3.14879
106	9	-2.55268
107	9	-1.97389
108	9	-1.44682
109	9	-0.979737
110	9	-0.548784
111	9	-0.144145
112	9	0.224733
113	9	0.565645
114	9	0.888176
115	9	1.19005
116	9	1.4701
117	9	1.72701
118	9	1.96684
119	9	2.18747
120	9	2.38785
121	9	2.57059
122	9	2.73838
123	9	2.89508
124	9	3.0383
125	9	3.17141
126	9	3.29304
127	9	3.40732
128	9	3.51188
129	9	3.60935
130	9	3.69635
131	9	3.77631
132	9	3.84643
133	9	3.91066
134	9	3.96624
135	9	4.01565
136	9	4.05783
137	9	4.0924
138	9	4.12233
139	9	4.14355
140	9	4.16145
141	9	4.17271
142	9	4.17759
143	9	4.18119
144	9	4.17631
145	9	4.16834
146	9	4.15937
147	9	4.16718
148	9	4.14742
149	9	4.13183
150	9	4.10589
151	9	4.06025
152	9	4.01359
153	9	4.03641
154	9	4.01962
155	9	3.9847
156	9	3.94271
157	9	3.90065
158	9	3.86225

159	9	3.82388
160	9	3.78213
161	9	3.73903
162	9	3.69549
163	9	3.65339
164	9	3.61344
165	9	3.57313
166	9	3.53345
167	9	3.49516
168	9	3.45636
169	9	3.41855
170	9	3.38467
171	9	3.35457
172	9	3.32614
173	9	3.29883
174	9	3.2738
175	9	3.25258
176	9	3.23594
177	9	3.22369
178	9	3.21458
179	9	3.2067
180	9	3.19908
-180	10	1.86252
-179	10	1.83667
-178	10	1.81329
-177	10	1.79173
-176	10	1.77381
-175	10	1.76607
-174	10	1.77414
-173	10	1.79627
-172	10	1.82757
-171	10	1.86547
-170	10	1.90865
-169	10	1.96045
-168	10	2.00577
-167	10	2.07886
-166	10	2.12962
-165	10	2.19099
-164	10	2.25742
-163	10	2.32215
-162	10	2.39222
-161	10	2.46868
-160	10	2.54163
-159	10	2.61837
-158	10	2.70168
-157	10	2.77855
-156	10	2.85941
-155	10	2.94482
-154	10	3.04953
-153	10	3.13868
-152	10	3.19804
-151	10	3.26038
-150	10	3.38553
-149	10	3.46847
-148	10	3.53933
-147	10	3.63571
-146	10	3.71429
-145	10	3.79716
-144	10	3.87488
-143	10	3.9428
-142	10	4.01277
-141	10	4.07549
-140	10	4.1387
-139	10	4.19425
-138	10	4.24777
-137	10	4.28307
-136	10	4.32121
-135	10	4.35512
-134	10	4.37778
-133	10	4.407
-132	10	4.44653
-131	10	4.46811
-130	10	4.46221
-129	10	4.45547
-128	10	4.44634
-127	10	4.42827
-126	10	4.38103
-125	10	4.32955
-124	10	4.26572
-123	10	4.1919
-122	10	4.10516
-121	10	4.00278
-120	10	3.88139
-119	10	3.74227
-118	10	3.58919
-117	10	3.43479
-116	10	3.29365
-115	10	3.17337
-114	10	3.07101
-113	10	2.97091
-112	10	2.85053
-111	10	2.68661
-110	10	2.46768
-109	10	2.1912
-108	10	1.86801
-107	10	1.51353
-106	10	1.1449

-105	10	0.765255
-104	10	0.37344
-103	10	-0.0471822
-102	10	-0.508833
-101	10	-1.02121
-100	10	-1.58612
-99	10	-2.20042
-98	10	-2.86413
-97	10	-3.58224
-96	10	-4.38035
-95	10	-5.27552
-94	10	-6.3054
-93	10	-7.50212
-92	10	-8.89872
-91	10	-10.5527
-90	10	-12.5391
-89	10	-15.0369
-88	10	-18.4134
-87	10	-23.3988
-86	10	-27.1728
-85	10	-21.6761
-84	10	-17.0482
-83	10	-13.8621
-82	10	-11.4927
-81	10	-9.61796
-80	10	-8.08523
-79	10	-6.79924
-78	10	-5.70165
-77	10	-4.751
-76	10	-3.91903
-75	10	-3.18467
-74	10	-2.5288
-73	10	-1.93736
-72	10	-1.39925
-71	10	-0.90566
-70	10	-0.450422
-69	10	-0.0301162
-68	10	0.358887
-67	10	0.718942
-66	10	1.05158
-65	10	1.35727
-64	10	1.64087
-63	10	1.90181
-62	10	2.14206
-61	10	2.36332
-60	10	2.56672
-59	10	2.75401
-58	10	2.92563
-57	10	3.08267
-56	10	3.22606
-55	10	3.35638
-54	10	3.47459
-53	10	3.58133
-52	10	3.67728
-51	10	3.76263
-50	10	3.83799
-49	10	3.9034
-48	10	3.95941
-47	10	4.00633
-46	10	4.04346
-45	10	4.07314
-44	10	4.09495
-43	10	4.10899
-42	10	4.13801
-41	10	4.1378
-40	10	4.13105
-39	10	4.11811
-38	10	4.09952
-37	10	4.07541
-36	10	4.07498
-35	10	4.0407
-34	10	4.00201
-33	10	3.95904
-32	10	3.91177
-31	10	3.86043
-30	10	3.80538
-29	10	3.74656
-28	10	3.6847
-27	10	3.62081
-26	10	3.55555
-25	10	3.48947
-24	10	3.42274
-23	10	3.35526
-22	10	3.28626
-21	10	3.21602
-20	10	3.14368
-19	10	3.07047
-18	10	2.99607
-17	10	2.92258
-16	10	2.85212
-15	10	2.78427
-14	10	2.72096
-13	10	2.65859
-12	10	2.59517
-11	10	2.53366
-10	10	2.47456
-9	10	2.41769

-8	10	2.36924
-7	10	2.33647
-6	10	2.32043
-5	10	2.3141
-4	10	2.30707
-3	10	2.2943
-2	10	2.27664
-1	10	2.25592
0	10	2.23443
1	10	2.21328
2	10	2.19373
3	10	2.17593
4	10	2.16169
5	10	2.15588
6	10	2.1645
7	10	2.18811
8	10	2.22058
9	10	2.25736
10	10	2.29854
11	10	2.34608
12	10	2.3986
13	10	2.45069
14	10	2.50214
15	10	2.5568
16	10	2.61177
17	10	2.66707
18	10	2.7289
19	10	2.79528
20	10	2.86523
21	10	2.93899
22	10	3.01039
23	10	3.08054
24	10	3.1529
25	10	3.22483
26	10	3.29743
27	10	3.3707
28	10	3.44409
29	10	3.51822
30	10	3.59215
31	10	3.66572
32	10	3.7383
33	10	3.80905
34	10	3.87756
35	10	3.94272
36	10	4.00521
37	10	4.05905
38	10	4.11214
39	10	4.1627
40	10	4.20861
41	10	4.25239
42	10	4.28924
43	10	4.30672
44	10	4.35625
45	10	4.36077
46	10	4.37516
47	10	4.38429
48	10	4.38777
49	10	4.38529
50	10	4.37652
51	10	4.35959
52	10	4.3349
53	10	4.3006
54	10	4.25744
55	10	4.20473
56	10	4.14332
57	10	4.07154
58	10	3.99011
59	10	3.89699
60	10	3.79275
61	10	3.67683
62	10	3.55017
63	10	3.41186
64	10	3.26184
65	10	3.09685
66	10	2.91393
67	10	2.70934
68	10	2.48121
69	10	2.23022
70	10	1.95854
71	10	1.67072
72	10	1.36667
73	10	1.04594
74	10	0.700124
75	10	0.324247
76	10	-0.0936109
77	10	-0.554463
78	10	-1.06512
79	10	-1.62277
80	10	-2.23525
81	10	-2.90758
82	10	-3.65222
83	10	-4.48527
84	10	-5.42373
85	10	-6.49158
86	10	-7.70054
87	10	-9.11911
88	10	-10.7913

89	10	-12.8933
90	10	-15.6865
91	10	-19.7312
92	10	-27.0191
93	10	-26.9683
94	10	-20.2244
95	10	-16.0414
96	10	-13.1539
97	10	-11.0336
98	10	-9.28986
99	10	-7.8451
100	10	-6.60943
101	10	-5.53064
102	10	-4.60146
103	10	-3.77997
104	10	-3.04854
105	10	-2.39643
106	10	-1.79883
107	10	-1.24971
108	10	-0.746276
109	10	-0.280634
110	10	0.147415
111	10	0.536387
112	10	0.89178
113	10	1.21739
114	10	1.5141
115	10	1.78509
116	10	2.0386
117	10	2.27216
118	10	2.48727
119	10	2.68868
120	10	2.87507
121	10	3.04701
122	10	3.20531
123	10	3.34927
124	10	3.48178
125	10	3.59992
126	10	3.70522
127	10	3.79853
128	10	3.87914
129	10	3.95003
130	10	4.00768
131	10	4.05742
132	10	4.09465
133	10	4.12596
134	10	4.14537
135	10	4.16141
136	10	4.1651
137	10	4.16774
138	10	4.17914
139	10	4.17054
140	10	4.14775
141	10	4.0917
142	10	4.0882
143	10	4.06055
144	10	4.04197
145	10	3.99972
146	10	3.94815
147	10	3.89078
148	10	3.83374
149	10	3.76921
150	10	3.70166
151	10	3.63385
152	10	3.56129
153	10	3.48583
154	10	3.41031
155	10	3.33247
156	10	3.25094
157	10	3.16799
158	10	3.08481
159	10	3.00122
160	10	2.91637
161	10	2.83242
162	10	2.74944
163	10	2.66832
164	10	2.58868
165	10	2.50873
166	10	2.43117
167	10	2.3551
168	10	2.28138
169	10	2.2139
170	10	2.15113
171	10	2.09009
172	10	2.0358
173	10	1.99666
174	10	1.97529
175	10	1.96494
176	10	1.95444
177	10	1.9379
178	10	1.91553
179	10	1.8894
180	10	1.86252
-180	11	-0.176023
-179	11	-0.20745
-178	11	-0.220382
-177	11	-0.227232
-176	11	-0.224791

-175	11	-0.214652
-174	11	-0.195505
-173	11	-0.171741
-172	11	-0.136645
-171	11	-0.095217
-170	11	-0.0461381
-169	11	0.0146181
-168	11	0.0979129
-167	11	0.129491
-166	11	0.205943
-165	11	0.334891
-164	11	0.434788
-163	11	0.548259
-162	11	0.671651
-161	11	0.76732
-160	11	0.881679
-159	11	1.00098
-158	11	1.12303
-157	11	1.25144
-156	11	1.37984
-155	11	1.51369
-154	11	1.64652
-153	11	1.78956
-152	11	1.96487
-151	11	2.05896
-150	11	2.19525
-149	11	2.32875
-148	11	2.45928
-147	11	2.60113
-146	11	2.73324
-145	11	2.86985
-144	11	2.98059
-143	11	3.11237
-142	11	3.26199
-141	11	3.41514
-140	11	3.50151
-139	11	3.62387
-138	11	3.7342
-137	11	3.84577
-136	11	3.97204
-135	11	4.03244
-134	11	4.12758
-133	11	4.22714
-132	11	4.28854
-131	11	4.32409
-130	11	4.37003
-129	11	4.41226
-128	11	4.44387
-127	11	4.47095
-126	11	4.4902
-125	11	4.50198
-124	11	4.49911
-123	11	4.48081
-122	11	4.44259
-121	11	4.38858
-120	11	4.31999
-119	11	4.24041
-118	11	4.14262
-117	11	4.02026
-116	11	3.86832
-115	11	3.69176
-114	11	3.50348
-113	11	3.31125
-112	11	3.17319
-111	11	3.0486
-110	11	2.93178
-109	11	2.78732
-108	11	2.57946
-107	11	2.28655
-106	11	1.91131
-105	11	1.47751
-104	11	1.02063
-103	11	0.56681
-102	11	0.12248
-101	11	-0.331523
-100	11	-0.824423
-99	11	-1.38742
-98	11	-2.04128
-97	11	-2.79427
-96	11	-3.64525
-95	11	-4.60319
-94	11	-5.6856
-93	11	-6.92675
-92	11	-8.37098
-91	11	-10.0855
-90	11	-12.1598
-89	11	-14.7881
-88	11	-18.4295
-87	11	-24.2734
-86	11	-28.7458
-85	11	-21.1034
-84	11	-16.2465
-83	11	-13.0272
-82	11	-10.6537
-81	11	-8.79515
-80	11	-7.28311
-79	11	-6.01574

-78	11	-4.93666
-77	11	-4.00151
-76	11	-3.18087
-75	11	-2.45419
-74	11	-1.80387
-73	11	-1.21761
-72	11	-0.685237
-71	11	-0.199373
-70	11	0.244544
-69	11	0.650633
-68	11	1.02195
-67	11	1.3607
-66	11	1.66914
-65	11	1.95175
-64	11	2.2096
-63	11	2.44502
-62	11	2.66051
-61	11	2.85676
-60	11	3.03488
-59	11	3.19602
-58	11	3.34122
-57	11	3.47103
-56	11	3.58647
-55	11	3.68841
-54	11	3.7773
-53	11	3.85349
-52	11	3.91754
-51	11	3.96968
-50	11	4.01051
-49	11	4.0406
-48	11	4.08101
-47	11	4.08986
-46	11	4.08858
-45	11	4.07769
-44	11	4.05774
-43	11	4.02922
-42	11	4.01883
-41	11	3.97412
-40	11	3.92225
-39	11	3.8631
-38	11	3.79896
-37	11	3.7269
-36	11	3.64985
-35	11	3.5669
-34	11	3.47878
-33	11	3.38659
-32	11	3.26937
-31	11	3.1619
-30	11	3.05321
-29	11	2.9434
-28	11	2.83102
-27	11	2.71978
-26	11	2.60912
-25	11	2.4963
-24	11	2.3829
-23	11	2.26519
-22	11	2.14685
-21	11	2.02642
-20	11	1.90554
-19	11	1.78641
-18	11	1.66301
-17	11	1.55857
-16	11	1.45379
-15	11	1.35155
-14	11	1.25529
-13	11	1.16611
-12	11	1.0757
-11	11	0.986029
-10	11	0.901923
-9	11	0.828956
-8	11	0.756106
-7	11	0.681449
-6	11	0.610198
-5	11	0.546956
-4	11	0.497616
-3	11	0.458179
-2	11	0.423482
-1	11	0.392132
0	11	0.357858
1	11	0.329371
2	11	0.317862
3	11	0.312138
4	11	0.316735
5	11	0.328559
6	11	0.348734
7	11	0.375227
8	11	0.413434
9	11	0.457738
10	11	0.509858
11	11	0.570296
12	11	0.635187
13	11	0.70591
14	11	0.787197
15	11	0.876869
16	11	0.971151
17	11	1.07528
18	11	1.18391

19	11	1.27286
20	11	1.37663
21	11	1.4832
22	11	1.6017
23	11	1.72381
24	11	1.84078
25	11	1.96186
26	11	2.08303
27	11	2.20862
28	11	2.33162
29	11	2.4541
30	11	2.57628
31	11	2.69911
32	11	2.82095
33	11	2.95115
34	11	3.07211
35	11	3.18997
36	11	3.30316
37	11	3.41338
38	11	3.51846
39	11	3.62057
40	11	3.71629
41	11	3.8075
42	11	4.11287
43	11	3.89855
44	11	4.04787
45	11	4.11957
46	11	4.1812
47	11	4.23519
48	11	4.28174
49	11	4.31687
50	11	4.34727
51	11	4.36998
52	11	4.38288
53	11	4.38589
54	11	4.37835
55	11	4.36241
56	11	4.337
57	11	4.30246
58	11	4.25577
59	11	4.19657
60	11	4.12309
61	11	4.03674
62	11	3.9369
63	11	3.82556
64	11	3.70092
65	11	3.55997
66	11	3.39842
67	11	3.21569
68	11	3.01236
69	11	2.79104
70	11	2.55378
71	11	2.29922
72	11	2.02346
73	11	1.71755
74	11	1.37808
75	11	1.00083
76	11	0.588838
77	11	0.137595
78	11	-0.350507
79	11	-0.890429
80	11	-1.4817
81	11	-2.14449
82	11	-2.87133
83	11	-3.68946
84	11	-4.56912
85	11	-5.5598
86	11	-6.75432
87	11	-8.11015
88	11	-9.75694
89	11	-11.8197
90	11	-14.5096
91	11	-18.3942
92	11	-25.0364
93	11	-28.8018
94	11	-20.3333
95	11	-15.6279
96	11	-12.575
97	11	-10.3347
98	11	-8.58882
99	11	-7.16987
100	11	-5.96385
101	11	-4.91636
102	11	-3.98487
103	11	-3.15739
104	11	-2.42047
105	11	-1.75812
106	11	-1.16283
107	11	-0.623378
108	11	-0.135264
109	11	0.308205
110	11	0.71841
111	11	1.09693
112	11	1.44357
113	11	1.75955
114	11	2.04334
115	11	2.30061

116	11	2.53827
117	11	2.75933
118	11	2.96301
119	11	3.1494
120	11	3.31843
121	11	3.4668
122	11	3.59525
123	11	3.70801
124	11	3.80434
125	11	3.88606
126	11	3.9573
127	11	4.01503
128	11	4.06316
129	11	4.10063
130	11	4.12374
131	11	4.14213
132	11	4.16433
133	11	4.16463
134	11	4.11514
135	11	4.12141
136	11	4.08328
137	11	4.03987
138	11	4.01277
139	11	3.95284
140	11	3.88412
141	11	3.80893
142	11	3.72717
143	11	3.63795
144	11	3.54486
145	11	3.44366
146	11	3.33976
147	11	3.22977
148	11	3.09511
149	11	2.9714
150	11	2.84534
151	11	2.72061
152	11	2.59365
153	11	2.46675
154	11	2.34113
155	11	2.21344
156	11	2.08452
157	11	1.9527
158	11	1.82305
159	11	1.69135
160	11	1.55749
161	11	1.42276
162	11	1.27919
163	11	1.15705
164	11	1.03563
165	11	0.918905
166	11	0.811046
167	11	0.712407
168	11	0.612683
169	11	0.512907
170	11	0.418343
171	11	0.336788
172	11	0.257336
173	11	0.178543
174	11	0.103979
175	11	0.0358959
176	11	-0.0196136
177	11	-0.0649109
178	11	-0.104116
179	11	-0.138558
180	11	-0.176023
-180	12	-3.20537
-179	12	-3.28455
-178	12	-3.28636
-177	12	-3.27753
-176	12	-3.26961
-175	12	-3.25394
-174	12	-3.22177
-173	12	-3.17432
-172	12	-3.11327
-171	12	-3.04408
-170	12	-2.96077
-169	12	-2.86147
-168	12	-2.74893
-167	12	-2.6352
-166	12	-2.4945
-165	12	-2.40137
-164	12	-2.20639
-163	12	-2.04344
-162	12	-1.86945
-161	12	-1.68797
-160	12	-1.49097
-159	12	-1.29054
-158	12	-1.09104
-157	12	-0.889738
-156	12	-0.686623
-155	12	-0.483023
-154	12	-0.272214
-153	12	-0.0609067
-152	12	0.150138
-151	12	0.309237
-150	12	0.61236
-149	12	0.751551

-148	12	0.958988
-147	12	1.16252
-146	12	1.36566
-145	12	1.564
-144	12	1.76456
-143	12	1.96865
-142	12	2.14922
-141	12	2.3383
-140	12	2.51778
-139	12	2.68273
-138	12	2.83775
-137	12	3.02266
-136	12	3.18279
-135	12	3.33848
-134	12	3.54978
-133	12	3.64859
-132	12	3.7625
-131	12	3.88719
-130	12	4.00027
-129	12	4.10023
-128	12	4.19558
-127	12	4.27792
-126	12	4.3489
-125	12	4.40386
-124	12	4.448
-123	12	4.48143
-122	12	4.50278
-121	12	4.51107
-120	12	4.50098
-119	12	4.47442
-118	12	4.42953
-117	12	4.36728
-116	12	4.2876
-115	12	4.18667
-114	12	4.0592
-113	12	3.89609
-112	12	3.70201
-111	12	3.48834
-110	12	3.28086
-109	12	3.09798
-108	12	2.93693
-107	12	2.76736
-106	12	2.54073
-105	12	2.21849
-104	12	1.7884
-103	12	1.27914
-102	12	0.741692
-101	12	0.227831
-100	12	-0.249471
-99	12	-0.72348
-98	12	-1.25756
-97	12	-1.9189
-96	12	-2.74546
-95	12	-3.751
-94	12	-4.92961
-93	12	-6.28012
-92	12	-7.82691
-91	12	-9.6361
-90	12	-11.8229
-89	12	-14.6289
-88	12	-18.6228
-87	12	-25.7285
-86	12	-29.5413
-85	12	-20.1902
-84	12	-15.3705
-83	12	-12.2096
-82	12	-9.8784
-81	12	-8.05421
-80	12	-6.57187
-79	12	-5.33438
-78	12	-4.27448
-77	12	-3.34997
-76	12	-2.53585
-75	12	-1.81163
-74	12	-1.16414
-73	12	-0.583321
-72	12	-0.0598602
-71	12	0.412939
-70	12	0.839759
-69	12	1.22553
-68	12	1.57377
-67	12	1.88935
-66	12	2.17375
-65	12	2.43205
-64	12	2.66617
-63	12	2.87787
-62	12	3.06812
-61	12	3.23798
-60	12	3.38867
-59	12	3.52083
-58	12	3.63535
-57	12	3.73342
-56	12	3.81597
-55	12	3.88312
-54	12	3.93556
-53	12	3.99541
-52	12	4.02114

-51	12	4.03367
-50	12	4.03321
-49	12	4.02025
-48	12	3.9953
-47	12	3.98364
-46	12	3.93553
-45	12	3.8753
-44	12	3.80281
-43	12	3.72029
-42	12	3.6307
-41	12	3.4989
-40	12	3.38768
-39	12	3.27275
-38	12	3.15029
-37	12	3.02079
-36	12	2.88713
-35	12	2.74649
-34	12	2.59712
-33	12	2.44047
-32	12	2.28289
-31	12	2.11751
-30	12	1.94611
-29	12	1.77218
-28	12	1.57951
-27	12	1.39832
-26	12	1.21617
-25	12	1.02994
-24	12	0.843388
-23	12	0.655912
-22	12	0.470015
-21	12	0.286017
-20	12	0.104825
-19	12	-0.0721777
-18	12	-0.254109
-17	12	-0.432692
-16	12	-0.612188
-15	12	-0.794158
-14	12	-0.980622
-13	12	-1.12712
-12	12	-1.27888
-11	12	-1.42523
-10	12	-1.56625
-9	12	-1.7022
-8	12	-1.83235
-7	12	-1.95059
-6	12	-2.05726
-5	12	-2.14335
-4	12	-2.21783
-3	12	-2.29411
-2	12	-2.3645
-1	12	-2.41995
0	12	-2.52575
1	12	-2.60159
2	12	-2.62238
3	12	-2.62702
4	12	-2.61736
5	12	-2.59707
6	12	-2.56244
7	12	-2.51422
8	12	-2.45255
9	12	-2.37518
10	12	-2.27599
11	12	-2.16505
12	12	-2.04959
13	12	-1.92635
14	12	-1.80591
15	12	-1.68281
16	12	-1.54745
17	12	-1.39016
18	12	-1.22206
19	12	-1.04762
20	12	-0.853334
21	12	-0.66833
22	12	-0.493096
23	12	-0.294793
24	12	-0.100226
25	12	0.0939097
26	12	0.293028
27	12	0.49344
28	12	0.68984
29	12	0.865578
30	12	1.0618
31	12	1.25713
32	12	1.45227
33	12	1.6457
34	12	1.83612
35	12	2.02204
36	12	2.20778
37	12	2.38848
38	12	2.5591
39	12	2.72156
40	12	2.8772
41	12	2.98126
42	12	3.16297
43	12	3.32179
44	12	3.45614
45	12	3.58328

46	12	3.70166
47	12	3.81274
48	12	3.9209
49	12	4.01416
50	12	4.09771
51	12	4.16921
52	12	4.22836
53	12	4.27548
54	12	4.31184
55	12	4.33918
56	12	4.35546
57	12	4.3582
58	12	4.35206
59	12	4.34251
60	12	4.32272
61	12	4.27824
62	12	4.20195
63	12	4.10962
64	12	4.00936
65	12	3.89438
66	12	3.75995
67	12	3.6053
68	12	3.43547
69	12	3.24712
70	12	3.042
71	12	2.80877
72	12	2.5468
73	12	2.2536
74	12	1.92566
75	12	1.57435
76	12	1.17542
77	12	0.782564
78	12	0.283698
79	12	-0.249533
80	12	-0.819781
81	12	-1.448
82	12	-2.1356
83	12	-2.90308
84	12	-3.77745
85	12	-4.77519
86	12	-5.93178
87	12	-7.26955
88	12	-8.86652
89	12	-10.8388
90	12	-13.4572
91	12	-17.2548
92	12	-23.9225
93	12	-29.2072
94	12	-20.0557
95	12	-15.3221
96	12	-12.2216
97	12	-9.91305
98	12	-8.08151
99	12	-6.57798
100	12	-5.31559
101	12	-4.25862
102	12	-3.37383
103	12	-2.59646
104	12	-1.88527
105	12	-1.2229
106	12	-0.621227
107	12	-0.0812915
108	12	0.407473
109	12	0.851102
110	12	1.25585
111	12	1.62297
112	12	1.95415
113	12	2.25418
114	12	2.52133
115	12	2.76081
116	12	2.97609
117	12	3.16906
118	12	3.34202
119	12	3.49588
120	12	3.63106
121	12	3.7499
122	12	3.8526
123	12	3.93644
124	12	4.00307
125	12	4.0562
126	12	4.09248
127	12	4.13272
128	12	4.14724
129	12	4.10674
130	12	4.12458
131	12	4.08513
132	12	4.04387
133	12	4.01278
134	12	3.94345
135	12	3.86521
136	12	3.77125
137	12	3.67082
138	12	3.56162
139	12	3.41151
140	12	3.28147
141	12	3.14839
142	12	3.00776

143	12	2.86092
144	12	2.71006
145	12	2.55315
146	12	2.38625
147	12	2.21508
148	12	2.03783
149	12	1.85693
150	12	1.67115
151	12	1.48105
152	12	1.27239
153	12	1.07493
154	12	0.878159
155	12	0.677546
156	12	0.475122
157	12	0.272016
158	12	0.0721272
159	12	-0.124825
160	12	-0.319396
161	12	-0.509739
162	12	-0.704271
163	12	-0.894801
164	12	-1.08428
165	12	-1.27591
166	12	-1.47489
167	12	-1.63872
168	12	-1.80528
169	12	-1.96425
170	12	-2.11642
171	12	-2.26143
172	12	-2.39879
173	12	-2.52284
174	12	-2.63753
175	12	-2.74366
176	12	-2.84098
177	12	-2.92948
178	12	-3.00767
179	12	-3.07784
180	12	-3.20537
-180	13	-7.02058
-179	13	-7.08315
-178	13	-7.13303
-177	13	-7.16202
-176	13	-7.16988
-175	13	-7.1756
-174	13	-7.17293
-173	13	-7.18131
-172	13	-7.15682
-171	13	-7.07055
-170	13	-6.93762
-169	13	-6.81165
-168	13	-6.6855
-167	13	-6.53492
-166	13	-6.38019
-165	13	-6.14088
-164	13	-6.02213
-163	13	-5.74792
-162	13	-5.50021
-161	13	-5.23989
-160	13	-4.95913
-159	13	-4.67165
-158	13	-4.37018
-157	13	-4.05696
-156	13	-3.74032
-155	13	-3.41943
-154	13	-3.09475
-153	13	-2.76191
-152	13	-2.42635
-151	13	-2.09337
-150	13	-1.76951
-149	13	-1.33597
-148	13	-1.11926
-147	13	-0.801405
-146	13	-0.485676
-145	13	-0.215737
-144	13	0.0878269
-143	13	0.379713
-142	13	0.661757
-141	13	0.937978
-140	13	1.2003
-139	13	1.45418
-138	13	1.70658
-137	13	1.94358
-136	13	2.18409
-135	13	2.44846
-134	13	2.63006
-133	13	2.82349
-132	13	2.98598
-131	13	3.17349
-130	13	3.34703
-129	13	3.52652
-128	13	3.6769
-127	13	3.83821
-126	13	3.93722
-125	13	4.05821
-124	13	4.16089
-123	13	4.24614
-122	13	4.33964

-121	13	4.40199
-120	13	4.44706
-119	13	4.47291
-118	13	4.48038
-117	13	4.47252
-116	13	4.44481
-115	13	4.39695
-114	13	4.32733
-113	13	4.23306
-112	13	4.11567
-111	13	3.96985
-110	13	3.79146
-109	13	3.57884
-108	13	3.33991
-107	13	3.09552
-106	13	2.85818
-105	13	2.61644
-104	13	2.33054
-103	13	1.95334
-102	13	1.46406
-101	13	0.889311
-100	13	0.291442
-99	13	-0.264531
-98	13	-0.768827
-97	13	-1.28304
-96	13	-1.91921
-95	13	-2.77617
-94	13	-3.91016
-93	13	-5.32759
-92	13	-7.01296
-91	13	-8.98718
-90	13	-11.347
-89	13	-14.3671
-88	13	-18.7575
-87	13	-27.3014
-86	13	-27.7379
-85	13	-18.8434
-84	13	-14.3633
-83	13	-11.3461
-82	13	-9.10174
-81	13	-7.33335
-80	13	-5.8923
-79	13	-4.68591
-78	13	-3.6507
-77	13	-2.74522
-76	13	-1.94284
-75	13	-1.22723
-74	13	-0.591417
-73	13	-0.0232862
-72	13	0.483715
-71	13	0.937439
-70	13	1.34351
-69	13	1.70728
-68	13	2.03564
-67	13	2.32507
-66	13	2.58706
-65	13	2.82218
-64	13	3.0318
-63	13	3.2174
-62	13	3.37968
-61	13	3.51958
-60	13	3.63808
-59	13	3.73592
-58	13	3.81414
-57	13	3.87456
-56	13	3.93882
-55	13	3.96593
-54	13	3.97677
-53	13	3.97191
-52	13	3.95152
-51	13	3.91621
-50	13	3.89116
-49	13	3.82773
-48	13	3.71215
-47	13	3.59939
-46	13	3.49375
-45	13	3.37685
-44	13	3.24835
-43	13	3.10812
-42	13	2.95888
-41	13	2.79578
-40	13	2.62337
-39	13	2.43906
-38	13	2.24417
-37	13	2.03847
-36	13	1.82344
-35	13	1.60052
-34	13	1.33921
-33	13	1.09701
-32	13	0.846962
-31	13	0.589408
-30	13	0.325501
-29	13	0.0545746
-28	13	-0.218769
-27	13	-0.49725
-26	13	-0.783119
-25	13	-1.06853

-24	13	-1.36199
-23	13	-1.65386
-22	13	-1.94763
-21	13	-2.24213
-20	13	-2.53996
-19	13	-2.85115
-18	13	-3.20392
-17	13	-3.48991
-16	13	-3.74852
-15	13	-4.0545
-14	13	-4.3134
-13	13	-4.50525
-12	13	-4.69931
-11	13	-4.94825
-10	13	-5.18263
-9	13	-5.38983
-8	13	-5.57362
-7	13	-5.7554
-6	13	-5.92045
-5	13	-6.07159
-4	13	-6.20504
-3	13	-6.32645
-2	13	-6.44009
-1	13	-6.5557
0	13	-6.68662
1	13	-6.71332
2	13	-6.70211
3	13	-6.74074
4	13	-6.75802
5	13	-6.73866
6	13	-6.68954
7	13	-6.61069
8	13	-6.52127
9	13	-6.45934
10	13	-6.41253
11	13	-6.29188
12	13	-6.03189
13	13	-5.76114
14	13	-5.6519
15	13	-5.55408
16	13	-5.25499
17	13	-4.96263
18	13	-4.7411
19	13	-4.46915
20	13	-4.19831
21	13	-3.88102
22	13	-3.59302
23	13	-3.31695
24	13	-3.00146
25	13	-2.68836
26	13	-2.3721
27	13	-2.05717
28	13	-1.7392
29	13	-1.41939
30	13	-1.12394
31	13	-0.845623
32	13	-0.586162
33	13	-0.299314
34	13	0.0303542
35	13	0.324716
36	13	0.632543
37	13	0.913024
38	13	1.17432
39	13	1.63478
40	13	1.63452
41	13	1.91867
42	13	2.14743
43	13	2.371
44	13	2.58227
45	13	2.78135
46	13	2.97065
47	13	3.14918
48	13	3.28607
49	13	3.44937
50	13	3.59817
51	13	3.74188
52	13	3.8577
53	13	3.96148
54	13	4.05564
55	13	4.13884
56	13	4.20981
57	13	4.26576
58	13	4.29794
59	13	4.3132
60	13	4.31416
61	13	4.30625
62	13	4.28708
63	13	4.25122
64	13	4.19696
65	13	4.11879
66	13	4.01673
67	13	3.89007
68	13	3.73749
69	13	3.56773
70	13	3.3787
71	13	3.21216
72	13	2.96552

73	13	2.70377
74	13	2.40683
75	13	2.07058
76	13	1.69929
77	13	1.28233
78	13	0.829653
79	13	0.337741
80	13	-0.201114
81	13	-0.800631
82	13	-1.47759
83	13	-2.23636
84	13	-3.0918
85	13	-4.05654
86	13	-5.18295
87	13	-6.51873
88	13	-8.12638
89	13	-10.1453
90	13	-12.7941
91	13	-16.5316
92	13	-22.8679
93	13	-29.2996
94	13	-20.0966
95	13	-15.0205
96	13	-11.7359
97	13	-9.3799
98	13	-7.58094
99	13	-6.11671
100	13	-4.87346
101	13	-3.79623
102	13	-2.858
103	13	-2.03246
104	13	-1.30061
105	13	-0.643291
106	13	-0.0559706
107	13	0.47
108	13	0.939041
109	13	1.35707
110	13	1.73197
111	13	2.06938
112	13	2.37731
113	13	2.65045
114	13	2.8973
115	13	3.11811
116	13	3.31318
117	13	3.48483
118	13	3.63418
119	13	3.76061
120	13	3.86445
121	13	3.94558
122	13	4.00532
123	13	4.04859
124	13	4.09872
125	13	4.07038
126	13	4.09589
127	13	4.06799
128	13	4.02593
129	13	3.97247
130	13	3.92735
131	13	3.84114
132	13	3.70488
133	13	3.57185
134	13	3.44482
135	13	3.30885
136	13	3.16139
137	13	3.00281
138	13	2.8379
139	13	2.65791
140	13	2.47025
141	13	2.26957
142	13	2.05916
143	13	1.83877
144	13	1.60886
145	13	1.37116
146	13	1.09163
147	13	0.834444
148	13	0.569498
149	13	0.296025
150	13	0.0163487
151	13	-0.271121
152	13	-0.560238
153	13	-0.854083
154	13	-1.15359
155	13	-1.4546
156	13	-1.76077
157	13	-2.0681
158	13	-2.37027
159	13	-2.67369
160	13	-2.97426
161	13	-3.27191
162	13	-3.56866
163	13	-3.85861
164	13	-4.14482
165	13	-4.43162
166	13	-4.71176
167	13	-4.96997
168	13	-5.20803
169	13	-5.43379

170	13	-5.6453
171	13	-5.84346
172	13	-6.02641
173	13	-6.20549
174	13	-6.35835
175	13	-6.50331
176	13	-6.62681
177	13	-6.73753
178	13	-6.85043
179	13	-6.94145
180	13	-7.02058
-180	14	-7.99175
-179	14	-7.95263
-178	14	-7.93166
-177	14	-7.96659
-176	14	-7.9885
-175	14	-8.03592
-174	14	-8.0774
-173	14	-8.14656
-172	14	-8.20296
-171	14	-8.29417
-170	14	-8.37904
-169	14	-8.47043
-168	14	-8.55015
-167	14	-8.65783
-166	14	-8.79188
-165	14	-8.86345
-164	14	-8.77323
-163	14	-8.75024
-162	14	-8.8153
-161	14	-8.76308
-160	14	-8.65315
-159	14	-8.49525
-158	14	-8.28734
-157	14	-8.02574
-156	14	-7.7136
-155	14	-7.35446
-154	14	-6.97631
-153	14	-6.52282
-152	14	-6.06742
-151	14	-5.59674
-150	14	-5.11301
-149	14	-4.62578
-148	14	-4.1828
-147	14	-3.67685
-146	14	-3.18932
-145	14	-2.72561
-144	14	-2.27102
-143	14	-1.83324
-142	14	-1.40494
-141	14	-0.984458
-140	14	-0.621006
-139	14	-0.236009
-138	14	0.136487
-137	14	0.493549
-136	14	0.8827
-135	14	1.19037
-134	14	1.46218
-133	14	1.75975
-132	14	2.04031
-131	14	2.26277
-130	14	2.54241
-129	14	2.77863
-128	14	2.9976
-127	14	3.15933
-126	14	3.36756
-125	14	3.54379
-124	14	3.69892
-123	14	3.84365
-122	14	3.97526
-121	14	4.09295
-120	14	4.18545
-119	14	4.27006
-118	14	4.34109
-117	14	4.38528
-116	14	4.40667
-115	14	4.40804
-114	14	4.38861
-113	14	4.34864
-112	14	4.28121
-111	14	4.18053
-110	14	4.05303
-109	14	3.90569
-108	14	3.73551
-107	14	3.53268
-106	14	3.28357
-105	14	2.9881
-104	14	2.66124
-103	14	2.31557
-102	14	1.93525
-101	14	1.48687
-100	14	0.942159
-99	14	0.313059
-98	14	-0.34577
-97	14	-0.973524
-96	14	-1.56192
-95	14	-2.20487

-94	14	-3.06147
-93	14	-4.26222
-92	14	-5.87467
-91	14	-7.92847
-90	14	-10.4645
-89	14	-13.7084
-88	14	-18.4196
-87	14	-27.9231
-86	14	-25.559
-85	14	-17.5321
-84	14	-13.3365
-83	14	-10.4931
-82	14	-8.34645
-81	14	-6.63536
-80	14	-5.23103
-79	14	-4.05354
-78	14	-3.04349
-77	14	-2.16089
-76	14	-1.37965
-75	14	-0.686417
-74	14	-0.0692283
-73	14	0.477823
-72	14	0.962746
-71	14	1.39328
-70	14	1.77609
-69	14	2.11669
-68	14	2.41905
-67	14	2.68778
-66	14	2.92435
-65	14	3.1327
-64	14	3.31386
-63	14	3.46873
-62	14	3.59813
-61	14	3.70269
-60	14	3.78404
-59	14	3.86406
-58	14	3.90303
-57	14	3.92194
-56	14	3.92176
-55	14	3.90258
-54	14	3.86492
-53	14	3.7937
-52	14	3.69785
-51	14	3.60346
-50	14	3.49386
-49	14	3.36934
-48	14	3.22889
-47	14	3.07361
-46	14	2.90117
-45	14	2.71301
-44	14	2.51049
-43	14	2.29102
-42	14	2.05697
-41	14	1.80749
-40	14	1.54486
-39	14	1.22968
-38	14	0.933012
-37	14	0.622463
-36	14	0.30128
-35	14	-0.0330595
-34	14	-0.388881
-33	14	-0.756245
-32	14	-1.11544
-31	14	-1.47764
-30	14	-1.99734
-29	14	-2.41414
-28	14	-2.71925
-27	14	-3.15112
-26	14	-3.59386
-25	14	-4.04455
-24	14	-4.48927
-23	14	-4.93112
-22	14	-5.36583
-21	14	-5.8053
-20	14	-6.22227
-19	14	-6.62771
-18	14	-7.00851
-17	14	-7.35727
-16	14	-7.68248
-15	14	-7.99098
-14	14	-8.27552
-13	14	-8.51878
-12	14	-8.71597
-11	14	-8.86301
-10	14	-8.98938
-9	14	-9.10116
-8	14	-9.33639
-7	14	-9.43226
-6	14	-9.33393
-5	14	-9.38172
-4	14	-9.42784
-3	14	-9.41297
-2	14	-9.33739
-1	14	-9.25601
0	14	-9.21855
1	14	-9.21194
2	14	-9.1909

3	14	-9.20978
4	14	-9.23322
5	14	-9.29552
6	14	-9.32453
7	14	-9.37375
8	14	-9.40643
9	14	-9.45931
10	14	-9.49133
11	14	-9.52405
12	14	-9.53925
13	14	-9.52678
14	14	-9.48868
15	14	-9.42615
16	14	-9.33
17	14	-9.19582
18	14	-9.02234
19	14	-8.79981
20	14	-8.54466
21	14	-8.22202
22	14	-7.88832
23	14	-7.58604
24	14	-7.16428
25	14	-6.67562
26	14	-6.16672
27	14	-5.73677
28	14	-5.22012
29	14	-4.7722
30	14	-4.29536
31	14	-3.82109
32	14	-3.35098
33	14	-2.88559
34	14	-2.43594
35	14	-1.99696
36	14	-1.56429
37	14	-1.16457
38	14	-0.59628
39	14	-0.347181
40	14	-0.0347382
41	14	0.329582
42	14	0.677445
43	14	1.01063
44	14	1.32575
45	14	1.62733
46	14	1.91628
47	14	2.18837
48	14	2.44638
49	14	2.68526
50	14	2.90527
51	14	3.10762
52	14	3.29263
53	14	3.42821
54	14	3.60915
55	14	3.75723
56	14	3.88447
57	14	3.98925
58	14	4.07265
59	14	4.14278
60	14	4.21113
61	14	4.25635
62	14	4.28064
63	14	4.28081
64	14	4.24722
65	14	4.22465
66	14	4.13531
67	14	4.06216
68	14	3.96378
69	14	3.83895
70	14	3.68997
71	14	3.51198
72	14	3.30131
73	14	3.05657
74	14	2.77676
75	14	2.46492
76	14	2.12564
77	14	1.76339
78	14	1.33713
79	14	0.871256
80	14	0.334468
81	14	-0.259255
82	14	-0.913618
83	14	-1.65005
84	14	-2.51382
85	14	-3.50322
86	14	-4.64947
87	14	-5.92699
88	14	-7.39872
89	14	-9.32448
90	14	-11.9168
91	14	-15.6121
92	14	-22.0944
93	14	-34.0014
94	14	-20.1041
95	14	-14.6554
96	14	-11.3119
97	14	-8.90625
98	14	-7.05877
99	14	-5.56357

100	14	-4.31091
101	14	-3.23201
102	14	-2.29206
103	14	-1.4721
104	14	-0.763439
105	14	-0.138092
106	14	0.41369
107	14	0.912554
108	14	1.36502
109	14	1.77428
110	14	2.13877
111	14	2.46276
112	14	2.74947
113	14	3.00379
114	14	3.22559
115	14	3.41608
116	14	3.57697
117	14	3.7101
118	14	3.81872
119	14	3.90397
120	14	3.96644
121	14	4.03019
122	14	4.03142
123	14	4.04335
124	14	4.02583
125	14	3.98709
126	14	3.92777
127	14	3.83578
128	14	3.72158
129	14	3.61043
130	14	3.48311
131	14	3.34075
132	14	3.18478
133	14	3.01539
134	14	2.82802
135	14	2.62465
136	14	2.40738
137	14	2.17219
138	14	1.92181
139	14	1.6565
140	14	1.37617
141	14	1.03942
142	14	0.724741
143	14	0.39686
144	14	0.0553821
145	14	-0.29998
146	14	-0.670111
147	14	-1.05434
148	14	-1.44566
149	14	-1.85317
150	14	-2.27053
151	14	-2.69625
152	14	-3.12604
153	14	-3.56414
154	14	-4.00553
155	14	-4.44261
156	14	-4.87861
157	14	-5.30614
158	14	-5.71213
159	14	-6.1082
160	14	-6.47891
161	14	-6.81897
162	14	-7.1283
163	14	-7.38886
164	14	-7.61169
165	14	-7.80793
166	14	-7.97698
167	14	-8.11544
168	14	-8.21761
169	14	-8.27729
170	14	-8.30013
171	14	-8.30328
172	14	-8.27731
173	14	-8.26151
174	14	-8.21902
175	14	-8.18605
176	14	-8.13456
177	14	-8.08716
178	14	-8.05102
179	14	-8.02794
180	14	-7.99175
-180	15	-4.32206
-179	15	-4.25711
-178	15	-4.22489
-177	15	-4.22797
-176	15	-4.23771
-175	15	-4.26923
-174	15	-4.31667
-173	15	-4.38791
-172	15	-4.4673
-171	15	-4.57299
-170	15	-4.70134
-169	15	-4.85159
-168	15	-5.02087
-167	15	-5.20552
-166	15	-5.40472
-165	15	-5.62578

-164	15	-5.87645
-163	15	-6.14465
-162	15	-6.41877
-161	15	-6.76866
-160	15	-7.11762
-159	15	-7.43708
-158	15	-7.77962
-157	15	-8.12052
-156	15	-8.44031
-155	15	-8.71375
-154	15	-8.92666
-153	15	-9.05359
-152	15	-9.07103
-151	15	-8.9696
-150	15	-8.74036
-149	15	-8.38686
-148	15	-7.92884
-147	15	-7.44236
-146	15	-6.87522
-145	15	-6.19531
-144	15	-5.56381
-143	15	-4.9342
-142	15	-4.30891
-141	15	-3.69988
-140	15	-3.11599
-139	15	-2.5511
-138	15	-2.01368
-137	15	-1.43958
-136	15	-0.953194
-135	15	-0.547001
-134	15	-0.101684
-133	15	0.311445
-132	15	0.708748
-131	15	1.08511
-130	15	1.43979
-129	15	1.77627
-128	15	2.07343
-127	15	2.36427
-126	15	2.6332
-125	15	2.88464
-124	15	3.11455
-123	15	3.29684
-122	15	3.48531
-121	15	3.6518
-120	15	3.79934
-119	15	3.92943
-118	15	4.03869
-117	15	4.13152
-116	15	4.23771
-115	15	4.25594
-114	15	4.28874
-113	15	4.293
-112	15	4.27167
-111	15	4.22858
-110	15	4.15509
-109	15	4.0416
-108	15	3.89449
-107	15	3.72817
-106	15	3.54899
-105	15	3.34319
-104	15	3.07886
-103	15	2.72907
-102	15	2.30295
-101	15	1.83875
-100	15	1.35885
-99	15	0.843405
-98	15	0.247589
-97	15	-0.460392
-96	15	-1.25943
-95	15	-2.07497
-94	15	-2.88157
-93	15	-3.79657
-92	15	-5.03218
-91	15	-6.7863
-90	15	-9.20574
-89	15	-12.5016
-88	15	-17.3712
-87	15	-27.2214
-86	15	-24.6283
-85	15	-16.6191
-84	15	-12.4948
-83	15	-9.73727
-82	15	-7.65872
-81	15	-6.00425
-80	15	-4.63035
-79	15	-3.46875
-78	15	-2.4723
-77	15	-1.60918
-76	15	-0.851321
-75	15	-0.182275
-74	15	0.409414
-73	15	0.929949
-72	15	1.38982
-71	15	1.79421
-70	15	2.15271
-69	15	2.47071
-68	15	2.74457

-67	15	2.98506
-66	15	3.19189
-65	15	3.36798
-64	15	3.51498
-63	15	3.6344
-62	15	3.747
-61	15	3.81333
-60	15	3.85485
-59	15	3.87192
-58	15	3.86593
-57	15	3.83718
-56	15	3.74557
-55	15	3.6684
-54	15	3.57253
-53	15	3.45634
-52	15	3.31898
-51	15	3.16211
-50	15	2.98517
-49	15	2.78765
-48	15	2.56913
-47	15	2.33139
-46	15	2.07178
-45	15	1.79151
-44	15	1.49478
-43	15	1.12774
-42	15	0.793225
-41	15	0.46544
-40	15	0.0854304
-39	15	-0.352334
-38	15	-0.798853
-37	15	-1.36886
-36	15	-1.73698
-35	15	-2.23126
-34	15	-2.74984
-33	15	-3.28773
-32	15	-3.84272
-31	15	-4.4174
-30	15	-5.00886
-29	15	-5.59585
-28	15	-6.18381
-27	15	-6.76647
-26	15	-7.32476
-25	15	-7.84489
-24	15	-8.30728
-23	15	-8.69312
-22	15	-8.97748
-21	15	-9.17069
-20	15	-9.25543
-19	15	-9.23542
-18	15	-9.12675
-17	15	-8.95673
-16	15	-8.73795
-15	15	-8.62734
-14	15	-8.26666
-13	15	-7.98465
-12	15	-7.65718
-11	15	-7.35254
-10	15	-7.0946
-9	15	-6.82467
-8	15	-6.60266
-7	15	-6.41157
-6	15	-6.23709
-5	15	-6.07136
-4	15	-5.92051
-3	15	-5.79375
-2	15	-5.68682
-1	15	-5.62137
0	15	-5.54313
1	15	-5.45226
2	15	-5.42426
3	15	-5.46642
4	15	-5.49258
5	15	-5.51383
6	15	-5.60316
7	15	-5.79055
8	15	-5.92973
9	15	-5.97731
10	15	-6.05692
11	15	-6.23036
12	15	-6.41959
13	15	-6.62125
14	15	-6.83793
15	15	-7.08381
16	15	-7.28171
17	15	-7.51552
18	15	-7.99676
19	15	-8.32513
20	15	-8.64795
21	15	-8.95903
22	15	-9.2365
23	15	-9.47375
24	15	-9.67941
25	15	-9.80457
26	15	-9.78257
27	15	-9.64225
28	15	-9.36891
29	15	-8.97904

30	15	-8.49659
31	15	-7.96284
32	15	-7.27142
33	15	-6.65027
34	15	-6.0545
35	15	-5.36739
36	15	-4.77075
37	15	-4.08481
38	15	-3.45845
39	15	-3.06395
40	15	-2.34732
41	15	-1.81799
42	15	-1.30431
43	15	-0.817352
44	15	-0.38572
45	15	0.0495041
46	15	0.464302
47	15	0.856086
48	15	1.2286
49	15	1.5777
50	15	1.89995
51	15	2.20258
52	15	2.48881
53	15	2.75713
54	15	3.00215
55	15	3.21932
56	15	3.40291
57	15	3.5364
58	15	3.68688
59	15	3.83462
60	15	3.95537
61	15	4.05414
62	15	4.12072
63	15	4.17379
64	15	4.20067
65	15	4.21015
66	15	4.19855
67	15	4.16128
68	15	4.09433
69	15	4.00022
70	15	3.88042
71	15	3.72955
72	15	3.54661
73	15	3.33444
74	15	3.09612
75	15	2.82466
76	15	2.50757
77	15	2.14557
78	15	1.73698
79	15	1.26898
80	15	0.760535
81	15	0.185684
82	15	-0.42708
83	15	-1.14291
84	15	-1.98799
85	15	-2.92732
86	15	-4.00562
87	15	-5.2889
88	15	-6.84795
89	15	-8.78729
90	15	-11.3043
91	15	-14.8949
92	15	-21.1549
93	15	-35.0661
94	15	-19.7345
95	15	-14.1432
96	15	-10.766
97	15	-8.35145
98	15	-6.47731
99	15	-4.9866
100	15	-3.7651
101	15	-2.73582
102	15	-1.83876
103	15	-1.04199
104	15	-0.330868
105	15	0.297508
106	15	0.848323
107	15	1.33274
108	15	1.76568
109	15	2.15015
110	15	2.49698
111	15	2.79698
112	15	3.04897
113	15	3.26709
114	15	3.45472
115	15	3.61317
116	15	3.74136
117	15	3.83855
118	15	3.92856
119	15	3.93924
120	15	3.99158
121	15	3.99042
122	15	3.96567
123	15	3.91916
124	15	3.8121
125	15	3.72007
126	15	3.6095

127	15	3.47895
128	15	3.32782
129	15	3.15685
130	15	2.96518
131	15	2.7516
132	15	2.51767
133	15	2.26428
134	15	1.98842
135	15	1.69019
136	15	1.37222
137	15	0.988252
138	15	0.617061
139	15	0.229885
140	15	-0.176195
141	15	-0.607539
142	15	-1.05933
143	15	-1.53195
144	15	-2.02674
145	15	-2.5383
146	15	-3.06963
147	15	-3.61354
148	15	-4.1709
149	15	-4.7364
150	15	-5.30306
151	15	-5.85383
152	15	-6.38077
153	15	-6.87988
154	15	-7.33184
155	15	-7.71547
156	15	-8.01869
157	15	-8.22709
158	15	-8.32751
159	15	-8.34263
160	15	-8.2681
161	15	-8.11842
162	15	-7.91253
163	15	-7.67073
164	15	-7.40601
165	15	-7.13432
166	15	-6.84395
167	15	-6.56014
168	15	-6.27675
169	15	-6.00075
170	15	-5.7463
171	15	-5.50003
172	15	-5.30078
173	15	-5.12563
174	15	-4.96228
175	15	-4.813
176	15	-4.68335
177	15	-4.57087
178	15	-4.46775
179	15	-4.39396
180	15	-4.32206
-180	16	-1.05552
-179	16	-1.0057
-178	16	-0.981613
-177	16	-0.977001
-176	16	-0.981742
-175	16	-1.00077
-174	16	-1.03232
-173	16	-1.08435
-172	16	-1.14868
-171	16	-1.22411
-170	16	-1.31965
-169	16	-1.4475
-168	16	-1.59089
-167	16	-1.74615
-166	16	-1.92577
-165	16	-2.09931
-164	16	-2.31957
-163	16	-2.57852
-162	16	-2.87175
-161	16	-3.0261
-160	16	-3.25305
-159	16	-3.56946
-158	16	-3.92419
-157	16	-4.29744
-156	16	-4.72582
-155	16	-5.17779
-154	16	-5.662
-153	16	-6.16832
-152	16	-6.70871
-151	16	-7.26313
-150	16	-7.81215
-149	16	-8.33163
-148	16	-8.77864
-147	16	-9.10667
-146	16	-9.24092
-145	16	-9.37059
-144	16	-8.97506
-143	16	-8.51055
-142	16	-7.90299
-141	16	-7.20452
-140	16	-6.45466
-139	16	-5.68756
-138	16	-4.90304

-137	16	-4.06333
-136	16	-3.44394
-135	16	-2.80668
-134	16	-2.16684
-133	16	-1.59776
-132	16	-1.03129
-131	16	-0.501516
-130	16	-0.00442486
-129	16	0.454805
-128	16	0.883069
-127	16	1.28833
-126	16	1.62668
-125	16	2.00117
-124	16	2.31965
-123	16	2.61451
-122	16	2.88488
-121	16	3.14843
-120	16	3.31363
-119	16	3.50282
-118	16	3.66464
-117	16	3.8034
-116	16	3.9212
-115	16	4.02525
-114	16	4.08899
-113	16	4.12443
-112	16	4.13833
-111	16	4.16502
-110	16	4.1014
-109	16	4.04389
-108	16	3.94801
-107	16	3.80923
-106	16	3.6377
-105	16	3.44604
-104	16	3.24251
-103	16	3.01096
-102	16	2.70599
-101	16	2.28392
-100	16	1.75216
-99	16	1.17716
-98	16	0.617825
-97	16	0.0485614
-96	16	-0.635995
-95	16	-1.5381
-94	16	-2.65704
-93	16	-3.86744
-92	16	-5.08122
-91	16	-6.46391
-90	16	-8.38083
-89	16	-11.2481
-88	16	-15.7954
-87	16	-25.2327
-86	16	-25.2333
-85	16	-16.2345
-84	16	-11.9218
-83	16	-9.10666
-82	16	-7.04841
-81	16	-5.43325
-80	16	-4.09938
-79	16	-2.95731
-78	16	-1.97008
-77	16	-1.11458
-76	16	-0.371095
-75	16	0.277725
-74	16	0.846169
-73	16	1.34244
-72	16	1.77697
-71	16	2.15578
-70	16	2.48627
-69	16	2.77334
-68	16	3.02038
-67	16	3.22786
-66	16	3.39922
-65	16	3.5369
-64	16	3.66428
-63	16	3.7423
-62	16	3.79238
-61	16	3.81497
-60	16	3.76913
-59	16	3.71206
-58	16	3.6735
-57	16	3.58888
-56	16	3.47871
-55	16	3.34232
-54	16	3.181
-53	16	2.99403
-52	16	2.78231
-51	16	2.54328
-50	16	2.28261
-49	16	1.98993
-48	16	1.71365
-47	16	1.38623
-46	16	0.924295
-45	16	0.518466
-44	16	0.149694
-43	16	-0.467509
-42	16	-0.86197
-41	16	-1.38339

-40	16	-1.93254
-39	16	-2.51782
-38	16	-3.13644
-37	16	-3.78782
-36	16	-4.46728
-35	16	-5.17099
-34	16	-5.88152
-33	16	-6.60077
-32	16	-7.29668
-31	16	-7.94528
-30	16	-8.50685
-29	16	-8.93497
-28	16	-9.19479
-27	16	-9.28077
-26	16	-9.18835
-25	16	-8.94851
-24	16	-8.59057
-23	16	-8.1577
-22	16	-7.61068
-21	16	-7.13303
-20	16	-6.66987
-19	16	-6.17905
-18	16	-5.83209
-17	16	-5.47103
-16	16	-5.03555
-15	16	-4.63323
-14	16	-4.23174
-13	16	-3.89795
-12	16	-3.60365
-11	16	-3.35543
-10	16	-3.0967
-9	16	-2.8751
-8	16	-2.68226
-7	16	-2.50967
-6	16	-2.35864
-5	16	-2.22549
-4	16	-2.11424
-3	16	-2.01803
-2	16	-1.9252
-1	16	-1.85533
0	16	-1.80052
1	16	-1.75924
2	16	-1.73679
3	16	-1.72698
4	16	-1.73624
5	16	-1.7827
6	16	-1.83648
7	16	-1.89116
8	16	-1.96526
9	16	-2.06184
10	16	-2.16954
11	16	-2.29827
12	16	-2.37294
13	16	-2.65853
14	16	-2.93772
15	16	-3.16083
16	16	-3.34203
17	16	-3.59636
18	16	-3.8926
19	16	-4.14589
20	16	-4.42406
21	16	-4.79295
22	16	-5.20207
23	16	-5.66577
24	16	-6.14858
25	16	-6.62877
26	16	-7.18649
27	16	-7.75767
28	16	-8.33759
29	16	-8.89978
30	16	-9.39996
31	16	-9.79416
32	16	-10.0227
33	16	-10.0423
34	16	-9.82572
35	16	-9.59037
36	16	-8.81198
37	16	-8.0491
38	16	-7.6471
39	16	-6.45035
40	16	-5.69412
41	16	-4.85181
42	16	-4.11813
43	16	-3.38407
44	16	-2.69981
45	16	-2.05546
46	16	-1.44467
47	16	-0.91164
48	16	-0.380702
49	16	0.11612
50	16	0.568615
51	16	0.99919
52	16	1.39995
53	16	1.76732
54	16	2.11057
55	16	2.39735
56	16	2.67982

57	16	2.94228
58	16	3.1909
59	16	3.43438
60	16	3.56979
61	16	3.71772
62	16	3.8403
63	16	3.94873
64	16	4.04112
65	16	4.11841
66	16	4.15321
67	16	4.15961
68	16	4.138
69	16	4.08246
70	16	3.99183
71	16	3.87274
72	16	3.72897
73	16	3.55843
74	16	3.33793
75	16	3.06505
76	16	2.7637
77	16	2.45039
78	16	2.1086
79	16	1.6676
80	16	1.1654
81	16	0.601223
82	16	-0.014861
83	16	-0.704224
84	16	-1.50616
85	16	-2.44792
86	16	-3.54042
87	16	-4.80932
88	16	-6.33063
89	16	-8.21576
90	16	-10.7216
91	16	-14.3848
92	16	-20.6899
93	16	-35.0021
94	16	-18.9922
95	16	-13.4891
96	16	-10.2022
97	16	-7.86891
98	16	-6.06109
99	16	-4.58331
100	16	-3.34573
101	16	-2.29254
102	16	-1.38785
103	16	-0.60137
104	16	0.0895867
105	16	0.699889
106	16	1.23614
107	16	1.70192
108	16	2.10827
109	16	2.46515
110	16	2.7797
111	16	3.05167
112	16	3.27833
113	16	3.45873
114	16	3.6092
115	16	3.73047
116	16	3.84714
117	16	3.89926
118	16	3.93794
119	16	3.94325
120	16	3.88378
121	16	3.81493
122	16	3.76342
123	16	3.66458
124	16	3.54044
125	16	3.39156
126	16	3.21704
127	16	3.01564
128	16	2.78729
129	16	2.53348
130	16	2.25383
131	16	1.94572
132	16	1.60981
133	16	1.24805
134	16	0.801018
135	16	0.377361
136	16	-0.0727441
137	16	-0.552508
138	16	-1.06142
139	16	-1.60185
140	16	-2.16959
141	16	-2.76897
142	16	-3.39711
143	16	-4.04924
144	16	-4.71888
145	16	-5.39481
146	16	-6.06087
147	16	-6.69726
148	16	-7.28008
149	16	-7.77499
150	16	-8.14778
151	16	-8.36062
152	16	-8.40715
153	16	-8.30196

154	16	-8.06489
155	16	-7.72908
156	16	-7.32561
157	16	-6.88141
158	16	-6.3709
159	16	-5.92617
160	16	-5.49916
161	16	-5.06227
162	16	-4.74381
163	16	-4.38997
164	16	-4.015
165	16	-3.65391
166	16	-3.2905
167	16	-2.98817
168	16	-2.72135
169	16	-2.48314
170	16	-2.26408
171	16	-2.06274
172	16	-1.88392
173	16	-1.72036
174	16	-1.57974
175	16	-1.45784
176	16	-1.35226
177	16	-1.26088
178	16	-1.1796
179	16	-1.11608
180	16	-1.05552
-180	17	1.22428
-179	17	1.25849
-178	17	1.27556
-177	17	1.28372
-176	17	1.28075
-175	17	1.26859
-174	17	1.2488
-173	17	1.21509
-172	17	1.17184
-171	17	1.12017
-170	17	1.05715
-169	17	0.979153
-168	17	0.890495
-167	17	0.790382
-166	17	0.676765
-165	17	0.559433
-164	17	0.413272
-163	17	0.24688
-162	17	0.0560048
-161	17	-0.135647
-160	17	-0.37435
-159	17	-0.61906
-158	17	-0.901897
-157	17	-1.22369
-156	17	-1.57222
-155	17	-1.9476
-154	17	-2.33218
-153	17	-2.68108
-152	17	-3.07271
-151	17	-3.56042
-150	17	-4.10153
-149	17	-4.67028
-148	17	-5.29167
-147	17	-5.95838
-146	17	-6.6628
-145	17	-7.35967
-144	17	-8.2069
-143	17	-8.72876
-142	17	-9.21209
-141	17	-9.45936
-140	17	-9.39017
-139	17	-8.99736
-138	17	-8.27483
-137	17	-7.47712
-136	17	-6.71232
-135	17	-5.79754
-134	17	-4.92893
-133	17	-4.09277
-132	17	-3.28771
-131	17	-2.53749
-130	17	-1.87914
-129	17	-1.22857
-128	17	-0.631451
-127	17	-0.0842312
-126	17	0.423657
-125	17	0.895233
-124	17	1.29442
-123	17	1.71918
-122	17	2.08601
-121	17	2.42044
-120	17	2.72413
-119	17	3.01906
-118	17	3.25352
-117	17	3.40264
-116	17	3.57347
-115	17	3.71726
-114	17	3.83549
-113	17	3.93798
-112	17	3.99104
-111	17	4.01041

-110	17	4.00328
-109	17	3.97234
-108	17	3.90822
-107	17	3.79903
-106	17	3.67742
-105	17	3.46564
-104	17	3.25895
-103	17	3.03425
-102	17	2.78718
-101	17	2.49494
-100	17	2.11017
-99	17	1.59052
-98	17	0.956647
-97	17	0.298266
-96	17	-0.318861
-95	17	-0.971847
-94	17	-1.86656
-93	17	-3.18232
-92	17	-4.90879
-91	17	-6.80865
-90	17	-8.74128
-89	17	-11.0959
-88	17	-14.8432
-87	17	-22.7118
-86	17	-26.6514
-85	17	-16.206
-84	17	-11.6028
-83	17	-8.65338
-82	17	-6.51831
-81	17	-4.8892
-80	17	-3.58147
-79	17	-2.48236
-78	17	-1.52487
-77	17	-0.685281
-76	17	0.0462737
-75	17	0.680735
-74	17	1.23039
-73	17	1.70773
-72	17	2.11891
-71	17	2.47199
-70	17	2.77581
-69	17	3.0327
-68	17	3.2457
-67	17	3.41861
-66	17	3.57224
-65	17	3.66908
-64	17	3.73219
-63	17	3.76434
-62	17	3.6994
-61	17	3.66841
-60	17	3.63002
-59	17	3.54036
-58	17	3.42113
-57	17	3.27123
-56	17	3.09152
-55	17	2.88279
-54	17	2.6366
-53	17	2.40238
-52	17	2.10892
-51	17	1.73163
-50	17	1.36441
-49	17	0.9098
-48	17	0.347436
-47	17	-0.00709286
-46	17	-0.533813
-45	17	-1.08962
-44	17	-1.6871
-43	17	-2.32889
-42	17	-3.01462
-41	17	-3.74414
-40	17	-4.51149
-39	17	-5.3159
-38	17	-6.13622
-37	17	-6.95892
-36	17	-7.73749
-35	17	-8.41371
-34	17	-8.92216
-33	17	-9.198
-32	17	-9.21092
-31	17	-8.97449
-30	17	-8.43599
-29	17	-7.91699
-28	17	-7.24874
-27	17	-6.61133
-26	17	-6.0747
-25	17	-5.51088
-24	17	-4.92861
-23	17	-4.33579
-22	17	-3.86387
-21	17	-3.41003
-20	17	-2.98013
-19	17	-2.58219
-18	17	-2.21749
-17	17	-1.86724
-16	17	-1.57826
-15	17	-1.31419
-14	17	-1.05489

-13	17	-0.807686
-12	17	-0.58391
-11	17	-0.382071
-10	17	-0.203328
-9	17	-0.0447445
-8	17	0.0989215
-7	17	0.227844
-6	17	0.33951
-5	17	0.436628
-4	17	0.519854
-3	17	0.592755
-2	17	0.653801
-1	17	0.702188
0	17	0.752209
1	17	0.788451
2	17	0.796207
3	17	0.795681
4	17	0.79052
5	17	0.779142
6	17	0.752491
7	17	0.697727
8	17	0.708613
9	17	0.591189
10	17	0.508136
11	17	0.420634
12	17	0.32225
13	17	0.210204
14	17	0.0865226
15	17	-0.0446404
16	17	-0.20911
17	17	-0.398641
18	17	-0.608515
19	17	-0.885892
20	17	-1.18142
21	17	-1.39972
22	17	-1.71685
23	17	-2.0769
24	17	-2.51414
25	17	-2.90387
26	17	-3.33662
27	17	-3.75677
28	17	-4.20965
29	17	-4.76812
30	17	-5.37914
31	17	-6.04325
32	17	-6.76176
33	17	-7.52839
34	17	-8.42425
35	17	-8.98189
36	17	-9.72896
37	17	-10.2086
38	17	-10.3599
39	17	-10.099
40	17	-9.53332
41	17	-8.73028
42	17	-7.79396
43	17	-6.84327
44	17	-5.86956
45	17	-4.95771
46	17	-4.08281
47	17	-3.30526
48	17	-2.54843
49	17	-1.83132
50	17	-1.2252
51	17	-0.602011
52	17	-0.0373232
53	17	0.475552
54	17	0.932754
55	17	1.36359
56	17	1.76595
57	17	2.14568
58	17	2.48361
59	17	2.77439
60	17	3.02984
61	17	3.28786
62	17	3.50153
63	17	3.63789
64	17	3.79041
65	17	3.90943
66	17	3.99492
67	17	4.06216
68	17	4.0774
69	17	4.06555
70	17	4.02237
71	17	3.93266
72	17	3.81477
73	17	3.67541
74	17	3.51317
75	17	3.29864
76	17	3.04675
77	17	2.72972
78	17	2.36017
79	17	1.95328
80	17	1.50206
81	17	0.980452
82	17	0.370076
83	17	-0.327058

84	17	-1.11348
85	17	-2.01299
86	17	-3.07209
87	17	-4.34225
88	17	-5.89301
89	17	-7.83625
90	17	-10.4037
91	17	-14.1245
92	17	-20.7393
93	17	-37.005
94	17	-18.9359
95	17	-12.9045
96	17	-9.85934
97	17	-7.45696
98	17	-5.61176
99	17	-4.12866
100	17	-2.89724
101	17	-1.85707
102	17	-0.966799
103	17	-0.196444
104	17	0.474514
105	17	1.05894
106	17	1.56885
107	17	2.01207
108	17	2.39324
109	17	2.71919
110	17	3.0004
111	17	3.24109
112	17	3.44124
113	17	3.60155
114	17	3.74308
115	17	3.81926
116	17	3.88583
117	17	3.91563
118	17	3.84088
119	17	3.79379
120	17	3.74147
121	17	3.64196
122	17	3.51194
123	17	3.34616
124	17	3.14724
125	17	2.91957
126	17	2.662
127	17	2.37221
128	17	2.04974
129	17	1.69558
130	17	1.30996
131	17	0.82968
132	17	0.362642
133	17	-0.133876
134	17	-0.667809
135	17	-1.242
136	17	-1.85646
137	17	-2.51335
138	17	-3.20904
139	17	-3.94147
140	17	-4.70078
141	17	-5.4801
142	17	-6.24967
143	17	-6.97827
144	17	-7.61962
145	17	-8.10841
146	17	-8.39307
147	17	-8.44279
148	17	-8.26499
149	17	-7.90122
150	17	-7.32934
151	17	-6.79151
152	17	-6.15299
153	17	-5.56294
154	17	-5.06662
155	17	-4.54904
156	17	-4.02091
157	17	-3.52126
158	17	-3.06008
159	17	-2.63598
160	17	-2.24528
161	17	-1.88274
162	17	-1.54934
163	17	-1.24032
164	17	-0.961201
165	17	-0.717421
166	17	-0.478712
167	17	-0.25092
168	17	-0.0431452
169	17	0.144987
170	17	0.311319
171	17	0.45925
172	17	0.593898
173	17	0.714377
174	17	0.818617
175	17	0.91224
176	17	0.995226
177	17	1.06561
178	17	1.12611
179	17	1.17749
180	17	1.22428

-180	18	2.73706
-179	18	2.76427
-178	18	2.77877
-177	18	2.78753
-176	18	2.78596
-175	18	2.77736
-174	18	2.76047
-173	18	2.73503
-172	18	2.70318
-171	18	2.66511
-170	18	2.62374
-169	18	2.57113
-168	18	2.50868
-167	18	2.43826
-166	18	2.3602
-165	18	2.28286
-164	18	2.18833
-163	18	2.07089
-162	18	1.95477
-161	18	1.75938
-160	18	1.63149
-159	18	1.45648
-158	18	1.26195
-157	18	1.04774
-156	18	0.815692
-155	18	0.560883
-154	18	0.285714
-153	18	-0.0235488
-152	18	-0.363784
-151	18	-0.767404
-150	18	-1.21995
-149	18	-1.68151
-148	18	-2.16175
-147	18	-2.65705
-146	18	-3.19573
-145	18	-3.8266
-144	18	-4.5098
-143	18	-5.29993
-142	18	-6.0912
-141	18	-6.94042
-140	18	-7.81114
-139	18	-8.6108
-138	18	-9.32469
-137	18	-9.60041
-136	18	-9.53519
-135	18	-9.06485
-134	18	-8.24565
-133	18	-7.26595
-132	18	-6.25027
-131	18	-5.23804
-130	18	-4.28167
-129	18	-3.39699
-128	18	-2.60483
-127	18	-1.83998
-126	18	-1.13975
-125	18	-0.50078
-124	18	0.0852991
-123	18	0.625788
-122	18	1.10408
-121	18	1.54917
-120	18	1.94481
-119	18	2.30158
-118	18	2.62684
-117	18	2.94291
-116	18	3.19269
-115	18	3.39341
-114	18	3.52318
-113	18	3.6665
-112	18	3.77451
-111	18	3.86951
-110	18	3.90934
-109	18	3.91006
-108	18	3.87655
-107	18	3.81149
-106	18	3.70296
-105	18	3.53208
-104	18	3.29913
-103	18	3.03017
-102	18	2.74594
-101	18	2.4715
-100	18	2.13383
-99	18	1.72688
-98	18	1.21253
-97	18	0.569842
-96	18	-0.167725
-95	18	-0.908159
-94	18	-1.62465
-93	18	-2.48835
-92	18	-3.82396
-91	18	-5.90256
-90	18	-8.74541
-89	18	-12.0558
-88	18	-15.8537
-87	18	-22.0917
-86	18	-25.2187
-85	18	-16.1674
-84	18	-11.4082

-83	18	-8.3639
-82	18	-6.15662
-81	18	-4.44244
-80	18	-3.09095
-79	18	-1.9999
-78	18	-1.08316
-77	18	-0.283588
-76	18	0.419969
-75	18	1.03403
-74	18	1.5652
-73	18	2.02159
-72	18	2.41237
-71	18	2.74221
-70	18	3.01706
-69	18	3.24154
-68	18	3.44063
-67	18	3.58038
-66	18	3.6729
-65	18	3.66953
-64	18	3.67516
-63	18	3.65538
-62	18	3.62197
-61	18	3.53432
-60	18	3.41301
-59	18	3.2564
-58	18	3.06275
-57	18	2.87183
-56	18	2.61649
-55	18	2.28267
-54	18	1.94508
-53	18	1.55479
-52	18	1.0758
-51	18	0.630301
-50	18	0.12759
-49	18	-0.427551
-48	18	-1.03085
-47	18	-1.68446
-46	18	-2.39355
-45	18	-3.15691
-44	18	-3.97251
-43	18	-4.83656
-42	18	-5.74107
-41	18	-6.65792
-40	18	-7.53918
-39	18	-8.31799
-38	18	-8.88928
-37	18	-9.15757
-36	18	-8.91503
-35	18	-8.57415
-34	18	-7.9245
-33	18	-7.18987
-32	18	-6.56828
-31	18	-5.88284
-30	18	-5.14726
-29	18	-4.44772
-28	18	-3.80327
-27	18	-3.19434
-26	18	-2.63073
-25	18	-2.18446
-24	18	-1.72376
-23	18	-1.30439
-22	18	-0.921504
-21	18	-0.572924
-20	18	-0.252595
-19	18	0.0408866
-18	18	0.30997
-17	18	0.556689
-16	18	0.778935
-15	18	0.959998
-14	18	1.12524
-13	18	1.29964
-12	18	1.4618
-11	18	1.6112
-10	18	1.74268
-9	18	1.8553
-8	18	1.96118
-7	18	2.05846
-6	18	2.14166
-5	18	2.21362
-4	18	2.27414
-3	18	2.32832
-2	18	2.37395
-1	18	2.41242
0	18	2.44471
1	18	2.46488
2	18	2.47692
3	18	2.48389
4	18	2.47636
5	18	2.50782
6	18	2.44346
7	18	2.41761
8	18	2.37882
9	18	2.32438
10	18	2.27549
11	18	2.22168
12	18	2.15058
13	18	2.07118

14	18	1.98391
15	18	1.89651
16	18	1.7905
17	18	1.65738
18	18	1.50815
19	18	1.34332
20	18	1.16388
21	18	0.966375
22	18	0.75279
23	18	0.489909
24	18	0.171256
25	18	-0.0693178
26	18	-0.351528
27	18	-0.703092
28	18	-1.08255
29	18	-1.53306
30	18	-2.04178
31	18	-2.57975
32	18	-3.14154
33	18	-3.77383
34	18	-4.22333
35	18	-5.04666
36	18	-5.8493
37	18	-6.74879
38	18	-7.66256
39	18	-8.59555
40	18	-9.48451
41	18	-10.186
42	18	-10.5189
43	18	-10.3496
44	18	-9.71282
45	18	-8.84737
46	18	-7.65427
47	18	-6.5549
48	18	-5.45781
49	18	-4.43973
50	18	-3.51324
51	18	-2.65697
52	18	-1.91005
53	18	-1.21101
54	18	-0.565679
55	18	0.041581
56	18	0.603036
57	18	1.10658
58	18	1.53879
59	18	1.94253
60	18	2.31977
61	18	2.6668
62	18	2.97054
63	18	3.2518
64	18	3.46934
65	18	3.63914
66	18	3.74008
67	18	3.82408
68	18	3.8913
69	18	3.95265
70	18	3.97703
71	18	3.93446
72	18	3.8719
73	18	3.77791
74	18	3.63676
75	18	3.4353
76	18	3.19419
77	18	2.92548
78	18	2.61331
79	18	2.23539
80	18	1.78898
81	18	1.28261
82	18	0.709894
83	18	0.0492342
84	18	-0.728376
85	18	-1.64304
86	18	-2.72551
87	18	-4.01976
88	18	-5.58716
89	18	-7.52781
90	18	-10.056
91	18	-13.6991
92	18	-20.2305
93	18	-37.8344
94	18	-18.1805
95	18	-12.6356
96	18	-9.31776
97	18	-7.06324
98	18	-5.08337
99	18	-3.64171
100	18	-2.46835
101	18	-1.44832
102	18	-0.581218
103	18	0.163261
104	18	0.809168
105	18	1.36904
106	18	1.85264
107	18	2.27115
108	18	2.63323
109	18	2.94345
110	18	3.2014

111	18	3.41154
112	18	3.59985
113	18	3.70315
114	18	3.81317
115	18	3.8045
116	18	3.80641
117	18	3.78308
118	18	3.74074
119	18	3.6354
120	18	3.49646
121	18	3.32832
122	18	3.12776
123	18	2.88702
124	18	2.60534
125	18	2.29046
126	18	1.94302
127	18	1.55524
128	18	1.1234
129	18	0.577712
130	18	0.0562321
131	18	-0.513047
132	18	-1.13332
133	18	-1.8026
134	18	-2.52349
135	18	-3.29694
136	18	-4.11697
137	18	-4.97652
138	18	-5.85008
139	18	-6.70067
140	18	-7.46639
141	18	-8.07106
142	18	-8.422
143	18	-8.46336
144	18	-8.07106
145	18	-7.61972
146	18	-6.93827
147	18	-6.22534
148	18	-5.62537
149	18	-4.98072
150	18	-4.30193
151	18	-3.65882
152	18	-3.07035
153	18	-2.52779
154	18	-2.02983
155	18	-1.56928
156	18	-1.14884
157	18	-0.762314
158	18	-0.406804
159	18	-0.0824825
160	18	0.215048
161	18	0.486988
162	18	0.737663
163	18	0.967752
164	18	1.17433
165	18	1.34164
166	18	1.49783
167	18	1.66111
168	18	1.81204
169	18	1.95021
170	18	2.07238
171	18	2.17924
172	18	2.28026
173	18	2.37108
174	18	2.4476
175	18	2.51588
176	18	2.57416
177	18	2.62334
178	18	2.66691
179	18	2.70371
180	18	2.73706
-180	19	3.70753
-179	19	3.72101
-178	19	3.72229
-177	19	3.72228
-176	19	3.71542
-175	19	3.70955
-174	19	3.70314
-173	19	3.69314
-172	19	3.67498
-171	19	3.65338
-170	19	3.62979
-169	19	3.59495
-168	19	3.55401
-167	19	3.50648
-166	19	3.45442
-165	19	3.41081
-164	19	3.35512
-163	19	3.27407
-162	19	3.18511
-161	19	3.07624
-160	19	2.96088
-159	19	2.84989
-158	19	2.71055
-157	19	2.55492
-156	19	2.38429
-155	19	2.19742
-154	19	1.99394

-153	19	1.77653
-152	19	1.53925
-151	19	1.28256
-150	19	0.993924
-149	19	0.664612
-148	19	0.272385
-147	19	-0.164123
-146	19	-0.639087
-145	19	-1.16208
-144	19	-1.67972
-143	19	-2.29317
-142	19	-2.94545
-141	19	-3.60928
-140	19	-4.38946
-139	19	-5.30978
-138	19	-6.31695
-137	19	-7.20792
-136	19	-8.20149
-135	19	-9.07244
-134	19	-9.65242
-133	19	-9.75098
-132	19	-9.29051
-131	19	-8.43041
-130	19	-7.36434
-129	19	-6.22691
-128	19	-5.12227
-127	19	-4.0889
-126	19	-3.16296
-125	19	-2.28876
-124	19	-1.48947
-123	19	-0.766194
-122	19	-0.119529
-121	19	0.431396
-120	19	0.995514
-119	19	1.47153
-118	19	1.8949
-117	19	2.26687
-116	19	2.62802
-115	19	2.92175
-114	19	3.17031
-113	19	3.37526
-112	19	3.49118
-111	19	3.62585
-110	19	3.73978
-109	19	3.79106
-108	19	3.80079
-107	19	3.77635
-106	19	3.72148
-105	19	3.62503
-104	19	3.46369
-103	19	3.2135
-102	19	2.87759
-101	19	2.49885
-100	19	2.11516
-99	19	1.71129
-98	19	1.23432
-97	19	0.658104
-96	19	-0.0637696
-95	19	-0.873479
-94	19	-1.77346
-93	19	-2.70863
-92	19	-3.71321
-91	19	-5.07239
-90	19	-7.29609
-89	19	-11.0066
-88	19	-17.1664
-87	19	-27.2585
-86	19	-21.3405
-85	19	-15.1557
-84	19	-11.0063
-83	19	-8.03936
-82	19	-5.84988
-81	19	-4.13825
-80	19	-2.73573
-79	19	-1.58358
-78	19	-0.64473
-77	19	0.13233
-76	19	0.79529
-75	19	1.3714
-74	19	1.86946
-73	19	2.29524
-72	19	2.65798
-71	19	2.96268
-70	19	3.20997
-69	19	3.4214
-68	19	3.5634
-67	19	3.59887
-66	19	3.64608
-65	19	3.65712
-64	19	3.62547
-63	19	3.57237
-62	19	3.45987
-61	19	3.30318
-60	19	3.16307
-59	19	2.89339
-58	19	2.61516
-57	19	2.29759

-56	19	1.95712
-55	19	1.5665
-54	19	1.07891
-53	19	0.500008
-52	19	-0.063846
-51	19	-0.682582
-50	19	-1.36144
-49	19	-2.10579
-48	19	-2.91845
-47	19	-3.79933
-46	19	-4.74386
-45	19	-5.73519
-44	19	-6.73841
-43	19	-7.68337
-42	19	-8.47872
-41	19	-8.98381
-40	19	-8.91331
-39	19	-8.57978
-38	19	-7.89735
-37	19	-7.26633
-36	19	-6.53778
-35	19	-5.66292
-34	19	-4.8345
-33	19	-4.05451
-32	19	-3.34021
-31	19	-2.68297
-30	19	-2.0374
-29	19	-1.53021
-28	19	-1.03991
-27	19	-0.587139
-26	19	-0.176294
-25	19	0.199028
-24	19	0.540875
-23	19	0.853432
-22	19	1.14132
-21	19	1.40294
-20	19	1.63895
-19	19	1.85461
-18	19	2.05187
-17	19	2.23244
-16	19	2.39463
-15	19	2.51579
-14	19	2.62442
-13	19	2.74759
-12	19	2.86216
-11	19	2.96562
-10	19	3.06136
-9	19	3.1388
-8	19	3.21071
-7	19	3.27923
-6	19	3.33582
-5	19	3.38495
-4	19	3.42707
-3	19	3.46332
-2	19	3.49458
-1	19	3.52144
0	19	3.53963
1	19	3.55233
2	19	3.59374
3	19	3.56893
4	19	3.5628
5	19	3.55434
6	19	3.53829
7	19	3.5222
8	19	3.49818
9	19	3.47117
10	19	3.4375
11	19	3.38914
12	19	3.34683
13	19	3.29539
14	19	3.23541
15	19	3.18389
16	19	3.11809
17	19	3.02386
18	19	2.91938
19	19	2.80385
20	19	2.67758
21	19	2.54088
22	19	2.38777
23	19	2.2171
24	19	2.02783
25	19	1.7961
26	19	1.59225
27	19	1.30618
28	19	1.06757
29	19	0.778863
30	19	0.4442
31	19	0.079638
32	19	-0.375283
33	19	-0.724425
34	19	-1.3227
35	19	-1.93847
36	19	-2.58077
37	19	-3.32477
38	19	-3.99377
39	19	-4.77145
40	19	-5.70994

41	19	-6.71318
42	19	-7.81546
43	19	-8.93124
44	19	-9.9266
45	19	-10.5633
46	19	-10.6116
47	19	-10.0473
48	19	-9.06395
49	19	-7.85652
50	19	-6.59438
51	19	-5.42795
52	19	-4.3479
53	19	-3.33866
54	19	-2.46039
55	19	-1.63316
56	19	-0.902487
57	19	-0.244978
58	19	0.368295
59	19	0.940887
60	19	1.46189
61	19	1.89899
62	19	2.28941
63	19	2.64219
64	19	2.9402
65	19	3.19545
66	19	3.41044
67	19	3.59712
68	19	3.67696
69	19	3.7657
70	19	3.84691
71	19	3.8787
72	19	3.85747
73	19	3.7778
74	19	3.6646
75	19	3.52524
76	19	3.33995
77	19	3.09561
78	19	2.79924
79	19	2.45688
80	19	2.05459
81	19	1.57229
82	19	0.998189
83	19	0.324937
84	19	-0.46109
85	19	-1.37636
86	19	-2.44094
87	19	-3.69704
88	19	-5.22246
89	19	-7.14543
90	19	-9.69412
91	19	-13.4106
92	19	-20.2117
93	19	-34.2186
94	19	-17.3748
95	19	-12.0297
96	19	-8.78429
97	19	-6.46586
98	19	-4.68339
99	19	-3.25867
100	19	-2.1764
101	19	-1.06294
102	19	-0.16265
103	19	0.479299
104	19	1.1108
105	19	1.65638
106	19	2.12608
107	19	2.52505
108	19	2.86082
109	19	3.14348
110	19	3.37666
111	19	3.57269
112	19	3.70731
113	19	3.72521
114	19	3.75822
115	19	3.75669
116	19	3.71265
117	19	3.64865
118	19	3.52673
119	19	3.36234
120	19	3.15685
121	19	2.91657
122	19	2.63891
123	19	2.31423
124	19	1.93777
125	19	1.51955
126	19	1.06105
127	19	0.474512
128	19	-0.104908
129	19	-0.743467
130	19	-1.43569
131	19	-2.19079
132	19	-3.01386
133	19	-3.89761
134	19	-4.82972
135	19	-5.78772
136	19	-6.72019
137	19	-7.5513

138	19	-8.16603
139	19	-8.45629
140	19	-8.21804
141	19	-7.75991
142	19	-7.04162
143	19	-6.39597
144	19	-5.68679
145	19	-4.86756
146	19	-4.09592
147	19	-3.37144
148	19	-2.71081
149	19	-2.10207
150	19	-1.54434
151	19	-1.03465
152	19	-0.568246
153	19	-0.143477
154	19	0.236352
155	19	0.584994
156	19	0.910453
157	19	1.20145
158	19	1.45964
159	19	1.70729
160	19	1.94999
161	19	2.15214
162	19	2.32877
163	19	2.49059
164	19	2.63193
165	19	2.74332
166	19	2.84768
167	19	2.96153
168	19	3.0666
169	19	3.1624
170	19	3.24895
171	19	3.31709
172	19	3.38532
173	19	3.45336
174	19	3.50584
175	19	3.54637
176	19	3.58304
177	19	3.62431
178	19	3.66174
179	19	3.68734
180	19	3.70753
-180	20	4.20639
-179	20	4.20831
-178	20	4.20954
-177	20	4.21509
-176	20	4.21432
-175	20	4.21541
-174	20	4.20942
-173	20	4.20111
-172	20	4.18935
-171	20	4.1786
-170	20	4.16887
-169	20	4.1512
-168	20	4.13017
-167	20	4.10385
-166	20	4.07604
-165	20	4.0613
-164	20	4.03813
-163	20	3.98975
-162	20	3.93543
-161	20	3.88781
-160	20	3.78225
-159	20	3.72117
-158	20	3.63086
-157	20	3.52876
-156	20	3.41565
-155	20	3.29054
-154	20	3.14901
-153	20	2.99064
-152	20	2.81367
-151	20	2.61571
-150	20	2.397
-149	20	2.15627
-148	20	1.89106
-147	20	1.59805
-146	20	1.26742
-145	20	0.894786
-144	20	0.479333
-143	20	0.0457722
-142	20	-0.430245
-141	20	-1.08819
-140	20	-1.73527
-139	20	-2.56271
-138	20	-3.23429
-137	20	-3.97929
-136	20	-4.9036
-135	20	-5.90461
-134	20	-7.02907
-133	20	-8.25786
-132	20	-9.16113
-131	20	-9.76534
-130	20	-9.84896
-129	20	-9.24427
-128	20	-8.20569
-127	20	-6.96856

-126	20	-5.72941
-125	20	-4.56447
-124	20	-3.5187
-123	20	-2.54631
-122	20	-1.67146
-121	20	-0.883227
-120	20	-0.17235
-119	20	0.451934
-118	20	1.00708
-117	20	1.50227
-116	20	1.93828
-115	20	2.31819
-114	20	2.67977
-113	20	2.96471
-112	20	3.20115
-111	20	3.33958
-110	20	3.47104
-109	20	3.57507
-108	20	3.65495
-107	20	3.65992
-106	20	3.619
-105	20	3.55144
-104	20	3.46293
-103	20	3.32679
-102	20	3.10669
-101	20	2.77575
-100	20	2.3427
-99	20	1.84839
-98	20	1.32284
-97	20	0.731946
-96	20	0.0125148
-95	20	-0.850591
-94	20	-1.82773
-93	20	-2.92768
-92	20	-4.17734
-91	20	-5.69454
-90	20	-7.48247
-89	20	-10.102
-88	20	-14.9992
-87	20	-29.4819
-86	20	-19.5386
-85	20	-13.3122
-84	20	-9.98382
-83	20	-7.43701
-82	20	-5.3679
-81	20	-3.73974
-80	20	-2.42804
-79	20	-1.2997
-78	20	-0.319274
-77	20	0.500252
-76	20	1.16734
-75	20	1.71583
-74	20	2.17534
-73	20	2.56029
-72	20	2.88213
-71	20	3.16723
-70	20	3.3806
-69	20	3.48665
-68	20	3.57771
-67	20	3.62938
-66	20	3.63575
-65	20	3.61477
-64	20	3.52948
-63	20	3.43541
-62	20	3.23961
-61	20	3.00553
-60	20	2.73348
-59	20	2.41866
-58	20	2.07292
-57	20	1.62267
-56	20	1.15052
-55	20	0.540723
-54	20	-0.0632163
-53	20	-0.734634
-52	20	-1.48008
-51	20	-2.30333
-50	20	-3.2085
-49	20	-4.19546
-48	20	-5.25716
-47	20	-6.36842
-46	20	-7.42893
-45	20	-8.34342
-44	20	-8.73149
-43	20	-8.84835
-42	20	-8.33425
-41	20	-7.80831
-40	20	-7.09078
-39	20	-6.11826
-38	20	-5.16386
-37	20	-4.26938
-36	20	-3.44513
-35	20	-2.6898
-34	20	-2.00309
-33	20	-1.34042
-32	20	-0.814196
-31	20	-0.313098
-30	20	0.146542

-29	20	0.563921
-28	20	0.946273
-27	20	1.28913
-26	20	1.59888
-25	20	1.88186
-24	20	2.13597
-23	20	2.36713
-22	20	2.57878
-21	20	2.76921
-20	20	2.94112
-19	20	3.09574
-18	20	3.23491
-17	20	3.35991
-16	20	3.47117
-15	20	3.54662
-14	20	3.61029
-13	20	3.68949
-12	20	3.76275
-11	20	3.82856
-10	20	3.88918
-9	20	3.93491
-8	20	3.97723
-7	20	4.01982
-6	20	4.05384
-5	20	4.08224
-4	20	4.10582
-3	20	4.12636
-2	20	4.14542
-1	20	4.16477
0	20	4.196
1	20	4.17273
2	20	4.17496
3	20	4.18179
4	20	4.18193
5	20	4.17896
6	20	4.17305
7	20	4.15611
8	20	4.14223
9	20	4.13139
10	20	4.11502
11	20	4.09534
12	20	4.06092
13	20	4.02823
14	20	3.99857
15	20	3.97663
16	20	3.94455
17	20	3.88462
18	20	3.81838
19	20	3.74431
20	20	3.66336
21	20	3.57179
22	20	3.4709
23	20	3.35546
24	20	3.22566
25	20	3.06574
26	20	2.91038
27	20	2.74495
28	20	2.54645
29	20	2.32013
30	20	2.03604
31	20	1.8249
32	20	1.51318
33	20	1.18214
34	20	0.812673
35	20	0.402612
36	20	-0.0381736
37	20	-0.569081
38	20	-1.17557
39	20	-1.87858
40	20	-2.58477
41	20	-3.39322
42	20	-4.25057
43	20	-5.16319
44	20	-6.22135
45	20	-7.3955
46	20	-8.63402
47	20	-9.80815
48	20	-10.6063
49	20	-10.6314
50	20	-9.89299
51	20	-8.74589
52	20	-7.45039
53	20	-6.10183
54	20	-4.90291
55	20	-3.77065
56	20	-2.80133
57	20	-1.88278
58	20	-1.04054
59	20	-0.303197
60	20	0.352025
61	20	0.896842
62	20	1.44405
63	20	1.87932
64	20	2.27855
65	20	2.63253
66	20	2.95624
67	20	3.1987

68	20	3.40702
69	20	3.53822
70	20	3.64854
71	20	3.70421
72	20	3.74574
73	20	3.73947
74	20	3.68588
75	20	3.57715
76	20	3.42346
77	20	3.22623
78	20	2.96993
79	20	2.64225
80	20	2.2399
81	20	1.75724
82	20	1.18874
83	20	0.532473
84	20	-0.21964
85	20	-1.09813
86	20	-2.14382
87	20	-3.40531
88	20	-4.95437
89	20	-6.91633
90	20	-9.52293
91	20	-13.345
92	20	-20.4696
93	20	-30.7834
94	20	-16.5413
95	20	-11.4245
96	20	-8.28187
97	20	-6.03184
98	20	-4.29112
99	20	-2.88528
100	20	-1.71995
101	20	-0.743822
102	20	0.0535226
103	20	0.77855
104	20	1.42546
105	20	2.0063
106	20	2.38445
107	20	2.75874
108	20	3.06877
109	20	3.32956
110	20	3.49775
111	20	3.60086
112	20	3.6794
113	20	3.71614
114	20	3.70687
115	20	3.67374
116	20	3.57795
117	20	3.43497
118	20	3.24927
119	20	3.01907
120	20	2.74203
121	20	2.41677
122	20	2.04369
123	20	1.61501
124	20	1.12267
125	20	0.501345
126	20	-0.104086
127	20	-0.7794
128	20	-1.54008
129	20	-2.3768
130	20	-3.27728
131	20	-4.24743
132	20	-5.28147
133	20	-6.32775
134	20	-7.29221
135	20	-8.04167
136	20	-8.25235
137	20	-8.19773
138	20	-7.60215
139	20	-7.0252
140	20	-6.31239
141	20	-5.38448
142	20	-4.49456
143	20	-3.65564
144	20	-2.8808
145	20	-2.19339
146	20	-1.50699
147	20	-0.912839
148	20	-0.419475
149	20	0.0477053
150	20	0.48892
151	20	0.879541
152	20	1.23711
153	20	1.56236
154	20	1.85298
155	20	2.11768
156	20	2.35714
157	20	2.574
158	20	2.77208
159	20	2.94988
160	20	3.10916
161	20	3.25326
162	20	3.38034
163	20	3.49426
164	20	3.59806

165	20	3.66187
166	20	3.71559
167	20	3.79124
168	20	3.85516
169	20	3.90691
170	20	3.96809
171	20	4.01482
172	20	4.05148
173	20	4.08705
174	20	4.1035
175	20	4.12511
176	20	4.15305
177	20	4.17302
178	20	4.18694
179	20	4.19896
180	20	4.20639
-180	21	4.33427
-179	21	4.32653
-178	21	4.34288
-177	21	4.32452
-176	21	4.32373
-175	21	4.32465
-174	21	4.32555
-173	21	4.32758
-172	21	4.32404
-171	21	4.32517
-170	21	4.32911
-169	21	4.32842
-168	21	4.32659
-167	21	4.32148
-166	21	4.3163
-165	21	4.32739
-164	21	4.3341
-163	21	4.31659
-162	21	4.29492
-161	21	4.26549
-160	21	4.23852
-159	21	4.18756
-158	21	4.14603
-157	21	4.08937
-156	21	4.02558
-155	21	3.94963
-154	21	3.86067
-153	21	3.75789
-152	21	3.64138
-151	21	3.50834
-150	21	3.35839
-149	21	3.18845
-148	21	2.99714
-147	21	2.78183
-146	21	2.54022
-145	21	2.27097
-144	21	1.97002
-143	21	1.62935
-142	21	1.2465
-141	21	0.846061
-140	21	0.339561
-139	21	-0.267002
-138	21	-0.886476
-137	21	-1.53448
-136	21	-2.27078
-135	21	-3.09028
-134	21	-3.97435
-133	21	-4.97435
-132	21	-6.10817
-131	21	-7.33064
-130	21	-8.54378
-129	21	-9.54207
-128	21	-10.0058
-127	21	-9.67777
-126	21	-8.73126
-125	21	-7.41575
-124	21	-6.08862
-123	21	-4.82809
-122	21	-3.63754
-121	21	-2.61415
-120	21	-1.67902
-119	21	-0.851909
-118	21	-0.121036
-117	21	0.538255
-116	21	1.11379
-115	21	1.61973
-114	21	2.04906
-113	21	2.45383
-112	21	2.77367
-111	21	3.04327
-110	21	3.25301
-109	21	3.35206
-108	21	3.45852
-107	21	3.54004
-106	21	3.53986
-105	21	3.47072
-104	21	3.34616
-103	21	3.20128
-102	21	3.04239
-101	21	2.83175
-100	21	2.5205

-99	21	2.09278
-98	21	1.55744
-97	21	0.933981
-96	21	0.219867
-95	21	-0.631007
-94	21	-1.67814
-93	21	-2.91235
-92	21	-4.31065
-91	21	-6.00504
-90	21	-8.29178
-89	21	-11.4875
-88	21	-16.3772
-87	21	-28.8403
-86	21	-19.6536
-85	21	-12.344
-84	21	-8.76531
-83	21	-6.4814
-82	21	-4.67273
-81	21	-3.13293
-80	21	-1.88963
-79	21	-0.899684
-78	21	-0.0399345
-77	21	0.753377
-76	21	1.45043
-75	21	2.01943
-74	21	2.46852
-73	21	2.82441
-72	21	3.1221
-71	21	3.34013
-70	21	3.4407
-69	21	3.55485
-68	21	3.61704
-67	21	3.62368
-66	21	3.58937
-65	21	3.54504
-64	21	3.35156
-63	21	3.15921
-62	21	2.89709
-61	21	2.58588
-60	21	2.25061
-59	21	1.83756
-58	21	1.35755
-57	21	0.738911
-56	21	0.113509
-55	21	-0.582349
-54	21	-1.36213
-53	21	-2.23488
-52	21	-3.20546
-51	21	-4.27269
-50	21	-5.4278
-49	21	-6.62444
-48	21	-7.76542
-47	21	-8.47489
-46	21	-8.83455
-45	21	-8.52811
-44	21	-7.96481
-43	21	-7.22603
-42	21	-6.17792
-41	21	-5.12714
-40	21	-4.1466
-39	21	-3.24502
-38	21	-2.42887
-37	21	-1.6922
-36	21	-1.01774
-35	21	-0.408815
-34	21	0.100823
-33	21	0.583323
-32	21	1.01703
-31	21	1.40776
-30	21	1.76011
-29	21	2.07807
-28	21	2.36343
-27	21	2.62086
-26	21	2.84974
-25	21	3.05587
-24	21	3.23807
-23	21	3.40213
-22	21	3.54868
-21	21	3.6781
-20	21	3.79261
-19	21	3.89367
-18	21	3.98207
-17	21	4.05881
-16	21	4.12391
-15	21	4.15781
-14	21	4.18318
-13	21	4.22426
-12	21	4.26123
-11	21	4.29637
-10	21	4.31937
-9	21	4.33616
-8	21	4.35356
-7	21	4.36783
-6	21	4.37859
-5	21	4.38568
-4	21	4.39083
-3	21	4.39849

-2	21	4.41818
-1	21	4.40617
0	21	4.40711
1	21	4.40189
2	21	4.3998
3	21	4.40281
4	21	4.40334
5	21	4.40556
6	21	4.40396
7	21	4.40374
8	21	4.3937
9	21	4.38958
10	21	4.39685
11	21	4.3864
12	21	4.38483
13	21	4.37089
14	21	4.35306
15	21	4.36112
16	21	4.35827
17	21	4.33195
18	21	4.3011
19	21	4.26433
20	21	4.22262
21	21	4.17328
22	21	4.11652
23	21	4.04622
24	21	3.96642
25	21	3.86947
26	21	3.76385
27	21	3.65633
28	21	3.52682
29	21	3.37619
30	21	3.2137
31	21	3.06095
32	21	2.77762
33	21	2.54996
34	21	2.29852
35	21	2.00988
36	21	1.61896
37	21	1.28334
38	21	0.860732
39	21	0.383789
40	21	-0.156724
41	21	-0.778222
42	21	-1.53904
43	21	-2.29883
44	21	-3.17632
45	21	-4.08627
46	21	-5.10692
47	21	-6.29221
48	21	-7.5627
49	21	-8.81155
50	21	-9.92503
51	21	-10.5742
52	21	-10.3336
53	21	-9.30642
54	21	-7.95884
55	21	-6.52832
56	21	-5.14351
57	21	-3.88404
58	21	-2.88701
59	21	-1.86752
60	21	-1.02901
61	21	-0.286226
62	21	0.375918
63	21	0.975421
64	21	1.50342
65	21	1.94448
66	21	2.33847
67	21	2.73084
68	21	3.02491
69	21	3.24263
70	21	3.41629
71	21	3.50443
72	21	3.595
73	21	3.65245
74	21	3.64521
75	21	3.59305
76	21	3.47911
77	21	3.29803
78	21	3.04986
79	21	2.73365
80	21	2.3512
81	21	1.90324
82	21	1.37659
83	21	0.748604
84	21	0.00147674
85	21	-0.883682
86	21	-1.93811
87	21	-3.20866
88	21	-4.77078
89	21	-6.76292
90	21	-9.43992
91	21	-13.4022
92	21	-20.93
93	21	-27.9661
94	21	-15.8076

95	21	-10.9121
96	21	-7.84278
97	21	-5.62081
98	21	-3.89715
99	21	-2.50954
100	21	-1.35697
101	21	-0.389513
102	21	0.4301
103	21	1.12289
104	21	1.69373
105	21	2.18022
106	21	2.61819
107	21	2.98249
108	21	3.25643
109	21	3.42885
110	21	3.54318
111	21	3.63653
112	21	3.68171
113	21	3.67825
114	21	3.63909
115	21	3.53507
116	21	3.38099
117	21	3.17301
118	21	2.9123
119	21	2.60075
120	21	2.23351
121	21	1.80548
122	21	1.31637
123	21	0.689674
124	21	0.0526025
125	21	-0.65388
126	21	-1.4342
127	21	-2.30342
128	21	-3.27488
129	21	-4.33068
130	21	-5.43097
131	21	-6.54142
132	21	-7.55809
133	21	-8.121
134	21	-8.28397
135	21	-7.89024
136	21	-7.23052
137	21	-6.46997
138	21	-5.53736
139	21	-4.5375
140	21	-3.61916
141	21	-2.77102
142	21	-1.99626
143	21	-1.30158
144	21	-0.6727
145	21	-0.105376
146	21	0.402229
147	21	0.858669
148	21	1.27107
149	21	1.64126
150	21	1.9752
151	21	2.27587
152	21	2.54496
153	21	2.78719
154	21	3.00127
155	21	3.19447
156	21	3.36303
157	21	3.51461
158	21	3.6493
159	21	3.76526
160	21	3.87042
161	21	3.95683
162	21	4.03592
163	21	4.10439
164	21	4.15157
165	21	4.18346
166	21	4.2046
167	21	4.23669
168	21	4.25229
169	21	4.27292
170	21	4.29996
171	21	4.30673
172	21	4.3145
173	21	4.32382
174	21	4.32988
175	21	4.33089
176	21	4.33131
177	21	4.3321
178	21	4.33477
179	21	4.33798
180	21	4.33427
-180	22	4.11109
-179	22	4.09276
-178	22	4.08293
-177	22	4.08304
-176	22	4.08217
-175	22	4.08411
-174	22	4.08541
-173	22	4.09399
-172	22	4.10541
-171	22	4.11976
-170	22	4.13762

-169	22	4.15519
-168	22	4.17346
-167	22	4.19076
-166	22	4.20909
-165	22	4.24748
-164	22	4.28416
-163	22	4.29889
-162	22	4.31171
-161	22	4.31913
-160	22	4.32597
-159	22	4.32007
-158	22	4.32126
-157	22	4.30618
-156	22	4.28674
-155	22	4.25825
-154	22	4.22049
-153	22	4.17204
-152	22	4.11161
-151	22	4.03495
-150	22	3.94468
-149	22	3.83805
-148	22	3.71386
-147	22	3.56932
-146	22	3.40093
-145	22	3.20865
-144	22	2.98571
-143	22	2.7416
-142	22	2.45947
-141	22	2.14003
-140	22	1.61464
-139	22	1.32008
-138	22	0.919677
-137	22	0.392176
-136	22	-0.178622
-135	22	-0.959611
-134	22	-1.70312
-133	22	-2.57397
-132	22	-3.37814
-131	22	-4.4045
-130	22	-5.57418
-129	22	-6.83288
-128	22	-8.15687
-127	22	-9.32417
-126	22	-9.97228
-125	22	-9.79777
-124	22	-8.85409
-123	22	-7.51382
-122	22	-6.07736
-121	22	-4.73496
-120	22	-3.60521
-119	22	-2.60641
-118	22	-1.6016
-117	22	-0.692593
-116	22	0.0834356
-115	22	0.713953
-114	22	1.2993
-113	22	1.78299
-112	22	2.23214
-111	22	2.57401
-110	22	2.86779
-109	22	3.10238
-108	22	3.27283
-107	22	3.33467
-106	22	3.42501
-105	22	3.43406
-104	22	3.36051
-103	22	3.1971
-102	22	2.9697
-101	22	2.71752
-100	22	2.44685
-99	22	2.10692
-98	22	1.65543
-97	22	1.09124
-96	22	0.416478
-95	22	-0.394745
-94	22	-1.3877
-93	22	-2.62048
-92	22	-4.15316
-91	22	-6.01903
-90	22	-8.35208
-89	22	-11.7811
-88	22	-18.3161
-87	22	-34.3506
-86	22	-17.3016
-85	22	-11.85
-84	22	-8.28852
-83	22	-5.72156
-82	22	-3.95213
-81	22	-2.5398
-80	22	-1.3197
-79	22	-0.316265
-78	22	0.460185
-77	22	1.13039
-76	22	1.75339
-75	22	2.26636
-74	22	2.68664
-73	22	3.05623

-72	22	3.27238
-71	22	3.45191
-70	22	3.56225
-69	22	3.614
-68	22	3.61668
-67	22	3.62927
-66	22	3.4889
-65	22	3.32826
-64	22	3.11194
-63	22	2.84356
-62	22	2.50865
-61	22	2.11966
-60	22	1.66341
-59	22	1.13473
-58	22	0.450579
-57	22	-0.248867
-56	22	-1.03857
-55	22	-1.92827
-54	22	-2.92718
-53	22	-4.03952
-52	22	-5.2611
-51	22	-6.54199
-50	22	-7.57915
-49	22	-8.46363
-48	22	-8.5928
-47	22	-8.33704
-46	22	-7.78332
-45	22	-6.70449
-44	22	-5.56137
-43	22	-4.46323
-42	22	-3.4518
-41	22	-2.53711
-40	22	-1.71485
-39	22	-0.980334
-38	22	-0.290174
-37	22	0.255078
-36	22	0.773018
-35	22	1.23793
-34	22	1.6538
-33	22	2.02611
-32	22	2.35689
-31	22	2.65193
-30	22	2.91444
-29	22	3.14782
-28	22	3.35488
-27	22	3.53603
-26	22	3.69362
-25	22	3.83425
-24	22	3.95519
-23	22	4.05736
-22	22	4.14741
-21	22	4.22085
-20	22	4.28127
-19	22	4.33068
-18	22	4.37089
-17	22	4.40134
-16	22	4.42191
-15	22	4.41666
-14	22	4.40511
-13	22	4.40852
-12	22	4.40821
-11	22	4.40459
-10	22	4.3982
-9	22	4.38453
-8	22	4.37371
-7	22	4.3611
-6	22	4.34758
-5	22	4.33287
-4	22	4.33001
-3	22	4.30735
-2	22	4.29975
-1	22	4.29502
0	22	4.28267
1	22	4.26834
2	22	4.26194
3	22	4.26442
4	22	4.26548
5	22	4.26983
6	22	4.27273
7	22	4.27956
8	22	4.28802
9	22	4.29556
10	22	4.30525
11	22	4.32772
12	22	4.33295
13	22	4.34935
14	22	4.36447
15	22	4.3837
16	22	4.4148
17	22	4.42022
18	22	4.42705
19	22	4.42971
20	22	4.4305
21	22	4.42204
22	22	4.40594
23	22	4.37607
24	22	4.34134

25	22	4.29857
26	22	4.26264
27	22	4.18642
28	22	4.12084
29	22	4.03073
30	22	3.92284
31	22	3.80117
32	22	3.66196
33	22	3.49423
34	22	3.28474
35	22	3.04385
36	22	2.8356
37	22	2.55671
38	22	2.24362
39	22	1.88909
40	22	1.49107
41	22	1.0451
42	22	0.532758
43	22	-0.056689
44	22	-0.740751
45	22	-1.5998
46	22	-2.42998
47	22	-3.40836
48	22	-4.38551
49	22	-5.50582
50	22	-6.8378
51	22	-8.2842
52	22	-9.61058
53	22	-10.5294
54	22	-10.4967
55	22	-9.55368
56	22	-7.95173
57	22	-6.44399
58	22	-5.10663
59	22	-3.84482
60	22	-2.71158
61	22	-1.75187
62	22	-0.876905
63	22	-0.130676
64	22	0.533507
65	22	1.14787
66	22	1.6864
67	22	2.11437
68	22	2.50766
69	22	2.83029
70	22	3.09284
71	22	3.29618
72	22	3.45255
73	22	3.50453
74	22	3.56482
75	22	3.53506
76	22	3.4412
77	22	3.28466
78	22	3.0716
79	22	2.80083
80	22	2.45993
81	22	2.03489
82	22	1.51788
83	22	0.897639
84	22	0.158554
85	22	-0.720226
86	22	-1.77588
87	22	-3.0625
88	22	-4.64993
89	22	-6.66591
90	22	-9.37571
91	22	-13.4192
92	22	-21.2845
93	22	-26.2779
94	22	-15.1519
95	22	-10.3908
96	22	-7.36884
97	22	-5.17233
98	22	-3.47015
99	22	-2.10123
100	22	-0.972551
101	22	-0.036381
102	22	0.750179
103	22	1.41093
104	22	1.96865
105	22	2.42945
106	22	2.7807
107	22	3.12869
108	22	3.31202
109	22	3.49699
110	22	3.68398
111	22	3.66616
112	22	3.66729
113	22	3.62746
114	22	3.51394
115	22	3.34399
116	22	3.1162
117	22	2.83258
118	22	2.48558
119	22	2.07824
120	22	1.60679
121	22	1.06435

122	22	0.365625
123	22	-0.339446
124	22	-1.13481
125	22	-2.0254
126	22	-3.01997
127	22	-4.12119
128	22	-5.30959
129	22	-6.46901
130	22	-7.39104
131	22	-8.05112
132	22	-8.04057
133	22	-7.70293
134	22	-7.11273
135	22	-6.06983
136	22	-4.99405
137	22	-3.96648
138	22	-3.01093
139	22	-2.14539
140	22	-1.36594
141	22	-0.666727
142	22	-0.0421513
143	22	0.512205
144	22	1.00749
145	22	1.45151
146	22	1.84773
147	22	2.20234
148	22	2.51698
149	22	2.79586
150	22	3.04291
151	22	3.26182
152	22	3.45506
153	22	3.62214
154	22	3.76737
155	22	3.89492
156	22	4.00243
157	22	4.09355
158	22	4.16789
159	22	4.23398
160	22	4.27526
161	22	4.32056
162	22	4.35336
163	22	4.3713
164	22	4.36778
165	22	4.36087
166	22	4.3367
167	22	4.32814
168	22	4.32032
169	22	4.30662
170	22	4.29011
171	22	4.26884
172	22	4.24993
173	22	4.22945
174	22	4.20931
175	22	4.18817
176	22	4.16902
177	22	4.15203
178	22	4.13861
179	22	4.1281
180	22	4.11109
-180	23	3.54579
-179	23	3.51537
-178	23	3.49928
-177	23	3.49516
-176	23	3.49394
-175	23	3.49961
-174	23	3.50415
-173	23	3.51903
-172	23	3.53623
-171	23	3.56623
-170	23	3.60264
-169	23	3.63744
-168	23	3.6779
-167	23	3.71884
-166	23	3.76379
-165	23	3.83027
-164	23	3.89708
-163	23	3.94646
-162	23	3.99637
-161	23	4.04395
-160	23	4.09376
-159	23	4.11235
-158	23	4.17019
-157	23	4.2021
-156	23	4.23095
-155	23	4.25311
-154	23	4.26719
-153	23	4.27029
-152	23	4.26341
-151	23	4.24217
-150	23	4.21037
-149	23	4.16387
-148	23	4.10229
-147	23	4.02198
-146	23	3.92264
-145	23	3.80034
-144	23	3.65734
-143	23	3.48265

-142	23	3.28396
-141	23	3.05479
-140	23	2.74833
-139	23	2.37798
-138	23	2.12677
-137	23	1.73351
-136	23	1.283
-135	23	0.760356
-134	23	0.19402
-133	23	-0.518608
-132	23	-1.40887
-131	23	-2.20697
-130	23	-3.14367
-129	23	-4.00568
-128	23	-5.18142
-127	23	-6.69925
-126	23	-8.01945
-125	23	-9.23296
-124	23	-9.86472
-123	23	-9.61756
-122	23	-8.59653
-121	23	-7.2053
-120	23	-5.74321
-119	23	-4.38875
-118	23	-3.18283
-117	23	-2.1221
-116	23	-1.18307
-115	23	-0.348252
-114	23	0.369157
-113	23	0.995167
-112	23	1.53664
-111	23	2.02171
-110	23	2.39116
-109	23	2.70167
-108	23	2.93228
-107	23	3.11189
-106	23	3.16905
-105	23	3.24731
-104	23	3.2601
-103	23	3.21127
-102	23	3.05618
-101	23	2.79157
-100	23	2.44891
-99	23	2.06194
-98	23	1.6205
-97	23	1.07901
-96	23	0.408941
-95	23	-0.381811
-94	23	-1.31676
-93	23	-2.48496
-92	23	-3.97206
-91	23	-5.87222
-90	23	-8.37978
-89	23	-11.9161
-88	23	-17.9611
-87	23	-27.8124
-86	23	-15.4555
-85	23	-10.348
-84	23	-7.47489
-83	23	-5.34083
-82	23	-3.51967
-81	23	-2.05192
-80	23	-0.902015
-79	23	0.0768131
-78	23	0.952366
-77	23	1.57689
-76	23	2.04815
-75	23	2.44855
-74	23	2.84941
-73	23	3.14208
-72	23	3.40386
-71	23	3.57728
-70	23	3.66172
-69	23	3.7162
-68	23	3.61998
-67	23	3.52515
-66	23	3.37758
-65	23	3.07615
-64	23	2.80414
-63	23	2.45304
-62	23	2.02845
-61	23	1.5296
-60	23	0.889045
-59	23	0.214643
-58	23	-0.548621
-57	23	-1.41968
-56	23	-2.41434
-55	23	-3.53736
-54	23	-4.7882
-53	23	-6.13439
-52	23	-7.28251
-51	23	-8.2339
-50	23	-8.52421
-49	23	-8.28027
-48	23	-7.67493
-47	23	-6.50855
-46	23	-5.27923

-45	23	-4.11282
-44	23	-3.05183
-43	23	-2.10194
-42	23	-1.25821
-41	23	-0.511635
-40	23	0.165639
-39	23	0.731449
-38	23	1.2513
-37	23	1.71197
-36	23	2.11893
-35	23	2.4776
-34	23	2.79411
-33	23	3.07334
-32	23	3.31823
-31	23	3.53101
-30	23	3.71427
-29	23	3.8719
-28	23	4.0066
-27	23	4.11983
-26	23	4.21443
-25	23	4.29065
-24	23	4.35157
-23	23	4.39685
-22	23	4.42625
-21	23	4.44545
-20	23	4.45218
-19	23	4.45009
-18	23	4.43989
-17	23	4.42285
-16	23	4.39941
-15	23	4.35591
-14	23	4.30705
-13	23	4.27056
-12	23	4.23281
-11	23	4.19198
-10	23	4.15069
-9	23	4.10641
-8	23	4.06547
-7	23	4.02344
-6	23	3.98918
-5	23	3.95664
-4	23	3.91503
-3	23	3.88491
-2	23	3.86104
-1	23	3.84532
0	23	3.81856
1	23	3.79427
2	23	3.78315
3	23	3.78344
4	23	3.78571
5	23	3.79276
6	23	3.79849
7	23	3.81509
8	23	3.83236
9	23	3.85722
10	23	3.88589
11	23	3.91122
12	23	3.95762
13	23	3.98304
14	23	4.02167
15	23	4.08911
16	23	4.13338
17	23	4.17675
18	23	4.21824
19	23	4.26102
20	23	4.30212
21	23	4.33729
22	23	4.35482
23	23	4.37181
24	23	4.38443
25	23	4.39132
26	23	4.4008
27	23	4.37813
28	23	4.35847
29	23	4.33323
30	23	4.27478
31	23	4.22965
32	23	4.15261
33	23	4.05429
34	23	3.93891
35	23	3.80209
36	23	3.61266
37	23	3.41752
38	23	3.20167
39	23	2.94225
40	23	2.64303
41	23	2.29817
42	23	1.90724
43	23	1.46749
44	23	0.963162
45	23	0.394828
46	23	-0.24567
47	23	-1.04906
48	23	-1.98958
49	23	-2.9387
50	23	-4.00256
51	23	-5.17166

52	23	-6.6257
53	23	-8.11707
54	23	-9.33397
55	23	-10.4675
56	23	-10.3689
57	23	-9.30481
58	23	-7.81154
59	23	-6.25435
60	23	-4.79179
61	23	-3.53844
62	23	-2.45559
63	23	-1.45261
64	23	-0.55033
65	23	0.200766
66	23	0.833524
67	23	1.3976
68	23	1.8892
69	23	2.33678
70	23	2.69574
71	23	2.98637
72	23	3.20039
73	23	3.34132
74	23	3.36473
75	23	3.40033
76	23	3.35827
77	23	3.25787
78	23	3.08718
79	23	2.84221
80	23	2.5203
81	23	2.11471
82	23	1.61627
83	23	1.0107
84	23	0.277108
85	23	-0.603623
86	23	-1.65629
87	23	-2.93178
88	23	-4.51134
89	23	-6.5349
90	23	-9.28553
91	23	-13.4538
92	23	-21.895
93	23	-24.7091
94	23	-14.3508
95	23	-9.75995
96	23	-6.82024
97	23	-4.68222
98	23	-3.02902
99	23	-1.70353
100	23	-0.614945
101	23	0.288814
102	23	1.0463
103	23	1.6801
104	23	2.20936
105	23	2.64929
106	23	3.01297
107	23	3.2321
108	23	3.39264
109	23	3.58734
110	23	3.65551
111	23	3.662
112	23	3.65213
113	23	3.50883
114	23	3.32417
115	23	3.08408
116	23	2.77901
117	23	2.40663
118	23	1.97099
119	23	1.45801
120	23	0.790498
121	23	0.104258
122	23	-0.665289
123	23	-1.55564
124	23	-2.54381
125	23	-3.64629
126	23	-4.85291
127	23	-6.10239
128	23	-7.10219
129	23	-7.83994
130	23	-7.92927
131	23	-7.5769
132	23	-6.963
133	23	-5.88495
134	23	-4.73848
135	23	-3.64073
136	23	-2.65099
137	23	-1.76117
138	23	-0.95659
139	23	-0.246452
140	23	0.383351
141	23	0.939908
142	23	1.43547
143	23	1.87396
144	23	2.26362
145	23	2.60681
146	23	2.90791
147	23	3.17348
148	23	3.40516

149	23	3.60387
150	23	3.77551
151	23	3.91995
152	23	4.04374
153	23	4.14296
154	23	4.22768
155	23	4.28736
156	23	4.34047
157	23	4.36548
158	23	4.39471
159	23	4.40208
160	23	4.38432
161	23	4.37478
162	23	4.35211
163	23	4.32113
164	23	4.28694
165	23	4.23007
166	23	4.16924
167	23	4.12118
168	23	4.07204
169	23	4.01991
170	23	3.96759
171	23	3.91236
172	23	3.86134
173	23	3.80919
174	23	3.76086
175	23	3.71414
176	23	3.67192
177	23	3.63386
178	23	3.60204
179	23	3.57665
180	23	3.54579
-180	24	2.64458
-179	24	2.60356
-178	24	2.58047
-177	24	2.57071
-176	24	2.56893
-175	24	2.57603
-174	24	2.58598
-173	24	2.60995
-172	24	2.63807
-171	24	2.67557
-170	24	2.72827
-169	24	2.78861
-168	24	2.84988
-167	24	2.9162
-166	24	2.99014
-165	24	3.0832
-164	24	3.17958
-163	24	3.26536
-162	24	3.35556
-161	24	3.44649
-160	24	3.53314
-159	24	3.6266
-158	24	3.72045
-157	24	3.79299
-156	24	3.87438
-155	24	3.94983
-154	24	4.01705
-153	24	4.07504
-152	24	4.12529
-151	24	4.1623
-150	24	4.19054
-149	24	4.20461
-148	24	4.20445
-147	24	4.18797
-146	24	4.15351
-145	24	4.10236
-144	24	4.02099
-143	24	3.92471
-142	24	3.80287
-141	24	3.64322
-140	24	3.43144
-139	24	3.2483
-138	24	2.98123
-137	24	2.68428
-136	24	2.40223
-135	24	1.98212
-134	24	1.48204
-133	24	0.968534
-132	24	0.359603
-131	24	-0.318438
-130	24	-1.27334
-129	24	-2.13544
-128	24	-3.10087
-127	24	-4.18834
-126	24	-5.3575
-125	24	-6.72895
-124	24	-8.19543
-123	24	-9.29302
-122	24	-9.71318
-121	24	-9.17463
-120	24	-7.96623
-119	24	-6.51216
-118	24	-5.0584
-117	24	-3.74256
-116	24	-2.5928

-115	24	-1.56867
-114	24	-0.681208
-113	24	0.0901491
-112	24	0.750495
-111	24	1.32578
-110	24	1.84841
-109	24	2.24331
-108	24	2.55397
-107	24	2.80027
-106	24	2.97778
-105	24	3.02409
-104	24	3.06136
-103	24	3.01645
-102	24	2.94548
-101	24	2.77974
-100	24	2.54208
-99	24	2.15106
-98	24	1.67777
-97	24	1.11666
-96	24	0.444174
-95	24	-0.373464
-94	24	-1.36013
-93	24	-2.53481
-92	24	-3.98918
-91	24	-5.90121
-90	24	-8.49057
-89	24	-12.2222
-88	24	-18.8802
-87	24	-26.305
-86	24	-15.297
-85	24	-10.0765
-84	24	-6.79447
-83	24	-4.62271
-82	24	-3.06851
-81	24	-1.7445
-80	24	-0.575488
-79	24	0.368777
-78	24	1.14121
-77	24	1.8304
-76	24	2.39543
-75	24	2.79202
-74	24	3.00927
-73	24	3.25416
-72	24	3.44144
-71	24	3.64062
-70	24	3.67426
-69	24	3.67803
-68	24	3.58659
-67	24	3.39021
-66	24	3.1384
-65	24	2.81574
-64	24	2.43476
-63	24	1.98249
-62	24	1.45067
-61	24	0.767551
-60	24	0.0547358
-59	24	-0.741841
-58	24	-1.76365
-57	24	-2.80821
-56	24	-4.03401
-55	24	-5.38768
-54	24	-6.64781
-53	24	-7.803
-52	24	-8.36629
-51	24	-8.33884
-50	24	-7.83521
-49	24	-6.63321
-48	24	-5.3189
-47	24	-4.06638
-46	24	-2.93114
-45	24	-1.9262
-44	24	-1.03968
-43	24	-0.254005
-42	24	0.435689
-41	24	1.02973
-40	24	1.56287
-39	24	2.02794
-38	24	2.43595
-37	24	2.79151
-36	24	3.10414
-35	24	3.3756
-34	24	3.60853
-33	24	3.80531
-32	24	3.97144
-31	24	4.10967
-30	24	4.22276
-29	24	4.31226
-28	24	4.37952
-27	24	4.42767
-26	24	4.45886
-25	24	4.4745
-24	24	4.4755
-23	24	4.46219
-22	24	4.43507
-21	24	4.3952
-20	24	4.34925
-19	24	4.29325

-18	24	4.23005
-17	24	4.16067
-16	24	4.0868
-15	24	4.00189
-14	24	3.91281
-13	24	3.83107
-12	24	3.74945
-11	24	3.66901
-10	24	3.58999
-9	24	3.51011
-8	24	3.43693
-7	24	3.36198
-6	24	3.29724
-5	24	3.23572
-4	24	3.18044
-3	24	3.13082
-2	24	3.08826
-1	24	3.05446
0	24	3.0191
1	24	2.9863
2	24	2.96985
3	24	2.96555
4	24	2.96852
5	24	2.97892
6	24	2.99025
7	24	3.01378
8	24	3.04221
9	24	3.08343
10	24	3.12802
11	24	3.17789
12	24	3.23215
13	24	3.30421
14	24	3.35632
15	24	3.43949
16	24	3.55199
17	24	3.61106
18	24	3.69778
19	24	3.77882
20	24	3.85683
21	24	3.92999
22	24	4.00351
23	24	4.07427
24	24	4.14619
25	24	4.21208
26	24	4.27335
27	24	4.31518
28	24	4.34198
29	24	4.36048
30	24	4.38034
31	24	4.37867
32	24	4.35939
33	24	4.32489
34	24	4.27383
35	24	4.18093
36	24	4.09738
37	24	3.97669
38	24	3.79966
39	24	3.64286
40	24	3.42823
41	24	3.17721
42	24	2.88675
43	24	2.55045
44	24	2.16735
45	24	1.73783
46	24	1.24429
47	24	0.663569
48	24	-0.0113505
49	24	-0.819582
50	24	-1.84627
51	24	-2.81403
52	24	-3.92929
53	24	-5.16514
54	24	-6.56876
55	24	-8.10495
56	24	-9.51216
57	24	-10.3434
58	24	-10.0236
59	24	-8.81231
60	24	-7.32937
61	24	-5.75594
62	24	-4.24354
63	24	-2.97246
64	24	-1.90427
65	24	-0.976513
66	24	-0.150475
67	24	0.567017
68	24	1.20026
69	24	1.74085
70	24	2.20718
71	24	2.5647
72	24	2.83526
73	24	3.04203
74	24	3.19029
75	24	3.22685
76	24	3.25994
77	24	3.19758
78	24	3.06216

79	24	2.84875
80	24	2.55232
81	24	2.16547
82	24	1.67979
83	24	1.08779
84	24	0.373508
85	24	-0.486808
86	24	-1.52463
87	24	-2.79573
88	24	-4.38668
89	24	-6.44264
90	24	-9.27527
91	24	-13.6745
92	24	-23.2838
93	24	-22.7123
94	24	-13.4712
95	24	-9.13082
96	24	-6.30357
97	24	-4.24011
98	24	-2.64135
99	24	-1.35237
100	24	-0.291348
101	24	0.590061
102	24	1.32559
103	24	1.939
104	24	2.44009
105	24	2.85827
106	24	3.11932
107	24	3.38143
108	24	3.54405
109	24	3.62272
110	24	3.65096
111	24	3.62474
112	24	3.51101
113	24	3.33815
114	24	3.0936
115	24	2.81342
116	24	2.37659
117	24	1.91573
118	24	1.36633
119	24	0.665257
120	24	-0.0778483
121	24	-0.922299
122	24	-1.87842
123	24	-2.95858
124	24	-4.1539
125	24	-5.43601
126	24	-6.55099
127	24	-7.46722
128	24	-7.78332
129	24	-7.60362
130	24	-7.05326
131	24	-5.93401
132	24	-4.73916
133	24	-3.59309
134	24	-2.53071
135	24	-1.58436
136	24	-0.756173
137	24	-0.0187778
138	24	0.64077
139	24	1.21622
140	24	1.72348
141	24	2.16773
142	24	2.55686
143	24	2.89493
144	24	3.19275
145	24	3.44921
146	24	3.66775
147	24	3.8509
148	24	4.00426
149	24	4.12993
150	24	4.2309
151	24	4.3089
152	24	4.36077
153	24	4.39935
154	24	4.41099
155	24	4.42214
156	24	4.41129
157	24	4.3714
158	24	4.33772
159	24	4.28191
160	24	4.22274
161	24	4.15292
162	24	4.07584
163	24	3.99295
164	24	3.90637
165	24	3.80898
166	24	3.70755
167	24	3.6134
168	24	3.51935
169	24	3.42623
170	24	3.33378
171	24	3.24055
172	24	3.15388
173	24	3.06812
174	24	2.98822
175	24	2.91217

176	24	2.84403
177	24	2.78292
178	24	2.73089
179	24	2.68861
180	24	2.64458
-180	25	1.43584
-179	25	1.38594
-178	25	1.35631
-177	25	1.33869
-176	25	1.33396
-175	25	1.33732
-174	25	1.35434
-173	25	1.38535
-172	25	1.42683
-171	25	1.47799
-170	25	1.53644
-169	25	1.61477
-168	25	1.70554
-167	25	1.79602
-166	25	1.89838
-165	25	2.01422
-164	25	2.13831
-163	25	2.264
-162	25	2.39615
-161	25	2.53196
-160	25	2.66397
-159	25	2.79912
-158	25	2.93851
-157	25	3.07928
-156	25	3.21543
-155	25	3.34756
-154	25	3.47445
-153	25	3.59346
-152	25	3.70629
-151	25	3.80721
-150	25	3.89878
-149	25	3.97759
-148	25	4.04404
-147	25	4.09321
-146	25	4.12929
-145	25	4.14029
-144	25	4.13317
-143	25	4.10687
-142	25	4.06813
-141	25	4.01271
-140	25	3.84486
-139	25	3.72846
-138	25	3.55592
-137	25	3.34053
-136	25	3.09246
-135	25	2.79215
-134	25	2.44188
-133	25	2.03801
-132	25	1.5716
-131	25	1.02954
-130	25	0.39265
-129	25	-0.352215
-128	25	-1.33233
-127	25	-2.25316
-126	25	-3.32935
-125	25	-4.4555
-124	25	-5.80166
-123	25	-7.08639
-122	25	-8.57964
-121	25	-9.45206
-120	25	-9.41286
-119	25	-8.44286
-118	25	-7.03118
-117	25	-5.51343
-116	25	-4.13288
-115	25	-2.89625
-114	25	-1.82384
-113	25	-0.888
-112	25	-0.0808277
-111	25	0.60533
-110	25	1.18861
-109	25	1.72064
-108	25	2.13382
-107	25	2.4482
-106	25	2.67864
-105	25	2.84807
-104	25	2.904
-103	25	2.92146
-102	25	2.81963
-101	25	2.65826
-100	25	2.44769
-99	25	2.15321
-98	25	1.73044
-97	25	1.18068
-96	25	0.521092
-95	25	-0.333057
-94	25	-1.29471
-93	25	-2.52991
-92	25	-4.03873
-91	25	-5.97058
-90	25	-8.6261
-89	25	-12.6882

-88	25	-20.4424
-87	25	-24.7204
-86	25	-14.2264
-85	25	-9.49574
-84	25	-6.54459
-83	25	-4.34354
-82	25	-2.6048
-81	25	-1.29101
-80	25	-0.2553
-79	25	0.65096
-78	25	1.4106
-77	25	1.99691
-76	25	2.48315
-75	25	2.91831
-74	25	3.23787
-73	25	3.40364
-72	25	3.52054
-71	25	3.5593
-70	25	3.59581
-69	25	3.54267
-68	25	3.43037
-67	25	3.25367
-66	25	2.9181
-65	25	2.50445
-64	25	2.00528
-63	25	1.42654
-62	25	0.708219
-61	25	-0.0589808
-60	25	-0.944606
-59	25	-1.96269
-58	25	-3.13284
-57	25	-4.44287
-56	25	-5.72168
-55	25	-7.03336
-54	25	-7.96253
-53	25	-8.44931
-52	25	-8.12759
-51	25	-7.05189
-50	25	-5.68624
-49	25	-4.33076
-48	25	-3.09329
-47	25	-1.99783
-46	25	-1.03598
-45	25	-0.192537
-44	25	0.547834
-43	25	1.18134
-42	25	1.7382
-41	25	2.22321
-40	25	2.6445
-39	25	3.00959
-38	25	3.32625
-37	25	3.5939
-36	25	3.81646
-35	25	4.0033
-34	25	4.15489
-33	25	4.27449
-32	25	4.36516
-31	25	4.42876
-30	25	4.46956
-29	25	4.48937
-28	25	4.48894
-27	25	4.47214
-26	25	4.43809
-25	25	4.38993
-24	25	4.32877
-23	25	4.25353
-22	25	4.16449
-21	25	4.06458
-20	25	3.96056
-19	25	3.85078
-18	25	3.73344
-17	25	3.61062
-16	25	3.48734
-15	25	3.36683
-14	25	3.24405
-13	25	3.12007
-12	25	2.9973
-11	25	2.87744
-10	25	2.75763
-9	25	2.64408
-8	25	2.5425
-7	25	2.42033
-6	25	2.31842
-5	25	2.22289
-4	25	2.1364
-3	25	2.05939
-2	25	1.99437
-1	25	1.94325
0	25	1.89559
1	25	1.85549
2	25	1.83624
3	25	1.82775
4	25	1.83011
5	25	1.83748
6	25	1.85742
7	25	1.89017
8	25	1.92908

9	25	1.98183
10	25	2.04732
11	25	2.11801
12	25	2.20118
13	25	2.28657
14	25	2.39482
15	25	2.48245
16	25	2.60301
17	25	2.74456
18	25	2.85337
19	25	2.97403
20	25	3.08525
21	25	3.19963
22	25	3.32249
23	25	3.44834
24	25	3.57632
25	25	3.69673
26	25	3.81174
27	25	3.94125
28	25	4.00044
29	25	4.10118
30	25	4.17833
31	25	4.2409
32	25	4.29236
33	25	4.32652
34	25	4.35688
35	25	4.33097
36	25	4.29682
37	25	4.24625
38	25	4.16745
39	25	4.05518
40	25	3.90395
41	25	3.75733
42	25	3.55351
43	25	3.31389
44	25	3.03632
45	25	2.70469
46	25	2.3076
47	25	1.84292
48	25	1.34941
49	25	0.690186
50	25	0.0187329
51	25	-0.830389
52	25	-1.87961
53	25	-2.87438
54	25	-4.05691
55	25	-5.34243
56	25	-6.82446
57	25	-8.35048
58	25	-9.67909
59	25	-10.3459
60	25	-9.61937
61	25	-8.05536
62	25	-6.42767
63	25	-4.86814
64	25	-3.52361
65	25	-2.32767
66	25	-1.26918
67	25	-0.36025
68	25	0.401953
69	25	1.03763
70	25	1.57383
71	25	2.05689
72	25	2.43278
73	25	2.73021
74	25	2.94051
75	25	3.0777
76	25	3.10012
77	25	3.10437
78	25	3.00306
79	25	2.81775
80	25	2.54852
81	25	2.19114
82	25	1.7362
83	25	1.17201
84	25	0.480474
85	25	-0.365354
86	25	-1.40115
87	25	-2.68185
88	25	-4.3018
89	25	-6.4205
90	25	-9.36885
91	25	-14.0269
92	25	-25.0266
93	25	-21.1179
94	25	-12.7352
95	25	-8.60477
96	25	-5.87723
97	25	-3.86185
98	25	-2.28778
99	25	-1.01943
100	25	0.0206454
101	25	0.87842
102	25	1.58646
103	25	2.16934
104	25	2.63292
105	25	2.98266

106	25	3.27902
107	25	3.4846
108	25	3.61575
109	25	3.66504
110	25	3.64201
111	25	3.50781
112	25	3.37344
113	25	3.12729
114	25	2.80497
115	25	2.40174
116	25	1.91725
117	25	1.39953
118	25	0.613343
119	25	-0.166788
120	25	-1.06784
121	25	-2.08926
122	25	-3.25045
123	25	-4.52825
124	25	-5.7332
125	25	-6.87193
126	25	-7.50214
127	25	-7.62584
128	25	-7.29543
129	25	-6.22601
130	25	-4.98303
131	25	-3.75561
132	25	-2.62889
133	25	-1.62032
134	25	-0.719876
135	25	0.0666724
136	25	0.749816
137	25	1.35641
138	25	1.88742
139	25	2.34211
140	25	2.73942
141	25	3.08784
142	25	3.38771
143	25	3.64029
144	25	3.8502
145	25	4.02388
146	25	4.16618
147	25	4.27693
148	25	4.35807
149	25	4.41498
150	25	4.44149
151	25	4.45431
152	25	4.43469
153	25	4.4147
154	25	4.36256
155	25	4.2955
156	25	4.21989
157	25	4.12925
158	25	4.02531
159	25	3.90922
160	25	3.7884
161	25	3.66131
162	25	3.52551
163	25	3.38482
164	25	3.24242
165	25	3.10287
166	25	2.96036
167	25	2.81665
168	25	2.67487
169	25	2.53693
170	25	2.40153
171	25	2.27151
172	25	2.14882
173	25	2.02383
174	25	1.91155
175	25	1.80663
176	25	1.71198
177	25	1.62664
178	25	1.55302
179	25	1.49256
180	25	1.43584
-180	26	0.0418643
-179	26	-0.0107657
-178	26	-0.0438253
-177	26	-0.0695937
-176	26	-0.0793245
-175	26	-0.080284
-174	26	-0.0642165
-173	26	-0.0329565
-172	26	0.011874
-171	26	0.0702323
-170	26	0.135467
-169	26	0.212053
-168	26	0.312751
-167	26	0.432528
-166	26	0.553917
-165	26	0.681228
-164	26	0.823485
-163	26	0.985358
-162	26	1.15608
-161	26	1.3289
-160	26	1.51217
-159	26	1.70888

-158	26	1.89259
-157	26	2.08485
-156	26	2.27784
-155	26	2.47007
-154	26	2.65888
-153	26	2.84255
-152	26	3.02151
-151	26	3.18935
-150	26	3.35074
-149	26	3.50058
-148	26	3.63604
-147	26	3.76234
-146	26	3.89379
-145	26	3.94244
-144	26	4.01237
-143	26	4.05522
-142	26	4.07618
-141	26	4.07048
-140	26	4.04103
-139	26	3.9775
-138	26	3.87938
-137	26	3.75901
-136	26	3.57833
-135	26	3.37053
-134	26	3.11565
-133	26	2.81082
-132	26	2.44838
-131	26	2.02339
-130	26	1.52801
-129	26	0.947229
-128	26	0.27299
-127	26	-0.59032
-126	26	-1.57561
-125	26	-2.58704
-124	26	-3.76608
-123	26	-5.00208
-122	26	-6.41689
-121	26	-7.75115
-120	26	-9.00002
-119	26	-9.37345
-118	26	-8.69727
-117	26	-7.34758
-116	26	-5.79514
-115	26	-4.37936
-114	26	-3.10399
-113	26	-1.97519
-112	26	-1.00456
-111	26	-0.164259
-110	26	0.549916
-109	26	1.16971
-108	26	1.66299
-107	26	2.07626
-106	26	2.3933
-105	26	2.60312
-104	26	2.73024
-103	26	2.79097
-102	26	2.77594
-101	26	2.64506
-100	26	2.41133
-99	26	2.10555
-98	26	1.71861
-97	26	1.21371
-96	26	0.562404
-95	26	-0.243404
-94	26	-1.2314
-93	26	-2.47165
-92	26	-4.04044
-91	26	-6.0422
-90	26	-8.7472
-89	26	-13.1181
-88	26	-21.7895
-87	26	-23.2361
-86	26	-13.4662
-85	26	-8.98395
-84	26	-6.01749
-83	26	-3.91786
-82	26	-2.36753
-81	26	-1.06404
-80	26	0.0600028
-79	26	0.947683
-78	26	1.65954
-77	26	2.24149
-76	26	2.69757
-75	26	3.01999
-74	26	3.32324
-73	26	3.50558
-72	26	3.59263
-71	26	3.56376
-70	26	3.49562
-69	26	3.36631
-68	26	3.16826
-67	26	2.9036
-66	26	2.56731
-65	26	2.12267
-64	26	1.53985
-63	26	0.773199
-62	26	-0.0687301

-61	26	-0.996171
-60	26	-2.1027
-59	26	-3.33039
-58	26	-4.59731
-57	26	-5.98421
-56	26	-7.13946
-55	26	-7.91395
-54	26	-8.26068
-53	26	-7.47832
-52	26	-6.19741
-51	26	-4.79219
-50	26	-3.46363
-49	26	-2.29436
-48	26	-1.23301
-47	26	-0.306797
-46	26	0.499696
-45	26	1.18074
-44	26	1.77609
-43	26	2.29264
-42	26	2.73905
-41	26	3.12151
-40	26	3.44657
-39	26	3.71924
-38	26	3.94623
-37	26	4.13129
-36	26	4.27935
-35	26	4.39094
-34	26	4.46682
-33	26	4.51521
-32	26	4.53613
-31	26	4.53201
-30	26	4.50404
-29	26	4.45296
-28	26	4.38164
-27	26	4.29222
-26	26	4.18759
-25	26	4.06697
-24	26	3.93389
-23	26	3.79006
-22	26	3.63567
-21	26	3.4751
-20	26	3.30677
-19	26	3.13469
-18	26	2.95638
-17	26	2.77287
-16	26	2.59107
-15	26	2.42417
-14	26	2.26042
-13	26	2.08471
-12	26	1.91183
-11	26	1.74578
-10	26	1.57565
-9	26	1.45155
-8	26	1.29707
-7	26	1.1653
-6	26	1.05423
-5	26	0.933289
-4	26	0.839014
-3	26	0.757079
-2	26	0.685557
-1	26	0.626859
0	26	0.57731
1	26	0.530235
2	26	0.497343
3	26	0.467753
4	26	0.447751
5	26	0.442787
6	26	0.456536
7	26	0.491636
8	26	0.544113
9	26	0.613158
10	26	0.690795
11	26	0.782517
12	26	0.884314
13	26	0.995615
14	26	1.1229
15	26	1.25873
16	26	1.36597
17	26	1.52966
18	26	1.7095
19	26	1.85736
20	26	2.02833
21	26	2.20478
22	26	2.38687
23	26	2.56723
24	26	2.7419
25	26	2.9139
26	26	3.08794
27	26	3.30305
28	26	3.42276
29	26	3.57447
30	26	3.72126
31	26	3.85553
32	26	3.97487
33	26	4.07171
34	26	4.1447
35	26	4.21141

36	26	4.2518
37	26	4.27137
38	26	4.26686
39	26	4.2401
40	26	4.1855
41	26	4.06571
42	26	3.96697
43	26	3.81415
44	26	3.61508
45	26	3.35197
46	26	3.08829
47	26	2.681
48	26	2.30406
49	26	1.83315
50	26	1.30664
51	26	0.671566
52	26	-0.0650135
53	26	-0.98923
54	26	-2.12272
55	26	-3.14836
56	26	-4.38858
57	26	-5.8054
58	26	-7.46819
59	26	-9.02428
60	26	-9.98198
61	26	-9.89201
62	26	-8.68935
63	26	-7.05093
64	26	-5.31444
65	26	-3.8073
66	26	-2.54927
67	26	-1.46364
68	26	-0.545239
69	26	0.241263
70	26	0.931226
71	26	1.52955
72	26	1.99776
73	26	2.37505
74	26	2.65632
75	26	2.84938
76	26	2.95709
77	26	2.97465
78	26	2.91618
79	26	2.77464
80	26	2.54472
81	26	2.22219
82	26	1.79737
83	26	1.25777
84	26	0.58184
85	26	-0.260017
86	26	-1.30363
87	26	-2.6007
88	26	-4.24331
89	26	-6.39354
90	26	-9.39897
91	26	-14.2044
92	26	-26.217
93	26	-20.1365
94	26	-12.2159
95	26	-8.176
96	26	-5.48447
97	26	-3.49801
98	26	-1.95139
99	26	-0.709256
100	26	0.306771
101	26	1.13856
102	26	1.80784
103	26	2.38528
104	26	2.80225
105	26	3.14566
106	26	3.40246
107	26	3.56703
108	26	3.65016
109	26	3.65052
110	26	3.5816
111	26	3.42542
112	26	3.14594
113	26	2.87435
114	26	2.46993
115	26	1.97667
116	26	1.38517
117	26	0.642021
118	26	-0.177237
119	26	-1.05175
120	26	-2.20643
121	26	-3.42887
122	26	-4.6526
123	26	-5.93319
124	26	-6.89336
125	26	-7.44518
126	26	-7.56028
127	26	-6.70701
128	26	-5.475
129	26	-4.17514
130	26	-2.95469
131	26	-1.85162
132	26	-0.876023

133	26	-0.0220751
134	26	0.723902
135	26	1.36865
136	26	1.92908
137	26	2.42205
138	26	2.84359
139	26	3.19972
140	26	3.509
141	26	3.76874
142	26	3.97893
143	26	4.1499
144	26	4.28586
145	26	4.38354
146	26	4.44843
147	26	4.48554
148	26	4.48943
149	26	4.47711
150	26	4.43214
151	26	4.37708
152	26	4.28438
153	26	4.18888
154	26	4.07015
155	26	3.93903
156	26	3.79311
157	26	3.63567
158	26	3.46552
159	26	3.28662
160	26	3.09964
161	26	2.90829
162	26	2.71286
163	26	2.51182
164	26	2.31268
165	26	2.12917
166	26	1.95012
167	26	1.75924
168	26	1.57153
169	26	1.39186
170	26	1.21954
171	26	1.05782
172	26	0.898966
173	26	0.750503
174	26	0.611617
175	26	0.484831
176	26	0.371343
177	26	0.269894
178	26	0.17988
179	26	0.104634
180	26	0.0418643
-180	27	-1.19705
-179	27	-1.23361
-178	27	-1.26027
-177	27	-1.28605
-176	27	-1.29855
-175	27	-1.30652
-174	27	-1.29919
-173	27	-1.28392
-172	27	-1.25301
-171	27	-1.21506
-170	27	-1.16792
-169	27	-1.10626
-168	27	-1.03806
-167	27	-0.933173
-166	27	-0.815168
-165	27	-0.713796
-164	27	-0.588603
-163	27	-0.420686
-162	27	-0.243787
-161	27	-0.047125
-160	27	0.165306
-159	27	0.373306
-158	27	0.611602
-157	27	0.862497
-156	27	1.10431
-155	27	1.35107
-154	27	1.60113
-153	27	1.85068
-152	27	2.09417
-151	27	2.34474
-150	27	2.58109
-149	27	2.78376
-148	27	2.99568
-147	27	3.18707
-146	27	3.37014
-145	27	3.53241
-144	27	3.6743
-143	27	3.79485
-142	27	3.89547
-141	27	3.969
-140	27	4.01716
-139	27	4.02026
-138	27	4.00094
-137	27	3.94807
-136	27	3.86862
-135	27	3.72908
-134	27	3.5569
-133	27	3.34193
-132	27	3.07627

-131	27	2.75648
-130	27	2.36893
-129	27	1.90977
-128	27	1.37268
-127	27	0.739466
-126	27	-0.00779402
-125	27	-1.07143
-124	27	-1.90963
-123	27	-3.19817
-122	27	-4.41816
-121	27	-5.77796
-120	27	-7.22799
-119	27	-8.42484
-118	27	-9.15913
-117	27	-8.71373
-116	27	-7.46198
-115	27	-5.87174
-114	27	-4.42427
-113	27	-3.14725
-112	27	-1.98947
-111	27	-1.01023
-110	27	-0.17035
-109	27	0.545486
-108	27	1.17075
-107	27	1.64564
-106	27	2.03566
-105	27	2.35409
-104	27	2.56862
-103	27	2.66499
-102	27	2.67296
-101	27	2.60791
-100	27	2.44511
-99	27	2.15528
-98	27	1.75359
-97	27	1.25639
-96	27	0.630589
-95	27	-0.161933
-94	27	-1.1501
-93	27	-2.37954
-92	27	-3.94355
-91	27	-6.01498
-90	27	-8.86986
-89	27	-13.2482
-88	27	-23.0054
-87	27	-22.0586
-86	27	-12.8356
-85	27	-8.48066
-84	27	-5.58491
-83	27	-3.5824
-82	27	-1.95244
-81	27	-0.72835
-80	27	0.231126
-79	27	1.09757
-78	27	1.85074
-77	27	2.4396
-76	27	2.88604
-75	27	3.28062
-74	27	3.43762
-73	27	3.57411
-72	27	3.6317
-71	27	3.6079
-70	27	3.46694
-69	27	3.24139
-68	27	2.94967
-67	27	2.55918
-66	27	2.07168
-65	27	1.51691
-64	27	0.838874
-63	27	0.0429916
-62	27	-0.941195
-61	27	-2.10769
-60	27	-3.44116
-59	27	-4.76879
-58	27	-6.08636
-57	27	-7.19912
-56	27	-8.16245
-55	27	-7.9796
-54	27	-6.96224
-53	27	-5.54872
-52	27	-4.08063
-51	27	-2.77785
-50	27	-1.62047
-49	27	-0.619674
-48	27	0.267451
-47	27	1.02291
-46	27	1.68013
-45	27	2.24306
-44	27	2.74426
-43	27	3.15274
-42	27	3.50067
-41	27	3.79184
-40	27	4.02907
-39	27	4.22045
-38	27	4.36753
-37	27	4.47244
-36	27	4.53975
-35	27	4.57316

-34	27	4.57637
-33	27	4.54909
-32	27	4.49605
-31	27	4.41818
-30	27	4.31682
-29	27	4.196
-28	27	4.05433
-27	27	3.8953
-26	27	3.71879
-25	27	3.52663
-24	27	3.32106
-23	27	3.10325
-22	27	2.87553
-21	27	2.64266
-20	27	2.40673
-19	27	2.16611
-18	27	1.92753
-17	27	1.69041
-16	27	1.45666
-15	27	1.25121
-14	27	1.05254
-13	27	0.838283
-12	27	0.62948
-11	27	0.400535
-10	27	0.258265
-9	27	0.0866146
-8	27	-0.0743673
-7	27	-0.224082
-6	27	-0.355939
-5	27	-0.475142
-4	27	-0.580354
-3	27	-0.676465
-2	27	-0.749267
-1	27	-0.81795
0	27	-0.86471
1	27	-0.901166
2	27	-0.925472
3	27	-0.946757
4	27	-0.949798
5	27	-0.939678
6	27	-0.906701
7	27	-0.86474
8	27	-0.807695
9	27	-0.748573
10	27	-0.692707
11	27	-0.630637
12	27	-0.554319
13	27	-0.451412
14	27	-0.329324
15	27	-0.19146
16	27	-0.0540784
17	27	0.085198
18	27	0.275967
19	27	0.497205
20	27	0.711143
21	27	0.94795
22	27	1.18789
23	27	1.42042
24	27	1.64786
25	27	1.88098
26	27	2.1124
27	27	2.39304
28	27	2.56788
29	27	2.78601
30	27	3.00399
31	27	3.20855
32	27	3.39333
33	27	3.56329
34	27	3.72971
35	27	3.86973
36	27	3.98275
37	27	4.08023
38	27	4.15568
39	27	4.20045
40	27	4.21708
41	27	4.21406
42	27	4.15966
43	27	4.07592
44	27	3.96653
45	27	3.76225
46	27	3.57759
47	27	3.32262
48	27	3.03062
49	27	2.672
50	27	2.23432
51	27	1.73831
52	27	1.15843
53	27	0.474645
54	27	-0.293839
55	27	-1.39225
56	27	-2.45529
57	27	-3.80384
58	27	-5.10975
59	27	-6.59868
60	27	-8.19738
61	27	-9.58907
62	27	-9.90619

63	27	-8.84064
64	27	-7.19898
65	27	-5.48399
66	27	-3.98917
67	27	-2.671
68	27	-1.52314
69	27	-0.565079
70	27	0.252585
71	27	0.94119
72	27	1.52909
73	27	1.983
74	27	2.33648
75	27	2.58625
76	27	2.75715
77	27	2.84113
78	27	2.83959
79	27	2.74531
80	27	2.55832
81	27	2.2729
82	27	1.8724
83	27	1.34412
84	27	0.674708
85	27	-0.159786
86	27	-1.19644
87	27	-2.49098
88	27	-4.12989
89	27	-6.27712
90	27	-9.29777
91	27	-14.1801
92	27	-26.4517
93	27	-19.1769
94	27	-11.6795
95	27	-7.75398
96	27	-5.10966
97	27	-3.11562
98	27	-1.64742
99	27	-0.423566
100	27	0.562124
101	27	1.36837
102	27	2.01705
103	27	2.5507
104	27	2.97663
105	27	3.28116
106	27	3.49523
107	27	3.61955
108	27	3.65942
109	27	3.61667
110	27	3.48552
111	27	3.26947
112	27	2.9663
113	27	2.52978
114	27	2.08054
115	27	1.48147
116	27	0.737328
117	27	-0.0991629
118	27	-1.07606
119	27	-2.20262
120	27	-3.47914
121	27	-4.67161
122	27	-5.92496
123	27	-6.87274
124	27	-7.57477
125	27	-7.22276
126	27	-6.18172
127	27	-4.86145
128	27	-3.53675
129	27	-2.31415
130	27	-1.23382
131	27	-0.289513
132	27	0.535372
133	27	1.2477
134	27	1.86543
135	27	2.39684
136	27	2.85431
137	27	3.24595
138	27	3.56955
139	27	3.83795
140	27	4.06397
141	27	4.2389
142	27	4.36833
143	27	4.46219
144	27	4.52003
145	27	4.54061
146	27	4.53129
147	27	4.49477
148	27	4.42294
149	27	4.34124
150	27	4.21565
151	27	4.08633
152	27	3.92758
153	27	3.75454
154	27	3.56463
155	27	3.36037
156	27	3.14375
157	27	2.91546
158	27	2.67564
159	27	2.43013

160	27	2.18001
161	27	1.92474
162	27	1.67034
163	27	1.41718
164	27	1.16876
165	27	0.953228
166	27	0.748246
167	27	0.526518
168	27	0.311009
169	27	0.11009
170	27	-0.0770033
171	27	-0.244609
172	27	-0.40782
173	27	-0.557354
174	27	-0.688106
175	27	-0.805808
176	27	-0.909872
177	27	-1.00064
178	27	-1.08159
179	27	-1.1496
180	27	-1.19705
-180	28	-1.66268
-179	28	-1.66135
-178	28	-1.66979
-177	28	-1.6863
-176	28	-1.6988
-175	28	-1.71336
-174	28	-1.72575
-173	28	-1.74418
-172	28	-1.75502
-171	28	-1.76649
-170	28	-1.78035
-169	28	-1.78068
-168	28	-1.77404
-167	28	-1.76469
-166	28	-1.71899
-165	28	-1.6963
-164	28	-1.65698
-163	28	-1.56173
-162	28	-1.44171
-161	28	-1.29247
-160	28	-1.11943
-159	28	-0.916129
-158	28	-0.699011
-157	28	-0.455661
-156	28	-0.196404
-155	28	0.056666
-154	28	0.3877
-153	28	0.660499
-152	28	0.963939
-151	28	1.26528
-150	28	1.56465
-149	28	1.8539
-148	28	2.13391
-147	28	2.40995
-146	28	2.66411
-145	28	2.909
-144	28	3.1276
-143	28	3.33333
-142	28	3.50629
-141	28	3.68727
-140	28	3.79045
-139	28	3.87544
-138	28	3.93315
-137	28	3.95777
-136	28	3.95003
-135	28	3.8985
-134	28	3.80927
-133	28	3.67564
-132	28	3.49343
-131	28	3.25762
-130	28	2.96407
-129	28	2.60806
-128	28	2.18314
-127	28	1.67882
-126	28	1.08436
-125	28	0.377931
-124	28	-0.513731
-123	28	-1.70485
-122	28	-2.56456
-121	28	-3.87283
-120	28	-5.22324
-119	28	-6.65735
-118	28	-8.08143
-117	28	-8.70211
-116	28	-8.58104
-115	28	-7.39957
-114	28	-5.82253
-113	28	-4.35022
-112	28	-3.01739
-111	28	-1.87063
-110	28	-0.886993
-109	28	-0.0624835
-108	28	0.635745
-107	28	1.24883
-106	28	1.70912
-105	28	2.04252

-104	28	2.29746
-103	28	2.49162
-102	28	2.58165
-101	28	2.56
-100	28	2.43112
-99	28	2.20959
-98	28	1.86091
-97	28	1.36623
-96	28	0.73538
-95	28	-0.0427447
-94	28	-1.0219
-93	28	-2.25233
-92	28	-3.80434
-91	28	-5.85373
-90	28	-8.73049
-89	28	-13.2739
-88	28	-23.4266
-87	28	-20.9095
-86	28	-12.3014
-85	28	-8.08448
-84	28	-5.3228
-83	28	-3.27297
-82	28	-1.69494
-81	28	-0.444241
-80	28	0.569073
-79	28	1.3499
-78	28	1.98316
-77	28	2.55347
-76	28	3.06379
-75	28	3.32906
-74	28	3.53758
-73	28	3.64111
-72	28	3.61946
-71	28	3.49903
-70	28	3.31649
-69	28	3.03969
-68	28	2.67133
-67	28	2.23474
-66	28	1.68284
-65	28	0.940875
-64	28	0.0897918
-63	28	-0.853395
-62	28	-1.94272
-61	28	-3.17904
-60	28	-4.66146
-59	28	-6.1011
-58	28	-7.33379
-57	28	-8.06202
-56	28	-7.6185
-55	28	-6.42874
-54	28	-4.97469
-53	28	-3.53961
-52	28	-2.23469
-51	28	-1.09625
-50	28	-0.112009
-49	28	0.734492
-48	28	1.45602
-47	28	2.07878
-46	28	2.61156
-45	28	3.07212
-44	28	3.46096
-43	28	3.78075
-42	28	4.04266
-41	28	4.24728
-40	28	4.44368
-39	28	4.52056
-38	28	4.59321
-37	28	4.62297
-36	28	4.61687
-35	28	4.57502
-34	28	4.50057
-33	28	4.39661
-32	28	4.26454
-31	28	4.10994
-30	28	3.92996
-29	28	3.7293
-28	28	3.50827
-27	28	3.27152
-26	28	3.01719
-25	28	2.74892
-24	28	2.4733
-23	28	2.19007
-22	28	1.89799
-21	28	1.60227
-20	28	1.29968
-19	28	0.998442
-18	28	0.701581
-17	28	0.41891
-16	28	0.158791
-15	28	-0.0518616
-14	28	-0.241909
-13	28	-0.452659
-12	28	-0.703406
-11	28	-0.832255
-10	28	-1.00116
-9	28	-1.13053
-8	28	-1.25068

-7	28	-1.3599
-6	28	-1.44125
-5	28	-1.51007
-4	28	-1.56845
-3	28	-1.6155
-2	28	-1.65792
-1	28	-1.69088
0	28	-1.70076
1	28	-1.70545
2	28	-1.71392
3	28	-1.72815
4	28	-1.73659
5	28	-1.74447
6	28	-1.74431
7	28	-1.74476
8	28	-1.73776
9	28	-1.73297
10	28	-1.72757
11	28	-1.70349
12	28	-1.66175
13	28	-1.59694
14	28	-1.51284
15	28	-1.4449
16	28	-1.34025
17	28	-1.23327
18	28	-1.09037
19	28	-0.898977
20	28	-0.67184
21	28	-0.446679
22	28	-0.20445
23	28	0.0567858
24	28	0.334656
25	28	0.619579
26	28	0.921581
27	28	1.21722
28	28	1.50789
29	28	1.7923
30	28	2.07326
31	28	2.3377
32	28	2.59995
33	28	2.85397
34	28	3.09542
35	28	3.29967
36	28	3.49365
37	28	3.66728
38	28	3.81264
39	28	3.94104
40	28	4.04697
41	28	4.10758
42	28	4.12545
43	28	4.0966
44	28	4.08037
45	28	4.00662
46	28	3.89413
47	28	3.73609
48	28	3.51018
49	28	3.24123
50	28	2.92297
51	28	2.52757
52	28	2.08038
53	28	1.56833
54	28	0.909744
55	28	0.111645
56	28	-0.831979
57	28	-2.07686
58	28	-3.12891
59	28	-4.50797
60	28	-6.04263
61	28	-7.59167
62	28	-8.93559
63	28	-9.4387
64	28	-8.70757
65	28	-7.18768
66	28	-5.44446
67	28	-3.91871
68	28	-2.58179
69	28	-1.43428
70	28	-0.470171
71	28	0.307897
72	28	0.991637
73	28	1.5581
74	28	1.99784
75	28	2.33601
76	28	2.57804
77	28	2.72511
78	28	2.77793
79	28	2.74251
80	28	2.58557
81	28	2.31984
82	28	1.93684
83	28	1.42872
84	28	0.780138
85	28	-0.0350847
86	28	-1.05121
87	28	-2.32528
88	28	-3.95532
89	28	-6.11352

90	28	-9.14851
91	28	-14.0219
92	28	-25.5294
93	28	-18.3055
94	28	-11.215
95	28	-7.38406
96	28	-4.79794
97	28	-2.88008
98	28	-1.38455
99	28	-0.188389
100	28	0.779993
101	28	1.56636
102	28	2.21205
103	28	2.70536
104	28	3.10035
105	28	3.37962
106	28	3.55869
107	28	3.64463
108	28	3.64098
109	28	3.54374
110	28	3.35636
111	28	3.07483
112	28	2.69618
113	28	2.2157
114	28	1.58362
115	28	0.89454
116	28	0.0516366
117	28	-0.936634
118	28	-2.08273
119	28	-3.30475
120	28	-4.67731
121	28	-5.90833
122	28	-6.8549
123	28	-7.44261
124	28	-6.89695
125	28	-5.74361
126	28	-4.37255
127	28	-3.03511
128	28	-1.82328
129	28	-0.754507
130	28	0.175249
131	28	0.981595
132	28	1.67324
133	28	2.26319
134	28	2.76993
135	28	3.19825
136	28	3.55818
137	28	3.85585
138	28	4.0939
139	28	4.28484
140	28	4.42702
141	28	4.51709
142	28	4.56994
143	28	4.58831
144	28	4.56969
145	28	4.51341
146	28	4.42279
147	28	4.31742
148	28	4.16879
149	28	4.00313
150	28	3.80797
151	28	3.59516
152	28	3.36149
153	28	3.11424
154	28	2.84896
155	28	2.57029
156	28	2.28244
157	28	1.98646
158	28	1.68209
159	28	1.37814
160	28	1.07302
161	28	0.775044
162	28	0.483838
163	28	0.204758
164	28	-0.056513
165	28	-0.291407
166	28	-0.460168
167	28	-0.662392
168	28	-0.847019
169	28	-1.00803
170	28	-1.14453
171	28	-1.25116
172	28	-1.34865
173	28	-1.43496
174	28	-1.49323
175	28	-1.54301
176	28	-1.58229
177	28	-1.61116
178	28	-1.63849
179	28	-1.66121
180	28	-1.66268
-180	29	-1.0363
-179	29	-1.00096
-178	29	-0.989529
-177	29	-0.992233
-176	29	-1.0028
-175	29	-1.0256

-174	29	-1.05562
-173	29	-1.10433
-172	29	-1.15831
-171	29	-1.22193
-170	29	-1.29825
-169	29	-1.37689
-168	29	-1.45669
-167	29	-1.53997
-166	29	-1.62977
-165	29	-1.71388
-164	29	-1.80123
-163	29	-1.84812
-162	29	-1.87449
-161	29	-1.8747
-160	29	-1.84529
-159	29	-1.77528
-158	29	-1.75743
-157	29	-1.52214
-156	29	-1.34256
-155	29	-1.12109
-154	29	-0.86527
-153	29	-0.578826
-152	29	-0.268445
-151	29	0.0603025
-150	29	0.401218
-149	29	0.746775
-148	29	1.0932
-147	29	1.43505
-146	29	1.76826
-145	29	2.08889
-144	29	2.39472
-143	29	2.67513
-142	29	2.93423
-141	29	3.22493
-140	29	3.37329
-139	29	3.54613
-138	29	3.68804
-137	29	3.79709
-136	29	3.86875
-135	29	3.9067
-134	29	3.88993
-133	29	3.84011
-132	29	3.73941
-131	29	3.58689
-130	29	3.37872
-129	29	3.10856
-128	29	2.77306
-127	29	2.36865
-126	29	1.88514
-125	29	1.30972
-124	29	0.622539
-123	29	-0.202019
-122	29	-1.43044
-121	29	-2.31977
-120	29	-3.52288
-119	29	-4.92349
-118	29	-6.3375
-117	29	-7.56557
-116	29	-8.38102
-115	29	-8.10564
-114	29	-7.08163
-113	29	-5.57918
-112	29	-4.13192
-111	29	-2.80336
-110	29	-1.67076
-109	29	-0.696689
-108	29	0.121831
-107	29	0.812551
-106	29	1.37622
-105	29	1.84012
-104	29	2.16432
-103	29	2.35082
-102	29	2.44856
-101	29	2.49091
-100	29	2.41131
-99	29	2.21216
-98	29	1.91156
-97	29	1.48619
-96	29	0.899553
-95	29	0.134868
-94	29	-0.829169
-93	29	-2.04662
-92	29	-3.60512
-91	29	-5.63756
-90	29	-8.45536
-89	29	-12.9065
-88	29	-22.1816
-87	29	-19.8658
-86	29	-11.8975
-85	29	-7.7519
-84	29	-4.99742
-83	29	-3.00004
-82	29	-1.45627
-81	29	-0.206822
-80	29	0.777321
-79	29	1.57497
-78	29	2.19834

-77	29	2.70281
-76	29	3.02648
-75	29	3.30737
-74	29	3.48569
-73	29	3.55177
-72	29	3.53559
-71	29	3.42934
-70	29	3.18937
-69	29	2.84147
-68	29	2.38905
-67	29	1.81698
-66	29	1.14857
-65	29	0.387094
-64	29	-0.587418
-63	29	-1.80401
-62	29	-3.07536
-61	29	-4.35503
-60	29	-5.69126
-59	29	-7.0855
-58	29	-7.80126
-57	29	-7.39685
-56	29	-6.09953
-55	29	-4.53833
-54	29	-3.08109
-53	29	-1.80863
-52	29	-0.717885
-51	29	0.268426
-50	29	1.10083
-49	29	1.80853
-48	29	2.41069
-47	29	2.92031
-46	29	3.34626
-45	29	3.69883
-44	29	3.99046
-43	29	4.22428
-42	29	4.40454
-41	29	4.53242
-40	29	4.61137
-39	29	4.64728
-38	29	4.63727
-37	29	4.6005
-36	29	4.51378
-35	29	4.38561
-34	29	4.23347
-33	29	4.04906
-32	29	3.83739
-31	29	3.60114
-30	29	3.34055
-29	29	3.05956
-28	29	2.75773
-27	29	2.44255
-26	29	2.11468
-25	29	1.77586
-24	29	1.42984
-23	29	1.08169
-22	29	0.735102
-21	29	0.394069
-20	29	0.0687011
-19	29	-0.239657
-18	29	-0.522003
-17	29	-0.786246
-16	29	-1.03118
-15	29	-1.22006
-14	29	-1.36976
-13	29	-1.5345
-12	29	-1.56349
-11	29	-1.62532
-10	29	-1.66149
-9	29	-1.67907
-8	29	-1.6931
-7	29	-1.69457
-6	29	-1.67054
-5	29	-1.64714
-4	29	-1.61812
-3	29	-1.58504
-2	29	-1.55698
-1	29	-1.53561
0	29	-1.49955
1	29	-1.47005
2	29	-1.46515
3	29	-1.47061
4	29	-1.48095
5	29	-1.49752
6	29	-1.52409
7	29	-1.56549
8	29	-1.60682
9	29	-1.65618
10	29	-1.7141
11	29	-1.76385
12	29	-1.80592
13	29	-1.84185
14	29	-1.87688
15	29	-1.92668
16	29	-1.95031
17	29	-1.91077
18	29	-1.87002
19	29	-1.77927

20	29	-1.70585
21	29	-1.56643
22	29	-1.40992
23	29	-1.20806
24	29	-0.991943
25	29	-0.725993
26	29	-0.40639
27	29	-0.0847184
28	29	0.256146
29	29	0.580053
30	29	0.918875
31	29	1.2721
32	29	1.62223
33	29	1.94439
34	29	2.25512
35	29	2.56694
36	29	2.8434
37	29	3.09858
38	29	3.33517
39	29	3.54102
40	29	3.67478
41	29	3.80325
42	29	3.92664
43	29	3.99805
44	29	4.02998
45	29	4.03712
46	29	3.99498
47	29	3.90788
48	29	3.79429
49	29	3.61609
50	29	3.38011
51	29	3.11234
52	29	2.75978
53	29	2.30527
54	29	1.79751
55	29	1.20298
56	29	0.461724
57	29	-0.442118
58	29	-1.77999
59	29	-2.78012
60	29	-4.16708
61	29	-5.64252
62	29	-7.16336
63	29	-8.43017
64	29	-8.96172
65	29	-8.27243
66	29	-6.80623
67	29	-5.11883
68	29	-3.63431
69	29	-2.34193
70	29	-1.24407
71	29	-0.309792
72	29	0.471481
73	29	1.14455
74	29	1.67987
75	29	2.10119
76	29	2.41281
77	29	2.61334
78	29	2.70744
79	29	2.71108
80	29	2.59341
81	29	2.35999
82	29	2.01121
83	29	1.53486
84	29	0.913389
85	29	0.126258
86	29	-0.855217
87	29	-2.13944
88	29	-3.73608
89	29	-5.87135
90	29	-8.88338
91	29	-13.6687
92	29	-23.1593
93	29	-17.5397
94	29	-10.887
95	29	-7.11994
96	29	-4.5553
97	29	-2.64961
98	29	-1.16751
99	29	0.0126671
100	29	0.963561
101	29	1.75273
102	29	2.37016
103	29	2.84219
104	29	3.2021
105	29	3.45004
106	29	3.59476
107	29	3.63885
108	29	3.58514
109	29	3.43297
110	29	3.18201
111	29	2.83119
112	29	2.37204
113	29	1.79846
114	29	1.09549
115	29	0.222851
116	29	-0.717904

117	29	-1.86894
118	29	-3.09291
119	29	-4.37836
120	29	-5.65009
121	29	-6.81564
122	29	-7.195
123	29	-6.62283
124	29	-5.38931
125	29	-4.02419
126	29	-2.66542
127	29	-1.45222
128	29	-0.389213
129	29	0.531496
130	29	1.32306
131	29	1.99705
132	29	2.57213
133	29	3.06024
134	29	3.46913
135	29	3.80311
136	29	4.07426
137	29	4.28614
138	29	4.44193
139	29	4.55071
140	29	4.60967
141	29	4.62292
142	29	4.59974
143	29	4.53462
144	29	4.43553
145	29	4.30539
146	29	4.14776
147	29	3.9421
148	29	3.71826
149	29	3.46919
150	29	3.19635
151	29	2.90413
152	29	2.59082
153	29	2.26629
154	29	1.9289
155	29	1.58238
156	29	1.23151
157	29	0.882039
158	29	0.539359
159	29	0.207595
160	29	-0.104676
161	29	-0.395746
162	29	-0.655035
163	29	-0.884899
164	29	-1.07692
165	29	-1.20455
166	29	-1.29723
167	29	-1.38374
168	29	-1.43632
169	29	-1.46235
170	29	-1.46272
171	29	-1.43781
172	29	-1.40862
173	29	-1.37121
174	29	-1.31546
175	29	-1.2638
176	29	-1.21265
177	29	-1.16034
178	29	-1.11697
179	29	-1.08062
180	29	-1.0363
-180	30	0.230328
-179	30	0.273213
-178	30	0.291089
-177	30	0.296519
-176	30	0.28755
-175	30	0.262324
-174	30	0.223372
-173	30	0.164953
-172	30	0.0938121
-171	30	0.00751048
-170	30	-0.092159
-169	30	-0.206912
-168	30	-0.335554
-167	30	-0.471684
-166	30	-0.625184
-165	30	-0.795197
-164	30	-0.958391
-163	30	-1.12267
-162	30	-1.31744
-161	30	-1.47482
-160	30	-1.60739
-159	30	-1.72022
-158	30	-1.80866
-157	30	-1.83725
-156	30	-1.86366
-155	30	-1.82121
-154	30	-1.71973
-153	30	-1.55696
-152	30	-1.34285
-151	30	-1.07027
-150	30	-0.757928
-149	30	-0.416689
-148	30	0.00230477

-147	30	0.332358
-146	30	0.733237
-145	30	1.11473
-144	30	1.49899
-143	30	1.85698
-142	30	2.19853
-141	30	2.59461
-140	30	2.80187
-139	30	3.06232
-138	30	3.28965
-137	30	3.48011
-136	30	3.6348
-135	30	3.75179
-134	30	4.02099
-133	30	3.85815
-132	30	3.83849
-131	30	3.76705
-130	30	3.63985
-129	30	3.4543
-128	30	3.20584
-127	30	2.88929
-126	30	2.49546
-125	30	2.01822
-124	30	1.44611
-123	30	0.761871
-122	30	-0.0588111
-121	30	-1.20405
-120	30	-2.28463
-119	30	-3.35117
-118	30	-4.56337
-117	30	-5.91309
-116	30	-7.11425
-115	30	-7.84594
-114	30	-7.5417
-113	30	-6.50257
-112	30	-5.09244
-111	30	-3.69938
-110	30	-2.43196
-109	30	-1.33294
-108	30	-0.401953
-107	30	0.385565
-106	30	1.03277
-105	30	1.52676
-104	30	1.9329
-103	30	2.26028
-102	30	2.44929
-101	30	2.4933
-100	30	2.44564
-99	30	2.29119
-98	30	1.99386
-97	30	1.57265
-96	30	1.02933
-95	30	0.317271
-94	30	-0.613113
-93	30	-1.79579
-92	30	-3.31941
-91	30	-5.33551
-90	30	-8.13272
-89	30	-12.3746
-88	30	-20.0023
-87	30	-18.6075
-86	30	-11.5281
-85	30	-7.51929
-84	30	-4.82078
-83	30	-2.84238
-82	30	-1.3133
-81	30	-0.104612
-80	30	0.91523
-79	30	1.70586
-78	30	2.34592
-77	30	2.75359
-76	30	3.1181
-75	30	3.34796
-74	30	3.47105
-73	30	3.51699
-72	30	3.43327
-71	30	3.22942
-70	30	2.95226
-69	30	2.55362
-68	30	2.02878
-67	30	1.35468
-66	30	0.534841
-65	30	-0.431377
-64	30	-1.50334
-63	30	-2.67811
-62	30	-4.1094
-61	30	-5.63609
-60	30	-6.99703
-59	30	-7.53797
-58	30	-7.07689
-57	30	-5.86019
-56	30	-4.36783
-55	30	-2.89066
-54	30	-1.5781
-53	30	-0.394593
-52	30	0.567746
-51	30	1.37699

-50	30	2.06352
-49	30	2.65054
-48	30	3.14788
-47	30	3.5618
-46	30	3.8958
-45	30	4.15817
-44	30	4.35616
-43	30	4.49664
-42	30	4.58918
-41	30	4.63401
-40	30	4.63142
-39	30	4.58671
-38	30	4.50083
-37	30	4.37526
-36	30	4.21284
-35	30	4.01358
-34	30	3.7817
-33	30	3.56528
-32	30	3.22651
-31	30	2.90316
-30	30	2.55359
-29	30	2.18542
-28	30	1.80207
-27	30	1.40691
-26	30	1.00736
-25	30	0.610115
-24	30	0.221816
-23	30	-0.151619
-22	30	-0.500418
-21	30	-0.811923
-20	30	-1.08516
-19	30	-1.31567
-18	30	-1.49298
-17	30	-1.61719
-16	30	-1.69366
-15	30	-1.70865
-14	30	-1.69531
-13	30	-1.64977
-12	30	-1.60371
-11	30	-1.51969
-10	30	-1.39295
-9	30	-1.24662
-8	30	-1.11368
-7	30	-1.00217
-6	30	-0.887739
-5	30	-0.779292
-4	30	-0.681666
-3	30	-0.593016
-2	30	-0.514417
-1	30	-0.448783
0	30	-0.390253
1	30	-0.346802
2	30	-0.328402
3	30	-0.32906
4	30	-0.33649
5	30	-0.360812
6	30	-0.399235
7	30	-0.458588
8	30	-0.526151
9	30	-0.603005
10	30	-0.691299
11	30	-0.796471
12	30	-0.913408
13	30	-1.03323
14	30	-1.15568
15	30	-1.3015
16	30	-1.45882
17	30	-1.60711
18	30	-1.7769
19	30	-1.86226
20	30	-1.94521
21	30	-1.98053
22	30	-1.95902
23	30	-1.92204
24	30	-1.85059
25	30	-1.72762
26	30	-1.46199
27	30	-1.29219
28	30	-1.02366
29	30	-0.660644
30	30	-0.282147
31	30	0.106024
32	30	0.485726
33	30	0.867253
34	30	1.26056
35	30	1.60529
36	30	1.96945
37	30	2.32976
38	30	2.59714
39	30	2.87172
40	30	3.14985
41	30	3.38062
42	30	3.56888
43	30	3.73398
44	30	3.85414
45	30	3.91927
46	30	3.9793

47	30	3.99543
48	30	3.93436
49	30	3.84738
50	30	3.71694
51	30	3.50124
52	30	3.23438
53	30	2.91208
54	30	2.48987
55	30	1.96781
56	30	1.34197
57	30	0.607371
58	30	-0.269628
59	30	-1.49666
60	30	-2.68474
61	30	-3.87456
62	30	-5.30906
63	30	-6.73861
64	30	-7.86306
65	30	-8.263
66	30	-7.58141
67	30	-6.17715
68	30	-4.67306
69	30	-3.26767
70	30	-2.02265
71	30	-0.947249
72	30	-0.0286075
73	30	0.7349
74	30	1.37041
75	30	1.8537
76	30	2.22768
77	30	2.48304
78	30	2.62338
79	30	2.65442
80	30	2.59268
81	30	2.42681
82	30	2.13198
83	30	1.67366
84	30	1.0919
85	30	0.327978
86	30	-0.646865
87	30	-1.87907
88	30	-3.45766
89	30	-5.54483
90	30	-8.46296
91	30	-12.9786
92	30	-20.7316
93	30	-16.9459
94	30	-10.6617
95	30	-6.93659
96	30	-4.38447
97	30	-2.48554
98	30	-1.0082
99	30	0.165992
100	30	1.14405
101	30	1.89761
102	30	2.48348
103	30	2.94056
104	30	3.27041
105	30	3.48488
106	30	3.59119
107	30	3.59154
108	30	3.48825
109	30	3.28142
110	30	2.96859
111	30	2.54416
112	30	2.00075
113	30	1.3333
114	30	0.529631
115	30	-0.431283
116	30	-1.60108
117	30	-2.7686
118	30	-4.07848
119	30	-5.36611
120	30	-6.5672
121	30	-6.98792
122	30	-6.4324
123	30	-5.21881
124	30	-3.7982
125	30	-2.42868
126	30	-1.20996
127	30	-0.133791
128	30	0.781851
129	30	1.56823
130	30	2.23632
131	30	2.80093
132	30	3.2758
133	30	3.66777
134	30	3.98425
135	30	4.23247
136	30	4.42346
137	30	4.54811
138	30	4.62395
139	30	4.6515
140	30	4.62803
141	30	4.56345
142	30	4.45816
143	30	4.30649

144	30	4.13267
145	30	3.90839
146	30	3.65964
147	30	3.37859
148	30	3.07006
149	30	2.73359
150	30	2.3781
151	30	2.00573
152	30	1.62115
153	30	1.22681
154	30	0.832199
155	30	0.446526
156	30	0.0767275
157	30	-0.270508
158	30	-0.583868
159	30	-0.853831
160	30	-1.07646
161	30	-1.25016
162	30	-1.36364
163	30	-1.41882
164	30	-1.4307
165	30	-1.39035
166	30	-1.31622
167	30	-1.22379
168	30	-1.10535
169	30	-0.974323
170	30	-0.837274
171	30	-0.69626
172	30	-0.559623
173	30	-0.427581
174	30	-0.295427
175	30	-0.178072
176	30	-0.0733619
177	30	0.0227811
178	30	0.103781
179	30	0.170387
180	30	0.230328
-180	31	1.54914
-179	31	1.598
-178	31	1.62398
-177	31	1.63665
-176	31	1.63259
-175	31	1.61223
-174	31	1.57518
-173	31	1.52223
-172	31	1.45476
-171	31	1.3713
-170	31	1.27604
-169	31	1.15987
-168	31	1.0257
-167	31	0.875036
-166	31	0.71534
-165	31	0.528309
-164	31	0.330391
-163	31	0.134287
-162	31	-0.0942539
-161	31	-0.332056
-160	31	-0.578131
-159	31	-0.825354
-158	31	-1.08472
-157	31	-1.29242
-156	31	-1.50859
-155	31	-1.68121
-154	31	-1.8071
-153	31	-1.87315
-152	31	-1.87358
-151	31	-1.7907
-150	31	-1.63688
-149	31	-1.39275
-148	31	-1.11762
-147	31	-0.75634
-146	31	-0.3785
-145	31	0.0402684
-144	31	0.467112
-143	31	0.892783
-142	31	1.30705
-141	31	1.784
-140	31	2.07915
-139	31	2.41904
-138	31	2.73305
-137	31	3.01356
-136	31	3.25769
-135	31	3.46111
-134	31	3.62361
-133	31	3.71212
-132	31	3.80504
-131	31	3.81797
-130	31	3.77676
-129	31	3.67648
-128	31	3.51335
-127	31	3.28009
-126	31	2.97389
-125	31	2.58665
-124	31	2.10635
-123	31	1.52366
-122	31	0.824578
-121	31	-0.0166076

-120	31	-1.09221
-119	31	-2.51561
-118	31	-3.01888
-117	31	-4.38091
-116	31	-5.59462
-115	31	-6.66327
-114	31	-7.20619
-113	31	-6.84887
-112	31	-5.77886
-111	31	-4.45511
-110	31	-3.15809
-109	31	-1.97063
-108	31	-0.92
-107	31	-0.029986
-106	31	0.724453
-105	31	1.34496
-104	31	1.7999
-103	31	2.1046
-102	31	2.32265
-101	31	2.46612
-100	31	2.49297
-99	31	2.39222
-98	31	2.1638
-97	31	1.77658
-96	31	1.22463
-95	31	0.512182
-94	31	-0.385448
-93	31	-1.53067
-92	31	-3.00619
-91	31	-4.94367
-90	31	-7.64051
-89	31	-11.7009
-88	31	-18.5458
-87	31	-18.4498
-86	31	-11.5606
-85	31	-7.4583
-84	31	-4.71847
-83	31	-2.70691
-82	31	-1.15695
-81	31	0.090255
-80	31	1.02083
-79	31	1.82995
-78	31	2.38991
-77	31	2.86181
-76	31	3.17439
-75	31	3.38512
-74	31	3.49548
-73	31	3.44658
-72	31	3.28731
-71	31	3.05037
-70	31	2.67599
-69	31	2.17482
-68	31	1.57403
-67	31	0.840073
-66	31	-0.0885256
-65	31	-1.16407
-64	31	-2.50054
-63	31	-3.84335
-62	31	-5.20321
-61	31	-6.68151
-60	31	-7.6132
-59	31	-7.21105
-58	31	-5.838
-57	31	-4.25477
-56	31	-2.76181
-55	31	-1.44143
-54	31	-0.310755
-53	31	0.676351
-52	31	1.52991
-51	31	2.24461
-50	31	2.82867
-49	31	3.30583
-48	31	3.69491
-47	31	4.00902
-46	31	4.25573
-45	31	4.43917
-44	31	4.56216
-43	31	4.62462
-42	31	4.62934
-41	31	4.58691
-40	31	4.49881
-39	31	4.36875
-38	31	4.19575
-37	31	3.98101
-36	31	3.728
-35	31	3.43841
-34	31	3.11562
-33	31	2.76008
-32	31	2.37527
-31	31	1.96769
-30	31	1.5852
-29	31	1.10073
-28	31	0.655756
-27	31	0.215936
-26	31	-0.206424
-25	31	-0.599723
-24	31	-0.948209

-23	31	-1.23987
-22	31	-1.46738
-21	31	-1.62289
-20	31	-1.70423
-19	31	-1.7202
-18	31	-1.67593
-17	31	-1.56406
-16	31	-1.41896
-15	31	-1.266
-14	31	-1.1066
-13	31	-0.891931
-12	31	-0.684464
-11	31	-0.476873
-10	31	-0.292552
-9	31	-0.122555
-8	31	0.060384
-7	31	0.251912
-6	31	0.419944
-5	31	0.555897
-4	31	0.670469
-3	31	0.771378
-2	31	0.86501
-1	31	0.936754
0	31	0.994895
1	31	1.03225
2	31	1.02275
3	31	1.0323
4	31	1.02564
5	31	1.00169
6	31	0.963268
7	31	0.910193
8	31	0.839853
9	31	0.752019
10	31	0.653454
11	31	0.532531
12	31	0.387325
13	31	0.225967
14	31	0.057765
15	31	-0.110174
16	31	-0.300841
17	31	-0.525976
18	31	-0.759727
19	31	-0.992005
20	31	-1.12092
21	31	-1.37051
22	31	-1.56651
23	31	-1.72471
24	31	-1.84517
25	31	-1.92639
26	31	-1.93735
27	31	-1.89498
28	31	-1.82797
29	31	-1.58168
30	31	-1.35105
31	31	-1.0526
32	31	-0.689563
33	31	-0.262485
34	31	0.124618
35	31	0.584275
36	31	0.955932
37	31	1.3194
38	31	1.72065
39	31	2.099
40	31	2.4359
41	31	2.75073
42	31	3.04313
43	31	3.28503
44	31	3.51976
45	31	3.72706
46	31	3.83209
47	31	3.9041
48	31	3.95112
49	31	3.93814
50	31	3.88059
51	31	3.78258
52	31	3.60435
53	31	3.34389
54	31	3.00747
55	31	2.59045
56	31	2.08704
57	31	1.46628
58	31	0.706857
59	31	-0.200261
60	31	-1.37063
61	31	-2.92861
62	31	-3.55209
63	31	-5.02998
64	31	-6.36888
65	31	-7.31069
66	31	-7.59176
67	31	-6.91558
68	31	-5.56848
69	31	-4.13216
70	31	-2.76404
71	31	-1.55807
72	31	-0.529182
73	31	0.332689

74	31	1.04289
75	31	1.60546
76	31	2.04128
77	31	2.399
78	31	2.56036
79	31	2.65395
80	31	2.63624
81	31	2.50743
82	31	2.2489
83	31	1.84058
84	31	1.27945
85	31	0.550424
86	31	-0.38108
87	31	-1.57114
88	31	-3.10645
89	31	-5.1257
90	31	-7.91697
91	31	-12.1158
92	31	-18.558
93	31	-16.4347
94	31	-10.5525
95	31	-6.84224
96	31	-4.27656
97	31	-2.36718
98	31	-0.89009
99	31	0.33039
100	31	1.26175
101	31	1.99862
102	31	2.56724
103	31	3.00236
104	31	3.30642
105	31	3.49118
106	31	3.56079
107	31	3.51643
108	31	3.36413
109	31	3.10075
110	31	2.72241
111	31	2.2213
112	31	1.58936
113	31	0.839955
114	31	-0.0847479
115	31	-1.12846
116	31	-2.36917
117	31	-3.68745
118	31	-4.96227
119	31	-6.2197
120	31	-6.75644
121	31	-6.30504
122	31	-5.12862
123	31	-3.70576
124	31	-2.32132
125	31	-1.07924
126	31	0.00330284
127	31	0.930357
128	31	1.70179
129	31	2.39341
130	31	2.95348
131	31	3.41906
132	31	3.79987
133	31	4.10095
134	31	4.33225
135	31	4.49758
136	31	4.60276
137	31	4.64944
138	31	4.64002
139	31	4.58482
140	31	4.48053
141	31	4.33291
142	31	4.13528
143	31	3.91127
144	31	3.63396
145	31	3.32764
146	31	2.98509
147	31	2.61544
148	31	2.21892
149	31	1.80315
150	31	1.36975
151	31	0.930589
152	31	0.49725
153	31	0.0767106
154	31	-0.314768
155	31	-0.62795
156	31	-0.920534
157	31	-1.14673
158	31	-1.30293
159	31	-1.38111
160	31	-1.38434
161	31	-1.32699
162	31	-1.2171
163	31	-1.0536
164	31	-0.867765
165	31	-0.677122
166	31	-0.473178
167	31	-0.253912
168	31	-0.034015
169	31	0.180791
170	31	0.382496

171	31	0.565815
172	31	0.734215
173	31	0.881478
174	31	1.00785
175	31	1.12319
176	31	1.22448
177	31	1.32268
178	31	1.4143
179	31	1.47918
180	31	1.54914
-180	32	2.78894
-179	32	2.81507
-178	32	2.82886
-177	32	2.83443
-176	32	2.82651
-175	32	2.80631
-174	32	2.76941
-173	32	2.70787
-172	32	2.64235
-171	32	2.56546
-170	32	2.47862
-169	32	2.37202
-168	32	2.25871
-167	32	2.09356
-166	32	1.95633
-165	32	1.80647
-164	32	1.62868
-163	32	1.42013
-162	32	1.19424
-161	32	0.94788
-160	32	0.682287
-159	32	0.402115
-158	32	0.119713
-157	32	-0.206908
-156	32	-0.51557
-155	32	-0.824908
-154	32	-1.1135
-153	32	-1.38774
-152	32	-1.61992
-151	32	-1.79217
-150	32	-1.87926
-149	32	-1.88418
-148	32	-1.80472
-147	32	-1.61433
-146	32	-1.35005
-145	32	-0.997509
-144	32	-0.589095
-143	32	-0.150153
-142	32	0.303834
-141	32	0.804803
-140	32	1.20321
-139	32	1.63238
-138	32	2.03701
-137	32	2.40615
-136	32	2.73676
-135	32	3.02796
-134	32	3.27614
-133	32	3.47589
-132	32	3.6265
-131	32	3.72611
-130	32	3.76932
-129	32	3.75616
-128	32	3.68243
-127	32	3.54278
-126	32	3.33106
-125	32	3.03651
-124	32	2.65843
-123	32	2.18507
-122	32	1.59924
-121	32	0.88701
-120	32	0.0261325
-119	32	-1.02462
-118	32	-2.61748
-117	32	-3.38613
-116	32	-4.62367
-115	32	-5.78459
-114	32	-6.52889
-113	32	-6.90758
-112	32	-6.38113
-111	32	-5.18655
-110	32	-3.86407
-109	32	-2.57855
-108	32	-1.43847
-107	32	-0.450779
-106	32	0.38279
-105	32	1.05465
-104	32	1.60479
-103	32	2.04952
-102	32	2.34015
-101	32	2.47218
-100	32	2.49983
-99	32	2.43503
-98	32	2.27714
-97	32	1.95028
-96	32	1.47116
-95	32	0.792046
-94	32	-0.103345

-93	32	-1.2259
-92	32	-2.64006
-91	32	-4.46949
-90	32	-6.9314
-89	32	-10.4763
-88	32	-15.9476
-87	32	-17.7293
-86	32	-11.728
-85	32	-7.53617
-84	32	-4.70809
-83	32	-2.67036
-82	32	-1.13577
-81	32	0.156145
-80	32	1.17039
-79	32	1.8907
-78	32	2.47817
-77	32	2.90533
-76	32	3.19566
-75	32	3.35761
-74	32	3.38886
-73	32	3.3419
-72	32	3.18132
-71	32	2.83993
-70	32	2.37506
-69	32	1.81071
-68	32	1.1111
-67	32	0.231974
-66	32	-0.764238
-65	32	-1.99645
-64	32	-3.31006
-63	32	-4.73785
-62	32	-6.29885
-61	32	-7.18159
-60	32	-6.95879
-59	32	-5.85887
-58	32	-4.3459
-57	32	-2.78968
-56	32	-1.39551
-55	32	-0.226751
-54	32	0.770939
-53	32	1.60051
-52	32	2.28839
-51	32	2.87653
-50	32	3.37564
-49	32	3.78025
-48	32	4.0905
-47	32	4.31904
-46	32	4.47689
-45	32	4.57109
-44	32	4.60729
-43	32	4.58749
-42	32	4.5118
-41	32	4.3809
-40	32	4.19382
-39	32	3.96072
-38	32	3.68656
-37	32	3.37455
-36	32	3.02738
-35	32	2.6445
-34	32	2.23019
-33	32	1.78828
-32	32	1.32481
-31	32	0.846225
-30	32	0.36547
-29	32	-0.110145
-28	32	-0.554736
-27	32	-0.97683
-26	32	-1.29448
-25	32	-1.55245
-24	32	-1.7169
-23	32	-1.78412
-22	32	-1.75191
-21	32	-1.64339
-20	32	-1.46482
-19	32	-1.23397
-18	32	-0.972319
-17	32	-0.690607
-16	32	-0.400976
-15	32	-0.170892
-14	32	0.0993067
-13	32	0.366878
-12	32	0.616907
-11	32	0.850073
-10	32	1.0679
-9	32	1.26177
-8	32	1.44002
-7	32	1.59377
-6	32	1.70944
-5	32	1.85512
-4	32	1.9726
-3	32	2.05813
-2	32	2.13109
-1	32	2.1957
0	32	2.24149
1	32	2.27136
2	32	2.2893
3	32	2.29495

4	32	2.28839
5	32	2.26971
6	32	2.2291
7	32	2.17631
8	32	2.10796
9	32	2.0215
10	32	1.91771
11	32	1.79647
12	32	1.66657
13	32	1.51593
14	32	1.33783
15	32	1.16708
16	32	0.999242
17	32	0.819793
18	32	0.628975
19	32	0.385126
20	32	0.121332
21	32	-0.143027
22	32	-0.495445
23	32	-0.768428
24	32	-1.02532
25	32	-1.2846
26	32	-1.49543
27	32	-1.67774
28	32	-1.87517
29	32	-1.92583
30	32	-1.91296
31	32	-1.78327
32	32	-1.58907
33	32	-1.27769
34	32	-0.956261
35	32	-0.636331
36	32	-0.181102
37	32	0.291544
38	32	0.743123
39	32	1.1786
40	32	1.61722
41	32	2.00869
42	32	2.3921
43	32	2.78943
44	32	3.10123
45	32	3.32471
46	32	3.53665
47	32	3.69809
48	32	3.83959
49	32	3.92749
50	32	3.94683
51	32	3.89704
52	32	3.79216
53	32	3.62577
54	32	3.39039
55	32	3.06323
56	32	2.64451
57	32	2.11551
58	32	1.48235
59	32	0.719673
60	32	-0.206879
61	32	-1.32487
62	32	-3.01932
63	32	-3.89088
64	32	-5.1793
65	32	-6.34254
66	32	-7.07534
67	32	-7.10346
68	32	-6.22754
69	32	-4.82377
70	32	-3.42056
71	32	-2.14617
72	32	-0.952663
73	32	-0.0788227
74	32	0.716997
75	32	1.36736
76	32	1.88034
77	32	2.26444
78	32	2.52938
79	32	2.67037
80	32	2.68921
81	32	2.59067
82	32	2.39562
83	32	2.02566
84	32	1.50563
85	32	0.814034
86	32	-0.0832126
87	32	-1.23307
88	32	-2.71057
89	32	-4.65279
90	32	-7.30905
91	32	-11.1767
92	32	-16.7529
93	32	-16.0825
94	32	-10.5844
95	32	-6.85002
96	32	-4.24863
97	32	-2.31871
98	32	-0.830115
99	32	0.40847
100	32	1.32983

101	32	2.06068
102	32	2.61921
103	32	3.03354
104	32	3.31321
105	32	3.46689
106	32	3.49612
107	32	3.41203
108	32	3.21221
109	32	2.89299
110	32	2.44749
111	32	1.86817
112	32	1.17644
113	32	0.303313
114	32	-0.69944
115	32	-1.9021
116	32	-3.15798
117	32	-4.47536
118	32	-5.7731
119	32	-6.49452
120	32	-6.23447
121	32	-5.16106
122	32	-3.75188
123	32	-2.34599
124	32	-1.07691
125	32	0.0310694
126	32	0.979438
127	32	1.78271
128	32	2.46264
129	32	3.00911
130	32	3.49279
131	32	3.86244
132	32	4.15458
133	32	4.37171
134	32	4.51941
135	32	4.60134
136	32	4.62202
137	32	4.58555
138	32	4.49514
139	32	4.35677
140	32	4.16295
141	32	3.92384
142	32	3.64907
143	32	3.31491
144	32	2.95188
145	32	2.5431
146	32	2.10958
147	32	1.67239
148	32	1.19956
149	32	0.72614
150	32	0.271267
151	32	-0.144724
152	32	-0.515495
153	32	-0.843775
154	32	-1.12053
155	32	-1.31842
156	32	-1.42027
157	32	-1.40501
158	32	-1.29745
159	32	-1.13
160	32	-0.915246
161	32	-0.661983
162	32	-0.384987
163	32	-0.089513
164	32	0.211912
165	32	0.471914
166	32	0.724282
167	32	0.988153
168	32	1.23328
169	32	1.4599
170	32	1.66675
171	32	1.84738
172	32	2.01695
173	32	2.17068
174	32	2.30435
175	32	2.42424
176	32	2.52454
177	32	2.61201
178	32	2.68526
179	32	2.74522
180	32	2.78894
-180	33	3.72265
-179	33	3.73677
-178	33	3.74563
-177	33	3.748
-176	33	3.73906
-175	33	3.72134
-174	33	3.68852
-173	33	3.64812
-172	33	3.59087
-171	33	3.52879
-170	33	3.46138
-169	33	3.37043
-168	33	3.25374
-167	33	3.13459
-166	33	3.00385
-165	33	2.87729
-164	33	2.7279

-163	33	2.54252
-162	33	2.34314
-161	33	2.11778
-160	33	1.87289
-159	33	1.60691
-158	33	1.3189
-157	33	1.02556
-156	33	0.676755
-155	33	0.335762
-154	33	-0.0264551
-153	33	-0.396237
-152	33	-0.766036
-151	33	-1.11023
-150	33	-1.44076
-149	33	-1.68341
-148	33	-1.87739
-147	33	-1.96915
-146	33	-1.93282
-145	33	-1.78439
-144	33	-1.51733
-143	33	-1.16343
-142	33	-0.745913
-141	33	-0.273212
-140	33	0.212301
-139	33	0.70633
-138	33	1.19228
-137	33	1.65165
-136	33	2.07543
-135	33	2.45849
-134	33	2.80043
-133	33	3.09437
-132	33	3.42045
-131	33	3.52581
-130	33	3.6531
-129	33	3.72464
-128	33	3.73399
-127	33	3.67719
-126	33	3.55326
-125	33	3.35246
-124	33	3.06898
-123	33	2.69248
-122	33	2.21285
-121	33	1.61776
-120	33	0.887323
-119	33	-0.00587749
-118	33	-1.10233
-117	33	-2.97234
-116	33	-4.25364
-115	33	-4.96993
-114	33	-5.98744
-113	33	-6.61207
-112	33	-6.48462
-111	33	-5.79554
-110	33	-4.5302
-109	33	-3.24868
-108	33	-2.01103
-107	33	-0.911385
-106	33	0.0166318
-105	33	0.794346
-104	33	1.41944
-103	33	1.87776
-102	33	2.23488
-101	33	2.50435
-100	33	2.61688
-99	33	2.55776
-98	33	2.37415
-97	33	2.11004
-96	33	1.65934
-95	33	1.04674
-94	33	0.23207
-93	33	-0.838921
-92	33	-2.21732
-91	33	-4.01637
-90	33	-6.45716
-89	33	-9.95815
-88	33	-15.2614
-87	33	-17.475
-86	33	-11.7039
-85	33	-7.55084
-84	33	-4.76179
-83	33	-2.69409
-82	33	-1.0025
-81	33	0.264689
-80	33	1.18799
-79	33	1.92766
-78	33	2.48935
-77	33	2.89564
-76	33	3.17337
-75	33	3.31059
-74	33	3.30756
-73	33	3.17821
-72	33	2.91288
-71	33	2.54439
-70	33	2.02642
-69	33	1.32018
-68	33	0.514677
-67	33	-0.398392

-66	33	-1.55132
-65	33	-2.81777
-64	33	-4.1702
-63	33	-5.67326
-62	33	-6.73364
-61	33	-6.85734
-60	33	-5.89011
-59	33	-4.35539
-58	33	-2.80153
-57	33	-1.42887
-56	33	-0.219436
-55	33	0.801062
-54	33	1.64824
-53	33	2.36506
-52	33	2.96753
-51	33	3.44249
-50	33	3.81288
-49	33	4.10385
-48	33	4.32432
-47	33	4.47167
-46	33	4.5437
-45	33	4.54629
-44	33	4.48628
-43	33	4.36861
-42	33	4.19905
-41	33	3.9816
-40	33	3.71392
-39	33	3.39529
-38	33	3.02613
-37	33	2.6095
-36	33	2.1543
-35	33	1.66805
-34	33	1.16085
-33	33	0.639295
-32	33	0.121926
-31	33	-0.377725
-30	33	-0.840383
-29	33	-1.24383
-28	33	-1.56259
-27	33	-1.76407
-26	33	-1.85142
-25	33	-1.80986
-24	33	-1.71059
-23	33	-1.46221
-22	33	-1.1679
-21	33	-0.830594
-20	33	-0.478657
-19	33	-0.124874
-18	33	0.222953
-17	33	0.559355
-16	33	0.873028
-15	33	1.16548
-14	33	1.41407
-13	33	1.67421
-12	33	1.91546
-11	33	2.15626
-10	33	2.35077
-9	33	2.52143
-8	33	2.67658
-7	33	2.81905
-6	33	2.93826
-5	33	2.9923
-4	33	3.07992
-3	33	3.16924
-2	33	3.22086
-1	33	3.28057
0	33	3.313
1	33	3.32505
2	33	3.33824
3	33	3.33928
4	33	3.32422
5	33	3.30035
6	33	3.26055
7	33	3.20597
8	33	3.13406
9	33	3.05987
10	33	2.97997
11	33	2.87929
12	33	2.77039
13	33	2.65556
14	33	2.53363
15	33	2.40648
16	33	2.24514
17	33	2.03205
18	33	1.79636
19	33	1.54454
20	33	1.29488
21	33	1.07706
22	33	0.794361
23	33	0.44026
24	33	0.128529
25	33	-0.197877
26	33	-0.553347
27	33	-0.933399
28	33	-1.26407
29	33	-1.54074
30	33	-1.76799

31	33	-1.88212
32	33	-1.92817
33	33	-1.90732
34	33	-1.79437
35	33	-1.53122
36	33	-1.16814
37	33	-0.78179
38	33	-0.327452
39	33	0.144617
40	33	0.637018
41	33	1.19871
42	33	1.72167
43	33	2.11382
44	33	2.46811
45	33	2.81058
46	33	3.11762
47	33	3.39712
48	33	3.59941
49	33	3.77273
50	33	3.88164
51	33	3.9303
52	33	3.91067
53	33	3.81171
54	33	3.64129
55	33	3.39641
56	33	3.06235
57	33	2.63609
58	33	2.10938
59	33	1.46529
60	33	0.689611
61	33	-0.253937
62	33	-1.41351
63	33	-3.40128
64	33	-4.84761
65	33	-5.59808
66	33	-6.54699
67	33	-6.97659
68	33	-6.55252
69	33	-5.4538
70	33	-4.08038
71	33	-2.72916
72	33	-1.51132
73	33	-0.460563
74	33	0.428011
75	33	1.1525
76	33	1.7305
77	33	2.18131
78	33	2.4986
79	33	2.69142
80	33	2.75734
81	33	2.69803
82	33	2.50833
83	33	2.22613
84	33	1.74549
85	33	1.09266
86	33	0.240751
87	33	-0.854907
88	33	-2.26722
89	33	-4.11951
90	33	-6.62058
91	33	-10.1951
92	33	-15.2288
93	33	-15.8685
94	33	-10.7607
95	33	-6.96557
96	33	-4.30364
97	33	-2.32964
98	33	-0.729502
99	33	0.446618
100	33	1.3671
101	33	2.08597
102	33	2.63675
103	33	3.03279
104	33	3.28931
105	33	3.41462
106	33	3.40712
107	33	3.28254
108	33	3.03418
109	33	2.65538
110	33	2.13995
111	33	1.49396
112	33	0.707419
113	33	-0.243904
114	33	-1.39749
115	33	-2.6289
116	33	-3.90987
117	33	-5.26662
118	33	-6.31137
119	33	-6.18888
120	33	-5.29094
121	33	-3.93043
122	33	-2.50657
123	33	-1.19516
124	33	-0.0531247
125	33	0.927293
126	33	1.75385
127	33	2.44102

128	33	3.01626
129	33	3.49304
130	33	3.86951
131	33	4.13985
132	33	4.36215
133	33	4.4943
134	33	4.55855
135	33	4.55684
136	33	4.48469
137	33	4.34211
138	33	4.14188
139	33	3.88955
140	33	3.60351
141	33	3.28734
142	33	2.93548
143	33	2.54273
144	33	2.10077
145	33	1.61276
146	33	1.10577
147	33	0.577925
148	33	0.0647697
149	33	-0.416132
150	33	-0.84351
151	33	-1.19112
152	33	-1.43974
153	33	-1.55698
154	33	-1.55683
155	33	-1.44003
156	33	-1.22843
157	33	-0.948852
158	33	-0.616411
159	33	-0.258261
160	33	0.103149
161	33	0.460879
162	33	0.808899
163	33	1.13848
164	33	1.44918
165	33	1.71235
166	33	1.95002
167	33	2.19312
168	33	2.41579
169	33	2.616
170	33	2.79863
171	33	2.95522
172	33	3.10018
173	33	3.23226
174	33	3.34343
175	33	3.44078
176	33	3.52186
177	33	3.59079
178	33	3.64746
179	33	3.69298
180	33	3.72265
-180	34	4.40452
-179	34	4.40739
-178	34	4.41005
-177	34	4.40792
-176	34	4.39674
-175	34	4.37924
-174	34	4.35154
-173	34	4.37033
-172	34	4.26954
-171	34	4.21862
-170	34	4.15911
-169	34	4.08804
-168	34	4.00778
-167	34	3.91109
-166	34	3.80616
-165	34	3.70288
-164	34	3.57528
-163	34	3.41707
-162	34	3.24533
-161	34	3.05667
-160	34	2.84846
-159	34	2.61419
-158	34	2.35684
-157	34	2.08689
-156	34	1.77089
-155	34	1.44269
-154	34	1.08828
-153	34	0.708947
-152	34	0.311928
-151	34	-0.115835
-150	34	-0.521316
-149	34	-0.949497
-148	34	-1.32364
-147	34	-1.66631
-146	34	-1.91183
-145	34	-2.04881
-144	34	-2.04104
-143	34	-1.90187
-142	34	-1.64642
-141	34	-1.27732
-140	34	-0.790362
-139	34	-0.277211
-138	34	0.257299
-137	34	0.784959

-136	34	1.29374
-135	34	1.77082
-134	34	2.20947
-133	34	2.60018
-132	34	2.94013
-131	34	3.19152
-130	34	3.43443
-129	34	3.58753
-128	34	3.68133
-127	34	3.70861
-126	34	3.66349
-125	34	3.54317
-124	34	3.34238
-123	34	3.05332
-122	34	2.66798
-121	34	2.17383
-120	34	1.55335
-119	34	0.793643
-118	34	-0.141583
-117	34	-1.29946
-116	34	-3.5765
-115	34	-4.96985
-114	34	-5.47176
-113	34	-6.34516
-112	34	-6.6613
-111	34	-6.30613
-110	34	-5.10716
-109	34	-3.89058
-108	34	-2.5633
-107	34	-1.38925
-106	34	-0.348647
-105	34	0.532969
-104	34	1.22891
-103	34	1.78834
-102	34	2.19562
-101	34	2.45396
-100	34	2.60868
-99	34	2.6531
-98	34	2.54056
-97	34	2.31279
-96	34	1.91141
-95	34	1.31642
-94	34	0.527263
-93	34	-0.486891
-92	34	-1.80522
-91	34	-3.54174
-90	34	-5.87413
-89	34	-9.18543
-88	34	-14.1638
-87	34	-17.2993
-86	34	-12.0556
-85	34	-7.78941
-84	34	-4.818
-83	34	-2.56874
-82	34	-0.978354
-81	34	0.258978
-80	34	1.19287
-79	34	1.93596
-78	34	2.49327
-77	34	2.88399
-76	34	3.12459
-75	34	3.21863
-74	34	3.19134
-73	34	3.02257
-72	34	2.72664
-71	34	2.29345
-70	34	1.70319
-69	34	1.04285
-68	34	0.162906
-67	34	-1.01533
-66	34	-2.27655
-65	34	-3.62685
-64	34	-5.11266
-63	34	-6.36424
-62	34	-6.76273
-61	34	-6.00755
-60	34	-4.64028
-59	34	-2.85925
-58	34	-1.54232
-57	34	-0.371373
-56	34	0.693623
-55	34	1.62956
-54	34	2.43056
-53	34	3.10824
-52	34	3.58887
-51	34	3.84991
-50	34	4.11827
-49	34	4.30908
-48	34	4.43869
-47	34	4.46092
-46	34	4.45068
-45	34	4.3782
-44	34	4.23832
-43	34	4.02978
-42	34	3.75519
-41	34	3.42181
-40	34	3.03624

-39	34	2.60665
-38	34	2.1404
-37	34	1.63633
-36	34	1.09306
-35	34	0.521617
-34	34	-0.056117
-33	34	-0.60862
-32	34	-1.10527
-31	34	-1.51422
-30	34	-1.79961
-29	34	-1.94216
-28	34	-1.93838
-27	34	-1.80523
-26	34	-1.55371
-25	34	-1.22971
-24	34	-0.779402
-23	34	-0.369928
-22	34	0.00777523
-21	34	0.452846
-20	34	0.825954
-19	34	1.18749
-18	34	1.53195
-17	34	1.85673
-16	34	2.13962
-15	34	2.38095
-14	34	2.60998
-13	34	2.8349
-12	34	3.03784
-11	34	3.21556
-10	34	3.37751
-9	34	3.51676
-8	34	3.64309
-7	34	3.75692
-6	34	3.85399
-5	34	3.93879
-4	34	4.0089
-3	34	4.06226
-2	34	4.11133
-1	34	4.15509
0	34	4.17143
1	34	4.16953
2	34	4.17181
3	34	4.16717
4	34	4.15335
5	34	4.13037
6	34	4.09504
7	34	4.05875
8	34	3.9703
9	34	3.91591
10	34	3.8585
11	34	3.79011
12	34	3.70096
13	34	3.58621
14	34	3.46868
15	34	3.36197
16	34	3.23009
17	34	3.04538
18	34	2.84162
19	34	2.63828
20	34	2.42716
21	34	2.19857
22	34	1.90077
23	34	1.60522
24	34	1.24747
25	34	0.860473
26	34	0.471877
27	34	0.121
28	34	-0.191841
29	34	-0.629646
30	34	-0.994756
31	34	-1.36089
32	34	-1.71344
33	34	-1.91613
34	34	-2.08416
35	34	-2.11045
36	34	-1.97611
37	34	-1.68818
38	34	-1.34531
39	34	-0.853316
40	34	-0.240516
41	34	0.278867
42	34	0.742075
43	34	1.23709
44	34	1.71282
45	34	2.17929
46	34	2.59638
47	34	2.94766
48	34	3.26005
49	34	3.50043
50	34	3.70732
51	34	3.83362
52	34	3.8918
53	34	3.87948
54	34	3.78801
55	34	3.62035
56	34	3.36884
57	34	3.0493

58	34	2.63202
59	34	2.09694
60	34	1.42521
61	34	0.591306
62	34	-0.424373
63	34	-1.6926
64	34	-4.17028
65	34	-5.71423
66	34	-6.12176
67	34	-6.7899
68	34	-6.74162
69	34	-6.02644
70	34	-4.74799
71	34	-3.35942
72	34	-2.04753
73	34	-0.888742
74	34	0.101226
75	34	0.923197
76	34	1.58149
77	34	2.10367
78	34	2.48202
79	34	2.72619
80	34	2.843
81	34	2.82427
82	34	2.66925
83	34	2.41815
84	34	1.98928
85	34	1.37792
86	34	0.570059
87	34	-0.476742
88	34	-1.8282
89	34	-3.59549
90	34	-5.97208
91	34	-9.31402
92	34	-14.0307
93	34	-15.8656
94	34	-11.0855
95	34	-7.15519
96	34	-4.40269
97	34	-2.27704
98	34	-0.737629
99	34	0.441328
100	34	1.36544
101	34	2.08829
102	34	2.63
103	34	3.01153
104	34	3.24576
105	34	3.33596
106	34	3.30038
107	34	3.13175
108	34	2.82984
109	34	2.3891
110	34	1.80504
111	34	1.12133
112	34	0.250439
113	34	-0.827571
114	34	-2.01453
115	34	-3.31103
116	34	-4.69994
117	34	-5.89763
118	34	-6.30044
119	34	-5.63793
120	34	-4.27822
121	34	-2.8133
122	34	-1.4504
123	34	-0.285
124	34	0.777522
125	34	1.65109
126	34	2.38997
127	34	2.97342
128	34	3.44609
129	34	3.82459
130	34	4.11218
131	34	4.31468
132	34	4.42412
133	34	4.48829
134	34	4.46249
135	34	4.37152
136	34	4.21734
137	34	4.00766
138	34	3.73652
139	34	3.41165
140	34	3.02608
141	34	2.58822
142	34	2.10853
143	34	1.59514
144	34	1.04671
145	34	0.486631
146	34	-0.0640963
147	34	-0.576282
148	34	-1.02024
149	34	-1.41223
150	34	-1.69911
151	34	-1.74576
152	34	-1.61546
153	34	-1.44061
154	34	-1.13461

155	34	-0.765217
156	34	-0.355473
157	34	0.0728593
158	34	0.499738
159	34	0.909987
160	34	1.29846
161	34	1.65759
162	34	1.99175
163	34	2.30285
164	34	2.58129
165	34	2.81854
166	34	3.02885
167	34	3.23423
168	34	3.41909
169	34	3.58103
170	34	3.72619
171	34	3.8501
172	34	3.96106
173	34	4.06023
174	34	4.14416
175	34	4.21431
176	34	4.27338
177	34	4.32174
178	34	4.3603
179	34	4.38924
180	34	4.40452
-180	35	4.87171
-179	35	4.86462
-178	35	4.86221
-177	35	4.85523
-176	35	4.84774
-175	35	4.82541
-174	35	4.80058
-173	35	4.77112
-172	35	4.73436
-171	35	4.69336
-170	35	4.6446
-169	35	4.58964
-168	35	4.52699
-167	35	4.45448
-166	35	4.37221
-165	35	4.29129
-164	35	4.19839
-163	35	4.07925
-162	35	3.94364
-161	35	3.79377
-160	35	3.61196
-159	35	3.41744
-158	35	3.20168
-157	35	2.95472
-156	35	2.69765
-155	35	2.40582
-154	35	2.0841
-153	35	1.73201
-152	35	1.34895
-151	35	0.937044
-150	35	0.5055
-149	35	0.0364964
-148	35	-0.440713
-147	35	-0.914604
-146	35	-1.3607
-145	35	-1.74118
-144	35	-2.03789
-143	35	-2.19977
-142	35	-2.24332
-141	35	-2.05583
-140	35	-1.71225
-139	35	-1.26311
-138	35	-0.735302
-137	35	-0.17174
-136	35	0.401728
-135	35	0.962325
-134	35	1.49435
-133	35	1.98258
-132	35	2.41767
-131	35	2.79044
-130	35	3.1069
-129	35	3.3563
-128	35	3.54208
-127	35	3.65737
-126	35	3.69829
-125	35	3.6606
-124	35	3.53959
-123	35	3.32963
-122	35	3.02681
-121	35	2.61917
-120	35	2.0961
-119	35	1.43842
-118	35	0.623153
-117	35	-0.377605
-116	35	-1.62934
-115	35	-4.1012
-114	35	-5.93325
-113	35	-6.17926
-112	35	-6.82911
-111	35	-6.73102
-110	35	-5.94961

-109	35	-4.63797
-108	35	-3.07641
-107	35	-1.86885
-106	35	-0.761271
-105	35	0.188577
-104	35	0.998397
-103	35	1.64495
-102	35	2.11691
-101	35	2.46669
-100	35	2.67458
-99	35	2.72368
-98	35	2.63871
-97	35	2.43177
-96	35	2.1184
-95	35	1.58128
-94	35	0.841379
-93	35	-0.143035
-92	35	-1.41649
-91	35	-3.07289
-90	35	-5.2939
-89	35	-8.42239
-88	35	-12.988
-87	35	-16.8251
-86	35	-12.4005
-85	35	-7.90049
-84	35	-4.87824
-83	35	-2.60691
-82	35	-0.951007
-81	35	0.23288
-80	35	1.19048
-79	35	1.91954
-78	35	2.45929
-77	35	2.83881
-76	35	3.05906
-75	35	3.12346
-74	35	3.05793
-73	35	2.85242
-72	35	2.50332
-71	35	1.99285
-70	35	1.38618
-69	35	0.490506
-68	35	-0.46118
-67	35	-1.56966
-66	35	-2.87432
-65	35	-4.42021
-64	35	-5.84166
-63	35	-6.61406
-62	35	-6.30714
-61	35	-5.03263
-60	35	-3.49544
-59	35	-1.98304
-58	35	-0.66955
-57	35	0.424021
-56	35	1.35933
-55	35	2.1464
-54	35	2.79019
-53	35	3.3166
-52	35	3.72032
-51	35	3.99926
-50	35	4.18859
-49	35	4.32234
-48	35	4.39107
-47	35	4.36745
-46	35	4.25016
-45	35	4.05755
-44	35	3.80625
-43	35	3.49723
-42	35	3.16138
-41	35	2.68598
-40	35	2.19668
-39	35	1.66487
-38	35	1.10263
-37	35	0.516523
-36	35	-0.0839615
-35	35	-0.687048
-34	35	-1.25615
-33	35	-1.72726
-32	35	-2.0395
-31	35	-2.15154
-30	35	-2.00345
-29	35	-1.75794
-28	35	-1.39897
-27	35	-0.973683
-26	35	-0.509121
-25	35	-0.0251783
-24	35	0.446263
-23	35	0.891101
-22	35	1.30855
-21	35	1.69587
-20	35	2.05471
-19	35	2.35791
-18	35	2.65677
-17	35	2.94211
-16	35	3.17667
-15	35	3.3864
-14	35	3.57515
-13	35	3.75082

-12	35	3.90909
-11	35	4.05149
-10	35	4.17579
-9	35	4.286
-8	35	4.38085
-7	35	4.46565
-6	35	4.53888
-5	35	4.59838
-4	35	4.65096
-3	35	4.69574
-2	35	4.72912
-1	35	4.74988
0	35	4.76711
1	35	4.77218
2	35	4.77171
3	35	4.77144
4	35	4.76475
5	35	4.75602
6	35	4.7403
7	35	4.7172
8	35	4.68855
9	35	4.65375
10	35	4.5952
11	35	4.52572
12	35	4.45898
13	35	4.37791
14	35	4.21387
15	35	4.07128
16	35	3.94167
17	35	3.83582
18	35	3.72708
19	35	3.56186
20	35	3.33274
21	35	3.07242
22	35	2.82287
23	35	2.52463
24	35	2.25829
25	35	1.96698
26	35	1.65528
27	35	1.29396
28	35	0.943503
29	35	0.484298
30	35	0.0122536
31	35	-0.468386
32	35	-0.89279
33	35	-1.33799
34	35	-1.75906
35	35	-2.02366
36	35	-2.20247
37	35	-2.27103
38	35	-2.05607
39	35	-1.70565
40	35	-1.32829
41	35	-0.839509
42	35	-0.287281
43	35	0.293576
44	35	0.875495
45	35	1.40763
46	35	1.90562
47	35	2.35667
48	35	2.77983
49	35	3.12565
50	35	3.41225
51	35	3.61471
52	35	3.74959
53	35	3.82653
54	35	3.83295
55	35	3.763
56	35	3.61479
57	35	3.37507
58	35	3.0454
59	35	2.59979
60	35	2.02707
61	35	1.30587
62	35	0.416168
63	35	-0.676902
64	35	-2.04235
65	35	-4.7382
66	35	-6.76487
67	35	-6.83151
68	35	-7.19572
69	35	-6.66255
70	35	-5.53656
71	35	-4.07925
72	35	-2.66072
73	35	-1.38917
74	35	-0.295864
75	35	0.618262
76	35	1.35265
77	35	1.94802
78	35	2.39797
79	35	2.7043
80	35	2.87355
81	35	2.91565
82	35	2.81608
83	35	2.55425
84	35	2.20821

85	35	1.63859
86	35	0.872793
87	35	-0.131321
88	35	-1.43727
89	35	-3.14422
90	35	-5.42364
91	35	-8.59754
92	35	-13.0886
93	35	-15.7931
94	35	-11.3995
95	35	-7.33077
96	35	-4.4765
97	35	-2.28871
98	35	-0.741658
99	35	0.436195
100	35	1.35442
101	35	2.03845
102	35	2.55565
103	35	2.9237
104	35	3.15677
105	35	3.24109
106	35	3.18503
107	35	2.97855
108	35	2.62419
109	35	2.12245
110	35	1.51654
111	35	0.724634
112	35	-0.274391
113	35	-1.39153
114	35	-2.6428
115	35	-4.02174
116	35	-5.32867
117	35	-6.02535
118	35	-5.77991
119	35	-4.54952
120	35	-3.15425
121	35	-1.79428
122	35	-0.535329
123	35	0.544272
124	35	1.457
125	35	2.21359
126	35	2.83245
127	35	3.33362
128	35	3.72534
129	35	4.01806
130	35	4.21981
131	35	4.33596
132	35	4.37237
133	35	4.33163
134	35	4.20487
135	35	4.04273
136	35	3.79653
137	35	3.48538
138	35	3.11055
139	35	2.67957
140	35	2.18933
141	35	1.65545
142	35	1.08031
143	35	0.480413
144	35	-0.115739
145	35	-0.670326
146	35	-1.16399
147	35	-1.54229
148	35	-1.75274
149	35	-1.78971
150	35	-1.6682
151	35	-1.39675
152	35	-1.02465
153	35	-0.57379
154	35	-0.111641
155	35	0.37277
156	35	0.863008
157	35	1.2878
158	35	1.7011
159	35	2.08675
160	35	2.43844
161	35	2.76106
162	35	3.05021
163	35	3.30881
164	35	3.54161
165	35	3.73585
166	35	3.90829
167	35	4.06647
168	35	4.20701
169	35	4.33036
170	35	4.43617
171	35	4.52729
172	35	4.60421
173	35	4.67114
174	35	4.72736
175	35	4.77073
176	35	4.80718
177	35	4.83521
178	35	4.85605
179	35	4.86915
180	35	4.87171
-180	36	5.10477

-179	36	5.08813
-178	36	5.09239
-177	36	5.06469
-176	36	5.05534
-175	36	5.0386
-174	36	5.01966
-173	36	4.99863
-172	36	4.97329
-171	36	4.946
-170	36	4.9132
-169	36	4.87703
-168	36	4.83506
-167	36	4.78318
-166	36	4.72699
-165	36	4.66773
-164	36	4.59753
-163	36	4.51323
-162	36	4.41395
-161	36	4.30019
-160	36	4.17408
-159	36	4.02566
-158	36	3.85636
-157	36	3.65291
-156	36	3.43756
-155	36	3.19046
-154	36	2.91931
-153	36	2.61519
-152	36	2.27095
-151	36	1.90592
-150	36	1.48976
-149	36	1.05327
-148	36	0.566942
-147	36	0.0570492
-146	36	-0.464943
-145	36	-0.992562
-144	36	-1.496
-143	36	-1.93418
-142	36	-2.321
-141	36	-2.41032
-140	36	-2.37582
-139	36	-2.14445
-138	36	-1.74192
-137	36	-1.21614
-136	36	-0.618674
-135	36	0.00492296
-134	36	0.624499
-133	36	1.20995
-132	36	1.75009
-131	36	2.22885
-130	36	2.68746
-129	36	2.99573
-128	36	3.27786
-127	36	3.48946
-126	36	3.62435
-125	36	3.67572
-124	36	3.64321
-123	36	3.5242
-122	36	3.30933
-121	36	2.98891
-120	36	2.55401
-119	36	1.99003
-118	36	1.28167
-117	36	0.399496
-116	36	-0.698857
-115	36	-2.24082
-114	36	-4.90869
-113	36	-7.30546
-112	36	-7.14451
-111	36	-7.40513
-110	36	-6.73452
-109	36	-5.49105
-108	36	-4.01895
-107	36	-2.58991
-106	36	-1.17248
-105	36	-0.17494
-104	36	0.708876
-103	36	1.41017
-102	36	1.99788
-101	36	2.41302
-100	36	2.67105
-99	36	2.80105
-98	36	2.7749
-97	36	2.57165
-96	36	2.26538
-95	36	1.77624
-94	36	1.07552
-93	36	0.147854
-92	36	-1.07419
-91	36	-2.68408
-90	36	-4.84155
-89	36	-7.78915
-88	36	-12.1207
-87	36	-16.7291
-86	36	-12.7118
-85	36	-8.12906
-84	36	-4.86899
-83	36	-2.65947

-82	36	-1.04373
-81	36	0.213459
-80	36	1.17761
-79	36	1.91092
-78	36	2.43947
-77	36	2.79154
-76	36	2.97596
-75	36	3.02562
-74	36	2.88423
-73	36	2.66777
-72	36	2.26241
-71	36	1.69315
-70	36	1.00921
-69	36	0.0856486
-68	36	-0.972142
-67	36	-2.19589
-66	36	-3.61472
-65	36	-5.01836
-64	36	-6.13142
-63	36	-6.38537
-62	36	-5.42956
-61	36	-3.99272
-60	36	-2.47417
-59	36	-1.09626
-58	36	0.0822976
-57	36	1.09618
-56	36	1.93174
-55	36	2.59728
-54	36	3.13788
-53	36	3.56378
-52	36	3.88189
-51	36	4.10548
-50	36	4.22737
-49	36	4.23734
-48	36	4.16296
-47	36	4.0438
-46	36	3.87267
-45	36	3.61819
-44	36	3.268
-43	36	2.83531
-42	36	2.33542
-41	36	1.78146
-40	36	1.17941
-39	36	0.542394
-38	36	-0.109061
-37	36	-0.738502
-36	36	-1.36641
-35	36	-1.83167
-34	36	-2.12383
-33	36	-2.20557
-32	36	-2.07874
-31	36	-1.7814
-30	36	-1.35849
-29	36	-0.863216
-28	36	-0.335411
-27	36	0.200766
-26	36	0.724369
-25	36	1.21888
-24	36	1.6728
-23	36	2.08598
-22	36	2.43244
-21	36	2.77787
-20	36	3.09081
-19	36	3.3768
-18	36	3.62978
-17	36	3.85857
-16	36	4.02815
-15	36	4.18806
-14	36	4.32503
-13	36	4.41802
-12	36	4.53032
-11	36	4.63042
-10	36	4.7148
-9	36	4.78882
-8	36	4.85117
-7	36	4.90393
-6	36	4.94899
-5	36	4.98272
-4	36	5.01217
-3	36	5.08047
-2	36	5.10161
-1	36	5.11693
0	36	5.12513
1	36	5.12794
2	36	5.13968
3	36	5.13962
4	36	5.13744
5	36	5.13134
6	36	5.12059
7	36	5.10198
8	36	5.06338
9	36	5.01159
10	36	5.00717
11	36	4.94644
12	36	4.84867
13	36	4.78012
14	36	4.74792

15	36	4.72235
16	36	4.65082
17	36	4.50702
18	36	4.32712
19	36	4.10534
20	36	3.94394
21	36	3.77198
22	36	3.58357
23	36	3.31467
24	36	3.14156
25	36	2.90698
26	36	2.64401
27	36	2.35079
28	36	1.97786
29	36	1.52101
30	36	1.09554
31	36	0.609357
32	36	0.00905554
33	36	-0.511412
34	36	-0.933369
35	36	-1.54324
36	36	-1.98583
37	36	-2.2786
38	36	-2.48353
39	36	-2.4972
40	36	-2.28086
41	36	-1.88666
42	36	-1.34163
43	36	-0.726626
44	36	-0.077564
45	36	0.557254
46	36	1.14851
47	36	1.69804
48	36	2.19395
49	36	2.60389
50	36	2.97009
51	36	3.25639
52	36	3.51685
53	36	3.69874
54	36	3.80295
55	36	3.81925
56	36	3.76806
57	36	3.62202
58	36	3.36509
59	36	3.00255
60	36	2.52961
61	36	1.91882
62	36	1.15055
63	36	0.192526
64	36	-1.0002
65	36	-2.68477
66	36	-5.64911
67	36	-8.31204
68	36	-7.78236
69	36	-7.63591
70	36	-6.54625
71	36	-5.05826
72	36	-3.48486
73	36	-2.04196
74	36	-0.794647
75	36	0.251582
76	36	1.10537
77	36	1.76447
78	36	2.27714
79	36	2.64082
80	36	2.86612
81	36	2.95692
82	36	2.91175
83	36	2.70929
84	36	2.39571
85	36	1.88505
86	36	1.15089
87	36	0.178495
88	36	-1.08138
89	36	-2.71973
90	36	-4.9055
91	36	-7.94314
92	36	-12.2863
93	36	-15.6938
94	36	-11.7529
95	36	-7.55145
96	36	-4.46957
97	36	-2.36833
98	36	-0.800195
99	36	0.425237
100	36	1.36535
101	36	2.07419
102	36	2.59404
103	36	2.93905
104	36	3.11549
105	36	3.1526
106	36	3.04384
107	36	2.79294
108	36	2.38761
109	36	1.82712
110	36	1.1562
111	36	0.266759

112	36	-0.776896
113	36	-1.9596
114	36	-3.33422
115	36	-4.62774
116	36	-5.66658
117	36	-5.89226
118	36	-5.05427
119	36	-3.70058
120	36	-2.32083
121	36	-0.940396
122	36	0.206176
123	36	1.17689
124	36	1.98324
125	36	2.64211
126	36	3.17206
127	36	3.57954
128	36	3.89275
129	36	4.09957
130	36	4.21443
131	36	4.24392
132	36	4.19262
133	36	4.06476
134	36	3.86175
135	36	3.56734
136	36	3.24303
137	36	2.81896
138	36	2.35014
139	36	1.80317
140	36	1.21668
141	36	0.592774
142	36	-0.0447851
143	36	-0.657883
144	36	-1.20839
145	36	-1.62747
146	36	-1.88727
147	36	-1.92711
148	36	-1.7694
149	36	-1.45771
150	36	-1.01235
151	36	-0.501287
152	36	0.0345734
153	36	0.566729
154	36	1.08086
155	36	1.56239
156	36	2.00704
157	36	2.4124
158	36	2.77356
159	36	3.12077
160	36	3.41001
161	36	3.65232
162	36	3.88525
163	36	4.08848
164	36	4.26953
165	36	4.42485
166	36	4.555
167	36	4.66956
168	36	4.76361
169	36	4.84417
170	36	4.90941
171	36	4.9648
172	36	5.00854
173	36	5.0425
174	36	5.07047
175	36	5.08718
176	36	5.10169
177	36	5.11006
178	36	5.11424
179	36	5.11267
180	36	5.10477
-180	37	5.13076
-179	37	5.10095
-178	37	5.08472
-177	37	5.06872
-176	37	5.05576
-175	37	5.04183
-174	37	5.02964
-173	37	5.01645
-172	37	5.00404
-171	37	4.98995
-170	37	4.97366
-169	37	4.95627
-168	37	4.93094
-167	37	4.90892
-166	37	4.88073
-165	37	4.84547
-164	37	4.80208
-163	37	4.75183
-162	37	4.69073
-161	37	4.61625
-160	37	4.52926
-159	37	4.42499
-158	37	4.30261
-157	37	4.16249
-156	37	3.99313
-155	37	3.8107
-154	37	3.57941
-153	37	3.32377

-152	37	3.05203
-151	37	2.73192
-150	37	2.36922
-149	37	1.9763
-148	37	1.53233
-147	37	1.05249
-146	37	0.52559
-145	37	-0.0385147
-144	37	-0.632039
-143	37	-1.22145
-142	37	-1.82246
-141	37	-2.22149
-140	37	-2.56677
-139	37	-2.68718
-138	37	-2.56821
-137	37	-2.22423
-136	37	-1.70672
-135	37	-1.07747
-134	37	-0.397943
-133	37	0.281191
-132	37	0.925694
-131	37	1.51478
-130	37	2.0425
-129	37	2.5181
-128	37	2.88202
-127	37	3.19151
-126	37	3.42265
-125	37	3.57134
-124	37	3.63424
-123	37	3.60846
-122	37	3.48506
-121	37	3.26099
-120	37	2.9257
-119	37	2.46198
-118	37	1.8594
-117	37	1.09576
-116	37	0.128046
-115	37	-1.10018
-114	37	-3.36738
-113	37	-7.60067
-112	37	-8.19181
-111	37	-8.64333
-110	37	-8.14583
-109	37	-6.70215
-108	37	-5.0158
-107	37	-3.36288
-106	37	-1.90631
-105	37	-0.671618
-104	37	0.441254
-103	37	1.19726
-102	37	1.83115
-101	37	2.29379
-100	37	2.62276
-99	37	2.7966
-98	37	2.81994
-97	37	2.68996
-96	37	2.39967
-95	37	1.97409
-94	37	1.3009
-93	37	0.395128
-92	37	-0.791999
-91	37	-2.34757
-90	37	-4.39118
-89	37	-7.27968
-88	37	-11.6858
-87	37	-16.8261
-86	37	-13.2762
-85	37	-8.39884
-84	37	-4.99926
-83	37	-2.69947
-82	37	-1.07992
-81	37	0.191096
-80	37	1.15964
-79	37	1.88838
-78	37	2.40996
-77	37	2.74294
-76	37	2.91089
-75	37	2.92271
-74	37	2.77957
-73	37	2.48479
-72	37	2.01925
-71	37	1.44023
-70	37	0.641237
-69	37	-0.331203
-68	37	-1.45133
-67	37	-2.79252
-66	37	-4.27939
-65	37	-5.66629
-64	37	-6.3136
-63	37	-5.7687
-62	37	-4.55598
-61	37	-3.05635
-60	37	-1.59029
-59	37	-0.333742
-58	37	0.741916
-57	37	1.63004
-56	37	2.34459

-55	37	2.9301
-54	37	3.38679
-53	37	3.7167
-52	37	3.9424
-51	37	4.0695
-50	37	4.10474
-49	37	4.0627
-48	37	3.93416
-47	37	3.69554
-46	37	3.36116
-45	37	2.973
-44	37	2.53995
-43	37	2.03824
-42	37	1.44624
-41	37	0.780161
-40	37	0.0750622
-39	37	-0.633367
-38	37	-1.26932
-37	37	-1.79135
-36	37	-2.12947
-35	37	-2.25303
-34	37	-2.13443
-33	37	-1.84096
-32	37	-1.38029
-31	37	-0.810734
-30	37	-0.264703
-29	37	0.375849
-28	37	0.935726
-27	37	1.4622
-26	37	1.93374
-25	37	2.33355
-24	37	2.7115
-23	37	3.05849
-22	37	3.36662
-21	37	3.64752
-20	37	3.89256
-19	37	4.09861
-18	37	4.30143
-17	37	4.46858
-16	37	4.61958
-15	37	4.73156
-14	37	4.83341
-13	37	4.90366
-12	37	4.96688
-11	37	5.02073
-10	37	5.0674
-9	37	5.1074
-8	37	5.1382
-7	37	5.15755
-6	37	5.17737
-5	37	5.18453
-4	37	5.19506
-3	37	5.19961
-2	37	5.2028
-1	37	5.20486
0	37	5.2084
1	37	5.20942
2	37	5.21356
3	37	5.2116
4	37	5.2062
5	37	5.17032
6	37	5.14422
7	37	5.11659
8	37	5.14907
9	37	5.12866
10	37	5.10935
11	37	5.10644
12	37	5.08611
13	37	5.03483
14	37	4.95773
15	37	4.86284
16	37	4.77106
17	37	4.70766
18	37	4.66218
19	37	4.58809
20	37	4.48016
21	37	4.37396
22	37	4.26487
23	37	4.07689
24	37	3.86802
25	37	3.70271
26	37	3.37611
27	37	3.06044
28	37	2.79794
29	37	2.47246
30	37	2.00914
31	37	1.52848
32	37	1.09196
33	37	0.651841
34	37	0.0737633
35	37	-0.496648
36	37	-1.10803
37	37	-1.70297
38	37	-2.20816
39	37	-2.58768
40	37	-2.76185
41	37	-2.6096

42	37	-2.37719
43	37	-1.80711
44	37	-1.20958
45	37	-0.540332
46	37	0.136442
47	37	0.800236
48	37	1.39968
49	37	1.93045
50	37	2.40318
51	37	2.81544
52	37	3.17178
53	37	3.43811
54	37	3.64737
55	37	3.77983
56	37	3.82475
57	37	3.76289
58	37	3.59941
59	37	3.33165
60	37	2.95105
61	37	2.44108
62	37	1.78356
63	37	0.944096
64	37	-0.107163
65	37	-1.42192
66	37	-3.87568
67	37	-8.68451
68	37	-9.17724
69	37	-9.22884
70	37	-8.15733
71	37	-6.35775
72	37	-4.52001
73	37	-2.84971
74	37	-1.41466
75	37	-0.226708
76	37	0.742269
77	37	1.50569
78	37	2.11518
79	37	2.55874
80	37	2.84794
81	37	2.98778
82	37	2.97898
83	37	2.79983
84	37	2.48353
85	37	2.03911
86	37	1.3501
87	37	0.430619
88	37	-0.778285
89	37	-2.36889
90	37	-4.5
91	37	-7.46671
92	37	-11.7608
93	37	-15.8283
94	37	-12.2198
95	37	-7.80923
96	37	-4.60652
97	37	-2.44606
98	37	-0.843286
99	37	0.403268
100	37	1.33793
101	37	2.04788
102	37	2.55302
103	37	2.87914
104	37	3.03355
105	37	3.0439
106	37	2.90171
107	37	2.60723
108	37	2.14882
109	37	1.57265
110	37	0.787425
111	37	-0.178996
112	37	-1.22566
113	37	-2.53836
114	37	-3.95742
115	37	-5.23081
116	37	-5.86645
117	37	-5.46998
118	37	-4.29585
119	37	-2.85328
120	37	-1.46914
121	37	-0.229768
122	37	0.809636
123	37	1.6785
124	37	2.38764
125	37	2.95516
126	37	3.39493
127	37	3.72087
128	37	3.93757
129	37	4.06227
130	37	4.09581
131	37	4.03884
132	37	3.89743
133	37	3.67325
134	37	3.36922
135	37	2.99054
136	37	2.53327
137	37	2.00939
138	37	1.43559

139	37	0.801412
140	37	0.141489
141	37	-0.515117
142	37	-1.11913
143	37	-1.6113
144	37	-1.92768
145	37	-2.01903
146	37	-1.87553
147	37	-1.52893
148	37	-1.05599
149	37	-0.49802
150	37	0.0913082
151	37	0.671425
152	37	1.22419
153	37	1.73415
154	37	2.2038
155	37	2.63248
156	37	3.01251
157	37	3.34959
158	37	3.64769
159	37	3.9087
160	37	4.13524
161	37	4.34152
162	37	4.50987
163	37	4.67052
164	37	4.77508
165	37	4.88971
166	37	4.97671
167	37	5.04465
168	37	5.09463
169	37	5.13314
170	37	5.16147
171	37	5.18201
172	37	5.19394
173	37	5.19643
174	37	5.19746
175	37	5.18791
176	37	5.17942
177	37	5.16696
178	37	5.15378
179	37	5.13697
180	37	5.13076
-180	38	4.9259
-179	38	4.90275
-178	38	4.88729
-177	38	4.86835
-176	38	4.85851
-175	38	4.8499
-174	38	4.84726
-173	38	4.84569
-172	38	4.84815
-171	38	4.85142
-170	38	4.85387
-169	38	4.85826
-168	38	4.85759
-167	38	4.85894
-166	38	4.85832
-165	38	4.84582
-164	38	4.82826
-163	38	4.81242
-162	38	4.79094
-161	38	4.75771
-160	38	4.7101
-159	38	4.64891
-158	38	4.57424
-157	38	4.4817
-156	38	4.36006
-155	38	4.23589
-154	38	4.07456
-153	38	3.8938
-152	38	3.64861
-151	38	3.39824
-150	38	3.10972
-149	38	2.77084
-148	38	2.39116
-147	38	1.96174
-146	38	1.48056
-145	38	0.94717
-144	38	0.356653
-143	38	-0.268954
-142	38	-0.92254
-141	38	-1.56364
-140	38	-2.17851
-139	38	-2.65676
-138	38	-2.93619
-137	38	-2.94741
-136	38	-2.68773
-135	38	-2.19109
-134	38	-1.53738
-133	38	-0.808716
-132	38	-0.0695883
-131	38	0.635609
-130	38	1.27943
-129	38	1.85197
-128	38	2.38009
-127	38	2.77883
-126	38	3.11214

-125	38	3.35593
-124	38	3.51193
-123	38	3.57659
-122	38	3.54405
-121	38	3.41652
-120	38	3.17826
-119	38	2.80685
-118	38	2.28981
-117	38	1.63631
-116	38	0.821083
-115	38	-0.223825
-114	38	-1.5651
-113	38	-4.30346
-112	38	-8.24988
-111	38	-9.49696
-110	38	-9.66622
-109	38	-8.35513
-108	38	-6.39506
-107	38	-4.40235
-106	38	-2.68287
-105	38	-1.25191
-104	38	-0.0707849
-103	38	0.827836
-102	38	1.64274
-101	38	2.18656
-100	38	2.57937
-99	38	2.79896
-98	38	2.862
-97	38	2.74376
-96	38	2.48142
-95	38	2.08719
-94	38	1.47293
-93	38	0.610539
-92	38	-0.534986
-91	38	-2.02091
-90	38	-4.07399
-89	38	-6.97405
-88	38	-11.2505
-87	38	-16.8656
-86	38	-13.7779
-85	38	-8.42437
-84	38	-5.08324
-83	38	-2.79982
-82	38	-1.10314
-81	38	0.18213
-80	38	1.14972
-79	38	1.87717
-78	38	2.38032
-77	38	2.70091
-76	38	2.84357
-75	38	2.82805
-74	38	2.6454
-73	38	2.30445
-72	38	1.79137
-71	38	1.16456
-70	38	0.278299
-69	38	-0.74837
-68	38	-1.98019
-67	38	-3.46381
-66	38	-4.99237
-65	38	-6.10441
-64	38	-6.19571
-63	38	-5.24136
-62	38	-3.70694
-61	38	-2.15835
-60	38	-0.849837
-59	38	0.290516
-58	38	1.2632
-57	38	2.04427
-56	38	2.67824
-55	38	3.16917
-54	38	3.52089
-53	38	3.76649
-52	38	3.91125
-51	38	3.94883
-50	38	3.89044
-49	38	3.74039
-48	38	3.50064
-47	38	3.18694
-46	38	2.79869
-45	38	2.31471
-44	38	1.7223
-43	38	1.06605
-42	38	0.384534
-41	38	-0.286655
-40	38	-0.957881
-39	38	-1.57929
-38	38	-2.06149
-37	38	-2.30375
-36	38	-2.2632
-35	38	-1.95679
-34	38	-1.44448
-33	38	-0.832866
-32	38	-0.189672
-31	38	0.487565
-30	38	1.04695
-29	38	1.58397

-28	38	2.08253
-27	38	2.50235
-26	38	2.90828
-25	38	3.27514
-24	38	3.59723
-23	38	3.88173
-22	38	4.10205
-21	38	4.3299
-20	38	4.51021
-19	38	4.65517
-18	38	4.78086
-17	38	4.88461
-16	38	4.97101
-15	38	5.05403
-14	38	5.1188
-13	38	5.15669
-12	38	5.22845
-11	38	5.20268
-10	38	5.21251
-9	38	5.21743
-8	38	5.21544
-7	38	5.20603
-6	38	5.19732
-5	38	5.18183
-4	38	5.16926
-3	38	5.15377
-2	38	5.12711
-1	38	5.12158
0	38	5.09373
1	38	5.07546
2	38	5.05787
3	38	5.03461
4	38	5.02003
5	38	4.99867
6	38	4.99103
7	38	4.99547
8	38	4.99458
9	38	5.00852
10	38	5.01696
11	38	4.98633
12	38	4.94985
13	38	4.97988
14	38	5.08816
15	38	5.07196
16	38	4.97147
17	38	4.85714
18	38	4.77705
19	38	4.73024
20	38	4.70304
21	38	4.68319
22	38	4.6697
23	38	4.57507
24	38	4.32064
25	38	4.16679
26	38	4.01715
27	38	3.82906
28	38	3.53825
29	38	3.17983
30	38	2.85739
31	38	2.50687
32	38	2.09773
33	38	1.64561
34	38	1.12875
35	38	0.534179
36	38	-0.122667
37	38	-0.743915
38	38	-1.43103
39	38	-2.05458
40	38	-2.57101
41	38	-2.87932
42	38	-2.95768
43	38	-2.76109
44	38	-2.33633
45	38	-1.73367
46	38	-1.02113
47	38	-0.308538
48	38	0.405316
49	38	1.08215
50	38	1.70635
51	38	2.2527
52	38	2.72853
53	38	3.09495
54	38	3.38431
55	38	3.59624
56	38	3.71927
57	38	3.74004
58	38	3.68604
59	38	3.53211
60	38	3.23697
61	38	2.80936
62	38	2.25087
63	38	1.5338
64	38	0.625928
65	38	-0.519038
66	38	-1.96449
67	38	-4.9572
68	38	-9.4499

69	38	-10.6286
70	38	-10.1399
71	38	-8.20162
72	38	-5.94101
73	38	-3.91407
74	38	-2.21613
75	38	-0.819616
76	38	0.308382
77	38	1.18984
78	38	1.89509
79	38	2.41891
80	38	2.77444
81	38	2.97395
82	38	3.0142
83	38	2.88664
84	38	2.60423
85	38	2.17943
86	38	1.53796
87	38	0.651487
88	38	-0.523697
89	38	-2.07643
90	38	-4.15874
91	38	-7.04715
92	38	-11.2805
93	38	-16.0696
94	38	-12.8035
95	38	-7.88751
96	38	-4.7584
97	38	-2.53936
98	38	-0.900567
99	38	0.355413
100	38	1.3025
101	38	2.00999
102	38	2.5038
103	38	2.81764
104	38	2.9531
105	38	2.92956
106	38	2.74689
107	38	2.40111
108	38	1.89268
109	38	1.29428
110	38	0.423079
111	38	-0.568869
112	38	-1.75197
113	38	-3.1575
114	38	-4.57098
115	38	-5.61518
116	38	-5.76123
117	38	-4.91166
118	38	-3.53999
119	38	-2.09454
120	38	-0.776099
121	38	0.309655
122	38	1.29291
123	38	2.06518
124	38	2.68315
125	38	3.16515
126	38	3.51734
127	38	3.7626
128	38	3.90131
129	38	3.9407
130	38	3.88447
131	38	3.73637
132	38	3.50056
133	38	3.18052
134	38	2.77653
135	38	2.29585
136	38	1.75056
137	38	1.11754
138	38	0.405079
139	38	-0.22279
140	38	-0.887561
141	38	-1.45246
142	38	-1.86058
143	38	-2.03703
144	38	-1.95904
145	38	-1.64698
146	38	-1.16257
147	38	-0.571663
148	38	0.0439955
149	38	0.67274
150	38	1.26799
151	38	1.81401
152	38	2.31131
153	38	2.7642
154	38	3.16792
155	38	3.51883
156	38	3.82914
157	38	4.09265
158	38	4.31755
159	38	4.50945
160	38	4.66903
161	38	4.80269
162	38	4.91186
163	38	4.99662
164	38	5.06789
165	38	5.17675

166	38	5.18367
167	38	5.20359
168	38	5.21352
169	38	5.20789
170	38	5.19548
171	38	5.17856
172	38	5.15548
173	38	5.12612
174	38	5.09966
175	38	5.06518
176	38	5.03631
177	38	5.00528
178	38	4.98244
179	38	4.94929
180	38	4.9259
-180	39	4.54705
-179	39	4.52274
-178	39	4.50522
-177	39	4.48527
-176	39	4.47724
-175	39	4.47458
-174	39	4.46993
-173	39	4.47715
-172	39	4.49419
-171	39	4.51314
-170	39	4.53299
-169	39	4.55847
-168	39	4.58124
-167	39	4.61069
-166	39	4.63897
-165	39	4.65433
-164	39	4.66443
-163	39	4.68359
-162	39	4.6981
-161	39	4.70467
-160	39	4.70827
-159	39	4.69159
-158	39	4.66523
-157	39	4.628
-156	39	4.56126
-155	39	4.48245
-154	39	4.37809
-153	39	4.24671
-152	39	4.09729
-151	39	3.8987
-150	39	3.66423
-149	39	3.39639
-148	39	3.08566
-147	39	2.72577
-146	39	2.31588
-145	39	1.85065
-144	39	1.32467
-143	39	0.740654
-142	39	0.145716
-141	39	-0.607471
-140	39	-1.33144
-139	39	-2.0428
-138	39	-2.66708
-137	39	-3.11455
-136	39	-3.28491
-135	39	-3.13087
-134	39	-2.67764
-133	39	-2.00845
-132	39	-1.22732
-131	39	-0.424808
-130	39	0.343686
-129	39	1.05488
-128	39	1.69606
-127	39	2.23144
-126	39	2.68474
-125	39	3.03905
-124	39	3.29728
-123	39	3.45637
-122	39	3.50748
-121	39	3.45623
-120	39	3.30765
-119	39	3.05052
-118	39	2.65667
-117	39	2.10286
-116	39	1.3736
-115	39	0.450013
-114	39	-0.710154
-113	39	-2.20488
-112	39	-4.84958
-111	39	-8.69177
-110	39	-10.418
-109	39	-10.124
-108	39	-7.98805
-107	39	-5.73206
-106	39	-3.66524
-105	39	-1.98729
-104	39	-0.60696
-103	39	0.497137
-102	39	1.34389
-101	39	1.95855
-100	39	2.44617
-99	39	2.72724

-98	39	2.86004
-97	39	2.82335
-96	39	2.59181
-95	39	2.17841
-94	39	1.60289
-93	39	0.770109
-92	39	-0.321987
-91	39	-1.82675
-90	39	-3.86734
-89	39	-6.68589
-88	39	-10.9482
-87	39	-17.0964
-86	39	-14.3397
-85	39	-8.67108
-84	39	-5.1842
-83	39	-2.97124
-82	39	-1.13021
-81	39	0.170289
-80	39	1.1483
-79	39	1.86629
-78	39	2.36408
-77	39	2.65697
-76	39	2.77995
-75	39	2.73417
-74	39	2.5152
-73	39	2.11436
-72	39	1.56974
-71	39	0.782241
-70	39	-0.16352
-69	39	-1.28187
-68	39	-2.6152
-67	39	-4.13584
-66	39	-5.54719
-65	39	-6.27489
-64	39	-5.84835
-63	39	-4.54923
-62	39	-2.97627
-61	39	-1.51559
-60	39	-0.216224
-59	39	0.857547
-58	39	1.68531
-57	39	2.36282
-56	39	2.90942
-55	39	3.3075
-54	39	3.58605
-53	39	3.75042
-52	39	3.79387
-51	39	3.73596
-50	39	3.58728
-49	39	3.33949
-48	39	2.99817
-47	39	2.56672
-46	39	2.0389
-45	39	1.42058
-44	39	0.779143
-43	39	0.0869008
-42	39	-0.637295
-41	39	-1.30285
-40	39	-1.85731
-39	39	-2.17238
-38	39	-2.21223
-37	39	-2.01596
-36	39	-1.60237
-35	39	-0.974506
-34	39	-0.346978
-33	39	0.305809
-32	39	0.950631
-31	39	1.55844
-30	39	2.11251
-29	39	2.57423
-28	39	3.00446
-27	39	3.37974
-26	39	3.70805
-25	39	3.99024
-24	39	4.23194
-23	39	4.44628
-22	39	4.62015
-21	39	4.76461
-20	39	4.88495
-19	39	5.0017
-18	39	5.05518
-17	39	5.10652
-16	39	5.14782
-15	39	5.18155
-14	39	5.20692
-13	39	5.20321
-12	39	5.19263
-11	39	5.17184
-10	39	5.17224
-9	39	5.12622
-8	39	5.09154
-7	39	5.05043
-6	39	5.01485
-5	39	4.96584
-4	39	4.93014
-3	39	4.88871
-2	39	4.83976

-1	39	4.80718
0	39	4.77694
1	39	4.75445
2	39	4.7438
3	39	4.72929
4	39	4.74043
5	39	4.75788
6	39	4.77172
7	39	4.79714
8	39	4.82919
9	39	4.82883
10	39	4.87045
11	39	4.96442
12	39	4.96484
13	39	4.81655
14	39	4.66206
15	39	4.66157
16	39	4.78478
17	39	4.88114
18	39	4.88865
19	39	4.93665
20	39	4.95122
21	39	4.8804
22	39	4.70633
23	39	4.56854
24	39	4.55558
25	39	4.54528
26	39	4.46118
27	39	4.30846
28	39	4.14501
29	39	3.88417
30	39	3.62791
31	39	3.31704
32	39	2.95803
33	39	2.52852
34	39	2.05504
35	39	1.55727
36	39	0.979289
37	39	0.342875
38	39	-0.337
39	39	-1.03653
40	39	-1.75679
41	39	-2.41785
42	39	-2.9355
43	39	-3.23156
44	39	-3.23139
45	39	-2.90374
46	39	-2.30587
47	39	-1.5471
48	39	-0.730544
49	39	0.0777043
50	39	0.824877
51	39	1.52084
52	39	2.10485
53	39	2.6128
54	39	3.02752
55	39	3.34893
56	39	3.56316
57	39	3.7006
58	39	3.73185
59	39	3.63022
60	39	3.41663
61	39	3.11728
62	39	2.67039
63	39	2.05402
64	39	1.26688
65	39	0.262327
66	39	-1.00341
67	39	-2.63719
68	39	-5.55842
69	39	-9.89584
70	39	-11.5162
71	39	-10.3665
72	39	-7.72943
73	39	-5.27313
74	39	-3.21545
75	39	-1.55827
76	39	-0.239276
77	39	0.805724
78	39	1.60585
79	39	2.22248
80	39	2.65469
81	39	2.91561
82	39	3.0119
83	39	2.94039
84	39	2.68735
85	39	2.28084
86	39	1.67413
87	39	0.821521
88	39	-0.319905
89	39	-1.83586
90	39	-3.86816
91	39	-6.70548
92	39	-10.9195
93	39	-16.2326
94	39	-13.2927
95	39	-8.15496

96	39	-4.91057
97	39	-2.63659
98	39	-0.940466
99	39	0.331238
100	39	1.27764
101	39	1.97722
102	39	2.45805
103	39	2.73858
104	39	2.85394
105	39	2.80203
106	39	2.5835
107	39	2.21346
108	39	1.67381
109	39	0.920096
110	39	0.0104188
111	39	-1.06639
112	39	-2.34079
113	39	-3.79333
114	39	-5.12656
115	39	-5.83552
116	39	-5.49019
117	39	-4.30882
118	39	-2.8444
119	39	-1.43577
120	39	-0.202058
121	39	0.821593
122	39	1.6864
123	39	2.3577
124	39	2.89309
125	39	3.29457
126	39	3.5725
127	39	3.73455
128	39	3.78953
129	39	3.74312
130	39	3.59813
131	39	3.35835
132	39	3.02784
133	39	2.6098
134	39	2.10569
135	39	1.52645
136	39	0.870987
137	39	0.187973
138	39	-0.501408
139	39	-1.14842
140	39	-1.66288
141	39	-1.95177
142	39	-1.98916
143	39	-1.75862
144	39	-1.31108
145	39	-0.730699
146	39	-0.0838512
147	39	0.570476
148	39	1.20268
149	39	1.79545
150	39	2.32173
151	39	2.8019
152	39	3.22764
153	39	3.59998
154	39	3.92078
155	39	4.19619
156	39	4.42866
157	39	4.62902
158	39	4.78696
159	39	4.91206
160	39	5.00823
161	39	5.07554
162	39	5.12126
163	39	5.14547
164	39	5.15725
165	39	5.16902
166	39	5.1763
167	39	5.14688
168	39	5.10748
169	39	5.05959
170	39	5.01108
171	39	4.96276
172	39	4.90893
173	39	4.85302
174	39	4.80325
175	39	4.71469
176	39	4.70017
177	39	4.65614
178	39	4.61344
179	39	4.57457
180	39	4.54705
-180	40	3.9338
-179	40	3.90571
-178	40	3.88518
-177	40	3.86351
-176	40	3.85821
-175	40	3.86293
-174	40	3.87796
-173	40	3.89892
-172	40	3.93194
-171	40	3.97123
-170	40	4.01421
-169	40	4.06015

-168	40	4.11438
-167	40	4.17492
-166	40	4.23456
-165	40	4.27996
-164	40	4.32415
-163	40	4.38685
-162	40	4.44294
-161	40	4.49845
-160	40	4.53747
-159	40	4.57288
-158	40	4.59918
-157	40	4.61321
-156	40	4.61435
-155	40	4.58955
-154	40	4.55827
-153	40	4.4783
-152	40	4.39105
-151	40	4.27779
-150	40	4.12908
-149	40	3.93564
-148	40	3.68156
-147	40	3.39456
-146	40	3.05431
-145	40	2.65823
-144	40	2.20053
-143	40	1.68229
-142	40	1.168
-141	40	0.41394
-140	40	-0.310272
-139	40	-1.09666
-138	40	-1.91039
-137	40	-2.67841
-136	40	-3.29167
-135	40	-3.62536
-134	40	-3.57563
-133	40	-3.14553
-132	40	-2.44887
-131	40	-1.61564
-130	40	-0.750725
-129	40	0.0828052
-128	40	0.849247
-127	40	1.51418
-126	40	2.10186
-125	40	2.57545
-124	40	2.95273
-123	40	3.22559
-122	40	3.39441
-121	40	3.45619
-120	40	3.39768
-119	40	3.21101
-118	40	2.89979
-117	40	2.45079
-116	40	1.83379
-115	40	1.02726
-114	40	-0.0058608
-113	40	-1.32621
-112	40	-3.02763
-111	40	-5.6476
-110	40	-9.56141
-109	40	-11.2039
-108	40	-10.0021
-107	40	-7.40883
-106	40	-4.87916
-105	40	-2.84211
-104	40	-1.26615
-103	40	0.0285881
-102	40	0.97702
-101	40	1.74386
-100	40	2.30734
-99	40	2.64045
-98	40	2.8159
-97	40	2.80912
-96	40	2.61352
-95	40	2.25792
-94	40	1.7158
-93	40	0.9288
-92	40	-0.189708
-91	40	-1.68178
-90	40	-3.65856
-89	40	-6.44381
-88	40	-10.6959
-87	40	-17.2943
-86	40	-14.4204
-85	40	-8.8229
-84	40	-5.30851
-83	40	-2.89563
-82	40	-1.12974
-81	40	0.176112
-80	40	1.14828
-79	40	1.85842
-78	40	2.34038
-77	40	2.609
-76	40	2.69942
-75	40	2.60723
-74	40	2.33561
-73	40	1.88875
-72	40	1.26398

-71	40	0.444472
-70	40	-0.54885
-69	40	-1.77067
-68	40	-3.24345
-67	40	-4.80898
-66	40	-6.04229
-65	40	-6.26878
-64	40	-5.33957
-63	40	-3.82379
-62	40	-2.27593
-61	40	-0.895213
-60	40	0.281096
-59	40	1.2375
-58	40	2.03115
-57	40	2.65259
-56	40	3.07786
-55	40	3.37357
-54	40	3.56893
-53	40	3.63949
-52	40	3.5993
-51	40	3.46555
-50	40	3.22016
-49	40	2.85562
-48	40	2.42779
-47	40	1.85419
-46	40	1.23719
-45	40	0.55082
-44	40	-0.187211
-43	40	-0.929701
-42	40	-1.5634
-41	40	-2.00498
-40	40	-2.21447
-39	40	-2.1515
-38	40	-1.70843
-37	40	-1.16274
-36	40	-0.507525
-35	40	0.164262
-34	40	0.818337
-33	40	1.43488
-32	40	2.00613
-31	40	2.49118
-30	40	2.95551
-29	40	3.36618
-28	40	3.72613
-27	40	4.04591
-26	40	4.32917
-25	40	4.54082
-24	40	4.72398
-23	40	4.8655
-22	40	4.96896
-21	40	5.04403
-20	40	5.09541
-19	40	5.11885
-18	40	5.13126
-17	40	5.12223
-16	40	5.09867
-15	40	5.08035
-14	40	5.05375
-13	40	5.00113
-12	40	4.94184
-11	40	4.87865
-10	40	4.80616
-9	40	4.7337
-8	40	4.67566
-7	40	4.58763
-6	40	4.51341
-5	40	4.44715
-4	40	4.37896
-3	40	4.32232
-2	40	4.2781
-1	40	4.24502
0	40	4.23974
1	40	4.24265
2	40	4.25999
3	40	4.27687
4	40	4.30123
5	40	4.33164
6	40	4.34647
7	40	4.34956
8	40	4.36593
9	40	4.3403
10	40	4.17263
11	40	3.96063
12	40	3.91869
13	40	4.101
14	40	4.31389
15	40	4.37766
16	40	4.41093
17	40	4.5694
18	40	4.81993
19	40	4.88823
20	40	4.73575
21	40	4.60056
22	40	4.69047
23	40	4.78556
24	40	4.77905
25	40	4.71747

26	40	4.66691
27	40	4.58986
28	40	4.46333
29	40	4.30716
30	40	4.1276
31	40	3.88608
32	40	3.53936
33	40	3.25291
34	40	2.88794
35	40	2.45037
36	40	1.95037
37	40	1.40076
38	40	0.78939
39	40	0.108752
40	40	-0.636037
41	40	-1.44768
42	40	-2.29453
43	40	-2.98412
44	40	-3.51603
45	40	-3.63624
46	40	-3.38951
47	40	-2.8174
48	40	-2.02454
49	40	-1.13646
50	40	-0.283864
51	40	0.568897
52	40	1.29441
53	40	1.96318
54	40	2.49385
55	40	2.92917
56	40	3.26062
57	40	3.49605
58	40	3.62014
59	40	3.64551
60	40	3.56535
61	40	3.34749
62	40	2.97359
63	40	2.46543
64	40	1.79615
65	40	0.933892
66	40	-0.185859
67	40	-1.6171
68	40	-3.46659
69	40	-6.36985
70	40	-10.7444
71	40	-12.0358
72	40	-9.93291
73	40	-6.99219
74	40	-4.45315
75	40	-2.45924
76	40	-0.897367
77	40	0.32358
78	40	1.25194
79	40	1.9685
80	40	2.48198
81	40	2.80886
82	40	2.95892
83	40	2.93714
84	40	2.72262
85	40	2.33598
86	40	1.76569
87	40	0.941111
88	40	-0.170173
89	40	-1.65637
90	40	-3.6641
91	40	-6.47856
92	40	-10.7123
93	40	-16.6084
94	40	-13.5308
95	40	-8.40995
96	40	-5.02599
97	40	-2.69269
98	40	-0.986271
99	40	0.305671
100	40	1.26041
101	40	1.95751
102	40	2.42911
103	40	2.69159
104	40	2.78109
105	40	2.70439
106	40	2.42882
107	40	1.99977
108	40	1.38733
109	40	0.592759
110	40	-0.370459
111	40	-1.5369
112	40	-2.95134
113	40	-4.42744
114	40	-5.59264
115	40	-5.87303
116	40	-5.07463
117	40	-3.68099
118	40	-2.19588
119	40	-0.848733
120	40	0.297438
121	40	1.22999
122	40	1.98936

123	40	2.59992
124	40	3.05539
125	40	3.37518
126	40	3.56941
127	40	3.64923
128	40	3.62002
129	40	3.48648
130	40	3.25171
131	40	2.91749
132	40	2.48974
133	40	1.976
134	40	1.38242
135	40	0.731992
136	40	0.0306567
137	40	-0.659007
138	40	-1.26638
139	40	-1.70862
140	40	-1.90906
141	40	-1.93125
142	40	-1.48787
143	40	-0.944313
144	40	-0.299782
145	40	0.373425
146	40	1.0395
147	40	1.66379
148	40	2.24085
149	40	2.75141
150	40	3.20391
151	40	3.60529
152	40	3.94005
153	40	4.23005
154	40	4.47144
155	40	4.6713
156	40	4.83457
157	40	4.96114
158	40	5.05043
159	40	5.11142
160	40	5.14469
161	40	5.15557
162	40	5.14069
163	40	5.10872
164	40	5.05917
165	40	5.01774
166	40	4.97049
167	40	4.90331
168	40	4.83437
169	40	4.7537
170	40	4.6681
171	40	4.58169
172	40	4.49451
173	40	4.3707
174	40	4.31601
175	40	4.24369
176	40	4.15566
177	40	4.08766
178	40	4.02571
179	40	3.97105
180	40	3.9338
-180	41	3.16358
-179	41	3.13456
-178	41	3.2006
-177	41	3.17944
-176	41	3.17694
-175	41	3.18739
-174	41	3.20981
-173	41	3.23996
-172	41	3.28344
-171	41	3.33584
-170	41	3.39554
-169	41	3.45963
-168	41	3.53622
-167	41	3.62136
-166	41	3.71108
-165	41	3.78757
-164	41	3.8697
-163	41	3.91523
-162	41	4.01538
-161	41	4.11045
-160	41	4.20603
-159	41	4.2914
-158	41	4.37029
-157	41	4.4324
-156	41	4.48603
-155	41	4.53313
-154	41	4.54085
-153	41	4.54679
-152	41	4.51463
-151	41	4.46486
-150	41	4.38072
-149	41	4.2623
-148	41	4.10339
-147	41	3.90143
-146	41	3.63044
-145	41	3.32787
-144	41	2.9606
-143	41	2.52929
-142	41	2.10184

-141	41	1.43249
-140	41	0.769034
-139	41	0.02482
-138	41	-0.794284
-137	41	-1.67246
-136	41	-2.54965
-135	41	-3.32374
-134	41	-3.84666
-133	41	-3.96285
-132	41	-3.62934
-131	41	-2.93093
-130	41	-2.04179
-129	41	-1.10695
-128	41	-0.192766
-127	41	0.6508
-126	41	1.41258
-125	41	1.99816
-124	41	2.51096
-123	41	2.90467
-122	41	3.17327
-121	41	3.33311
-120	41	3.37886
-119	41	3.29702
-118	41	3.08389
-117	41	2.72702
-116	41	2.20612
-115	41	1.50344
-114	41	0.588987
-113	41	-0.585341
-112	41	-2.10434
-111	41	-3.66169
-110	41	-7.70903
-109	41	-10.571
-108	41	-11.5562
-107	41	-9.2639
-106	41	-6.36448
-105	41	-3.91601
-104	41	-1.99816
-103	41	-0.53376
-102	41	0.618833
-101	41	1.46963
-100	41	2.07277
-99	41	2.50114
-98	41	2.7528
-97	41	2.79435
-96	41	2.64268
-95	41	2.30747
-94	41	1.76146
-93	41	0.981945
-92	41	-0.0985725
-91	41	-1.53269
-90	41	-3.50201
-89	41	-6.29718
-88	41	-10.5975
-87	41	-17.4261
-86	41	-14.9295
-85	41	-8.935
-84	41	-5.36263
-83	41	-2.89717
-82	41	-1.12263
-81	41	0.18983
-80	41	1.1535
-79	41	1.83829
-78	41	2.2879
-77	41	2.5409
-76	41	2.6025
-75	41	2.48082
-74	41	2.17213
-73	41	1.67205
-72	41	0.969291
-71	41	0.0991032
-70	41	-0.980358
-69	41	-2.34371
-68	41	-3.89837
-67	41	-5.40226
-66	41	-6.3078
-65	41	-6.0109
-64	41	-4.728
-63	41	-3.12299
-62	41	-1.61753
-61	41	-0.322802
-60	41	0.740594
-59	41	1.59935
-58	41	2.2849
-57	41	2.79566
-56	41	3.17606
-55	41	3.45785
-54	41	3.5185
-53	41	3.4785
-52	41	3.3513
-51	41	3.11556
-50	41	2.74325
-49	41	2.30317
-48	41	1.7636
-47	41	1.12779
-46	41	0.425941
-45	41	-0.30963

-44	41	-1.02585
-43	41	-1.62699
-42	41	-1.89224
-41	41	-2.01386
-40	41	-1.82114
-39	41	-1.35502
-38	41	-0.732107
-37	41	-0.0634655
-36	41	0.610441
-35	41	1.26843
-34	41	1.89059
-33	41	2.4178
-32	41	2.9224
-31	41	3.36292
-30	41	3.72998
-29	41	4.04913
-28	41	4.32288
-27	41	4.54911
-26	41	4.7364
-25	41	4.88259
-24	41	5.01715
-23	41	5.07888
-22	41	5.136
-21	41	5.16045
-20	41	5.17702
-19	41	5.13636
-18	41	5.09175
-17	41	5.02926
-16	41	4.95325
-15	41	4.87406
-14	41	4.78786
-13	41	4.67543
-12	41	4.56771
-11	41	4.44783
-10	41	4.32859
-9	41	4.21699
-8	41	4.11012
-7	41	4.00599
-6	41	3.92619
-5	41	3.84205
-4	41	3.77793
-3	41	3.73031
-2	41	3.695
-1	41	3.66884
0	41	3.66164
1	41	3.65572
2	41	3.65396
3	41	3.63444
4	41	3.61665
5	41	3.6455
6	41	3.65342
7	41	3.54133
8	41	3.39079
9	41	3.33271
10	41	3.42542
11	41	3.63026
12	41	3.83246
13	41	3.95661
14	41	4.14649
15	41	4.44644
16	41	4.73934
17	41	4.75315
18	41	4.53163
19	41	4.35446
20	41	4.41604
21	41	4.55454
22	41	4.62108
23	41	4.66683
24	41	4.72253
25	41	4.74318
26	41	4.805
27	41	4.73775
28	41	4.67427
29	41	4.55263
30	41	4.44531
31	41	4.2755
32	41	4.06588
33	41	3.82142
34	41	3.56999
35	41	3.23155
36	41	2.82855
37	41	2.35569
38	41	1.80734
39	41	1.18467
40	41	0.483433
41	41	-0.295522
42	41	-1.15285
43	41	-2.0694
44	41	-2.94016
45	41	-3.62595
46	41	-3.97683
47	41	-3.87683
48	41	-3.33445
49	41	-2.48665
50	41	-1.58788
51	41	-0.563828
52	41	0.323583

53	41	1.1058
54	41	1.79738
55	41	2.37257
56	41	2.82602
57	41	3.18713
58	41	3.41984
59	41	3.54476
60	41	3.54721
61	41	3.42873
62	41	3.17878
63	41	2.76429
64	41	2.21517
65	41	1.47783
66	41	0.495471
67	41	-0.744407
68	41	-2.36655
69	41	-4.08839
70	41	-8.55392
71	41	-11.6406
72	41	-11.9534
73	41	-8.98241
74	41	-5.95735
75	41	-3.53064
76	41	-1.67516
77	41	-0.246774
78	41	0.85046
79	41	1.66481
80	41	2.26577
81	41	2.66315
82	41	2.87013
83	41	2.89345
84	41	2.73531
85	41	2.37133
86	41	1.8089
87	41	1.01958
88	41	-0.0671365
89	41	-1.52704
90	41	-3.51129
91	41	-6.31234
92	41	-10.5723
93	41	-16.9846
94	41	-14.0217
95	41	-8.58016
96	41	-5.1112
97	41	-2.71804
98	41	-0.951714
99	41	0.299268
100	41	1.24781
101	41	1.9325
102	41	2.3899
103	41	2.65909
104	41	2.70257
105	41	2.59501
106	41	2.28883
107	41	1.79732
108	41	1.11253
109	41	0.26653
110	41	-0.775552
111	41	-2.09213
112	41	-3.58172
113	41	-5.02852
114	41	-5.9267
115	41	-5.72767
116	41	-4.56663
117	41	-3.05226
118	41	-1.58768
119	41	-0.334402
120	41	0.728281
121	41	1.5907
122	41	2.23402
123	41	2.7903
124	41	3.16575
125	41	3.40851
126	41	3.52692
127	41	3.52614
128	41	3.41314
129	41	3.19212
130	41	2.86856
131	41	2.44718
132	41	1.93266
133	41	1.33468
134	41	0.68856
135	41	-0.018804
136	41	-0.689267
137	41	-1.26117
138	41	-1.64389
139	41	-1.76583
140	41	-1.59364
141	41	-1.17008
142	41	-0.567268
143	41	0.10736
144	41	0.774301
145	41	1.43541
146	41	2.05149
147	41	2.60342
148	41	3.09893
149	41	3.53008

150	41	3.90055
151	41	4.21087
152	41	4.46985
153	41	4.67973
154	41	4.84499
155	41	4.96803
156	41	5.054
157	41	5.10968
158	41	5.13364
159	41	5.12588
160	41	5.09474
161	41	5.04117
162	41	4.97064
163	41	4.88365
164	41	4.78548
165	41	4.68582
166	41	4.58054
167	41	4.45344
168	41	4.33098
169	41	4.21169
170	41	4.08752
171	41	3.97852
172	41	3.84485
173	41	3.73411
174	41	3.62295
175	41	3.52383
176	41	3.42806
177	41	3.34525
178	41	3.27137
179	41	3.20667
180	41	3.16358
-180	42	2.40327
-179	42	2.36941
-178	42	2.34006
-177	42	2.32535
-176	42	2.32228
-175	42	2.33452
-174	42	2.3614
-173	42	2.39731
-172	42	2.44686
-171	42	2.50771
-170	42	2.57911
-169	42	2.6652
-168	42	2.76311
-167	42	2.87254
-166	42	2.99128
-165	42	3.105
-164	42	3.22822
-163	42	3.36497
-162	42	3.50251
-161	42	3.63452
-160	42	3.77127
-159	42	3.90125
-158	42	4.02729
-157	42	4.14502
-156	42	4.25257
-155	42	4.33975
-154	42	4.38609
-153	42	4.45647
-152	42	4.48598
-151	42	4.50379
-150	42	4.48979
-149	42	4.44452
-148	42	4.36189
-147	42	4.23467
-146	42	4.06503
-145	42	3.84767
-144	42	3.54851
-143	42	3.20757
-142	42	2.85503
-141	42	2.31349
-140	42	1.74498
-139	42	1.08512
-138	42	0.331097
-137	42	-0.521918
-136	42	-1.45893
-135	42	-2.43237
-134	42	-3.34166
-133	42	-4.03137
-132	42	-4.30752
-131	42	-4.0438
-130	42	-3.32858
-129	42	-2.39672
-128	42	-1.40375
-127	42	-0.416231
-126	42	0.460346
-125	42	1.22975
-124	42	1.86713
-123	42	2.3879
-122	42	2.78478
-121	42	3.05978
-120	42	3.21677
-119	42	3.24524
-118	42	3.14237
-117	42	2.89642
-116	42	2.49362
-115	42	1.91096

-114	42	1.12257
-113	42	0.0878867
-112	42	-1.26027
-111	42	-3.02507
-110	42	-4.68432
-109	42	-8.69285
-108	42	-11.6386
-107	42	-11.1403
-106	42	-8.0612
-105	42	-5.14289
-104	42	-2.88762
-103	42	-1.19955
-102	42	0.139382
-101	42	1.09193
-100	42	1.82919
-99	42	2.34371
-98	42	2.61691
-97	42	2.71219
-96	42	2.62761
-95	42	2.3319
-94	42	1.77812
-93	42	1.05556
-92	42	-0.0317865
-91	42	-1.46335
-90	42	-3.43115
-89	42	-6.25885
-88	42	-10.5288
-87	42	-17.5448
-86	42	-15.2945
-85	42	-9.12813
-84	42	-5.39645
-83	42	-2.8966
-82	42	-1.1119
-81	42	0.198567
-80	42	1.15671
-79	42	1.83772
-78	42	2.27385
-77	42	2.49968
-76	42	2.52736
-75	42	2.35881
-74	42	1.98499
-73	42	1.40967
-72	42	0.651681
-71	42	-0.29886
-70	42	-1.47441
-69	42	-2.93806
-68	42	-4.55511
-67	42	-5.94962
-66	42	-6.42516
-65	42	-5.61807
-64	42	-4.09112
-63	42	-2.47609
-62	42	-1.04212
-61	42	0.192538
-60	42	1.13484
-59	42	1.91159
-58	42	2.50144
-57	42	2.92837
-56	42	3.21907
-55	42	3.36651
-54	42	3.39033
-53	42	3.31394
-52	42	3.06978
-51	42	2.71071
-50	42	2.26884
-49	42	1.74129
-48	42	1.10879
-47	42	0.415088
-46	42	-0.299744
-45	42	-0.992879
-44	42	-1.4404
-43	42	-1.7593
-42	42	-1.79043
-41	42	-1.51711
-40	42	-1.00269
-39	42	-0.357025
-38	42	0.331256
-37	42	1.02794
-36	42	1.69795
-35	42	2.2612
-34	42	2.79207
-33	42	3.25428
-32	42	3.65814
-31	42	3.99716
-30	42	4.29806
-29	42	4.54991
-28	42	4.74913
-27	42	4.90285
-26	42	5.01064
-25	42	5.07709
-24	42	5.11759
-23	42	5.12611
-22	42	5.10379
-21	42	5.05736
-20	42	4.98823
-19	42	4.90713
-18	42	4.80631

-17	42	4.69101
-16	42	4.56283
-15	42	4.43285
-14	42	4.26261
-13	42	4.16875
-12	42	4.03248
-11	42	3.90368
-10	42	3.77793
-9	42	3.65947
-8	42	3.54944
-7	42	3.44798
-6	42	3.35565
-5	42	3.2716
-4	42	3.20251
-3	42	3.12491
-2	42	3.06189
-1	42	2.99584
0	42	2.9363
1	42	2.88053
2	42	2.79208
3	42	2.81805
4	42	2.86659
5	42	2.79198
6	42	2.78621
7	42	2.89418
8	42	2.93801
9	42	2.99071
10	42	3.1236
11	42	3.27818
12	42	3.51141
13	42	3.8528
14	42	4.12371
15	42	4.07637
16	42	3.88037
17	42	3.75291
18	42	3.84686
19	42	4.00049
20	42	4.10735
21	42	4.21407
22	42	4.337
23	42	4.43884
24	42	4.52063
25	42	4.59347
26	42	4.68014
27	42	4.69614
28	42	4.69599
29	42	4.66839
30	42	4.627
31	42	4.53944
32	42	4.4126
33	42	4.24023
34	42	4.02868
35	42	3.77184
36	42	3.49633
37	42	3.12441
38	42	2.68051
39	42	2.15798
40	42	1.54777
41	42	0.845608
42	42	0.053459
43	42	-0.847627
44	42	-1.84601
45	42	-2.87111
46	42	-3.75974
47	42	-4.29418
48	42	-4.30945
49	42	-3.81559
50	42	-2.96325
51	42	-1.94059
52	42	-0.893963
53	42	0.0616496
54	42	0.933774
55	42	1.67038
56	42	2.23896
57	42	2.74667
58	42	3.10985
59	42	3.3416
60	42	3.44949
61	42	3.44029
62	42	3.29248
63	42	2.98553
64	42	2.52958
65	42	1.86649
66	42	1.02434
67	42	-0.0377234
68	42	-1.457
69	42	-3.32958
70	42	-5.13518
71	42	-9.41241
72	42	-12.3642
73	42	-11.1479
74	42	-7.69713
75	42	-4.78189
76	42	-2.5734
77	42	-0.903348
78	42	0.368439
79	42	1.30645

80	42	2.00386
81	42	2.47803
82	42	2.74593
83	42	2.82249
84	42	2.70751
85	42	2.38121
86	42	1.84913
87	42	1.07601
88	42	0.00165304
89	42	-1.44417
90	42	-3.42275
91	42	-6.23105
92	42	-10.5604
93	42	-17.0082
94	42	-14.4697
95	42	-8.71722
96	42	-5.14838
97	42	-2.72219
98	42	-0.985668
99	42	0.307785
100	42	1.25656
101	42	1.92674
102	42	2.31417
103	42	2.5924
104	42	2.61948
105	42	2.45777
106	42	2.09741
107	42	1.53902
108	42	0.813908
109	42	-0.103548
110	42	-1.24453
111	42	-2.66692
112	42	-4.21746
113	42	-5.5599
114	42	-6.11185
115	42	-5.4283
116	42	-3.99259
117	42	-2.44476
118	42	-1.05591
119	42	0.124874
120	42	1.12576
121	42	1.9071
122	42	2.50472
123	42	2.95147
124	42	3.24435
125	42	3.40722
126	42	3.44449
127	42	3.36374
128	42	3.16871
129	42	2.86406
130	42	2.45744
131	42	1.95615
132	42	1.36803
133	42	0.715455
134	42	0.0244608
135	42	-0.62936
136	42	-1.17486
137	42	-1.51543
138	42	-1.58173
139	42	-1.35542
140	42	-0.888329
141	42	-0.266033
142	42	0.415512
143	42	1.10203
144	42	1.7345
145	42	2.35155
146	42	2.88326
147	42	3.35069
148	42	3.75936
149	42	4.1026
150	42	4.39867
151	42	4.63084
152	42	4.81723
153	42	4.9504
154	42	5.03995
155	42	5.08885
156	42	5.10878
157	42	5.0942
158	42	5.05103
159	42	4.98008
160	42	4.88518
161	42	4.77417
162	42	4.64703
163	42	4.50607
164	42	4.35425
165	42	4.20024
166	42	4.03318
167	42	3.86673
168	42	3.69884
169	42	3.52948
170	42	3.37484
171	42	3.22842
172	42	3.08485
173	42	3.10548
174	42	2.92264
175	42	2.80628
176	42	2.69636

177	42	2.60284
178	42	2.52135
179	42	2.45207
180	42	2.40327
-180	43	1.59624
-179	43	1.55662
-178	43	1.52519
-177	43	1.5096
-176	43	1.50318
-175	43	1.50969
-174	43	1.52977
-173	43	1.5611
-172	43	1.60507
-171	43	1.66181
-170	43	1.73803
-169	43	1.83105
-168	43	1.93583
-167	43	2.0554
-166	43	2.18729
-165	43	2.32897
-164	43	2.48143
-163	43	2.64227
-162	43	2.80537
-161	43	2.97969
-160	43	3.15883
-159	43	3.33703
-158	43	3.50669
-157	43	3.67733
-156	43	3.85442
-155	43	3.98342
-154	43	4.11555
-153	43	4.24189
-152	43	4.33856
-151	43	4.41835
-150	43	4.47032
-149	43	4.49407
-148	43	4.47749
-147	43	4.43717
-146	43	4.35083
-145	43	4.21494
-144	43	4.02755
-143	43	3.77762
-142	43	3.45189
-141	43	3.04094
-140	43	2.57487
-139	43	2.02242
-138	43	1.38191
-137	43	0.632845
-136	43	-0.234233
-135	43	-1.19699
-134	43	-2.22022
-133	43	-3.2305
-132	43	-4.05234
-131	43	-4.46349
-130	43	-4.29907
-129	43	-3.61207
-128	43	-2.65133
-127	43	-1.6025
-126	43	-0.572243
-125	43	0.403189
-124	43	1.15247
-123	43	1.81398
-122	43	2.33773
-121	43	2.72365
-120	43	2.97962
-119	43	3.10416
-118	43	3.09277
-117	43	2.94033
-116	43	2.63201
-115	43	2.14659
-114	43	1.46435
-113	43	0.552514
-112	43	-0.642365
-111	43	-2.20399
-110	43	-4.2678
-109	43	-5.1939
-108	43	-9.52001
-107	43	-11.6774
-106	43	-9.74295
-105	43	-6.52842
-104	43	-3.90942
-103	43	-1.92227
-102	43	-0.450408
-101	43	0.687357
-100	43	1.5399
-99	43	2.11235
-98	43	2.47621
-97	43	2.63445
-96	43	2.57864
-95	43	2.28607
-94	43	1.7854
-93	43	1.05235
-92	43	-0.0457663
-91	43	-1.382
-90	43	-3.37549
-89	43	-6.14929
-88	43	-10.5295

-87	43	-17.8777
-86	43	-15.8129
-85	43	-9.13702
-84	43	-5.34038
-83	43	-2.82314
-82	43	-1.03835
-81	43	0.261577
-80	43	1.20257
-79	43	1.85515
-78	43	2.26201
-77	43	2.45824
-76	43	2.44995
-75	43	2.24327
-74	43	1.79025
-73	43	1.17123
-72	43	0.364316
-71	43	-0.664668
-70	43	-1.99449
-69	43	-3.56126
-68	43	-5.19432
-67	43	-6.36176
-66	43	-6.27435
-65	43	-5.0998
-64	43	-3.45224
-63	43	-1.86543
-62	43	-0.50527
-61	43	0.608569
-60	43	1.49209
-59	43	2.18171
-58	43	2.69419
-57	43	3.04546
-56	43	3.24978
-55	43	3.31465
-54	43	3.23526
-53	43	3.06042
-52	43	2.76108
-51	43	2.37253
-50	43	1.87451
-49	43	1.24049
-48	43	0.53692
-47	43	-0.076219
-46	43	-0.725896
-45	43	-1.26226
-44	43	-1.55511
-43	43	-1.54641
-42	43	-1.24935
-41	43	-0.720728
-40	43	-0.0587602
-39	43	0.635387
-38	43	1.32756
-37	43	1.94392
-36	43	2.54259
-35	43	3.03223
-34	43	3.49354
-33	43	3.88269
-32	43	4.20612
-31	43	4.47681
-30	43	4.68884
-29	43	4.85025
-28	43	4.96069
-27	43	5.03394
-26	43	5.07307
-25	43	5.08514
-24	43	5.06289
-23	43	5.01683
-22	43	4.94094
-21	43	4.84112
-20	43	4.71611
-19	43	4.57652
-18	43	4.41986
-17	43	4.25168
-16	43	4.06408
-15	43	3.89347
-14	43	3.71503
-13	43	3.54016
-12	43	3.37072
-11	43	3.21255
-10	43	3.06371
-9	43	2.92625
-8	43	2.80236
-7	43	2.68888
-6	43	2.58003
-5	43	2.48262
-4	43	2.38289
-3	43	2.30462
-2	43	2.21778
-1	43	2.17547
0	43	2.09562
1	43	2.0991
2	43	2.24232
3	43	2.24203
4	43	2.25243
5	43	2.35318
6	43	2.26408
7	43	2.12804
8	43	2.17532
9	43	2.26324

10	43	2.37758
11	43	2.62065
12	43	2.80866
13	43	2.73147
14	43	2.63401
15	43	2.66431
16	43	2.86036
17	43	3.1058
18	43	3.21709
19	43	3.37125
20	43	3.53983
21	43	3.71082
22	43	3.85939
23	43	4.00844
24	43	4.14893
25	43	4.27779
26	43	4.39392
27	43	4.55723
28	43	4.56638
29	43	4.62372
30	43	4.65026
31	43	4.64303
32	43	4.59488
33	43	4.50246
34	43	4.3677
35	43	4.1926
36	43	3.97084
37	43	3.68821
38	43	3.37859
39	43	2.96433
40	43	2.4695
41	43	1.87533
42	43	1.18115
43	43	0.380332
44	43	-0.530152
45	43	-1.54351
46	43	-2.60916
47	43	-3.60967
48	43	-4.33132
49	43	-4.56219
50	43	-4.2028
51	43	-3.35873
52	43	-2.26956
53	43	-1.15659
54	43	-0.13055
55	43	0.762903
56	43	1.52921
57	43	2.15755
58	43	2.65386
59	43	2.97772
60	43	3.23696
61	43	3.32326
62	43	3.2876
63	43	3.10435
64	43	2.75271
65	43	2.22945
66	43	1.49561
67	43	0.526418
68	43	-0.704513
69	43	-2.36437
70	43	-4.5433
71	43	-5.64697
72	43	-10.4532
73	43	-12.4349
74	43	-9.59025
75	43	-6.18975
76	43	-3.58291
77	43	-1.64996
78	43	-0.186589
79	43	0.897023
80	43	1.69589
81	43	2.25312
82	43	2.5886
83	43	2.71752
84	43	2.64759
85	43	2.36126
86	43	1.86216
87	43	1.11367
88	43	0.0359507
89	43	-1.39237
90	43	-3.36247
91	43	-6.18131
92	43	-10.5625
93	43	-17.2848
94	43	-14.8686
95	43	-8.80565
96	43	-5.16774
97	43	-2.71623
98	43	-0.956596
99	43	0.34782
100	43	1.30029
101	43	1.93406
102	43	2.34459
103	43	2.53838
104	43	2.53155
105	43	2.32683
106	43	1.88373

107	43	1.28511
108	43	0.505833
109	43	-0.485998
110	43	-1.76135
111	43	-3.25364
112	43	-4.82569
113	43	-5.9955
114	43	-6.04463
115	43	-4.93263
116	43	-3.39457
117	43	-1.84743
118	43	-0.52513
119	43	0.607421
120	43	1.49706
121	43	2.19014
122	43	2.70902
123	43	3.04279
124	43	3.29168
125	43	3.37845
126	43	3.33889
127	43	3.17839
128	43	2.90338
129	43	2.51904
130	43	2.03263
131	43	1.4594
132	43	0.810999
133	43	0.174426
134	43	-0.478506
135	43	-1.00839
136	43	-1.33471
137	43	-1.38285
138	43	-1.14588
139	43	-0.670681
140	43	-0.0494856
141	43	0.637136
142	43	1.32744
143	43	1.98263
144	43	2.57651
145	43	3.11299
146	43	3.55848
147	43	3.95511
148	43	4.27495
149	43	4.54178
150	43	4.75125
151	43	4.90937
152	43	5.01869
153	43	5.077
154	43	5.09281
155	43	5.07276
156	43	5.01352
157	43	4.92947
158	43	4.81939
159	43	4.68701
160	43	4.53083
161	43	4.36106
162	43	4.16637
163	43	3.97649
164	43	3.78018
165	43	3.57634
166	43	3.37533
167	43	3.27432
168	43	3.08661
169	43	2.91031
170	43	2.73407
171	43	2.56566
172	43	2.41409
173	43	2.27417
174	43	2.14469
175	43	2.00968
176	43	1.8964
177	43	1.79916
178	43	1.71694
179	43	1.64788
180	43	1.59624
-180	44	1.08989
-179	44	1.04856
-178	44	1.0173
-177	44	0.993874
-176	44	0.978061
-175	44	0.970973
-174	44	0.976337
-173	44	0.991804
-172	44	0.95611
-171	44	0.996099
-170	44	1.05375
-169	44	1.11979
-168	44	1.20001
-167	44	1.29464
-166	44	1.41006
-165	44	1.55177
-164	44	1.7124
-163	44	1.87655
-162	44	2.04891
-161	44	2.24089
-160	44	2.44533
-159	44	2.65974
-158	44	2.86604

-157	44	3.08575
-156	44	3.30618
-155	44	3.52147
-154	44	3.70002
-153	44	3.87232
-152	44	4.02763
-151	44	4.16761
-150	44	4.28499
-149	44	4.37377
-148	44	4.43082
-147	44	4.45376
-146	44	4.43563
-145	44	4.37211
-144	44	4.27159
-143	44	4.11122
-142	44	3.88725
-141	44	3.58291
-140	44	3.21924
-139	44	2.77374
-138	44	2.25167
-137	44	1.62562
-136	44	0.866501
-135	44	0.00717538
-134	44	-0.953775
-133	44	-2.06029
-132	44	-3.17992
-131	44	-4.13111
-130	44	-4.70904
-129	44	-4.66026
-128	44	-3.97399
-127	44	-2.93715
-126	44	-1.79984
-125	44	-0.710535
-124	44	0.252042
-123	44	1.07705
-122	44	1.75221
-121	44	2.28073
-120	44	2.66209
-119	44	2.89776
-118	44	2.99033
-117	44	2.93306
-116	44	2.72041
-115	44	2.33857
-114	44	1.76886
-113	44	0.980305
-112	44	-0.0676538
-111	44	-1.45027
-110	44	-3.28715
-109	44	-5.13737
-108	44	-8.42305
-107	44	-11.9423
-106	44	-11.5865
-105	44	-8.09449
-104	44	-5.02173
-103	44	-2.73762
-102	44	-1.03832
-101	44	0.261457
-100	44	1.19049
-99	44	1.85252
-98	44	2.28726
-97	44	2.48721
-96	44	2.4782
-95	44	2.242
-94	44	1.79485
-93	44	1.07117
-92	44	-0.039638
-91	44	-1.44238
-90	44	-3.45614
-89	44	-6.21176
-88	44	-10.777
-87	44	-18.6514
-86	44	-15.7694
-85	44	-9.00557
-84	44	-5.19815
-83	44	-2.69689
-82	44	-0.932199
-81	44	0.343995
-80	44	1.26252
-79	44	1.89666
-78	44	2.28421
-77	44	2.44607
-76	44	2.39534
-75	44	2.13115
-74	44	1.60526
-73	44	0.945635
-72	44	0.0734086
-71	44	-1.08676
-70	44	-2.54196
-69	44	-4.2051
-68	44	-5.80839
-67	44	-6.62935
-66	44	-6.04351
-65	44	-4.49905
-64	44	-2.78487
-63	44	-1.24956
-62	44	0.0207534
-61	44	1.04409

-60	44	1.84679
-59	44	2.45529
-58	44	2.88645
-57	44	3.16168
-56	44	3.2667
-55	44	3.26101
-54	44	3.12437
-53	44	2.85845
-52	44	2.47751
-51	44	1.99316
-50	44	1.40212
-49	44	0.826327
-48	44	0.18561
-47	44	-0.453539
-46	44	-1.01454
-45	44	-1.31653
-44	44	-1.30011
-43	44	-1.00953
-42	44	-0.49252
-41	44	0.159043
-40	44	0.844136
-39	44	1.52062
-38	44	2.12492
-37	44	2.69919
-36	44	3.20454
-35	44	3.64592
-34	44	4.01974
-33	44	4.32107
-32	44	4.56542
-31	44	4.75254
-30	44	4.88768
-29	44	4.98106
-28	44	5.02971
-27	44	5.04112
-26	44	5.01328
-25	44	4.94939
-24	44	4.85588
-23	44	4.73265
-22	44	4.59346
-21	44	4.46151
-20	44	4.26443
-19	44	4.1139
-18	44	3.89866
-17	44	3.71926
-16	44	3.53465
-15	44	3.33785
-14	44	3.14487
-13	44	2.96228
-12	44	2.78745
-11	44	2.61605
-10	44	2.4512
-9	44	2.28679
-8	44	2.13574
-7	44	1.99587
-6	44	1.87117
-5	44	1.76063
-4	44	1.68391
-3	44	1.63902
-2	44	1.63484
-1	44	1.546
0	44	1.59079
1	44	1.60054
2	44	1.48637
3	44	1.56023
4	44	1.53238
5	44	1.37581
6	44	1.38064
7	44	1.43767
8	44	1.43128
9	44	1.55384
10	44	1.67553
11	44	1.60167
12	44	1.60244
13	44	1.72369
14	44	1.92767
15	44	2.11837
16	44	2.24613
17	44	2.36802
18	44	2.5299
19	44	2.71478
20	44	2.88794
21	44	3.07506
22	44	3.27533
23	44	3.46991
24	44	3.65621
25	44	3.83636
26	44	4.00365
27	44	4.19855
28	44	4.31886
29	44	4.47282
30	44	4.5244
31	44	4.59089
32	44	4.62996
33	44	4.62365
34	44	4.55174
35	44	4.46216
36	44	4.33541

37	44	4.14507
38	44	3.88983
39	44	3.56433
40	44	3.20714
41	44	2.73457
42	44	2.16312
43	44	1.4849
44	44	0.696883
45	44	-0.214681
46	44	-1.24304
47	44	-2.37585
48	44	-3.49712
49	44	-4.37486
50	44	-4.72403
51	44	-4.42222
52	44	-3.60986
53	44	-2.50099
54	44	-1.34681
55	44	-0.256741
56	44	0.670819
57	44	1.45492
58	44	2.0931
59	44	2.57751
60	44	2.92582
61	44	3.13037
62	44	3.19087
63	44	3.10614
64	44	2.86684
65	44	2.45241
66	44	1.85018
67	44	1.01293
68	44	-0.0912045
69	44	-1.50833
70	44	-3.46799
71	44	-5.44713
72	44	-8.88476
73	44	-12.2444
74	44	-11.4256
75	44	-7.87194
76	44	-4.77858
77	44	-2.48574
78	44	-0.807858
79	44	0.424747
80	44	1.33851
81	44	1.98695
82	44	2.39411
83	44	2.58204
84	44	2.55911
85	44	2.31222
86	44	1.84384
87	44	1.1129
88	44	0.0508743
89	44	-1.3743
90	44	-3.35141
91	44	-6.1905
92	44	-10.668
93	44	-17.8832
94	44	-15.1684
95	44	-8.84481
96	44	-5.13154
97	44	-2.65574
98	44	-0.886898
99	44	0.336852
100	44	1.31569
101	44	1.94576
102	44	2.32842
103	44	2.489
104	44	2.44299
105	44	2.19025
106	44	1.6877
107	44	1.05592
108	44	0.216434
109	44	-0.915254
110	44	-2.29499
111	44	-3.87613
112	44	-5.3942
113	44	-6.19926
114	44	-5.78458
115	44	-4.39755
116	44	-2.7657
117	44	-1.2535
118	44	0.00419895
119	44	1.03849
120	44	1.84102
121	44	2.45271
122	44	2.89448
123	44	3.16924
124	44	3.32213
125	44	3.33932
126	44	3.22273
127	44	2.98775
128	44	2.63832
129	44	2.18065
130	44	1.62981
131	44	1.00636
132	44	0.349948
133	44	-0.288706

134	44	-0.815909
135	44	-1.13367
136	44	-1.17213
137	44	-0.925024
138	44	-0.448001
139	44	0.170696
140	44	0.845154
141	44	1.52216
142	44	2.16502
143	44	2.74095
144	44	3.2512
145	44	3.69443
146	44	4.06795
147	44	4.39018
148	44	4.62172
149	44	4.81205
150	44	4.94302
151	44	5.03119
152	44	5.06207
153	44	5.04901
154	44	4.99153
155	44	4.8967
156	44	4.77492
157	44	4.62973
158	44	4.46615
159	44	4.26299
160	44	4.0512
161	44	3.82525
162	44	3.59666
163	44	3.47528
164	44	3.25621
165	44	3.01565
166	44	2.79067
167	44	2.5828
168	44	2.38472
169	44	2.19943
170	44	2.03081
171	44	1.87334
172	44	1.72931
173	44	1.59887
174	44	1.476
175	44	1.35709
176	44	1.30495
177	44	1.19555
178	44	1.12907
179	44	1.13838
180	44	1.08989
-180	45	0.925184
-179	45	0.888282
-178	45	0.865843
-177	45	0.839491
-176	45	0.814508
-175	45	0.793447
-174	45	0.774151
-173	45	0.760022
-172	45	0.745232
-171	45	0.740393
-170	45	0.749635
-169	45	0.759616
-168	45	0.78681
-167	45	0.827421
-166	45	0.883015
-165	45	0.974296
-164	45	1.09476
-163	45	1.22775
-162	45	1.38575
-161	45	1.50566
-160	45	1.6987
-159	45	1.91521
-158	45	2.13867
-157	45	2.38005
-156	45	2.63935
-155	45	2.86571
-154	45	3.12075
-153	45	3.35357
-152	45	3.5775
-151	45	3.78291
-150	45	3.96595
-149	45	4.12676
-148	45	4.2564
-147	45	4.35325
-146	45	4.41175
-145	45	4.42908
-144	45	4.40478
-143	45	4.32392
-142	45	4.16437
-141	45	4.00117
-140	45	3.76078
-139	45	3.36518
-138	45	2.94257
-137	45	2.42674
-136	45	1.79706
-135	45	1.05573
-134	45	0.197726
-133	45	-0.786435
-132	45	-1.89375
-131	45	-3.05422

-130	45	-4.12489
-129	45	-4.80231
-128	45	-4.81558
-127	45	-4.14703
-126	45	-3.07972
-125	45	-1.89827
-124	45	-0.813964
-123	45	0.18074
-122	45	1.03285
-121	45	1.70734
-120	45	2.22628
-119	45	2.5911
-118	45	2.80054
-117	45	2.85555
-116	45	2.75049
-115	45	2.47383
-114	45	2.01044
-113	45	1.33403
-112	45	0.413487
-111	45	-0.822769
-110	45	-2.47014
-109	45	-4.7021
-108	45	-6.96971
-107	45	-10.9805
-106	45	-12.8161
-105	45	-9.89559
-104	45	-6.38154
-103	45	-3.71231
-102	45	-1.72869
-101	45	-0.295916
-100	45	0.775297
-99	45	1.56227
-98	45	2.05952
-97	45	2.31823
-96	45	2.34084
-95	45	2.14723
-94	45	1.70501
-93	45	1.02138
-92	45	-0.0126153
-91	45	-1.45712
-90	45	-3.45875
-89	45	-6.35635
-88	45	-10.745
-87	45	-19.7956
-86	45	-15.4833
-85	45	-8.77593
-84	45	-5.00085
-83	45	-2.53911
-82	45	-0.808068
-81	45	0.446683
-80	45	1.33531
-79	45	1.93882
-78	45	2.28999
-77	45	2.41456
-76	45	2.32453
-75	45	1.96866
-74	45	1.40068
-73	45	0.65497
-72	45	-0.300495
-71	45	-1.58311
-70	45	-3.14202
-69	45	-4.8717
-68	45	-6.31955
-67	45	-6.60807
-66	45	-5.49597
-65	45	-3.77009
-64	45	-2.07983
-63	45	-0.629796
-62	45	0.548322
-61	45	1.47924
-60	45	2.19083
-59	45	2.71161
-58	45	3.06571
-57	45	3.22342
-56	45	3.28214
-55	45	3.2023
-54	45	2.99432
-53	45	2.65944
-52	45	2.24295
-51	45	1.70089
-50	45	1.07112
-49	45	0.405829
-48	45	-0.246327
-47	45	-0.795904
-46	45	-1.08914
-45	45	-1.11003
-44	45	-0.888799
-43	45	-0.406603
-42	45	0.258454
-41	45	0.956159
-40	45	1.58334
-39	45	2.21779
-38	45	2.79065
-37	45	3.29165
-36	45	3.7212
-35	45	4.08463
-34	45	4.37328

-33	45	4.60443
-32	45	4.77889
-31	45	4.89708
-30	45	4.96891
-29	45	4.99213
-28	45	4.97476
-27	45	4.91219
-26	45	4.81875
-25	45	4.69903
-24	45	4.55221
-23	45	4.38477
-22	45	4.2022
-21	45	4.00132
-20	45	3.78488
-19	45	3.57541
-18	45	3.35007
-17	45	3.13276
-16	45	2.9144
-15	45	2.69038
-14	45	2.47483
-13	45	2.29495
-12	45	2.12943
-11	45	1.987
-10	45	1.8619
-9	45	1.75072
-8	45	1.66118
-7	45	1.58631
-6	45	1.52333
-5	45	1.45495
-4	45	1.43453
-3	45	1.37831
-2	45	1.23501
-1	45	1.22334
0	45	1.11662
1	45	1.09616
2	45	1.16131
3	45	1.04888
4	45	0.920445
5	45	0.890582
6	45	0.860858
7	45	0.897054
8	45	0.983109
9	45	0.940126
10	45	0.92074
11	45	0.966905
12	45	1.0913
13	45	1.15816
14	45	1.17301
15	45	1.24116
16	45	1.43018
17	45	1.59309
18	45	1.74285
19	45	1.92299
20	45	2.13594
21	45	2.34223
22	45	2.55885
23	45	2.791
24	45	3.01928
25	45	3.24331
26	45	3.47246
27	45	3.69031
28	45	3.9032
29	45	4.13068
30	45	4.24177
31	45	4.38453
32	45	4.498
33	45	4.56321
34	45	4.59804
35	45	4.593
36	45	4.54324
37	45	4.4208
38	45	4.26713
39	45	4.03337
40	45	3.73606
41	45	3.36482
42	45	2.95403
43	45	2.40074
44	45	1.73864
45	45	0.956016
46	45	0.0396393
47	45	-1.00884
48	45	-2.16278
49	45	-3.34253
50	45	-4.33733
51	45	-4.83537
52	45	-4.64417
53	45	-3.77898
54	45	-2.60462
55	45	-1.39272
56	45	-0.305135
57	45	0.641898
58	45	1.42828
59	45	2.05991
60	45	2.53644
61	45	2.84514
62	45	3.03048
63	45	3.04736

64	45	2.91124
65	45	2.60949
66	45	2.10558
67	45	1.38831
68	45	0.415831
69	45	-0.874097
70	45	-2.54534
71	45	-4.83072
72	45	-7.27969
73	45	-11.445
74	45	-12.853
75	45	-9.51031
76	45	-6.0355
77	45	-3.47831
78	45	-1.56201
79	45	-0.10445
80	45	0.951753
81	45	1.6866
82	45	2.15883
83	45	2.40111
84	45	2.42553
85	45	2.22434
86	45	1.78054
87	45	1.08061
88	45	0.035709
89	45	-1.39805
90	45	-3.38545
91	45	-6.25681
92	45	-10.559
93	45	-18.539
94	45	-15.2888
95	45	-8.73636
96	45	-4.99315
97	45	-2.47066
98	45	-0.858635
99	45	0.465684
100	45	1.35765
101	45	1.96354
102	45	2.31775
103	45	2.44809
104	45	2.34926
105	45	2.02807
106	45	1.48474
107	45	0.786616
108	45	-0.134062
109	45	-1.35874
110	45	-2.83317
111	45	-4.45377
112	45	-5.81552
113	45	-6.20456
114	45	-5.27627
115	45	-3.68856
116	45	-2.06187
117	45	-0.643461
118	45	0.521468
119	45	1.43993
120	45	2.18108
121	45	2.71512
122	45	3.07891
123	45	3.28626
124	45	3.35503
125	45	3.28226
126	45	3.08667
127	45	2.77472
128	45	2.35931
129	45	1.85183
130	45	1.26534
131	45	0.630105
132	45	0.0267871
133	45	-0.517838
134	45	-0.859649
135	45	-0.941841
136	45	-0.743444
137	45	-0.306657
138	45	0.287749
139	45	0.952436
140	45	1.6233
141	45	2.25472
142	45	2.82684
143	45	3.33521
144	45	3.76747
145	45	4.1321
146	45	4.42616
147	45	4.65914
148	45	4.82887
149	45	4.93879
150	45	4.99498
151	45	5.0036
152	45	4.96528
153	45	4.88194
154	45	4.75563
155	45	4.60045
156	45	4.4036
157	45	4.19702
158	45	3.97778
159	45	3.84664
160	45	3.60276

161	45	3.34526
162	45	3.0986
163	45	2.85937
164	45	2.62207
165	45	2.38854
166	45	2.16143
167	45	1.96729
168	45	1.86545
169	45	1.7034
170	45	1.56335
171	45	1.4414
172	45	1.34897
173	45	1.27123
174	45	1.19284
175	45	1.12237
176	45	1.07216
177	45	1.04825
178	45	0.982734
179	45	0.958139
180	45	0.925184
-180	46	1.19796
-179	46	1.17564
-178	46	1.16643
-177	46	1.1462
-176	46	1.11707
-175	46	1.07955
-174	46	1.0358
-173	46	0.985521
-172	46	0.92577
-171	46	0.864158
-170	46	0.802739
-169	46	0.756865
-168	46	0.722893
-167	46	0.694533
-166	46	0.675819
-165	46	0.697419
-164	46	0.741685
-163	46	0.785199
-162	46	0.860263
-161	46	0.966843
-160	46	1.10927
-159	46	1.28751
-158	46	1.48979
-157	46	1.70889
-156	46	1.97704
-155	46	2.16953
-154	46	2.45396
-153	46	2.72959
-152	46	3.00304
-151	46	3.26504
-150	46	3.51128
-149	46	3.73864
-148	46	3.9399
-147	46	4.10917
-146	46	4.24696
-145	46	4.3433
-144	46	4.39953
-143	46	4.40711
-142	46	4.32179
-141	46	4.23791
-140	46	4.06709
-139	46	3.82346
-138	46	3.45621
-137	46	3.07286
-136	46	2.56706
-135	46	1.94957
-134	46	1.21118
-133	46	0.349085
-132	46	-0.645025
-131	46	-1.76354
-130	46	-2.95527
-129	46	-4.05916
-128	46	-4.80199
-127	46	-4.8397
-126	46	-4.17538
-125	46	-3.08811
-124	46	-1.89122
-123	46	-0.776575
-122	46	0.237764
-121	46	1.05403
-120	46	1.70555
-119	46	2.19541
-118	46	2.52336
-117	46	2.69162
-116	46	2.69802
-115	46	2.52855
-114	46	2.17433
-113	46	1.61242
-112	46	0.809933
-111	46	-0.283358
-110	46	-1.74299
-109	46	-3.71358
-108	46	-6.31898
-107	46	-9.51509
-106	46	-13.0353
-105	46	-11.5755
-104	46	-7.73059

-103	46	-4.72701
-102	46	-2.5094
-101	46	-0.881832
-100	46	0.348737
-99	46	1.19335
-98	46	1.744
-97	46	2.05337
-96	46	2.1466
-95	46	1.99399
-94	46	1.58734
-93	46	0.897799
-92	46	-0.116802
-91	46	-1.5933
-90	46	-3.57319
-89	46	-6.46944
-88	46	-10.9459
-87	46	-20.4135
-86	46	-15.2276
-85	46	-8.27454
-84	46	-4.85277
-83	46	-2.37711
-82	46	-0.691006
-81	46	0.526481
-80	46	1.37782
-79	46	1.95555
-78	46	2.28198
-77	46	2.36582
-76	46	2.17741
-75	46	1.78485
-74	46	1.18988
-73	46	0.40162
-72	46	-0.686238
-71	46	-2.06915
-70	46	-3.72412
-69	46	-5.44226
-68	46	-6.57014
-67	46	-6.26964
-66	46	-4.78862
-65	46	-3.01932
-64	46	-1.38934
-63	46	-0.0442756
-62	46	1.02927
-61	46	1.86701
-60	46	2.4953
-59	46	2.90906
-58	46	3.18485
-57	46	3.30668
-56	46	3.28587
-55	46	3.12611
-54	46	2.85759
-53	46	2.45718
-52	46	1.95017
-51	46	1.35532
-50	46	0.701388
-49	46	0.0472383
-48	46	-0.532306
-47	46	-0.921396
-46	46	-1.02206
-45	46	-0.825637
-44	46	-0.361983
-43	46	0.274616
-42	46	0.942418
-41	46	1.54428
-40	46	2.18501
-39	46	2.78434
-38	46	3.29914
-37	46	3.72792
-36	46	4.08802
-35	46	4.37172
-34	46	4.59319
-33	46	4.75461
-32	46	4.85492
-31	46	4.90783
-30	46	4.91167
-29	46	4.87242
-28	46	4.79162
-27	46	4.67062
-26	46	4.51884
-25	46	4.34282
-24	46	4.1448
-23	46	3.92814
-22	46	3.71148
-21	46	3.46601
-20	46	3.22495
-19	46	2.98397
-18	46	2.75397
-17	46	2.53679
-16	46	2.3342
-15	46	2.13067
-14	46	1.94837
-13	46	1.8057
-12	46	1.68638
-11	46	1.58939
-10	46	1.51354
-9	46	1.45134
-8	46	1.3437
-7	46	1.32833

-6	46	1.29215
-5	46	1.3306
-4	46	1.32288
-3	46	1.27865
-2	46	1.30752
-1	46	1.28298
0	46	1.33287
1	46	1.29405
2	46	1.18925
3	46	1.19106
4	46	1.22306
5	46	1.23891
6	46	1.21646
7	46	1.08033
8	46	1.00057
9	46	1.02116
10	46	1.05912
11	46	0.960868
12	46	0.841457
13	46	0.868026
14	46	0.924374
15	46	0.948906
16	46	0.971664
17	46	1.03582
18	46	1.1421
19	46	1.25965
20	46	1.41362
21	46	1.60437
22	46	1.81231
23	46	2.04068
24	46	2.29414
25	46	2.54975
26	46	2.81462
27	46	3.07855
28	46	3.3107
29	46	3.63023
30	46	3.81046
31	46	4.01709
32	46	4.19696
33	46	4.34465
34	46	4.45807
35	46	4.53262
36	46	4.56264
37	46	4.54209
38	46	4.4379
39	46	4.3123
40	46	4.12419
41	46	3.85921
42	46	3.51177
43	46	3.11408
44	46	2.5789
45	46	1.92906
46	46	1.14761
47	46	0.231682
48	46	-0.821967
49	46	-1.99858
50	46	-3.22614
51	46	-4.28016
52	46	-4.82695
53	46	-4.62917
54	46	-3.79852
55	46	-2.61892
56	46	-1.38059
57	46	-0.268301
58	46	0.670638
59	46	1.43501
60	46	2.06118
61	46	2.51095
62	46	2.79781
63	46	2.92718
64	46	2.89509
65	46	2.68991
66	46	2.30222
67	46	1.69874
68	46	0.867241
69	46	-0.265768
70	46	-1.79345
71	46	-3.80671
72	46	-6.52853
73	46	-9.91165
74	46	-13.2465
75	46	-11.1416
76	46	-7.3744
77	46	-4.41655
78	46	-2.23256
79	46	-0.650571
80	46	0.485883
81	46	1.31531
82	46	1.89423
83	46	2.21087
84	46	2.26998
85	46	2.09478
86	46	1.68312
87	46	1.00245
88	46	-0.000910173
89	46	-1.51164
90	46	-3.45573

91	46	-6.3788
92	46	-10.7565
93	46	-19.307
94	46	-15.0797
95	46	-8.49389
96	46	-4.7871
97	46	-2.4064
98	46	-0.669158
99	46	0.557106
100	46	1.42751
101	46	2.00693
102	46	2.32673
103	46	2.417
104	46	2.25476
105	46	1.88782
106	46	1.32224
107	46	0.576826
108	46	-0.467131
109	46	-1.78268
110	46	-3.33661
111	46	-4.95547
112	46	-6.06907
113	46	-5.91658
114	46	-4.61964
115	46	-2.9526
116	46	-1.38933
117	46	-0.064923
118	46	1.00805
119	46	1.84605
120	46	2.47699
121	46	2.91828
122	46	3.2214
123	46	3.36979
124	46	3.35679
125	46	3.24333
126	46	2.98245
127	46	2.60555
128	46	2.12323
129	46	1.55714
130	46	0.942264
131	46	0.322336
132	46	-0.22654
133	46	-0.612751
134	46	-0.752896
135	46	-0.609447
136	46	-0.22041
137	46	0.340421
138	46	0.984178
139	46	1.64036
140	46	2.26631
141	46	2.83665
142	46	3.34022
143	46	3.7749
144	46	4.14001
145	46	4.42905
146	46	4.65055
147	46	4.80428
148	46	4.89008
149	46	4.9276
150	46	4.90332
151	46	4.85143
152	46	4.75626
153	46	4.60276
154	46	4.39345
155	46	4.1771
156	46	4.03664
157	46	3.7987
158	46	3.56235
159	46	3.32114
160	46	3.06464
161	46	2.74226
162	46	2.5845
163	46	2.36627
164	46	2.15506
165	46	1.94324
166	46	1.75844
167	46	1.61121
168	46	1.48399
169	46	1.39079
170	46	1.31662
171	46	1.25951
172	46	1.23065
173	46	1.21996
174	46	1.21701
175	46	1.20962
176	46	1.20988
177	46	1.21221
178	46	1.21099
179	46	1.20675
180	46	1.19796
-180	47	1.79633
-179	47	1.79545
-178	47	1.80198
-177	47	1.78292
-176	47	1.74278
-175	47	1.68715
-174	47	1.63181

-173	47	1.56566
-172	47	1.48016
-171	47	1.3916
-170	47	1.28896
-169	47	1.18275
-168	47	1.07559
-167	47	0.969923
-166	47	0.864617
-165	47	0.785491
-164	47	0.721603
-163	47	0.6663
-162	47	0.637944
-161	47	0.641917
-160	47	0.683151
-159	47	0.766625
-158	47	0.902058
-157	47	1.08189
-156	47	1.28775
-155	47	1.51935
-154	47	1.79352
-153	47	2.08178
-152	47	2.37706
-151	47	2.67458
-150	47	2.93707
-149	47	3.22216
-148	47	3.49189
-147	47	3.73062
-146	47	3.93377
-145	47	4.11281
-144	47	4.23998
-143	47	4.33333
-142	47	4.35252
-141	47	4.34594
-140	47	4.25645
-139	47	4.103
-138	47	3.88074
-137	47	3.57193
-136	47	3.11408
-135	47	2.60131
-134	47	2.03396
-133	47	1.30322
-132	47	0.445119
-131	47	-0.556308
-130	47	-1.69432
-129	47	-2.90378
-128	47	-4.02025
-127	47	-4.74751
-126	47	-4.78096
-125	47	-4.06958
-124	47	-2.95182
-123	47	-1.74488
-122	47	-0.625591
-121	47	0.350386
-120	47	1.14552
-119	47	1.76659
-118	47	2.20806
-117	47	2.47935
-116	47	2.58381
-115	47	2.5174
-114	47	2.26608
-113	47	1.81093
-112	47	1.12958
-111	47	0.181382
-110	47	-1.10572
-109	47	-2.84865
-108	47	-5.24712
-107	47	-7.94312
-106	47	-12.3247
-105	47	-13.2374
-104	47	-9.37455
-103	47	-5.90476
-102	47	-3.35213
-101	47	-1.50436
-100	47	-0.190364
-99	47	0.7544
-98	47	1.43659
-97	47	1.82183
-96	47	1.93351
-95	47	1.79906
-94	47	1.42338
-93	47	0.768064
-92	47	-0.209261
-91	47	-1.69624
-90	47	-3.73534
-89	47	-6.73826
-88	47	-11.4276
-87	47	-21.1863
-86	47	-14.5664
-85	47	-8.11897
-84	47	-4.60097
-83	47	-2.18851
-82	47	-0.611899
-81	47	0.594958
-80	47	1.42943
-79	47	1.9885
-78	47	2.27215
-77	47	2.28836

-76	47	2.07115
-75	47	1.5957
-74	47	0.938491
-73	47	0.106913
-72	47	-1.074
-71	47	-2.53933
-70	47	-4.25592
-69	47	-5.87563
-68	47	-6.56815
-67	47	-5.73969
-66	47	-4.04878
-65	47	-2.28847
-64	47	-0.761731
-63	47	0.484742
-62	47	1.46414
-61	47	2.18302
-60	47	2.72718
-59	47	3.09134
-58	47	3.29335
-57	47	3.34261
-56	47	3.24571
-55	47	3.03013
-54	47	2.68218
-53	47	2.2169
-52	47	1.65217
-51	47	1.01224
-50	47	0.341215
-49	47	-0.272987
-48	47	-0.739684
-47	47	-0.935915
-46	47	-0.805759
-45	47	-0.398605
-44	47	0.205083
-43	47	0.839806
-42	47	1.5064
-41	47	2.15138
-40	47	2.74383
-39	47	3.2424
-38	47	3.65814
-37	47	4.01921
-36	47	4.32035
-35	47	4.55034
-34	47	4.70281
-33	47	4.78773
-32	47	4.82236
-31	47	4.80854
-30	47	4.75087
-29	47	4.65098
-28	47	4.51074
-27	47	4.33838
-26	47	4.13599
-25	47	3.91461
-24	47	3.72658
-23	47	3.4357
-22	47	3.20502
-21	47	2.92942
-20	47	2.68655
-19	47	2.45423
-18	47	2.1587
-17	47	1.96999
-16	47	1.8073
-15	47	1.67054
-14	47	1.54475
-13	47	1.4754
-12	47	1.427
-11	47	1.41234
-10	47	1.41401
-9	47	1.42489
-8	47	1.4547
-7	47	1.44473
-6	47	1.53401
-5	47	1.59109
-4	47	1.65795
-3	47	1.7232
-2	47	1.75924
-1	47	1.78802
0	47	1.74377
1	47	1.72162
2	47	1.71122
3	47	1.6817
4	47	1.68746
5	47	1.64481
6	47	1.59599
7	47	1.55959
8	47	1.51642
9	47	1.40004
10	47	1.28802
11	47	1.27981
12	47	1.17264
13	47	1.01001
14	47	0.89848
15	47	0.861404
16	47	0.837872
17	47	0.799821
18	47	0.798924
19	47	0.838188
20	47	0.904134

21	47	1.00873
22	47	1.16281
23	47	1.34807
24	47	1.56403
25	47	1.81588
26	47	2.08773
27	47	2.37288
28	47	2.66138
29	47	2.92049
30	47	3.24119
31	47	3.50992
32	47	3.75207
33	47	3.97559
34	47	4.1643
35	47	4.31778
36	47	4.42861
37	47	4.48975
38	47	4.49789
39	47	4.44972
40	47	4.33889
41	47	4.1771
42	47	3.92942
43	47	3.60019
44	47	3.17626
45	47	2.69255
46	47	2.05253
47	47	1.27534
48	47	0.357895
49	47	-0.705379
50	47	-1.89661
51	47	-3.14429
52	47	-4.18473
53	47	-4.77852
54	47	-4.55283
55	47	-3.66972
56	47	-2.4639
57	47	-1.26138
58	47	-0.15954
59	47	0.764195
60	47	1.51077
61	47	2.09701
62	47	2.50154
63	47	2.74263
64	47	2.81278
65	47	2.71404
66	47	2.43265
67	47	1.9491
68	47	1.19083
69	47	0.242289
70	47	-1.09085
71	47	-2.8964
72	47	-5.3692
73	47	-8.19341
74	47	-12.5974
75	47	-12.8617
76	47	-8.9188
77	47	-5.5266
78	47	-3.05504
79	47	-1.26487
80	47	-0.00928092
81	47	0.994273
82	47	1.61386
83	47	1.95032
84	47	2.06115
85	47	1.95781
86	47	1.59095
87	47	0.921991
88	47	-0.0771803
89	47	-1.55976
90	47	-3.56148
91	47	-6.49603
92	47	-11.0439
93	47	-19.9679
94	47	-14.5058
95	47	-8.12651
96	47	-4.58272
97	47	-2.20139
98	47	-0.532926
99	47	0.659483
100	47	1.49937
101	47	2.05547
102	47	2.34598
103	47	2.38204
104	47	2.189
105	47	1.74972
106	47	1.15083
107	47	0.337355
108	47	-0.78682
109	47	-2.18155
110	47	-3.77939
111	47	-5.31511
112	47	-6.07074
113	47	-5.46135
114	47	-3.94859
115	47	-2.27658
116	47	-0.779106
117	47	0.462592

118	47	1.4474
119	47	2.20633
120	47	2.76559
121	47	3.14517
122	47	3.3655
123	47	3.43403
124	47	3.34161
125	47	3.15577
126	47	2.83241
127	47	2.39652
128	47	1.86354
129	47	1.26101
130	47	0.631359
131	47	0.0755743
132	47	-0.385053
133	47	-0.607889
134	47	-0.548359
135	47	-0.223066
136	47	0.298466
137	47	0.925889
138	47	1.57541
139	47	2.2051
140	47	2.78642
141	47	3.29688
142	47	3.73476
143	47	4.09705
144	47	4.3811
145	47	4.59457
146	47	4.73314
147	47	4.8084
148	47	4.82256
149	47	4.78176
150	47	4.70306
151	47	4.58305
152	47	4.42556
153	47	4.26558
154	47	4.06147
155	47	3.83464
156	47	3.54197
157	47	3.2758
158	47	3.02404
159	47	2.77879
160	47	2.53214
161	47	2.31207
162	47	2.11836
163	47	1.93755
164	47	1.7723
165	47	1.63876
166	47	1.53566
167	47	1.46383
168	47	1.41771
169	47	1.41396
170	47	1.42459
171	47	1.45252
172	47	1.49461
173	47	1.54049
174	47	1.5971
175	47	1.66086
176	47	1.71333
177	47	1.74049
178	47	1.7648
179	47	1.79011
180	47	1.79633
-180	48	2.55454
-179	48	2.56053
-178	48	2.56174
-177	48	2.53298
-176	48	2.49163
-175	48	2.44009
-174	48	2.37293
-173	48	2.29412
-172	48	2.20141
-171	48	2.09731
-170	48	1.97111
-169	48	1.83377
-168	48	1.68837
-167	48	1.53388
-166	48	1.37163
-165	48	1.21224
-164	48	1.05774
-163	48	0.905217
-162	48	0.76875
-161	48	0.65998
-160	48	0.584171
-159	48	0.543789
-158	48	0.57507
-157	48	0.586575
-156	48	0.731632
-155	48	0.893032
-154	48	1.11405
-153	48	1.37248
-152	48	1.66898
-151	48	1.97913
-150	48	2.29776
-149	48	2.61665
-148	48	2.94103
-147	48	3.22506

-146	48	3.48673
-145	48	3.73774
-144	48	3.94575
-143	48	4.12011
-142	48	4.23406
-141	48	4.29207
-140	48	4.29569
-139	48	4.23158
-138	48	4.09507
-137	48	3.88235
-136	48	3.58397
-135	48	3.12866
-134	48	2.62638
-133	48	2.01355
-132	48	1.27659
-131	48	0.470385
-130	48	-0.552148
-129	48	-1.70582
-128	48	-2.91925
-127	48	-4.02187
-126	48	-4.68389
-125	48	-4.60768
-124	48	-3.83558
-123	48	-2.69784
-122	48	-1.46193
-121	48	-0.403894
-120	48	0.525789
-119	48	1.27912
-118	48	1.85179
-117	48	2.24322
-116	48	2.45368
-115	48	2.48432
-114	48	2.32576
-113	48	1.97362
-112	48	1.39906
-111	48	0.568378
-110	48	-0.574519
-109	48	-2.11434
-108	48	-4.22467
-107	48	-7.19873
-106	48	-10.7487
-105	48	-13.8299
-104	48	-10.8897
-103	48	-7.05511
-102	48	-4.24904
-101	48	-2.18973
-100	48	-0.722228
-99	48	0.383621
-98	48	1.11177
-97	48	1.53467
-96	48	1.72602
-95	48	1.65014
-94	48	1.30352
-93	48	0.645669
-92	48	-0.351194
-91	48	-1.8297
-90	48	-3.88557
-89	48	-6.77501
-88	48	-11.8366
-87	48	-21.5915
-86	48	-13.8728
-85	48	-7.78291
-84	48	-4.32418
-83	48	-2.02108
-82	48	-0.399836
-81	48	0.758043
-80	48	1.59476
-79	48	2.03367
-78	48	2.25426
-77	48	2.21597
-76	48	1.97524
-75	48	1.48461
-74	48	0.817684
-73	48	-0.150901
-72	48	-1.42112
-71	48	-3.00319
-70	48	-4.76979
-69	48	-6.16752
-68	48	-6.30401
-67	48	-5.06578
-66	48	-3.29294
-65	48	-1.60094
-64	48	-0.177486
-63	48	0.961624
-62	48	1.81326
-61	48	2.4754
-60	48	2.94023
-59	48	3.23227
-58	48	3.36176
-57	48	3.34274
-56	48	3.18553
-55	48	2.89209
-54	48	2.47259
-53	48	1.9425
-52	48	1.32477
-51	48	0.655877
-50	48	0.00145567

-49	48	-0.538947
-48	48	-0.85218
-47	48	-0.833016
-46	48	-0.49179
-45	48	0.0686981
-44	48	0.685702
-43	48	1.36772
-42	48	2.02215
-41	48	2.63088
-40	48	3.16327
-39	48	3.60361
-38	48	3.97089
-37	48	4.26419
-36	48	4.47454
-35	48	4.61363
-34	48	4.69379
-33	48	4.72775
-32	48	4.71703
-31	48	4.65339
-30	48	4.5346
-29	48	4.36463
-28	48	4.16149
-27	48	3.93423
-26	48	3.68932
-25	48	3.43085
-24	48	3.09712
-23	48	2.83019
-22	48	2.57949
-21	48	2.3252
-20	48	2.10423
-19	48	1.91334
-18	48	1.75391
-17	48	1.64001
-16	48	1.56645
-15	48	1.52795
-14	48	1.51035
-13	48	1.5399
-12	48	1.57286
-11	48	1.62076
-10	48	1.67398
-9	48	1.7581
-8	48	1.7984
-7	48	1.9312
-6	48	2.03095
-5	48	2.12892
-4	48	2.18407
-3	48	2.22358
-2	48	2.23123
-1	48	2.28619
0	48	2.33281
1	48	2.33031
2	48	2.35635
3	48	2.3298
4	48	2.31186
5	48	2.26134
6	48	2.20093
7	48	2.11674
8	48	2.01795
9	48	1.95224
10	48	1.86365
11	48	1.73407
12	48	1.64513
13	48	1.52954
14	48	1.39682
15	48	1.24287
16	48	1.1161
17	48	1.00422
18	48	0.897984
19	48	0.785804
20	48	0.739044
21	48	0.720453
22	48	0.747469
23	48	0.832223
24	48	0.969989
25	48	1.1545
26	48	1.38287
27	48	1.64387
28	48	1.93522
29	48	2.15024
30	48	2.56789
31	48	2.88462
32	48	3.19192
33	48	3.4713
34	48	3.73093
35	48	3.95675
36	48	4.14083
37	48	4.2853
38	48	4.38029
39	48	4.41813
40	48	4.39706
41	48	4.29354
42	48	4.15413
43	48	3.93471
44	48	3.62917
45	48	3.22379
46	48	2.75167
47	48	2.11299

48	48	1.33313
49	48	0.404234
50	48	-0.669729
51	48	-1.88536
52	48	-3.11085
53	48	-4.15921
54	48	-4.64646
55	48	-4.36695
56	48	-3.45681
57	48	-2.2004
58	48	-1.02392
59	48	0.0220105
60	48	0.912627
61	48	1.62061
62	48	2.15406
63	48	2.50594
64	48	2.68547
65	48	2.68525
66	48	2.50427
67	48	2.13182
68	48	1.53258
69	48	0.666006
70	48	-0.502903
71	48	-2.10374
72	48	-4.28036
73	48	-7.34245
74	48	-10.9885
75	48	-13.677
76	48	-10.384
77	48	-6.65306
78	48	-3.91477
79	48	-1.90591
80	48	-0.438172
81	48	0.601745
82	48	1.3082
83	48	1.73156
84	48	1.89573
85	48	1.79018
86	48	1.42476
87	48	0.777794
88	48	-0.174653
89	48	-1.61457
90	48	-3.68002
91	48	-6.51308
92	48	-11.359
93	48	-20.1129
94	48	-13.7812
95	48	-7.80049
96	48	-4.32382
97	48	-2.02167
98	48	-0.386033
99	48	0.780339
100	48	1.59066
101	48	2.11704
102	48	2.39029
103	48	2.34771
104	48	2.1301
105	48	1.66648
106	48	1.03414
107	48	0.108898
108	48	-1.09863
109	48	-2.56954
110	48	-4.20174
111	48	-5.56281
112	48	-5.86634
113	48	-4.85155
114	48	-3.22825
115	48	-1.60847
116	48	-0.20878
117	48	0.929716
118	48	1.82399
119	48	2.50184
120	48	2.98247
121	48	3.28841
122	48	3.4362
123	48	3.43565
124	48	3.28518
125	48	3.02526
126	48	2.62823
127	48	2.13415
128	48	1.55832
129	48	0.942316
130	48	0.347241
131	48	-0.163761
132	48	-0.48016
133	48	-0.516322
134	48	-0.270483
135	48	0.196055
136	48	0.790559
137	48	1.43498
138	48	2.06763
139	48	2.66001
140	48	3.18802
141	48	3.63476
142	48	4.00275
143	48	4.28698
144	48	4.49243

145	48	4.63528
146	48	4.71457
147	48	4.72673
148	48	4.6649
149	48	4.54664
150	48	4.43948
151	48	4.27281
152	48	4.09646
153	48	3.84473
154	48	3.5572
155	48	3.29948
156	48	3.03793
157	48	2.78339
158	48	2.53303
159	48	2.30157
160	48	2.09733
161	48	1.92799
162	48	1.78691
163	48	1.6851
164	48	1.62537
165	48	1.60059
166	48	1.59343
167	48	1.6051
168	48	1.65632
169	48	1.7484
170	48	1.83663
171	48	1.92519
172	48	2.01683
173	48	2.10356
174	48	2.20255
175	48	2.29675
176	48	2.37568
177	48	2.43585
178	48	2.4758
179	48	2.51356
180	48	2.55454
-180	49	3.20561
-179	49	3.20484
-178	49	3.20439
-177	49	3.17906
-176	49	3.14176
-175	49	3.09361
-174	49	3.03115
-173	49	2.95218
-172	49	2.86831
-171	49	2.75725
-170	49	2.62922
-169	49	2.49339
-168	49	2.40592
-167	49	2.23518
-166	49	2.04657
-165	49	1.84466
-164	49	1.62742
-163	49	1.42049
-162	49	1.21227
-161	49	1.00979
-160	49	0.8245
-159	49	0.663341
-158	49	0.549456
-157	49	0.456798
-156	49	0.43118
-155	49	0.472581
-154	49	0.584069
-153	49	0.747191
-152	49	0.980466
-151	49	1.27917
-150	49	1.59094
-149	49	1.92242
-148	49	2.25872
-147	49	2.60686
-146	49	2.9368
-145	49	3.24779
-144	49	3.52261
-143	49	3.76145
-142	49	3.96914
-141	49	4.09281
-140	49	4.18118
-139	49	4.20834
-138	49	4.16405
-137	49	4.041
-136	49	3.83496
-135	49	3.53858
-134	49	3.08005
-133	49	2.59363
-132	49	1.98857
-131	49	1.24024
-130	49	0.341723
-129	49	-0.628991
-128	49	-1.80126
-127	49	-3.01312
-126	49	-4.05634
-125	49	-4.58705
-124	49	-4.35687
-123	49	-3.48948
-122	49	-2.33686
-121	49	-1.16644
-120	49	-0.108645

-119	49	0.739931
-118	49	1.42636
-117	49	1.9337
-116	49	2.26443
-115	49	2.40406
-114	49	2.35212
-113	49	2.10232
-112	49	1.63608
-111	49	0.925371
-110	49	-0.0871499
-109	49	-1.47451
-108	49	-3.36204
-107	49	-5.97285
-106	49	-9.02849
-105	49	-13.2691
-104	49	-12.417
-103	49	-8.3359
-102	49	-5.17988
-101	49	-2.86746
-100	49	-1.20017
-99	49	-0.00742623
-98	49	0.793454
-97	49	1.29528
-96	49	1.52676
-95	49	1.45022
-94	49	1.14022
-93	49	0.518023
-92	49	-0.459814
-91	49	-1.86435
-90	49	-4.00539
-89	49	-7.0311
-88	49	-12.2751
-87	49	-21.0386
-86	49	-12.9559
-85	49	-7.32792
-84	49	-4.05527
-83	49	-1.80788
-82	49	-0.240468
-81	49	0.871283
-80	49	1.64076
-79	49	2.10738
-78	49	2.31995
-77	49	2.22535
-76	49	1.90244
-75	49	1.39215
-74	49	0.645101
-73	49	-0.39968
-72	49	-1.74169
-71	49	-3.35853
-70	49	-5.03483
-69	49	-6.14875
-68	49	-5.84991
-67	49	-4.36313
-66	49	-2.5846
-65	49	-0.96412
-64	49	0.355021
-63	49	1.34792
-62	49	2.13981
-61	49	2.72377
-60	49	3.11435
-59	49	3.32607
-58	49	3.39137
-57	49	3.30495
-56	49	3.07653
-55	49	2.71122
-54	49	2.22327
-53	49	1.62966
-52	49	0.965233
-51	49	0.286434
-50	49	-0.325097
-49	49	-0.752771
-48	49	-0.890459
-47	49	-0.666222
-46	49	-0.141563
-45	49	0.459287
-44	49	1.15354
-43	49	1.83353
-42	49	2.46313
-41	49	3.01189
-40	49	3.47297
-39	49	3.85158
-38	49	4.15725
-37	49	4.3815
-36	49	4.53213
-35	49	4.61831
-34	49	4.64337
-33	49	4.61209
-32	49	4.52099
-31	49	4.37932
-30	49	4.19626
-29	49	3.92756
-28	49	3.6876
-27	49	3.40137
-26	49	3.16282
-25	49	2.87331
-24	49	2.58705
-23	49	2.31676

-22	49	2.07958
-21	49	1.89738
-20	49	1.76653
-19	49	1.68527
-18	49	1.64717
-17	49	1.64875
-16	49	1.6791
-15	49	1.74096
-14	49	1.81574
-13	49	1.88683
-12	49	1.9885
-11	49	2.0905
-10	49	2.24049
-9	49	2.33121
-8	49	2.46896
-7	49	2.57636
-6	49	2.66896
-5	49	2.75078
-4	49	2.83324
-3	49	2.8514
-2	49	2.94956
-1	49	3.0087
0	49	3.00384
1	49	3.00995
2	49	3.00817
3	49	2.99742
4	49	2.955
5	49	2.92852
6	49	2.88343
7	49	2.82684
8	49	2.77102
9	49	2.66357
10	49	2.55363
11	49	2.44
12	49	2.29045
13	49	2.11567
14	49	1.95875
15	49	1.80675
16	49	1.60586
17	49	1.42822
18	49	1.25941
19	49	1.08639
20	49	0.934245
21	49	0.813594
22	49	0.727154
23	49	0.682807
24	49	0.640358
25	49	0.705601
26	49	0.837659
27	49	1.0229
28	49	1.25892
29	49	1.46642
30	49	1.81752
31	49	2.18968
32	49	2.53014
33	49	2.8526
34	49	3.1735
35	49	3.468
36	49	3.72393
37	49	3.94288
38	49	4.11496
39	49	4.23509
40	49	4.29828
41	49	4.30036
42	49	4.23185
43	49	4.0776
44	49	3.91056
45	49	3.62463
46	49	3.21794
47	49	2.69678
48	49	2.09135
49	49	1.30136
50	49	0.365129
51	49	-0.73875
52	49	-1.93477
53	49	-3.15742
54	49	-4.13571
55	49	-4.49173
56	49	-4.06182
57	49	-3.0855
58	49	-1.87458
59	49	-0.701386
60	49	0.288134
61	49	1.11491
62	49	1.77002
63	49	2.22984
64	49	2.51421
65	49	2.62321
66	49	2.54223
67	49	2.26657
68	49	1.77604
69	49	1.02883
70	49	-0.0139384
71	49	-1.41452
72	49	-3.35441
73	49	-6.04218
74	49	-9.21789

75	49	-13.4778
76	49	-12.051
77	49	-7.92864
78	49	-4.84033
79	49	-2.58467
80	49	-0.962245
81	49	0.207944
82	49	0.99781
83	49	1.48294
84	49	1.69269
85	49	1.63515
86	49	1.30547
87	49	0.690503
88	49	-0.273513
89	49	-1.70227
90	49	-3.7856
91	49	-6.68821
92	49	-11.5821
93	49	-19.6348
94	49	-13.0974
95	49	-7.42132
96	49	-4.06925
97	49	-1.81299
98	49	-0.227816
99	49	0.898823
100	49	1.68429
101	49	2.16482
102	49	2.36155
103	49	2.31397
104	49	2.04373
105	49	1.54774
106	49	0.872416
107	49	-0.09782
108	49	-1.34594
109	49	-2.86328
110	49	-4.46132
111	49	-5.6035
112	49	-5.52319
113	49	-4.26361
114	49	-2.6059
115	49	-1.04755
116	49	0.265041
117	49	1.31673
118	49	2.13078
119	49	2.73357
120	49	3.14508
121	49	3.38555
122	49	3.46593
123	49	3.39709
124	49	3.18753
125	49	2.83976
126	49	2.39054
127	49	1.83179
128	49	1.21373
129	49	0.587901
130	49	0.0395736
131	49	-0.36909
132	49	-0.50513
133	49	-0.357654
134	49	0.0310738
135	49	0.589421
136	49	1.23099
137	49	1.87978
138	49	2.49105
139	49	3.02863
140	49	3.48813
141	49	3.86834
142	49	4.16694
143	49	4.37934
144	49	4.51315
145	49	4.583
146	49	4.59577
147	49	4.56087
148	49	4.44263
149	49	4.30151
150	49	4.09134
151	49	3.87373
152	49	3.62235
153	49	3.36196
154	49	3.10614
155	49	2.82402
156	49	2.57346
157	49	2.33065
158	49	2.12526
159	49	1.95566
160	49	1.82698
161	49	1.73248
162	49	1.68323
163	49	1.68388
164	49	1.71609
165	49	1.78787
166	49	1.8777
167	49	1.9746
168	49	2.11756
169	49	2.26788
170	49	2.40176
171	49	2.5363

172	49	2.66598
173	49	2.77108
174	49	2.93803
175	49	3.01813
176	49	3.04863
177	49	3.10259
178	49	3.14671
179	49	3.17835
180	49	3.20561
-180	50	3.81227
-179	50	3.8302
-178	50	3.80384
-177	50	3.80497
-176	50	3.77274
-175	50	3.73024
-174	50	3.67682
-173	50	3.60604
-172	50	3.53104
-171	50	3.43214
-170	50	3.30824
-169	50	3.17505
-168	50	3.02801
-167	50	2.86664
-166	50	2.68641
-165	50	2.48035
-164	50	2.25104
-163	50	2.02733
-162	50	1.79734
-161	50	1.56247
-160	50	1.3223
-159	50	1.09563
-158	50	0.836609
-157	50	0.666688
-156	50	0.485541
-155	50	0.374329
-154	50	0.342744
-153	50	0.372563
-152	50	0.469709
-151	50	0.650541
-150	50	0.910521
-149	50	1.18718
-148	50	1.5349
-147	50	1.90844
-146	50	2.27216
-145	50	2.63071
-144	50	2.96932
-143	50	3.28193
-142	50	3.55797
-141	50	3.76193
-140	50	3.92587
-139	50	4.0358
-138	50	4.07882
-137	50	4.04771
-136	50	3.93441
-135	50	3.73269
-134	50	3.43382
-133	50	3.01669
-132	50	2.55227
-131	50	1.91288
-130	50	1.12771
-129	50	0.184351
-128	50	-0.901233
-127	50	-2.00171
-126	50	-3.19384
-125	50	-4.13469
-124	50	-4.4759
-123	50	-4.04711
-122	50	-3.07387
-121	50	-1.90211
-120	50	-0.774539
-119	50	0.204891
-118	50	1.01017
-117	50	1.61825
-116	50	2.03839
-115	50	2.27452
-114	50	2.32133
-113	50	2.16816
-112	50	1.7951
-111	50	1.18421
-110	50	0.292061
-109	50	-0.94211
-108	50	-2.62561
-107	50	-4.94853
-106	50	-8.22128
-105	50	-11.8313
-104	50	-13.2281
-103	50	-9.42903
-102	50	-6.00008
-101	50	-3.54007
-100	50	-1.71847
-99	50	-0.426793
-98	50	0.518444
-97	50	1.0823
-96	50	1.33437
-95	50	1.31493
-94	50	1.02509
-93	50	0.422617

-92	50	-0.535218
-91	50	-1.97635
-90	50	-4.0932
-89	50	-7.12206
-88	50	-12.3537
-87	50	-19.4366
-86	50	-12.1403
-85	50	-6.94466
-84	50	-3.76649
-83	50	-1.60186
-82	50	-0.0873712
-81	50	0.989006
-80	50	1.719
-79	50	2.14895
-78	50	2.25047
-77	50	2.14886
-76	50	1.80949
-75	50	1.29458
-74	50	0.449369
-73	50	-0.686558
-72	50	-2.07665
-71	50	-3.7723
-70	50	-5.36727
-69	50	-6.12212
-68	50	-5.37386
-67	50	-3.72037
-66	50	-1.98076
-65	50	-0.510523
-64	50	0.715687
-63	50	1.68102
-62	50	2.41362
-61	50	2.91722
-60	50	3.24957
-59	50	3.39078
-58	50	3.37535
-57	50	3.20982
-56	50	2.90001
-55	50	2.45988
-54	50	1.90382
-53	50	1.2554
-52	50	0.558984
-51	50	-0.106377
-50	50	-0.625969
-49	50	-0.891931
-48	50	-0.83259
-47	50	-0.451375
-46	50	0.191382
-45	50	0.890832
-44	50	1.59453
-43	50	2.25099
-42	50	2.83322
-41	50	3.32847
-40	50	3.73416
-39	50	4.05826
-38	50	4.28973
-37	50	4.44135
-36	50	4.52379
-35	50	4.53093
-34	50	4.47804
-33	50	4.3297
-32	50	4.17552
-31	50	3.98039
-30	50	3.7556
-29	50	3.50186
-28	50	3.22812
-27	50	2.95149
-26	50	2.67292
-25	50	2.40652
-24	50	2.16989
-23	50	1.97771
-22	50	1.81887
-21	50	1.71179
-20	50	1.65355
-19	50	1.64602
-18	50	1.67686
-17	50	1.74598
-16	50	1.84454
-15	50	1.99059
-14	50	2.15526
-13	50	2.31527
-12	50	2.4794
-11	50	2.65951
-10	50	2.80451
-9	50	2.93868
-8	50	3.07423
-7	50	3.18622
-6	50	3.27836
-5	50	3.38362
-4	50	3.39134
-3	50	3.50696
-2	50	3.55307
-1	50	3.60597
0	50	3.65227
1	50	3.68012
2	50	3.6981
3	50	3.69384
4	50	3.68626

5	50	3.64447
6	50	3.59915
7	50	3.53906
8	50	3.44965
9	50	3.35637
10	50	3.25613
11	50	3.14858
12	50	3.03303
13	50	2.87898
14	50	2.65792
15	50	2.46397
16	50	2.2542
17	50	2.03923
18	50	1.82223
19	50	1.60348
20	50	1.37666
21	50	1.16667
22	50	0.980091
23	50	0.822656
24	50	0.703478
25	50	0.633024
26	50	0.626045
27	50	0.687116
28	50	0.747541
29	50	0.847759
30	50	1.19756
31	50	1.51297
32	50	1.82714
33	50	2.17844
34	50	2.53106
35	50	2.87716
36	50	3.1956
37	50	3.48158
38	50	3.72359
39	50	3.92169
40	50	4.0647
41	50	4.14996
42	50	4.16944
43	50	4.11612
44	50	3.98569
45	50	3.83664
46	50	3.53615
47	50	3.12288
48	50	2.59253
49	50	1.97463
50	50	1.17033
51	50	0.200156
52	50	-0.896662
53	50	-2.09619
54	50	-3.26842
55	50	-4.09382
56	50	-4.27561
57	50	-3.68067
58	50	-2.62258
59	50	-1.4634
60	50	-0.341174
61	50	0.607362
62	50	1.3653
63	50	1.94681
64	50	2.33085
65	50	2.53479
66	50	2.54683
67	50	2.36701
68	50	1.97484
69	50	1.34351
70	50	0.432359
71	50	-0.844306
72	50	-2.55183
73	50	-4.94067
74	50	-8.29685
75	50	-11.9657
76	50	-13.1314
77	50	-9.15267
78	50	-5.7109
79	50	-3.28531
80	50	-1.48842
81	50	-0.187398
82	50	0.695121
83	50	1.25237
84	50	1.51648
85	50	1.50508
86	50	1.21024
87	50	0.620182
88	50	-0.326795
89	50	-1.72065
90	50	-3.7809
91	50	-6.75755
92	50	-11.5265
93	50	-17.7668
94	50	-12.2718
95	50	-7.08504
96	50	-3.80128
97	50	-1.62684
98	50	-0.0801264
99	50	1.01222
100	50	1.77194
101	50	2.22802

102	50	2.35674
103	50	2.29094
104	50	1.98338
105	50	1.49128
106	50	0.736484
107	50	-0.307709
108	50	-1.63559
109	50	-3.18679
110	50	-4.70743
111	50	-5.55986
112	50	-5.11298
113	50	-3.6949
114	50	-2.04953
115	50	-0.560387
116	50	0.672102
117	50	1.64299
118	50	2.38244
119	50	2.91333
120	50	3.25568
121	50	3.41633
122	50	3.43805
123	50	3.30002
124	50	3.02334
125	50	2.60741
126	50	2.09949
127	50	1.49855
128	50	0.855887
129	50	0.238968
130	50	-0.244097
131	50	-0.505991
132	50	-0.473881
133	50	-0.159846
134	50	0.35839
135	50	0.988624
136	50	1.63624
137	50	2.24969
138	50	2.80326
139	50	3.28605
140	50	3.69008
141	50	4.01614
142	50	4.24973
143	50	4.3935
144	50	4.45827
145	50	4.45346
146	50	4.42893
147	50	4.31098
148	50	4.15104
149	50	3.94905
150	50	3.71919
151	50	3.46265
152	50	3.18323
153	50	2.91288
154	50	2.64899
155	50	2.42854
156	50	2.18744
157	50	2.0077
158	50	1.87097
159	50	1.78555
160	50	1.75227
161	50	1.7679
162	50	1.81895
163	50	1.90567
164	50	2.01801
165	50	2.17515
166	50	2.34791
167	50	2.54955
168	50	2.70815
169	50	2.87746
170	50	3.02762
171	50	3.16151
172	50	3.28874
173	50	3.39325
174	50	3.49627
175	50	3.58761
176	50	3.65818
177	50	3.71216
178	50	3.75226
179	50	3.78617
180	50	3.81227
-180	51	4.32082
-179	51	4.34309
-178	51	4.34479
-177	51	4.31865
-176	51	4.30373
-175	51	4.26478
-174	51	4.21845
-173	51	4.15783
-172	51	4.08757
-171	51	4.0016
-170	51	3.8961
-169	51	3.77862
-168	51	3.64689
-167	51	3.49821
-166	51	3.33521
-165	51	3.13534
-164	51	2.91761
-163	51	2.69871

-162	51	2.46211
-161	51	2.20577
-160	51	1.94302
-159	51	1.66701
-158	51	1.39242
-157	51	1.13665
-156	51	0.873632
-155	51	0.648983
-154	51	0.423609
-153	51	0.285227
-152	51	0.243636
-151	51	0.240402
-150	51	0.361012
-149	51	0.591359
-148	51	0.866458
-147	51	1.19513
-146	51	1.56801
-145	51	1.94618
-144	51	2.32478
-143	51	2.68789
-142	51	3.02439
-141	51	3.31142
-140	51	3.55659
-139	51	3.7405
-138	51	3.86149
-137	51	3.91733
-136	51	3.89397
-135	51	3.78454
-134	51	3.57906
-133	51	3.27944
-132	51	2.90275
-131	51	2.37964
-130	51	1.70971
-129	51	0.890124
-128	51	-0.0837017
-127	51	-1.19518
-126	51	-2.39141
-125	51	-3.43315
-124	51	-4.21154
-123	51	-4.30199
-122	51	-3.66149
-121	51	-2.59483
-120	51	-1.44577
-119	51	-0.349061
-118	51	0.575783
-117	51	1.28804
-116	51	1.79668
-115	51	2.10247
-114	51	2.23317
-113	51	2.16684
-112	51	1.88918
-111	51	1.38146
-110	51	0.607087
-109	51	-0.488582
-108	51	-1.99932
-107	51	-4.08326
-106	51	-7.02408
-105	51	-10.4635
-104	51	-13.3832
-103	51	-10.5106
-102	51	-6.82891
-101	51	-4.15442
-100	51	-2.16124
-99	51	-0.705371
-98	51	0.271517
-97	51	0.897273
-96	51	1.19535
-95	51	1.20928
-94	51	0.961216
-93	51	0.388097
-92	51	-0.564896
-91	51	-1.93591
-90	51	-4.02506
-89	51	-7.17894
-88	51	-12.2014
-87	51	-17.7823
-86	51	-11.568
-85	51	-6.66477
-84	51	-3.58381
-83	51	-1.48497
-82	51	-0.00371199
-81	51	1.04142
-80	51	1.74595
-79	51	2.1171
-78	51	2.21141
-77	51	2.07528
-76	51	1.6918
-75	51	1.10857
-74	51	0.226926
-73	51	-0.951288
-72	51	-2.45349
-71	51	-4.12253
-70	51	-5.61497
-69	51	-5.94801
-68	51	-4.85867
-67	51	-3.14494
-66	51	-1.48567

-65	51	-0.0696117
-64	51	1.07671
-63	51	1.95222
-62	51	2.56598
-61	51	3.0012
-60	51	3.2516
-59	51	3.33297
-58	51	3.25828
-57	51	3.03884
-56	51	2.66777
-55	51	2.14684
-54	51	1.52391
-53	51	0.8274
-52	51	0.110719
-51	51	-0.509488
-50	51	-0.905241
-49	51	-0.96677
-48	51	-0.670588
-47	51	-0.133751
-46	51	0.562051
-45	51	1.28671
-44	51	1.97196
-43	51	2.59081
-42	51	3.12227
-41	51	3.55711
-40	51	3.90257
-39	51	4.15215
-38	51	4.31311
-37	51	4.40239
-36	51	4.38458
-35	51	4.33326
-34	51	4.23212
-33	51	4.08055
-32	51	3.88157
-31	51	3.64705
-30	51	3.38195
-29	51	3.10357
-28	51	2.82458
-27	51	2.55433
-26	51	2.3017
-25	51	2.08463
-24	51	1.90686
-23	51	1.80979
-22	51	1.73102
-21	51	1.72992
-20	51	1.77332
-19	51	1.86104
-18	51	1.98703
-17	51	2.13193
-16	51	2.29823
-15	51	2.48941
-14	51	2.68232
-13	51	2.85366
-12	51	3.02738
-11	51	3.20417
-10	51	3.33674
-9	51	3.47714
-8	51	3.64293
-7	51	3.73041
-6	51	3.86793
-5	51	3.91047
-4	51	4.04698
-3	51	4.11212
-2	51	4.16045
-1	51	4.19545
0	51	4.22822
1	51	4.25513
2	51	4.25631
3	51	4.24343
4	51	4.22126
5	51	4.19619
6	51	4.15292
7	51	4.09426
8	51	4.05823
9	51	3.98273
10	51	3.86111
11	51	3.73362
12	51	3.60464
13	51	3.48788
14	51	3.34622
15	51	3.13172
16	51	2.93053
17	51	2.7183
18	51	2.48916
19	51	2.2456
20	51	1.99036
21	51	1.73272
22	51	1.46938
23	51	1.22114
24	51	0.992009
25	51	0.798139
26	51	0.644364
27	51	0.554567
28	51	0.544148
29	51	0.555055
30	51	0.765826
31	51	0.931469

32	51	1.14808
33	51	1.48577
34	51	1.84745
35	51	2.21746
36	51	2.57585
37	51	2.91651
38	51	3.22811
39	51	3.49773
40	51	3.71777
41	51	3.88273
42	51	3.98507
43	51	4.01786
44	51	3.9739
45	51	3.84561
46	51	3.6847
47	51	3.38435
48	51	2.96529
49	51	2.41888
50	51	1.73223
51	51	0.945221
52	51	-0.0443063
53	51	-1.17089
54	51	-2.35987
55	51	-3.45265
56	51	-4.10319
57	51	-4.03512
58	51	-3.28339
59	51	-2.16015
60	51	-1.00533
61	51	0.021212
62	51	0.910305
63	51	1.59332
64	51	2.08363
65	51	2.37811
66	51	2.48698
67	51	2.39643
68	51	2.09459
69	51	1.55887
70	51	0.748824
71	51	-0.391996
72	51	-1.94275
73	51	-4.07206
74	51	-6.98753
75	51	-10.5678
76	51	-13.1096
77	51	-10.187
78	51	-6.52102
79	51	-3.8553
80	51	-1.90399
81	51	-0.495361
82	51	0.467808
83	51	1.08119
84	51	1.39454
85	51	1.41754
86	51	1.15007
87	51	0.588562
88	51	-0.341688
89	51	-1.71747
90	51	-3.73619
91	51	-6.70481
92	51	-11.1782
93	51	-16.9132
94	51	-11.678
95	51	-6.74853
96	51	-3.59057
97	51	-1.55975
98	51	0.00830216
99	51	1.08626
100	51	1.81665
101	51	2.21673
102	51	2.34546
103	51	2.25131
104	51	1.92112
105	51	1.40313
106	51	0.584821
107	51	-0.540269
108	51	-1.90061
109	51	-3.47618
110	51	-4.89289
111	51	-5.4384
112	51	-4.67947
113	51	-3.16152
114	51	-1.55509
115	51	-0.146843
116	51	1.00265
117	51	1.90014
118	51	2.56784
119	51	3.02896
120	51	3.3053
121	51	3.41047
122	51	3.3553
123	51	3.15087
124	51	2.80712
125	51	2.32428
126	51	1.76196
127	51	1.11824
128	51	0.462608

129	51	-0.11295
130	51	-0.499322
131	51	-0.597751
132	51	-0.385321
133	51	0.0776794
134	51	0.69033
135	51	1.35135
136	51	1.98805
137	51	2.56974
138	51	3.07668
139	51	3.49558
140	51	3.82968
141	51	4.07824
142	51	4.26528
143	51	4.3351
144	51	4.38104
145	51	4.3246
146	51	4.20056
147	51	4.03463
148	51	3.8281
149	51	3.59069
150	51	3.32578
151	51	3.0505
152	51	2.77614
153	51	2.51804
154	51	2.28077
155	51	2.09127
156	51	1.93906
157	51	1.83608
158	51	1.81088
159	51	1.83293
160	51	1.89507
161	51	1.98377
162	51	2.14075
163	51	2.31168
164	51	2.49916
165	51	2.71247
166	51	2.91397
167	51	3.08831
168	51	3.26677
169	51	3.42722
170	51	3.57065
171	51	3.71462
172	51	3.83433
173	51	3.93105
174	51	4.0351
175	51	4.11209
176	51	4.18004
177	51	4.2409
178	51	4.27117
179	51	4.29414
180	51	4.32082
-180	52	4.70493
-179	52	4.73111
-178	52	4.74008
-177	52	4.72625
-176	52	4.716
-175	52	4.6787
-174	52	4.63955
-173	52	4.5894
-172	52	4.52964
-171	52	4.45608
-170	52	4.36984
-169	52	4.26854
-168	52	4.15484
-167	52	4.03173
-166	52	3.89646
-165	52	3.72212
-164	52	3.53333
-163	52	3.34282
-162	52	3.12677
-161	52	2.87545
-160	52	2.60543
-159	52	2.36662
-158	52	2.04067
-157	52	1.76055
-156	52	1.43849
-155	52	1.1452
-154	52	0.856322
-153	52	0.60071
-152	52	0.363438
-151	52	0.273469
-150	52	0.24088
-149	52	0.197104
-148	52	0.346196
-147	52	0.580202
-146	52	0.894233
-145	52	1.25965
-144	52	1.64244
-143	52	2.02922
-142	52	2.41064
-141	52	2.77306
-140	52	3.08442
-139	52	3.34111
-138	52	3.53779
-137	52	3.67006
-136	52	3.72583

-135	52	3.71183
-134	52	3.59904
-133	52	3.39115
-132	52	3.07998
-131	52	2.64821
-130	52	2.12552
-129	52	1.42384
-128	52	0.562263
-127	52	-0.456952
-126	52	-1.60871
-125	52	-2.80385
-124	52	-3.82457
-123	52	-4.30976
-122	52	-4.09183
-121	52	-3.23427
-120	52	-2.09558
-119	52	-0.959554
-118	52	0.0496681
-117	52	0.865001
-116	52	1.49869
-115	52	1.93397
-114	52	2.15614
-113	52	2.17134
-112	52	1.96953
-111	52	1.54075
-110	52	0.856225
-109	52	-0.135569
-108	52	-1.51066
-107	52	-3.39596
-106	52	-6.06491
-105	52	-9.64663
-104	52	-12.7455
-103	52	-11.2531
-102	52	-7.48001
-101	52	-4.607
-100	52	-2.52517
-99	52	-0.991582
-98	52	0.070762
-97	52	0.75998
-96	52	1.12525
-95	52	1.20536
-94	52	0.959731
-93	52	0.418242
-92	52	-0.505822
-91	52	-1.90152
-90	52	-3.94212
-89	52	-6.91164
-88	52	-11.533
-87	52	-16.0841
-86	52	-11.0406
-85	52	-6.51009
-84	52	-3.51318
-83	52	-1.45019
-82	52	0.0194378
-81	52	1.04195
-80	52	1.72123
-79	52	2.02175
-78	52	2.09931
-77	52	1.95423
-76	52	1.56426
-75	52	0.913931
-74	52	-0.0243092
-73	52	-1.27085
-72	52	-2.81193
-71	52	-4.49569
-70	52	-5.74682
-69	52	-5.74648
-68	52	-4.40018
-67	52	-2.65059
-66	52	-1.06211
-65	52	0.293038
-64	52	1.35416
-63	52	2.11924
-62	52	2.70707
-61	52	3.08312
-60	52	3.26734
-59	52	3.2717
-58	52	3.11123
-57	52	2.79239
-56	52	2.3234
-55	52	1.72799
-54	52	1.03716
-53	52	0.30708
-52	52	-0.407507
-51	52	-0.950874
-50	52	-1.15762
-49	52	-1.03016
-48	52	-0.526173
-47	52	0.164202
-46	52	0.925963
-45	52	1.66565
-44	52	2.33528
-43	52	2.91591
-42	52	3.38656
-41	52	3.75422
-40	52	4.02864
-39	52	4.18822

-38	52	4.28417
-37	52	4.31656
-36	52	4.27666
-35	52	4.17663
-34	52	4.01976
-33	52	3.81236
-32	52	3.57099
-31	52	3.25629
-30	52	3.01309
-29	52	2.72954
-28	52	2.46445
-27	52	2.22426
-26	52	2.03062
-25	52	1.88739
-24	52	1.80392
-23	52	1.78694
-22	52	1.81854
-21	52	1.90587
-20	52	2.03913
-19	52	2.19576
-18	52	2.38282
-17	52	2.57373
-16	52	2.77912
-15	52	2.99825
-14	52	3.20086
-13	52	3.36402
-12	52	3.56373
-11	52	3.73289
-10	52	3.84463
-9	52	4.00122
-8	52	4.10494
-7	52	4.22059
-6	52	4.26638
-5	52	4.36791
-4	52	4.43473
-3	52	4.49197
-2	52	4.53992
-1	52	4.56531
0	52	4.58739
1	52	4.60493
2	52	4.61948
3	52	4.61609
4	52	4.60619
5	52	4.58249
6	52	4.55538
7	52	4.5262
8	52	4.44937
9	52	4.38637
10	52	4.34355
11	52	4.26209
12	52	4.14569
13	52	4.02111
14	52	3.91308
15	52	3.72169
16	52	3.54136
17	52	3.35137
18	52	3.13677
19	52	2.90132
20	52	2.65299
21	52	2.39
22	52	2.11043
23	52	1.82313
24	52	1.52817
25	52	1.24407
26	52	0.980094
27	52	0.75264
28	52	0.58794
29	52	0.510575
30	52	0.459184
31	52	0.631622
32	52	0.658382
33	52	0.915375
34	52	1.1651
35	52	1.52716
36	52	1.90446
37	52	2.2844
38	52	2.6465
39	52	2.97857
40	52	3.26927
41	52	3.50324
42	52	3.67999
43	52	3.79027
44	52	3.82497
45	52	3.77936
46	52	3.64533
47	52	3.41477
48	52	3.15523
49	52	2.71044
50	52	2.12607
51	52	1.41604
52	52	0.585975
53	52	-0.439395
54	52	-1.58899
55	52	-2.75815
56	52	-3.72606
57	52	-4.12381
58	52	-3.76419

59	52	-2.83327
60	52	-1.67843
61	52	-0.559979
62	52	0.391233
63	52	1.18983
64	52	1.79384
65	52	2.18977
66	52	2.38229
67	52	2.37459
68	52	2.15298
69	52	1.70869
70	52	0.997813
71	52	-0.0390558
72	52	-1.451
73	52	-3.3902
74	52	-6.09199
75	52	-9.75716
76	52	-12.7435
77	52	-10.8273
78	52	-7.15112
79	52	-4.28469
80	52	-2.25221
81	52	-0.693005
82	52	0.310383
83	52	0.983394
84	52	1.33976
85	52	1.40063
86	52	1.15887
87	52	0.616472
88	52	-0.285056
89	52	-1.60922
90	52	-3.57474
91	52	-6.35374
92	52	-10.7258
93	52	-15.4051
94	52	-11.3059
95	52	-6.66175
96	52	-3.58469
97	52	-1.44919
98	52	0.0469268
99	52	1.09314
100	52	1.80026
101	52	2.10194
102	52	2.26445
103	52	2.16197
104	52	1.83477
105	52	1.23813
106	52	0.368482
107	52	-0.786594
108	52	-2.2118
109	52	-3.78035
110	52	-5.06171
111	52	-5.31282
112	52	-4.31143
113	52	-2.72581
114	52	-1.15377
115	52	0.191004
116	52	1.27082
117	52	2.09817
118	52	2.69785
119	52	3.09419
120	52	3.30361
121	52	3.34072
122	52	3.21722
123	52	2.9408
124	52	2.52402
125	52	1.98626
126	52	1.35191
127	52	0.673001
128	52	0.030584
129	52	-0.447046
130	52	-0.702235
131	52	-0.613463
132	52	-0.224864
133	52	0.352795
134	52	1.01669
135	52	1.68212
136	52	2.30384
137	52	2.8511
138	52	3.30299
139	52	3.66648
140	52	3.92931
141	52	4.11465
142	52	4.30385
143	52	4.31255
144	52	4.25018
145	52	4.13355
146	52	3.96847
147	52	3.75615
148	52	3.50899
149	52	3.24989
150	52	2.95327
151	52	2.68886
152	52	2.4376
153	52	2.21801
154	52	2.05459
155	52	1.94382

156	52	1.88688
157	52	1.8335
158	52	1.95237
159	52	2.05197
160	52	2.21039
161	52	2.40392
162	52	2.60639
163	52	2.80818
164	52	3.01575
165	52	3.22781
166	52	3.43226
167	52	3.60756
168	52	3.769
169	52	3.92083
170	52	4.06876
171	52	4.19564
172	52	4.29985
173	52	4.3979
174	52	4.47647
175	52	4.53381
176	52	4.60605
177	52	4.64916
178	52	4.67011
179	52	4.69004
180	52	4.70493
-180	53	4.97938
-179	53	5.00103
-178	53	5.00816
-177	53	5.00529
-176	53	4.99806
-175	53	4.96247
-174	53	4.92868
-173	53	4.88611
-172	53	4.83453
-171	53	4.77466
-170	53	4.71475
-169	53	4.64255
-168	53	4.55719
-167	53	4.46155
-166	53	4.3452
-165	53	4.20146
-164	53	4.04528
-163	53	3.87482
-162	53	3.68851
-161	53	3.47992
-160	53	3.24343
-159	53	3.0206
-158	53	2.71001
-157	53	2.43377
-156	53	2.10367
-155	53	1.77603
-154	53	1.43995
-153	53	1.07968
-152	53	0.807898
-151	53	0.54491
-150	53	0.340725
-149	53	0.222363
-148	53	0.201361
-147	53	0.289989
-146	53	0.47583
-145	53	0.655855
-144	53	1.00405
-143	53	1.37082
-142	53	1.7778
-141	53	2.19377
-140	53	2.55605
-139	53	2.87514
-138	53	3.14066
-137	53	3.34405
-136	53	3.47521
-135	53	3.52748
-134	53	3.49293
-133	53	3.38426
-132	53	3.16015
-131	53	2.82379
-130	53	2.36275
-129	53	1.80262
-128	53	1.05171
-127	53	0.136434
-126	53	-0.935465
-125	53	-2.11462
-124	53	-3.24977
-123	53	-4.07176
-122	53	-4.23758
-121	53	-3.71546
-120	53	-2.70732
-119	53	-1.56264
-118	53	-0.493668
-117	53	0.422697
-116	53	1.14408
-115	53	1.66085
-114	53	1.9823
-113	53	2.09111
-112	53	1.97979
-111	53	1.63855
-110	53	1.03878
-109	53	0.13169

-108	53	-1.13211
-107	53	-2.86294
-106	53	-5.24685
-105	53	-8.75619
-104	53	-12.2196
-103	53	-11.9723
-102	53	-8.16291
-101	53	-5.09711
-100	53	-2.8588
-99	53	-1.24481
-98	53	-0.102283
-97	53	0.668852
-96	53	1.0938
-95	53	1.1985
-94	53	0.986284
-93	53	0.482417
-92	53	-0.385473
-91	53	-1.69696
-90	53	-3.68114
-89	53	-6.52709
-88	53	-10.7641
-87	53	-14.7965
-86	53	-10.9664
-85	53	-6.54277
-84	53	-3.57078
-83	53	-1.49485
-82	53	-0.0432872
-81	53	0.977252
-80	53	1.64269
-79	53	1.92122
-78	53	1.98146
-77	53	1.80062
-76	53	1.38903
-75	53	0.693541
-74	53	-0.308419
-73	53	-1.62417
-72	53	-3.21744
-71	53	-4.85601
-70	53	-5.84509
-69	53	-5.41202
-68	53	-3.93512
-67	53	-2.20494
-66	53	-0.664316
-65	53	0.542394
-64	53	1.54034
-63	53	2.27823
-62	53	2.77462
-61	53	3.07223
-60	53	3.1919
-59	53	3.11424
-58	53	2.87606
-57	53	2.48495
-56	53	1.94431
-55	53	1.28393
-54	53	0.541631
-53	53	-0.214915
-52	53	-0.858282
-51	53	-1.22473
-50	53	-1.24917
-49	53	-0.849752
-48	53	-0.209155
-47	53	0.570593
-46	53	1.34933
-45	53	2.06231
-44	53	2.68652
-43	53	3.20191
-42	53	3.59885
-41	53	3.88844
-40	53	4.09739
-39	53	4.22466
-38	53	4.27453
-37	53	4.2391
-36	53	4.13825
-35	53	3.98032
-34	53	3.76778
-33	53	3.51806
-32	53	3.24084
-31	53	2.95736
-30	53	2.67372
-29	53	2.41168
-28	53	2.18082
-27	53	2.0032
-26	53	1.88957
-25	53	1.83721
-24	53	1.85682
-23	53	1.93709
-22	53	2.05794
-21	53	2.21854
-20	53	2.42717
-19	53	2.63115
-18	53	2.8387
-17	53	3.05675
-16	53	3.27467
-15	53	3.48054
-14	53	3.63175
-13	53	3.83267
-12	53	3.98503

-11	53	4.14038
-10	53	4.28252
-9	53	4.38036
-8	53	4.49073
-7	53	4.55853
-6	53	4.63924
-5	53	4.7131
-4	53	4.76372
-3	53	4.81112
-2	53	4.84699
-1	53	4.88353
0	53	4.90489
1	53	4.91829
2	53	4.90104
3	53	4.89187
4	53	4.87623
5	53	4.85739
6	53	4.83505
7	53	4.80118
8	53	4.77475
9	53	4.72869
10	53	4.65815
11	53	4.60235
12	53	4.53202
13	53	4.433
14	53	4.33271
15	53	4.2005
16	53	4.04129
17	53	3.87969
18	53	3.68521
19	53	3.48333
20	53	3.25722
21	53	3.0076
22	53	2.73324
23	53	2.44918
24	53	2.14941
25	53	1.8356
26	53	1.52568
27	53	1.22428
28	53	0.94551
29	53	0.789711
30	53	0.550428
31	53	0.462643
32	53	0.442644
33	53	0.560778
34	53	0.762615
35	53	1.03711
36	53	1.31243
37	53	1.68097
38	53	2.05893
39	53	2.42378
40	53	2.76596
41	53	3.06745
42	53	3.3145
43	53	3.49833
44	53	3.61164
45	53	3.64998
46	53	3.5983
47	53	3.45132
48	53	3.19859
49	53	2.9189
50	53	2.43866
51	53	1.82912
52	53	1.06028
53	53	0.175819
54	53	-0.903299
55	53	-2.07348
56	53	-3.17581
57	53	-3.92953
58	53	-4.0028
59	53	-3.36256
60	53	-2.29846
61	53	-1.15015
62	53	-0.0931524
63	53	0.784007
64	53	1.47424
65	53	1.96756
66	53	2.23962
67	53	2.3165
68	53	2.17666
69	53	1.80786
70	53	1.19321
71	53	0.262933
72	53	-1.04775
73	53	-2.82311
74	53	-5.30226
75	53	-8.79735
76	53	-12.2357
77	53	-11.5792
78	53	-7.73924
79	53	-4.72908
80	53	-2.5582
81	53	-0.955937
82	53	0.17366
83	53	0.911469
84	53	1.32735
85	53	1.43708

86	53	1.23817
87	53	0.727419
88	53	-0.103445
89	53	-1.37165
90	53	-3.33243
91	53	-6.0047
92	53	-10.0556
93	53	-14.172
94	53	-11.0234
95	53	-6.62414
96	53	-3.58012
97	53	-1.47052
98	53	0.0287316
99	53	1.08132
100	53	1.77778
101	53	2.08326
102	53	2.16153
103	53	2.03279
104	53	1.68013
105	53	1.04668
106	53	0.150471
107	53	-1.06988
108	53	-2.55919
109	53	-4.13538
110	53	-5.26186
111	53	-5.18469
112	53	-3.94383
113	53	-2.3095
114	53	-0.78363
115	53	0.485878
116	53	1.48413
117	53	2.23387
118	53	2.76141
119	53	3.08887
120	53	3.23252
121	53	3.20354
122	53	3.00843
123	53	2.66051
124	53	2.17205
125	53	1.56829
126	53	0.887542
127	53	0.202972
128	53	-0.39016
129	53	-0.756197
130	53	-0.805976
131	53	-0.526383
132	53	-0.000369151
133	53	0.658352
134	53	1.34495
135	53	1.99895
136	53	2.58507
137	53	3.08457
138	53	3.48555
139	53	3.79318
140	53	4.12881
141	53	4.23335
142	53	4.25605
143	53	4.20234
144	53	4.08399
145	53	3.91891
146	53	3.69852
147	53	3.45789
148	53	3.17515
149	53	2.90644
150	53	2.63901
151	53	2.39569
152	53	2.18983
153	53	1.92887
154	53	1.85963
155	53	1.85344
156	53	1.91629
157	53	2.03643
158	53	2.20603
159	53	2.39587
160	53	2.6057
161	53	2.85072
162	53	3.07559
163	53	3.29886
164	53	3.51303
165	53	3.70957
166	53	3.89514
167	53	4.06416
168	53	4.21568
169	53	4.35302
170	53	4.47448
171	53	4.58009
172	53	4.67273
173	53	4.74476
174	53	4.80554
175	53	4.86732
176	53	4.90618
177	53	4.92567
178	53	4.96302
179	53	4.9801
180	53	4.97938
-180	54	5.17063
-179	54	5.17454

-178	54	5.16314
-177	54	5.15742
-176	54	5.14733
-175	54	5.10161
-174	54	5.0998
-173	54	5.07507
-172	54	5.04312
-171	54	4.99451
-170	54	4.93978
-169	54	4.88172
-168	54	4.82378
-167	54	4.75502
-166	54	4.66804
-165	54	4.55879
-164	54	4.43974
-163	54	4.30063
-162	54	4.14237
-161	54	3.97019
-160	54	3.79582
-159	54	3.55141
-158	54	3.28873
-157	54	3.02718
-156	54	2.73149
-155	54	2.40661
-154	54	2.04949
-153	54	1.73494
-152	54	1.37616
-151	54	1.04357
-150	54	0.734114
-149	54	0.479964
-148	54	0.298713
-147	54	0.215209
-146	54	0.23643
-145	54	0.36817
-144	54	0.607309
-143	54	0.894548
-142	54	1.19095
-141	54	1.60988
-140	54	2.0054
-139	54	2.37511
-138	54	2.69931
-137	54	2.96787
-136	54	3.17105
-135	54	3.29647
-134	54	3.34112
-133	54	3.29655
-132	54	3.1539
-131	54	2.92278
-130	54	2.54561
-129	54	2.03562
-128	54	1.42182
-127	54	0.612907
-126	54	-0.35976
-125	54	-1.48037
-124	54	-2.66082
-123	54	-3.70231
-122	54	-4.26009
-121	54	-4.06652
-120	54	-3.2248
-119	54	-2.16156
-118	54	-1.02587
-117	54	-0.0230524
-116	54	0.79098
-115	54	1.38649
-114	54	1.78231
-113	54	1.97023
-112	54	1.93883
-111	54	1.67338
-110	54	1.17003
-109	54	0.356074
-108	54	-0.81952
-107	54	-2.44542
-106	54	-4.69168
-105	54	-7.92996
-104	54	-11.536
-103	54	-12.3117
-102	54	-8.68155
-101	54	-5.43682
-100	54	-3.08945
-99	54	-1.41801
-98	54	-0.188066
-97	54	0.624251
-96	54	1.09956
-95	54	1.23491
-94	54	1.08636
-93	54	0.623035
-92	54	-0.210473
-91	54	-1.49119
-90	54	-3.42828
-89	54	-6.08467
-88	54	-10.0223
-87	54	-13.9804
-86	54	-10.9308
-85	54	-6.6784
-84	54	-3.6934
-83	54	-1.62333
-82	54	-0.152859

-81	54	0.866464
-80	54	1.485
-79	54	1.74657
-78	54	1.79467
-77	54	1.62959
-76	54	1.17694
-75	54	0.43343
-74	54	-0.620708
-73	54	-1.98805
-72	54	-3.60724
-71	54	-5.157
-70	54	-5.81681
-69	54	-5.1003
-68	54	-3.49127
-67	54	-1.79799
-66	54	-0.391021
-65	54	0.800316
-64	54	1.70432
-63	54	2.35986
-62	54	2.78198
-61	54	3.0172
-60	54	3.08646
-59	54	2.92281
-58	54	2.62218
-57	54	2.1415
-56	54	1.51494
-55	54	0.797233
-54	54	0.0127253
-53	54	-0.735615
-52	54	-1.26708
-51	54	-1.48028
-50	54	-1.19965
-49	54	-0.589215
-48	54	0.191738
-47	54	1.01314
-46	54	1.7857
-45	54	2.45438
-44	54	3.02855
-43	54	3.46029
-42	54	3.78029
-41	54	4.0286
-40	54	4.17982
-39	54	4.23961
-38	54	4.21482
-37	54	4.11572
-36	54	3.96089
-35	54	3.74927
-34	54	3.49837
-33	54	3.22942
-32	54	2.93467
-31	54	2.64965
-30	54	2.39151
-29	54	2.16415
-28	54	1.99771
-27	54	1.90944
-26	54	1.89058
-25	54	1.93332
-24	54	2.03134
-23	54	2.18715
-22	54	2.38413
-21	54	2.60492
-20	54	2.82663
-19	54	3.05293
-18	54	3.27252
-17	54	3.48272
-16	54	3.6879
-15	54	3.87535
-14	54	4.02826
-13	54	4.19095
-12	54	4.33349
-11	54	4.44928
-10	54	4.55839
-9	54	4.66699
-8	54	4.73682
-7	54	4.80967
-6	54	4.85901
-5	54	4.90743
-4	54	4.94435
-3	54	4.97343
-2	54	5.00024
-1	54	5.01998
0	54	5.04754
1	54	5.07135
2	54	5.08425
3	54	5.07711
4	54	5.06439
5	54	5.05047
6	54	5.02709
7	54	5.02133
8	54	5.00156
9	54	4.96528
10	54	4.92315
11	54	4.86041
12	54	4.79378
13	54	4.72201
14	54	4.63274
15	54	4.55135

16	54	4.42161
17	54	4.29369
18	54	4.13831
19	54	3.96845
20	54	3.76724
21	54	3.57226
22	54	3.33087
23	54	3.06376
24	54	2.77538
25	54	2.46125
26	54	2.13649
27	54	1.80721
28	54	1.47263
29	54	1.22412
30	54	0.885725
31	54	0.633326
32	54	0.510581
33	54	0.456872
34	54	0.509141
35	54	0.658353
36	54	0.895839
37	54	1.19397
38	54	1.53681
39	54	1.86656
40	54	2.2393
41	54	2.58909
42	54	2.89459
43	54	3.14531
44	54	3.33055
45	54	3.4398
46	54	3.4652
47	54	3.39742
48	54	3.23426
49	54	2.95871
50	54	2.6316
51	54	2.1205
52	54	1.44815
53	54	0.617937
54	54	-0.331228
55	54	-1.46258
56	54	-2.62608
57	54	-3.621
58	54	-4.06719
59	54	-3.76751
60	54	-2.87724
61	54	-1.73328
62	54	-0.614581
63	54	0.355811
64	54	1.13227
65	54	1.69898
66	54	2.06796
67	54	2.2171
68	54	2.15892
69	54	1.87012
70	54	1.33134
71	54	0.502357
72	54	-0.704449
73	54	-2.37093
74	54	-4.66749
75	54	-7.90484
76	54	-11.5582
77	54	-11.9762
78	54	-8.33109
79	54	-5.05641
80	54	-2.71174
81	54	-1.10384
82	54	0.112423
83	54	0.909998
84	54	1.36457
85	54	1.5102
86	54	1.34241
87	54	0.886339
88	54	0.0957819
89	54	-1.1338
90	54	-2.97293
91	54	-5.54362
92	54	-9.26347
93	54	-13.2324
94	54	-11.0099
95	54	-6.76448
96	54	-3.72193
97	54	-1.58538
98	54	-0.0778229
99	54	0.974006
100	54	1.62821
101	54	1.93073
102	54	2.03377
103	54	1.91897
104	54	1.51648
105	54	0.811417
106	54	-0.198114
107	54	-1.47761
108	54	-2.96146
109	54	-4.44224
110	54	-5.34169
111	54	-4.96798
112	54	-3.58535

113	54	-1.95443
114	54	-0.483527
115	54	0.722105
116	54	1.65967
117	54	2.34917
118	54	2.81415
119	54	3.07286
120	54	3.13987
121	54	3.02599
122	54	2.74908
123	54	2.32841
124	54	1.77899
125	54	1.12399
126	54	0.394405
127	54	-0.276742
128	54	-0.771967
129	54	-0.951916
130	54	-0.776258
131	54	-0.301431
132	54	0.358589
133	54	1.08355
134	54	1.78487
135	54	2.40843
136	54	2.93465
137	54	3.3627
138	54	3.83233
139	54	4.05763
140	54	4.17684
141	54	4.21405
142	54	4.17356
143	54	4.06381
144	54	3.89775
145	54	3.68662
146	54	3.42503
147	54	3.15931
148	54	2.87741
149	54	2.61191
150	54	2.25762
151	54	2.06725
152	54	1.9478
153	54	1.90316
154	54	1.94152
155	54	2.03517
156	54	2.1853
157	54	2.37617
158	54	2.59459
159	54	2.83819
160	54	3.07332
161	54	3.31489
162	54	3.54982
163	54	3.76117
164	54	3.95722
165	54	4.13302
166	54	4.29158
167	54	4.4357
168	54	4.56363
169	54	4.68241
170	54	4.77635
171	54	4.85951
172	54	4.93421
173	54	4.99317
174	54	5.03995
175	54	5.06943
176	54	5.09802
177	54	5.12714
178	54	5.13946
179	54	5.14552
180	54	5.17063
-180	55	5.22343
-179	55	5.21253
-178	55	5.20883
-177	55	5.20329
-176	55	5.18802
-175	55	5.15871
-174	55	5.14715
-173	55	5.12447
-172	55	5.11183
-171	55	5.09285
-170	55	5.05973
-169	55	5.0208
-168	55	4.97539
-167	55	4.92147
-166	55	4.85297
-165	55	4.77979
-164	55	4.69924
-163	55	4.59112
-162	55	4.46024
-161	55	4.31739
-160	55	4.14516
-159	55	3.95365
-158	55	3.74086
-157	55	3.50723
-156	55	3.24475
-155	55	2.94337
-154	55	2.65236
-153	55	2.30814
-152	55	1.96372

-151	55	1.6024
-150	55	1.25325
-149	55	0.922273
-148	55	0.635858
-147	55	0.418048
-146	55	0.287484
-145	55	0.266065
-144	55	0.364717
-143	55	0.547398
-142	55	0.846773
-141	55	1.191
-140	55	1.56517
-139	55	1.90071
-138	55	2.27124
-137	55	2.59737
-136	55	2.8591
-135	55	3.04263
-134	55	3.14647
-133	55	3.16561
-132	55	3.09401
-131	55	2.91891
-130	55	2.62365
-129	55	2.22975
-128	55	1.66744
-127	55	0.987064
-126	55	0.102922
-125	55	-0.944539
-124	55	-2.10664
-123	55	-3.24702
-122	55	-4.08998
-121	55	-4.26949
-120	55	-3.69501
-119	55	-2.64803
-118	55	-1.56073
-117	55	-0.513713
-116	55	0.427651
-115	55	1.1167
-114	55	1.59767
-113	55	1.86047
-112	55	1.89587
-111	55	1.70581
-110	55	1.26734
-109	55	0.539579
-108	55	-0.548483
-107	55	-2.08394
-106	55	-4.21722
-105	55	-7.21114
-104	55	-11.2783
-103	55	-13.0297
-102	55	-9.40723
-101	55	-5.8511
-100	55	-3.33885
-99	55	-1.57124
-98	55	-0.264061
-97	55	0.602669
-96	55	1.11449
-95	55	1.30334
-94	55	1.20587
-93	55	0.757982
-92	55	-0.0360926
-91	55	-1.31998
-90	55	-3.10013
-89	55	-5.61646
-88	55	-9.29933
-87	55	-13.274
-86	55	-11.3255
-85	55	-6.97586
-84	55	-3.93818
-83	55	-1.80775
-82	55	-0.321159
-81	55	0.710429
-80	55	1.27291
-79	55	1.58258
-78	55	1.62668
-77	55	1.44054
-76	55	0.949108
-75	55	0.158046
-74	55	-0.955158
-73	55	-2.38206
-72	55	-4.01146
-71	55	-5.36816
-70	55	-5.73578
-69	55	-4.736
-68	55	-3.07865
-67	55	-1.50908
-66	55	-0.104546
-65	55	1.00396
-64	55	1.83534
-63	55	2.41986
-62	55	2.78002
-61	55	2.93663
-60	55	2.90043
-59	55	2.67605
-58	55	2.28782
-57	55	1.71323
-56	55	1.03917
-55	55	0.307949

-54	55	-0.50707
-53	55	-1.16251
-52	55	-1.55228
-51	55	-1.42931
-50	55	-0.907113
-49	55	-0.148294
-48	55	0.686653
-47	55	1.49249
-46	55	2.23797
-45	55	2.83735
-44	55	3.32507
-43	55	3.70352
-42	55	3.98124
-41	55	4.15328
-40	55	4.22474
-39	55	4.20167
-38	55	4.09887
-37	55	3.94668
-36	55	3.74309
-35	55	3.49274
-34	55	3.21463
-33	55	2.91614
-32	55	2.62197
-31	55	2.36401
-30	55	2.15247
-29	55	1.99627
-28	55	1.90967
-27	55	1.90749
-26	55	1.97712
-25	55	2.09238
-24	55	2.27819
-23	55	2.48802
-22	55	2.70522
-21	55	2.9655
-20	55	3.20431
-19	55	3.43243
-18	55	3.64674
-17	55	3.84712
-16	55	4.04894
-15	55	4.18413
-14	55	4.33758
-13	55	4.4624
-12	55	4.57324
-11	55	4.67681
-10	55	4.75985
-9	55	4.83238
-8	55	4.91571
-7	55	4.95212
-6	55	5.00423
-5	55	5.03531
-4	55	5.06561
-3	55	5.09105
-2	55	5.10872
-1	55	5.11942
0	55	5.12114
1	55	5.12206
2	55	5.12349
3	55	5.12487
4	55	5.11862
5	55	5.10109
6	55	5.08695
7	55	5.04848
8	55	5.01687
9	55	5.01927
10	55	5.01827
11	55	4.99557
12	55	4.95129
13	55	4.89782
14	55	4.83352
15	55	4.78338
16	55	4.70351
17	55	4.60121
18	55	4.4869
19	55	4.35203
20	55	4.18424
21	55	3.9945
22	55	3.77909
23	55	3.5502
24	55	3.29008
25	55	3.01279
26	55	2.70424
27	55	2.38028
28	55	2.04333
29	55	1.72006
30	55	1.36599
31	55	1.04882
32	55	0.740009
33	55	0.583665
34	55	0.498591
35	55	0.501588
36	55	0.618843
37	55	0.8224
38	55	1.10515
39	55	1.43876
40	55	1.79186
41	55	2.11617
42	55	2.45405

43	55	2.75458
44	55	3.00019
45	55	3.17654
46	55	3.27808
47	55	3.29041
48	55	3.19583
49	55	2.99709
50	55	2.67584
51	55	2.24041
52	55	1.74679
53	55	1.00723
54	55	0.105125
55	55	-0.925049
56	55	-2.09098
57	55	-3.20594
58	55	-3.97872
59	55	-4.04564
60	55	-3.38765
61	55	-2.31363
62	55	-1.15257
63	55	-0.106438
64	55	0.765325
65	55	1.44393
66	55	1.87827
67	55	2.11071
68	55	2.11661
69	55	1.89255
70	55	1.42281
71	55	0.669705
72	55	-0.440248
73	55	-2.00774
74	55	-4.17627
75	55	-7.2667
76	55	-11.478
77	55	-13.1385
78	55	-9.09946
79	55	-5.57297
80	55	-3.03429
81	55	-1.25681
82	55	0.0210251
83	55	0.887724
84	55	1.39035
85	55	1.57601
86	55	1.4642
87	55	1.05417
88	55	0.291497
89	55	-0.930733
90	55	-2.69177
91	55	-5.12159
92	55	-8.62481
93	55	-12.4393
94	55	-11.2013
95	55	-7.03483
96	55	-3.92559
97	55	-1.77047
98	55	-0.235298
99	55	0.83219
100	55	1.43569
101	55	1.79783
102	55	1.88267
103	55	1.74757
104	55	1.3179
105	55	0.602691
106	55	-0.413576
107	55	-1.72264
108	55	-3.27189
109	55	-4.76685
110	55	-5.42418
111	55	-4.70768
112	55	-3.1863
113	55	-1.5881
114	55	-0.210364
115	55	0.926079
116	55	1.80635
117	55	2.44503
118	55	2.84428
119	55	3.02334
120	55	3.01321
121	55	2.83406
122	55	2.49438
123	55	2.0044
124	55	1.38258
125	55	0.681154
126	55	-0.03684
127	55	-0.62767
128	55	-0.944547
129	55	-0.9414
130	55	-0.562335
131	55	0.0693215
132	55	0.799996
133	55	1.52489
134	55	2.18661
135	55	2.75703
136	55	3.27013
137	55	3.74785
138	55	3.98919
139	55	4.13455

140	55	4.18916
141	55	4.16454
142	55	4.06481
143	55	3.90479
144	55	3.68925
145	55	3.43931
146	55	3.16463
147	55	2.77605
148	55	2.49413
149	55	2.25122
150	55	2.07721
151	55	1.97113
152	55	1.94247
153	55	1.9928
154	55	2.10723
155	55	2.28624
156	55	2.50074
157	55	2.74713
158	55	3.00087
159	55	3.25525
160	55	3.49659
161	55	3.72638
162	55	3.94363
163	55	4.13216
164	55	4.31807
165	55	4.47071
166	55	4.60046
167	55	4.72072
168	55	4.82697
169	55	4.91846
170	55	4.99004
171	55	5.04984
172	55	5.09989
173	55	5.14443
174	55	5.17356
175	55	5.19184
176	55	5.20227
177	55	5.21089
178	55	5.2291
179	55	5.22752
180	55	5.22343
-180	56	5.18797
-179	56	5.15682
-178	56	5.15822
-177	56	5.13751
-176	56	5.14341
-175	56	5.13392
-174	56	5.12458
-173	56	5.10147
-172	56	5.09226
-171	56	5.08104
-170	56	5.06082
-169	56	5.03601
-168	56	5.00832
-167	56	4.97497
-166	56	4.9312
-165	56	4.88447
-164	56	4.82664
-163	56	4.74481
-162	56	4.64625
-161	56	4.53008
-160	56	4.4039
-159	56	4.23768
-158	56	4.06034
-157	56	3.8624
-156	56	3.63339
-155	56	3.396
-154	56	3.11255
-153	56	2.80398
-152	56	2.47133
-151	56	2.12587
-150	56	1.76498
-149	56	1.40723
-148	56	1.05476
-147	56	0.746279
-146	56	0.509598
-145	56	0.356563
-144	56	0.316232
-143	56	0.392756
-142	56	0.582791
-141	56	0.831863
-140	56	1.15323
-139	56	1.50834
-138	56	1.86826
-137	56	2.18312
-136	56	2.49766
-135	56	2.74998
-134	56	2.9237
-133	56	3.01378
-132	56	3.00942
-131	56	2.90084
-130	56	2.67849
-129	56	2.32981
-128	56	1.84202
-127	56	1.23486
-126	56	0.4698
-125	56	-0.509143

-124	56	-1.64339
-123	56	-2.84217
-122	56	-3.80826
-121	56	-4.38745
-120	56	-4.10911
-119	56	-3.20149
-118	56	-2.03292
-117	56	-0.888994
-116	56	0.0225786
-115	56	0.804315
-114	56	1.36784
-113	56	1.71221
-112	56	1.82739
-111	56	1.70744
-110	56	1.33997
-109	56	0.68438
-108	56	-0.314083
-107	56	-1.7489
-106	56	-3.77088
-105	56	-6.65577
-104	56	-10.7075
-103	56	-13.5417
-102	56	-10.2378
-101	56	-6.35109
-100	56	-3.65976
-99	56	-1.69655
-98	56	-0.370806
-97	56	0.547107
-96	56	1.13735
-95	56	1.37848
-94	56	1.29785
-93	56	0.869078
-92	56	0.124821
-91	56	-1.1179
-90	56	-2.86787
-89	56	-5.36102
-88	56	-8.8751
-87	56	-12.9668
-86	56	-11.6138
-85	56	-7.42632
-84	56	-4.17656
-83	56	-2.01577
-82	56	-0.491392
-81	56	0.50359
-80	56	1.11034
-79	56	1.40442
-78	56	1.41623
-77	56	1.21029
-76	56	0.693844
-75	56	-0.121581
-74	56	-1.25486
-73	56	-2.69074
-72	56	-4.22637
-71	56	-5.45965
-70	56	-5.53181
-69	56	-4.45491
-68	56	-2.78155
-67	56	-1.19051
-66	56	0.126005
-65	56	1.15197
-64	56	1.91141
-63	56	2.42263
-62	56	2.71274
-61	56	2.79916
-60	56	2.68906
-59	56	2.39441
-58	56	1.92855
-57	56	1.30825
-56	56	0.561832
-55	56	-0.238286
-54	56	-0.972044
-53	56	-1.47405
-52	56	-1.60648
-51	56	-1.23874
-50	56	-0.541213
-49	56	0.329168
-48	56	1.22821
-47	56	1.9763
-46	56	2.61123
-45	56	3.14342
-44	56	3.57895
-43	56	3.89434
-42	56	4.09078
-41	56	4.18729
-40	56	4.19423
-39	56	4.12282
-38	56	3.97782
-37	56	3.78325
-36	56	3.52258
-35	56	3.21672
-34	56	2.90561
-33	56	2.59905
-32	56	2.33783
-31	56	2.13176
-30	56	1.97336
-29	56	1.88182
-28	56	1.88873

-27	56	1.97416
-26	56	2.11968
-25	56	2.3167
-24	56	2.54505
-23	56	2.80033
-22	56	3.05105
-21	56	3.30158
-20	56	3.54498
-19	56	3.76421
-18	56	3.97006
-17	56	4.22094
-16	56	4.38679
-15	56	4.50236
-14	56	4.60389
-13	56	4.71181
-12	56	4.80289
-11	56	4.87839
-10	56	4.93805
-9	56	5.01076
-8	56	5.02546
-7	56	5.06397
-6	56	5.07533
-5	56	5.09118
-4	56	5.09363
-3	56	5.09944
-2	56	5.10556
-1	56	5.1128
0	56	5.11019
1	56	5.10197
2	56	5.10102
3	56	5.10971
4	56	5.11759
5	56	5.13363
6	56	5.132
7	56	5.13602
8	56	5.13012
9	56	5.09639
10	56	5.07649
11	56	5.02067
12	56	4.9842
13	56	4.95059
14	56	4.91695
15	56	4.90277
16	56	4.86666
17	56	4.76603
18	56	4.66606
19	56	4.55044
20	56	4.43564
21	56	4.29359
22	56	4.12497
23	56	3.929
24	56	3.6942
25	56	3.4521
26	56	3.17633
27	56	2.87227
28	56	2.55182
29	56	2.19099
30	56	1.85987
31	56	1.51906
32	56	1.19783
33	56	0.870006
34	56	0.711648
35	56	0.572906
36	56	0.548534
37	56	0.630458
38	56	0.809787
39	56	1.07219
40	56	1.38582
41	56	1.73106
42	56	2.0774
43	56	2.38612
44	56	2.67751
45	56	2.91097
46	56	3.06963
47	56	3.1412
48	56	3.11601
49	56	2.98886
50	56	2.74944
51	56	2.38514
52	56	1.88098
53	56	1.32058
54	56	0.502959
55	56	-0.480233
56	56	-1.5907
57	56	-2.7728
58	56	-3.77104
59	56	-4.20591
60	56	-3.84135
61	56	-2.89
62	56	-1.72359
63	56	-0.600798
64	56	0.355016
65	56	1.12146
66	56	1.67724
67	56	1.98357
68	56	2.08263
69	56	1.94293

70	56	1.54498
71	56	0.86757
72	56	-0.159283
73	56	-1.64015
74	56	-3.69447
75	56	-6.61572
76	56	-10.8485
77	56	-13.8113
78	56	-10.1113
79	56	-6.13867
80	56	-3.41863
81	56	-1.41429
82	56	-0.104119
83	56	0.830667
84	56	1.39477
85	56	1.62898
86	56	1.57225
87	56	1.20013
88	56	0.461773
89	56	-0.730435
90	56	-2.4057
91	56	-4.80385
92	56	-8.12123
93	56	-12.1705
94	56	-11.5789
95	56	-7.4319
96	56	-4.21431
97	56	-1.9686
98	56	-0.406011
99	56	0.641066
100	56	1.30662
101	56	1.64508
102	56	1.72474
103	56	1.56345
104	56	1.11273
105	56	0.36708
106	56	-0.690171
107	56	-2.03979
108	56	-3.57091
109	56	-4.89538
110	56	-5.21799
111	56	-4.2795
112	56	-2.76948
113	56	-1.24423
114	56	0.0828967
115	56	1.1354
116	56	1.90951
117	56	2.44149
118	56	2.74095
119	56	2.89207
120	56	2.82882
121	56	2.58938
122	56	2.18493
123	56	1.63513
124	56	0.972716
125	56	0.252755
126	56	-0.423096
127	56	-0.9091
128	56	-1.05781
129	56	-0.819854
130	56	-0.264068
131	56	0.460655
132	56	1.22004
133	56	1.93329
134	56	2.60765
135	56	3.22262
136	56	3.62844
137	56	3.90878
138	56	4.08478
139	56	4.16752
140	56	4.16319
141	56	4.08102
142	56	3.92088
143	56	3.71689
144	56	3.36361
145	56	3.07024
146	56	2.76652
147	56	2.49185
148	56	2.25529
149	56	2.079
150	56	1.97549
151	56	1.95388
152	56	2.0196
153	56	2.15863
154	56	2.35163
155	56	2.58652
156	56	2.8433
157	56	3.11634
158	56	3.37735
159	56	3.63007
160	56	3.87275
161	56	4.08375
162	56	4.27622
163	56	4.45005
164	56	4.58268
165	56	4.7142
166	56	4.80475

167	56	4.90048
168	56	4.9808
169	56	5.04454
170	56	5.0979
171	56	5.13733
172	56	5.17427
173	56	5.19676
174	56	5.20425
175	56	5.20808
176	56	5.20852
177	56	5.20744
178	56	5.20403
179	56	5.19988
180	56	5.18797
-180	57	5.07817
-179	57	5.05828
-178	57	5.03648
-177	57	5.04085
-176	57	5.0324
-175	57	5.00278
-174	57	5.01051
-173	57	4.98339
-172	57	4.98693
-171	57	4.98236
-170	57	4.97736
-169	57	4.96518
-168	57	4.95063
-167	57	4.92949
-166	57	4.90544
-165	57	4.88218
-164	57	4.84523
-163	57	4.78775
-162	57	4.71732
-161	57	4.57677
-160	57	4.53304
-159	57	4.4024
-158	57	4.25403
-157	57	4.06667
-156	57	3.90611
-155	57	3.67529
-154	57	3.4367
-153	57	3.1605
-152	57	2.85341
-151	57	2.52975
-150	57	2.19866
-149	57	1.84638
-148	57	1.48135
-147	57	1.12704
-146	57	0.82099
-145	57	0.575954
-144	57	0.414904
-143	57	0.374671
-142	57	0.419194
-141	57	0.563439
-140	57	0.823595
-139	57	1.14138
-138	57	1.49265
-137	57	1.84422
-136	57	2.17546
-135	57	2.45795
-134	57	2.68463
-133	57	2.83671
-132	57	2.89644
-131	57	2.85669
-130	57	2.69972
-129	57	2.4193
-128	57	2.00601
-127	57	1.4331
-126	57	0.739759
-125	57	-0.131315
-124	57	-1.21363
-123	57	-2.4191
-122	57	-3.59991
-121	57	-4.41224
-120	57	-4.4711
-119	57	-3.74894
-118	57	-2.59536
-117	57	-1.38645
-116	57	-0.318269
-115	57	0.490521
-114	57	1.12896
-113	57	1.54856
-112	57	1.73601
-111	57	1.68621
-110	57	1.383
-109	57	0.802558
-108	57	-0.111121
-107	57	-1.44633
-106	57	-3.3523
-105	57	-6.09393
-104	57	-10.049
-103	57	-14.2851
-102	57	-11.4399
-101	57	-7.03689
-100	57	-4.00697
-99	57	-1.94106
-98	57	-0.519147

-97	57	0.483232
-96	57	1.10978
-95	57	1.38945
-94	57	1.34267
-93	57	0.966645
-92	57	0.250614
-91	57	-0.971952
-90	57	-2.6453
-89	57	-5.09233
-88	57	-8.51164
-87	57	-12.8529
-86	57	-12.099
-85	57	-7.70819
-84	57	-4.5367
-83	57	-2.23458
-82	57	-0.684254
-81	57	0.274597
-80	57	0.904249
-79	57	1.21063
-78	57	1.29199
-77	57	1.05564
-76	57	0.512474
-75	57	-0.339002
-74	57	-1.51232
-73	57	-2.92761
-72	57	-4.45725
-71	57	-5.50097
-70	57	-5.40368
-69	57	-4.11221
-68	57	-2.45498
-67	57	-0.931913
-66	57	0.313804
-65	57	1.27074
-64	57	1.95356
-63	57	2.39636
-62	57	2.6239
-61	57	2.6401
-60	57	2.46075
-59	57	2.09617
-58	57	1.5592
-57	57	0.872413
-56	57	0.0896407
-55	57	-0.692725
-54	57	-1.31966
-53	57	-1.66136
-52	57	-1.46398
-51	57	-0.860915
-50	57	0.027798
-49	57	0.881963
-48	57	1.69009
-47	57	2.39296
-46	57	2.98329
-45	57	3.46082
-44	57	3.80578
-43	57	4.03261
-42	57	4.16054
-41	57	4.18772
-40	57	4.1344
-39	57	3.99647
-38	57	3.79494
-37	57	3.53889
-36	57	3.23922
-35	57	2.92392
-34	57	2.61122
-33	57	2.31872
-32	57	2.07684
-31	57	1.91976
-30	57	1.83996
-29	57	1.85403
-28	57	1.95526
-27	57	2.12736
-26	57	2.35461
-25	57	2.60902
-24	57	2.96682
-23	57	3.22602
-22	57	3.4772
-21	57	3.7146
-20	57	3.93467
-19	57	4.13027
-18	57	4.3115
-17	57	4.48845
-16	57	4.60052
-15	57	4.70823
-14	57	4.7854
-13	57	4.85743
-12	57	4.92284
-11	57	4.97683
-10	57	5.03556
-9	57	5.05041
-8	57	5.06185
-7	57	5.07205
-6	57	5.08927
-5	57	5.12881
-4	57	5.1286
-3	57	5.12771
-2	57	5.12823
-1	57	5.12798

0	57	5.12728
1	57	5.10995
2	57	5.10588
3	57	5.09474
4	57	5.09379
5	57	5.07917
6	57	5.08444
7	57	5.09426
8	57	5.07577
9	57	5.06495
10	57	5.05437
11	57	5.04493
12	57	5.03614
13	57	5.00997
14	57	4.98735
15	57	4.92533
16	57	4.89623
17	57	4.82193
18	57	4.75146
19	57	4.66026
20	57	4.59077
21	57	4.4972
22	57	4.35384
23	57	4.18625
24	57	3.99731
25	57	3.77889
26	57	3.53271
27	57	3.28486
28	57	2.97914
29	57	2.62447
30	57	2.32242
31	57	1.97916
32	57	1.63347
33	57	1.25199
34	57	1.03101
35	57	0.778148
36	57	0.633243
37	57	0.595483
38	57	0.665316
39	57	0.836484
40	57	1.09006
41	57	1.39742
42	57	1.73356
43	57	2.06187
44	57	2.36755
45	57	2.63656
46	57	2.84938
47	57	2.98209
48	57	3.02916
49	57	2.9801
50	57	2.81445
51	57	2.51796
52	57	2.08081
53	57	1.49208
54	57	0.850605
55	57	-0.049309
56	57	-1.11459
57	57	-2.28858
58	57	-3.43861
59	57	-4.19127
60	57	-4.17908
61	57	-3.40855
62	57	-2.25308
63	57	-1.05528
64	57	-0.00775332
65	57	0.839352
66	57	1.47205
67	57	1.87591
68	57	2.02836
69	57	1.96117
70	57	1.63608
71	57	1.02543
72	57	0.0900098
73	57	-1.27463
74	57	-3.21647
75	57	-5.97472
76	57	-10.0822
77	57	-14.5155
78	57	-11.4631
79	57	-6.8878
80	57	-3.80254
81	57	-1.73216
82	57	-0.270776
83	57	0.733519
84	57	1.34811
85	57	1.64656
86	57	1.63346
87	57	1.29454
88	57	0.63028
89	57	-0.554675
90	57	-2.18178
91	57	-4.51609
92	57	-7.79584
93	57	-12.0804
94	57	-12.1254
95	57	-7.81003
96	57	-4.47575

97	57	-2.16402
98	57	-0.551434
99	57	0.462089
100	57	1.13483
101	57	1.48688
102	57	1.60512
103	57	1.41247
104	57	0.927407
105	57	0.153082
106	57	-0.928505
107	57	-2.32489
108	57	-3.84102
109	57	-5.07617
110	57	-5.18633
111	57	-4.11778
112	57	-2.55029
113	57	-1.03608
114	57	0.229351
115	57	1.21563
116	57	1.94267
117	57	2.44269
118	57	2.73011
119	57	2.81026
120	57	2.68325
121	57	2.36374
122	57	1.87915
123	57	1.26298
124	57	0.563614
125	57	-0.147227
126	57	-0.748357
127	57	-1.06449
128	57	-0.988163
129	57	-0.544806
130	57	0.13056
131	57	0.893154
132	57	1.70049
133	57	2.36472
134	57	3.0557
135	57	3.49501
136	57	3.81963
137	57	4.03257
138	57	4.14335
139	57	4.15561
140	57	4.07837
141	57	3.86366
142	57	3.63863
143	57	3.38171
144	57	3.09013
145	57	2.78312
146	57	2.48743
147	57	2.23456
148	57	2.05382
149	57	1.94915
150	57	1.93054
151	57	2.00587
152	57	2.16251
153	57	2.378
154	57	2.62924
155	57	2.90487
156	57	3.18511
157	57	3.45932
158	57	3.72267
159	57	3.96551
160	57	4.18714
161	57	4.37833
162	57	4.54788
163	57	4.68973
164	57	4.81289
165	57	4.90489
166	57	4.96736
167	57	5.0351
168	57	5.08747
169	57	5.1226
170	57	5.15005
171	57	5.15944
172	57	5.16638
173	57	5.1621
174	57	5.15144
175	57	5.14129
176	57	5.13001
177	57	5.12289
178	57	5.11516
179	57	5.09581
180	57	5.07817
-180	58	4.95252
-179	58	4.91588
-178	58	4.92016
-177	58	4.90883
-176	58	4.89423
-175	58	4.91053
-174	58	4.86899
-173	58	4.86738
-172	58	4.86501
-171	58	4.86835
-170	58	4.86444
-169	58	4.86225
-168	58	4.86152

-167	58	4.85017
-166	58	4.83819
-165	58	4.8355
-164	58	4.82032
-163	58	4.78247
-162	58	4.72714
-161	58	4.65203
-160	58	4.60093
-159	58	4.50753
-158	58	4.37821
-157	58	4.26752
-156	58	4.11175
-155	58	3.93478
-154	58	3.72713
-153	58	3.49517
-152	58	3.22957
-151	58	2.93209
-150	58	2.61262
-149	58	2.264
-148	58	1.90378
-147	58	1.53123
-146	58	1.16662
-145	58	0.85944
-144	58	0.61064
-143	58	0.461662
-142	58	0.363652
-141	58	0.415006
-140	58	0.596825
-139	58	0.859929
-138	58	1.17553
-137	58	1.52766
-136	58	1.88357
-135	58	2.20177
-134	58	2.46474
-133	58	2.66143
-132	58	2.79738
-131	58	2.81755
-130	58	2.72545
-129	58	2.51141
-128	58	2.16534
-127	58	1.67128
-126	58	1.00917
-125	58	0.206134
-124	58	-0.775966
-123	58	-1.9663
-122	58	-3.22556
-121	58	-4.28737
-120	58	-4.73169
-119	58	-4.29489
-118	58	-3.22054
-117	58	-1.95593
-116	58	-0.780265
-115	58	0.194564
-114	58	0.935167
-113	58	1.39181
-112	58	1.65817
-111	58	1.67994
-110	58	1.44182
-109	58	0.926606
-108	58	0.0912267
-107	58	-1.14959
-106	58	-2.92631
-105	58	-5.50523
-104	58	-9.27292
-103	58	-14.5833
-102	58	-13.2443
-101	58	-7.93998
-100	58	-4.55517
-99	58	-2.28901
-98	58	-0.743486
-97	58	0.340494
-96	58	1.02036
-95	58	1.34775
-94	58	1.34072
-93	58	1.01185
-92	58	0.278543
-91	58	-0.871726
-90	58	-2.52451
-89	58	-4.92292
-88	58	-8.36488
-87	58	-13.1002
-86	58	-12.8175
-85	58	-8.10737
-84	58	-4.67284
-83	58	-2.40008
-82	58	-0.773676
-81	58	0.170653
-80	58	0.803882
-79	58	1.11435
-78	58	1.17332
-77	58	0.906652
-76	58	0.335257
-75	58	-0.54449
-74	58	-1.70341
-73	58	-3.15216
-72	58	-4.61618
-71	58	-5.52599

-70	58	-5.16524
-69	58	-3.78906
-68	58	-2.16804
-67	58	-0.718755
-66	58	0.453428
-65	58	1.34099
-64	58	1.96445
-63	58	2.35031
-62	58	2.50733
-61	58	2.45761
-60	58	2.2113
-59	58	1.77581
-58	58	1.17246
-57	58	0.439746
-56	58	-0.348583
-55	58	-1.06586
-54	58	-1.58508
-53	58	-1.59911
-52	58	-1.0732
-51	58	-0.32932
-50	58	0.528011
-49	58	1.37789
-48	58	2.13344
-47	58	2.78159
-46	58	3.30269
-45	58	3.69333
-44	58	3.95763
-43	58	4.11467
-42	58	4.17327
-41	58	4.13326
-40	58	4.01022
-39	58	3.80621
-38	58	3.55025
-37	58	3.24851
-36	58	2.92254
-35	58	2.59775
-34	58	2.29049
-33	58	2.04005
-32	58	1.87189
-31	58	1.79245
-30	58	1.81157
-29	58	1.99681
-28	58	2.20038
-27	58	2.44846
-26	58	2.72305
-25	58	3.00851
-24	58	3.29406
-23	58	3.55056
-22	58	3.80132
-21	58	4.02383
-20	58	4.23115
-19	58	4.40716
-18	58	4.54977
-17	58	4.69098
-16	58	4.79133
-15	58	4.86668
-14	58	4.96576
-13	58	5.01961
-12	58	5.06536
-11	58	5.0893
-10	58	5.13944
-9	58	5.1214
-8	58	5.13601
-7	58	5.13697
-6	58	5.12167
-5	58	5.11363
-4	58	5.09997
-3	58	5.09169
-2	58	5.07791
-1	58	5.06001
0	58	5.06459
1	58	5.03946
2	58	5.02481
3	58	5.01694
4	58	4.98417
5	58	4.98537
6	58	4.97144
7	58	4.96139
8	58	4.97891
9	58	4.98155
10	58	4.97842
11	58	4.97826
12	58	4.97742
13	58	4.97404
14	58	4.96258
15	58	4.95975
16	58	4.91913
17	58	4.8749
18	58	4.81864
19	58	4.75745
20	58	4.67454
21	58	4.57649
22	58	4.4628
23	58	4.35212
24	58	4.19855
25	58	4.01884
26	58	3.81232

27	58	3.58191
28	58	3.32169
29	58	3.02777
30	58	2.71506
31	58	2.37925
32	58	2.03738
33	58	1.71324
34	58	1.37348
35	58	1.06041
36	58	0.829398
37	58	0.687094
38	58	0.645674
39	58	0.713165
40	58	0.885738
41	58	1.13492
42	58	1.43431
43	58	1.77073
44	58	2.09845
45	58	2.39149
46	58	2.63514
47	58	2.82726
48	58	2.92916
49	58	2.92826
50	58	2.83034
51	58	2.61404
52	58	2.26311
53	58	1.76333
54	58	1.09066
55	58	0.323131
56	58	-0.717105
57	58	-1.91037
58	58	-3.1415
59	58	-4.16316
60	58	-4.51151
61	58	-3.98803
62	58	-2.87057
63	58	-1.59892
64	58	-0.433335
65	58	0.518061
66	58	1.24236
67	58	1.73178
68	58	1.97619
69	58	1.97593
70	58	1.72733
71	58	1.19954
72	58	0.347083
73	58	-0.909113
74	58	-2.71507
75	58	-5.30326
76	58	-9.17763
77	58	-14.6016
78	58	-13.3522
79	58	-7.83442
80	58	-4.38021
81	58	-2.081
82	58	-0.528331
83	58	0.552799
84	58	1.25815
85	58	1.61069
86	58	1.63524
87	58	1.31958
88	58	0.629932
89	58	-0.457191
90	58	-2.04981
91	58	-4.35344
92	58	-7.61774
93	58	-12.1638
94	58	-12.7058
95	58	-8.1443
96	58	-4.68238
97	58	-2.30022
98	58	-0.647111
99	58	0.365653
100	58	1.05153
101	58	1.39182
102	58	1.47723
103	58	1.25917
104	58	0.754542
105	58	-0.0627822
106	58	-1.19292
107	58	-2.59559
108	58	-4.07737
109	58	-5.11442
110	58	-5.00872
111	58	-3.8175
112	58	-2.25775
113	58	-0.807185
114	58	0.349004
115	58	1.32097
116	58	1.98579
117	58	2.41155
118	58	2.6184
119	58	2.61789
120	58	2.42844
121	58	2.06746
122	58	1.56179
123	58	0.94057

124	58	0.247763
125	58	-0.407148
126	58	-0.871955
127	58	-0.986537
128	58	-0.723018
129	58	-0.151537
130	58	0.645794
131	58	1.40727
132	58	2.23841
133	58	2.84556
134	58	3.32812
135	58	3.69526
136	58	3.95775
137	58	4.08515
138	58	4.12271
139	58	4.02808
140	58	3.89821
141	58	3.68618
142	58	3.4263
143	58	3.11674
144	58	2.79706
145	58	2.49255
146	58	2.2273
147	58	2.03502
148	58	1.9313
149	58	1.91524
150	58	1.99558
151	58	2.15687
152	58	2.38853
153	58	2.66107
154	58	2.95272
155	58	3.25171
156	58	3.53844
157	58	3.80709
158	58	4.05765
159	58	4.27485
160	58	4.47174
161	58	4.6398
162	58	4.77703
163	58	4.88849
164	58	4.97993
165	58	5.04872
166	58	5.09546
167	58	5.13767
168	58	5.16305
169	58	5.16972
170	58	5.17706
171	58	5.17276
172	58	5.15861
173	58	5.136
174	58	5.09688
175	58	5.08116
176	58	5.0574
177	58	5.02416
178	58	4.9997
179	58	4.97263
180	58	4.95252
-180	59	4.84415
-179	59	4.81082
-178	59	4.79693
-177	59	4.78814
-176	59	4.77547
-175	59	4.75942
-174	59	4.76464
-173	59	4.76857
-172	59	4.72415
-171	59	4.7542
-170	59	4.76042
-169	59	4.75785
-168	59	4.77732
-167	59	4.77701
-166	59	4.7745
-165	59	4.78097
-164	59	4.77866
-163	59	4.76127
-162	59	4.72669
-161	59	4.67878
-160	59	4.63733
-159	59	4.5493
-158	59	4.48613
-157	59	4.37463
-156	59	4.25267
-155	59	4.0976
-154	59	3.92173
-153	59	3.71494
-152	59	3.48312
-151	59	3.21578
-150	59	2.92127
-149	59	2.59752
-148	59	2.25175
-147	59	1.89437
-146	59	1.52746
-145	59	1.17683
-144	59	0.860488
-143	59	0.636945
-142	59	0.448976
-141	59	0.407504

-140	59	0.501589
-139	59	0.69319
-138	59	0.958383
-137	59	1.27696
-136	59	1.62517
-135	59	1.9594
-134	59	2.24544
-133	59	2.47368
-132	59	2.63321
-131	59	2.70539
-130	59	2.712
-129	59	2.56888
-128	59	2.29252
-127	59	1.87187
-126	59	1.29475
-125	59	0.542282
-124	59	-0.369267
-123	59	-1.5224
-122	59	-2.776
-121	59	-4.02324
-120	59	-4.82217
-119	59	-4.73897
-118	59	-3.8336
-117	59	-2.56146
-116	59	-1.28797
-115	59	-0.208023
-114	59	0.640862
-113	59	1.22773
-112	59	1.54621
-111	59	1.65751
-110	59	1.50616
-109	59	1.0709
-108	59	0.315493
-107	59	-0.823537
-106	59	-2.47293
-105	59	-4.88219
-104	59	-8.43146
-103	59	-13.9844
-102	59	-14.9949
-101	59	-9.21044
-100	59	-5.32031
-99	59	-2.74082
-98	59	-1.0196
-97	59	0.121707
-96	59	0.85983
-95	59	1.24757
-94	59	1.28535
-93	59	0.984891
-92	59	0.275964
-91	59	-0.834399
-90	59	-2.47143
-89	59	-4.87412
-88	59	-8.34703
-87	59	-13.2819
-86	59	-13.2021
-85	59	-8.28029
-84	59	-4.79546
-83	59	-2.47426
-82	59	-0.941925
-81	59	0.0618972
-80	59	0.706116
-79	59	1.0248
-78	59	1.08172
-77	59	0.798907
-76	59	0.206895
-75	59	-0.671534
-74	59	-1.88606
-73	59	-3.34369
-72	59	-4.74561
-71	59	-5.49124
-70	59	-4.9563
-69	59	-3.53316
-68	59	-1.9462
-67	59	-0.551137
-66	59	0.561379
-65	59	1.38544
-64	59	1.9482
-63	59	2.26904
-62	59	2.36464
-61	59	2.25284
-60	59	1.94488
-59	59	1.44962
-58	59	0.804524
-57	59	0.0549344
-56	59	-0.698647
-55	59	-1.35497
-54	59	-1.5214
-53	59	-1.27443
-52	59	-0.651678
-51	59	0.166082
-50	59	1.03376
-49	59	1.83072
-48	59	2.53175
-47	59	3.10049
-46	59	3.5354
-45	59	3.84945
-44	59	4.04384

-43	59	4.13248
-42	59	4.11585
-41	59	4.00693
-40	59	3.8161
-39	59	3.55991
-38	59	3.25913
-37	59	2.92009
-36	59	2.58091
-35	59	2.26373
-34	59	1.99867
-33	59	1.86587
-32	59	1.80068
-31	59	1.82992
-30	59	1.96557
-29	59	2.1808
-28	59	2.45084
-27	59	2.74694
-26	59	3.05137
-25	59	3.35936
-24	59	3.64211
-23	59	3.9027
-22	59	4.14215
-21	59	4.34792
-20	59	4.52888
-19	59	4.69351
-18	59	4.83185
-17	59	4.93463
-16	59	5.01935
-15	59	5.08239
-14	59	5.13785
-13	59	5.16851
-12	59	5.17644
-11	59	5.20447
-10	59	5.19344
-9	59	5.1851
-8	59	5.16335
-7	59	5.13397
-6	59	5.11156
-5	59	5.07399
-4	59	5.03835
-3	59	5.01077
-2	59	4.98376
-1	59	4.95617
0	59	4.93122
1	59	4.9011
2	59	4.89012
3	59	4.87656
4	59	4.85695
5	59	4.87289
6	59	4.87055
7	59	4.88521
8	59	4.90035
9	59	4.92042
10	59	4.91307
11	59	4.90645
12	59	4.92013
13	59	4.92936
14	59	4.92576
15	59	4.92642
16	59	4.91617
17	59	4.90776
18	59	4.83956
19	59	4.80846
20	59	4.75275
21	59	4.68135
22	59	4.59606
23	59	4.48903
24	59	4.35984
25	59	4.2101
26	59	4.0183
27	59	3.81258
28	59	3.60932
29	59	3.33044
30	59	3.05054
31	59	2.73038
32	59	2.39377
33	59	2.04516
34	59	1.69811
35	59	1.33271
36	59	1.03682
37	59	0.80539
38	59	0.667606
39	59	0.637006
40	59	0.721805
41	59	0.90951
42	59	1.18192
43	59	1.50164
44	59	1.83639
45	59	2.15777
46	59	2.44075
47	59	2.66736
48	59	2.81601
49	59	2.89566
50	59	2.86463
51	59	2.7071
52	59	2.41747
53	59	1.98933

54	59	1.42035
55	59	0.637245
56	59	-0.24448
57	59	-1.4072
58	59	-2.7003
59	59	-3.92896
60	59	-4.69622
61	59	-4.53955
62	59	-3.54949
63	59	-2.22877
64	59	-0.94554
65	59	0.127465
66	59	0.964227
67	59	1.55402
68	59	1.89703
69	59	1.98534
70	59	1.82305
71	59	1.37293
72	59	0.613341
73	59	-0.52861
74	59	-2.19511
75	59	-4.59659
76	59	-8.16829
77	59	-13.7998
78	59	-15.2389
79	59	-9.12308
80	59	-5.15621
81	59	-2.53981
82	59	-0.806449
83	59	0.317262
84	59	1.1066
85	59	1.49883
86	59	1.56424
87	59	1.31256
88	59	0.629705
89	59	-0.429266
90	59	-1.99687
91	59	-4.28647
92	59	-7.59358
93	59	-12.39
94	59	-13.3739
95	59	-8.46431
96	59	-4.80808
97	59	-2.41352
98	59	-0.788317
99	59	0.259655
100	59	0.941315
101	59	1.30742
102	59	1.40471
103	59	1.1703
104	59	0.628576
105	59	-0.224137
106	59	-1.38163
107	59	-2.79604
108	59	-4.23057
109	59	-5.11584
110	59	-4.81689
111	59	-3.54435
112	59	-1.99868
113	59	-0.595584
114	59	0.541873
115	59	1.4039
116	59	2.00943
117	59	2.38033
118	59	2.53088
119	59	2.47691
120	59	2.23846
121	59	1.81714
122	59	1.25483
123	59	0.582317
124	59	-0.101119
125	59	-0.661254
126	59	-0.934426
127	59	-0.830894
128	59	-0.396317
129	59	0.323671
130	59	1.06553
131	59	1.91506
132	59	2.56734
133	59	3.0995
134	59	3.52355
135	59	3.82235
136	59	4.01501
137	59	4.06997
138	59	4.03799
139	59	3.91723
140	59	3.72001
141	59	3.46376
142	59	3.15982
143	59	2.83469
144	59	2.5204
145	59	2.24117
146	59	2.02803
147	59	1.89848
148	59	1.87476
149	59	1.9664
150	59	2.14392

151	59	2.3961
152	59	2.68714
153	59	2.97216
154	59	3.29
155	59	3.59312
156	59	3.88117
157	59	4.139
158	59	4.3679
159	59	4.56148
160	59	4.71722
161	59	4.8583
162	59	4.97107
163	59	5.06081
164	59	5.12248
165	59	5.16492
166	59	5.19301
167	59	5.20367
168	59	5.19773
169	59	5.18524
170	59	5.17764
171	59	5.15647
172	59	5.12004
173	59	5.08178
174	59	5.04288
175	59	5.00463
176	59	4.96774
177	59	4.93281
178	59	4.90124
179	59	4.87021
180	59	4.84415
-180	60	4.71359
-179	60	4.67887
-178	60	4.66013
-177	60	4.64478
-176	60	4.63861
-175	60	4.63222
-174	60	4.61876
-173	60	4.63229
-172	60	4.63993
-171	60	4.63738
-170	60	4.63629
-169	60	4.64643
-168	60	4.65997
-167	60	4.67657
-166	60	4.68516
-165	60	4.69533
-164	60	4.69621
-163	60	4.69146
-162	60	4.71474
-161	60	4.66701
-160	60	4.62726
-159	60	4.58706
-158	60	4.52452
-157	60	4.44764
-156	60	4.34686
-155	60	4.21744
-154	60	4.06874
-153	60	3.88971
-152	60	3.6862
-151	60	3.44984
-150	60	3.18196
-149	60	2.88432
-148	60	2.55857
-147	60	2.21763
-146	60	1.83247
-145	60	1.47109
-144	60	1.11897
-143	60	0.819163
-142	60	0.566877
-141	60	0.452006
-140	60	0.434735
-139	60	0.537282
-138	60	0.750897
-137	60	1.03769
-136	60	1.3613
-135	60	1.71866
-134	60	2.04858
-133	60	2.30985
-132	60	2.52037
-131	60	2.66152
-130	60	2.69163
-129	60	2.59851
-128	60	2.38105
-127	60	2.08404
-126	60	1.56754
-125	60	0.872523
-124	60	-0.0184018
-123	60	-1.07947
-122	60	-2.36356
-121	60	-3.71765
-120	60	-4.79276
-119	60	-5.12483
-118	60	-4.44014
-117	60	-3.16727
-116	60	-1.81525
-115	60	-0.623166
-114	60	0.327801

-113	60	1.01813
-112	60	1.45087
-111	60	1.64611
-110	60	1.53617
-109	60	1.18765
-108	60	0.527977
-107	60	-0.502823
-106	60	-2.0086
-105	60	-4.17069
-104	60	-7.50975
-103	60	-12.8287
-102	60	-16.3154
-101	60	-10.7423
-100	60	-6.16633
-99	60	-3.3078
-98	60	-1.41236
-97	60	-0.165571
-96	60	0.639238
-95	60	1.08142
-94	60	1.14619
-93	60	0.869909
-92	60	0.21998
-91	60	-0.834778
-90	60	-2.44133
-89	60	-4.84392
-88	60	-8.40025
-87	60	-13.621
-86	60	-13.653
-85	60	-8.44788
-84	60	-4.85709
-83	60	-2.45663
-82	60	-1.00466
-81	60	0.0595537
-80	60	0.676105
-79	60	0.980252
-78	60	1.01257
-77	60	0.709037
-76	60	0.115745
-75	60	-0.813555
-74	60	-2.07223
-73	60	-3.49574
-72	60	-4.89227
-71	60	-5.49972
-70	60	-4.81494
-69	60	-3.34193
-68	60	-1.77703
-67	60	-0.428562
-66	60	0.627602
-65	60	1.39958
-64	60	1.90964
-63	60	2.17624
-62	60	2.22183
-61	60	2.05951
-60	60	1.70162
-59	60	1.16912
-58	60	0.497068
-57	60	-0.248734
-56	60	-0.957935
-55	60	-1.36149
-54	60	-1.35262
-53	60	-0.922365
-52	60	-0.199701
-51	60	0.652852
-50	60	1.47851
-49	60	2.2207
-48	60	2.84446
-47	60	3.33242
-46	60	3.69346
-45	60	3.9359
-44	60	4.05759
-43	60	4.07113
-42	60	3.98061
-41	60	3.80743
-40	60	3.5602
-39	60	3.2623
-38	60	2.92213
-37	60	2.5671
-36	60	2.23877
-35	60	1.97685
-34	60	1.80556
-33	60	1.74282
-32	60	1.78535
-31	60	1.93234
-30	60	2.16585
-29	60	2.45775
-28	60	2.77562
-27	60	3.10745
-26	60	3.43632
-25	60	3.73513
-24	60	4.00642
-23	60	4.2518
-22	60	4.47486
-21	60	4.66078
-20	60	4.81331
-19	60	4.92426
-18	60	5.04446
-17	60	5.11808

-16	60	5.18643
-15	60	5.21676
-14	60	5.23382
-13	60	5.23972
-12	60	5.25247
-11	60	5.24074
-10	60	5.19032
-9	60	5.15341
-8	60	5.1128
-7	60	5.07562
-6	60	5.03199
-5	60	4.99287
-4	60	4.95587
-3	60	4.91917
-2	60	4.88714
-1	60	4.85094
0	60	4.82155
1	60	4.78415
2	60	4.76941
3	60	4.75136
4	60	4.73738
5	60	4.74259
6	60	4.76996
7	60	4.78717
8	60	4.78418
9	60	4.79
10	60	4.82099
11	60	4.83449
12	60	4.84251
13	60	4.85897
14	60	4.87347
15	60	4.88168
16	60	4.87804
17	60	4.88871
18	60	4.85941
19	60	4.83762
20	60	4.79766
21	60	4.7444
22	60	4.67406
23	60	4.58887
24	60	4.47107
25	60	4.3446
26	60	4.19485
27	60	4.01249
28	60	3.80713
29	60	3.58501
30	60	3.29997
31	60	3.04669
32	60	2.71108
33	60	2.3689
34	60	2.00786
35	60	1.62987
36	60	1.29312
37	60	1.00204
38	60	0.790896
39	60	0.675722
40	60	0.669375
41	60	0.777539
42	60	0.988277
43	60	1.27218
44	60	1.59463
45	60	1.93103
46	60	2.24258
47	60	2.50576
48	60	2.70379
49	60	2.81226
50	60	2.83246
51	60	2.76926
52	60	2.55023
53	60	2.18694
54	60	1.67305
55	60	0.986468
56	60	0.102616
57	60	-0.912636
58	60	-2.21483
59	60	-3.55089
60	60	-4.64519
61	60	-4.94184
62	60	-4.21397
63	60	-2.92336
64	60	-1.55431
65	60	-0.344169
66	60	0.621131
67	60	1.32908
68	60	1.76362
69	60	1.95814
70	60	1.88531
71	60	1.53881
72	60	0.870864
73	60	-0.165572
74	60	-1.68171
75	60	-3.88669
76	60	-7.13291
77	60	-12.4137
78	60	-16.7047
79	60	-10.7858
80	60	-6.02129

81	60	-3.11498
82	60	-1.20302
83	60	0.0537078
84	60	0.884752
85	60	1.34133
86	60	1.43783
87	60	1.19872
88	60	0.591774
89	60	-0.45966
90	60	-2.07473
91	60	-4.37682
92	60	-7.70071
93	60	-12.6253
94	60	-13.6347
95	60	-8.62746
96	60	-4.86886
97	60	-2.38795
98	60	-0.850714
99	60	0.240178
100	60	0.918036
101	60	1.27102
102	60	1.34616
103	60	1.08874
104	60	0.524799
105	60	-0.350874
106	60	-1.53424
107	60	-2.96623
108	60	-4.36442
109	60	-5.11038
110	60	-4.64618
111	60	-3.30451
112	60	-1.77474
113	60	-0.416326
114	60	0.669047
115	60	1.477
116	60	2.02856
117	60	2.34421
118	60	2.44272
119	60	2.33969
120	60	2.04931
121	60	1.58755
122	60	0.993066
123	60	0.32906
124	60	-0.292964
125	60	-0.740734
126	60	-0.867301
127	60	-0.555579
128	60	-0.0213636
129	60	0.813263
130	60	1.57783
131	60	2.27472
132	60	2.87051
133	60	3.35068
134	60	3.70214
135	60	3.92252
136	60	4.0211
137	60	4.01358
138	60	3.90521
139	60	3.72754
140	60	3.4769
141	60	3.17593
142	60	2.84775
143	60	2.52211
144	60	2.22334
145	60	1.99524
146	60	1.84372
147	60	1.81982
148	60	1.90108
149	60	2.08106
150	60	2.33381
151	60	2.6369
152	60	2.96269
153	60	3.30235
154	60	3.60288
155	60	3.90005
156	60	4.17952
157	60	4.41545
158	60	4.62158
159	60	4.79626
160	60	4.94209
161	60	5.05589
162	60	5.13933
163	60	5.19779
164	60	5.23496
165	60	5.25816
166	60	5.26148
167	60	5.24285
168	60	5.21844
169	60	5.18717
170	60	5.14741
171	60	5.08163
172	60	5.04864
173	60	5.00936
174	60	4.95845
175	60	4.90776
176	60	4.85623
177	60	4.81189

178	60	4.77309
179	60	4.74118
180	60	4.71359
-180	61	4.56129
-179	61	4.52792
-178	61	4.50803
-177	61	4.49161
-176	61	4.48666
-175	61	4.48784
-174	61	4.48491
-173	61	4.48361
-172	61	4.52119
-171	61	4.49273
-170	61	4.54197
-169	61	4.54566
-168	61	4.56259
-167	61	4.58443
-166	61	4.59671
-165	61	4.61059
-164	61	4.61599
-163	61	4.67511
-162	61	4.64835
-161	61	4.63893
-160	61	4.61119
-159	61	4.59865
-158	61	4.55364
-157	61	4.4887
-156	61	4.43325
-155	61	4.32582
-154	61	4.19836
-153	61	4.05629
-152	61	3.88097
-151	61	3.6742
-150	61	3.434
-149	61	3.15909
-148	61	2.85506
-147	61	2.51682
-146	61	2.15589
-145	61	1.77633
-144	61	1.39749
-143	61	1.02732
-142	61	0.727384
-141	61	0.524111
-140	61	0.413941
-139	61	0.428676
-138	61	0.563908
-137	61	0.807357
-136	61	1.12484
-135	61	1.4729
-134	61	1.81548
-133	61	2.12922
-132	61	2.38225
-131	61	2.56164
-130	61	2.66438
-129	61	2.64068
-128	61	2.48245
-127	61	2.20006
-126	61	1.75191
-125	61	1.18439
-124	61	0.364349
-123	61	-0.659695
-122	61	-1.8565
-121	61	-3.25141
-120	61	-4.54418
-119	61	-5.26591
-118	61	-4.97777
-117	61	-3.83971
-116	61	-2.42557
-115	61	-1.1038
-114	61	-0.0265187
-113	61	0.779265
-112	61	1.31106
-111	61	1.58113
-110	61	1.5749
-109	61	1.28875
-108	61	0.715761
-107	61	-0.214509
-106	61	-1.59621
-105	61	-3.54612
-104	61	-6.60736
-103	61	-11.4228
-102	61	-17.3012
-101	61	-12.3203
-100	61	-7.06211
-99	61	-3.92776
-98	61	-1.89468
-97	61	-0.53418
-96	61	0.380407
-95	61	0.876344
-94	61	0.996726
-93	61	0.764442
-92	61	0.158764
-91	61	-0.902922
-90	61	-2.51556
-89	61	-4.90964
-88	61	-8.49157
-87	61	-13.9765

-86	61	-13.8624
-85	61	-8.42226
-84	61	-4.79585
-83	61	-2.47436
-82	61	-0.958942
-81	61	0.0234237
-80	61	0.715619
-79	61	0.99093
-78	61	0.980768
-77	61	0.663562
-76	61	0.013363
-75	61	-0.961902
-74	61	-2.19592
-73	61	-3.71503
-72	61	-5.09737
-71	61	-5.55973
-70	61	-4.71514
-69	61	-3.18086
-68	61	-1.6285
-67	61	-0.32119
-66	61	0.688935
-65	61	1.41453
-64	61	1.88194
-63	61	2.10228
-62	61	2.10409
-61	61	1.89353
-60	61	1.49119
-59	61	0.925237
-58	61	0.234611
-57	61	-0.489489
-56	61	-1.04195
-55	61	-1.277
-54	61	-1.09233
-53	61	-0.537554
-52	61	0.247358
-51	61	1.07308
-50	61	1.85149
-49	61	2.52355
-48	61	3.07041
-47	61	3.4889
-46	61	3.78116
-45	61	3.94902
-44	61	3.99658
-43	61	3.94321
-42	61	3.79763
-41	61	3.5696
-40	61	3.22878
-39	61	2.90773
-38	61	2.56425
-37	61	2.23592
-36	61	1.96727
-35	61	1.78086
-34	61	1.71063
-33	61	1.75793
-32	61	1.91024
-31	61	2.15466
-30	61	2.45865
-29	61	2.80081
-28	61	3.12048
-27	61	3.46931
-26	61	3.7826
-25	61	4.08153
-24	61	4.347
-23	61	4.56327
-22	61	4.7493
-21	61	4.91319
-20	61	5.03238
-19	61	5.12011
-18	61	5.19652
-17	61	5.27384
-16	61	5.29482
-15	61	5.30377
-14	61	5.29003
-13	61	5.25831
-12	61	5.24113
-11	61	5.18541
-10	61	5.13879
-9	61	5.0924
-8	61	5.03509
-7	61	4.98273
-6	61	4.93387
-5	61	4.8944
-4	61	4.84839
-3	61	4.80716
-2	61	4.76903
-1	61	4.73752
0	61	4.70849
1	61	4.68428
2	61	4.67246
3	61	4.66365
4	61	4.64945
5	61	4.6475
6	61	4.65233
7	61	4.65305
8	61	4.66179
9	61	4.69057
10	61	4.71964

11	61	4.74939
12	61	4.76137
13	61	4.7811
14	61	4.80167
15	61	4.8191
16	61	4.8233
17	61	4.83169
18	61	4.83259
19	61	4.81933
20	61	4.79757
21	61	4.76611
22	61	4.71827
23	61	4.65586
24	61	4.57482
25	61	4.4666
26	61	4.33827
27	61	4.18211
28	61	3.99669
29	61	3.81343
30	61	3.54773
31	61	3.27393
32	61	2.96999
33	61	2.63554
34	61	2.26099
35	61	1.93974
36	61	1.5345
37	61	1.18787
38	61	0.933436
39	61	0.737027
40	61	0.642465
41	61	0.66676
42	61	0.805069
43	61	1.04448
44	61	1.34975
45	61	1.68863
46	61	2.02615
47	61	2.33268
48	61	2.58647
49	61	2.75622
50	61	2.84582
51	61	2.81903
52	61	2.6673
53	61	2.4207
54	61	1.97204
55	61	1.34996
56	61	0.545228
57	61	-0.464459
58	61	-1.61795
59	61	-3.07953
60	61	-4.43265
61	61	-5.23196
62	61	-4.89902
63	61	-3.68324
64	61	-2.21947
65	61	-0.863742
66	61	0.229891
67	61	1.04796
68	61	1.59601
69	61	1.86094
70	61	1.89398
71	61	1.6366
72	61	1.06856
73	61	0.148037
74	61	-1.22555
75	61	-3.22978
76	61	-6.18619
77	61	-10.8901
78	61	-17.2281
79	61	-12.5243
80	61	-6.99594
81	61	-3.74052
82	61	-1.63642
83	61	-0.259521
84	61	0.63919
85	61	1.121
86	61	1.26059
87	61	1.07328
88	61	0.535632
89	61	-0.489669
90	61	-2.04871
91	61	-4.34045
92	61	-7.76225
93	61	-12.9764
94	61	-13.8975
95	61	-8.57323
96	61	-4.81554
97	61	-2.40925
98	61	-0.820122
99	61	0.263948
100	61	0.930407
101	61	1.27544
102	61	1.31004
103	61	1.03394
104	61	0.443949
105	61	-0.467569
106	61	-1.68057
107	61	-3.12804

108	61	-4.48601
109	61	-5.09619
110	61	-4.4836
111	61	-3.08779
112	61	-1.57691
113	61	-0.26384
114	61	0.773128
115	61	1.53186
116	61	2.03653
117	61	2.30154
118	61	2.35651
119	61	2.20574
120	61	1.86754
121	61	1.37225
122	61	0.768756
123	61	0.127538
124	61	-0.436223
125	61	-0.760077
126	61	-0.712426
127	61	-0.315913
128	61	0.408944
129	61	1.1785
130	61	1.90633
131	61	2.55748
132	61	3.08707
133	61	3.51235
134	61	3.78318
135	61	3.90757
136	61	3.96613
137	61	3.90727
138	61	3.75236
139	61	3.52713
140	61	3.24265
141	61	2.92094
142	61	2.58027
143	61	2.26559
144	61	2.02463
145	61	1.87685
146	61	1.83806
147	61	1.92113
148	61	2.10345
149	61	2.33228
150	61	2.65024
151	61	3.00125
152	61	3.34591
153	61	3.68382
154	61	3.99763
155	61	4.27329
156	61	4.52933
157	61	4.73645
158	61	4.90853
159	61	5.0413
160	61	5.13975
161	61	5.20842
162	61	5.25521
163	61	5.28123
164	61	5.29136
165	61	5.29408
166	61	5.27369
167	61	5.23387
168	61	5.19136
169	61	5.1393
170	61	5.07825
171	61	5.01648
172	61	4.95044
173	61	4.88189
174	61	4.8314
175	61	4.77506
176	61	4.72371
177	61	4.67468
178	61	4.632
179	61	4.59247
180	61	4.56129
-180	62	4.37651
-179	62	4.34799
-178	62	4.32999
-177	62	4.32138
-176	62	4.31879
-175	62	4.31525
-174	62	4.33143
-173	62	4.3405
-172	62	4.35659
-171	62	4.40719
-170	62	4.35792
-169	62	4.41755
-168	62	4.44299
-167	62	4.48693
-166	62	4.50436
-165	62	4.51424
-164	62	4.51695
-163	62	4.59304
-162	62	4.56215
-161	62	4.55903
-160	62	4.58035
-159	62	4.59452
-158	62	4.57099
-157	62	4.53078

-156	62	4.48083
-155	62	4.39674
-154	62	4.29654
-153	62	4.17364
-152	62	4.04544
-151	62	3.86851
-150	62	3.65833
-149	62	3.41048
-148	62	3.1283
-147	62	2.80975
-146	62	2.46271
-145	62	2.08599
-144	62	1.69526
-143	62	1.28616
-142	62	0.953138
-141	62	0.660233
-140	62	0.452328
-139	62	0.368355
-138	62	0.415462
-137	62	0.593809
-136	62	0.873999
-135	62	1.21476
-134	62	1.57313
-133	62	1.92015
-132	62	2.22634
-131	62	2.46349
-130	62	2.61226
-129	62	2.65863
-128	62	2.58113
-127	62	2.35338
-126	62	1.97859
-125	62	1.43667
-124	62	0.754547
-123	62	-0.19135
-122	62	-1.36331
-121	62	-2.72328
-120	62	-4.17842
-119	62	-5.26609
-118	62	-5.38943
-117	62	-4.50526
-116	62	-3.08315
-115	62	-1.66729
-114	62	-0.46748
-113	62	0.46198
-112	62	1.10913
-111	62	1.47783
-110	62	1.57076
-109	62	1.38072
-108	62	0.877151
-107	62	0.0413067
-106	62	-1.22203
-105	62	-3.04652
-104	62	-5.84098
-103	62	-10.1177
-102	62	-16.5585
-101	62	-13.4794
-100	62	-8.21266
-99	62	-4.65975
-98	62	-2.36357
-97	62	-0.8579
-96	62	0.104134
-95	62	0.670279
-94	62	0.834805
-93	62	0.630605
-92	62	0.0515801
-91	62	-1.00151
-90	62	-2.61201
-89	62	-4.99538
-88	62	-8.61624
-87	62	-14.2297
-86	62	-13.8356
-85	62	-8.33577
-84	62	-4.73878
-83	62	-2.49614
-82	62	-0.969599
-81	62	0.061385
-80	62	0.664918
-79	62	0.965095
-78	62	0.9269
-77	62	0.563427
-76	62	-0.113199
-75	62	-1.0815
-74	62	-2.42141
-73	62	-3.98156
-72	62	-5.3037
-71	62	-5.59778
-70	62	-4.59498
-69	62	-3.00945
-68	62	-1.46783
-67	62	-0.186566
-66	62	0.787779
-65	62	1.47263
-64	62	1.89084
-63	62	2.0692
-62	62	2.02197
-61	62	1.77197
-60	62	1.33495

-59	62	0.726752
-58	62	0.0297917
-57	62	-0.605505
-56	62	-1.04471
-55	62	-1.13466
-54	62	-0.814381
-53	62	-0.163307
-52	62	0.625993
-51	62	1.41889
-50	62	2.14197
-49	62	2.74783
-48	62	3.23061
-47	62	3.58165
-46	62	3.81085
-45	62	3.90797
-44	62	3.89909
-43	62	3.73212
-42	62	3.53688
-41	62	3.27421
-40	62	2.9494
-39	62	2.60944
-38	62	2.278
-37	62	1.99564
-36	62	1.79284
-35	62	1.70465
-34	62	1.74425
-33	62	1.89388
-32	62	2.14545
-31	62	2.42598
-30	62	2.75927
-29	62	3.12716
-28	62	3.48541
-27	62	3.82566
-26	62	4.12554
-25	62	4.38943
-24	62	4.61867
-23	62	4.80739
-22	62	4.96665
-21	62	5.1388
-20	62	5.22668
-19	62	5.29654
-18	62	5.32884
-17	62	5.33194
-16	62	5.31156
-15	62	5.29566
-14	62	5.26191
-13	62	5.20113
-12	62	5.13998
-11	62	5.07131
-10	62	5.00824
-9	62	4.94344
-8	62	4.8757
-7	62	4.81299
-6	62	4.75747
-5	62	4.70863
-4	62	4.65816
-3	62	4.61038
-2	62	4.57197
-1	62	4.54014
0	62	4.51788
1	62	4.4994
2	62	4.48911
3	62	4.48977
4	62	4.49986
5	62	4.50062
6	62	4.49047
7	62	4.50886
8	62	4.5469
9	62	4.56912
10	62	4.59693
11	62	4.63409
12	62	4.672
13	62	4.69356
14	62	4.72111
15	62	4.73907
16	62	4.75401
17	62	4.76762
18	62	4.79517
19	62	4.79845
20	62	4.80025
21	62	4.7853
22	62	4.75923
23	62	4.71577
24	62	4.65662
25	62	4.5727
26	62	4.46721
27	62	4.33886
28	62	4.18012
29	62	4.01128
30	62	3.78076
31	62	3.52706
32	62	3.23707
33	62	2.93411
34	62	2.58893
35	62	2.21702
36	62	1.80705
37	62	1.44444

38	62	1.06738
39	62	0.782825
40	62	0.605612
41	62	0.564431
42	62	0.61208
43	62	0.826641
44	62	1.10251
45	62	1.43852
46	62	1.79608
47	62	2.14127
48	62	2.44228
49	62	2.66818
50	62	2.81945
51	62	2.85993
52	62	2.7812
53	62	2.56603
54	62	2.23659
55	62	1.69675
56	62	0.960322
57	62	0.0202373
58	62	-1.13854
59	62	-2.46233
60	62	-3.97614
61	62	-5.12717
62	62	-5.36106
63	62	-4.40386
64	62	-2.93111
65	62	-1.48125
66	62	-0.259211
67	62	0.687561
68	62	1.35537
69	62	1.74384
70	62	1.85224
71	62	1.69169
72	62	1.20473
73	62	0.369597
74	62	-0.88055
75	62	-2.69227
76	62	-5.36788
77	62	-9.55488
78	62	-16.1924
79	62	-13.6037
80	62	-8.11243
81	62	-4.48769
82	62	-2.12765
83	62	-0.576515
84	62	0.407011
85	62	0.978061
86	62	1.15927
87	62	0.989856
88	62	0.455911
89	62	-0.556446
90	62	-2.08694
91	62	-4.378
92	62	-7.83171
93	62	-13.1279
94	62	-13.8472
95	62	-8.45121
96	62	-4.7468
97	62	-2.40676
98	62	-0.821268
99	62	0.254504
100	62	0.92797
101	62	1.26648
102	62	1.28025
103	62	0.97671
104	62	0.354297
105	62	-0.589153
106	62	-1.82863
107	62	-3.2854
108	62	-4.59029
109	62	-5.06705
110	62	-4.33351
111	62	-2.90225
112	62	-1.40763
113	62	-0.128809
114	62	0.867142
115	62	1.58194
116	62	2.03749
117	62	2.26179
118	62	2.2669
119	62	2.07606
120	62	1.70573
121	62	1.18741
122	62	0.573137
123	62	-0.0439487
124	62	-0.553531
125	62	-0.730296
126	62	-0.545169
127	62	0.0306792
128	62	0.728343
129	62	1.47687
130	62	2.17697
131	62	2.81301
132	62	3.26854
133	62	3.59988
134	62	3.80661

135	62	3.89576
136	62	3.8753
137	62	3.77411
138	62	3.57532
139	62	3.30903
140	62	2.99197
141	62	2.66023
142	62	2.3415
143	62	2.07024
144	62	1.8932
145	62	1.80164
146	62	1.88484
147	62	2.04602
148	62	2.31554
149	62	2.64051
150	62	3.00021
151	62	3.36017
152	62	3.71478
153	62	4.03133
154	62	4.31721
155	62	4.56648
156	62	4.77069
157	62	4.97963
158	62	5.08204
159	62	5.19139
160	62	5.26137
161	62	5.31229
162	62	5.32811
163	62	5.32322
164	62	5.29172
165	62	5.25695
166	62	5.21559
167	62	5.14931
168	62	5.08099
169	62	5.01197
170	62	4.93707
171	62	4.86443
172	62	4.78697
173	62	4.71758
174	62	4.65167
175	62	4.59327
176	62	4.54142
177	62	4.48684
178	62	4.44475
179	62	4.40542
180	62	4.37651
-180	63	4.14959
-179	63	4.10778
-178	63	4.0829
-177	63	4.07693
-176	63	4.082
-175	63	4.07788
-174	63	4.09655
-173	63	4.12211
-172	63	4.15039
-171	63	4.18683
-170	63	4.2203
-169	63	4.19832
-168	63	4.24812
-167	63	4.32503
-166	63	4.36772
-165	63	4.38718
-164	63	4.41395
-163	63	4.45294
-162	63	4.47098
-161	63	4.49481
-160	63	4.51028
-159	63	4.51901
-158	63	4.51285
-157	63	4.50819
-156	63	4.47759
-155	63	4.4588
-154	63	4.37875
-153	63	4.2828
-152	63	4.15628
-151	63	4.00335
-150	63	3.81491
-149	63	3.62611
-148	63	3.37544
-147	63	3.08104
-146	63	2.75414
-145	63	2.38955
-144	63	2.00254
-143	63	1.58356
-142	63	1.22614
-141	63	0.857833
-140	63	0.56543
-139	63	0.385009
-138	63	0.332328
-137	63	0.425753
-136	63	0.649122
-135	63	0.964143
-134	63	1.32272
-133	63	1.69365
-132	63	2.04014
-131	63	2.3317
-130	63	2.53855

-129	63	2.64494
-128	63	2.63415
-127	63	2.48948
-126	63	2.19729
-125	63	1.73587
-124	63	1.07668
-123	63	0.199072
-122	63	-0.846657
-121	63	-2.13478
-120	63	-3.64657
-119	63	-5.03303
-118	63	-5.66404
-117	63	-5.09435
-116	63	-3.79436
-115	63	-2.27782
-114	63	-0.954254
-113	63	0.0844424
-112	63	0.831114
-111	63	1.29354
-110	63	1.47996
-109	63	1.37517
-108	63	0.967808
-107	63	0.216375
-106	63	-0.920424
-105	63	-2.62968
-104	63	-5.1168
-103	63	-8.9358
-102	63	-15.149
-101	63	-14.8561
-100	63	-9.31595
-99	63	-5.26414
-98	63	-2.76487
-97	63	-1.14932
-96	63	-0.143207
-95	63	0.459042
-94	63	0.672606
-93	63	0.545274
-92	63	-0.0327877
-91	63	-1.04222
-90	63	-2.66939
-89	63	-5.02939
-88	63	-8.68946
-87	63	-14.2679
-86	63	-13.6387
-85	63	-8.218
-84	63	-4.65047
-83	63	-2.46209
-82	63	-0.924632
-81	63	0.0692046
-80	63	0.621127
-79	63	0.918791
-78	63	0.85923
-77	63	0.474595
-76	63	-0.205376
-75	63	-1.28876
-74	63	-2.68153
-73	63	-4.26169
-72	63	-5.519
-71	63	-5.62084
-70	63	-4.45027
-69	63	-2.8067
-68	63	-1.26836
-67	63	-0.0244469
-66	63	0.907172
-65	63	1.54913
-64	63	1.92264
-63	63	2.05648
-62	63	1.96598
-61	63	1.6411
-60	63	1.17895
-59	63	0.585844
-58	63	-0.104023
-57	63	-0.678625
-56	63	-1.01306
-55	63	-0.973244
-54	63	-0.539671
-53	63	0.156265
-52	63	0.935563
-51	63	1.69423
-50	63	2.36793
-49	63	2.92119
-48	63	3.34226
-47	63	3.62962
-46	63	3.79132
-45	63	3.77486
-44	63	3.71377
-43	63	3.55301
-42	63	3.29845
-41	63	3.00354
-40	63	2.66677
-39	63	2.33008
-38	63	2.02967
-37	63	1.81041
-36	63	1.69824
-35	63	1.68076
-34	63	1.80435
-33	63	2.04492

-32	63	2.36746
-31	63	2.72779
-30	63	3.10003
-29	63	3.46034
-28	63	3.80388
-27	63	4.12711
-26	63	4.41529
-25	63	4.70651
-24	63	4.91673
-23	63	5.06738
-22	63	5.1756
-21	63	5.25974
-20	63	5.2932
-19	63	5.31395
-18	63	5.31066
-17	63	5.28805
-16	63	5.2472
-15	63	5.202
-14	63	5.14643
-13	63	5.07012
-12	63	4.9908
-11	63	4.9037
-10	63	4.818
-9	63	4.74473
-8	63	4.66458
-7	63	4.58629
-6	63	4.51699
-5	63	4.45795
-4	63	4.40647
-3	63	4.35692
-2	63	4.32166
-1	63	4.29438
0	63	4.28587
1	63	4.26836
2	63	4.25887
3	63	4.25983
4	63	4.28083
5	63	4.27313
6	63	4.28958
7	63	4.32554
8	63	4.35274
9	63	4.38428
10	63	4.41141
11	63	4.45651
12	63	4.50704
13	63	4.55615
14	63	4.59117
15	63	4.61775
16	63	4.65036
17	63	4.68219
18	63	4.72517
19	63	4.73519
20	63	4.75893
21	63	4.7593
22	63	4.75324
23	63	4.74442
24	63	4.70718
25	63	4.65248
26	63	4.57235
27	63	4.47012
28	63	4.33761
29	63	4.17783
30	63	3.98738
31	63	3.75918
32	63	3.49797
33	63	3.19283
34	63	2.856
35	63	2.47282
36	63	2.09018
37	63	1.72915
38	63	1.33683
39	63	0.991572
40	63	0.668378
41	63	0.468271
42	63	0.452794
43	63	0.569291
44	63	0.822673
45	63	1.14494
46	63	1.51518
47	63	1.90968
48	63	2.25689
49	63	2.54444
50	63	2.75651
51	63	2.86685
52	63	2.86111
53	63	2.72097
54	63	2.43226
55	63	1.97745
56	63	1.3745
57	63	0.512595
58	63	-0.574821
59	63	-1.87213
60	63	-3.33785
61	63	-4.81186
62	63	-5.53938
63	63	-5.07267
64	63	-3.68263

65	63	-2.13361
66	63	-0.777613
67	63	0.290072
68	63	1.06728
69	63	1.55731
70	63	1.74959
71	63	1.68531
72	63	1.3028
73	63	0.570067
74	63	-0.57539
75	63	-2.2723
76	63	-4.77099
77	63	-8.54491
78	63	-14.6196
79	63	-14.7578
80	63	-9.05134
81	63	-4.97809
82	63	-2.48643
83	63	-0.860336
84	63	0.174105
85	63	0.802421
86	63	1.03757
87	63	0.931627
88	63	0.391789
89	63	-0.580505
90	63	-2.11557
91	63	-4.38732
92	63	-7.84642
93	63	-13.0907
94	63	-13.657
95	63	-8.31285
96	63	-4.62906
97	63	-2.36659
98	63	-0.762112
99	63	0.296357
100	63	0.942959
101	63	1.25609
102	63	1.24634
103	63	0.916878
104	63	0.275454
105	63	-0.705653
106	63	-1.97464
107	63	-3.44431
108	63	-4.70699
109	63	-5.05858
110	63	-4.2065
111	63	-2.73529
112	63	-1.25582
113	63	-0.0123621
114	63	0.941769
115	63	1.61605
116	63	2.03259
117	63	2.21556
118	63	2.18151
119	63	1.95671
120	63	1.54632
121	63	0.999572
122	63	0.394499
123	63	-0.214821
124	63	-0.59352
125	63	-0.655291
126	63	-0.305082
127	63	0.27852
128	63	1.01183
129	63	1.81047
130	63	2.44395
131	63	2.97387
132	63	3.3772
133	63	3.65532
134	63	3.82687
135	63	3.86091
136	63	3.77252
137	63	3.62311
138	63	3.37897
139	63	3.07756
140	63	2.74447
141	63	2.43503
142	63	2.14077
143	63	1.92749
144	63	1.89042
145	63	1.8578
146	63	2.01561
147	63	2.26477
148	63	2.59649
149	63	2.95811
150	63	3.3323
151	63	3.68865
152	63	4.02529
153	63	4.32284
154	63	4.58065
155	63	4.79523
156	63	4.9724
157	63	5.11366
158	63	5.20511
159	63	5.27094
160	63	5.31879
161	63	5.33899

162	63	5.30666
163	63	5.25128
164	63	5.18684
165	63	5.14159
166	63	5.07843
167	63	4.98807
168	63	4.89455
169	63	4.80094
170	63	4.71093
171	63	4.63446
172	63	4.55761
173	63	4.4759
174	63	4.40264
175	63	4.33844
176	63	4.28224
177	63	4.23453
178	63	4.20153
179	63	4.17725
180	63	4.14959
-180	64	3.81175
-179	64	3.79392
-178	64	3.78587
-177	64	3.78366
-176	64	3.78909
-175	64	3.79759
-174	64	3.81292
-173	64	3.84189
-172	64	3.88076
-171	64	3.92247
-170	64	3.95411
-169	64	4.00859
-168	64	4.04761
-167	64	4.08182
-166	64	4.16168
-165	64	4.20409
-164	64	4.18876
-163	64	4.29929
-162	64	4.32571
-161	64	4.38233
-160	64	4.41614
-159	64	4.4431
-158	64	4.45946
-157	64	4.46523
-156	64	4.46534
-155	64	4.43298
-154	64	4.3873
-153	64	4.3186
-152	64	4.25216
-151	64	4.12681
-150	64	3.96909
-149	64	3.77531
-148	64	3.54779
-147	64	3.27834
-146	64	2.97344
-145	64	2.63407
-144	64	2.30138
-143	64	1.8971
-142	64	1.50913
-141	64	1.09566
-140	64	0.741635
-139	64	0.47738
-138	64	0.32552
-137	64	0.319522
-136	64	0.46331
-135	64	0.729115
-134	64	1.07051
-133	64	1.44969
-132	64	1.8303
-131	64	2.16599
-130	64	2.43015
-129	64	2.60166
-128	64	2.65907
-127	64	2.59213
-126	64	2.37511
-125	64	1.99196
-124	64	1.42189
-123	64	0.644834
-122	64	-0.364269
-121	64	-1.61712
-120	64	-3.0159
-119	64	-4.58299
-118	64	-5.70572
-117	64	-5.6084
-116	64	-4.46881
-115	64	-2.9833
-114	64	-1.51524
-113	64	-0.334547
-112	64	0.522666
-111	64	1.08334
-110	64	1.34534
-109	64	1.31149
-108	64	0.987123
-107	64	0.315721
-106	64	-0.708553
-105	64	-2.29178
-104	64	-4.55714
-103	64	-8.06748

-102	64	-13.745
-101	64	-15.902
-100	64	-10.2281
-99	64	-5.86621
-98	64	-3.19299
-97	64	-1.44226
-96	64	-0.347872
-95	64	0.295653
-94	64	0.551767
-93	64	0.470231
-92	64	-0.0735098
-91	64	-1.07728
-90	64	-2.68499
-89	64	-5.04492
-88	64	-8.70116
-87	64	-13.9931
-86	64	-13.413
-85	64	-8.11937
-84	64	-4.66411
-83	64	-2.44727
-82	64	-0.93868
-81	64	0.0217199
-80	64	0.608359
-79	64	0.829111
-78	64	0.766311
-77	64	0.3789
-76	64	-0.389771
-75	64	-1.49716
-74	64	-2.91527
-73	64	-4.50722
-72	64	-5.66469
-71	64	-5.55282
-70	64	-4.23532
-69	64	-2.56236
-68	64	-1.05224
-67	64	0.143403
-66	64	1.02658
-65	64	1.62198
-64	64	1.95528
-63	64	2.04975
-62	64	1.87895
-61	64	1.55551
-60	64	1.06288
-59	64	0.418703
-58	64	-0.216977
-57	64	-0.733188
-56	64	-0.975875
-55	64	-0.822994
-54	64	-0.294973
-53	64	0.411103
-52	64	1.17906
-51	64	1.90099
-50	64	2.53332
-49	64	3.03577
-48	64	3.34543
-47	64	3.57289
-46	64	3.68018
-45	64	3.66786
-44	64	3.55216
-43	64	3.3858
-42	64	3.06065
-41	64	2.73114
-40	64	2.3957
-39	64	2.08377
-38	64	1.83203
-37	64	1.65484
-36	64	1.61407
-35	64	1.71981
-34	64	1.94309
-33	64	2.2639
-32	64	2.63301
-31	64	3.03547
-30	64	3.42367
-29	64	3.77898
-28	64	4.14609
-27	64	4.43569
-26	64	4.68159
-25	64	4.87935
-24	64	5.03531
-23	64	5.15222
-22	64	5.22947
-21	64	5.28054
-20	64	5.27619
-19	64	5.2524
-18	64	5.20898
-17	64	5.14768
-16	64	5.07317
-15	64	4.99687
-14	64	4.91052
-13	64	4.80836
-12	64	4.71231
-11	64	4.61708
-10	64	4.52044
-9	64	4.44046
-8	64	4.36338
-7	64	4.28324
-6	64	4.2166

-5	64	4.1618
-4	64	4.12438
-3	64	4.06458
-2	64	4.028
-1	64	4.00037
0	64	3.99816
1	64	3.99665
2	64	3.98257
3	64	3.98259
4	64	3.97389
5	64	3.98631
6	64	4.0263
7	64	4.04377
8	64	4.08502
9	64	4.12608
10	64	4.16806
11	64	4.21745
12	64	4.27413
13	64	4.34275
14	64	4.39659
15	64	4.432
16	64	4.47964
17	64	4.53318
18	64	4.58727
19	64	4.62084
20	64	4.66108
21	64	4.68597
22	64	4.70195
23	64	4.70868
24	64	4.69465
25	64	4.66598
26	64	4.62576
27	64	4.54983
28	64	4.44796
29	64	4.30003
30	64	4.15226
31	64	3.95033
32	64	3.71673
33	64	3.44566
34	64	3.12982
35	64	2.78239
36	64	2.38356
37	64	1.99542
38	64	1.56856
39	64	1.17668
40	64	0.851057
41	64	0.5945
42	64	0.461418
43	64	0.4047
44	64	0.575157
45	64	0.864584
46	64	1.24384
47	64	1.62281
48	64	2.019
49	64	2.36668
50	64	2.64495
51	64	2.8251
52	64	2.89324
53	64	2.83679
54	64	2.62919
55	64	2.258
56	64	1.70263
57	64	0.985489
58	64	-0.0103472
59	64	-1.25109
60	64	-2.68609
61	64	-4.22648
62	64	-5.42531
63	64	-5.44674
64	64	-4.3714
65	64	-2.80305
66	64	-1.34011
67	64	-0.146279
68	64	0.737156
69	64	1.33141
70	64	1.62558
71	64	1.62602
72	64	1.34804
73	64	0.675262
74	64	-0.368986
75	64	-1.91352
76	64	-4.24346
77	64	-7.7307
78	64	-13.386
79	64	-16.0175
80	64	-9.98822
81	64	-5.53417
82	64	-2.86266
83	64	-1.12934
84	64	-0.00432163
85	64	0.699955
86	64	0.973886
87	64	0.888363
88	64	0.363678
89	64	-0.605461
90	64	-2.11809
91	64	-4.37481

92	64	-7.79388
93	64	-12.7678
94	64	-13.3745
95	64	-8.19427
96	64	-4.6261
97	64	-2.32768
98	64	-0.737871
99	64	0.305502
100	64	0.926418
101	64	1.22119
102	64	1.19243
103	64	0.839121
104	64	0.167887
105	64	-0.840971
106	64	-2.14668
107	64	-3.63334
108	64	-4.83735
109	64	-5.0452
110	64	-4.07012
111	64	-2.56415
112	64	-1.10072
113	64	0.105913
114	64	1.02007
115	64	1.65424
116	64	2.0309
117	64	2.17981
118	64	2.11736
119	64	1.85052
120	64	1.41096
121	64	0.812405
122	64	0.224704
123	64	-0.310983
124	64	-0.659971
125	64	-0.543404
126	64	-0.104277
127	64	0.644983
128	64	1.36445
129	64	2.04572
130	64	2.65168
131	64	3.12616
132	64	3.47165
133	64	3.69262
134	64	3.7876
135	64	3.77414
136	64	3.64787
137	64	3.47341
138	64	3.19523
139	64	2.86604
140	64	2.52462
141	64	2.21444
142	64	1.96942
143	64	1.83139
144	64	1.82211
145	64	1.95094
146	64	2.18638
147	64	2.50975
148	64	2.87633
149	64	3.25771
150	64	3.63162
151	64	3.97159
152	64	4.28157
153	64	4.54921
154	64	4.7718
155	64	4.95227
156	64	5.08472
157	64	5.18559
158	64	5.24546
159	64	5.27126
160	64	5.26656
161	64	5.23916
162	64	5.19147
163	64	5.12516
164	64	5.04293
165	64	4.95561
166	64	4.85896
167	64	4.75442
168	64	4.63976
169	64	4.52796
170	64	4.42133
171	64	4.32552
172	64	4.23448
173	64	4.1516
174	64	4.08053
175	64	4.01897
176	64	3.96245
177	64	3.9081
178	64	3.8614
179	64	3.82741
180	64	3.81175
-180	65	3.45872
-179	65	3.45573
-178	65	3.45258
-177	65	3.44897
-176	65	3.45901
-175	65	3.47122
-174	65	3.48822
-173	65	3.51811

-172	65	3.56554
-171	65	3.61284
-170	65	3.66358
-169	65	3.71209
-168	65	3.76747
-167	65	3.8331
-166	65	3.90627
-165	65	3.95148
-164	65	3.97401
-163	65	4.07057
-162	65	4.14543
-161	65	4.19925
-160	65	4.2551
-159	65	4.30596
-158	65	4.34247
-157	65	4.37445
-156	65	4.38858
-155	65	4.40102
-154	65	4.36863
-153	65	4.32694
-152	65	4.26296
-151	65	4.17927
-150	65	4.05663
-149	65	3.91367
-148	65	3.71644
-147	65	3.47934
-146	65	3.2043
-145	65	2.89156
-144	65	2.54234
-143	65	2.17126
-142	65	1.77402
-141	65	1.34237
-140	65	0.948586
-139	65	0.60506
-138	65	0.371182
-137	65	0.272331
-136	65	0.313838
-135	65	0.516861
-134	65	0.822046
-133	65	1.19213
-132	65	1.58709
-131	65	1.96079
-130	65	2.28198
-129	65	2.51748
-128	65	2.65007
-127	65	2.64976
-126	65	2.51093
-125	65	2.21496
-124	65	1.74024
-123	65	1.0577
-122	65	0.144802
-121	65	-1.01223
-120	65	-2.40777
-119	65	-3.93337
-118	65	-5.34063
-117	65	-5.84323
-116	65	-5.04712
-115	65	-3.57983
-114	65	-2.07489
-113	65	-0.815279
-112	65	0.132952
-111	65	0.797768
-110	65	1.19198
-109	65	1.28107
-108	65	1.0233
-107	65	0.430039
-106	65	-0.527018
-105	65	-2.04424
-104	65	-4.14439
-103	65	-7.38835
-102	65	-12.6064
-101	65	-16.5809
-100	65	-10.5445
-99	65	-6.5135
-98	65	-3.62779
-97	65	-1.72716
-96	65	-0.512497
-95	65	0.170772
-94	65	0.464914
-93	65	0.401273
-92	65	-0.123506
-91	65	-1.11684
-90	65	-2.66881
-89	65	-5.01057
-88	65	-8.6136
-87	65	-13.7639
-86	65	-13.2737
-85	65	-8.08116
-84	65	-4.77756
-83	65	-2.52122
-82	65	-1.03269
-81	65	-0.0456797
-80	65	0.534834
-79	65	0.746517
-78	65	0.700481
-77	65	0.257382
-76	65	-0.522978

-75	65	-1.67133
-74	65	-3.14496
-73	65	-4.73145
-72	65	-5.76247
-71	65	-5.44348
-70	65	-4.0159
-69	65	-2.33577
-68	65	-0.861826
-67	65	0.295741
-66	65	1.13819
-65	65	1.69124
-64	65	1.93731
-63	65	1.9887
-62	65	1.82204
-61	65	1.46096
-60	65	0.909858
-59	65	0.284059
-58	65	-0.336739
-57	65	-0.809347
-56	65	-0.967286
-55	65	-0.697759
-54	65	-0.129273
-53	65	0.592645
-52	65	1.34874
-51	65	2.04861
-50	65	2.58847
-49	65	3.03457
-48	65	3.33942
-47	65	3.52126
-46	65	3.58027
-45	65	3.52115
-44	65	3.36213
-43	65	3.11411
-42	65	2.79521
-41	65	2.4543
-40	65	2.14366
-39	65	1.85411
-38	65	1.65584
-37	65	1.58142
-36	65	1.64495
-35	65	1.82134
-34	65	2.11614
-33	65	2.4873
-32	65	2.89545
-31	65	3.30735
-30	65	3.70226
-29	65	4.05181
-28	65	4.35768
-27	65	4.61495
-26	65	4.82489
-25	65	4.98584
-24	65	5.09644
-23	65	5.17405
-22	65	5.20922
-21	65	5.213
-20	65	5.17925
-19	65	5.12959
-18	65	5.05517
-17	65	4.96647
-16	65	4.86277
-15	65	4.75198
-14	65	4.63838
-13	65	4.51662
-12	65	4.39459
-11	65	4.28092
-10	65	4.17435
-9	65	4.07064
-8	65	3.98687
-7	65	3.90388
-6	65	3.8303
-5	65	3.77136
-4	65	3.7224
-3	65	3.67808
-2	65	3.65495
-1	65	3.63549
0	65	3.63219
1	65	3.64071
2	65	3.64482
3	65	3.62678
4	65	3.62131
5	65	3.6635
6	65	3.68903
7	65	3.73267
8	65	3.77238
9	65	3.81618
10	65	3.87224
11	65	3.92832
12	65	3.98792
13	65	4.05747
14	65	4.13652
15	65	4.18965
16	65	4.24882
17	65	4.31821
18	65	4.37992
19	65	4.44194
20	65	4.49187
21	65	4.54286

22	65	4.5792
23	65	4.61072
24	65	4.62486
25	65	4.62144
26	65	4.6
27	65	4.55675
28	65	4.49059
29	65	4.37906
30	65	4.26486
31	65	4.10059
32	65	3.90302
33	65	3.66201
34	65	3.37806
35	65	3.04999
36	65	2.69032
37	65	2.28573
38	65	1.84402
39	65	1.4266
40	65	1.02585
41	65	0.689738
42	65	0.457055
43	65	0.36148
44	65	0.425176
45	65	0.574014
46	65	0.92511
47	65	1.34737
48	65	1.77068
49	65	2.17343
50	65	2.47391
51	65	2.72939
52	65	2.8814
53	65	2.88195
54	65	2.75415
55	65	2.46765
56	65	2.00372
57	65	1.33941
58	65	0.454633
59	65	-0.650192
60	65	-2.03504
61	65	-3.55041
62	65	-5.00606
63	65	-5.61116
64	65	-4.87584
65	65	-3.43619
66	65	-1.89362
67	65	-0.579014
68	65	0.40794
69	65	1.06583
70	65	1.45665
71	65	1.55765
72	65	1.32702
73	65	0.750789
74	65	-0.188911
75	65	-1.63953
76	65	-3.79135
77	65	-7.03941
78	65	-12.2508
79	65	-16.7271
80	65	-10.3789
81	65	-6.22159
82	65	-3.33063
83	65	-1.41537
84	65	-0.179936
85	65	0.544664
86	65	0.868935
87	65	0.810085
88	65	0.363453
89	65	-0.605846
90	65	-2.06922
91	65	-4.27166
92	65	-7.60628
93	65	-12.5137
94	65	-13.1869
95	65	-8.17871
96	65	-4.74612
97	65	-2.4088
98	65	-0.805985
99	65	0.243201
100	65	0.879694
101	65	1.17286
102	65	1.12917
103	65	0.756161
104	65	0.0510821
105	65	-0.993443
106	65	-2.33512
107	65	-3.82485
108	65	-4.96195
109	65	-5.01623
110	65	-3.92569
111	65	-2.39285
112	65	-0.954075
113	65	0.220482
114	65	1.10389
115	65	1.70611
116	65	2.05077
117	65	2.15592
118	65	2.0472

119	65	1.76144
120	65	1.24417
121	65	0.688822
122	65	0.115307
123	65	-0.431293
124	65	-0.592346
125	65	-0.407136
126	65	0.197529
127	65	0.935347
128	65	1.58292
129	65	2.23052
130	65	2.78084
131	65	3.20407
132	65	3.49902
133	65	3.66341
134	65	3.7402
135	65	3.67961
136	65	3.51612
137	65	3.26916
138	65	2.96181
139	65	2.62421
140	65	2.29286
141	65	2.02115
142	65	1.83758
143	65	1.78136
144	65	1.86629
145	65	2.07723
146	65	2.3792
147	65	2.74118
148	65	3.13168
149	65	3.51543
150	65	3.87595
151	65	4.19407
152	65	4.47405
153	65	4.70589
154	65	4.89316
155	65	5.03096
156	65	5.12775
157	65	5.18849
158	65	5.20773
159	65	5.20045
160	65	5.15966
161	65	5.09979
162	65	5.01438
163	65	4.91829
164	65	4.80797
165	65	4.68505
166	65	4.56728
167	65	4.44453
168	65	4.31828
169	65	4.19355
170	65	4.08278
171	65	3.98009
172	65	3.89021
173	65	3.7992
174	65	3.71303
175	65	3.63598
176	65	3.57192
177	65	3.51961
178	65	3.48833
179	65	3.46899
180	65	3.45872
-180	66	3.09581
-179	66	3.09103
-178	66	3.09204
-177	66	3.11114
-176	66	3.11693
-175	66	3.14233
-174	66	3.16266
-173	66	3.18465
-172	66	3.23002
-171	66	3.28222
-170	66	3.33833
-169	66	3.39173
-168	66	3.44862
-167	66	3.51248
-166	66	3.60366
-165	66	3.68604
-164	66	3.72711
-163	66	3.79592
-162	66	3.88733
-161	66	3.9627
-160	66	4.02983
-159	66	4.1004
-158	66	4.16423
-157	66	4.21613
-156	66	4.25888
-155	66	4.30209
-154	66	4.29515
-153	66	4.28411
-152	66	4.24903
-151	66	4.18905
-150	66	4.0997
-149	66	3.97976
-148	66	3.82532
-147	66	3.62966
-146	66	3.38053

-145	66	3.10844
-144	66	2.78155
-143	66	2.42835
-142	66	2.0071
-141	66	1.58738
-140	66	1.16818
-139	66	0.756731
-138	66	0.435484
-137	66	0.227524
-136	66	0.181759
-135	66	0.294242
-134	66	0.547957
-133	66	0.900922
-132	66	1.30222
-131	66	1.71089
-130	66	2.08199
-129	66	2.38197
-128	66	2.57852
-127	66	2.65234
-126	66	2.58942
-125	66	2.37353
-124	66	1.98955
-123	66	1.41174
-122	66	0.611327
-121	66	-0.440145
-120	66	-1.75418
-119	66	-3.26923
-118	66	-4.75245
-117	66	-5.71893
-116	66	-5.40786
-115	66	-4.12195
-114	66	-2.59443
-113	66	-1.23551
-112	66	-0.194656
-111	66	0.545015
-110	66	0.992491
-109	66	1.15135
-108	66	0.970167
-107	66	0.47986
-106	66	-0.392708
-105	66	-1.79587
-104	66	-3.83009
-103	66	-6.76931
-102	66	-11.6404
-101	66	-16.9043
-100	66	-11.4413
-99	66	-7.15965
-98	66	-4.00614
-97	66	-1.99759
-96	66	-0.699545
-95	66	0.0546222
-94	66	0.372125
-93	66	0.340945
-92	66	-0.15387
-91	66	-1.12452
-90	66	-2.65396
-89	66	-4.97934
-88	66	-8.53245
-87	66	-13.5739
-86	66	-13.1637
-85	66	-8.11093
-84	66	-4.83826
-83	66	-2.56744
-82	66	-1.07472
-81	66	-0.0974921
-80	66	0.472597
-79	66	0.753473
-78	66	0.595909
-77	66	0.153284
-76	66	-0.68192
-75	66	-1.87258
-74	66	-3.35461
-73	66	-4.87762
-72	66	-5.74508
-71	66	-5.24323
-70	66	-3.7582
-69	66	-2.10332
-68	66	-0.67588
-67	66	0.431915
-66	66	1.22924
-65	66	1.69238
-64	66	1.93757
-63	66	1.94756
-62	66	1.74397
-61	66	1.32805
-60	66	0.769769
-59	66	0.118852
-58	66	-0.500581
-57	66	-0.922414
-56	66	-0.976798
-55	66	-0.628939
-54	66	-0.0329604
-53	66	0.706176
-52	66	1.44451
-51	66	2.10468
-50	66	2.64151
-49	66	3.03658

-48	66	3.29907
-47	66	3.43468
-46	66	3.43976
-45	66	3.33827
-44	66	3.14901
-43	66	2.93105
-42	66	2.58464
-41	66	2.22403
-40	66	1.89223
-39	66	1.64575
-38	66	1.52795
-37	66	1.53173
-36	66	1.6868
-35	66	1.97193
-34	66	2.29081
-33	66	2.71163
-32	66	3.13889
-31	66	3.54749
-30	66	3.91782
-29	66	4.23873
-28	66	4.5106
-27	66	4.72833
-26	66	4.90048
-25	66	5.01757
-24	66	5.09227
-23	66	5.12573
-22	66	5.1287
-21	66	5.08397
-20	66	5.01581
-19	66	4.92927
-18	66	4.82234
-17	66	4.70286
-16	66	4.56837
-15	66	4.42667
-14	66	4.27627
-13	66	4.14848
-12	66	4.01095
-11	66	3.88161
-10	66	3.76995
-9	66	3.66308
-8	66	3.57276
-7	66	3.49016
-6	66	3.42013
-5	66	3.36597
-4	66	3.32778
-3	66	3.29031
-2	66	3.27435
-1	66	3.2507
0	66	3.25552
1	66	3.26817
2	66	3.27234
3	66	3.2559
4	66	3.29091
5	66	3.31592
6	66	3.35836
7	66	3.39221
8	66	3.4305
9	66	3.48141
10	66	3.53915
11	66	3.60544
12	66	3.67012
13	66	3.73752
14	66	3.8226
15	66	3.90589
16	66	3.97553
17	66	4.05269
18	66	4.12495
19	66	4.21412
20	66	4.26806
21	66	4.34331
22	66	4.40297
23	66	4.45666
24	66	4.50062
25	66	4.52514
26	66	4.53495
27	66	4.52111
28	66	4.48676
29	66	4.4131
30	66	4.32602
31	66	4.19797
32	66	4.04941
33	66	3.84769
34	66	3.59052
35	66	3.29401
36	66	2.9554
37	66	2.54976
38	66	2.13772
39	66	1.70276
40	66	1.2575
41	66	0.851162
42	66	0.524315
43	66	0.320608
44	66	0.280144
45	66	0.404528
46	66	0.650433
47	66	1.02198
48	66	1.42132

49	66	1.8731
50	66	2.27861
51	66	2.59403
52	66	2.78164
53	66	2.86358
54	66	2.81953
55	66	2.62097
56	66	2.22065
57	66	1.65103
58	66	0.859878
59	66	-0.172209
60	66	-1.43861
61	66	-2.93979
62	66	-4.40093
63	66	-5.47411
64	66	-5.25376
65	66	-4.01278
66	66	-2.43293
67	66	-1.02121
68	66	0.0654437
69	66	0.834092
70	66	1.3114
71	66	1.48353
72	66	1.31977
73	66	0.838732
74	66	-0.0345617
75	66	-1.38088
76	66	-3.38356
77	66	-6.40216
78	66	-11.2171
79	66	-16.922
80	66	-11.3139
81	66	-6.88672
82	66	-3.71102
83	66	-1.6759
84	66	-0.363576
85	66	0.439395
86	66	0.793616
87	66	0.764625
88	66	0.301982
89	66	-0.605899
90	66	-2.04923
91	66	-4.23556
92	66	-7.57053
93	66	-12.3536
94	66	-13.077
95	66	-8.1661
96	66	-4.77138
97	66	-2.4286
98	66	-0.856481
99	66	0.193478
100	66	0.829667
101	66	1.11532
102	66	1.05681
103	66	0.660617
104	66	-0.0722037
105	66	-1.14255
106	66	-2.51841
107	66	-4.00441
108	66	-5.0644
109	66	-4.95761
110	66	-3.75785
111	66	-2.21047
112	66	-0.799991
113	66	0.337592
114	66	1.1869
115	66	1.75271
116	66	2.06377
117	66	2.12257
118	66	1.98137
119	66	1.60688
120	66	1.11151
121	66	0.558167
122	66	-0.119977
123	66	-0.493143
124	66	-0.501368
125	66	-0.220559
126	66	0.345056
127	66	1.0313
128	66	1.72339
129	66	2.33641
130	66	2.84275
131	66	3.22129
132	66	3.49183
133	66	3.61707
134	66	3.61785
135	66	3.51297
136	66	3.31257
137	66	3.03439
138	66	2.70941
139	66	2.37157
140	66	2.06688
141	66	1.83797
142	66	1.72607
143	66	1.75624
144	66	1.92321
145	66	2.20678

146	66	2.55905
147	66	2.94942
148	66	3.34436
149	66	3.72079
150	66	4.05911
151	66	4.35136
152	66	4.5967
153	66	4.79068
154	66	4.94208
155	66	5.03969
156	66	5.10005
157	66	5.11712
158	66	5.10121
159	66	5.05585
160	66	4.98023
161	66	4.8862
162	66	4.77158
163	66	4.64795
164	66	4.50848
165	66	4.35961
166	66	4.22007
167	66	4.0759
168	66	3.93832
169	66	3.80533
170	66	3.68858
171	66	3.58523
172	66	3.49522
173	66	3.40772
174	66	3.3327
175	66	3.26787
176	66	3.21561
177	66	3.17156
178	66	3.13926
179	66	3.11477
180	66	3.09581
-180	67	2.78869
-179	67	2.79094
-178	67	2.79809
-177	67	2.80881
-176	67	2.82132
-175	67	2.83207
-174	67	2.87138
-173	67	2.89681
-172	67	2.92828
-171	67	2.98075
-170	67	3.02451
-169	67	3.06686
-168	67	3.13348
-167	67	3.19582
-166	67	3.2707
-165	67	3.40278
-164	67	3.49348
-163	67	3.5218
-162	67	3.60067
-161	67	3.6871
-160	67	3.77126
-159	67	3.85241
-158	67	3.93465
-157	67	4.00787
-156	67	4.07474
-155	67	4.14487
-154	67	4.16371
-153	67	4.17944
-152	67	4.17461
-151	67	4.14501
-150	67	4.08754
-149	67	4.00236
-148	67	3.88125
-147	67	3.7223
-146	67	3.52012
-145	67	3.27771
-144	67	2.9848
-143	67	2.64165
-142	67	2.23045
-141	67	1.82757
-140	67	1.3899
-139	67	0.957721
-138	67	0.571299
-137	67	0.222509
-136	67	0.060577
-135	67	0.0655295
-134	67	0.240941
-133	67	0.54816
-132	67	0.953197
-131	67	1.39361
-130	67	1.81084
-129	67	2.16586
-128	67	2.42787
-127	67	2.57677
-126	67	2.59501
-125	67	2.45908
-124	67	2.14741
-123	67	1.65317
-122	67	0.946543
-121	67	0.00254693
-120	67	-1.19843
-119	67	-2.6238

-118	67	-4.13337
-117	67	-5.32184
-116	67	-5.47036
-115	67	-4.58664
-114	67	-3.09371
-113	67	-1.65706
-112	67	-0.502253
-111	67	0.318245
-110	67	0.846395
-109	67	1.06311
-108	67	0.954789
-107	67	0.528307
-106	67	-0.279738
-105	67	-1.59549
-104	67	-3.49967
-103	67	-6.33754
-102	67	-10.662
-101	67	-16.5352
-100	67	-12.3794
-99	67	-7.73677
-98	67	-4.40779
-97	67	-2.27104
-96	67	-0.892917
-95	67	-0.0914091
-94	67	0.29498
-93	67	0.245527
-92	67	-0.21022
-91	67	-1.13706
-90	67	-2.64107
-89	67	-4.94679
-88	67	-8.45857
-87	67	-13.4282
-86	67	-13.1691
-85	67	-8.24676
-84	67	-4.90661
-83	67	-2.61564
-82	67	-1.1222
-81	67	-0.154409
-80	67	0.450564
-79	67	0.669902
-78	67	0.508698
-77	67	0.0398138
-76	67	-0.804204
-75	67	-1.9844
-74	67	-3.45868
-73	67	-4.96129
-72	67	-5.72258
-71	67	-5.07533
-70	67	-3.548
-69	67	-1.91751
-68	67	-0.528451
-67	67	0.49558
-66	67	1.24283
-65	67	1.70594
-64	67	1.91109
-63	67	1.88147
-62	67	1.63647
-61	67	1.17194
-60	67	0.57651
-59	67	-0.0891923
-58	67	-0.696646
-57	67	-1.05309
-56	67	-1.00557
-55	67	-0.570368
-54	67	0.0518486
-53	67	0.788553
-52	67	1.51924
-51	67	2.1551
-50	67	2.65999
-49	67	3.03049
-48	67	3.25923
-47	67	3.34148
-46	67	3.3188
-45	67	3.20903
-44	67	2.98142
-43	67	2.67655
-42	67	2.32827
-41	67	1.99094
-40	67	1.69594
-39	67	1.49933
-38	67	1.44877
-37	67	1.54736
-36	67	1.73579
-35	67	2.08745
-34	67	2.49819
-33	67	2.93487
-32	67	3.35516
-31	67	3.74777
-30	67	4.09148
-29	67	4.37896
-28	67	4.61208
-27	67	4.78963
-26	67	4.9161
-25	67	4.99209
-24	67	5.02688
-23	67	5.01255
-22	67	4.98432

-21	67	4.90132
-20	67	4.80264
-19	67	4.68411
-18	67	4.54574
-17	67	4.40125
-16	67	4.25103
-15	67	4.08145
-14	67	3.90852
-13	67	3.76889
-12	67	3.62982
-11	67	3.50048
-10	67	3.38851
-9	67	3.29168
-8	67	3.20526
-7	67	3.1293
-6	67	3.06792
-5	67	3.02484
-4	67	2.99868
-3	67	2.98097
-2	67	2.95769
-1	67	2.94786
0	67	2.94601
1	67	2.9499
2	67	2.94048
3	67	2.96232
4	67	2.98282
5	67	3.01474
6	67	3.05145
7	67	3.07722
8	67	3.11923
9	67	3.16736
10	67	3.22561
11	67	3.28697
12	67	3.35515
13	67	3.42033
14	67	3.5002
15	67	3.59834
16	67	3.68765
17	67	3.75958
18	67	3.83902
19	67	3.94458
20	67	4.01307
21	67	4.10959
22	67	4.18911
23	67	4.25877
24	67	4.32777
25	67	4.38064
26	67	4.4182
27	67	4.43454
28	67	4.43108
29	67	4.40807
30	67	4.34661
31	67	4.25354
32	67	4.14354
33	67	3.98088
34	67	3.76384
35	67	3.50471
36	67	3.19439
37	67	2.84011
38	67	2.43565
39	67	1.99317
40	67	1.52587
41	67	1.0644
42	67	0.656782
43	67	0.341222
44	67	0.175525
45	67	0.179908
46	67	0.365656
47	67	0.689252
48	67	1.10139
49	67	1.52854
50	67	1.96236
51	67	2.34181
52	67	2.62701
53	67	2.77406
54	67	2.80919
55	67	2.67809
56	67	2.37639
57	67	1.89135
58	67	1.17114
59	67	0.226324
60	67	-0.949947
61	67	-2.34226
62	67	-3.85294
63	67	-5.03915
64	67	-5.35712
65	67	-4.38388
66	67	-2.90862
67	67	-1.43162
68	67	-0.253534
69	67	0.609662
70	67	1.15916
71	67	1.39085
72	67	1.31499
73	67	0.905349
74	67	0.11082
75	67	-1.13807

76	67	-3.01608
77	67	-5.85555
78	67	-10.3131
79	67	-16.5371
80	67	-12.2669
81	67	-7.43762
82	67	-4.06465
83	67	-1.89148
84	67	-0.487037
85	67	0.329205
86	67	0.742898
87	67	0.728044
88	67	0.296532
89	67	-0.587637
90	67	-2.03549
91	67	-4.24343
92	67	-7.55644
93	67	-12.2603
94	67	-13.0012
95	67	-8.24622
96	67	-4.81685
97	67	-2.4583
98	67	-0.880532
99	67	0.162709
100	67	0.790104
101	67	1.06157
102	67	0.979173
103	67	0.561121
104	67	-0.202145
105	67	-1.31904
106	67	-2.71772
107	67	-4.19664
108	67	-5.12905
109	67	-4.86712
110	67	-3.58321
111	67	-2.03015
112	67	-0.643057
113	67	0.476636
114	67	1.29293
115	67	1.79576
116	67	2.05047
117	67	2.07622
118	67	1.85529
119	67	1.48754
120	67	0.980812
121	67	0.289141
122	67	-0.268081
123	67	-0.555824
124	67	-0.519234
125	67	-0.150593
126	67	0.44974
127	67	1.14184
128	67	1.80357
129	67	2.39926
130	67	2.87494
131	67	3.21829
132	67	3.42836
133	67	3.50024
134	67	3.47125
135	67	3.32229
136	67	3.0853
137	67	2.78298
138	67	2.44954
139	67	2.1255
140	67	1.85753
141	67	1.68924
142	67	1.65528
143	67	1.77304
144	67	2.01603
145	67	2.35517
146	67	2.74119
147	67	3.14659
148	67	3.53386
149	67	3.89395
150	67	4.20705
151	67	4.46742
152	67	4.67606
153	67	4.83302
154	67	4.94235
155	67	5.00356
156	67	5.02606
157	67	5.00445
158	67	4.95482
159	67	4.86911
160	67	4.76272
161	67	4.63686
162	67	4.49334
163	67	4.34008
164	67	4.17972
165	67	4.00422
166	67	3.84325
167	67	3.69257
168	67	3.55042
169	67	3.42086
170	67	3.31151
171	67	3.20962
172	67	3.11802

173	67	3.03578
174	67	2.96267
175	67	2.90446
176	67	2.86165
177	67	2.82795
178	67	2.8064
179	67	2.79402
180	67	2.78869
-180	68	2.56135
-179	68	2.55789
-178	68	2.56266
-177	68	2.57492
-176	68	2.58963
-175	68	2.61177
-174	68	2.63605
-173	68	2.66546
-172	68	2.68247
-171	68	2.73753
-170	68	2.79182
-169	68	2.83557
-168	68	2.8889
-167	68	2.94731
-166	68	3.03384
-165	68	3.09467
-164	68	3.16568
-163	68	3.27879
-162	68	3.32144
-161	68	3.4144
-160	68	3.51156
-159	68	3.60281
-158	68	3.69061
-157	68	3.77571
-156	68	3.85937
-155	68	3.94487
-154	68	3.98949
-153	68	4.03283
-152	68	4.05603
-151	68	4.05806
-150	68	4.03299
-149	68	3.98154
-148	68	3.8926
-147	68	3.77154
-146	68	3.60913
-145	68	3.40154
-144	68	3.14948
-143	68	2.8528
-142	68	2.47892
-141	68	2.07715
-140	68	1.63451
-139	68	1.17643
-138	68	0.733516
-137	68	0.341192
-136	68	0.0563489
-135	68	-0.0685574
-134	68	-0.057188
-133	68	0.175485
-132	68	0.549358
-131	68	0.992443
-130	68	1.44619
-129	68	1.85891
-128	68	2.19416
-127	68	2.4151
-126	68	2.4999
-125	68	2.43177
-124	68	2.19754
-123	68	1.78717
-122	68	1.17648
-121	68	0.332041
-120	68	-0.769261
-119	68	-2.12366
-118	68	-3.62346
-117	68	-4.93851
-116	68	-5.44568
-115	68	-4.74861
-114	68	-3.49083
-113	68	-2.0508
-112	68	-0.835108
-111	68	0.0783878
-110	68	0.674229
-109	68	0.960507
-108	68	0.931901
-107	68	0.585949
-106	68	-0.17638
-105	68	-1.3399
-104	68	-3.15926
-103	68	-5.83406
-102	68	-10.0849
-101	68	-15.7913
-100	68	-13.1861
-99	68	-7.96738
-98	68	-4.88926
-97	68	-2.61468
-96	68	-1.12524
-95	68	-0.228906
-94	68	0.192778
-93	68	0.169589
-92	68	-0.268357

-91	68	-1.16388
-90	68	-2.62544
-89	68	-4.90127
-88	68	-8.37163
-87	68	-13.251
-86	68	-13.2479
-85	68	-8.48913
-84	68	-5.05777
-83	68	-2.7716
-82	68	-1.2626
-81	68	-0.177612
-80	68	0.386317
-79	68	0.592796
-78	68	0.441049
-77	68	-0.0855674
-76	68	-0.916798
-75	68	-2.13449
-74	68	-3.63326
-73	68	-5.07564
-72	68	-5.68263
-71	68	-4.9153
-70	68	-3.36375
-69	68	-1.76833
-68	68	-0.466368
-67	68	0.549522
-66	68	1.25663
-65	68	1.67629
-64	68	1.83916
-63	68	1.77092
-62	68	1.46948
-61	68	0.980261
-60	68	0.348207
-59	68	-0.342226
-58	68	-0.936428
-57	68	-1.14263
-56	68	-1.02815
-55	68	-0.583067
-54	68	0.116597
-53	68	0.885946
-52	68	1.59897
-51	68	2.19657
-50	68	2.66573
-49	68	2.99541
-48	68	3.19946
-47	68	3.28836
-46	68	3.229
-45	68	3.0521
-44	68	2.78927
-43	68	2.45807
-42	68	2.11296
-41	68	1.78521
-40	68	1.52488
-39	68	1.36073
-38	68	1.37647
-37	68	1.55278
-36	68	1.86544
-35	68	2.26134
-34	68	2.69439
-33	68	3.13455
-32	68	3.5419
-31	68	3.90892
-30	68	4.21926
-29	68	4.47234
-28	68	4.66977
-27	68	4.81066
-26	68	4.89932
-25	68	4.94312
-24	68	4.93879
-23	68	4.88145
-22	68	4.81656
-21	68	4.71033
-20	68	4.58268
-19	68	4.42707
-18	68	4.27135
-17	68	4.10446
-16	68	3.93642
-15	68	3.74169
-14	68	3.57849
-13	68	3.42436
-12	68	3.28642
-11	68	3.16341
-10	68	3.05715
-9	68	2.96798
-8	68	2.89224
-7	68	2.83541
-6	68	2.79491
-5	68	2.76671
-4	68	2.75317
-3	68	2.74216
-2	68	2.73298
-1	68	2.73092
0	68	2.72665
1	68	2.72138
2	68	2.73416
3	68	2.77043
4	68	2.7887
5	68	2.81836

6	68	2.82807
7	68	2.86048
8	68	2.89375
9	68	2.93448
10	68	2.98365
11	68	3.03516
12	68	3.09227
13	68	3.15242
14	68	3.22403
15	68	3.31827
16	68	3.42287
17	68	3.49353
18	68	3.57387
19	68	3.67668
20	68	3.75902
21	68	3.85812
22	68	3.95148
23	68	4.03911
24	68	4.12086
25	68	4.19356
26	68	4.25738
27	68	4.30496
28	68	4.32986
29	68	4.35099
30	68	4.3141
31	68	4.25594
32	68	4.18209
33	68	4.05956
34	68	3.88776
35	68	3.66602
36	68	3.39755
37	68	3.06883
38	68	2.69281
39	68	2.27494
40	68	1.81548
41	68	1.33333
42	68	0.867679
43	68	0.457694
44	68	0.16449
45	68	0.0380939
46	68	0.103939
47	68	0.341571
48	68	0.717171
49	68	1.16463
50	68	1.61599
51	68	2.01431
52	68	2.38033
53	68	2.61224
54	68	2.70477
55	68	2.64528
56	68	2.43282
57	68	2.01913
58	68	1.41529
59	68	0.577844
60	68	-0.52291
61	68	-1.84785
62	68	-3.34683
63	68	-4.67161
64	68	-5.17063
65	68	-4.68381
66	68	-3.27841
67	68	-1.82313
68	68	-0.567538
69	68	0.372004
70	68	0.993318
71	68	1.29882
72	68	1.29311
73	68	0.942089
74	68	0.220759
75	68	-0.944428
76	68	-2.71056
77	68	-5.37431
78	68	-9.53979
79	68	-15.8829
80	68	-13.2149
81	68	-7.64707
82	68	-4.50699
83	68	-2.23326
84	68	-0.708675
85	68	0.22295
86	68	0.659133
87	68	0.67234
88	68	0.268242
89	68	-0.589421
90	68	-1.98779
91	68	-4.13937
92	68	-7.36657
93	68	-11.9803
94	68	-12.9495
95	68	-8.401
96	68	-4.9171
97	68	-2.5725
98	68	-0.952715
99	68	0.0825219
100	68	0.697026
101	68	0.964948
102	68	0.878003

103	68	0.444968
104	68	-0.339093
105	68	-1.46065
106	68	-2.85733
107	68	-4.28177
108	68	-5.12052
109	68	-4.69262
110	68	-3.38294
111	68	-1.84876
112	68	-0.487038
113	68	0.577469
114	68	1.32953
115	68	1.79816
116	68	1.9838
117	68	1.96916
118	68	1.74922
119	68	1.3436
120	68	0.689815
121	68	0.073007
122	68	-0.411029
123	68	-0.649316
124	68	-0.53878
125	68	-0.106699
126	68	0.497817
127	68	1.20878
128	68	1.8675
129	68	2.44534
130	68	2.88586
131	68	3.18981
132	68	3.35436
133	68	3.39827
134	68	3.32014
135	68	3.13439
136	68	2.8674
137	68	2.54779
138	68	2.21516
139	68	1.9106
140	68	1.68704
141	68	1.58847
142	68	1.63844
143	68	1.83111
144	68	2.1417
145	68	2.52216
146	68	2.92839
147	68	3.34191
148	68	3.71233
149	68	4.04892
150	68	4.33135
151	68	4.55768
152	68	4.73007
153	68	4.84902
154	68	4.91805
155	68	4.94406
156	68	4.92824
157	68	4.86892
158	68	4.78275
159	68	4.6657
160	68	4.528
161	68	4.37278
162	68	4.21043
163	68	4.03926
164	68	3.86587
165	68	3.68196
166	68	3.50901
167	68	3.35511
168	68	3.21472
169	68	3.09231
170	68	2.99072
171	68	2.89645
172	68	2.8103
173	68	2.73822
174	68	2.67898
175	68	2.63826
176	68	2.60831
177	68	2.58574
178	68	2.57283
179	68	2.56713
180	68	2.56135
-180	69	2.49063
-179	69	2.48505
-178	69	2.49155
-177	69	2.49939
-176	69	2.50842
-175	69	2.52271
-174	69	2.53645
-173	69	2.55756
-172	69	2.57619
-171	69	2.60156
-170	69	2.62763
-169	69	2.6489
-168	69	2.70522
-167	69	2.75646
-166	69	2.88928
-165	69	2.89287
-164	69	2.97412
-163	69	3.03663
-162	69	3.10773

-161	69	3.19537
-160	69	3.28837
-159	69	3.37353
-158	69	3.46532
-157	69	3.554
-156	69	3.64642
-155	69	3.74341
-154	69	3.80738
-153	69	3.87128
-152	69	3.91734
-151	69	3.94456
-150	69	3.95163
-149	69	3.93472
-148	69	3.88411
-147	69	3.80397
-146	69	3.67702
-145	69	3.50831
-144	69	3.29435
-143	69	3.02985
-142	69	2.71032
-141	69	2.34603
-140	69	1.92846
-139	69	1.47262
-138	69	0.97094
-137	69	0.512964
-136	69	0.132339
-135	69	-0.124302
-134	69	-0.210632
-133	69	-0.112781
-132	69	0.148338
-131	69	0.568872
-130	69	1.03853
-129	69	1.48266
-128	69	1.85995
-127	69	2.14201
-126	69	2.30476
-125	69	2.33056
-124	69	2.1907
-123	69	1.86345
-122	69	1.331
-121	69	0.569575
-120	69	-0.431972
-119	69	-1.70623
-118	69	-3.15435
-117	69	-4.53216
-116	69	-5.3217
-115	69	-4.95511
-114	69	-3.7402
-113	69	-2.30936
-112	69	-1.11355
-111	69	-0.144656
-110	69	0.503824
-109	69	0.839979
-108	69	0.8646
-107	69	0.58919
-106	69	-0.104664
-105	69	-1.19603
-104	69	-2.86852
-103	69	-5.3684
-102	69	-9.25176
-101	69	-15.1684
-100	69	-14.0154
-99	69	-8.50506
-98	69	-5.2212
-97	69	-2.79305
-96	69	-1.28713
-95	69	-0.361766
-94	69	0.0828016
-93	69	0.107048
-92	69	-0.313477
-91	69	-1.18989
-90	69	-2.62948
-89	69	-4.81346
-88	69	-8.1875
-87	69	-13.0039
-86	69	-13.361
-85	69	-8.66779
-84	69	-5.16545
-83	69	-2.88719
-82	69	-1.32688
-81	69	-0.267379
-80	69	0.305501
-79	69	0.510294
-78	69	0.346871
-77	69	-0.205209
-76	69	-1.05465
-75	69	-2.30459
-74	69	-3.80164
-73	69	-5.17356
-72	69	-5.63926
-71	69	-4.77767
-70	69	-3.22408
-69	69	-1.69886
-68	69	-0.415187
-67	69	0.556897
-66	69	1.23306
-65	69	1.61223

-64	69	1.72584
-63	69	1.60214
-62	69	1.26493
-61	69	0.744122
-60	69	0.0838321
-59	69	-0.535063
-58	69	-1.07793
-57	69	-1.30042
-56	69	-1.14268
-55	69	-0.60169
-54	69	0.155748
-53	69	0.952891
-52	69	1.67054
-51	69	2.25756
-50	69	2.72367
-49	69	3.02939
-48	69	3.18644
-47	69	3.20758
-46	69	3.10234
-45	69	2.91168
-44	69	2.62715
-43	69	2.27517
-42	69	1.92634
-41	69	1.60658
-40	69	1.37841
-39	69	1.30428
-38	69	1.39819
-37	69	1.64662
-36	69	2.00683
-35	69	2.4341
-34	69	2.87768
-33	69	3.31009
-32	69	3.70185
-31	69	4.04373
-30	69	4.32421
-29	69	4.54796
-28	69	4.70674
-27	69	4.81078
-26	69	4.86023
-25	69	4.8628
-24	69	4.82279
-23	69	4.73156
-22	69	4.62882
-21	69	4.49341
-20	69	4.34017
-19	69	4.16601
-18	69	3.99247
-17	69	3.81452
-16	69	3.64221
-15	69	3.44024
-14	69	3.29249
-13	69	3.14837
-12	69	3.02191
-11	69	2.92249
-10	69	2.83191
-9	69	2.76912
-8	69	2.7252
-7	69	2.68956
-6	69	2.66248
-5	69	2.6506
-4	69	2.64265
-3	69	2.64901
-2	69	2.66279
-1	69	2.67255
0	69	2.66858
1	69	2.66701
2	69	2.6974
3	69	2.71042
4	69	2.72635
5	69	2.73153
6	69	2.74856
7	69	2.77115
8	69	2.79086
9	69	2.82099
10	69	2.84964
11	69	2.88899
12	69	2.92972
13	69	2.98042
14	69	3.03763
15	69	3.11822
16	69	3.20835
17	69	3.28084
18	69	3.34732
19	69	3.43394
20	69	3.53015
21	69	3.61972
22	69	3.71307
23	69	3.80773
24	69	3.90273
25	69	3.99127
26	69	4.07173
27	69	4.14169
28	69	4.19222
29	69	4.24237
30	69	4.23713
31	69	4.21278
32	69	4.17355

33	69	4.09057
34	69	3.95756
35	69	3.77975
36	69	3.55627
37	69	3.282
38	69	2.947
39	69	2.54861
40	69	2.1123
41	69	1.62932
42	69	1.13558
43	69	0.659766
44	69	0.263716
45	69	7.54E-05
46	69	-0.0696944
47	69	0.0623536
48	69	0.360998
49	69	0.785021
50	69	1.2474
51	69	1.70212
52	69	2.07627
53	69	2.32986
54	69	2.5439
55	69	2.57221
56	69	2.41571
57	69	2.08226
58	69	1.54523
59	69	0.799529
60	69	-0.196369
61	69	-1.44598
62	69	-2.91096
63	69	-4.28876
64	69	-5.09785
65	69	-4.77441
66	69	-3.66702
67	69	-2.18122
68	69	-0.877991
69	69	0.138823
70	69	0.825953
71	69	1.19399
72	69	1.23654
73	69	0.96341
74	69	0.306227
75	69	-0.781332
76	69	-2.44179
77	69	-4.95198
78	69	-8.87308
79	69	-15.11
80	69	-14.1513
81	69	-8.20088
82	69	-4.87457
83	69	-2.46273
84	69	-0.86513
85	69	0.124541
86	69	0.590172
87	69	0.634957
88	69	0.261002
89	69	-0.56617
90	69	-1.94944
91	69	-4.12458
92	69	-7.19318
93	69	-11.7059
94	69	-13.105
95	69	-8.71252
96	69	-5.08461
97	69	-2.6742
98	69	-1.0604
99	69	0.0470518
100	69	0.666708
101	69	0.912039
102	69	0.796393
103	69	0.329465
104	69	-0.440348
105	69	-1.57606
106	69	-2.97584
107	69	-4.36164
108	69	-5.09787
109	69	-4.59142
110	69	-3.23434
111	69	-1.71489
112	69	-0.403529
113	69	0.598067
114	69	1.30518
115	69	1.72333
116	69	1.90946
117	69	1.86745
118	69	1.60444
119	69	1.06298
120	69	0.439835
121	69	-0.141779
122	69	-0.592614
123	69	-0.766535
124	69	-0.628127
125	69	-0.107821
126	69	0.561827
127	69	1.28004
128	69	1.94497
129	69	2.47753

130	69	2.88475
131	69	3.15187
132	69	3.27435
133	69	3.27889
134	69	3.16309
135	69	2.94627
136	69	2.65761
137	69	2.32387
138	69	1.9956
139	69	1.71948
140	69	1.55257
141	69	1.52656
142	69	1.6567
143	69	1.92237
144	69	2.2823
145	69	2.69463
146	69	3.11059
147	69	3.51014
148	69	3.86836
149	69	4.17818
150	69	4.42834
151	69	4.62288
152	69	4.75696
153	69	4.84044
154	69	4.87198
155	69	4.85976
156	69	4.80954
157	69	4.71673
158	69	4.59813
159	69	4.45275
160	69	4.29738
161	69	4.12381
162	69	3.94691
163	69	3.7636
164	69	3.584
165	69	3.40544
166	69	3.22998
167	69	3.08299
168	69	2.95956
169	69	2.86307
170	69	2.76937
171	69	2.69521
172	69	2.63059
173	69	2.58091
174	69	2.54199
175	69	2.51766
176	69	2.50183
177	69	2.49176
178	69	2.4901
179	69	2.49193
180	69	2.49063
-180	70	2.55572
-179	70	2.55461
-178	70	2.56487
-177	70	2.57474
-176	70	2.58326
-175	70	2.58835
-174	70	2.59031
-173	70	2.59995
-172	70	2.61187
-171	70	2.61603
-170	70	2.62081
-169	70	2.62687
-168	70	2.61884
-167	70	2.64774
-166	70	2.68943
-165	70	2.74025
-164	70	2.81222
-163	70	2.85543
-162	70	2.89895
-161	70	2.96351
-160	70	3.09655
-159	70	3.18357
-158	70	3.28352
-157	70	3.37641
-156	70	3.46662
-155	70	3.56195
-154	70	3.63322
-153	70	3.70827
-152	70	3.77232
-151	70	3.82252
-150	70	3.85355
-149	70	3.86521
-148	70	3.84977
-147	70	3.8028
-146	70	3.71602
-145	70	3.59444
-144	70	3.42164
-143	70	3.18686
-142	70	2.91965
-141	70	2.58937
-140	70	2.20534
-139	70	1.77084
-138	70	1.28894
-137	70	0.795794
-136	70	0.312425
-135	70	-0.0550866

-134	70	-0.275281
-133	70	-0.314956
-132	70	-0.152648
-131	70	0.170664
-130	70	0.610223
-129	70	1.07655
-128	70	1.50829
-127	70	1.85882
-126	70	2.09444
-125	70	2.18005
-124	70	2.10237
-123	70	1.81781
-122	70	1.38828
-121	70	0.710508
-120	70	-0.20848
-119	70	-1.39087
-118	70	-2.79277
-117	70	-4.20684
-116	70	-5.1423
-115	70	-5.10058
-114	70	-4.05041
-113	70	-2.66043
-112	70	-1.37562
-111	70	-0.368956
-110	70	0.353811
-109	70	0.759718
-108	70	0.805428
-107	70	0.601129
-106	70	-0.0336617
-105	70	-1.06491
-104	70	-2.65502
-103	70	-5.04325
-102	70	-8.61915
-101	70	-14.2372
-100	70	-14.6024
-99	70	-9.0044
-98	70	-5.58727
-97	70	-3.09538
-96	70	-1.45617
-95	70	-0.453017
-94	70	0.0201216
-93	70	0.107919
-92	70	-0.30574
-91	70	-1.19137
-90	70	-2.59771
-89	70	-4.73216
-88	70	-8.01805
-87	70	-12.7352
-86	70	-13.4241
-85	70	-8.8114
-84	70	-5.33408
-83	70	-2.97935
-82	70	-1.44668
-81	70	-0.386475
-80	70	0.207646
-79	70	0.407644
-78	70	0.237413
-77	70	-0.289757
-76	70	-1.18735
-75	70	-2.4285
-74	70	-3.90931
-73	70	-5.23872
-72	70	-5.63073
-71	70	-4.71693
-70	70	-3.17556
-69	70	-1.65558
-68	70	-0.3799
-67	70	0.565769
-66	70	1.19612
-65	70	1.53318
-64	70	1.60681
-63	70	1.42685
-62	70	1.02501
-61	70	0.489411
-60	70	-0.181368
-59	70	-0.851297
-58	70	-1.32825
-57	70	-1.44617
-56	70	-1.18217
-55	70	-0.537756
-54	70	0.278807
-53	70	1.06693
-52	70	1.76444
-51	70	2.34426
-50	70	2.76931
-49	70	3.03746
-48	70	3.15876
-47	70	3.16115
-46	70	3.02084
-45	70	2.77916
-44	70	2.46695
-43	70	2.11485
-42	70	1.7537
-41	70	1.45709
-40	70	1.28679
-39	70	1.27997
-38	70	1.44145

-37	70	1.75141
-36	70	2.15391
-35	70	2.60029
-34	70	3.05003
-33	70	3.47088
-32	70	3.84039
-31	70	4.15572
-30	70	4.40673
-29	70	4.59655
-28	70	4.72385
-27	70	4.7973
-26	70	4.81827
-25	70	4.78746
-24	70	4.7189
-23	70	4.61385
-22	70	4.48463
-21	70	4.3275
-20	70	4.15094
-19	70	3.96903
-18	70	3.78148
-17	70	3.59427
-16	70	3.42246
-15	70	3.23375
-14	70	3.09427
-13	70	2.97487
-12	70	2.87283
-11	70	2.79688
-10	70	2.74038
-9	70	2.70954
-8	70	2.68768
-7	70	2.68403
-6	70	2.6721
-5	70	2.6773
-4	70	2.68898
-3	70	2.70609
-2	70	2.70275
-1	70	2.73298
0	70	2.74898
1	70	2.75129
2	70	2.77195
3	70	2.78256
4	70	2.78648
5	70	2.78981
6	70	2.80641
7	70	2.8091
8	70	2.81681
9	70	2.82773
10	70	2.83932
11	70	2.85903
12	70	2.88005
13	70	2.90857
14	70	2.94255
15	70	2.9938
16	70	3.0579
17	70	3.12532
18	70	3.17939
19	70	3.24319
20	70	3.34054
21	70	3.4162
22	70	3.50294
23	70	3.59167
24	70	3.68612
25	70	3.78405
26	70	3.87299
27	70	3.95852
28	70	4.03041
29	70	4.09591
30	70	4.12328
31	70	4.13226
32	70	4.12724
33	70	4.07835
34	70	3.98576
35	70	3.85694
36	70	3.67803
37	70	3.44442
38	70	3.14676
39	70	2.80905
40	70	2.40698
41	70	1.93008
42	70	1.43315
43	70	0.923758
44	70	0.458492
45	70	0.085555
46	70	-0.113455
47	70	-0.123694
48	70	0.0643812
49	70	0.435433
50	70	0.880225
51	70	1.34595
52	70	1.76134
53	70	2.08892
54	70	2.31578
55	70	2.38341
56	70	2.36117
57	70	2.09609
58	70	1.62596
59	70	0.937408

60	70	-0.00521155
61	70	-1.1623
62	70	-2.58267
63	70	-4.02805
64	70	-5.0264
65	70	-5.00854
66	70	-3.94148
67	70	-2.57731
68	70	-1.18062
69	70	-0.111955
70	70	0.648852
71	70	1.08148
72	70	1.18329
73	70	0.976925
74	70	0.378735
75	70	-0.636993
76	70	-2.19523
77	70	-4.54791
78	70	-8.22911
79	70	-14.1905
80	70	-14.9698
81	70	-8.75121
82	70	-5.2132
83	70	-2.67767
84	70	-1.00854
85	70	0.0379096
86	70	0.531962
87	70	0.598414
88	70	0.237976
89	70	-0.552323
90	70	-1.88749
91	70	-3.91492
92	70	-7.02953
93	70	-11.4716
94	70	-13.1913
95	70	-8.82826
96	70	-5.20758
97	70	-2.80574
98	70	-1.17622
99	70	-0.055013
100	70	0.59584
101	70	0.85185
102	70	0.732809
103	70	0.274778
104	70	-0.541112
105	70	-1.69154
106	70	-3.09336
107	70	-4.43936
108	70	-5.08297
109	70	-4.5106
110	70	-3.13145
111	70	-1.64139
112	70	-0.362155
113	70	0.615492
114	70	1.27592
115	70	1.67977
116	70	1.81727
117	70	1.72082
118	70	1.25541
119	70	0.770108
120	70	0.203938
121	70	-0.3738
122	70	-0.822611
123	70	-0.931308
124	70	-0.660567
125	70	-0.076646
126	70	0.629562
127	70	1.35081
128	70	2.0123
129	70	2.50453
130	70	2.87707
131	70	3.10023
132	70	3.20103
133	70	3.16177
134	70	3.00807
135	70	2.76131
136	70	2.45142
137	70	2.11278
138	70	1.79776
139	70	1.56533
140	70	1.4624
141	70	1.51167
142	70	1.71471
143	70	2.0401
144	70	2.43964
145	70	2.86937
146	70	3.29056
147	70	3.67796
148	70	4.01388
149	70	4.29626
150	70	4.51621
151	70	4.67672
152	70	4.77836
153	70	4.82807
154	70	4.82583
155	70	4.7805
156	70	4.69582

157	70	4.57991
158	70	4.4353
159	70	4.26928
160	70	4.08723
161	70	3.90084
162	70	3.70834
163	70	3.51672
164	70	3.3427
165	70	3.17278
166	70	3.01331
167	70	2.88412
168	70	2.78568
169	70	2.7071
170	70	2.63746
171	70	2.58587
172	70	2.55033
173	70	2.52823
174	70	2.5131
175	70	2.51388
176	70	2.51982
177	70	2.52603
178	70	2.53118
179	70	2.54311
180	70	2.55572
-180	71	2.7104
-179	71	2.7169
-178	71	2.72905
-177	71	2.73571
-176	71	2.74231
-175	71	2.74664
-174	71	2.74639
-173	71	2.74759
-172	71	2.75663
-171	71	2.74714
-170	71	2.72969
-169	71	2.71846
-168	71	2.71748
-167	71	2.65944
-166	71	2.71287
-165	71	2.71332
-164	71	2.75235
-163	71	2.78351
-162	71	2.82268
-161	71	2.83387
-160	71	2.89467
-159	71	3.00459
-158	71	3.07946
-157	71	3.16812
-156	71	3.25966
-155	71	3.35728
-154	71	3.44677
-153	71	3.53918
-152	71	3.62038
-151	71	3.69282
-150	71	3.74845
-149	71	3.78792
-148	71	3.80043
-147	71	3.78036
-146	71	3.72873
-145	71	3.63912
-144	71	3.50271
-143	71	3.31275
-142	71	3.10001
-141	71	2.80745
-140	71	2.46209
-139	71	2.05507
-138	71	1.5996
-137	71	1.11496
-136	71	0.625612
-135	71	0.184773
-134	71	-0.173716
-133	71	-0.367907
-132	71	-0.35805
-131	71	-0.146493
-130	71	0.222332
-129	71	0.654981
-128	71	1.10753
-127	71	1.49931
-126	71	1.80433
-125	71	1.94313
-124	71	1.92894
-123	71	1.73457
-122	71	1.34052
-121	71	0.731844
-120	71	-0.110153
-119	71	-1.21866
-118	71	-2.56762
-117	71	-3.99951
-116	71	-5.08576
-115	71	-5.27828
-114	71	-4.37884
-113	71	-3.00842
-112	71	-1.68108
-111	71	-0.60728
-110	71	0.1622
-109	71	0.637673
-108	71	0.777877

-107	71	0.600406
-106	71	0.0519422
-105	71	-0.91958
-104	71	-2.4312
-103	71	-4.73014
-102	71	-8.18261
-101	71	-13.4594
-100	71	-14.9723
-99	71	-9.37071
-98	71	-5.68678
-97	71	-3.3339
-96	71	-1.64732
-95	71	-0.579588
-94	71	-0.0676412
-93	71	0.0364402
-92	71	-0.313335
-91	71	-1.14414
-90	71	-2.53224
-89	71	-4.62519
-88	71	-7.87267
-87	71	-12.5651
-86	71	-13.3699
-85	71	-9.06984
-84	71	-5.53635
-83	71	-3.16811
-82	71	-1.54461
-81	71	-0.462317
-80	71	0.122392
-79	71	0.313018
-78	71	0.13761
-77	71	-0.400601
-76	71	-1.3515
-75	71	-2.56923
-74	71	-4.06092
-73	71	-5.34626
-72	71	-5.55131
-71	71	-4.5865
-70	71	-3.04162
-69	71	-1.55704
-68	71	-0.358992
-67	71	0.51149
-66	71	1.08191
-65	71	1.38429
-64	71	1.43015
-63	71	1.23725
-62	71	0.832352
-61	71	0.23792
-60	71	-0.467481
-59	71	-1.12229
-58	71	-1.53387
-57	71	-1.56013
-56	71	-1.14426
-55	71	-0.435026
-54	71	0.379613
-53	71	1.19891
-52	71	1.89561
-51	71	2.43836
-50	71	2.82637
-49	71	3.07449
-48	71	3.16752
-47	71	3.09907
-46	71	2.9565
-45	71	2.67649
-44	71	2.32594
-43	71	1.93504
-42	71	1.58569
-41	71	1.32361
-40	71	1.21101
-39	71	1.2734
-38	71	1.50408
-37	71	1.86617
-36	71	2.30447
-35	71	2.76708
-34	71	3.21617
-33	71	3.62489
-32	71	3.97612
-31	71	4.2695
-30	71	4.4956
-29	71	4.66092
-28	71	4.76235
-27	71	4.80661
-26	71	4.79957
-25	71	4.7432
-24	71	4.64689
-23	71	4.52641
-22	71	4.3703
-21	71	4.19608
-20	71	4.00922
-19	71	3.81882
-18	71	3.62888
-17	71	3.44535
-16	71	3.27371
-15	71	3.13086
-14	71	3.00077
-13	71	2.90042
-12	71	2.8246
-11	71	2.76515

-10	71	2.73668
-9	71	2.72459
-8	71	2.73016
-7	71	2.74404
-6	71	2.75451
-5	71	2.77455
-4	71	2.80322
-3	71	2.8351
-2	71	2.86752
-1	71	2.88718
0	71	2.91518
1	71	2.93035
2	71	2.94656
3	71	2.95746
4	71	2.95927
5	71	2.96154
6	71	2.96819
7	71	2.95961
8	71	2.95592
9	71	2.94559
10	71	2.93974
11	71	2.93777
12	71	2.94117
13	71	2.94421
14	71	2.9539
15	71	2.97334
16	71	3.00578
17	71	3.05037
18	71	3.09176
19	71	3.12036
20	71	3.1953
21	71	3.24989
22	71	3.32657
23	71	3.41124
24	71	3.49786
25	71	3.59166
26	71	3.68548
27	71	3.7757
28	71	3.85574
29	71	3.92247
30	71	3.98281
31	71	4.02294
32	71	4.04642
33	71	4.03236
34	71	3.98463
35	71	3.89847
36	71	3.76119
37	71	3.57491
38	71	3.34043
39	71	3.04133
40	71	2.66015
41	71	2.22403
42	71	1.7474
43	71	1.21949
44	71	0.725781
45	71	0.292085
46	71	-0.0453896
47	71	-0.19602
48	71	-0.120134
49	71	0.143977
50	71	0.552183
51	71	1.01627
52	71	1.4571
53	71	1.82915
54	71	2.0943
55	71	2.22581
56	71	2.20412
57	71	2.00388
58	71	1.67902
59	71	1.05349
60	71	0.186553
61	71	-0.945223
62	71	-2.32425
63	71	-3.77144
64	71	-4.97028
65	71	-5.13537
66	71	-4.24498
67	71	-2.90076
68	71	-1.53326
69	71	-0.377705
70	71	0.469626
71	71	0.965814
72	71	1.12142
73	71	0.971756
74	71	0.433436
75	71	-0.523458
76	71	-1.99397
77	71	-4.19151
78	71	-7.6428
79	71	-13.3097
80	71	-15.6633
81	71	-9.32916
82	71	-5.38958
83	71	-2.96005
84	71	-1.22517
85	71	-0.119915
86	71	0.431298

87	71	0.550903
88	71	0.2284
89	71	-0.509667
90	71	-1.81799
91	71	-3.84849
92	71	-6.93147
93	71	-11.3551
94	71	-13.2542
95	71	-9.05499
96	71	-5.40687
97	71	-2.95108
98	71	-1.24886
99	71	-0.0949908
100	71	0.529874
101	71	0.779409
102	71	0.660915
103	71	0.194419
104	71	-0.635346
105	71	-1.81429
106	71	-3.24896
107	71	-4.60411
108	71	-5.1699
109	71	-4.48443
110	71	-3.06797
111	71	-1.59193
112	71	-0.346374
113	71	0.605502
114	71	1.23451
115	71	1.59197
116	71	1.69447
117	71	1.41488
118	71	1.06263
119	71	0.563438
120	71	-0.0349495
121	71	-0.610679
122	71	-0.984158
123	71	-0.994803
124	71	-0.621773
125	71	0.00812232
126	71	0.738016
127	71	1.45076
128	71	2.08573
129	71	2.55367
130	71	2.89419
131	71	3.08126
132	71	3.13633
133	71	3.0606
134	71	2.87412
135	71	2.59575
136	71	2.26363
137	71	1.92251
138	71	1.63385
139	71	1.44739
140	71	1.4101
141	71	1.53531
142	71	1.80609
143	71	2.18047
144	71	2.6103
145	71	3.04959
146	71	3.46495
147	71	3.83839
148	71	4.15217
149	71	4.40598
150	71	4.59317
151	71	4.72227
152	71	4.79223
153	71	4.80934
154	71	4.77893
155	71	4.70847
156	71	4.59281
157	71	4.45197
158	71	4.27848
159	71	4.09581
160	71	3.9047
161	71	3.71141
162	71	3.5175
163	71	3.3325
164	71	3.17028
165	71	3.02498
166	71	2.89324
167	71	2.79103
168	71	2.7203
169	71	2.66217
170	71	2.62038
171	71	2.59759
172	71	2.59403
173	71	2.60174
174	71	2.60527
175	71	2.62335
176	71	2.64184
177	71	2.66332
178	71	2.68124
179	71	2.69463
180	71	2.7104
-180	72	2.95452
-179	72	2.96269
-178	72	2.9763

-177	72	2.98405
-176	72	2.98902
-175	72	2.98956
-174	72	2.98509
-173	72	2.97604
-172	72	2.97289
-171	72	2.95731
-170	72	2.92367
-169	72	2.89755
-168	72	2.88589
-167	72	2.81215
-166	72	2.83489
-165	72	2.82681
-164	72	2.81722
-163	72	2.82005
-162	72	2.83397
-161	72	2.85473
-160	72	2.87014
-159	72	2.92025
-158	72	2.97427
-157	72	3.04095
-156	72	3.09512
-155	72	3.1797
-154	72	3.26842
-153	72	3.35827
-152	72	3.43588
-151	72	3.52301
-150	72	3.60238
-149	72	3.66846
-148	72	3.71547
-147	72	3.74537
-146	72	3.74754
-145	72	3.70897
-144	72	3.62053
-143	72	3.47472
-142	72	3.29124
-141	72	3.02601
-140	72	2.71321
-139	72	2.3397
-138	72	1.90835
-137	72	1.42432
-136	72	0.906249
-135	72	0.407705
-134	72	-0.00760981
-133	72	-0.330236
-132	72	-0.42333
-131	72	-0.29068
-130	72	-0.00664745
-129	72	0.393022
-128	72	0.833776
-127	72	1.23771
-126	72	1.55974
-125	72	1.79791
-124	72	1.83919
-123	72	1.70245
-122	72	1.36665
-121	72	0.81655
-120	72	0.0393092
-119	72	-0.993189
-118	72	-2.27908
-117	72	-3.70707
-116	72	-4.9191
-115	72	-5.32017
-114	72	-4.68471
-113	72	-3.37473
-112	72	-2.01073
-111	72	-0.8763
-110	72	-0.0459035
-109	72	0.462123
-108	72	0.678007
-107	72	0.54134
-106	72	0.0473311
-105	72	-0.847823
-104	72	-2.27557
-103	72	-4.42938
-102	72	-7.69928
-101	72	-12.8406
-100	72	-15.6143
-99	72	-9.95581
-98	72	-5.84544
-97	72	-3.54917
-96	72	-1.7861
-95	72	-0.699435
-94	72	-0.10128
-93	72	0.0397327
-92	72	-0.266441
-91	72	-1.05783
-90	72	-2.3965
-89	72	-4.45388
-88	72	-7.59956
-87	72	-12.2151
-86	72	-13.9301
-85	72	-9.49221
-84	72	-5.75229
-83	72	-3.27724
-82	72	-1.62713
-81	72	-0.542622

-80	72	0.0374191
-79	72	0.223912
-78	72	0.0464202
-77	72	-0.504891
-76	72	-1.44488
-75	72	-2.6765
-74	72	-4.18169
-73	72	-5.39075
-72	72	-5.66378
-71	72	-4.6512
-70	72	-3.08986
-69	72	-1.61239
-68	72	-0.428956
-67	72	0.430488
-66	72	0.98161
-65	72	1.23389
-64	72	1.23743
-63	72	0.997057
-62	72	0.542198
-61	72	-0.0784594
-60	72	-0.763138
-59	72	-1.35384
-58	72	-1.64267
-57	72	-1.57805
-56	72	-1.1041
-55	72	-0.29856
-54	72	0.560016
-53	72	1.35389
-52	72	2.02575
-51	72	2.54582
-50	72	2.8989
-49	72	3.08209
-48	72	3.16338
-47	72	3.06046
-46	72	2.84007
-45	72	2.53041
-44	72	2.15804
-43	72	1.76535
-42	72	1.42768
-41	72	1.19845
-40	72	1.14733
-39	72	1.28471
-38	72	1.58847
-37	72	2.00483
-36	72	2.47365
-35	72	2.9497
-34	72	3.39457
-33	72	3.79063
-32	72	4.1261
-31	72	4.39415
-30	72	4.59077
-29	72	4.72259
-28	72	4.79117
-27	72	4.81036
-26	72	4.77142
-25	72	4.69618
-24	72	4.57711
-23	72	4.44052
-22	72	4.27295
-21	72	4.08933
-20	72	3.90061
-19	72	3.71232
-18	72	3.53111
-17	72	3.35894
-16	72	3.18705
-15	72	3.08671
-14	72	2.98292
-13	72	2.90584
-12	72	2.85222
-11	72	2.8189
-10	72	2.81698
-9	72	2.82524
-8	72	2.84693
-7	72	2.88515
-6	72	2.92203
-5	72	2.95713
-4	72	2.99841
-3	72	3.04407
-2	72	3.07814
-1	72	3.11934
0	72	3.13817
1	72	3.1551
2	72	3.17228
3	72	3.17933
4	72	3.18666
5	72	3.19061
6	72	3.17845
7	72	3.1722
8	72	3.15992
9	72	3.14244
10	72	3.12247
11	72	3.10456
12	72	3.09068
13	72	3.07888
14	72	3.06963
15	72	3.06211
16	72	3.05706

17	72	3.07053
18	72	3.09582
19	72	3.09692
20	72	3.14056
21	72	3.16941
22	72	3.2237
23	72	3.28558
24	72	3.35511
25	72	3.43125
26	72	3.51043
27	72	3.59337
28	72	3.67567
29	72	3.74114
30	72	3.82893
31	72	3.89386
32	72	3.93878
33	72	3.96108
34	72	3.95051
35	72	3.90181
36	72	3.80825
37	72	3.65981
38	72	3.45161
39	72	3.19807
40	72	2.87085
41	72	2.47259
42	72	2.03725
43	72	1.54009
44	72	1.02689
45	72	0.532414
46	72	0.111598
47	72	-0.136765
48	72	-0.192346
49	72	-0.0328126
50	72	0.30096
51	72	0.725662
52	72	1.17463
53	72	1.5742
54	72	1.8843
55	72	2.06872
56	72	2.10294
57	72	1.96423
58	72	1.63234
59	72	1.08233
60	72	0.350504
61	72	-0.716063
62	72	-2.04143
63	72	-3.52529
64	72	-4.84034
65	72	-5.32824
66	72	-4.58059
67	72	-3.25971
68	72	-1.87948
69	72	-0.639755
70	72	0.253542
71	72	0.82156
72	72	1.04591
73	72	0.931438
74	72	0.458267
75	72	-0.433871
76	72	-1.83131
77	72	-3.94767
78	72	-7.21882
79	72	-12.5626
80	72	-16.3038
81	72	-9.99075
82	72	-5.68117
83	72	-3.20838
84	72	-1.40286
85	72	-0.286111
86	72	0.345252
87	72	0.516931
88	72	0.20731
89	72	-0.521508
90	72	-1.80953
91	72	-3.78777
92	72	-6.79095
93	72	-11.0155
94	72	-13.3954
95	72	-9.21427
96	72	-5.54447
97	72	-3.06434
98	72	-1.34306
99	72	-0.194503
100	72	0.460076
101	72	0.706565
102	72	0.578033
103	72	0.0926475
104	72	-0.751242
105	72	-1.93037
106	72	-3.35149
107	72	-4.6731
108	72	-5.19736
109	72	-4.50965
110	72	-3.08749
111	72	-1.55936
112	72	-0.327741
113	72	0.568074

114	72	1.16663
115	72	1.4142
116	72	1.42084
117	72	1.27339
118	72	0.904354
119	72	0.36878
120	72	-0.242435
121	72	-0.794537
122	72	-1.10261
123	72	-1.02807
124	72	-0.581938
125	72	0.101017
126	72	0.853901
127	72	1.56125
128	72	2.16165
129	72	2.61027
130	72	2.90163
131	72	3.06562
132	72	3.08522
133	72	2.97262
134	72	2.74962
135	72	2.44341
136	72	2.09668
137	72	1.76291
138	72	1.5054
139	72	1.37084
140	72	1.40128
141	72	1.59309
142	72	1.92335
143	72	2.33695
144	72	2.78441
145	72	3.22658
146	72	3.63198
147	72	3.98746
148	72	4.28069
149	72	4.50867
150	72	4.67204
151	72	4.7764
152	72	4.81957
153	72	4.81462
154	72	4.75467
155	72	4.65553
156	72	4.51536
157	72	4.35501
158	72	4.16915
159	72	3.974
160	72	3.77732
161	72	3.58322
162	72	3.39533
163	72	3.22029
164	72	3.07271
165	72	2.95371
166	72	2.85768
167	72	2.78826
168	72	2.74496
169	72	2.71167
170	72	2.70066
171	72	2.70267
172	72	2.72329
173	72	2.75204
174	72	2.78094
175	72	2.81354
176	72	2.84784
177	72	2.88226
178	72	2.91253
179	72	2.93399
180	72	2.95452
-180	73	3.2156
-179	73	3.23575
-178	73	3.24921
-177	73	3.25633
-176	73	3.26241
-175	73	3.26267
-174	73	3.25754
-173	73	3.24397
-172	73	3.23032
-171	73	3.21031
-170	73	3.16767
-169	73	3.12559
-168	73	3.07559
-167	73	3.07664
-166	73	3.02091
-165	73	2.99459
-164	73	2.96574
-163	73	2.94874
-162	73	2.93994
-161	73	2.93683
-160	73	2.93786
-159	73	2.96961
-158	73	2.97485
-157	73	2.98176
-156	73	3.0173
-155	73	3.0835
-154	73	3.14617
-153	73	3.21891
-152	73	3.29122
-151	73	3.37204

-150	73	3.44714
-149	73	3.52025
-148	73	3.58503
-147	73	3.63147
-146	73	3.64744
-145	73	3.63057
-144	73	3.57557
-143	73	3.48906
-142	73	3.359
-141	73	3.16277
-140	73	2.90522
-139	73	2.57391
-138	73	2.17579
-137	73	1.71173
-136	73	1.2036
-135	73	0.682524
-134	73	0.189817
-133	73	-0.219607
-132	73	-0.454363
-131	73	-0.470061
-130	73	-0.230486
-129	73	0.135517
-128	73	0.573288
-127	73	1.00195
-126	73	1.36445
-125	73	1.60798
-124	73	1.71157
-123	73	1.66422
-122	73	1.38382
-121	73	0.889866
-120	73	0.167342
-119	73	-0.806105
-118	73	-2.05084
-117	73	-3.49739
-116	73	-4.85945
-115	73	-5.52244
-114	73	-5.04039
-113	73	-3.81671
-112	73	-2.40112
-111	73	-1.19022
-110	73	-0.279395
-109	73	0.295558
-108	73	0.546698
-107	73	0.490305
-106	73	0.0564137
-105	73	-0.809343
-104	73	-2.15017
-103	73	-4.19447
-102	73	-7.30407
-101	73	-12.1886
-100	73	-15.9712
-99	73	-10.5558
-98	73	-6.23726
-97	73	-3.74905
-96	73	-1.97467
-95	73	-0.835779
-94	73	-0.173314
-93	73	-0.0167272
-92	73	-0.305005
-91	73	-1.08219
-90	73	-2.39797
-89	73	-4.4355
-88	73	-7.54129
-87	73	-12.1117
-86	73	-14.0037
-85	73	-9.62522
-84	73	-5.94576
-83	73	-3.48536
-82	73	-1.80234
-81	73	-0.665086
-80	73	-0.0420034
-79	73	0.155019
-78	73	-0.045356
-77	73	-0.640635
-76	73	-1.59027
-75	73	-2.90554
-74	73	-4.35175
-73	73	-5.60318
-72	73	-5.84831
-71	73	-4.77697
-70	73	-3.15747
-69	73	-1.66058
-68	73	-0.47615
-67	73	0.368417
-66	73	0.869266
-65	73	1.12739
-64	73	1.10348
-63	73	0.838997
-62	73	0.367312
-61	73	-0.263796
-60	73	-0.938
-59	73	-1.50018
-58	73	-1.79405
-57	73	-1.6177
-56	73	-0.983575
-55	73	-0.127664
-54	73	0.746052

-53	73	1.52772
-52	73	2.18184
-51	73	2.66844
-50	73	3.00395
-49	73	3.13855
-48	73	3.11139
-47	73	2.95852
-46	73	2.71129
-45	73	2.37332
-44	73	1.96766
-43	73	1.57955
-42	73	1.27072
-41	73	1.10128
-40	73	1.12664
-39	73	1.33918
-38	73	1.70113
-37	73	2.15349
-36	73	2.6404
-35	73	3.12044
-34	73	3.56218
-33	73	3.94477
-32	73	4.25611
-31	73	4.50235
-30	73	4.6758
-29	73	4.78742
-28	73	4.83528
-27	73	4.8305
-26	73	4.77047
-25	73	4.68361
-24	73	4.54458
-23	73	4.38938
-22	73	4.20724
-21	73	4.01605
-20	73	3.82262
-19	73	3.63557
-18	73	3.4592
-17	73	3.30119
-16	73	3.14217
-15	73	3.07209
-14	73	3.00259
-13	73	2.95618
-12	73	2.92589
-11	73	2.91516
-10	73	2.94039
-9	73	2.96668
-8	73	3.00812
-7	73	3.05461
-6	73	3.10502
-5	73	3.15403
-4	73	3.20186
-3	73	3.25686
-2	73	3.29612
-1	73	3.34294
0	73	3.37584
1	73	3.40199
2	73	3.41973
3	73	3.42515
4	73	3.43688
5	73	3.42901
6	73	3.42311
7	73	3.41184
8	73	3.39569
9	73	3.37499
10	73	3.34913
11	73	3.32233
12	73	3.29511
13	73	3.27075
14	73	3.24705
15	73	3.21952
16	73	3.18877
17	73	3.17669
18	73	3.1792
19	73	3.16832
20	73	3.17304
21	73	3.17614
22	73	3.20428
23	73	3.23206
24	73	3.27773
25	73	3.33416
26	73	3.39347
27	73	3.46083
28	73	3.53429
29	73	3.59903
30	73	3.69331
31	73	3.76861
32	73	3.82604
33	73	3.87034
34	73	3.89177
35	73	3.87217
36	73	3.79986
37	73	3.6991
38	73	3.54763
39	73	3.3315
40	73	3.05782
41	73	2.70205
42	73	2.28621
43	73	1.81035

44	73	1.31212
45	73	0.802383
46	73	0.342475
47	73	-0.00423867
48	73	-0.175518
49	73	-0.120714
50	73	0.128359
51	73	0.508936
52	73	0.9423
53	73	1.35892
54	73	1.70178
55	73	1.92815
56	73	2.01172
57	73	1.9277
58	73	1.65407
59	73	1.16963
60	73	0.44601
61	73	-0.507926
62	73	-1.76903
63	73	-3.25169
64	73	-4.67704
65	73	-5.43019
66	73	-4.90299
67	73	-3.66208
68	73	-2.22931
69	73	-0.992256
70	73	0.00225956
71	73	0.655984
72	73	0.936331
73	73	0.884478
74	73	0.481266
75	73	-0.362851
76	73	-1.6929
77	73	-3.71043
78	73	-6.81348
79	73	-11.8774
80	73	-16.8754
81	73	-10.7019
82	73	-6.08818
83	73	-3.49483
84	73	-1.58768
85	73	-0.416373
86	73	0.264138
87	73	0.458715
88	73	0.197733
89	73	-0.514305
90	73	-1.76735
91	73	-3.71732
92	73	-6.67948
93	73	-11.0242
94	73	-13.3789
95	73	-9.39532
96	73	-5.69942
97	73	-3.1767
98	73	-1.42575
99	73	-0.26599
100	73	0.370909
101	73	0.625929
102	73	0.490494
103	73	-0.00598312
104	73	-0.866266
105	73	-2.07851
106	73	-3.53688
107	73	-4.85624
108	73	-5.33879
109	73	-4.52917
110	73	-3.05116
111	73	-1.56836
112	73	-0.375144
113	73	0.513789
114	73	1.03374
115	73	1.33383
116	73	1.35449
117	73	1.14969
118	73	0.731288
119	73	0.168522
120	73	-0.439293
121	73	-0.941138
122	73	-1.16087
123	73	-0.992214
124	73	-0.474751
125	73	0.243568
126	73	0.99794
127	73	1.68761
128	73	2.25262
129	73	2.67735
130	73	2.93215
131	73	3.0524
132	73	3.02576
133	73	2.87055
134	73	2.60571
135	73	2.27467
136	73	1.93152
137	73	1.62118
138	73	1.39956
139	73	1.32494
140	73	1.42484

141	73	1.68317
142	73	2.06403
143	73	2.5142
144	73	2.97805
145	73	3.42
146	73	3.81634
147	73	4.15388
148	73	4.42415
149	73	4.63029
150	73	4.76534
151	73	4.83945
152	73	4.85065
153	73	4.81449
154	73	4.73174
155	73	4.60955
156	73	4.45282
157	73	4.27761
158	73	4.08017
159	73	3.87853
160	73	3.68809
161	73	3.49001
162	73	3.31038
163	73	3.15023
164	73	3.02179
165	73	2.93184
166	73	2.86761
167	73	2.83106
168	73	2.80854
169	73	2.79746
170	73	2.81343
171	73	2.84401
172	73	2.88559
173	73	2.93109
174	73	2.98107
175	73	3.02395
176	73	3.07006
177	73	3.11308
178	73	3.14927
179	73	3.18403
180	73	3.2156
-180	74	3.44041
-179	74	3.4702
-178	74	3.4889
-177	74	3.49985
-176	74	3.50192
-175	74	3.50156
-174	74	3.49616
-173	74	3.4858
-172	74	3.46712
-171	74	3.44498
-170	74	3.40643
-169	74	3.36957
-168	74	3.34956
-167	74	3.28009
-166	74	3.2277
-165	74	3.17583
-164	74	3.12332
-163	74	3.08643
-162	74	3.05858
-161	74	3.04325
-160	74	3.03329
-159	74	3.03143
-158	74	3.07996
-157	74	3.04393
-156	74	3.04941
-155	74	3.09675
-154	74	3.12146
-153	74	3.17113
-152	74	3.22334
-151	74	3.2839
-150	74	3.34041
-149	74	3.39924
-148	74	3.45526
-147	74	3.51056
-146	74	3.55192
-145	74	3.57448
-144	74	3.56173
-143	74	3.51539
-142	74	3.40914
-141	74	3.24885
-140	74	3.03083
-139	74	2.7496
-138	74	2.40268
-137	74	1.98756
-136	74	1.51575
-135	74	1.01021
-134	74	0.503347
-133	74	0.0537567
-132	74	-0.26889
-131	74	-0.398919
-130	74	-0.296559
-129	74	-0.0246851
-128	74	0.397332
-127	74	0.810618
-126	74	1.18496
-125	74	1.46421
-124	74	1.61812

-123	74	1.61213
-122	74	1.41457
-121	74	0.997289
-120	74	0.345829
-119	74	-0.552252
-118	74	-1.72239
-117	74	-3.13969
-116	74	-4.59387
-115	74	-5.5381
-114	74	-5.37921
-113	74	-4.30272
-112	74	-2.87336
-111	74	-1.59265
-110	74	-0.627207
-109	74	0.0323377
-108	74	0.353146
-107	74	0.305676
-106	74	-0.069596
-105	74	-0.810474
-104	74	-2.10002
-103	74	-4.0193
-102	74	-7.00102
-101	74	-11.6763
-100	74	-16.1007
-99	74	-11.1039
-98	74	-6.60942
-97	74	-3.95497
-96	74	-2.13807
-95	74	-1.01509
-94	74	-0.313202
-93	74	-0.09731
-92	74	-0.322499
-91	74	-1.05406
-90	74	-2.33608
-89	74	-4.3326
-88	74	-7.46602
-87	74	-11.8048
-86	74	-14.1656
-85	74	-9.95276
-84	74	-6.1645
-83	74	-3.66139
-82	74	-1.95213
-81	74	-0.821589
-80	74	-0.207502
-79	74	0.00465488
-78	74	-0.147849
-77	74	-0.733943
-76	74	-1.66255
-75	74	-2.94739
-74	74	-4.46856
-73	74	-5.7434
-72	74	-5.83028
-71	74	-4.69454
-70	74	-3.12171
-69	74	-1.66491
-68	74	-0.562329
-67	74	0.280404
-66	74	0.817754
-65	74	1.04295
-64	74	0.99855
-63	74	0.716016
-62	74	0.224386
-61	74	-0.395676
-60	74	-1.07458
-59	74	-1.60491
-58	74	-1.80576
-57	74	-1.50676
-56	74	-0.797389
-55	74	0.0560703
-54	74	0.931521
-53	74	1.69206
-52	74	2.29593
-51	74	2.73078
-50	74	2.99008
-49	74	3.10319
-48	74	3.0567
-47	74	2.86878
-46	74	2.57238
-45	74	2.20373
-44	74	1.78605
-43	74	1.4127
-42	74	1.14458
-41	74	1.02116
-40	74	1.1089
-39	74	1.39439
-38	74	1.81584
-37	74	2.31473
-36	74	2.82572
-35	74	3.31053
-34	74	3.74626
-33	74	4.11466
-32	74	4.40755
-31	74	4.62921
-30	74	4.77932
-29	74	4.87
-28	74	4.89716
-27	74	4.86915

-26	74	4.78574
-25	74	4.68004
-24	74	4.51653
-23	74	4.34178
-22	74	4.1466
-21	74	3.95214
-20	74	3.75524
-19	74	3.57041
-18	74	3.40107
-17	74	3.25895
-16	74	3.12341
-15	74	3.06249
-14	74	3.01569
-13	74	2.98695
-12	74	2.98116
-11	74	2.99065
-10	74	3.02339
-9	74	3.07883
-8	74	3.13153
-7	74	3.18884
-6	74	3.25494
-5	74	3.32216
-4	74	3.38516
-3	74	3.44494
-2	74	3.50845
-1	74	3.55332
0	74	3.59104
1	74	3.62919
2	74	3.65331
3	74	3.66636
4	74	3.67033
5	74	3.66215
6	74	3.66089
7	74	3.64343
8	74	3.62384
9	74	3.59749
10	74	3.56862
11	74	3.53621
12	74	3.50337
13	74	3.47239
14	74	3.44021
15	74	3.39971
16	74	3.35473
17	74	3.32536
18	74	3.30713
19	74	3.29235
20	74	3.26489
21	74	3.25136
22	74	3.25471
23	74	3.25341
24	74	3.27095
25	74	3.30298
26	74	3.34147
27	74	3.3933
28	74	3.45592
29	74	3.51645
30	74	3.59445
31	74	3.6721
32	74	3.73578
33	74	3.78642
34	74	3.81792
35	74	3.82678
36	74	3.79678
37	74	3.72956
38	74	3.60536
39	74	3.41614
40	74	3.18054
41	74	2.87196
42	74	2.50066
43	74	2.06081
44	74	1.57326
45	74	1.06135
46	74	0.562712
47	74	0.152277
48	74	-0.110722
49	74	-0.153078
50	74	0.00837606
51	74	0.335233
52	74	0.749526
53	74	1.17231
54	74	1.53909
55	74	1.80568
56	74	1.93488
57	74	1.90143
58	74	1.68084
59	74	1.25506
60	74	0.599202
61	74	-0.303381
62	74	-1.47914
63	74	-2.9201
64	74	-4.45615
65	74	-5.47205
66	74	-5.28174
67	74	-4.03984
68	74	-2.60156
69	74	-1.30263
70	74	-0.250226

71	74	0.458994
72	74	0.830437
73	74	0.835592
74	74	0.478004
75	74	-0.304213
76	74	-1.56359
77	74	-3.4914
78	74	-6.4121
79	74	-11.2552
80	74	-17.2364
81	74	-11.498
82	74	-6.625
83	74	-3.7241
84	74	-1.81673
85	74	-0.601196
86	74	0.124312
87	74	0.379087
88	74	0.176324
89	74	-0.519077
90	74	-1.74789
91	74	-3.67267
92	74	-6.59633
93	74	-10.8071
94	74	-13.2761
95	74	-9.58506
96	74	-5.84291
97	74	-3.28562
98	74	-1.52138
99	74	-0.357395
100	74	0.2907
101	74	0.53204
102	74	0.386391
103	74	-0.131065
104	74	-1.0261
105	74	-2.26446
106	74	-3.7373
107	74	-5.10038
108	74	-5.47718
109	74	-4.56685
110	74	-3.01197
111	74	-1.56299
112	74	-0.387164
113	74	0.443004
114	74	0.9804
115	74	1.23186
116	74	1.24581
117	74	1.02073
118	74	0.601845
119	74	0.0451859
120	74	-0.550097
121	74	-1.01745
122	74	-1.17323
123	74	-0.932741
124	74	-0.352971
125	74	0.386364
126	74	1.14008
127	74	1.80444
128	74	2.33755
129	74	2.71642
130	74	2.94653
131	74	3.02122
132	74	2.9586
133	74	2.77363
134	74	2.49227
135	74	2.15284
136	74	1.80537
137	74	1.51432
138	74	1.32547
139	74	1.3113
140	74	1.48702
141	74	1.81487
142	74	2.23649
143	74	2.70436
144	74	3.17563
145	74	3.61376
146	74	3.99711
147	74	4.31579
148	74	4.56217
149	74	4.73746
150	74	4.84371
151	74	4.89111
152	74	4.87986
153	74	4.82185
154	74	4.71846
155	74	4.57774
156	74	4.40464
157	74	4.21688
158	74	4.01105
159	74	3.80914
160	74	3.60906
161	74	3.42418
162	74	3.25478
163	74	3.11686
164	74	3.00678
165	74	2.93975
166	74	2.90272
167	74	2.89038

168	74	2.88897
169	74	2.90053
170	74	2.93247
171	74	2.98549
172	74	3.04245
173	74	3.09996
174	74	3.16436
175	74	3.22301
176	74	3.27555
177	74	3.3282
178	74	3.36879
179	74	3.40501
180	74	3.44041
-180	75	3.60017
-179	75	3.63491
-178	75	3.65636
-177	75	3.67056
-176	75	3.67483
-175	75	3.67692
-174	75	3.67715
-173	75	3.67106
-172	75	3.65422
-171	75	3.62894
-170	75	3.59705
-169	75	3.583
-168	75	3.53389
-167	75	3.49591
-166	75	3.46905
-165	75	3.41573
-164	75	3.36749
-163	75	3.32633
-162	75	3.28249
-161	75	3.23867
-160	75	3.19791
-159	75	3.16423
-158	75	3.13164
-157	75	3.17277
-156	75	3.10437
-155	75	3.12277
-154	75	3.13529
-153	75	3.16577
-152	75	3.1981
-151	75	3.24342
-150	75	3.28951
-149	75	3.34595
-148	75	3.40024
-147	75	3.45519
-146	75	3.49691
-145	75	3.52245
-144	75	3.52381
-143	75	3.49992
-142	75	3.4207
-141	75	3.30208
-140	75	3.11966
-139	75	2.87678
-138	75	2.56631
-137	75	2.18779
-136	75	1.74793
-135	75	1.26309
-134	75	0.764984
-133	75	0.287943
-132	75	-0.0949341
-131	75	-0.308547
-130	75	-0.310435
-129	75	-0.113343
-128	75	0.240496
-127	75	0.642195
-126	75	1.05024
-125	75	1.35456
-124	75	1.55187
-123	75	1.58985
-122	75	1.4448
-121	75	1.08907
-120	75	0.50619
-119	75	-0.364772
-118	75	-1.47928
-117	75	-2.86188
-116	75	-4.36906
-115	75	-5.52863
-114	75	-5.65448
-113	75	-4.68037
-112	75	-3.28358
-111	75	-1.93301
-110	75	-0.875071
-109	75	-0.158547
-108	75	0.230404
-107	75	0.245138
-106	75	-0.0790363
-105	75	-0.826999
-104	75	-1.99013
-103	75	-3.87272
-102	75	-6.75476
-101	75	-11.2333
-100	75	-16.4064
-99	75	-11.837
-98	75	-7.07024
-97	75	-4.10914

-96	75	-2.31758
-95	75	-1.10372
-94	75	-0.408145
-93	75	-0.150563
-92	75	-0.347647
-91	75	-1.03238
-90	75	-2.27275
-89	75	-4.24762
-88	75	-7.25373
-87	75	-11.6039
-86	75	-14.607
-85	75	-10.3646
-84	75	-6.43522
-83	75	-3.74027
-82	75	-1.99808
-81	75	-0.888217
-80	75	-0.295987
-79	75	-0.112627
-78	75	-0.3236
-77	75	-0.940208
-76	75	-1.89371
-75	75	-3.26114
-74	75	-4.73479
-73	75	-5.89938
-72	75	-5.86245
-71	75	-4.67377
-70	75	-3.1795
-69	75	-1.70281
-68	75	-0.532673
-67	75	0.302292
-66	75	0.789571
-65	75	0.984857
-64	75	0.917168
-63	75	0.643663
-62	75	0.138391
-61	75	-0.45384
-60	75	-1.12434
-59	75	-1.60986
-58	75	-1.72861
-57	75	-1.36807
-56	75	-0.629104
-55	75	0.236265
-54	75	1.04723
-53	75	1.78673
-52	75	2.36386
-51	75	2.78198
-50	75	3.00662
-49	75	3.07846
-48	75	2.99903
-47	75	2.77764
-46	75	2.45081
-45	75	2.0572
-44	75	1.62207
-43	75	1.25272
-42	75	1.00771
-41	75	0.936671
-40	75	1.13204
-39	75	1.50823
-38	75	1.97183
-37	75	2.50641
-36	75	3.03065
-35	75	3.51576
-34	75	3.9344
-33	75	4.28317
-32	75	4.55426
-31	75	4.7516
-30	75	4.87519
-29	75	4.93752
-28	75	4.93523
-27	75	4.8843
-26	75	4.78356
-25	75	4.65954
-24	75	4.47956
-23	75	4.29118
-22	75	4.09237
-21	75	3.89356
-20	75	3.69462
-19	75	3.50778
-18	75	3.34112
-17	75	3.19757
-16	75	3.09036
-15	75	3.03587
-14	75	3.01183
-13	75	3.00306
-12	75	3.01892
-11	75	3.05108
-10	75	3.09784
-9	75	3.16701
-8	75	3.24075
-7	75	3.31249
-6	75	3.38837
-5	75	3.46538
-4	75	3.53964
-3	75	3.59454
-2	75	3.66846
-1	75	3.69537
0	75	3.74446

1	75	3.78429
2	75	3.80825
3	75	3.82812
4	75	3.83105
5	75	3.83686
6	75	3.83561
7	75	3.81997
8	75	3.80238
9	75	3.77704
10	75	3.74973
11	75	3.71541
12	75	3.68185
13	75	3.64776
14	75	3.61212
15	75	3.56528
16	75	3.51811
17	75	3.47941
18	75	3.44909
19	75	3.42864
20	75	3.38561
21	75	3.35791
22	75	3.34505
23	75	3.3227
24	75	3.30904
25	75	3.31827
26	75	3.34973
27	75	3.38719
28	75	3.41631
29	75	3.46872
30	75	3.53557
31	75	3.60051
32	75	3.65864
33	75	3.72169
34	75	3.76195
35	75	3.78311
36	75	3.77981
37	75	3.73579
38	75	3.6427
39	75	3.49923
40	75	3.28622
41	75	3.01388
42	75	2.68088
43	75	2.27487
44	75	1.80847
45	75	1.29982
46	75	0.79124
47	75	0.335086
48	75	-0.00383594
49	75	-0.150257
50	75	-0.0861893
51	75	0.180283
52	75	0.558688
53	75	0.982566
54	75	1.37887
55	75	1.68809
56	75	1.87239
57	75	1.8922
58	75	1.72786
59	75	1.35896
60	75	0.760671
61	75	-0.0943212
62	75	-1.22085
63	75	-2.59972
64	75	-4.08425
65	75	-5.34717
66	75	-5.55726
67	75	-4.45977
68	75	-2.99362
69	75	-1.62504
70	75	-0.550091
71	75	0.249065
72	75	0.703333
73	75	0.775842
74	75	0.486613
75	75	-0.225732
76	75	-1.42668
77	75	-3.25953
78	75	-6.06012
79	75	-10.7168
80	75	-17.351
81	75	-12.2815
82	75	-7.047
83	75	-3.93033
84	75	-2.03245
85	75	-0.750128
86	75	0.0127168
87	75	0.29865
88	75	0.123878
89	75	-0.541985
90	75	-1.74229
91	75	-3.63211
92	75	-6.51192
93	75	-10.4337
94	75	-13.3172
95	75	-9.90724
96	75	-6.07567
97	75	-3.42088

98	75	-1.61136
99	75	-0.462645
100	75	0.18883
101	75	0.41678
102	75	0.252632
103	75	-0.28471
104	75	-1.19283
105	75	-2.48916
106	75	-4.00859
107	75	-5.30895
108	75	-5.48036
109	75	-4.4941
110	75	-2.97718
111	75	-1.55283
112	75	-0.392049
113	75	0.452998
114	75	0.966409
115	75	1.20723
116	75	1.18482
117	75	0.932378
118	75	0.493761
119	75	-0.0630642
120	75	-0.628406
121	75	-1.039
122	75	-1.12822
123	75	-0.837079
124	75	-0.243379
125	75	0.491309
126	75	1.23414
127	75	1.88397
128	75	2.39958
129	75	2.73474
130	75	2.94604
131	75	2.98505
132	75	2.88805
133	75	2.67176
134	75	2.36959
135	75	2.02223
136	75	1.6841
137	75	1.38443
138	75	1.28222
139	75	1.32863
140	75	1.55453
141	75	1.92775
142	75	2.39029
143	75	2.88378
144	75	3.36576
145	75	3.8066
146	75	4.17336
147	75	4.46639
148	75	4.68513
149	75	4.84187
150	75	4.92723
151	75	4.9508
152	75	4.91277
153	75	4.83098
154	75	4.70372
155	75	4.54419
156	75	4.35506
157	75	4.15265
158	75	3.94076
159	75	3.73385
160	75	3.53473
161	75	3.3519
162	75	3.19265
163	75	3.06681
164	75	2.97129
165	75	2.92438
166	75	2.91184
167	75	2.91177
168	75	2.92803
169	75	2.95816
170	75	3.00911
171	75	3.07679
172	75	3.14574
173	75	3.21194
174	75	3.28208
175	75	3.35177
176	75	3.41132
177	75	3.46866
178	75	3.5189
179	75	3.56009
180	75	3.60017
-180	76	3.67978
-179	76	3.732
-178	76	3.76675
-177	76	3.78987
-176	76	3.79453
-175	76	3.7933
-174	76	3.79162
-173	76	3.78773
-172	76	3.77949
-171	76	3.7584
-170	76	3.73318
-169	76	3.76719
-168	76	3.69839
-167	76	3.66017

-166	76	3.62903
-165	76	3.57188
-164	76	3.52142
-163	76	3.48154
-162	76	3.44015
-161	76	3.39867
-160	76	3.35767
-159	76	3.32025
-158	76	3.28089
-157	76	3.2365
-156	76	3.23132
-155	76	3.18014
-154	76	3.17253
-153	76	3.16589
-152	76	3.18523
-151	76	3.21679
-150	76	3.25523
-149	76	3.30678
-148	76	3.35911
-147	76	3.41313
-146	76	3.45945
-145	76	3.49617
-144	76	3.50815
-143	76	3.49349
-142	76	3.43207
-141	76	3.33525
-140	76	3.18228
-139	76	2.9763
-138	76	2.70191
-137	76	2.35549
-136	76	1.94096
-135	76	1.47291
-134	76	0.975992
-133	76	0.485006
-132	76	0.0610824
-131	76	-0.216612
-130	76	-0.299272
-129	76	-0.173788
-128	76	0.125618
-127	76	0.517867
-126	76	0.932873
-125	76	1.27856
-124	76	1.51555
-123	76	1.60012
-122	76	1.50781
-121	76	1.21055
-120	76	0.68261
-119	76	-0.0863406
-118	76	-1.1162
-117	76	-2.49845
-116	76	-4.00506
-115	76	-5.31294
-114	76	-5.73434
-113	76	-4.98619
-112	76	-3.65233
-111	76	-2.26924
-110	76	-1.1536
-109	76	-0.37929
-108	76	0.0745149
-107	76	0.154184
-106	76	-0.118652
-105	76	-0.809775
-104	76	-1.98847
-103	76	-3.7337
-102	76	-6.50843
-101	76	-10.9436
-100	76	-16.4163
-99	76	-12.5142
-98	76	-7.44637
-97	76	-4.35923
-96	76	-2.46085
-95	76	-1.20411
-94	76	-0.467627
-93	76	-0.227379
-92	76	-0.415795
-91	76	-1.0837
-90	76	-2.30865
-89	76	-4.24937
-88	76	-7.28718
-87	76	-11.6033
-86	76	-14.9414
-85	76	-10.438
-84	76	-6.55356
-83	76	-3.90737
-82	76	-2.13299
-81	76	-1.03205
-80	76	-0.420309
-79	76	-0.253641
-78	76	-0.454172
-77	76	-1.06704
-76	76	-2.04624
-75	76	-3.38893
-74	76	-4.89549
-73	76	-6.01449
-72	76	-5.94523
-71	76	-4.69607
-70	76	-3.0683

-69	76	-1.61403
-68	76	-0.48075
-67	76	0.318417
-66	76	0.747978
-65	76	0.927373
-64	76	0.867357
-63	76	0.641687
-62	76	0.134741
-61	76	-0.513345
-60	76	-1.17486
-59	76	-1.62293
-58	76	-1.67921
-57	76	-1.24385
-56	76	-0.563135
-55	76	0.302296
-54	76	1.14167
-53	76	1.86039
-52	76	2.41309
-51	76	2.79215
-50	76	2.98939
-49	76	3.01713
-48	76	2.8966
-47	76	2.64275
-46	76	2.29334
-45	76	1.88825
-44	76	1.4662
-43	76	1.13411
-42	76	0.95426
-41	76	0.97863
-40	76	1.22321
-39	76	1.64686
-38	76	2.14673
-37	76	2.69391
-36	76	3.21705
-35	76	3.68395
-34	76	4.09704
-33	76	4.42632
-32	76	4.67735
-31	76	4.85195
-30	76	4.95234
-29	76	4.98917
-28	76	4.96248
-27	76	4.88433
-26	76	4.76287
-25	76	4.61033
-24	76	4.41031
-23	76	4.19934
-22	76	3.98046
-21	76	3.76334
-20	76	3.55914
-19	76	3.37387
-18	76	3.21547
-17	76	3.07463
-16	76	3.00439
-15	76	2.95235
-14	76	2.94158
-13	76	2.95023
-12	76	2.98062
-11	76	3.02254
-10	76	3.0816
-9	76	3.16019
-8	76	3.24339
-7	76	3.33136
-6	76	3.41838
-5	76	3.51004
-4	76	3.58963
-3	76	3.66184
-2	76	3.72433
-1	76	3.76604
0	76	3.8143
1	76	3.85911
2	76	3.88493
3	76	3.90922
4	76	3.91616
5	76	3.92934
6	76	3.92501
7	76	3.91854
8	76	3.90493
9	76	3.88475
10	76	3.8621
11	76	3.83443
12	76	3.80706
13	76	3.77708
14	76	3.74387
15	76	3.69726
16	76	3.65172
17	76	3.60729
18	76	3.57164
19	76	3.55009
20	76	3.50485
21	76	3.46261
22	76	3.43607
23	76	3.41121
24	76	3.38917
25	76	3.37937
26	76	3.37929
27	76	3.39269

28	76	3.41391
29	76	3.46591
30	76	3.50808
31	76	3.55878
32	76	3.61156
33	76	3.66471
34	76	3.71026
35	76	3.74969
36	76	3.76266
37	76	3.74377
38	76	3.6808
39	76	3.57066
40	76	3.40307
41	76	3.16351
42	76	2.86477
43	76	2.48731
44	76	2.03752
45	76	1.54248
46	76	1.02735
47	76	0.543078
48	76	0.146704
49	76	-0.0754634
50	76	-0.0887621
51	76	0.105521
52	76	0.45303
53	76	0.877515
54	76	1.28949
55	76	1.62362
56	76	1.84016
57	76	1.90593
58	76	1.7917
59	76	1.47474
60	76	0.931878
61	76	0.135047
62	76	-0.928533
63	76	-2.25952
64	76	-3.75923
65	76	-5.06173
66	76	-5.6221
67	76	-4.79964
68	76	-3.3534
69	76	-1.95978
70	76	-0.814578
71	76	-0.0186096
72	76	0.500029
73	76	0.700501
74	76	0.463715
75	76	-0.167661
76	76	-1.31219
77	76	-3.06723
78	76	-5.73738
79	76	-10.1637
80	76	-17.1411
81	76	-13.2314
82	76	-7.58627
83	76	-4.25528
84	76	-2.25041
85	76	-0.901859
86	76	-0.103228
87	76	0.221415
88	76	0.0781249
89	76	-0.553719
90	76	-1.73779
91	76	-3.59006
92	76	-6.44344
93	76	-10.3371
94	76	-13.4593
95	76	-10.0238
96	76	-6.24533
97	76	-3.55058
98	76	-1.73127
99	76	-0.584203
100	76	0.0637939
101	76	0.294089
102	76	0.119106
103	76	-0.438826
104	76	-1.38463
105	76	-2.69613
106	76	-4.20025
107	76	-5.37422
108	76	-5.51789
109	76	-4.45099
110	76	-2.91442
111	76	-1.47265
112	76	-0.302735
113	76	0.488064
114	76	0.982362
115	76	1.19701
116	76	1.15668
117	76	0.89065
118	76	0.440842
119	76	-0.121496
120	76	-0.682306
121	76	-1.06043
122	76	-1.09154
123	76	-0.736811
124	76	-0.106172

125	76	0.634501
126	76	1.35893
127	76	1.97357
128	76	2.44887
129	76	2.76011
130	76	2.92443
131	76	2.93741
132	76	2.81807
133	76	2.58453
134	76	2.26918
135	76	1.91744
136	76	1.58495
137	76	1.34646
138	76	1.26768
139	76	1.37378
140	76	1.66241
141	76	2.08242
142	76	2.56941
143	76	3.06977
144	76	3.53684
145	76	3.95061
146	76	4.29971
147	76	4.57867
148	76	4.78078
149	76	4.91468
150	76	4.97636
151	76	4.97404
152	76	4.91132
153	76	4.80596
154	76	4.66303
155	76	4.48647
156	76	4.28318
157	76	4.06338
158	76	3.84022
159	76	3.62278
160	76	3.42244
161	76	3.24025
162	76	3.08789
163	76	2.97567
164	76	2.89861
165	76	2.86192
166	76	2.86338
167	76	2.87555
168	76	2.90794
169	76	2.95378
170	76	3.02007
171	76	3.09999
172	76	3.17935
173	76	3.2564
174	76	3.33143
175	76	3.40382
176	76	3.46761
177	76	3.52558
178	76	3.57804
179	76	3.6277
180	76	3.67978
-180	77	3.68931
-179	77	3.73719
-178	77	3.77122
-177	77	3.80168
-176	77	3.82177
-175	77	3.83044
-174	77	3.83359
-173	77	3.82907
-172	77	3.81895
-171	77	3.79857
-170	77	3.76518
-169	77	3.74742
-168	77	3.74468
-167	77	3.70863
-166	77	3.69119
-165	77	3.6533
-164	77	3.61449
-163	77	3.57809
-162	77	3.53777
-161	77	3.49419
-160	77	3.44708
-159	77	3.40027
-158	77	3.35609
-157	77	3.30999
-156	77	3.25548
-155	77	3.23274
-154	77	3.22804
-153	77	3.2121
-152	77	3.19875
-151	77	3.21815
-150	77	3.24198
-149	77	3.27384
-148	77	3.31196
-147	77	3.36279
-146	77	3.41421
-145	77	3.4626
-144	77	3.49567
-143	77	3.49828
-142	77	3.4674
-141	77	3.39639
-140	77	3.26921

-139	77	3.08171
-138	77	2.82672
-137	77	2.50157
-136	77	2.10758
-135	77	1.65716
-134	77	1.16775
-133	77	0.665935
-132	77	0.204633
-131	77	-0.13802
-130	77	-0.294389
-129	77	-0.231269
-128	77	0.0268692
-127	77	0.409428
-126	77	0.827614
-125	77	1.21039
-124	77	1.48827
-123	77	1.62944
-122	77	1.57434
-121	77	1.32945
-120	77	0.860333
-119	77	0.146689
-118	77	-0.824385
-117	77	-2.06871
-116	77	-3.61999
-115	77	-5.01719
-114	77	-5.69268
-113	77	-5.18372
-112	77	-3.91215
-111	77	-2.5471
-110	77	-1.38251
-109	77	-0.554626
-108	77	-0.0557359
-107	77	0.0703019
-106	77	-0.16425
-105	77	-0.799265
-104	77	-1.91587
-103	77	-3.67241
-102	77	-6.23283
-101	77	-10.4997
-100	77	-16.7736
-99	77	-13.5441
-98	77	-8.04886
-97	77	-4.7574
-96	77	-2.75267
-95	77	-1.38465
-94	77	-0.588189
-93	77	-0.275402
-92	77	-0.485773
-91	77	-1.12388
-90	77	-2.32473
-89	77	-4.22805
-88	77	-7.2234
-87	77	-11.401
-86	77	-15.1232
-85	77	-10.7895
-84	77	-6.75007
-83	77	-4.0345
-82	77	-2.22711
-81	77	-1.1025
-80	77	-0.494657
-79	77	-0.338077
-78	77	-0.549329
-77	77	-1.15365
-76	77	-2.14533
-75	77	-3.4794
-74	77	-4.99851
-73	77	-6.00395
-72	77	-5.87686
-71	77	-4.58251
-70	77	-2.97233
-69	77	-1.53864
-68	77	-0.417698
-67	77	0.362544
-66	77	0.822197
-65	77	1.03609
-64	77	0.949122
-63	77	0.618575
-62	77	0.0798762
-61	77	-0.574189
-60	77	-1.26408
-59	77	-1.70841
-58	77	-1.69624
-57	77	-1.28194
-56	77	-0.506348
-55	77	0.378978
-54	77	1.21495
-53	77	1.90784
-52	77	2.4378
-51	77	2.7656
-50	77	2.9274
-49	77	2.93231
-48	77	2.79539
-47	77	2.52952
-46	77	2.16831
-45	77	1.75052
-44	77	1.33478
-43	77	1.03683

-42	77	0.907545
-41	77	1.00093
-40	77	1.30401
-39	77	1.76729
-38	77	2.30795
-37	77	2.86466
-36	77	3.39266
-35	77	3.86328
-34	77	4.24038
-33	77	4.54116
-32	77	4.77517
-31	77	4.9194
-30	77	4.98984
-29	77	4.9972
-28	77	4.94161
-27	77	4.83675
-26	77	4.68837
-25	77	4.50947
-24	77	4.28832
-23	77	4.05905
-22	77	3.8257
-21	77	3.59775
-20	77	3.38471
-19	77	3.1943
-18	77	3.03897
-17	77	2.89956
-16	77	2.8394
-15	77	2.79522
-14	77	2.79414
-13	77	2.81664
-12	77	2.86499
-11	77	2.92769
-10	77	3.00645
-9	77	3.10489
-8	77	3.20457
-7	77	3.30289
-6	77	3.4037
-5	77	3.50127
-4	77	3.58169
-3	77	3.67969
-2	77	3.72856
-1	77	3.78588
0	77	3.83271
1	77	3.87717
2	77	3.90098
3	77	3.92174
4	77	3.93694
5	77	3.943
6	77	3.93775
7	77	3.93641
8	77	3.92502
9	77	3.91323
10	77	3.89726
11	77	3.87892
12	77	3.85992
13	77	3.83409
14	77	3.79838
15	77	3.75163
16	77	3.72009
17	77	3.6908
18	77	3.65751
19	77	3.62221
20	77	3.57912
21	77	3.53931
22	77	3.49604
23	77	3.45608
24	77	3.42685
25	77	3.41186
26	77	3.3946
27	77	3.39083
28	77	3.39665
29	77	3.42633
30	77	3.45045
31	77	3.48721
32	77	3.52769
33	77	3.57678
34	77	3.6259
35	77	3.67193
36	77	3.70312
37	77	3.70664
38	77	3.66842
39	77	3.58498
40	77	3.44621
41	77	3.2416
42	77	2.96192
43	77	2.62403
44	77	2.20241
45	77	1.73315
46	77	1.22503
47	77	0.725815
48	77	0.289407
49	77	0.000501248
50	77	-0.0862589
51	77	0.0447949
52	77	0.351094
53	77	0.755254
54	77	1.17448

55	77	1.54225
56	77	1.79753
57	77	1.9075
58	77	1.84362
59	77	1.57984
60	77	1.10233
61	77	0.372316
62	77	-0.61523
63	77	-1.91237
64	77	-3.39284
65	77	-4.79806
66	77	-5.49652
67	77	-5.01508
68	77	-3.6875
69	77	-2.30185
70	77	-1.07749
71	77	-0.216588
72	77	0.354131
73	77	0.52561
74	77	0.432389
75	77	-0.139494
76	77	-1.2073
77	77	-2.87225
78	77	-5.45529
79	77	-9.62527
80	77	-16.6817
81	77	-14.143
82	77	-8.0631
83	77	-4.59489
84	77	-2.49018
85	77	-1.05851
86	77	-0.215761
87	77	0.142675
88	77	0.0225564
89	77	-0.583948
90	77	-1.73848
91	77	-3.56622
92	77	-6.35983
93	77	-10.2948
94	77	-13.669
95	77	-10.2707
96	77	-6.40105
97	77	-3.67719
98	77	-1.85197
99	77	-0.697446
100	77	-0.0456162
101	77	0.18153
102	77	-0.00545891
103	77	-0.584681
104	77	-1.54608
105	77	-2.84374
106	77	-4.30584
107	77	-5.45323
108	77	-5.55715
109	77	-4.32356
110	77	-2.7824
111	77	-1.3087
112	77	-0.230315
113	77	0.539818
114	77	1.0095
115	77	1.2047
116	77	1.14273
117	77	0.859941
118	77	0.396765
119	77	-0.170139
120	77	-0.717352
121	77	-1.06678
122	77	-1.06532
123	77	-0.681389
124	77	-0.0316879
125	77	0.710416
126	77	1.42741
127	77	2.02735
128	77	2.47657
129	77	2.7733
130	77	2.90507
131	77	2.88876
132	77	2.73998
133	77	2.48677
134	77	2.16522
135	77	1.82338
136	77	1.52111
137	77	1.33184
138	77	1.3064
139	77	1.46837
140	77	1.7916
141	77	2.23201
142	77	2.72065
143	77	3.21517
144	77	3.67409
145	77	4.07834
146	77	4.41071
147	77	4.66995
148	77	4.85093
149	77	4.95566
150	77	4.9913
151	77	4.96782

152	77	4.88495
153	77	4.75342
154	77	4.57915
155	77	4.37327
156	77	4.14141
157	77	3.89516
158	77	3.656
159	77	3.43528
160	77	3.23527
161	77	3.05464
162	77	2.90884
163	77	2.80612
164	77	2.74312
165	77	2.71636
166	77	2.72945
167	77	2.75528
168	77	2.80118
169	77	2.8603
170	77	2.93838
171	77	3.02995
172	77	3.12295
173	77	3.21517
174	77	3.30884
175	77	3.39598
176	77	3.47876
177	77	3.54738
178	77	3.60115
179	77	3.64671
180	77	3.68931
-180	78	3.6482
-179	78	3.69315
-178	78	3.72463
-177	78	3.74968
-176	78	3.76667
-175	78	3.77823
-174	78	3.78058
-173	78	3.78004
-172	78	3.77614
-171	78	3.77365
-170	78	3.74383
-169	78	3.75626
-168	78	3.74765
-167	78	3.70984
-166	78	3.69984
-165	78	3.67233
-164	78	3.63902
-163	78	3.60193
-162	78	3.55745
-161	78	3.51238
-160	78	3.46945
-159	78	3.42401
-158	78	3.37966
-157	78	3.33676
-156	78	3.29488
-155	78	3.23108
-154	78	3.21507
-153	78	3.20864
-152	78	3.18827
-151	78	3.19366
-150	78	3.20193
-149	78	3.22742
-148	78	3.26527
-147	78	3.31338
-146	78	3.36311
-145	78	3.41297
-144	78	3.45709
-143	78	3.47465
-142	78	3.47674
-141	78	3.44025
-140	78	3.34736
-139	78	3.19121
-138	78	2.96421
-137	78	2.66444
-136	78	2.28679
-135	78	1.84777
-134	78	1.35864
-133	78	0.843025
-132	78	0.345561
-131	78	-0.0567988
-130	78	-0.289922
-129	78	-0.298083
-128	78	-0.0878685
-127	78	0.280329
-126	78	0.70712
-125	78	1.11836
-124	78	1.43952
-123	78	1.61486
-122	78	1.63212
-121	78	1.45011
-120	78	1.00614
-119	78	0.347763
-118	78	-0.564617
-117	78	-1.75167
-116	78	-3.18397
-115	78	-4.64956
-114	78	-5.57113
-113	78	-5.29682

-112	78	-4.13175
-111	78	-2.74615
-110	78	-1.55427
-109	78	-0.682373
-108	78	-0.138096
-107	78	0.0502732
-106	78	-0.133191
-105	78	-0.713537
-104	78	-1.76073
-103	78	-3.43555
-102	78	-5.9811
-101	78	-10.0237
-100	78	-16.3328
-99	78	-14.4872
-98	78	-8.69412
-97	78	-5.19357
-96	78	-2.95784
-95	78	-1.60479
-94	78	-0.774828
-93	78	-0.440142
-92	78	-0.5639
-91	78	-1.17783
-90	78	-2.30187
-89	78	-4.23372
-88	78	-7.14296
-87	78	-11.4891
-86	78	-15.2119
-85	78	-10.9592
-84	78	-6.83835
-83	78	-4.09715
-82	78	-2.30087
-81	78	-1.17457
-80	78	-0.568297
-79	78	-0.38445
-78	78	-0.605577
-77	78	-1.21064
-76	78	-2.20424
-75	78	-3.4658
-74	78	-5.01398
-73	78	-5.99173
-72	78	-5.77542
-71	78	-4.48658
-70	78	-2.90127
-69	78	-1.45697
-68	78	-0.373247
-67	78	0.364067
-66	78	0.85182
-65	78	1.01176
-64	78	0.901362
-63	78	0.574956
-62	78	0.0234723
-61	78	-0.648096
-60	78	-1.29327
-59	78	-1.72467
-58	78	-1.70824
-57	78	-1.23076
-56	78	-0.461257
-55	78	0.41221
-54	78	1.24297
-53	78	1.9354
-52	78	2.45442
-51	78	2.76614
-50	78	2.89445
-49	78	2.86685
-48	78	2.70018
-47	78	2.40878
-46	78	2.03003
-45	78	1.60601
-44	78	1.21425
-43	78	0.958486
-42	78	0.883431
-41	78	1.0345
-40	78	1.38965
-39	78	1.89076
-38	78	2.4493
-37	78	3.00089
-36	78	3.50715
-35	78	3.95167
-34	78	4.31015
-33	78	4.602
-32	78	4.80734
-31	78	4.91193
-30	78	4.96773
-29	78	4.94122
-28	78	4.86135
-27	78	4.73111
-26	78	4.55477
-25	78	4.34878
-24	78	4.1077
-23	78	3.86196
-22	78	3.61695
-21	78	3.37437
-20	78	3.15964
-19	78	2.96617
-18	78	2.8189
-17	78	2.68401
-16	78	2.64388

-15	78	2.61789
-14	78	2.63948
-13	78	2.67965
-12	78	2.74459
-11	78	2.82517
-10	78	2.91659
-9	78	3.02328
-8	78	3.13673
-7	78	3.24003
-6	78	3.34458
-5	78	3.43782
-4	78	3.52117
-3	78	3.62438
-2	78	3.66917
-1	78	3.72983
0	78	3.7843
1	78	3.83302
2	78	3.87081
3	78	3.89845
4	78	3.91977
5	78	3.92198
6	78	3.92181
7	78	3.92499
8	78	3.91879
9	78	3.90921
10	78	3.89271
11	78	3.8738
12	78	3.85873
13	78	3.83919
14	78	3.81732
15	78	3.79087
16	78	3.77517
17	78	3.74687
18	78	3.70607
19	78	3.66774
20	78	3.6348
21	78	3.59482
22	78	3.54275
23	78	3.50704
24	78	3.47247
25	78	3.44762
26	78	3.42302
27	78	3.40912
28	78	3.40303
29	78	3.42409
30	78	3.436
31	78	3.46567
32	78	3.50827
33	78	3.55822
34	78	3.61195
35	78	3.66549
36	78	3.70903
37	78	3.72379
38	78	3.7017
39	78	3.63734
40	78	3.51884
41	78	3.34461
42	78	3.0822
43	78	2.76316
44	78	2.35921
45	78	1.90527
46	78	1.39539
47	78	0.879804
48	78	0.40626
49	78	0.0616539
50	78	-0.0916849
51	78	-0.0215698
52	78	0.242443
53	78	0.628932
54	78	1.05202
55	78	1.44148
56	78	1.73512
57	78	1.87029
58	78	1.87163
59	78	1.66546
60	78	1.24181
61	78	0.574123
62	78	-0.359276
63	78	-1.57072
64	78	-3.01958
65	78	-4.48089
66	78	-5.38085
67	78	-5.16135
68	78	-3.93801
69	78	-2.56423
70	78	-1.32905
71	78	-0.418516
72	78	0.184192
73	78	0.457352
74	78	0.352373
75	78	-0.127804
76	78	-1.10801
77	78	-2.69962
78	78	-5.15273
79	78	-9.12951
80	78	-16.1391
81	78	-15.2434

82	78	-8.68623
83	78	-4.99819
84	78	-2.65903
85	78	-1.24831
86	78	-0.383678
87	78	-0.00520974
88	78	-0.0799944
89	78	-0.629217
90	78	-1.758
91	78	-3.57996
92	78	-6.24242
93	78	-10.174
94	78	-13.6278
95	78	-10.4858
96	78	-6.54953
97	78	-3.78362
98	78	-1.95206
99	78	-0.781021
100	78	-0.130325
101	78	0.0838846
102	78	-0.110415
103	78	-0.690625
104	78	-1.63808
105	78	-2.93025
106	78	-4.40969
107	78	-5.50507
108	78	-5.32667
109	78	-4.17971
110	78	-2.56279
111	78	-1.21589
112	78	-0.159345
113	78	0.587153
114	78	1.0315
115	78	1.20889
116	78	1.12593
117	78	0.824269
118	78	0.345606
119	78	-0.230751
120	78	-0.773846
121	78	-1.10518
122	78	-1.06893
123	78	-0.64886
124	78	0.0317128
125	78	0.765004
126	78	1.46393
127	78	2.04483
128	78	2.46422
129	78	2.75472
130	78	2.87211
131	78	2.84256
132	78	2.67943
133	78	2.40965
134	78	2.07036
135	78	1.71671
136	78	1.42087
137	78	1.25624
138	78	1.27365
139	78	1.48859
140	78	1.85707
141	78	2.33015
142	78	2.83782
143	78	3.33376
144	78	3.77919
145	78	4.16229
146	78	4.46643
147	78	4.6975
148	78	4.85237
149	78	4.92965
150	78	4.93771
151	78	4.88321
152	78	4.77432
153	78	4.61852
154	78	4.42128
155	78	4.19159
156	78	3.94374
157	78	3.68984
158	78	3.44801
159	78	3.21257
160	78	3.00449
161	78	2.82536
162	78	2.68281
163	78	2.58204
164	78	2.53437
165	78	2.51994
166	78	2.55555
167	78	2.59989
168	78	2.6644
169	78	2.74878
170	78	2.84866
171	78	2.95347
172	78	3.06275
173	78	3.15907
174	78	3.2489
175	78	3.33031
176	78	3.40953
177	78	3.48279
178	78	3.54603

179	78	3.59955
180	78	3.6482
-180	79	3.5998
-179	79	3.64269
-178	79	3.6765
-177	79	3.70504
-176	79	3.72564
-175	79	3.74401
-174	79	3.74873
-173	79	3.7483
-172	79	3.74199
-171	79	3.73573
-170	79	3.70785
-169	79	3.71145
-168	79	3.6954
-167	79	3.66643
-166	79	3.64836
-165	79	3.62566
-164	79	3.60057
-163	79	3.57002
-162	79	3.53187
-161	79	3.4891
-160	79	3.44691
-159	79	3.39757
-158	79	3.34932
-157	79	3.29557
-156	79	3.25614
-155	79	3.2204
-154	79	3.14474
-153	79	3.15124
-152	79	3.12035
-151	79	3.11412
-150	79	3.10449
-149	79	3.1344
-148	79	3.17173
-147	79	3.22105
-146	79	3.28321
-145	79	3.34808
-144	79	3.40792
-143	79	3.44602
-142	79	3.45908
-141	79	3.43393
-140	79	3.36053
-139	79	3.23942
-138	79	3.05693
-137	79	2.80231
-136	79	2.46051
-135	79	2.04258
-134	79	1.55539
-133	79	1.01745
-132	79	0.48165
-131	79	0.0240881
-130	79	-0.276645
-129	79	-0.3532
-128	79	-0.198206
-127	79	0.142868
-126	79	0.566271
-125	79	0.994495
-124	79	1.35256
-123	79	1.57989
-122	79	1.64152
-121	79	1.49122
-120	79	1.12787
-119	79	0.488462
-118	79	-0.371264
-117	79	-1.48623
-116	79	-2.85277
-115	79	-4.31703
-114	79	-5.39309
-113	79	-5.42211
-112	79	-4.33726
-111	79	-2.98519
-110	79	-1.76036
-109	79	-0.827408
-108	79	-0.219844
-107	79	0.0369911
-106	79	-0.0886977
-105	79	-0.601604
-104	79	-1.57749
-103	79	-3.12941
-102	79	-5.53003
-101	79	-9.34553
-100	79	-15.6287
-99	79	-15.7168
-98	79	-9.3432
-97	79	-5.65717
-96	79	-3.27649
-95	79	-1.82827
-94	79	-0.97648
-93	79	-0.595029
-92	79	-0.632254
-91	79	-1.2355
-90	79	-2.43377
-89	79	-4.3048
-88	79	-7.08088
-87	79	-11.4967
-86	79	-15.2726

-85	79	-11.0717
-84	79	-6.89046
-83	79	-4.15251
-82	79	-2.3556
-81	79	-1.245
-80	79	-0.613437
-79	79	-0.418508
-78	79	-0.633588
-77	79	-1.23598
-76	79	-2.15753
-75	79	-3.47762
-74	79	-5.01161
-73	79	-5.93907
-72	79	-5.70804
-71	79	-4.42119
-70	79	-2.88951
-69	79	-1.44302
-68	79	-0.367076
-67	79	0.388393
-66	79	0.828092
-65	79	0.972087
-64	79	0.874817
-63	79	0.508197
-62	79	-0.060412
-61	79	-0.705427
-60	79	-1.37743
-59	79	-1.80403
-58	79	-1.75409
-57	79	-1.23837
-56	79	-0.425375
-55	79	0.464119
-54	79	1.26841
-53	79	1.9242
-52	79	2.41801
-51	79	2.72053
-50	79	2.84377
-49	79	2.80112
-48	79	2.61233
-47	79	2.3086
-46	79	1.93777
-45	79	1.53094
-44	79	1.16772
-43	79	0.937546
-42	79	0.900783
-41	79	1.09
-40	79	1.47475
-39	79	1.98222
-38	79	2.52797
-37	79	3.05971
-36	79	3.54733
-35	79	3.97487
-34	79	4.32268
-33	79	4.5842
-32	79	4.75953
-31	79	4.85285
-30	79	4.89317
-29	79	4.82893
-28	79	4.73252
-27	79	4.56761
-26	79	4.36562
-25	79	4.13925
-24	79	3.88629
-23	79	3.62221
-22	79	3.35551
-21	79	3.10192
-20	79	2.88212
-19	79	2.69293
-18	79	2.55759
-17	79	2.44034
-16	79	2.408
-15	79	2.39332
-14	79	2.42965
-13	79	2.48954
-12	79	2.57968
-11	79	2.68569
-10	79	2.79555
-9	79	2.91796
-8	79	3.04097
-7	79	3.15523
-6	79	3.26126
-5	79	3.36692
-4	79	3.47267
-3	79	3.57534
-2	79	3.64238
-1	79	3.71052
0	79	3.76887
1	79	3.80838
2	79	3.83894
3	79	3.86075
4	79	3.87878
5	79	3.88466
6	79	3.88889
7	79	3.87997
8	79	3.86704
9	79	3.85433
10	79	3.84528
11	79	3.83118

12	79	3.80909
13	79	3.78328
14	79	3.76275
15	79	3.7464
16	79	3.73323
17	79	3.70688
18	79	3.67496
19	79	3.64073
20	79	3.60974
21	79	3.57303
22	79	3.51593
23	79	3.4792
24	79	3.44034
25	79	3.40605
26	79	3.37569
27	79	3.35216
28	79	3.33981
29	79	3.35346
30	79	3.35554
31	79	3.38437
32	79	3.4284
33	79	3.47872
34	79	3.54083
35	79	3.60295
36	79	3.65753
37	79	3.69129
38	79	3.69301
39	79	3.65355
40	79	3.56057
41	79	3.40505
42	79	3.18903
43	79	2.89673
44	79	2.52386
45	79	2.08853
46	79	1.5851
47	79	1.05673
48	79	0.55307
49	79	0.155283
50	79	-0.0722933
51	79	-0.076652
52	79	0.123345
53	79	0.481981
54	79	0.90816
55	79	1.32065
56	79	1.65434
57	79	1.85615
58	79	1.89079
59	79	1.71889
60	79	1.33991
61	79	0.726077
62	79	-0.146646
63	79	-1.29179
64	79	-2.68704
65	79	-4.14682
66	79	-5.19021
67	79	-5.1845
68	79	-4.14124
69	79	-2.74781
70	79	-1.53645
71	79	-0.550761
72	79	0.0715344
73	79	0.342942
74	79	0.339653
75	79	-0.102812
76	79	-1.00862
77	79	-2.51093
78	79	-4.81286
79	79	-8.52284
80	79	-15.0977
81	79	-16.6205
82	79	-9.38895
83	79	-5.4593
84	79	-2.96218
85	79	-1.46021
86	79	-0.557519
87	79	-0.140236
88	79	-0.18754
89	79	-0.713041
90	79	-1.81249
91	79	-3.61441
92	79	-6.20206
93	79	-10.2044
94	79	-13.8223
95	79	-10.6363
96	79	-6.61455
97	79	-3.83518
98	79	-2.0056
99	79	-0.836338
100	79	-0.181043
101	79	0.0281652
102	79	-0.168055
103	79	-0.730269
104	79	-1.67269
105	79	-2.95747
106	79	-4.28223
107	79	-5.28107
108	79	-5.19137

109	79	-3.90275
110	79	-2.44947
111	79	-1.13524
112	79	-0.115566
113	79	0.607157
114	79	1.03197
115	79	1.18431
116	79	1.08445
117	79	0.763859
118	79	0.268634
119	79	-0.319443
120	79	-0.863884
121	79	-1.18114
122	79	-1.1151
123	79	-0.666684
124	79	0.0347736
125	79	0.778563
126	79	1.47965
127	79	2.06063
128	79	2.47764
129	79	2.74348
130	79	2.84519
131	79	2.79368
132	79	2.61066
133	79	2.32881
134	79	1.98554
135	79	1.63819
136	79	1.35892
137	79	1.21545
138	79	1.25584
139	79	1.49097
140	79	1.8818
141	79	2.36828
142	79	2.87794
143	79	3.36797
144	79	3.80406
145	79	4.17267
146	79	4.46436
147	79	4.67637
148	79	4.80451
149	79	4.8619
150	79	4.84101
151	79	4.75703
152	79	4.62025
153	79	4.43332
154	79	4.20595
155	79	3.94618
156	79	3.67432
157	79	3.39558
158	79	3.13391
159	79	2.89096
160	79	2.68788
161	79	2.53587
162	79	2.39033
163	79	2.30943
164	79	2.27272
165	79	2.27094
166	79	2.32523
167	79	2.40206
168	79	2.4988
169	79	2.6096
170	79	2.72524
171	79	2.8442
172	79	2.96794
173	79	3.07847
174	79	3.1749
175	79	3.26864
176	79	3.34742
177	79	3.42188
178	79	3.48979
179	79	3.54763
180	79	3.5998
-180	80	3.62491
-179	80	3.65832
-178	80	3.68794
-177	80	3.70817
-176	80	3.71976
-175	80	3.72888
-174	80	3.7314
-173	80	3.72774
-172	80	3.71648
-171	80	3.67888
-170	80	3.6931
-169	80	3.67847
-168	80	3.66025
-167	80	3.63547
-166	80	3.60268
-165	80	3.57874
-164	80	3.55205
-163	80	3.51838
-162	80	3.4757
-161	80	3.43073
-160	80	3.38752
-159	80	3.33818
-158	80	3.28815
-157	80	3.23282
-156	80	3.18474

-155	80	3.13474
-154	80	3.10679
-153	80	3.02906
-152	80	3.03291
-151	80	3.00076
-150	80	2.99699
-149	80	3.0072
-148	80	3.04247
-147	80	3.09383
-146	80	3.15624
-145	80	3.22678
-144	80	3.2965
-143	80	3.35584
-142	80	3.38412
-141	80	3.38734
-140	80	3.34855
-139	80	3.25392
-138	80	3.09458
-137	80	2.86274
-136	80	2.5483
-135	80	2.15868
-134	80	1.70004
-133	80	1.1804
-132	80	0.638836
-131	80	0.141779
-130	80	-0.230809
-129	80	-0.395401
-128	80	-0.315786
-127	80	-0.0201586
-126	80	0.393487
-125	80	0.838051
-124	80	1.22743
-123	80	1.49449
-122	80	1.60611
-121	80	1.52404
-120	80	1.21931
-119	80	0.660649
-118	80	-0.143035
-117	80	-1.23915
-116	80	-2.55206
-115	80	-3.99679
-114	80	-5.16228
-113	80	-5.38767
-112	80	-4.54461
-111	80	-3.20475
-110	80	-1.89096
-109	80	-0.924028
-108	80	-0.272173
-107	80	0.0364479
-106	80	-0.0403437
-105	80	-0.494493
-104	80	-1.39491
-103	80	-2.84065
-102	80	-5.09363
-101	80	-8.61209
-100	80	-14.3901
-99	80	-16.4259
-98	80	-10.189
-97	80	-6.12661
-96	80	-3.63761
-95	80	-2.09873
-94	80	-1.11316
-93	80	-0.752866
-92	80	-0.826469
-91	80	-1.35007
-90	80	-2.50386
-89	80	-4.40309
-88	80	-7.14848
-87	80	-11.5673
-86	80	-15.2984
-85	80	-11.1359
-84	80	-6.94952
-83	80	-4.17936
-82	80	-2.42493
-81	80	-1.26874
-80	80	-0.633501
-79	80	-0.440796
-78	80	-0.609587
-77	80	-1.19491
-76	80	-2.15815
-75	80	-3.45549
-74	80	-4.94506
-73	80	-5.88376
-72	80	-5.72708
-71	80	-4.43913
-70	80	-2.90106
-69	80	-1.46583
-68	80	-0.367951
-67	80	0.367711
-66	80	0.808689
-65	80	0.946756
-64	80	0.81009
-63	80	0.492441
-62	80	-0.0860164
-61	80	-0.814411
-60	80	-1.48063
-59	80	-1.88593

-58	80	-1.80961
-57	80	-1.26556
-56	80	-0.424305
-55	80	0.460392
-54	80	1.25153
-53	80	1.91278
-52	80	2.39337
-51	80	2.68689
-50	80	2.8007
-49	80	2.75136
-48	80	2.54841
-47	80	2.2258
-46	80	1.83447
-45	80	1.40953
-44	80	1.03863
-43	80	0.819475
-42	80	0.806871
-41	80	1.02183
-40	80	1.42676
-39	80	1.94994
-38	80	2.51644
-37	80	3.06396
-36	80	3.55743
-35	80	3.96958
-34	80	4.2931
-33	80	4.52765
-32	80	4.68188
-31	80	4.75907
-30	80	4.75993
-29	80	4.68059
-28	80	4.56306
-27	80	4.37282
-26	80	4.14423
-25	80	3.88835
-24	80	3.6138
-23	80	3.32826
-22	80	3.05213
-21	80	2.79888
-20	80	2.57694
-19	80	2.41182
-18	80	2.28463
-17	80	2.19789
-16	80	2.19154
-15	80	2.21023
-14	80	2.26053
-13	80	2.35883
-12	80	2.47664
-11	80	2.61045
-10	80	2.74625
-9	80	2.88979
-8	80	3.02611
-7	80	3.15131
-6	80	3.26191
-5	80	3.37028
-4	80	3.48777
-3	80	3.57338
-2	80	3.64563
-1	80	3.70823
0	80	3.75408
1	80	3.7983
2	80	3.83361
3	80	3.86067
4	80	3.87734
5	80	3.88399
6	80	3.89042
7	80	3.87722
8	80	3.86195
9	80	3.84347
10	80	3.82544
11	80	3.80475
12	80	3.77816
13	80	3.74902
14	80	3.72328
15	80	3.70524
16	80	3.68949
17	80	3.65925
18	80	3.62176
19	80	3.58325
20	80	3.55085
21	80	3.51836
22	80	3.45098
23	80	3.41535
24	80	3.36894
25	80	3.32282
26	80	3.28416
27	80	3.24872
28	80	3.23077
29	80	3.23065
30	80	3.22802
31	80	3.25289
32	80	3.29478
33	80	3.34889
34	80	3.4146
35	80	3.48764
36	80	3.55839
37	80	3.61029
38	80	3.63436

39	80	3.61974
40	80	3.55917
41	80	3.43724
42	80	3.24999
43	80	2.99267
44	80	2.63884
45	80	2.24337
46	80	1.73299
47	80	1.2093
48	80	0.68361
49	80	0.233035
50	80	-0.0654726
51	80	-0.145268
52	80	0.00511468
53	80	0.33551
54	80	0.760626
55	80	1.18823
56	80	1.54746
57	80	1.78052
58	80	1.8557
59	80	1.739
60	80	1.39674
61	80	0.832952
62	80	0.0131737
63	80	-1.08071
64	80	-2.4145
65	80	-3.84801
66	80	-4.96665
67	80	-5.13226
68	80	-4.26736
69	80	-2.88157
70	80	-1.66847
71	80	-0.671097
72	80	-0.0173118
73	80	0.344041
74	80	0.295425
75	80	-0.0421353
76	80	-0.88149
77	80	-2.25442
78	80	-4.45381
79	80	-7.87445
80	80	-13.9275
81	80	-17.9137
82	80	-10.1924
83	80	-5.89571
84	80	-3.27233
85	80	-1.70911
86	80	-0.749893
87	80	-0.29204
88	80	-0.304187
89	80	-0.80649
90	80	-1.88064
91	80	-3.67063
92	80	-6.2333
93	80	-10.22
94	80	-13.8305
95	80	-10.715
96	80	-6.64232
97	80	-3.85728
98	80	-2.05668
99	80	-0.852164
100	80	-0.206727
101	80	0.0107397
102	80	-0.130559
103	80	-0.714232
104	80	-1.64563
105	80	-2.8421
106	80	-4.20584
107	80	-5.17402
108	80	-4.928
109	80	-3.82091
110	80	-2.40337
111	80	-1.12647
112	80	-0.11017
113	80	0.598631
114	80	1.01264
115	80	1.14593
116	80	1.0267
117	80	0.680951
118	80	0.168014
119	80	-0.430608
120	80	-0.97184
121	80	-1.26359
122	80	-1.1572
123	80	-0.672491
124	80	0.0479814
125	80	0.805963
126	80	1.50501
127	80	2.0742
128	80	2.47814
129	80	2.7223
130	80	2.80833
131	80	2.74132
132	80	2.54453
133	80	2.24548
134	80	1.88765
135	80	1.53198

136	80	1.24896
137	80	1.11936
138	80	1.1892
139	80	1.45239
140	80	1.86263
141	80	2.35296
142	80	2.86121
143	80	3.3447
144	80	3.77326
145	80	4.1269
146	80	4.40193
147	80	4.59307
148	80	4.70495
149	80	4.73806
150	80	4.69744
151	80	4.59371
152	80	4.43827
153	80	4.23612
154	80	3.99274
155	80	3.72453
156	80	3.44186
157	80	3.1484
158	80	2.87525
159	80	2.62839
160	80	2.4242
161	80	2.27592
162	80	2.18429
163	80	2.13389
164	80	2.12808
165	80	2.15396
166	80	2.2158
167	80	2.32316
168	80	2.44489
169	80	2.58164
170	80	2.7155
171	80	2.8479
172	80	2.9775
173	80	3.09674
174	80	3.20236
175	80	3.30159
176	80	3.38369
177	80	3.45829
178	80	3.52318
179	80	3.57794
180	80	3.62491
-180	81	3.71535
-179	81	3.74275
-178	81	3.76999
-177	81	3.78533
-176	81	3.79329
-175	81	3.79415
-174	81	3.78681
-173	81	3.77789
-172	81	3.77241
-171	81	3.75486
-170	81	3.71682
-169	81	3.69441
-168	81	3.66694
-167	81	3.63399
-166	81	3.58087
-165	81	3.56749
-164	81	3.5297
-163	81	3.49377
-162	81	3.44777
-161	81	3.3958
-160	81	3.34206
-159	81	3.28599
-158	81	3.22805
-157	81	3.16736
-156	81	3.10516
-155	81	3.04775
-154	81	2.99553
-153	81	2.95827
-152	81	2.91435
-151	81	2.87352
-150	81	2.8683
-149	81	2.87236
-148	81	2.90223
-147	81	2.9492
-146	81	3.01841
-145	81	3.097
-144	81	3.17378
-143	81	3.24643
-142	81	3.29028
-141	81	3.31855
-140	81	3.30573
-139	81	3.24013
-138	81	3.11028
-137	81	2.90405
-136	81	2.61148
-135	81	2.23537
-134	81	1.78841
-133	81	1.28068
-132	81	0.744585
-131	81	0.237872
-130	81	-0.167217
-129	81	-0.387665

-128	81	-0.374241
-127	81	-0.129094
-126	81	0.259011
-125	81	0.703465
-124	81	1.11063
-123	81	1.40882
-122	81	1.55312
-121	81	1.50917
-120	81	1.25177
-119	81	0.751397
-118	81	-0.0132681
-117	81	-1.03963
-116	81	-2.32961
-115	81	-3.77408
-114	81	-5.00736
-113	81	-5.37531
-112	81	-4.64227
-111	81	-3.34231
-110	81	-2.06573
-109	81	-1.01324
-108	81	-0.316915
-107	81	0.0344283
-106	81	0.00902356
-105	81	-0.392689
-104	81	-1.2262
-103	81	-2.59286
-102	81	-4.72077
-101	81	-7.99835
-100	81	-13.2603
-99	81	-16.611
-98	81	-10.691
-97	81	-6.60073
-96	81	-3.88068
-95	81	-2.33937
-94	81	-1.37151
-93	81	-0.930469
-92	81	-0.962196
-91	81	-1.48158
-90	81	-2.56494
-89	81	-4.4206
-88	81	-7.12771
-87	81	-11.455
-86	81	-15.0983
-85	81	-11.0885
-84	81	-6.97779
-83	81	-4.27468
-82	81	-2.45373
-81	81	-1.28924
-80	81	-0.645607
-79	81	-0.400194
-78	81	-0.605067
-77	81	-1.20274
-76	81	-2.15941
-75	81	-3.44209
-74	81	-4.88295
-73	81	-5.89962
-72	81	-5.72616
-71	81	-4.5097
-70	81	-2.91542
-69	81	-1.49463
-68	81	-0.409505
-67	81	0.324264
-66	81	0.745951
-65	81	0.883624
-64	81	0.795454
-63	81	0.405654
-62	81	-0.184429
-61	81	-0.927936
-60	81	-1.59274
-59	81	-1.97293
-58	81	-1.87227
-57	81	-1.30334
-56	81	-0.455996
-55	81	0.438697
-54	81	1.23929
-53	81	1.89028
-52	81	2.35443
-51	81	2.63768
-50	81	2.73107
-49	81	2.64966
-48	81	2.43956
-47	81	2.10806
-46	81	1.69912
-45	81	1.25762
-44	81	0.883972
-43	81	0.673796
-42	81	0.682893
-41	81	0.932458
-40	81	1.36712
-39	81	1.90957
-38	81	2.48351
-37	81	3.02629
-36	81	3.50992
-35	81	3.9139
-34	81	4.22713
-33	81	4.44835
-32	81	4.58573

-31	81	4.63904
-30	81	4.61701
-29	81	4.51839
-28	81	4.36631
-27	81	4.16103
-26	81	3.91713
-25	81	3.65383
-24	81	3.36265
-23	81	3.07038
-22	81	2.7959
-21	81	2.55158
-20	81	2.355
-19	81	2.22077
-18	81	2.05373
-17	81	2.09257
-16	81	2.10527
-15	81	2.15269
-14	81	2.23701
-13	81	2.36187
-12	81	2.50053
-11	81	2.64987
-10	81	2.80238
-9	81	2.95871
-8	81	3.10498
-7	81	3.23085
-6	81	3.34848
-5	81	3.46052
-4	81	3.5846
-3	81	3.65691
-2	81	3.73253
-1	81	3.7951
0	81	3.89216
1	81	3.87829
2	81	3.90836
3	81	3.93173
4	81	3.93475
5	81	3.94205
6	81	3.94013
7	81	3.93163
8	81	3.90982
9	81	3.90201
10	81	3.86168
11	81	3.84497
12	81	3.80995
13	81	3.7721
14	81	3.73734
15	81	3.71425
16	81	3.68534
17	81	3.64755
18	81	3.60264
19	81	3.55349
20	81	3.50868
21	81	3.47424
22	81	3.39268
23	81	3.3466
24	81	3.29033
25	81	3.23106
26	81	3.1789
27	81	3.13188
28	81	3.1045
29	81	3.08404
30	81	3.07871
31	81	3.09492
32	81	3.12688
33	81	3.17536
34	81	3.24619
35	81	3.33012
36	81	3.41448
37	81	3.47525
38	81	3.53008
39	81	3.54067
40	81	3.50192
41	81	3.413
42	81	3.25249
43	81	3.01761
44	81	2.70942
45	81	2.31523
46	81	1.84816
47	81	1.32786
48	81	0.791347
49	81	0.307712
50	81	-0.0477716
51	81	-0.194398
52	81	-0.104962
53	81	0.189283
54	81	0.604591
55	81	1.04228
56	81	1.42714
57	81	1.69742
58	81	1.8107
59	81	1.73665
60	81	1.45294
61	81	0.934252
62	81	0.150794
63	81	-0.896156
64	81	-2.20514
65	81	-3.66005

66	81	-4.86511
67	81	-5.16668
68	81	-4.40476
69	81	-3.02392
70	81	-1.7902
71	81	-0.751909
72	81	-0.0524916
73	81	0.305137
74	81	0.359777
75	81	-0.0171058
76	81	-0.717646
77	81	-2.07499
78	81	-4.09692
79	81	-7.28893
80	81	-12.7367
81	81	-18.1274
82	81	-10.9086
83	81	-6.37083
84	81	-3.60231
85	81	-1.91592
86	81	-0.912055
87	81	-0.443419
88	81	-0.452473
89	81	-0.932171
90	81	-1.94324
91	81	-3.70337
92	81	-6.20327
93	81	-10.0093
94	81	-13.6934
95	81	-10.6683
96	81	-6.67075
97	81	-3.88211
98	81	-2.04886
99	81	-0.872289
100	81	-0.203731
101	81	0.0683745
102	81	-0.131285
103	81	-0.675759
104	81	-1.57294
105	81	-2.79697
106	81	-4.14171
107	81	-5.00544
108	81	-4.88408
109	81	-3.81412
110	81	-2.44092
111	81	-1.15745
112	81	-0.1524
113	81	0.543318
114	81	0.940908
115	81	1.05983
116	81	0.926613
117	81	0.570108
118	81	0.0454054
119	81	-0.561775
120	81	-1.09819
121	81	-1.3629
122	81	-1.22174
123	81	-0.700821
124	81	0.0336064
125	81	0.808386
126	81	1.50646
127	81	2.06379
128	81	2.46072
129	81	2.68679
130	81	2.75235
131	81	2.66619
132	81	2.44869
133	81	2.13031
134	81	1.75242
135	81	1.38444
136	81	1.10365
137	81	0.986132
138	81	1.06968
139	81	1.34682
140	81	1.76993
141	81	2.27249
142	81	2.79134
143	81	3.27719
144	81	3.70152
145	81	4.04993
146	81	4.31613
147	81	4.49596
148	81	4.59474
149	81	4.61043
150	81	4.55373
151	81	4.42778
152	81	4.24748
153	81	4.01673
154	81	3.75253
155	81	3.47312
156	81	3.19618
157	81	2.91443
158	81	2.65771
159	81	2.42367
160	81	2.23679
161	81	2.10308
162	81	2.0315

163	81	2.01975
164	81	2.05164
165	81	2.11234
166	81	2.20633
167	81	2.34288
168	81	2.48377
169	81	2.63037
170	81	2.78129
171	81	2.92547
172	81	3.06157
173	81	3.18268
174	81	3.29207
175	81	3.39063
176	81	3.47641
177	81	3.55051
178	81	3.61699
179	81	3.67156
180	81	3.71535
-180	82	3.85604
-179	82	3.87342
-178	82	3.89336
-177	82	3.90302
-176	82	3.90722
-175	82	3.90589
-174	82	3.89726
-173	82	3.87694
-172	82	3.86945
-171	82	3.83989
-170	82	3.81945
-169	82	3.7909
-168	82	3.75429
-167	82	3.72029
-166	82	3.66586
-165	82	3.6421
-164	82	3.5948
-163	82	3.55168
-162	82	3.50158
-161	82	3.44803
-160	82	3.3859
-159	82	3.32142
-158	82	3.25218
-157	82	3.17972
-156	82	3.10425
-155	82	3.0304
-154	82	2.96264
-153	82	2.88637
-152	82	2.84852
-151	82	2.78942
-150	82	2.74795
-149	82	2.74419
-148	82	2.75518
-147	82	2.78773
-146	82	2.84691
-145	82	2.92304
-144	82	3.00719
-143	82	3.09986
-142	82	3.16552
-141	82	3.21565
-140	82	3.22359
-139	82	3.18099
-138	82	3.07973
-137	82	2.90295
-136	82	2.63944
-135	82	2.29222
-134	82	1.86642
-133	82	1.36679
-132	82	0.820908
-131	82	0.287058
-130	82	-0.15345
-129	82	-0.40888
-128	82	-0.433538
-127	82	-0.220837
-126	82	0.139498
-125	82	0.577059
-124	82	0.993203
-123	82	1.31762
-122	82	1.49747
-121	82	1.49237
-120	82	1.2724
-119	82	0.809427
-118	82	0.0847015
-117	82	-0.91701
-116	82	-2.17986
-115	82	-3.641
-114	82	-4.9217
-113	82	-5.43862
-112	82	-4.81771
-111	82	-3.5409
-110	82	-2.21285
-109	82	-1.14717
-108	82	-0.384191
-107	82	0.0194286
-106	82	0.0419929
-105	82	-0.305823
-104	82	-1.08551
-103	82	-2.38622
-102	82	-4.38324

-101	82	-7.43779
-100	82	-12.2672
-99	82	-16.3811
-98	82	-11.104
-97	82	-6.84107
-96	82	-4.21601
-95	82	-2.49761
-94	82	-1.48493
-93	82	-1.01238
-92	82	-1.02098
-91	82	-1.52229
-90	82	-2.55263
-89	82	-4.24716
-88	82	-6.94418
-87	82	-10.9798
-86	82	-14.2518
-85	82	-11.0106
-84	82	-7.08557
-83	82	-4.31883
-82	82	-2.49848
-81	82	-1.30497
-80	82	-0.641912
-79	82	-0.423921
-78	82	-0.604516
-77	82	-1.1998
-76	82	-2.17469
-75	82	-3.43715
-74	82	-4.88503
-73	82	-5.98489
-72	82	-5.91389
-71	82	-4.59261
-70	82	-2.98184
-69	82	-1.58489
-68	82	-0.484324
-67	82	0.250762
-66	82	0.695941
-65	82	0.844962
-64	82	0.699114
-63	82	0.292856
-62	82	-0.314022
-61	82	-1.06178
-60	82	-1.72515
-59	82	-2.09118
-58	82	-1.9712
-57	82	-1.37638
-56	82	-0.511813
-55	82	0.389091
-54	82	1.19667
-53	82	1.84201
-52	82	2.29722
-51	82	2.564
-50	82	2.64879
-49	82	2.56293
-48	82	2.32139
-47	82	1.96471
-46	82	1.54787
-45	82	1.09171
-44	82	0.705802
-43	82	0.507252
-42	82	0.537626
-41	82	0.840611
-40	82	1.27903
-39	82	1.84016
-38	82	2.42532
-37	82	2.96797
-36	82	3.44582
-35	82	3.83917
-34	82	4.13549
-33	82	4.34818
-32	82	4.46721
-31	82	4.5129
-30	82	4.47212
-29	82	4.36745
-28	82	4.20961
-27	82	3.99179
-26	82	3.73238
-25	82	3.45555
-24	82	3.1594
-23	82	2.88822
-22	82	2.62684
-21	82	2.41521
-20	82	2.23845
-19	82	2.10953
-18	82	2.04263
-17	82	2.04775
-16	82	2.09226
-15	82	2.17504
-14	82	2.29221
-13	82	2.43927
-12	82	2.60291
-11	82	2.76893
-10	82	2.94174
-9	82	3.11139
-8	82	3.26434
-7	82	3.40079
-6	82	3.52195
-5	82	3.63635

-4	82	3.75605
-3	82	3.82187
-2	82	3.89298
-1	82	3.95089
0	82	4.00015
1	82	4.02505
2	82	4.04923
3	82	4.06447
4	82	4.06478
5	82	4.07036
6	82	4.06046
7	82	4.04405
8	82	4.02395
9	82	3.9975
10	82	3.96455
11	82	3.93039
12	82	3.89785
13	82	3.86086
14	82	3.82039
15	82	3.78915
16	82	3.75102
17	82	3.70468
18	82	3.65273
19	82	3.59654
20	82	3.53606
21	82	3.491
22	82	3.39493
23	82	3.34368
24	82	3.25788
25	82	3.17699
26	82	3.11096
27	82	3.04524
28	82	3.00197
29	82	2.95891
30	82	2.95179
31	82	2.95911
32	82	2.97223
33	82	3.00458
34	82	3.07921
35	82	3.16404
36	82	3.24944
37	82	3.32894
38	82	3.39372
39	82	3.42848
40	82	3.42028
41	82	3.35716
42	82	3.23231
43	82	3.02441
44	82	2.75348
45	82	2.37422
46	82	1.92655
47	82	1.40874
48	82	0.866396
49	82	0.357156
50	82	-0.0441744
51	82	-0.251009
52	82	-0.222177
53	82	0.0339135
54	82	0.432236
55	82	0.880376
56	82	1.28859
57	82	1.59397
58	82	1.74764
59	82	1.71743
60	82	1.47514
61	82	0.997995
62	82	0.265132
63	82	-0.752141
64	82	-2.04242
65	82	-3.49815
66	82	-4.77266
67	82	-5.21741
68	82	-4.57197
69	82	-3.2417
70	82	-1.95823
71	82	-0.874255
72	82	-0.12886
73	82	0.269637
74	82	0.311906
75	82	-0.0173374
76	82	-0.635964
77	82	-1.89279
78	82	-3.82816
79	82	-6.77313
80	82	-11.7069
81	82	-17.096
82	82	-11.4503
83	82	-6.74999
84	82	-3.88868
85	82	-2.11786
86	82	-1.05308
87	82	-0.554617
88	82	-0.532866
89	82	-0.979452
90	82	-1.961
91	82	-3.5577
92	82	-6.12228

93	82	-9.81706
94	82	-13.0356
95	82	-10.582
96	82	-6.6866
97	82	-3.92023
98	82	-2.08263
99	82	-0.853994
100	82	-0.181558
101	82	0.0201928
102	82	-0.126444
103	82	-0.682248
104	82	-1.55193
105	82	-2.76017
106	82	-4.07833
107	82	-5.00007
108	82	-4.9141
109	82	-3.89918
110	82	-2.5112
111	82	-1.23722
112	82	-0.239101
113	82	0.452997
114	82	0.846464
115	82	0.960418
116	82	0.818731
117	82	0.452945
118	82	-0.0813541
119	82	-0.686285
120	82	-1.22008
121	82	-1.46428
122	82	-1.29862
123	82	-0.753642
124	82	-0.00892284
125	82	0.781157
126	82	1.47769
127	82	2.02144
128	82	2.41683
129	82	2.61908
130	82	2.66814
131	82	2.55984
132	82	2.31857
133	82	1.97709
134	82	1.58395
135	82	1.20755
136	82	0.916178
137	82	0.792852
138	82	0.88744
139	82	1.19178
140	82	1.65027
141	82	2.18127
142	82	2.71728
143	82	3.2099
144	82	3.63738
145	82	3.98111
146	82	4.23735
147	82	4.40503
148	82	4.48302
149	82	4.48701
150	82	4.42209
151	82	4.29158
152	82	4.10974
153	82	3.87528
154	82	3.60159
155	82	3.3134
156	82	3.02481
157	82	2.74606
158	82	2.50114
159	82	2.29375
160	82	2.13474
161	82	2.0239
162	82	1.99017
163	82	2.00587
164	82	2.0645
165	82	2.16121
166	82	2.28836
167	82	2.44331
168	82	2.60957
169	82	2.76969
170	82	2.93129
171	82	3.08354
172	82	3.22413
173	82	3.35284
174	82	3.46359
175	82	3.56102
176	82	3.64369
177	82	3.71303
178	82	3.7711
179	82	3.81873
180	82	3.85604
-180	83	4.0259
-179	83	4.03897
-178	83	4.05751
-177	83	4.06433
-176	83	4.06617
-175	83	4.05829
-174	83	4.04915
-173	83	4.018
-172	83	4.01054

-171	83	3.9818
-170	83	3.95527
-169	83	3.92112
-168	83	3.8706
-167	83	3.84872
-166	83	3.80959
-165	83	3.7729
-164	83	3.71799
-163	83	3.66774
-162	83	3.60996
-161	83	3.54784
-160	83	3.48191
-159	83	3.40716
-158	83	3.32714
-157	83	3.24475
-156	83	3.15519
-155	83	3.06728
-154	83	2.98139
-153	83	2.888
-152	83	2.79899
-151	83	2.75927
-150	83	2.67699
-149	83	2.65143
-148	83	2.63886
-147	83	2.65478
-146	83	2.70921
-145	83	2.77484
-144	83	2.85823
-143	83	2.94995
-142	83	3.03058
-141	83	3.09492
-140	83	3.12993
-139	83	3.11495
-138	83	3.03961
-137	83	2.88735
-136	83	2.64842
-135	83	2.32005
-134	83	1.90992
-133	83	1.42193
-132	83	0.878794
-131	83	0.329807
-130	83	-0.158729
-129	83	-0.480673
-128	83	-0.559278
-127	83	-0.372135
-126	83	-0.00182921
-125	83	0.456644
-124	83	0.892897
-123	83	1.23542
-122	83	1.43772
-121	83	1.46204
-120	83	1.27674
-119	83	0.854375
-118	83	0.16773
-117	83	-0.804306
-116	83	-2.05818
-115	83	-3.52692
-114	83	-4.91112
-113	83	-5.60074
-112	83	-5.04571
-111	83	-3.80222
-110	83	-2.44065
-109	83	-1.31699
-108	83	-0.506468
-107	83	-0.0298411
-106	83	0.0619114
-105	83	-0.276399
-104	83	-1.00436
-103	83	-2.24179
-102	83	-4.13299
-101	83	-7.02528
-100	83	-11.5435
-99	83	-15.8964
-98	83	-11.451
-97	83	-7.09758
-96	83	-4.37195
-95	83	-2.62041
-94	83	-1.5167
-93	83	-1.02319
-92	83	-1.00487
-91	83	-1.46959
-90	83	-2.47489
-89	83	-4.08594
-88	83	-6.65528
-87	83	-10.4617
-86	83	-13.8038
-85	83	-11.2275
-84	83	-7.23989
-83	83	-4.46215
-82	83	-2.59889
-81	83	-1.40023
-80	83	-0.719761
-79	83	-0.481066
-78	83	-0.659733
-77	83	-1.19325
-76	83	-2.16364
-75	83	-3.48845

-74	83	-4.92639
-73	83	-6.08767
-72	83	-6.00075
-71	83	-4.77749
-70	83	-3.13589
-69	83	-1.69774
-68	83	-0.617177
-67	83	0.155253
-66	83	0.591183
-65	83	0.735032
-64	83	0.585171
-63	83	0.168239
-62	83	-0.456964
-61	83	-1.20913
-60	83	-1.88225
-59	83	-2.25681
-58	83	-2.11945
-57	83	-1.4867
-56	83	-0.587382
-55	83	0.330614
-54	83	1.14151
-53	83	1.78525
-52	83	2.23108
-51	83	2.48116
-50	83	2.5492
-49	83	2.45009
-48	83	2.18995
-47	83	1.80889
-46	83	1.36607
-45	83	0.893315
-44	83	0.51616
-43	83	0.329919
-42	83	0.393206
-41	83	0.718667
-40	83	1.19015
-39	83	1.77526
-38	83	2.36473
-37	83	2.90819
-36	83	3.38797
-35	83	3.77587
-34	83	4.07768
-33	83	4.28087
-32	83	4.39252
-31	83	4.42706
-30	83	4.38764
-29	83	4.27595
-28	83	4.11199
-27	83	3.89528
-26	83	3.62928
-25	83	3.36481
-24	83	3.08587
-23	83	2.81544
-22	83	2.57539
-21	83	2.37361
-20	83	2.23227
-19	83	2.13997
-18	83	2.10618
-17	83	2.14414
-16	83	2.20893
-15	83	2.31337
-14	83	2.44448
-13	83	2.61171
-12	83	2.79002
-11	83	2.96605
-10	83	3.1364
-9	83	3.31604
-8	83	3.46289
-7	83	3.60028
-6	83	3.71632
-5	83	3.83038
-4	83	3.94455
-3	83	4.00992
-2	83	4.0775
-1	83	4.12849
0	83	4.17993
1	83	4.20077
2	83	4.22404
3	83	4.23444
4	83	4.23567
5	83	4.23633
6	83	4.22034
7	83	4.19952
8	83	4.17672
9	83	4.15083
10	83	4.11406
11	83	4.07646
12	83	4.03641
13	83	3.99921
14	83	3.96076
15	83	3.91999
16	83	3.87241
17	83	3.82025
18	83	3.7637
19	83	3.70189
20	83	3.64003
21	83	3.58968
22	83	3.4608

23	83	3.38699
24	83	3.29323
25	83	3.20091
26	83	3.10958
27	83	3.02625
28	83	2.95605
29	83	2.88503
30	83	2.86131
31	83	2.83882
32	83	2.86971
33	83	2.87168
34	83	2.93308
35	83	3.01113
36	83	3.09737
37	83	3.18747
38	83	3.26746
39	83	3.31963
40	83	3.33663
41	83	3.29714
42	83	3.19698
43	83	3.02293
44	83	2.75622
45	83	2.40822
46	83	1.97624
47	83	1.46733
48	83	0.928624
49	83	0.398215
50	83	-0.047353
51	83	-0.311839
52	83	-0.337889
53	83	-0.125425
54	83	0.25282
55	83	0.702419
56	83	1.12808
57	83	1.46023
58	83	1.64816
59	83	1.65231
60	83	1.4471
61	83	1.00506
62	83	0.308086
63	83	-0.662804
64	83	-1.91371
65	83	-3.35137
66	83	-4.69071
67	83	-5.30921
68	83	-4.78338
69	83	-3.51106
70	83	-2.17059
71	83	-1.04251
72	83	-0.247429
73	83	0.198791
74	83	0.285264
75	83	-0.00502085
76	83	-0.710167
77	83	-1.81788
78	83	-3.62667
79	83	-6.43028
80	83	-10.9831
81	83	-16.3874
82	83	-11.7779
83	83	-7.02545
84	83	-4.0915
85	83	-2.26455
86	83	-1.13236
87	83	-0.594394
88	83	-0.555781
89	83	-0.988865
90	83	-1.92755
91	83	-3.48378
92	83	-5.95102
93	83	-9.46634
94	83	-12.6271
95	83	-10.5629
96	83	-6.77976
97	83	-3.98796
98	83	-2.11443
99	83	-0.913864
100	83	-0.260238
101	83	-0.0105004
102	83	-0.170405
103	83	-0.68672
104	83	-1.56854
105	83	-2.7756
106	83	-4.09536
107	83	-5.03201
108	83	-4.98884
109	83	-4.00372
110	83	-2.63332
111	83	-1.3553
112	83	-0.352682
113	83	0.343216
114	83	0.738569
115	83	0.852064
116	83	0.707678
117	83	0.338192
118	83	-0.205138
119	83	-0.827123

120	83	-1.33874
121	83	-1.59197
122	83	-1.40267
123	83	-0.832938
124	83	-0.0734138
125	83	0.722652
126	83	1.41552
127	83	1.95248
128	83	2.33435
129	83	2.52678
130	83	2.56098
131	83	2.4338
132	83	2.16892
133	83	1.80187
134	83	1.38377
135	83	0.985516
136	83	0.700136
137	83	0.601366
138	83	0.730681
139	83	1.06716
140	83	1.55579
141	83	2.11014
142	83	2.6651
143	83	3.16379
144	83	3.59284
145	83	3.93737
146	83	4.19834
147	83	4.36429
148	83	4.44219
149	83	4.44151
150	83	4.3645
151	83	4.22368
152	83	4.02673
153	83	3.78748
154	83	3.50939
155	83	3.22315
156	83	2.93483
157	83	2.66341
158	83	2.42854
159	83	2.23859
160	83	2.10353
161	83	2.02851
162	83	2.0167
163	83	2.06214
164	83	2.15107
165	83	2.28066
166	83	2.42757
167	83	2.6009
168	83	2.78003
169	83	2.95036
170	83	3.1111
171	83	3.2741
172	83	3.41193
173	83	3.53859
174	83	3.64782
175	83	3.74195
176	83	3.82414
177	83	3.89067
178	83	3.94535
179	83	3.98635
180	83	4.0259
-180	84	4.18212
-179	84	4.19614
-178	84	4.21058
-177	84	4.2153
-176	84	4.21494
-175	84	4.20582
-174	84	4.20122
-173	84	4.18727
-172	84	4.14405
-171	84	4.12575
-170	84	4.10624
-169	84	4.07457
-168	84	4.01443
-167	84	3.9949
-166	84	3.9563
-165	84	3.91907
-164	84	3.85894
-163	84	3.80755
-162	84	3.75151
-161	84	3.68796
-160	84	3.61716
-159	84	3.53918
-158	84	3.4508
-157	84	3.35695
-156	84	3.25264
-155	84	3.15371
-154	84	3.05386
-153	84	2.94448
-152	84	2.84288
-151	84	2.74004
-150	84	2.68801
-149	84	2.60475
-148	84	2.57852
-147	84	2.57572
-146	84	2.60407
-145	84	2.65945

-144	84	2.73553
-143	84	2.8198
-142	84	2.9172
-141	84	2.99244
-140	84	3.04407
-139	84	3.0465
-138	84	2.99034
-137	84	2.86087
-136	84	2.64605
-135	84	2.3375
-134	84	1.94192
-133	84	1.45779
-132	84	0.905944
-131	84	0.335335
-130	84	-0.178458
-129	84	-0.546821
-128	84	-0.682061
-127	84	-0.556746
-126	84	-0.216404
-125	84	0.254202
-124	84	0.735295
-123	84	1.13057
-122	84	1.37618
-121	84	1.43431
-120	84	1.28083
-119	84	0.896174
-118	84	0.248702
-117	84	-0.679979
-116	84	-1.89492
-115	84	-3.3591
-114	84	-4.83994
-113	84	-5.68772
-112	84	-5.3497
-111	84	-4.11508
-110	84	-2.71342
-109	84	-1.5452
-108	84	-0.682661
-107	84	-0.15751
-106	84	-0.0185212
-105	84	-0.26536
-104	84	-0.991544
-103	84	-2.17839
-102	84	-3.99686
-101	84	-6.77597
-100	84	-10.9567
-99	84	-15.1792
-98	84	-11.5393
-97	84	-7.24807
-96	84	-4.47176
-95	84	-2.68652
-94	84	-1.52943
-93	84	-1.0096
-92	84	-0.958174
-91	84	-1.37642
-90	84	-2.32659
-89	84	-3.85194
-88	84	-6.31313
-87	84	-9.8813
-86	84	-13.4346
-85	84	-11.5608
-84	84	-7.67032
-83	84	-4.77995
-82	84	-2.81568
-81	84	-1.57161
-80	84	-0.86026
-79	84	-0.574676
-78	84	-0.728968
-77	84	-1.28885
-76	84	-2.16044
-75	84	-3.48099
-74	84	-5.0052
-73	84	-6.23932
-72	84	-6.20334
-71	84	-4.94287
-70	84	-3.28579
-69	84	-1.88934
-68	84	-0.750127
-67	84	0.0309202
-66	84	0.470121
-65	84	0.602652
-64	84	0.444599
-63	84	0.024764
-62	84	-0.614504
-61	84	-1.36926
-60	84	-2.04284
-59	84	-2.41795
-58	84	-2.26283
-57	84	-1.59799
-56	84	-0.685094
-55	84	0.259526
-54	84	1.07701
-53	84	1.71887
-52	84	2.15612
-51	84	2.3948
-50	84	2.44626
-49	84	2.32475
-48	84	2.05673

-47	84	1.66935
-46	84	1.21071
-45	84	0.727384
-44	84	0.354063
-43	84	0.184483
-42	84	0.275229
-41	84	0.611611
-40	84	1.12995
-39	84	1.7326
-38	84	2.33947
-37	84	2.89908
-36	84	3.38117
-35	84	3.77219
-34	84	4.07191
-33	84	4.27355
-32	84	4.38522
-31	84	4.41469
-30	84	4.36878
-29	84	4.25462
-28	84	4.08397
-27	84	3.86934
-26	84	3.61042
-25	84	3.35286
-24	84	3.08042
-23	84	2.82549
-22	84	2.6039
-21	84	2.39912
-20	84	2.27817
-19	84	2.20246
-18	84	2.176
-17	84	2.1726
-16	84	2.31835
-15	84	2.4604
-14	84	2.61696
-13	84	2.80079
-12	84	2.97908
-11	84	3.14554
-10	84	3.31442
-9	84	3.49363
-8	84	3.64653
-7	84	3.78419
-6	84	3.89557
-5	84	4.00979
-4	84	4.11268
-3	84	4.17758
-2	84	4.24019
-1	84	4.28617
0	84	4.33052
1	84	4.35692
2	84	4.38079
3	84	4.38751
4	84	4.39027
5	84	4.39744
6	84	4.36517
7	84	4.31575
8	84	4.33894
9	84	4.30267
10	84	4.27423
11	84	4.23371
12	84	4.19439
13	84	4.15284
14	84	4.10832
15	84	4.06736
16	84	4.01324
17	84	3.95706
18	84	3.89895
19	84	3.83195
20	84	3.76172
21	84	3.70387
22	84	3.58738
23	84	3.49815
24	84	3.39524
25	84	3.28638
26	84	3.1776
27	84	3.07014
28	84	2.9723
29	84	2.86811
30	84	2.82586
31	84	2.78437
32	84	2.766
33	84	2.7809
34	84	2.82365
35	84	2.89141
36	84	2.97479
37	84	3.06754
38	84	3.15561
39	84	3.2174
40	84	3.26093
41	84	3.23879
42	84	3.15835
43	84	3.00067
44	84	2.76472
45	84	2.44123
46	84	2.02496
47	84	1.52472
48	84	0.978197
49	84	0.423246

50	84	-0.0573892
51	84	-0.376178
52	84	-0.46033
53	84	-0.295682
54	84	0.0613605
55	84	0.511417
56	84	0.954411
57	84	1.31273
58	84	1.52845
59	84	1.56692
60	84	1.40188
61	84	1.00374
62	84	0.354891
63	84	-0.569569
64	84	-1.78104
65	84	-3.22045
66	84	-4.63152
67	84	-5.38522
68	84	-5.01123
69	84	-3.80564
70	84	-2.42136
71	84	-1.25425
72	84	-0.410544
73	84	0.0814991
74	84	0.20751
75	84	-0.0473134
76	84	-0.709488
77	84	-1.89405
78	84	-3.55776
79	84	-6.22946
80	84	-10.4629
81	84	-15.671
82	84	-11.8318
83	84	-7.17893
84	84	-4.24476
85	84	-2.37172
86	84	-1.15995
87	84	-0.604307
88	84	-0.5179
89	84	-0.912009
90	84	-1.83365
91	84	-3.2941
92	84	-5.64948
93	84	-8.98808
94	84	-12.2298
95	84	-10.7103
96	84	-6.98907
97	84	-4.20167
98	84	-2.27714
99	84	-1.09947
100	84	-0.382494
101	84	-0.139998
102	84	-0.254613
103	84	-0.757004
104	84	-1.6291
105	84	-2.85366
106	84	-4.16163
107	84	-5.13693
108	84	-5.15043
109	84	-4.16255
110	84	-2.77946
111	84	-1.49159
112	84	-0.479619
113	84	0.220166
114	84	0.614939
115	84	0.727097
116	84	0.574949
117	84	0.198027
118	84	-0.352641
119	84	-0.979838
120	84	-1.50764
121	84	-1.73164
122	84	-1.53508
123	84	-0.946251
124	84	-0.173826
125	84	0.629635
126	84	1.3265
127	84	1.86589
128	84	2.23414
129	84	2.42196
130	84	2.44511
131	84	2.30317
132	84	2.02415
133	84	1.63584
134	84	1.19764
135	84	0.7926
136	84	0.5182
137	84	0.444185
138	84	0.609957
139	84	0.979419
140	84	1.50056
141	84	2.08222
142	84	2.65567
143	84	3.17344
144	84	3.60618
145	84	3.9504
146	84	4.20415

147	84	4.36424
148	84	4.43697
149	84	4.42914
150	84	4.35009
151	84	4.20579
152	84	4.00616
153	84	3.76542
154	84	3.49171
155	84	3.2089
156	84	2.92464
157	84	2.66644
158	84	2.44234
159	84	2.26845
160	84	2.15063
161	84	2.09254
162	84	2.10813
163	84	2.16757
164	84	2.27223
165	84	2.41881
166	84	2.59055
167	84	2.77158
168	84	2.95217
169	84	3.12411
170	84	3.28839
171	84	3.44844
172	84	3.58967
173	84	3.71269
174	84	3.82044
175	84	3.91315
176	84	3.99279
177	84	4.05648
178	84	4.10948
179	84	4.14597
180	84	4.18212
-180	85	4.29548
-179	85	4.3128
-178	85	4.32475
-177	85	4.32821
-176	85	4.32649
-175	85	4.31555
-174	85	4.30548
-173	85	4.28853
-172	85	4.275
-171	85	4.25061
-170	85	4.23168
-169	85	4.20442
-168	85	4.14634
-167	85	4.12905
-166	85	4.09205
-165	85	4.05288
-164	85	3.99325
-163	85	3.94527
-162	85	3.8913
-161	85	3.82713
-160	85	3.75306
-159	85	3.66821
-158	85	3.58017
-157	85	3.48482
-156	85	3.36987
-155	85	3.26966
-154	85	3.15831
-153	85	3.03694
-152	85	2.92028
-151	85	2.8096
-150	85	2.69092
-149	85	2.61964
-148	85	2.56771
-147	85	2.5354
-146	85	2.54743
-145	85	2.59704
-144	85	2.66535
-143	85	2.74433
-142	85	2.84739
-141	85	2.92661
-140	85	2.99065
-139	85	3.01005
-138	85	2.97053
-137	85	2.85831
-136	85	2.65865
-135	85	2.36227
-134	85	1.97229
-133	85	1.49275
-132	85	0.938695
-131	85	0.345966
-130	85	-0.212464
-129	85	-0.638274
-128	85	-0.827334
-127	85	-0.739484
-126	85	-0.416501
-125	85	0.048602
-124	85	0.535055
-123	85	0.9553
-122	85	1.24652
-121	85	1.36085
-120	85	1.27236
-119	85	0.937768
-118	85	0.337131

-117	85	-0.553491
-116	85	-1.73726
-115	85	-3.1794
-114	85	-4.6908
-113	85	-5.71202
-112	85	-5.55755
-111	85	-4.41001
-110	85	-2.99213
-109	85	-1.79289
-108	85	-0.880633
-107	85	-0.333708
-106	85	-0.148596
-105	85	-0.355378
-104	85	-0.97813
-103	85	-2.122
-102	85	-3.95262
-101	85	-6.60341
-100	85	-10.6675
-99	85	-14.8352
-98	85	-11.6336
-97	85	-7.37913
-96	85	-4.53574
-95	85	-2.68358
-94	85	-1.53871
-93	85	-0.927183
-92	85	-0.850391
-91	85	-1.27553
-90	85	-2.18879
-89	85	-3.63609
-88	85	-5.97921
-87	85	-9.2669
-86	85	-13.1262
-85	85	-12.2463
-84	85	-8.1186
-83	85	-5.13438
-82	85	-3.11981
-81	85	-1.80722
-80	85	-1.02995
-79	85	-0.734062
-78	85	-0.801765
-77	85	-1.32634
-76	85	-2.2733
-75	85	-3.58567
-74	85	-5.07265
-73	85	-6.32745
-72	85	-6.28883
-71	85	-5.18963
-70	85	-3.51183
-69	85	-2.00459
-68	85	-0.862414
-67	85	-0.085668
-66	85	0.352537
-65	85	0.480466
-64	85	0.324659
-63	85	-0.096743
-62	85	-0.756096
-61	85	-1.51836
-60	85	-2.19499
-59	85	-2.57079
-58	85	-2.39787
-57	85	-1.69184
-56	85	-0.751375
-55	85	0.190179
-54	85	1.00659
-53	85	1.63305
-52	85	2.07155
-51	85	2.31632
-50	85	2.36742
-49	85	2.24118
-48	85	1.96012
-47	85	1.56084
-46	85	1.10258
-45	85	0.622915
-44	85	0.250887
-43	85	0.0918139
-42	85	0.200665
-41	85	0.568869
-40	85	1.10933
-39	85	1.72876
-38	85	2.34864
-37	85	2.91826
-36	85	3.40364
-35	85	3.79788
-34	85	4.09377
-33	85	4.29459
-32	85	4.40301
-31	85	4.43079
-30	85	4.38615
-29	85	4.27504
-28	85	4.10411
-27	85	3.89499
-26	85	3.63855
-25	85	3.38035
-24	85	3.12252
-23	85	2.8616
-22	85	2.63765
-21	85	2.46135

-20	85	2.34469
-19	85	2.27673
-18	85	2.27007
-17	85	2.34115
-16	85	2.44017
-15	85	2.59087
-14	85	2.76171
-13	85	2.93875
-12	85	3.11347
-11	85	3.29086
-10	85	3.45984
-9	85	3.63434
-8	85	3.77652
-7	85	3.90097
-6	85	4.00729
-5	85	4.12155
-4	85	4.22262
-3	85	4.29517
-2	85	4.36097
-1	85	4.40807
0	85	4.44489
1	85	4.47024
2	85	4.48871
3	85	4.49799
4	85	4.50377
5	85	4.49918
6	85	4.48568
7	85	4.46938
8	85	4.45059
9	85	4.42485
10	85	4.39167
11	85	4.3606
12	85	4.32582
13	85	4.28894
14	85	4.24481
15	85	4.20014
16	85	4.14272
17	85	4.08877
18	85	4.03185
19	85	3.96257
20	85	3.88668
21	85	3.81875
22	85	3.70632
23	85	3.61219
24	85	3.50435
25	85	3.3919
26	85	3.2701
27	85	3.14753
28	85	3.03424
29	85	2.90447
30	85	2.83903
31	85	2.77634
32	85	2.72991
33	85	2.72513
34	85	2.75311
35	85	2.81447
36	85	2.89257
37	85	2.98487
38	85	3.07767
39	85	3.15422
40	85	3.19878
41	85	3.19728
42	85	3.13343
43	85	2.99746
44	85	2.78186
45	85	2.46664
46	85	2.07663
47	85	1.5682
48	85	1.02074
49	85	0.44587
50	85	-0.0762439
51	85	-0.451763
52	85	-0.594419
53	85	-0.472508
54	85	-0.134731
55	85	0.319173
56	85	0.783653
57	85	1.16772
58	85	1.41971
59	85	1.49834
60	85	1.37983
61	85	1.0259
62	85	0.414686
63	85	-0.472584
64	85	-1.65692
65	85	-3.08757
66	85	-4.54508
67	85	-5.46173
68	85	-5.24725
69	85	-4.11849
70	85	-2.71138
71	85	-1.49879
72	85	-0.603242
73	85	-0.0696654
74	85	0.0831963
75	85	-0.141777
76	85	-0.776244

77	85	-1.9238
78	85	-3.58206
79	85	-6.18075
80	85	-10.2637
81	85	-15.1905
82	85	-11.983
83	85	-7.34735
84	85	-4.28875
85	85	-2.38512
86	85	-1.20906
87	85	-0.511149
88	85	-0.437558
89	85	-0.830706
90	85	-1.69107
91	85	-3.09409
92	85	-5.3566
93	85	-8.47903
94	85	-12.0783
95	85	-11.1137
96	85	-7.33625
97	85	-4.50432
98	85	-2.58938
99	85	-1.36878
100	85	-0.588997
101	85	-0.207033
102	85	-0.373349
103	85	-0.861547
104	85	-1.72386
105	85	-2.95391
106	85	-4.27049
107	85	-5.25343
108	85	-5.29064
109	85	-4.30829
110	85	-2.92645
111	85	-1.63456
112	85	-0.618498
113	85	0.084448
114	85	0.480929
115	85	0.590929
116	85	0.43749
117	85	0.0518585
118	85	-0.512318
119	85	-1.15056
120	85	-1.68819
121	85	-1.91083
122	85	-1.67458
123	85	-1.05805
124	85	-0.26226
125	85	0.553054
126	85	1.25361
127	85	1.7869
128	85	2.14701
129	85	2.33295
130	85	2.34528
131	85	2.19128
132	85	1.89778
133	85	1.50267
134	85	1.06702
135	85	0.670737
136	85	0.401539
137	85	0.350088
138	85	0.546219
139	85	0.957389
140	85	1.50292
141	85	2.09882
142	85	2.67915
143	85	3.20288
144	85	3.64007
145	85	3.98749
146	85	4.23775
147	85	4.39983
148	85	4.46706
149	85	4.45704
150	85	4.37478
151	85	4.22697
152	85	4.02324
153	85	3.78229
154	85	3.50876
155	85	3.22914
156	85	2.95642
157	85	2.70507
158	85	2.49303
159	85	2.33332
160	85	2.22364
161	85	2.17639
162	85	2.20186
163	85	2.26477
164	85	2.37252
165	85	2.5309
166	85	2.70872
167	85	2.89228
168	85	3.0718
169	85	3.24824
170	85	3.41154
171	85	3.57327
172	85	3.71337
173	85	3.8353

174	85	3.94427
175	85	4.0358
176	85	4.11412
177	85	4.17592
178	85	4.22854
179	85	4.26422
180	85	4.29548
-180	86	4.35773
-179	86	4.37792
-178	86	4.39263
-177	86	4.39709
-176	86	4.40022
-175	86	4.39705
-174	86	4.39519
-173	86	4.38589
-172	86	4.36382
-171	86	4.34385
-170	86	4.32863
-169	86	4.30491
-168	86	4.25282
-167	86	4.2357
-166	86	4.20503
-165	86	4.16081
-164	86	4.10223
-163	86	4.05592
-162	86	4.00238
-161	86	3.94013
-160	86	3.86449
-159	86	3.78391
-158	86	3.69216
-157	86	3.60088
-156	86	3.48538
-155	86	3.37498
-154	86	3.25875
-153	86	3.12457
-152	86	2.99513
-151	86	2.86765
-150	86	2.7582
-149	86	2.64067
-148	86	2.56601
-147	86	2.52692
-146	86	2.52176
-145	86	2.56019
-144	86	2.63947
-143	86	2.71426
-142	86	2.81726
-141	86	2.90447
-140	86	2.9788
-139	86	3.0138
-138	86	2.9872
-137	86	2.89093
-136	86	2.70532
-135	86	2.42165
-134	86	2.0413
-133	86	1.56593
-132	86	1.00305
-131	86	0.388562
-130	86	-0.21104
-129	86	-0.694416
-128	86	-0.957987
-127	86	-0.929888
-126	86	-0.635253
-125	86	-0.164952
-124	86	0.34506
-123	86	0.793054
-122	86	1.1147
-121	86	1.26
-120	86	1.20254
-119	86	0.918354
-118	86	0.377972
-117	86	-0.454544
-116	86	-1.59018
-115	86	-2.99771
-114	86	-4.51995
-113	86	-5.66865
-112	86	-5.69939
-111	86	-4.64219
-110	86	-3.22837
-109	86	-1.99844
-108	86	-1.0412
-107	86	-0.506514
-106	86	-0.281251
-105	86	-0.461353
-104	86	-1.01196
-103	86	-2.18078
-102	86	-3.86522
-101	86	-6.50967
-100	86	-10.6067
-99	86	-14.9306
-98	86	-11.8514
-97	86	-7.53455
-96	86	-4.63491
-95	86	-2.72961
-94	86	-1.57717
-93	86	-0.895229
-92	86	-0.818094
-91	86	-1.17342

-90	86	-1.99084
-89	86	-3.46246
-88	86	-5.65847
-87	86	-8.97645
-86	86	-13.2611
-85	86	-12.8666
-84	86	-8.70861
-83	86	-5.49886
-82	86	-3.37756
-81	86	-2.00988
-80	86	-1.22163
-79	86	-0.842268
-78	86	-0.929481
-77	86	-1.43051
-76	86	-2.29683
-75	86	-3.58365
-74	86	-5.12484
-73	86	-6.38155
-72	86	-6.43892
-71	86	-5.25936
-70	86	-3.61362
-69	86	-2.11258
-68	86	-0.966157
-67	86	-0.194089
-66	86	0.242125
-65	86	0.364345
-64	86	0.196603
-63	86	-0.230792
-62	86	-0.902599
-61	86	-1.68772
-60	86	-2.39807
-59	86	-2.7383
-58	86	-2.55356
-57	86	-1.82313
-56	86	-0.84447
-55	86	0.116148
-54	86	0.9373
-53	86	1.5742
-52	86	2.01815
-51	86	2.26884
-50	86	2.32231
-49	86	2.1991
-48	86	1.91479
-47	86	1.51269
-46	86	1.04998
-45	86	0.568226
-44	86	0.201875
-43	86	0.049051
-42	86	0.163885
-41	86	0.547336
-40	86	1.10386
-39	86	1.74042
-38	86	2.36656
-37	86	2.93967
-36	86	3.4301
-35	86	3.8229
-34	86	4.11538
-33	86	4.31743
-32	86	4.42702
-31	86	4.45662
-30	86	4.41344
-29	86	4.30507
-28	86	4.13994
-27	86	3.93134
-26	86	3.68302
-25	86	3.42799
-24	86	3.16825
-23	86	2.92509
-22	86	2.70958
-21	86	2.54453
-20	86	2.43422
-19	86	2.38112
-18	86	2.38578
-17	86	2.45089
-16	86	2.55422
-15	86	2.69587
-14	86	2.86168
-13	86	3.03514
-12	86	3.20406
-11	86	3.37407
-10	86	3.53735
-9	86	3.70385
-8	86	3.85324
-7	86	3.9813
-6	86	4.09595
-5	86	4.20672
-4	86	4.29547
-3	86	4.35477
-2	86	4.40856
-1	86	4.44744
0	86	4.48231
1	86	4.51524
2	86	4.54604
3	86	4.55928
4	86	4.57025
5	86	4.56316
6	86	4.55084

7	86	4.53729
8	86	4.52293
9	86	4.50238
10	86	4.47533
11	86	4.44848
12	86	4.42106
13	86	4.38957
14	86	4.35143
15	86	4.30451
16	86	4.24856
17	86	4.19933
18	86	4.1446
19	86	4.07747
20	86	3.99704
21	86	3.92575
22	86	3.80741
23	86	3.70762
24	86	3.59908
25	86	3.48101
26	86	3.35948
27	86	3.23246
28	86	3.11116
29	86	2.97848
30	86	2.88618
31	86	2.80353
32	86	2.73589
33	86	2.70971
34	86	2.72253
35	86	2.77199
36	86	2.84251
37	86	2.93579
38	86	3.02979
39	86	3.11636
40	86	3.1685
41	86	3.18237
42	86	3.1323
43	86	3.01303
44	86	2.80613
45	86	2.51043
46	86	2.10839
47	86	1.63859
48	86	1.07946
49	86	0.490646
50	86	-0.067122
51	86	-0.499012
52	86	-0.706467
53	86	-0.626605
54	86	-0.324376
55	86	0.118871
56	86	0.58965
57	86	1.00334
58	86	1.29857
59	86	1.42252
60	86	1.34332
61	86	1.026
62	86	0.459299
63	86	-0.386965
64	86	-1.52868
65	86	-2.93655
66	86	-4.42957
67	86	-5.47897
68	86	-5.42351
69	86	-4.38589
70	86	-2.98161
71	86	-1.75909
72	86	-0.836209
73	86	-0.274415
74	86	-0.0800754
75	86	-0.26479
76	86	-0.868782
77	86	-1.9853
78	86	-3.70573
79	86	-6.2393
80	86	-10.231
81	86	-15.0024
82	86	-12.0467
83	86	-7.48226
84	86	-4.41448
85	86	-2.41834
86	86	-1.21179
87	86	-0.501123
88	86	-0.397725
89	86	-0.72089
90	86	-1.50843
91	86	-2.89876
92	86	-5.0948
93	86	-8.25775
94	86	-12.0481
95	86	-11.6344
96	86	-7.9046
97	86	-4.94094
98	86	-2.96083
99	86	-1.59041
100	86	-0.779609
101	86	-0.4375
102	86	-0.51083
103	86	-1.04609

104	86	-1.87976
105	86	-3.02901
106	86	-4.32044
107	86	-5.35115
108	86	-5.42215
109	86	-4.46107
110	86	-3.07915
111	86	-1.77853
112	86	-0.754823
113	86	-0.0504068
114	86	0.343878
115	86	0.449861
116	86	0.291536
117	86	-0.0963673
118	86	-0.662419
119	86	-1.29992
120	86	-1.84205
121	86	-2.05584
122	86	-1.80803
123	86	-1.16379
124	86	-0.338477
125	86	0.495239
126	86	1.20671
127	86	1.73724
128	86	2.08913
129	86	2.26586
130	86	2.27069
131	86	2.12344
132	86	1.83683
133	86	1.44559
134	86	1.00712
135	86	0.608438
136	86	0.348371
137	86	0.308556
138	86	0.520713
139	86	0.953977
140	86	1.51634
141	86	2.12722
142	86	2.71197
143	86	3.23837
144	86	3.68005
145	86	4.02655
146	86	4.27556
147	86	4.43664
148	86	4.50136
149	86	4.49073
150	86	4.40514
151	86	4.25494
152	86	4.05227
153	86	3.80949
154	86	3.53764
155	86	3.25878
156	86	2.9875
157	86	2.74067
158	86	2.53302
159	86	2.37626
160	86	2.27574
161	86	2.23192
162	86	2.25663
163	86	2.32823
164	86	2.43388
165	86	2.59456
166	86	2.77761
167	86	2.96595
168	86	3.14568
169	86	3.32102
170	86	3.48693
171	86	3.64428
172	86	3.78889
173	86	3.91041
174	86	4.01989
175	86	4.10997
176	86	4.18623
177	86	4.2442
178	86	4.29497
179	86	4.32917
180	86	4.35773
-180	87	4.39569
-179	87	4.41909
-178	87	4.43695
-177	87	4.44624
-176	87	4.44742
-175	87	4.44966
-174	87	4.44186
-173	87	4.43319
-172	87	4.42451
-171	87	4.40999
-170	87	4.39964
-169	87	4.37935
-168	87	4.33209
-167	87	4.31746
-166	87	4.29058
-165	87	4.24189
-164	87	4.18708
-163	87	4.1375
-162	87	4.08504
-161	87	4.02339

-160	87	3.95118
-159	87	3.87253
-158	87	3.78336
-157	87	3.69101
-156	87	3.57153
-155	87	3.45291
-154	87	3.33014
-153	87	3.19121
-152	87	3.05187
-151	87	2.9118
-150	87	2.77698
-149	87	2.66413
-148	87	2.554
-147	87	2.52602
-146	87	2.51043
-145	87	2.55173
-144	87	2.61916
-143	87	2.71832
-142	87	2.81695
-141	87	2.91021
-140	87	2.99132
-139	87	3.03805
-138	87	3.02881
-137	87	2.9527
-136	87	2.78477
-135	87	2.51862
-134	87	2.15168
-133	87	1.68537
-132	87	1.12076
-131	87	0.49664
-130	87	-0.145686
-129	87	-0.691669
-128	87	-1.02482
-127	87	-1.07303
-126	87	-0.829068
-125	87	-0.381354
-124	87	0.135533
-123	87	0.61576
-122	87	0.977143
-121	87	1.1641
-120	87	1.1407
-119	87	0.883887
-118	87	0.374219
-117	87	-0.418994
-116	87	-1.50734
-115	87	-2.86762
-114	87	-4.37272
-113	87	-5.58301
-112	87	-5.77979
-111	87	-4.84271
-110	87	-3.45012
-109	87	-2.17326
-108	87	-1.20318
-107	87	-0.59157
-106	87	-0.347671
-105	87	-0.509525
-104	87	-1.08643
-103	87	-2.17386
-102	87	-3.84082
-101	87	-6.44786
-100	87	-10.5221
-99	87	-15.3641
-98	87	-12.3656
-97	87	-7.81811
-96	87	-4.75307
-95	87	-2.82474
-94	87	-1.62841
-93	87	-0.881139
-92	87	-0.807899
-91	87	-1.17308
-90	87	-1.92633
-89	87	-3.28213
-88	87	-5.46031
-87	87	-8.76479
-86	87	-13.2955
-85	87	-13.6709
-84	87	-9.17931
-83	87	-5.89049
-82	87	-3.65761
-81	87	-2.21016
-80	87	-1.33334
-79	87	-0.958856
-78	87	-1.02475
-77	87	-1.46508
-76	87	-2.34473
-75	87	-3.61082
-74	87	-5.04825
-73	87	-6.41908
-72	87	-6.53004
-71	87	-5.38064
-70	87	-3.75885
-69	87	-2.27048
-68	87	-1.11518
-67	87	-0.330873
-66	87	0.0902776
-65	87	0.222884
-64	87	0.0522437

-63	87	-0.383038
-62	87	-1.07401
-61	87	-1.86185
-60	87	-2.56473
-59	87	-2.90844
-58	87	-2.70293
-57	87	-1.90961
-56	87	-0.907601
-55	87	0.0766632
-54	87	0.917212
-53	87	1.56609
-52	87	2.01741
-51	87	2.26665
-50	87	2.31329
-49	87	2.17871
-48	87	1.88848
-47	87	1.48547
-46	87	1.01596
-45	87	0.528876
-44	87	0.153184
-43	87	-0.000158818
-42	87	0.120924
-41	87	0.50821
-40	87	1.07969
-39	87	1.72738
-38	87	2.36875
-37	87	2.94845
-36	87	3.44413
-35	87	3.84142
-34	87	4.13827
-33	87	4.3386
-32	87	4.45565
-31	87	4.48691
-30	87	4.44631
-29	87	4.33984
-28	87	4.17404
-27	87	3.96402
-26	87	3.71388
-25	87	3.46125
-24	87	3.20022
-23	87	2.96193
-22	87	2.74984
-21	87	2.58741
-20	87	2.48075
-19	87	2.43322
-18	87	2.42507
-17	87	2.49245
-16	87	2.59566
-15	87	2.74215
-14	87	2.90337
-13	87	3.07334
-12	87	3.24492
-11	87	3.41055
-10	87	3.57467
-9	87	3.73279
-8	87	3.87767
-7	87	4.00232
-6	87	4.11088
-5	87	4.21241
-4	87	4.29616
-3	87	4.35994
-2	87	4.41765
-1	87	4.46586
0	87	4.50871
1	87	4.53997
2	87	4.56825
3	87	4.57804
4	87	4.58675
5	87	4.57959
6	87	4.57735
7	87	4.57692
8	87	4.57102
9	87	4.55862
10	87	4.53816
11	87	4.51066
12	87	4.48499
13	87	4.45882
14	87	4.42369
15	87	4.378
16	87	4.32865
17	87	4.27948
18	87	4.22749
19	87	4.16255
20	87	4.08488
21	87	4.01419
22	87	3.89708
23	87	3.78973
24	87	3.67594
25	87	3.55386
26	87	3.42908
27	87	3.30199
28	87	3.17289
29	87	3.0503
30	87	2.9317
31	87	2.83564
32	87	2.75799
33	87	2.71744

34	87	2.71455
35	87	2.74759
36	87	2.8093
37	87	2.90042
38	87	2.99897
39	87	3.0926
40	87	3.15858
41	87	3.18598
42	87	3.15433
43	87	3.05397
44	87	2.8655
45	87	2.58195
46	87	2.20908
47	87	1.73556
48	87	1.17737
49	87	0.584294
50	87	-0.00894006
51	87	-0.486904
52	87	-0.75586
53	87	-0.764033
54	87	-0.511349
55	87	-0.0918613
56	87	0.385637
57	87	0.841687
58	87	1.15762
59	87	1.31958
60	87	1.28086
61	87	1.0069
62	87	0.479394
63	87	-0.327309
64	87	-1.4225
65	87	-2.78208
66	87	-4.24963
67	87	-5.37187
68	87	-5.48848
69	87	-4.57255
70	87	-3.20893
71	87	-1.95759
72	87	-1.0176
73	87	-0.427559
74	87	-0.204776
75	87	-0.365229
76	87	-0.941796
77	87	-2.02684
78	87	-3.73351
79	87	-6.3275
80	87	-10.273
81	87	-15.5005
82	87	-12.4162
83	87	-7.708
84	87	-4.5667
85	87	-2.54514
86	87	-1.29022
87	87	-0.500014
88	87	-0.38983
89	87	-0.710027
90	87	-1.44682
91	87	-2.78704
92	87	-4.95519
93	87	-8.08876
94	87	-12.1271
95	87	-12.4793
96	87	-8.55426
97	87	-5.45084
98	87	-3.25799
99	87	-1.8176
100	87	-0.961396
101	87	-0.582234
102	87	-0.727688
103	87	-1.13532
104	87	-1.94714
105	87	-3.06335
106	87	-4.37932
107	87	-5.42874
108	87	-5.54792
109	87	-4.6062
110	87	-3.2318
111	87	-1.93549
112	87	-0.905626
113	87	-0.189736
114	87	0.205036
115	87	0.309636
116	87	0.147387
117	87	-0.247153
118	87	-0.815156
119	87	-1.45346
120	87	-1.98815
121	87	-2.18465
122	87	-1.91513
123	87	-1.25597
124	87	-0.409857
125	87	0.439131
126	87	1.16653
127	87	1.7082
128	87	2.07021
129	87	2.2526
130	87	2.2539

131	87	2.09637
132	87	1.80163
133	87	1.40829
134	87	0.969356
135	87	0.573474
136	87	0.313025
137	87	0.283943
138	87	0.508816
139	87	0.947878
140	87	1.51727
141	87	2.1338
142	87	2.72494
143	87	3.25009
144	87	3.69325
145	87	4.04242
146	87	4.29394
147	87	4.4508
148	87	4.52132
149	87	4.51051
150	87	4.42603
151	87	4.2783
152	87	4.07452
153	87	3.83321
154	87	3.56082
155	87	3.28247
156	87	3.00708
157	87	2.76088
158	87	2.54781
159	87	2.39072
160	87	2.28724
161	87	2.24351
162	87	2.27182
163	87	2.34436
164	87	2.45816
165	87	2.62342
166	87	2.81403
167	87	2.99899
168	87	3.18236
169	87	3.3571
170	87	3.52838
171	87	3.68423
172	87	3.82745
173	87	3.94956
174	87	4.05478
175	87	4.14328
176	87	4.21893
177	87	4.279
178	87	4.32757
179	87	4.36441
180	87	4.39569
-180	88	4.4208
-179	88	4.44746
-178	88	4.46934
-177	88	4.4845
-176	88	4.48427
-175	88	4.48294
-174	88	4.49296
-173	88	4.48508
-172	88	4.47537
-171	88	4.46567
-170	88	4.45502
-169	88	4.4402
-168	88	4.39717
-167	88	4.38188
-166	88	4.36043
-165	88	4.31273
-164	88	4.25644
-163	88	4.20943
-162	88	4.15505
-161	88	4.09384
-160	88	4.02654
-159	88	3.94738
-158	88	3.85864
-157	88	3.77096
-156	88	3.64373
-155	88	3.51563
-154	88	3.38738
-153	88	3.23921
-152	88	3.08686
-151	88	2.93563
-150	88	2.7868
-149	88	2.65523
-148	88	2.57835
-147	88	2.50407
-146	88	2.49795
-145	88	2.5268
-144	88	2.59601
-143	88	2.69824
-142	88	2.80087
-141	88	2.91816
-140	88	3.01583
-139	88	3.07721
-138	88	3.08546
-137	88	3.02503
-136	88	2.87524
-135	88	2.6248
-134	88	2.26844

-133	88	1.81461
-132	88	1.26076
-131	88	0.632038
-130	88	-0.0298821
-129	88	-0.621349
-128	88	-1.03176
-127	88	-1.15955
-126	88	-0.977021
-125	88	-0.558542
-124	88	-0.0421246
-123	88	0.449514
-122	88	0.829712
-121	88	1.04421
-120	88	1.05815
-119	88	0.845878
-118	88	0.379537
-117	88	-0.381734
-116	88	-1.44948
-115	88	-2.79365
-114	88	-4.29103
-113	88	-5.53439
-112	88	-5.83164
-111	88	-4.98123
-110	88	-3.62637
-109	88	-2.33902
-108	88	-1.31486
-107	88	-0.641722
-106	88	-0.418471
-105	88	-0.522492
-104	88	-1.07401
-103	88	-2.12355
-102	88	-3.7402
-101	88	-6.28438
-100	88	-10.329
-99	88	-16.0342
-98	88	-13.5531
-97	88	-8.28166
-96	88	-5.07479
-95	88	-3.02816
-94	88	-1.76844
-93	88	-0.991064
-92	88	-0.839451
-91	88	-1.19274
-90	88	-1.86876
-89	88	-3.21985
-88	88	-5.3769
-87	88	-8.69405
-86	88	-13.5155
-85	88	-14.7696
-84	88	-9.83676
-83	88	-6.18291
-82	88	-3.9175
-81	88	-2.38424
-80	88	-1.47173
-79	88	-1.03364
-78	88	-1.04465
-77	88	-1.48435
-76	88	-2.24058
-75	88	-3.50359
-74	88	-5.02777
-73	88	-6.43159
-72	88	-6.64473
-71	88	-5.54085
-70	88	-3.97419
-69	88	-2.46848
-68	88	-1.29697
-67	88	-0.497265
-66	88	-0.0424222
-65	88	0.0786647
-64	88	-0.0797371
-63	88	-0.508054
-62	88	-1.19326
-61	88	-1.97144
-60	88	-2.6672
-59	88	-2.99518
-58	88	-2.72427
-57	88	-1.93001
-56	88	-0.910646
-55	88	0.0884688
-54	88	0.940234
-53	88	1.59423
-52	88	2.04246
-51	88	2.28879
-50	88	2.33311
-49	88	2.1891
-48	88	1.88548
-47	88	1.46921
-46	88	0.993211
-45	88	0.502001
-44	88	0.116549
-43	88	-0.0508113
-42	88	0.0683537
-41	88	0.463511
-40	88	1.0384
-39	88	1.69497
-38	88	2.34759
-37	88	2.93968

-36	88	3.44129
-35	88	3.85207
-34	88	4.15248
-33	88	4.3601
-32	88	4.48183
-31	88	4.51737
-30	88	4.47883
-29	88	4.37486
-28	88	4.2083
-27	88	4.00486
-26	88	3.75847
-25	88	3.50814
-24	88	3.24851
-23	88	3.01157
-22	88	2.79887
-21	88	2.63386
-20	88	2.52324
-19	88	2.46915
-18	88	2.459
-17	88	2.51653
-16	88	2.60608
-15	88	2.76191
-14	88	2.91156
-13	88	3.07287
-12	88	3.24434
-11	88	3.4032
-10	88	3.56337
-9	88	3.71404
-8	88	3.85789
-7	88	3.98586
-6	88	4.09967
-5	88	4.20118
-4	88	4.28675
-3	88	4.3533
-2	88	4.41376
-1	88	4.46486
0	88	4.50774
1	88	4.53924
2	88	4.56848
3	88	4.58602
4	88	4.6033
5	88	4.60423
6	88	4.60912
7	88	4.61095
8	88	4.60783
9	88	4.59862
10	88	4.58452
11	88	4.56376
12	88	4.54147
13	88	4.52028
14	88	4.49286
15	88	4.45032
16	88	4.40104
17	88	4.35445
18	88	4.29913
19	88	4.23343
20	88	4.15928
21	88	4.08699
22	88	3.97441
23	88	3.86419
24	88	3.74524
25	88	3.61693
26	88	3.48605
27	88	3.35105
28	88	3.20734
29	88	3.09146
30	88	2.94864
31	88	2.84417
32	88	2.75833
33	88	2.70886
34	88	2.69799
35	88	2.72373
36	88	2.78515
37	88	2.87102
38	88	2.97479
39	88	3.07557
40	88	3.15604
41	88	3.19533
42	88	3.17956
43	88	3.09449
44	88	2.92619
45	88	2.66601
46	88	2.29956
47	88	1.83562
48	88	1.29636
49	88	0.701089
50	88	0.084854
51	88	-0.436184
52	88	-0.78192
53	88	-0.860535
54	88	-0.662791
55	88	-0.265514
56	88	0.211471
57	88	0.662985
58	88	1.00157
59	88	1.18305
60	88	1.17446

61	88	0.933643
62	88	0.441962
63	88	-0.312043
64	88	-1.35898
65	88	-2.67479
66	88	-4.1208
67	88	-5.27998
68	88	-5.51405
69	88	-4.69363
70	88	-3.36932
71	88	-2.10371
72	88	-1.12705
73	88	-0.515561
74	88	-0.265673
75	88	-0.395415
76	88	-0.937456
77	88	-1.97793
78	88	-3.65821
79	88	-6.21718
80	88	-10.2268
81	88	-16.0626
82	88	-13.4326
83	88	-8.16368
84	88	-4.88243
85	88	-2.75633
86	88	-1.44919
87	88	-0.649036
88	88	-0.461605
89	88	-0.74183
90	88	-1.45287
91	88	-2.81531
92	88	-4.92738
93	88	-8.09226
94	88	-12.4979
95	88	-13.3421
96	88	-9.2745
97	88	-5.78046
98	88	-3.49423
99	88	-2.00441
100	88	-1.11035
101	88	-0.774618
102	88	-0.783768
103	88	-1.18995
104	88	-1.97605
105	88	-3.28773
106	88	-4.39063
107	88	-5.47916
108	88	-5.67763
109	88	-4.8011
110	88	-3.43113
111	88	-2.1065
112	88	-1.05769
113	88	-0.335816
114	88	0.0646446
115	88	0.165145
116	88	-0.00178521
117	88	-0.388364
118	88	-0.950717
119	88	-1.58846
120	88	-2.11132
121	88	-2.27697
122	88	-1.96694
123	88	-1.27489
124	88	-0.416658
125	88	0.434846
126	88	1.15612
127	88	1.70024
128	88	2.06817
129	88	2.25447
130	88	2.25294
131	88	2.09184
132	88	1.79191
133	88	1.39562
134	88	0.955202
135	88	0.553118
136	88	0.287177
137	88	0.251028
138	88	0.475951
139	88	0.91961
140	88	1.49033
141	88	2.10816
142	88	2.70468
143	88	3.23629
144	88	3.68145
145	88	4.03201
146	88	4.29089
147	88	4.44993
148	88	4.52192
149	88	4.51509
150	88	4.43387
151	88	4.28854
152	88	4.08588
153	88	3.84643
154	88	3.5756
155	88	3.29783
156	88	3.02162
157	88	2.77336

158	88	2.55792
159	88	2.39662
160	88	2.29154
161	88	2.24427
162	88	2.27553
163	88	2.34698
164	88	2.4645
165	88	2.6355
166	88	2.82835
167	88	3.018
168	88	3.20379
169	88	3.37772
170	88	3.54635
171	88	3.70109
172	88	3.84104
173	88	3.96405
174	88	4.07151
175	88	4.16148
176	88	4.23737
177	88	4.29799
178	88	4.34836
179	88	4.38791
180	88	4.4208
-180	89	4.44869
-179	89	4.48353
-178	89	4.50586
-177	89	4.53492
-176	89	4.53834
-175	89	4.53873
-174	89	4.53758
-173	89	4.54141
-172	89	4.532
-171	89	4.52161
-170	89	4.50928
-169	89	4.49833
-168	89	4.46137
-167	89	4.44518
-166	89	4.42422
-165	89	4.38021
-164	89	4.33097
-163	89	4.2865
-162	89	4.23527
-161	89	4.17431
-160	89	4.10863
-159	89	4.02858
-158	89	3.93812
-157	89	3.84574
-156	89	3.71385
-155	89	3.58214
-154	89	3.44963
-153	89	3.28892
-152	89	3.12636
-151	89	2.96535
-150	89	2.80686
-149	89	2.67169
-148	89	2.55365
-147	89	2.48871
-146	89	2.46625
-145	89	2.47798
-144	89	2.55528
-143	89	2.6527
-142	89	2.76821
-141	89	2.90014
-140	89	3.01334
-139	89	3.09233
-138	89	3.12019
-137	89	3.07643
-136	89	2.94726
-135	89	2.71965
-134	89	2.3891
-133	89	1.95217
-132	89	1.40485
-131	89	0.771297
-130	89	0.0970392
-129	89	-0.5329
-128	89	-0.996524
-127	89	-1.19387
-126	89	-1.07468
-125	89	-0.695059
-124	89	-0.192225
-123	89	0.305911
-122	89	0.706814
-121	89	0.944366
-120	89	0.979319
-119	89	0.788882
-118	89	0.350009
-117	89	-0.372367
-116	89	-1.40113
-115	89	-2.71954
-114	89	-4.2244
-113	89	-5.5416
-112	89	-5.94441
-111	89	-5.14999
-110	89	-3.77747
-109	89	-2.46853
-108	89	-1.41459
-107	89	-0.764807

-106	89	-0.446249
-105	89	-0.537924
-104	89	-1.00545
-103	89	-2.00991
-102	89	-3.56568
-101	89	-6.00933
-100	89	-9.90656
-99	89	-15.9997
-98	89	-14.7012
-97	89	-8.99365
-96	89	-5.53367
-95	89	-3.36237
-94	89	-2.03439
-93	89	-1.28683
-92	89	-0.941371
-91	89	-1.17761
-90	89	-2.0028
-89	89	-3.41043
-88	89	-5.5284
-87	89	-8.69624
-86	89	-13.8069
-85	89	-15.5414
-84	89	-10.3891
-83	89	-6.49852
-82	89	-4.05025
-81	89	-2.47594
-80	89	-1.51912
-79	89	-1.06973
-78	89	-1.0654
-77	89	-1.39298
-76	89	-2.21349
-75	89	-3.44272
-74	89	-4.96127
-73	89	-6.42431
-72	89	-6.76314
-71	89	-5.78819
-70	89	-4.21047
-69	89	-2.70708
-68	89	-1.51192
-67	89	-0.67463
-66	89	-0.198084
-65	89	-0.0503216
-64	89	-0.193466
-63	89	-0.610467
-62	89	-1.28589
-61	89	-2.0478
-60	89	-2.71759
-59	89	-3.01342
-58	89	-2.74269
-57	89	-1.94355
-56	89	-0.929105
-55	89	0.0696116
-54	89	0.92676
-53	89	1.5861
-52	89	2.03182
-51	89	2.27289
-50	89	2.32381
-49	89	2.19134
-48	89	1.89517
-47	89	1.46883
-46	89	0.97895
-45	89	0.470816
-44	89	0.0754747
-43	89	-0.102545
-42	89	0.00799587
-41	89	0.401498
-40	89	0.987718
-39	89	1.65034
-38	89	2.31876
-37	89	2.91097
-36	89	3.42336
-35	89	3.83747
-34	89	4.15222
-33	89	4.36937
-32	89	4.49472
-31	89	4.53906
-30	89	4.50107
-29	89	4.40115
-28	89	4.24029
-27	89	4.04078
-26	89	3.79925
-25	89	3.5505
-24	89	3.29687
-23	89	3.05568
-22	89	2.84738
-21	89	2.67481
-20	89	2.55825
-19	89	2.49401
-18	89	2.47468
-17	89	2.53126
-16	89	2.61558
-15	89	2.74074
-14	89	2.89421
-13	89	3.04965
-12	89	3.21221
-11	89	3.37618
-10	89	3.53008

-9	89	3.67761
-8	89	3.82842
-7	89	3.96138
-6	89	4.07447
-5	89	4.17652
-4	89	4.26908
-3	89	4.34056
-2	89	4.4047
-1	89	4.45864
0	89	4.50694
1	89	4.54741
2	89	4.57757
3	89	4.60499
4	89	4.62296
5	89	4.62451
6	89	4.63167
7	89	4.63391
8	89	4.62995
9	89	4.61795
10	89	4.60623
11	89	4.59201
12	89	4.57208
13	89	4.55012
14	89	4.52974
15	89	4.49549
16	89	4.45766
17	89	4.41895
18	89	4.3714
19	89	4.31005
20	89	4.24162
21	89	4.17236
22	89	4.0638
23	89	3.95005
24	89	3.82619
25	89	3.69072
26	89	3.55
27	89	3.39771
28	89	3.23338
29	89	3.10374
30	89	2.94173
31	89	2.826
32	89	2.72558
33	89	2.66631
34	89	2.64976
35	89	2.67351
36	89	2.73626
37	89	2.82554
38	89	2.93562
39	89	3.04524
40	89	3.13646
41	89	3.19224
42	89	3.19429
43	89	3.12127
44	89	2.96953
45	89	2.7281
46	89	2.38705
47	89	1.94692
48	89	1.40279
49	89	0.788441
50	89	0.14872
51	89	-0.417616
52	89	-0.811291
53	89	-0.943566
54	89	-0.797212
55	89	-0.437616
56	89	0.0269959
57	89	0.483506
58	89	0.844305
59	89	1.05539
60	89	1.07119
61	89	0.854988
62	89	0.396073
63	89	-0.329735
64	89	-1.33845
65	89	-2.61889
66	89	-4.04952
67	89	-5.25175
68	89	-5.54161
69	89	-4.79256
70	89	-3.49692
71	89	-2.21391
72	89	-1.20942
73	89	-0.557774
74	89	-0.26762
75	89	-0.372679
76	89	-0.85845
77	89	-1.83497
78	89	-3.4438
79	89	-5.91112
80	89	-9.77478
81	89	-15.9565
82	89	-14.8257
83	89	-8.95141
84	89	-5.39651
85	89	-3.17487
86	89	-1.73657
87	89	-0.951157

88	89	-0.532457
89	89	-0.783103
90	89	-1.58833
91	89	-2.93206
92	89	-5.00646
93	89	-8.21825
94	89	-12.7861
95	89	-14.3024
96	89	-9.63313
97	89	-5.97335
98	89	-3.63406
99	89	-2.10806
100	89	-1.27169
101	89	-0.829729
102	89	-0.819435
103	89	-1.2104
104	89	-1.95494
105	89	-3.06832
106	89	-4.39398
107	89	-5.53335
108	89	-5.81579
109	89	-5.00593
110	89	-3.65423
111	89	-2.3218
112	89	-1.25378
113	89	-0.505291
114	89	-0.0782083
115	89	0.0516744
116	89	-0.0929746
117	89	-0.474129
118	89	-1.03218
119	89	-1.6556
120	89	-2.15664
121	89	-2.3004
122	89	-1.97165
123	89	-1.28328
124	89	-0.429733
125	89	0.421262
126	89	1.16021
127	89	1.71076
128	89	2.07531
129	89	2.26068
130	89	2.25851
131	89	2.0986
132	89	1.80158
133	89	1.39589
134	89	0.945333
135	89	0.530332
136	89	0.25427
137	89	0.204527
138	89	0.41979
139	89	0.858803
140	89	1.43827
141	89	2.0592
142	89	2.66299
143	89	3.20239
144	89	3.65307
145	89	4.0105
146	89	4.2721
147	89	4.43798
148	89	4.51279
149	89	4.5141
150	89	4.43474
151	89	4.29696
152	89	4.10167
153	89	3.86661
154	89	3.60167
155	89	3.32707
156	89	3.05785
157	89	2.80648
158	89	2.59773
159	89	2.43158
160	89	2.32165
161	89	2.27123
162	89	2.29324
163	89	2.36723
164	89	2.47745
165	89	2.63994
166	89	2.83252
167	89	3.02137
168	89	3.20504
169	89	3.38424
170	89	3.54902
171	89	3.70436
172	89	3.8445
173	89	3.96825
174	89	4.07125
175	89	4.16428
176	89	4.2464
177	89	4.31254
178	89	4.36729
179	89	4.41061
180	89	4.44869
-180	90	4.48025
-179	90	4.52317
-178	90	4.54599
-177	90	4.56902

-176	90	4.57076
-175	90	4.57818
-174	90	4.59059
-173	90	4.58823
-172	90	4.58276
-171	90	4.57621
-170	90	4.5632
-169	90	4.54933
-168	90	4.52074
-167	90	4.50869
-166	90	4.48592
-165	90	4.446
-164	90	4.40948
-163	90	4.36732
-162	90	4.3193
-161	90	4.26254
-160	90	4.19196
-159	90	4.11541
-158	90	4.02012
-157	90	3.92374
-156	90	3.7882
-155	90	3.6523
-154	90	3.51381
-153	90	3.34457
-152	90	3.17613
-151	90	3.00315
-150	90	2.8317
-149	90	2.67467
-148	90	2.53855
-147	90	2.43858
-146	90	2.40163
-145	90	2.4202
-144	90	2.48815
-143	90	2.58075
-142	90	2.71274
-141	90	2.85511
-140	90	2.97751
-139	90	3.07603
-138	90	3.12462
-137	90	3.10305
-136	90	2.99518
-135	90	2.78222
-134	90	2.47025
-133	90	2.04878
-132	90	1.52217
-131	90	0.903667
-130	90	0.238671
-129	90	-0.396717
-128	90	-0.890252
-127	90	-1.14369
-126	90	-1.08536
-125	90	-0.755297
-124	90	-0.282897
-123	90	0.203195
-122	90	0.610519
-121	90	0.865098
-120	90	0.925679
-119	90	0.763345
-118	90	0.351931
-117	90	-0.350485
-116	90	-1.36506
-115	90	-2.6679
-114	90	-4.16161
-113	90	-5.51949
-112	90	-6.04675
-111	90	-5.33984
-110	90	-3.94079
-109	90	-2.60643
-108	90	-1.51349
-107	90	-0.798727
-106	90	-0.463701
-105	90	-0.506327
-104	90	-0.96092
-103	90	-1.87774
-102	90	-3.34478
-101	90	-5.64369
-100	90	-9.29002
-99	90	-15.2942
-98	90	-15.9157
-97	90	-9.80916
-96	90	-6.07362
-95	90	-3.73661
-94	90	-2.35378
-93	90	-1.52175
-92	90	-1.10062
-91	90	-1.34155
-90	90	-2.09306
-89	90	-3.53397
-88	90	-5.70917
-87	90	-8.90585
-86	90	-14.1569
-85	90	-16.4228
-84	90	-10.5818
-83	90	-6.6217
-82	90	-4.1353
-81	90	-2.54409
-80	90	-1.56919

-79	90	-1.06766
-78	90	-1.02184
-77	90	-1.40551
-76	90	-2.22786
-75	90	-3.44087
-74	90	-4.99047
-73	90	-6.50821
-72	90	-6.98784
-71	90	-6.07389
-70	90	-4.46299
-69	90	-2.93195
-68	90	-1.71914
-67	90	-0.850509
-66	90	-0.330417
-65	90	-0.155892
-64	90	-0.281304
-63	90	-0.679665
-62	90	-1.33272
-61	90	-2.07761
-60	90	-2.72731
-59	90	-3.03352
-58	90	-2.75586
-57	90	-1.96342
-56	90	-0.954405
-55	90	0.0344677
-54	90	0.88367
-53	90	1.53942
-52	90	1.98864
-51	90	2.23807
-50	90	2.29102
-49	90	2.16943
-48	90	1.884
-47	90	1.4637
-46	90	0.961825
-45	90	0.437069
-44	90	0.0194137
-43	90	-0.167116
-42	90	-0.0629075
-41	90	0.322995
-40	90	0.909582
-39	90	1.58401
-38	90	2.24951
-37	90	2.85824
-36	90	3.38397
-35	90	3.8065
-34	90	4.13098
-33	90	4.36363
-32	90	4.49215
-31	90	4.54254
-30	90	4.5136
-29	90	4.41711
-28	90	4.26411
-27	90	4.0685
-26	90	3.83245
-25	90	3.58352
-24	90	3.32995
-23	90	3.08987
-22	90	2.87546
-21	90	2.7017
-20	90	2.57734
-19	90	2.50693
-18	90	2.48019
-17	90	2.52621
-16	90	2.60594
-15	90	2.7159
-14	90	2.86234
-13	90	3.01454
-12	90	3.17791
-11	90	3.33962
-10	90	3.49627
-9	90	3.64072
-8	90	3.79427
-7	90	3.93124
-6	90	4.05303
-5	90	4.15431
-4	90	4.25075
-3	90	4.3282
-2	90	4.39994
-1	90	4.46702
0	90	4.52264
1	90	4.57472
2	90	4.60505
3	90	4.63661
4	90	4.65728
5	90	4.66038
6	90	4.66956
7	90	4.66811
8	90	4.6643
9	90	4.65753
10	90	4.65139
11	90	4.63783
12	90	4.62384
13	90	4.60584
14	90	4.58158
15	90	4.54763
16	90	4.51574
17	90	4.47193

18	90	4.41901
19	90	4.3547
20	90	4.27735
21	90	4.21259
22	90	4.10566
23	90	3.99451
24	90	3.87521
25	90	3.74543
26	90	3.60802
27	90	3.45213
28	90	3.27779
29	90	3.12879
30	90	2.96509
31	90	2.83658
32	90	2.72379
33	90	2.65563
34	90	2.62869
35	90	2.64762
36	90	2.70812
37	90	2.80149
38	90	2.91297
39	90	3.02647
40	90	3.12378
41	90	3.1906
42	90	3.21137
43	90	3.16536
44	90	3.04077
45	90	2.81888
46	90	2.50321
47	90	2.08198
48	90	1.56761
49	90	0.972347
50	90	0.352022
51	90	-0.226147
52	90	-0.657101
53	90	-0.85322
54	90	-0.774292
55	90	-0.467085
56	90	-0.038061
57	90	0.399357
58	90	0.761124
59	90	0.977023
60	90	1.00785
61	90	0.811607
62	90	0.373371
63	90	-0.333761
64	90	-1.32868
65	90	-2.59683
66	90	-4.02973
67	90	-5.26794
68	90	-5.67187
69	90	-4.96031
70	90	-3.67119
71	90	-2.35215
72	90	-1.28889
73	90	-0.640021
74	90	-0.315716
75	90	-0.365014
76	90	-0.804149
77	90	-1.73396
78	90	-3.26866
79	90	-5.62126
80	90	-9.27416
81	90	-15.1285
82	90	-15.8579
83	90	-9.64774
84	90	-5.86207
85	90	-3.53219
86	90	-2.09377
87	90	-1.19967
88	90	-0.707269
89	90	-0.910379
90	90	-1.64533
91	90	-3.03447
92	90	-5.19806
93	90	-8.49445
94	90	-13.0242
95	90	-14.6521
96	90	-9.79153
97	90	-6.10726
98	90	-3.67792
99	90	-2.26672
100	90	-1.33125
101	90	-0.876078
102	90	-0.842319
103	90	-1.19137
104	90	-1.93649
105	90	-3.03782
106	90	-4.38811
107	90	-5.60088
108	90	-5.98748
109	90	-5.23103
110	90	-3.86967
111	90	-2.51303
112	90	-1.41813
113	90	-0.64704
114	90	-0.194211

115	90	-0.0409073
116	90	-0.16248
117	90	-0.525139
118	90	-1.06478
119	90	-1.67533
120	90	-2.16526
121	90	-2.31403
122	90	-1.99728
123	90	-1.30284
124	90	-0.437445
125	90	0.413934
126	90	1.14304
127	90	1.68999
128	90	2.05244
129	90	2.24601
130	90	2.24814
131	90	2.09162
132	90	1.79289
133	90	1.38631
134	90	0.927848
135	90	0.498728
136	90	0.202314
137	90	0.139735
138	90	0.341456
139	90	0.775467
140	90	1.35344
141	90	1.98731
142	90	2.59488
143	90	3.14263
144	90	3.60566
145	90	3.97105
146	90	4.23738
147	90	4.41779
148	90	4.49595
149	90	4.50597
150	90	4.43757
151	90	4.3061
152	90	4.12184
153	90	3.8931
154	90	3.63682
155	90	3.36537
156	90	3.10013
157	90	2.85282
158	90	2.64062
159	90	2.47553
160	90	2.36211
161	90	2.30751
162	90	2.32482
163	90	2.39004
164	90	2.4967
165	90	2.64514
166	90	2.8294
167	90	3.01262
168	90	3.18899
169	90	3.36588
170	90	3.53418
171	90	3.68865
172	90	3.82838
173	90	3.95575
174	90	4.06575
175	90	4.16108
176	90	4.24546
177	90	4.31796
178	90	4.37738
179	90	4.44129
180	90	4.48025
-180	91	4.46893
-179	91	4.51142
-178	91	4.53895
-177	91	4.56107
-176	91	4.57737
-175	91	4.59102
-174	91	4.59433
-173	91	4.59972
-172	91	4.59938
-171	91	4.59585
-170	91	4.58385
-169	91	4.57594
-168	91	4.55776
-167	91	4.55069
-166	91	4.53254
-165	91	4.50445
-164	91	4.47786
-163	91	4.44599
-162	91	4.40421
-161	91	4.34911
-160	91	4.28162
-159	91	4.20414
-158	91	4.11784
-157	91	4.02222
-156	91	3.88216
-155	91	3.74549
-154	91	3.59881
-153	91	3.42918
-152	91	3.25396
-151	91	3.05921
-150	91	2.86284

-149	91	2.67651
-148	91	2.52132
-147	91	2.41085
-146	91	2.3402
-145	91	2.34328
-144	91	2.38618
-143	91	2.48045
-142	91	2.61477
-141	91	2.76584
-140	91	2.8875
-139	91	3.00953
-138	91	3.07302
-137	91	3.07337
-136	91	2.98778
-135	91	2.80027
-134	91	2.51091
-133	91	2.11568
-132	91	1.61705
-131	91	1.02374
-130	91	0.376636
-129	91	-0.254122
-128	91	-0.763597
-127	91	-1.04797
-126	91	-1.02735
-125	91	-0.734146
-124	91	-0.28377
-123	91	0.189577
-122	91	0.592947
-121	91	0.846665
-120	91	0.910163
-119	91	0.753514
-118	91	0.353787
-117	91	-0.329659
-116	91	-1.32306
-115	91	-2.61447
-114	91	-4.12111
-113	91	-5.54108
-112	91	-6.15395
-111	91	-5.51967
-110	91	-4.1183
-109	91	-2.77805
-108	91	-1.61932
-107	91	-0.862215
-106	91	-0.472566
-105	91	-0.476547
-104	91	-0.889676
-103	91	-1.76445
-102	91	-3.16937
-101	91	-5.35759
-100	91	-8.83354
-99	91	-14.3726
-98	91	-16.6622
-97	91	-10.5353
-96	91	-6.56554
-95	91	-4.12202
-94	91	-2.57366
-93	91	-1.87137
-92	91	-1.42675
-91	91	-1.56588
-90	91	-2.16975
-89	91	-3.34931
-88	91	-5.32632
-87	91	-8.35753
-86	91	-13.8833
-85	91	-16.2733
-84	91	-10.7116
-83	91	-6.78254
-82	91	-4.23833
-81	91	-2.67346
-80	91	-1.64157
-79	91	-1.13823
-78	91	-1.08153
-77	91	-1.45747
-76	91	-2.27704
-75	91	-3.5029
-74	91	-5.07535
-73	91	-6.68513
-72	91	-7.25107
-71	91	-6.33736
-70	91	-4.6686
-69	91	-3.07213
-68	91	-1.81597
-67	91	-0.93647
-66	91	-0.393323
-65	91	-0.183296
-64	91	-0.293991
-63	91	-0.677501
-62	91	-1.29327
-61	91	-2.03989
-60	91	-2.68644
-59	91	-3.01694
-58	91	-2.78229
-57	91	-2.03015
-56	91	-1.03893
-55	91	-0.0466484
-54	91	0.811362
-53	91	1.47773

-52	91	1.94156
-51	91	2.2062
-50	91	2.27445
-49	91	2.16425
-48	91	1.89069
-47	91	1.48157
-46	91	0.992568
-45	91	0.469432
-44	91	0.0423976
-43	91	-0.169378
-42	91	-0.0877857
-41	91	0.286876
-40	91	0.855747
-39	91	1.52222
-38	91	2.19176
-37	91	2.80396
-36	91	3.3308
-35	91	3.76462
-34	91	4.09254
-33	91	4.32515
-32	91	4.46497
-31	91	4.52177
-30	91	4.50474
-29	91	4.41516
-28	91	4.27441
-27	91	4.08569
-26	91	3.85779
-25	91	3.61342
-24	91	3.3627
-23	91	3.12149
-22	91	2.90236
-21	91	2.72344
-20	91	2.59011
-19	91	2.5093
-18	91	2.48824
-17	91	2.5227
-16	91	2.60395
-15	91	2.70855
-14	91	2.85057
-13	91	3.00456
-12	91	3.17371
-11	91	3.32947
-10	91	3.48442
-9	91	3.63013
-8	91	3.78557
-7	91	3.92012
-6	91	4.03972
-5	91	4.13891
-4	91	4.23561
-3	91	4.31406
-2	91	4.38674
-1	91	4.4501
0	91	4.50099
1	91	4.55181
2	91	4.58301
3	91	4.61226
4	91	4.63796
5	91	4.64531
6	91	4.6578
7	91	4.66474
8	91	4.66647
9	91	4.6636
10	91	4.66198
11	91	4.65603
12	91	4.64842
13	91	4.63345
14	91	4.61618
15	91	4.5934
16	91	4.57165
17	91	4.54075
18	91	4.49838
19	91	4.44133
20	91	4.37157
21	91	4.30806
22	91	4.20474
23	91	4.08605
24	91	3.95315
25	91	3.81505
26	91	3.66447
27	91	3.50448
28	91	3.32431
29	91	3.1522
30	91	2.97537
31	91	2.81729
32	91	2.68215
33	91	2.58996
34	91	2.54167
35	91	2.54228
36	91	2.58557
37	91	2.67423
38	91	2.78282
39	91	2.90323
40	91	3.00853
41	91	3.08701
42	91	3.11842
43	91	3.08961
44	91	2.98316

45	91	2.78563
46	91	2.49348
47	91	2.10866
48	91	1.61845
49	91	1.06723
50	91	0.476162
51	91	-0.0844143
52	91	-0.518168
53	91	-0.748936
54	91	-0.713265
55	91	-0.454807
56	91	-0.0624728
57	91	0.349002
58	91	0.697377
59	91	0.910961
60	91	0.947406
61	91	0.75856
62	91	0.327421
63	91	-0.372376
64	91	-1.36226
65	91	-2.63594
66	91	-4.09294
67	91	-5.38772
68	91	-5.85081
69	91	-5.14073
70	91	-3.83154
71	91	-2.46445
72	91	-1.39652
73	91	-0.680168
74	91	-0.320751
75	91	-0.334834
76	91	-0.7217
77	91	-1.59789
78	91	-3.03445
79	91	-5.2529
80	91	-8.65792
81	91	-14.0747
82	91	-16.1371
83	91	-10.4384
84	91	-6.42986
85	91	-3.98943
86	91	-2.45725
87	91	-1.70712
88	91	-1.13797
89	91	-1.208
90	91	-1.79956
91	91	-2.97478
92	91	-4.93641
93	91	-8.1585
94	91	-13.0189
95	91	-14.6936
96	91	-9.95176
97	91	-6.2368
98	91	-3.77132
99	91	-2.33224
100	91	-1.3692
101	91	-0.907637
102	91	-0.868777
103	91	-1.23617
104	91	-1.99531
105	91	-3.12789
106	91	-4.50501
107	91	-5.80019
108	91	-6.24423
109	91	-5.49413
110	91	-4.10139
111	91	-2.70242
112	91	-1.56041
113	91	-0.745698
114	91	-0.254856
115	91	-0.073073
116	91	-0.17856
117	91	-0.525054
118	91	-1.05104
119	91	-1.64871
120	91	-2.14826
121	91	-2.32038
122	91	-2.02856
123	91	-1.36
124	91	-0.516704
125	91	0.325453
126	91	1.05652
127	91	1.61341
128	91	1.98594
129	91	2.19873
130	91	2.21301
131	91	2.06841
132	91	1.77876
133	91	1.3781
134	91	0.923082
135	91	0.49465
136	91	0.19127
137	91	0.10435
138	91	0.285306
139	91	0.706448
140	91	1.27156
141	91	1.90086

142	91	2.51616
143	91	3.0676
144	91	3.53657
145	91	3.91595
146	91	4.19315
147	91	4.37807
148	91	4.46936
149	91	4.48741
150	91	4.43004
151	91	4.3028
152	91	4.12691
153	91	3.90105
154	91	3.65046
155	91	3.38226
156	91	3.11971
157	91	2.87255
158	91	2.65958
159	91	2.49411
160	91	2.37643
161	91	2.31878
162	91	2.33851
163	91	2.39697
164	91	2.50339
165	91	2.64392
166	91	2.81945
167	91	2.99237
168	91	3.17195
169	91	3.34115
170	91	3.50988
171	91	3.66359
172	91	3.8091
173	91	3.93903
174	91	4.05113
175	91	4.15028
176	91	4.23689
177	91	4.30888
178	91	4.37346
179	91	4.42678
180	91	4.46893
-180	92	4.4262
-179	92	4.46432
-178	92	4.50055
-177	92	4.53199
-176	92	4.55299
-175	92	4.56208
-174	92	4.57098
-173	92	4.57746
-172	92	4.57973
-171	92	4.581
-170	92	4.57086
-169	92	4.56523
-168	92	4.55154
-167	92	4.55107
-166	92	4.53716
-165	92	4.51609
-164	92	4.49895
-163	92	4.47124
-162	92	4.43389
-161	92	4.38371
-160	92	4.32249
-159	92	4.24317
-158	92	4.15638
-157	92	4.06055
-156	92	3.9274
-155	92	3.79608
-154	92	3.64647
-153	92	3.47376
-152	92	3.28871
-151	92	3.08833
-150	92	2.884
-149	92	2.68924
-148	92	2.5253
-147	92	2.39907
-146	92	2.33015
-145	92	2.31082
-144	92	2.34828
-143	92	2.43733
-142	92	2.56504
-141	92	2.71439
-140	92	2.85539
-139	92	2.96778
-138	92	3.04727
-137	92	3.05724
-136	92	2.98479
-135	92	2.81432
-134	92	2.53741
-133	92	2.15435
-132	92	1.66466
-131	92	1.07849
-130	92	0.431042
-129	92	-0.207049
-128	92	-0.728838
-127	92	-1.02697
-126	92	-1.02415
-125	92	-0.742119
-124	92	-0.297942
-123	92	0.177465

-122	92	0.585104
-121	92	0.853162
-120	92	0.9357
-119	92	0.804636
-118	92	0.432161
-117	92	-0.228275
-116	92	-1.20157
-115	92	-2.48199
-114	92	-4.00537
-113	92	-5.51019
-112	92	-6.3302
-111	92	-5.73857
-110	92	-4.40127
-109	92	-2.98499
-108	92	-1.78837
-107	92	-0.995636
-106	92	-0.566532
-105	92	-0.51466
-104	92	-0.869354
-103	92	-1.71477
-102	92	-3.02153
-101	92	-5.10077
-100	92	-8.36547
-99	92	-13.6885
-98	92	-16.7815
-97	92	-11.148
-96	92	-7.15744
-95	92	-4.63784
-94	92	-3.04346
-93	92	-2.09779
-92	92	-1.68454
-91	92	-1.64533
-90	92	-2.1102
-89	92	-3.37497
-88	92	-5.33274
-87	92	-8.24304
-86	92	-13.592
-85	92	-18.3513
-84	92	-11.6633
-83	92	-7.16191
-82	92	-4.49195
-81	92	-2.80953
-80	92	-1.75187
-79	92	-1.22877
-78	92	-1.15483
-77	92	-1.53644
-76	92	-2.31673
-75	92	-3.52531
-74	92	-5.09924
-73	92	-6.74829
-72	92	-7.40855
-71	92	-6.53636
-70	92	-4.84586
-69	92	-3.20292
-68	92	-1.89889
-67	92	-0.984931
-66	92	-0.42592
-65	92	-0.198724
-64	92	-0.275136
-63	92	-0.635447
-62	92	-1.24503
-61	92	-1.9605
-60	92	-2.62274
-59	92	-2.99624
-58	92	-2.81138
-57	92	-2.0973
-56	92	-1.12265
-55	92	-0.1299
-54	92	0.738135
-53	92	1.41898
-52	92	1.89895
-51	92	2.17772
-50	92	2.2556
-49	92	2.15317
-48	92	1.88399
-47	92	1.48041
-46	92	0.99253
-45	92	0.472938
-44	92	0.0406061
-43	92	-0.187806
-42	92	-0.147923
-41	92	0.203131
-40	92	0.765163
-39	92	1.4284
-38	92	2.10251
-37	92	2.72966
-36	92	3.27024
-35	92	3.7136
-34	92	4.06014
-33	92	4.30242
-32	92	4.46044
-31	92	4.52584
-30	92	4.51923
-29	92	4.4428
-28	92	4.3071
-27	92	4.12776
-26	92	3.90155

-25	92	3.66237
-24	92	3.41613
-23	92	3.17331
-22	92	2.959
-21	92	2.7772
-20	92	2.64038
-19	92	2.55505
-18	92	2.52219
-17	92	2.55589
-16	92	2.62009
-15	92	2.7107
-14	92	2.83772
-13	92	2.98035
-12	92	3.13758
-11	92	3.29815
-10	92	3.43827
-9	92	3.59153
-8	92	3.74411
-7	92	3.87387
-6	92	3.99721
-5	92	4.09774
-4	92	4.19402
-3	92	4.27491
-2	92	4.34636
-1	92	4.40932
0	92	4.46153
1	92	4.51007
2	92	4.54647
3	92	4.57263
4	92	4.60242
5	92	4.61446
6	92	4.62908
7	92	4.63844
8	92	4.64476
9	92	4.65003
10	92	4.65346
11	92	4.65054
12	92	4.64382
13	92	4.63187
14	92	4.61523
15	92	4.59181
16	92	4.56849
17	92	4.52985
18	92	4.48399
19	92	4.43093
20	92	4.37389
21	92	4.32149
22	92	4.22902
23	92	4.12059
24	92	3.99528
25	92	3.85455
26	92	3.69457
27	92	3.52792
28	92	3.34441
29	92	3.16581
30	92	2.98377
31	92	2.81518
32	92	2.66656
33	92	2.55608
34	92	2.49173
35	92	2.47663
36	92	2.51124
37	92	2.5942
38	92	2.70742
39	92	2.83947
40	92	2.9673
41	92	3.06902
42	92	3.11708
43	92	3.09886
44	92	2.99878
45	92	2.81031
46	92	2.52372
47	92	2.13853
48	92	1.66256
49	92	1.12054
50	92	0.524231
51	92	-0.0389441
52	92	-0.480959
53	92	-0.717635
54	92	-0.690541
55	92	-0.435594
56	92	-0.0404865
57	92	0.379258
58	92	0.736257
59	92	0.963177
60	92	1.0121
61	92	0.839041
62	92	0.428024
63	92	-0.254365
64	92	-1.22909
65	92	-2.50574
66	92	-4.01328
67	92	-5.45065
68	92	-6.11422
69	92	-5.51262
70	92	-4.20184
71	92	-2.75682

72	92	-1.62018
73	92	-0.843664
74	92	-0.428606
75	92	-0.389324
76	92	-0.722618
77	92	-1.52324
78	92	-2.89561
79	92	-4.98427
80	92	-8.16442
81	92	-13.1786
82	92	-16.2966
83	92	-11.0918
84	92	-7.03778
85	92	-4.4764
86	92	-2.84368
87	92	-1.89563
88	92	-1.40377
89	92	-1.27003
90	92	-1.82643
91	92	-3.03316
92	92	-4.89425
93	92	-8.12019
94	92	-13.1246
95	92	-16.2705
96	92	-10.7599
97	92	-6.57362
98	92	-4.02272
99	92	-2.46451
100	92	-1.48247
101	92	-1.00804
102	92	-0.953967
103	92	-1.30856
104	92	-2.05689
105	92	-3.19477
106	92	-4.59748
107	92	-5.93768
108	92	-6.46687
109	92	-5.73636
110	92	-4.29425
111	92	-2.83557
112	92	-1.65096
113	92	-0.810166
114	92	-0.303445
115	92	-0.109995
116	92	-0.196084
117	92	-0.517644
118	92	-1.01921
119	92	-1.60317
120	92	-2.10316
121	92	-2.30309
122	92	-2.06454
123	92	-1.43779
124	92	-0.610519
125	92	0.235182
126	92	0.974595
127	92	1.54229
128	92	1.93629
129	92	2.15781
130	92	2.181
131	92	2.04723
132	92	1.76874
133	92	1.37645
134	92	0.919355
135	92	0.477443
136	92	0.155394
137	92	0.045564
138	92	0.196668
139	92	0.598493
140	92	1.16422
141	92	1.79563
142	92	2.41859
143	92	2.98712
144	92	3.46984
145	92	3.86184
146	92	4.16041
147	92	4.35661
148	92	4.4647
149	92	4.49352
150	92	4.44666
151	92	4.33314
152	92	4.16387
153	92	3.95062
154	92	3.70495
155	92	3.44482
156	92	3.18818
157	92	2.93852
158	92	2.7278
159	92	2.55548
160	92	2.42891
161	92	2.3613
162	92	2.36187
163	92	2.41658
164	92	2.50785
165	92	2.63673
166	92	2.80103
167	92	2.96724
168	92	3.13775

169	92	3.30702
170	92	3.46621
171	92	3.62206
172	92	3.76175
173	92	3.8873
174	92	4.00106
175	92	4.1039
176	92	4.18704
177	92	4.26397
178	92	4.32731
179	92	4.38253
180	92	4.4262
-180	93	4.39098
-179	93	4.42632
-178	93	4.46531
-177	93	4.48702
-176	93	4.50976
-175	93	4.52891
-174	93	4.53946
-173	93	4.54803
-172	93	4.55292
-171	93	4.55396
-170	93	4.54632
-169	93	4.54485
-168	93	4.53569
-167	93	4.53876
-166	93	4.52855
-165	93	4.51681
-164	93	4.50439
-163	93	4.47468
-162	93	4.44172
-161	93	4.39726
-160	93	4.33793
-159	93	4.26534
-158	93	4.17428
-157	93	4.078
-156	93	3.95236
-155	93	3.81963
-154	93	3.66827
-153	93	3.49126
-152	93	3.30112
-151	93	3.1032
-150	93	2.90182
-149	93	2.70795
-148	93	2.53143
-147	93	2.39798
-146	93	2.31609
-145	93	2.29354
-144	93	2.34211
-143	93	2.41321
-142	93	2.54591
-141	93	2.68714
-140	93	2.83422
-139	93	2.95795
-138	93	3.0379
-137	93	3.05381
-136	93	2.98883
-135	93	2.82771
-134	93	2.56085
-133	93	2.18578
-132	93	1.6969
-131	93	1.11144
-130	93	0.46054
-129	93	-0.180706
-128	93	-0.707746
-127	93	-1.02009
-126	93	-1.0343
-125	93	-0.765465
-124	93	-0.3253
-123	93	0.156848
-122	93	0.576723
-121	93	0.860925
-120	93	0.961415
-119	93	0.852088
-118	93	0.503583
-117	93	-0.128385
-116	93	-1.07535
-115	93	-2.3356
-114	93	-3.85205
-113	93	-5.36916
-112	93	-6.25635
-111	93	-5.90558
-110	93	-4.60689
-109	93	-3.19474
-108	93	-1.96112
-107	93	-1.12825
-106	93	-0.664683
-105	93	-0.585886
-104	93	-0.904543
-103	93	-1.69254
-102	93	-2.95847
-101	93	-4.90083
-100	93	-7.83976
-99	93	-12.3919
-98	93	-15.781
-97	93	-11.3885
-96	93	-7.45294

-95	93	-4.881
-94	93	-3.24361
-93	93	-2.27055
-92	93	-1.90942
-91	93	-1.74221
-90	93	-2.22883
-89	93	-3.3127
-88	93	-5.20929
-87	93	-7.98175
-86	93	-13.019
-85	93	-18.3566
-84	93	-12.1388
-83	93	-7.7146
-82	93	-4.74628
-81	93	-2.87981
-80	93	-1.71272
-79	93	-1.09333
-78	93	-1.29136
-77	93	-1.62589
-76	93	-2.38691
-75	93	-3.57656
-74	93	-5.13775
-73	93	-6.79491
-72	93	-7.5197
-71	93	-6.68102
-70	93	-4.98111
-69	93	-3.31459
-68	93	-1.98668
-67	93	-1.03846
-66	93	-0.440214
-65	93	-0.17691
-64	93	-0.225559
-63	93	-0.565077
-62	93	-1.16577
-61	93	-1.88231
-60	93	-2.56048
-59	93	-2.98219
-58	93	-2.87522
-57	93	-2.20409
-56	93	-1.24877
-55	93	-0.251391
-54	93	0.63141
-53	93	1.33042
-52	93	1.82809
-51	93	2.12293
-50	93	2.2286
-49	93	2.13455
-48	93	1.88221
-47	93	1.48756
-46	93	1.00529
-45	93	0.480837
-44	93	0.032795
-43	93	-0.223742
-42	93	-0.20397
-41	93	0.107241
-40	93	0.650181
-39	93	1.3133
-38	93	1.99175
-37	93	2.6267
-36	93	3.1882
-35	93	3.64947
-34	93	4.01456
-33	93	4.2794
-32	93	4.45099
-31	93	4.5364
-30	93	4.54078
-29	93	4.47851
-28	93	4.35298
-27	93	4.18704
-26	93	3.9707
-25	93	3.7431
-24	93	3.50022
-23	93	3.25877
-22	93	3.04092
-21	93	2.84454
-20	93	2.69594
-19	93	2.59316
-18	93	2.54689
-17	93	2.55547
-16	93	2.60776
-15	93	2.68026
-14	93	2.79266
-13	93	2.92846
-12	93	3.08071
-11	93	3.23391
-10	93	3.38684
-9	93	3.52361
-8	93	3.68039
-7	93	3.8153
-6	93	3.93652
-5	93	4.03508
-4	93	4.13773
-3	93	4.22198
-2	93	4.29846
-1	93	4.36346
0	93	4.41842
1	93	4.46585

2	93	4.50761
3	93	4.53223
4	93	4.56212
5	93	4.57344
6	93	4.58747
7	93	4.59846
8	93	4.60789
9	93	4.61325
10	93	4.61692
11	93	4.61376
12	93	4.60737
13	93	4.59959
14	93	4.59552
15	93	4.59365
16	93	4.58777
17	93	4.55647
18	93	4.51832
19	93	4.46681
20	93	4.40209
21	93	4.34841
22	93	4.24391
23	93	4.13644
24	93	4.01747
25	93	3.87056
26	93	3.70972
27	93	3.53447
28	93	3.34469
29	93	3.15953
30	93	2.97298
31	93	2.80751
32	93	2.65218
33	93	2.53614
34	93	2.45864
35	93	2.42645
36	93	2.45078
37	93	2.52527
38	93	2.63742
39	93	2.76333
40	93	2.88666
41	93	2.98514
42	93	3.04149
43	93	3.03673
44	93	2.95595
45	93	2.78979
46	93	2.52641
47	93	2.16376
48	93	1.69215
49	93	1.15127
50	93	0.56812
51	93	-0.00336451
52	93	-0.450762
53	93	-0.691503
54	93	-0.679173
55	93	-0.438006
56	93	-0.05728
57	93	0.361759
58	93	0.721484
59	93	0.954927
60	93	1.01352
61	93	0.854012
62	93	0.462785
63	93	-0.192541
64	93	-1.13866
65	93	-2.39041
66	93	-3.89116
67	93	-5.37669
68	93	-6.18175
69	93	-5.73638
70	93	-4.4893
71	93	-3.01749
72	93	-1.84581
73	93	-1.02716
74	93	-0.574425
75	93	-0.496185
76	93	-0.791424
77	93	-1.54367
78	93	-2.84827
79	93	-4.82685
80	93	-7.70738
81	93	-12.0498
82	93	-15.1551
83	93	-11.3155
84	93	-7.33486
85	93	-4.73194
86	93	-3.04775
87	93	-2.04099
88	93	-1.55255
89	93	-1.34547
90	93	-1.85428
91	93	-2.96126
92	93	-4.82958
93	93	-7.84068
94	93	-12.5168
95	93	-16.081
96	93	-11.1664
97	93	-6.96073
98	93	-4.2454

99	93	-2.51114
100	93	-1.42659
101	93	-0.864241
102	93	-1.07771
103	93	-1.4171
104	93	-2.15692
105	93	-3.27855
106	93	-4.69171
107	93	-6.07203
108	93	-6.61384
109	93	-5.8936
110	93	-4.43801
111	93	-2.95756
112	93	-1.74853
113	93	-0.882315
114	93	-0.34883
115	93	-0.122838
116	93	-0.178714
117	93	-0.476424
118	93	-0.968427
119	93	-1.55723
120	93	-2.09344
121	93	-2.35505
122	93	-2.16681
123	93	-1.55521
124	93	-0.731571
125	93	0.115192
126	93	0.860822
127	93	1.44466
128	93	1.86189
129	93	2.11442
130	93	2.14728
131	93	2.03106
132	93	1.76342
133	93	1.38152
134	93	0.931709
135	93	0.479956
136	93	0.135082
137	93	-0.00240114
138	93	0.127396
139	93	0.501438
140	93	1.05446
141	93	1.68802
142	93	2.31438
143	93	2.89109
144	93	3.39223
145	93	3.79431
146	93	4.10533
147	93	4.31976
148	93	4.43544
149	93	4.48417
150	93	4.44857
151	93	4.35159
152	93	4.19449
153	93	3.99476
154	93	3.75667
155	93	3.50637
156	93	3.25245
157	93	3.00433
158	93	2.79171
159	93	2.60776
160	93	2.47429
161	93	2.39431
162	93	2.3805
163	93	2.41555
164	93	2.49548
165	93	2.60886
166	93	2.76003
167	93	2.92202
168	93	3.09182
169	93	3.2589
170	93	3.41891
171	93	3.57038
172	93	3.70871
173	93	3.83624
174	93	3.94996
175	93	4.0489
176	93	4.1385
177	93	4.21698
178	93	4.2848
179	93	4.34207
180	93	4.39098
-180	94	4.34771
-179	94	4.38377
-178	94	4.42998
-177	94	4.44793
-176	94	4.47109
-175	94	4.48915
-174	94	4.50317
-173	94	4.51232
-172	94	4.51993
-171	94	4.52337
-170	94	4.52021
-169	94	4.52098
-168	94	4.51247
-167	94	4.52177
-166	94	4.51612

-165	94	4.5088
-164	94	4.49465
-163	94	4.46916
-162	94	4.43666
-161	94	4.3919
-160	94	4.33552
-159	94	4.26382
-158	94	4.17454
-157	94	4.07432
-156	94	3.94247
-155	94	3.8109
-154	94	3.65687
-153	94	3.47812
-152	94	3.29193
-151	94	3.09103
-150	94	2.88871
-149	94	2.69313
-148	94	2.51408
-147	94	2.37468
-146	94	2.28486
-145	94	2.25523
-144	94	2.2861
-143	94	2.38734
-142	94	2.50762
-141	94	2.64301
-140	94	2.80608
-139	94	2.9348
-138	94	3.02112
-137	94	3.04455
-136	94	2.98667
-135	94	2.82623
-134	94	2.56196
-133	94	2.19221
-132	94	1.71383
-131	94	1.13483
-130	94	0.487695
-129	94	-0.155147
-128	94	-0.69182
-127	94	-1.01951
-126	94	-1.04999
-125	94	-0.788505
-124	94	-0.348713
-123	94	0.138519
-122	94	0.566752
-121	94	0.865656
-120	94	0.984445
-119	94	0.894622
-118	94	0.56605
-117	94	-0.0425764
-116	94	-0.960419
-115	94	-2.19335
-114	94	-3.63778
-113	94	-5.20023
-112	94	-6.24791
-111	94	-6.03739
-110	94	-4.82622
-109	94	-3.41442
-108	94	-2.15482
-107	94	-1.282
-106	94	-0.777931
-105	94	-0.653074
-104	94	-1.06358
-103	94	-1.78593
-102	94	-2.9735
-101	94	-4.831
-100	94	-7.6119
-99	94	-11.7773
-98	94	-15.2925
-97	94	-11.7183
-96	94	-7.74273
-95	94	-5.10918
-94	94	-3.41125
-93	94	-2.38237
-92	94	-1.96314
-91	94	-1.69013
-90	94	-2.21247
-89	94	-3.27322
-88	94	-5.03558
-87	94	-7.64563
-86	94	-12.3506
-85	94	-18.0792
-84	94	-12.7855
-83	94	-8.19577
-82	94	-5.09317
-81	94	-3.14191
-80	94	-1.92345
-79	94	-1.26794
-78	94	-1.11377
-77	94	-1.37775
-76	94	-2.0788
-75	94	-3.65033
-74	94	-5.20106
-73	94	-6.85627
-72	94	-7.64031
-71	94	-6.84032
-70	94	-5.12884
-69	94	-3.42631

-68	94	-2.0661
-67	94	-1.09454
-66	94	-0.478333
-65	94	-0.18301
-64	94	-0.193046
-63	94	-0.506156
-62	94	-1.1004
-61	94	-1.84504
-60	94	-2.54815
-59	94	-3.02197
-58	94	-2.97039
-57	94	-2.34521
-56	94	-1.40707
-55	94	-0.407697
-54	94	0.492151
-53	94	1.2149
-52	94	1.73883
-51	94	2.05999
-50	94	2.18448
-49	94	2.12721
-48	94	1.89909
-47	94	1.51976
-46	94	1.04059
-45	94	0.514879
-44	94	0.0454637
-43	94	-0.249386
-42	94	-0.27085
-41	94	0.00709803
-40	94	0.52103
-39	94	1.16611
-38	94	1.8504
-37	94	2.49094
-36	94	3.05935
-35	94	3.53933
-34	94	3.91577
-33	94	4.20251
-32	94	4.39173
-31	94	4.49782
-30	94	4.52315
-29	94	4.47752
-28	94	4.36958
-27	94	4.212
-26	94	4.00937
-25	94	3.78752
-24	94	3.54652
-23	94	3.31323
-22	94	3.08853
-21	94	2.89122
-20	94	2.73383
-19	94	2.61735
-18	94	2.55998
-17	94	2.54582
-16	94	2.5813
-15	94	2.64206
-14	94	2.73679
-13	94	2.86537
-12	94	3.00747
-11	94	3.16117
-10	94	3.31535
-9	94	3.45351
-8	94	3.60069
-7	94	3.74151
-6	94	3.86559
-5	94	3.96721
-4	94	4.0713
-3	94	4.15574
-2	94	4.23241
-1	94	4.29598
0	94	4.35302
1	94	4.40022
2	94	4.4504
3	94	4.48863
4	94	4.52667
5	94	4.54228
6	94	4.55602
7	94	4.56205
8	94	4.57114
9	94	4.58087
10	94	4.59299
11	94	4.59849
12	94	4.59786
13	94	4.59314
14	94	4.58975
15	94	4.58589
16	94	4.57447
17	94	4.54644
18	94	4.51059
19	94	4.46053
20	94	4.39944
21	94	4.34721
22	94	4.23645
23	94	4.12417
24	94	3.99742
25	94	3.84877
26	94	3.69104
27	94	3.51379
28	94	3.33025

29	94	3.13515
30	94	2.93823
31	94	2.76549
32	94	2.60634
33	94	2.48781
34	94	2.40789
35	94	2.37814
36	94	2.3998
37	94	2.47326
38	94	2.58803
39	94	2.71418
40	94	2.84318
41	94	2.94127
42	94	2.99757
43	94	2.99073
44	94	2.90966
45	94	2.7397
46	94	2.47773
47	94	2.12282
48	94	1.66998
49	94	1.13521
50	94	0.552511
51	94	-0.0126979
52	94	-0.468526
53	94	-0.72016
54	94	-0.719371
55	94	-0.470539
56	94	-0.0785522
57	94	0.35128
58	94	0.72236
59	94	0.972023
60	94	1.05123
61	94	0.916436
62	94	0.55051
63	94	-0.0773958
64	94	-0.99208
65	94	-2.2073
66	94	-3.68274
67	94	-5.19834
68	94	-6.16237
69	94	-5.90844
70	94	-4.76049
71	94	-3.2932
72	94	-2.09937
73	94	-1.24782
74	94	-0.760858
75	94	-0.649901
76	94	-1.05006
77	94	-1.73664
78	94	-2.94289
79	94	-4.76657
80	94	-7.52171
81	94	-11.5745
82	94	-15.0133
83	94	-11.5028
84	94	-7.56867
85	94	-4.88452
86	94	-3.17823
87	94	-2.15438
88	94	-1.62515
89	94	-1.32098
90	94	-1.83332
91	94	-2.8534
92	94	-4.73107
93	94	-7.47996
94	94	-11.9715
95	94	-16.1477
96	94	-11.8274
97	94	-7.46809
98	94	-4.56425
99	94	-2.81616
100	94	-1.67455
101	94	-1.06853
102	94	-0.921036
103	94	-1.18858
104	94	-1.87662
105	94	-3.36395
106	94	-4.7766
107	94	-6.13956
108	94	-6.73969
109	94	-6.0365
110	94	-4.5658
111	94	-3.0546
112	94	-1.82457
113	94	-0.934878
114	94	-0.379667
115	94	-0.131258
116	94	-0.167589
117	94	-0.450716
118	94	-0.938993
119	94	-1.54309
120	94	-2.10751
121	94	-2.40532
122	94	-2.26383
123	94	-1.69734
124	94	-0.900515
125	94	-0.046843

126	94	0.724567
127	94	1.34371
128	94	1.78825
129	94	2.04895
130	94	2.10986
131	94	1.99347
132	94	1.76338
133	94	1.39793
134	94	0.956787
135	94	0.505666
136	94	0.142253
137	94	-0.0343648
138	94	0.0525133
139	94	0.393883
140	94	0.919001
141	94	1.53712
142	94	2.1671
143	94	2.74986
144	94	3.25866
145	94	3.68154
146	94	4.00489
147	94	4.24088
148	94	4.37224
149	94	4.44369
150	94	4.4278
151	94	4.34597
152	94	4.20621
153	94	4.01745
154	94	3.7949
155	94	3.55115
156	94	3.29787
157	94	3.05643
158	94	2.83442
159	94	2.64585
160	94	2.50342
161	94	2.40975
162	94	2.38574
163	94	2.40554
164	94	2.47605
165	94	2.58167
166	94	2.716
167	94	2.87153
168	94	3.0282
169	94	3.19969
170	94	3.36304
171	94	3.5106
172	94	3.65061
173	94	3.78028
174	94	3.89393
175	94	3.9965
176	94	4.08936
177	94	4.16819
178	94	4.2394
179	94	4.29727
180	94	4.34771
-180	95	4.28697
-179	95	4.33102
-178	95	4.36539
-177	95	4.39494
-176	95	4.42024
-175	95	4.44067
-174	95	4.45797
-173	95	4.47307
-172	95	4.48731
-171	95	4.49552
-170	95	4.49523
-169	95	4.49768
-168	95	4.49219
-167	95	4.50972
-166	95	4.50074
-165	95	4.49558
-164	95	4.4849
-163	95	4.4629
-162	95	4.42901
-161	95	4.38479
-160	95	4.32904
-159	95	4.2556
-158	95	4.17141
-157	95	4.06067
-156	95	3.91682
-155	95	3.7937
-154	95	3.63922
-153	95	3.46245
-152	95	3.27445
-151	95	3.06956
-150	95	2.8618
-149	95	2.65723
-148	95	2.47909
-147	95	2.33677
-146	95	2.24361
-145	95	2.20882
-144	95	2.23449
-143	95	2.32333
-142	95	2.43905
-141	95	2.59679
-140	95	2.76145
-139	95	2.89639

-138	95	2.98678
-137	95	2.99441
-136	95	2.96038
-135	95	2.80248
-134	95	2.53946
-133	95	2.16981
-132	95	1.69532
-131	95	1.12008
-130	95	0.47761
-129	95	-0.169685
-128	95	-0.714986
-127	95	-1.05809
-126	95	-1.10594
-125	95	-0.853997
-124	95	-0.41289
-123	95	0.0843736
-122	95	0.527058
-121	95	0.841491
-120	95	0.978215
-119	95	0.910005
-118	95	0.610401
-117	95	0.0314599
-116	95	-0.855617
-115	95	-2.01248
-114	95	-3.46418
-113	95	-5.01228
-112	95	-6.1163
-111	95	-6.07281
-110	95	-4.98054
-109	95	-3.59974
-108	95	-2.49578
-107	95	-1.61574
-106	95	-1.08312
-105	95	-0.922142
-104	95	-1.13446
-103	95	-1.82211
-102	95	-2.94823
-101	95	-4.70588
-100	95	-7.35709
-99	95	-11.4004
-98	95	-15.0202
-97	95	-11.8798
-96	95	-7.91167
-95	95	-5.24868
-94	95	-3.5385
-93	95	-2.4844
-92	95	-2.02363
-91	95	-1.7272
-90	95	-2.15294
-89	95	-3.15535
-88	95	-4.82484
-87	95	-7.28983
-86	95	-11.6989
-85	95	-17.9136
-84	95	-13.7129
-83	95	-8.81712
-82	95	-5.54084
-81	95	-3.49003
-80	95	-2.17674
-79	95	-1.45794
-78	95	-1.25148
-77	95	-1.46823
-76	95	-2.12787
-75	95	-3.2468
-74	95	-4.827
-73	95	-6.69459
-72	95	-8.02663
-71	95	-6.89593
-70	95	-5.22199
-69	95	-3.52334
-68	95	-2.15008
-67	95	-1.15364
-66	95	-0.517663
-65	95	-0.217623
-64	95	-0.219941
-63	95	-0.505911
-62	95	-1.07486
-61	95	-1.83617
-60	95	-2.55836
-59	95	-3.07507
-58	95	-3.088
-57	95	-2.51807
-56	95	-1.59355
-55	95	-0.581441
-54	95	0.341013
-53	95	1.09005
-52	95	1.64546
-51	95	2.00142
-50	95	2.15893
-49	95	2.12721
-48	95	1.92642
-47	95	1.57558
-46	95	1.11506
-45	95	0.591384
-44	95	0.102478
-43	95	-0.229851
-42	95	-0.312765

-41	95	-0.0910635
-40	95	0.388314
-39	95	1.00731
-38	95	1.67895
-37	95	2.32928
-36	95	2.90644
-35	95	3.40333
-34	95	3.79919
-33	95	4.10121
-32	95	4.30858
-31	95	4.42753
-30	95	4.47323
-29	95	4.44107
-28	95	4.35121
-27	95	4.20763
-26	95	4.01962
-25	95	3.80449
-24	95	3.56929
-23	95	3.33529
-22	95	3.10808
-21	95	2.90746
-20	95	2.7467
-19	95	2.62333
-18	95	2.5559
-17	95	2.53239
-16	95	2.55849
-15	95	2.60883
-14	95	2.69625
-13	95	2.81768
-12	95	2.9542
-11	95	3.10121
-10	95	3.24637
-9	95	3.38546
-8	95	3.52637
-7	95	3.6577
-6	95	3.78093
-5	95	3.89245
-4	95	3.99328
-3	95	4.09435
-2	95	4.18106
-1	95	4.25102
0	95	4.30625
1	95	4.34355
2	95	4.38099
3	95	4.41621
4	95	4.45107
5	95	4.47826
6	95	4.50274
7	95	4.52064
8	95	4.53739
9	95	4.54833
10	95	4.55582
11	95	4.55955
12	95	4.56262
13	95	4.56477
14	95	4.56024
15	95	4.5573
16	95	4.54678
17	95	4.51632
18	95	4.47161
19	95	4.41449
20	95	4.34902
21	95	4.29365
22	95	4.18638
23	95	4.07763
24	95	3.95353
25	95	3.81487
26	95	3.65778
27	95	3.47962
28	95	3.29941
29	95	3.09941
30	95	2.9021
31	95	2.72037
32	95	2.56279
33	95	2.44352
34	95	2.36391
35	95	2.3332
36	95	2.3515
37	95	2.42639
38	95	2.53756
39	95	2.66937
40	95	2.79914
41	95	2.90433
42	95	2.96305
43	95	2.95881
44	95	2.87708
45	95	2.7024
46	95	2.43407
47	95	2.07095
48	95	1.61086
49	95	1.07085
50	95	0.490073
51	95	-0.0769847
52	95	-0.532884
53	95	-0.792045
54	95	-0.795103
55	95	-0.54606

56	95	-0.150085
57	95	0.294201
58	95	0.686216
59	95	0.958687
60	95	1.06031
61	95	0.951296
62	95	0.617081
63	95	0.0235924
64	95	-0.846923
65	95	-2.01428
66	95	-3.45039
67	95	-4.95868
68	95	-6.0135
69	95	-5.94129
70	95	-4.91538
71	95	-3.50011
72	95	-2.4659
73	95	-1.61778
74	95	-1.11536
75	95	-0.969045
76	95	-1.19562
77	95	-1.85452
78	95	-3.01098
79	95	-4.76282
80	95	-7.39652
81	95	-11.3767
82	95	-14.8621
83	95	-11.7875
84	95	-7.76199
85	95	-5.06432
86	95	-3.32258
87	95	-2.23272
88	95	-1.66408
89	95	-1.33896
90	95	-1.78281
91	95	-2.74932
92	95	-4.54315
93	95	-7.22432
94	95	-11.4234
95	95	-16.2964
96	95	-12.7509
97	95	-8.01837
98	95	-4.99497
99	95	-3.15175
100	95	-1.92803
101	95	-1.26748
102	95	-1.07522
103	95	-1.30185
104	95	-1.95238
105	95	-3.02397
106	95	-4.48544
107	95	-6.09928
108	95	-7.15005
109	95	-6.08304
110	95	-4.64049
111	95	-3.13396
112	95	-1.89098
113	95	-0.983151
114	95	-0.407028
115	95	-0.140701
116	95	-0.167126
117	95	-0.445867
118	95	-0.935093
119	95	-1.54299
120	95	-2.12078
121	95	-2.46786
122	95	-2.3911
123	95	-1.86536
124	95	-1.07249
125	95	-0.200141
126	95	0.589944
127	95	1.23877
128	95	1.70499
129	95	1.99694
130	95	2.09305
131	95	2.02532
132	95	1.81631
133	95	1.4667
134	95	1.02412
135	95	0.554324
136	95	0.162826
137	95	-0.0481854
138	95	-0.0201522
139	95	0.25979
140	95	0.745141
141	95	1.34031
142	95	1.96663
143	95	2.56176
144	95	3.08082
145	95	3.52202
146	95	3.86745
147	95	4.12236
148	95	4.27663
149	95	4.36784
150	95	4.37859
151	95	4.31509
152	95	4.19704

153	95	4.02618
154	95	3.82077
155	95	3.58856
156	95	3.34615
157	95	3.10827
158	95	2.88482
159	95	2.69241
160	95	2.54369
161	95	2.43865
162	95	2.39689
163	95	2.39763
164	95	2.47711
165	95	2.55431
166	95	2.67827
167	95	2.82087
168	95	2.97043
169	95	3.12467
170	95	3.28178
171	95	3.43224
172	95	3.5731
173	95	3.69769
174	95	3.81559
175	95	3.92149
176	95	4.01436
177	95	4.09804
178	95	4.17251
179	95	4.23752
180	95	4.28697
-180	96	4.22686
-179	96	4.2653
-178	96	4.30305
-177	96	4.34275
-176	96	4.37488
-175	96	4.39911
-174	96	4.42243
-173	96	4.4379
-172	96	4.45232
-171	96	4.46308
-170	96	4.46914
-169	96	4.47645
-168	96	4.46861
-167	96	4.48605
-166	96	4.47581
-165	96	4.47518
-164	96	4.46255
-163	96	4.44274
-162	96	4.41133
-161	96	4.36433
-160	96	4.30716
-159	96	4.23775
-158	96	4.1485
-157	96	4.03461
-156	96	3.88874
-155	96	3.76629
-154	96	3.61058
-153	96	3.43253
-152	96	3.23896
-151	96	3.03507
-150	96	2.82424
-149	96	2.61958
-148	96	2.43862
-147	96	2.29294
-146	96	2.2
-145	96	2.16096
-144	96	2.18034
-143	96	2.26477
-142	96	2.37447
-141	96	2.55011
-140	96	2.71151
-139	96	2.85515
-138	96	2.94438
-137	96	2.97072
-136	96	2.90828
-135	96	2.76548
-134	96	2.51027
-133	96	2.14431
-132	96	1.671
-131	96	1.09279
-130	96	0.445826
-129	96	-0.208918
-128	96	-0.764094
-127	96	-1.11892
-126	96	-1.17992
-125	96	-0.938302
-124	96	-0.499103
-123	96	0.00363885
-122	96	0.458855
-121	96	0.791996
-120	96	0.950917
-119	96	0.903551
-118	96	0.623724
-117	96	0.072618
-116	96	-0.763947
-115	96	-1.90362
-114	96	-3.30908
-113	96	-4.82286
-112	96	-5.6517

-111	96	-5.84439
-110	96	-5.03671
-109	96	-3.83255
-108	96	-2.62277
-107	96	-1.73734
-106	96	-1.18452
-105	96	-0.995271
-104	96	-1.19388
-103	96	-1.83023
-102	96	-2.92691
-101	96	-4.62831
-100	96	-7.17392
-99	96	-11.0636
-98	96	-14.8726
-97	96	-12.3034
-96	96	-8.24336
-95	96	-5.45584
-94	96	-3.66557
-93	96	-2.61957
-92	96	-2.00713
-91	96	-1.83313
-90	96	-2.08258
-89	96	-3.01673
-88	96	-4.66388
-87	96	-7.00559
-86	96	-11.2007
-85	96	-17.7425
-84	96	-14.7465
-83	96	-9.47104
-82	96	-5.97206
-81	96	-3.80065
-80	96	-2.41708
-79	96	-1.64361
-78	96	-1.38474
-77	96	-1.5518
-76	96	-2.14834
-75	96	-3.20493
-74	96	-4.71711
-73	96	-6.51819
-72	96	-7.89297
-71	96	-7.63531
-70	96	-5.94902
-69	96	-4.04364
-68	96	-2.4691
-67	96	-1.21908
-66	96	-0.571019
-65	96	-0.255915
-64	96	-0.248463
-63	96	-0.523791
-62	96	-1.06472
-61	96	-1.81994
-60	96	-2.56742
-59	96	-3.13039
-58	96	-3.20311
-57	96	-2.69097
-56	96	-1.78982
-55	96	-0.767441
-54	96	0.18528
-53	96	0.972416
-52	96	1.55908
-51	96	1.94556
-50	96	2.13628
-49	96	2.13796
-48	96	1.96299
-47	96	1.63072
-46	96	1.18962
-45	96	0.681279
-44	96	0.1757
-43	96	-0.206932
-42	96	-0.360112
-41	96	-0.218077
-40	96	0.199702
-39	96	0.798424
-38	96	1.45953
-37	96	2.11161
-36	96	2.70779
-35	96	3.21713
-34	96	3.63586
-33	96	3.95868
-32	96	4.19237
-31	96	4.34173
-30	96	4.40789
-29	96	4.40473
-28	96	4.33148
-27	96	4.21003
-26	96	4.03575
-25	96	3.83144
-24	96	3.60831
-23	96	3.37356
-22	96	3.15192
-21	96	2.95351
-20	96	2.78593
-19	96	2.66017
-18	96	2.58425
-17	96	2.54555
-16	96	2.55505
-15	96	2.5924

-14	96	2.65826
-13	96	2.76885
-12	96	2.90475
-11	96	3.05216
-10	96	3.19315
-9	96	3.33063
-8	96	3.47065
-7	96	3.6047
-6	96	3.73266
-5	96	3.83721
-4	96	3.92489
-3	96	4.01675
-2	96	4.09577
-1	96	4.1669
0	96	4.23138
1	96	4.27485
2	96	4.31937
3	96	4.35608
4	96	4.39223
5	96	4.41965
6	96	4.44607
7	96	4.46474
8	96	4.48355
9	96	4.49906
10	96	4.51217
11	96	4.5215
12	96	4.52371
13	96	4.52115
14	96	4.51262
15	96	4.50816
16	96	4.49285
17	96	4.4631
18	96	4.42281
19	96	4.36696
20	96	4.30418
21	96	4.25536
22	96	4.1433
23	96	4.03629
24	96	3.91132
25	96	3.76739
26	96	3.60656
27	96	3.42758
28	96	3.24626
29	96	3.04314
30	96	2.8504
31	96	2.67097
32	96	2.5141
33	96	2.3945
34	96	2.31782
35	96	2.28535
36	96	2.30498
37	96	2.37991
38	96	2.4917
39	96	2.62645
40	96	2.75947
41	96	2.86527
42	96	2.92213
43	96	2.91574
44	96	2.82955
45	96	2.65452
46	96	2.38979
47	96	2.02733
48	96	1.56592
49	96	1.02364
50	96	0.429884
51	96	-0.152476
52	96	-0.637135
53	96	-0.918504
54	96	-0.923871
55	96	-0.673825
56	96	-0.257312
57	96	0.206327
58	96	0.613607
59	96	0.90269
60	96	1.02279
61	96	0.936776
62	96	0.629062
63	96	0.0699894
64	96	-0.758583
65	96	-1.88
66	96	-3.25922
67	96	-4.72877
68	96	-5.49666
69	96	-5.66565
70	96	-4.918
71	96	-3.71085
72	96	-2.5942
73	96	-1.74825
74	96	-1.22952
75	96	-1.06984
76	96	-1.28678
77	96	-1.92743
78	96	-3.04407
79	96	-4.74042
80	96	-7.29706
81	96	-11.2274
82	96	-14.9198

83	96	-12.1842
84	96	-8.10651
85	96	-5.30219
86	96	-3.4799
87	96	-2.30156
88	96	-1.6904
89	96	-1.47539
90	96	-1.73098
91	96	-2.64552
92	96	-4.38781
93	96	-7.00766
94	96	-11.1158
95	96	-16.6994
96	96	-13.6136
97	96	-8.60354
98	96	-5.37494
99	96	-3.36388
100	96	-2.15507
101	96	-1.42936
102	96	-1.19848
103	96	-1.38372
104	96	-1.98608
105	96	-3.0054
106	96	-4.41313
107	96	-5.98063
108	96	-7.19528
109	96	-6.81849
110	96	-5.36477
111	96	-3.67908
112	96	-2.24518
113	96	-1.09008
114	96	-0.498515
115	96	-0.219134
116	96	-0.225799
117	96	-0.485678
118	96	-0.95461
119	96	-1.56422
120	96	-2.17665
121	96	-2.57926
122	96	-2.56181
123	96	-2.07467
124	96	-1.29107
125	96	-0.398617
126	96	0.420687
127	96	1.11727
128	96	1.60548
129	96	1.9275
130	96	2.05867
131	96	2.02034
132	96	1.82501
133	96	1.51065
134	96	1.07116
135	96	0.602044
136	96	0.181506
137	96	-0.0905667
138	96	-0.132204
139	96	0.0856865
140	96	0.532969
141	96	1.12535
142	96	1.75116
143	96	2.34816
144	96	2.88388
145	96	3.33738
146	96	3.70763
147	96	3.98597
148	96	4.16745
149	96	4.28329
150	96	4.31342
151	96	4.27929
152	96	4.17928
153	96	4.03372
154	96	3.84383
155	96	3.62796
156	96	3.40244
157	96	3.16885
158	96	2.95231
159	96	2.76269
160	96	2.60296
161	96	2.48966
162	96	2.43079
163	96	2.42688
164	96	2.46584
165	96	2.54185
166	96	2.64284
167	96	2.77245
168	96	2.91014
169	96	3.05494
170	96	3.20306
171	96	3.34576
172	96	3.48521
173	96	3.61668
174	96	3.7409
175	96	3.8499
176	96	3.94713
177	96	4.0329
178	96	4.10477
179	96	4.17485

180	96	4.22686
-180	97	4.17649
-179	97	4.21745
-178	97	4.26462
-177	97	4.2992
-176	97	4.33492
-175	97	4.36151
-174	97	4.38553
-173	97	4.407
-172	97	4.42443
-171	97	4.4391
-170	97	4.44629
-169	97	4.45069
-168	97	4.44075
-167	97	4.45691
-166	97	4.44136
-165	97	4.44844
-164	97	4.43125
-163	97	4.41229
-162	97	4.38012
-161	97	4.32771
-160	97	4.26947
-159	97	4.19759
-158	97	4.10368
-157	97	3.99837
-156	97	3.85851
-155	97	3.72535
-154	97	3.55402
-153	97	3.37476
-152	97	3.18019
-151	97	2.97584
-150	97	2.7657
-149	97	2.56353
-148	97	2.37806
-147	97	2.23119
-146	97	2.13564
-145	97	2.10094
-144	97	2.12528
-143	97	2.2037
-142	97	2.33818
-141	97	2.50393
-140	97	2.674
-139	97	2.82181
-138	97	2.90883
-137	97	2.94047
-136	97	2.89115
-135	97	2.7468
-134	97	2.4923
-133	97	2.12689
-132	97	1.65006
-131	97	1.0682
-130	97	0.412045
-129	97	-0.253955
-128	97	-0.826136
-127	97	-1.19536
-126	97	-1.27345
-125	97	-1.04077
-124	97	-0.601378
-123	97	-0.0938045
-122	97	0.372396
-121	97	0.718641
-120	97	0.894391
-119	97	0.867652
-118	97	0.617008
-117	97	0.0889929
-116	97	-0.710174
-115	97	-1.73832
-114	97	-3.00423
-113	97	-4.3774
-112	97	-5.49126
-111	97	-5.76851
-110	97	-5.06146
-109	97	-3.90791
-108	97	-2.71675
-107	97	-1.82603
-106	97	-1.25734
-105	97	-1.04926
-104	97	-1.21669
-103	97	-1.80376
-102	97	-2.82835
-101	97	-4.48996
-100	97	-6.9355
-99	97	-10.691
-98	97	-14.6135
-97	97	-12.6639
-96	97	-8.6256
-95	97	-5.76605
-94	97	-3.87173
-93	97	-2.77116
-92	97	-2.09693
-91	97	-1.94442
-90	97	-2.07194
-89	97	-2.96972
-88	97	-4.54928
-87	97	-6.7858
-86	97	-10.7614
-85	97	-17.5289

-84	97	-16.7121
-83	97	-10.1186
-82	97	-6.36947
-81	97	-4.0647
-80	97	-2.58702
-79	97	-1.75665
-78	97	-1.4237
-77	97	-1.563
-76	97	-2.1152
-75	97	-3.10854
-74	97	-4.54294
-73	97	-6.24884
-72	97	-7.65825
-71	97	-7.61944
-70	97	-6.11014
-69	97	-4.25226
-68	97	-2.65772
-67	97	-1.46567
-66	97	-0.658506
-65	97	-0.202062
-64	97	-0.0662227
-63	97	-0.531588
-62	97	-1.05704
-61	97	-1.79564
-60	97	-2.55454
-59	97	-3.17709
-58	97	-3.32493
-57	97	-2.86736
-56	97	-1.98346
-55	97	-0.95062
-54	97	0.0239929
-53	97	0.837297
-52	97	1.45533
-51	97	1.87285
-50	97	2.08727
-49	97	2.11271
-48	97	1.96489
-47	97	1.65463
-46	97	1.21907
-45	97	0.706192
-44	97	0.184766
-43	97	-0.239652
-42	97	-0.465881
-41	97	-0.399303
-40	97	-0.0537722
-39	97	0.500509
-38	97	1.15814
-37	97	1.81945
-36	97	2.43941
-35	97	2.98189
-34	97	3.43126
-33	97	3.78687
-32	97	4.04764
-31	97	4.22273
-30	97	4.3148
-29	97	4.33818
-28	97	4.29139
-27	97	4.19399
-26	97	4.04887
-25	97	3.86774
-24	97	3.65854
-23	97	3.44043
-22	97	3.22769
-21	97	3.02795
-20	97	2.86452
-19	97	2.73568
-18	97	2.65865
-17	97	2.60744
-16	97	2.59952
-15	97	2.62158
-14	97	2.66983
-13	97	2.76327
-12	97	2.88815
-11	97	3.02219
-10	97	3.15279
-9	97	3.28634
-8	97	3.41509
-7	97	3.5371
-6	97	3.65536
-5	97	3.77093
-4	97	3.85499
-3	97	3.96662
-2	97	4.0421
-1	97	4.11394
0	97	4.18023
1	97	4.22421
2	97	4.27226
3	97	4.31115
4	97	4.35207
5	97	4.37997
6	97	4.40405
7	97	4.42614
8	97	4.44505
9	97	4.4634
10	97	4.47407
11	97	4.48287
12	97	4.4871

13	97	4.48905
14	97	4.48535
15	97	4.48235
16	97	4.46452
17	97	4.43791
18	97	4.40104
19	97	4.34415
20	97	4.28364
21	97	4.23105
22	97	4.10693
23	97	3.99745
24	97	3.86281
25	97	3.7079
26	97	3.53178
27	97	3.35186
28	97	3.16746
29	97	2.96082
30	97	2.77161
31	97	2.5981
32	97	2.44226
33	97	2.32718
34	97	2.25265
35	97	2.22723
36	97	2.25169
37	97	2.33319
38	97	2.44813
39	97	2.58341
40	97	2.71257
41	97	2.81752
42	97	2.87333
43	97	2.87067
44	97	2.78964
45	97	2.62348
46	97	2.35987
47	97	1.99586
48	97	1.52697
49	97	0.972533
50	97	0.37053
51	97	-0.235493
52	97	-0.745172
53	97	-1.03434
54	97	-1.0617
55	97	-0.827503
56	97	-0.409327
57	97	0.0608497
58	97	0.488674
59	97	0.800816
60	97	0.943633
61	97	0.880301
62	97	0.593802
63	97	0.0621313
64	97	-0.731917
65	97	-1.73642
66	97	-2.96794
67	97	-4.2859
68	97	-5.30858
69	97	-5.55724
70	97	-4.86844
71	97	-3.75182
72	97	-2.65624
73	97	-1.81448
74	97	-1.28784
75	97	-1.11642
76	97	-1.31709
77	97	-1.93224
78	97	-2.99667
79	97	-4.5964
80	97	-7.09582
81	97	-10.9128
82	97	-15.0954
83	97	-12.8129
84	97	-8.57116
85	97	-5.61756
86	97	-3.67911
87	97	-2.4871
88	97	-1.82635
89	97	-1.61501
90	97	-1.76403
91	97	-2.64664
92	97	-4.3386
93	97	-6.88109
94	97	-10.9178
95	97	-16.9038
96	97	-14.391
97	97	-9.04559
98	97	-5.78416
99	97	-3.63369
100	97	-2.2773
101	97	-1.57405
102	97	-1.28616
103	97	-1.41659
104	97	-1.96488
105	97	-2.87842
106	97	-4.25593
107	97	-5.79489
108	97	-6.93621
109	97	-6.83321

110	97	-5.51234
111	97	-3.85909
112	97	-2.41193
113	97	-1.3154
114	97	-0.572868
115	97	-0.155935
116	97	-0.0324086
117	97	-0.502023
118	97	-0.956321
119	97	-1.56806
120	97	-2.20083
121	97	-2.65514
122	97	-2.70183
123	97	-2.26503
124	97	-1.49353
125	97	-0.582812
126	97	0.260719
127	97	0.991425
128	97	1.50304
129	97	1.85431
130	97	2.01135
131	97	1.99757
132	97	1.82494
133	97	1.51173
134	97	1.08657
135	97	0.612748
136	97	0.152213
137	97	-0.176302
138	97	-0.290229
139	97	-0.125303
140	97	0.276291
141	97	0.841279
142	97	1.47147
143	97	2.08888
144	97	2.65749
145	97	3.15048
146	97	3.55231
147	97	3.85784
148	97	4.06604
149	97	4.20038
150	97	4.25769
151	97	4.25143
152	97	4.17578
153	97	4.0485
154	97	3.87812
155	97	3.68016
156	97	3.46265
157	97	3.24195
158	97	3.02973
159	97	2.84079
160	97	2.68474
161	97	2.55058
162	97	2.48453
163	97	2.46347
164	97	2.4842
165	97	2.5479
166	97	2.63815
167	97	2.75741
168	97	2.88553
169	97	3.01866
170	97	3.15659
171	97	3.29891
172	97	3.43179
173	97	3.55625
174	97	3.67695
175	97	3.7881
176	97	3.88929
177	97	3.98215
178	97	4.05711
179	97	4.12469
180	97	4.17649
-180	98	4.14628
-179	98	4.19135
-178	98	4.23051
-177	98	4.26944
-176	98	4.30902
-175	98	4.33782
-174	98	4.36352
-173	98	4.38668
-172	98	4.40626
-171	98	4.42254
-170	98	4.43544
-169	98	4.44003
-168	98	4.43385
-167	98	4.438
-166	98	4.4151
-165	98	4.429
-164	98	4.40592
-163	98	4.38159
-162	98	4.34685
-161	98	4.2997
-160	98	4.23381
-159	98	4.16021
-158	98	4.0691
-157	98	3.95619
-156	98	3.8186
-155	98	3.66552

-154	98	3.49099
-153	98	3.30646
-152	98	3.11202
-151	98	2.903
-150	98	2.69301
-149	98	2.48652
-148	98	2.30367
-147	98	2.16109
-146	98	2.06934
-145	98	2.04292
-144	98	2.07742
-143	98	2.16947
-142	98	2.29691
-141	98	2.47161
-140	98	2.64585
-139	98	2.78733
-138	98	2.88528
-137	98	2.9163
-136	98	2.87152
-135	98	2.72456
-134	98	2.46959
-133	98	2.10106
-132	98	1.62004
-131	98	1.03912
-130	98	0.374297
-129	98	-0.305776
-128	98	-0.900464
-127	98	-1.29277
-126	98	-1.38945
-125	98	-1.16941
-124	98	-0.730785
-123	98	-0.218694
-122	98	0.258448
-121	98	0.436727
-120	98	0.645482
-119	98	0.673288
-118	98	0.466315
-117	98	0.00690136
-116	98	-0.716153
-115	98	-1.69813
-114	98	-2.91478
-113	98	-4.25512
-112	98	-5.36748
-111	98	-5.69641
-110	98	-5.07897
-109	98	-3.97356
-108	98	-2.80909
-107	98	-1.90685
-106	98	-1.32014
-105	98	-1.08887
-104	98	-1.22946
-103	98	-1.77892
-102	98	-2.75931
-101	98	-4.34437
-100	98	-6.66278
-99	98	-10.2199
-98	98	-14.0847
-97	98	-12.9673
-96	98	-8.97529
-95	98	-6.0335
-94	98	-4.08893
-93	98	-2.96541
-92	98	-2.23918
-91	98	-2.03001
-90	98	-2.05968
-89	98	-2.95045
-88	98	-4.47808
-87	98	-6.65018
-86	98	-10.4451
-85	98	-17.1624
-84	98	-17.5999
-83	98	-10.6211
-82	98	-6.69336
-81	98	-4.30262
-80	98	-2.75754
-79	98	-1.87375
-78	98	-1.48322
-77	98	-1.56069
-76	98	-2.04091
-75	98	-2.95369
-74	98	-4.29757
-73	98	-5.93409
-72	98	-7.40136
-71	98	-7.6238
-70	98	-6.3103
-69	98	-4.50302
-68	98	-2.89206
-67	98	-1.66393
-66	98	-0.812866
-65	98	-0.307927
-64	98	-0.130338
-63	98	-0.249675
-62	98	-0.66793
-61	98	-1.33919
-60	98	-2.11675
-59	98	-2.87779
-58	98	-3.43949

-57	98	-3.03074
-56	98	-2.18074
-55	98	-1.15019
-54	98	-0.147034
-53	98	0.703666
-52	98	1.35631
-51	98	1.80983
-50	98	2.06295
-49	98	2.12198
-48	98	2.00091
-47	98	1.71769
-46	98	1.30647
-45	98	0.800145
-44	98	0.261772
-43	98	-0.210112
-42	98	-0.506801
-41	98	-0.532753
-40	98	-0.253879
-39	98	0.253652
-38	98	0.895605
-37	98	1.56636
-36	98	2.20081
-35	98	2.76344
-34	98	3.24184
-33	98	3.62217
-32	98	3.91584
-31	98	4.11475
-30	98	4.2385
-29	98	4.27974
-28	98	4.26119
-27	98	4.18228
-26	98	4.06716
-25	98	3.91059
-24	98	3.73049
-23	98	3.5432
-22	98	3.34765
-21	98	3.15824
-20	98	2.9889
-19	98	2.84558
-18	98	2.75008
-17	98	2.68959
-16	98	2.68099
-15	98	2.6971
-14	98	2.73347
-13	98	2.80847
-12	98	2.90979
-11	98	3.0219
-10	98	3.13745
-9	98	3.25757
-8	98	3.38624
-7	98	3.50778
-6	98	3.62349
-5	98	3.73862
-4	98	3.81549
-3	98	3.92893
-2	98	4.01443
-1	98	4.08736
0	98	4.1571
1	98	4.20353
2	98	4.25391
3	98	4.29477
4	98	4.34034
5	98	4.36863
6	98	4.39528
7	98	4.41909
8	98	4.43987
9	98	4.45775
10	98	4.46897
11	98	4.47832
12	98	4.48448
13	98	4.48562
14	98	4.48044
15	98	4.4763
16	98	4.45408
17	98	4.42311
18	98	4.38308
19	98	4.32867
20	98	4.25974
21	98	4.19802
22	98	4.06979
23	98	3.94873
24	98	3.80934
25	98	3.64729
26	98	3.47006
27	98	3.27938
28	98	3.08695
29	98	2.8787
30	98	2.68392
31	98	2.50622
32	98	2.35422
33	98	2.24411
34	98	2.17272
35	98	2.15248
36	98	2.18199
37	98	2.26639
38	98	2.38432
39	98	2.52272

40	98	2.65907
41	98	2.76844
42	98	2.83151
43	98	2.83315
44	98	2.75983
45	98	2.59762
46	98	2.33461
47	98	1.97149
48	98	1.50414
49	98	0.94796
50	98	0.324383
51	98	-0.294023
52	98	-0.828115
53	98	-1.16593
54	98	-1.20597
55	98	-0.978386
56	98	-0.564328
57	98	-0.093615
58	98	0.338787
59	98	0.476574
60	98	0.642037
61	98	0.625602
62	98	0.404986
63	98	-0.0494138
64	98	-0.763556
65	98	-1.73401
66	98	-2.92746
67	98	-4.20776
68	98	-5.20495
69	98	-5.49768
70	98	-4.84805
71	98	-3.79569
72	98	-2.72261
73	98	-1.87604
74	98	-1.33341
75	98	-1.13453
76	98	-1.30519
77	98	-1.88661
78	98	-2.90441
79	98	-4.4238
80	98	-6.77118
81	98	-10.4263
82	98	-14.7518
83	98	-13.5181
84	98	-9.06868
85	98	-5.99162
86	98	-3.96912
87	98	-2.71116
88	98	-2.00032
89	98	-1.73627
90	98	-1.79833
91	98	-2.67629
92	98	-4.31681
93	98	-6.77319
94	98	-10.6947
95	98	-16.904
96	98	-15.3494
97	98	-9.59551
98	98	-6.13084
99	98	-3.86554
100	98	-2.42796
101	98	-1.66766
102	98	-1.32714
103	98	-1.40402
104	98	-1.89011
105	98	-2.78371
106	98	-4.05478
107	98	-5.55474
108	98	-6.67932
109	98	-6.89566
110	98	-5.64638
111	98	-4.10616
112	98	-2.64813
113	98	-1.51919
114	98	-0.731706
115	98	-0.27353
116	98	-0.115703
117	98	-0.233414
118	98	-0.59527
119	98	-1.15374
120	98	-1.81887
121	98	-2.43027
122	98	-2.84763
123	98	-2.46805
124	98	-1.7302
125	98	-0.812488
126	98	0.0590276
127	98	0.814273
128	98	1.35866
129	98	1.73943
130	98	1.93207
131	98	1.95049
132	98	1.80081
133	98	1.50734
134	98	1.09799
135	98	0.617349
136	98	0.147807

137	98	-0.240227
138	98	-0.420242
139	98	-0.333794
140	98	0.0150819
141	98	0.544172
142	98	1.16639
143	98	1.79936
144	98	2.38889
145	98	2.90633
146	98	3.34132
147	98	3.68081
148	98	3.93806
149	98	4.10795
150	98	4.20769
151	98	4.22438
152	98	4.17898
153	98	4.07233
154	98	3.93071
155	98	3.75612
156	98	3.56898
157	98	3.3513
158	98	3.14006
159	98	2.94598
160	98	2.78722
161	98	2.65578
162	98	2.57103
163	98	2.53338
164	98	2.54468
165	98	2.59317
166	98	2.66827
167	98	2.77673
168	98	2.89516
169	98	3.02048
170	98	3.14898
171	98	3.28079
172	98	3.40781
173	98	3.52742
174	98	3.64203
175	98	3.74758
176	98	3.84411
177	98	3.92781
178	98	4.01222
179	98	4.08029
180	98	4.14628
-180	99	4.12221
-179	99	4.16375
-178	99	4.2131
-177	99	4.25539
-176	99	4.29603
-175	99	4.32889
-174	99	4.35853
-173	99	4.38214
-172	99	4.40317
-171	99	4.41983
-170	99	4.43619
-169	99	4.44033
-168	99	4.43522
-167	99	4.43007
-166	99	4.42757
-165	99	4.4197
-164	99	4.39112
-163	99	4.36233
-162	99	4.32268
-161	99	4.27097
-160	99	4.20631
-159	99	4.13241
-158	99	4.03587
-157	99	3.91939
-156	99	3.77586
-155	99	3.61017
-154	99	3.43203
-153	99	3.2445
-152	99	3.0431
-151	99	2.82682
-150	99	2.61577
-149	99	2.41285
-148	99	2.23756
-147	99	2.10071
-146	99	2.01449
-145	99	1.98783
-144	99	2.02629
-143	99	2.1271
-142	99	2.26947
-141	99	2.42752
-140	99	2.59009
-139	99	2.74481
-138	99	2.84601
-137	99	2.87411
-136	99	2.83326
-135	99	2.69135
-134	99	2.44592
-133	99	2.07014
-132	99	1.59047
-131	99	1.00828
-130	99	0.342647
-129	99	-0.341322
-128	99	-0.948895

-127	99	-1.36185
-126	99	-1.48455
-125	99	-1.30912
-124	99	-0.961382
-123	99	-0.508825
-122	99	-0.056479
-121	99	0.313152
-120	99	0.539439
-119	99	0.561948
-118	99	0.375456
-117	99	-0.0572836
-116	99	-0.757603
-115	99	-1.70877
-114	99	-2.89281
-113	99	-4.20263
-112	99	-5.31284
-111	99	-5.66921
-110	99	-5.13527
-109	99	-4.0542
-108	99	-2.90632
-107	99	-1.99403
-106	99	-1.39702
-105	99	-1.14397
-104	99	-1.25508
-103	99	-1.74327
-102	99	-2.69907
-101	99	-4.22736
-100	99	-6.48883
-99	99	-9.81032
-98	99	-13.5377
-97	99	-13.0847
-96	99	-9.27644
-95	99	-6.29687
-94	99	-4.24892
-93	99	-3.1014
-92	99	-2.3352
-91	99	-2.08054
-90	99	-2.14673
-89	99	-2.94532
-88	99	-4.40287
-87	99	-6.50648
-86	99	-10.1412
-85	99	-16.5969
-84	99	-18.5427
-83	99	-11.1953
-82	99	-7.03101
-81	99	-4.51333
-80	99	-2.89657
-79	99	-1.95073
-78	99	-1.51219
-77	99	-1.52214
-76	99	-1.97271
-75	99	-2.82888
-74	99	-4.1025
-73	99	-5.70555
-72	99	-7.21237
-71	99	-7.6626
-70	99	-6.60306
-69	99	-4.86305
-68	99	-3.21824
-67	99	-1.9239
-66	99	-1.01436
-65	99	-0.455106
-64	99	-0.223397
-63	99	-0.295315
-62	99	-0.653451
-61	99	-1.261
-60	99	-2.0157
-59	99	-2.79601
-58	99	-3.31928
-57	99	-3.28742
-56	99	-2.708
-55	99	-1.80834
-54	99	-0.378027
-53	99	0.504718
-52	99	1.19562
-51	99	1.68554
-50	99	1.97301
-49	99	2.06865
-48	99	1.98283
-47	99	1.72557
-46	99	1.32653
-45	99	0.82414
-44	99	0.273529
-43	99	-0.241351
-42	99	-0.593404
-41	99	-0.685615
-40	99	-0.47933
-39	99	-0.0189032
-38	99	0.595497
-37	99	1.26602
-36	99	1.9181
-35	99	2.50829
-34	99	3.0166
-33	99	3.43356
-32	99	3.76577
-31	99	4.00568

-30	99	4.16441
-29	99	4.2477
-28	99	4.26059
-27	99	4.21699
-26	99	4.12465
-25	99	3.98197
-24	99	3.82018
-23	99	3.64266
-22	99	3.46569
-21	99	3.29616
-20	99	3.13054
-19	99	2.98561
-18	99	2.88
-17	99	2.80999
-16	99	2.78524
-15	99	2.80397
-14	99	2.84565
-13	99	2.91515
-12	99	2.99259
-11	99	3.08011
-10	99	3.17651
-9	99	3.27699
-8	99	3.3965
-7	99	3.51116
-6	99	3.6225
-5	99	3.73361
-4	99	3.80921
-3	99	3.91202
-2	99	4.00121
-1	99	4.07932
0	99	4.1273
1	99	4.19621
2	99	4.24628
3	99	4.28859
4	99	4.33488
5	99	4.36624
6	99	4.39739
7	99	4.42184
8	99	4.44666
9	99	4.46494
10	99	4.4771
11	99	4.48782
12	99	4.48921
13	99	4.48979
14	99	4.48289
15	99	4.47064
16	99	4.44223
17	99	4.40781
18	99	4.36308
19	99	4.30218
20	99	4.23336
21	99	4.16047
22	99	4.02421
23	99	3.9016
24	99	3.75798
25	99	3.59084
26	99	3.41147
27	99	3.21522
28	99	3.01256
29	99	2.80301
30	99	2.59604
31	99	2.41614
32	99	2.26875
33	99	2.16335
34	99	2.09877
35	99	2.08065
36	99	2.11549
37	99	2.20195
38	99	2.32015
39	99	2.46079
40	99	2.6021
41	99	2.71818
42	99	2.78703
43	99	2.79249
44	99	2.72072
45	99	2.55904
46	99	2.29969
47	99	1.94185
48	99	1.47832
49	99	0.927627
50	99	0.30721
51	99	-0.325468
52	99	-0.874108
53	99	-1.23787
54	99	-1.32544
55	99	-1.14465
56	99	-0.834857
57	99	-0.41979
58	99	-0.0116073
59	99	0.312237
60	99	0.488773
61	99	0.484519
62	99	0.276382
63	99	-0.169036
64	99	-0.859301
65	99	-1.79043
66	99	-2.93717

67	99	-4.18054
68	99	-5.15784
69	99	-5.49101
70	99	-4.86004
71	99	-3.87831
72	99	-2.80679
73	99	-1.95628
74	99	-1.40169
75	99	-1.18328
76	99	-1.32295
77	99	-1.86928
78	99	-2.80301
79	99	-4.23059
80	99	-6.50016
81	99	-9.94987
82	99	-14.0535
83	99	-13.8687
84	99	-9.49611
85	99	-6.3499
86	99	-4.19773
87	99	-2.94127
88	99	-2.17802
89	99	-1.92386
90	99	-1.93134
91	99	-2.69294
92	99	-4.2624
93	99	-6.62029
94	99	-10.3828
95	99	-16.577
96	99	-16.0889
97	99	-9.98304
98	99	-6.36065
99	99	-4.02797
100	99	-2.57087
101	99	-1.7033
102	99	-1.35939
103	99	-1.39411
104	99	-1.8281
105	99	-2.66161
106	99	-3.8748
107	99	-5.35259
108	99	-6.67199
109	99	-7.0349
110	99	-6.02275
111	99	-4.45177
112	99	-2.95473
113	99	-1.76475
114	99	-0.937023
115	99	-0.423032
116	99	-0.237401
117	99	-0.318239
118	99	-0.64145
119	99	-1.17018
120	99	-1.82303
121	99	-2.46115
122	99	-2.84752
123	99	-2.79261
124	99	-2.29196
125	99	-1.46897
126	99	-0.167631
127	99	0.608711
128	99	1.19605
129	99	1.61175
130	99	1.83828
131	99	1.89083
132	99	1.77693
133	99	1.50814
134	99	1.11099
135	99	0.635905
136	99	0.142983
137	99	-0.284511
138	99	-0.4857
139	99	-0.514058
140	99	-0.233898
141	99	0.262525
142	99	0.873964
143	99	1.51784
144	99	2.12921
145	99	2.67338
146	99	3.13614
147	99	3.50741
148	99	3.7947
149	99	3.99212
150	99	4.11534
151	99	4.16764
152	99	4.15619
153	99	4.09475
154	99	3.96723
155	99	3.85394
156	99	3.67047
157	99	3.47955
158	99	3.2867
159	99	3.11382
160	99	2.95382
161	99	2.81646
162	99	2.71919
163	99	2.66498

164	99	2.65855
165	99	2.69016
166	99	2.74746
167	99	2.83174
168	99	2.93108
169	99	3.04263
170	99	3.16015
171	99	3.28075
172	99	3.40042
173	99	3.51553
174	99	3.62566
175	99	3.72861
176	99	3.82596
177	99	3.90361
178	99	3.985
179	99	4.04682
180	99	4.12221
-180	100	4.10408
-179	100	4.15518
-178	100	4.20375
-177	100	4.24705
-176	100	4.28793
-175	100	4.32359
-174	100	4.36133
-173	100	4.38386
-172	100	4.40636
-171	100	4.42571
-170	100	4.44162
-169	100	4.44199
-168	100	4.4425
-167	100	4.43066
-166	100	4.44127
-165	100	4.41223
-164	100	4.38039
-163	100	4.34607
-162	100	4.29945
-161	100	4.24449
-160	100	4.18536
-159	100	4.09999
-158	100	3.99592
-157	100	3.86703
-156	100	3.72771
-155	100	3.55739
-154	100	3.37488
-153	100	3.17517
-152	100	2.96652
-151	100	2.75251
-150	100	2.53612
-149	100	2.33375
-148	100	2.15775
-147	100	2.02426
-146	100	1.94513
-145	100	1.92208
-144	100	1.96342
-143	100	2.06852
-142	100	2.21225
-141	100	2.38876
-140	100	2.56824
-139	100	2.70651
-138	100	2.80644
-137	100	2.84043
-136	100	2.7987
-135	100	2.65708
-134	100	2.40379
-133	100	2.03725
-132	100	1.56002
-131	100	0.980737
-130	100	0.515452
-129	100	-0.135781
-128	100	-0.762893
-127	100	-1.22853
-126	100	-1.46748
-125	100	-1.40169
-124	100	-1.08375
-123	100	-0.638101
-122	100	-0.180059
-121	100	0.199961
-120	100	0.417252
-119	100	0.453431
-118	100	0.285012
-117	100	-0.138782
-116	100	-0.813419
-115	100	-1.74413
-114	100	-2.91143
-113	100	-4.21217
-112	100	-5.33404
-111	100	-5.73531
-110	100	-5.25209
-109	100	-4.18731
-108	100	-3.05269
-107	100	-2.11821
-106	100	-1.50016
-105	100	-1.22314
-104	100	-1.30935
-103	100	-1.76849
-102	100	-2.68147
-101	100	-4.15614

-100	100	-6.34121
-99	100	-9.45902
-98	100	-13.0668
-97	100	-13.1112
-96	100	-9.48964
-95	100	-6.49015
-94	100	-4.36723
-93	100	-3.17537
-92	100	-2.40203
-91	100	-2.1123
-90	100	-2.33014
-89	100	-2.86442
-88	100	-4.20683
-87	100	-6.22741
-86	100	-9.77241
-85	100	-15.978
-84	100	-19.3248
-83	100	-11.7844
-82	100	-7.40744
-81	100	-4.76859
-80	100	-3.07651
-79	100	-2.08
-78	100	-1.56593
-77	100	-1.49745
-76	100	-1.8775
-75	100	-2.67124
-74	100	-3.8768
-73	100	-5.47487
-72	100	-7.06409
-71	100	-7.76366
-70	100	-6.90424
-69	100	-5.19819
-68	100	-3.52391
-67	100	-2.18771
-66	100	-1.23143
-65	100	-0.639249
-64	100	-0.362116
-63	100	-0.387586
-62	100	-0.694917
-61	100	-1.25061
-60	100	-1.9741
-59	100	-2.72665
-58	100	-3.31075
-57	100	-3.39907
-56	100	-2.90031
-55	100	-2.03533
-54	100	-1.04512
-53	100	-0.102278
-52	100	0.690711
-51	100	1.2964
-50	100	1.70268
-49	100	2.01673
-48	100	1.95787
-47	100	1.73273
-46	100	1.36763
-45	100	0.885877
-44	100	0.34294
-43	100	-0.196792
-42	100	-0.619154
-41	100	-0.811224
-40	100	-0.684591
-39	100	-0.280285
-38	100	0.3134
-37	100	0.989993
-36	100	1.66002
-35	100	2.27919
-34	100	2.81896
-33	100	3.26874
-32	100	3.62944
-31	100	3.90128
-30	100	4.0902
-29	100	4.20577
-28	100	4.25789
-27	100	4.25274
-26	100	4.20162
-25	100	4.09075
-24	100	3.94721
-23	100	3.78963
-22	100	3.61905
-21	100	3.45281
-20	100	3.29735
-19	100	3.15737
-18	100	3.04263
-17	100	2.97239
-16	100	2.9233
-15	100	2.91559
-14	100	2.92976
-13	100	2.97107
-12	100	3.03297
-11	100	3.11437
-10	100	3.21132
-9	100	3.31389
-8	100	3.42987
-7	100	3.54054
-6	100	3.64094
-5	100	3.73483
-4	100	3.80425

-3	100	3.90034
-2	100	3.9871
-1	100	4.07005
0	100	4.13053
1	100	4.18733
2	100	4.23361
3	100	4.27637
4	100	4.32138
5	100	4.35695
6	100	4.3924
7	100	4.41597
8	100	4.44254
9	100	4.46422
10	100	4.47719
11	100	4.48834
12	100	4.49474
13	100	4.4932
14	100	4.48397
15	100	4.46913
16	100	4.43662
17	100	4.39807
18	100	4.34505
19	100	4.27935
20	100	4.21475
21	100	4.1208
22	100	3.9817
23	100	3.8553
24	100	3.70163
25	100	3.52604
26	100	3.34008
27	100	3.13448
28	100	2.93469
29	100	2.73332
30	100	2.52421
31	100	2.34596
32	100	2.19839
33	100	2.09314
34	100	2.03357
35	100	2.02019
36	100	2.06023
37	100	2.14684
38	100	2.26869
39	100	2.4104
40	100	2.56193
41	100	2.66561
42	100	2.73342
43	100	2.73961
44	100	2.66878
45	100	2.50945
46	100	2.25471
47	100	1.90041
48	100	1.44163
49	100	0.893225
50	100	0.474579
51	100	-0.119655
52	100	-0.681755
53	100	-1.10239
54	100	-1.3081
55	100	-1.25018
56	100	-0.974857
57	100	-0.584277
58	100	-0.187074
59	100	0.140519
60	100	0.325408
61	100	0.339044
62	100	0.143361
63	100	-0.28731
64	100	-0.96191
65	100	-1.88347
66	100	-3.02106
67	100	-4.25194
68	100	-5.20027
69	100	-5.51604
70	100	-4.97113
71	100	-3.97465
72	100	-2.92748
73	100	-2.06917
74	100	-1.50447
75	100	-1.27658
76	100	-1.38875
77	100	-1.90672
78	100	-2.80367
79	100	-4.17656
80	100	-6.35296
81	100	-9.59546
82	100	-13.5823
83	100	-13.839
84	100	-9.85691
85	100	-6.64738
86	100	-4.49031
87	100	-3.08501
88	100	-2.285
89	100	-2.00516
90	100	-2.16453
91	100	-2.67254
92	100	-4.16443
93	100	-6.43732

94	100	-10.0895
95	100	-16.1097
96	100	-16.6238
97	100	-10.4999
98	100	-6.69784
99	100	-4.25691
100	100	-2.7336
101	100	-1.82369
102	100	-1.42447
103	100	-1.40867
104	100	-1.78902
105	100	-2.5657
106	100	-3.73237
107	100	-5.19567
108	100	-6.60531
109	100	-7.16953
110	100	-6.36285
111	100	-4.81875
112	100	-3.29035
113	100	-2.06033
114	100	-1.18003
115	100	-0.626495
116	100	-0.378586
117	100	-0.408492
118	100	-0.696181
119	100	-1.19267
120	100	-1.84391
121	100	-2.51835
122	100	-2.92794
123	100	-2.9532
124	100	-2.52238
125	100	-1.73192
126	100	-0.843188
127	100	-0.00985795
128	100	0.677031
129	100	1.20444
130	100	1.55445
131	100	1.82917
132	100	1.74556
133	100	1.50872
134	100	1.14152
135	100	0.675651
136	100	0.177014
137	100	-0.277062
138	100	-0.581983
139	100	-0.631226
140	100	-0.421443
141	100	0.0282519
142	100	0.622255
143	100	1.26779
144	100	1.89374
145	100	2.46314
146	100	2.95277
147	100	3.35445
148	100	3.66732
149	100	3.89882
150	100	4.05287
151	100	4.13589
152	100	4.16679
153	100	4.12069
154	100	4.03808
155	100	3.91476
156	100	3.76242
157	100	3.60215
158	100	3.43056
159	100	3.26711
160	100	3.11891
161	100	2.98845
162	100	2.88691
163	100	2.83263
164	100	2.81805
165	100	2.83494
166	100	2.8706
167	100	2.93152
168	100	3.00949
169	100	3.09816
170	100	3.19775
171	100	3.30121
172	100	3.40802
173	100	3.51308
174	100	3.61874
175	100	3.72025
176	100	3.81194
177	100	3.89788
178	100	3.96942
179	100	4.04482
180	100	4.10408
-180	101	4.10302
-179	101	4.15124
-178	101	4.19825
-177	101	4.24159
-176	101	4.28409
-175	101	4.32167
-174	101	4.35671
-173	101	4.38329
-172	101	4.40527
-171	101	4.42849

-170	101	4.44929
-169	101	4.44532
-168	101	4.44219
-167	101	4.43649
-166	101	4.43312
-165	101	4.40912
-164	101	4.37011
-163	101	4.3333
-162	101	4.28507
-161	101	4.22634
-160	101	4.15668
-159	101	4.05917
-158	101	3.94856
-157	101	3.80013
-156	101	3.67215
-155	101	3.50156
-154	101	3.30517
-153	101	3.09632
-152	101	2.88201
-151	101	2.66234
-150	101	2.4489
-149	101	2.25067
-148	101	2.08218
-147	101	1.95882
-146	101	1.88425
-145	101	1.88146
-144	101	1.93549
-143	101	2.04432
-142	101	2.19319
-141	101	2.36086
-140	101	2.53569
-139	101	2.67442
-138	101	2.76637
-137	101	2.79956
-136	101	2.74789
-135	101	2.55703
-134	101	2.35082
-133	101	2.03769
-132	101	1.61507
-131	101	1.08843
-130	101	0.472879
-129	101	-0.183951
-128	101	-0.809964
-127	101	-1.28866
-126	101	-1.54513
-125	101	-1.49685
-124	101	-1.19676
-123	101	-0.759677
-122	101	-0.303761
-121	101	0.0721252
-120	101	0.304217
-119	101	0.363486
-118	101	0.196943
-117	101	-0.206707
-116	101	-0.863917
-115	101	-1.77711
-114	101	-2.92742
-113	101	-4.2246
-112	101	-5.37069
-111	101	-5.85174
-110	101	-5.41194
-109	101	-4.36348
-108	101	-3.24408
-107	101	-2.28742
-106	101	-1.65314
-105	101	-1.35225
-104	101	-1.38845
-103	101	-1.83631
-102	101	-2.71566
-101	101	-4.12574
-100	101	-6.22865
-99	101	-9.20365
-98	101	-12.6543
-97	101	-13.0513
-96	101	-9.66649
-95	101	-6.68973
-94	101	-4.60117
-93	101	-3.26205
-92	101	-2.44823
-91	101	-2.14236
-90	101	-2.32005
-89	101	-2.73288
-88	101	-4.06832
-87	101	-5.97801
-86	101	-9.30294
-85	101	-15.0261
-84	101	-19.9753
-83	101	-12.4429
-82	101	-7.7881
-81	101	-5.03053
-80	101	-3.28573
-79	101	-2.20893
-78	101	-1.6668
-77	101	-1.56264
-76	101	-1.87943
-75	101	-2.61538
-74	101	-3.73576

-73	101	-5.29316
-72	101	-6.92396
-71	101	-7.84181
-70	101	-7.21823
-69	101	-5.57209
-68	101	-3.85938
-67	101	-2.46208
-66	101	-1.44527
-65	101	-0.782155
-64	101	-0.466567
-63	101	-0.44602
-62	101	-0.708979
-61	101	-1.22061
-60	101	-1.92728
-59	101	-2.65944
-58	101	-3.2859
-57	101	-3.48553
-56	101	-3.10485
-55	101	-2.2983
-54	101	-1.32672
-53	101	-0.375247
-52	101	0.445173
-51	101	1.08599
-50	101	1.53545
-49	101	1.79593
-48	101	1.87794
-47	101	1.78922
-46	101	1.55755
-45	101	1.20892
-44	101	0.424696
-43	101	-0.124082
-42	101	-0.581772
-41	101	-0.847278
-40	101	-0.8163
-39	101	-0.484502
-38	101	0.068922
-37	101	0.732145
-36	101	1.4125
-35	101	2.04522
-34	101	2.6093
-33	101	3.08691
-32	101	3.48252
-31	101	3.79178
-30	101	4.01718
-29	101	4.16652
-28	101	4.24964
-27	101	4.26967
-26	101	4.2449
-25	101	4.15743
-24	101	4.04307
-23	101	3.90548
-22	101	3.75771
-21	101	3.6069
-20	101	3.45806
-19	101	3.32106
-18	101	3.20383
-17	101	3.13286
-16	101	3.06852
-15	101	3.05062
-14	101	3.04808
-13	101	3.06855
-12	101	3.11195
-11	101	3.18327
-10	101	3.26447
-9	101	3.34747
-8	101	3.43459
-7	101	3.51811
-6	101	3.6039
-5	101	3.6984
-4	101	3.78694
-3	101	3.87271
-2	101	3.98217
-1	101	4.05704
0	101	4.1198
1	101	4.16661
2	101	4.21546
3	101	4.2647
4	101	4.31139
5	101	4.35505
6	101	4.38645
7	101	4.41599
8	101	4.44186
9	101	4.46433
10	101	4.48157
11	101	4.49094
12	101	4.49472
13	101	4.49532
14	101	4.48959
15	101	4.47097
16	101	4.43162
17	101	4.3915
18	101	4.33386
19	101	4.26492
20	101	4.19698
21	101	4.09345
22	101	3.95365
23	101	3.82099

24	101	3.66054
25	101	3.48414
26	101	3.28766
27	101	3.07609
28	101	2.86993
29	101	2.65611
30	101	2.45723
31	101	2.27984
32	101	2.13581
33	101	2.03179
34	101	1.97076
35	101	1.97175
36	101	2.02326
37	101	2.11426
38	101	2.24155
39	101	2.37862
40	101	2.50833
41	101	2.61026
42	101	2.67347
43	101	2.67743
44	101	2.60761
45	101	2.39358
46	101	2.19057
47	101	1.8923
48	101	1.496
49	101	1.00686
50	101	0.443728
51	101	-0.149243
52	101	-0.705844
53	101	-1.1389
54	101	-1.35823
55	101	-1.32058
56	101	-1.07445
57	101	-0.708356
58	101	-0.324187
59	101	-0.00800438
60	101	0.184142
61	101	0.202594
62	101	0.012462
63	101	-0.400701
64	101	-1.05172
65	101	-1.95306
66	101	-3.07675
67	101	-4.32298
68	101	-5.32172
69	101	-5.67635
70	101	-5.17695
71	101	-4.15309
72	101	-3.0926
73	101	-2.22312
74	101	-1.64932
75	101	-1.41115
76	101	-1.49248
77	101	-1.9547
78	101	-2.80707
79	101	-4.1811
80	101	-6.21586
81	101	-9.243
82	101	-13.1681
83	101	-13.8174
84	101	-10.0976
85	101	-6.86747
86	101	-4.68742
87	101	-3.20861
88	101	-2.39024
89	101	-2.07505
90	101	-2.19106
91	101	-2.59811
92	101	-4.06662
93	101	-6.24216
94	101	-9.69234
95	101	-15.4436
96	101	-17.4143
97	101	-11.1228
98	101	-7.0793
99	101	-4.51173
100	101	-2.94556
101	101	-1.9796
102	101	-1.49047
103	101	-1.45493
104	101	-1.78579
105	101	-2.50889
106	101	-3.62511
107	101	-5.06191
108	101	-6.53615
109	101	-7.29075
110	101	-6.70201
111	101	-5.23041
112	101	-3.67727
113	101	-2.38675
114	101	-1.43604
115	101	-0.824787
116	101	-0.524069
117	101	-0.509671
118	101	-0.750432
119	101	-1.21267
120	101	-1.83053

121	101	-2.48654
122	101	-2.9825
123	101	-3.09578
124	101	-2.73449
125	101	-1.99128
126	101	-1.12343
127	101	-0.234651
128	101	0.472282
129	101	1.01539
130	101	1.40246
131	101	1.61939
132	101	1.67376
133	101	1.57238
134	101	1.34045
135	101	1.01015
136	101	0.244686
137	101	-0.225927
138	101	-0.573071
139	101	-0.707018
140	101	-0.564459
141	101	-0.227837
142	101	0.382381
143	101	1.01638
144	101	1.65417
145	101	2.2397
146	101	2.75627
147	101	3.18827
148	101	3.53844
149	101	3.8048
150	101	3.97775
151	101	4.11321
152	101	4.16815
153	101	4.16332
154	101	4.11149
155	101	4.00651
156	101	3.87882
157	101	3.73028
158	101	3.57779
159	101	3.41939
160	101	3.28501
161	101	3.19821
162	101	3.06114
163	101	2.99368
164	101	2.96052
165	101	2.96544
166	101	2.98637
167	101	3.0358
168	101	3.0947
169	101	3.1645
170	101	3.25271
171	101	3.33547
172	101	3.4268
173	101	3.51881
174	101	3.61703
175	101	3.7153
176	101	3.79952
177	101	3.88739
178	101	3.97028
179	101	4.03664
180	101	4.10302
-180	102	4.09147
-179	102	4.14316
-178	102	4.19149
-177	102	4.23672
-176	102	4.28239
-175	102	4.32439
-174	102	4.35052
-173	102	4.39543
-172	102	4.41127
-171	102	4.43373
-170	102	4.44994
-169	102	4.44498
-168	102	4.44373
-167	102	4.44401
-166	102	4.43999
-165	102	4.41458
-164	102	4.37734
-163	102	4.33232
-162	102	4.27275
-161	102	4.19992
-160	102	4.10957
-159	102	4.00946
-158	102	3.90014
-157	102	3.76457
-156	102	3.62374
-155	102	3.44312
-154	102	3.23726
-153	102	3.02709
-152	102	2.80751
-151	102	2.59228
-150	102	2.37852
-149	102	2.18741
-148	102	2.0259
-147	102	1.90883
-146	102	1.8405
-145	102	1.84091
-144	102	1.89563

-143	102	2.00616
-142	102	2.20593
-141	102	2.12248
-140	102	2.28422
-139	102	2.43054
-138	102	2.55726
-137	102	2.60819
-136	102	2.5973
-135	102	2.50472
-134	102	2.29988
-133	102	1.99151
-132	102	1.57026
-131	102	1.05112
-130	102	0.441044
-129	102	-0.214781
-128	102	-0.840919
-127	102	-1.32633
-126	102	-1.59742
-125	102	-1.57173
-124	102	-1.29055
-123	102	-0.868819
-122	102	-0.41266
-121	102	-0.0343756
-120	102	0.209733
-119	102	0.2665
-118	102	0.11636
-117	102	-0.265773
-116	102	-0.897769
-115	102	-1.78637
-114	102	-2.90985
-113	102	-4.19
-112	102	-5.34407
-111	102	-5.89013
-110	102	-5.52545
-109	102	-4.5258
-108	102	-3.43314
-107	102	-2.46189
-106	102	-1.81276
-105	102	-1.4777
-104	102	-1.51406
-103	102	-1.94068
-102	102	-2.7899
-101	102	-4.16752
-100	102	-6.19498
-99	102	-9.0808
-98	102	-12.4471
-97	102	-13.0735
-96	102	-9.80868
-95	102	-6.81115
-94	102	-4.72622
-93	102	-3.36996
-92	102	-2.48511
-91	102	-2.15639
-90	102	-2.2802
-89	102	-2.62834
-88	102	-3.90611
-87	102	-5.65311
-86	102	-8.80858
-85	102	-14.1841
-84	102	-20.4149
-83	102	-13.4317
-82	102	-8.39101
-81	102	-5.40844
-80	102	-3.53048
-79	102	-2.3776
-78	102	-1.76873
-77	102	-1.60724
-76	102	-1.86743
-75	102	-2.54381
-74	102	-3.62299
-73	102	-5.13493
-72	102	-6.80715
-71	102	-7.92867
-70	102	-7.54777
-69	102	-5.98354
-68	102	-4.24337
-67	102	-2.79065
-66	102	-1.6913
-65	102	-0.988393
-64	102	-0.599511
-63	102	-0.51527
-62	102	-0.71602
-61	102	-1.1775
-60	102	-1.85304
-59	102	-2.59128
-58	102	-3.25946
-57	102	-3.55904
-56	102	-3.29624
-55	102	-2.56722
-54	102	-1.62978
-53	102	-0.675496
-52	102	0.178077
-51	102	0.871387
-50	102	1.3785
-49	102	1.68726
-48	102	1.8118
-47	102	1.76958

-46	102	1.57624
-45	102	1.25849
-44	102	0.860366
-43	102	0.405222
-42	102	-0.025044
-41	102	-0.353527
-40	102	-0.488973
-39	102	-0.393973
-38	102	-0.172877
-37	102	0.461695
-36	102	1.14032
-35	102	1.79646
-34	102	2.3808
-33	102	2.8938
-32	102	3.3168
-31	102	3.65862
-30	102	3.917
-29	102	4.10488
-28	102	4.2213
-27	102	4.28286
-26	102	4.28303
-25	102	4.22317
-24	102	4.13345
-23	102	4.01839
-22	102	3.89419
-21	102	3.76154
-20	102	3.62451
-19	102	3.49146
-18	102	3.37236
-17	102	3.29514
-16	102	3.22056
-15	102	3.19376
-14	102	3.17769
-13	102	3.17763
-12	102	3.20155
-11	102	3.25597
-10	102	3.31955
-9	102	3.3928
-8	102	3.46794
-7	102	3.54314
-6	102	3.61533
-5	102	3.69433
-4	102	3.77978
-3	102	3.8465
-2	102	3.95258
-1	102	4.0245
0	102	4.09155
1	102	4.15719
2	102	4.20994
3	102	4.2634
4	102	4.31204
5	102	4.35184
6	102	4.38566
7	102	4.42559
8	102	4.45316
9	102	4.4752
10	102	4.48668
11	102	4.49253
12	102	4.49967
13	102	4.4992
14	102	4.48857
15	102	4.4635
16	102	4.42594
17	102	4.37977
18	102	4.31621
19	102	4.24589
20	102	4.16909
21	102	4.06235
22	102	3.92538
23	102	3.79581
24	102	3.6317
25	102	3.44435
26	102	3.23899
27	102	3.02685
28	102	2.81819
29	102	2.59398
30	102	2.39829
31	102	2.22231
32	102	2.084
33	102	1.98534
34	102	1.93188
35	102	1.92937
36	102	1.97945
37	102	2.07184
38	102	2.19447
39	102	2.12555
40	102	2.24486
41	102	2.35008
42	102	2.43099
43	102	2.46524
44	102	2.43151
45	102	2.32288
46	102	2.12566
47	102	1.83691
48	102	1.44797
49	102	0.966643
50	102	0.411639

51	102	-0.176901
52	102	-0.734362
53	102	-1.17476
54	102	-1.40977
55	102	-1.3939
56	102	-1.16641
57	102	-0.813112
58	102	-0.437882
59	102	-0.125034
60	102	0.0706704
61	102	0.0867118
62	102	-0.0935034
63	102	-0.490994
64	102	-1.12565
65	102	-2.01251
66	102	-3.12073
67	102	-4.35548
68	102	-5.37711
69	102	-5.81736
70	102	-5.40885
71	102	-4.42539
72	102	-3.35327
73	102	-2.45079
74	102	-1.84502
75	102	-1.59009
76	102	-1.65417
77	102	-2.08114
78	102	-2.88447
79	102	-4.16694
80	102	-6.14806
81	102	-9.06388
82	102	-12.9385
83	102	-14.0337
84	102	-10.3144
85	102	-7.06901
86	102	-4.84898
87	102	-3.32386
88	102	-2.45469
89	102	-2.11561
90	102	-2.16914
91	102	-2.53341
92	102	-3.93203
93	102	-5.99078
94	102	-9.26237
95	102	-14.7252
96	102	-18.3128
97	102	-11.8373
98	102	-7.58137
99	102	-4.83521
100	102	-3.19772
101	102	-2.1476
102	102	-1.6178
103	102	-1.50236
104	102	-1.80027
105	102	-2.46849
106	102	-3.53277
107	102	-4.93714
108	102	-6.45525
109	102	-7.42477
110	102	-7.30611
111	102	-5.68474
112	102	-4.07891
113	102	-2.7189
114	102	-1.69789
115	102	-1.02227
116	102	-0.657802
117	102	-0.587691
118	102	-0.781131
119	102	-1.2064
120	102	-1.80097
121	102	-2.45496
122	102	-2.99489
123	102	-3.2027
124	102	-2.94184
125	102	-2.26825
126	102	-1.40701
127	102	-0.541811
128	102	0.250784
129	102	0.824216
130	102	1.26456
131	102	1.52811
132	102	1.62773
133	102	1.58143
134	102	1.37806
135	102	1.08822
136	102	0.723168
137	102	0.331612
138	102	-0.0104189
139	102	-0.233717
140	102	-0.266813
141	102	-0.091882
142	102	0.181839
143	102	0.766754
144	102	1.39352
145	102	2.00076
146	102	2.53291
147	102	2.99947

148	102	3.42056
149	102	3.67954
150	102	3.9024
151	102	4.06079
152	102	4.15106
153	102	4.1888
154	102	4.16461
155	102	4.09266
156	102	3.98795
157	102	3.86505
158	102	3.73485
159	102	3.59914
160	102	3.46276
161	102	3.3344
162	102	3.22009
163	102	3.13892
164	102	3.08909
165	102	3.08325
166	102	3.0917
167	102	3.12122
168	102	3.16573
169	102	3.22673
170	102	3.29645
171	102	3.37823
172	102	3.46737
173	102	3.55762
174	102	3.63494
175	102	3.71347
176	102	3.78761
177	102	3.87404
178	102	3.95412
179	102	4.02958
180	102	4.09147
-180	103	4.10033
-179	103	4.14673
-178	103	4.18939
-177	103	4.23228
-176	103	4.27804
-175	103	4.32287
-174	103	4.36575
-173	103	4.40409
-172	103	4.42753
-171	103	4.4504
-170	103	4.46543
-169	103	4.45771
-168	103	4.45051
-167	103	4.44448
-166	103	4.43812
-165	103	4.40768
-164	103	4.37852
-163	103	4.3251
-162	103	4.25344
-161	103	4.16723
-160	103	4.06786
-159	103	3.96995
-158	103	3.86593
-157	103	3.73624
-156	103	3.57983
-155	103	3.39663
-154	103	3.16892
-153	103	2.94924
-152	103	2.73296
-151	103	2.51885
-150	103	2.29679
-149	103	2.1199
-148	103	2.10415
-147	103	1.93802
-146	103	1.8215
-145	103	1.7583
-144	103	1.7632
-143	103	1.81893
-142	103	1.92867
-141	103	2.07158
-140	103	2.23492
-139	103	2.37579
-138	103	2.49081
-137	103	2.55428
-136	103	2.54264
-135	103	2.4424
-134	103	2.2421
-133	103	1.93739
-132	103	1.52873
-131	103	1.01761
-130	103	0.411752
-129	103	-0.239546
-128	103	-0.864351
-127	103	-1.35532
-126	103	-1.63785
-125	103	-1.63225
-124	103	-1.38046
-123	103	-0.953639
-122	103	-0.511986
-121	103	-0.135628
-120	103	0.102635
-119	103	0.165549
-118	103	0.0283453
-117	103	-0.339298

-116	103	-0.953318
-115	103	-1.81641
-114	103	-2.91118
-113	103	-4.16409
-112	103	-5.31185
-111	103	-5.90828
-110	103	-5.60856
-109	103	-4.65748
-108	103	-3.59905
-107	103	-2.62491
-106	103	-1.97338
-105	103	-1.62225
-104	103	-1.6338
-103	103	-2.03474
-102	103	-2.86228
-101	103	-4.20436
-100	103	-6.18812
-99	103	-8.897
-98	103	-12.3522
-97	103	-13.2013
-96	103	-10.0917
-95	103	-6.95647
-94	103	-4.9077
-93	103	-3.42723
-92	103	-2.51956
-91	103	-2.1287
-90	103	-2.21683
-89	103	-2.68724
-88	103	-3.7313
-87	103	-5.39568
-86	103	-8.37717
-85	103	-13.4209
-84	103	-20.187
-83	103	-14.4444
-82	103	-8.98564
-81	103	-5.8104
-80	103	-3.8298
-79	103	-2.58994
-78	103	-1.90105
-77	103	-1.67797
-76	103	-1.88033
-75	103	-2.49542
-74	103	-3.51369
-73	103	-4.9543
-72	103	-6.63029
-71	103	-7.91842
-70	103	-7.81579
-69	103	-6.38187
-68	103	-4.62437
-67	103	-3.10848
-66	103	-1.9519
-65	103	-1.17004
-64	103	-0.720824
-63	103	-0.583419
-62	103	-0.729215
-61	103	-1.14475
-60	103	-1.77892
-59	103	-2.52481
-58	103	-3.24328
-57	103	-3.66084
-56	103	-3.52317
-55	103	-2.85709
-54	103	-1.91188
-53	103	-0.939949
-52	103	-0.069159
-51	103	0.640629
-50	103	1.1905
-49	103	1.55219
-48	103	1.73015
-47	103	1.736
-46	103	1.59197
-45	103	1.3208
-44	103	0.957283
-43	103	0.529373
-42	103	0.109628
-41	103	-0.23825
-40	103	-0.424958
-39	103	-0.40148
-38	103	-0.167874
-37	103	0.245431
-36	103	0.762196
-35	103	1.31683
-34	103	1.86067
-33	103	2.35434
-32	103	2.79018
-31	103	3.51004
-30	103	3.80398
-29	103	4.0244
-28	103	4.17829
-27	103	4.2703
-26	103	4.31135
-25	103	4.27188
-24	103	4.20597
-23	103	4.12304
-22	103	4.02103
-21	103	3.90981
-20	103	3.79166

-19	103	3.65959
-18	103	3.53395
-17	103	3.45024
-16	103	3.38031
-15	103	3.34741
-14	103	3.31802
-13	103	3.29882
-12	103	3.30407
-11	103	3.34216
-10	103	3.39653
-9	103	3.45887
-8	103	3.52318
-7	103	3.58882
-6	103	3.65607
-5	103	3.71705
-4	103	3.7983
-3	103	3.8567
-2	103	3.95946
-1	103	4.04027
0	103	4.10932
1	103	4.16787
2	103	4.21816
3	103	4.26011
4	103	4.30245
5	103	4.35149
6	103	4.39658
7	103	4.43547
8	103	4.46013
9	103	4.48075
10	103	4.49325
11	103	4.49966
12	103	4.5039
13	103	4.49946
14	103	4.48818
15	103	4.46074
16	103	4.42133
17	103	4.36714
18	103	4.29472
19	103	4.22021
20	103	4.13089
21	103	4.0177
22	103	3.88709
23	103	3.75279
24	103	3.58641
25	103	3.3992
26	103	3.17514
27	103	2.95861
28	103	2.76288
29	103	2.54297
30	103	2.35076
31	103	2.18153
32	103	2.19262
33	103	2.04881
34	103	1.9451
35	103	1.87875
36	103	1.86722
37	103	1.89606
38	103	1.96423
39	103	2.05998
40	103	2.17178
41	103	2.27429
42	103	2.35388
43	103	2.38319
44	103	2.35209
45	103	2.24436
46	103	2.05208
47	103	1.77186
48	103	1.39744
49	103	0.92337
50	103	0.377892
51	103	-0.205316
52	103	-0.763515
53	103	-1.21466
54	103	-1.46909
55	103	-1.47604
56	103	-1.25788
57	103	-0.923495
58	103	-0.54778
59	103	-0.227777
60	103	-0.0325543
61	103	-0.0109733
62	103	-0.181884
63	103	-0.56904
64	103	-1.19021
65	103	-2.05686
66	103	-3.14971
67	103	-4.35798
68	103	-5.38694
69	103	-5.91632
70	103	-5.57164
71	103	-4.63812
72	103	-3.61596
73	103	-2.73777
74	103	-2.11798
75	103	-1.82303
76	103	-1.82194
77	103	-2.17469

78	103	-2.96485
79	103	-4.20231
80	103	-6.12619
81	103	-8.98419
82	103	-12.7372
83	103	-14.1398
84	103	-10.5869
85	103	-7.23037
86	103	-4.95194
87	103	-3.41892
88	103	-2.53372
89	103	-2.16325
90	103	-2.17243
91	103	-2.62879
92	103	-3.79261
93	103	-5.7012
94	103	-8.77914
95	103	-13.9824
96	103	-19.1229
97	103	-12.7321
98	103	-8.14644
99	103	-5.30522
100	103	-3.44474
101	103	-2.35599
102	103	-1.76173
103	103	-1.59467
104	103	-1.83741
105	103	-2.44519
106	103	-3.44812
107	103	-4.82082
108	103	-6.39194
109	103	-7.56287
110	103	-7.45151
111	103	-6.13574
112	103	-4.49635
113	103	-3.0695
114	103	-1.97626
115	103	-1.23452
116	103	-0.813027
117	103	-0.688217
118	103	-0.829731
119	103	-1.20762
120	103	-1.7723
121	103	-2.4238
122	103	-3.00424
123	103	-3.28631
124	103	-3.11023
125	103	-2.51216
126	103	-1.67239
127	103	-0.786452
128	103	0.0169887
129	103	0.64987
130	103	1.13762
131	103	1.45396
132	103	1.52671
133	103	1.58353
134	103	1.44244
135	103	1.18911
136	103	0.846238
137	103	0.467244
138	103	0.110261
139	103	-0.153752
140	103	-0.260494
141	103	-0.154097
142	103	0.111097
143	103	0.538265
144	103	1.01524
145	103	1.53662
146	103	2.09315
147	103	2.46937
148	103	2.85512
149	103	3.52724
150	103	3.78483
151	103	3.97212
152	103	4.09729
153	103	4.16466
154	103	4.18348
155	103	4.12837
156	103	4.04636
157	103	3.95433
158	103	3.84637
159	103	3.73007
160	103	3.61005
161	103	3.48154
162	103	3.36001
163	103	3.27597
164	103	3.22704
165	103	3.21051
166	103	3.20385
167	103	3.21081
168	103	3.23488
169	103	3.2885
170	103	3.3565
171	103	3.42947
172	103	3.50317
173	103	3.57315
174	103	3.64781

175	103	3.71049
176	103	3.79654
177	103	3.87607
178	103	3.97158
179	103	4.04536
180	103	4.10033
-180	104	4.10407
-179	104	4.16626
-178	104	4.21468
-177	104	4.25221
-176	104	4.2917
-175	104	4.33828
-174	104	4.37946
-173	104	4.41177
-172	104	4.43663
-171	104	4.45768
-170	104	4.47524
-169	104	4.46844
-168	104	4.454
-167	104	4.45263
-166	104	4.43509
-165	104	4.40647
-164	104	4.36996
-163	104	4.32111
-162	104	4.25209
-161	104	4.1276
-160	104	4.02704
-159	104	3.94133
-158	104	3.80926
-157	104	3.68966
-156	104	3.59857
-155	104	3.4257
-154	104	3.23697
-153	104	3.03795
-152	104	2.82885
-151	104	2.64272
-150	104	2.47813
-149	104	2.27278
-148	104	2.0809
-147	104	1.92206
-146	104	1.80389
-145	104	1.74481
-144	104	1.74611
-143	104	1.79416
-142	104	1.90202
-141	104	2.03728
-140	104	2.19323
-139	104	2.32835
-138	104	2.43668
-137	104	2.49244
-136	104	2.47582
-135	104	2.38059
-134	104	2.18964
-133	104	1.88332
-132	104	1.47641
-131	104	0.9678
-130	104	0.376797
-129	104	-0.267774
-128	104	-0.886985
-127	104	-1.37636
-126	104	-1.66733
-125	104	-1.68574
-124	104	-1.42053
-123	104	-1.01808
-122	104	-0.59582
-121	104	-0.228158
-120	104	0.00475568
-119	104	0.0790471
-118	104	-0.0469185
-117	104	-0.401735
-116	104	-1.00076
-115	104	-1.84673
-114	104	-2.92515
-113	104	-4.15603
-112	104	-5.29722
-111	104	-5.9103
-110	104	-5.66211
-109	104	-4.75762
-108	104	-3.72039
-107	104	-2.74295
-106	104	-2.0794
-105	104	-1.72417
-104	104	-1.72723
-103	104	-2.10982
-102	104	-2.91315
-101	104	-4.2269
-100	104	-6.16875
-99	104	-8.85811
-98	104	-12.357
-97	104	-13.5916
-96	104	-10.5562
-95	104	-7.29549
-94	104	-5.11437
-93	104	-3.55611
-92	104	-2.65069
-91	104	-2.21018
-90	104	-2.22077

-89	104	-2.72513
-88	104	-3.56776
-87	104	-5.20445
-86	104	-7.98529
-85	104	-12.1608
-84	104	-19.8411
-83	104	-15.6052
-82	104	-9.59962
-81	104	-6.20914
-80	104	-4.10679
-79	104	-2.79785
-78	104	-2.04278
-77	104	-1.761
-76	104	-1.90412
-75	104	-2.45323
-74	104	-3.43278
-73	104	-4.80757
-72	104	-6.4607
-71	104	-7.89867
-70	104	-8.08463
-69	104	-6.8001
-68	104	-5.02537
-67	104	-3.44302
-66	104	-2.21526
-65	104	-1.35963
-64	104	-0.843286
-63	104	-0.639254
-62	104	-0.723355
-61	104	-1.08328
-60	104	-1.66566
-59	104	-2.40064
-58	104	-3.11706
-57	104	-3.60896
-56	104	-3.60181
-55	104	-3.05645
-54	104	-2.17117
-53	104	-1.19958
-52	104	-0.304997
-51	104	0.433996
-50	104	1.0142
-49	104	1.42111
-48	104	1.65235
-47	104	1.71415
-46	104	1.62872
-45	104	1.40598
-44	104	1.09461
-43	104	0.696957
-42	104	0.280652
-41	104	-0.0766125
-40	104	-0.311714
-39	104	-0.359113
-38	104	-0.203139
-37	104	0.122203
-36	104	0.582988
-35	104	1.10586
-34	104	1.63862
-33	104	2.14175
-32	104	2.58404
-31	104	2.97244
-30	104	3.28465
-29	104	3.55932
-28	104	3.77018
-27	104	3.90829
-26	104	3.98685
-25	104	4.03244
-24	104	4.04342
-23	104	4.19216
-22	104	4.12007
-21	104	4.03255
-20	104	3.93481
-19	104	3.81759
-18	104	3.67509
-17	104	3.59716
-16	104	3.53077
-15	104	3.49807
-14	104	3.47427
-13	104	3.44564
-12	104	3.41669
-11	104	3.4438
-10	104	3.49024
-9	104	3.54248
-8	104	3.59956
-7	104	3.66075
-6	104	3.71956
-5	104	3.77269
-4	104	3.82586
-3	104	3.88616
-2	104	3.97654
-1	104	4.06429
0	104	4.12649
1	104	4.1933
2	104	4.23935
3	104	4.28023
4	104	4.31845
5	104	4.37078
6	104	4.41606
7	104	4.45256

8	104	4.47115
9	104	4.48889
10	104	4.50785
11	104	4.50583
12	104	4.48567
13	104	4.4835
14	104	4.47548
15	104	4.44532
16	104	4.40822
17	104	4.35571
18	104	4.28473
19	104	4.17509
20	104	4.08359
21	104	3.96883
22	104	3.83327
23	104	3.69681
24	104	3.59511
25	104	3.4251
26	104	3.24053
27	104	3.04824
28	104	2.8637
29	104	2.68446
30	104	2.53493
31	104	2.34967
32	104	2.18735
33	104	2.04879
34	104	1.94259
35	104	1.8806
36	104	1.86408
37	104	1.88095
38	104	1.94122
39	104	2.02637
40	104	2.12594
41	104	2.22181
42	104	2.29198
43	104	2.31764
44	104	2.28384
45	104	2.17841
46	104	1.98636
47	104	1.7045
48	104	1.33281
49	104	0.866139
50	104	0.330405
51	104	-0.245811
52	104	-0.798567
53	104	-1.2493
54	104	-1.51008
55	104	-1.53879
56	104	-1.35025
57	104	-1.01148
58	104	-0.656619
59	104	-0.339724
60	104	-0.142697
61	104	-0.107043
62	104	-0.26632
63	104	-0.634602
64	104	-1.23578
65	104	-2.08047
66	104	-3.16544
67	104	-4.33138
68	104	-5.3704
69	104	-5.97099
70	104	-5.73291
71	104	-4.86464
72	104	-3.83635
73	104	-2.92379
74	104	-2.29216
75	104	-1.97264
76	104	-1.95904
77	104	-2.32318
78	104	-3.03444
79	104	-4.29167
80	104	-6.16347
81	104	-8.98164
82	104	-12.7364
83	104	-14.3859
84	104	-10.9311
85	104	-7.58184
86	104	-5.1747
87	104	-3.5854
88	104	-2.65158
89	104	-2.24082
90	104	-2.19943
91	104	-2.70733
92	104	-3.68736
93	104	-5.51117
94	104	-8.43144
95	104	-13.3461
96	104	-19.7948
97	104	-13.7502
98	104	-8.71507
99	104	-5.72084
100	104	-3.73716
101	104	-2.58718
102	104	-1.91042
103	104	-1.69821
104	104	-1.86447

105	104	-2.42494
106	104	-3.38058
107	104	-4.72877
108	104	-6.32295
109	104	-7.65593
110	104	-7.80195
111	104	-6.55152
112	104	-4.94663
113	104	-3.44552
114	104	-2.28051
115	104	-1.46638
116	104	-0.978921
117	104	-0.78884
118	104	-0.875867
119	104	-1.20117
120	104	-1.72222
121	104	-2.35028
122	104	-2.95588
123	104	-3.32142
124	104	-3.23875
125	104	-2.72891
126	104	-1.93352
127	104	-1.05853
128	104	-0.238707
129	104	0.458263
130	104	0.983244
131	104	1.33908
132	104	1.53221
133	104	1.57199
134	104	1.47379
135	104	1.25439
136	104	0.946774
137	104	0.588163
138	104	0.22503
139	104	-0.0632607
140	104	-0.225372
141	104	-0.207605
142	104	0.000633346
143	104	0.347354
144	104	0.838332
145	104	1.30037
146	104	1.79128
147	104	2.25009
148	104	2.64389
149	104	2.99632
150	104	3.2727
151	104	3.54252
152	104	3.69379
153	104	3.79969
154	104	3.85393
155	104	3.87599
156	104	3.86966
157	104	4.01555
158	104	3.93687
159	104	3.84255
160	104	3.74131
161	104	3.62875
162	104	3.49381
163	104	3.42084
164	104	3.37018
165	104	3.35484
166	104	3.35201
167	104	3.34598
168	104	3.33385
169	104	3.37242
170	104	3.43022
171	104	3.49172
172	104	3.56402
173	104	3.6381
174	104	3.70893
175	104	3.76976
176	104	3.81385
177	104	3.88523
178	104	3.97541
179	104	4.0476
180	104	4.10407
-180	105	4.1366
-179	105	4.21839
-178	105	4.30997
-177	105	4.32293
-176	105	4.33059
-175	105	4.39273
-174	105	4.41608
-173	105	4.44155
-172	105	4.4583
-171	105	4.47363
-170	105	4.52768
-169	105	4.51833
-168	105	4.51093
-167	105	4.47899
-166	105	4.41705
-165	105	4.35112
-164	105	4.3128
-163	105	4.25697
-162	105	4.18819
-161	105	4.10195
-160	105	4.00167

-159	105	3.88414
-158	105	3.74634
-157	105	3.65693
-156	105	3.52298
-155	105	3.36892
-154	105	3.18994
-153	105	3.0011
-152	105	2.81256
-151	105	2.6289
-150	105	2.45996
-149	105	2.26284
-148	105	2.08246
-147	105	1.92632
-146	105	1.8108
-145	105	1.74693
-144	105	1.73972
-143	105	1.78853
-142	105	1.88798
-141	105	2.01386
-140	105	2.16348
-139	105	2.29092
-138	105	2.38998
-137	105	2.43937
-136	105	2.41886
-135	105	2.32134
-134	105	2.12654
-133	105	1.82532
-132	105	1.4227
-131	105	0.91773
-130	105	0.342184
-129	105	-0.300675
-128	105	-0.913731
-127	105	-1.4036
-126	105	-1.70539
-125	105	-1.70294
-124	105	-1.47447
-123	105	-1.09222
-122	105	-0.67296
-121	105	-0.31327
-120	105	-0.071919
-119	105	0.00317661
-118	105	-0.116422
-117	105	-0.461725
-116	105	-1.04611
-115	105	-1.87112
-114	105	-2.93035
-113	105	-4.1461
-112	105	-5.28999
-111	105	-5.93158
-110	105	-5.72837
-109	105	-4.8648
-108	105	-3.83814
-107	105	-2.85868
-106	105	-2.189
-105	105	-1.81502
-104	105	-1.79438
-103	105	-2.15678
-102	105	-2.92969
-101	105	-4.1801
-100	105	-6.12466
-99	105	-8.81224
-98	105	-12.4303
-97	105	-14.178
-96	105	-11.1023
-95	105	-7.74592
-94	105	-5.44828
-93	105	-3.79964
-92	105	-2.81685
-91	105	-2.33097
-90	105	-2.29722
-89	105	-2.74665
-88	105	-3.47439
-87	105	-5.056
-86	105	-7.72529
-85	105	-11.6632
-84	105	-19.2959
-83	105	-16.6545
-82	105	-10.2175
-81	105	-6.61411
-80	105	-4.39586
-79	105	-3.00718
-78	105	-2.18005
-77	105	-1.83454
-76	105	-1.91908
-75	105	-2.38245
-74	105	-3.34165
-73	105	-4.67037
-72	105	-6.3217
-71	105	-7.8652
-70	105	-8.30228
-69	105	-7.18033
-68	105	-5.40682
-67	105	-3.75478
-66	105	-2.46785
-65	105	-1.54882
-64	105	-0.977113
-63	105	-0.720032

-62	105	-0.744814
-61	105	-1.03557
-60	105	-1.55654
-59	105	-2.25387
-58	105	-2.97251
-57	105	-3.55266
-56	105	-3.69693
-55	105	-3.28884
-54	105	-2.47765
-53	105	-1.50749
-52	105	-0.564802
-51	105	0.230562
-50	105	0.858512
-49	105	1.31728
-48	105	1.60536
-47	105	1.72184
-46	105	1.67978
-45	105	1.50308
-44	105	1.23159
-43	105	0.868772
-42	105	0.467954
-41	105	0.0917393
-40	105	-0.182156
-39	105	-0.295469
-38	105	-0.223444
-37	105	0.0289158
-36	105	0.416678
-35	105	0.893189
-34	105	1.40197
-33	105	1.89862
-32	105	2.35439
-31	105	2.75583
-30	105	3.10114
-29	105	3.38959
-28	105	3.62057
-27	105	3.78942
-26	105	3.89791
-25	105	3.97308
-24	105	4.00286
-23	105	4.00106
-22	105	3.96166
-21	105	3.92123
-20	105	3.88511
-19	105	3.83568
-18	105	3.79194
-17	105	3.75967
-16	105	3.73532
-15	105	3.7247
-14	105	3.66364
-13	105	3.65896
-12	105	3.68158
-11	105	3.7197
-10	105	3.76343
-9	105	3.63038
-8	105	3.67593
-7	105	3.73109
-6	105	3.7895
-5	105	3.83949
-4	105	3.8875
-3	105	3.95688
-2	105	3.98958
-1	105	4.09515
0	105	4.15572
1	105	4.2148
2	105	4.25648
3	105	4.30108
4	105	4.33713
5	105	4.38804
6	105	4.42547
7	105	4.45128
8	105	4.47744
9	105	4.49273
10	105	4.55386
11	105	4.5511
12	105	4.53802
13	105	4.51847
14	105	4.45459
15	105	4.37416
16	105	4.32157
17	105	4.26461
18	105	4.2009
19	105	4.12682
20	105	4.02826
21	105	3.89256
22	105	3.75693
23	105	3.65334
24	105	3.51286
25	105	3.35553
26	105	3.18213
27	105	3.00217
28	105	2.83128
29	105	2.67467
30	105	2.50561
31	105	2.33374
32	105	2.17772
33	105	2.0384
34	105	1.93403

35	105	1.87016
36	105	1.85112
37	105	1.87196
38	105	1.93102
39	105	2.0087
40	105	2.10192
41	105	2.18888
42	105	2.2518
43	105	2.27397
44	105	2.23449
45	105	2.12489
46	105	1.93491
47	105	1.6505
48	105	1.28075
49	105	0.811701
50	105	0.281977
51	105	-0.28551
52	105	-0.829116
53	105	-1.27769
54	105	-1.54361
55	105	-1.5789
56	105	-1.40857
57	105	-1.1019
58	105	-0.752444
59	105	-0.443377
60	105	-0.247761
61	105	-0.1887
62	105	-0.339751
63	105	-0.69036
64	105	-1.27085
65	105	-2.0804
66	105	-3.12382
67	105	-4.23806
68	105	-5.3721
69	105	-6.03127
70	105	-5.86403
71	105	-5.01841
72	105	-4.00804
73	105	-3.10884
74	105	-2.4801
75	105	-2.11205
76	105	-2.05046
77	105	-2.39034
78	105	-3.08721
79	105	-4.27702
80	105	-6.22678
81	105	-8.97839
82	105	-12.7675
83	105	-14.727
84	105	-11.382
85	105	-7.9249
86	105	-5.43684
87	105	-3.7826
88	105	-2.79853
89	105	-2.34103
90	105	-2.32461
91	105	-2.72872
92	105	-3.58887
93	105	-5.36732
94	105	-8.1403
95	105	-12.7526
96	105	-20.0014
97	105	-14.9019
98	105	-9.39029
99	105	-6.17864
100	105	-4.07295
101	105	-2.81847
102	105	-2.08336
103	105	-1.79985
104	105	-1.92469
105	105	-2.4386
106	105	-3.34131
107	105	-4.63298
108	105	-6.21806
109	105	-7.67627
110	105	-8.08596
111	105	-7.04584
112	105	-5.37627
113	105	-3.79833
114	105	-2.5539
115	105	-1.66594
116	105	-1.11708
117	105	-0.868082
118	105	-0.903529
119	105	-1.15884
120	105	-1.63026
121	105	-2.24586
122	105	-2.87112
123	105	-3.31109
124	105	-3.36316
125	105	-2.95539
126	105	-2.21753
127	105	-1.34911
128	105	-0.508978
129	105	0.254925
130	105	0.792621
131	105	1.20367

132	105	1.45137
133	105	1.54152
134	105	1.49534
135	105	1.32743
136	105	1.05704
137	105	0.766627
138	105	0.372548
139	105	0.0585725
140	105	-0.150204
141	105	-0.20663
142	105	-0.11296
143	105	0.201453
144	105	0.60044
145	105	1.06509
146	105	1.54429
147	105	2.00349
148	105	2.43261
149	105	2.78359
150	105	3.09608
151	105	3.35105
152	105	3.55067
153	105	3.69218
154	105	3.78043
155	105	3.82926
156	105	3.8435
157	105	3.82882
158	105	3.78218
159	105	3.73544
160	105	3.69696
161	105	3.6514
162	105	3.61388
163	105	3.59111
164	105	3.57851
165	105	3.58423
166	105	3.54767
167	105	3.55711
168	105	3.60092
169	105	3.71284
170	105	3.75857
171	105	3.60134
172	105	3.64356
173	105	3.71035
174	105	3.77793
175	105	3.84307
176	105	3.88383
177	105	3.9495
178	105	3.99971
179	105	4.079
180	105	4.1366
-180	106	4.28883
-179	106	4.33456
-178	106	4.37617
-177	106	4.41177
-176	106	4.43625
-175	106	4.42416
-174	106	4.44271
-173	106	4.46643
-172	106	4.48196
-171	106	4.48662
-170	106	4.48658
-169	106	4.47459
-168	106	4.45048
-167	106	4.42508
-166	106	4.35582
-165	106	4.28237
-164	106	4.22391
-163	106	4.16202
-162	106	4.08998
-161	106	3.99466
-160	106	3.8916
-159	106	3.77879
-158	106	3.6801
-157	106	3.56949
-156	106	3.44886
-155	106	3.30912
-154	106	3.14492
-153	106	2.96713
-152	106	2.78584
-151	106	2.60871
-150	106	2.42907
-149	106	2.25159
-148	106	2.07872
-147	106	1.93037
-146	106	1.82378
-145	106	1.76139
-144	106	1.75258
-143	106	1.80092
-142	106	1.88882
-141	106	2.01016
-140	106	2.14723
-139	106	2.26614
-138	106	2.36051
-137	106	2.39459
-136	106	2.37406
-135	106	2.2697
-134	106	2.07318
-133	106	1.77771

-132	106	1.37265
-131	106	0.872727
-130	106	0.292241
-129	106	-0.32284
-128	106	-0.940604
-127	106	-1.4294
-126	106	-1.69007
-125	106	-1.71641
-124	106	-1.48919
-123	106	-1.10891
-122	106	-0.697377
-121	106	-0.343291
-120	106	-0.105517
-119	106	-0.0275549
-118	106	-0.143298
-117	106	-0.486563
-116	106	-1.06534
-115	106	-1.88256
-114	106	-2.93471
-113	106	-4.1461
-112	106	-5.30469
-111	106	-5.9804
-110	106	-5.8527
-109	106	-4.99629
-108	106	-3.95865
-107	106	-2.9767
-106	106	-2.29013
-105	106	-1.8975
-104	106	-1.84132
-103	106	-2.15309
-102	106	-2.90616
-101	106	-4.14639
-100	106	-5.98728
-99	106	-8.54617
-98	106	-12.1759
-97	106	-14.5915
-96	106	-11.5612
-95	106	-8.21494
-94	106	-5.81046
-93	106	-4.06457
-92	106	-3.00048
-91	106	-2.45217
-90	106	-2.37926
-89	106	-2.77429
-88	106	-3.487
-87	106	-4.94284
-86	106	-7.49514
-85	106	-11.1637
-84	106	-18.6322
-83	106	-17.9183
-82	106	-10.8382
-81	106	-6.99714
-80	106	-4.65086
-79	106	-3.17433
-78	106	-2.30371
-77	106	-1.90762
-76	106	-1.93671
-75	106	-2.33194
-74	106	-3.21964
-73	106	-4.49803
-72	106	-6.11248
-71	106	-7.75462
-70	106	-8.44439
-69	106	-7.4975
-68	106	-5.74593
-67	106	-4.07282
-66	106	-2.7399
-65	106	-1.76652
-64	106	-1.12755
-63	106	-0.794923
-62	106	-0.744854
-61	106	-0.964207
-60	106	-1.43153
-59	106	-2.08495
-58	106	-2.81493
-57	106	-3.45532
-56	106	-3.74724
-55	106	-3.49065
-54	106	-2.77445
-53	106	-1.84055
-52	106	-0.879137
-51	106	-0.0296074
-50	106	0.659009
-49	106	1.17125
-48	106	1.52029
-47	106	1.7037
-46	106	1.7212
-45	106	1.59297
-44	106	1.36848
-43	106	1.04386
-42	106	0.66438
-41	106	0.291467
-40	106	-0.024899
-39	106	-0.206595
-38	106	-0.213724
-37	106	-0.0551658
-36	106	0.261854

-35	106	0.680732
-34	106	1.15507
-33	106	1.64159
-32	106	2.09899
-31	106	2.5188
-30	106	2.88053
-29	106	3.19186
-28	106	3.44159
-27	106	3.63783
-26	106	3.77065
-25	106	3.87787
-24	106	3.92928
-23	106	3.95181
-22	106	3.9502
-21	106	3.93058
-20	106	3.90503
-19	106	3.873
-18	106	3.83915
-17	106	3.80828
-16	106	3.77787
-15	106	3.75547
-14	106	3.73495
-13	106	3.72424
-12	106	3.73272
-11	106	3.76022
-10	106	3.79693
-9	106	3.84206
-8	106	3.89175
-7	106	3.94933
-6	106	4.00567
-5	106	4.057
-4	106	4.07711
-3	106	4.12372
-2	106	4.16155
-1	106	4.24393
0	106	4.2947
1	106	4.34329
2	106	4.38594
3	106	4.42137
4	106	4.44444
5	106	4.426
6	106	4.44074
7	106	4.45625
8	106	4.4766
9	106	4.48454
10	106	4.48427
11	106	4.47288
12	106	4.44979
13	106	4.41196
14	106	4.34853
15	106	4.2777
16	106	4.22174
17	106	4.1589
18	106	4.09268
19	106	3.99275
20	106	3.88224
21	106	3.76447
22	106	3.65849
23	106	3.54894
24	106	3.42138
25	106	3.27826
26	106	3.12174
27	106	2.95519
28	106	2.79186
29	106	2.64022
30	106	2.47178
31	106	2.31387
32	106	2.16253
33	106	2.02935
34	106	1.93302
35	106	1.87044
36	106	1.85342
37	106	1.87588
38	106	1.9304
39	106	2.00482
40	106	2.0886
41	106	2.16676
42	106	2.22307
43	106	2.23542
44	106	2.19281
45	106	2.08091
46	106	1.88673
47	106	1.60945
48	106	1.24711
49	106	0.785597
50	106	0.259125
51	106	-0.306135
52	106	-0.847934
53	106	-1.30086
54	106	-1.56771
55	106	-1.62889
56	106	-1.46853
57	106	-1.17915
58	106	-0.834852
59	106	-0.52042
60	106	-0.320739
61	106	-0.275983

62	106	-0.406069
63	106	-0.739646
64	106	-1.28951
65	106	-2.08505
66	106	-3.11231
67	106	-4.22255
68	106	-5.39003
69	106	-6.03708
70	106	-5.92472
71	106	-5.13988
72	106	-4.15284
73	106	-3.24584
74	106	-2.57725
75	106	-2.18372
76	106	-2.13745
77	106	-2.42187
78	106	-3.1059
79	106	-4.22796
80	106	-6.12309
81	106	-8.81517
82	106	-12.8062
83	106	-15.3183
84	106	-11.9413
85	106	-8.37819
86	106	-5.7694
87	106	-4.06656
88	106	-2.99348
89	106	-2.477
90	106	-2.42127
91	106	-2.76576
92	106	-3.59419
93	106	-5.25058
94	106	-7.88104
95	106	-12.2398
96	106	-19.8185
97	106	-16.1202
98	106	-10.0828
99	106	-6.64016
100	106	-4.40236
101	106	-3.05367
102	106	-2.26529
103	106	-1.92399
104	106	-1.98994
105	106	-2.43165
106	106	-3.25425
107	106	-4.49708
108	106	-6.06154
109	106	-7.61254
110	106	-8.27139
111	106	-7.43081
112	106	-5.78155
113	106	-4.15899
114	106	-2.84199
115	106	-1.8811
116	106	-1.26007
117	106	-0.944664
118	106	-0.909697
119	106	-1.09725
120	106	-1.5416
121	106	-2.12047
122	106	-2.74335
123	106	-3.24394
124	106	-3.41479
125	106	-3.13193
126	106	-2.47338
127	106	-1.63344
128	106	-0.776562
129	106	-0.0128881
130	106	0.598545
131	106	1.05937
132	106	1.36411
133	106	1.51235
134	106	1.51875
135	106	1.40097
136	106	1.17844
137	106	0.868443
138	106	0.542416
139	106	0.223768
140	106	-0.100624
141	106	-0.152449
142	106	-0.112766
143	106	0.0851079
144	106	0.420926
145	106	0.839186
146	106	1.29674
147	106	1.75192
148	106	2.17469
149	106	2.56005
150	106	2.88478
151	106	3.12737
152	106	3.39066
153	106	3.55909
154	106	3.67461
155	106	3.753
156	106	3.79145
157	106	3.79928
158	106	3.78967

159	106	3.76316
160	106	3.73264
161	106	3.7023
162	106	3.6761
163	106	3.65175
164	106	3.63165
165	106	3.62493
166	106	3.6222
167	106	3.6272
168	106	3.65704
169	106	3.70309
170	106	3.75464
171	106	3.81036
172	106	3.87233
173	106	3.93912
174	106	4.00592
175	106	4.05337
176	106	4.07
177	106	4.11282
178	106	4.16793
179	106	4.24595
180	106	4.28883
-180	107	4.22988
-179	107	4.27666
-178	107	4.30625
-177	107	4.32853
-176	107	4.34161
-175	107	4.34223
-174	107	4.35191
-173	107	4.36545
-172	107	4.37401
-171	107	4.37835
-170	107	4.37507
-169	107	4.3593
-168	107	4.33161
-167	107	4.28127
-166	107	4.23652
-165	107	4.1734
-164	107	4.12594
-163	107	4.07725
-162	107	4.00995
-161	107	3.92254
-160	107	3.82682
-159	107	3.69852
-158	107	3.61189
-157	107	3.49913
-156	107	3.36948
-155	107	3.21791
-154	107	3.05918
-153	107	2.88864
-152	107	2.71388
-151	107	2.54082
-150	107	2.37267
-149	107	2.20607
-148	107	2.0521
-147	107	1.92025
-146	107	1.82393
-145	107	1.7706
-144	107	1.76774
-143	107	1.80991
-142	107	1.8922
-141	107	2.00865
-140	107	2.13106
-139	107	2.2184
-138	107	2.31883
-137	107	2.34447
-136	107	2.29892
-135	107	2.18214
-134	107	1.98435
-133	107	1.67482
-132	107	1.27478
-131	107	0.783158
-130	107	0.216124
-129	107	-0.393164
-128	107	-0.981143
-127	107	-1.45128
-126	107	-1.7184
-125	107	-1.73805
-124	107	-1.53066
-123	107	-1.17623
-122	107	-0.78134
-121	107	-0.434528
-120	107	-0.198702
-119	107	-0.118384
-118	107	-0.236063
-117	107	-0.578461
-116	107	-1.14765
-115	107	-1.95671
-114	107	-2.99917
-113	107	-4.20053
-112	107	-5.35082
-111	107	-6.02595
-110	107	-5.87684
-109	107	-5.07392
-108	107	-4.01486
-107	107	-2.99487
-106	107	-2.30472

-105	107	-1.92752
-104	107	-1.86968
-103	107	-2.15703
-102	107	-2.84674
-101	107	-4.01223
-100	107	-5.6949
-99	107	-8.2219
-98	107	-11.6961
-97	107	-14.5363
-96	107	-12.1884
-95	107	-8.57701
-94	107	-6.13952
-93	107	-4.37947
-92	107	-3.25949
-91	107	-2.64053
-90	107	-2.51435
-89	107	-2.85122
-88	107	-3.70695
-87	107	-4.84869
-86	107	-7.20288
-85	107	-10.6311
-84	107	-17.4418
-83	107	-18.8441
-82	107	-11.5075
-81	107	-7.44467
-80	107	-4.98389
-79	107	-3.41459
-78	107	-2.47463
-77	107	-2.00366
-76	107	-1.96893
-75	107	-2.32333
-74	107	-3.1101
-73	107	-4.31677
-72	107	-5.89054
-71	107	-7.5654
-70	107	-8.52316
-69	107	-7.87848
-68	107	-6.17924
-67	107	-4.41687
-66	107	-2.9763
-65	107	-1.91774
-64	107	-1.21455
-63	107	-0.832437
-62	107	-0.737934
-61	107	-0.907537
-60	107	-1.32687
-59	107	-1.92788
-58	107	-2.65221
-57	107	-3.31022
-56	107	-3.71294
-55	107	-3.61948
-54	107	-3.027
-53	107	-2.14684
-52	107	-1.19302
-51	107	-0.315181
-50	107	0.417808
-49	107	0.985209
-48	107	1.39348
-47	107	1.64217
-46	107	1.73331
-45	107	1.66893
-44	107	1.49466
-43	107	1.2219
-42	107	0.878209
-41	107	0.516444
-40	107	0.18741
-39	107	-0.0535135
-38	107	-0.161986
-37	107	-0.0944184
-36	107	0.134558
-35	107	0.491441
-34	107	0.922634
-33	107	1.38237
-32	107	1.83634
-31	107	2.26204
-30	107	2.64265
-29	107	2.96813
-28	107	3.24158
-27	107	3.46167
-26	107	3.61674
-25	107	3.75094
-24	107	3.82696
-23	107	3.88102
-22	107	3.8995
-21	107	3.90505
-20	107	3.89687
-19	107	3.8747
-18	107	3.85141
-17	107	3.82889
-16	107	3.79236
-15	107	3.77211
-14	107	3.76251
-13	107	3.75225
-12	107	3.75218
-11	107	3.7725
-10	107	3.79457
-9	107	3.82966

-8	107	3.86531
-7	107	3.91459
-6	107	3.95938
-5	107	4.00003
-4	107	4.02902
-3	107	4.07133
-2	107	4.11427
-1	107	4.15492
0	107	4.22841
1	107	4.27715
2	107	4.30845
3	107	4.3312
4	107	4.34664
5	107	4.33994
6	107	4.34918
7	107	4.35613
8	107	4.36597
9	107	4.36844
10	107	4.35918
11	107	4.34147
12	107	4.31241
13	107	4.26855
14	107	4.21463
15	107	4.15356
16	107	4.09929
17	107	4.03337
18	107	3.96396
19	107	3.86845
20	107	3.77022
21	107	3.65865
22	107	3.54493
23	107	3.41477
24	107	3.2818
25	107	3.15937
26	107	3.03203
27	107	2.88718
28	107	2.73539
29	107	2.57982
30	107	2.43188
31	107	2.28594
32	107	2.14695
33	107	2.02534
34	107	1.93237
35	107	1.87269
36	107	1.85394
37	107	1.87087
38	107	1.92263
39	107	1.99687
40	107	2.07924
41	107	2.1554
42	107	2.20663
43	107	2.21267
44	107	2.1639
45	107	2.04759
46	107	1.85203
47	107	1.56699
48	107	1.20783
49	107	0.751876
50	107	0.23557
51	107	-0.324787
52	107	-0.861879
53	107	-1.31094
54	107	-1.59427
55	107	-1.66176
56	107	-1.51899
57	107	-1.22476
58	107	-0.88501
59	107	-0.578052
60	107	-0.387947
61	107	-0.335169
62	107	-0.452978
63	107	-0.783226
64	107	-1.34609
65	107	-2.15015
66	107	-3.11934
67	107	-4.26091
68	107	-5.37431
69	107	-6.05495
70	107	-5.97953
71	107	-5.22064
72	107	-4.25291
73	107	-3.37043
74	107	-2.66944
75	107	-2.2792
76	107	-2.20223
77	107	-2.4621
78	107	-3.05105
79	107	-4.17246
80	107	-5.94387
81	107	-8.58829
82	107	-12.3605
83	107	-15.614
84	107	-12.8043
85	107	-8.84625
86	107	-6.14877
87	107	-4.39175
88	107	-3.24937

89	107	-2.66446
90	107	-2.56036
91	107	-2.84299
92	107	-3.83665
93	107	-5.1507
94	107	-7.58128
95	107	-11.6656
96	107	-19.2475
97	107	-17.24
98	107	-10.708
99	107	-7.06869
100	107	-4.73831
101	107	-3.29351
102	107	-2.44704
103	107	-2.0232
104	107	-2.02763
105	107	-2.40747
106	107	-3.18179
107	107	-4.34754
108	107	-5.86864
109	107	-7.46939
110	107	-8.38703
111	107	-7.81606
112	107	-6.23475
113	107	-4.55065
114	107	-3.15521
115	107	-2.11607
116	107	-1.42221
117	107	-1.03666
118	107	-0.928699
119	107	-1.07228
120	107	-1.43414
121	107	-1.96848
122	107	-2.58271
123	107	-3.12491
124	107	-3.39932
125	107	-3.25827
126	107	-2.70666
127	107	-1.91517
128	107	-1.06463
129	107	-0.284331
130	107	0.405561
131	107	0.897677
132	107	1.2544
133	107	1.45575
134	107	1.52236
135	107	1.46079
136	107	1.28643
137	107	1.02848
138	107	0.661308
139	107	0.396461
140	107	0.123014
141	107	-0.0532589
142	107	-0.0977733
143	107	0.0215246
144	107	0.275779
145	107	0.637892
146	107	1.05832
147	107	1.49864
148	107	1.92163
149	107	2.31443
150	107	2.66353
151	107	2.95995
152	107	3.20236
153	107	3.35747
154	107	3.54767
155	107	3.64071
156	107	3.70589
157	107	3.74317
158	107	3.75059
159	107	3.74796
160	107	3.71736
161	107	3.71056
162	107	3.69333
163	107	3.67795
164	107	3.6572
165	107	3.64537
166	107	3.65499
167	107	3.66499
168	107	3.68593
169	107	3.71896
170	107	3.76295
171	107	3.80021
172	107	3.84743
173	107	3.90334
174	107	3.95422
175	107	3.99819
176	107	4.02803
177	107	4.06742
178	107	4.12033
179	107	4.18055
180	107	4.22988
-180	108	4.12843
-179	108	4.1716
-178	108	4.19734
-177	108	4.21678
-176	108	4.22527

-175	108	4.23036
-174	108	4.23245
-173	108	4.23174
-172	108	4.21855
-171	108	4.21167
-170	108	4.20573
-169	108	4.18831
-168	108	4.16307
-167	108	4.12385
-166	108	4.08374
-165	108	4.03075
-164	108	3.98456
-163	108	3.92709
-162	108	3.8516
-161	108	3.7661
-160	108	3.67112
-159	108	3.57322
-158	108	3.47609
-157	108	3.36924
-156	108	3.25773
-155	108	3.12731
-154	108	2.99287
-153	108	2.8454
-152	108	2.68868
-151	108	2.52467
-150	108	2.35875
-149	108	2.19606
-148	108	2.04621
-147	108	1.91152
-146	108	1.80864
-145	108	1.75144
-144	108	1.74022
-143	108	1.7774
-142	108	1.85517
-141	108	1.96146
-140	108	2.0763
-139	108	2.18316
-138	108	2.25922
-137	108	2.28837
-136	108	2.26058
-135	108	2.14599
-134	108	1.94029
-133	108	1.63909
-132	108	1.24409
-131	108	0.740251
-130	108	0.176222
-129	108	-0.435479
-128	108	-1.03311
-127	108	-1.50628
-126	108	-1.76619
-125	108	-1.79728
-124	108	-1.59379
-123	108	-1.24232
-122	108	-0.848345
-121	108	-0.498066
-120	108	-0.25526
-119	108	-0.169774
-118	108	-0.287613
-117	108	-0.623696
-116	108	-1.18441
-115	108	-1.98741
-114	108	-3.02328
-113	108	-4.22024
-112	108	-5.3906
-111	108	-6.13281
-110	108	-6.02953
-109	108	-5.2124
-108	108	-4.17541
-107	108	-3.19694
-106	108	-2.46064
-105	108	-2.02837
-104	108	-1.94044
-103	108	-2.2072
-102	108	-2.86362
-101	108	-3.99195
-100	108	-5.61763
-99	108	-8.01667
-98	108	-11.4752
-97	108	-14.6914
-96	108	-12.731
-95	108	-8.98583
-94	108	-6.44826
-93	108	-4.62199
-92	108	-3.43886
-91	108	-2.77252
-90	108	-2.60661
-89	108	-2.90055
-88	108	-3.69479
-87	108	-4.71281
-86	108	-7.01654
-85	108	-10.2113
-84	108	-16.5628
-83	108	-20.0406
-82	108	-12.2535
-81	108	-7.95519
-80	108	-5.3219
-79	108	-3.66486

-78	108	-2.64684
-77	108	-2.11798
-76	108	-1.98778
-75	108	-2.3164
-74	108	-3.01734
-73	108	-4.1407
-72	108	-5.65763
-71	108	-7.34577
-70	108	-8.5151
-69	108	-8.14343
-68	108	-6.58904
-67	108	-4.81254
-66	108	-3.30797
-65	108	-2.16981
-64	108	-1.38385
-63	108	-0.917177
-62	108	-0.746918
-61	108	-0.839006
-60	108	-1.18498
-59	108	-1.73458
-58	108	-2.4311
-57	108	-3.1251
-56	108	-3.63126
-55	108	-3.69931
-54	108	-3.24482
-53	108	-2.44556
-52	108	-1.51727
-51	108	-0.618226
-50	108	0.160918
-49	108	0.777501
-48	108	1.23684
-47	108	1.54911
-46	108	1.71096
-45	108	1.71525
-44	108	1.59824
-43	108	1.37477
-42	108	1.07083
-41	108	0.737964
-40	108	0.402952
-39	108	0.12314
-38	108	-0.051536
-37	108	-0.090395
-36	108	0.0403862
-35	108	0.314769
-34	108	0.689053
-33	108	1.11475
-32	108	1.55118
-31	108	1.97348
-30	108	2.36235
-29	108	2.70954
-28	108	3.00026
-27	108	3.246
-26	108	3.43155
-25	108	3.58569
-24	108	3.68619
-23	108	3.76496
-22	108	3.81011
-21	108	3.82921
-20	108	3.83554
-19	108	3.82967
-18	108	3.81417
-17	108	3.79639
-16	108	3.7677
-15	108	3.756
-14	108	3.75079
-13	108	3.74102
-12	108	3.74022
-11	108	3.76731
-10	108	3.77244
-9	108	3.79945
-8	108	3.83284
-7	108	3.86976
-6	108	3.90023
-5	108	3.92681
-4	108	3.95985
-3	108	3.99531
-2	108	4.04189
-1	108	4.06852
0	108	4.11989
1	108	4.16809
2	108	4.19268
3	108	4.21176
4	108	4.21985
5	108	4.225
6	108	4.22021
7	108	4.22293
8	108	4.22513
9	108	4.21809
10	108	4.20234
11	108	4.17492
12	108	4.14135
13	108	4.09214
14	108	4.03985
15	108	3.97653
16	108	3.91814
17	108	3.85564
18	108	3.78676

19	108	3.70744
20	108	3.61216
21	108	3.5209
22	108	3.41837
23	108	3.30492
24	108	3.19254
25	108	3.07092
26	108	2.9378
27	108	2.78067
28	108	2.64451
29	108	2.49779
30	108	2.36937
31	108	2.24354
32	108	2.12483
33	108	2.02129
34	108	1.93524
35	108	1.87731
36	108	1.84973
37	108	1.86101
38	108	1.90556
39	108	1.9715
40	108	2.05127
41	108	2.12731
42	108	2.17271
43	108	2.1783
44	108	2.12929
45	108	2.01161
46	108	1.81561
47	108	1.53043
48	108	1.16751
49	108	0.709957
50	108	0.194753
51	108	-0.357236
52	108	-0.892825
53	108	-1.33937
54	108	-1.61811
55	108	-1.67761
56	108	-1.54069
57	108	-1.26613
58	108	-0.927523
59	108	-0.616674
60	108	-0.419637
61	108	-0.365335
62	108	-0.496949
63	108	-0.832145
64	108	-1.38617
65	108	-2.17479
66	108	-3.11016
67	108	-4.29246
68	108	-5.37589
69	108	-6.06994
70	108	-6.03038
71	108	-5.32698
72	108	-4.38889
73	108	-3.5135
74	108	-2.77679
75	108	-2.35322
76	108	-2.2317
77	108	-2.4867
78	108	-3.01484
79	108	-4.11305
80	108	-5.79989
81	108	-8.34245
82	108	-11.9874
83	108	-15.6298
84	108	-13.4362
85	108	-9.38647
86	108	-6.59598
87	108	-4.76301
88	108	-3.55619
89	108	-2.89894
90	108	-2.72725
91	108	-2.94747
92	108	-3.87605
93	108	-5.03456
94	108	-7.37288
95	108	-11.2648
96	108	-18.3234
97	108	-18.3145
98	108	-11.3975
99	108	-7.54483
100	108	-5.081
101	108	-3.55615
102	108	-2.61886
103	108	-2.1513
104	108	-2.09862
105	108	-2.41672
106	108	-3.14038
107	108	-4.2219
108	108	-5.69901
109	108	-7.33853
110	108	-8.45177
111	108	-8.14606
112	108	-6.65417
113	108	-5.02267
114	108	-3.46857
115	108	-2.34983

116	108	-1.57451
117	108	-1.11087
118	108	-0.936458
119	108	-1.01632
120	108	-1.32067
121	108	-1.80523
122	108	-2.39795
123	108	-2.98346
124	108	-3.36782
125	108	-3.37079
126	108	-2.9459
127	108	-2.22604
128	108	-1.40236
129	108	-0.574791
130	108	0.155736
131	108	0.691555
132	108	1.12316
133	108	1.37744
134	108	1.50378
135	108	1.49536
136	108	1.38678
137	108	1.17037
138	108	0.894632
139	108	0.595007
140	108	0.306114
141	108	0.0866779
142	108	-0.0201108
143	108	0.00667904
144	108	0.178171
145	108	0.462156
146	108	0.827244
147	108	1.23104
148	108	1.64066
149	108	2.03212
150	108	2.38741
151	108	2.7033
152	108	2.96586
153	108	3.18401
154	108	3.351
155	108	3.48272
156	108	3.59401
157	108	3.6272
158	108	3.66787
159	108	3.68033
160	108	3.68139
161	108	3.67376
162	108	3.66391
163	108	3.65647
164	108	3.64407
165	108	3.63013
166	108	3.64059
167	108	3.65014
168	108	3.66528
169	108	3.69153
170	108	3.72046
171	108	3.75352
172	108	3.79102
173	108	3.84037
174	108	3.87788
175	108	3.91107
176	108	3.94469
177	108	3.98182
178	108	4.03031
179	108	4.08319
180	108	4.12843
-180	109	3.98483
-179	109	4.02585
-178	109	4.05116
-177	109	4.07236
-176	109	4.0831
-175	109	4.08721
-174	109	4.08178
-173	109	4.07213
-172	109	4.04824
-171	109	4.03555
-170	109	4.02151
-169	109	3.99341
-168	109	3.95304
-167	109	3.90621
-166	109	3.87316
-165	109	3.84945
-164	109	3.79023
-163	109	3.73567
-162	109	3.6538
-161	109	3.57434
-160	109	3.46871
-159	109	3.40331
-158	109	3.31052
-157	109	3.21319
-156	109	3.11278
-155	109	2.99498
-154	109	2.87083
-153	109	2.73883
-152	109	2.60111
-151	109	2.45143
-150	109	2.30448
-149	109	2.16315

-148	109	2.02982
-147	109	1.91201
-146	109	1.82304
-145	109	1.77393
-144	109	1.77124
-143	109	1.81634
-142	109	1.89556
-141	109	1.99816
-140	109	2.10228
-139	109	2.1955
-138	109	2.2578
-137	109	2.26815
-136	109	2.21571
-135	109	2.09973
-134	109	1.89006
-133	109	1.58121
-132	109	1.1827
-131	109	0.692431
-130	109	0.138578
-129	109	-0.432645
-128	109	-0.996301
-127	109	-1.41479
-126	109	-1.69836
-125	109	-1.72717
-124	109	-1.52883
-123	109	-1.20289
-122	109	-0.83166
-121	109	-0.498591
-120	109	-0.270712
-119	109	-0.199863
-118	109	-0.332313
-117	109	-0.675351
-116	109	-1.23533
-115	109	-2.05523
-114	109	-3.14371
-113	109	-4.35828
-112	109	-5.50459
-111	109	-6.25014
-110	109	-6.18409
-109	109	-5.40224
-108	109	-4.28845
-107	109	-3.29614
-106	109	-2.5236
-105	109	-2.05989
-104	109	-1.93965
-103	109	-2.17257
-102	109	-2.78381
-101	109	-3.85748
-100	109	-5.399
-99	109	-7.64678
-98	109	-11.0935
-97	109	-14.5675
-96	109	-13.2442
-95	109	-9.49429
-94	109	-6.7907
-93	109	-4.88738
-92	109	-3.61117
-91	109	-2.89443
-90	109	-2.66652
-89	109	-2.90514
-88	109	-3.63609
-87	109	-4.61145
-86	109	-6.78744
-85	109	-9.75374
-84	109	-15.6293
-83	109	-20.8594
-82	109	-13.0059
-81	109	-8.46805
-80	109	-5.66368
-79	109	-3.91121
-78	109	-2.82045
-77	109	-2.23279
-76	109	-2.03345
-75	109	-2.32463
-74	109	-2.96266
-73	109	-4.00544
-72	109	-5.43426
-71	109	-7.12101
-70	109	-8.38021
-69	109	-8.36136
-68	109	-6.97667
-67	109	-5.19621
-66	109	-3.62157
-65	109	-2.40177
-64	109	-1.54485
-63	109	-1.00802
-62	109	-0.771533
-61	109	-0.797056
-60	109	-1.07076
-59	109	-1.56259
-58	109	-2.19142
-57	109	-2.89621
-56	109	-3.47208
-55	109	-3.72896
-54	109	-3.47285
-53	109	-2.78091
-52	109	-1.87672

-51	109	-0.952156
-50	109	-0.117561
-49	109	0.568185
-48	109	1.08425
-47	109	1.4389
-46	109	1.65242
-45	109	1.72342
-44	109	1.67163
-43	109	1.51638
-42	109	1.25918
-41	109	0.949564
-40	109	0.631112
-39	109	0.331607
-38	109	0.0984559
-37	109	-0.019137
-36	109	-0.000321037
-35	109	0.175802
-34	109	0.471637
-33	109	0.845068
-32	109	1.2514
-31	109	1.65746
-30	109	2.04271
-29	109	2.39383
-28	109	2.70211
-27	109	2.96404
-26	109	3.17832
-25	109	3.35216
-24	109	3.4817
-23	109	3.58519
-22	109	3.64988
-21	109	3.69514
-20	109	3.71482
-19	109	3.72245
-18	109	3.72322
-17	109	3.71469
-16	109	3.69884
-15	109	3.68225
-14	109	3.68286
-13	109	3.67817
-12	109	3.68091
-11	109	3.69563
-10	109	3.7068
-9	109	3.72496
-8	109	3.74347
-7	109	3.77523
-6	109	3.80172
-5	109	3.82842
-4	109	3.86137
-3	109	3.89531
-2	109	3.93757
-1	109	3.96598
0	109	3.9814
1	109	4.03621
2	109	4.05136
3	109	4.06587
4	109	4.06964
5	109	4.06612
6	109	4.06903
7	109	4.0541
8	109	4.04366
9	109	4.03098
10	109	4.0115
11	109	3.98032
12	109	3.9394
13	109	3.88691
14	109	3.83295
15	109	3.76905
16	109	3.70906
17	109	3.64881
18	109	3.57008
19	109	3.49892
20	109	3.40728
21	109	3.32813
22	109	3.23199
23	109	3.13422
24	109	3.04035
25	109	2.93531
26	109	2.81981
27	109	2.70224
28	109	2.59733
29	109	2.43856
30	109	2.29661
31	109	2.16145
32	109	2.05633
33	109	1.96829
34	109	1.88944
35	109	1.83757
36	109	1.82275
37	109	1.84669
38	109	1.89053
39	109	1.95168
40	109	2.01942
41	109	2.08267
42	109	2.12136
43	109	2.11816
44	109	2.06081
45	109	1.93679

46	109	1.73425
47	109	1.44821
48	109	1.08729
49	109	0.633484
50	109	0.121474
51	109	-0.41785
52	109	-0.930551
53	109	-1.35547
54	109	-1.62568
55	109	-1.69766
56	109	-1.56188
57	109	-1.27756
58	109	-0.949105
59	109	-0.655017
60	109	-0.465898
61	109	-0.424831
62	109	-0.542627
63	109	-0.858314
64	109	-1.41393
65	109	-2.1524
66	109	-3.12803
67	109	-4.27185
68	109	-5.37945
69	109	-6.10164
70	109	-6.11659
71	109	-5.47897
72	109	-4.52331
73	109	-3.62032
74	109	-2.87837
75	109	-2.4164
76	109	-2.29574
77	109	-2.44608
78	109	-3.01703
79	109	-4.02358
80	109	-5.6731
81	109	-8.10512
82	109	-11.6566
83	109	-15.5041
84	109	-13.9444
85	109	-9.85759
86	109	-6.9486
87	109	-5.04394
88	109	-3.79079
89	109	-3.09038
90	109	-2.87546
91	109	-3.04325
92	109	-3.89502
93	109	-4.98836
94	109	-7.16768
95	109	-10.7853
96	109	-17.2199
97	109	-19.6426
98	109	-12.2639
99	109	-8.0927
100	109	-5.5499
101	109	-3.88088
102	109	-2.85144
103	109	-2.32808
104	109	-2.20373
105	109	-2.47409
106	109	-3.1194
107	109	-4.1758
108	109	-5.5458
109	109	-7.18239
110	109	-8.44973
111	109	-8.41411
112	109	-7.05077
113	109	-5.31125
114	109	-3.771
115	109	-2.57634
116	109	-1.73136
117	109	-1.19829
118	109	-0.955848
119	109	-0.967404
120	109	-1.21117
121	109	-1.64853
122	109	-2.22217
123	109	-2.82997
124	109	-3.2977
125	109	-3.44191
126	109	-3.18339
127	109	-2.5578
128	109	-1.78995
129	109	-0.923603
130	109	-0.175192
131	109	0.467983
132	109	0.933858
133	109	1.26167
134	109	1.49187
135	109	1.51571
136	109	1.45928
137	109	1.30667
138	109	1.07608
139	109	0.797967
140	109	0.516691
141	109	0.268966
142	109	0.0993793

143	109	0.0479201
144	109	0.11915
145	109	0.314611
146	109	0.606009
147	109	0.95697
148	109	1.33517
149	109	1.71235
150	109	2.06806
151	109	2.39066
152	109	2.67287
153	109	2.91081
154	109	3.10348
155	109	3.25929
156	109	3.37399
157	109	3.46254
158	109	3.51802
159	109	3.55543
160	109	3.57277
161	109	3.58864
162	109	3.58451
163	109	3.58637
164	109	3.57989
165	109	3.5692
166	109	3.57586
167	109	3.5887
168	109	3.60023
169	109	3.62759
170	109	3.65213
171	109	3.67664
172	109	3.70657
173	109	3.73744
174	109	3.77176
175	109	3.80101
176	109	3.83408
177	109	3.86842
178	109	3.90731
179	109	3.94815
180	109	3.98483
-180	110	3.82723
-179	110	3.86243
-178	110	3.88321
-177	110	3.89891
-176	110	3.91199
-175	110	3.90996
-174	110	3.9009
-173	110	3.88141
-172	110	3.85471
-171	110	3.83249
-170	110	3.81201
-169	110	3.77088
-168	110	3.73476
-167	110	3.67596
-166	110	3.63065
-165	110	3.60468
-164	110	3.54295
-163	110	3.49313
-162	110	3.43783
-161	110	3.37052
-160	110	3.29964
-159	110	3.2244
-158	110	3.1469
-157	110	3.06541
-156	110	2.97779
-155	110	2.8712
-154	110	2.76498
-153	110	2.63802
-152	110	2.49991
-151	110	2.35476
-150	110	2.20784
-149	110	2.0642
-148	110	1.93659
-147	110	1.8342
-146	110	1.76227
-145	110	1.72786
-144	110	1.73829
-143	110	1.78809
-142	110	1.86952
-141	110	1.96931
-140	110	2.06923
-139	110	2.15723
-138	110	2.21079
-137	110	2.21593
-136	110	2.15935
-135	110	2.02563
-134	110	1.81475
-133	110	1.49985
-132	110	1.09196
-131	110	0.593206
-130	110	0.019704
-129	110	-0.567222
-128	110	-1.13144
-127	110	-1.57752
-126	110	-1.81677
-125	110	-1.81885
-124	110	-1.61206
-123	110	-1.258
-122	110	-0.868507

-121	110	-0.521925
-120	110	-0.287214
-119	110	-0.206869
-118	110	-0.331925
-117	110	-0.666554
-116	110	-1.22383
-115	110	-2.00742
-114	110	-3.02619
-113	110	-4.22849
-112	110	-5.41006
-111	110	-6.19157
-110	110	-6.20106
-109	110	-5.4893
-108	110	-4.4092
-107	110	-3.43336
-106	110	-2.65095
-105	110	-2.18603
-104	110	-2.04965
-103	110	-2.25157
-102	110	-2.84614
-101	110	-3.88133
-100	110	-5.30995
-99	110	-7.53255
-98	110	-10.7123
-97	110	-14.2739
-96	110	-13.3085
-95	110	-10.0297
-94	110	-7.12753
-93	110	-5.12484
-92	110	-3.78886
-91	110	-3.04278
-90	110	-2.76247
-89	110	-2.95277
-88	110	-3.61319
-87	110	-4.6546
-86	110	-6.22892
-85	110	-9.21524
-84	110	-14.4419
-83	110	-21.4936
-82	110	-13.9224
-81	110	-9.06584
-80	110	-6.15323
-79	110	-4.22
-78	110	-3.04211
-77	110	-2.39045
-76	110	-2.15746
-75	110	-2.34364
-74	110	-2.91131
-73	110	-3.86976
-72	110	-5.22637
-71	110	-6.87767
-70	110	-8.32925
-69	110	-8.5836
-68	110	-7.37508
-67	110	-5.58497
-66	110	-3.94906
-65	110	-2.65041
-64	110	-1.70969
-63	110	-1.08994
-62	110	-0.775106
-61	110	-0.73211
-60	110	-0.938341
-59	110	-1.38142
-58	110	-1.99003
-57	110	-2.71312
-56	110	-3.35419
-55	110	-3.73415
-54	110	-3.6458
-53	110	-3.09193
-52	110	-2.25418
-51	110	-1.32885
-50	110	-0.458512
-49	110	0.285788
-48	110	0.883548
-47	110	1.32064
-46	110	1.6022
-45	110	1.73114
-44	110	1.73159
-43	110	1.63426
-42	110	1.43006
-41	110	1.15661
-40	110	0.851845
-39	110	0.548591
-38	110	0.283088
-37	110	0.0873506
-36	110	0.0116292
-35	110	0.0706868
-34	110	0.266611
-33	110	0.559793
-32	110	0.912813
-31	110	1.29009
-30	110	1.66456
-29	110	2.02285
-28	110	2.3425
-27	110	2.62713
-26	110	2.86391
-25	110	3.05876

-24	110	3.21445
-23	110	3.33528
-22	110	3.42787
-21	110	3.49215
-20	110	3.53843
-19	110	3.56416
-18	110	3.58013
-17	110	3.59457
-16	110	3.58306
-15	110	3.5674
-14	110	3.56988
-13	110	3.57247
-12	110	3.57736
-11	110	3.58749
-10	110	3.59774
-9	110	3.60853
-8	110	3.63351
-7	110	3.65142
-6	110	3.67865
-5	110	3.70676
-4	110	3.73386
-3	110	3.76667
-2	110	3.83307
-1	110	3.83264
0	110	3.8331
1	110	3.86769
2	110	3.89079
3	110	3.89832
4	110	3.90191
5	110	3.89451
6	110	3.88722
7	110	3.87185
8	110	3.84919
9	110	3.82826
10	110	3.80108
11	110	3.76298
12	110	3.71447
13	110	3.66219
14	110	3.60694
15	110	3.543
16	110	3.4866
17	110	3.42074
18	110	3.34814
19	110	3.27671
20	110	3.18823
21	110	3.10676
22	110	3.0254
23	110	2.94188
24	110	2.8554
25	110	2.76546
26	110	2.66627
27	110	2.56178
28	110	2.46559
29	110	2.33111
30	110	2.20585
31	110	2.09154
32	110	1.98144
33	110	1.88411
34	110	1.79092
35	110	1.74593
36	110	1.75505
37	110	1.78193
38	110	1.82737
39	110	1.89274
40	110	1.96712
41	110	2.03245
42	110	2.06459
43	110	2.05501
44	110	1.99046
45	110	1.85477
46	110	1.64542
47	110	1.35613
48	110	0.991394
49	110	0.539354
50	110	0.0322758
51	110	-0.486138
52	110	-0.989344
53	110	-1.41221
54	110	-1.67325
55	110	-1.72081
56	110	-1.56822
57	110	-1.2963
58	110	-0.982737
59	110	-0.702606
60	110	-0.515703
61	110	-0.466397
62	110	-0.591741
63	110	-0.905447
64	110	-1.44654
65	110	-2.16378
66	110	-3.16222
67	110	-4.26919
68	110	-5.38323
69	110	-6.13836
70	110	-6.21215
71	110	-5.60088
72	110	-4.67941

73	110	-3.74602
74	110	-2.99738
75	110	-2.52589
76	110	-2.33694
77	110	-2.49817
78	110	-3.05358
79	110	-4.02175
80	110	-5.58588
81	110	-7.9008
82	110	-11.2623
83	110	-15.3635
84	110	-14.1242
85	110	-10.2296
86	110	-7.32522
87	110	-5.32536
88	110	-4.04387
89	110	-3.25009
90	110	-2.97736
91	110	-3.09742
92	110	-3.88598
93	110	-5.05435
94	110	-6.91104
95	110	-10.1906
96	110	-16.081
97	110	-21.3594
98	110	-13.2473
99	110	-8.75124
100	110	-6.02482
101	110	-4.24327
102	110	-3.1191
103	110	-2.52389
104	110	-2.36297
105	110	-2.52197
106	110	-3.09024
107	110	-4.06402
108	110	-5.43274
109	110	-6.97284
110	110	-8.37127
111	110	-8.60163
112	110	-7.425
113	110	-5.70703
114	110	-4.12473
115	110	-2.84146
116	110	-1.91725
117	110	-1.30885
118	110	-0.996328
119	110	-0.943222
120	110	-1.12303
121	110	-1.50308
122	110	-2.03904
123	110	-2.6551
124	110	-3.19451
125	110	-3.48316
126	110	-3.37285
127	110	-2.87072
128	110	-2.17075
129	110	-1.28794
130	110	-0.49872
131	110	0.201347
132	110	0.721505
133	110	1.10753
134	110	1.36643
135	110	1.49305
136	110	1.50308
137	110	1.40628
138	110	1.22596
139	110	0.987069
140	110	0.714865
141	110	0.452634
142	110	0.238546
143	110	0.106684
144	110	0.0932982
145	110	0.18962
146	110	0.397107
147	110	0.681683
148	110	1.01001
149	110	1.3618
150	110	1.70684
151	110	2.03288
152	110	2.32291
153	110	2.58167
154	110	2.79398
155	110	2.97468
156	110	3.11899
157	110	3.23337
158	110	3.31768
159	110	3.37603
160	110	3.41852
161	110	3.43816
162	110	3.45191
163	110	3.46354
164	110	3.47704
165	110	3.47261
166	110	3.481
167	110	3.49221
168	110	3.51119
169	110	3.53137

170	110	3.55448
171	110	3.57201
172	110	3.59635
173	110	3.62131
174	110	3.65001
175	110	3.67914
176	110	3.70613
177	110	3.73748
178	110	3.77021
179	110	3.80397
180	110	3.82723
-180	111	3.68537
-179	111	3.70307
-178	111	3.71114
-177	111	3.71545
-176	111	3.71771
-175	111	3.7136
-174	111	3.70154
-173	111	3.66879
-172	111	3.64543
-171	111	3.62586
-170	111	3.6005
-169	111	3.56321
-168	111	3.51209
-167	111	3.4666
-166	111	3.42096
-165	111	3.36588
-164	111	3.31629
-163	111	3.25701
-162	111	3.20866
-161	111	3.13799
-160	111	3.10047
-159	111	3.03843
-158	111	2.96869
-157	111	2.89127
-156	111	2.80103
-155	111	2.68823
-154	111	2.59329
-153	111	2.4688
-152	111	2.34583
-151	111	2.21821
-150	111	2.08872
-149	111	1.95975
-148	111	1.84767
-147	111	1.75431
-146	111	1.69321
-145	111	1.66612
-144	111	1.67576
-143	111	1.72829
-142	111	1.80875
-141	111	1.9067
-140	111	2.00326
-139	111	2.08412
-138	111	2.13101
-137	111	2.12764
-136	111	2.06171
-135	111	1.9238
-134	111	1.70058
-133	111	1.38009
-132	111	0.975728
-131	111	0.473028
-130	111	-0.0882008
-129	111	-0.67774
-128	111	-1.22366
-127	111	-1.6534
-126	111	-1.87062
-125	111	-1.8503
-124	111	-1.61922
-123	111	-1.2795
-122	111	-0.874506
-121	111	-0.505885
-120	111	-0.284456
-119	111	-0.249933
-118	111	-0.359577
-117	111	-0.678464
-116	111	-1.22874
-115	111	-2.01548
-114	111	-3.02777
-113	111	-4.22096
-112	111	-5.41435
-111	111	-6.21481
-110	111	-6.29773
-109	111	-5.5828
-108	111	-4.52345
-107	111	-3.53674
-106	111	-2.73903
-105	111	-2.27174
-104	111	-2.10726
-103	111	-2.28721
-102	111	-2.85866
-101	111	-3.84238
-100	111	-5.17395
-99	111	-7.42857
-98	111	-10.3681
-97	111	-13.8917
-96	111	-13.5988
-95	111	-10.4048

-94	111	-7.44692
-93	111	-5.36346
-92	111	-3.99159
-91	111	-3.18171
-90	111	-2.84463
-89	111	-2.99851
-88	111	-3.59972
-87	111	-4.56894
-86	111	-5.94578
-85	111	-8.83697
-84	111	-13.6687
-83	111	-21.3236
-82	111	-15.077
-81	111	-9.66819
-80	111	-6.58126
-79	111	-4.5359
-78	111	-3.27383
-77	111	-2.49908
-76	111	-2.24238
-75	111	-2.33857
-74	111	-2.82151
-73	111	-3.71158
-72	111	-5.00226
-71	111	-6.60619
-70	111	-8.13659
-69	111	-8.6275
-68	111	-7.61897
-67	111	-5.9092
-66	111	-4.24977
-65	111	-2.88474
-64	111	-1.88732
-63	111	-1.20852
-62	111	-0.823011
-61	111	-0.708934
-60	111	-0.839177
-59	111	-1.20674
-58	111	-1.77043
-57	111	-2.44447
-56	111	-3.14191
-55	111	-3.64239
-54	111	-3.75054
-53	111	-3.35614
-52	111	-2.59674
-51	111	-1.696
-50	111	-0.80991
-49	111	-0.013969
-48	111	0.63644
-47	111	1.12893
-46	111	1.4914
-45	111	1.6988
-44	111	1.76458
-43	111	1.73266
-42	111	1.59253
-41	111	1.36346
-40	111	1.08314
-39	111	0.774093
-38	111	0.473708
-37	111	0.22693
-36	111	0.0638068
-35	111	0.0221277
-34	111	0.108611
-33	111	0.30296
-32	111	0.58612
-31	111	0.910807
-30	111	1.25974
-29	111	1.60552
-28	111	1.9299
-27	111	2.22258
-26	111	2.48327
-25	111	2.70308
-24	111	2.88835
-23	111	3.03086
-22	111	3.15382
-21	111	3.24638
-20	111	3.31271
-19	111	3.36447
-18	111	3.37905
-17	111	3.41588
-16	111	3.43276
-15	111	3.425
-14	111	3.44111
-13	111	3.44854
-12	111	3.46039
-11	111	3.46652
-10	111	3.47659
-9	111	3.48765
-8	111	3.50117
-7	111	3.52448
-6	111	3.54972
-5	111	3.57674
-4	111	3.60292
-3	111	3.62829
-2	111	3.65624
-1	111	3.67956
0	111	3.69211
1	111	3.68821
2	111	3.71595

3	111	3.71795
4	111	3.71974
5	111	3.7079
6	111	3.69586
7	111	3.67496
8	111	3.64891
9	111	3.62211
10	111	3.58993
11	111	3.54583
12	111	3.4954
13	111	3.43982
14	111	3.38207
15	111	3.32317
16	111	3.27606
17	111	3.20943
18	111	3.14854
19	111	3.07765
20	111	3.00504
21	111	2.92619
22	111	2.8538
23	111	2.77723
24	111	2.69489
25	111	2.61118
26	111	2.52324
27	111	2.42036
28	111	2.32386
29	111	2.21023
30	111	2.08905
31	111	1.97664
32	111	1.87076
33	111	1.77843
34	111	1.71452
35	111	1.67988
36	111	1.66816
37	111	1.67582
38	111	1.70456
39	111	1.77947
40	111	1.8561
41	111	1.91188
42	111	1.9409
43	111	1.93863
44	111	1.88536
45	111	1.75663
46	111	1.54611
47	111	1.25373
48	111	0.89007
49	111	0.444228
50	111	-0.0584776
51	111	-0.590754
52	111	-1.09462
53	111	-1.4936
54	111	-1.72171
55	111	-1.74894
56	111	-1.59348
57	111	-1.32074
58	111	-1.00226
59	111	-0.717572
60	111	-0.540329
61	111	-0.502364
62	111	-0.619287
63	111	-0.952653
64	111	-1.46494
65	111	-2.22981
66	111	-3.17993
67	111	-4.2756
68	111	-5.34199
69	111	-6.08991
70	111	-6.21053
71	111	-5.68793
72	111	-4.78901
73	111	-3.86492
74	111	-3.09338
75	111	-2.62344
76	111	-2.38693
77	111	-2.53682
78	111	-3.02222
79	111	-3.99277
80	111	-5.48222
81	111	-7.67756
82	111	-10.9085
83	111	-14.7205
84	111	-14.485
85	111	-10.6936
86	111	-7.71018
87	111	-5.66232
88	111	-4.28635
89	111	-3.4571
90	111	-3.12127
91	111	-3.18145
92	111	-3.88118
93	111	-4.98692
94	111	-6.64453
95	111	-9.75678
96	111	-15.0924
97	111	-22.1089
98	111	-14.3692
99	111	-9.44248

100	111	-6.51348
101	111	-4.59847
102	111	-3.40775
103	111	-2.69619
104	111	-2.44585
105	111	-2.54757
106	111	-3.04993
107	111	-3.91436
108	111	-5.18391
109	111	-6.66325
110	111	-8.14393
111	111	-8.69436
112	111	-7.77463
113	111	-6.11469
114	111	-4.47571
115	111	-3.1206
116	111	-2.13531
117	111	-1.45383
118	111	-1.06497
119	111	-0.938757
120	111	-1.04796
121	111	-1.37144
122	111	-1.86382
123	111	-2.45587
124	111	-3.03636
125	111	-3.46517
126	111	-3.50062
127	111	-3.14868
128	111	-2.51551
129	111	-1.67604
130	111	-0.87931
131	111	-0.151196
132	111	0.481586
133	111	0.917021
134	111	1.24165
135	111	1.43222
136	111	1.5007
137	111	1.46291
138	111	1.33554
139	111	1.13342
140	111	0.886747
141	111	0.622636
142	111	0.375233
143	111	0.186751
144	111	0.0835368
145	111	0.0879015
146	111	0.201102
147	111	0.403223
148	111	0.681451
149	111	0.99086
150	111	1.31955
151	111	1.63969
152	111	1.94007
153	111	2.20961
154	111	2.44867
155	111	2.64768
156	111	2.81815
157	111	2.95357
158	111	3.06065
159	111	3.14833
160	111	3.20421
161	111	3.24885
162	111	3.28466
163	111	3.31455
164	111	3.34082
165	111	3.34522
166	111	3.35898
167	111	3.38932
168	111	3.40111
169	111	3.42061
170	111	3.42305
171	111	3.45248
172	111	3.47368
173	111	3.492
174	111	3.52123
175	111	3.55139
176	111	3.5787
177	111	3.60555
178	111	3.63452
179	111	3.66182
180	111	3.68537
-180	112	3.5248
-179	112	3.54389
-178	112	3.55648
-177	112	3.5563
-176	112	3.54841
-175	112	3.53816
-174	112	3.51679
-173	112	3.48885
-172	112	3.45932
-171	112	3.43326
-170	112	3.39207
-169	112	3.34113
-168	112	3.29219
-167	112	3.23962
-166	112	3.19999
-165	112	3.14968

-164	112	3.13723
-163	112	3.06523
-162	112	3.01932
-161	112	2.9708
-160	112	2.90518
-159	112	2.84177
-158	112	2.78098
-157	112	2.71077
-156	112	2.6319
-155	112	2.52506
-154	112	2.44245
-153	112	2.3331
-152	112	2.2123
-151	112	2.08575
-150	112	1.95959
-149	112	1.84039
-148	112	1.73162
-147	112	1.65062
-146	112	1.60227
-145	112	1.5861
-144	112	1.60231
-143	112	1.65725
-142	112	1.74278
-141	112	1.84398
-140	112	1.93335
-139	112	2.00735
-138	112	2.04744
-137	112	2.03596
-136	112	1.95831
-135	112	1.80832
-134	112	1.57811
-133	112	1.24589
-132	112	0.819635
-131	112	0.324765
-130	112	-0.244339
-129	112	-0.828942
-128	112	-1.3601
-127	112	-1.774
-126	112	-1.9779
-125	112	-1.7253
-124	112	-1.63219
-123	112	-1.28661
-122	112	-0.906072
-121	112	-0.552017
-120	112	-0.322616
-119	112	-0.267245
-118	112	-0.389753
-117	112	-0.706659
-116	112	-1.24952
-115	112	-2.04807
-114	112	-3.04395
-113	112	-4.22183
-112	112	-5.40374
-111	112	-6.23177
-110	112	-6.34428
-109	112	-5.65922
-108	112	-4.62022
-107	112	-3.61765
-106	112	-2.82766
-105	112	-2.35114
-104	112	-2.16281
-103	112	-2.32203
-102	112	-2.86755
-101	112	-3.65625
-100	112	-5.06965
-99	112	-7.20225
-98	112	-10.1894
-97	112	-13.4976
-96	112	-13.8168
-95	112	-10.7594
-94	112	-7.75281
-93	112	-5.60284
-92	112	-4.18753
-91	112	-3.31542
-90	112	-2.94285
-89	112	-3.03061
-88	112	-3.57461
-87	112	-4.50547
-86	112	-5.82495
-85	112	-8.5056
-84	112	-12.9266
-83	112	-20.615
-82	112	-16.0922
-81	112	-10.4153
-80	112	-7.01551
-79	112	-4.90868
-78	112	-3.4848
-77	112	-2.6358
-76	112	-2.31059
-75	112	-2.35356
-74	112	-2.77813
-73	112	-3.56855
-72	112	-4.75746
-71	112	-6.27575
-70	112	-7.81933
-69	112	-8.5566
-68	112	-7.88553

-67	112	-6.28508
-66	112	-4.59814
-65	112	-3.18889
-64	112	-2.13178
-63	112	-1.38162
-62	112	-0.926452
-61	112	-0.746047
-60	112	-0.810415
-59	112	-1.09718
-58	112	-1.59058
-57	112	-2.22071
-56	112	-2.91662
-55	112	-3.49897
-54	112	-3.77372
-53	112	-3.58511
-52	112	-2.95749
-51	112	-2.0943
-50	112	-1.18781
-49	112	-0.356748
-48	112	0.352217
-47	112	0.913858
-46	112	1.33288
-45	112	1.60734
-44	112	1.74487
-43	112	1.77791
-42	112	1.69854
-41	112	1.52044
-40	112	1.27163
-39	112	0.980469
-38	112	0.675752
-37	112	0.396236
-36	112	0.166968
-35	112	0.0325335
-34	112	0.00846811
-33	112	0.0933454
-32	112	0.283968
-31	112	0.553111
-30	112	0.857224
-29	112	1.18262
-28	112	1.50161
-27	112	1.80309
-26	112	2.0772
-25	112	2.32327
-24	112	2.53292
-23	112	2.7012
-22	112	2.85242
-21	112	2.95663
-20	112	3.0664
-19	112	3.15067
-18	112	3.19004
-17	112	3.23243
-16	112	3.26487
-15	112	3.28148
-14	112	3.29391
-13	112	3.30956
-12	112	3.33462
-11	112	3.34319
-10	112	3.35631
-9	112	3.36919
-8	112	3.39449
-7	112	3.4135
-6	112	3.43686
-5	112	3.45758
-4	112	3.47785
-3	112	3.49729
-2	112	3.51898
-1	112	3.53751
0	112	3.54917
1	112	3.54835
2	112	3.54726
3	112	3.56346
4	112	3.5601
5	112	3.54592
6	112	3.522
7	112	3.50113
8	112	3.47043
9	112	3.43645
10	112	3.39506
11	112	3.35123
12	112	3.29703
13	112	3.23955
14	112	3.18246
15	112	3.12979
16	112	3.07606
17	112	3.01607
18	112	2.95809
19	112	2.88883
20	112	2.83676
21	112	2.7594
22	112	2.70063
23	112	2.63282
24	112	2.55815
25	112	2.4811
26	112	2.39475
27	112	2.29798
28	112	2.19248
29	112	2.083

30	112	1.96624
31	112	1.85824
32	112	1.75065
33	112	1.66109
34	112	1.59942
35	112	1.56291
36	112	1.54961
37	112	1.56854
38	112	1.61474
39	112	1.6716
40	112	1.72244
41	112	1.75154
42	112	1.77644
43	112	1.77769
44	112	1.71371
45	112	1.58395
46	112	1.39327
47	112	1.12568
48	112	0.767703
49	112	0.317078
50	112	-0.188168
51	112	-0.70963
52	112	-1.20065
53	112	-1.58902
54	112	-1.80299
55	112	-1.81053
56	112	-1.64527
57	112	-1.36958
58	112	-1.05365
59	112	-0.777229
60	112	-0.598479
61	112	-0.556007
62	112	-0.677977
63	112	-1.0093
64	112	-1.53703
65	112	-2.27578
66	112	-3.19482
67	112	-4.25998
68	112	-5.30488
69	112	-6.07416
70	112	-6.2212
71	112	-5.81623
72	112	-4.87055
73	112	-3.94521
74	112	-3.18448
75	112	-2.63819
76	112	-2.44155
77	112	-2.5188
78	112	-3.02981
79	112	-3.95456
80	112	-5.37202
81	112	-7.45499
82	112	-10.4465
83	112	-14.1569
84	112	-14.6913
85	112	-11.1351
86	112	-8.10764
87	112	-5.97617
88	112	-4.53339
89	112	-3.63929
90	112	-3.26008
91	112	-3.33862
92	112	-3.91029
93	112	-4.92699
94	112	-6.46523
95	112	-9.31502
96	112	-14.1244
97	112	-21.9885
98	112	-15.5442
99	112	-10.1317
100	112	-6.96955
101	112	-4.93461
102	112	-3.65319
103	112	-2.89825
104	112	-2.53325
105	112	-2.61198
106	112	-2.98049
107	112	-3.73938
108	112	-4.90985
109	112	-6.39635
110	112	-7.82426
111	112	-8.64293
112	112	-8.0651
113	112	-6.52955
114	112	-4.87551
115	112	-3.47663
116	112	-2.38783
117	112	-1.62732
118	112	-1.159
119	112	-0.9588
120	112	-0.999291
121	112	-1.25512
122	112	-1.69041
123	112	-2.25974
124	112	-2.8691
125	112	-3.37894
126	112	-3.5644

127	112	-3.38217
128	112	-2.83799
129	112	-2.07788
130	112	-1.25656
131	112	-0.497177
132	112	0.161775
133	112	0.674431
134	112	1.06501
135	112	1.31941
136	112	1.45263
137	112	1.47063
138	112	1.39356
139	112	1.23813
140	112	1.02011
141	112	0.767065
142	112	0.508621
143	112	0.278054
144	112	0.110255
145	112	0.0280356
146	112	0.0489997
147	112	0.149284
148	112	0.367678
149	112	0.633037
150	112	0.926366
151	112	1.23598
152	112	1.53478
153	112	1.81494
154	112	2.06408
155	112	2.28631
156	112	2.47894
157	112	2.63855
158	112	2.7731
159	112	2.87909
160	112	2.96882
161	112	3.03079
162	112	3.08507
163	112	3.13158
164	112	3.17499
165	112	3.20513
166	112	3.2219
167	112	3.24588
168	112	3.27696
169	112	3.29634
170	112	3.32392
171	112	3.34552
172	112	3.36222
173	112	3.38308
174	112	3.40573
175	112	3.42725
176	112	3.44383
177	112	3.4635
178	112	3.48849
179	112	3.51106
180	112	3.5248
-180	113	3.41015
-179	113	3.41171
-178	113	3.41152
-177	113	3.40176
-176	113	3.38706
-175	113	3.36256
-174	113	3.33284
-173	113	3.29351
-172	113	3.25681
-171	113	3.22825
-170	113	3.19064
-169	113	3.1507
-168	113	3.10475
-167	113	3.05623
-166	113	3.01596
-165	113	2.96146
-164	113	2.9328
-163	113	2.88712
-162	113	2.8315
-161	113	2.78514
-160	113	2.72784
-159	113	2.66835
-158	113	2.59981
-157	113	2.53139
-156	113	2.45779
-155	113	2.35127
-154	113	2.27718
-153	113	2.16779
-152	113	2.0499
-151	113	1.92658
-150	113	1.80455
-149	113	1.68699
-148	113	1.58586
-147	113	1.50908
-146	113	1.46787
-145	113	1.46812
-144	113	1.49997
-143	113	1.56313
-142	113	1.65663
-141	113	1.76784
-140	113	1.85493
-139	113	1.92535
-138	113	1.96407

-137	113	1.94944
-136	113	1.86304
-135	113	1.70271
-134	113	1.46108
-133	113	1.1152
-132	113	0.689296
-131	113	0.178198
-130	113	-0.403782
-129	113	-1.02482
-128	113	-1.54228
-127	113	-1.9346
-126	113	-2.09893
-125	113	-2.0376
-124	113	-1.76746
-123	113	-1.36211
-122	113	-0.948131
-121	113	-0.597804
-120	113	-0.369633
-119	113	-0.31003
-118	113	-0.431788
-117	113	-0.748625
-116	113	-1.28966
-115	113	-2.06522
-114	113	-3.06497
-113	113	-4.23346
-112	113	-5.41955
-111	113	-6.28966
-110	113	-6.431
-109	113	-5.73113
-108	113	-4.68917
-107	113	-3.72365
-106	113	-2.90439
-105	113	-2.42222
-104	113	-2.20791
-103	113	-2.35604
-102	113	-2.80149
-101	113	-3.61763
-100	113	-4.96857
-99	113	-6.97285
-98	113	-9.90072
-97	113	-12.9219
-96	113	-13.715
-95	113	-11.1022
-94	113	-8.03434
-93	113	-5.83792
-92	113	-4.37073
-91	113	-3.45774
-90	113	-3.03477
-89	113	-3.06071
-88	113	-3.55487
-87	113	-4.42183
-86	113	-5.70302
-85	113	-8.09577
-84	113	-12.0503
-83	113	-19.142
-82	113	-17.5815
-81	113	-11.0634
-80	113	-7.45704
-79	113	-5.24134
-78	113	-3.76898
-77	113	-2.84917
-76	113	-2.41264
-75	113	-2.37715
-74	113	-2.71929
-73	113	-3.42537
-72	113	-4.4948
-71	113	-5.91
-70	113	-7.45388
-69	113	-8.47939
-68	113	-8.14147
-67	113	-6.7259
-66	113	-5.05142
-65	113	-3.57921
-64	113	-2.44112
-63	113	-1.58169
-62	113	-1.05861
-61	113	-0.794122
-60	113	-0.780697
-59	113	-0.994132
-58	113	-1.41894
-57	113	-2.0123
-56	113	-2.66784
-55	113	-3.32169
-54	113	-3.73223
-53	113	-3.74591
-52	113	-3.29612
-51	113	-2.52831
-50	113	-1.64265
-49	113	-0.780061
-48	113	-0.0123141
-47	113	0.61351
-46	113	1.09841
-45	113	1.43471
-44	113	1.62604
-43	113	1.71464
-42	113	1.71068
-41	113	1.60226

-40	113	1.41213
-39	113	1.15282
-38	113	0.847026
-37	113	0.546051
-36	113	0.287041
-35	113	0.0942322
-34	113	-0.0073286
-33	113	-0.0235058
-32	113	0.0640682
-31	113	0.237239
-30	113	0.491479
-29	113	0.783359
-28	113	1.0937
-27	113	1.39793
-26	113	1.6881
-25	113	1.93551
-24	113	2.16951
-23	113	2.35213
-22	113	2.54039
-21	113	2.6797
-20	113	2.80374
-19	113	2.8967
-18	113	2.97824
-17	113	3.04403
-16	113	3.09032
-15	113	3.12097
-14	113	3.1502
-13	113	3.17913
-12	113	3.21092
-11	113	3.2258
-10	113	3.2422
-9	113	3.26583
-8	113	3.2865
-7	113	3.31449
-6	113	3.34129
-5	113	3.36427
-4	113	3.3856
-3	113	3.40546
-2	113	3.41739
-1	113	3.43003
0	113	3.44176
1	113	3.44066
2	113	3.42377
3	113	3.4252
4	113	3.4262
5	113	3.41152
6	113	3.38452
7	113	3.35588
8	113	3.31913
9	113	3.27817
10	113	3.23222
11	113	3.17816
12	113	3.12594
13	113	3.06622
14	113	3.00766
15	113	2.9552
16	113	2.90097
17	113	2.85072
18	113	2.7954
19	113	2.72248
20	113	2.67871
21	113	2.60814
22	113	2.5494
23	113	2.48055
24	113	2.40557
25	113	2.32582
26	113	2.2408
27	113	2.1447
28	113	2.04243
29	113	1.93328
30	113	1.82373
31	113	1.71306
32	113	1.6105
33	113	1.51501
34	113	1.44572
35	113	1.40755
36	113	1.39831
37	113	1.41647
38	113	1.46642
39	113	1.53224
40	113	1.59824
41	113	1.65185
42	113	1.67596
43	113	1.6593
44	113	1.57846
45	113	1.43236
46	113	1.23379
47	113	0.943273
48	113	0.566462
49	113	0.124083
50	113	-0.362263
51	113	-0.867417
52	113	-1.34487
53	113	-1.72456
54	113	-1.93252
55	113	-1.93117
56	113	-1.75047

57	113	-1.46201
58	113	-1.14144
59	113	-0.866787
60	113	-0.692098
61	113	-0.65253
62	113	-0.792541
63	113	-1.10716
64	113	-1.61125
65	113	-2.30446
66	113	-3.20327
67	113	-4.25957
68	113	-5.32753
69	113	-6.11931
70	113	-6.31128
71	113	-5.88498
72	113	-4.98061
73	113	-4.03044
74	113	-3.23561
75	113	-2.71072
76	113	-2.49074
77	113	-2.54099
78	113	-3.0253
79	113	-3.91289
80	113	-5.27022
81	113	-7.26022
82	113	-10.2289
83	113	-13.6068
84	113	-14.6102
85	113	-11.5151
86	113	-8.46367
87	113	-6.26579
88	113	-4.75563
89	113	-3.79388
90	113	-3.36719
91	113	-3.3722
92	113	-3.87742
93	113	-4.80947
94	113	-6.32426
95	113	-8.83989
96	113	-13.1361
97	113	-20.9463
98	113	-17.1476
99	113	-10.9474
100	113	-7.51865
101	113	-5.32942
102	113	-3.93232
103	113	-3.08056
104	113	-2.63772
105	113	-2.64062
106	113	-2.99529
107	113	-3.62724
108	113	-4.65583
109	113	-6.04599
110	113	-7.56252
111	113	-8.50494
112	113	-8.29593
113	113	-6.96564
114	113	-5.3311
115	113	-3.8654
116	113	-2.6157
117	113	-1.86564
118	113	-1.31644
119	113	-1.03287
120	113	-0.994309
121	113	-1.17808
122	113	-1.55342
123	113	-2.0839
124	113	-2.68355
125	113	-3.24676
126	113	-3.58874
127	113	-3.57003
128	113	-3.17777
129	113	-2.50146
130	113	-1.70765
131	113	-0.922446
132	113	-0.218948
133	113	0.404816
134	113	0.813905
135	113	1.13918
136	113	1.33768
137	113	1.42035
138	113	1.40458
139	113	1.29632
140	113	1.12207
141	113	0.897525
142	113	0.645158
143	113	0.398997
144	113	0.187465
145	113	0.038439
146	113	-0.0186358
147	113	0.0255199
148	113	0.138246
149	113	0.326763
150	113	0.574264
151	113	0.844907
152	113	1.12756
153	113	1.40619

154	113	1.6707
155	113	1.9063
156	113	2.12411
157	113	2.30777
158	113	2.46985
159	113	2.59867
160	113	2.71138
161	113	2.80119
162	113	2.87875
163	113	2.94471
164	113	3.00582
165	113	3.05132
166	113	3.08808
167	113	3.12049
168	113	3.15371
169	113	3.18797
170	113	3.21682
171	113	3.24193
172	113	3.26926
173	113	3.29091
174	113	3.31272
175	113	3.33404
176	113	3.35508
177	113	3.37349
178	113	3.38822
179	113	3.40088
180	113	3.41015
-180	114	3.28447
-179	114	3.28002
-178	114	3.27351
-177	114	3.25917
-176	114	3.23929
-175	114	3.213
-174	114	3.18347
-173	114	3.15078
-172	114	3.12195
-171	114	3.09049
-170	114	3.04296
-169	114	3.00452
-168	114	2.9559
-167	114	2.90893
-166	114	2.86581
-165	114	2.82647
-164	114	2.79191
-163	114	2.76469
-162	114	2.70743
-161	114	2.66656
-160	114	2.62003
-159	114	2.56833
-158	114	2.5074
-157	114	2.43849
-156	114	2.35529
-155	114	2.24698
-154	114	2.16653
-153	114	2.06208
-152	114	1.95085
-151	114	1.82956
-150	114	1.70585
-149	114	1.58991
-148	114	1.49141
-147	114	1.41807
-146	114	1.36959
-145	114	1.3682
-144	114	1.40299
-143	114	1.46643
-142	114	1.55535
-141	114	1.66003
-140	114	1.74823
-139	114	1.81104
-138	114	1.84113
-137	114	1.81663
-136	114	1.72322
-135	114	1.55426
-134	114	1.30847
-133	114	0.980026
-132	114	0.516168
-131	114	-0.0284037
-130	114	-0.575368
-129	114	-1.14763
-128	114	-1.67905
-127	114	-2.05848
-126	114	-2.22266
-125	114	-2.14354
-124	114	-1.86633
-123	114	-1.44752
-122	114	-1.05612
-121	114	-0.67276
-120	114	-0.448729
-119	114	-0.385676
-118	114	-0.507491
-117	114	-0.826382
-116	114	-1.3616
-115	114	-2.11477
-114	114	-3.12029
-113	114	-4.28984
-112	114	-5.48579
-111	114	-6.33636

-110	114	-6.44137
-109	114	-5.79701
-108	114	-4.79205
-107	114	-3.77128
-106	114	-2.98491
-105	114	-2.47905
-104	114	-2.27504
-103	114	-2.39837
-102	114	-2.81653
-101	114	-3.59444
-100	114	-4.88926
-99	114	-6.80709
-98	114	-9.42242
-97	114	-12.6596
-96	114	-13.7822
-95	114	-11.4213
-94	114	-8.31241
-93	114	-6.05891
-92	114	-4.54203
-91	114	-3.57227
-90	114	-3.11861
-89	114	-3.0936
-88	114	-3.52513
-87	114	-4.32559
-86	114	-5.5547
-85	114	-7.72915
-84	114	-11.4428
-83	114	-17.8307
-82	114	-18.6665
-81	114	-11.9252
-80	114	-8.08398
-79	114	-5.64097
-78	114	-4.02907
-77	114	-3.03093
-76	114	-2.52226
-75	114	-2.40539
-74	114	-2.66179
-73	114	-3.27944
-72	114	-4.26719
-71	114	-5.58064
-70	114	-7.1055
-69	114	-8.31916
-68	114	-8.37093
-67	114	-7.15214
-66	114	-5.49933
-65	114	-3.9762
-64	114	-2.74109
-63	114	-1.82314
-62	114	-1.21058
-61	114	-0.863273
-60	114	-0.769461
-59	114	-0.900719
-58	114	-1.25193
-57	114	-1.77585
-56	114	-2.41786
-55	114	-3.07868
-54	114	-3.60205
-53	114	-3.79485
-52	114	-3.55666
-51	114	-2.92562
-50	114	-2.08837
-49	114	-1.23081
-48	114	-0.434687
-47	114	0.247389
-46	114	0.798361
-45	114	1.20765
-44	114	1.47851
-43	114	1.62456
-42	114	1.67093
-41	114	1.61343
-40	114	1.47071
-39	114	1.26453
-38	114	1.00466
-37	114	0.707141
-36	114	0.425093
-35	114	0.186274
-34	114	0.0185455
-33	114	-0.0678435
-32	114	-0.0727462
-31	114	0.0149196
-30	114	0.188112
-29	114	0.425303
-28	114	0.696532
-27	114	0.984793
-26	114	1.27353
-25	114	1.55031
-24	114	1.81761
-23	114	2.03271
-22	114	2.2135
-21	114	2.38325
-20	114	2.52528
-19	114	2.64717
-18	114	2.74608
-17	114	2.83381
-16	114	2.90374
-15	114	2.94758
-14	114	2.99869

-13	114	3.03743
-12	114	3.07433
-11	114	3.09939
-10	114	3.12934
-9	114	3.15908
-8	114	3.18252
-7	114	3.21175
-6	114	3.23705
-5	114	3.25962
-4	114	3.28057
-3	114	3.28861
-2	114	3.3059
-1	114	3.31328
0	114	3.31759
1	114	3.31547
2	114	3.30175
3	114	3.27516
4	114	3.27703
5	114	3.26314
6	114	3.23537
7	114	3.19957
8	114	3.16131
9	114	3.11634
10	114	3.06505
11	114	3.01911
12	114	2.96163
13	114	2.90638
14	114	2.85048
15	114	2.80186
16	114	2.75476
17	114	2.69827
18	114	2.65
19	114	2.58165
20	114	2.54276
21	114	2.48282
22	114	2.42396
23	114	2.35663
24	114	2.28256
25	114	2.20343
26	114	2.11791
27	114	2.01909
28	114	1.92168
29	114	1.80621
30	114	1.69112
31	114	1.57675
32	114	1.47566
33	114	1.38199
34	114	1.30844
35	114	1.27174
36	114	1.26715
37	114	1.28914
38	114	1.33758
39	114	1.3992
40	114	1.46756
41	114	1.53077
42	114	1.56528
43	114	1.54872
44	114	1.4663
45	114	1.31329
46	114	1.08235
47	114	0.768091
48	114	0.369037
49	114	-0.0739971
50	114	-0.554615
51	114	-1.0678
52	114	-1.53983
53	114	-1.8961
54	114	-2.07574
55	114	-2.06771
56	114	-1.88662
57	114	-1.59183
58	114	-1.25087
59	114	-0.952758
60	114	-0.767257
61	114	-0.737761
62	114	-0.87522
63	114	-1.17009
64	114	-1.65378
65	114	-2.35278
66	114	-3.25435
67	114	-4.31802
68	114	-5.38802
69	114	-6.21483
70	114	-6.51001
71	114	-5.99567
72	114	-5.09839
73	114	-4.0564
74	114	-3.30821
75	114	-2.77562
76	114	-2.50337
77	114	-2.56713
78	114	-3.03554
79	114	-3.8641
80	114	-5.18187
81	114	-7.09853
82	114	-9.73331
83	114	-13.1399

84	114	-14.3997
85	114	-11.8332
86	114	-8.77435
87	114	-6.49951
88	114	-4.94361
89	114	-3.95174
90	114	-3.43535
91	114	-3.38965
92	114	-3.83291
93	114	-4.68708
94	114	-6.13633
95	114	-8.40815
96	114	-12.3265
97	114	-19.4562
98	114	-18.5849
99	114	-11.8011
100	114	-8.09404
101	114	-5.75415
102	114	-4.25067
103	114	-3.29977
104	114	-2.81445
105	114	-2.68494
106	114	-2.94606
107	114	-3.48311
108	114	-4.45588
109	114	-5.71162
110	114	-7.20448
111	114	-8.32009
112	114	-8.48229
113	114	-7.41504
114	114	-5.83335
115	114	-4.33149
116	114	-3.07746
117	114	-2.16131
118	114	-1.52679
119	114	-1.16075
120	114	-1.04254
121	114	-1.14506
122	114	-1.44601
123	114	-1.91713
124	114	-2.49304
125	114	-3.07761
126	114	-3.55659
127	114	-3.71832
128	114	-3.49056
129	114	-2.92234
130	114	-2.18225
131	114	-1.39157
132	114	-0.649959
133	114	-0.0144653
134	114	0.53259
135	114	0.901202
136	114	1.16877
137	114	1.3192
138	114	1.36575
139	114	1.32193
140	114	1.1962
141	114	1.01021
142	114	0.788375
143	114	0.544136
144	114	0.316693
145	114	0.124314
146	114	-0.00139811
147	114	-0.0462499
148	114	-0.0110389
149	114	0.107652
150	114	0.289161
151	114	0.519541
152	114	0.771349
153	114	1.03192
154	114	1.29019
155	114	1.53439
156	114	1.76175
157	114	1.96918
158	114	2.1533
159	114	2.3165
160	114	2.45526
161	114	2.57368
162	114	2.67417
163	114	2.77045
164	114	2.85342
165	114	2.91789
166	114	2.97043
167	114	3.01426
168	114	3.04859
169	114	3.0831
170	114	3.10988
171	114	3.14227
172	114	3.16758
173	114	3.18819
174	114	3.20563
175	114	3.22095
176	114	3.23725
177	114	3.25201
178	114	3.26478
179	114	3.27623
180	114	3.28447

-180	115	3.1609
-179	115	3.14811
-178	115	3.14016
-177	115	3.1283
-176	115	3.11007
-175	115	3.0837
-174	115	3.05458
-173	115	3.01734
-172	115	2.97977
-171	115	2.93567
-170	115	2.89399
-169	115	2.85598
-168	115	2.81615
-167	115	2.79062
-166	115	2.74617
-165	115	2.70873
-164	115	2.67009
-163	115	2.6561
-162	115	2.61076
-161	115	2.56953
-160	115	2.52552
-159	115	2.4754
-158	115	2.41825
-157	115	2.35165
-156	115	2.27361
-155	115	2.16637
-154	115	2.07634
-153	115	1.95979
-152	115	1.83513
-151	115	1.71236
-150	115	1.58968
-149	115	1.47647
-148	115	1.3764
-147	115	1.30624
-146	115	1.27036
-145	115	1.26994
-144	115	1.31149
-143	115	1.38445
-142	115	1.46799
-141	115	1.57141
-140	115	1.66766
-139	115	1.72996
-138	115	1.75661
-137	115	1.72747
-136	115	1.63185
-135	115	1.4346
-134	115	1.17314
-133	115	0.819055
-132	115	0.375509
-131	115	-0.164747
-130	115	-0.755778
-129	115	-1.3434
-128	115	-1.86407
-127	115	-2.23185
-126	115	-2.36704
-125	115	-2.24961
-124	115	-1.94492
-123	115	-1.51463
-122	115	-1.08338
-121	115	-0.739462
-120	115	-0.523069
-119	115	-0.461274
-118	115	-0.585484
-117	115	-0.926539
-116	115	-1.47193
-115	115	-2.2415
-114	115	-3.24165
-113	115	-4.40418
-112	115	-5.5798
-111	115	-6.43204
-110	115	-6.53909
-109	115	-5.88671
-108	115	-4.87227
-107	115	-3.86213
-106	115	-3.06686
-105	115	-2.55157
-104	115	-2.34972
-103	115	-2.38852
-102	115	-2.82577
-101	115	-3.5729
-100	115	-4.83636
-99	115	-6.66986
-98	115	-9.23954
-97	115	-12.4082
-96	115	-13.7609
-95	115	-11.594
-94	115	-8.5607
-93	115	-6.26542
-92	115	-4.69864
-91	115	-3.67877
-90	115	-3.18847
-89	115	-3.11073
-88	115	-3.48473
-87	115	-4.09204
-86	115	-5.35942
-85	115	-7.35023
-84	115	-10.7774

-83	115	-16.5837
-82	115	-19.8327
-81	115	-12.8399
-80	115	-8.64874
-79	115	-6.03808
-78	115	-4.36732
-77	115	-3.27964
-76	115	-2.63883
-75	115	-2.4462
-74	115	-2.61652
-73	115	-3.15224
-72	115	-4.03142
-71	115	-5.26511
-70	115	-6.73668
-69	115	-8.07108
-68	115	-8.47007
-67	115	-7.53451
-66	115	-5.95808
-65	115	-4.38488
-64	115	-3.08351
-63	115	-2.08309
-62	115	-1.38209
-61	115	-0.953684
-60	115	-0.758036
-59	115	-0.837803
-58	115	-1.09554
-57	115	-1.55224
-56	115	-2.16189
-55	115	-2.82732
-54	115	-3.43146
-53	115	-3.79818
-52	115	-3.77251
-51	115	-3.33086
-50	115	-2.59002
-49	115	-1.73951
-48	115	-0.909018
-47	115	-0.173677
-46	115	0.443728
-45	115	0.926393
-44	115	1.2683
-43	115	1.48051
-42	115	1.60483
-41	115	1.61191
-40	115	1.52236
-39	115	1.36074
-38	115	1.13892
-37	115	0.877466
-36	115	0.601317
-35	115	0.338426
-34	115	0.126992
-33	115	-0.0257543
-32	115	-0.101852
-31	115	-0.101333
-30	115	-0.0131495
-29	115	0.155405
-28	115	0.381385
-27	115	0.64132
-26	115	0.9177
-25	115	1.1894
-24	115	1.42575
-23	115	1.66581
-22	115	1.87492
-21	115	2.07498
-20	115	2.24243
-19	115	2.38274
-18	115	2.50571
-17	115	2.60517
-16	115	2.68967
-15	115	2.75933
-14	115	2.82437
-13	115	2.88444
-12	115	2.92691
-11	115	2.96172
-10	115	3.00017
-9	115	3.03298
-8	115	3.06266
-7	115	3.09171
-6	115	3.11575
-5	115	3.13853
-4	115	3.1584
-3	115	3.17445
-2	115	3.18377
-1	115	3.18593
0	115	3.18655
1	115	3.17245
2	115	3.16458
3	115	3.13717
4	115	3.10528
5	115	3.09585
6	115	3.07237
7	115	3.03993
8	115	2.99909
9	115	2.9526
10	115	2.90738
11	115	2.85851
12	115	2.81205
13	115	2.75726

14	115	2.69671
15	115	2.65622
16	115	2.61623
17	115	2.57157
18	115	2.53463
19	115	2.48558
20	115	2.4475
21	115	2.39477
22	115	2.34102
23	115	2.27875
24	115	2.21058
25	115	2.13247
26	115	2.05439
27	115	1.95365
28	115	1.84929
29	115	1.72952
30	115	1.60406
31	115	1.48076
32	115	1.3726
33	115	1.28031
34	115	1.21742
35	115	1.18538
36	115	1.18428
37	115	1.20093
38	115	1.23758
39	115	1.29771
40	115	1.36689
41	115	1.41712
42	115	1.43113
43	115	1.3995
44	115	1.31922
45	115	1.16607
46	115	0.932627
47	115	0.618636
48	115	0.232534
49	115	-0.223182
50	115	-0.736338
51	115	-1.27114
52	115	-1.75594
53	115	-2.08913
54	115	-2.25153
55	115	-2.22108
56	115	-2.01395
57	115	-1.69701
58	115	-1.35242
59	115	-1.05005
60	115	-0.876664
61	115	-0.852486
62	115	-0.957746
63	115	-1.24398
64	115	-1.73747
65	115	-2.4361
66	115	-3.34601
67	115	-4.41443
68	115	-5.48071
69	115	-6.39234
70	115	-6.63188
71	115	-6.12341
72	115	-5.22841
73	115	-4.21997
74	115	-3.41876
75	115	-2.83597
76	115	-2.5692
77	115	-2.62904
78	115	-3.05132
79	115	-3.84236
80	115	-5.11189
81	115	-7.00196
82	115	-9.52389
83	115	-12.8271
84	115	-14.4945
85	115	-12.1066
86	115	-9.03497
87	115	-6.69526
88	115	-5.09802
89	115	-4.066
90	115	-3.50948
91	115	-3.425
92	115	-3.79936
93	115	-4.57111
94	115	-5.90084
95	115	-7.98719
96	115	-11.5893
97	115	-17.9745
98	115	-20.1259
99	115	-12.7813
100	115	-8.71289
101	115	-6.17466
102	115	-4.54255
103	115	-3.48384
104	115	-2.91894
105	115	-2.75814
106	115	-2.88524
107	115	-3.4166
108	115	-4.20502
109	115	-5.37254
110	115	-6.81336

111	115	-8.14791
112	115	-8.59162
113	115	-7.84954
114	115	-6.36271
115	115	-4.81119
116	115	-3.50648
117	115	-2.50356
118	115	-1.76501
119	115	-1.31611
120	115	-1.11315
121	115	-1.13384
122	115	-1.36452
123	115	-1.75923
124	115	-2.30271
125	115	-2.90047
126	115	-3.43525
127	115	-3.76046
128	115	-3.72352
129	115	-3.3278
130	115	-2.66198
131	115	-1.88347
132	115	-1.10949
133	115	-0.418478
134	115	0.161912
135	115	0.621616
136	115	0.956685
137	115	1.17333
138	115	1.288
139	115	1.30498
140	115	1.24015
141	115	1.10587
142	115	0.915597
143	115	0.694559
144	115	0.464649
145	115	0.247148
146	115	0.0793055
147	115	-0.0316055
148	115	-0.0673626
149	115	-0.0226079
150	115	0.0939659
151	115	0.268875
152	115	0.485509
153	115	0.725882
154	115	0.975391
155	115	1.22417
156	115	1.45808
157	115	1.68065
158	115	1.87517
159	115	2.04906
160	115	2.20308
161	115	2.32953
162	115	2.45428
163	115	2.55457
164	115	2.64566
165	115	2.72427
166	115	2.79402
167	115	2.84818
168	115	2.89305
169	115	2.9321
170	115	2.97731
171	115	3.01635
172	115	3.05192
173	115	3.08401
174	115	3.1076
175	115	3.12673
176	115	3.14332
177	115	3.15488
178	115	3.16027
179	115	3.1617
180	115	3.1609
-180	116	3.01619
-179	116	3.00385
-178	116	2.99686
-177	116	2.98262
-176	116	2.96253
-175	116	2.94014
-174	116	2.91414
-173	116	2.8782
-172	116	2.84338
-171	116	2.80795
-170	116	2.77789
-169	116	2.73244
-168	116	2.70606
-167	116	2.6863
-166	116	2.64533
-165	116	2.6152
-164	116	2.59681
-163	116	2.56337
-162	116	2.55226
-161	116	2.50138
-160	116	2.46765
-159	116	2.41984
-158	116	2.36192
-157	116	2.29797
-156	116	2.19233
-155	116	2.1201
-154	116	2.02465

-153	116	1.9052
-152	116	1.7721
-151	116	1.63711
-150	116	1.50091
-149	116	1.38198
-148	116	1.28277
-147	116	1.21645
-146	116	1.18299
-145	116	1.18708
-144	116	1.22701
-143	116	1.30464
-142	116	1.39186
-141	116	1.48637
-140	116	1.5833
-139	116	1.64391
-138	116	1.66468
-137	116	1.61344
-136	116	1.49424
-135	116	1.31397
-134	116	1.03257
-133	116	0.658801
-132	116	0.197307
-131	116	-0.340286
-130	116	-0.933977
-129	116	-1.51367
-128	116	-2.01742
-127	116	-2.35092
-126	116	-2.45112
-125	116	-2.31689
-124	116	-1.98781
-123	116	-1.55673
-122	116	-1.15462
-121	116	-0.803982
-120	116	-0.600568
-119	116	-0.547053
-118	116	-0.680285
-117	116	-1.01836
-116	116	-1.56483
-115	116	-2.33936
-114	116	-3.34143
-113	116	-4.51649
-112	116	-5.70799
-111	116	-6.55979
-110	116	-6.67832
-109	116	-6.02885
-108	116	-5.01144
-107	116	-3.98804
-106	116	-3.16886
-105	116	-2.64083
-104	116	-2.38388
-103	116	-2.45082
-102	116	-2.78454
-101	116	-3.55953
-100	116	-4.79353
-99	116	-6.69639
-98	116	-9.02764
-97	116	-11.9775
-96	116	-14.0132
-95	116	-11.7829
-94	116	-8.76805
-93	116	-6.43151
-92	116	-4.82942
-91	116	-3.79566
-90	116	-3.23923
-89	116	-3.10449
-88	116	-3.41021
-87	116	-3.97242
-86	116	-5.14783
-85	116	-7.01682
-84	116	-10.1438
-83	116	-15.38
-82	116	-20.6114
-81	116	-13.9455
-80	116	-9.29811
-79	116	-6.45526
-78	116	-4.68875
-77	116	-3.5287
-76	116	-2.8333
-75	116	-2.50116
-74	116	-2.5896
-73	116	-3.0226
-72	116	-3.81154
-71	116	-4.9427
-70	116	-6.34586
-69	116	-7.73372
-68	116	-8.44056
-67	116	-7.85831
-66	116	-6.42445
-65	116	-4.84817
-64	116	-3.47315
-63	116	-2.39356
-62	116	-1.61206
-61	116	-1.10273
-60	116	-0.841352
-59	116	-0.815144
-58	116	-0.990582
-57	116	-1.37513

-56	116	-1.92517
-55	116	-2.57893
-54	116	-3.21407
-53	116	-3.74119
-52	116	-3.91918
-51	116	-3.68372
-50	116	-3.07207
-49	116	-2.26592
-48	116	-1.42654
-47	116	-0.648226
-46	116	0.0224934
-45	116	0.5713
-44	116	0.995438
-43	116	1.28189
-42	116	1.47367
-41	116	1.56157
-40	116	1.54562
-39	116	1.44094
-38	116	1.2704
-37	116	1.04808
-36	116	0.799277
-35	116	0.545101
-34	116	0.302184
-33	116	0.105368
-32	116	-0.0314624
-31	116	-0.09568
-30	116	-0.0836154
-29	116	0.0115069
-28	116	0.180524
-27	116	0.358769
-26	116	0.613834
-25	116	0.860699
-24	116	1.10633
-23	116	1.34261
-22	116	1.56068
-21	116	1.76454
-20	116	1.93973
-19	116	2.09851
-18	116	2.24529
-17	116	2.37189
-16	116	2.47646
-15	116	2.56068
-14	116	2.62249
-13	116	2.699
-12	116	2.73554
-11	116	2.78515
-10	116	2.83377
-9	116	2.87865
-8	116	2.91222
-7	116	2.94217
-6	116	2.96815
-5	116	2.98627
-4	116	3.05461
-3	116	3.01642
-2	116	3.02095
-1	116	3.02158
0	116	3.01863
1	116	3.00004
2	116	2.99052
3	116	2.97369
4	116	2.93974
5	116	2.90198
6	116	2.89077
7	116	2.86165
8	116	2.8247
9	116	2.78356
10	116	2.74371
11	116	2.70187
12	116	2.65493
13	116	2.61775
14	116	2.57404
15	116	2.55004
16	116	2.51694
17	116	2.48775
18	116	2.44652
19	116	2.42606
20	116	2.38793
21	116	2.35076
22	116	2.29861
23	116	2.24241
24	116	2.17695
25	116	2.0986
26	116	2.01675
27	116	1.90672
28	116	1.78829
29	116	1.6655
30	116	1.53266
31	116	1.40553
32	116	1.28722
33	116	1.18973
34	116	1.11806
35	116	1.08137
36	116	1.08166
37	116	1.11646
38	116	1.16906
39	116	1.22352
40	116	1.27784

41	116	1.31388
42	116	1.32243
43	116	1.28712
44	116	1.19232
45	116	1.02463
46	116	0.779433
47	116	0.451285
48	116	0.0441989
49	116	-0.430416
50	116	-0.946663
51	116	-1.46173
52	116	-1.92298
53	116	-2.26502
54	116	-2.42388
55	116	-2.38472
56	116	-2.12538
57	116	-1.76003
58	116	-1.39114
59	116	-1.1185
60	116	-0.977448
61	116	-0.938412
62	116	-1.02916
63	116	-1.33433
64	116	-1.83573
65	116	-2.52616
66	116	-3.43739
67	116	-4.50382
68	116	-5.64298
69	116	-6.54167
70	116	-6.77522
71	116	-6.31327
72	116	-5.42318
73	116	-4.38377
74	116	-3.57079
75	116	-2.97131
76	116	-2.68601
77	116	-2.72727
78	116	-3.12295
79	116	-3.87786
80	116	-5.09985
81	116	-7.05323
82	116	-9.36897
83	116	-12.3559
84	116	-14.2384
85	116	-12.3621
86	116	-9.28568
87	116	-6.91678
88	116	-5.28013
89	116	-4.20745
90	116	-3.59882
91	116	-3.44912
92	116	-3.74615
93	116	-4.44154
94	116	-5.66299
95	116	-7.57889
96	116	-10.8241
97	116	-16.3236
98	116	-21.5028
99	116	-14.0296
100	116	-9.3993
101	116	-6.65532
102	116	-4.89404
103	116	-3.73951
104	116	-3.05099
105	116	-2.7952
106	116	-2.82285
107	116	-3.25124
108	116	-4.03193
109	116	-5.05943
110	116	-6.40272
111	116	-7.81093
112	116	-8.63495
113	116	-8.22701
114	116	-6.91389
115	116	-5.35557
116	116	-3.96335
117	116	-2.97288
118	116	-2.04275
119	116	-1.51511
120	116	-1.22424
121	116	-1.16778
122	116	-1.31664
123	116	-1.64873
124	116	-2.13517
125	116	-2.70851
126	116	-3.26413
127	116	-3.72399
128	116	-3.87703
129	116	-3.66297
130	116	-3.12654
131	116	-2.40649
132	116	-1.63243
133	116	-0.895627
134	116	-0.249372
135	116	0.296907
136	116	0.684703
137	116	0.982013

138	116	1.16228
139	116	1.24515
140	116	1.241
141	116	1.16077
142	116	1.02089
143	116	0.836233
144	116	0.629828
145	116	0.421713
146	116	0.233716
147	116	0.0850427
148	116	0.00227768
149	116	-0.0212054
150	116	0.018924
151	116	0.125085
152	116	0.279011
153	116	0.471127
154	116	0.687856
155	116	0.914865
156	116	1.14234
157	116	1.36228
158	116	1.56764
159	116	1.75672
160	116	1.92053
161	116	2.07126
162	116	2.20594
163	116	2.32505
164	116	2.42893
165	116	2.52786
166	116	2.60391
167	116	2.67652
168	116	2.73669
169	116	2.79148
170	116	2.84169
171	116	2.88857
172	116	2.9244
173	116	2.95451
174	116	2.97518
175	116	2.98284
176	116	2.99028
177	116	2.9982
178	116	3.00397
179	116	3.01055
180	116	3.01619
-180	117	2.84323
-179	117	2.82927
-178	117	2.82279
-177	117	2.80835
-176	117	2.79153
-175	117	2.77394
-174	117	2.7536
-173	117	2.72015
-172	117	2.69327
-171	117	2.66326
-170	117	2.63042
-169	117	2.62755
-168	117	2.60716
-167	117	2.58803
-166	117	2.55021
-165	117	2.53508
-164	117	2.51596
-163	117	2.49988
-162	117	2.48278
-161	117	2.46245
-160	117	2.41418
-159	117	2.37294
-158	117	2.31952
-157	117	2.25389
-156	117	2.17186
-155	117	2.07866
-154	117	1.97004
-153	117	1.85142
-152	117	1.71479
-151	117	1.57919
-150	117	1.44333
-149	117	1.32012
-148	117	1.2066
-147	117	1.13388
-146	117	1.10348
-145	117	1.11109
-144	117	1.15682
-143	117	1.24238
-142	117	1.35888
-141	117	1.4517
-140	117	1.49026
-139	117	1.55606
-138	117	1.57503
-137	117	1.51998
-136	117	1.39068
-135	117	1.1841
-134	117	0.905655
-133	117	0.502768
-132	117	0.0145849
-131	117	-0.526813
-130	117	-1.10873
-129	117	-1.69536
-128	117	-2.20051
-127	117	-2.50741

-126	117	-2.58966
-125	117	-2.42295
-124	117	-2.06927
-123	117	-1.63276
-122	117	-1.18871
-121	117	-0.853358
-120	117	-0.65223
-119	117	-0.602186
-118	117	-0.737
-117	117	-1.07828
-116	117	-1.63583
-115	117	-2.42633
-114	117	-3.42898
-113	117	-4.63055
-112	117	-5.83489
-111	117	-6.69254
-110	117	-6.80265
-109	117	-6.14313
-108	117	-5.12207
-107	117	-4.1128
-106	117	-3.28568
-105	117	-2.76008
-104	117	-2.49607
-103	117	-2.54449
-102	117	-2.95744
-101	117	-3.60812
-100	117	-4.80702
-99	117	-6.57628
-98	117	-8.98703
-97	117	-11.8544
-96	117	-13.8492
-95	117	-12.0043
-94	117	-8.94347
-93	117	-6.56585
-92	117	-4.92448
-91	117	-3.85839
-90	117	-3.2391
-89	117	-3.096
-88	117	-3.36191
-87	117	-3.89807
-86	117	-4.99102
-85	117	-6.73072
-84	117	-9.58571
-83	117	-14.3713
-82	117	-20.6686
-81	117	-15.0945
-80	117	-9.9214
-79	117	-7.01962
-78	117	-5.06128
-77	117	-3.75933
-76	117	-2.98003
-75	117	-2.56881
-74	117	-2.55234
-73	117	-2.91027
-72	117	-3.59741
-71	117	-4.61928
-70	117	-5.93525
-69	117	-7.33729
-68	117	-8.29859
-67	117	-8.13834
-66	117	-6.91126
-65	117	-5.36414
-64	117	-3.92656
-63	117	-2.76547
-62	117	-1.89404
-61	117	-1.29878
-60	117	-0.951678
-59	117	-0.833572
-58	117	-0.941473
-57	117	-1.24393
-56	117	-1.73121
-55	117	-2.34843
-54	117	-3.01552
-53	117	-3.60507
-52	117	-3.98025
-51	117	-3.95536
-50	117	-3.54312
-49	117	-2.83443
-48	117	-2.00212
-47	117	-1.18595
-46	117	-0.451986
-45	117	0.170644
-44	117	0.67217
-43	117	1.03737
-42	117	1.29935
-41	117	1.46059
-40	117	1.5171
-39	117	1.48796
-38	117	1.38414
-37	117	1.22396
-36	117	1.02112
-35	117	0.790007
-34	117	0.550934
-33	117	0.323332
-32	117	0.136968
-31	117	0.0157517
-30	117	-0.0284552

-29	117	0.00380868
-28	117	0.0604936
-27	117	0.198614
-26	117	0.381688
-25	117	0.590773
-24	117	0.811584
-23	117	1.03548
-22	117	1.24872
-21	117	1.45037
-20	117	1.63916
-19	117	1.80518
-18	117	1.95606
-17	117	2.08933
-16	117	2.20628
-15	117	2.31047
-14	117	2.3947
-13	117	2.48308
-12	117	2.53639
-11	117	2.59471
-10	117	2.63708
-9	117	2.67575
-8	117	2.70785
-7	117	2.73502
-6	117	2.76638
-5	117	2.78945
-4	117	2.80911
-3	117	2.82413
-2	117	2.82995
-1	117	2.82898
0	117	2.82387
1	117	2.80712
2	117	2.79557
3	117	2.77985
4	117	2.75474
5	117	2.7168
6	117	2.67988
7	117	2.67077
8	117	2.64725
9	117	2.61665
10	117	2.58776
11	117	2.5561
12	117	2.52206
13	117	2.4852
14	117	2.47655
15	117	2.45634
16	117	2.43288
17	117	2.42247
18	117	2.38506
19	117	2.39051
20	117	2.35121
21	117	2.32095
22	117	2.27504
23	117	2.22138
24	117	2.15063
25	117	2.06639
26	117	1.97597
27	117	1.86369
28	117	1.73708
29	117	1.60762
30	117	1.47621
31	117	1.34966
32	117	1.21633
33	117	1.10362
34	117	1.03078
35	117	1.00372
36	117	1.01054
37	117	1.0391
38	117	1.08529
39	117	1.13599
40	117	1.18505
41	117	1.22064
42	117	1.22339
43	117	1.18334
44	117	1.08294
45	117	0.908855
46	117	0.652336
47	117	0.309208
48	117	-0.116435
49	117	-0.614768
50	117	-1.14572
51	117	-1.68043
52	117	-2.15142
53	117	-2.47558
54	117	-2.58937
55	117	-2.47446
56	117	-2.19245
57	117	-1.83823
58	117	-1.50457
59	117	-1.27648
60	117	-1.07823
61	117	-0.974395
62	117	-1.09494
63	117	-1.40325
64	117	-1.91653
65	117	-2.65038
66	117	-3.57552
67	117	-4.6515

68	117	-5.78896
69	117	-6.68669
70	117	-6.96262
71	117	-6.48158
72	117	-5.56681
73	117	-4.5421
74	117	-3.68737
75	117	-3.11113
76	117	-2.81401
77	117	-2.85509
78	117	-3.22543
79	117	-3.95698
80	117	-5.1412
81	117	-6.9082
82	117	-9.33926
83	117	-12.2618
84	117	-14.1857
85	117	-12.5146
86	117	-9.54893
87	117	-7.13981
88	117	-5.44762
89	117	-4.33103
90	117	-3.65605
91	117	-3.47434
92	117	-3.78299
93	117	-4.31866
94	117	-5.4362
95	117	-7.20616
96	117	-10.1474
97	117	-15.166
98	117	-21.809
99	117	-15.2908
100	117	-10.177
101	117	-7.19806
102	117	-5.29699
103	117	-4.02739
104	117	-3.24791
105	117	-2.8811
106	117	-2.88455
107	117	-3.16649
108	117	-3.82724
109	117	-4.73608
110	117	-6.03655
111	117	-7.42461
112	117	-8.516
113	117	-8.55558
114	117	-7.50203
115	117	-5.98086
116	117	-4.51731
117	117	-3.32965
118	117	-2.38492
119	117	-1.76871
120	117	-1.38534
121	117	-1.23846
122	117	-1.30905
123	117	-1.57115
124	117	-1.99027
125	117	-2.53219
126	117	-3.12274
127	117	-3.65034
128	117	-3.95043
129	117	-3.92379
130	117	-3.55126
131	117	-2.92373
132	117	-2.17465
133	117	-1.42297
134	117	-0.728672
135	117	-0.131086
136	117	0.4286
137	117	0.720525
138	117	0.990299
139	117	1.15525
140	117	1.22458
141	117	1.21634
142	117	1.13092
143	117	0.990746
144	117	0.814506
145	117	0.618462
146	117	0.427892
147	117	0.260705
148	117	0.125679
149	117	0.0498973
150	117	0.0281339
151	117	0.0724272
152	117	0.164707
153	117	0.30429
154	117	0.47558
155	117	0.665098
156	117	0.867909
157	117	1.07127
158	117	1.27591
159	117	1.46347
160	117	1.64403
161	117	1.8056
162	117	1.95031
163	117	2.08085
164	117	2.20154

165	117	2.30802
166	117	2.39965
167	117	2.48939
168	117	2.55585
169	117	2.60916
170	117	2.64869
171	117	2.68648
172	117	2.72105
173	117	2.7525
174	117	2.78497
175	117	2.80636
176	117	2.82076
177	117	2.83355
178	117	2.83903
179	117	2.8411
180	117	2.84323
-180	118	2.63103
-179	118	2.61715
-178	118	2.61208
-177	118	2.60363
-176	118	2.59472
-175	118	2.5915
-174	118	2.57265
-173	118	2.54751
-172	118	2.52846
-171	118	2.50914
-170	118	2.50813
-169	118	2.5102
-168	118	2.50272
-167	118	2.4802
-166	118	2.46474
-165	118	2.45678
-164	118	2.44709
-163	118	2.43314
-162	118	2.41995
-161	118	2.40847
-160	118	2.37159
-159	118	2.32905
-158	118	2.26998
-157	118	2.20685
-156	118	2.11971
-155	118	2.02506
-154	118	1.9074
-153	118	1.78221
-152	118	1.64579
-151	118	1.50372
-150	118	1.369
-149	118	1.25347
-148	118	1.15155
-147	118	1.08039
-146	118	1.06418
-145	118	1.0881
-144	118	1.11827
-143	118	1.18193
-142	118	1.28795
-141	118	1.38861
-140	118	1.45711
-139	118	1.49594
-138	118	1.49703
-137	118	1.42966
-136	118	1.28065
-135	118	1.06026
-134	118	0.747755
-133	118	0.343353
-132	118	-0.149799
-131	118	-0.709374
-130	118	-1.30185
-129	118	-1.8759
-128	118	-2.36085
-127	118	-2.67318
-126	118	-2.71071
-125	118	-2.50786
-124	118	-2.13305
-123	118	-1.69138
-122	118	-1.24884
-121	118	-0.914446
-120	118	-0.719425
-119	118	-0.689354
-118	118	-0.835164
-117	118	-1.18106
-116	118	-1.7433
-115	118	-2.53134
-114	118	-3.52687
-113	118	-4.72169
-112	118	-5.91264
-111	118	-6.76336
-110	118	-6.87967
-109	118	-6.23824
-108	118	-5.22886
-107	118	-4.22582
-106	118	-3.40656
-105	118	-2.83306
-104	118	-2.59715
-103	118	-2.63731
-102	118	-2.92004
-101	118	-3.65399
-100	118	-4.86713

-99	118	-6.60341
-98	118	-9.02532
-97	118	-11.8767
-96	118	-14.0023
-95	118	-12.2538
-94	118	-9.12172
-93	118	-6.71141
-92	118	-5.02101
-91	118	-3.91889
-90	118	-3.30297
-89	118	-3.12295
-88	118	-3.33513
-87	118	-3.81426
-86	118	-4.79478
-85	118	-6.4275
-84	118	-9.07566
-83	118	-13.4521
-82	118	-20.2067
-81	118	-16.2743
-80	118	-10.7119
-79	118	-7.51493
-78	118	-5.42097
-77	118	-4.01895
-76	118	-3.12534
-75	118	-2.67699
-74	118	-2.53839
-73	118	-2.79681
-72	118	-3.38403
-71	118	-4.30311
-70	118	-5.52151
-69	118	-6.9122
-68	118	-8.07064
-67	118	-8.30535
-66	118	-7.39713
-65	118	-5.93309
-64	118	-4.45507
-63	118	-3.20973
-62	118	-2.24421
-61	118	-1.55658
-60	118	-1.12624
-59	118	-0.926969
-58	118	-0.946319
-57	118	-1.16254
-56	118	-1.55869
-55	118	-2.11796
-54	118	-2.78523
-53	118	-3.43234
-52	118	-3.93597
-51	118	-4.13763
-50	118	-3.92066
-49	118	-3.35421
-48	118	-2.58034
-47	118	-1.74479
-46	118	-0.954975
-45	118	-0.270375
-44	118	0.305136
-43	118	0.756645
-42	118	1.08933
-41	118	1.33164
-40	118	1.46537
-39	118	1.50248
-38	118	1.46422
-37	118	1.3671
-36	118	1.21769
-35	118	1.03536
-34	118	0.823251
-33	118	0.596392
-32	118	0.378503
-31	118	0.177021
-30	118	0.0992124
-29	118	0.061772
-28	118	0.0835581
-27	118	0.149059
-26	118	0.263781
-25	118	0.423669
-24	118	0.585569
-23	118	0.772783
-22	118	0.968893
-21	118	1.1555
-20	118	1.3442
-19	118	1.50362
-18	118	1.66037
-17	118	1.8018
-16	118	1.93226
-15	118	2.0434
-14	118	2.13131
-13	118	2.21283
-12	118	2.28329
-11	118	2.34678
-10	118	2.40344
-9	118	2.45499
-8	118	2.49467
-7	118	2.52868
-6	118	2.55191
-5	118	2.57018
-4	118	2.58365
-3	118	2.59378

-2	118	2.60299
-1	118	2.60772
0	118	2.61126
1	118	2.59584
2	118	2.58592
3	118	2.57036
4	118	2.55329
5	118	2.53269
6	118	2.50463
7	118	2.47145
8	118	2.47647
9	118	2.46524
10	118	2.43994
11	118	2.42534
12	118	2.40414
13	118	2.39801
14	118	2.3902
15	118	2.38816
16	118	2.38159
17	118	2.37771
18	118	2.34897
19	118	2.35848
20	118	2.33017
21	118	2.30316
22	118	2.25853
23	118	2.20179
24	118	2.12814
25	118	2.04035
26	118	1.94389
27	118	1.82697
28	118	1.69873
29	118	1.55564
30	118	1.40438
31	118	1.26215
32	118	1.13436
33	118	1.03618
34	118	0.966802
35	118	0.936268
36	118	0.937327
37	118	0.969321
38	118	1.02259
39	118	1.08337
40	118	1.13396
41	118	1.16435
42	118	1.15884
43	118	1.10172
44	118	0.980504
45	118	0.788539
46	118	0.515038
47	118	0.155354
48	118	-0.286499
49	118	-0.801515
50	118	-1.34971
51	118	-1.90685
52	118	-2.38747
53	118	-2.7044
54	118	-2.82253
55	118	-2.68264
56	118	-2.39156
57	118	-2.03434
58	118	-1.70945
59	118	-1.39569
60	118	-1.15871
61	118	-1.12398
62	118	-1.26321
63	118	-1.56933
64	118	-2.05047
65	118	-2.76403
66	118	-3.69399
67	118	-4.80057
68	118	-5.967
69	118	-6.80873
70	118	-7.03882
71	118	-6.6019
72	118	-5.62419
73	118	-4.60577
74	118	-3.74659
75	118	-3.16903
76	118	-2.8835
77	118	-2.91541
78	118	-3.2707
79	118	-3.99132
80	118	-5.17003
81	118	-6.87626
82	118	-9.30559
83	118	-12.1964
84	118	-14.2514
85	118	-12.7825
86	118	-9.76328
87	118	-7.32974
88	118	-5.59006
89	118	-4.44622
90	118	-3.77582
91	118	-3.50058
92	118	-3.75037
93	118	-4.20086
94	118	-5.21327

95	118	-6.85249
96	118	-9.54296
97	118	-14.0714
98	118	-21.2762
99	118	-16.7212
100	118	-11.0362
101	118	-7.78984
102	118	-5.73617
103	118	-4.34507
104	118	-3.46273
105	118	-2.99999
106	118	-2.91567
107	118	-3.15155
108	118	-3.67665
109	118	-4.57871
110	118	-5.70039
111	118	-7.07463
112	118	-8.34868
113	118	-8.78866
114	118	-8.07012
115	118	-6.66495
116	118	-5.13136
117	118	-3.84548
118	118	-2.78974
119	118	-2.07123
120	118	-1.60141
121	118	-1.35837
122	118	-1.33378
123	118	-1.5062
124	118	-1.8544
125	118	-2.3523
126	118	-2.93578
127	118	-3.50111
128	118	-3.92678
129	118	-4.08064
130	118	-3.88134
131	118	-3.37208
132	118	-2.67297
133	118	-1.91048
134	118	-1.17976
135	118	-0.539665
136	118	0.0047472
137	118	0.480082
138	118	0.764264
139	118	1.00549
140	118	1.14822
141	118	1.2054
142	118	1.1923
143	118	1.11849
144	118	0.994109
145	118	0.84249
146	118	0.671657
147	118	0.502295
148	118	0.346617
149	118	0.223528
150	118	0.150443
151	118	0.125921
152	118	0.156939
153	118	0.231861
154	118	0.352399
155	118	0.497167
156	118	0.66402
157	118	0.841856
158	118	1.02298
159	118	1.19998
160	118	1.37216
161	118	1.53215
162	118	1.68358
163	118	1.81342
164	118	1.93696
165	118	2.04222
166	118	2.13605
167	118	2.22329
168	118	2.30235
169	118	2.36928
170	118	2.42077
171	118	2.46826
172	118	2.50862
173	118	2.54504
174	118	2.5784
175	118	2.60058
176	118	2.61485
177	118	2.62345
178	118	2.62774
179	118	2.62797
180	118	2.63103
-180	119	2.40616
-179	119	2.39542
-178	119	2.39481
-177	119	2.39145
-176	119	2.39234
-175	119	2.39657
-174	119	2.37818
-173	119	2.36573
-172	119	2.35431
-171	119	2.36605
-170	119	2.37323

-169	119	2.38112
-168	119	2.38722
-167	119	2.39199
-166	119	2.37791
-165	119	2.3868
-164	119	2.37766
-163	119	2.3738
-162	119	2.36275
-161	119	2.34052
-160	119	2.31714
-159	119	2.27146
-158	119	2.21802
-157	119	2.14564
-156	119	2.06049
-155	119	1.95815
-154	119	1.83204
-153	119	1.7042
-152	119	1.56133
-151	119	1.41821
-150	119	1.28719
-149	119	1.1832
-148	119	1.09279
-147	119	1.02858
-146	119	0.998428
-145	119	1.00475
-144	119	1.07626
-143	119	1.15167
-142	119	1.24424
-141	119	1.3372
-140	119	1.40561
-139	119	1.43782
-138	119	1.42497
-137	119	1.31706
-136	119	1.17916
-135	119	0.933122
-134	119	0.605173
-133	119	0.185958
-132	119	-0.318848
-131	119	-0.88581
-130	119	-1.48433
-129	119	-2.067
-128	119	-2.53339
-127	119	-2.80515
-126	119	-2.81606
-125	119	-2.57068
-124	119	-2.17252
-123	119	-1.73648
-122	119	-1.30089
-121	119	-0.968448
-120	119	-0.85355
-119	119	-0.765478
-118	119	-0.92466
-117	119	-1.28164
-116	119	-1.85424
-115	119	-2.63217
-114	119	-3.65108
-113	119	-4.84217
-112	119	-6.03437
-111	119	-6.87947
-110	119	-6.98324
-109	119	-6.34047
-108	119	-5.33112
-107	119	-4.32698
-106	119	-3.49544
-105	119	-2.91041
-104	119	-2.65815
-103	119	-2.60929
-102	119	-2.9698
-101	119	-3.71977
-100	119	-4.96977
-99	119	-6.62538
-98	119	-8.90117
-97	119	-11.7432
-96	119	-14.2214
-95	119	-12.5433
-94	119	-9.38393
-93	119	-6.91218
-92	119	-5.16987
-91	119	-4.00942
-90	119	-3.36455
-89	119	-3.13768
-88	119	-3.32168
-87	119	-3.75235
-86	119	-4.68276
-85	119	-6.18587
-84	119	-8.61794
-83	119	-12.603
-82	119	-19
-81	119	-17.0557
-80	119	-11.6497
-79	119	-8.00185
-78	119	-5.74455
-77	119	-4.26314
-76	119	-3.28074
-75	119	-2.74521
-74	119	-2.57633
-73	119	-2.70866

-72	119	-3.20508
-71	119	-4.02058
-70	119	-5.14721
-69	119	-6.50413
-68	119	-7.80897
-67	119	-8.43906
-66	119	-7.9052
-65	119	-6.55121
-64	119	-5.05745
-63	119	-3.72937
-62	119	-2.67379
-61	119	-1.8868
-60	119	-1.35312
-59	119	-1.04906
-58	119	-0.974726
-57	119	-1.11198
-56	119	-1.43634
-55	119	-1.92038
-54	119	-2.53715
-53	119	-3.21734
-52	119	-3.79009
-51	119	-4.19102
-50	119	-4.18018
-49	119	-3.78889
-48	119	-3.11865
-47	119	-2.30785
-46	119	-1.48535
-45	119	-0.736336
-44	119	-0.0883723
-43	119	0.442469
-42	119	0.848151
-41	119	1.16804
-40	119	1.37557
-39	119	1.4891
-38	119	1.51777
-37	119	1.47956
-36	119	1.38788
-35	119	1.2481
-34	119	1.07851
-33	119	0.932363
-32	119	0.681841
-31	119	0.486822
-30	119	0.328403
-29	119	0.225741
-28	119	0.182522
-27	119	0.190165
-26	119	0.238131
-25	119	0.327506
-24	119	0.443365
-23	119	0.580246
-22	119	0.735079
-21	119	0.898919
-20	119	1.0674
-19	119	1.2221
-18	119	1.36978
-17	119	1.50976
-16	119	1.64034
-15	119	1.76058
-14	119	1.85611
-13	119	1.94373
-12	119	2.0148
-11	119	2.08518
-10	119	2.14464
-9	119	2.19496
-8	119	2.23664
-7	119	2.27467
-6	119	2.29774
-5	119	2.32992
-4	119	2.34276
-3	119	2.35494
-2	119	2.36206
-1	119	2.36175
0	119	2.36519
1	119	2.35245
2	119	2.35216
3	119	2.34737
4	119	2.34184
5	119	2.33673
6	119	2.32855
7	119	2.31628
8	119	2.29731
9	119	2.30407
10	119	2.30499
11	119	2.29717
12	119	2.30688
13	119	2.31308
14	119	2.30622
15	119	2.31446
16	119	2.31744
17	119	2.31313
18	119	2.31659
19	119	2.32591
20	119	2.30568
21	119	2.27878
22	119	2.23567
23	119	2.17435
24	119	2.09924

25	119	2.00818
26	119	1.89983
27	119	1.76903
28	119	1.61905
29	119	1.46954
30	119	1.32335
31	119	1.18973
32	119	1.07108
33	119	0.976641
34	119	0.91711
35	119	0.896736
36	119	0.911387
37	119	0.949945
38	119	1.00544
39	119	1.06905
40	119	1.11762
41	119	1.13879
42	119	1.11846
43	119	1.04435
44	119	0.905072
45	119	0.686113
46	119	0.386728
47	119	0.00613317
48	119	-0.450639
49	119	-0.9945
50	119	-1.55544
51	119	-2.11981
52	119	-2.58773
53	119	-2.87963
54	119	-2.95345
55	119	-2.79882
56	119	-2.50204
57	119	-2.16898
58	119	-1.77365
59	119	-1.42357
60	119	-1.23898
61	119	-1.20005
62	119	-1.33281
63	119	-1.65334
64	119	-2.17976
65	119	-2.91921
66	119	-3.84744
67	119	-4.93471
68	119	-6.06435
69	119	-6.96997
70	119	-7.32708
71	119	-6.76691
72	119	-5.7777
73	119	-4.73985
74	119	-3.87035
75	119	-3.2827
76	119	-2.9885
77	119	-3.01449
78	119	-3.33767
79	119	-4.04393
80	119	-5.24861
81	119	-6.83167
82	119	-9.09687
83	119	-11.9796
84	119	-14.3749
85	119	-13.0775
86	119	-9.88757
87	119	-7.56391
88	119	-5.776
89	119	-4.57589
90	119	-3.86561
91	119	-3.53098
92	119	-3.71807
93	119	-4.09926
94	119	-5.02012
95	119	-6.51696
96	119	-8.93793
97	119	-12.9528
98	119	-19.7251
99	119	-18.531
100	119	-12.1065
101	119	-8.40309
102	119	-6.18536
103	119	-4.66922
104	119	-3.68771
105	119	-3.13188
106	119	-2.95773
107	119	-3.09106
108	119	-3.51422
109	119	-4.31065
110	119	-5.42784
111	119	-6.72557
112	119	-8.08976
113	119	-8.9291
114	119	-8.56295
115	119	-7.35396
116	119	-5.81123
117	119	-4.41371
118	119	-3.28434
119	119	-2.43592
120	119	-1.85713
121	119	-1.51125

122	119	-1.39197
123	119	-1.46763
124	119	-1.7311
125	119	-2.14027
126	119	-2.66284
127	119	-3.21548
128	119	-3.74285
129	119	-4.05952
130	119	-4.08029
131	119	-3.7565
132	119	-3.16946
133	119	-2.4434
134	119	-1.69636
135	119	-1.0004
136	119	-0.391862
137	119	0.121974
138	119	0.566171
139	119	0.832567
140	119	1.04745
141	119	1.1734
142	119	1.22548
143	119	1.21186
144	119	1.14543
145	119	1.03781
146	119	0.904407
147	119	0.758599
148	119	0.611644
149	119	0.479574
150	119	0.372338
151	119	0.30046
152	119	0.271348
153	119	0.284594
154	119	0.337059
155	119	0.42514
156	119	0.539717
157	119	0.672229
158	119	0.817116
159	119	0.965888
160	119	1.11518
161	119	1.26232
162	119	1.38604
163	119	1.51347
164	119	1.63377
165	119	1.75363
166	119	1.84862
167	119	1.95218
168	119	2.04029
169	119	2.11448
170	119	2.17111
171	119	2.21863
172	119	2.25784
173	119	2.293
174	119	2.3279
175	119	2.35808
176	119	2.37852
177	119	2.39237
178	119	2.39975
179	119	2.40059
180	119	2.40616
-180	120	2.17747
-179	120	2.17259
-178	120	2.17738
-177	120	2.18432
-176	120	2.20093
-175	120	2.20569
-174	120	2.19641
-173	120	2.19353
-172	120	2.20242
-171	120	2.21987
-170	120	2.24061
-169	120	2.25028
-168	120	2.28204
-167	120	2.28427
-166	120	2.29745
-165	120	2.32063
-164	120	2.3185
-163	120	2.31488
-162	120	2.30138
-161	120	2.28776
-160	120	2.25193
-159	120	2.21146
-158	120	2.14319
-157	120	2.07559
-156	120	1.98104
-155	120	1.86773
-154	120	1.73124
-153	120	1.59169
-152	120	1.45606
-151	120	1.32534
-150	120	1.19673
-149	120	1.07512
-148	120	0.998179
-147	120	0.955587
-146	120	0.947612
-145	120	0.974198
-144	120	1.03829
-143	120	1.12701

-142	120	1.21903
-141	120	1.30902
-140	120	1.35272
-139	120	1.38696
-138	120	1.34297
-137	120	1.25559
-136	120	1.08145
-135	120	0.81658
-134	120	0.468328
-133	120	0.0340887
-132	120	-0.482122
-131	120	-1.06248
-130	120	-1.67298
-129	120	-2.2497
-128	120	-2.7053
-127	120	-2.93351
-126	120	-2.89546
-125	120	-2.61604
-124	120	-2.19708
-123	120	-1.75131
-122	120	-1.33581
-121	120	-1.00792
-120	120	-0.828511
-119	120	-0.827537
-118	120	-0.999964
-117	120	-1.37762
-116	120	-1.95129
-115	120	-2.77754
-114	120	-3.81026
-113	120	-4.99782
-112	120	-6.174
-111	120	-6.9866
-110	120	-7.05534
-109	120	-6.39489
-108	120	-5.3888
-107	120	-4.41106
-106	120	-3.59286
-105	120	-3.00688
-104	120	-2.74224
-103	120	-2.6933
-102	120	-3.0493
-101	120	-3.78813
-100	120	-4.95719
-99	120	-6.63846
-98	120	-8.89481
-97	120	-11.7374
-96	120	-14.3579
-95	120	-12.8942
-94	120	-9.63425
-93	120	-7.07647
-92	120	-5.29117
-91	120	-4.10813
-90	120	-3.41768
-89	120	-3.15752
-88	120	-3.30072
-87	120	-3.7022
-86	120	-4.55931
-85	120	-5.96415
-84	120	-8.13013
-83	120	-11.8487
-82	120	-18.0229
-81	120	-18.853
-80	120	-12.4145
-79	120	-8.56663
-78	120	-6.14436
-77	120	-4.51564
-76	120	-3.50331
-75	120	-2.8532
-74	120	-2.60862
-73	120	-2.65963
-72	120	-3.06612
-71	120	-3.79142
-70	120	-4.82619
-69	120	-6.13334
-68	120	-7.51461
-67	120	-8.46054
-66	120	-8.34453
-65	120	-7.21307
-64	120	-5.71135
-63	120	-4.31642
-62	120	-3.14682
-61	120	-2.2523
-60	120	-1.62521
-59	120	-1.23996
-58	120	-1.06742
-57	120	-1.10323
-56	120	-1.33478
-55	120	-1.735
-54	120	-2.27692
-53	120	-2.91763
-52	120	-3.5638
-51	120	-4.04194
-50	120	-4.25903
-49	120	-4.21762
-48	120	-3.56503
-47	120	-2.84048
-46	120	-2.02308

-45	120	-1.23484
-44	120	-0.526938
-43	120	0.0813643
-42	120	0.560421
-41	120	0.946836
-40	120	1.23522
-39	120	1.42542
-38	120	1.52688
-37	120	1.55713
-36	120	1.52355
-35	120	1.42939
-34	120	1.30167
-33	120	1.13855
-32	120	0.961733
-31	120	0.778596
-30	120	0.614752
-29	120	0.477759
-28	120	0.376753
-27	120	0.324203
-26	120	0.310628
-25	120	0.336609
-24	120	0.397
-23	120	0.483604
-22	120	0.582146
-21	120	0.701796
-20	120	0.828404
-19	120	0.967958
-18	120	1.08531
-17	120	1.22088
-16	120	1.34432
-15	120	1.46049
-14	120	1.55829
-13	120	1.63843
-12	120	1.72128
-11	120	1.79219
-10	120	1.86013
-9	120	1.91458
-8	120	1.96234
-7	120	1.99424
-6	120	2.03092
-5	120	2.05877
-4	120	2.07805
-3	120	2.09593
-2	120	2.10742
-1	120	2.11712
0	120	2.12689
1	120	2.1204
2	120	2.12274
3	120	2.11923
4	120	2.11829
5	120	2.11678
6	120	2.12339
7	120	2.1328
8	120	2.13281
9	120	2.12026
10	120	2.13318
11	120	2.17189
12	120	2.19035
13	120	2.2002
14	120	2.20938
15	120	2.24056
16	120	2.25163
17	120	2.24484
18	120	2.27145
19	120	2.27117
20	120	2.24984
21	120	2.22103
22	120	2.17517
23	120	2.11299
24	120	2.02894
25	120	1.92284
26	120	1.79906
27	120	1.6731
28	120	1.52591
29	120	1.39245
30	120	1.25079
31	120	1.11113
32	120	0.999226
33	120	0.912637
34	120	0.867724
35	120	0.852644
36	120	0.870093
37	120	0.910433
38	120	0.966815
39	120	1.02548
40	120	1.06877
41	120	1.08069
42	120	1.04831
43	120	0.959412
44	120	0.802434
45	120	0.566908
46	120	0.245769
47	120	-0.160267
48	120	-0.644628
49	120	-1.20368
50	120	-1.77601
51	120	-2.32349

52	120	-2.76283
53	120	-3.02369
54	120	-3.04808
55	120	-2.89666
56	120	-2.60144
57	120	-2.17908
58	120	-1.77566
59	120	-1.48088
60	120	-1.30692
61	120	-1.28679
62	120	-1.43171
63	120	-1.76667
64	120	-2.3005
65	120	-3.00249
66	120	-3.9541
67	120	-5.09574
68	120	-6.27278
69	120	-7.21641
70	120	-7.52192
71	120	-6.92325
72	120	-5.91617
73	120	-4.88209
74	120	-4.01097
75	120	-3.397
76	120	-3.09166
77	120	-3.08369
78	120	-3.3994
79	120	-4.09659
80	120	-5.21479
81	120	-6.84414
82	120	-9.08564
83	120	-12.0486
84	120	-14.8361
85	120	-13.6442
86	120	-10.5157
87	120	-7.88049
88	120	-6.02349
89	120	-4.75853
90	120	-3.98852
91	120	-3.59059
92	120	-3.70082
93	120	-4.00788
94	120	-4.84008
95	120	-6.20671
96	120	-8.32541
97	120	-12.0152
98	120	-18.1336
99	120	-20.0627
100	120	-13.2175
101	120	-9.11473
102	120	-6.61543
103	120	-5.04283
104	120	-3.95683
105	120	-3.3008
106	120	-3.04147
107	120	-3.08017
108	120	-3.43937
109	120	-4.08587
110	120	-5.09502
111	120	-6.38539
112	120	-7.75605
113	120	-8.86477
114	120	-8.96787
115	120	-7.94649
116	120	-6.51137
117	120	-5.03884
118	120	-3.79739
119	120	-2.82527
120	120	-2.04392
121	120	-1.6778
122	120	-1.44576
123	120	-1.42973
124	120	-1.60911
125	120	-1.95061
126	120	-2.42513
127	120	-2.97587
128	120	-3.52878
129	120	-3.96264
130	120	-4.15458
131	120	-4.01766
132	120	-3.58656
133	120	-2.94869
134	120	-2.21951
135	120	-1.49691
136	120	-0.837974
137	120	-0.26323
138	120	0.216189
139	120	0.62392
140	120	0.884228
141	120	1.08628
142	120	1.2068
143	120	1.26516
144	120	1.25983
145	120	1.2058
146	120	1.11896
147	120	1.00326
148	120	0.878851

149	120	0.748215
150	120	0.630873
151	120	0.532278
152	120	0.460518
153	120	0.421808
154	120	0.417226
155	120	0.438948
156	120	0.486319
157	120	0.565291
158	120	0.65813
159	120	0.769444
160	120	0.896286
161	120	1.01457
162	120	1.13467
163	120	1.25715
164	120	1.36398
165	120	1.4798
166	120	1.57286
167	120	1.66857
168	120	1.75836
169	120	1.83804
170	120	1.90309
171	120	1.95155
172	120	1.99041
173	120	2.02545
174	120	2.06104
175	120	2.09503
176	120	2.122
177	120	2.14342
178	120	2.15868
179	120	2.16834
180	120	2.17747
-180	121	1.96712
-179	121	1.97182
-178	121	1.98583
-177	121	2.00476
-176	121	2.02897
-175	121	2.03572
-174	121	2.04037
-173	121	2.05811
-172	121	2.08699
-171	121	2.09932
-170	121	2.12902
-169	121	2.15588
-168	121	2.1787
-167	121	2.19974
-166	121	2.22647
-165	121	2.25126
-164	121	2.25651
-163	121	2.25036
-162	121	2.23851
-161	121	2.21482
-160	121	2.18107
-159	121	2.11524
-158	121	2.05203
-157	121	1.94106
-156	121	1.85336
-155	121	1.74829
-154	121	1.62269
-153	121	1.4721
-152	121	1.32629
-151	121	1.19243
-150	121	1.07174
-149	121	0.967631
-148	121	0.896182
-147	121	0.865942
-146	121	0.872492
-145	121	0.919565
-144	121	0.997929
-143	121	1.09083
-142	121	1.18241
-141	121	1.27542
-140	121	1.33573
-139	121	1.33722
-138	121	1.28586
-137	121	1.17121
-136	121	0.966533
-135	121	0.683807
-134	121	0.318931
-133	121	-0.1254
-132	121	-0.656809
-131	121	-1.25721
-130	121	-1.87406
-129	121	-2.43888
-128	121	-2.85822
-127	121	-3.03294
-126	121	-2.93804
-125	121	-2.62592
-124	121	-2.19348
-123	121	-1.74317
-122	121	-1.35545
-121	121	-1.03965
-120	121	-0.879897
-119	121	-0.890233
-118	121	-1.0874
-117	121	-1.46635
-116	121	-2.07586

-115	121	-2.91806
-114	121	-3.97163
-113	121	-5.1735
-112	121	-6.33864
-111	121	-7.11199
-110	121	-7.14005
-109	121	-6.45739
-108	121	-5.47014
-107	121	-4.47383
-106	121	-3.64989
-105	121	-3.03965
-104	121	-2.76309
-103	121	-2.74021
-102	121	-3.08257
-101	121	-3.86054
-100	121	-4.96618
-99	121	-6.63709
-98	121	-8.89123
-97	121	-11.9003
-96	121	-14.7728
-95	121	-13.4326
-94	121	-9.97001
-93	121	-7.33514
-92	121	-5.50432
-91	121	-4.28393
-90	121	-3.52603
-89	121	-3.22923
-88	121	-3.33151
-87	121	-3.73886
-86	121	-4.46576
-85	121	-5.75088
-84	121	-7.7381
-83	121	-11.1957
-82	121	-16.6908
-81	121	-19.6478
-80	121	-13.426
-79	121	-9.19557
-78	121	-6.62789
-77	121	-4.87821
-76	121	-3.71411
-75	121	-3.02603
-74	121	-2.68617
-73	121	-2.6758
-72	121	-2.95148
-71	121	-3.58042
-70	121	-4.53544
-69	121	-5.74903
-68	121	-7.17298
-67	121	-8.37701
-66	121	-8.73108
-65	121	-7.89074
-64	121	-6.42725
-63	121	-4.94072
-62	121	-3.68993
-61	121	-2.68839
-60	121	-1.9493
-59	121	-1.45013
-58	121	-1.18192
-57	121	-1.11785
-56	121	-1.23942
-55	121	-1.54543
-54	121	-2.0012
-53	121	-2.57656
-52	121	-3.21502
-51	121	-3.78663
-50	121	-4.14563
-49	121	-4.20097
-48	121	-3.89564
-47	121	-3.46552
-46	121	-2.54643
-45	121	-1.75331
-44	121	-1.00785
-43	121	-0.342139
-42	121	0.211327
-41	121	0.660751
-40	121	1.02057
-39	121	1.28442
-38	121	1.45816
-37	121	1.57266
-36	121	1.55798
-35	121	1.5624
-34	121	1.48002
-33	121	1.36165
-32	121	1.21729
-31	121	1.05833
-30	121	0.901431
-29	121	0.756639
-28	121	0.635621
-27	121	0.539411
-26	121	0.471331
-25	121	0.436883
-24	121	0.43156
-23	121	0.466864
-22	121	0.522414
-21	121	0.591665
-20	121	0.680271
-19	121	0.771949

-18	121	0.86991
-17	121	0.97456
-16	121	1.08006
-15	121	1.18507
-14	121	1.27041
-13	121	1.35127
-12	121	1.43037
-11	121	1.48629
-10	121	1.55833
-9	121	1.61522
-8	121	1.66439
-7	121	1.6928
-6	121	1.75256
-5	121	1.7817
-4	121	1.80479
-3	121	1.83416
-2	121	1.86187
-1	121	1.88251
0	121	1.89735
1	121	1.89726
2	121	1.90812
3	121	1.91471
4	121	1.92761
5	121	1.9368
6	121	1.95177
7	121	1.9629
8	121	1.96944
9	121	1.97373
10	121	1.9835
11	121	2.01803
12	121	2.06786
13	121	2.10332
14	121	2.13718
15	121	2.17319
16	121	2.19093
17	121	2.18152
18	121	2.21325
19	121	2.19605
20	121	2.17764
21	121	2.14034
22	121	2.08158
23	121	2.00281
24	121	1.91159
25	121	1.80831
26	121	1.69022
27	121	1.56902
28	121	1.40864
29	121	1.26557
30	121	1.12301
31	121	0.988192
32	121	0.883438
33	121	0.805273
34	121	0.773449
35	121	0.778523
36	121	0.815353
37	121	0.879134
38	121	0.934881
39	121	0.996282
40	121	1.04264
41	121	1.0541
42	121	1.01505
43	121	0.917497
44	121	0.741748
45	121	0.481979
46	121	0.130473
47	121	-0.30211
48	121	-0.809398
49	121	-1.37846
50	121	-1.94012
51	121	-2.48278
52	121	-2.91156
53	121	-3.15192
54	121	-3.03939
55	121	-3.02697
56	121	-2.6521
57	121	-2.24564
58	121	-1.84842
59	121	-1.56441
60	121	-1.39965
61	121	-1.38284
62	121	-1.53854
63	121	-1.88565
64	121	-2.39486
65	121	-3.13955
66	121	-4.1118
67	121	-5.28361
68	121	-6.45645
69	121	-7.40849
70	121	-7.56895
71	121	-7.01867
72	121	-5.9848
73	121	-4.97346
74	121	-4.12351
75	121	-3.49377
76	121	-3.17142
77	121	-3.15014
78	121	-3.45604

79	121	-4.19468
80	121	-5.2314
81	121	-6.81689
82	121	-8.99882
83	121	-11.9138
84	121	-14.9246
85	121	-14.1281
86	121	-10.9394
87	121	-8.09999
88	121	-6.29913
89	121	-4.9853
90	121	-4.16025
91	121	-3.75865
92	121	-3.7565
93	121	-4.00671
94	121	-4.76291
95	121	-6.06727
96	121	-7.97356
97	121	-11.4041
98	121	-16.9829
99	121	-21.2785
100	121	-14.3066
101	121	-9.82414
102	121	-7.12897
103	121	-5.43924
104	121	-4.24118
105	121	-3.50299
106	121	-3.16363
107	121	-3.12247
108	121	-3.39732
109	121	-3.98432
110	121	-4.84762
111	121	-6.04692
112	121	-7.41125
113	121	-8.72049
114	121	-9.25014
115	121	-8.55592
116	121	-7.10803
117	121	-5.66144
118	121	-4.31575
119	121	-3.24912
120	121	-2.44158
121	121	-1.90107
122	121	-1.58208
123	121	-1.47084
124	121	-1.53431
125	121	-1.7807
126	121	-2.16369
127	121	-2.66083
128	121	-3.22422
129	121	-3.73117
130	121	-4.08402
131	121	-4.16327
132	121	-3.92687
133	121	-3.42158
134	121	-2.75676
135	121	-2.0314
136	121	-1.3292
137	121	-0.697423
138	121	-0.152411
139	121	0.307859
140	121	0.671336
141	121	0.945674
142	121	1.12565
143	121	1.24715
144	121	1.30779
145	121	1.31252
146	121	1.26729
147	121	1.20662
148	121	1.11259
149	121	1.00106
150	121	0.884814
151	121	0.769068
152	121	0.672968
153	121	0.593352
154	121	0.536619
155	121	0.510029
156	121	0.511337
157	121	0.538764
158	121	0.592639
159	121	0.663376
160	121	0.752197
161	121	0.840191
162	121	0.939706
163	121	1.03045
164	121	1.13112
165	121	1.23316
166	121	1.31974
167	121	1.40527
168	121	1.48667
169	121	1.56097
170	121	1.63244
171	121	1.68774
172	121	1.72705
173	121	1.76201
174	121	1.79726
175	121	1.8364

176	121	1.87031
177	121	1.90119
178	121	1.9276
179	121	1.95037
180	121	1.96712
-180	122	1.78943
-179	122	1.81305
-178	122	1.83404
-177	122	1.87196
-176	122	1.89133
-175	122	1.90824
-174	122	1.92042
-173	122	1.96199
-172	122	1.97439
-171	122	2.03255
-170	122	2.0426
-169	122	2.08299
-168	122	2.11663
-167	122	2.15069
-166	122	2.17327
-165	122	2.19186
-164	122	2.20151
-163	122	2.19468
-162	122	2.16446
-161	122	2.11122
-160	122	2.07102
-159	122	2.02431
-158	122	1.93251
-157	122	1.85485
-156	122	1.72519
-155	122	1.60319
-154	122	1.46495
-153	122	1.31626
-152	122	1.16901
-151	122	1.03632
-150	122	0.919935
-149	122	0.831526
-148	122	0.771597
-147	122	0.761668
-146	122	0.787403
-145	122	0.851328
-144	122	0.946357
-143	122	1.04794
-142	122	1.14656
-141	122	1.23089
-140	122	1.27434
-139	122	1.27668
-138	122	1.20323
-137	122	1.06211
-136	122	0.840294
-135	122	0.533985
-134	122	0.142607
-133	122	-0.326649
-132	122	-0.8762
-131	122	-1.48261
-130	122	-2.09565
-129	122	-2.62833
-128	122	-2.99092
-127	122	-3.10355
-126	122	-2.95845
-125	122	-2.61591
-124	122	-2.16223
-123	122	-1.71653
-122	122	-1.33637
-121	122	-1.06012
-120	122	-0.910102
-119	122	-0.938962
-118	122	-1.16045
-117	122	-1.56139
-116	122	-2.19098
-115	122	-3.05154
-114	122	-4.12079
-113	122	-5.33844
-112	122	-6.50182
-111	122	-7.24889
-110	122	-7.23448
-109	122	-6.52882
-108	122	-5.55056
-107	122	-4.52657
-106	122	-3.68863
-105	122	-3.08038
-104	122	-2.77321
-103	122	-2.75631
-102	122	-3.11043
-101	122	-3.84309
-100	122	-4.97039
-99	122	-6.55399
-98	122	-8.74683
-97	122	-11.9233
-96	122	-15.1318
-95	122	-14.0035
-94	122	-10.3855
-93	122	-7.65001
-92	122	-5.74076
-91	122	-4.46752
-90	122	-3.68691
-89	122	-3.316

-88	122	-3.36544
-87	122	-3.71324
-86	122	-4.36634
-85	122	-5.56273
-84	122	-7.41381
-83	122	-10.3002
-82	122	-15.3167
-81	122	-20.002
-80	122	-14.5917
-79	122	-10.0198
-78	122	-7.15099
-77	122	-5.27182
-76	122	-4.00874
-75	122	-3.21358
-74	122	-2.80136
-73	122	-2.71374
-72	122	-2.92504
-71	122	-3.4324
-70	122	-4.29456
-69	122	-5.4581
-68	122	-6.84701
-67	122	-8.19948
-66	122	-8.9098
-65	122	-8.46517
-64	122	-7.13203
-63	122	-5.4707
-62	122	-4.26014
-61	122	-3.12445
-60	122	-2.27064
-59	122	-1.66884
-58	122	-1.2951
-57	122	-1.12758
-56	122	-1.15155
-55	122	-1.35342
-54	122	-1.72165
-53	122	-2.21222
-52	122	-2.79436
-51	122	-3.39415
-50	122	-3.89825
-49	122	-4.13801
-48	122	-4.04063
-47	122	-3.66161
-46	122	-3.03428
-45	122	-2.36544
-44	122	-1.55477
-43	122	-0.852114
-42	122	-0.227774
-41	122	0.286281
-40	122	0.718045
-39	122	1.05124
-38	122	1.48747
-37	122	1.46974
-36	122	1.57052
-35	122	1.60881
-34	122	1.58822
-33	122	1.52081
-32	122	1.42304
-31	122	1.3047
-30	122	1.17142
-29	122	1.03961
-28	122	0.907176
-27	122	0.790012
-26	122	0.690056
-25	122	0.613694
-24	122	0.562139
-23	122	0.546176
-22	122	0.552924
-21	122	0.580425
-20	122	0.623851
-19	122	0.668902
-18	122	0.736571
-17	122	0.805398
-16	122	0.881302
-15	122	0.967013
-14	122	1.03251
-13	122	1.10708
-12	122	1.17857
-11	122	1.24658
-10	122	1.29982
-9	122	1.37295
-8	122	1.42134
-7	122	1.47088
-6	122	1.50975
-5	122	1.54766
-4	122	1.57906
-3	122	1.61008
-2	122	1.63604
-1	122	1.66055
0	122	1.68147
1	122	1.69389
2	122	1.71212
3	122	1.74085
4	122	1.76615
5	122	1.79698
6	122	1.82304
7	122	1.86577
8	122	1.88083

9	122	1.92777
10	122	1.9705
11	122	1.98169
12	122	1.9896
13	122	2.03364
14	122	2.07875
15	122	2.1037
16	122	2.11114
17	122	2.13713
18	122	2.1574
19	122	2.13997
20	122	2.11394
21	122	2.0658
22	122	2.00174
23	122	1.92209
24	122	1.81998
25	122	1.69838
26	122	1.55432
27	122	1.41415
28	122	1.24354
29	122	1.08373
30	122	0.94188
31	122	0.818552
32	122	0.717627
33	122	0.668001
34	122	0.656317
35	122	0.690473
36	122	0.754954
37	122	0.828973
38	122	0.910577
39	122	0.982315
40	122	1.03008
41	122	1.03537
42	122	0.982263
43	122	0.859162
44	122	0.662794
45	122	0.385237
46	122	0.0190303
47	122	-0.426342
48	122	-0.94651
49	122	-1.53053
50	122	-2.11087
51	122	-2.63973
52	122	-3.05754
53	122	-3.29183
54	122	-3.27938
55	122	-3.04697
56	122	-2.68353
57	122	-2.27711
58	122	-1.90106
59	122	-1.62597
60	122	-1.47658
61	122	-1.47895
62	122	-1.65454
63	122	-2.01669
64	122	-2.51576
65	122	-3.30132
66	122	-4.30197
67	122	-5.47144
68	122	-6.72266
69	122	-7.5729
70	122	-7.75969
71	122	-7.09273
72	122	-6.05482
73	122	-5.00983
74	122	-4.13123
75	122	-3.53312
76	122	-3.22012
77	122	-3.22727
78	122	-3.55813
79	122	-4.22244
80	122	-5.23668
81	122	-6.68032
82	122	-8.7397
83	122	-11.7343
84	122	-14.942
85	122	-14.6386
86	122	-11.4035
87	122	-8.63481
88	122	-6.59842
89	122	-5.22916
90	122	-4.34744
91	122	-3.88844
92	122	-3.81732
93	122	-4.01762
94	122	-4.68647
95	122	-5.91453
96	122	-7.62344
97	122	-10.341
98	122	-15.5687
99	122	-21.6608
100	122	-15.7263
101	122	-10.7524
102	122	-7.70205
103	122	-5.88044
104	122	-4.56752
105	122	-3.73394

106	122	-3.27795
107	122	-3.17084
108	122	-3.35369
109	122	-3.82271
110	122	-4.60951
111	122	-5.68253
112	122	-7.03067
113	122	-8.40404
114	122	-9.31756
115	122	-9.09417
116	122	-7.85888
117	122	-6.38933
118	122	-4.93889
119	122	-3.7338
120	122	-2.81821
121	122	-2.17052
122	122	-1.72962
123	122	-1.51072
124	122	-1.48704
125	122	-1.6293
126	122	-1.93414
127	122	-2.35311
128	122	-2.87314
129	122	-3.40139
130	122	-3.85028
131	122	-4.10333
132	122	-4.08339
133	122	-3.77459
134	122	-3.2342
135	122	-2.56443
136	122	-1.86302
137	122	-1.19528
138	122	-0.591817
139	122	-0.0683111
140	122	0.373532
141	122	0.709173
142	122	1.02143
143	122	1.17333
144	122	1.30049
145	122	1.35501
146	122	1.36832
147	122	1.3324
148	122	1.26986
149	122	1.18298
150	122	1.08174
151	122	0.983921
152	122	0.88258
153	122	0.795861
154	122	0.722036
155	122	0.663671
156	122	0.631466
157	122	0.618289
158	122	0.620387
159	122	0.646014
160	122	0.691659
161	122	0.74075
162	122	0.808048
163	122	0.878932
164	122	0.956647
165	122	1.04071
166	122	1.11363
167	122	1.19204
168	122	1.26614
169	122	1.33733
170	122	1.40773
171	122	1.47124
172	122	1.5153
173	122	1.55152
174	122	1.58357
175	122	1.62236
176	122	1.65859
177	122	1.69336
178	122	1.72798
179	122	1.76229
180	122	1.78943
-180	123	1.68195
-179	123	1.71753
-178	123	1.75383
-177	123	1.79568
-176	123	1.81697
-175	123	1.84132
-174	123	1.86162
-173	123	1.91431
-172	123	1.94715
-171	123	1.95755
-170	123	2.00118
-169	123	2.05302
-168	123	2.09574
-167	123	2.11927
-166	123	2.12254
-165	123	2.12674
-164	123	2.13371
-163	123	2.13943
-162	123	2.11887
-161	123	2.07616
-160	123	2.00968
-159	123	1.92913

-158	123	1.83067
-157	123	1.69665
-156	123	1.58932
-155	123	1.44139
-154	123	1.30218
-153	123	1.14926
-152	123	1.00264
-151	123	0.873248
-150	123	0.76893
-149	123	0.692297
-148	123	0.657798
-147	123	0.665122
-146	123	0.713722
-145	123	0.791842
-144	123	0.896715
-143	123	1.00658
-142	123	1.10243
-141	123	1.16838
-140	123	1.20613
-139	123	1.17864
-138	123	1.0943
-137	123	0.934475
-136	123	0.690818
-135	123	0.362236
-134	123	-0.0527593
-133	123	-0.55095
-132	123	-1.13057
-131	123	-1.74977
-130	123	-2.34961
-129	123	-2.8409
-128	123	-3.13152
-127	123	-3.1663
-126	123	-2.96619
-125	123	-2.58168
-124	123	-2.12763
-123	123	-1.67131
-122	123	-1.30752
-121	123	-1.06747
-120	123	-0.940443
-119	123	-0.99369
-118	123	-1.21527
-117	123	-1.66729
-116	123	-2.32354
-115	123	-3.20039
-114	123	-4.28092
-113	123	-5.5
-112	123	-6.64589
-111	123	-7.35563
-110	123	-7.3009
-109	123	-6.6463
-108	123	-5.58208
-107	123	-4.55277
-106	123	-3.72454
-105	123	-3.15739
-104	123	-2.75823
-103	123	-2.80333
-102	123	-3.18283
-101	123	-3.88606
-100	123	-4.99611
-99	123	-6.52348
-98	123	-8.68858
-97	123	-11.8399
-96	123	-15.2947
-95	123	-14.4633
-94	123	-10.7609
-93	123	-7.9462
-92	123	-5.97474
-91	123	-4.64874
-90	123	-3.84576
-89	123	-3.40243
-88	123	-3.4163
-87	123	-3.69284
-86	123	-4.30248
-85	123	-5.3959
-84	123	-7.17174
-83	123	-9.59185
-82	123	-14.217
-81	123	-19.5315
-80	123	-15.8097
-79	123	-10.8644
-78	123	-7.71467
-77	123	-5.74296
-76	123	-4.3453
-75	123	-3.4452
-74	123	-2.96228
-73	123	-2.80013
-72	123	-2.94151
-71	123	-3.3875
-70	123	-4.14506
-69	123	-5.2071
-68	123	-6.5341
-67	123	-7.95361
-66	123	-8.96684
-65	123	-8.89926
-64	123	-7.76073
-63	123	-6.22502
-62	123	-4.76594

-61	123	-3.56458
-60	123	-2.59827
-59	123	-1.88337
-58	123	-1.40224
-57	123	-1.1403
-56	123	-1.07954
-55	123	-1.14113
-54	123	-1.42588
-53	123	-1.84435
-52	123	-2.37054
-51	123	-2.95697
-50	123	-3.52671
-49	123	-3.96318
-48	123	-4.12015
-47	123	-3.97026
-46	123	-3.5405
-45	123	-2.89676
-44	123	-2.18076
-43	123	-1.47151
-42	123	-0.7849
-41	123	-0.210918
-40	123	0.288687
-39	123	0.701777
-38	123	1.02833
-37	123	1.27277
-36	123	1.43981
-35	123	1.54748
-34	123	1.59257
-33	123	1.58277
-32	123	1.54119
-31	123	1.46906
-30	123	1.37978
-29	123	1.27429
-28	123	1.15909
-27	123	1.04283
-26	123	0.932977
-25	123	0.83988
-24	123	0.77291
-23	123	0.705209
-22	123	0.67368
-21	123	0.666335
-20	123	0.677528
-19	123	0.689935
-18	123	0.720938
-17	123	0.751271
-16	123	0.799281
-15	123	0.857966
-14	123	0.90667
-13	123	0.966909
-12	123	1.02461
-11	123	1.08342
-10	123	1.1372
-9	123	1.19697
-8	123	1.24901
-7	123	1.29226
-6	123	1.33311
-5	123	1.37436
-4	123	1.41271
-3	123	1.45319
-2	123	1.48954
-1	123	1.52706
0	123	1.55949
1	123	1.58671
2	123	1.62081
3	123	1.658
4	123	1.6887
5	123	1.72443
6	123	1.74577
7	123	1.78957
8	123	1.84944
9	123	1.89937
10	123	1.94162
11	123	1.98347
12	123	2.02058
13	123	2.04948
14	123	2.06967
15	123	2.06159
16	123	2.11731
17	123	2.1361
18	123	2.11892
19	123	2.0777
20	123	2.02876
21	123	1.96159
22	123	1.87322
23	123	1.75065
24	123	1.64056
25	123	1.50079
26	123	1.34563
27	123	1.19234
28	123	1.03173
29	123	0.870283
30	123	0.731441
31	123	0.621947
32	123	0.545004
33	123	0.515062
34	123	0.526597
35	123	0.582932

36	123	0.667983
37	123	0.760547
38	123	0.848247
39	123	0.921067
40	123	0.963684
41	123	0.961197
42	123	0.901784
43	123	0.770231
44	123	0.562304
45	123	0.275174
46	123	-0.100264
47	123	-0.561055
48	123	-1.09677
49	123	-1.67446
50	123	-2.2465
51	123	-2.76935
52	123	-3.16877
53	123	-3.35931
54	123	-3.30236
55	123	-3.03615
56	123	-2.66758
57	123	-2.25229
58	123	-1.90322
59	123	-1.6488
60	123	-1.5229
61	123	-1.54818
62	123	-1.75153
63	123	-2.0749
64	123	-2.67241
65	123	-3.48108
66	123	-4.51178
67	123	-5.75968
68	123	-6.98707
69	123	-7.82353
70	123	-7.97052
71	123	-7.25566
72	123	-6.14712
73	123	-5.0706
74	123	-4.18402
75	123	-3.57939
76	123	-3.26586
77	123	-3.23952
78	123	-3.53041
79	123	-4.1812
80	123	-5.21441
81	123	-6.67919
82	123	-8.74
83	123	-11.6821
84	123	-14.9426
85	123	-15.1181
86	123	-11.9313
87	123	-9.01161
88	123	-6.80989
89	123	-5.48058
90	123	-4.54435
91	123	-4.02775
92	123	-3.88394
93	123	-4.09721
94	123	-4.62507
95	123	-5.67763
96	123	-7.30874
97	123	-9.76959
98	123	-14.4422
99	123	-20.8209
100	123	-17.0553
101	123	-11.5838
102	123	-8.28766
103	123	-6.30822
104	123	-4.87505
105	123	-3.95108
106	123	-3.41155
107	123	-3.23261
108	123	-3.33842
109	123	-3.73258
110	123	-4.42611
111	123	-5.40639
112	123	-6.69085
113	123	-8.11599
114	123	-9.30396
115	123	-9.55473
116	123	-8.58827
117	123	-7.05018
118	123	-5.60003
119	123	-4.28979
120	123	-3.24849
121	123	-2.45689
122	123	-1.9384
123	123	-1.6103
124	123	-1.4791
125	123	-1.51925
126	123	-1.71364
127	123	-2.05033
128	123	-2.50122
129	123	-3.00908
130	123	-3.5057
131	123	-3.88896
132	123	-4.06385

133	123	-3.96691
134	123	-3.60086
135	123	-3.0404
136	123	-2.38177
137	123	-1.70758
138	123	-1.07435
139	123	-0.505305
140	123	-0.00728137
141	123	0.39462
142	123	0.724011
143	123	1.00609
144	123	1.17683
145	123	1.28595
146	123	1.35631
147	123	1.38234
148	123	1.37099
149	123	1.32688
150	123	1.26263
151	123	1.18134
152	123	1.09503
153	123	1.01012
154	123	0.92958
155	123	0.858879
156	123	0.797226
157	123	0.757339
158	123	0.730648
159	123	0.725474
160	123	0.734766
161	123	0.755825
162	123	0.790763
163	123	0.835134
164	123	0.886137
165	123	0.949432
166	123	1.00693
167	123	1.07111
168	123	1.13143
169	123	1.19141
170	123	1.25168
171	123	1.3154
172	123	1.36528
173	123	1.40338
174	123	1.43624
175	123	1.47469
176	123	1.51712
177	123	1.55859
178	123	1.60044
179	123	1.64435
180	123	1.68195
-180	124	1.63709
-179	124	1.68702
-178	124	1.7357
-177	124	1.78271
-176	124	1.81731
-175	124	1.84783
-174	124	1.91149
-173	124	1.92702
-172	124	1.96284
-171	124	1.98348
-170	124	2.01588
-169	124	2.06096
-168	124	2.10166
-167	124	2.13264
-166	124	2.1483
-165	124	2.14371
-164	124	2.11795
-163	124	2.09614
-162	124	2.05729
-161	124	2.00288
-160	124	1.92441
-159	124	1.82942
-158	124	1.72058
-157	124	1.58379
-156	124	1.42317
-155	124	1.28634
-154	124	1.1218
-153	124	0.966429
-152	124	0.818421
-151	124	0.6955
-150	124	0.604417
-149	124	0.557002
-148	124	0.546558
-147	124	0.583758
-146	124	0.651796
-145	124	0.744621
-144	124	0.852825
-143	124	0.962337
-142	124	1.05723
-141	124	1.10992
-140	124	1.12813
-139	124	1.08445
-138	124	0.982167
-137	124	0.800944
-136	124	0.531315
-135	124	0.168337
-134	124	-0.277416
-133	124	-0.801876
-132	124	-1.39356

-131	124	-2.01712
-130	124	-2.59071
-129	124	-3.03249
-128	124	-3.26115
-127	124	-3.22302
-126	124	-2.96292
-125	124	-2.5537
-124	124	-2.07747
-123	124	-1.62809
-122	124	-1.27864
-121	124	-1.0641
-120	124	-0.987064
-119	124	-1.03953
-118	124	-1.31044
-117	124	-1.78233
-116	124	-2.49762
-115	124	-3.37105
-114	124	-4.47181
-113	124	-5.69839
-112	124	-6.83683
-111	124	-7.51361
-110	124	-7.52367
-109	124	-6.71106
-108	124	-5.61435
-107	124	-4.58082
-106	124	-3.77103
-105	124	-3.18234
-104	124	-2.79835
-103	124	-2.81623
-102	124	-3.26357
-101	124	-3.89782
-100	124	-4.92236
-99	124	-6.52973
-98	124	-8.66622
-97	124	-11.7608
-96	124	-15.4824
-95	124	-14.9633
-94	124	-11.1242
-93	124	-8.21481
-92	124	-6.17398
-91	124	-4.7958
-90	124	-3.90819
-89	124	-3.45928
-88	124	-3.43204
-87	124	-3.66961
-86	124	-4.20917
-85	124	-5.28411
-84	124	-6.73614
-83	124	-9.06243
-82	124	-13.1694
-81	124	-18.8
-80	124	-17.3294
-79	124	-11.9827
-78	124	-8.50063
-77	124	-6.22735
-76	124	-4.76173
-75	124	-3.776
-74	124	-3.15678
-73	124	-2.93605
-72	124	-3.00469
-71	124	-3.34597
-70	124	-3.99491
-69	124	-4.9797
-68	124	-6.22704
-67	124	-7.63021
-66	124	-8.81564
-65	124	-9.12121
-64	124	-8.276
-63	124	-6.79243
-62	124	-5.31042
-61	124	-3.9845
-60	124	-2.9363
-59	124	-2.13567
-58	124	-1.56661
-57	124	-1.20465
-56	124	-1.03925
-55	124	-1.05075
-54	124	-1.2254
-53	124	-1.55115
-52	124	-2.00267
-51	124	-2.54144
-50	124	-3.11685
-49	124	-3.65283
-48	124	-4.02662
-47	124	-4.09739
-46	124	-3.89279
-45	124	-3.42081
-44	124	-2.78376
-43	124	-2.07712
-42	124	-1.38383
-41	124	-0.507416
-40	124	-0.160503
-39	124	0.294667
-38	124	0.695866
-37	124	1.01727
-36	124	1.25472
-35	124	1.42627

-34	124	1.53794
-33	124	1.59199
-32	124	1.60136
-31	124	1.58193
-30	124	1.53958
-29	124	1.47325
-28	124	1.38839
-27	124	1.28571
-26	124	1.18151
-25	124	1.08262
-24	124	1.02139
-23	124	0.926791
-22	124	0.870276
-21	124	0.8334
-20	124	0.815364
-19	124	0.811102
-18	124	0.818749
-17	124	0.83012
-16	124	0.847997
-15	124	0.892829
-14	124	0.915749
-13	124	0.947217
-12	124	0.980914
-11	124	1.02152
-10	124	1.06345
-9	124	1.10918
-8	124	1.16224
-7	124	1.20806
-6	124	1.2562
-5	124	1.30029
-4	124	1.34934
-3	124	1.39678
-2	124	1.44182
-1	124	1.49148
0	124	1.53514
1	124	1.5738
2	124	1.61075
3	124	1.64799
4	124	1.68499
5	124	1.70902
6	124	1.75604
7	124	1.81276
8	124	1.86959
9	124	1.92588
10	124	1.97068
11	124	2.02333
12	124	2.06632
13	124	2.09706
14	124	2.07627
15	124	2.08179
16	124	2.04476
17	124	2.06073
18	124	2.0506
19	124	2.01321
20	124	1.94564
21	124	1.85256
22	124	1.75076
23	124	1.62601
24	124	1.48074
25	124	1.32205
26	124	1.15204
27	124	0.97321
28	124	0.807713
29	124	0.640656
30	124	0.50364
31	124	0.401693
32	124	0.338251
33	124	0.33363
34	124	0.374983
35	124	0.45681
36	124	0.562361
37	124	0.675335
38	124	0.777274
39	124	0.851404
40	124	0.879926
41	124	0.866696
42	124	0.791857
43	124	0.642353
44	124	0.412791
45	124	0.0988295
46	124	-0.292361
47	124	-0.754435
48	124	-1.27656
49	124	-1.85256
50	124	-2.44763
51	124	-2.97336
52	124	-3.32295
53	124	-3.41783
54	124	-3.29998
55	124	-2.99729
56	124	-2.60773
57	124	-2.21442
58	124	-1.87176
59	124	-1.635
60	124	-1.53461
61	124	-1.59366
62	124	-1.75672

63	124	-2.18023
64	124	-2.80704
65	124	-3.6469
66	124	-4.70179
67	124	-5.97999
68	124	-7.197
69	124	-8.11106
70	124	-8.13363
71	124	-7.35467
72	124	-6.22756
73	124	-5.1277
74	124	-4.23444
75	124	-3.63854
76	124	-3.3106
77	124	-3.27193
78	124	-3.63448
79	124	-4.17576
80	124	-5.09968
81	124	-6.54932
82	124	-8.52397
83	124	-11.3715
84	124	-14.7644
85	124	-15.5155
86	124	-12.4444
87	124	-9.42381
88	124	-7.26082
89	124	-5.71383
90	124	-4.72021
91	124	-4.14451
92	124	-3.91781
93	124	-4.06894
94	124	-4.5174
95	124	-5.47053
96	124	-6.96655
97	124	-9.21682
98	124	-13.3379
99	124	-19.2625
100	124	-18.5007
101	124	-12.7198
102	124	-9.08054
103	124	-6.8844
104	124	-5.31617
105	124	-4.30139
106	124	-3.63509
107	124	-3.36768
108	124	-3.37373
109	124	-3.67232
110	124	-4.26698
111	124	-5.15764
112	124	-6.32866
113	124	-7.71847
114	124	-9.01309
115	124	-9.69817
116	124	-9.16911
117	124	-7.74816
118	124	-6.16157
119	124	-4.81498
120	124	-3.6534
121	124	-2.7636
122	124	-2.11819
123	124	-1.68951
124	124	-1.45603
125	124	-1.40709
126	124	-1.50572
127	124	-1.75411
128	124	-2.11319
129	124	-2.56495
130	124	-3.05628
131	124	-3.51596
132	124	-3.84747
133	124	-3.98259
134	124	-3.85623
135	124	-3.52974
136	124	-2.94519
137	124	-2.32317
138	124	-1.6859
139	124	-1.08066
140	124	-0.528652
141	124	-0.0487871
142	124	0.353158
143	124	0.691196
144	124	0.932128
145	124	1.17601
146	124	1.27847
147	124	1.35656
148	124	1.40368
149	124	1.40555
150	124	1.38437
151	124	1.33385
152	124	1.27372
153	124	1.20205
154	124	1.12953
155	124	1.0645
156	124	1.00391
157	124	0.951115
158	124	0.911455
159	124	0.890601

160	124	0.879474
161	124	0.880261
162	124	0.891005
163	124	0.911359
164	124	0.937422
165	124	0.98183
166	124	1.01316
167	124	1.05865
168	124	1.10382
169	124	1.14764
170	124	1.18841
171	124	1.23949
172	124	1.2938
173	124	1.33775
174	124	1.37481
175	124	1.41185
176	124	1.45471
177	124	1.49883
178	124	1.54364
179	124	1.59299
180	124	1.63709
-180	125	1.66859
-179	125	1.73386
-178	125	1.7867
-177	125	1.83673
-176	125	1.90424
-175	125	1.91138
-174	125	1.94308
-173	125	1.99706
-172	125	2.02934
-171	125	2.06684
-170	125	2.10082
-169	125	2.12166
-168	125	2.14244
-167	125	2.15556
-166	125	2.15413
-165	125	2.13538
-164	125	2.08899
-163	125	2.03658
-162	125	1.97821
-161	125	1.8967
-160	125	1.80023
-159	125	1.67936
-158	125	1.54733
-157	125	1.4061
-156	125	1.2464
-155	125	1.05445
-154	125	0.926167
-153	125	0.773179
-152	125	0.646729
-151	125	0.538215
-150	125	0.47004
-149	125	0.442671
-148	125	0.459364
-147	125	0.514083
-146	125	0.600562
-145	125	0.702862
-144	125	0.802538
-143	125	0.89733
-142	125	0.980083
-141	125	1.03038
-140	125	1.0482
-139	125	0.985972
-138	125	0.862361
-137	125	0.652298
-136	125	0.345799
-135	125	-0.0574193
-134	125	-0.532551
-133	125	-1.08013
-132	125	-1.67368
-131	125	-2.2683
-130	125	-2.79496
-129	125	-3.16931
-128	125	-3.31667
-127	125	-3.21577
-126	125	-2.91089
-125	125	-2.4766
-124	125	-2.01974
-123	125	-1.58447
-122	125	-1.24092
-121	125	-1.04231
-120	125	-0.983916
-119	125	-1.08954
-118	125	-1.38867
-117	125	-1.89607
-116	125	-2.6158
-115	125	-3.55066
-114	125	-4.6868
-113	125	-5.9299
-112	125	-7.06058
-111	125	-7.7409
-110	125	-7.61754
-109	125	-6.71599
-108	125	-5.58578
-107	125	-4.5663
-106	125	-3.72446
-105	125	-3.15624

-104	125	-2.80868
-103	125	-2.81206
-102	125	-3.23638
-101	125	-3.9364
-100	125	-4.94847
-99	125	-6.41243
-98	125	-8.65808
-97	125	-11.8905
-96	125	-15.8041
-95	125	-15.5588
-94	125	-11.7263
-93	125	-8.49459
-92	125	-6.40179
-91	125	-4.95839
-90	125	-4.02356
-89	125	-3.67086
-88	125	-3.47835
-87	125	-3.64499
-86	125	-4.19934
-85	125	-5.04007
-84	125	-6.46212
-83	125	-8.54742
-82	125	-11.7184
-81	125	-17.5174
-80	125	-18.5461
-79	125	-13.042
-78	125	-9.28241
-77	125	-6.81947
-76	125	-5.1817
-75	125	-4.08978
-74	125	-3.39847
-73	125	-3.03103
-72	125	-3.03992
-71	125	-3.31911
-70	125	-3.85874
-69	125	-4.69139
-68	125	-5.82799
-67	125	-7.17558
-66	125	-8.44729
-65	125	-9.10517
-64	125	-8.67473
-63	125	-7.40216
-62	125	-5.89407
-61	125	-4.51553
-60	125	-3.37346
-59	125	-2.48691
-58	125	-1.81118
-57	125	-1.34756
-56	125	-1.07768
-55	125	-0.985717
-54	125	-1.05593
-53	125	-1.27862
-52	125	-1.63978
-51	125	-2.11625
-50	125	-2.65638
-49	125	-3.21766
-48	125	-3.70804
-47	125	-4.02803
-46	125	-4.07792
-45	125	-3.8303
-44	125	-3.35108
-43	125	-2.75872
-42	125	-2.04671
-41	125	-1.3781
-40	125	-0.777859
-39	125	-0.234722
-38	125	0.290757
-37	125	0.62999
-36	125	0.949575
-35	125	1.19186
-34	125	1.38434
-33	125	1.48001
-32	125	1.56229
-31	125	1.60583
-30	125	1.61568
-29	125	1.59886
-28	125	1.5522
-27	125	1.4887
-26	125	1.40362
-25	125	1.31553
-24	125	1.23181
-23	125	1.16662
-22	125	1.10286
-21	125	1.0536
-20	125	1.01836
-19	125	0.990213
-18	125	0.975387
-17	125	0.964718
-16	125	0.975723
-15	125	1.00917
-14	125	1.03312
-13	125	1.05523
-12	125	1.07801
-11	125	1.10305
-10	125	1.13524
-9	125	1.17372
-8	125	1.2142

-7	125	1.2572
-6	125	1.29451
-5	125	1.33515
-4	125	1.38012
-3	125	1.41323
-2	125	1.45919
-1	125	1.5047
0	125	1.55382
1	125	1.61758
2	125	1.61353
3	125	1.65396
4	125	1.70198
5	125	1.76645
6	125	1.83748
7	125	1.90757
8	125	1.95619
9	125	2.00722
10	125	2.05451
11	125	2.07846
12	125	2.10044
13	125	2.1074
14	125	2.11148
15	125	2.09044
16	125	2.06387
17	125	2.03026
18	125	1.95937
19	125	1.88717
20	125	1.80987
21	125	1.71719
22	125	1.58819
23	125	1.44413
24	125	1.28433
25	125	1.10926
26	125	0.934583
27	125	0.758142
28	125	0.588055
29	125	0.447037
30	125	0.329674
31	125	0.253717
32	125	0.225017
33	125	0.241539
34	125	0.302494
35	125	0.392442
36	125	0.494764
37	125	0.593199
38	125	0.678249
39	125	0.733953
40	125	0.746207
41	125	0.707502
42	125	0.610211
43	125	0.443502
44	125	0.198474
45	125	-0.123545
46	125	-0.514769
47	125	-0.99556
48	125	-1.56657
49	125	-2.17166
50	125	-2.74172
51	125	-3.17596
52	125	-3.43458
53	125	-3.46806
54	125	-3.28054
55	125	-2.94037
56	125	-2.53744
57	125	-2.15744
58	125	-1.82822
59	125	-1.61623
60	125	-1.54706
61	125	-1.56435
62	125	-1.82123
63	125	-2.27233
64	125	-2.90733
65	125	-3.79771
66	125	-4.91807
67	125	-6.17823
68	125	-7.46504
69	125	-8.25017
70	125	-8.20123
71	125	-7.3694
72	125	-6.21997
73	125	-5.12472
74	125	-4.26331
75	125	-3.66096
76	125	-3.3355
77	125	-3.31043
78	125	-3.59966
79	125	-4.19174
80	125	-5.09977
81	125	-6.41232
82	125	-8.43054
83	125	-11.1993
84	125	-14.6088
85	125	-15.9
86	125	-13.0252
87	125	-9.85216
88	125	-7.55848
89	125	-5.88818

90	125	-4.87931
91	125	-4.28296
92	125	-4.07009
93	125	-4.0996
94	125	-4.44687
95	125	-5.28196
96	125	-6.61881
97	125	-8.61693
98	125	-11.6646
99	125	-17.641
100	125	-19.87
101	125	-13.9288
102	125	-9.91585
103	125	-7.31869
104	125	-5.797
105	125	-4.62774
106	125	-3.88944
107	125	-3.53388
108	125	-3.44966
109	125	-3.65727
110	125	-4.15212
111	125	-4.93638
112	125	-5.99693
113	125	-7.31384
114	125	-8.66986
115	125	-9.59061
116	125	-9.50554
117	125	-8.37362
118	125	-6.78748
119	125	-5.2854
120	125	-4.08275
121	125	-3.0709
122	125	-2.30905
123	125	-1.7624
124	125	-1.43949
125	125	-1.28422
126	125	-1.25427
127	125	-1.46022
128	125	-1.73116
129	125	-2.16466
130	125	-2.63852
131	125	-3.13705
132	125	-3.57689
133	125	-3.88436
134	125	-3.97883
135	125	-3.83129
136	125	-3.45298
137	125	-2.92045
138	125	-2.32078
139	125	-1.70617
140	125	-1.11556
141	125	-0.585463
142	125	-0.120186
143	125	0.284727
144	125	0.606455
145	125	0.882052
146	125	1.07486
147	125	1.27343
148	125	1.34549
149	125	1.3964
150	125	1.43013
151	125	1.42542
152	125	1.40226
153	125	1.37019
154	125	1.31824
155	125	1.26897
156	125	1.2211
157	125	1.16968
158	125	1.1327
159	125	1.10263
160	125	1.07985
161	125	1.06118
162	125	1.05821
163	125	1.06657
164	125	1.08163
165	125	1.10529
166	125	1.12633
167	125	1.14827
168	125	1.17723
169	125	1.2111
170	125	1.24357
171	125	1.28354
172	125	1.32462
173	125	1.36814
174	125	1.405
175	125	1.43712
176	125	1.47469
177	125	1.5133
178	125	1.56788
179	125	1.61813
180	125	1.66859
-180	126	1.74601
-179	126	1.8333
-178	126	1.88527
-177	126	1.89597
-176	126	1.96018
-175	126	2.00179

-174	126	2.04582
-173	126	2.07834
-172	126	2.10893
-171	126	2.13563
-170	126	2.16018
-169	126	2.16951
-168	126	2.17161
-167	126	2.16394
-166	126	2.14657
-165	126	2.11191
-164	126	2.04899
-163	126	1.97569
-162	126	1.89105
-161	126	1.78847
-160	126	1.66295
-159	126	1.52383
-158	126	1.37214
-157	126	1.21954
-156	126	1.04818
-155	126	0.877886
-154	126	0.691146
-153	126	0.58195
-152	126	0.458604
-151	126	0.378991
-150	126	0.333565
-149	126	0.332346
-148	126	0.370261
-147	126	0.439218
-146	126	0.540305
-145	126	0.653718
-144	126	0.769231
-143	126	0.873007
-142	126	0.942523
-141	126	0.968281
-140	126	0.945496
-139	126	0.854662
-138	126	0.691424
-137	126	0.437347
-136	126	0.0853981
-135	126	-0.352689
-134	126	-0.84645
-133	126	-1.38602
-132	126	-1.95808
-131	126	-2.52843
-130	126	-3.01012
-129	126	-3.31374
-128	126	-3.37724
-127	126	-3.19657
-126	126	-2.82468
-125	126	-2.35504
-124	126	-1.88325
-123	126	-1.47985
-122	126	-1.17725
-121	126	-0.995137
-120	126	-0.998899
-119	126	-1.14651
-118	126	-1.4649
-117	126	-1.99126
-116	126	-2.72713
-115	126	-3.68917
-114	126	-4.84087
-113	126	-6.089
-112	126	-7.24545
-111	126	-7.90601
-110	126	-7.61842
-109	126	-6.70731
-108	126	-5.607
-107	126	-4.55271
-106	126	-3.7179
-105	126	-3.10705
-104	126	-2.81812
-103	126	-2.88173
-102	126	-3.21125
-101	126	-3.92711
-100	126	-4.8968
-99	126	-6.36285
-98	126	-8.54517
-97	126	-11.7663
-96	126	-15.7834
-95	126	-16.048
-94	126	-12.2078
-93	126	-8.82883
-92	126	-6.66827
-91	126	-5.17576
-90	126	-4.21527
-89	126	-3.80586
-88	126	-3.57372
-87	126	-3.74492
-86	126	-4.10863
-85	126	-4.96531
-84	126	-6.26293
-83	126	-8.19041
-82	126	-11.0315
-81	126	-16.423
-80	126	-19.18
-79	126	-14.1021
-78	126	-10.0194

-77	126	-7.35932
-76	126	-5.61139
-75	126	-4.40811
-74	126	-3.64775
-73	126	-3.20813
-72	126	-3.07557
-71	126	-3.26082
-70	126	-3.73602
-69	126	-4.46113
-68	126	-5.48296
-67	126	-6.75687
-66	126	-8.06321
-65	126	-8.98138
-64	126	-8.95394
-63	126	-7.94799
-62	126	-6.50176
-61	126	-5.06921
-60	126	-3.82864
-59	126	-2.82323
-58	126	-2.06596
-57	126	-1.50038
-56	126	-1.12578
-55	126	-0.940784
-54	126	-0.923253
-53	126	-1.05613
-52	126	-1.32398
-51	126	-1.71782
-50	126	-2.21011
-49	126	-2.76333
-48	126	-3.30173
-47	126	-3.76255
-46	126	-4.04923
-45	126	-4.08044
-44	126	-3.82623
-43	126	-3.34824
-42	126	-2.75906
-41	126	-2.10063
-40	126	-1.45371
-39	126	-0.857667
-38	126	-0.327091
-37	126	0.132567
-36	126	0.506008
-35	126	0.850439
-34	126	1.09846
-33	126	1.29815
-32	126	1.43975
-31	126	1.53832
-30	126	1.60631
-29	126	1.64336
-28	126	1.64971
-27	126	1.63013
-26	126	1.58681
-25	126	1.52966
-24	126	1.46938
-23	126	1.41058
-22	126	1.35089
-21	126	1.30139
-20	126	1.25672
-19	126	1.2146
-18	126	1.18117
-17	126	1.16327
-16	126	1.16303
-15	126	1.17717
-14	126	1.1938
-13	126	1.21039
-12	126	1.23633
-11	126	1.26246
-10	126	1.28909
-9	126	1.30191
-8	126	1.34714
-7	126	1.36949
-6	126	1.38233
-5	126	1.41361
-4	126	1.44922
-3	126	1.48655
-2	126	1.53332
-1	126	1.57666
0	126	1.62053
1	126	1.65815
2	126	1.70698
3	126	1.76144
4	126	1.83408
5	126	1.8967
6	126	1.95018
7	126	1.99521
8	126	2.0332
9	126	2.06354
10	126	2.09175
11	126	2.10554
12	126	2.11718
13	126	2.11645
14	126	2.10021
15	126	2.07034
16	126	2.03499
17	126	1.99038
18	126	1.9155
19	126	1.81462

20	126	1.68568
21	126	1.5288
22	126	1.37699
23	126	1.21385
24	126	1.04737
25	126	0.873596
26	126	0.698055
27	126	0.52708
28	126	0.363932
29	126	0.244925
30	126	0.153997
31	126	0.0987745
32	126	0.107298
33	126	0.147134
34	126	0.233855
35	126	0.342627
36	126	0.456754
37	126	0.559261
38	126	0.644517
39	126	0.69618
40	126	0.698468
41	126	0.648969
42	126	0.531942
43	126	0.333721
44	126	0.0399455
45	126	-0.355239
46	126	-0.834152
47	126	-1.3764
48	126	-1.94997
49	126	-2.52718
50	126	-3.06368
51	126	-3.42921
52	126	-3.59362
53	126	-3.52753
54	126	-3.25495
55	126	-2.85676
56	126	-2.43047
57	126	-2.01891
58	126	-1.72909
59	126	-1.54708
60	126	-1.44364
61	126	-1.55435
62	126	-1.84473
63	126	-2.30357
64	126	-3.00725
65	126	-3.93232
66	126	-5.07779
67	126	-6.43932
68	126	-7.71604
69	126	-8.49982
70	126	-8.39759
71	126	-7.48553
72	126	-6.29926
73	126	-5.20189
74	126	-4.33951
75	126	-3.72814
76	126	-3.41397
77	126	-3.42728
78	126	-3.65064
79	126	-4.22057
80	126	-5.07936
81	126	-6.39832
82	126	-8.38578
83	126	-11.1261
84	126	-14.5691
85	126	-16.0558
86	126	-13.3592
87	126	-10.2151
88	126	-7.885
89	126	-6.19728
90	126	-5.04128
91	126	-4.44102
92	126	-4.09239
93	126	-4.05339
94	126	-4.34055
95	126	-5.09212
96	126	-6.32915
97	126	-8.19165
98	126	-10.9251
99	126	-16.2838
100	126	-20.3636
101	126	-15.3591
102	126	-10.938
103	126	-8.06329
104	126	-6.3579
105	126	-5.06648
106	126	-4.2097
107	126	-3.71309
108	126	-3.56251
109	126	-3.65867
110	126	-4.03738
111	126	-4.6998
112	126	-5.63589
113	126	-6.80756
114	126	-8.13862
115	126	-9.18653
116	126	-9.48597

117	126	-8.74485
118	126	-7.36409
119	126	-5.85212
120	126	-4.52157
121	126	-3.48039
122	126	-2.62781
123	126	-1.9969
124	126	-1.65833
125	126	-1.3124
126	126	-1.22582
127	126	-1.30017
128	126	-1.49257
129	126	-1.81911
130	126	-2.23694
131	126	-2.72725
132	126	-3.21684
133	126	-3.64953
134	126	-3.94461
135	126	-4.02407
136	126	-3.86314
137	126	-3.49282
138	126	-2.98246
139	126	-2.39282
140	126	-1.78833
141	126	-1.21649
142	126	-0.689567
143	126	-0.219826
144	126	0.175386
145	126	0.520414
146	126	0.788145
147	126	1.01987
148	126	1.17174
149	126	1.34084
150	126	1.41374
151	126	1.44439
152	126	1.4698
153	126	1.48328
154	126	1.45991
155	126	1.43593
156	126	1.41814
157	126	1.38758
158	126	1.35066
159	126	1.31819
160	126	1.29578
161	126	1.27972
162	126	1.27767
163	126	1.27421
164	126	1.27118
165	126	1.28353
166	126	1.28978
167	126	1.31105
168	126	1.33673
169	126	1.3595
170	126	1.38674
171	126	1.41038
172	126	1.43479
173	126	1.46944
174	126	1.50936
175	126	1.54446
176	126	1.57745
177	126	1.60825
178	126	1.66088
179	126	1.70449
180	126	1.74601
-180	127	1.88898
-179	127	1.92448
-178	127	1.97151
-177	127	2.00147
-176	127	2.05513
-175	127	2.09776
-174	127	2.12773
-173	127	2.15447
-172	127	2.18246
-171	127	2.18963
-170	127	2.20013
-169	127	2.19125
-168	127	2.17674
-167	127	2.14989
-166	127	2.11055
-165	127	2.05713
-164	127	1.97815
-163	127	1.88189
-162	127	1.77521
-161	127	1.64847
-160	127	1.5022
-159	127	1.34544
-158	127	1.17709
-157	127	1.01226
-156	127	0.831075
-155	127	0.668437
-154	127	0.516226
-153	127	0.358457
-152	127	0.291066
-151	127	0.232897
-150	127	0.212352
-149	127	0.243053
-148	127	0.304474

-147	127	0.40343
-146	127	0.513734
-145	127	0.631821
-144	127	0.747828
-143	127	0.82779
-142	127	0.87776
-141	127	0.88499
-140	127	0.831648
-139	127	0.706983
-138	127	0.508566
-137	127	0.225522
-136	127	-0.152183
-135	127	-0.612655
-134	127	-1.15055
-133	127	-1.73312
-132	127	-2.32582
-131	127	-2.88668
-130	127	-3.33812
-129	127	-3.56282
-128	127	-3.48812
-127	127	-3.1721
-126	127	-2.72181
-125	127	-2.23062
-124	127	-1.7678
-123	127	-1.37751
-122	127	-1.10087
-121	127	-0.956641
-120	127	-0.972306
-119	127	-1.16715
-118	127	-1.52751
-117	127	-2.08524
-116	127	-2.86524
-115	127	-3.8525
-114	127	-5.0335
-113	127	-6.33456
-112	127	-7.53631
-111	127	-8.05678
-110	127	-7.72059
-109	127	-6.74885
-108	127	-5.5817
-107	127	-4.52564
-106	127	-3.70478
-105	127	-3.09314
-104	127	-2.82226
-103	127	-2.89429
-102	127	-3.16881
-101	127	-3.81818
-100	127	-4.77494
-99	127	-6.27052
-98	127	-8.35968
-97	127	-11.5626
-96	127	-15.5073
-95	127	-16.2933
-94	127	-12.6066
-93	127	-9.17785
-92	127	-6.94685
-91	127	-5.4164
-90	127	-4.39586
-89	127	-4.01276
-88	127	-3.73949
-87	127	-3.73057
-86	127	-4.1236
-85	127	-4.86941
-84	127	-6.07533
-83	127	-7.83268
-82	127	-10.4577
-81	127	-14.3871
-80	127	-19.6636
-79	127	-15.2889
-78	127	-10.8823
-77	127	-8.02061
-76	127	-6.06408
-75	127	-4.76107
-74	127	-3.90801
-73	127	-3.37073
-72	127	-3.14455
-71	127	-3.22501
-70	127	-3.59364
-69	127	-4.25078
-68	127	-5.11816
-67	127	-6.27108
-66	127	-7.56913
-65	127	-8.66269
-64	127	-9.04416
-63	127	-8.3944
-62	127	-7.09323
-61	127	-5.64945
-60	127	-4.3378
-59	127	-3.24461
-58	127	-2.37692
-57	127	-1.73287
-56	127	-1.27056
-55	127	-0.985673
-54	127	-0.862786
-53	127	-0.906114
-52	127	-1.08932
-51	127	-1.40102

-50	127	-1.8276
-49	127	-2.33834
-48	127	-2.89308
-47	127	-3.43083
-46	127	-3.92082
-45	127	-4.1175
-44	127	-4.12996
-43	127	-3.87961
-42	127	-3.40978
-41	127	-2.82943
-40	127	-2.2012
-39	127	-1.5775
-38	127	-0.98445
-37	127	-0.464756
-36	127	-0.00220304
-35	127	0.392089
-34	127	0.7133
-33	127	0.977963
-32	127	1.21409
-31	127	1.38744
-30	127	1.51811
-29	127	1.61078
-28	127	1.67004
-27	127	1.69129
-26	127	1.69106
-25	127	1.67063
-24	127	1.63697
-23	127	1.59777
-22	127	1.5691
-21	127	1.54191
-20	127	1.50764
-19	127	1.47016
-18	127	1.43679
-17	127	1.41283
-16	127	1.41121
-15	127	1.40941
-14	127	1.40734
-13	127	1.40782
-12	127	1.41317
-11	127	1.4152
-10	127	1.41174
-9	127	1.44775
-8	127	1.46689
-7	127	1.49977
-6	127	1.49548
-5	127	1.55062
-4	127	1.58987
-3	127	1.62592
-2	127	1.66691
-1	127	1.70233
0	127	1.74729
1	127	1.80321
2	127	1.86943
3	127	1.91649
4	127	1.96167
5	127	1.99964
6	127	2.02645
7	127	2.05808
8	127	2.09181
9	127	2.11268
10	127	2.12918
11	127	2.13256
12	127	2.13128
13	127	2.11291
14	127	2.07228
15	127	2.02945
16	127	1.97365
17	127	1.88552
18	127	1.78892
19	127	1.67357
20	127	1.53635
21	127	1.38462
22	127	1.20477
23	127	1.01848
24	127	0.811293
25	127	0.612966
26	127	0.421966
27	127	0.258497
28	127	0.118572
29	127	0.0185206
30	127	-0.0415114
31	127	-0.0650941
32	127	-0.0313406
33	127	0.0538826
34	127	0.166009
35	127	0.2981
36	127	0.427481
37	127	0.542915
38	127	0.621582
39	127	0.657194
40	127	0.632717
41	127	0.537809
42	127	0.370197
43	127	0.120133
44	127	-0.20872
45	127	-0.614278
46	127	-1.10236

47	127	-1.65567
48	127	-2.23778
49	127	-2.79353
50	127	-3.27668
51	127	-3.56987
52	127	-3.65441
53	127	-3.51546
54	127	-3.19828
55	127	-2.78134
56	127	-2.34849
57	127	-1.96419
58	127	-1.68173
59	127	-1.48743
60	127	-1.44951
61	127	-1.59491
62	127	-1.89723
63	127	-2.42776
64	127	-3.14662
65	127	-4.10924
66	127	-5.31573
67	127	-6.67382
68	127	-7.95039
69	127	-8.72131
70	127	-8.5326
71	127	-7.58001
72	127	-6.35324
73	127	-5.25889
74	127	-4.38866
75	127	-3.78134
76	127	-3.4747
77	127	-3.48308
78	127	-3.73646
79	127	-4.21817
80	127	-5.07253
81	127	-6.42415
82	127	-8.34716
83	127	-11.0253
84	127	-14.4281
85	127	-16.2207
86	127	-13.6926
87	127	-10.5196
88	127	-8.11397
89	127	-6.40148
90	127	-5.25689
91	127	-4.54693
92	127	-4.14634
93	127	-4.04851
94	127	-4.3402
95	127	-4.93375
96	127	-6.0419
97	127	-7.67477
98	127	-10.114
99	127	-13.7477
100	127	-20.5012
101	127	-17.0929
102	127	-12.0091
103	127	-8.78693
104	127	-6.83957
105	127	-5.43398
106	127	-4.48614
107	127	-3.90675
108	127	-3.67819
109	127	-3.67949
110	127	-3.94473
111	127	-4.47567
112	127	-5.27355
113	127	-6.31626
114	127	-7.52443
115	127	-8.74285
116	127	-9.36554
117	127	-9.07582
118	127	-7.9654
119	127	-6.54339
120	127	-5.14741
121	127	-3.96286
122	127	-3.04665
123	127	-2.30476
124	127	-1.73968
125	127	-1.41471
126	127	-1.23939
127	127	-1.20226
128	127	-1.31899
129	127	-1.55357
130	127	-1.90124
131	127	-2.33127
132	127	-2.8147
133	127	-3.30082
134	127	-3.71823
135	127	-3.98801
136	127	-4.05559
137	127	-3.89804
138	127	-3.54242
139	127	-3.04939
140	127	-2.47547
141	127	-1.89455
142	127	-1.33558
143	127	-0.817058

144	127	-0.356047
145	127	0.057678
146	127	0.39057
147	127	0.688253
148	127	0.909592
149	127	1.11334
150	127	1.26044
151	127	1.37715
152	127	1.4977
153	127	1.52682
154	127	1.54625
155	127	1.55704
156	127	1.56656
157	127	1.56176
158	127	1.5409
159	127	1.52539
160	127	1.50874
161	127	1.49603
162	127	1.48864
163	127	1.4822
164	127	1.47876
165	127	1.48186
166	127	1.49104
167	127	1.50671
168	127	1.52266
169	127	1.53702
170	127	1.55596
171	127	1.57515
172	127	1.59755
173	127	1.62451
174	127	1.65631
175	127	1.67873
176	127	1.70419
177	127	1.73999
178	127	1.82506
179	127	1.88215
180	127	1.88898
-180	128	2.01095
-179	128	2.04225
-178	128	2.07487
-177	128	2.11061
-176	128	2.13996
-175	128	2.17302
-174	128	2.19217
-173	128	2.20667
-172	128	2.21107
-171	128	2.20616
-170	128	2.19433
-169	128	2.16886
-168	128	2.13249
-167	128	2.08433
-166	128	2.02454
-165	128	1.9442
-164	128	1.84571
-163	128	1.73057
-162	128	1.60059
-161	128	1.45746
-160	128	1.29604
-159	128	1.12304
-158	128	0.941454
-157	128	0.775866
-156	128	0.593757
-155	128	0.443582
-154	128	0.307255
-153	128	0.213934
-152	128	0.116036
-151	128	0.109002
-150	128	0.13871
-149	128	0.187677
-148	128	0.281381
-147	128	0.392411
-146	128	0.512512
-145	128	0.639203
-144	128	0.734365
-143	128	0.80532
-142	128	0.833889
-141	128	0.798662
-140	128	0.708275
-139	128	0.540922
-138	128	0.292678
-137	128	-0.0308667
-136	128	-0.447507
-135	128	-0.936449
-134	128	-1.49341
-133	128	-2.09061
-132	128	-2.6683
-131	128	-3.16519
-130	128	-3.50341
-129	128	-3.613
-128	128	-3.47096
-127	128	-3.12957
-126	128	-2.67781
-125	128	-2.21276
-124	128	-1.77322
-123	128	-1.37689
-122	128	-1.08244
-121	128	-0.942054

-120	128	-0.974453
-119	128	-1.21123
-118	128	-1.63055
-117	128	-2.24441
-116	128	-3.07012
-115	128	-4.10933
-114	128	-5.34146
-113	128	-6.71036
-112	128	-7.80447
-111	128	-8.24205
-110	128	-7.76756
-109	128	-6.71353
-108	128	-5.52002
-107	128	-4.47754
-106	128	-3.68765
-105	128	-3.06613
-104	128	-2.84811
-103	128	-2.92097
-102	128	-3.20998
-101	128	-3.80393
-100	128	-4.78419
-99	128	-6.26511
-98	128	-8.37389
-97	128	-11.4398
-96	128	-15.3478
-95	128	-16.4885
-94	128	-12.9276
-93	128	-9.62456
-92	128	-7.16144
-91	128	-5.58666
-90	128	-4.57384
-89	128	-4.16611
-88	128	-3.75104
-87	128	-3.77437
-86	128	-4.12078
-85	128	-4.81103
-84	128	-5.89946
-83	128	-7.52271
-82	128	-9.85658
-81	128	-13.27
-80	128	-18.7648
-79	128	-16.5697
-78	128	-11.8842
-77	128	-8.73692
-76	128	-6.60385
-75	128	-5.17192
-74	128	-4.18844
-73	128	-3.5848
-72	128	-3.25649
-71	128	-3.20522
-70	128	-3.4537
-69	128	-3.9615
-68	128	-4.75837
-67	128	-5.72564
-66	128	-6.94109
-65	128	-8.12384
-64	128	-8.81529
-63	128	-8.62351
-62	128	-7.61794
-61	128	-6.26799
-60	128	-4.93224
-59	128	-3.76343
-58	128	-2.80601
-57	128	-2.05252
-56	128	-1.50173
-55	128	-1.12186
-54	128	-0.905355
-53	128	-0.844674
-52	128	-0.93449
-51	128	-1.14363
-50	128	-1.47617
-49	128	-1.91326
-48	128	-2.43117
-47	128	-3.02734
-46	128	-3.5293
-45	128	-3.96855
-44	128	-4.22523
-43	128	-4.23651
-42	128	-3.99488
-41	128	-3.55116
-40	128	-2.96456
-39	128	-2.33914
-38	128	-1.72271
-37	128	-1.14261
-36	128	-0.61275
-35	128	-0.135293
-34	128	0.267535
-33	128	0.60312
-32	128	0.886488
-31	128	1.09425
-30	128	1.3193
-29	128	1.45494
-28	128	1.56233
-27	128	1.63926
-26	128	1.69434
-25	128	1.72251
-24	128	1.7371

-23	128	1.73765
-22	128	1.73279
-21	128	1.72454
-20	128	1.70393
-19	128	1.67545
-18	128	1.65614
-17	128	1.64282
-16	128	1.62538
-15	128	1.61981
-14	128	1.60538
-13	128	1.60657
-12	128	1.59798
-11	128	1.59797
-10	128	1.60623
-9	128	1.62007
-8	128	1.64477
-7	128	1.66573
-6	128	1.6988
-5	128	1.72125
-4	128	1.75347
-3	128	1.78054
-2	128	1.81865
-1	128	1.86031
0	128	1.90521
1	128	1.93973
2	128	1.971
3	128	1.99666
4	128	2.02436
5	128	2.05664
6	128	2.08595
7	128	2.11535
8	128	2.1362
9	128	2.13955
10	128	2.14178
11	128	2.1317
12	128	2.1048
13	128	2.05876
14	128	2.00607
15	128	1.92905
16	128	1.84648
17	128	1.73382
18	128	1.61077
19	128	1.47084
20	128	1.31037
21	128	1.13441
22	128	0.951819
23	128	0.746859
24	128	0.552635
25	128	0.374043
26	128	0.19776
27	128	0.0470627
28	128	-0.0682611
29	128	-0.143378
30	128	-0.173182
31	128	-0.157832
32	128	-0.104975
33	128	0.010357
34	128	0.139054
35	128	0.274588
36	128	0.396285
37	128	0.490891
38	128	0.544659
39	128	0.54395
40	128	0.492079
41	128	0.369966
42	128	0.183845
43	128	-0.103187
44	128	-0.470291
45	128	-0.918926
46	128	-1.44757
47	128	-2.03386
48	128	-2.62124
49	128	-3.14817
50	128	-3.55483
51	128	-3.74855
52	128	-3.71513
53	128	-3.47799
54	128	-3.09652
55	128	-2.65897
56	128	-2.22088
57	128	-1.86026
58	128	-1.56543
59	128	-1.40729
60	128	-1.41523
61	128	-1.58916
62	128	-1.91934
63	128	-2.46225
64	128	-3.24824
65	128	-4.26311
66	128	-5.50344
67	128	-6.86605
68	128	-8.09608
69	128	-8.76128
70	128	-8.47884
71	128	-7.50854
72	128	-6.34182
73	128	-5.29066

74	128	-4.43783
75	128	-3.85414
76	128	-3.54389
77	128	-3.529
78	128	-3.76941
79	128	-4.2486
80	128	-5.0731
81	128	-6.39907
82	128	-8.2716
83	128	-10.8507
84	128	-14.0973
85	128	-16.1156
86	128	-13.9235
87	128	-10.8007
88	128	-8.36199
89	128	-6.63891
90	128	-5.44625
91	128	-4.66659
92	128	-4.23256
93	128	-4.13076
94	128	-4.30577
95	128	-4.81947
96	128	-5.78188
97	128	-7.27057
98	128	-9.43869
99	128	-12.6963
100	128	-19.4484
101	128	-18.7916
102	128	-13.2074
103	128	-9.63474
104	128	-7.50328
105	128	-5.92319
106	128	-4.84308
107	128	-4.13233
108	128	-3.77513
109	128	-3.65798
110	128	-3.81295
111	128	-4.24001
112	128	-4.93061
113	128	-5.86834
114	128	-6.99884
115	128	-8.15629
116	128	-9.10178
117	128	-9.18676
118	128	-8.46352
119	128	-7.24487
120	128	-5.83136
121	128	-4.56451
122	128	-3.51613
123	128	-2.70763
124	128	-2.06173
125	128	-1.59546
126	128	-1.31771
127	128	-1.19043
128	128	-1.20663
129	128	-1.32664
130	128	-1.61329
131	128	-1.97915
132	128	-2.42174
133	128	-2.90048
134	128	-3.39035
135	128	-3.79903
136	128	-4.06066
137	128	-4.13124
138	128	-3.98716
139	128	-3.64956
140	128	-3.16382
141	128	-2.60687
142	128	-2.03109
143	128	-1.47235
144	128	-0.95384
145	128	-0.475383
146	128	-0.0797941
147	128	0.28054
148	128	0.580163
149	128	0.845955
150	128	1.05114
151	128	1.22288
152	128	1.35539
153	128	1.44728
154	128	1.52381
155	128	1.60993
156	128	1.67632
157	128	1.68884
158	128	1.68517
159	128	1.6902
160	128	1.67804
161	128	1.6754
162	128	1.67083
163	128	1.67229
164	128	1.66866
165	128	1.67963
166	128	1.68202
167	128	1.69018
168	128	1.69902
169	128	1.71258
170	128	1.73127

171	128	1.75134
172	128	1.77867
173	128	1.80849
174	128	1.85217
175	128	1.88953
176	128	1.88912
177	128	1.89594
178	128	1.9333
179	128	1.97599
180	128	2.01095
-180	129	2.09736
-179	129	2.12365
-178	129	2.14255
-177	129	2.13615
-176	129	2.19534
-175	129	2.20885
-174	129	2.21716
-173	129	2.20994
-172	129	2.19071
-171	129	2.16775
-170	129	2.13156
-169	129	2.08594
-168	129	2.02778
-167	129	1.95582
-166	129	1.87307
-165	129	1.77195
-164	129	1.64534
-163	129	1.51163
-162	129	1.36245
-161	129	1.20319
-160	129	1.03518
-159	129	0.854304
-158	129	0.673667
-157	129	0.503309
-156	129	0.343292
-155	129	0.201504
-154	129	0.104553
-153	129	0.0356923
-152	129	0.0188753
-151	129	0.0270356
-150	129	0.0871592
-149	129	0.182697
-148	129	0.303052
-147	129	0.42477
-146	129	0.555294
-145	129	0.658225
-144	129	0.7411
-143	129	0.785118
-142	129	0.778042
-141	129	0.717261
-140	129	0.577357
-139	129	0.363224
-138	129	0.0681359
-137	129	-0.296753
-136	129	-0.747643
-135	129	-1.2742
-134	129	-1.8599
-133	129	-2.46401
-132	129	-3.0274
-131	129	-3.47653
-130	129	-3.73665
-129	129	-3.74706
-128	129	-3.5008
-127	129	-3.07746
-126	129	-2.56534
-125	129	-2.05032
-124	129	-1.59556
-123	129	-1.24405
-122	129	-1.03554
-121	129	-0.974329
-120	129	-1.09441
-119	129	-1.38394
-118	129	-1.85702
-117	129	-2.46164
-116	129	-3.2838
-115	129	-4.35066
-114	129	-5.65013
-113	129	-6.97615
-112	129	-8.13161
-111	129	-8.35378
-110	129	-7.77588
-109	129	-6.6391
-108	129	-5.45731
-107	129	-4.43729
-106	129	-3.56298
-105	129	-3.07491
-104	129	-2.88273
-103	129	-2.91633
-102	129	-3.19349
-101	129	-3.73715
-100	129	-4.8211
-99	129	-6.27476
-98	129	-8.37238
-97	129	-11.3721
-96	129	-15.2792
-95	129	-16.7967
-94	129	-13.2867

-93	129	-9.92318
-92	129	-7.39262
-91	129	-5.8777
-90	129	-5.04288
-89	129	-4.25967
-88	129	-3.89593
-87	129	-3.75758
-86	129	-4.14158
-85	129	-4.71168
-84	129	-5.67136
-83	129	-7.12356
-82	129	-9.2266
-81	129	-12.3147
-80	129	-17.8378
-79	129	-18.0765
-78	129	-13.0391
-77	129	-9.54502
-76	129	-7.1977
-75	129	-5.57243
-74	129	-4.48265
-73	129	-3.75865
-72	129	-3.35485
-71	129	-3.20713
-70	129	-3.31738
-69	129	-3.72197
-68	129	-4.34265
-67	129	-5.24474
-66	129	-6.27622
-65	129	-7.4448
-64	129	-8.38019
-63	129	-8.63131
-62	129	-8.0387
-61	129	-6.89269
-60	129	-5.59605
-59	129	-4.37867
-58	129	-3.34266
-57	129	-2.49932
-56	129	-1.85387
-55	129	-1.37868
-54	129	-1.06766
-53	129	-0.903337
-52	129	-0.885812
-51	129	-1.00289
-50	129	-1.25047
-49	129	-1.58655
-48	129	-2.04328
-47	129	-2.56217
-46	129	-3.11115
-45	129	-3.63104
-44	129	-4.05087
-43	129	-4.28858
-42	129	-4.29192
-41	129	-4.06405
-40	129	-3.64875
-39	129	-3.08966
-38	129	-2.47075
-37	129	-1.85321
-36	129	-1.28744
-35	129	-0.759732
-34	129	-0.290888
-33	129	0.115395
-32	129	0.463944
-31	129	0.759535
-30	129	0.999482
-29	129	1.19586
-28	129	1.35087
-27	129	1.47329
-26	129	1.58629
-25	129	1.67082
-24	129	1.73527
-23	129	1.78115
-22	129	1.81423
-21	129	1.82574
-20	129	1.82284
-19	129	1.81191
-18	129	1.812
-17	129	1.79745
-16	129	1.78475
-15	129	1.7821
-14	129	1.77869
-13	129	1.77728
-12	129	1.78641
-11	129	1.78459
-10	129	1.79934
-9	129	1.80952
-8	129	1.82692
-7	129	1.84292
-6	129	1.85276
-5	129	1.87185
-4	129	1.89167
-3	129	1.91751
-2	129	1.94656
-1	129	1.9715
0	129	1.99532
1	129	2.02136
2	129	2.04464
3	129	2.06899

4	129	2.08646
5	129	2.10196
6	129	2.1131
7	129	2.11239
8	129	2.11621
9	129	2.10957
10	129	2.09586
11	129	2.06422
12	129	2.01202
13	129	1.94517
14	129	1.86893
15	129	1.76796
16	129	1.64969
17	129	1.51672
18	129	1.36783
19	129	1.20413
20	129	1.02782
21	129	0.840413
22	129	0.647063
23	129	0.453838
24	129	0.25828
25	129	0.0919939
26	129	-0.0675139
27	129	-0.18035
28	129	-0.26084
29	129	-0.292169
30	129	-0.276906
31	129	-0.210249
32	129	-0.128297
33	129	0.0128188
34	129	0.158836
35	129	0.296122
36	129	0.401059
37	129	0.466161
38	129	0.484493
39	129	0.445438
40	129	0.340448
41	129	0.164512
42	129	-0.0877108
43	129	-0.418002
44	129	-0.824282
45	129	-1.31119
46	129	-1.86703
47	129	-2.46202
48	129	-3.04104
49	129	-3.53679
50	129	-3.8647
51	129	-3.96537
52	129	-3.81077
53	129	-3.47278
54	129	-3.02441
55	129	-2.55383
56	129	-2.1381
57	129	-1.74607
58	129	-1.49507
59	129	-1.39169
60	129	-1.44649
61	129	-1.62124
62	129	-2.00213
63	129	-2.61277
64	129	-3.41741
65	129	-4.46653
66	129	-5.71146
67	129	-7.06555
68	129	-8.27347
69	129	-8.85979
70	129	-8.45795
71	129	-7.4357
72	129	-6.27991
73	129	-5.21791
74	129	-4.39886
75	129	-3.82187
76	129	-3.55082
77	129	-3.49682
78	129	-3.67944
79	129	-4.16477
80	129	-5.0306
81	129	-6.31692
82	129	-8.14615
83	129	-10.6642
84	129	-13.9643
85	129	-16.5225
86	129	-14.6223
87	129	-11.3463
88	129	-8.75166
89	129	-6.92466
90	129	-5.63983
91	129	-4.8075
92	129	-4.23704
93	129	-4.09244
94	129	-4.20339
95	129	-4.63034
96	129	-5.52887
97	129	-6.8282
98	129	-8.77003
99	129	-11.6131
100	129	-17.3621

101	129	-20.3899
102	129	-14.6815
103	129	-10.6083
104	129	-7.97202
105	129	-6.37781
106	129	-5.15605
107	129	-4.34683
108	129	-3.8994
109	129	-3.68161
110	129	-3.72179
111	129	-4.01545
112	129	-4.54688
113	129	-5.32265
114	129	-6.31427
115	129	-7.41805
116	129	-8.42456
117	129	-9.05475
118	129	-8.75781
119	129	-7.83497
120	129	-6.59982
121	129	-5.27353
122	129	-4.11902
123	129	-3.16537
124	129	-2.42651
125	129	-1.83485
126	129	-1.46822
127	129	-1.22004
128	129	-1.13897
129	129	-1.17999
130	129	-1.371
131	129	-1.65078
132	129	-2.02825
133	129	-2.47626
134	129	-2.95374
135	129	-3.42828
136	129	-3.83079
137	129	-4.10526
138	129	-4.1962
139	129	-4.06035
140	129	-3.73897
141	129	-3.29728
142	129	-2.77613
143	129	-2.21972
144	129	-1.67016
145	129	-1.13963
146	129	-0.693941
147	129	-0.273627
148	129	0.0912825
149	129	0.410745
150	129	0.688151
151	129	0.905542
152	129	1.10754
153	129	1.26725
154	129	1.39689
155	129	1.51351
156	129	1.6066
157	129	1.67073
158	129	1.71648
159	129	1.75246
160	129	1.79431
161	129	1.83249
162	129	1.86551
163	129	1.88398
164	129	1.89343
165	129	1.90705
166	129	1.91291
167	129	1.91693
168	129	1.9218
169	129	1.92329
170	129	1.92206
171	129	1.92095
172	129	1.93168
173	129	1.94931
174	129	1.96465
175	129	1.98454
176	129	2.0032
177	129	2.01927
178	129	2.04579
179	129	2.07288
180	129	2.09736
-180	130	2.12766
-179	130	2.14572
-178	130	2.12727
-177	130	2.17057
-176	130	2.17406
-175	130	2.17395
-174	130	2.1665
-173	130	2.13296
-172	130	2.10179
-171	130	2.05508
-170	130	1.99859
-169	130	1.93221
-168	130	1.84673
-167	130	1.75118
-166	130	1.6453
-165	130	1.51961
-164	130	1.37625

-163	130	1.22586
-162	130	1.05991
-161	130	0.892016
-160	130	0.720634
-159	130	0.544996
-158	130	0.380432
-157	130	0.220027
-156	130	0.0821674
-155	130	-0.0197904
-154	130	-0.0744357
-153	130	-0.0929294
-152	130	-0.0646477
-151	130	-0.00407233
-150	130	0.105722
-149	130	0.224707
-148	130	0.339672
-147	130	0.476797
-146	130	0.589634
-145	130	0.680705
-144	130	0.737898
-143	130	0.745592
-142	130	0.699756
-141	130	0.599138
-140	130	0.415675
-139	130	0.160373
-138	130	-0.174071
-137	130	-0.587871
-136	130	-1.08622
-135	130	-1.65313
-134	130	-2.26556
-133	130	-2.86938
-132	130	-3.40232
-131	130	-3.78068
-130	130	-3.92437
-129	130	-3.79958
-128	130	-3.45139
-127	130	-2.96492
-126	130	-2.43163
-125	130	-1.93337
-124	130	-1.50159
-123	130	-1.18846
-122	130	-1.01088
-121	130	-0.98399
-120	130	-1.10345
-119	130	-1.40793
-118	130	-1.91655
-117	130	-2.64962
-116	130	-3.56531
-115	130	-4.76008
-114	130	-6.11354
-113	130	-7.37492
-112	130	-8.27664
-111	130	-8.49566
-110	130	-7.65739
-109	130	-6.50477
-108	130	-5.34067
-107	130	-4.35493
-106	130	-3.51596
-105	130	-3.05292
-104	130	-2.88058
-103	130	-2.92405
-102	130	-3.20455
-101	130	-3.75537
-100	130	-4.75768
-99	130	-6.17518
-98	130	-8.31672
-97	130	-11.2637
-96	130	-15.1036
-95	130	-16.9774
-94	130	-13.6784
-93	130	-10.3452
-92	130	-7.80603
-91	130	-6.05634
-90	130	-5.25571
-89	130	-4.43334
-88	130	-3.97753
-87	130	-3.88009
-86	130	-4.13486
-85	130	-4.63661
-84	130	-5.53284
-83	130	-6.85617
-82	130	-8.79131
-81	130	-11.5631
-80	130	-15.6339
-79	130	-18.0914
-78	130	-13.9666
-77	130	-10.1844
-76	130	-7.67097
-75	130	-5.93029
-74	130	-4.75281
-73	130	-3.93643
-72	130	-3.43229
-71	130	-3.20792
-70	130	-3.21524
-69	130	-3.45917
-68	130	-3.97575
-67	130	-4.69317

-66	130	-5.6721
-65	130	-6.7112
-64	130	-7.77851
-63	130	-8.42886
-62	130	-8.31085
-61	130	-7.48948
-60	130	-6.31261
-59	130	-5.09201
-58	130	-3.98628
-57	130	-3.05732
-56	130	-2.30671
-55	130	-1.7392
-54	130	-1.3253
-53	130	-1.06623
-52	130	-0.948748
-51	130	-0.979537
-50	130	-1.13325
-49	130	-1.3599
-48	130	-1.71775
-47	130	-2.15423
-46	130	-2.65146
-45	130	-3.17795
-44	130	-3.67227
-43	130	-4.07275
-42	130	-4.29564
-41	130	-4.30447
-40	130	-4.1041
-39	130	-3.72216
-38	130	-3.22021
-37	130	-2.66089
-36	130	-2.09739
-35	130	-1.55587
-34	130	-1.03346
-33	130	-0.558415
-32	130	-0.141702
-31	130	0.234422
-30	130	0.567743
-29	130	0.845228
-28	130	1.07167
-27	130	1.25491
-26	130	1.40043
-25	130	1.49936
-24	130	1.61574
-23	130	1.70636
-22	130	1.76566
-21	130	1.80482
-20	130	1.82684
-19	130	1.85242
-18	130	1.8717
-17	130	1.87497
-16	130	1.88266
-15	130	1.89429
-14	130	1.9058
-13	130	1.91357
-12	130	1.92593
-11	130	1.93188
-10	130	1.92559
-9	130	1.93436
-8	130	1.94045
-7	130	1.955
-6	130	1.96292
-5	130	1.97959
-4	130	1.97894
-3	130	1.99325
-2	130	2.00915
-1	130	2.0191
0	130	2.03124
1	130	2.04254
2	130	2.05474
3	130	2.06478
4	130	2.07245
5	130	2.0743
6	130	2.07204
7	130	2.06151
8	130	2.04301
9	130	2.00796
10	130	1.96297
11	130	1.89842
12	130	1.81182
13	130	1.73497
14	130	1.61711
15	130	1.51327
16	130	1.37089
17	130	1.22175
18	130	1.05176
19	130	0.874544
20	130	0.687214
21	130	0.489245
22	130	0.295702
23	130	0.111934
24	130	-0.0536725
25	130	-0.198423
26	130	-0.326536
27	130	-0.377154
28	130	-0.39316
29	130	-0.364814
30	130	-0.29628

31	130	-0.1868
32	130	-0.0771825
33	130	0.0581534
34	130	0.194183
35	130	0.312096
36	130	0.395398
37	130	0.43126
38	130	0.414368
39	130	0.336666
40	130	0.187613
41	130	-0.0358111
42	130	-0.336193
43	130	-0.716979
44	130	-1.17042
45	130	-1.69173
46	130	-2.26745
47	130	-2.86061
48	130	-3.43381
49	130	-3.86251
50	130	-4.10079
51	130	-4.10994
52	130	-3.86155
53	130	-3.45948
54	130	-2.97433
55	130	-2.49748
56	130	-2.02204
57	130	-1.68218
58	130	-1.46771
59	130	-1.39287
60	130	-1.42761
61	130	-1.6605
62	130	-2.1179
63	130	-2.7561
64	130	-3.63429
65	130	-4.73303
66	130	-6.01269
67	130	-7.37606
68	130	-8.51117
69	130	-8.8906
70	130	-8.36029
71	130	-7.30729
72	130	-6.14786
73	130	-5.1171
74	130	-4.31521
75	130	-3.76407
76	130	-3.52035
77	130	-3.47304
78	130	-3.66307
79	130	-4.14993
80	130	-5.01621
81	130	-6.27471
82	130	-8.05542
83	130	-10.5038
84	130	-13.7617
85	130	-16.5752
86	130	-15.1329
87	130	-11.8152
88	130	-9.13528
89	130	-7.22507
90	130	-5.88552
91	130	-5.00764
92	130	-4.45333
93	130	-4.17254
94	130	-4.24861
95	130	-4.60077
96	130	-5.41
97	130	-6.59569
98	130	-8.3547
99	130	-10.9008
100	130	-14.723
101	130	-20.3138
102	130	-15.9533
103	130	-11.4737
104	130	-8.61594
105	130	-6.89435
106	130	-5.55733
107	130	-4.62696
108	130	-4.04119
109	130	-3.76554
110	130	-3.68987
111	130	-3.84546
112	130	-4.23848
113	130	-4.86922
114	130	-5.72046
115	130	-6.72919
116	130	-7.76753
117	130	-8.56968
118	130	-8.87174
119	130	-8.29582
120	130	-7.26904
121	130	-6.0579
122	130	-4.83721
123	130	-3.79613
124	130	-2.945
125	130	-2.22603
126	130	-1.78941
127	130	-1.38888

128	130	-1.2574
129	130	-1.2056
130	130	-1.27246
131	130	-1.45364
132	130	-1.74463
133	130	-2.12155
134	130	-2.5578
135	130	-3.00915
136	130	-3.45776
137	130	-3.84141
138	130	-4.08424
139	130	-4.15595
140	130	-4.05297
141	130	-3.78276
142	130	-3.36282
143	130	-2.87467
144	130	-2.34762
145	130	-1.82298
146	130	-1.32465
147	130	-0.858216
148	130	-0.441345
149	130	-0.0713876
150	130	0.265264
151	130	0.547132
152	130	0.792763
153	130	1.00726
154	130	1.18129
155	130	1.33
156	130	1.45911
157	130	1.56722
158	130	1.64906
159	130	1.71949
160	130	1.78168
161	130	1.83325
162	130	1.87882
163	130	1.9088
164	130	1.9372
165	130	1.96267
166	130	1.97933
167	130	1.9895
168	130	1.99671
169	130	2.00417
170	130	2.01011
171	130	2.02147
172	130	2.03698
173	130	2.054
174	130	2.06422
175	130	2.07273
176	130	2.07873
177	130	2.08249
178	130	2.09649
179	130	2.11119
180	130	2.12766
-180	131	2.08726
-179	131	2.07339
-178	131	2.08835
-177	131	2.07753
-176	131	2.06786
-175	131	2.05238
-174	131	2.01831
-173	131	1.97002
-172	131	1.9221
-171	131	1.85413
-170	131	1.77777
-169	131	1.68665
-168	131	1.58195
-167	131	1.46775
-166	131	1.33635
-165	131	1.19534
-164	131	1.03812
-163	131	0.875105
-162	131	0.703863
-161	131	0.526411
-160	131	0.357924
-159	131	0.20457
-158	131	0.0722941
-157	131	-0.0599875
-156	131	-0.151829
-155	131	-0.207901
-154	131	-0.214452
-153	131	-0.185649
-152	131	-0.121177
-151	131	-0.0185624
-150	131	0.104551
-149	131	0.245306
-148	131	0.387613
-147	131	0.519203
-146	131	0.601252
-145	131	0.677442
-144	131	0.701088
-143	131	0.673677
-142	131	0.592582
-141	131	0.436589
-140	131	0.210834
-139	131	-0.0945795
-138	131	-0.470326
-137	131	-0.931754

-136	131	-1.47183
-135	131	-2.06752
-134	131	-2.67656
-133	131	-3.25184
-132	131	-3.71218
-131	131	-3.98021
-130	131	-3.98965
-129	131	-3.74431
-128	131	-3.31637
-127	131	-2.79326
-126	131	-2.26246
-125	131	-1.78113
-124	131	-1.3919
-123	131	-1.12626
-122	131	-0.998526
-121	131	-1.02497
-120	131	-1.21195
-119	131	-1.56845
-118	131	-2.11777
-117	131	-2.86591
-116	131	-3.85095
-115	131	-5.00608
-114	131	-6.3046
-113	131	-7.60174
-112	131	-8.57885
-111	131	-8.49826
-110	131	-7.71491
-109	131	-6.52516
-108	131	-5.28754
-107	131	-4.28782
-106	131	-3.44497
-105	131	-3.04912
-104	131	-2.8251
-103	131	-2.84429
-102	131	-3.13539
-101	131	-3.79607
-100	131	-4.74022
-99	131	-6.19794
-98	131	-8.21493
-97	131	-11.046
-96	131	-15.4445
-95	131	-17.0615
-94	131	-14.302
-93	131	-10.6424
-92	131	-8.09582
-91	131	-6.25299
-90	131	-5.41467
-89	131	-4.57163
-88	131	-4.12039
-87	131	-3.93789
-86	131	-4.15573
-85	131	-4.59104
-84	131	-5.38526
-83	131	-6.5984
-82	131	-8.33353
-81	131	-10.8386
-80	131	-14.4502
-79	131	-18.5191
-78	131	-15.0392
-77	131	-10.8106
-76	131	-8.13892
-75	131	-6.3157
-74	131	-5.01823
-73	131	-4.12818
-72	131	-3.53967
-71	131	-3.22286
-70	131	-3.14775
-69	131	-3.28976
-68	131	-3.65759
-67	131	-4.27483
-66	131	-5.07535
-65	131	-6.10381
-64	131	-7.11294
-63	131	-8.033
-62	131	-8.38508
-61	131	-7.98698
-60	131	-7.04151
-59	131	-5.87841
-58	131	-4.72884
-57	131	-3.71131
-56	131	-2.85988
-55	131	-2.18406
-54	131	-1.67762
-53	131	-1.3085
-52	131	-1.08794
-51	131	-1.00272
-50	131	-1.03913
-49	131	-1.18732
-48	131	-1.4396
-47	131	-1.78569
-46	131	-2.21152
-45	131	-2.68831
-44	131	-3.18455
-43	131	-3.66098
-42	131	-4.05361
-41	131	-4.3007
-40	131	-4.34346

-39	131	-4.1921
-38	131	-3.85468
-37	131	-3.38433
-36	131	-2.84808
-35	131	-2.30902
-34	131	-1.7729
-33	131	-1.25683
-32	131	-0.782632
-31	131	-0.359106
-30	131	0.0134937
-29	131	0.337108
-28	131	0.605554
-27	131	0.827975
-26	131	1.02053
-25	131	1.18922
-24	131	1.33738
-23	131	1.44495
-22	131	1.56059
-21	131	1.6343
-20	131	1.71
-19	131	1.77329
-18	131	1.81266
-17	131	1.84279
-16	131	1.87442
-15	131	1.88644
-14	131	1.90303
-13	131	1.90543
-12	131	1.91699
-11	131	1.91975
-10	131	1.92548
-9	131	1.93111
-8	131	1.95011
-7	131	1.95938
-6	131	1.96747
-5	131	1.98652
-4	131	1.99368
-3	131	1.99109
-2	131	2.0016
-1	131	2.00144
0	131	2.00209
1	131	2.00695
2	131	2.01022
3	131	2.00815
4	131	2.00061
5	131	1.98567
6	131	1.96212
7	131	1.92334
8	131	1.87836
9	131	1.81908
10	131	1.74574
11	131	1.65989
12	131	1.56195
13	131	1.43684
14	131	1.303
15	131	1.1662
16	131	1.00569
17	131	0.841021
18	131	0.665453
19	131	0.470325
20	131	0.271803
21	131	0.0877703
22	131	-0.079848
23	131	-0.225252
24	131	-0.345085
25	131	-0.437082
26	131	-0.508203
27	131	-0.519812
28	131	-0.482729
29	131	-0.412682
30	131	-0.306371
31	131	-0.171827
32	131	-0.0315652
33	131	0.0984823
34	131	0.228893
35	131	0.33162
36	131	0.388365
37	131	0.399812
38	131	0.352827
39	131	0.237506
40	131	0.0489579
41	131	-0.214818
42	131	-0.561723
43	131	-0.991287
44	131	-1.50305
45	131	-2.08029
46	131	-2.69131
47	131	-3.30133
48	131	-3.84102
49	131	-4.21713
50	131	-4.34193
51	131	-4.20887
52	131	-3.8445
53	131	-3.35729
54	131	-2.8329
55	131	-2.31954
56	131	-1.8985
57	131	-1.59723

58	131	-1.42912
59	131	-1.37115
60	131	-1.47397
61	131	-1.79106
62	131	-2.27562
63	131	-2.97877
64	131	-3.9055
65	131	-5.04261
66	131	-6.35889
67	131	-7.72769
68	131	-8.78157
69	131	-8.98003
70	131	-8.33044
71	131	-7.23425
72	131	-6.07133
73	131	-5.04322
74	131	-4.24916
75	131	-3.7971
76	131	-3.46752
77	131	-3.38431
78	131	-3.57095
79	131	-4.11972
80	131	-5.00116
81	131	-6.22615
82	131	-7.95852
83	131	-10.3294
84	131	-13.5286
85	131	-16.5251
86	131	-15.5857
87	131	-12.2672
88	131	-9.5112
89	131	-7.51289
90	131	-6.10484
91	131	-5.15038
92	131	-4.54934
93	131	-4.3055
94	131	-4.3147
95	131	-4.54406
96	131	-5.2289
97	131	-6.32276
98	131	-7.91256
99	131	-10.2043
100	131	-13.5619
101	131	-19.7855
102	131	-17.2701
103	131	-12.2078
104	131	-9.15603
105	131	-7.35701
106	131	-5.88347
107	131	-4.86913
108	131	-4.1805
109	131	-3.81506
110	131	-3.63625
111	131	-3.69061
112	131	-3.97671
113	131	-4.48878
114	131	-5.21625
115	131	-6.12125
116	131	-7.11864
117	131	-8.04843
118	131	-8.63099
119	131	-8.65575
120	131	-7.89424
121	131	-6.8247
122	131	-5.65882
123	131	-4.5357
124	131	-3.5806
125	131	-2.8253
126	131	-2.20946
127	131	-1.75326
128	131	-1.44489
129	131	-1.27693
130	131	-1.19608
131	131	-1.30494
132	131	-1.49835
133	131	-1.77739
134	131	-2.11784
135	131	-2.52132
136	131	-2.96529
137	131	-3.3985
138	131	-3.76881
139	131	-4.02814
140	131	-4.12752
141	131	-4.05904
142	131	-3.83099
143	131	-3.47102
144	131	-3.02824
145	131	-2.53925
146	131	-2.04626
147	131	-1.56572
148	131	-1.10816
149	131	-0.692547
150	131	-0.314205
151	131	0.0260822
152	131	0.321023
153	131	0.584414
154	131	0.813312

155	131	1.00754
156	131	1.17722
157	131	1.32314
158	131	1.44691
159	131	1.54899
160	131	1.63662
161	131	1.71051
162	131	1.7731
163	131	1.82666
164	131	1.87292
165	131	1.91551
166	131	1.94875
167	131	1.97334
168	131	1.99261
169	131	2.00961
170	131	2.02255
171	131	2.03986
172	131	2.05647
173	131	2.07129
174	131	2.07726
175	131	2.07931
176	131	2.07677
177	131	2.07246
178	131	2.07515
179	131	2.07759
180	131	2.08726
-180	132	1.9325
-179	132	1.92356
-178	132	1.90431
-177	132	1.88283
-176	132	1.85859
-175	132	1.82114
-174	132	1.7637
-173	132	1.70581
-172	132	1.63895
-171	132	1.56084
-170	132	1.46044
-169	132	1.34546
-168	132	1.22966
-167	132	1.09082
-166	132	0.942703
-165	132	0.779152
-164	132	0.621329
-163	132	0.452959
-162	132	0.286396
-161	132	0.122733
-160	132	-0.0280221
-159	132	-0.1576
-158	132	-0.244592
-157	132	-0.332336
-156	132	-0.366275
-155	132	-0.369782
-154	132	-0.327268
-153	132	-0.251027
-152	132	-0.142557
-151	132	-0.0152909
-150	132	0.12621
-149	132	0.27264
-148	132	0.402831
-147	132	0.521841
-146	132	0.621415
-145	132	0.656033
-144	132	0.620648
-143	132	0.563453
-142	132	0.434737
-141	132	0.2272
-140	132	-0.0398294
-139	132	-0.394239
-138	132	-0.813205
-137	132	-1.32094
-136	132	-1.89599
-135	132	-2.50642
-134	132	-3.10809
-133	132	-3.62792
-132	132	-3.98739
-131	132	-4.11951
-130	132	-3.99267
-129	132	-3.64018
-128	132	-3.14687
-127	132	-2.60849
-126	132	-2.08854
-125	132	-1.63938
-124	132	-1.29896
-123	132	-1.08901
-122	132	-1.0164
-121	132	-1.09769
-120	132	-1.33814
-119	132	-1.75283
-118	132	-2.33634
-117	132	-3.13192
-116	132	-4.17366
-115	132	-5.40451
-114	132	-6.72645
-113	132	-8.01407
-112	132	-8.71476
-111	132	-8.47617
-110	132	-7.48407

-109	132	-6.25059
-108	132	-5.10236
-107	132	-4.05878
-106	132	-3.43132
-105	132	-3.08071
-104	132	-2.87119
-103	132	-2.86389
-102	132	-3.15374
-101	132	-3.80286
-100	132	-4.7484
-99	132	-6.16281
-98	132	-8.30181
-97	132	-11.061
-96	132	-14.8838
-95	132	-17.299
-94	132	-14.2265
-93	132	-10.8185
-92	132	-8.28647
-91	132	-6.39742
-90	132	-5.5757
-89	132	-4.68567
-88	132	-4.18043
-87	132	-3.98826
-86	132	-4.14899
-85	132	-4.51677
-84	132	-5.22633
-83	132	-6.32063
-82	132	-7.9062
-81	132	-10.1529
-80	132	-13.3462
-79	132	-17.3683
-78	132	-13.2805
-77	132	-10.7713
-76	132	-8.49029
-75	132	-6.7169
-74	132	-5.36816
-73	132	-4.41693
-72	132	-3.74204
-71	132	-3.32674
-70	132	-3.15375
-69	132	-3.19815
-68	132	-3.45237
-67	132	-3.91387
-66	132	-4.60814
-65	132	-5.44797
-64	132	-6.48967
-63	132	-7.41656
-62	132	-8.16138
-61	132	-8.2483
-60	132	-7.67539
-59	132	-6.67101
-58	132	-5.53997
-57	132	-4.46729
-56	132	-3.53013
-55	132	-2.75113
-54	132	-2.13642
-53	132	-1.65708
-52	132	-1.33467
-51	132	-1.14089
-50	132	-1.06468
-49	132	-1.10505
-48	132	-1.25584
-47	132	-1.50396
-46	132	-1.83852
-45	132	-2.24255
-44	132	-2.6908
-43	132	-3.15326
-42	132	-3.59514
-41	132	-3.96752
-40	132	-4.21453
-39	132	-4.29449
-38	132	-4.18221
-37	132	-3.90484
-36	132	-3.49639
-35	132	-3.02733
-34	132	-2.54769
-33	132	-2.04839
-32	132	-1.56229
-31	132	-1.11525
-30	132	-0.708558
-29	132	-0.340564
-28	132	-0.0131264
-27	132	0.271263
-26	132	0.5199
-25	132	0.739381
-24	132	0.934175
-23	132	1.1043
-22	132	1.23164
-21	132	1.36511
-20	132	1.46202
-19	132	1.55273
-18	132	1.61995
-17	132	1.6667
-16	132	1.72134
-15	132	1.76445
-14	132	1.78842
-13	132	1.82378

-12	132	1.84912
-11	132	1.87042
-10	132	1.88194
-9	132	1.88799
-8	132	1.89254
-7	132	1.91264
-6	132	1.91456
-5	132	1.93421
-4	132	1.92007
-3	132	1.9174
-2	132	1.8984
-1	132	1.88944
0	132	1.87815
1	132	1.86457
2	132	1.84745
3	132	1.82025
4	132	1.7892
5	132	1.74761
6	132	1.69548
7	132	1.62631
8	132	1.55947
9	132	1.48653
10	132	1.39584
11	132	1.28284
12	132	1.17624
13	132	1.01103
14	132	0.861253
15	132	0.673609
16	132	0.494093
17	132	0.312165
18	132	0.131527
19	132	-0.0501918
20	132	-0.221395
21	132	-0.371346
22	132	-0.491819
23	132	-0.587765
24	132	-0.65306
25	132	-0.684614
26	132	-0.669398
27	132	-0.629138
28	132	-0.537773
29	132	-0.426539
30	132	-0.29993
31	132	-0.161002
32	132	0.00595227
33	132	0.153053
34	132	0.270468
35	132	0.334264
36	132	0.346351
37	132	0.30854
38	132	0.205287
39	132	0.0341474
40	132	-0.214941
41	132	-0.538377
42	132	-0.943022
43	132	-1.42647
44	132	-1.9817
45	132	-2.5887
46	132	-3.21509
47	132	-3.77878
48	132	-4.23046
49	132	-4.48553
50	132	-4.48122
51	132	-4.22841
52	132	-3.78555
53	132	-3.25297
54	132	-2.70443
55	132	-2.20858
56	132	-1.81048
57	132	-1.55583
58	132	-1.39392
59	132	-1.37968
60	132	-1.56985
61	132	-1.91711
62	132	-2.47132
63	132	-3.22949
64	132	-4.2046
65	132	-5.38797
66	132	-6.74707
67	132	-8.11198
68	132	-9.04089
69	132	-9.06952
70	132	-8.32261
71	132	-7.18121
72	132	-5.98372
73	132	-4.97591
74	132	-4.22702
75	132	-3.74132
76	132	-3.45498
77	132	-3.37922
78	132	-3.56461
79	132	-4.10079
80	132	-4.96594
81	132	-6.19021
82	132	-7.83365
83	132	-10.1741
84	132	-13.2751

85	132	-16.3603
86	132	-15.8215
87	132	-12.6403
88	132	-9.83112
89	132	-7.78731
90	132	-6.32492
91	132	-5.28385
92	132	-4.62371
93	132	-4.31342
94	132	-4.32991
95	132	-4.54593
96	132	-5.07862
97	132	-6.03752
98	132	-7.45572
99	132	-9.49315
100	132	-12.4605
101	132	-16.7008
102	132	-15.1726
103	132	-12.2287
104	132	-9.6002
105	132	-7.84873
106	132	-6.2979
107	132	-5.20687
108	132	-4.42148
109	132	-3.96057
110	132	-3.6914
111	132	-3.64039
112	132	-3.80594
113	132	-4.18257
114	132	-4.76821
115	132	-5.54478
116	132	-6.4763
117	132	-7.45953
118	132	-8.28572
119	132	-8.66113
120	132	-8.42828
121	132	-7.53493
122	132	-6.46054
123	132	-5.34921
124	132	-4.31096
125	132	-3.41932
126	132	-2.69515
127	132	-2.14125
128	132	-1.73052
129	132	-1.45289
130	132	-1.29179
131	132	-1.25675
132	132	-1.3304
133	132	-1.49537
134	132	-1.74744
135	132	-2.07151
136	132	-2.45427
137	132	-2.86921
138	132	-3.27492
139	132	-3.64132
140	132	-3.91959
141	132	-4.06389
142	132	-4.04578
143	132	-3.88933
144	132	-3.6429
145	132	-3.21932
146	132	-2.78594
147	132	-2.32759
148	132	-1.86786
149	132	-1.43073
150	132	-1.02074
151	132	-0.6408
152	132	-0.298097
153	132	0.00771827
154	132	0.284964
155	132	0.526893
156	132	0.743195
157	132	0.929248
158	132	1.0911
159	132	1.23732
160	132	1.35924
161	132	1.46101
162	132	1.55067
163	132	1.62912
164	132	1.69489
165	132	1.75607
166	132	1.80742
167	132	1.84527
168	132	1.87788
169	132	1.90426
170	132	1.92628
171	132	1.94421
172	132	1.959
173	132	1.97003
174	132	1.97032
175	132	1.96589
176	132	1.9598
177	132	1.95794
178	132	1.95534
179	132	1.95349
180	132	1.9325
-180	133	1.69361

-179	133	1.65999
-178	133	1.61354
-177	133	1.56714
-176	133	1.52211
-175	133	1.4566
-174	133	1.39947
-173	133	1.32912
-172	133	1.24579
-171	133	1.15374
-170	133	1.04099
-169	133	0.91358
-168	133	0.784359
-167	133	0.63609
-166	133	0.480383
-165	133	0.317273
-164	133	0.154368
-163	133	0.00351824
-162	133	-0.145763
-161	133	-0.282137
-160	133	-0.402583
-159	133	-0.490225
-158	133	-0.540202
-157	133	-0.565844
-156	133	-0.538502
-155	133	-0.47563
-154	133	-0.382999
-153	133	-0.261784
-152	133	-0.119283
-151	133	0.0282256
-150	133	0.177416
-149	133	0.311804
-148	133	0.427762
-147	133	0.519758
-146	133	0.562055
-145	133	0.569631
-144	133	0.545913
-143	133	0.430543
-142	133	0.217094
-141	133	-0.0360473
-140	133	-0.35351
-139	133	-0.763934
-138	133	-1.24368
-137	133	-1.78703
-136	133	-2.38434
-135	133	-2.99229
-134	133	-3.56777
-133	133	-4.00144
-132	133	-4.21504
-131	133	-4.17993
-130	133	-3.90764
-129	133	-3.46504
-128	133	-2.94388
-127	133	-2.40373
-126	133	-1.91745
-125	133	-1.51466
-124	133	-1.2282
-123	133	-1.07184
-122	133	-1.05192
-121	133	-1.18208
-120	133	-1.45674
-119	133	-1.93137
-118	133	-2.57847
-117	133	-3.44007
-116	133	-4.50419
-115	133	-5.75936
-114	133	-7.15508
-113	133	-8.36108
-112	133	-8.93109
-111	133	-8.51293
-110	133	-7.41684
-109	133	-6.15094
-108	133	-5.02042
-107	133	-3.99298
-106	133	-3.4423
-105	133	-2.98701
-104	133	-2.7862
-103	133	-2.84539
-102	133	-3.25805
-101	133	-3.97511
-100	133	-4.93875
-99	133	-6.25672
-98	133	-8.19888
-97	133	-11.0572
-96	133	-14.663
-95	133	-16.8673
-94	133	-14.2668
-93	133	-10.8975
-92	133	-8.41972
-91	133	-7.03043
-90	133	-5.70286
-89	133	-4.7893
-88	133	-4.22667
-87	133	-4.02068
-86	133	-4.15099
-85	133	-4.45529
-84	133	-5.07343
-83	133	-6.05312

-82	133	-7.4673
-81	133	-9.44553
-80	133	-12.2271
-79	133	-15.9054
-78	133	-15.2831
-77	133	-11.3458
-76	133	-9.18864
-75	133	-7.33974
-74	133	-5.88836
-73	133	-4.79402
-72	133	-4.02387
-71	133	-3.51243
-70	133	-3.23456
-69	133	-3.17867
-68	133	-3.31738
-67	133	-3.66994
-66	133	-4.2136
-65	133	-4.97278
-64	133	-5.86622
-63	133	-6.89602
-62	133	-7.73379
-61	133	-8.31938
-60	133	-8.20129
-59	133	-7.49195
-58	133	-6.46213
-57	133	-5.36905
-56	133	-4.34741
-55	133	-3.44504
-54	133	-2.72208
-53	133	-2.13592
-52	133	-1.68483
-51	133	-1.36958
-50	133	-1.18166
-49	133	-1.10656
-48	133	-1.14262
-47	133	-1.27738
-46	133	-1.50456
-45	133	-1.8117
-44	133	-2.18385
-43	133	-2.60003
-42	133	-3.0372
-41	133	-3.45228
-40	133	-3.81741
-39	133	-4.08064
-38	133	-4.21578
-37	133	-4.1976
-36	133	-4.01422
-35	133	-3.69089
-34	133	-3.31337
-33	133	-2.88539
-32	133	-2.42541
-31	133	-1.96777
-30	133	-1.53158
-29	133	-1.13075
-28	133	-0.760903
-27	133	-0.423794
-26	133	-0.131639
-25	133	0.125067
-24	133	0.365415
-23	133	0.57766
-22	133	0.733363
-21	133	0.93552
-20	133	1.07447
-19	133	1.18279
-18	133	1.28262
-17	133	1.37515
-16	133	1.43619
-15	133	1.48849
-14	133	1.54813
-13	133	1.59543
-12	133	1.63459
-11	133	1.66602
-10	133	1.67375
-9	133	1.67379
-8	133	1.68756
-7	133	1.70248
-6	133	1.71695
-5	133	1.71495
-4	133	1.71243
-3	133	1.70594
-2	133	1.69598
-1	133	1.6771
0	133	1.6503
1	133	1.63006
2	133	1.59445
3	133	1.55659
4	133	1.51416
5	133	1.45837
6	133	1.3882
7	133	1.30514
8	133	1.2171
9	133	1.11328
10	133	0.984074
11	133	0.880085
12	133	0.727068
13	133	0.579603
14	133	0.420827

15	133	0.241415
16	133	0.0667103
17	133	-0.0990227
18	133	-0.270921
19	133	-0.433672
20	133	-0.585657
21	133	-0.711336
22	133	-0.802933
23	133	-0.847766
24	133	-0.855524
25	133	-0.81213
26	133	-0.735773
27	133	-0.62612
28	133	-0.495442
29	133	-0.357211
30	133	-0.212248
31	133	-0.0695426
32	133	0.0641114
33	133	0.187017
34	133	0.271295
35	133	0.299538
36	133	0.266905
37	133	0.172995
38	133	0.00501756
39	133	-0.218891
40	133	-0.488591
41	133	-0.86058
42	133	-1.32773
43	133	-1.86289
44	133	-2.45874
45	133	-3.09277
46	133	-3.70818
47	133	-4.23143
48	133	-4.58328
49	133	-4.69766
50	133	-4.54272
51	133	-4.17136
52	133	-3.67322
53	133	-3.105
54	133	-2.5637
55	133	-2.09696
56	133	-1.7141
57	133	-1.49268
58	133	-1.3716
59	133	-1.45569
60	133	-1.66996
61	133	-2.09516
62	133	-2.70364
63	133	-3.514
64	133	-4.53719
65	133	-5.77705
66	133	-7.16652
67	133	-8.48303
68	133	-9.23889
69	133	-9.16076
70	133	-8.30882
71	133	-7.08047
72	133	-5.8932
73	133	-4.92859
74	133	-4.2474
75	133	-3.71418
76	133	-3.39614
77	133	-3.33791
78	133	-3.59814
79	133	-4.13752
80	133	-4.96999
81	133	-6.19311
82	133	-7.82986
83	133	-10.0598
84	133	-13.033
85	133	-16.0666
86	133	-15.8631
87	133	-12.8503
88	133	-10.0748
89	133	-8.00178
90	133	-6.51413
91	133	-5.41157
92	133	-4.68345
93	133	-4.31293
94	133	-4.26063
95	133	-4.52109
96	133	-4.89128
97	133	-5.76977
98	133	-7.03914
99	133	-8.83905
100	133	-11.4237
101	133	-15.1086
102	133	-17.6384
103	133	-12.9061
104	133	-10.4081
105	133	-8.29371
106	133	-6.88699
107	133	-5.63231
108	133	-4.74375
109	133	-4.19134
110	133	-3.81952
111	133	-3.67784

112	133	-3.73997
113	133	-4.0084
114	133	-4.47924
115	133	-5.1435
116	133	-5.97963
117	133	-6.9272
118	133	-7.84296
119	133	-8.51156
120	133	-8.6772
121	133	-8.25522
122	133	-7.292
123	133	-6.24351
124	133	-5.0768
125	133	-4.13028
126	133	-3.29145
127	133	-2.63829
128	133	-2.12138
129	133	-1.72265
130	133	-1.43128
131	133	-1.26042
132	133	-1.23801
133	133	-1.29897
134	133	-1.45108
135	133	-1.68297
136	133	-1.9852
137	133	-2.33983
138	133	-2.72791
139	133	-3.10705
140	133	-3.4667
141	133	-3.76215
142	133	-3.94714
143	133	-4.0134
144	133	-3.92776
145	133	-3.73627
146	133	-3.44028
147	133	-3.07056
148	133	-2.66869
149	133	-2.24962
150	133	-1.83612
151	133	-1.44081
152	133	-1.06493
153	133	-0.721083
154	133	-0.407658
155	133	-0.120896
156	133	0.139578
157	133	0.368997
158	133	0.573976
159	133	0.760571
160	133	0.919128
161	133	1.06012
162	133	1.18313
163	133	1.28843
164	133	1.37932
165	133	1.46691
166	133	1.54093
167	133	1.59716
168	133	1.644
169	133	1.68038
170	133	1.70904
171	133	1.73318
172	133	1.75334
173	133	1.76907
174	133	1.76909
175	133	1.76598
176	133	1.76496
177	133	1.76388
178	133	1.75806
179	133	1.72472
180	133	1.69361
-180	134	1.35528
-179	134	1.3178
-178	134	1.25675
-177	134	1.18997
-176	134	1.10051
-175	134	1.03091
-174	134	0.95702
-173	134	0.861663
-172	134	0.754265
-171	134	0.65395
-170	134	0.521448
-169	134	0.384722
-168	134	0.24346
-167	134	0.100245
-166	134	-0.0436871
-165	134	-0.196261
-164	134	-0.337659
-163	134	-0.465864
-162	134	-0.576044
-161	134	-0.667555
-160	134	-0.733766
-159	134	-0.763924
-158	134	-0.760928
-157	134	-0.717107
-156	134	-0.639022
-155	134	-0.518958
-154	134	-0.381921
-153	134	-0.226783

-152	134	-0.067308
-151	134	0.086568
-150	134	0.22173
-149	134	0.338549
-148	134	0.427063
-147	134	0.474894
-146	134	0.485208
-145	134	0.44281
-144	134	0.332385
-143	134	0.165407
-142	134	-0.0460135
-141	134	-0.329526
-140	134	-0.743291
-139	134	-1.21619
-138	134	-1.74526
-137	134	-2.31214
-136	134	-2.91432
-135	134	-3.49257
-134	134	-3.98746
-133	134	-4.30029
-132	134	-4.3631
-131	134	-4.17207
-130	134	-3.78199
-129	134	-3.28904
-128	134	-2.73808
-127	134	-2.21551
-126	134	-1.76376
-125	134	-1.40903
-124	134	-1.17705
-123	134	-1.07429
-122	134	-1.11544
-121	134	-1.28338
-120	134	-1.63013
-119	134	-2.13729
-118	134	-2.85348
-117	134	-3.71651
-116	134	-4.8426
-115	134	-6.2072
-114	134	-7.5822
-113	134	-8.70405
-112	134	-9.07971
-111	134	-8.49123
-110	134	-7.30727
-109	134	-6.039
-108	134	-4.7975
-107	134	-3.94042
-106	134	-3.38808
-105	134	-3.00848
-104	134	-2.83466
-103	134	-2.90473
-102	134	-3.26786
-101	134	-3.88804
-100	134	-4.86067
-99	134	-6.38644
-98	134	-8.3564
-97	134	-11.263
-96	134	-14.9096
-95	134	-16.8874
-94	134	-14.3163
-93	134	-10.9953
-92	134	-8.50144
-91	134	-7.29019
-90	134	-5.77276
-89	134	-4.83838
-88	134	-4.25388
-87	134	-4.0379
-86	134	-4.09148
-85	134	-4.34497
-84	134	-4.88658
-83	134	-5.77125
-82	134	-7.04417
-81	134	-8.8277
-80	134	-11.2894
-79	134	-14.5764
-78	134	-17.4608
-77	134	-13.8599
-76	134	-10.2404
-75	134	-8.14734
-74	134	-6.54212
-73	134	-5.32111
-72	134	-4.43571
-71	134	-3.82662
-70	134	-3.44525
-69	134	-3.27776
-68	134	-3.31285
-67	134	-3.54243
-66	134	-3.97369
-65	134	-4.58483
-64	134	-5.36909
-63	134	-6.32556
-62	134	-7.32287
-61	134	-8.07797
-60	134	-8.49884
-59	134	-8.18194
-58	134	-7.33528
-57	134	-6.267
-56	134	-5.15465

-55	134	-4.18769
-54	134	-3.33924
-53	134	-2.64379
-52	134	-2.09184
-51	134	-1.67718
-50	134	-1.38576
-49	134	-1.20825
-48	134	-1.13807
-47	134	-1.17007
-46	134	-1.29183
-45	134	-1.49533
-44	134	-1.77154
-43	134	-2.11079
-42	134	-2.49458
-41	134	-2.9027
-40	134	-3.30996
-39	134	-3.66921
-38	134	-3.9629
-37	134	-4.15905
-36	134	-4.22226
-35	134	-4.12557
-34	134	-3.908
-33	134	-3.62073
-32	134	-3.27004
-31	134	-2.85331
-30	134	-2.43255
-29	134	-2.01793
-28	134	-1.62065
-27	134	-1.25762
-26	134	-0.920072
-25	134	-0.605554
-24	134	-0.331028
-23	134	-0.0889618
-22	134	0.145055
-21	134	0.34719
-20	134	0.503968
-19	134	0.65432
-18	134	0.795472
-17	134	0.922157
-16	134	1.00089
-15	134	1.0635
-14	134	1.14063
-13	134	1.19586
-12	134	1.2446
-11	134	1.28946
-10	134	1.32464
-9	134	1.34926
-8	134	1.37551
-7	134	1.39577
-6	134	1.39766
-5	134	1.40275
-4	134	1.39431
-3	134	1.37857
-2	134	1.36202
-1	134	1.33592
0	134	1.30073
1	134	1.26911
2	134	1.23241
3	134	1.15935
4	134	1.08834
5	134	1.01278
6	134	0.922495
7	134	0.824545
8	134	0.711526
9	134	0.604608
10	134	0.499739
11	134	0.358784
12	134	0.18737
13	134	0.047702
14	134	-0.11748
15	134	-0.288207
16	134	-0.45069
17	134	-0.601502
18	134	-0.735571
19	134	-0.850016
20	134	-0.938868
21	134	-0.997431
22	134	-1.01508
23	134	-0.997744
24	134	-0.95107
25	134	-0.859798
26	134	-0.743229
27	134	-0.590008
28	134	-0.434583
29	134	-0.27046
30	134	-0.118464
31	134	0.0196797
32	134	0.11884
33	134	0.201006
34	134	0.242502
35	134	0.230498
36	134	0.157825
37	134	0.0164513
38	134	-0.198425
39	134	-0.482767
40	134	-0.833448
41	134	-1.26788

42	134	-1.79715
43	134	-2.39319
44	134	-3.0492
45	134	-3.67126
46	134	-4.19892
47	134	-4.63882
48	134	-4.85923
49	134	-4.80623
50	134	-4.50688
51	134	-4.04847
52	134	-3.49224
53	134	-2.92509
54	134	-2.41287
55	134	-1.94771
56	134	-1.65699
57	134	-1.44711
58	134	-1.42673
59	134	-1.53168
60	134	-1.8299
61	134	-2.30803
62	134	-2.97369
63	134	-3.83905
64	134	-4.92436
65	134	-6.21612
66	134	-7.62264
67	134	-8.86046
68	134	-9.49834
69	134	-9.31325
70	134	-8.24606
71	134	-6.98444
72	134	-5.83921
73	134	-4.87756
74	134	-4.21804
75	134	-3.72015
76	134	-3.43927
77	134	-3.39587
78	134	-3.67837
79	134	-4.21164
80	134	-5.04338
81	134	-6.23772
82	134	-7.88454
83	134	-10.0639
84	134	-12.936
85	134	-15.8995
86	134	-15.8841
87	134	-12.9973
88	134	-10.2476
89	134	-8.15982
90	134	-6.64927
91	134	-5.51788
92	134	-4.75477
93	134	-4.32155
94	134	-4.20589
95	134	-4.38857
96	134	-4.73935
97	134	-5.44513
98	134	-6.60777
99	134	-8.2173
100	134	-10.4733
101	134	-13.664
102	134	-17.6179
103	134	-16.0434
104	134	-11.6578
105	134	-9.22523
106	134	-7.63451
107	134	-6.20789
108	134	-5.17499
109	134	-4.45433
110	134	-4.03809
111	134	-3.79053
112	134	-3.74971
113	134	-3.90256
114	134	-4.24693
115	134	-4.77884
116	134	-5.50175
117	134	-6.3647
118	134	-7.29098
119	134	-8.17279
120	134	-8.70452
121	134	-8.6205
122	134	-8.0508
123	134	-7.06669
124	134	-5.94698
125	134	-4.96882
126	134	-4.03563
127	134	-3.2325
128	134	-2.57332
129	134	-2.06203
130	134	-1.65408
131	134	-1.40956
132	134	-1.28122
133	134	-1.23546
134	134	-1.28093
135	134	-1.40027
136	134	-1.60413
137	134	-1.88453
138	134	-2.20991

139	134	-2.56164
140	134	-2.9332
141	134	-3.28167
142	134	-3.59107
143	134	-3.82908
144	134	-3.96215
145	134	-3.97587
146	134	-3.87865
147	134	-3.6734
148	134	-3.39168
149	134	-3.04352
150	134	-2.67143
151	134	-2.28798
152	134	-1.90578
153	134	-1.54128
154	134	-1.19956
155	134	-0.880516
156	134	-0.588737
157	134	-0.325881
158	134	-0.0873186
159	134	0.1306
160	134	0.321695
161	134	0.491876
162	134	0.647205
163	134	0.787691
164	134	0.915109
165	134	1.0227
166	134	1.11963
167	134	1.19384
168	134	1.25723
169	134	1.3092
170	134	1.35148
171	134	1.38351
172	134	1.40749
173	134	1.42011
174	134	1.42112
175	134	1.42731
176	134	1.43325
177	134	1.43315
178	134	1.39177
179	134	1.39611
180	134	1.35528
-180	135	0.876529
-179	135	0.836125
-178	135	0.770602
-177	135	0.681712
-176	135	0.583245
-175	135	0.510408
-174	135	0.407541
-173	135	0.313303
-172	135	0.207982
-171	135	0.0967644
-170	135	-0.0230672
-169	135	-0.157409
-168	135	-0.297011
-167	135	-0.435868
-166	135	-0.56084
-165	135	-0.692763
-164	135	-0.806077
-163	135	-0.897749
-162	135	-0.964719
-161	135	-1.0008
-160	135	-1.00203
-159	135	-0.968844
-158	135	-0.905222
-157	135	-0.8014
-156	135	-0.669327
-155	135	-0.516462
-154	135	-0.351926
-153	135	-0.179811
-152	135	-0.0122591
-151	135	0.128373
-150	135	0.253053
-149	135	0.352935
-148	135	0.404831
-147	135	0.411443
-146	135	0.367099
-145	135	0.269695
-144	135	0.108886
-143	135	-0.107184
-142	135	-0.399113
-141	135	-0.771551
-140	135	-1.20586
-139	135	-1.67618
-138	135	-2.22872
-137	135	-2.85029
-136	135	-3.45171
-135	135	-3.98347
-134	135	-4.3644
-133	135	-4.51719
-132	135	-4.40735
-131	135	-4.07579
-130	135	-3.62012
-129	135	-3.07401
-128	135	-2.52181
-127	135	-2.02538
-126	135	-1.61685

-125	135	-1.31637
-124	135	-1.13779
-123	135	-1.08916
-122	135	-1.16151
-121	135	-1.37374
-120	135	-1.77394
-119	135	-2.34864
-118	135	-3.06683
-117	135	-4.04717
-116	135	-5.20538
-115	135	-6.64105
-114	135	-8.0154
-113	135	-9.0311
-112	135	-9.15018
-111	135	-8.40336
-110	135	-7.16887
-109	135	-5.91588
-108	135	-4.68994
-107	135	-3.93455
-106	135	-3.3697
-105	135	-2.96491
-104	135	-2.7869
-103	135	-2.90745
-102	135	-3.35656
-101	135	-4.03294
-100	135	-5.0815
-99	135	-6.52784
-98	135	-8.50397
-97	135	-11.1382
-96	135	-14.6867
-95	135	-16.5907
-94	135	-14.2423
-93	135	-11.0686
-92	135	-8.59392
-91	135	-7.38521
-90	135	-5.84811
-89	135	-4.90282
-88	135	-4.30797
-87	135	-4.01407
-86	135	-4.04165
-85	135	-4.22117
-84	135	-4.68989
-83	135	-5.46461
-82	135	-6.59869
-81	135	-8.17148
-80	135	-10.3466
-79	135	-13.2951
-78	135	-16.5904
-77	135	-15.3557
-76	135	-11.7389
-75	135	-9.28561
-74	135	-7.41653
-73	135	-6.01591
-72	135	-4.96575
-71	135	-4.22554
-70	135	-3.73204
-69	135	-3.45783
-68	135	-3.39036
-67	135	-3.51415
-66	135	-3.82539
-65	135	-4.32407
-64	135	-4.99267
-63	135	-5.81742
-62	135	-6.77397
-61	135	-7.68114
-60	135	-8.27658
-59	135	-8.36353
-58	135	-7.93029
-57	135	-7.09043
-56	135	-6.01813
-55	135	-4.99571
-54	135	-4.06949
-53	135	-3.2797
-52	135	-2.62442
-51	135	-2.10152
-50	135	-1.70158
-49	135	-1.41282
-48	135	-1.23124
-47	135	-1.15261
-46	135	-1.16566
-45	135	-1.26547
-44	135	-1.44304
-43	135	-1.68833
-42	135	-1.98903
-41	135	-2.33946
-40	135	-2.71924
-39	135	-3.10471
-38	135	-3.4637
-37	135	-3.7735
-36	135	-4.00222
-35	135	-4.12547
-34	135	-4.122
-33	135	-4.00301
-32	135	-3.81539
-31	135	-3.55446
-30	135	-3.21894
-29	135	-2.85976

-28	135	-2.51063
-27	135	-2.15434
-26	135	-1.80415
-25	135	-1.4809
-24	135	-1.17341
-23	135	-0.886555
-22	135	-0.616009
-21	135	-0.409878
-20	135	-0.224399
-19	135	-0.0411176
-18	135	0.123418
-17	135	0.264321
-16	135	0.383597
-15	135	0.500812
-14	135	0.60406
-13	135	0.689299
-12	135	0.764319
-11	135	0.821636
-10	135	0.867898
-9	135	0.896927
-8	135	0.921548
-7	135	0.933351
-6	135	0.939247
-5	135	0.941098
-4	135	0.92048
-3	135	0.925828
-2	135	0.904885
-1	135	0.883546
0	135	0.828166
1	135	0.786503
2	135	0.728147
3	135	0.651069
4	135	0.564749
5	135	0.486986
6	135	0.38326
7	135	0.273007
8	135	0.148552
9	135	0.0412698
10	135	-0.0710667
11	135	-0.246177
12	135	-0.38503
13	135	-0.531406
14	135	-0.668834
15	135	-0.814853
16	135	-0.942586
17	135	-1.04929
18	135	-1.13293
19	135	-1.18756
20	135	-1.20803
21	135	-1.19657
22	135	-1.14314
23	135	-1.0611
24	135	-0.939463
25	135	-0.801777
26	135	-0.644921
27	135	-0.480865
28	135	-0.329158
29	135	-0.181561
30	135	-0.0517418
31	135	0.0597892
32	135	0.159013
33	135	0.181294
34	135	0.167502
35	135	0.101158
36	135	-0.0304648
37	135	-0.22414
38	135	-0.491732
39	135	-0.84016
40	135	-1.26625
41	135	-1.76202
42	135	-2.32164
43	135	-2.94779
44	135	-3.58841
45	135	-4.19452
46	135	-4.67575
47	135	-4.98122
48	135	-5.04522
49	135	-4.88733
50	135	-4.46152
51	135	-3.85373
52	135	-3.25233
53	135	-2.71504
54	135	-2.20839
55	135	-1.8494
56	135	-1.56156
57	135	-1.4572
58	135	-1.46151
59	135	-1.65185
60	135	-2.00997
61	135	-2.54295
62	135	-3.26586
63	135	-4.19524
64	135	-5.35043
65	135	-6.69842
66	135	-8.09574
67	135	-9.26284
68	135	-9.77319

69	135	-9.30839
70	135	-8.16044
71	135	-6.91581
72	135	-5.76518
73	135	-4.90462
74	135	-4.21646
75	135	-3.69632
76	135	-3.43846
77	135	-3.47945
78	135	-3.7776
79	135	-4.32344
80	135	-5.16238
81	135	-6.34235
82	135	-7.98535
83	135	-10.1871
84	135	-13.0027
85	135	-15.946
86	135	-15.9976
87	135	-13.1488
88	135	-10.4029
89	135	-8.30299
90	135	-6.75727
91	135	-5.58637
92	135	-4.80034
93	135	-4.32814
94	135	-4.14542
95	135	-4.25355
96	135	-4.59289
97	135	-5.21101
98	135	-6.15818
99	135	-7.63065
100	135	-9.60431
101	135	-12.3632
102	135	-16.0618
103	135	-17.7312
104	135	-13.424
105	135	-10.5712
106	135	-8.692
107	135	-7.03371
108	135	-5.79977
109	135	-4.92279
110	135	-4.37498
111	135	-3.99527
112	135	-3.83771
113	135	-3.86674
114	135	-4.08789
115	135	-4.52345
116	135	-5.12012
117	135	-5.85675
118	135	-6.72923
119	135	-7.63962
120	135	-8.39214
121	135	-8.74465
122	135	-8.5273
123	135	-7.83412
124	135	-6.84454
125	135	-5.76311
126	135	-4.77266
127	135	-3.88124
128	135	-3.13656
129	135	-2.53023
130	135	-2.04889
131	135	-1.72662
132	135	-1.40302
133	135	-1.25675
134	135	-1.19141
135	135	-1.22007
136	135	-1.3426
137	135	-1.53692
138	135	-1.77874
139	135	-2.06382
140	135	-2.38814
141	135	-2.73718
142	135	-3.08158
143	135	-3.39812
144	135	-3.65491
145	135	-3.84567
146	135	-3.94154
147	135	-3.93327
148	135	-3.83112
149	135	-3.64281
150	135	-3.38696
151	135	-3.08379
152	135	-2.76108
153	135	-2.42043
154	135	-2.08136
155	135	-1.75192
156	135	-1.43556
157	135	-1.14209
158	135	-0.86588
159	135	-0.609426
160	135	-0.382519
161	135	-0.180277
162	135	0.000418715
163	135	0.167916
164	135	0.30899
165	135	0.439407

166	135	0.558523
167	135	0.65509
168	135	0.741426
169	135	0.809092
170	135	0.865671
171	135	0.900767
172	135	0.925931
173	135	0.940572
174	135	0.958087
175	135	0.975054
176	135	0.97481
177	135	0.92978
178	135	0.960135
179	135	0.925861
180	135	0.876529
-180	136	0.30557
-179	136	0.268101
-178	136	0.189908
-177	136	0.101771
-176	136	0.0233431
-175	136	-0.069171
-174	136	-0.16572
-173	136	-0.262053
-172	136	-0.382041
-171	136	-0.495438
-170	136	-0.592436
-169	136	-0.708732
-168	136	-0.815195
-167	136	-0.914047
-166	136	-1.00127
-165	136	-1.07523
-164	136	-1.12947
-163	136	-1.15566
-162	136	-1.15407
-161	136	-1.12369
-160	136	-1.0627
-159	136	-0.977231
-158	136	-0.866273
-157	136	-0.729879
-156	136	-0.56994
-155	136	-0.421961
-154	136	-0.261169
-153	136	-0.106405
-152	136	0.025785
-151	136	0.148781
-150	136	0.240764
-149	136	0.290788
-148	136	0.297768
-147	136	0.257982
-146	136	0.165339
-145	136	0.0115949
-144	136	-0.203344
-143	136	-0.484552
-142	136	-0.838196
-141	136	-1.25982
-140	136	-1.74625
-139	136	-2.29298
-138	136	-2.89175
-137	136	-3.48817
-136	136	-4.00762
-135	136	-4.42095
-134	136	-4.67096
-133	136	-4.64643
-132	136	-4.37186
-131	136	-3.94865
-130	136	-3.41749
-129	136	-2.86071
-128	136	-2.33382
-127	136	-1.879
-126	136	-1.51208
-125	136	-1.25691
-124	136	-1.10538
-123	136	-1.11045
-122	136	-1.22293
-121	136	-1.52138
-120	136	-1.98848
-119	136	-2.58094
-118	136	-3.4018
-117	136	-4.32591
-116	136	-5.71608
-115	136	-7.10327
-114	136	-8.4344
-113	136	-9.22921
-112	136	-9.09104
-111	136	-8.13356
-110	136	-6.93268
-109	136	-5.57279
-108	136	-4.62971
-107	136	-3.86287
-106	136	-3.30255
-105	136	-2.986
-104	136	-2.878
-103	136	-3.04888
-102	136	-3.461
-101	136	-4.17337
-100	136	-5.23026
-99	136	-6.69131

-98	136	-8.7208
-97	136	-11.435
-96	136	-14.8909
-95	136	-16.8215
-94	136	-14.2099
-93	136	-11.0121
-92	136	-8.66843
-91	136	-7.42585
-90	136	-6.00711
-89	136	-4.95123
-88	136	-4.32947
-87	136	-3.93848
-86	136	-3.93666
-85	136	-4.06535
-84	136	-4.45573
-83	136	-5.12474
-82	136	-6.11674
-81	136	-7.50287
-80	136	-9.40744
-79	136	-11.9835
-78	136	-15.1784
-77	136	-17.0477
-76	136	-14.1784
-75	136	-10.8414
-74	136	-8.55462
-73	136	-6.92279
-72	136	-5.67903
-71	136	-4.7712
-70	136	-4.13764
-69	136	-3.72606
-68	136	-3.52457
-67	136	-3.52143
-66	136	-3.70373
-65	136	-4.06904
-64	136	-4.60497
-63	136	-5.30505
-62	136	-6.14611
-61	136	-7.08499
-60	136	-7.96812
-59	136	-8.40899
-58	136	-8.40976
-57	136	-7.90075
-56	136	-7.00691
-55	136	-5.96551
-54	136	-4.97693
-53	136	-4.08422
-52	136	-3.31566
-51	136	-2.67582
-50	136	-2.16378
-49	136	-1.76807
-48	136	-1.47196
-47	136	-1.28191
-46	136	-1.1933
-45	136	-1.1851
-44	136	-1.25462
-43	136	-1.39973
-42	136	-1.61066
-41	136	-1.87209
-40	136	-2.17932
-39	136	-2.51555
-38	136	-2.87132
-37	136	-3.2129
-36	136	-3.52816
-35	136	-3.80298
-34	136	-3.98607
-33	136	-4.06117
-32	136	-4.05859
-31	136	-3.98349
-30	136	-3.82854
-29	136	-3.61201
-28	136	-3.32564
-27	136	-2.9943
-26	136	-2.67417
-25	136	-2.39584
-24	136	-2.08708
-23	136	-1.80018
-22	136	-1.53438
-21	136	-1.33919
-20	136	-1.06013
-19	136	-0.893117
-18	136	-0.644867
-17	136	-0.475674
-16	136	-0.326644
-15	136	-0.186822
-14	136	-0.0624385
-13	136	0.043403
-12	136	0.125489
-11	136	0.191762
-10	136	0.244798
-9	136	0.282598
-8	136	0.32763
-7	136	0.363237
-6	136	0.383204
-5	136	0.390937
-4	136	0.366856
-3	136	0.336439
-2	136	0.330369

-1	136	0.283646
0	136	0.231588
1	136	0.194469
2	136	0.119635
3	136	0.0509968
4	136	-0.032443
5	136	-0.127319
6	136	-0.231032
7	136	-0.33972
8	136	-0.457125
9	136	-0.553294
10	136	-0.700648
11	136	-0.835646
12	136	-0.954092
13	136	-1.07239
14	136	-1.17862
15	136	-1.27287
16	136	-1.3438
17	136	-1.38793
18	136	-1.40323
19	136	-1.38538
20	136	-1.33337
21	136	-1.24918
22	136	-1.13704
23	136	-0.998558
24	136	-0.83625
25	136	-0.678079
26	136	-0.503428
27	136	-0.346949
28	136	-0.196665
29	136	-0.0721895
30	136	0.0253685
31	136	0.0856572
32	136	0.144772
33	136	0.0942269
34	136	0.0306745
35	136	-0.0918158
36	136	-0.281998
37	136	-0.542816
38	136	-0.874912
39	136	-1.28156
40	136	-1.76431
41	136	-2.31962
42	136	-2.92737
43	136	-3.56717
44	136	-4.18922
45	136	-4.73582
46	136	-5.11408
47	136	-5.23311
48	136	-5.12014
49	136	-4.74125
50	136	-4.22974
51	136	-3.61004
52	136	-2.9944
53	136	-2.50627
54	136	-2.05174
55	136	-1.70668
56	136	-1.52168
57	136	-1.43441
58	136	-1.53562
59	136	-1.78842
60	136	-2.20255
61	136	-2.79536
62	136	-3.57466
63	136	-4.57228
64	136	-5.78282
65	136	-7.14505
66	136	-8.54899
67	136	-9.6665
68	136	-9.97502
69	136	-9.28728
70	136	-8.07357
71	136	-6.82175
72	136	-5.77507
73	136	-4.8866
74	136	-4.21904
75	136	-3.74395
76	136	-3.5097
77	136	-3.57893
78	136	-3.87997
79	136	-4.44019
80	136	-5.28477
81	136	-6.47691
82	136	-8.09967
83	136	-10.3226
84	136	-13.1965
85	136	-16.129
86	136	-16.2403
87	136	-13.364
88	136	-10.5784
89	136	-8.45208
90	136	-6.8769
91	136	-5.64842
92	136	-4.83377
93	136	-4.3328
94	136	-4.10433
95	136	-4.13878

96	136	-4.46039
97	136	-4.92101
98	136	-5.79574
99	136	-7.02752
100	136	-8.81655
101	136	-11.2205
102	136	-14.4907
103	136	-17.9221
104	136	-16.4286
105	136	-12.3788
106	136	-9.71644
107	136	-8.07751
108	136	-6.6064
109	136	-5.52425
110	136	-4.85572
111	136	-4.3576
112	136	-4.05125
113	136	-3.93976
114	136	-4.0341
115	136	-4.30463
116	136	-4.75597
117	136	-5.38012
118	136	-6.15264
119	136	-7.02179
120	136	-7.88521
121	136	-8.55579
122	136	-8.80805
123	136	-8.44803
124	136	-7.754
125	136	-6.73635
126	136	-5.69573
127	136	-4.73544
128	136	-3.88399
129	136	-3.1436
130	136	-2.5636
131	136	-2.10239
132	136	-1.82926
133	136	-1.46328
134	136	-1.31079
135	136	-1.24003
136	136	-1.25251
137	136	-1.34544
138	136	-1.50664
139	136	-1.72093
140	136	-1.98306
141	136	-2.2851
142	136	-2.60757
143	136	-2.93902
144	136	-3.24352
145	136	-3.54181
146	136	-3.78393
147	136	-3.93643
148	136	-4.00245
149	136	-3.98297
150	136	-3.87315
151	136	-3.69561
152	136	-3.4644
153	136	-3.18878
154	136	-2.89786
155	136	-2.59596
156	136	-2.2955
157	136	-2.00953
158	136	-1.72657
159	136	-1.46146
160	136	-1.22008
161	136	-0.995572
162	136	-0.78007
163	136	-0.592822
164	136	-0.422196
165	136	-0.26249
166	136	-0.122187
167	136	-0.00110629
168	136	0.0952104
169	136	0.173087
170	136	0.233126
171	136	0.273031
172	136	0.318186
173	136	0.357679
174	136	0.388617
175	136	0.408818
176	136	0.406739
177	136	0.412899
178	136	0.385885
179	136	0.353969
180	136	0.30557
-180	137	-0.347174
-179	137	-0.392089
-178	137	-0.465859
-177	137	-0.524031
-176	137	-0.596348
-175	137	-0.671778
-174	137	-0.739157
-173	137	-0.839023
-172	137	-0.935132
-171	137	-1.02989
-170	137	-1.10385
-169	137	-1.1812

-168	137	-1.24608
-167	137	-1.29619
-166	137	-1.32753
-165	137	-1.34271
-164	137	-1.32759
-163	137	-1.28659
-162	137	-1.21867
-161	137	-1.1279
-160	137	-1.00918
-159	137	-0.875793
-158	137	-0.728091
-157	137	-0.568485
-156	137	-0.399801
-155	137	-0.250316
-154	137	-0.10041
-153	137	0.0178417
-152	137	0.134212
-151	137	0.206642
-150	137	0.248383
-149	137	0.24882
-148	137	0.202812
-147	137	0.105405
-146	137	-0.053109
-145	137	-0.270877
-144	137	-0.554133
-143	137	-0.906332
-142	137	-1.33023
-141	137	-1.81279
-140	137	-2.35999
-139	137	-2.94699
-138	137	-3.54595
-137	137	-4.1121
-136	137	-4.57071
-135	137	-4.85226
-134	137	-4.9123
-133	137	-4.74341
-132	137	-4.32745
-131	137	-3.79546
-130	137	-3.22484
-129	137	-2.66327
-128	137	-2.15295
-127	137	-1.72223
-126	137	-1.39475
-125	137	-1.16843
-124	137	-1.09754
-123	137	-1.13472
-122	137	-1.33823
-121	137	-1.62516
-120	137	-2.14482
-119	137	-2.82473
-118	137	-3.73668
-117	137	-4.82219
-116	137	-6.11241
-115	137	-7.49008
-114	137	-8.68773
-113	137	-9.25651
-112	137	-8.89404
-111	137	-7.88537
-110	137	-6.68511
-109	137	-5.44266
-108	137	-4.6098
-107	137	-3.87113
-106	137	-3.32016
-105	137	-2.99455
-104	137	-2.9967
-103	137	-3.20376
-102	137	-3.62441
-101	137	-4.37592
-100	137	-5.48351
-99	137	-7.01031
-98	137	-9.07008
-97	137	-11.9207
-96	137	-15.3834
-95	137	-17.1112
-94	137	-14.1391
-93	137	-10.9394
-92	137	-9.47471
-91	137	-7.50124
-90	137	-6.05606
-89	137	-4.93606
-88	137	-4.2986
-87	137	-3.9121
-86	137	-3.96808
-85	137	-4.01908
-84	137	-4.37284
-83	137	-4.96222
-82	137	-5.82118
-81	137	-7.06994
-80	137	-8.78059
-79	137	-11.0859
-78	137	-14.0819
-77	137	-16.9143
-76	137	-15.9526
-75	137	-13.4226
-74	137	-10.0493
-73	137	-8.12336
-72	137	-6.6568

-71	137	-5.53097
-70	137	-4.71504
-69	137	-4.14337
-68	137	-3.79278
-67	137	-3.64838
-66	137	-3.69168
-65	137	-3.91754
-64	137	-4.32074
-63	137	-4.89164
-62	137	-5.59546
-61	137	-6.44451
-60	137	-7.33844
-59	137	-8.10673
-58	137	-8.47656
-57	137	-8.39137
-56	137	-7.84184
-55	137	-6.95642
-54	137	-5.97139
-53	137	-4.98121
-52	137	-4.12174
-51	137	-3.37321
-50	137	-2.74931
-49	137	-2.24301
-48	137	-1.84536
-47	137	-1.54594
-46	137	-1.33773
-45	137	-1.22228
-44	137	-1.18985
-43	137	-1.22779
-42	137	-1.338
-41	137	-1.50798
-40	137	-1.72543
-39	137	-1.99743
-38	137	-2.29532
-37	137	-2.61553
-36	137	-2.945
-35	137	-3.25045
-34	137	-3.54309
-33	137	-3.78142
-32	137	-3.9156
-31	137	-4.00391
-30	137	-4.04401
-29	137	-4.02502
-28	137	-3.88397
-27	137	-3.68993
-26	137	-3.47632
-25	137	-3.23102
-24	137	-2.95767
-23	137	-2.69609
-22	137	-2.42261
-21	137	-2.16646
-20	137	-1.9364
-19	137	-1.7209
-18	137	-1.50867
-17	137	-1.32909
-16	137	-1.16102
-15	137	-1.01355
-14	137	-0.872044
-13	137	-0.735929
-12	137	-0.617142
-11	137	-0.518158
-10	137	-0.451657
-9	137	-0.406813
-8	137	-0.358306
-7	137	-0.325344
-6	137	-0.305368
-5	137	-0.299401
-4	137	-0.300565
-3	137	-0.311273
-2	137	-0.350861
-1	137	-0.38399
0	137	-0.440587
1	137	-0.490036
2	137	-0.545145
3	137	-0.619316
4	137	-0.704146
5	137	-0.79973
6	137	-0.887708
7	137	-0.9864
8	137	-1.05059
9	137	-1.18785
10	137	-1.29282
11	137	-1.37111
12	137	-1.45449
13	137	-1.52127
14	137	-1.56861
15	137	-1.59898
16	137	-1.59847
17	137	-1.57094
18	137	-1.51132
19	137	-1.42315
20	137	-1.30822
21	137	-1.16837
22	137	-1.01677
23	137	-0.850512
24	137	-0.680149
25	137	-0.508651

26	137	-0.350049
27	137	-0.210407
28	137	-0.0886588
29	137	-0.00599373
30	137	0.0479784
31	137	0.0655781
32	137	0.0564163
33	137	-0.0359429
34	137	-0.166439
35	137	-0.357891
36	137	-0.616751
37	137	-0.9438
38	137	-1.34638
39	137	-1.81941
40	137	-2.36269
41	137	-2.97741
42	137	-3.60468
43	137	-4.24241
44	137	-4.81458
45	137	-5.23663
46	137	-5.43799
47	137	-5.41887
48	137	-5.0809
49	137	-4.60287
50	137	-3.97069
51	137	-3.32145
52	137	-2.75072
53	137	-2.22381
54	137	-1.86784
55	137	-1.57686
56	137	-1.43246
57	137	-1.47642
58	137	-1.69041
59	137	-1.95586
60	137	-2.41662
61	137	-3.06366
62	137	-3.91439
63	137	-4.97155
64	137	-6.20962
65	137	-7.58292
66	137	-9.02069
67	137	-9.97831
68	137	-10.0588
69	137	-9.20198
70	137	-7.95277
71	137	-6.71436
72	137	-5.70356
73	137	-4.83712
74	137	-4.15835
75	137	-3.7247
76	137	-3.58652
77	137	-3.68109
78	137	-4.00219
79	137	-4.56768
80	137	-5.41751
81	137	-6.62138
82	137	-8.24761
83	137	-10.4512
84	137	-13.3591
85	137	-16.4566
86	137	-16.6137
87	137	-13.6822
88	137	-10.8062
89	137	-8.63441
90	137	-7.0249
91	137	-5.74102
92	137	-4.89315
93	137	-4.35726
94	137	-4.09587
95	137	-4.0803
96	137	-4.31686
97	137	-4.67916
98	137	-5.45748
99	137	-6.58332
100	137	-8.0918
101	137	-10.2659
102	137	-13.1373
103	137	-16.7962
104	137	-18.0689
105	137	-15.4193
106	137	-11.4686
107	137	-9.52332
108	137	-7.74423
109	137	-6.38794
110	137	-5.42979
111	137	-4.81168
112	137	-4.35069
113	137	-4.11126
114	137	-4.06366
115	137	-4.20059
116	137	-4.5038
117	137	-4.98704
118	137	-5.6189
119	137	-6.37274
120	137	-7.19259
121	137	-7.95191
122	137	-8.48047

123	137	-8.50349
124	137	-8.28247
125	137	-7.57062
126	137	-6.64064
127	137	-5.6603
128	137	-4.74202
129	137	-3.91696
130	137	-3.1793
131	137	-2.59509
132	137	-2.16572
133	137	-1.82446
134	137	-1.48737
135	137	-1.3164
136	137	-1.22387
137	137	-1.20341
138	137	-1.25246
139	137	-1.35984
140	137	-1.52642
141	137	-1.74909
142	137	-2.01984
143	137	-2.32759
144	137	-2.63893
145	137	-2.95005
146	137	-3.23445
147	137	-3.48007
148	137	-3.6787
149	137	-3.83791
150	137	-3.93365
151	137	-3.94901
152	137	-3.87328
153	137	-3.74171
154	137	-3.55928
155	137	-3.3342
156	137	-3.08195
157	137	-2.83151
158	137	-2.56009
159	137	-2.29853
160	137	-2.0556
161	137	-1.82678
162	137	-1.60821
163	137	-1.41819
164	137	-1.23872
165	137	-1.0785
166	137	-0.925969
167	137	-0.788599
168	137	-0.679761
169	137	-0.588493
170	137	-0.515542
171	137	-0.451979
172	137	-0.381115
173	137	-0.327172
174	137	-0.286461
175	137	-0.287788
176	137	-0.271539
177	137	-0.274664
178	137	-0.286833
179	137	-0.306762
180	137	-0.347174
-180	138	-1.05575
-179	138	-1.08434
-178	138	-1.11967
-177	138	-1.16552
-176	138	-1.21375
-175	138	-1.26142
-174	138	-1.31981
-173	138	-1.36737
-172	138	-1.41597
-171	138	-1.46083
-170	138	-1.48902
-169	138	-1.50884
-168	138	-1.51768
-167	138	-1.50302
-166	138	-1.46738
-165	138	-1.42027
-164	138	-1.34796
-163	138	-1.25508
-162	138	-1.142
-161	138	-1.0095
-160	138	-0.867188
-159	138	-0.710555
-158	138	-0.546041
-157	138	-0.407314
-156	138	-0.24604
-155	138	-0.106401
-154	138	-0.000198028
-153	138	0.099756
-152	138	0.162267
-151	138	0.191865
-150	138	0.182265
-149	138	0.126384
-148	138	0.0270759
-147	138	-0.128948
-146	138	-0.340201
-145	138	-0.611234
-144	138	-0.954835
-143	138	-1.36799
-142	138	-1.84326

-141	138	-2.37623
-140	138	-2.95526
-139	138	-3.56454
-138	138	-4.12344
-137	138	-4.62312
-136	138	-4.95013
-135	138	-5.05993
-134	138	-4.95238
-133	138	-4.58621
-132	138	-4.06626
-131	138	-3.47373
-130	138	-2.88669
-129	138	-2.35783
-128	138	-1.92981
-127	138	-1.54859
-126	138	-1.30214
-125	138	-1.13572
-124	138	-1.12909
-123	138	-1.24993
-122	138	-1.44049
-121	138	-1.83481
-120	138	-2.42312
-119	138	-3.18737
-118	138	-4.14311
-117	138	-5.2862
-116	138	-6.58694
-115	138	-7.93954
-114	138	-9.04437
-113	138	-9.43605
-112	138	-8.92141
-111	138	-7.80656
-110	138	-6.56869
-109	138	-5.32753
-108	138	-4.44251
-107	138	-3.75496
-106	138	-3.31445
-105	138	-3.03906
-104	138	-3.0371
-103	138	-3.00256
-102	138	-3.76033
-101	138	-4.51678
-100	138	-5.62583
-99	138	-7.16487
-98	138	-9.24051
-97	138	-12.0875
-96	138	-15.674
-95	138	-17.3634
-94	138	-14.4207
-93	138	-11.1029
-92	138	-9.70886
-91	138	-7.69143
-90	138	-6.19869
-89	138	-5.26195
-88	138	-4.3987
-87	138	-3.97114
-86	138	-3.93431
-85	138	-3.94241
-84	138	-4.20215
-83	138	-4.72759
-82	138	-5.52221
-81	138	-6.65577
-80	138	-8.21094
-79	138	-10.3044
-78	138	-13.0469
-77	138	-16.2177
-76	138	-17.1788
-75	138	-15.511
-74	138	-12.1097
-73	138	-9.79918
-72	138	-7.97113
-71	138	-6.54301
-70	138	-5.45841
-69	138	-4.68767
-68	138	-4.16394
-67	138	-3.86571
-66	138	-3.76651
-65	138	-3.85132
-64	138	-4.11105
-63	138	-4.544
-62	138	-5.14532
-61	138	-5.84139
-60	138	-6.67237
-59	138	-7.54016
-58	138	-8.26707
-57	138	-8.6591
-56	138	-8.43201
-55	138	-7.86336
-54	138	-6.98116
-53	138	-6.01991
-52	138	-5.05596
-51	138	-4.21255
-50	138	-3.47707
-49	138	-2.85816
-48	138	-2.3513
-47	138	-1.94671
-46	138	-1.6321
-45	138	-1.4115

-44	138	-1.27408
-43	138	-1.21289
-42	138	-1.22313
-41	138	-1.29451
-40	138	-1.43025
-39	138	-1.60642
-38	138	-1.83092
-37	138	-2.09458
-36	138	-2.36291
-35	138	-2.66133
-34	138	-2.95276
-33	138	-3.25992
-32	138	-3.50765
-31	138	-3.69943
-30	138	-3.85105
-29	138	-3.95399
-28	138	-3.98699
-27	138	-3.97483
-26	138	-3.89344
-25	138	-3.74982
-24	138	-3.58375
-23	138	-3.38823
-22	138	-3.23092
-21	138	-2.98119
-20	138	-2.78117
-19	138	-2.58954
-18	138	-2.39422
-17	138	-2.18731
-16	138	-2.00398
-15	138	-1.8435
-14	138	-1.68044
-13	138	-1.5575
-12	138	-1.44132
-11	138	-1.3411
-10	138	-1.26411
-9	138	-1.1952
-8	138	-1.14384
-7	138	-1.10594
-6	138	-1.07792
-5	138	-1.06323
-4	138	-1.05691
-3	138	-1.07546
-2	138	-1.08861
-1	138	-1.11643
0	138	-1.16128
1	138	-1.18889
2	138	-1.24385
3	138	-1.29846
4	138	-1.35982
5	138	-1.42867
6	138	-1.50841
7	138	-1.54948
8	138	-1.63521
9	138	-1.71321
10	138	-1.76491
11	138	-1.78923
12	138	-1.81207
13	138	-1.80518
14	138	-1.77496
15	138	-1.73331
16	138	-1.6605
17	138	-1.55511
18	138	-1.44584
19	138	-1.30182
20	138	-1.14662
21	138	-0.979803
22	138	-0.800166
23	138	-0.647147
24	138	-0.484626
25	138	-0.334549
26	138	-0.201695
27	138	-0.100137
28	138	-0.0243982
29	138	0.015177
30	138	0.0151524
31	138	-0.0283076
32	138	-0.115771
33	138	-0.247407
34	138	-0.438985
35	138	-0.69232
36	138	-1.02281
37	138	-1.42586
38	138	-1.89857
39	138	-2.44018
40	138	-3.04575
41	138	-3.68802
42	138	-4.33304
43	138	-4.93524
44	138	-5.39078
45	138	-5.69184
46	138	-5.6731
47	138	-5.45931
48	138	-4.96712
49	138	-4.32994
50	138	-3.65942
51	138	-3.05268
52	138	-2.4875

53	138	-2.05815
54	138	-1.70905
55	138	-1.54488
56	138	-1.46957
57	138	-1.54232
58	138	-1.77482
59	138	-2.1409
60	138	-2.67915
61	138	-3.4205
62	138	-4.37529
63	138	-5.39396
64	138	-6.67399
65	138	-8.11611
66	138	-9.46988
67	138	-10.2627
68	138	-10.0443
69	138	-9.24039
70	138	-7.77812
71	138	-6.6496
72	138	-5.59091
73	138	-4.71606
74	138	-4.16255
75	138	-3.76389
76	138	-3.65409
77	138	-3.78083
78	138	-4.12087
79	138	-4.70102
80	138	-5.5555
81	138	-6.76564
82	138	-8.40086
83	138	-10.6225
84	138	-13.5653
85	138	-16.8354
86	138	-17.13
87	138	-14.0808
88	138	-11.1004
89	138	-8.87341
90	138	-7.22689
91	138	-5.88404
92	138	-4.99818
93	138	-4.4255
94	138	-4.12634
95	138	-4.07402
96	138	-4.25684
97	138	-4.6098
98	138	-5.21494
99	138	-6.21647
100	138	-7.62488
101	138	-9.51914
102	138	-11.8692
103	138	-15.5797
104	138	-18.596
105	138	-18.0383
106	138	-13.7772
107	138	-11.4092
108	138	-9.23884
109	138	-7.54692
110	138	-6.27208
111	138	-5.43901
112	138	-4.7767
113	138	-4.35027
114	138	-4.13069
115	138	-4.09748
116	138	-4.24714
117	138	-4.58171
118	138	-5.07339
119	138	-5.7331
120	138	-6.50995
121	138	-7.3334
122	138	-8.0814
123	138	-8.593
124	138	-8.66393
125	138	-8.2801
126	138	-7.54458
127	138	-6.62277
128	138	-5.67467
129	138	-4.78928
130	138	-3.98711
131	138	-3.29719
132	138	-2.6981
133	138	-2.23218
134	138	-1.87028
135	138	-1.51655
136	138	-1.371
137	138	-1.26125
138	138	-1.22275
139	138	-1.24888
140	138	-1.32908
141	138	-1.46215
142	138	-1.64099
143	138	-1.84924
144	138	-2.09213
145	138	-2.35731
146	138	-2.63976
147	138	-2.92526
148	138	-3.20219
149	138	-3.44783

150	138	-3.64218
151	138	-3.77953
152	138	-3.85056
153	138	-3.87824
154	138	-3.85288
155	138	-3.77092
156	138	-3.65311
157	138	-3.49412
158	138	-3.30279
159	138	-3.10109
160	138	-2.88948
161	138	-2.6674
162	138	-2.46324
163	138	-2.25912
164	138	-2.06416
165	138	-1.88801
166	138	-1.71547
167	138	-1.59116
168	138	-1.48828
169	138	-1.39548
170	138	-1.30994
171	138	-1.22877
172	138	-1.16835
173	138	-1.10523
174	138	-1.05592
175	138	-1.02436
176	138	-1.00318
177	138	-0.99821
178	138	-1.00372
179	138	-1.01659
180	138	-1.05575
-180	139	-1.7105
-179	139	-1.70621
-178	139	-1.72526
-177	139	-1.73818
-176	139	-1.75003
-175	139	-1.77618
-174	139	-1.77699
-173	139	-1.78093
-172	139	-1.77699
-171	139	-1.76735
-170	139	-1.73743
-169	139	-1.684
-168	139	-1.62611
-167	139	-1.54825
-166	139	-1.44823
-165	139	-1.34439
-164	139	-1.21842
-163	139	-1.08423
-162	139	-0.937308
-161	139	-0.78425
-160	139	-0.642683
-159	139	-0.484713
-158	139	-0.336269
-157	139	-0.20715
-156	139	-0.0896199
-155	139	0.00260644
-154	139	0.0890404
-153	139	0.130648
-152	139	0.143017
-151	139	0.114405
-150	139	0.0446724
-149	139	-0.0731762
-148	139	-0.241638
-147	139	-0.462687
-146	139	-0.739344
-145	139	-1.08168
-144	139	-1.49327
-143	139	-1.96666
-142	139	-2.49581
-141	139	-3.07351
-140	139	-3.66844
-139	139	-4.26059
-138	139	-4.7629
-137	139	-5.11501
-136	139	-5.30684
-135	139	-5.2083
-134	139	-4.88
-133	139	-4.40026
-132	139	-3.81857
-131	139	-3.22649
-130	139	-2.67262
-129	139	-2.15887
-128	139	-1.76544
-127	139	-1.47
-126	139	-1.24567
-125	139	-1.17354
-124	139	-1.16052
-123	139	-1.35977
-122	139	-1.68446
-121	139	-2.1616
-120	139	-2.83534
-119	139	-3.66812
-118	139	-4.69184
-117	139	-5.89764
-116	139	-7.22574
-115	139	-8.50839

-114	139	-9.3794
-113	139	-9.44264
-112	139	-8.70388
-111	139	-7.54417
-110	139	-6.2022
-109	139	-5.17311
-108	139	-4.31105
-107	139	-3.62562
-106	139	-3.21003
-105	139	-3.03979
-104	139	-3.08304
-103	139	-3.33586
-102	139	-3.8625
-101	139	-4.61614
-100	139	-5.73966
-99	139	-7.29273
-98	139	-9.4253
-97	139	-12.3197
-96	139	-16.0054
-95	139	-17.6995
-94	139	-14.8168
-93	139	-12.8871
-92	139	-9.91013
-91	139	-7.85726
-90	139	-6.3739
-89	139	-5.3233
-88	139	-4.46571
-87	139	-3.94947
-86	139	-3.92871
-85	139	-3.937
-84	139	-4.12324
-83	139	-4.5758
-82	139	-5.28808
-81	139	-6.28276
-80	139	-7.65182
-79	139	-9.51373
-78	139	-11.9987
-77	139	-15.0859
-76	139	-17.3765
-75	139	-15.7318
-74	139	-13.7119
-73	139	-12.2485
-72	139	-9.89705
-71	139	-7.90421
-70	139	-6.42768
-69	139	-5.39526
-68	139	-4.66389
-67	139	-4.19033
-66	139	-3.93149
-65	139	-3.86958
-64	139	-3.9958
-63	139	-4.27671
-62	139	-4.72993
-61	139	-5.32575
-60	139	-6.05039
-59	139	-6.87302
-58	139	-7.71084
-57	139	-8.3916
-56	139	-8.77378
-55	139	-8.58237
-54	139	-7.92331
-53	139	-7.06146
-52	139	-6.12662
-51	139	-5.22569
-50	139	-4.36628
-49	139	-3.6382
-48	139	-3.02849
-47	139	-2.51387
-46	139	-2.10451
-45	139	-1.77561
-44	139	-1.52772
-43	139	-1.365
-42	139	-1.26825
-41	139	-1.25366
-40	139	-1.27788
-39	139	-1.36832
-38	139	-1.49136
-37	139	-1.6848
-36	139	-1.89417
-35	139	-2.13006
-34	139	-2.38013
-33	139	-2.63447
-32	139	-2.8901
-31	139	-3.12366
-30	139	-3.31322
-29	139	-3.49064
-28	139	-3.67111
-27	139	-3.80732
-26	139	-3.88446
-25	139	-3.89275
-24	139	-3.87461
-23	139	-3.75066
-22	139	-3.63189
-21	139	-3.51103
-20	139	-3.39169
-19	139	-3.24549
-18	139	-3.10174

-17	139	-2.94238
-16	139	-2.78791
-15	139	-2.64017
-14	139	-2.48509
-13	139	-2.36582
-12	139	-2.25994
-11	139	-2.1585
-10	139	-2.07285
-9	139	-1.99745
-8	139	-1.93886
-7	139	-1.89484
-6	139	-1.85762
-5	139	-1.8334
-4	139	-1.81277
-3	139	-1.81331
-2	139	-1.81326
-1	139	-1.82095
0	139	-1.84163
1	139	-1.84793
2	139	-1.8747
3	139	-1.90714
4	139	-1.94553
5	139	-1.97501
6	139	-1.96165
7	139	-2.00369
8	139	-2.06118
9	139	-2.07083
10	139	-2.03672
11	139	-1.98333
12	139	-1.93039
13	139	-1.86754
14	139	-1.76695
15	139	-1.66284
16	139	-1.53132
17	139	-1.39236
18	139	-1.23334
19	139	-1.07348
20	139	-0.905239
21	139	-0.726038
22	139	-0.561371
23	139	-0.413025
24	139	-0.288459
25	139	-0.176948
26	139	-0.0813998
27	139	-0.0279142
28	139	-0.00562351
29	139	-0.0238602
30	139	-0.0824785
31	139	-0.185086
32	139	-0.338794
33	139	-0.533789
34	139	-0.796125
35	139	-1.12661
36	139	-1.52985
37	139	-2.00014
38	139	-2.53372
39	139	-3.13301
40	139	-3.7806
41	139	-4.44439
42	139	-5.06788
43	139	-5.636
44	139	-5.95451
45	139	-5.96263
46	139	-5.79317
47	139	-5.29926
48	139	-4.68033
49	139	-4.01221
50	139	-3.3301
51	139	-2.76121
52	139	-2.26168
53	139	-1.88292
54	139	-1.6762
55	139	-1.54504
56	139	-1.54888
57	139	-1.68219
58	139	-1.96393
59	139	-2.41357
60	139	-3.01473
61	139	-3.7932
62	139	-4.74127
63	139	-5.87535
64	139	-7.25854
65	139	-8.79782
66	139	-10.0472
67	139	-10.4277
68	139	-9.94926
69	139	-8.82959
70	139	-7.63711
71	139	-6.46579
72	139	-5.47525
73	139	-4.66379
74	139	-4.08567
75	139	-3.79556
76	139	-3.72386
77	139	-3.86136
78	139	-4.22272
79	139	-4.82621

80	139	-5.70203
81	139	-6.91362
82	139	-8.56849
83	139	-10.7935
84	139	-13.7864
85	139	-17.2055
86	139	-17.7487
87	139	-14.5326
88	139	-11.4833
89	139	-9.18536
90	139	-7.48697
91	139	-6.07506
92	139	-5.1559
93	139	-4.5481
94	139	-4.1956
95	139	-4.10354
96	139	-4.24241
97	139	-4.61096
98	139	-5.0527
99	139	-5.97459
100	139	-7.19434
101	139	-8.84961
102	139	-11.1117
103	139	-14.1957
104	139	-17.7021
105	139	-18.1844
106	139	-15.8497
107	139	-13.9696
108	139	-11.4588
109	139	-9.02382
110	139	-7.2437
111	139	-6.12183
112	139	-5.25081
113	139	-4.66972
114	139	-4.33102
115	139	-4.19335
116	139	-4.23645
117	139	-4.44867
118	139	-4.81957
119	139	-5.31297
120	139	-5.95517
121	139	-6.69678
122	139	-7.41801
123	139	-8.17297
124	139	-8.63233
125	139	-8.69737
126	139	-8.32049
127	139	-7.60851
128	139	-6.73303
129	139	-5.7933
130	139	-4.93
131	139	-4.13257
132	139	-3.44048
133	139	-2.86064
134	139	-2.32833
135	139	-1.92905
136	139	-1.68264
137	139	-1.42305
138	139	-1.28677
139	139	-1.2228
140	139	-1.21762
141	139	-1.26887
142	139	-1.3787
143	139	-1.50363
144	139	-1.67584
145	139	-1.87852
146	139	-2.10437
147	139	-2.34562
148	139	-2.59951
149	139	-2.85362
150	139	-3.08525
151	139	-3.29339
152	139	-3.46947
153	139	-3.6031
154	139	-3.70135
155	139	-3.74949
156	139	-3.75201
157	139	-3.7158
158	139	-3.65067
159	139	-3.54859
160	139	-3.4027
161	139	-3.24717
162	139	-3.10409
163	139	-2.95154
164	139	-2.80614
165	139	-2.66409
166	139	-2.5177
167	139	-2.39429
168	139	-2.27284
169	139	-2.14588
170	139	-2.02705
171	139	-1.91121
172	139	-1.85767
173	139	-1.80354
174	139	-1.7716
175	139	-1.75001
176	139	-1.72467

177	139	-1.70807
178	139	-1.69496
179	139	-1.6955
180	139	-1.7105
-180	140	-2.18788
-179	140	-2.15576
-178	140	-2.12698
-177	140	-2.09207
-176	140	-2.07962
-175	140	-2.04435
-174	140	-2.00797
-173	140	-1.96119
-172	140	-1.90663
-171	140	-1.8344
-170	140	-1.74521
-169	140	-1.63811
-168	140	-1.53591
-167	140	-1.41191
-166	140	-1.26805
-165	140	-1.12423
-164	140	-0.967278
-163	140	-0.807531
-162	140	-0.6591
-161	140	-0.50908
-160	140	-0.372038
-159	140	-0.228321
-158	140	-0.109391
-157	140	0.00582404
-156	140	0.0567515
-155	140	0.114764
-154	140	0.135066
-153	140	0.129302
-152	140	0.0753642
-151	140	-0.00904135
-150	140	-0.144114
-149	140	-0.32745
-148	140	-0.560431
-147	140	-0.849205
-146	140	-1.20101
-145	140	-1.61154
-144	140	-2.08067
-143	140	-2.60199
-142	140	-3.17288
-141	140	-3.77166
-140	140	-4.35667
-139	140	-4.89528
-138	140	-5.28237
-137	140	-5.52276
-136	140	-5.48433
-135	140	-5.19921
-134	140	-4.72286
-133	140	-4.15671
-132	140	-3.55786
-131	140	-2.9764
-130	140	-2.42356
-129	140	-1.98764
-128	140	-1.60698
-127	140	-1.37991
-126	140	-1.23092
-125	140	-1.21622
-124	140	-1.33133
-123	140	-1.59291
-122	140	-1.98978
-121	140	-2.54695
-120	140	-3.26643
-119	140	-4.15949
-118	140	-5.23226
-117	140	-6.46514
-116	140	-7.77047
-115	140	-8.92049
-114	140	-9.52461
-113	140	-9.29561
-112	140	-8.39272
-111	140	-7.22567
-110	140	-5.93042
-109	140	-4.96041
-108	140	-4.11598
-107	140	-3.48895
-106	140	-3.14186
-105	140	-3.02368
-104	140	-3.05268
-103	140	-3.39037
-102	140	-3.90981
-101	140	-4.73289
-100	140	-5.88102
-99	140	-7.44018
-98	140	-9.58165
-97	140	-12.5241
-96	140	-16.3017
-95	140	-18.0138
-94	140	-14.8599
-93	140	-13.2932
-92	140	-10.2213
-91	140	-8.0587
-90	140	-6.55448
-89	140	-5.47977
-88	140	-4.73398

-87	140	-4.11226
-86	140	-4.03271
-85	140	-3.96253
-84	140	-4.10551
-83	140	-4.48266
-82	140	-5.1146
-81	140	-6.01891
-80	140	-7.27936
-79	140	-8.94712
-78	140	-11.1682
-77	140	-14.0931
-76	140	-17.1988
-75	140	-17.2562
-74	140	-15.5177
-73	140	-14.2816
-72	140	-13.0579
-71	140	-9.69677
-70	140	-7.5887
-69	140	-6.17305
-68	140	-5.22123
-67	140	-4.56788
-66	140	-4.16017
-65	140	-3.95229
-64	140	-3.93056
-63	140	-4.07732
-62	140	-4.39161
-61	140	-4.86251
-60	140	-5.45952
-59	140	-6.20785
-58	140	-6.99336
-57	140	-7.80796
-56	140	-8.48694
-55	140	-8.84407
-54	140	-8.67576
-53	140	-8.14133
-52	140	-7.28511
-51	140	-6.3423
-50	140	-5.45775
-49	140	-4.64515
-48	140	-3.88101
-47	140	-3.26563
-46	140	-2.73341
-45	140	-2.29756
-44	140	-1.95662
-43	140	-1.68147
-42	140	-1.47434
-41	140	-1.35021
-40	140	-1.28909
-39	140	-1.27543
-38	140	-1.31231
-37	140	-1.39182
-36	140	-1.51323
-35	140	-1.66388
-34	140	-1.83802
-33	140	-2.03844
-32	140	-2.2574
-31	140	-2.48176
-30	140	-2.70681
-29	140	-2.9242
-28	140	-3.1141
-27	140	-3.28567
-26	140	-3.44141
-25	140	-3.55335
-24	140	-3.63005
-23	140	-3.66009
-22	140	-3.65565
-21	140	-3.63381
-20	140	-3.60374
-19	140	-3.55458
-18	140	-3.49095
-17	140	-3.40096
-16	140	-3.29663
-15	140	-3.18567
-14	140	-3.07396
-13	140	-2.98128
-12	140	-2.88578
-11	140	-2.7989
-10	140	-2.71963
-9	140	-2.64983
-8	140	-2.59286
-7	140	-2.5506
-6	140	-2.50379
-5	140	-2.46263
-4	140	-2.4225
-3	140	-2.39188
-2	140	-2.38402
-1	140	-2.36535
0	140	-2.35422
1	140	-2.33008
2	140	-2.32564
3	140	-2.32021
4	140	-2.30498
5	140	-2.25602
6	140	-2.23711
7	140	-2.23077
8	140	-2.19012
9	140	-2.11882

10	140	-2.04355
11	140	-1.93543
12	140	-1.82705
13	140	-1.69553
14	140	-1.54986
15	140	-1.41041
16	140	-1.25443
17	140	-1.08897
18	140	-0.93356
19	140	-0.772014
20	140	-0.61417
21	140	-0.469424
22	140	-0.332238
23	140	-0.2143
24	140	-0.118603
25	140	-0.0572442
26	140	-0.0169349
27	140	-0.0136503
28	140	-0.0525668
29	140	-0.133042
30	140	-0.256664
31	140	-0.426213
32	140	-0.635168
33	140	-0.913217
34	140	-1.24273
35	140	-1.65231
36	140	-2.12113
37	140	-2.65059
38	140	-3.24163
39	140	-3.88584
40	140	-4.55518
41	140	-5.18054
42	140	-5.79037
43	140	-6.12596
44	140	-6.27525
45	140	-6.07648
46	140	-5.62339
47	140	-5.02024
48	140	-4.31802
49	140	-3.6597
50	140	-3.06157
51	140	-2.50672
52	140	-2.09535
53	140	-1.8231
54	140	-1.64847
55	140	-1.59626
56	140	-1.66808
57	140	-1.87502
58	140	-2.21829
59	140	-2.73188
60	140	-3.39043
61	140	-4.21096
62	140	-5.25349
63	140	-6.52758
64	140	-7.93081
65	140	-9.30662
66	140	-10.3387
67	140	-10.4902
68	140	-9.78398
69	140	-8.68772
70	140	-7.4064
71	140	-6.2539
72	140	-5.25806
73	140	-4.516
74	140	-4.06638
75	140	-3.81611
76	140	-3.77418
77	140	-3.92937
78	140	-4.30754
79	140	-4.92752
80	140	-5.82012
81	140	-7.03805
82	140	-8.68176
83	140	-10.9056
84	140	-13.9213
85	140	-17.5725
86	140	-18.5117
87	140	-15.1481
88	140	-11.9052
89	140	-9.54556
90	140	-7.79823
91	140	-6.29312
92	140	-5.32959
93	140	-4.68974
94	140	-4.33219
95	140	-4.18984
96	140	-4.25139
97	140	-4.55447
98	140	-5.05556
99	140	-5.74205
100	140	-6.84214
101	140	-8.31831
102	140	-10.3281
103	140	-13.0863
104	140	-16.6053
105	140	-18.7453
106	140	-17.6444

107	140	-16.0622
108	140	-15.2954
109	140	-11.1298
110	140	-8.64974
111	140	-6.9859
112	140	-5.97669
113	140	-5.19402
114	140	-4.66935
115	140	-4.35614
116	140	-4.23669
117	140	-4.28933
118	140	-4.50721
119	140	-4.88195
120	140	-5.3969
121	140	-6.014
122	140	-6.70794
123	140	-7.50382
124	140	-8.1812
125	140	-8.63044
126	140	-8.70807
127	140	-8.37712
128	140	-7.7186
129	140	-6.88721
130	140	-5.973
131	140	-5.16319
132	140	-4.36995
133	140	-3.67765
134	140	-3.08607
135	140	-2.59104
136	140	-2.11376
137	140	-1.83271
138	140	-1.57711
139	140	-1.36889
140	140	-1.25984
141	140	-1.2071
142	140	-1.20876
143	140	-1.26143
144	140	-1.35551
145	140	-1.48307
146	140	-1.63754
147	140	-1.81448
148	140	-2.0056
149	140	-2.21043
150	140	-2.42238
151	140	-2.63574
152	140	-2.83832
153	140	-3.03088
154	140	-3.20209
155	140	-3.33755
156	140	-3.43545
157	140	-3.49317
158	140	-3.51142
159	140	-3.49763
160	140	-3.4692
161	140	-3.42934
162	140	-3.38092
163	140	-3.32039
164	140	-3.23926
165	140	-3.12976
166	140	-3.00623
167	140	-2.89884
168	140	-2.78074
169	140	-2.6653
170	140	-2.60175
171	140	-2.52675
172	140	-2.46675
173	140	-2.42346
174	140	-2.37352
175	140	-2.32428
176	140	-2.27134
177	140	-2.2299
178	140	-2.20842
179	140	-2.20321
180	140	-2.18788
-180	141	-2.35007
-179	141	-2.26487
-178	141	-2.19816
-177	141	-2.16272
-176	141	-2.10922
-175	141	-2.04834
-174	141	-1.94781
-173	141	-1.84794
-172	141	-1.72992
-171	141	-1.60889
-170	141	-1.48393
-169	141	-1.35356
-168	141	-1.21378
-167	141	-1.08623
-166	141	-0.938375
-165	141	-0.796455
-164	141	-0.651259
-163	141	-0.50328
-162	141	-0.354686
-161	141	-0.238754
-160	141	-0.10805
-159	141	0.00138213
-158	141	0.086848

-157	141	0.137514
-156	141	0.175199
-155	141	0.165484
-154	141	0.127646
-153	141	0.0490633
-152	141	-0.0589492
-151	141	-0.20651
-150	141	-0.395643
-149	141	-0.635521
-148	141	-0.935736
-147	141	-1.3019
-146	141	-1.72418
-145	141	-2.24428
-144	141	-2.73271
-143	141	-3.30176
-142	141	-3.90215
-141	141	-4.48714
-140	141	-5.0201
-139	141	-5.45909
-138	141	-5.68695
-137	141	-5.67432
-136	141	-5.42865
-135	141	-4.9922
-134	141	-4.44279
-133	141	-3.85466
-132	141	-3.22865
-131	141	-2.68505
-130	141	-2.22555
-129	141	-1.82118
-128	141	-1.52722
-127	141	-1.34007
-126	141	-1.2809
-125	141	-1.36539
-124	141	-1.5591
-123	141	-1.89885
-122	141	-2.36214
-121	141	-2.97655
-120	141	-3.75032
-119	141	-4.69294
-118	141	-5.81216
-117	141	-7.06827
-116	141	-8.33363
-115	141	-9.32012
-114	141	-9.62697
-113	141	-9.11124
-112	141	-8.06407
-111	141	-6.74092
-110	141	-5.6613
-109	141	-4.68343
-108	141	-3.91113
-107	141	-3.43795
-106	141	-3.12553
-105	141	-2.99647
-104	141	-3.11121
-103	141	-3.4227
-102	141	-3.9784
-101	141	-4.82164
-100	141	-5.97175
-99	141	-7.55315
-98	141	-9.67656
-97	141	-12.595
-96	141	-16.4227
-95	141	-18.3839
-94	141	-15.1309
-93	141	-13.5492
-92	141	-10.6231
-91	141	-8.39486
-90	141	-6.81493
-89	141	-5.69342
-88	141	-4.89351
-87	141	-4.37795
-86	141	-4.0239
-85	141	-4.06485
-84	141	-4.17531
-83	141	-4.65538
-82	141	-5.01788
-81	141	-5.83581
-80	141	-6.94037
-79	141	-8.4219
-78	141	-10.4117
-77	141	-13.0489
-76	141	-16.2166
-75	141	-17.8574
-74	141	-15.5906
-73	141	-14.1795
-72	141	-12.7776
-71	141	-11.2076
-70	141	-8.70258
-69	141	-7.00858
-68	141	-5.85162
-67	141	-5.03405
-66	141	-4.46383
-65	141	-4.09461
-64	141	-3.92453
-63	141	-3.94613
-62	141	-4.12926
-61	141	-4.45857

-60	141	-4.93516
-59	141	-5.53704
-58	141	-6.28618
-57	141	-7.09987
-56	141	-7.86779
-55	141	-8.55624
-54	141	-8.98851
-53	141	-8.92708
-52	141	-8.3731
-51	141	-7.63022
-50	141	-6.65723
-49	141	-5.77601
-48	141	-4.96779
-47	141	-4.22057
-46	141	-3.54761
-45	141	-2.97876
-44	141	-2.53596
-43	141	-2.15323
-42	141	-1.84811
-41	141	-1.61172
-40	141	-1.43286
-39	141	-1.32044
-38	141	-1.26463
-37	141	-1.25431
-36	141	-1.28336
-35	141	-1.35391
-34	141	-1.45746
-33	141	-1.57554
-32	141	-1.71547
-31	141	-1.8902
-30	141	-2.09387
-29	141	-2.28729
-28	141	-2.55214
-27	141	-2.62107
-26	141	-2.78879
-25	141	-2.94154
-24	141	-3.07629
-23	141	-3.19115
-22	141	-3.2642
-21	141	-3.32173
-20	141	-3.37109
-19	141	-3.37092
-18	141	-3.42041
-17	141	-3.41308
-16	141	-3.38942
-15	141	-3.33768
-14	141	-3.2792
-13	141	-3.20789
-12	141	-3.17407
-11	141	-3.11684
-10	141	-3.05775
-9	141	-3.00354
-8	141	-2.95038
-7	141	-2.89689
-6	141	-2.84441
-5	141	-2.79374
-4	141	-2.74244
-3	141	-2.6933
-2	141	-2.65534
-1	141	-2.60809
0	141	-2.57025
1	141	-2.51575
2	141	-2.4739
3	141	-2.41452
4	141	-2.33731
5	141	-2.27432
6	141	-2.2061
7	141	-2.1346
8	141	-2.02225
9	141	-1.91006
10	141	-1.78118
11	141	-1.63666
12	141	-1.48757
13	141	-1.35363
14	141	-1.19513
15	141	-1.04118
16	141	-0.886747
17	141	-0.740344
18	141	-0.597968
19	141	-0.475835
20	141	-0.352461
21	141	-0.243129
22	141	-0.144742
23	141	-0.0733672
24	141	-0.0206989
25	141	-0.016607
26	141	-0.0463792
27	141	-0.102274
28	141	-0.202251
29	141	-0.350492
30	141	-0.542587
31	141	-0.779347
32	141	-1.07537
33	141	-1.41111
34	141	-1.81302
35	141	-2.27357
36	141	-2.81608

37	141	-3.40773
38	141	-4.04508
39	141	-4.69671
40	141	-5.38619
41	141	-5.93574
42	141	-6.36373
43	141	-6.47804
44	141	-6.29866
45	141	-5.87254
46	141	-5.27964
47	141	-4.57906
48	141	-3.92162
49	141	-3.27165
50	141	-2.7568
51	141	-2.34646
52	141	-2.02297
53	141	-1.79948
54	141	-1.67786
55	141	-1.70567
56	141	-1.8503
57	141	-2.13504
58	141	-2.53845
59	141	-3.09335
60	141	-3.81807
61	141	-4.74301
62	141	-5.87263
63	141	-7.2046
64	141	-8.64624
65	141	-9.90335
66	141	-10.6552
67	141	-10.4951
68	141	-9.52268
69	141	-8.38623
70	141	-7.12479
71	141	-5.94563
72	141	-5.07567
73	141	-4.47493
74	141	-4.02183
75	141	-3.81743
76	141	-3.80196
77	141	-3.98471
78	141	-4.37343
79	141	-5.00139
80	141	-5.89529
81	141	-7.12219
82	141	-8.75365
83	141	-10.9542
84	141	-13.9675
85	141	-17.8011
86	141	-19.2504
87	141	-15.7997
88	141	-12.4048
89	141	-9.9585
90	141	-8.18044
91	141	-6.59712
92	141	-5.57795
93	141	-4.87925
94	141	-4.44671
95	141	-4.2494
96	141	-4.27498
97	141	-4.513
98	141	-4.91405
99	141	-5.54334
100	141	-6.54193
101	141	-7.88302
102	141	-9.67939
103	141	-12.0772
104	141	-15.2512
105	141	-18.513
106	141	-17.8313
107	141	-16.4036
108	141	-15.2174
109	141	-13.3158
110	141	-10.1865
111	141	-8.1949
112	141	-6.62423
113	141	-5.63648
114	141	-4.94721
115	141	-4.50681
116	141	-4.26807
117	141	-4.2052
118	141	-4.30147
119	141	-4.54694
120	141	-4.93623
121	141	-5.44582
122	141	-6.09795
123	141	-6.77685
124	141	-7.52052
125	141	-8.19324
126	141	-8.66167
127	141	-8.78486
128	141	-8.51816
129	141	-7.92622
130	141	-7.1472
131	141	-6.30602
132	141	-5.42967
133	141	-4.66345

134	141	-3.95688
135	141	-3.35448
136	141	-2.82459
137	141	-2.41443
138	141	-2.02172
139	141	-1.74978
140	141	-1.53713
141	141	-1.31025
142	141	-1.24808
143	141	-1.19736
144	141	-1.1914
145	141	-1.22545
146	141	-1.2987
147	141	-1.40124
148	141	-1.52715
149	141	-1.66919
150	141	-1.83137
151	141	-1.99329
152	141	-2.15695
153	141	-2.32317
154	141	-2.48257
155	141	-2.63095
156	141	-2.77227
157	141	-2.90435
158	141	-3.00564
159	141	-3.08933
160	141	-3.15725
161	141	-3.1996
162	141	-3.21888
163	141	-3.21458
164	141	-3.19131
165	141	-3.14696
166	141	-3.08357
167	141	-3.02821
168	141	-3.01725
169	141	-2.97033
170	141	-2.89888
171	141	-2.83443
172	141	-2.77833
173	141	-2.72184
174	141	-2.66507
175	141	-2.60816
176	141	-2.54866
177	141	-2.49594
178	141	-2.45439
179	141	-2.40837
180	141	-2.35007
-180	142	-2.15694
-179	142	-2.06012
-178	142	-2.00651
-177	142	-1.91316
-176	142	-1.82455
-175	142	-1.70845
-174	142	-1.59678
-173	142	-1.48627
-172	142	-1.36488
-171	142	-1.2388
-170	142	-1.10305
-169	142	-0.966018
-168	142	-0.829733
-167	142	-0.696697
-166	142	-0.574599
-165	142	-0.45042
-164	142	-0.326373
-163	142	-0.208907
-162	142	-0.104823
-161	142	-0.0287196
-160	142	0.0510117
-159	142	0.107865
-158	142	0.139772
-157	142	0.151322
-156	142	0.130032
-155	142	0.0828962
-154	142	-0.00659968
-153	142	-0.13631
-152	142	-0.304621
-151	142	-0.515927
-150	142	-0.777798
-149	142	-1.09317
-148	142	-1.46403
-147	142	-1.8928
-146	142	-2.37792
-145	142	-2.91492
-144	142	-3.49621
-143	142	-4.0932
-142	142	-4.6725
-141	142	-5.19526
-140	142	-5.59819
-139	142	-5.81581
-138	142	-5.81514
-137	142	-5.57884
-136	142	-5.17201
-135	142	-4.60411
-134	142	-4.01455
-133	142	-3.44056
-132	142	-2.90967
-131	142	-2.40331

-130	142	-1.98413
-129	142	-1.66052
-128	142	-1.48352
-127	142	-1.34796
-126	142	-1.30028
-125	142	-1.61611
-124	142	-1.84456
-123	142	-2.22742
-122	142	-2.80038
-121	142	-3.46132
-120	142	-4.31856
-119	142	-5.34089
-118	142	-6.52281
-117	142	-7.77285
-116	142	-8.93135
-115	142	-9.63488
-114	142	-9.57079
-113	142	-8.79765
-112	142	-7.80257
-111	142	-6.57746
-110	142	-5.45639
-109	142	-4.51146
-108	142	-3.81321
-107	142	-3.35198
-106	142	-3.10053
-105	142	-3.03196
-104	142	-3.13459
-103	142	-3.44752
-102	142	-4.02729
-101	142	-4.88303
-100	142	-6.05436
-99	142	-7.6285
-98	142	-9.74569
-97	142	-12.6638
-96	142	-16.5705
-95	142	-19.4132
-94	142	-18.5671
-93	142	-13.9782
-92	142	-10.8544
-91	142	-8.74702
-90	142	-7.15323
-89	142	-5.91421
-88	142	-5.07923
-87	142	-4.5777
-86	142	-4.19398
-85	142	-4.22423
-84	142	-4.28465
-83	142	-4.48882
-82	142	-4.95626
-81	142	-5.66357
-80	142	-6.64562
-79	142	-7.95213
-78	142	-9.6931
-77	142	-11.9949
-76	142	-14.8833
-75	142	-17.4824
-74	142	-16.8785
-73	142	-13.8169
-72	142	-12.1743
-71	142	-10.7621
-70	142	-9.53745
-69	142	-7.72551
-68	142	-6.39761
-67	142	-5.4297
-66	142	-4.73559
-65	142	-4.26471
-64	142	-3.98874
-63	142	-3.89512
-62	142	-3.96483
-61	142	-4.1784
-60	142	-4.51117
-59	142	-4.98445
-58	142	-5.58846
-57	142	-6.3308
-56	142	-7.14187
-55	142	-7.95391
-54	142	-8.63169
-53	142	-9.12692
-52	142	-9.1466
-51	142	-8.79395
-50	142	-7.96599
-49	142	-7.11577
-48	142	-6.13408
-47	142	-5.31685
-46	142	-4.5599
-45	142	-3.8893
-44	142	-3.28425
-43	142	-2.79518
-42	142	-2.39071
-41	142	-2.05417
-40	142	-1.77534
-39	142	-1.55684
-38	142	-1.38568
-37	142	-1.28057
-36	142	-1.22967
-35	142	-1.21453
-34	142	-1.2251

-33	142	-1.2657
-32	142	-1.33746
-31	142	-1.43734
-30	142	-1.55374
-29	142	-1.68783
-28	142	-1.83063
-27	142	-1.97494
-26	142	-2.11335
-25	142	-2.25171
-24	142	-2.39267
-23	142	-2.51262
-22	142	-2.61697
-21	142	-2.71928
-20	142	-2.80798
-19	142	-2.87601
-18	142	-2.95255
-17	142	-2.99506
-16	142	-3.03675
-15	142	-3.04298
-14	142	-3.03322
-13	142	-3.02757
-12	142	-3.01062
-11	142	-2.9891
-10	142	-2.95992
-9	142	-2.92427
-8	142	-2.88652
-7	142	-2.84307
-6	142	-2.79496
-5	142	-2.74065
-4	142	-2.68518
-3	142	-2.62451
-2	142	-2.56293
-1	142	-2.49659
0	142	-2.42771
1	142	-2.34574
2	142	-2.27644
3	142	-2.18877
4	142	-2.09726
5	142	-2.00148
6	142	-1.90512
7	142	-1.78679
8	142	-1.65967
9	142	-1.52756
10	142	-1.38721
11	142	-1.24333
12	142	-1.10205
13	142	-0.958554
14	142	-0.819643
15	142	-0.685417
16	142	-0.556508
17	142	-0.436278
18	142	-0.327174
19	142	-0.22734
20	142	-0.149786
21	142	-0.0828233
22	142	-0.0442466
23	142	-0.034355
24	142	-0.0462634
25	142	-0.0983044
26	142	-0.181859
27	142	-0.303294
28	142	-0.470137
29	142	-0.679958
30	142	-0.936944
31	142	-1.24132
32	142	-1.62118
33	142	-2.0267
34	142	-2.48673
35	142	-3.02755
36	142	-3.60283
37	142	-4.2574
38	142	-4.94273
39	142	-5.56105
40	142	-6.13914
41	142	-6.51537
42	142	-6.64382
43	142	-6.49312
44	142	-6.0682
45	142	-5.45723
46	142	-4.79837
47	142	-4.08701
48	142	-3.47791
49	142	-2.94977
50	142	-2.51683
51	142	-2.17142
52	142	-1.93694
53	142	-1.79712
54	142	-1.76645
55	142	-1.87707
56	142	-2.0775
57	142	-2.41809
58	142	-2.89713
59	142	-3.5317
60	142	-4.3502
61	142	-5.37054
62	142	-6.58168
63	142	-7.95072

64	142	-9.3271
65	142	-10.4728
66	142	-10.8821
67	142	-10.3545
68	142	-9.335
69	142	-8.03006
70	142	-6.84385
71	142	-5.75664
72	142	-4.89626
73	142	-4.34421
74	142	-3.96649
75	142	-3.8008
76	142	-3.88096
77	142	-4.03129
78	142	-4.43405
79	142	-5.05656
80	142	-5.94669
81	142	-7.17743
82	142	-8.8305
83	142	-11.0173
84	142	-13.9514
85	142	-17.8228
86	142	-19.9876
87	142	-16.6402
88	142	-13.0365
89	142	-10.3996
90	142	-8.47282
91	142	-6.83363
92	142	-5.81327
93	142	-5.06916
94	142	-4.58828
95	142	-4.34792
96	142	-4.33188
97	142	-4.52454
98	142	-4.92986
99	142	-5.47411
100	142	-6.23965
101	142	-7.40915
102	142	-8.95107
103	142	-11.0091
104	142	-13.7199
105	142	-16.9958
106	142	-18.5041
107	142	-15.8273
108	142	-13.9448
109	142	-12.7849
110	142	-11.153
111	142	-8.99366
112	142	-7.24481
113	142	-6.11302
114	142	-5.29808
115	142	-4.72393
116	142	-4.359
117	142	-4.1734
118	142	-4.15445
119	142	-4.28262
120	142	-4.55242
121	142	-4.92411
122	142	-5.47282
123	142	-6.10008
124	142	-6.80775
125	142	-7.50661
126	142	-8.19025
127	142	-8.69221
128	142	-8.88899
129	142	-8.71187
130	142	-8.1874
131	142	-7.47204
132	142	-6.65786
133	142	-5.84144
134	142	-5.01275
135	142	-4.31245
136	142	-3.64374
137	142	-3.12908
138	142	-2.67037
139	142	-2.27673
140	142	-1.92738
141	142	-1.70421
142	142	-1.49044
143	142	-1.29678
144	142	-1.20083
145	142	-1.14392
146	142	-1.12643
147	142	-1.14114
148	142	-1.18295
149	142	-1.25817
150	142	-1.35256
151	142	-1.44947
152	142	-1.56989
153	142	-1.70968
154	142	-1.78254
155	142	-1.98001
156	142	-2.10245
157	142	-2.27729
158	142	-2.32522
159	142	-2.43931
160	142	-2.5447

161	142	-2.63488
162	142	-2.69543
163	142	-2.74454
164	142	-2.7935
165	142	-2.68651
166	142	-2.80114
167	142	-2.79898
168	142	-2.78312
169	142	-2.75788
170	142	-2.72669
171	142	-2.69373
172	142	-2.66566
173	142	-2.63376
174	142	-2.58772
175	142	-2.52275
176	142	-2.44707
177	142	-2.37672
178	142	-2.31654
179	142	-2.24459
180	142	-2.15694
-180	143	-1.72024
-179	143	-1.63158
-178	143	-1.54495
-177	143	-1.45843
-176	143	-1.35262
-175	143	-1.2505
-174	143	-1.14211
-173	143	-1.02494
-172	143	-0.918089
-171	143	-0.794897
-170	143	-0.667937
-169	143	-0.54624
-168	143	-0.430574
-167	143	-0.31886
-166	143	-0.222386
-165	143	-0.131513
-164	143	-0.049926
-163	143	0.0202557
-162	143	0.0671623
-161	143	0.107125
-160	143	0.137716
-159	143	0.132128
-158	143	0.107594
-157	143	0.0505495
-156	143	-0.0468493
-155	143	-0.146671
-154	143	-0.299575
-153	143	-0.494921
-152	143	-0.732536
-151	143	-1.01623
-150	143	-1.33975
-149	143	-1.71954
-148	143	-2.15386
-147	143	-2.638
-146	143	-3.16489
-145	143	-3.7195
-144	143	-4.28623
-143	143	-4.84096
-142	143	-5.344
-141	143	-5.72812
-140	143	-5.92877
-139	143	-5.90061
-138	143	-5.66292
-137	143	-5.22115
-136	143	-4.70106
-135	143	-4.1431
-134	143	-3.59447
-133	143	-3.03046
-132	143	-2.5338
-131	143	-2.11044
-130	143	-1.81154
-129	143	-1.58075
-128	143	-1.47506
-127	143	-1.4872
-126	143	-1.58852
-125	143	-1.81181
-124	143	-2.15873
-123	143	-2.64068
-122	143	-3.26302
-121	143	-4.03125
-120	143	-4.96136
-119	143	-6.05792
-118	143	-7.27572
-117	143	-8.49673
-116	143	-9.47194
-115	143	-9.83087
-114	143	-9.43587
-113	143	-8.48768
-112	143	-7.43876
-111	143	-6.27616
-110	143	-5.16539
-109	143	-4.28712
-108	143	-3.69286
-107	143	-3.48445
-106	143	-3.0388
-105	143	-3.00694
-104	143	-3.18341

-103	143	-3.51435
-102	143	-4.11216
-101	143	-4.95132
-100	143	-6.10455
-99	143	-7.67835
-98	143	-9.80565
-97	143	-12.7714
-96	143	-17.0293
-95	143	-21.3966
-94	143	-19.1641
-93	143	-14.4236
-92	143	-11.1993
-91	143	-9.00399
-90	143	-7.44403
-89	143	-6.24553
-88	143	-5.30695
-87	143	-4.69848
-86	143	-4.36398
-85	143	-4.37203
-84	143	-4.32281
-83	143	-4.54167
-82	143	-4.8764
-81	143	-5.48603
-80	143	-6.33965
-79	143	-7.50366
-78	143	-9.03587
-77	143	-11.0884
-76	143	-13.6406
-75	143	-16.548
-74	143	-17.6152
-73	143	-15.2936
-72	143	-12.2862
-71	143	-11.0687
-70	143	-9.49717
-69	143	-8.30188
-68	143	-6.89567
-67	143	-5.82128
-66	143	-5.03744
-65	143	-4.47112
-64	143	-4.09137
-63	143	-3.87489
-62	143	-3.82162
-61	143	-3.90899
-60	143	-4.14469
-59	143	-4.49698
-58	143	-4.9795
-57	143	-5.60398
-56	143	-6.33328
-55	143	-7.16826
-54	143	-7.98607
-53	143	-8.73068
-52	143	-9.22818
-51	143	-9.3918
-50	143	-9.0867
-49	143	-8.49737
-48	143	-7.56836
-47	143	-6.69642
-46	143	-5.74543
-45	143	-4.9752
-44	143	-4.28374
-43	143	-3.67318
-42	143	-3.12343
-41	143	-2.67844
-40	143	-2.29728
-39	143	-1.97708
-38	143	-1.7191
-37	143	-1.5171
-36	143	-1.34837
-35	143	-1.23428
-34	143	-1.15635
-33	143	-1.13955
-32	143	-1.12598
-31	143	-1.14538
-30	143	-1.1852
-29	143	-1.2448
-28	143	-1.33384
-27	143	-1.43302
-26	143	-1.52298
-25	143	-1.61944
-24	143	-1.73113
-23	143	-1.82762
-22	143	-1.91596
-21	143	-2.01212
-20	143	-2.10367
-19	143	-2.18991
-18	143	-2.21546
-17	143	-2.35973
-16	143	-2.41488
-15	143	-2.44643
-14	143	-2.46793
-13	143	-2.48652
-12	143	-2.51019
-11	143	-2.49736
-10	143	-2.49717
-9	143	-2.47973
-8	143	-2.45712
-7	143	-2.42872

-6	143	-2.39018
-5	143	-2.34475
-4	143	-2.29706
-3	143	-2.23809
-2	143	-2.1718
-1	143	-2.10783
0	143	-2.01374
1	143	-1.91901
2	143	-1.84944
3	143	-1.74137
4	143	-1.64472
5	143	-1.55055
6	143	-1.43284
7	143	-1.31003
8	143	-1.19743
9	143	-1.0742
10	143	-0.947434
11	143	-0.81746
12	143	-0.694539
13	143	-0.577932
14	143	-0.478625
15	143	-0.383026
16	143	-0.289767
17	143	-0.204863
18	143	-0.134958
19	143	-0.0828934
20	143	-0.0565723
21	143	-0.0537749
22	143	-0.0735336
23	143	-0.122182
24	143	-0.199306
25	143	-0.304696
26	143	-0.449622
27	143	-0.639464
28	143	-0.870089
29	143	-1.14743
30	143	-1.46892
31	143	-1.84255
32	143	-2.27413
33	143	-2.73216
34	143	-3.28097
35	143	-3.86546
36	143	-4.50428
37	143	-5.14778
38	143	-5.76654
39	143	-6.34996
40	143	-6.681
41	143	-6.79948
42	143	-6.61095
43	143	-6.17862
44	143	-5.59287
45	143	-4.89461
46	143	-4.24818
47	143	-3.64443
48	143	-3.11091
49	143	-2.68646
50	143	-2.33094
51	143	-2.05915
52	143	-1.90112
53	143	-1.84755
54	143	-1.90003
55	143	-2.05027
56	143	-2.34874
57	143	-2.76273
58	143	-3.33209
59	143	-4.07077
60	143	-4.9852
61	143	-6.09267
62	143	-7.37684
63	143	-8.7766
64	143	-10.0794
65	143	-10.9718
66	143	-10.9785
67	143	-10.1211
68	143	-8.9653
69	143	-7.67441
70	143	-6.44731
71	143	-5.46699
72	143	-4.76522
73	143	-4.25852
74	143	-3.93538
75	143	-3.77832
76	143	-3.84064
77	143	-4.06668
78	143	-4.47936
79	143	-5.15005
80	143	-6.02926
81	143	-7.19665
82	143	-8.80354
83	143	-10.9399
84	143	-13.8636
85	143	-17.81
86	143	-20.5014
87	143	-17.374
88	143	-13.5974
89	143	-10.8616
90	143	-8.8732

91	143	-7.10474
92	143	-6.02536
93	143	-5.27864
94	143	-4.76017
95	143	-4.46476
96	143	-4.38184
97	143	-4.50497
98	143	-4.83838
99	143	-5.26583
100	143	-6.02828
101	143	-6.95437
102	143	-8.30064
103	143	-10.083
104	143	-12.4001
105	143	-15.3039
106	143	-17.8538
107	143	-17.1265
108	143	-14.0018
109	143	-12.7906
110	143	-11.0853
111	143	-9.5738
112	143	-7.98038
113	143	-6.53595
114	143	-5.65291
115	143	-4.97689
116	143	-4.50461
117	143	-4.21448
118	143	-4.08541
119	143	-4.10178
120	143	-4.25769
121	143	-4.55354
122	143	-4.96017
123	143	-5.48516
124	143	-6.10476
125	143	-6.80072
126	143	-7.49119
127	143	-8.17453
128	143	-8.71124
129	143	-8.98078
130	143	-8.91138
131	143	-8.49682
132	143	-7.83892
133	143	-7.05017
134	143	-6.27534
135	143	-5.43382
136	143	-4.7741
137	143	-4.11221
138	143	-3.44255
139	143	-2.9507
140	143	-2.54967
141	143	-2.16534
142	143	-1.83945
143	143	-1.60083
144	143	-1.40685
145	143	-1.26177
146	143	-1.11026
147	143	-1.04303
148	143	-1.00344
149	143	-0.99622
150	143	-1.01222
151	143	-1.04921
152	143	-1.10937
153	143	-1.18585
154	143	-1.27015
155	143	-1.36836
156	143	-1.48248
157	143	-1.5904
158	143	-1.68729
159	143	-1.77856
160	143	-1.86404
161	143	-1.92283
162	143	-1.98157
163	143	-2.02731
164	143	-2.12674
165	143	-2.16283
166	143	-2.19606
167	143	-2.21897
168	143	-2.22979
169	143	-2.22901
170	143	-2.2291
171	143	-2.21284
172	143	-2.19138
173	143	-2.15996
174	143	-2.1089
175	143	-2.04999
176	143	-2.00088
177	143	-1.94218
178	143	-1.87983
179	143	-1.80276
180	143	-1.72024
-180	144	-1.13416
-179	144	-1.04603
-178	144	-0.987569
-177	144	-0.897212
-176	144	-0.815094
-175	144	-0.729047
-174	144	-0.637069

-173	144	-0.53629
-172	144	-0.449317
-171	144	-0.360076
-170	144	-0.278657
-169	144	-0.169839
-168	144	-0.112432
-167	144	-0.0337904
-166	144	0.0339321
-165	144	0.0763466
-164	144	0.116692
-163	144	0.140813
-162	144	0.136728
-161	144	0.13101
-160	144	0.0974843
-159	144	0.0402774
-158	144	-0.0546408
-157	144	-0.173468
-156	144	-0.32515
-155	144	-0.494038
-154	144	-0.711773
-153	144	-0.968437
-152	144	-1.26987
-151	144	-1.61549
-150	144	-2.00541
-149	144	-2.44261
-148	144	-2.90761
-147	144	-3.41262
-146	144	-3.94039
-145	144	-4.48213
-144	144	-5.02499
-143	144	-5.50219
-142	144	-5.84828
-141	144	-6.01687
-140	144	-5.98148
-139	144	-5.72284
-138	144	-5.31097
-137	144	-4.80399
-136	144	-4.25846
-135	144	-3.61777
-134	144	-3.1056
-133	144	-2.6115
-132	144	-2.21137
-131	144	-1.9144
-130	144	-1.70278
-129	144	-1.6681
-128	144	-1.55975
-127	144	-1.64709
-126	144	-1.84144
-125	144	-2.14462
-124	144	-2.56708
-123	144	-3.12342
-122	144	-3.82373
-121	144	-4.67272
-120	144	-5.67258
-119	144	-6.80682
-118	144	-8.01588
-117	144	-9.1411
-116	144	-9.86412
-115	144	-9.86588
-114	144	-9.17184
-113	144	-8.20366
-112	144	-7.02573
-111	144	-5.83506
-110	144	-4.84041
-109	144	-4.08814
-108	144	-3.56522
-107	144	-3.15044
-106	144	-3.00251
-105	144	-3.00417
-104	144	-3.17878
-103	144	-3.57463
-102	144	-4.18655
-101	144	-5.03683
-100	144	-6.18431
-99	144	-7.71691
-98	144	-9.81536
-97	144	-12.8282
-96	144	-17.4279
-95	144	-22.1342
-94	144	-19.7511
-93	144	-14.9171
-92	144	-11.6055
-91	144	-9.1452
-90	144	-7.48984
-89	144	-6.52403
-88	144	-5.59412
-87	144	-4.91209
-86	144	-4.49569
-85	144	-4.48803
-84	144	-4.39148
-83	144	-4.5118
-82	144	-4.80338
-81	144	-5.32791
-80	144	-6.08142
-79	144	-7.09831
-78	144	-8.45648
-77	144	-10.2262

-76	144	-12.5073
-75	144	-15.226
-74	144	-17.4027
-73	144	-16.5581
-72	144	-13.7792
-71	144	-11.4346
-70	144	-9.36869
-69	144	-8.7142
-68	144	-7.2962
-67	144	-6.17096
-66	144	-5.2992
-65	144	-4.66374
-64	144	-4.20026
-63	144	-3.90981
-62	144	-3.75924
-61	144	-3.75613
-60	144	-3.87455
-59	144	-4.11781
-58	144	-4.49379
-57	144	-4.9784
-56	144	-5.65536
-55	144	-6.35689
-54	144	-7.15597
-53	144	-7.967
-52	144	-8.69899
-51	144	-9.31499
-50	144	-9.55816
-49	144	-9.48629
-48	144	-9.02958
-47	144	-8.22135
-46	144	-7.23486
-45	144	-6.36392
-44	144	-5.46562
-43	144	-4.7271
-42	144	-4.08359
-41	144	-3.52246
-40	144	-3.03889
-39	144	-2.60188
-38	144	-2.23857
-37	144	-1.92021
-36	144	-1.68176
-35	144	-1.48563
-34	144	-1.30811
-33	144	-1.17991
-32	144	-1.08862
-31	144	-1.03743
-30	144	-1.01078
-29	144	-1.00246
-28	144	-1.01709
-27	144	-1.04458
-26	144	-1.08122
-25	144	-1.14081
-24	144	-1.19993
-23	144	-1.25445
-22	144	-1.31416
-21	144	-1.37881
-20	144	-1.44217
-19	144	-1.51826
-18	144	-1.60829
-17	144	-1.6857
-16	144	-1.72732
-15	144	-1.76469
-14	144	-1.79462
-13	144	-1.82128
-12	144	-1.83948
-11	144	-1.86094
-10	144	-1.86179
-9	144	-1.86008
-8	144	-1.85125
-7	144	-1.8308
-6	144	-1.80006
-5	144	-1.76202
-4	144	-1.72645
-3	144	-1.6745
-2	144	-1.61121
-1	144	-1.54082
0	144	-1.48087
1	144	-1.39789
2	144	-1.30547
3	144	-1.22112
4	144	-1.13698
5	144	-1.03905
6	144	-0.940956
7	144	-0.837915
8	144	-0.747939
9	144	-0.649111
10	144	-0.550134
11	144	-0.452588
12	144	-0.36822
13	144	-0.291158
14	144	-0.2193
15	144	-0.169616
16	144	-0.119322
17	144	-0.0859537
18	144	-0.0693131
19	144	-0.0713577
20	144	-0.0991702

21	144	-0.143624
22	144	-0.226851
23	144	-0.332342
24	144	-0.483732
25	144	-0.661309
26	144	-0.866646
27	144	-1.11491
28	144	-1.40878
29	144	-1.75184
30	144	-2.14465
31	144	-2.58946
32	144	-3.06372
33	144	-3.564
34	144	-4.18384
35	144	-4.80499
36	144	-5.44706
37	144	-6.06125
38	144	-6.52507
39	144	-6.84543
40	144	-6.89606
41	144	-6.67808
42	144	-6.22784
43	144	-5.59734
44	144	-4.96098
45	144	-4.33057
46	144	-3.74645
47	144	-3.2295
48	144	-2.81091
49	144	-2.4458
50	144	-2.14239
51	144	-1.99712
52	144	-1.91162
53	144	-1.94809
54	144	-2.08476
55	144	-2.30824
56	144	-2.68493
57	144	-3.19522
58	144	-3.85975
59	144	-4.68907
60	144	-5.70209
61	144	-6.90026
62	144	-8.25828
63	144	-9.63913
64	144	-10.8618
65	144	-11.3958
66	144	-10.9678
67	144	-9.9787
68	144	-8.62258
69	144	-7.25117
70	144	-6.10167
71	144	-5.2554
72	144	-4.60467
73	144	-4.13345
74	144	-3.85463
75	144	-3.76722
76	144	-3.85262
77	144	-4.11552
78	144	-4.54006
79	144	-5.2022
80	144	-6.09563
81	144	-7.27864
82	144	-8.88725
83	144	-11.0745
84	144	-13.803
85	144	-17.7238
86	144	-20.874
87	144	-18.0353
88	144	-14.1326
89	144	-11.2875
90	144	-8.95225
91	144	-7.41782
92	144	-6.28092
93	144	-5.45187
94	144	-4.90338
95	144	-4.57863
96	144	-4.43967
97	144	-4.48939
98	144	-4.74957
99	144	-5.20973
100	144	-5.7975
101	144	-6.59894
102	144	-7.77055
103	144	-9.30071
104	144	-11.2639
105	144	-13.7382
106	144	-16.398
107	144	-17.431
108	144	-15.373
109	144	-12.9213
110	144	-10.8407
111	144	-10.1673
112	144	-8.44127
113	144	-6.95942
114	144	-5.92781
115	144	-5.22846
116	144	-4.65949
117	144	-4.30876

118	144	-4.06541
119	144	-4.04875
120	144	-3.87704
121	144	-4.10288
122	144	-4.52922
123	144	-4.93546
124	144	-5.44945
125	144	-6.06461
126	144	-6.74685
127	144	-7.57528
128	144	-8.16554
129	144	-8.70093
130	144	-9.04066
131	144	-9.07601
132	144	-8.77732
133	144	-8.21154
134	144	-7.49406
135	144	-6.71122
136	144	-5.93565
137	144	-5.20482
138	144	-4.46739
139	144	-3.86516
140	144	-3.27553
141	144	-2.82348
142	144	-2.41152
143	144	-2.07249
144	144	-1.76413
145	144	-1.5301
146	144	-1.34306
147	144	-1.19905
148	144	-1.03594
149	144	-0.958331
150	144	-0.91003
151	144	-0.884923
152	144	-0.87986
153	144	-0.891572
154	144	-0.911189
155	144	-0.954368
156	144	-1.00207
157	144	-1.04271
158	144	-1.09899
159	144	-1.10804
160	144	-1.16775
161	144	-1.25611
162	144	-1.32149
163	144	-1.37015
164	144	-1.41444
165	144	-1.45168
166	144	-1.48792
167	144	-1.51947
168	144	-1.54326
169	144	-1.56563
170	144	-1.56706
171	144	-1.563
172	144	-1.54267
173	144	-1.50464
174	144	-1.46808
175	144	-1.43091
176	144	-1.38674
177	144	-1.32921
178	144	-1.26206
179	144	-1.19835
180	144	-1.13416
-180	145	-0.588158
-179	145	-0.524654
-178	145	-0.46914
-177	145	-0.407962
-176	145	-0.347622
-175	145	-0.289344
-174	145	-0.226405
-173	145	-0.162218
-172	145	-0.097319
-171	145	-0.0415984
-170	145	0.0153909
-169	145	0.0676384
-168	145	0.113107
-167	145	0.143573
-166	145	0.15852
-165	145	0.149332
-164	145	0.134161
-163	145	0.102607
-162	145	0.0568446
-161	145	0.00450087
-160	145	-0.0772789
-159	145	-0.191478
-158	145	-0.32859
-157	145	-0.501746
-156	145	-0.713004
-155	145	-0.953167
-154	145	-1.22965
-153	145	-1.54488
-152	145	-1.89979
-151	145	-2.29915
-150	145	-2.74049
-149	145	-3.22015
-148	145	-3.73544
-147	145	-4.25473

-146	145	-4.7983
-145	145	-5.29974
-144	145	-5.70975
-143	145	-5.97957
-142	145	-6.07307
-141	145	-5.96568
-140	145	-5.68293
-139	145	-5.26855
-138	145	-4.68172
-137	145	-4.13441
-136	145	-3.60128
-135	145	-3.06938
-134	145	-2.61272
-133	145	-2.25217
-132	145	-1.97882
-131	145	-1.7687
-130	145	-1.65249
-129	145	-1.61529
-128	145	-1.67808
-127	145	-1.84679
-126	145	-2.11977
-125	145	-2.50109
-124	145	-3.00042
-123	145	-3.63473
-122	145	-4.41445
-121	145	-5.34876
-120	145	-6.43235
-119	145	-7.62221
-118	145	-8.81259
-117	145	-9.77846
-116	145	-10.1856
-115	145	-9.84941
-114	145	-9.05511
-113	145	-7.98816
-112	145	-6.66406
-111	145	-5.53027
-110	145	-4.67716
-109	145	-4.0168
-108	145	-3.43937
-107	145	-3.17193
-106	145	-3.00778
-105	145	-3.02298
-104	145	-3.21271
-103	145	-3.63267
-102	145	-4.24783
-101	145	-5.11495
-100	145	-6.2596
-99	145	-7.77034
-98	145	-9.80413
-97	145	-12.6081
-96	145	-17.1906
-95	145	-22.2181
-94	145	-20.6121
-93	145	-15.4724
-92	145	-11.9975
-91	145	-9.66902
-90	145	-7.94832
-89	145	-6.66208
-88	145	-5.73348
-87	145	-5.1029
-86	145	-4.64701
-85	145	-4.6156
-84	145	-4.4649
-83	145	-4.52396
-82	145	-4.83588
-81	145	-5.20061
-80	145	-5.85613
-79	145	-6.74157
-78	145	-7.92262
-77	145	-9.44254
-76	145	-11.3165
-75	145	-13.5313
-74	145	-16.4901
-73	145	-17.1678
-72	145	-15.1691
-71	145	-12.5028
-70	145	-10.6376
-69	145	-7.16071
-68	145	-7.41706
-67	145	-6.35237
-66	145	-5.50966
-65	145	-4.8459
-64	145	-4.36919
-63	145	-4.0215
-62	145	-3.80894
-61	145	-3.71304
-60	145	-3.72297
-59	145	-3.89418
-58	145	-4.11351
-57	145	-4.48216
-56	145	-4.97165
-55	145	-5.59535
-54	145	-6.29407
-53	145	-7.10394
-52	145	-7.9543
-51	145	-8.72791
-50	145	-9.4064

-49	145	-9.78863
-48	145	-9.75513
-47	145	-9.40004
-46	145	-8.74484
-45	145	-7.86322
-44	145	-6.88993
-43	145	-6.0789
-42	145	-5.40545
-41	145	-4.59834
-40	145	-3.99371
-39	145	-3.45438
-38	145	-2.98219
-37	145	-2.56171
-36	145	-2.21204
-35	145	-1.90956
-34	145	-1.66391
-33	145	-1.45781
-32	145	-1.27081
-31	145	-1.14098
-30	145	-1.03797
-29	145	-0.960479
-28	145	-0.903773
-27	145	-0.863718
-26	145	-0.837457
-25	145	-0.836165
-24	145	-0.845041
-23	145	-0.86041
-22	145	-0.884996
-21	145	-0.917984
-20	145	-0.953513
-19	145	-0.994215
-18	145	-1.04503
-17	145	-1.02096
-16	145	-1.12319
-15	145	-1.15575
-14	145	-1.17809
-13	145	-1.19947
-12	145	-1.2141
-11	145	-1.24193
-10	145	-1.23325
-9	145	-1.23786
-8	145	-1.23883
-7	145	-1.22704
-6	145	-1.20818
-5	145	-1.18991
-4	145	-1.1519
-3	145	-1.09768
-2	145	-1.05286
-1	145	-1.02063
0	145	-0.950868
1	145	-0.864048
2	145	-0.814557
3	145	-0.740819
4	145	-0.660815
5	145	-0.58239
6	145	-0.503857
7	145	-0.428623
8	145	-0.355826
9	145	-0.293839
10	145	-0.229314
11	145	-0.167154
12	145	-0.116981
13	145	-0.0774334
14	145	-0.0485515
15	145	-0.0458449
16	145	-0.0550204
17	145	-0.0795495
18	145	-0.127563
19	145	-0.197266
20	145	-0.297549
21	145	-0.416463
22	145	-0.561622
23	145	-0.730616
24	145	-0.941493
25	145	-1.18171
26	145	-1.44434
27	145	-1.75396
28	145	-2.11457
29	145	-2.53304
30	145	-2.98032
31	145	-3.49342
32	145	-4.0307
33	145	-4.57919
34	145	-5.19477
35	145	-5.7806
36	145	-6.30086
37	145	-6.72813
38	145	-6.92078
39	145	-6.90028
40	145	-6.61182
41	145	-6.11573
42	145	-5.54474
43	145	-4.93554
44	145	-4.3343
45	145	-3.7724
46	145	-3.27141
47	145	-2.86453

48	145	-2.51713
49	145	-2.23776
50	145	-2.06037
51	145	-1.96752
52	145	-1.97848
53	145	-2.09235
54	145	-2.31436
55	145	-2.64742
56	145	-3.11295
57	145	-3.72806
58	145	-4.47566
59	145	-5.38941
60	145	-6.48501
61	145	-7.7685
62	145	-9.20768
63	145	-10.5717
64	145	-11.5284
65	145	-11.5573
66	145	-10.8381
67	145	-9.52924
68	145	-8.09599
69	145	-6.85688
70	145	-5.90475
71	145	-5.13101
72	145	-4.5417
73	145	-4.13121
74	145	-3.88484
75	145	-3.82394
76	145	-3.91695
77	145	-4.18825
78	145	-4.63647
79	145	-5.28968
80	145	-6.19025
81	145	-7.36668
82	145	-8.9341
83	145	-11.0061
84	145	-13.7759
85	145	-17.6507
86	145	-21.8187
87	145	-18.3932
88	145	-14.5273
89	145	-11.6767
90	145	-9.2787
91	145	-7.72116
92	145	-6.54453
93	145	-5.67235
94	145	-5.04657
95	145	-4.65231
96	145	-4.4858
97	145	-4.51451
98	145	-4.70607
99	145	-5.08833
100	145	-5.58553
101	145	-6.34762
102	145	-7.26052
103	145	-8.60223
104	145	-10.1868
105	145	-13.2607
106	145	-14.9147
107	145	-16.8528
108	145	-16.4233
109	145	-14.1016
110	145	-12.195
111	145	-8.6783
112	145	-8.7183
113	145	-7.39788
114	145	-6.23838
115	145	-5.45614
116	145	-4.86235
117	145	-4.4102
118	145	-4.14368
119	145	-3.95703
120	145	-3.90473
121	145	-3.98693
122	145	-4.17527
123	145	-4.471
124	145	-4.87825
125	145	-5.38119
126	145	-5.97839
127	145	-6.6482
128	145	-7.36268
129	145	-8.05883
130	145	-8.67079
131	145	-9.04376
132	145	-9.18479
133	145	-9.0056
134	145	-8.55289
135	145	-7.91009
136	145	-7.1759
137	145	-6.41837
138	145	-5.69586
139	145	-5.04287
140	145	-4.30824
141	145	-3.75108
142	145	-3.26338
143	145	-2.76837
144	145	-2.38865

145	145	-2.06711
146	145	-1.79473
147	145	-1.54072
148	145	-1.34564
149	145	-1.19043
150	145	-1.06729
151	145	-0.914144
152	145	-0.841861
153	145	-0.766495
154	145	-0.737726
155	145	-0.686689
156	145	-0.636114
157	145	-0.673709
158	145	-0.685755
159	145	-0.702429
160	145	-0.726248
161	145	-0.753522
162	145	-0.790376
163	145	-0.81929
164	145	-0.846705
165	145	-0.872647
166	145	-0.888715
167	145	-0.904896
168	145	-0.918726
169	145	-0.934152
170	145	-0.930118
171	145	-0.921967
172	145	-0.917272
173	145	-0.912594
174	145	-0.895645
175	145	-0.872066
176	145	-0.834789
177	145	-0.768579
178	145	-0.71771
179	145	-0.655426
180	145	-0.588158
-180	146	-0.22166
-179	146	-0.179174
-178	146	-0.144708
-177	146	-0.102078
-176	146	-0.0597043
-175	146	-0.0164613
-174	146	0.0268368
-173	146	0.0674069
-172	146	0.101025
-171	146	0.125609
-170	146	0.146379
-169	146	0.15449
-168	146	0.154128
-167	146	0.137124
-166	146	0.110858
-165	146	0.0636959
-164	146	-0.000750975
-163	146	-0.0832956
-162	146	-0.174693
-161	146	-0.289347
-160	146	-0.426988
-159	146	-0.586029
-158	146	-0.777225
-157	146	-1.02768
-156	146	-1.27908
-155	146	-1.5729
-154	146	-1.91071
-153	146	-2.28612
-152	146	-2.70023
-151	146	-3.15682
-150	146	-3.65927
-149	146	-4.1401
-148	146	-4.64914
-147	146	-5.12899
-146	146	-5.54186
-145	146	-5.85227
-144	146	-6.01358
-143	146	-6.00959
-142	146	-5.84146
-141	146	-5.51294
-140	146	-5.03188
-139	146	-4.54174
-138	146	-3.98815
-137	146	-3.50016
-136	146	-3.01558
-135	146	-2.61115
-134	146	-2.2774
-133	146	-2.01873
-132	146	-1.81471
-131	146	-1.69274
-130	146	-1.65017
-129	146	-1.70041
-128	146	-1.84602
-127	146	-2.09333
-126	146	-2.4451
-125	146	-2.90976
-124	146	-3.49775
-123	146	-4.21799
-122	146	-5.08186
-121	146	-6.09525
-120	146	-7.24569

-119	146	-8.46231
-118	146	-9.5748
-117	146	-10.2808
-116	146	-10.2932
-115	146	-9.79899
-114	146	-9.05606
-113	146	-7.63879
-112	146	-6.33769
-111	146	-5.32895
-110	146	-4.53115
-109	146	-3.82855
-108	146	-3.44103
-107	146	-3.15021
-106	146	-3.04087
-105	146	-3.09085
-104	146	-3.33322
-103	146	-3.76377
-102	146	-4.40564
-101	146	-5.2754
-100	146	-6.41367
-99	146	-7.96281
-98	146	-9.99115
-97	146	-12.7616
-96	146	-17.1208
-95	146	-22.3741
-94	146	-21.0682
-93	146	-15.9458
-92	146	-12.2522
-91	146	-10.0195
-90	146	-8.23126
-89	146	-6.91749
-88	146	-5.93502
-87	146	-5.22051
-86	146	-4.76804
-85	146	-4.7828
-84	146	-4.58451
-83	146	-4.53256
-82	146	-4.69399
-81	146	-5.10396
-80	146	-5.63778
-79	146	-6.39774
-78	146	-7.42717
-77	146	-8.7408
-76	146	-10.4073
-75	146	-12.5213
-74	146	-14.9249
-73	146	-16.7369
-72	146	-16.338
-71	146	-14.0582
-70	146	-11.64
-69	146	-10.0106
-68	146	-7.54171
-67	146	-6.54613
-66	146	-5.76544
-65	146	-5.13045
-64	146	-4.58958
-63	146	-4.20128
-62	146	-3.94019
-61	146	-3.76075
-60	146	-3.70822
-59	146	-3.72487
-58	146	-3.83289
-57	146	-4.19643
-56	146	-4.53975
-55	146	-4.99194
-54	146	-5.56378
-53	146	-6.17433
-52	146	-6.96561
-51	146	-7.62076
-50	146	-8.52955
-49	146	-9.24133
-48	146	-9.78704
-47	146	-10.0037
-46	146	-9.8353
-45	146	-9.31251
-44	146	-8.5854
-43	146	-7.69141
-42	146	-6.8566
-41	146	-5.96833
-40	146	-5.25772
-39	146	-4.53607
-38	146	-3.94177
-37	146	-3.43436
-36	146	-2.97813
-35	146	-2.58465
-34	146	-2.24885
-33	146	-1.95062
-32	146	-1.70451
-31	146	-1.48854
-30	146	-1.30309
-29	146	-1.13093
-28	146	-1.00831
-27	146	-0.899974
-26	146	-0.818647
-25	146	-0.759305
-24	146	-0.71679
-23	146	-0.686679

-22	146	-0.671856
-21	146	-0.663359
-20	146	-0.659497
-19	146	-0.670991
-18	146	-0.683292
-17	146	-0.689298
-16	146	-0.715499
-15	146	-0.704954
-14	146	-0.712554
-13	146	-0.73198
-12	146	-0.746041
-11	146	-0.738785
-10	146	-0.745594
-9	146	-0.766226
-8	146	-0.768203
-7	146	-0.745871
-6	146	-0.721249
-5	146	-0.703517
-4	146	-0.684436
-3	146	-0.670125
-2	146	-0.629779
-1	146	-0.563203
0	146	-0.517467
1	146	-0.484546
2	146	-0.441104
3	146	-0.39265
4	146	-0.346731
5	146	-0.300333
6	146	-0.257214
7	146	-0.218135
8	146	-0.184978
9	146	-0.161465
10	146	-0.138955
11	146	-0.124881
12	146	-0.121826
13	146	-0.133924
14	146	-0.155381
15	146	-0.200875
16	146	-0.257743
17	146	-0.329716
18	146	-0.426299
19	146	-0.545296
20	146	-0.687751
21	146	-0.857509
22	146	-1.05982
23	146	-1.2925
24	146	-1.5682
25	146	-1.8659
26	146	-2.21107
27	146	-2.56812
28	146	-2.99467
29	146	-3.42632
30	146	-3.86044
31	146	-4.32765
32	146	-4.8812
33	146	-5.52905
34	146	-6.16878
35	146	-6.62305
36	146	-6.97118
37	146	-7.01673
38	146	-6.82436
39	146	-6.46328
40	146	-5.98103
41	146	-5.41646
42	146	-4.82702
43	146	-4.2557
44	146	-3.72249
45	146	-3.27707
46	146	-2.86904
47	146	-2.52765
48	146	-2.2896
49	146	-2.08991
50	146	-2.00868
51	146	-1.99991
52	146	-2.09006
53	146	-2.29324
54	146	-2.6113
55	146	-3.04937
56	146	-3.60051
57	146	-4.32761
58	146	-5.19946
59	146	-6.24197
60	146	-7.47034
61	146	-8.85642
62	146	-10.2346
63	146	-11.4288
64	146	-11.952
65	146	-11.757
66	146	-10.6057
67	146	-9.09374
68	146	-7.70824
69	146	-6.62204
70	146	-5.7343
71	146	-5.0326
72	146	-4.50527
73	146	-4.12582
74	146	-3.92128

75	146	-3.88094
76	146	-4.0006
77	146	-4.27983
78	146	-4.75575
79	146	-5.41276
80	146	-6.31152
81	146	-7.49988
82	146	-9.03108
83	146	-11.0933
84	146	-13.8547
85	146	-17.5556
86	146	-21.1967
87	146	-19.2085
88	146	-15.0317
89	146	-12.9226
90	146	-9.54962
91	146	-7.90205
92	146	-6.74873
93	146	-5.85896
94	146	-5.23094
95	146	-4.80185
96	146	-4.55455
97	146	-4.49493
98	146	-4.62804
99	146	-4.95232
100	146	-5.44411
101	146	-6.03951
102	146	-6.91182
103	146	-7.94395
104	146	-9.38344
105	146	-11.1741
106	146	-13.3404
107	146	-15.5482
108	146	-16.686
109	146	-15.4491
110	146	-13.1005
111	146	-11.3968
112	146	-8.81247
113	146	-7.65672
114	146	-6.59647
115	146	-5.82266
116	146	-5.17884
117	146	-4.67011
118	146	-4.2828
119	146	-4.00175
120	146	-3.89092
121	146	-3.86237
122	146	-3.92656
123	146	-4.16449
124	146	-4.45642
125	146	-4.84866
126	146	-5.25239
127	146	-5.83249
128	146	-6.49673
129	146	-7.17417
130	146	-7.86657
131	146	-8.5027
132	146	-8.99783
133	146	-9.25353
134	146	-9.18355
135	146	-8.87974
136	146	-8.35981
137	146	-7.7108
138	146	-7.00749
139	146	-6.30011
140	146	-5.61477
141	146	-4.97787
142	146	-4.39076
143	146	-3.78499
144	146	-3.35909
145	146	-2.85221
146	146	-2.46979
147	146	-2.10748
148	146	-1.84916
149	146	-1.64165
150	146	-1.36351
151	146	-1.15594
152	146	-1.0129
153	146	-0.897908
154	146	-0.735691
155	146	-0.653126
156	146	-0.591726
157	146	-0.542481
158	146	-0.505803
159	146	-0.480755
160	146	-0.465344
161	146	-0.461961
162	146	-0.459669
163	146	-0.458548
164	146	-0.462627
165	146	-0.460801
166	146	-0.459803
167	146	-0.463417
168	146	-0.467201
169	146	-0.45565
170	146	-0.450414
171	146	-0.456168

172	146	-0.456002
173	146	-0.439127
174	146	-0.420124
175	146	-0.405142
176	146	-0.368873
177	146	-0.339891
178	146	-0.293875
179	146	-0.258515
180	146	-0.221666
-180	147	-0.0145108
-179	147	0.00665033
-178	147	0.0184998
-177	147	0.0327609
-176	147	0.0456786
-175	147	0.0581692
-174	147	0.0666021
-173	147	0.0708513
-172	147	0.0676201
-171	147	0.0561101
-170	147	0.0387346
-169	147	0.00995084
-168	147	-0.0277823
-167	147	-0.0789459
-166	147	-0.145635
-165	147	-0.240401
-164	147	-0.347554
-163	147	-0.468578
-162	147	-0.596697
-161	147	-0.766932
-160	147	-0.962921
-159	147	-1.19204
-158	147	-1.44441
-157	147	-1.77077
-156	147	-2.05878
-155	147	-2.41329
-154	147	-2.78841
-153	147	-3.18539
-152	147	-3.62979
-151	147	-4.09073
-150	147	-4.55653
-149	147	-5.03974
-148	147	-5.44393
-147	147	-5.77055
-146	147	-5.98617
-145	147	-6.05728
-144	147	-5.98285
-143	147	-5.69264
-142	147	-5.31467
-141	147	-4.86554
-140	147	-4.33619
-139	147	-3.82244
-138	147	-3.3614
-137	147	-2.93833
-136	147	-2.52689
-135	147	-2.25025
-134	147	-2.00524
-133	147	-1.83042
-132	147	-1.72516
-131	147	-1.69125
-130	147	-1.73181
-129	147	-1.86483
-128	147	-2.09366
-127	147	-2.42071
-126	147	-2.85428
-125	147	-3.40693
-124	147	-4.08542
-123	147	-4.89354
-122	147	-5.84039
-121	147	-6.92689
-120	147	-8.11493
-119	147	-9.29679
-118	147	-10.2293
-117	147	-10.5893
-116	147	-10.4243
-115	147	-9.8518
-114	147	-8.49187
-113	147	-7.14765
-112	147	-6.05234
-111	147	-5.13798
-110	147	-4.26529
-109	147	-3.81212
-108	147	-3.40302
-107	147	-3.15369
-106	147	-3.07097
-105	147	-3.1493
-104	147	-3.43025
-103	147	-3.87395
-102	147	-4.52006
-101	147	-5.41152
-100	147	-6.59884
-99	147	-8.17917
-98	147	-10.3023
-97	147	-13.3071
-96	147	-17.3271
-95	147	-22.7901
-94	147	-21.1638
-93	147	-15.9835

-92	147	-12.5917
-91	147	-10.1799
-90	147	-8.42043
-89	147	-7.11237
-88	147	-6.11506
-87	147	-5.38349
-86	147	-4.8661
-85	147	-4.83882
-84	147	-4.67303
-83	147	-4.62707
-82	147	-4.69474
-81	147	-4.97135
-80	147	-5.41102
-79	147	-6.08149
-78	147	-6.94784
-77	147	-8.08506
-76	147	-9.52689
-75	147	-11.2974
-74	147	-13.4386
-73	147	-15.5834
-72	147	-16.5842
-71	147	-15.4634
-70	147	-13.2428
-69	147	-11.0775
-68	147	-9.61518
-67	147	-7.6045
-66	147	-6.56837
-65	147	-5.71601
-64	147	-5.07208
-63	147	-4.5599
-62	147	-4.16787
-61	147	-3.89369
-60	147	-3.72425
-59	147	-3.66214
-58	147	-3.70306
-57	147	-3.84193
-56	147	-4.08139
-55	147	-4.42045
-54	147	-4.85131
-53	147	-5.38351
-52	147	-5.9746
-51	147	-6.67472
-50	147	-7.45135
-49	147	-8.20355
-48	147	-8.99526
-47	147	-9.63729
-46	147	-10.0122
-45	147	-10.037
-44	147	-9.70068
-43	147	-9.10359
-42	147	-8.21935
-41	147	-7.4977
-40	147	-6.76573
-39	147	-5.97026
-38	147	-5.20966
-37	147	-4.60355
-36	147	-3.97977
-35	147	-3.49721
-34	147	-3.09329
-33	147	-2.71968
-32	147	-2.38862
-31	147	-2.09547
-30	147	-1.8205
-29	147	-1.59364
-28	147	-1.388
-27	147	-1.2146
-26	147	-1.05181
-25	147	-0.93572
-24	147	-0.835973
-23	147	-0.750689
-22	147	-0.684912
-21	147	-0.640661
-20	147	-0.592488
-19	147	-0.566152
-18	147	-0.557865
-17	147	-0.529802
-16	147	-0.491332
-15	147	-0.495861
-14	147	-0.473172
-13	147	-0.460408
-12	147	-0.459622
-11	147	-0.455186
-10	147	-0.371772
-9	147	-0.450939
-8	147	-0.442607
-7	147	-0.427266
-6	147	-0.421134
-5	147	-0.432394
-4	147	-0.414507
-3	147	-0.364055
-2	147	-0.369313
-1	147	-0.312411
0	147	-0.292919
1	147	-0.179244
2	147	-0.246782
3	147	-0.225342
4	147	-0.20623

5	147	-0.190633
6	147	-0.18089
7	147	-0.17552
8	147	-0.180122
9	147	-0.193679
10	147	-0.212864
11	147	-0.243149
12	147	-0.286793
13	147	-0.342071
14	147	-0.411542
15	147	-0.507985
16	147	-0.622064
17	147	-0.749792
18	147	-0.895303
19	147	-1.07773
20	147	-1.27621
21	147	-1.50551
22	147	-1.76242
23	147	-2.02704
24	147	-2.36149
25	147	-2.73415
26	147	-3.14055
27	147	-3.61386
28	147	-4.09527
29	147	-4.59506
30	147	-5.1178
31	147	-5.63587
32	147	-6.15284
33	147	-6.67282
34	147	-6.93476
35	147	-7.03176
36	147	-6.95534
37	147	-6.71998
38	147	-6.3305
39	147	-5.74275
40	147	-5.10359
41	147	-4.57536
42	147	-4.0661
43	147	-3.59515
44	147	-3.21225
45	147	-2.80663
46	147	-2.48908
47	147	-2.25825
48	147	-2.05523
49	147	-2.02006
50	147	-2.03759
51	147	-2.15993
52	147	-2.37881
53	147	-2.68596
54	147	-3.08032
55	147	-3.58158
56	147	-4.19537
57	147	-4.95247
58	147	-5.90872
59	147	-7.04097
60	147	-8.36288
61	147	-9.7694
62	147	-11.172
63	147	-12.1231
64	147	-12.456
65	147	-11.5693
66	147	-10.0446
67	147	-8.54026
68	147	-7.34929
69	147	-6.34815
70	147	-5.50117
71	147	-4.80194
72	147	-4.37073
73	147	-4.13616
74	147	-3.94247
75	147	-3.97262
76	147	-4.125
77	147	-4.42883
78	147	-4.91349
79	147	-5.60211
80	147	-6.5166
81	147	-7.71416
82	147	-9.22556
83	147	-11.1989
84	147	-13.8862
85	147	-17.5772
86	147	-21.4424
87	147	-19.6601
88	147	-15.5226
89	147	-12.4543
90	147	-9.84126
91	147	-8.18667
92	147	-7.0096
93	147	-6.08734
94	147	-5.38111
95	147	-4.91449
96	147	-4.63447
97	147	-4.52706
98	147	-4.57816
99	147	-4.80035
100	147	-5.20489
101	147	-5.96623

102	147	-6.46963
103	147	-7.31386
104	147	-8.53959
105	147	-10.05666
106	147	-11.9154
107	147	-14.0582
108	147	-13.0573
109	147	-16.157
110	147	-14.5714
111	147	-12.4024
112	147	-10.7735
113	147	-8.68585
114	147	-7.47369
115	147	-6.38515
116	147	-5.65167
117	147	-5.06841
118	147	-4.5877
119	147	-4.25969
120	147	-4.0261
121	147	-3.9023
122	147	-3.87991
123	147	-3.95298
124	147	-4.12241
125	147	-4.38157
126	147	-4.7324
127	147	-5.16674
128	147	-5.67541
129	147	-6.24118
130	147	-6.88785
131	147	-7.57357
132	147	-8.25735
133	147	-8.89068
134	147	-9.37689
135	147	-9.58997
136	147	-9.45924
137	147	-9.08084
138	147	-8.57811
139	147	-7.81688
140	147	-7.07922
141	147	-6.34222
142	147	-5.61771
143	147	-4.96659
144	147	-4.39646
145	147	-3.90322
146	147	-3.38301
147	147	-2.95533
148	147	-2.55146
149	147	-2.18955
150	147	-1.89986
151	147	-1.66935
152	147	-1.43593
153	147	-1.24429
154	147	-1.06095
155	147	-0.929825
156	147	-0.81493
157	147	-0.71639
158	147	-0.575339
159	147	-0.505611
160	147	-0.452849
161	147	-0.405023
162	147	-0.364151
163	147	-0.332762
164	147	-0.309005
165	147	-0.280502
166	147	-0.248762
167	147	-0.224493
168	147	-0.216169
169	147	-0.213461
170	147	-0.20762
171	147	-0.199597
172	147	-0.185174
173	147	-0.169949
174	147	-0.154344
175	147	-0.134434
176	147	-0.11915
177	147	-0.0761874
178	147	-0.0593202
179	147	-0.0310434
180	147	-0.0145108
-180	148	-0.0408872
-179	148	-0.0386724
-178	148	-0.0429785
-177	148	-0.0484513
-176	148	-0.0589356
-175	148	-0.0748019
-174	148	-0.0983076
-173	148	-0.12929
-172	148	-0.169136
-171	148	-0.221581
-170	148	-0.276091
-169	148	-0.345478
-168	148	-0.427397
-167	148	-0.520262
-166	148	-0.622308
-165	148	-0.762119
-164	148	-0.913816
-163	148	-1.08334

-162	148	-1.27434
-161	148	-1.49884
-160	148	-1.75291
-159	148	-2.03298
-158	148	-2.36037
-157	148	-2.66848
-156	148	-3.03117
-155	148	-3.43235
-154	148	-3.87777
-153	148	-4.29608
-152	148	-4.69399
-151	148	-5.09622
-150	148	-5.45945
-149	148	-5.83661
-148	148	-6.00883
-147	148	-6.08269
-146	148	-5.99257
-145	148	-5.77548
-144	148	-5.41483
-143	148	-4.98896
-142	148	-4.54183
-141	148	-4.08706
-140	148	-3.65721
-139	148	-3.15855
-138	148	-2.84575
-137	148	-2.49303
-136	148	-2.2045
-135	148	-2.00032
-134	148	-1.86411
-133	148	-1.78514
-132	148	-1.75023
-131	148	-1.77548
-130	148	-1.87511
-129	148	-2.07846
-128	148	-2.38895
-127	148	-2.80542
-126	148	-3.33581
-125	148	-3.97835
-124	148	-4.74253
-123	148	-5.64601
-122	148	-6.69875
-121	148	-7.86366
-120	148	-9.06448
-119	148	-10.129
-118	148	-10.7654
-117	148	-10.9406
-116	148	-10.661
-115	148	-9.42371
-114	148	-8.04459
-113	148	-6.86457
-112	148	-5.83608
-111	148	-4.9109
-110	148	-4.26956
-109	148	-3.74728
-108	148	-3.3691
-107	148	-3.1628
-106	148	-3.10991
-105	148	-3.2356
-104	148	-3.53249
-103	148	-4.00056
-102	148	-4.64694
-101	148	-5.54682
-100	148	-6.76262
-99	148	-8.413
-98	148	-10.6771
-97	148	-13.4887
-96	148	-17.4155
-95	148	-22.8674
-94	148	-21.4837
-93	148	-16.4071
-92	148	-12.8818
-91	148	-10.4262
-90	148	-8.63037
-89	148	-7.29426
-88	148	-6.29252
-87	148	-5.53841
-86	148	-4.99332
-85	148	-4.94815
-84	148	-4.68942
-83	148	-4.59001
-82	148	-4.66196
-81	148	-4.86415
-80	148	-5.23404
-79	148	-5.66137
-78	148	-6.37355
-77	148	-7.32625
-76	148	-8.52519
-75	148	-10.0622
-74	148	-11.9167
-73	148	-14.0699
-72	148	-16.0181
-71	148	-16.3992
-70	148	-14.7843
-69	148	-12.6949
-68	148	-10.5963
-67	148	-9.18545
-66	148	-7.51109

-65	148	-6.45208
-64	148	-5.64075
-63	148	-5.01885
-62	148	-4.53725
-61	148	-4.16708
-60	148	-3.90225
-59	148	-3.73584
-58	148	-3.66968
-57	148	-3.69403
-56	148	-3.8123
-55	148	-4.019
-54	148	-4.31085
-53	148	-4.70129
-52	148	-5.17024
-51	148	-5.73139
-50	148	-6.38544
-49	148	-7.10761
-48	148	-7.81255
-47	148	-8.55259
-46	148	-9.21207
-45	148	-9.72501
-44	148	-9.99145
-43	148	-9.93454
-42	148	-9.58457
-41	148	-9.00918
-40	148	-8.30758
-39	148	-7.55779
-38	148	-6.81961
-37	148	-6.1225
-36	148	-5.43997
-35	148	-4.77347
-34	148	-4.23913
-33	148	-3.68786
-32	148	-3.25478
-31	148	-2.87856
-30	148	-2.54399
-29	148	-2.27443
-28	148	-2.02015
-27	148	-1.7776
-26	148	-1.58247
-25	148	-1.4046
-24	148	-1.23495
-23	148	-1.09304
-22	148	-0.991223
-21	148	-0.869812
-20	148	-0.789636
-19	148	-0.784002
-18	148	-0.799421
-17	148	-0.702438
-16	148	-0.563123
-15	148	-0.491243
-14	148	-0.49296
-13	148	-0.466057
-12	148	-0.440441
-11	148	-0.414228
-10	148	-0.391421
-9	148	-0.377435
-8	148	-0.376919
-7	148	-0.391307
-6	148	-0.383489
-5	148	-0.348213
-4	148	-0.314046
-3	148	-0.30398
-2	148	-0.298995
-1	148	-0.289983
0	148	-0.281223
1	148	-0.278499
2	148	-0.269765
3	148	-0.283358
4	148	-0.291094
5	148	-0.304792
6	148	-0.328731
7	148	-0.358678
8	148	-0.398797
9	148	-0.454061
10	148	-0.51136
11	148	-0.583482
12	148	-0.674723
13	148	-0.776054
14	148	-0.893712
15	148	-1.04018
16	148	-1.1993
17	148	-1.38489
18	148	-1.53627
19	148	-1.77529
20	148	-2.03864
21	148	-2.33213
22	148	-2.67328
23	148	-3.04641
24	148	-3.44517
25	148	-3.84808
26	148	-4.30878
27	148	-4.79657
28	148	-5.31203
29	148	-5.81173
30	148	-6.3714
31	148	-6.75593

32	148	-7.03548
33	148	-7.09638
34	148	-7.03976
35	148	-6.78468
36	148	-6.40919
37	148	-5.94202
38	148	-5.43134
39	148	-4.91757
40	148	-4.43505
41	148	-3.96111
42	148	-3.55075
43	148	-3.14112
44	148	-2.80553
45	148	-2.55613
46	148	-2.29323
47	148	-1.89932
48	148	-1.8115
49	148	-1.95137
50	148	-2.12531
51	148	-2.31548
52	148	-2.55645
53	148	-2.94712
54	148	-3.44524
55	148	-4.05471
56	148	-4.80748
57	148	-5.67882
58	148	-6.77413
59	148	-8.04304
60	148	-9.45756
61	148	-10.8645
62	148	-12.0803
63	148	-12.8145
64	148	-12.3787
65	148	-10.9606
66	148	-9.40982
67	148	-8.12396
68	148	-7.01466
69	148	-6.09389
70	148	-5.35006
71	148	-4.78134
72	148	-4.35606
73	148	-4.09905
74	148	-3.98782
75	148	-4.02929
76	148	-4.22523
77	148	-4.58925
78	148	-5.09684
79	148	-5.78525
80	148	-6.68456
81	148	-7.86379
82	148	-9.39649
83	148	-11.404
84	148	-14.1065
85	148	-17.8127
86	148	-21.6502
87	148	-20.0204
88	148	-15.9684
89	148	-12.8416
90	148	-10.1114
91	148	-8.44401
92	148	-7.17653
93	148	-6.24346
94	148	-5.52318
95	148	-5.02776
96	148	-4.77046
97	148	-4.55038
98	148	-4.54969
99	148	-4.69875
100	148	-4.99477
101	148	-5.37203
102	148	-6.01521
103	148	-6.86394
104	148	-7.81754
105	148	-9.1347
106	148	-10.7244
107	148	-12.6055
108	148	-14.6004
109	148	-16.0422
110	148	-15.7039
111	148	-13.972
112	148	-11.9076
113	148	-10.3703
114	148	-8.6069
115	148	-7.24815
116	148	-6.32317
117	148	-5.60135
118	148	-5.03533
119	148	-4.59129
120	148	-4.26298
121	148	-4.03879
122	148	-3.91349
123	148	-3.88486
124	148	-3.94628
125	148	-4.09397
126	148	-4.32533
127	148	-4.58702
128	148	-5.02637

129	148	-5.49527
130	148	-6.02708
131	148	-6.61539
132	148	-7.23521
133	148	-7.85823
134	148	-8.43613
135	148	-8.89913
136	148	-9.18326
137	148	-9.22006
138	148	-9.02754
139	148	-8.65543
140	148	-8.12509
141	148	-7.51364
142	148	-6.91858
143	148	-6.24757
144	148	-5.635
145	148	-5.05808
146	148	-4.52872
147	148	-4.04572
148	148	-3.60231
149	148	-3.14678
150	148	-2.78816
151	148	-2.42008
152	148	-2.13345
153	148	-1.86399
154	148	-1.64556
155	148	-1.44934
156	148	-1.27147
157	148	-1.11424
158	148	-0.977246
159	148	-0.844856
160	148	-0.745778
161	148	-0.661208
162	148	-0.529872
163	148	-0.462192
164	148	-0.39772
165	148	-0.340489
166	148	-0.297277
167	148	-0.273047
168	148	-0.246003
169	148	-0.217743
170	148	-0.192156
171	148	-0.173674
172	148	-0.154166
173	148	-0.136911
174	148	-0.116364
175	148	-0.116628
176	148	-0.076061
177	148	-0.0769412
178	148	-0.0516274
179	148	-0.0489976
180	148	-0.0408872
-180	149	-0.319286
-179	149	-0.331816
-178	149	-0.358498
-177	149	-0.38316
-176	149	-0.416818
-175	149	-0.457702
-174	149	-0.508044
-173	149	-0.565611
-172	149	-0.634734
-171	149	-0.714863
-170	149	-0.812061
-169	149	-0.916327
-168	149	-1.05029
-167	149	-1.18648
-166	149	-1.35878
-165	149	-1.5506
-164	149	-1.75727
-163	149	-1.98188
-162	149	-2.2357
-161	149	-2.49189
-160	149	-2.79597
-159	149	-3.11368
-158	149	-3.4497
-157	149	-3.8255
-156	149	-4.19245
-155	149	-4.57566
-154	149	-5.02285
-153	149	-5.39033
-152	149	-5.71249
-151	149	-5.94686
-150	149	-6.08193
-149	149	-6.09197
-148	149	-5.99201
-147	149	-5.77966
-146	149	-5.41231
-145	149	-5.03143
-144	149	-4.65606
-143	149	-4.23602
-142	149	-3.75028
-141	149	-3.39374
-140	149	-3.00858
-139	149	-2.64329
-138	149	-2.34637
-137	149	-2.11144
-136	149	-1.84433

-135	149	-1.68224
-134	149	-1.67686
-133	149	-1.70925
-132	149	-1.78134
-131	149	-1.92116
-130	149	-2.13702
-129	149	-2.44253
-128	149	-2.83366
-127	149	-3.33006
-126	149	-3.93896
-125	149	-4.66517
-124	149	-5.52104
-123	149	-6.51567
-122	149	-7.6401
-121	149	-8.84016
-120	149	-9.9872
-119	149	-10.8301
-118	149	-11.2188
-117	149	-11.1725
-116	149	-10.051
-115	149	-8.68068
-114	149	-7.46383
-113	149	-6.37548
-112	149	-5.45753
-111	149	-4.66599
-110	149	-4.12221
-109	149	-3.66313
-108	149	-3.37837
-107	149	-3.23113
-106	149	-3.22374
-105	149	-3.39801
-104	149	-3.72511
-103	149	-4.20798
-102	149	-4.89286
-101	149	-5.79906
-100	149	-6.97462
-99	149	-8.52461
-98	149	-10.9244
-97	149	-13.8631
-96	149	-18.0262
-95	149	-24.8648
-94	149	-22.2071
-93	149	-17.0646
-92	149	-13.3715
-91	149	-10.6551
-90	149	-8.74675
-89	149	-7.37725
-88	149	-6.34078
-87	149	-5.55428
-86	149	-4.99801
-85	149	-4.95789
-84	149	-4.68496
-83	149	-4.5563
-82	149	-4.57468
-81	149	-4.74448
-80	149	-5.08062
-79	149	-5.6675
-78	149	-6.19558
-77	149	-6.9464
-76	149	-7.96691
-75	149	-9.23086
-74	149	-10.8023
-73	149	-12.7305
-72	149	-14.8673
-71	149	-16.1707
-70	149	-15.9872
-69	149	-14.2398
-68	149	-12.1737
-67	149	-10.3026
-66	149	-8.91188
-65	149	-7.48307
-64	149	-6.42909
-63	149	-5.61849
-62	149	-4.99908
-61	149	-4.52514
-60	149	-4.1674
-59	149	-3.90556
-58	149	-3.74472
-57	149	-3.66941
-56	149	-3.68431
-55	149	-3.7847
-54	149	-3.96036
-53	149	-4.22154
-52	149	-4.56121
-51	149	-4.96281
-50	149	-5.46723
-49	149	-6.03075
-48	149	-6.67711
-47	149	-7.31565
-46	149	-8.01249
-45	149	-8.68486
-44	149	-9.27229
-43	149	-9.70754
-42	149	-9.89845
-41	149	-9.82223
-40	149	-9.51168
-39	149	-9.01069

-38	149	-8.39003
-37	149	-7.71301
-36	149	-7.02272
-35	149	-6.36519
-34	149	-5.76198
-33	149	-5.13905
-32	149	-4.63628
-31	149	-4.09938
-30	149	-3.68374
-29	149	-3.25616
-28	149	-2.91432
-27	149	-2.60859
-26	149	-2.3359
-25	149	-2.09149
-24	149	-1.87114
-23	149	-1.7164
-22	149	-1.55716
-21	149	-1.41641
-20	149	-1.29367
-19	149	-1.16198
-18	149	-1.0704
-17	149	-0.985601
-16	149	-0.90817
-15	149	-0.8362
-14	149	-0.789864
-13	149	-0.724229
-12	149	-0.679326
-11	149	-0.64324
-10	149	-0.628909
-9	149	-0.625053
-8	149	-0.595989
-7	149	-0.548175
-6	149	-0.513085
-5	149	-0.506867
-4	149	-0.508449
-3	149	-0.526077
-2	149	-0.510128
-1	149	-0.515361
0	149	-0.526209
1	149	-0.538701
2	149	-0.559197
3	149	-0.591016
4	149	-0.624793
5	149	-0.66968
6	149	-0.724487
7	149	-0.787714
8	149	-0.86515
9	149	-0.953785
10	149	-1.0565
11	149	-1.16395
12	149	-1.25603
13	149	-1.40805
14	149	-1.57071
15	149	-1.7673
16	149	-1.98724
17	149	-2.24334
18	149	-2.51388
19	149	-2.78839
20	149	-3.10548
21	149	-3.42938
22	149	-3.79965
23	149	-4.19896
24	149	-4.64099
25	149	-5.08755
26	149	-5.64871
27	149	-6.112
28	149	-6.55386
29	149	-6.86699
30	149	-7.08849
31	149	-7.16973
32	149	-7.09968
33	149	-6.90852
34	149	-6.55181
35	149	-6.11682
36	149	-5.63822
37	149	-5.1226
38	149	-4.61299
39	149	-4.12267
40	149	-3.69289
41	149	-3.26677
42	149	-2.89476
43	149	-2.59219
44	149	-2.33874
45	149	-2.14404
46	149	-2.01965
47	149	-2.00758
48	149	-2.03277
49	149	-2.11541
50	149	-2.29283
51	149	-2.59107
52	149	-2.95915
53	149	-3.32872
54	149	-3.91409
55	149	-4.6801
56	149	-5.53986
57	149	-6.55895
58	149	-7.739

59	149	-9.12937
60	149	-10.5442
61	149	-11.9262
62	149	-12.9789
63	149	-13.0388
64	149	-11.8076
65	149	-10.2279
66	149	-8.87555
67	149	-7.6872
68	149	-6.67829
69	149	-5.85129
70	149	-5.18966
71	149	-4.67071
72	149	-4.3371
73	149	-4.14455
74	149	-4.08808
75	149	-4.15152
76	149	-4.34886
77	149	-4.6834
78	149	-5.19353
79	149	-5.89992
80	149	-6.82806
81	149	-8.02345
82	149	-9.56374
83	149	-11.5598
84	149	-14.2217
85	149	-17.9382
86	149	-22.1532
87	149	-20.8121
88	149	-16.4991
89	149	-13.2484
90	149	-10.3712
91	149	-8.692
92	149	-7.40367
93	149	-6.41805
94	149	-5.67897
95	149	-5.12406
96	149	-4.77596
97	149	-4.56863
98	149	-4.50482
99	149	-4.6576
100	149	-4.89036
101	149	-5.24132
102	149	-5.71192
103	149	-6.39696
104	149	-7.28484
105	149	-8.2699
106	149	-9.65528
107	149	-11.3117
108	149	-13.2048
109	149	-15.0707
110	149	-16.1313
111	149	-15.4337
112	149	-13.5026
113	149	-11.6422
114	149	-10.1163
115	149	-8.57793
116	149	-7.2377
117	149	-6.27896
118	149	-5.60443
119	149	-5.04376
120	149	-4.60375
121	149	-4.27618
122	149	-4.04928
123	149	-3.91558
124	149	-3.87268
125	149	-3.91296
126	149	-4.03213
127	149	-4.22606
128	149	-4.49402
129	149	-4.83581
130	149	-5.24577
131	149	-5.71029
132	149	-6.23625
133	149	-6.79301
134	149	-7.35649
135	149	-7.91398
136	149	-8.40989
137	149	-8.74249
138	149	-9.01409
139	149	-9.04522
140	149	-8.87571
141	149	-8.52425
142	149	-8.04034
143	149	-7.58577
144	149	-6.95227
145	149	-6.38133
146	149	-5.82316
147	149	-5.29345
148	149	-4.79818
149	149	-4.40918
150	149	-3.93084
151	149	-3.53965
152	149	-3.18534
153	149	-2.80989
154	149	-2.52842
155	149	-2.24692

156	149	-2.01634
157	149	-1.78559
158	149	-1.6021
159	149	-1.44246
160	149	-1.29195
161	149	-1.15773
162	149	-1.05153
163	149	-0.948106
164	149	-0.865896
165	149	-0.759986
166	149	-0.690829
167	149	-0.633554
168	149	-0.52601
169	149	-0.482032
170	149	-0.445009
171	149	-0.415721
172	149	-0.390254
173	149	-0.365001
174	149	-0.360413
175	149	-0.315804
176	149	-0.329154
177	149	-0.303177
178	149	-0.308615
179	149	-0.309907
180	149	-0.319286
-180	150	-0.878668
-179	150	-0.905734
-178	150	-0.948909
-177	150	-0.985814
-176	150	-1.03956
-175	150	-1.10565
-174	150	-1.18637
-173	150	-1.27853
-172	150	-1.38495
-171	150	-1.5069
-170	150	-1.68417
-169	150	-1.81892
-168	150	-1.98847
-167	150	-2.17821
-166	150	-2.37549
-165	150	-2.60383
-164	150	-2.81539
-163	150	-3.1479
-162	150	-3.43445
-161	150	-3.74208
-160	150	-4.06544
-159	150	-4.38092
-158	150	-4.71975
-157	150	-5.05355
-156	150	-5.3724
-155	150	-5.71237
-154	150	-5.96052
-153	150	-6.09042
-152	150	-6.1607
-151	150	-6.19017
-150	150	-6.13199
-149	150	-5.8896
-148	150	-5.52554
-147	150	-5.17441
-146	150	-4.65941
-145	150	-4.22262
-144	150	-3.87045
-143	150	-3.52437
-142	150	-3.13933
-141	150	-2.79843
-140	150	-2.49673
-139	150	-2.23082
-138	150	-2.0128
-137	150	-1.85071
-136	150	-1.7406
-135	150	-1.69156
-134	150	-1.71106
-133	150	-1.78709
-132	150	-1.93209
-131	150	-2.15242
-130	150	-2.45572
-129	150	-2.838
-128	150	-3.31696
-127	150	-3.89278
-126	150	-4.58382
-125	150	-5.39454
-124	150	-6.33395
-123	150	-7.39559
-122	150	-8.53757
-121	150	-9.66935
-120	150	-10.8087
-119	150	-11.2513
-118	150	-11.1685
-117	150	-10.5862
-116	150	-9.29575
-115	150	-8.12728
-114	150	-6.9274
-113	150	-6.05007
-112	150	-5.21952
-111	150	-4.57009
-110	150	-4.03983
-109	150	-3.66417

-108	150	-3.42469
-107	150	-3.31793
-106	150	-3.38542
-105	150	-3.58699
-104	150	-3.92636
-103	150	-4.43789
-102	150	-5.13635
-101	150	-6.05888
-100	150	-7.24403
-99	150	-8.78984
-98	150	-11.3915
-97	150	-14.1707
-96	150	-18.2812
-95	150	-24.1475
-94	150	-22.3148
-93	150	-16.9072
-92	150	-13.3161
-91	150	-10.841
-90	150	-9.02839
-89	150	-7.64146
-88	150	-6.56021
-87	150	-5.73946
-86	150	-5.21934
-85	150	-5.23212
-84	150	-4.98696
-83	150	-4.69536
-82	150	-4.57869
-81	150	-4.65681
-80	150	-4.87951
-79	150	-5.25663
-78	150	-5.903
-77	150	-6.5805
-76	150	-7.5378
-75	150	-8.57881
-74	150	-9.83735
-73	150	-11.4808
-72	150	-13.3984
-71	150	-15.3274
-70	150	-16.4487
-69	150	-15.8606
-68	150	-14.056
-67	150	-12.0759
-66	150	-10.2844
-65	150	-8.86175
-64	150	-7.68511
-63	150	-6.52755
-62	150	-5.69601
-61	150	-5.09856
-60	150	-4.63864
-59	150	-4.26999
-58	150	-4.00383
-57	150	-3.82217
-56	150	-3.72108
-55	150	-3.7049
-54	150	-3.76515
-53	150	-3.90009
-52	150	-4.10607
-51	150	-4.38358
-50	150	-4.70816
-49	150	-5.14251
-48	150	-5.61715
-47	150	-6.17237
-46	150	-6.72999
-45	150	-7.35368
-44	150	-7.97814
-43	150	-8.58002
-42	150	-9.11451
-41	150	-9.50923
-40	150	-9.72741
-39	150	-9.73593
-38	150	-9.4825
-37	150	-9.10223
-36	150	-8.55506
-35	150	-8.00024
-34	150	-7.39
-33	150	-6.78964
-32	150	-6.21724
-31	150	-5.69719
-30	150	-5.19461
-29	150	-4.73035
-28	150	-4.28916
-27	150	-3.85789
-26	150	-3.51837
-25	150	-3.20643
-24	150	-2.87224
-23	150	-2.63325
-22	150	-2.4196
-21	150	-2.2321
-20	150	-2.06536
-19	150	-1.91737
-18	150	-1.78111
-17	150	-1.65643
-16	150	-1.54292
-15	150	-1.41282
-14	150	-1.32482
-13	150	-1.31461
-12	150	-1.26301

-11	150	-1.22325
-10	150	-1.16562
-9	150	-1.10794
-8	150	-0.990862
-7	150	-1.04736
-6	150	-1.03415
-5	150	-1.02061
-4	150	-1.01465
-3	150	-1.01596
-2	150	-1.02557
-1	150	-1.03977
0	150	-1.06374
1	150	-1.09413
2	150	-1.09701
3	150	-1.04051
4	150	-1.20448
5	150	-1.27907
6	150	-1.36641
7	150	-1.46358
8	150	-1.57605
9	150	-1.70359
10	150	-1.84995
11	150	-1.99812
12	150	-2.18133
13	150	-2.38329
14	150	-2.59905
15	150	-2.85075
16	150	-3.1223
17	150	-3.38762
18	150	-3.71293
19	150	-4.05487
20	150	-4.43491
21	150	-4.87339
22	150	-5.29939
23	150	-5.72721
24	150	-6.18973
25	150	-6.5889
26	150	-6.91957
27	150	-7.15736
28	150	-7.28038
29	150	-7.27561
30	150	-7.13577
31	150	-6.88008
32	150	-6.52639
33	150	-6.14113
34	150	-5.67145
35	150	-5.16058
36	150	-4.68076
37	150	-4.21586
38	150	-3.80887
39	150	-3.39986
40	150	-3.03591
41	150	-2.71409
42	150	-2.45113
43	150	-2.24538
44	150	-2.09888
45	150	-2.01103
46	150	-1.99377
47	150	-2.0289
48	150	-2.14137
49	150	-2.33281
50	150	-2.60586
51	150	-2.95061
52	150	-3.39636
53	150	-3.96612
54	150	-4.6518
55	150	-5.44175
56	150	-6.41661
57	150	-7.5995
58	150	-8.839
59	150	-10.0844
60	150	-11.9442
61	150	-13.0263
62	150	-13.5227
63	150	-12.5536
64	150	-11.002
65	150	-9.61026
66	150	-8.34084
67	150	-7.25435
68	150	-6.35579
69	150	-5.63698
70	150	-5.06427
71	150	-4.63898
72	150	-4.3365
73	150	-4.15998
74	150	-4.11404
75	150	-4.21209
76	150	-4.43571
77	150	-4.81977
78	150	-5.36495
79	150	-6.09241
80	150	-7.02171
81	150	-8.20587
82	150	-9.71754
83	150	-11.6758
84	150	-14.3222
85	150	-18.0472

86	150	-22.4449
87	150	-21.3252
88	150	-16.9351
89	150	-13.6362
90	150	-10.6553
91	150	-8.9416
92	150	-7.63496
93	150	-6.62117
94	150	-5.8581
95	150	-5.28155
96	150	-4.87241
97	150	-4.62866
98	150	-4.5128
99	150	-4.55683
100	150	-4.74333
101	150	-5.05444
102	150	-5.45528
103	150	-6.14156
104	150	-6.83164
105	150	-7.76282
106	150	-8.78204
107	150	-10.186
108	150	-11.8544
109	150	-13.7419
110	150	-15.5073
111	150	-16.2078
112	150	-15.251
113	150	-13.272
114	150	-11.493
115	150	-9.96268
116	150	-8.51192
117	150	-7.27556
118	150	-6.34114
119	150	-5.65906
120	150	-5.1167
121	150	-4.67839
122	150	-4.34439
123	150	-4.10402
124	150	-3.94917
125	150	-3.87736
126	150	-3.88043
127	150	-3.95932
128	150	-4.10717
129	150	-4.31972
130	150	-4.59489
131	150	-4.93072
132	150	-5.32337
133	150	-5.77731
134	150	-6.25041
135	150	-6.75859
136	150	-7.48039
137	150	-7.77294
138	150	-8.2141
139	150	-8.56194
140	150	-8.77495
141	150	-8.8251
142	150	-8.70839
143	150	-8.45864
144	150	-8.15166
145	150	-7.65855
146	150	-7.17576
147	150	-6.66465
148	150	-6.18356
149	150	-5.70417
150	150	-5.24139
151	150	-4.8531
152	150	-4.40457
153	150	-4.03988
154	150	-3.70659
155	150	-3.39752
156	150	-3.11165
157	150	-2.79848
158	150	-2.56605
159	150	-2.35876
160	150	-2.14541
161	150	-1.97071
162	150	-1.8162
163	150	-1.681
164	150	-1.55588
165	150	-1.44245
166	150	-1.33855
167	150	-1.25712
168	150	-1.18461
169	150	-1.12227
170	150	-1.07199
171	150	-1.03262
172	150	-0.99567
173	150	-0.983619
174	150	-0.924479
175	150	-0.908245
176	150	-0.825346
177	150	-0.830511
178	150	-0.840186
179	150	-0.855639
180	150	-0.878668
-180	151	-1.81678
-179	151	-1.85845

-178	151	-1.92266
-177	151	-1.98061
-176	151	-2.06198
-175	151	-2.15604
-174	151	-2.26402
-173	151	-2.3831
-172	151	-2.51771
-171	151	-2.64123
-170	151	-2.79652
-169	151	-2.99667
-168	151	-3.17629
-167	151	-3.39947
-166	151	-3.62983
-165	151	-3.87926
-164	151	-4.14958
-163	151	-4.43007
-162	151	-4.70487
-161	151	-5.05846
-160	151	-5.35108
-159	151	-5.58405
-158	151	-5.83284
-157	151	-6.11179
-156	151	-6.21181
-155	151	-6.22931
-154	151	-6.25783
-153	151	-6.11202
-152	151	-5.89798
-151	151	-5.62595
-150	151	-5.42157
-149	151	-5.08871
-148	151	-4.70467
-147	151	-4.33836
-146	151	-3.96123
-145	151	-3.58827
-144	151	-3.22875
-143	151	-2.89064
-142	151	-2.59022
-141	151	-2.32774
-140	151	-2.10846
-139	151	-1.93382
-138	151	-1.81148
-137	151	-1.74535
-136	151	-1.72471
-135	151	-1.75958
-134	151	-1.86197
-133	151	-2.01521
-132	151	-2.24723
-131	151	-2.56224
-130	151	-2.95401
-129	151	-3.42311
-128	151	-3.98987
-127	151	-4.6555
-126	151	-5.43558
-125	151	-6.34022
-124	151	-7.36613
-123	151	-8.47957
-122	151	-9.61575
-121	151	-10.8167
-120	151	-11.3923
-119	151	-11.5134
-118	151	-11.0984
-117	151	-9.84329
-116	151	-8.68107
-115	151	-7.48153
-114	151	-6.54463
-113	151	-5.67639
-112	151	-4.87893
-111	151	-4.37667
-110	151	-3.92041
-109	151	-3.59091
-108	151	-3.42257
-107	151	-3.37448
-106	151	-3.46988
-105	151	-3.70166
-104	151	-4.06484
-103	151	-4.60445
-102	151	-5.33728
-101	151	-6.30344
-100	151	-7.55873
-99	151	-9.18449
-98	151	-11.5505
-97	151	-14.3191
-96	151	-18.3761
-95	151	-23.9026
-94	151	-22.7834
-93	151	-17.2826
-92	151	-13.6534
-91	151	-11.1619
-90	151	-9.27991
-89	151	-7.88038
-88	151	-6.80525
-87	151	-5.95194
-86	151	-5.34095
-85	151	-5.28657
-84	151	-4.91349
-83	151	-4.69554
-82	151	-4.7941

-81	151	-4.61286
-80	151	-4.79391
-79	151	-5.11559
-78	151	-5.65646
-77	151	-6.44995
-76	151	-6.89738
-75	151	-7.81733
-74	151	-9.04306
-73	151	-10.4669
-72	151	-12.1183
-71	151	-13.9735
-70	151	-15.782
-69	151	-16.6862
-68	151	-15.8099
-67	151	-13.9667
-66	151	-12.0555
-65	151	-10.3742
-64	151	-8.92833
-63	151	-7.88562
-62	151	-6.81848
-61	151	-5.89775
-60	151	-5.27672
-59	151	-4.7856
-58	151	-4.39386
-57	151	-4.09882
-56	151	-3.89273
-55	151	-3.76304
-54	151	-3.70335
-53	151	-3.72187
-52	151	-3.80313
-51	151	-3.94859
-50	151	-4.16371
-49	151	-4.42113
-48	151	-4.78634
-47	151	-5.16909
-46	151	-5.62649
-45	151	-6.10811
-44	151	-6.65208
-43	151	-7.19213
-42	151	-7.77839
-41	151	-8.30689
-40	151	-8.80061
-39	151	-9.17486
-38	151	-9.42102
-37	151	-9.50602
-36	151	-9.41305
-35	151	-9.18435
-34	151	-8.82914
-33	151	-8.38759
-32	151	-7.90162
-31	151	-7.39403
-30	151	-6.88234
-29	151	-6.38026
-28	151	-5.90614
-27	151	-5.47152
-26	151	-5.06825
-25	151	-4.71726
-24	151	-4.37948
-23	151	-4.06876
-22	151	-3.77569
-21	151	-3.48648
-20	151	-3.26863
-19	151	-3.0728
-18	151	-2.84441
-17	151	-2.69127
-16	151	-2.56453
-15	151	-2.44396
-14	151	-2.33253
-13	151	-2.23451
-12	151	-2.10243
-11	151	-2.01188
-10	151	-1.94636
-9	151	-1.90257
-8	151	-1.84693
-7	151	-1.81819
-6	151	-1.7975
-5	151	-1.79384
-4	151	-1.82918
-3	151	-1.80594
-2	151	-1.82203
-1	151	-1.84398
0	151	-1.87742
1	151	-1.92002
2	151	-1.98695
3	151	-2.04819
4	151	-2.13448
5	151	-2.24002
6	151	-2.35794
7	151	-2.4887
8	151	-2.63795
9	151	-2.80313
10	151	-2.98258
11	151	-3.16277
12	151	-3.37281
13	151	-3.61692
14	151	-3.8876
15	151	-4.22645

16	151	-4.53863
17	151	-4.87494
18	151	-5.283
19	151	-5.65339
20	151	-6.01422
21	151	-6.36129
22	151	-6.68125
23	151	-6.97548
24	151	-7.19469
25	151	-7.34243
26	151	-7.39942
27	151	-7.32474
28	151	-7.14031
29	151	-6.85574
30	151	-6.48934
31	151	-6.06432
32	151	-5.59599
33	151	-5.12988
34	151	-4.61505
35	151	-4.22892
36	151	-3.84354
37	151	-3.45356
38	151	-3.10289
39	151	-2.79424
40	151	-2.53377
41	151	-2.31999
42	151	-2.15783
43	151	-2.04876
44	151	-1.99729
45	151	-1.99777
46	151	-2.06323
47	151	-2.18743
48	151	-2.37876
49	151	-2.65764
50	151	-3.01594
51	151	-3.4655
52	151	-4.01489
53	151	-4.66604
54	151	-5.44158
55	151	-6.3735
56	151	-7.45966
57	151	-8.68845
58	151	-10.0381
59	151	-11.717
60	151	-12.9647
61	151	-13.7281
62	151	-13.0878
63	151	-11.6781
64	151	-10.3072
65	151	-9.0743
66	151	-7.84134
67	151	-6.87403
68	151	-6.06412
69	151	-5.42198
70	151	-4.90036
71	151	-4.52703
72	151	-4.28449
73	151	-4.16681
74	151	-4.17394
75	151	-4.31378
76	151	-4.5711
77	151	-4.97807
78	151	-5.53582
79	151	-6.26529
80	151	-7.19929
81	151	-8.39256
82	151	-9.9104
83	151	-11.8883
84	151	-14.5354
85	151	-18.2476
86	151	-22.8877
87	151	-22.1152
88	151	-17.5192
89	151	-14.092
90	151	-10.9725
91	151	-9.21784
92	151	-7.8853
93	151	-6.84731
94	151	-6.04746
95	151	-5.44297
96	151	-4.99666
97	151	-4.71872
98	151	-4.58285
99	151	-4.57753
100	151	-4.71202
101	151	-4.95481
102	151	-5.33629
103	151	-5.8043
104	151	-6.42649
105	151	-7.25657
106	151	-8.29252
107	151	-9.40655
108	151	-10.7429
109	151	-12.4063
110	151	-14.2057
111	151	-15.8268
112	151	-16.2707

113	151	-14.8127
114	151	-13.2528
115	151	-11.5915
116	151	-9.96805
117	151	-8.63254
118	151	-7.49724
119	151	-6.48941
120	151	-5.79962
121	151	-5.2475
122	151	-4.79151
123	151	-4.43488
124	151	-4.16974
125	151	-3.99164
126	151	-3.87576
127	151	-3.84221
128	151	-3.87266
129	151	-3.96745
130	151	-4.1232
131	151	-4.33738
132	151	-4.60485
133	151	-4.92701
134	151	-5.29684
135	151	-5.68045
136	151	-6.13995
137	151	-6.59362
138	151	-7.05084
139	151	-7.49443
140	151	-7.89268
141	151	-8.21682
142	151	-8.44512
143	151	-8.56082
144	151	-8.55275
145	151	-8.40494
146	151	-8.28798
147	151	-7.84856
148	151	-7.4825
149	151	-7.08167
150	151	-6.65877
151	151	-6.2279
152	151	-5.80215
153	151	-5.43084
154	151	-5.04439
155	151	-4.71829
156	151	-4.40225
157	151	-4.11445
158	151	-3.85032
159	151	-3.6084
160	151	-3.38491
161	151	-3.1805
162	151	-2.99367
163	151	-2.76957
164	151	-2.61809
165	151	-2.47479
166	151	-2.33238
167	151	-2.18431
168	151	-2.08722
169	151	-2.00863
170	151	-1.9426
171	151	-1.8885
172	151	-1.86111
173	151	-1.78109
174	151	-1.78288
175	151	-1.75445
176	151	-1.74605
177	151	-1.75007
178	151	-1.7631
179	151	-1.78267
180	151	-1.81678
-180	152	-2.98548
-179	152	-3.03621
-178	152	-3.10883
-177	152	-3.17445
-176	152	-3.26974
-175	152	-3.38231
-174	152	-3.50907
-173	152	-3.65616
-172	152	-3.79356
-171	152	-4.02477
-170	152	-4.20632
-169	152	-4.44599
-168	152	-4.67103
-167	152	-4.85895
-166	152	-5.10866
-165	152	-5.31091
-164	152	-5.53522
-163	152	-5.81243
-162	152	-5.93106
-161	152	-6.10686
-160	152	-6.25677
-159	152	-6.34814
-158	152	-6.32911
-157	152	-6.3565
-156	152	-6.25417
-155	152	-6.09434
-154	152	-5.87878
-153	152	-5.61068
-152	152	-5.29947

-151	152	-4.96336
-150	152	-4.60925
-149	152	-4.24878
-148	152	-3.89045
-147	152	-3.53815
-146	152	-3.20419
-145	152	-2.91105
-144	152	-2.63845
-143	152	-2.39847
-142	152	-2.18971
-141	152	-2.01405
-140	152	-1.87663
-139	152	-1.78422
-138	152	-1.74347
-137	152	-1.74977
-136	152	-1.80953
-135	152	-1.92712
-134	152	-2.10753
-133	152	-2.34801
-132	152	-2.6648
-131	152	-3.05615
-130	152	-3.52784
-129	152	-4.08812
-128	152	-4.73685
-127	152	-5.48333
-126	152	-6.34394
-125	152	-7.31435
-124	152	-8.3827
-123	152	-9.48655
-122	152	-10.7262
-121	152	-11.5791
-120	152	-11.6229
-119	152	-11.2074
-118	152	-10.3108
-117	152	-9.0269
-116	152	-8.06134
-115	152	-7.01013
-114	152	-6.11642
-113	152	-5.35821
-112	152	-4.73099
-111	152	-4.20656
-110	152	-3.82421
-109	152	-3.57255
-108	152	-3.43589
-107	152	-3.45061
-106	152	-3.58143
-105	152	-3.82739
-104	152	-4.22064
-103	152	-4.77609
-102	152	-5.5213
-101	152	-6.52958
-100	152	-7.92112
-99	152	-9.77159
-98	152	-11.7991
-97	152	-14.574
-96	152	-18.4332
-95	152	-24.2756
-94	152	-23.1553
-93	152	-17.6442
-92	152	-13.9725
-91	152	-11.4362
-90	152	-9.56087
-89	152	-8.13319
-88	152	-7.02029
-87	152	-6.17905
-86	152	-5.51295
-85	152	-5.02066
-84	152	-5.09344
-83	152	-4.86393
-82	152	-4.66081
-81	152	-4.63305
-80	152	-4.72163
-79	152	-4.93761
-78	152	-5.28195
-77	152	-5.74983
-76	152	-6.48369
-75	152	-7.16624
-74	152	-8.10211
-73	152	-9.3629
-72	152	-10.8432
-71	152	-12.9615
-70	152	-14.5601
-69	152	-16.2118
-68	152	-16.782
-67	152	-15.7718
-66	152	-13.9309
-65	152	-12.0636
-64	152	-10.4006
-63	152	-8.97249
-62	152	-7.97001
-61	152	-6.9287
-60	152	-6.06962
-59	152	-5.41523
-58	152	-4.91877
-57	152	-4.53693
-56	152	-4.20923
-55	152	-3.9673

-54	152	-3.80045
-53	152	-3.70244
-52	152	-3.67215
-51	152	-3.70521
-50	152	-3.80378
-49	152	-3.95822
-48	152	-4.14485
-47	152	-4.43639
-46	152	-4.72254
-45	152	-5.0811
-44	152	-5.45333
-43	152	-5.88902
-42	152	-6.3542
-41	152	-6.83947
-40	152	-7.33936
-39	152	-7.83346
-38	152	-8.28442
-37	152	-8.67962
-36	152	-8.98869
-35	152	-9.18748
-34	152	-9.26025
-33	152	-9.20792
-32	152	-9.04109
-31	152	-8.78459
-30	152	-8.44872
-29	152	-8.06304
-28	152	-7.66357
-27	152	-7.26022
-26	152	-6.85332
-25	152	-6.4621
-24	152	-6.08935
-23	152	-5.73787
-22	152	-5.41361
-21	152	-5.12716
-20	152	-4.87806
-19	152	-4.65899
-18	152	-4.45571
-17	152	-4.25314
-16	152	-4.05006
-15	152	-3.84114
-14	152	-3.66766
-13	152	-3.5493
-12	152	-3.4703
-11	152	-3.32073
-10	152	-3.21325
-9	152	-3.14699
-8	152	-3.04123
-7	152	-3.00313
-6	152	-2.96857
-5	152	-2.96015
-4	152	-2.96395
-3	152	-2.98157
-2	152	-3.01374
-1	152	-3.05639
0	152	-3.08943
1	152	-3.15862
2	152	-3.25372
3	152	-3.31914
4	152	-3.437
5	152	-3.6353
6	152	-3.75111
7	152	-3.99365
8	152	-4.15772
9	152	-4.35805
10	152	-4.57316
11	152	-4.81626
12	152	-5.0753
13	152	-5.32947
14	152	-5.61303
15	152	-5.94094
16	152	-6.22405
17	152	-6.52744
18	152	-6.8158
19	152	-7.07336
20	152	-7.28012
21	152	-7.44163
22	152	-7.52079
23	152	-7.51795
24	152	-7.43623
25	152	-7.2602
26	152	-7.00219
27	152	-6.67491
28	152	-6.29462
29	152	-5.88162
30	152	-5.44874
31	152	-5.0122
32	152	-4.58086
33	152	-4.16728
34	152	-3.84338
35	152	-3.45508
36	152	-3.12858
37	152	-2.83711
38	152	-2.58293
39	152	-2.37201
40	152	-2.20749
41	152	-2.08959
42	152	-2.0215

43	152	-1.99578
44	152	-2.03148
45	152	-2.1164
46	152	-2.26225
47	152	-2.4765
48	152	-2.76505
49	152	-3.1303
50	152	-3.57813
51	152	-4.1257
52	152	-4.7708
53	152	-5.52167
54	152	-6.41208
55	152	-7.44726
56	152	-8.64592
57	152	-9.94322
58	152	-11.6158
59	152	-13.1063
60	152	-13.8099
61	152	-13.2557
62	152	-12.195
63	152	-10.8325
64	152	-9.50909
65	152	-8.33428
66	152	-7.30052
67	152	-6.4462
68	152	-5.75772
69	152	-5.16926
70	152	-4.78746
71	152	-4.4408
72	152	-4.25808
73	152	-4.19311
74	152	-4.25413
75	152	-4.40897
76	152	-4.6973
77	152	-5.12689
78	152	-5.70741
79	152	-6.45987
80	152	-7.41343
81	152	-8.61109
82	152	-10.1318
83	152	-12.0962
84	152	-14.7233
85	152	-18.4306
86	152	-23.2982
87	152	-22.9061
88	152	-18.1125
89	152	-14.5801
90	152	-11.3339
91	152	-9.55915
92	152	-8.19616
93	152	-7.13121
94	152	-6.29645
95	152	-5.65987
96	152	-5.18913
97	152	-4.86483
98	152	-4.67596
99	152	-4.6045
100	152	-4.66593
101	152	-4.84602
102	152	-5.13661
103	152	-5.51068
104	152	-6.07099
105	152	-6.74063
106	152	-7.61749
107	152	-8.64335
108	152	-9.72466
109	152	-11.2302
110	152	-12.8946
111	152	-14.7433
112	152	-16.2635
113	152	-16.5327
114	152	-15.1019
115	152	-13.317
116	152	-11.6575
117	152	-10.1151
118	152	-8.80921
119	152	-7.67563
120	152	-6.69373
121	152	-5.94356
122	152	-5.36918
123	152	-4.92483
124	152	-4.48927
125	152	-4.2494
126	152	-4.03383
127	152	-3.88724
128	152	-3.80949
129	152	-3.79481
130	152	-3.83789
131	152	-3.93564
132	152	-4.08588
133	152	-4.2844
134	152	-4.53475
135	152	-4.79889
136	152	-5.13755
137	152	-5.49198
138	152	-5.88884
139	152	-6.27352

140	152	-6.6783
141	152	-7.07407
142	152	-7.43784
143	152	-7.76785
144	152	-8.03363
145	152	-8.20443
146	152	-8.30265
147	152	-8.35381
148	152	-8.24858
149	152	-8.05186
150	152	-7.80484
151	152	-7.51144
152	152	-7.19785
153	152	-6.87429
154	152	-6.53756
155	152	-6.19003
156	152	-5.93474
157	152	-5.59445
158	152	-5.30933
159	152	-5.04182
160	152	-4.79377
161	152	-4.56401
162	152	-4.35212
163	152	-4.15803
164	152	-3.9819
165	152	-3.80632
166	152	-3.68869
167	152	-3.56455
168	152	-3.45646
169	152	-3.36113
170	152	-3.27851
171	152	-3.2342
172	152	-3.11479
173	152	-3.13666
174	152	-3.01993
175	152	-2.9807
176	152	-2.94385
177	152	-2.95146
178	152	-2.9142
179	152	-2.94366
180	152	-2.98548
-180	153	-4.61082
-179	153	-4.66966
-178	153	-4.74151
-177	153	-4.8006
-176	153	-4.89933
-175	153	-5.0177
-174	153	-5.13417
-173	153	-5.25175
-172	153	-5.41725
-171	153	-5.57528
-170	153	-5.69312
-169	153	-5.90863
-168	153	-5.98597
-167	153	-6.10347
-166	153	-6.29035
-165	153	-6.4071
-164	153	-6.54996
-163	153	-6.55272
-162	153	-6.56512
-161	153	-6.54764
-160	153	-6.47925
-159	153	-6.34233
-158	153	-6.21279
-157	153	-5.95151
-156	153	-5.7015
-155	153	-5.41372
-154	153	-5.10265
-153	153	-4.77803
-152	153	-4.4467
-151	153	-4.11161
-150	153	-3.78322
-149	153	-3.46654
-148	153	-3.16572
-147	153	-2.8835
-146	153	-2.62369
-145	153	-2.3968
-144	153	-2.19774
-143	153	-2.04404
-142	153	-1.91525
-141	153	-1.82867
-140	153	-1.78524
-139	153	-1.7837
-138	153	-1.82406
-137	153	-1.90831
-136	153	-2.049
-135	153	-2.23906
-134	153	-2.49471
-133	153	-2.82316
-132	153	-3.22059
-131	153	-3.69981
-130	153	-4.26037
-129	153	-4.90653
-128	153	-5.63795
-127	153	-6.47713
-126	153	-7.41093
-125	153	-8.43473

-124	153	-9.66729
-123	153	-10.6341
-122	153	-11.5949
-121	153	-11.7219
-120	153	-11.4758
-119	153	-10.4882
-118	153	-9.56587
-117	153	-8.46167
-116	153	-7.43849
-115	153	-6.52158
-114	153	-5.73321
-113	153	-5.04904
-112	153	-4.52067
-111	153	-4.09404
-110	153	-3.7791
-109	153	-3.57435
-108	153	-3.50662
-107	153	-3.55491
-106	153	-3.71251
-105	153	-4.00014
-104	153	-4.42348
-103	153	-4.99767
-102	153	-5.73775
-101	153	-6.67757
-100	153	-8.49413
-99	153	-10.0495
-98	153	-12.0841
-97	153	-14.8428
-96	153	-18.7249
-95	153	-24.5268
-94	153	-23.7772
-93	153	-17.9975
-92	153	-14.2895
-91	153	-11.7364
-90	153	-9.83632
-89	153	-8.37452
-88	153	-7.30075
-87	153	-6.48208
-86	153	-5.73446
-85	153	-5.20156
-84	153	-5.23809
-83	153	-4.9275
-82	153	-4.73674
-81	153	-4.6685
-80	153	-4.71747
-79	153	-4.85025
-78	153	-5.10959
-77	153	-5.49776
-76	153	-5.965
-75	153	-6.72876
-74	153	-7.41839
-73	153	-8.42288
-72	153	-9.60517
-71	153	-11.0417
-70	153	-12.7218
-69	153	-14.5371
-68	153	-16.3234
-67	153	-17.0505
-66	153	-15.399
-65	153	-13.3523
-64	153	-12.1782
-63	153	-10.6237
-62	153	-9.2669
-61	153	-8.12286
-60	153	-7.21743
-59	153	-6.37421
-58	153	-5.58696
-57	153	-5.06432
-56	153	-4.65442
-55	153	-4.31074
-54	153	-4.05132
-53	153	-3.83921
-52	153	-3.71159
-51	153	-3.62104
-50	153	-3.60314
-49	153	-3.63156
-48	153	-3.71527
-47	153	-3.85685
-46	153	-4.04972
-45	153	-4.26955
-44	153	-4.5373
-43	153	-4.82774
-42	153	-5.17031
-41	153	-5.54183
-40	153	-5.94156
-39	153	-6.36391
-38	153	-6.79713
-37	153	-7.23189
-36	153	-7.65323
-35	153	-8.03592
-34	153	-8.37409
-33	153	-8.6562
-32	153	-8.87798
-31	153	-9.00642
-30	153	-9.0343
-29	153	-8.98081
-28	153	-8.85275

-27	153	-8.65054
-26	153	-8.41233
-25	153	-8.14732
-24	153	-7.87072
-23	153	-7.58955
-22	153	-7.30814
-21	153	-7.03125
-20	153	-6.75939
-19	153	-6.49477
-18	153	-6.24231
-17	153	-6.00524
-16	153	-5.78409
-15	153	-5.57776
-14	153	-5.39664
-13	153	-5.2422
-12	153	-5.10239
-11	153	-5.0524
-10	153	-4.87722
-9	153	-4.80939
-8	153	-4.74242
-7	153	-4.69007
-6	153	-4.64357
-5	153	-4.63335
-4	153	-4.63544
-3	153	-4.65869
-2	153	-4.69669
-1	153	-4.74038
0	153	-4.805
1	153	-4.88727
2	153	-4.99259
3	153	-5.09831
4	153	-5.24084
5	153	-5.40243
6	153	-5.59936
7	153	-5.76435
8	153	-5.95691
9	153	-6.15691
10	153	-6.36354
11	153	-6.58416
12	153	-6.80797
13	153	-7.00473
14	153	-7.20965
15	153	-7.39621
16	153	-7.56127
17	153	-7.66194
18	153	-7.72411
19	153	-7.73435
20	153	-7.65587
21	153	-7.52831
22	153	-7.31816
23	153	-7.0293
24	153	-6.73206
25	153	-6.37746
26	153	-5.99603
27	153	-5.60052
28	153	-5.20288
29	153	-4.80206
30	153	-4.41297
31	153	-4.06939
32	153	-3.7132
33	153	-3.37867
34	153	-3.10007
35	153	-2.81772
36	153	-2.58104
37	153	-2.39816
38	153	-2.24082
39	153	-2.12263
40	153	-2.04532
41	153	-2.01245
42	153	-1.99723
43	153	-2.09825
44	153	-2.20996
45	153	-2.38583
46	153	-2.62494
47	153	-2.93007
48	153	-3.31088
49	153	-3.76936
50	153	-4.31132
51	153	-4.94631
52	153	-5.69474
53	153	-6.57703
54	153	-7.59515
55	153	-8.75813
56	153	-10.1847
57	153	-11.5214
58	153	-13.1503
59	153	-13.9062
60	153	-13.458
61	153	-12.5131
62	153	-11.2155
63	153	-9.93089
64	153	-8.73756
65	153	-7.67729
66	153	-6.79577
67	153	-6.05685
68	153	-5.42692
69	153	-4.95893

70	153	-4.61662
71	153	-4.37083
72	153	-4.24369
73	153	-4.2227
74	153	-4.2873
75	153	-4.55034
76	153	-4.8428
77	153	-5.29387
78	153	-5.89492
79	153	-6.66055
80	153	-7.61295
81	153	-8.80365
82	153	-10.3179
83	153	-12.2719
84	153	-14.8762
85	153	-18.5528
86	153	-23.5999
87	153	-23.7871
88	153	-18.7946
89	153	-15.1249
90	153	-11.7169
91	153	-9.90289
92	153	-8.5091
93	153	-7.42119
94	153	-6.56436
95	153	-5.89811
96	153	-5.38907
97	153	-5.01948
98	153	-4.78007
99	153	-4.66071
100	153	-4.65921
101	153	-4.77235
102	153	-4.9905
103	153	-5.32664
104	153	-5.79377
105	153	-6.27716
106	153	-6.97801
107	153	-7.87068
108	153	-8.90144
109	153	-10.0189
110	153	-11.5003
111	153	-13.1509
112	153	-14.9882
113	153	-16.9749
114	153	-16.3488
115	153	-14.825
116	153	-13.4505
117	153	-11.8189
118	153	-10.3271
119	153	-8.91094
120	153	-7.9122
121	153	-7.00763
122	153	-6.14091
123	153	-5.5056
124	153	-5.07849
125	153	-4.66834
126	153	-4.34236
127	153	-4.08854
128	153	-3.90104
129	153	-3.77529
130	153	-3.70953
131	153	-3.69786
132	153	-3.73814
133	153	-3.82759
134	153	-3.95668
135	153	-4.12703
136	153	-4.34009
137	153	-4.58713
138	153	-4.86834
139	153	-5.17709
140	153	-5.50725
141	153	-5.85317
142	153	-6.19741
143	153	-6.54899
144	153	-6.88297
145	153	-7.18179
146	153	-7.46339
147	153	-7.68697
148	153	-7.85539
149	153	-8.09862
150	153	-8.03852
151	153	-8.01745
152	153	-7.94325
153	153	-7.81772
154	153	-7.65907
155	153	-7.46755
156	153	-7.25938
157	153	-7.04584
158	153	-6.82613
159	153	-6.5794
160	153	-6.34502
161	153	-6.12753
162	153	-5.9185
163	153	-5.72144
164	153	-5.53314
165	153	-5.35313
166	153	-5.1936

167	153	-5.06086
168	153	-4.94493
169	153	-4.84101
170	153	-4.77658
171	153	-4.65383
172	153	-4.61494
173	153	-4.5937
174	153	-4.51889
175	153	-4.50179
176	153	-4.49447
177	153	-4.50332
178	153	-4.52756
179	153	-4.56117
180	153	-4.61082
-180	154	-6.15174
-179	154	-6.19364
-178	154	-6.21177
-177	154	-6.30217
-176	154	-6.33525
-175	154	-6.38117
-174	154	-6.50775
-173	154	-6.5018
-172	154	-6.6167
-171	154	-6.66473
-170	154	-6.85268
-169	154	-6.77698
-168	154	-6.79084
-167	154	-6.79724
-166	154	-6.77095
-165	154	-6.71598
-164	154	-6.62668
-163	154	-6.48775
-162	154	-6.31354
-161	154	-6.12022
-160	154	-5.9005
-159	154	-5.65408
-158	154	-5.36961
-157	154	-5.08768
-156	154	-4.77879
-155	154	-4.4769
-154	154	-4.18945
-153	154	-3.88798
-152	154	-3.59385
-151	154	-3.31398
-150	154	-3.04931
-149	154	-2.80271
-148	154	-2.5783
-147	154	-2.37677
-146	154	-2.20048
-145	154	-2.05395
-144	154	-1.94122
-143	154	-1.85906
-142	154	-1.81277
-141	154	-1.80521
-140	154	-1.84409
-139	154	-1.91914
-138	154	-2.04431
-137	154	-2.22382
-136	154	-2.45271
-135	154	-2.73569
-134	154	-3.07521
-133	154	-3.48481
-132	154	-3.96671
-131	154	-4.52744
-130	154	-5.17135
-129	154	-5.90447
-128	154	-6.72905
-127	154	-7.64048
-126	154	-8.62016
-125	154	-9.77284
-124	154	-10.9226
-123	154	-11.6189
-122	154	-11.8763
-121	154	-11.4087
-120	154	-10.8169
-119	154	-9.83874
-118	154	-8.78512
-117	154	-7.76811
-116	154	-6.84732
-115	154	-6.04695
-114	154	-5.34372
-113	154	-4.80861
-112	154	-4.34816
-111	154	-3.99867
-110	154	-3.751
-109	154	-3.61977
-108	154	-3.59372
-107	154	-3.6674
-106	154	-3.86025
-105	154	-4.1803
-104	154	-4.65193
-103	154	-5.28751
-102	154	-6.0973
-101	154	-7.54263
-100	154	-8.76196
-99	154	-10.3329
-98	154	-12.3688

-97	154	-14.9664
-96	154	-18.9899
-95	154	-24.7326
-94	154	-24.0008
-93	154	-18.2548
-92	154	-14.7042
-91	154	-12.1956
-90	154	-10.166
-89	154	-8.67188
-88	154	-7.52885
-87	154	-6.63421
-86	154	-5.93194
-85	154	-5.39342
-84	154	-5.43608
-83	154	-5.07048
-82	154	-4.83633
-81	154	-4.71519
-80	154	-4.70248
-79	154	-4.79715
-78	154	-4.9635
-77	154	-5.25766
-76	154	-5.66921
-75	154	-6.20218
-74	154	-6.9526
-73	154	-7.69007
-72	154	-8.66956
-71	154	-9.84476
-70	154	-11.2418
-69	154	-12.8654
-68	154	-14.6435
-67	154	-16.2225
-66	154	-16.8409
-65	154	-15.9969
-64	154	-14.3221
-63	154	-12.5893
-62	154	-10.886
-61	154	-9.52982
-60	154	-8.22336
-59	154	-7.40572
-58	154	-6.5726
-57	154	-5.8384
-56	154	-5.22473
-55	154	-4.78425
-54	154	-4.42292
-53	154	-4.1184
-52	154	-3.87789
-51	154	-3.69795
-50	154	-3.57389
-49	154	-3.50259
-48	154	-3.48325
-47	154	-3.49997
-46	154	-3.59148
-45	154	-3.70483
-44	154	-3.86306
-43	154	-4.05009
-42	154	-4.2585
-41	154	-4.50897
-40	154	-4.7879
-39	154	-5.09466
-38	154	-5.43022
-37	154	-5.78629
-36	154	-6.15285
-35	154	-6.51824
-34	154	-6.88634
-33	154	-7.24585
-32	154	-7.57957
-31	154	-7.88022
-30	154	-8.14567
-29	154	-8.37126
-28	154	-8.54493
-27	154	-8.68754
-26	154	-8.78043
-25	154	-8.82072
-24	154	-8.80811
-23	154	-8.73505
-22	154	-8.61939
-21	154	-8.47358
-20	154	-8.31059
-19	154	-8.14532
-18	154	-7.98419
-17	154	-7.81403
-16	154	-7.64972
-15	154	-7.47367
-14	154	-7.30968
-13	154	-7.16278
-12	154	-7.02194
-11	154	-6.90039
-10	154	-6.87946
-9	154	-6.70252
-8	154	-6.64944
-7	154	-6.60607
-6	154	-6.58487
-5	154	-6.53918
-4	154	-6.54363
-3	154	-6.55925
-2	154	-6.58962
-1	154	-6.6296

0	154	-6.687
1	154	-6.75695
2	154	-6.83882
3	154	-6.94028
4	154	-7.03351
5	154	-7.15137
6	154	-7.27781
7	154	-7.4509
8	154	-7.52303
9	154	-7.63096
10	154	-7.72796
11	154	-7.81904
12	154	-7.88512
13	154	-7.9116
14	154	-7.90475
15	154	-7.86613
16	154	-7.78181
17	154	-7.63202
18	154	-7.43351
19	154	-7.19803
20	154	-6.94447
21	154	-6.63744
22	154	-6.30209
23	154	-5.94451
24	154	-5.57353
25	154	-5.20975
26	154	-4.86529
27	154	-4.51041
28	154	-4.19502
29	154	-3.86504
30	154	-3.55276
31	154	-3.26292
32	154	-2.99806
33	154	-2.75947
34	154	-2.53341
35	154	-2.37738
36	154	-2.2374
37	154	-2.13054
38	154	-2.06056
39	154	-2.03018
40	154	-2.05319
41	154	-2.03791
42	154	-2.21127
43	154	-2.36077
44	154	-2.56701
45	154	-2.82788
46	154	-3.15417
47	154	-3.55536
48	154	-4.03538
49	154	-4.59519
50	154	-5.24732
51	154	-6.00138
52	154	-6.8747
53	154	-7.87258
54	154	-9.00782
55	154	-10.3356
56	154	-11.916
57	154	-13.2159
58	154	-13.6593
59	154	-13.5454
60	154	-12.7236
61	154	-11.5385
62	154	-10.2627
63	154	-9.02142
64	154	-7.95697
65	154	-7.05792
66	154	-6.31013
67	154	-5.67501
68	154	-5.18129
69	154	-4.78708
70	154	-4.49558
71	154	-4.32317
72	154	-4.24282
73	154	-4.24814
74	154	-4.38409
75	154	-4.62336
76	154	-4.97462
77	154	-5.45653
78	154	-6.04621
79	154	-6.80278
80	154	-7.83784
81	154	-8.98515
82	154	-10.4886
83	154	-12.421
84	154	-14.9751
85	154	-18.5714
86	154	-23.6738
87	154	-24.681
88	154	-19.5515
89	154	-14.633
90	154	-12.1299
91	154	-10.2798
92	154	-8.85148
93	154	-7.72835
94	154	-6.84163
95	154	-6.14081
96	154	-5.59116

97	154	-5.16548
98	154	-4.88418
99	154	-4.71761
100	154	-4.66027
101	154	-4.71894
102	154	-4.87482
103	154	-5.14037
104	154	-5.53524
105	154	-5.94813
106	154	-6.53888
107	154	-7.26918
108	154	-8.16174
109	154	-9.21428
110	154	-10.3127
111	154	-11.7713
112	154	-13.7968
113	154	-15.166
114	154	-16.5893
115	154	-16.8124
116	154	-15.1708
117	154	-13.654
118	154	-12.0245
119	154	-10.4144
120	154	-9.20463
121	154	-8.21766
122	154	-7.25109
123	154	-6.42074
124	154	-5.75948
125	154	-5.24594
126	154	-4.83146
127	154	-4.46761
128	154	-4.17435
129	154	-3.94502
130	154	-3.77774
131	154	-3.66662
132	154	-3.60889
133	154	-3.59147
134	154	-3.61493
135	154	-3.682
136	154	-3.78768
137	154	-3.92965
138	154	-4.09934
139	154	-4.29993
140	154	-4.5286
141	154	-4.77912
142	154	-5.0517
143	154	-5.34409
144	154	-5.63605
145	154	-5.93918
146	154	-6.24802
147	154	-6.53745
148	154	-6.82304
149	154	-7.08221
150	154	-7.28112
151	154	-7.59371
152	154	-7.65116
153	154	-7.74537
154	154	-7.82229
155	154	-7.85039
156	154	-7.84104
157	154	-7.79468
158	154	-7.72333
159	154	-7.62907
160	154	-7.53723
161	154	-7.41543
162	154	-7.27978
163	154	-7.12502
164	154	-6.99215
165	154	-6.85096
166	154	-6.72524
167	154	-6.61386
168	154	-6.50987
169	154	-6.44205
170	154	-6.31346
171	154	-6.24149
172	154	-6.24423
173	154	-6.16566
174	154	-6.11366
175	154	-6.0907
176	154	-6.08265
177	154	-6.08482
178	154	-6.09947
179	154	-6.12063
180	154	-6.15174
-180	155	-7.16359
-179	155	-7.17782
-178	155	-7.08661
-177	155	-7.12674
-176	155	-7.0891
-175	155	-7.21151
-174	155	-7.07564
-173	155	-7.03294
-172	155	-6.98486
-171	155	-6.91509
-170	155	-6.80545
-169	155	-6.71319
-168	155	-6.60753

-167	155	-6.45936
-166	155	-6.27803
-165	155	-6.10195
-164	155	-5.90337
-163	155	-5.67635
-162	155	-5.42983
-161	155	-5.17388
-160	155	-4.91172
-159	155	-4.65496
-158	155	-4.3999
-157	155	-4.11944
-156	155	-3.84903
-155	155	-3.5895
-154	155	-3.33579
-153	155	-3.11376
-152	155	-2.89045
-151	155	-2.68453
-150	155	-2.49594
-149	155	-2.32834
-148	155	-2.18396
-147	155	-2.06497
-146	155	-1.97122
-145	155	-1.90515
-144	155	-1.87159
-143	155	-1.86961
-142	155	-1.90376
-141	155	-1.97739
-140	155	-2.09165
-139	155	-2.25403
-138	155	-2.45584
-137	155	-2.70617
-136	155	-3.00532
-135	155	-3.37435
-134	155	-3.81125
-133	155	-4.32231
-132	155	-4.90873
-131	155	-5.56089
-130	155	-6.29608
-129	155	-7.1075
-128	155	-8.01703
-127	155	-9.13024
-126	155	-10.2526
-125	155	-11.1601
-124	155	-11.5942
-123	155	-11.6924
-122	155	-11.6802
-121	155	-10.9254
-120	155	-10.0126
-119	155	-8.98636
-118	155	-7.99763
-117	155	-7.09616
-116	155	-6.30702
-115	155	-5.64114
-114	155	-5.04955
-113	155	-4.57867
-112	155	-4.20019
-111	155	-3.91734
-110	155	-3.73167
-109	155	-3.67007
-108	155	-3.67944
-107	155	-3.78503
-106	155	-3.9979
-105	155	-4.33486
-104	155	-4.80692
-103	155	-5.48971
-102	155	-6.43201
-101	155	-7.79637
-100	155	-9.0354
-99	155	-10.6101
-98	155	-12.5773
-97	155	-15.2856
-96	155	-18.9396
-95	155	-24.7684
-94	155	-24.6568
-93	155	-18.7391
-92	155	-14.9706
-91	155	-12.3858
-90	155	-10.4585
-89	155	-8.97278
-88	155	-7.7941
-87	155	-6.8655
-86	155	-6.14005
-85	155	-5.57273
-84	155	-5.63113
-83	155	-5.24885
-82	155	-4.97203
-81	155	-4.80639
-80	155	-4.74531
-79	155	-4.77575
-78	155	-4.91372
-77	155	-5.14727
-76	155	-5.43668
-75	155	-5.86826
-74	155	-6.41102
-73	155	-7.0993
-72	155	-7.97843
-71	155	-8.88955

-70	155	-9.96205
-69	155	-11.4094
-68	155	-12.9711
-67	155	-14.6745
-66	155	-16.2029
-65	155	-16.9223
-64	155	-16.3328
-63	155	-14.745
-62	155	-13.0814
-61	155	-11.4443
-60	155	-10.0653
-59	155	-8.8422
-58	155	-7.84009
-57	155	-7.00427
-56	155	-6.2377
-55	155	-5.67999
-54	155	-4.96415
-53	155	-4.54603
-52	155	-4.2253
-51	155	-3.931
-50	155	-3.70163
-49	155	-3.53112
-48	155	-3.40918
-47	155	-3.33036
-46	155	-3.29237
-45	155	-3.3201
-44	155	-3.34068
-43	155	-3.42774
-42	155	-3.5372
-41	155	-3.67639
-40	155	-3.85223
-39	155	-4.05575
-38	155	-4.28243
-37	155	-4.52671
-36	155	-4.79143
-35	155	-5.07986
-34	155	-5.38936
-33	155	-5.71054
-32	155	-6.03698
-31	155	-6.3644
-30	155	-6.67953
-29	155	-6.99008
-28	155	-7.2835
-27	155	-7.55053
-26	155	-7.78632
-25	155	-7.99554
-24	155	-8.17581
-23	155	-8.33496
-22	155	-8.46554
-21	155	-8.56912
-20	155	-8.64311
-19	155	-8.68857
-18	155	-8.69565
-17	155	-8.69066
-16	155	-8.66785
-15	155	-8.61697
-14	155	-8.57093
-13	155	-8.51608
-12	155	-8.4481
-11	155	-8.37899
-10	155	-8.31525
-9	155	-8.28369
-8	155	-8.21225
-7	155	-8.16442
-6	155	-8.1363
-5	155	-8.11459
-4	155	-8.10477
-3	155	-8.10776
-2	155	-8.1143
-1	155	-8.12624
0	155	-8.14048
1	155	-8.1614
2	155	-8.17975
3	155	-8.18915
4	155	-8.19504
5	155	-8.19747
6	155	-8.18922
7	155	-8.15387
8	155	-8.1102
9	155	-8.06131
10	155	-7.9735
11	155	-7.87247
12	155	-7.7363
13	155	-7.56784
14	155	-7.34811
15	155	-7.1432
16	155	-6.90553
17	155	-6.6323
18	155	-6.33836
19	155	-6.01545
20	155	-5.70753
21	155	-5.39392
22	155	-5.06444
23	155	-4.74859
24	155	-4.45703
25	155	-4.14702
26	155	-3.8477

27	155	-3.58494
28	155	-3.32307
29	155	-3.08169
30	155	-2.86011
31	155	-2.66223
32	155	-2.48935
33	155	-2.34359
34	155	-2.26361
35	155	-2.1376
36	155	-2.08825
37	155	-2.07022
38	155	-2.08967
39	155	-2.15812
40	155	-2.20797
41	155	-2.39354
42	155	-2.58224
43	155	-2.81867
44	155	-3.10897
45	155	-3.4669
46	155	-3.89639
47	155	-4.39929
48	155	-4.99348
49	155	-5.65425
50	155	-6.42538
51	155	-7.30913
52	155	-8.31269
53	155	-9.60603
54	155	-10.924
55	155	-12.3347
56	155	-13.2137
57	155	-13.8108
58	155	-13.6549
59	155	-12.8121
60	155	-11.625
61	155	-10.3715
62	155	-9.21496
63	155	-8.19207
64	155	-7.2764
65	155	-6.51406
66	155	-5.87283
67	155	-5.3449
68	155	-4.92283
69	155	-4.61036
70	155	-4.39621
71	155	-4.26823
72	155	-4.23561
73	155	-4.3067
74	155	-4.46071
75	155	-4.72553
76	155	-5.10999
77	155	-5.59694
78	155	-6.22514
79	155	-7.01585
80	155	-7.97879
81	155	-9.18234
82	155	-10.6759
83	155	-12.5059
84	155	-15.0428
85	155	-18.7945
86	155	-23.9118
87	155	-25.889
88	155	-20.4248
89	155	-15.1256
90	155	-12.5594
91	155	-10.6617
92	155	-9.18911
93	155	-8.03908
94	155	-7.12729
95	155	-6.3973
96	155	-5.82146
97	155	-5.37921
98	155	-5.05675
99	155	-4.84869
100	155	-4.74333
101	155	-4.73761
102	155	-4.83831
103	155	-5.03577
104	155	-5.33209
105	155	-5.6859
106	155	-6.17108
107	155	-6.76546
108	155	-7.50576
109	155	-8.39694
110	155	-9.43382
111	155	-10.7124
112	155	-11.9175
113	155	-13.5184
114	155	-15.2375
115	155	-16.6271
116	155	-16.9903
117	155	-15.3692
118	155	-13.9806
119	155	-12.4963
120	155	-10.9004
121	155	-9.57502
122	155	-8.50792
123	155	-7.66216

124	155	-6.85957
125	155	-6.08103
126	155	-5.45834
127	155	-4.99978
128	155	-4.63608
129	155	-4.30946
130	155	-4.0444
131	155	-3.84192
132	155	-3.66974
133	155	-3.56853
134	155	-3.50552
135	155	-3.47478
136	155	-3.48476
137	155	-3.53024
138	155	-3.60348
139	155	-3.70579
140	155	-3.83727
141	155	-3.99649
142	155	-4.17775
143	155	-4.37724
144	155	-4.59204
145	155	-4.82448
146	155	-5.07237
147	155	-5.3172
148	155	-5.58143
149	155	-5.82647
150	155	-6.07224
151	155	-6.30787
152	155	-6.52849
153	155	-6.79046
154	155	-7.01011
155	155	-7.10868
156	155	-7.27327
157	155	-7.3939
158	155	-7.49972
159	155	-7.57422
160	155	-7.62865
161	155	-7.66117
162	155	-7.66044
163	155	-7.65477
164	155	-7.62447
165	155	-7.63444
166	155	-7.57095
167	155	-7.53664
168	155	-7.50707
169	155	-7.43857
170	155	-7.36483
171	155	-7.40813
172	155	-7.33953
173	155	-7.29603
174	155	-7.26681
175	155	-7.2467
176	155	-7.22977
177	155	-7.19476
178	155	-7.22027
179	155	-7.19469
180	155	-7.16359
-180	156	-7.12821
-179	156	-6.99122
-178	156	-6.91808
-177	156	-6.82803
-176	156	-6.75195
-175	156	-6.65481
-174	156	-6.54736
-173	156	-6.43003
-172	156	-6.29299
-171	156	-6.12659
-170	156	-5.98146
-169	156	-5.82891
-168	156	-5.64361
-167	156	-5.44875
-166	156	-5.23505
-165	156	-5.02293
-164	156	-4.82948
-163	156	-4.60435
-162	156	-4.37512
-161	156	-4.14405
-160	156	-3.90937
-159	156	-3.69946
-158	156	-3.49937
-157	156	-3.26949
-156	156	-3.06582
-155	156	-2.87345
-154	156	-2.69393
-153	156	-2.52805
-152	156	-2.38103
-151	156	-2.26419
-150	156	-2.15238
-149	156	-2.06236
-148	156	-1.99566
-147	156	-1.95304
-146	156	-1.93586
-145	156	-1.94908
-144	156	-1.9931
-143	156	-2.07346
-142	156	-2.1874
-141	156	-2.33732

-140	156	-2.52598
-139	156	-2.75855
-138	156	-3.03925
-137	156	-3.37268
-136	156	-3.77271
-135	156	-4.22353
-134	156	-4.7397
-133	156	-5.327
-132	156	-5.99056
-131	156	-6.75464
-130	156	-7.591
-129	156	-8.69825
-128	156	-9.78403
-127	156	-10.8889
-126	156	-11.1976
-125	156	-11.5966
-124	156	-12.064
-123	156	-11.673
-122	156	-10.9703
-121	156	-10.0481
-120	156	-9.06733
-119	156	-8.12472
-118	156	-7.25691
-117	156	-6.49288
-116	156	-5.81969
-115	156	-5.26123
-114	156	-4.77
-113	156	-4.38448
-112	156	-4.08219
-111	156	-3.87273
-110	156	-3.77169
-109	156	-3.73237
-108	156	-3.78216
-107	156	-3.93503
-106	156	-4.18781
-105	156	-4.5273
-104	156	-4.97428
-103	156	-5.65176
-102	156	-7.05337
-101	156	-7.98806
-100	156	-9.20254
-99	156	-10.7663
-98	156	-12.8223
-97	156	-15.5522
-96	156	-19.4946
-95	156	-25.5488
-94	156	-25.1714
-93	156	-19.2254
-92	156	-15.37
-91	156	-12.7286
-90	156	-10.7709
-89	156	-9.26531
-88	156	-8.0814
-87	156	-7.12961
-86	156	-6.37421
-85	156	-5.78369
-84	156	-5.86706
-83	156	-5.44437
-82	156	-5.13437
-81	156	-4.92043
-80	156	-4.80647
-79	156	-4.78447
-78	156	-4.85465
-77	156	-5.02509
-76	156	-5.27803
-75	156	-5.5879
-74	156	-6.02741
-73	156	-6.57017
-72	156	-7.23332
-71	156	-8.15686
-70	156	-9.00167
-69	156	-10.1217
-68	156	-11.4546
-67	156	-12.8966
-66	156	-14.642
-65	156	-16.0334
-64	156	-16.8838
-63	156	-16.5179
-62	156	-15.2185
-61	156	-13.6
-60	156	-12.0566
-59	156	-10.6711
-58	156	-9.44912
-57	156	-8.39604
-56	156	-7.48404
-55	156	-6.76556
-54	156	-6.10221
-53	156	-5.40275
-52	156	-4.86679
-51	156	-4.51288
-50	156	-4.39521
-49	156	-4.02973
-48	156	-3.72989
-47	156	-3.55472
-46	156	-3.42468
-45	156	-3.33201
-44	156	-3.30334

-43	156	-3.25993
-42	156	-3.28254
-41	156	-3.31567
-40	156	-3.38074
-39	156	-3.47091
-38	156	-3.59377
-37	156	-3.74191
-36	156	-3.91405
-35	156	-4.10631
-34	156	-4.31228
-33	156	-4.52934
-32	156	-4.75533
-31	156	-4.98685
-30	156	-5.22909
-29	156	-5.47938
-28	156	-5.72797
-27	156	-5.97359
-26	156	-6.21393
-25	156	-6.44766
-24	156	-6.67649
-23	156	-6.89417
-22	156	-7.10209
-21	156	-7.30252
-20	156	-7.49021
-19	156	-7.65415
-18	156	-7.8079
-17	156	-7.9419
-16	156	-8.05791
-15	156	-8.13798
-14	156	-8.21574
-13	156	-8.25882
-12	156	-8.29022
-11	156	-8.30889
-10	156	-8.31957
-9	156	-8.3277
-8	156	-8.33297
-7	156	-8.411
-6	156	-8.31252
-5	156	-8.28968
-4	156	-8.26495
-3	156	-8.23575
-2	156	-8.19625
-1	156	-8.17002
0	156	-8.11407
1	156	-8.06158
2	156	-7.98972
3	156	-7.90372
4	156	-7.8148
5	156	-7.703
6	156	-7.57905
7	156	-7.44155
8	156	-7.28526
9	156	-7.15592
10	156	-6.9257
11	156	-6.73146
12	156	-6.51886
13	156	-6.27825
14	156	-6.03478
15	156	-5.78409
16	156	-5.55398
17	156	-5.28669
18	156	-5.00284
19	156	-4.74253
20	156	-4.49402
21	156	-4.22628
22	156	-3.96733
23	156	-3.72233
24	156	-3.48355
25	156	-3.25981
26	156	-3.05379
27	156	-2.86398
28	156	-2.6936
29	156	-2.55446
30	156	-2.42122
31	156	-2.3104
32	156	-2.22454
33	156	-2.16399
34	156	-2.132
35	156	-2.09559
36	156	-2.16629
37	156	-2.24005
38	156	-2.27433
39	156	-2.48223
40	156	-2.65258
41	156	-2.87678
42	156	-3.1519
43	156	-3.4832
44	156	-3.88382
45	156	-4.34617
46	156	-4.87438
47	156	-5.48311
48	156	-6.17858
49	156	-6.97525
50	156	-7.88353
51	156	-9.07293
52	156	-10.3838
53	156	-11.7138

54	156	-12.5947
55	156	-13.5473
56	156	-13.951
57	156	-13.6285
58	156	-12.7291
59	156	-11.5768
60	156	-10.3878
61	156	-9.27853
62	156	-8.28853
63	156	-7.43122
64	156	-6.6915
65	156	-6.02956
66	156	-5.48823
67	156	-5.05899
68	156	-4.72462
69	156	-4.48198
70	156	-4.32547
71	156	-4.24859
72	156	-4.26044
73	156	-4.36475
74	156	-4.56945
75	156	-4.86081
76	156	-5.2558
77	156	-5.77814
78	156	-6.41879
79	156	-7.20395
80	156	-8.18729
81	156	-9.38554
82	156	-10.8489
83	156	-12.7322
84	156	-15.2155
85	156	-18.6839
86	156	-23.9643
87	156	-27.0715
88	156	-21.3627
89	156	-15.6954
90	156	-12.9681
91	156	-11.0916
92	156	-9.58804
93	156	-8.40649
94	156	-7.46261
95	156	-6.70086
96	156	-6.10062
97	156	-5.62045
98	156	-5.26035
99	156	-5.00599
100	156	-4.85044
101	156	-4.78942
102	156	-4.82517
103	156	-4.96177
104	156	-5.17653
105	156	-5.49718
106	156	-5.8167
107	156	-6.35689
108	156	-6.94075
109	156	-7.71299
110	156	-8.57232
111	156	-9.55875
112	156	-10.7688
113	156	-11.9261
114	156	-13.4693
115	156	-15.1058
116	156	-16.5085
117	156	-16.0191
118	156	-15.5861
119	156	-14.388
120	156	-12.9973
121	156	-11.4136
122	156	-10.1158
123	156	-9.01818
124	156	-8.06127
125	156	-7.26217
126	156	-6.55072
127	156	-5.84875
128	156	-5.30623
129	156	-4.87078
130	156	-4.50121
131	156	-4.22707
132	156	-3.97584
133	156	-3.77119
134	156	-3.61366
135	156	-3.49293
136	156	-3.40888
137	156	-3.36232
138	156	-3.34852
139	156	-3.36205
140	156	-3.40508
141	156	-3.4749
142	156	-3.56498
143	156	-3.6732
144	156	-3.80467
145	156	-3.95492
146	156	-4.11948
147	156	-4.29576
148	156	-4.48214
149	156	-4.67309
150	156	-4.87934

151	156	-5.06977
152	156	-5.28691
153	156	-5.47396
154	156	-5.69116
155	156	-5.84651
156	156	-6.15253
157	156	-6.24835
158	156	-6.38386
159	156	-6.54962
160	156	-6.67952
161	156	-6.79539
162	156	-6.89945
163	156	-6.99032
164	156	-7.0699
165	156	-7.12714
166	156	-7.18556
167	156	-7.24028
168	156	-7.25648
169	156	-7.25637
170	156	-7.32325
171	156	-7.28936
172	156	-7.27651
173	156	-7.30402
174	156	-7.26537
175	156	-7.23638
176	156	-7.22821
177	156	-7.13423
178	156	-7.15444
179	156	-7.08754
180	156	-7.12821
-180	157	-5.98622
-179	157	-5.91123
-178	157	-5.82443
-177	157	-5.72703
-176	157	-5.62198
-175	157	-5.52458
-174	157	-5.39873
-173	157	-5.25719
-172	157	-5.1063
-171	157	-4.96797
-170	157	-4.81854
-169	157	-4.65309
-168	157	-4.48403
-167	157	-4.31082
-166	157	-4.13457
-165	157	-3.94838
-164	157	-3.77649
-163	157	-3.6159
-162	157	-3.43997
-161	157	-3.26523
-160	157	-3.09594
-159	157	-2.8984
-158	157	-2.77647
-157	157	-2.63875
-156	157	-2.50919
-155	157	-2.38789
-154	157	-2.27918
-153	157	-2.18727
-152	157	-2.11285
-151	157	-2.05851
-150	157	-2.02159
-149	157	-2.01442
-148	157	-2.02216
-147	157	-2.05584
-146	157	-2.11691
-145	157	-2.2058
-144	157	-2.32595
-143	157	-2.47608
-142	157	-2.66747
-141	157	-2.89374
-140	157	-3.15949
-139	157	-3.47066
-138	157	-3.83651
-137	157	-4.25858
-136	157	-4.73848
-135	157	-5.28913
-134	157	-5.90062
-133	157	-6.58381
-132	157	-7.37158
-131	157	-8.33704
-130	157	-9.41183
-129	157	-10.3537
-128	157	-10.907
-127	157	-11.6662
-126	157	-12.1596
-125	157	-12.1461
-124	157	-11.6788
-123	157	-10.9114
-122	157	-10.0158
-121	157	-9.08357
-120	157	-8.19101
-119	157	-7.34706
-118	157	-6.60327
-117	157	-5.94103
-116	157	-5.38642
-115	157	-4.9163
-114	157	-4.52423

-113	157	-4.22139
-112	157	-4.01113
-111	157	-3.85836
-110	157	-3.77333
-109	157	-3.7876
-108	157	-3.90801
-107	157	-4.10106
-106	157	-4.34988
-105	157	-4.73944
-104	157	-5.27521
-103	157	-6.45027
-102	157	-7.2941
-101	157	-8.30584
-100	157	-9.48057
-99	157	-11.0367
-98	157	-13.037
-97	157	-15.7244
-96	157	-19.6505
-95	157	-25.6455
-94	157	-25.8535
-93	157	-19.8062
-92	157	-15.8508
-91	157	-13.1552
-90	157	-11.1471
-89	157	-9.58974
-88	157	-8.37114
-87	157	-7.39499
-86	157	-6.61215
-85	157	-5.99912
-84	157	-6.11153
-83	157	-5.65371
-82	157	-5.30859
-81	157	-5.05847
-80	157	-4.89797
-79	157	-4.82152
-78	157	-4.8297
-77	157	-4.92792
-76	157	-5.11613
-75	157	-5.38023
-74	157	-5.70105
-73	157	-6.15754
-72	157	-6.6595
-71	157	-7.32478
-70	157	-8.08293
-69	157	-9.15936
-68	157	-10.0536
-67	157	-11.2826
-66	157	-12.6747
-65	157	-14.2053
-64	157	-15.7131
-63	157	-16.7821
-62	157	-16.8113
-61	157	-15.7819
-60	157	-14.3359
-59	157	-12.8147
-58	157	-11.4086
-57	157	-10.1592
-56	157	-9.06778
-55	157	-8.11953
-54	157	-7.28341
-53	157	-6.63419
-52	157	-6.01021
-51	157	-5.35635
-50	157	-4.88749
-49	157	-4.54456
-48	157	-4.25271
-47	157	-3.95332
-46	157	-3.76557
-45	157	-3.69497
-44	157	-3.56334
-43	157	-3.3317
-42	157	-3.22088
-41	157	-3.19108
-40	157	-3.16329
-39	157	-3.16217
-38	157	-3.18641
-37	157	-3.23001
-36	157	-3.29472
-35	157	-3.38
-34	157	-3.48356
-33	157	-3.60692
-32	157	-3.74727
-31	157	-3.90397
-30	157	-4.07199
-29	157	-4.24663
-28	157	-4.42329
-27	157	-4.60254
-26	157	-4.78639
-25	157	-4.97225
-24	157	-5.15775
-23	157	-5.33958
-22	157	-5.51774
-21	157	-5.69418
-20	157	-5.86378
-19	157	-6.03151
-18	157	-6.19441
-17	157	-6.34663

-16	157	-6.48444
-15	157	-6.5949
-14	157	-6.7084
-13	157	-6.79567
-12	157	-6.87158
-11	157	-6.93202
-10	157	-6.97917
-9	157	-7.01534
-8	157	-7.04305
-7	157	-7.065
-6	157	-7.0604
-5	157	-7.00714
-4	157	-7.01553
-3	157	-6.98355
-2	157	-6.93659
-1	157	-7.07407
0	157	-6.79997
1	157	-6.72531
2	157	-6.62887
3	157	-6.51944
4	157	-6.40019
5	157	-6.28492
6	157	-6.14119
7	157	-5.98789
8	157	-5.82341
9	157	-5.64565
10	157	-5.4638
11	157	-5.27516
12	157	-5.07842
13	157	-4.88787
14	157	-4.71206
15	157	-4.49527
16	157	-4.29376
17	157	-4.10114
18	157	-3.89768
19	157	-3.69229
20	157	-3.49118
21	157	-3.29248
22	157	-3.12035
23	157	-2.95834
24	157	-2.80686
25	157	-2.66652
26	157	-2.54138
27	157	-2.43391
28	157	-2.3439
29	157	-2.27513
30	157	-2.22477
31	157	-2.20478
32	157	-2.19953
33	157	-2.22126
34	157	-2.27534
35	157	-2.35539
36	157	-2.44496
37	157	-2.59856
38	157	-2.79474
39	157	-3.01617
40	157	-3.28061
41	157	-3.59532
42	157	-3.9645
43	157	-4.39531
44	157	-4.89298
45	157	-5.46276
46	157	-6.11091
47	157	-6.84592
48	157	-7.68765
49	157	-8.77392
50	157	-9.95722
51	157	-11.2726
52	157	-12.0855
53	157	-13.1598
54	157	-13.8948
55	157	-14.0209
56	157	-13.5035
57	157	-12.5564
58	157	-11.4384
59	157	-10.3116
60	157	-9.25951
61	157	-8.30488
62	157	-7.45648
63	157	-6.7312
64	157	-6.11788
65	157	-5.60988
66	157	-5.16768
67	157	-4.811
68	157	-4.55324
69	157	-4.37256
70	157	-4.26404
71	157	-4.24082
72	157	-4.29965
73	157	-4.44264
74	157	-4.67313
75	157	-4.99763
76	157	-5.41908
77	157	-5.94647
78	157	-6.60506
79	157	-7.40294
80	157	-8.35836

81	157	-9.53781
82	157	-11.0016
83	157	-12.8211
84	157	-15.2317
85	157	-18.6333
86	157	-23.7248
87	157	-27.6771
88	157	-22.181
89	157	-16.1527
90	157	-13.4894
91	157	-11.5267
92	157	-10.004
93	157	-8.80272
94	157	-7.84311
95	157	-7.01147
96	157	-6.39036
97	157	-5.86824
98	157	-5.47393
99	157	-5.18262
100	157	-4.98124
101	157	-4.86641
102	157	-4.8419
103	157	-4.90435
104	157	-5.06351
105	157	-5.30092
106	157	-5.61323
107	157	-5.98653
108	157	-6.6544
109	157	-7.0493
110	157	-7.75559
111	157	-8.60416
112	157	-9.57121
113	157	-10.7035
114	157	-11.7871
115	157	-13.2305
116	157	-14.7682
117	157	-16.2093
118	157	-17.0371
119	157	-15.7611
120	157	-14.8444
121	157	-13.5731
122	157	-12.036
123	157	-10.7617
124	157	-9.64182
125	157	-8.65525
126	157	-7.75665
127	157	-7.05944
128	157	-6.42263
129	157	-5.66426
130	157	-5.20062
131	157	-4.82953
132	157	-4.58011
133	157	-4.28441
134	157	-3.98656
135	157	-3.75719
136	157	-3.58201
137	157	-3.45527
138	157	-3.35713
139	157	-3.28425
140	157	-3.24077
141	157	-3.22348
142	157	-3.22946
143	157	-3.259
144	157	-3.31012
145	157	-3.37899
146	157	-3.46862
147	157	-3.56724
148	157	-3.67757
149	157	-3.80214
150	157	-3.93314
151	157	-4.07163
152	157	-4.21428
153	157	-4.36175
154	157	-4.51411
155	157	-4.6698
156	157	-4.81561
157	157	-4.97126
158	157	-5.08601
159	157	-5.32164
160	157	-5.39318
161	157	-5.48286
162	157	-5.61148
163	157	-5.71797
164	157	-5.81451
165	157	-5.89865
166	157	-5.97698
167	157	-6.04145
168	157	-6.10135
169	157	-6.16188
170	157	-6.18494
171	157	-6.21567
172	157	-6.18094
173	157	-6.26327
174	157	-6.25481
175	157	-6.29375
176	157	-6.20654
177	157	-6.15667

178	157	-6.10471
179	157	-6.06209
180	157	-5.98622
-180	158	-4.67705
-179	158	-4.66516
-178	158	-4.56411
-177	158	-4.48119
-176	158	-4.39131
-175	158	-4.30921
-174	158	-4.19793
-173	158	-4.08597
-172	158	-3.98396
-171	158	-3.86665
-170	158	-3.74
-169	158	-3.61504
-168	158	-3.48687
-167	158	-3.35814
-166	158	-3.23093
-165	158	-3.09966
-164	158	-2.9824
-163	158	-2.85977
-162	158	-2.75489
-161	158	-2.63951
-160	158	-2.53601
-159	158	-2.42264
-158	158	-2.34348
-157	158	-2.26438
-156	158	-2.20189
-155	158	-2.15402
-154	158	-2.1172
-153	158	-2.09413
-152	158	-2.08884
-151	158	-2.10336
-150	158	-2.13886
-149	158	-2.19934
-148	158	-2.27992
-147	158	-2.39014
-146	158	-2.52337
-145	158	-2.68546
-144	158	-2.88025
-143	158	-3.10884
-142	158	-3.36832
-141	158	-3.67373
-140	158	-4.02725
-139	158	-4.42719
-138	158	-4.87258
-137	158	-5.38398
-136	158	-5.98408
-135	158	-6.5935
-134	158	-7.45776
-133	158	-8.18527
-132	158	-9.14187
-131	158	-10.2116
-130	158	-10.8445
-129	158	-11.5352
-128	158	-12.1644
-127	158	-12.3809
-126	158	-12.1557
-125	158	-11.5561
-124	158	-10.7686
-123	158	-9.87807
-122	158	-8.97473
-121	158	-8.10891
-120	158	-7.3191
-119	158	-6.63431
-118	158	-6.02484
-117	158	-5.4722
-116	158	-5.02452
-115	158	-4.63486
-114	158	-4.35285
-113	158	-4.11814
-112	158	-3.82206
-111	158	-3.73298
-110	158	-3.7452
-109	158	-3.83631
-108	158	-4.00393
-107	158	-4.24976
-106	158	-4.56757
-105	158	-5.39698
-104	158	-5.97413
-103	158	-6.67309
-102	158	-7.52211
-101	158	-8.48397
-100	158	-9.72966
-99	158	-11.2831
-98	158	-13.2658
-97	158	-15.9038
-96	158	-19.7179
-95	158	-25.6751
-94	158	-26.6909
-93	158	-20.5057
-92	158	-16.424
-91	158	-13.6578
-90	158	-11.614
-89	158	-10.0155
-88	158	-8.73904
-87	158	-7.70948

-86	158	-6.87891
-85	158	-6.22359
-84	158	-6.3654
-83	158	-5.88006
-82	158	-5.50362
-81	158	-5.21489
-80	158	-5.00775
-79	158	-4.8962
-78	158	-4.85817
-77	158	-4.86841
-76	158	-4.99297
-75	158	-5.17084
-74	158	-5.44623
-73	158	-5.79305
-72	158	-6.17786
-71	158	-6.69484
-70	158	-7.30801
-69	158	-8.031
-68	158	-8.92428
-67	158	-10.0481
-66	158	-11.0156
-65	158	-12.2925
-64	158	-13.7193
-63	158	-15.1852
-62	158	-16.438
-61	158	-16.9375
-60	158	-16.4529
-59	158	-15.2526
-58	158	-13.8057
-57	158	-12.3901
-56	158	-11.1093
-55	158	-9.97503
-54	158	-9.02021
-53	158	-8.07617
-52	158	-7.27529
-51	158	-6.63571
-50	158	-6.06411
-49	158	-5.56728
-48	158	-4.97704
-47	158	-4.62651
-46	158	-4.34316
-45	158	-4.0616
-44	158	-3.82864
-43	158	-3.62793
-42	158	-3.4547
-41	158	-3.33704
-40	158	-3.27547
-39	158	-3.30244
-38	158	-3.07061
-37	158	-3.03379
-36	158	-3.03188
-35	158	-3.04596
-34	158	-3.06855
-33	158	-3.10407
-32	158	-3.15243
-31	158	-3.21652
-30	158	-3.29383
-29	158	-3.38632
-28	158	-3.49092
-27	158	-3.60723
-26	158	-3.7191
-25	158	-3.84496
-24	158	-3.96985
-23	158	-4.09351
-22	158	-4.21572
-21	158	-4.34219
-20	158	-4.46718
-19	158	-4.59189
-18	158	-4.7137
-17	158	-4.82785
-16	158	-4.93458
-15	158	-5.02505
-14	158	-5.12028
-13	158	-5.19501
-12	158	-5.26067
-11	158	-5.31537
-10	158	-5.36277
-9	158	-5.38026
-8	158	-5.43437
-7	158	-5.44512
-6	158	-5.4454
-5	158	-5.43279
-4	158	-5.36714
-3	158	-5.38415
-2	158	-5.33781
-1	158	-5.28513
0	158	-5.21747
1	158	-5.1573
2	158	-5.07407
3	158	-4.98521
4	158	-4.88589
5	158	-4.79548
6	158	-4.67961
7	158	-4.57975
8	158	-4.44715
9	158	-4.31132
10	158	-4.17658

11	158	-4.02534
12	158	-3.83493
13	158	-3.7436
14	158	-3.59711
15	158	-3.44866
16	158	-3.31599
17	158	-3.16693
18	158	-3.04829
19	158	-2.91679
20	158	-2.79017
21	158	-2.67272
22	158	-2.56349
23	158	-2.47073
24	158	-2.39488
25	158	-2.33589
26	158	-2.28979
27	158	-2.25792
28	158	-2.24329
29	158	-2.24914
30	158	-2.27712
31	158	-2.33122
32	158	-2.40567
33	158	-2.50925
34	158	-2.6312
35	158	-2.74242
36	158	-2.99637
37	158	-3.21761
38	158	-3.48756
39	158	-3.79765
40	158	-4.15756
41	158	-4.57055
42	158	-5.04714
43	158	-5.58857
44	158	-6.19563
45	158	-6.87515
46	158	-7.77803
47	158	-8.58289
48	158	-9.79759
49	158	-11.0502
50	158	-11.8275
51	158	-12.911
52	158	-13.769
53	158	-14.1651
54	158	-13.956
55	158	-13.2341
56	158	-12.2415
57	158	-11.1416
58	158	-10.0619
59	158	-9.06445
60	158	-8.171
61	158	-7.3839
62	158	-6.70834
63	158	-6.11812
64	158	-5.61177
65	158	-5.19444
66	158	-4.87195
67	158	-4.60167
68	158	-4.39119
69	158	-4.2648
70	158	-4.21908
71	158	-4.24684
72	158	-4.34821
73	158	-4.52832
74	158	-4.78872
75	158	-5.13679
76	158	-5.58569
77	158	-6.13445
78	158	-6.79859
79	158	-7.59973
80	158	-8.56073
81	158	-9.71995
82	158	-11.1534
83	158	-12.973
84	158	-15.328
85	158	-18.5677
86	158	-23.454
87	158	-28.029
88	158	-23.0503
89	158	-16.6537
90	158	-13.9475
91	158	-11.9645
92	158	-10.4076
93	158	-9.16782
94	158	-8.16743
95	158	-7.34455
96	158	-6.67216
97	158	-6.12547
98	158	-5.68823
99	158	-5.3936
100	158	-5.13076
101	158	-4.9737
102	158	-4.88905
103	158	-4.89125
104	158	-4.97612
105	158	-5.13649
106	158	-5.46864
107	158	-5.71602

108	158	-6.07156
109	158	-6.54821
110	158	-7.09803
111	158	-7.76421
112	158	-8.5553
113	158	-9.46181
114	158	-10.5011
115	158	-11.6914
116	158	-12.8015
117	158	-14.7496
118	158	-15.662
119	158	-16.6985
120	158	-15.8109
121	158	-15.2893
122	158	-14.2483
123	158	-12.8142
124	158	-11.58
125	158	-10.446
126	158	-9.42164
127	158	-8.49891
128	158	-7.66628
129	158	-7.01226
130	158	-6.41418
131	158	-5.88685
132	158	-5.26789
133	158	-4.90996
134	158	-4.6036
135	158	-4.28567
136	158	-4.02429
137	158	-3.84866
138	158	-3.72056
139	158	-3.55109
140	158	-3.37252
141	158	-3.25339
142	158	-3.1816
143	158	-3.13917
144	158	-3.12446
145	158	-3.1179
146	158	-3.12611
147	158	-3.14982
148	158	-3.19025
149	158	-3.24409
150	158	-3.30733
151	158	-3.37853
152	158	-3.45647
153	158	-3.5443
154	158	-3.6334
155	158	-3.7322
156	158	-3.82533
157	158	-3.92409
158	158	-4.0229
159	158	-4.11532
160	158	-4.23091
161	158	-4.28026
162	158	-4.41637
163	158	-4.54704
164	158	-4.55442
165	158	-4.60618
166	158	-4.70863
167	158	-4.68891
168	158	-4.79825
169	158	-4.84613
170	158	-4.90866
171	158	-4.89071
172	158	-4.91565
173	158	-4.92787
174	158	-4.92086
175	158	-4.8999
176	158	-4.88397
177	158	-4.86002
178	158	-4.80404
179	158	-4.77001
180	158	-4.67705
-180	159	-3.62865
-179	159	-3.58572
-178	159	-3.53129
-177	159	-3.46814
-176	159	-3.39771
-175	159	-3.34246
-174	159	-3.27811
-173	159	-3.19235
-172	159	-3.12262
-171	159	-3.03939
-170	159	-2.93603
-169	159	-2.88618
-168	159	-2.81161
-167	159	-2.71313
-166	159	-2.63108
-165	159	-2.55155
-164	159	-2.48314
-163	159	-2.41691
-162	159	-2.35345
-161	159	-2.30543
-160	159	-2.27207
-159	159	-2.21234
-158	159	-2.19655
-157	159	-2.17969

-156	159	-2.17474
-155	159	-2.1881
-154	159	-2.21893
-153	159	-2.26654
-152	159	-2.33065
-151	159	-2.41397
-150	159	-2.51726
-149	159	-2.64213
-148	159	-2.80405
-147	159	-2.99741
-146	159	-3.18221
-145	159	-3.42225
-144	159	-3.6916
-143	159	-3.9855
-142	159	-4.3502
-141	159	-4.72388
-140	159	-5.14449
-139	159	-5.64259
-138	159	-6.22697
-137	159	-6.91311
-136	159	-7.52086
-135	159	-8.46356
-134	159	-9.42874
-133	159	-10.0066
-132	159	-10.8075
-131	159	-11.5417
-130	159	-12.0638
-129	159	-12.5173
-128	159	-12.4512
-127	159	-12.0307
-126	159	-11.348
-125	159	-10.5336
-124	159	-9.63936
-123	159	-8.74117
-122	159	-7.93922
-121	159	-7.24313
-120	159	-6.59919
-119	159	-6.03836
-118	159	-5.51249
-117	159	-5.07523
-116	159	-4.69537
-115	159	-4.40717
-114	159	-4.18963
-113	159	-4.01808
-112	159	-3.87631
-111	159	-3.8181
-110	159	-3.84459
-109	159	-3.95389
-108	159	-4.13882
-107	159	-4.40439
-106	159	-5.11292
-105	159	-5.60033
-104	159	-6.19164
-103	159	-6.90592
-102	159	-7.70345
-101	159	-8.72882
-100	159	-9.96609
-99	159	-11.5
-98	159	-13.4531
-97	159	-16.0349
-96	159	-19.7076
-95	159	-25.4649
-94	159	-27.6727
-93	159	-21.3757
-92	159	-17.1455
-91	159	-14.2825
-90	159	-12.1827
-89	159	-10.5535
-88	159	-9.24545
-87	159	-8.17979
-86	159	-7.29018
-85	159	-6.53732
-84	159	-5.96164
-83	159	-6.15433
-82	159	-5.72427
-81	159	-5.405
-80	159	-5.15507
-79	159	-4.99463
-78	159	-4.90118
-77	159	-4.87681
-76	159	-4.92028
-75	159	-5.03418
-74	159	-5.22209
-73	159	-5.48853
-72	159	-5.81847
-71	159	-6.16341
-70	159	-6.65708
-69	159	-7.22768
-68	159	-7.89379
-67	159	-8.66748
-66	159	-9.59958
-65	159	-10.8213
-64	159	-11.7733
-63	159	-13.073
-62	159	-14.4713
-61	159	-15.809
-60	159	-16.7708

-59	159	-16.924
-58	159	-16.2109
-57	159	-14.9732
-56	159	-13.5943
-55	159	-12.2734
-54	159	-11.0581
-53	159	-9.99554
-52	159	-9.05014
-51	159	-8.20696
-50	159	-7.45119
-49	159	-6.7948
-48	159	-6.26214
-47	159	-5.76226
-46	159	-5.33485
-45	159	-4.80905
-44	159	-4.48662
-43	159	-4.33306
-42	159	-4.03598
-41	159	-3.77991
-40	159	-3.55769
-39	159	-3.41963
-38	159	-3.26655
-37	159	-3.15952
-36	159	-3.11972
-35	159	-2.99584
-34	159	-3.12127
-33	159	-2.93943
-32	159	-2.91637
-31	159	-2.9155
-30	159	-2.93533
-29	159	-2.95517
-28	159	-2.98578
-27	159	-3.02289
-26	159	-3.06782
-25	159	-3.11828
-24	159	-3.17735
-23	159	-3.2432
-22	159	-3.32357
-21	159	-3.4167
-20	159	-3.50867
-19	159	-3.54894
-18	159	-3.62799
-17	159	-3.69978
-16	159	-3.77096
-15	159	-3.83081
-14	159	-3.89743
-13	159	-3.94815
-12	159	-3.99256
-11	159	-4.02064
-10	159	-4.0565
-9	159	-4.07507
-8	159	-4.1062
-7	159	-4.10959
-6	159	-4.10582
-5	159	-4.09633
-4	159	-4.08012
-3	159	-4.04687
-2	159	-3.96368
-1	159	-3.99276
0	159	-3.93901
1	159	-3.89433
2	159	-3.87719
3	159	-3.7701
4	159	-3.70277
5	159	-3.64125
6	159	-3.55917
7	159	-3.47208
8	159	-3.38205
9	159	-3.29426
10	159	-3.1973
11	159	-3.11117
12	159	-3.02088
13	159	-2.93232
14	159	-2.85399
15	159	-2.75158
16	159	-2.66196
17	159	-2.59258
18	159	-2.51852
19	159	-2.46324
20	159	-2.40048
21	159	-2.35774
22	159	-2.31955
23	159	-2.29507
24	159	-2.2847
25	159	-2.29421
26	159	-2.32231
27	159	-2.36752
28	159	-2.42745
29	159	-2.50657
30	159	-2.60824
31	159	-2.73626
32	159	-2.85038
33	159	-3.05243
34	159	-3.27581
35	159	-3.54217
36	159	-3.71673
37	159	-4.11693

38	159	-4.48337
39	159	-4.89217
40	159	-5.34849
41	159	-5.86022
42	159	-6.43701
43	159	-7.22068
44	159	-7.92689
45	159	-8.95444
46	159	-10.0448
47	159	-10.8417
48	159	-11.8342
49	159	-12.8729
50	159	-13.7457
51	159	-14.2561
52	159	-14.2335
53	159	-13.6885
54	159	-12.7778
55	159	-11.7352
56	159	-10.6622
57	159	-9.64578
58	159	-8.72939
59	159	-7.91156
60	159	-7.1905
61	159	-6.59014
62	159	-6.04178
63	159	-5.56958
64	159	-5.17179
65	159	-4.85114
66	159	-4.59533
67	159	-4.41224
68	159	-4.29512
69	159	-4.2225
70	159	-4.21738
71	159	-4.29075
72	159	-4.43408
73	159	-4.64927
74	159	-4.94168
75	159	-5.31707
76	159	-5.77887
77	159	-6.33929
78	159	-7.01396
79	159	-7.82024
80	159	-8.79243
81	159	-9.9704
82	159	-11.4076
83	159	-13.1991
84	159	-15.5153
85	159	-18.6516
86	159	-23.2444
87	159	-28.0206
88	159	-23.7709
89	159	-17.1456
90	159	-14.3929
91	159	-12.3658
92	159	-10.8093
93	159	-9.55225
94	159	-8.51385
95	159	-7.66998
96	159	-6.97548
97	159	-6.39838
98	159	-5.92741
99	159	-5.56063
100	159	-5.28488
101	159	-5.0886
102	159	-4.96628
103	159	-4.89221
104	159	-4.98383
105	159	-5.10554
106	159	-5.19055
107	159	-5.43785
108	159	-5.73825
109	159	-6.04225
110	159	-6.53651
111	159	-7.05496
112	159	-7.66836
113	159	-8.38524
114	159	-9.22757
115	159	-10.1628
116	159	-11.2542
117	159	-12.456
118	159	-13.5197
119	159	-14.8551
120	159	-16.0549
121	159	-15.5795
122	159	-15.5538
123	159	-14.9126
124	159	-13.8826
125	159	-12.5613
126	159	-11.3526
127	159	-10.3837
128	159	-9.42732
129	159	-8.56767
130	159	-7.80073
131	159	-7.13102
132	159	-6.57164
133	159	-6.0516
134	159	-5.6158

135	159	-5.069
136	159	-4.74723
137	159	-4.4804
138	159	-4.21802
139	159	-3.98955
140	159	-3.77306
141	159	-3.58211
142	159	-3.44163
143	159	-3.34787
144	159	-3.29837
145	159	-3.23613
146	159	-3.13758
147	159	-3.04814
148	159	-3.00824
149	159	-3.00084
150	159	-3.00773
151	159	-3.01977
152	159	-3.03741
153	159	-3.06378
154	159	-3.09761
155	159	-3.141
156	159	-3.17438
157	159	-3.2252
158	159	-3.29878
159	159	-3.31236
160	159	-3.38259
161	159	-3.43506
162	159	-3.44812
163	159	-3.52317
164	159	-3.62461
165	159	-3.63527
166	159	-3.65383
167	159	-3.73441
168	159	-3.76506
169	159	-3.75127
170	159	-3.76362
171	159	-3.78285
172	159	-3.80408
173	159	-3.80562
174	159	-3.80587
175	159	-3.79372
176	159	-3.77271
177	159	-3.7466
178	159	-3.71601
179	159	-3.67756
180	159	-3.62865
-180	160	-2.91187
-179	160	-2.87857
-178	160	-2.83752
-177	160	-2.79914
-176	160	-2.7646
-175	160	-2.72942
-174	160	-2.69858
-173	160	-2.65182
-172	160	-2.60754
-171	160	-2.56154
-170	160	-2.5165
-169	160	-2.47302
-168	160	-2.43092
-167	160	-2.39354
-166	160	-2.36073
-165	160	-2.32865
-164	160	-2.3097
-163	160	-2.29066
-162	160	-2.27909
-161	160	-2.31077
-160	160	-2.24581
-159	160	-2.31978
-158	160	-2.35329
-157	160	-2.39955
-156	160	-2.45524
-155	160	-2.52355
-154	160	-2.61079
-153	160	-2.72097
-152	160	-2.85256
-151	160	-3.00958
-150	160	-3.18752
-149	160	-3.38716
-148	160	-3.60781
-147	160	-3.85084
-146	160	-4.13004
-145	160	-4.46649
-144	160	-4.84608
-143	160	-5.20958
-142	160	-5.59333
-141	160	-6.07099
-140	160	-6.73224
-139	160	-7.31122
-138	160	-8.14116
-137	160	-8.95548
-136	160	-9.51149
-135	160	-10.2903
-134	160	-11.0426
-133	160	-11.6984
-132	160	-12.3076
-131	160	-12.6113
-130	160	-12.6185

-129	160	-12.3165
-128	160	-11.7699
-127	160	-11.0535
-126	160	-10.2188
-125	160	-9.37189
-124	160	-8.5139
-123	160	-7.72805
-122	160	-7.0457
-121	160	-6.47724
-120	160	-5.97722
-119	160	-5.49882
-118	160	-5.07609
-117	160	-4.73839
-116	160	-4.46231
-115	160	-4.26186
-114	160	-4.0717
-113	160	-3.94098
-112	160	-3.87373
-111	160	-3.87743
-110	160	-3.94727
-109	160	-4.1039
-108	160	-4.31883
-107	160	-4.92744
-106	160	-5.33322
-105	160	-5.834
-104	160	-6.38823
-103	160	-7.1036
-102	160	-7.95675
-101	160	-8.98217
-100	160	-10.2269
-99	160	-11.7426
-98	160	-13.6579
-97	160	-16.1848
-96	160	-19.741
-95	160	-25.2645
-94	160	-28.5621
-93	160	-22.3423
-92	160	-17.9545
-91	160	-14.9898
-90	160	-12.8505
-89	160	-11.1921
-88	160	-9.85162
-87	160	-8.81064
-86	160	-7.93249
-85	160	-7.21651
-84	160	-6.67172
-83	160	-6.44042
-82	160	-5.97818
-81	160	-5.61401
-80	160	-5.33344
-79	160	-5.13163
-78	160	-4.99435
-77	160	-4.92345
-76	160	-4.91524
-75	160	-4.96397
-74	160	-5.0739
-73	160	-5.24749
-72	160	-5.48779
-71	160	-5.80242
-70	160	-6.17927
-69	160	-6.57891
-68	160	-7.1036
-67	160	-7.70929
-66	160	-8.40545
-65	160	-9.22533
-64	160	-10.1372
-63	160	-11.363
-62	160	-12.4435
-61	160	-13.6174
-60	160	-14.91
-59	160	-16.1123
-58	160	-16.8645
-57	160	-16.8915
-56	160	-16.1744
-55	160	-15.016
-54	160	-13.7369
-53	160	-12.4976
-52	160	-11.3416
-51	160	-10.3176
-50	160	-9.40529
-49	160	-8.5901
-48	160	-7.85526
-47	160	-7.19044
-46	160	-6.61336
-45	160	-6.1266
-44	160	-5.67971
-43	160	-5.29286
-42	160	-4.79343
-41	160	-4.53751
-40	160	-4.27016
-39	160	-4.0047
-38	160	-3.80968
-37	160	-3.62068
-36	160	-3.45943
-35	160	-3.3214
-34	160	-3.20746
-33	160	-3.0927

-32	160	-3.01841
-31	160	-2.99901
-30	160	-2.86545
-29	160	-2.91687
-28	160	-2.87834
-27	160	-2.82191
-26	160	-2.80886
-25	160	-2.81372
-24	160	-2.81919
-23	160	-2.8348
-22	160	-2.84693
-21	160	-2.86602
-20	160	-2.88775
-19	160	-2.91283
-18	160	-2.94249
-17	160	-2.97343
-16	160	-3.00739
-15	160	-3.03442
-14	160	-3.07054
-13	160	-3.09542
-12	160	-3.11891
-11	160	-3.13602
-10	160	-3.14894
-9	160	-3.15604
-8	160	-3.16816
-7	160	-3.16964
-6	160	-3.16417
-5	160	-3.15289
-4	160	-3.13812
-3	160	-3.12065
-2	160	-3.10093
-1	160	-3.06856
0	160	-2.9619
1	160	-3.01988
2	160	-2.97701
3	160	-2.93538
4	160	-2.98924
5	160	-2.855
6	160	-2.81944
7	160	-2.77008
8	160	-2.72257
9	160	-2.67255
10	160	-2.63038
11	160	-2.58468
12	160	-2.53812
13	160	-2.49709
14	160	-2.46067
15	160	-2.44575
16	160	-2.40485
17	160	-2.37143
18	160	-2.35314
19	160	-2.34536
20	160	-2.35649
21	160	-2.37593
22	160	-2.40355
23	160	-2.44566
24	160	-2.50118
25	160	-2.57223
26	160	-2.66266
27	160	-2.77607
28	160	-2.91126
29	160	-3.08338
30	160	-3.16354
31	160	-3.45977
32	160	-3.68855
33	160	-3.95929
34	160	-4.26689
35	160	-4.61546
36	160	-4.95192
37	160	-5.38548
38	160	-5.83617
39	160	-6.34031
40	160	-7.03559
41	160	-7.63983
42	160	-8.5723
43	160	-9.54485
44	160	-10.2465
45	160	-11.2257
46	160	-12.1533
47	160	-13.1204
48	160	-13.9401
49	160	-14.434
50	160	-14.4545
51	160	-13.9734
52	160	-13.137
53	160	-12.1434
54	160	-11.1013
55	160	-10.1023
56	160	-9.18507
57	160	-8.35868
58	160	-7.62169
59	160	-6.97831
60	160	-6.40498
61	160	-5.90316
62	160	-5.47074
63	160	-5.11215
64	160	-4.81039

65	160	-4.57468
66	160	-4.39509
67	160	-4.27169
68	160	-4.21225
69	160	-4.22226
70	160	-4.28025
71	160	-4.39261
72	160	-4.56331
73	160	-4.81078
74	160	-5.12876
75	160	-5.5244
76	160	-6.00693
77	160	-6.5887
78	160	-7.28244
79	160	-8.10852
80	160	-9.09472
81	160	-10.2721
82	160	-11.6987
83	160	-13.4623
84	160	-15.7176
85	160	-18.791
86	160	-23.2196
87	160	-28.0015
88	160	-21.5902
89	160	-17.5393
90	160	-14.8157
91	160	-12.787
92	160	-11.1938
93	160	-9.92415
94	160	-8.88102
95	160	-7.97811
96	160	-7.25722
97	160	-6.67143
98	160	-6.17024
99	160	-5.7635
100	160	-5.45466
101	160	-5.22407
102	160	-5.11253
103	160	-5.00942
104	160	-4.92699
105	160	-4.95737
106	160	-5.05056
107	160	-5.21044
108	160	-5.42255
109	160	-5.70958
110	160	-6.05189
111	160	-6.4724
112	160	-6.95097
113	160	-7.50724
114	160	-8.14648
115	160	-8.90742
116	160	-9.74752
117	160	-10.6956
118	160	-11.7653
119	160	-12.938
120	160	-13.9036
121	160	-15.1237
122	160	-15.0121
123	160	-15.4727
124	160	-15.0227
125	160	-14.7213
126	160	-13.6237
127	160	-12.5883
128	160	-11.5411
129	160	-10.5692
130	160	-9.68805
131	160	-8.89367
132	160	-8.1652
133	160	-7.4928
134	160	-6.90692
135	160	-6.41599
136	160	-5.96336
137	160	-5.56052
138	160	-5.04142
139	160	-4.75751
140	160	-4.51342
141	160	-4.24963
142	160	-4.01786
143	160	-3.81664
144	160	-3.65016
145	160	-3.51114
146	160	-3.38415
147	160	-3.26691
148	160	-3.17142
149	160	-3.10473
150	160	-3.05722
151	160	-3.03066
152	160	-3.04188
153	160	-3.01726
154	160	-2.92975
155	160	-2.91051
156	160	-2.85772
157	160	-2.87254
158	160	-2.88019
159	160	-2.98711
160	160	-2.93388
161	160	-2.93482

162	160	-2.94327
163	160	-2.95741
164	160	-2.97237
165	160	-2.96898
166	160	-3.0011
167	160	-3.03057
168	160	-3.02895
169	160	-3.03855
170	160	-3.02349
171	160	-3.03196
172	160	-3.06853
173	160	-3.07304
174	160	-3.06177
175	160	-3.04073
176	160	-3.00741
177	160	-2.98803
178	160	-2.97336
179	160	-2.94872
180	160	-2.91187
-180	161	-2.57987
-179	161	-2.5729
-178	161	-2.55238
-177	161	-2.54656
-176	161	-2.53615
-175	161	-2.51427
-174	161	-2.49682
-173	161	-2.47748
-172	161	-2.45481
-171	161	-2.43834
-170	161	-2.43163
-169	161	-2.426
-168	161	-2.42503
-167	161	-2.42894
-166	161	-2.43993
-165	161	-2.45079
-164	161	-2.47663
-163	161	-2.50651
-162	161	-2.54708
-161	161	-2.58045
-160	161	-2.64201
-159	161	-2.73269
-158	161	-2.8246
-157	161	-2.9313
-156	161	-3.05582
-155	161	-3.19934
-154	161	-3.35619
-153	161	-3.52321
-152	161	-3.70389
-151	161	-3.91085
-150	161	-4.1547
-149	161	-4.43102
-148	161	-4.73444
-147	161	-5.07872
-146	161	-5.47406
-145	161	-5.89964
-144	161	-6.46032
-143	161	-6.91482
-142	161	-7.6074
-141	161	-8.22288
-140	161	-8.68387
-139	161	-9.37765
-138	161	-10.1041
-137	161	-10.898
-136	161	-11.6578
-135	161	-12.233
-134	161	-12.7615
-133	161	-12.9226
-132	161	-12.7841
-131	161	-12.4213
-130	161	-11.8543
-129	161	-11.1924
-128	161	-10.4256
-127	161	-9.63045
-126	161	-8.84183
-125	161	-8.11015
-124	161	-7.44663
-123	161	-6.85667
-122	161	-6.31493
-121	161	-5.76168
-120	161	-5.40155
-119	161	-5.04841
-118	161	-4.74304
-117	161	-4.4883
-116	161	-4.29049
-115	161	-4.10993
-114	161	-3.98422
-113	161	-3.91477
-112	161	-3.9087
-111	161	-3.96077
-110	161	-4.06999
-109	161	-4.50857
-108	161	-4.78617
-107	161	-5.13871
-106	161	-5.57143
-105	161	-6.03941
-104	161	-6.66193
-103	161	-7.39841

-102	161	-8.25978
-101	161	-9.28528
-100	161	-10.5206
-99	161	-12.0282
-98	161	-13.9125
-97	161	-16.3919
-96	161	-19.8426
-95	161	-25.1395
-94	161	-29.5463
-93	161	-23.4125
-92	161	-18.6984
-91	161	-15.6261
-90	161	-13.4321
-89	161	-11.734
-88	161	-10.3744
-87	161	-9.26936
-86	161	-8.36015
-85	161	-7.60899
-84	161	-6.99068
-83	161	-6.77444
-82	161	-6.2809
-81	161	-5.87671
-80	161	-5.55022
-79	161	-5.29714
-78	161	-5.11293
-77	161	-4.99398
-76	161	-4.93493
-75	161	-4.93164
-74	161	-4.98279
-73	161	-5.0885
-72	161	-5.24915
-71	161	-5.46696
-70	161	-5.75296
-69	161	-6.09195
-68	161	-6.49484
-67	161	-6.91459
-66	161	-7.44955
-65	161	-8.05853
-64	161	-8.75009
-63	161	-9.55728
-62	161	-10.449
-61	161	-11.4544
-60	161	-12.8549
-59	161	-13.8264
-58	161	-14.9778
-57	161	-16.0833
-56	161	-16.809
-55	161	-16.9244
-54	161	-16.3651
-53	161	-15.3658
-52	161	-14.2072
-51	161	-13.011
-50	161	-11.9095
-49	161	-10.9054
-48	161	-10.0043
-47	161	-9.19588
-46	161	-8.46933
-45	161	-7.80916
-44	161	-7.22574
-43	161	-6.68201
-42	161	-6.21344
-41	161	-5.82573
-40	161	-5.47639
-39	161	-5.11938
-38	161	-4.61514
-37	161	-4.40792
-36	161	-4.22526
-35	161	-4.01329
-34	161	-3.82983
-33	161	-3.66314
-32	161	-3.51642
-31	161	-3.38964
-30	161	-3.27487
-29	161	-3.18119
-28	161	-3.08253
-27	161	-3.00498
-26	161	-2.97785
-25	161	-2.9081
-24	161	-2.74659
-23	161	-2.87092
-22	161	-2.79739
-21	161	-2.76417
-20	161	-2.74833
-19	161	-2.73822
-18	161	-2.72741
-17	161	-2.71949
-16	161	-2.70887
-15	161	-2.69838
-14	161	-2.69812
-13	161	-2.69094
-12	161	-2.68735
-11	161	-2.68376
-10	161	-2.68056
-9	161	-2.68223
-8	161	-2.67853
-7	161	-2.6722
-6	161	-2.66383

-5	161	-2.65331
-4	161	-2.64198
-3	161	-2.62989
-2	161	-2.61944
-1	161	-2.60731
0	161	-2.58898
1	161	-2.57755
2	161	-2.46217
3	161	-2.54129
4	161	-2.53307
5	161	-2.51422
6	161	-2.63076
7	161	-2.48275
8	161	-2.47308
9	161	-2.46314
10	161	-2.45575
11	161	-2.44799
12	161	-2.44517
13	161	-2.44957
14	161	-2.44964
15	161	-2.46606
16	161	-2.49009
17	161	-2.52491
18	161	-2.56116
19	161	-2.60735
20	161	-2.67166
21	161	-2.74667
22	161	-2.8396
23	161	-2.94763
24	161	-3.07007
25	161	-3.21199
26	161	-3.39208
27	161	-3.48293
28	161	-3.76967
29	161	-4.00825
30	161	-4.27658
31	161	-4.56879
32	161	-4.88732
33	161	-5.23724
34	161	-5.62693
35	161	-6.0655
36	161	-6.66968
37	161	-7.13742
38	161	-7.97881
39	161	-8.70117
40	161	-9.28605
41	161	-10.1125
42	161	-10.9724
43	161	-11.9079
44	161	-12.7622
45	161	-13.6478
46	161	-14.3556
47	161	-14.7254
48	161	-14.6493
49	161	-14.1278
50	161	-13.3061
51	161	-12.3415
52	161	-11.3549
53	161	-10.3937
54	161	-9.49885
55	161	-8.68592
56	161	-7.95196
57	161	-7.30558
58	161	-6.72726
59	161	-6.21192
60	161	-5.76195
61	161	-5.38179
62	161	-5.05289
63	161	-4.78072
64	161	-4.5638
65	161	-4.39883
66	161	-4.28435
67	161	-4.2221
68	161	-4.21115
69	161	-4.25389
70	161	-4.35699
71	161	-4.52611
72	161	-4.74002
73	161	-5.00354
74	161	-5.34265
75	161	-5.76819
76	161	-6.28095
77	161	-6.8867
78	161	-7.59872
79	161	-8.43675
80	161	-9.42627
81	161	-10.6007
82	161	-12.0179
83	161	-13.7701
84	161	-16.0074
85	161	-19.0145
86	161	-23.3433
87	161	-28.159
88	161	-21.8979
89	161	-17.8898
90	161	-15.1751
91	161	-13.1548

92	161	-11.5661
93	161	-10.2768
94	161	-9.21611
95	161	-8.33315
96	161	-7.58624
97	161	-6.96233
98	161	-6.43969
99	161	-6.00618
100	161	-5.8175
101	161	-5.37583
102	161	-5.17371
103	161	-5.03466
104	161	-4.95172
105	161	-4.93182
106	161	-4.97006
107	161	-5.05573
108	161	-5.19731
109	161	-5.40805
110	161	-5.68755
111	161	-6.00986
112	161	-6.41646
113	161	-6.77927
114	161	-7.25159
115	161	-7.81267
116	161	-8.51303
117	161	-9.25932
118	161	-10.0515
119	161	-10.9692
120	161	-11.9854
121	161	-13.069
122	161	-14.0531
123	161	-15.0437
124	161	-14.8312
125	161	-15.2623
126	161	-15.2474
127	161	-14.6644
128	161	-13.8825
129	161	-12.9352
130	161	-11.9853
131	161	-11.0694
132	161	-10.2212
133	161	-9.44059
134	161	-8.72669
135	161	-8.06813
136	161	-7.48774
137	161	-6.9379
138	161	-6.46301
139	161	-6.06311
140	161	-5.69444
141	161	-5.3705
142	161	-4.86172
143	161	-4.62887
144	161	-4.43579
145	161	-4.20522
146	161	-4.03167
147	161	-3.88373
148	161	-3.68908
149	161	-3.55044
150	161	-3.43065
151	161	-3.30216
152	161	-3.2397
153	161	-3.18737
154	161	-3.16297
155	161	-3.03886
156	161	-2.97628
157	161	-2.93162
158	161	-2.9024
159	161	-2.88243
160	161	-2.86771
161	161	-2.85843
162	161	-2.84843
163	161	-2.8301
164	161	-2.76981
165	161	-2.72761
166	161	-2.74401
167	161	-2.7252
168	161	-2.71291
169	161	-2.70635
170	161	-2.70757
171	161	-2.71629
172	161	-2.70453
173	161	-2.6908
174	161	-2.684
175	161	-2.67709
176	161	-2.65852
177	161	-2.62264
178	161	-2.59137
179	161	-2.58857
180	161	-2.57987
-180	162	-2.68206
-179	162	-2.6762
-178	162	-2.66371
-177	162	-2.65507
-176	162	-2.65361
-175	162	-2.66203
-174	162	-2.66803
-173	162	-2.68478

-172	162	-2.69893
-171	162	-2.71324
-170	162	-2.73353
-169	162	-2.75652
-168	162	-2.78208
-167	162	-2.82066
-166	162	-2.87118
-165	162	-2.92408
-164	162	-2.99311
-163	162	-3.07162
-162	162	-3.18669
-161	162	-3.19778
-160	162	-3.3829
-159	162	-3.52851
-158	162	-3.6805
-157	162	-3.85021
-156	162	-4.03171
-155	162	-4.23344
-154	162	-4.45728
-153	162	-4.70387
-152	162	-4.97375
-151	162	-5.27379
-150	162	-5.59989
-149	162	-6.07345
-148	162	-6.48073
-147	162	-7.00913
-146	162	-7.47852
-145	162	-7.8344
-144	162	-8.38356
-143	162	-8.98195
-142	162	-9.59395
-141	162	-10.2225
-140	162	-10.8791
-139	162	-11.5138
-138	162	-12.0832
-137	162	-12.6288
-136	162	-12.9702
-135	162	-13.0241
-134	162	-12.8572
-133	162	-12.4511
-132	162	-11.8804
-131	162	-11.1951
-130	162	-10.4784
-129	162	-9.73641
-128	162	-9.00828
-127	162	-8.31977
-126	162	-7.68446
-125	162	-7.10682
-124	162	-6.58689
-123	162	-6.11844
-122	162	-5.66501
-121	162	-5.30911
-120	162	-4.9829
-119	162	-4.70118
-118	162	-4.42672
-117	162	-4.19703
-116	162	-4.05307
-115	162	-3.95855
-114	162	-3.90868
-113	162	-3.90582
-112	162	-3.95522
-111	162	-4.06155
-110	162	-4.4674
-109	162	-4.7103
-108	162	-5.01693
-107	162	-5.34698
-106	162	-5.80622
-105	162	-6.34362
-104	162	-6.9747
-103	162	-7.71409
-102	162	-8.58992
-101	162	-9.64408
-100	162	-10.8617
-99	162	-12.3256
-98	162	-14.2161
-97	162	-16.6537
-96	162	-20.025
-95	162	-25.2351
-94	162	-30.2482
-93	162	-24.153
-92	162	-19.3855
-91	162	-16.2526
-90	162	-13.9806
-89	162	-12.228
-88	162	-10.8222
-87	162	-9.67019
-86	162	-8.71813
-85	162	-7.92746
-84	162	-7.27307
-83	162	-7.08964
-82	162	-6.57831
-81	162	-6.14592
-80	162	-5.78885
-79	162	-5.50118
-78	162	-5.27632
-77	162	-5.11008
-76	162	-5.0007

-75	162	-4.9448
-74	162	-4.93845
-73	162	-4.98126
-72	162	-5.07267
-71	162	-5.21197
-70	162	-5.3958
-69	162	-5.63743
-68	162	-5.93893
-67	162	-6.28763
-66	162	-6.69473
-65	162	-7.1659
-64	162	-7.63852
-63	162	-8.23399
-62	162	-8.90366
-61	162	-9.67529
-60	162	-10.5151
-59	162	-11.4489
-58	162	-12.4673
-57	162	-13.8075
-56	162	-15.0108
-55	162	-15.7576
-54	162	-16.562
-53	162	-16.9
-52	162	-16.6491
-51	162	-15.9578
-50	162	-14.9887
-49	162	-13.9125
-48	162	-12.8665
-47	162	-11.8826
-46	162	-10.9718
-45	162	-10.1443
-44	162	-9.40782
-43	162	-8.74248
-42	162	-8.13966
-41	162	-7.59301
-40	162	-7.10033
-39	162	-6.63598
-38	162	-6.18759
-37	162	-5.82795
-36	162	-5.52668
-35	162	-5.25319
-34	162	-4.9722
-33	162	-4.53632
-32	162	-4.36728
-31	162	-4.23075
-30	162	-4.05197
-29	162	-3.89019
-28	162	-3.74479
-27	162	-3.61492
-26	162	-3.50863
-25	162	-3.40302
-24	162	-3.3131
-23	162	-3.22485
-22	162	-3.13798
-21	162	-3.09334
-20	162	-3.05723
-19	162	-2.93432
-18	162	-2.80248
-17	162	-2.87819
-16	162	-2.86278
-15	162	-2.8155
-14	162	-2.79678
-13	162	-2.76999
-12	162	-2.74287
-11	162	-2.71578
-10	162	-2.69081
-9	162	-2.67417
-8	162	-2.65478
-7	162	-2.63533
-6	162	-2.61917
-5	162	-2.60621
-4	162	-2.59613
-3	162	-2.58848
-2	162	-2.58273
-1	162	-2.57831
0	162	-2.57173
1	162	-2.57857
2	162	-2.57933
3	162	-2.58202
4	162	-2.58138
5	162	-2.50061
6	162	-2.61704
7	162	-2.63317
8	162	-2.64985
9	162	-2.6777
10	162	-2.7016
11	162	-2.7294
12	162	-2.76745
13	162	-2.80237
14	162	-2.85743
15	162	-2.90871
16	162	-2.97753
17	162	-3.05345
18	162	-3.14884
19	162	-3.2536
20	162	-3.40831
21	162	-3.52493

22	162	-3.68572
23	162	-3.85166
24	162	-3.9752
25	162	-4.27719
26	162	-4.49859
27	162	-4.7551
28	162	-5.03415
29	162	-5.34173
30	162	-5.68407
31	162	-6.18647
32	162	-6.63641
33	162	-7.21848
34	162	-7.75665
35	162	-8.20081
36	162	-8.85499
37	162	-9.42092
38	162	-10.3283
39	162	-11.1649
40	162	-12.0381
41	162	-12.929
42	162	-13.6799
43	162	-14.4151
44	162	-14.9049
45	162	-14.9918
46	162	-14.718
47	162	-14.0925
48	162	-13.2507
49	162	-12.3181
50	162	-11.3883
51	162	-10.4822
52	162	-9.63589
53	162	-8.85459
54	162	-8.14723
55	162	-7.51981
56	162	-6.95418
57	162	-6.44289
58	162	-5.99145
59	162	-5.60403
60	162	-5.26178
61	162	-4.97193
62	162	-4.73607
63	162	-4.54161
64	162	-4.39358
65	162	-4.29183
66	162	-4.23663
67	162	-4.22663
68	162	-4.26472
69	162	-4.35499
70	162	-4.49184
71	162	-4.68437
72	162	-4.94054
73	162	-5.26744
74	162	-5.65518
75	162	-6.09513
76	162	-6.61286
77	162	-7.23028
78	162	-7.95341
79	162	-8.79843
80	162	-9.79234
81	162	-10.9697
82	162	-12.3864
83	162	-14.1236
84	162	-16.3283
85	162	-19.2668
86	162	-23.4152
87	162	-27.9077
88	162	-22.0579
89	162	-18.1784
90	162	-15.5101
91	162	-13.5068
92	162	-11.9213
93	162	-10.6332
94	162	-9.56437
95	162	-8.66521
96	162	-7.91193
97	162	-7.40369
98	162	-6.79135
99	162	-6.26478
100	162	-5.88435
101	162	-5.57329
102	162	-5.32633
103	162	-5.14578
104	162	-5.02235
105	162	-4.94737
106	162	-4.92571
107	162	-4.96187
108	162	-5.04424
109	162	-5.17211
110	162	-5.34539
111	162	-5.58088
112	162	-5.87375
113	162	-6.1286
114	162	-6.53655
115	162	-6.98022
116	162	-7.47211
117	162	-8.02667
118	162	-8.64826

119	162	-9.35859
120	162	-10.0716
121	162	-10.9305
122	162	-11.8811
123	162	-12.938
124	162	-13.9631
125	162	-13.7724
126	162	-14.5322
127	162	-15.0442
128	162	-15.1701
129	162	-14.8382
130	162	-14.2604
131	162	-13.4913
132	162	-12.6587
133	162	-11.8175
134	162	-11.0078
135	162	-10.2466
136	162	-9.54438
137	162	-8.91132
138	162	-8.31399
139	162	-7.77079
140	162	-7.29698
141	162	-6.85347
142	162	-6.38966
143	162	-6.02791
144	162	-5.72785
145	162	-5.41687
146	162	-5.16019
147	162	-4.73041
148	162	-4.66591
149	162	-4.42907
150	162	-4.24336
151	162	-4.07423
152	162	-3.92469
153	162	-3.79197
154	162	-3.68105
155	162	-3.57483
156	162	-3.47817
157	162	-3.3848
158	162	-3.29956
159	162	-3.21837
160	162	-3.1485
161	162	-3.09499
162	162	-3.05066
163	162	-2.97926
164	162	-2.92996
165	162	-2.92416
166	162	-2.89165
167	162	-2.84552
168	162	-2.81991
169	162	-2.79684
170	162	-2.78516
171	162	-2.77908
172	162	-2.7693
173	162	-2.75948
174	162	-2.7481
175	162	-2.7338
176	162	-2.71801
177	162	-2.7057
178	162	-2.70124
179	162	-2.69688
180	162	-2.68206
-180	163	-3.16252
-179	163	-3.17414
-178	163	-3.18569
-177	163	-3.20321
-176	163	-3.22367
-175	163	-3.2531
-174	163	-3.28187
-173	163	-3.318
-172	163	-3.35804
-171	163	-3.40608
-170	163	-3.45984
-169	163	-3.52215
-168	163	-3.59088
-167	163	-3.66995
-166	163	-3.75792
-165	163	-3.84932
-164	163	-3.96314
-163	163	-4.0854
-162	163	-4.21803
-161	163	-4.40846
-160	163	-4.54532
-159	163	-4.74067
-158	163	-4.9502
-157	163	-5.18317
-156	163	-5.43096
-155	163	-5.81953
-154	163	-6.11726
-153	163	-6.54677
-152	163	-6.87933
-151	163	-7.12768
-150	163	-7.54987
-149	163	-7.99481
-148	163	-8.47925
-147	163	-8.98512
-146	163	-9.5405

-145	163	-10.123
-144	163	-10.7145
-143	163	-11.302
-142	163	-11.8592
-141	163	-12.3525
-140	163	-12.8443
-139	163	-13.14
-138	163	-13.238
-137	163	-13.1203
-136	163	-12.7871
-135	163	-12.2837
-134	163	-11.6584
-133	163	-11.0008
-132	163	-10.3026
-131	163	-9.60688
-130	163	-8.96294
-129	163	-8.33291
-128	163	-7.74099
-127	163	-7.20268
-126	163	-6.71571
-125	163	-6.26174
-124	163	-5.78905
-123	163	-5.48764
-122	163	-5.15759
-121	163	-4.87511
-120	163	-4.64344
-119	163	-4.42889
-118	163	-4.20846
-117	163	-4.03999
-116	163	-3.9373
-115	163	-3.89429
-114	163	-3.90652
-113	163	-3.9601
-112	163	-4.26823
-111	163	-4.43873
-110	163	-4.66419
-109	163	-4.91019
-108	163	-5.26097
-107	163	-5.64755
-106	163	-6.10574
-105	163	-6.66551
-104	163	-7.313
-103	163	-8.05903
-102	163	-8.93171
-101	163	-9.96395
-100	163	-11.1944
-99	163	-12.6772
-98	163	-14.5104
-97	163	-16.8788
-96	163	-20.1457
-95	163	-25.1072
-94	163	-30.5951
-93	163	-25.0934
-92	163	-20.1486
-91	163	-16.9121
-90	163	-14.5736
-89	163	-12.7616
-88	163	-11.3101
-87	163	-10.1167
-86	163	-9.11727
-85	163	-8.27697
-84	163	-7.5802
-83	163	-7.01344
-82	163	-6.90159
-81	163	-6.44206
-80	163	-6.0538
-79	163	-5.72892
-78	163	-5.46418
-77	163	-5.25567
-76	163	-5.09904
-75	163	-4.99149
-74	163	-4.9314
-73	163	-4.91707
-72	163	-4.94786
-71	163	-5.02215
-70	163	-5.13567
-69	163	-5.29849
-68	163	-5.5019
-67	163	-5.75074
-66	163	-6.04526
-65	163	-6.3961
-64	163	-6.79088
-63	163	-7.23695
-62	163	-7.68271
-61	163	-8.23602
-60	163	-8.85016
-59	163	-9.55061
-58	163	-10.3066
-57	163	-11.1377
-56	163	-12.0208
-55	163	-12.9956
-54	163	-14.0068
-53	163	-15.334
-52	163	-16.3455
-51	163	-16.5987
-50	163	-16.8756
-49	163	-16.6358

-48	163	-16.0196
-47	163	-15.1637
-46	163	-14.1978
-45	163	-13.2582
-44	163	-12.3597
-43	163	-11.5208
-42	163	-10.7441
-41	163	-10.0409
-40	163	-9.38849
-39	163	-8.81674
-38	163	-8.27486
-37	163	-7.74211
-36	163	-7.29288
-35	163	-6.89944
-34	163	-6.51488
-33	163	-6.17567
-32	163	-5.86952
-31	163	-5.60407
-30	163	-5.35651
-29	163	-5.15401
-28	163	-4.9404
-27	163	-4.56531
-26	163	-4.44777
-25	163	-4.35587
-24	163	-4.21208
-23	163	-4.08158
-22	163	-3.96239
-21	163	-3.85635
-20	163	-3.75822
-19	163	-3.66808
-18	163	-3.58918
-17	163	-3.49418
-16	163	-3.43274
-15	163	-3.39055
-14	163	-3.35069
-13	163	-3.25015
-12	163	-3.06703
-11	163	-3.08961
-10	163	-3.15495
-9	163	-3.12219
-8	163	-3.09463
-7	163	-3.07693
-6	163	-3.05653
-5	163	-3.04237
-4	163	-3.03156
-3	163	-3.02608
-2	163	-3.02484
-1	163	-3.03119
0	163	-3.0345
1	163	-3.05366
2	163	-3.07022
3	163	-3.0939
4	163	-3.11298
5	163	-3.14984
6	163	-3.18075
7	163	-3.22426
8	163	-3.15981
9	163	-3.33215
10	163	-3.39401
11	163	-3.50701
12	163	-3.52473
13	163	-3.61189
14	163	-3.70763
15	163	-3.80443
16	163	-3.92588
17	163	-4.05768
18	163	-4.2217
19	163	-4.34758
20	163	-4.47495
21	163	-4.75743
22	163	-4.97052
23	163	-5.17151
24	163	-5.48485
25	163	-5.8898
26	163	-6.21337
27	163	-6.67834
28	163	-7.0507
29	163	-7.34888
30	163	-7.83073
31	163	-8.34966
32	163	-8.92287
33	163	-9.53762
34	163	-10.2191
35	163	-10.9572
36	163	-11.7427
37	163	-12.4677
38	163	-13.2565
39	163	-14.0394
40	163	-14.7242
41	163	-15.1877
42	163	-15.3262
43	163	-15.0992
44	163	-14.549
45	163	-13.7841
46	163	-12.8976
47	163	-12.0229
48	163	-11.1451

49	163	-10.308
50	163	-9.55622
51	163	-8.83547
52	163	-8.17624
53	163	-7.58955
54	163	-7.05832
55	163	-6.5712
56	163	-6.13638
57	163	-5.75943
58	163	-5.41626
59	163	-5.12257
60	163	-4.87863
61	163	-4.6694
62	163	-4.50202
63	163	-4.37685
64	163	-4.29172
65	163	-4.24837
66	163	-4.25248
67	163	-4.29672
68	163	-4.38294
69	163	-4.51477
70	163	-4.69494
71	163	-4.92439
72	163	-5.20751
73	163	-5.54921
74	163	-5.95822
75	163	-6.44323
76	163	-7.00557
77	163	-7.63743
78	163	-8.35463
79	163	-9.1984
80	163	-10.1955
81	163	-11.3762
82	163	-12.7859
83	163	-14.5082
84	163	-16.6814
85	163	-19.5508
86	163	-23.505
87	163	-27.8153
88	163	-22.1711
89	163	-18.4489
90	163	-15.8314
91	163	-13.8428
92	163	-12.2786
93	163	-10.9985
94	163	-10.1681
95	163	-9.05133
96	163	-8.24629
97	163	-7.5867
98	163	-7.02832
99	163	-6.54696
100	163	-6.13911
101	163	-5.79787
102	163	-5.518
103	163	-5.29555
104	163	-5.12865
105	163	-5.01244
106	163	-4.9423
107	163	-4.91435
108	163	-4.93908
109	163	-5.00532
110	163	-5.10802
111	163	-5.2634
112	163	-5.46589
113	163	-5.71398
114	163	-6.00591
115	163	-6.32103
116	163	-6.64887
117	163	-7.11966
118	163	-7.54711
119	163	-8.05484
120	163	-8.63455
121	163	-9.29912
122	163	-10.0048
123	163	-10.7666
124	163	-11.5825
125	163	-12.473
126	163	-13.4059
127	163	-13.4745
128	163	-13.92
129	163	-14.4912
130	163	-14.8966
131	163	-14.9545
132	163	-14.6906
133	163	-14.2373
134	163	-13.6092
135	163	-12.8235
136	163	-12.0167
137	163	-11.4013
138	163	-10.7049
139	163	-10.0132
140	163	-9.42426
141	163	-8.98391
142	163	-8.51815
143	163	-7.93217
144	163	-7.49184
145	163	-7.09311

146	163	-6.71175
147	163	-6.37765
148	163	-6.07329
149	163	-5.80832
150	163	-5.56586
151	163	-5.36423
152	163	-5.1498
153	163	-4.76383
154	163	-4.63533
155	163	-4.53998
156	163	-4.3953
157	163	-4.26932
158	163	-4.15011
159	163	-4.03644
160	163	-3.92961
161	163	-3.82603
162	163	-3.69917
163	163	-3.60647
164	163	-3.58316
165	163	-3.53145
166	163	-3.46915
167	163	-3.41629
168	163	-3.36655
169	163	-3.32217
170	163	-3.2935
171	163	-3.25847
172	163	-3.2301
173	163	-3.20642
174	163	-3.18686
175	163	-3.17496
176	163	-3.17052
177	163	-3.16716
178	163	-3.16434
179	163	-3.16496
180	163	-3.16252
-180	164	-4.13615
-179	164	-4.1642
-178	164	-4.19135
-177	164	-4.22782
-176	164	-4.27056
-175	164	-4.31877
-174	164	-4.38066
-173	164	-4.44656
-172	164	-4.51607
-171	164	-4.60093
-170	164	-4.69355
-169	164	-4.79566
-168	164	-4.90722
-167	164	-5.02769
-166	164	-5.15915
-165	164	-5.39401
-164	164	-5.54044
-163	164	-5.67102
-162	164	-5.80938
-161	164	-6.22769
-160	164	-6.46424
-159	164	-6.59877
-158	164	-6.88182
-157	164	-7.18914
-156	164	-7.52061
-155	164	-7.87464
-154	164	-8.25001
-153	164	-8.6518
-152	164	-9.05775
-151	164	-9.51218
-150	164	-9.99319
-149	164	-10.4874
-148	164	-11.0076
-147	164	-11.5142
-146	164	-12.002
-145	164	-12.4508
-144	164	-12.9059
-143	164	-13.2328
-142	164	-13.4179
-141	164	-13.4224
-140	164	-13.2399
-139	164	-12.8916
-138	164	-12.4101
-137	164	-11.8385
-136	164	-11.2166
-135	164	-10.5871
-134	164	-9.93813
-133	164	-9.30683
-132	164	-8.70555
-131	164	-8.14085
-130	164	-7.62561
-129	164	-7.14264
-128	164	-6.69132
-127	164	-6.27061
-126	164	-5.82626
-125	164	-5.54873
-124	164	-5.26087
-123	164	-5.00214
-122	164	-4.76514
-121	164	-4.56728
-120	164	-4.35725
-119	164	-4.1876

-118	164	-4.06813
-117	164	-3.9948
-116	164	-3.96102
-115	164	-3.94416
-114	164	-4.17307
-113	164	-4.29
-112	164	-4.44782
-111	164	-4.60513
-110	164	-4.85699
-109	164	-5.1634
-108	164	-5.52753
-107	164	-5.955
-106	164	-6.44753
-105	164	-7.01703
-104	164	-7.67485
-103	164	-8.43566
-102	164	-9.31837
-101	164	-10.3494
-100	164	-11.5684
-99	164	-13.0329
-98	164	-14.8398
-97	164	-17.1628
-96	164	-20.348
-95	164	-25.1911
-94	164	-31.4085
-93	164	-26.2785
-92	164	-21.0582
-91	164	-17.704
-90	164	-15.3063
-89	164	-13.4704
-88	164	-12.0001
-87	164	-10.7893
-86	164	-9.77706
-85	164	-8.92627
-84	164	-8.22295
-83	164	-7.72379
-82	164	-7.25308
-81	164	-6.76151
-80	164	-6.34417
-79	164	-5.98635
-78	164	-5.68657
-77	164	-5.44063
-76	164	-5.24339
-75	164	-5.09323
-74	164	-4.98714
-73	164	-4.92334
-72	164	-4.89916
-71	164	-4.91502
-70	164	-4.96992
-69	164	-5.06188
-68	164	-5.18839
-67	164	-5.35272
-66	164	-5.55336
-65	164	-5.79109
-64	164	-6.06758
-63	164	-6.39189
-62	164	-6.7529
-61	164	-7.14843
-60	164	-7.60188
-59	164	-8.09715
-58	164	-8.58344
-57	164	-9.18367
-56	164	-9.8617
-55	164	-10.5867
-54	164	-11.3767
-53	164	-12.2236
-52	164	-13.1305
-51	164	-14.0708
-50	164	-15.0207
-49	164	-15.8403
-48	164	-16.8815
-47	164	-17.3462
-46	164	-16.9105
-45	164	-16.4541
-44	164	-15.797
-43	164	-15.0033
-42	164	-14.1576
-41	164	-13.3268
-40	164	-12.5228
-39	164	-11.7751
-38	164	-11.1035
-37	164	-10.4553
-36	164	-9.84161
-35	164	-9.31537
-34	164	-8.83063
-33	164	-8.39109
-32	164	-7.9874
-31	164	-7.60408
-30	164	-7.27265
-29	164	-6.94885
-28	164	-6.64578
-27	164	-6.3692
-26	164	-6.12054
-25	164	-5.89173
-24	164	-5.68916
-23	164	-5.51333
-22	164	-5.35082

-21	164	-5.21287
-20	164	-5.07544
-19	164	-4.87838
-18	164	-4.82141
-17	164	-4.66984
-16	164	-4.55747
-15	164	-4.43839
-14	164	-4.35558
-13	164	-4.28062
-12	164	-4.21987
-11	164	-4.16331
-10	164	-4.1167
-9	164	-4.08668
-8	164	-4.07404
-7	164	-4.02978
-6	164	-3.93792
-5	164	-3.80438
-4	164	-3.81767
-3	164	-3.95711
-2	164	-3.9765
-1	164	-3.98748
0	164	-4.00971
1	164	-4.04656
2	164	-4.07057
3	164	-4.11254
4	164	-4.1577
5	164	-4.21336
6	164	-4.28265
7	164	-4.36261
8	164	-4.44188
9	164	-4.53601
10	164	-4.62734
11	164	-4.72289
12	164	-4.74452
13	164	-5.0237
14	164	-5.09168
15	164	-5.30216
16	164	-5.52801
17	164	-5.72156
18	164	-5.93372
19	164	-6.27997
20	164	-6.52323
21	164	-6.67924
22	164	-6.99076
23	164	-7.33673
24	164	-7.7127
25	164	-8.11819
26	164	-8.99568
27	164	-9.05462
28	164	-9.53344
29	164	-10.0995
30	164	-10.698
31	164	-11.3472
32	164	-12.0449
33	164	-12.7689
34	164	-13.5091
35	164	-14.2386
36	164	-14.7976
37	164	-15.3074
38	164	-14.6891
39	164	-15.5176
40	164	-15.233
41	164	-14.6709
42	164	-13.9381
43	164	-13.1216
44	164	-12.2845
45	164	-11.4776
46	164	-10.6861
47	164	-9.94175
48	164	-9.24997
49	164	-8.6064
50	164	-8.02645
51	164	-7.4958
52	164	-7.00037
53	164	-6.55166
54	164	-6.15764
55	164	-5.796
56	164	-5.49667
57	164	-5.22379
58	164	-4.97963
59	164	-4.77253
60	164	-4.60146
61	164	-4.467
62	164	-4.36716
63	164	-4.30366
64	164	-4.28237
65	164	-4.29468
66	164	-4.34381
67	164	-4.43188
68	164	-4.55991
69	164	-4.73003
70	164	-4.94397
71	164	-5.20578
72	164	-5.51911
73	164	-5.88763
74	164	-6.31384
75	164	-6.80545

76	164	-7.3729
77	164	-8.03058
78	164	-8.79787
79	164	-9.68267
80	164	-10.6892
81	164	-11.8529
82	164	-13.2412
83	164	-14.9487
84	164	-17.0919
85	164	-19.9009
86	164	-23.6618
87	164	-27.2189
88	164	-22.1878
89	164	-18.718
90	164	-16.5422
91	164	-14.3686
92	164	-12.628
93	164	-11.3626
94	164	-10.2967
95	164	-9.38536
96	164	-8.60754
97	164	-7.93426
98	164	-7.35698
99	164	-6.85312
100	164	-6.42461
101	164	-6.0559
102	164	-5.7458
103	164	-5.52781
104	164	-5.28562
105	164	-5.12588
106	164	-5.01079
107	164	-4.93558
108	164	-4.89944
109	164	-4.9075
110	164	-4.96121
111	164	-5.05032
112	164	-5.16853
113	164	-5.35262
114	164	-5.50632
115	164	-5.78177
116	164	-6.05974
117	164	-6.36058
118	164	-6.66888
119	164	-7.03998
120	164	-7.45926
121	164	-7.91942
122	164	-8.43589
123	164	-9.00386
124	164	-9.63638
125	164	-10.3206
126	164	-11.0388
127	164	-11.7615
128	164	-12.5575
129	164	-13.4766
130	164	-13.7165
131	164	-14.5256
132	164	-14.5657
133	164	-14.7595
134	164	-14.8669
135	164	-14.871
136	164	-14.5569
137	164	-14.0292
138	164	-13.4276
139	164	-12.8018
140	164	-12.1814
141	164	-11.5773
142	164	-10.9844
143	164	-10.4205
144	164	-9.89297
145	164	-9.40621
146	164	-8.94469
147	164	-8.52058
148	164	-8.13029
149	164	-7.76457
150	164	-7.44577
151	164	-7.13717
152	164	-6.84123
153	164	-6.56885
154	164	-6.3203
155	164	-6.08991
156	164	-5.88736
157	164	-5.70948
158	164	-5.54416
159	164	-5.4029
160	164	-5.2508
161	164	-5.00601
162	164	-4.92213
163	164	-4.82025
164	164	-4.7424
165	164	-4.60751
166	164	-4.52345
167	164	-4.4496
168	164	-4.38654
169	164	-4.33178
170	164	-4.2898
171	164	-4.24616
172	164	-4.21329

173	164	-4.188
174	164	-4.16551
175	164	-4.14432
176	164	-4.12884
177	164	-4.12087
178	164	-4.11928
179	164	-4.12571
180	164	-4.13615
-180	165	-5.7766
-179	165	-5.81389
-178	165	-5.85079
-177	165	-5.89993
-176	165	-5.96087
-175	165	-6.02781
-174	165	-6.11244
-173	165	-6.20699
-172	165	-6.31314
-171	165	-6.41785
-170	165	-6.55776
-169	165	-6.70648
-168	165	-6.87122
-167	165	-7.04889
-166	165	-7.24119
-165	165	-7.44282
-164	165	-7.6738
-163	165	-7.91894
-162	165	-8.19388
-161	165	-8.44522
-160	165	-8.75318
-159	165	-9.07161
-158	165	-9.41173
-157	165	-9.7727
-156	165	-10.1504
-155	165	-10.5453
-154	165	-10.9585
-153	165	-11.3774
-152	165	-11.8024
-151	165	-12.2237
-150	165	-12.5718
-149	165	-12.9121
-148	165	-13.3019
-147	165	-13.527
-146	165	-13.6379
-145	165	-13.6118
-144	165	-13.4363
-143	165	-13.1438
-142	165	-12.7355
-141	165	-12.2374
-140	165	-11.6766
-139	165	-11.0981
-138	165	-10.5269
-137	165	-9.94387
-136	165	-9.37429
-135	165	-8.82739
-134	165	-8.30151
-133	165	-7.81509
-132	165	-7.36312
-131	165	-6.93018
-130	165	-6.53392
-129	165	-6.19818
-128	165	-5.82527
-127	165	-5.54944
-126	165	-5.28244
-125	165	-5.02806
-124	165	-4.83879
-123	165	-4.60921
-122	165	-4.41551
-121	165	-4.25498
-120	165	-4.1281
-119	165	-4.03865
-118	165	-3.9788
-117	165	-4.11217
-116	165	-4.15912
-115	165	-4.22773
-114	165	-4.29123
-113	165	-4.43696
-112	165	-4.62663
-111	165	-4.86692
-110	165	-5.14971
-109	165	-5.48338
-108	165	-5.87298
-107	165	-6.31673
-106	165	-6.82668
-105	165	-7.40957
-104	165	-8.07745
-103	165	-8.84386
-102	165	-9.73189
-101	165	-10.7664
-100	165	-11.9825
-99	165	-13.4375
-98	165	-15.2266
-97	165	-17.5147
-96	165	-20.6329
-95	165	-25.3536
-94	165	-32.2675
-93	165	-27.7182
-92	165	-22.1311

-91	165	-18.6259
-90	165	-16.1487
-89	165	-14.2631
-88	165	-12.7602
-87	165	-11.527
-86	165	-10.4976
-85	165	-9.62665
-84	165	-8.8911
-83	165	-8.25312
-82	165	-7.63841
-81	165	-7.12411
-80	165	-6.68063
-79	165	-6.29584
-78	165	-5.96591
-77	165	-5.68606
-76	165	-5.45204
-75	165	-5.26297
-74	165	-5.11167
-73	165	-4.99929
-72	165	-4.92352
-71	165	-4.8831
-70	165	-4.87706
-69	165	-4.89759
-68	165	-4.95921
-67	165	-5.05433
-66	165	-5.17849
-65	165	-5.33349
-64	165	-5.51996
-63	165	-5.7379
-62	165	-5.98806
-61	165	-6.27204
-60	165	-6.59706
-59	165	-6.95349
-58	165	-7.34966
-57	165	-7.79081
-56	165	-8.27278
-55	165	-8.79966
-54	165	-9.30329
-53	165	-9.92847
-52	165	-10.5861
-51	165	-11.2852
-50	165	-12.027
-49	165	-12.8087
-48	165	-13.6305
-47	165	-14.4632
-46	165	-15.2435
-45	165	-15.9553
-44	165	-16.5133
-43	165	-16.7804
-42	165	-16.9323
-41	165	-16.8993
-40	165	-16.3658
-39	165	-15.5677
-38	165	-14.8389
-37	165	-14.1514
-36	165	-13.4715
-35	165	-12.8047
-34	165	-12.1491
-33	165	-11.5395
-32	165	-11.0062
-31	165	-10.5163
-30	165	-10.0492
-29	165	-9.62618
-28	165	-9.23089
-27	165	-8.86837
-26	165	-8.53863
-25	165	-8.23181
-24	165	-7.95441
-23	165	-7.69107
-22	165	-7.45323
-21	165	-7.24307
-20	165	-7.03986
-19	165	-6.8572
-18	165	-6.68018
-17	165	-6.52944
-16	165	-6.38564
-15	165	-6.2594
-14	165	-6.15043
-13	165	-6.05352
-12	165	-5.96094
-11	165	-5.88798
-10	165	-5.81472
-9	165	-5.75712
-8	165	-5.71161
-7	165	-5.67185
-6	165	-5.6393
-5	165	-5.62173
-4	165	-5.61122
-3	165	-5.60571
-2	165	-5.62903
-1	165	-5.6739
0	165	-5.6863
1	165	-5.71266
2	165	-5.64955
3	165	-5.59859
4	165	-5.69542
5	165	-5.97846

6	165	-6.08866
7	165	-6.13458
8	165	-6.21767
9	165	-6.38927
10	165	-6.57743
11	165	-6.73058
12	165	-6.9042
13	165	-7.10063
14	165	-7.29668
15	165	-7.52842
16	165	-7.72869
17	165	-7.9602
18	165	-8.42621
19	165	-8.70926
20	165	-9.06155
21	165	-9.44366
22	165	-9.86183
23	165	-10.3137
24	165	-10.7952
25	165	-11.3113
26	165	-11.864
27	165	-12.4454
28	165	-13.0675
29	165	-13.6982
30	165	-15.1845
31	165	-14.8507
32	165	-15.315
33	165	-15.6788
34	165	-15.8628
35	165	-15.7982
36	165	-15.51
37	165	-15.0173
38	165	-14.4961
39	165	-13.1537
40	165	-12.8889
41	165	-12.1146
42	165	-11.3904
43	165	-10.6746
44	165	-9.99391
45	165	-9.35905
46	165	-8.7658
47	165	-8.22868
48	165	-7.73472
49	165	-7.26631
50	165	-6.83484
51	165	-6.4529
52	165	-6.09552
53	165	-5.77173
54	165	-5.49018
55	165	-5.22943
56	165	-5.00115
57	165	-4.80499
58	165	-4.64672
59	165	-4.51506
60	165	-4.41696
61	165	-4.35372
62	165	-4.31776
63	165	-4.31332
64	165	-4.35247
65	165	-4.41032
66	165	-4.50188
67	165	-4.62859
68	165	-4.79267
69	165	-4.997
70	165	-5.24545
71	165	-5.53962
72	165	-5.8845
73	165	-6.27777
74	165	-6.72703
75	165	-7.23903
76	165	-7.82245
77	165	-8.487
78	165	-9.25023
79	165	-10.1332
80	165	-11.1552
81	165	-12.3666
82	165	-13.7976
83	165	-15.5101
84	165	-17.5863
85	165	-19.6272
86	165	-22.8272
87	165	-26.6121
88	165	-22.2484
89	165	-18.8958
90	165	-16.4704
91	165	-14.5795
92	165	-13.0559
93	165	-11.7855
94	165	-10.7098
95	165	-9.7881
96	165	-9.00017
97	165	-8.31568
98	165	-7.72357
99	165	-7.22108
100	165	-6.74601
101	165	-6.35362
102	165	-6.01359

103	165	-5.72863
104	165	-5.48981
105	165	-5.29446
106	165	-5.1344
107	165	-5.01605
108	165	-4.9312
109	165	-4.93157
110	165	-4.85669
111	165	-4.90662
112	165	-4.96449
113	165	-5.05839
114	165	-5.18349
115	165	-5.34256
116	165	-5.54291
117	165	-5.76591
118	165	-6.00376
119	165	-6.18257
120	165	-6.59967
121	165	-6.92891
122	165	-7.39979
123	165	-7.8847
124	165	-8.27011
125	165	-8.64486
126	165	-9.05819
127	165	-9.51059
128	165	-10.2669
129	165	-10.9437
130	165	-11.6234
131	165	-12.3257
132	165	-12.3824
133	165	-13.0401
134	165	-13.6644
135	165	-14.224
136	165	-14.6893
137	165	-14.7178
138	165	-14.8313
139	165	-14.7623
140	165	-14.5685
141	165	-14.2505
142	165	-13.8392
143	165	-13.357
144	165	-12.8508
145	165	-12.3592
146	165	-11.8828
147	165	-11.4098
148	165	-10.9273
149	165	-10.4574
150	165	-10.028
151	165	-9.6392
152	165	-9.28177
153	165	-8.94147
154	165	-8.62749
155	165	-8.33516
156	165	-8.06576
157	165	-7.80914
158	165	-7.57849
159	165	-7.35075
160	165	-7.09188
161	165	-6.88252
162	165	-6.76575
163	165	-6.67493
164	165	-6.52787
165	165	-6.39837
166	165	-6.28962
167	165	-6.19191
168	165	-6.10626
169	165	-6.04227
170	165	-5.97605
171	165	-5.91689
172	165	-5.86352
173	165	-5.8185
174	165	-5.78389
175	165	-5.76041
176	165	-5.74566
177	165	-5.7413
178	165	-5.74548
179	165	-5.75899
180	165	-5.7766
-180	166	-8.14268
-179	166	-8.20798
-178	166	-8.26448
-177	166	-8.3326
-176	166	-8.41911
-175	166	-8.51478
-174	166	-8.62135
-173	166	-8.74729
-172	166	-8.88359
-171	166	-9.04089
-170	166	-9.20668
-169	166	-9.39103
-168	166	-9.59154
-167	166	-9.80424
-166	166	-10.0369
-165	166	-10.2746
-164	166	-10.6404
-163	166	-10.9645
-162	166	-11.1147

-161	166	-11.4077
-160	166	-11.7128
-159	166	-12.0245
-158	166	-12.3364
-157	166	-12.6468
-156	166	-12.9355
-155	166	-13.1994
-154	166	-13.5299
-153	166	-13.7362
-152	166	-13.8565
-151	166	-13.8994
-150	166	-13.8155
-149	166	-13.6426
-148	166	-13.3836
-147	166	-13.0297
-146	166	-12.6199
-145	166	-12.1622
-144	166	-11.6655
-143	166	-11.1615
-142	166	-10.655
-141	166	-10.1384
-140	166	-9.63046
-139	166	-9.14111
-138	166	-8.66701
-137	166	-8.22161
-136	166	-7.78089
-135	166	-7.38145
-134	166	-6.99309
-133	166	-6.64321
-132	166	-6.30797
-131	166	-5.91462
-130	166	-5.70179
-129	166	-5.44408
-128	166	-5.20207
-127	166	-5.00047
-126	166	-4.75969
-125	166	-4.55349
-124	166	-4.38762
-123	166	-4.25555
-122	166	-4.14386
-121	166	-4.06008
-120	166	-4.14037
-119	166	-4.13271
-118	166	-4.14954
-117	166	-4.15092
-116	166	-4.22982
-115	166	-4.34267
-114	166	-4.49139
-113	166	-4.67565
-112	166	-4.9056
-111	166	-5.17232
-110	166	-5.47662
-109	166	-5.83296
-108	166	-6.24338
-107	166	-6.70452
-106	166	-7.2304
-105	166	-7.82886
-104	166	-8.50808
-103	166	-9.28556
-102	166	-10.1779
-101	166	-11.2077
-100	166	-12.4126
-99	166	-13.8478
-98	166	-15.6021
-97	166	-17.8325
-96	166	-20.8464
-95	166	-25.3837
-94	166	-32.6893
-93	166	-29.2754
-92	166	-23.2188
-91	166	-19.5125
-90	166	-16.9293
-89	166	-14.9716
-88	166	-13.4151
-87	166	-12.1363
-86	166	-11.0635
-85	166	-10.1491
-84	166	-9.3707
-83	166	-8.69394
-82	166	-8.11252
-81	166	-7.56573
-80	166	-7.09897
-79	166	-6.68701
-78	166	-6.32473
-77	166	-6.00993
-76	166	-5.7393
-75	166	-5.5085
-74	166	-5.31538
-73	166	-5.15683
-72	166	-5.03205
-71	166	-4.93992
-70	166	-4.87841
-69	166	-4.8483
-68	166	-4.84653
-67	166	-4.87268
-66	166	-4.92892
-65	166	-5.01407

-64	166	-5.12778
-63	166	-5.27021
-62	166	-5.44108
-61	166	-5.64046
-60	166	-5.86647
-59	166	-6.11812
-58	166	-6.39502
-57	166	-6.69697
-56	166	-7.03163
-55	166	-7.3878
-54	166	-7.77617
-53	166	-8.19604
-52	166	-8.64873
-51	166	-9.13786
-50	166	-9.61015
-49	166	-10.1652
-48	166	-10.7574
-47	166	-11.3797
-46	166	-12.0254
-45	166	-12.7037
-44	166	-13.408
-43	166	-14.1109
-42	166	-14.7824
-41	166	-15.4365
-40	166	-16.0003
-39	166	-16.4552
-38	166	-16.7465
-37	166	-16.7732
-36	166	-16.6941
-35	166	-16.5875
-34	166	-16.2475
-33	166	-15.6308
-32	166	-14.9916
-31	166	-14.4919
-30	166	-14.0022
-29	166	-13.4647
-28	166	-12.9483
-27	166	-12.4738
-26	166	-12.0316
-25	166	-11.6274
-24	166	-11.2586
-23	166	-10.9154
-22	166	-10.5996
-21	166	-10.3091
-20	166	-10.04
-19	166	-9.79344
-18	166	-9.56774
-17	166	-9.36391
-16	166	-9.17998
-15	166	-9.01137
-14	166	-8.88076
-13	166	-8.74492
-12	166	-8.63452
-11	166	-8.52804
-10	166	-8.43522
-9	166	-8.34764
-8	166	-8.26988
-7	166	-8.19474
-6	166	-8.12474
-5	166	-8.06752
-4	166	-8.03777
-3	166	-8.03512
-2	166	-8.07687
-1	166	-8.13889
0	166	-8.18709
1	166	-8.2596
2	166	-8.31925
3	166	-8.41218
4	166	-8.51254
5	166	-8.62953
6	166	-8.75216
7	166	-8.92603
8	166	-9.11794
9	166	-9.2684
10	166	-9.42538
11	166	-9.50363
12	166	-9.57671
13	166	-9.7818
14	166	-10.3278
15	166	-10.7685
16	166	-11.1506
17	166	-11.5015
18	166	-11.8831
19	166	-12.3068
20	166	-12.7611
21	166	-13.213
22	166	-13.7353
23	166	-14.3632
24	166	-14.8663
25	166	-15.3167
26	166	-15.6688
27	166	-15.9001
28	166	-16.124
29	166	-16.1728
30	166	-16.0333
31	166	-15.7512
32	166	-15.2984

33	166	-14.7722
34	166	-14.1569
35	166	-13.3459
36	166	-12.8384
37	166	-12.1173
38	166	-11.486
39	166	-10.9451
40	166	-10.2435
41	166	-9.65187
42	166	-9.10818
43	166	-8.61388
44	166	-8.13226
45	166	-7.69472
46	166	-7.27407
47	166	-6.89326
48	166	-6.53331
49	166	-6.20202
50	166	-5.89891
51	166	-5.63286
52	166	-5.38345
53	166	-5.16129
54	166	-4.96777
55	166	-4.79731
56	166	-4.65644
57	166	-4.54404
58	166	-4.45178
59	166	-4.38475
60	166	-4.34315
61	166	-4.32772
62	166	-4.33906
63	166	-4.37909
64	166	-4.4491
65	166	-4.55084
66	166	-4.68542
67	166	-4.85335
68	166	-5.06323
69	166	-5.30494
70	166	-5.58443
71	166	-5.90177
72	166	-6.26571
73	166	-6.68088
74	166	-7.14718
75	166	-7.67891
76	166	-8.28225
77	166	-8.95299
78	166	-9.64691
79	166	-10.386
80	166	-11.4823
81	166	-12.842
82	166	-14.217
83	166	-15.905
84	166	-17.9997
85	166	-20.6953
86	166	-28.601
87	166	-26.1162
88	166	-22.097
89	166	-19.0705
90	166	-16.7707
91	166	-14.942
92	166	-13.4418
93	166	-12.1884
94	166	-11.145
95	166	-10.2039
96	166	-9.41588
97	166	-8.71939
98	166	-8.11002
99	166	-7.57015
100	166	-7.10065
101	166	-6.68907
102	166	-6.33352
103	166	-6.00653
104	166	-5.80613
105	166	-5.48918
106	166	-5.32814
107	166	-5.16068
108	166	-5.02449
109	166	-4.92885
110	166	-4.88498
111	166	-4.89171
112	166	-4.95585
113	166	-5.05235
114	166	-5.12191
115	166	-5.153
116	166	-5.17535
117	166	-5.22085
118	166	-5.33971
119	166	-5.63702
120	166	-5.88934
121	166	-6.13671
122	166	-6.38658
123	166	-6.64191
124	166	-6.96259
125	166	-7.2993
126	166	-7.66234
127	166	-8.0491
128	166	-8.46583
129	166	-8.92122

130	166	-9.41695
131	166	-9.92692
132	166	-10.473
133	166	-11.0515
134	166	-11.6397
135	166	-11.6729
136	166	-12.2459
137	166	-12.8167
138	166	-13.3468
139	166	-13.9335
140	166	-14.3412
141	166	-14.6547
142	166	-14.867
143	166	-14.7346
144	166	-14.7357
145	166	-14.6428
146	166	-14.4485
147	166	-14.176
148	166	-13.8483
149	166	-13.4956
150	166	-13.1356
151	166	-12.7632
152	166	-12.3841
153	166	-12.0103
154	166	-11.6524
155	166	-11.3063
156	166	-10.985
157	166	-10.6893
158	166	-10.3912
159	166	-10.0785
160	166	-9.80781
161	166	-9.65924
162	166	-9.5302
163	166	-9.34438
164	166	-9.15814
165	166	-8.99995
166	166	-8.86887
167	166	-8.7228
168	166	-8.60054
169	166	-8.48313
170	166	-8.38819
171	166	-8.30697
172	166	-8.2398
173	166	-8.18585
174	166	-8.14597
175	166	-8.10808
176	166	-8.08988
177	166	-8.08487
178	166	-8.09277
179	166	-8.11443
180	166	-8.14268
-180	167	-11.3429
-179	167	-11.4022
-178	167	-11.4732
-177	167	-11.5557
-176	167	-11.6457
-175	167	-11.7603
-174	167	-11.87
-173	167	-12.0011
-172	167	-12.1377
-171	167	-12.3021
-170	167	-12.4627
-169	167	-12.6295
-168	167	-12.8127
-167	167	-12.9867
-166	167	-13.1383
-165	167	-13.4525
-164	167	-13.4305
-163	167	-13.7134
-162	167	-13.857
-161	167	-13.974
-160	167	-14.0621
-159	167	-14.1077
-158	167	-14.0975
-157	167	-14.032
-156	167	-13.906
-155	167	-13.7187
-154	167	-13.4718
-153	167	-13.1676
-152	167	-12.8232
-151	167	-12.4503
-150	167	-12.0397
-149	167	-11.6122
-148	167	-11.1801
-147	167	-10.7268
-146	167	-10.3034
-145	167	-9.85704
-144	167	-9.43189
-143	167	-9.0295
-142	167	-8.63111
-141	167	-8.23959
-140	167	-7.86927
-139	167	-7.49592
-138	167	-7.16627
-137	167	-6.83237
-136	167	-6.5167
-135	167	-6.25131

-134	167	-5.94356
-133	167	-5.72884
-132	167	-5.4948
-131	167	-5.27077
-130	167	-5.12923
-129	167	-4.88151
-128	167	-4.65637
-127	167	-4.46686
-126	167	-4.31062
-125	167	-4.18618
-124	167	-4.21872
-123	167	-4.18938
-122	167	-4.13969
-121	167	-4.13538
-120	167	-4.10587
-119	167	-4.14895
-118	167	-4.21113
-117	167	-4.30828
-116	167	-4.43475
-115	167	-4.58512
-114	167	-4.77021
-113	167	-4.98822
-112	167	-5.24211
-111	167	-5.53561
-110	167	-5.86727
-109	167	-6.24533
-108	167	-6.67391
-107	167	-7.15067
-106	167	-7.69209
-105	167	-8.30876
-104	167	-8.9977
-103	167	-9.77554
-102	167	-10.6653
-101	167	-11.6882
-100	167	-12.8798
-99	167	-14.2953
-98	167	-16.019
-97	167	-18.1973
-96	167	-21.1284
-95	167	-25.5087
-94	167	-32.9089
-93	167	-30.7784
-92	167	-24.2608
-91	167	-20.3726
-90	167	-17.6953
-89	167	-15.6761
-88	167	-14.0704
-87	167	-12.7511
-86	167	-11.6408
-85	167	-10.6893
-84	167	-9.87148
-83	167	-9.16444
-82	167	-8.55298
-81	167	-8.04123
-80	167	-7.54902
-79	167	-7.11136
-78	167	-6.72416
-77	167	-6.38022
-76	167	-6.077
-75	167	-5.8116
-74	167	-5.58241
-73	167	-5.38654
-72	167	-5.22289
-71	167	-5.09014
-70	167	-4.98748
-69	167	-4.91199
-68	167	-4.85769
-67	167	-4.84147
-66	167	-4.84468
-65	167	-4.87127
-64	167	-4.9202
-63	167	-4.99141
-62	167	-5.08454
-61	167	-5.19872
-60	167	-5.33469
-59	167	-5.49165
-58	167	-5.67129
-57	167	-5.87162
-56	167	-6.09251
-55	167	-6.33406
-54	167	-6.59635
-53	167	-6.87983
-52	167	-7.1891
-51	167	-7.51456
-50	167	-7.86476
-49	167	-8.23626
-48	167	-8.63112
-47	167	-9.04849
-46	167	-9.491
-45	167	-9.96499
-44	167	-10.3831
-43	167	-10.8923
-42	167	-11.422
-41	167	-11.966
-40	167	-12.5171
-39	167	-13.0756
-38	167	-13.6641

-37	167	-14.2328
-36	167	-14.7754
-35	167	-15.3643
-34	167	-16.0818
-33	167	-16.6626
-32	167	-16.8244
-31	167	-16.7477
-30	167	-16.7455
-29	167	-16.7636
-28	167	-16.641
-27	167	-16.4271
-26	167	-16.1813
-25	167	-15.8789
-24	167	-15.5553
-23	167	-15.2307
-22	167	-14.9038
-21	167	-14.5831
-20	167	-14.2758
-19	167	-13.9814
-18	167	-13.7051
-17	167	-13.4497
-16	167	-13.215
-15	167	-13.0181
-14	167	-12.8361
-13	167	-12.6557
-12	167	-12.4975
-11	167	-12.3523
-10	167	-12.224
-9	167	-12.1164
-8	167	-12.0277
-7	167	-11.9427
-6	167	-11.8822
-5	167	-11.8512
-4	167	-11.8302
-3	167	-11.822
-2	167	-11.8352
-1	167	-11.8608
0	167	-11.9044
1	167	-11.9852
2	167	-12.0732
3	167	-12.1942
4	167	-12.309
5	167	-12.4701
6	167	-12.6549
7	167	-12.8389
8	167	-13.0597
9	167	-13.2908
10	167	-13.5474
11	167	-13.8005
12	167	-14.1142
13	167	-14.4165
14	167	-14.7185
15	167	-15.0032
16	167	-15.3013
17	167	-15.6337
18	167	-15.9548
19	167	-16.2172
20	167	-16.4146
21	167	-16.3331
22	167	-16.046
23	167	-15.8294
24	167	-15.6677
25	167	-15.3559
26	167	-15.0317
27	167	-14.7294
28	167	-14.3522
29	167	-13.8629
30	167	-12.8489
31	167	-12.8484
32	167	-12.4342
33	167	-11.8859
34	167	-11.2344
35	167	-10.5675
36	167	-9.99038
37	167	-9.53417
38	167	-9.10076
39	167	-8.67759
40	167	-8.21582
41	167	-7.8616
42	167	-7.2254
43	167	-7.18804
44	167	-6.78698
45	167	-6.48461
46	167	-6.22087
47	167	-5.95436
48	167	-5.70763
49	167	-5.48381
50	167	-5.28215
51	167	-5.09592
52	167	-4.93268
53	167	-4.79416
54	167	-4.67128
55	167	-4.56932
56	167	-4.48843
57	167	-4.42923
58	167	-4.39286
59	167	-4.37915

60	167	-4.39028
61	167	-4.42751
62	167	-4.49041
63	167	-4.57868
64	167	-4.6902
65	167	-4.82469
66	167	-4.98465
67	167	-5.17091
68	167	-5.37925
69	167	-5.6161
70	167	-5.91818
71	167	-6.31077
72	167	-6.75464
73	167	-7.20028
74	167	-7.67834
75	167	-8.23267
76	167	-8.85039
77	167	-9.54053
78	167	-10.3259
79	167	-11.2158
80	167	-12.2376
81	167	-13.4239
82	167	-14.8213
83	167	-16.4899
84	167	-18.5377
85	167	-21.0845
86	167	-28.1225
87	167	-25.611
88	167	-22.3427
89	167	-19.2868
90	167	-17.0598
91	167	-15.2728
92	167	-13.7903
93	167	-12.5516
94	167	-11.5052
95	167	-10.5891
96	167	-9.77931
97	167	-9.26634
98	167	-8.62521
99	167	-8.10558
100	167	-7.6951
101	167	-7.30554
102	167	-6.9244
103	167	-6.51698
104	167	-6.11015
105	167	-5.74058
106	167	-5.439
107	167	-5.28596
108	167	-5.2204
109	167	-5.10677
110	167	-4.99409
111	167	-4.9244
112	167	-4.87319
113	167	-4.85962
114	167	-4.86671
115	167	-4.89519
116	167	-4.94418
117	167	-5.01672
118	167	-5.10854
119	167	-5.22303
120	167	-5.36125
121	167	-5.51707
122	167	-5.69106
123	167	-5.8889
124	167	-6.12499
125	167	-6.28674
126	167	-6.63204
127	167	-6.83633
128	167	-7.11544
129	167	-7.42551
130	167	-7.76026
131	167	-8.10309
132	167	-8.47125
133	167	-8.86487
134	167	-9.27308
135	167	-9.71255
136	167	-10.1656
137	167	-10.6291
138	167	-11.118
139	167	-11.1127
140	167	-11.5715
141	167	-12.0325
142	167	-12.4977
143	167	-13.0245
144	167	-13.4322
145	167	-13.815
146	167	-14.1438
147	167	-14.412
148	167	-14.6256
149	167	-14.7729
150	167	-14.8275
151	167	-14.6508
152	167	-14.6237
153	167	-14.525
154	167	-14.415
155	167	-14.2533
156	167	-14.0602

157	167	-13.8461
158	167	-13.6047
159	167	-13.3622
160	167	-13.2053
161	167	-13.0864
162	167	-12.8896
163	167	-12.6616
164	167	-12.4745
165	167	-12.32
166	167	-12.1635
167	167	-12.0111
168	167	-11.8772
169	167	-11.7486
170	167	-11.639
171	167	-11.5384
172	167	-11.4525
173	167	-11.3841
174	167	-11.3331
175	167	-11.2959
176	167	-11.273
177	167	-11.2666
178	167	-11.2786
179	167	-11.3097
180	167	-11.3429
-180	168	-14.3328
-179	168	-14.3611
-178	168	-14.3706
-177	168	-14.389
-176	168	-14.4128
-175	168	-14.4169
-174	168	-14.4397
-173	168	-14.4366
-172	168	-14.4266
-171	168	-14.4195
-170	168	-14.3803
-169	168	-14.344
-168	168	-14.2692
-167	168	-14.1084
-166	168	-14.102
-165	168	-13.7936
-164	168	-13.7987
-163	168	-13.5835
-162	168	-13.3495
-161	168	-13.1018
-160	168	-12.8354
-159	168	-12.5538
-158	168	-12.2558
-157	168	-11.9383
-156	168	-11.624
-155	168	-11.2871
-154	168	-10.9458
-153	168	-10.5804
-152	168	-10.2357
-151	168	-9.88863
-150	168	-9.53928
-149	168	-9.18338
-148	168	-8.8676
-147	168	-8.52145
-146	168	-8.2039
-145	168	-7.89793
-144	168	-7.60804
-143	168	-7.30369
-142	168	-7.01853
-141	168	-6.75157
-140	168	-6.47323
-139	168	-6.2763
-138	168	-5.99282
-137	168	-5.81671
-136	168	-5.59434
-135	168	-5.39194
-134	168	-5.27757
-133	168	-5.07519
-132	168	-4.8792
-131	168	-4.70486
-130	168	-4.54609
-129	168	-4.40299
-128	168	-4.39092
-127	168	-4.30498
-126	168	-4.23926
-125	168	-4.14612
-124	168	-4.12158
-123	168	-4.11529
-122	168	-4.1398
-121	168	-4.18158
-120	168	-4.24315
-119	168	-4.32931
-118	168	-4.43679
-117	168	-4.57452
-116	168	-4.72896
-115	168	-4.91326
-114	168	-5.13428
-113	168	-5.38355
-112	168	-5.66096
-111	168	-5.97783
-110	168	-6.33183
-109	168	-6.72758
-108	168	-7.16952

-107	168	-7.66649
-106	168	-8.21541
-105	168	-8.83473
-104	168	-9.53093
-103	168	-10.3074
-102	168	-11.1971
-101	168	-12.2254
-100	168	-13.4117
-99	168	-14.8055
-98	168	-16.4991
-97	168	-18.6336
-96	168	-21.4714
-95	168	-25.6548
-94	168	-32.756
-93	168	-32.4075
-92	168	-25.4941
-91	168	-21.4164
-90	168	-18.636
-89	168	-16.5488
-88	168	-14.8873
-87	168	-13.5184
-86	168	-12.3574
-85	168	-11.3566
-84	168	-10.4822
-83	168	-9.72099
-82	168	-9.05556
-81	168	-8.48399
-80	168	-8.06152
-79	168	-7.6017
-78	168	-7.19048
-77	168	-6.82252
-76	168	-6.49452
-75	168	-6.20152
-74	168	-5.94315
-73	168	-5.71658
-72	168	-5.51963
-71	168	-5.35035
-70	168	-5.20718
-69	168	-5.09161
-68	168	-4.99842
-67	168	-4.92405
-66	168	-4.87588
-65	168	-4.84624
-64	168	-4.83576
-63	168	-4.84472
-62	168	-4.87206
-61	168	-4.918
-60	168	-4.98188
-59	168	-5.06378
-58	168	-5.16276
-57	168	-5.27948
-56	168	-5.41335
-55	168	-5.5644
-54	168	-5.73152
-53	168	-5.91409
-52	168	-6.11235
-51	168	-6.32533
-50	168	-6.55534
-49	168	-6.79982
-48	168	-7.05811
-47	168	-7.3335
-46	168	-7.62707
-45	168	-7.93125
-44	168	-8.23298
-43	168	-8.56518
-42	168	-8.90647
-41	168	-9.26412
-40	168	-9.64537
-39	168	-10.0261
-38	168	-10.4214
-37	168	-10.8372
-36	168	-11.2548
-35	168	-11.5879
-34	168	-12.0763
-33	168	-12.6505
-32	168	-13.2114
-31	168	-13.5699
-30	168	-13.8336
-29	168	-14.1548
-28	168	-14.5454
-27	168	-14.9216
-26	168	-15.263
-25	168	-15.5799
-24	168	-15.861
-23	168	-16.1042
-22	168	-16.3098
-21	168	-16.4657
-20	168	-16.5853
-19	168	-16.6638
-18	168	-16.7089
-17	168	-16.7277
-16	168	-16.73
-15	168	-16.7178
-14	168	-16.6495
-13	168	-16.6
-12	168	-16.5114
-11	168	-16.4375

-10	168	-16.388
-9	168	-16.345
-8	168	-16.2993
-7	168	-16.2631
-6	168	-16.2441
-5	168	-16.2261
-4	168	-16.2138
-3	168	-16.217
-2	168	-16.2151
-1	168	-16.2309
0	168	-16.2724
1	168	-16.281
2	168	-16.2955
3	168	-16.3734
4	168	-16.4147
5	168	-16.4463
6	168	-16.4873
7	168	-16.5043
8	168	-16.5027
9	168	-16.4864
10	168	-16.4732
11	168	-16.4359
12	168	-16.315
13	168	-16.1947
14	168	-16.0513
15	168	-15.8604
16	168	-15.6188
17	168	-15.3476
18	168	-15.0363
19	168	-14.6918
20	168	-14.3265
21	168	-13.9374
22	168	-13.5327
23	168	-13.1074
24	168	-12.6754
25	168	-12.2393
26	168	-11.8117
27	168	-11.3829
28	168	-10.9658
29	168	-10.5383
30	168	-10.1262
31	168	-9.72895
32	168	-9.35103
33	168	-8.9788
34	168	-8.63068
35	168	-8.31311
36	168	-7.99211
37	168	-7.65502
38	168	-7.33121
39	168	-7.06116
40	168	-6.64825
41	168	-6.59122
42	168	-6.32825
43	168	-6.03285
44	168	-5.7441
45	168	-5.49226
46	168	-5.29014
47	168	-5.12541
48	168	-4.98093
49	168	-4.85772
50	168	-4.74759
51	168	-4.66463
52	168	-4.52736
53	168	-4.32116
54	168	-4.37979
55	168	-4.47611
56	168	-4.41563
57	168	-4.41706
58	168	-4.43884
59	168	-4.47842
60	168	-4.54207
61	168	-4.62797
62	168	-4.72973
63	168	-4.85216
64	168	-5.00051
65	168	-5.17659
66	168	-5.37993
67	168	-5.60887
68	168	-5.86687
69	168	-6.15706
70	168	-6.48264
71	168	-6.84365
72	168	-7.24492
73	168	-7.69239
74	168	-8.18278
75	168	-8.71888
76	168	-9.31932
77	168	-9.95682
78	168	-10.6626
79	168	-11.561
80	168	-12.5014
81	168	-13.6166
82	168	-14.9478
83	168	-16.5444
84	168	-18.7016
85	168	-24.3701
86	168	-25.025

87	168	-26.1316
88	168	-21.6299
89	168	-18.9576
90	168	-17.033
91	168	-15.5809
92	168	-14.2956
93	168	-13.1181
94	168	-12.0584
95	168	-11.1367
96	168	-10.3347
97	168	-9.63008
98	168	-8.99949
99	168	-8.43497
100	168	-7.93807
101	168	-7.49762
102	168	-7.10446
103	168	-6.75248
104	168	-6.44064
105	168	-6.16218
106	168	-5.91458
107	168	-5.69573
108	168	-5.50484
109	168	-5.34052
110	168	-5.20134
111	168	-5.08852
112	168	-4.99678
113	168	-4.92417
114	168	-4.87868
115	168	-4.85096
116	168	-4.8417
117	168	-4.85351
118	168	-4.88562
119	168	-4.93562
120	168	-5.00183
121	168	-5.0877
122	168	-5.19449
123	168	-5.31504
124	168	-5.44831
125	168	-5.6063
126	168	-5.78057
127	168	-5.95357
128	168	-6.16239
129	168	-6.30619
130	168	-6.62752
131	168	-6.77355
132	168	-7.0171
133	168	-7.28152
134	168	-7.54761
135	168	-7.84062
136	168	-8.115
137	168	-8.42579
138	168	-8.74688
139	168	-9.07843
140	168	-9.42964
141	168	-9.7793
142	168	-10.1483
143	168	-10.1218
144	168	-10.4846
145	168	-10.8374
146	168	-11.2021
147	168	-11.6657
148	168	-12.0149
149	168	-12.344
150	168	-12.6752
151	168	-12.9901
152	168	-13.2901
153	168	-13.5637
154	168	-13.8056
155	168	-13.994
156	168	-14.1977
157	168	-14.4292
158	168	-14.5673
159	168	-14.6173
160	168	-14.6834
161	168	-14.7504
162	168	-14.7782
163	168	-14.7875
164	168	-14.7993
165	168	-14.7946
166	168	-14.7408
167	168	-14.7045
168	168	-14.6453
169	168	-14.5928
170	168	-14.5439
171	168	-14.4919
172	168	-14.444
173	168	-14.4052
174	168	-14.2531
175	168	-14.3451
176	168	-14.3258
177	168	-14.321
178	168	-14.3229
179	168	-14.3245
180	168	-14.3328
-180	169	-13.2385
-179	169	-13.1662
-178	169	-13.0961

-177	169	-13.0234
-176	169	-12.9181
-175	169	-12.829
-174	169	-12.7063
-173	169	-12.5873
-172	169	-12.4581
-171	169	-12.2636
-170	169	-12.1322
-169	169	-11.9697
-168	169	-11.8074
-167	169	-11.3617
-166	169	-11.0653
-165	169	-11.0626
-164	169	-10.9002
-163	169	-10.7015
-162	169	-10.4721
-161	169	-10.2358
-160	169	-9.98944
-159	169	-9.75606
-158	169	-9.52406
-157	169	-9.26355
-156	169	-9.004
-155	169	-8.73976
-154	169	-8.49667
-153	169	-8.27259
-152	169	-7.99862
-151	169	-7.78351
-150	169	-7.55281
-149	169	-7.30127
-148	169	-7.07065
-147	169	-6.87282
-146	169	-6.63725
-145	169	-6.4442
-144	169	-6.19474
-143	169	-6.00138
-142	169	-5.85356
-141	169	-5.65837
-140	169	-5.50437
-139	169	-5.40118
-138	169	-5.22847
-137	169	-5.06157
-136	169	-4.89791
-135	169	-4.75735
-134	169	-4.72626
-133	169	-4.61306
-132	169	-4.51493
-131	169	-4.37495
-130	169	-4.30154
-129	169	-4.24258
-128	169	-4.19843
-127	169	-4.17042
-126	169	-4.16061
-125	169	-4.16797
-124	169	-4.19199
-123	169	-4.23834
-122	169	-4.30544
-121	169	-4.38573
-120	169	-4.48978
-119	169	-4.61793
-118	169	-4.76284
-117	169	-4.93339
-116	169	-5.12704
-115	169	-5.34344
-114	169	-5.59044
-113	169	-5.88495
-112	169	-6.1526
-111	169	-6.49103
-110	169	-6.87081
-109	169	-7.28048
-108	169	-7.73446
-107	169	-8.23998
-106	169	-8.80033
-105	169	-9.42495
-104	169	-10.1232
-103	169	-10.9067
-102	169	-11.7907
-101	169	-12.8005
-100	169	-13.9747
-99	169	-15.3477
-98	169	-16.997
-97	169	-19.0565
-96	169	-21.7888
-95	169	-25.7728
-94	169	-32.6205
-93	169	-35.5452
-92	169	-27.4054
-91	169	-22.8997
-90	169	-19.9402
-89	169	-17.7524
-88	169	-16.0333
-87	169	-14.6247
-86	169	-13.4459
-85	169	-12.4298
-84	169	-11.5584
-83	169	-10.8135
-82	169	-10.1816
-81	169	-9.6673

-80	169	-9.21311
-79	169	-8.16412
-78	169	-7.73105
-77	169	-7.34013
-76	169	-6.98776
-75	169	-6.67086
-74	169	-6.38497
-73	169	-6.12933
-72	169	-5.90163
-71	169	-5.70042
-70	169	-5.52331
-69	169	-5.36922
-68	169	-5.23664
-67	169	-5.12479
-66	169	-5.03007
-65	169	-4.95555
-64	169	-4.89885
-63	169	-4.85883
-62	169	-4.83434
-61	169	-4.8257
-60	169	-4.83205
-59	169	-4.85313
-58	169	-4.88853
-57	169	-4.93806
-56	169	-5.00053
-55	169	-5.07694
-54	169	-5.16655
-53	169	-5.26822
-52	169	-5.38284
-51	169	-5.50801
-50	169	-5.647
-49	169	-5.79835
-48	169	-5.94845
-47	169	-6.11985
-46	169	-6.30047
-45	169	-6.49167
-44	169	-6.69394
-43	169	-6.90503
-42	169	-7.12361
-41	169	-7.3514
-40	169	-7.58959
-39	169	-7.84135
-38	169	-8.08433
-37	169	-8.3405
-36	169	-8.60743
-35	169	-8.86497
-34	169	-9.13232
-33	169	-9.44804
-32	169	-9.82422
-31	169	-10.1685
-30	169	-10.4247
-29	169	-10.6235
-28	169	-10.8389
-27	169	-11.0973
-26	169	-11.379
-25	169	-11.6402
-24	169	-11.904
-23	169	-12.1615
-22	169	-12.4157
-21	169	-12.6478
-20	169	-12.8802
-19	169	-13.0974
-18	169	-13.2969
-17	169	-13.4864
-16	169	-13.6703
-15	169	-13.8325
-14	169	-13.9692
-13	169	-14.0745
-12	169	-14.1842
-11	169	-14.2888
-10	169	-14.3752
-9	169	-14.4465
-8	169	-14.5075
-7	169	-14.5567
-6	169	-14.5886
-5	169	-14.6109
-4	169	-14.6277
-3	169	-14.6287
-2	169	-14.5998
-1	169	-14.5723
0	169	-14.5646
1	169	-14.4949
2	169	-14.4116
3	169	-14.3248
4	169	-14.2069
5	169	-14.0768
6	169	-13.9389
7	169	-13.7623
8	169	-13.5858
9	169	-13.4005
10	169	-13.1976
11	169	-12.9835
12	169	-12.7558
13	169	-12.5086
14	169	-12.2422
15	169	-11.9856
16	169	-11.7128

17	169	-11.4414
18	169	-11.1636
19	169	-10.8827
20	169	-10.598
21	169	-10.3284
22	169	-10.058
23	169	-9.7704
24	169	-9.48968
25	169	-9.2068
26	169	-8.93993
27	169	-8.68571
28	169	-8.41422
29	169	-8.14749
30	169	-7.88729
31	169	-7.63172
32	169	-7.3845
33	169	-7.15984
34	169	-6.925
35	169	-6.69787
36	169	-6.48121
37	169	-6.27268
38	169	-6.07212
39	169	-5.8835
40	169	-5.71449
41	169	-5.55751
42	169	-5.42489
43	169	-5.06099
44	169	-5.08639
45	169	-4.97442
46	169	-4.86766
47	169	-4.77429
48	169	-4.69205
49	169	-4.62232
50	169	-4.56585
51	169	-4.51816
52	169	-4.48767
53	169	-4.4714
54	169	-4.47022
55	169	-4.48529
56	169	-4.51573
57	169	-4.56349
58	169	-4.6272
59	169	-4.70916
60	169	-4.81037
61	169	-4.93124
62	169	-5.07231
63	169	-5.23541
64	169	-5.42151
65	169	-5.6319
66	169	-5.86678
67	169	-6.12867
68	169	-6.41814
69	169	-6.73872
70	169	-7.09354
71	169	-7.48626
72	169	-7.91703
73	169	-8.39169
74	169	-8.91549
75	169	-9.49541
76	169	-10.139
77	169	-10.8577
78	169	-11.6639
79	169	-12.5717
80	169	-13.6044
81	169	-14.7936
82	169	-16.1812
83	169	-17.8182
84	169	-19.7941
85	169	-26.7656
86	169	-27.5132
87	169	-25.0723
88	169	-22.1569
89	169	-19.7191
90	169	-17.7527
91	169	-16.1293
92	169	-14.7666
93	169	-13.5974
94	169	-12.585
95	169	-11.6894
96	169	-10.9
97	169	-10.2002
98	169	-9.57225
99	169	-9.00277
100	169	-8.49337
101	169	-8.03209
102	169	-7.61514
103	169	-7.237
104	169	-6.89467
105	169	-6.58649
106	169	-6.30772
107	169	-6.05673
108	169	-5.83188
109	169	-5.63352
110	169	-5.45995
111	169	-5.30876
112	169	-5.17844
113	169	-5.07054

114	169	-4.98205
115	169	-4.91225
116	169	-4.85994
117	169	-4.82684
118	169	-4.80892
119	169	-4.80491
120	169	-4.81904
121	169	-4.84897
122	169	-4.88892
123	169	-4.94601
124	169	-5.01644
125	169	-5.0959
126	169	-5.19464
127	169	-5.30077
128	169	-5.41754
129	169	-5.55333
130	169	-5.68817
131	169	-5.84944
132	169	-5.99539
133	169	-6.16726
134	169	-6.28442
135	169	-6.56286
136	169	-6.66401
137	169	-6.87415
138	169	-7.06409
139	169	-7.28512
140	169	-7.49418
141	169	-7.72984
142	169	-7.95488
143	169	-8.19305
144	169	-8.43295
145	169	-8.67254
146	169	-8.9239
147	169	-9.17332
148	169	-9.43734
149	169	-9.36975
150	169	-9.61329
151	169	-9.87375
152	169	-10.1265
153	169	-10.4483
154	169	-10.6867
155	169	-10.967
156	169	-11.2827
157	169	-11.5353
158	169	-11.6987
159	169	-11.8168
160	169	-11.9763
161	169	-12.1604
162	169	-12.333
163	169	-12.4934
164	169	-12.6385
165	169	-12.7582
166	169	-12.8668
167	169	-12.956
168	169	-13.0423
169	169	-13.118
170	169	-13.1828
171	169	-13.2346
172	169	-13.2746
173	169	-13.3088
174	169	-13.3295
175	169	-13.3332
176	169	-13.3298
177	169	-13.3272
178	169	-13.3043
179	169	-13.2635
180	169	-13.2385
-180	170	-9.99262
-179	170	-9.94204
-178	170	-9.89706
-177	170	-9.81827
-176	170	-9.7575
-175	170	-9.66313
-174	170	-9.57905
-173	170	-9.48616
-172	170	-9.36595
-171	170	-9.27611
-170	170	-9.16822
-169	170	-8.93885
-168	170	-8.85589
-167	170	-8.60333
-166	170	-8.54516
-165	170	-8.4525
-164	170	-8.33857
-163	170	-8.1845
-162	170	-8.01831
-161	170	-7.85823
-160	170	-7.71692
-159	170	-7.54927
-158	170	-7.39519
-157	170	-7.24006
-156	170	-7.06561
-155	170	-6.89278
-154	170	-6.7046
-153	170	-6.52858
-152	170	-6.40316
-151	170	-6.18147

-150	170	-6.0586
-149	170	-5.95559
-148	170	-5.79329
-147	170	-5.65899
-146	170	-5.59644
-145	170	-5.43348
-144	170	-5.30546
-143	170	-5.15308
-142	170	-5.13738
-141	170	-5.00718
-140	170	-4.90463
-139	170	-4.73994
-138	170	-4.64621
-137	170	-4.56134
-136	170	-4.478
-135	170	-4.41098
-134	170	-4.35164
-133	170	-4.30768
-132	170	-4.26591
-131	170	-4.24108
-130	170	-4.22855
-129	170	-4.22577
-128	170	-4.23781
-127	170	-4.2607
-126	170	-4.30137
-125	170	-4.35637
-124	170	-4.42417
-123	170	-4.51024
-122	170	-4.61334
-121	170	-4.7322
-120	170	-4.87272
-119	170	-5.03058
-118	170	-5.20164
-117	170	-5.39756
-116	170	-5.61826
-115	170	-5.85639
-114	170	-6.1212
-113	170	-6.41711
-112	170	-6.73809
-111	170	-7.09064
-110	170	-7.48114
-109	170	-7.90343
-108	170	-8.36322
-107	170	-8.88054
-106	170	-9.46092
-105	170	-10.0952
-104	170	-10.7807
-103	170	-11.5643
-102	170	-12.4432
-101	170	-13.4376
-100	170	-14.5793
-99	170	-15.9138
-98	170	-17.5187
-97	170	-19.4872
-96	170	-22.0518
-95	170	-25.6913
-94	170	-31.8521
-93	170	-39.2399
-92	170	-29.7174
-91	170	-24.6056
-90	170	-21.3743
-89	170	-19.0395
-88	170	-17.2245
-87	170	-15.7566
-86	170	-14.5239
-85	170	-13.4783
-84	170	-12.5738
-83	170	-11.7754
-82	170	-11.0645
-81	170	-10.4305
-80	170	-9.86266
-79	170	-8.80212
-78	170	-8.35297
-77	170	-7.94406
-76	170	-7.57129
-75	170	-7.23269
-74	170	-6.92477
-73	170	-6.64572
-72	170	-6.39183
-71	170	-6.16232
-70	170	-5.95562
-69	170	-5.76942
-68	170	-5.60318
-67	170	-5.45543
-66	170	-5.32486
-65	170	-5.20974
-64	170	-5.11111
-63	170	-5.02707
-62	170	-4.95981
-61	170	-4.90398
-60	170	-4.86162
-59	170	-4.83228
-58	170	-4.8147
-57	170	-4.81543
-56	170	-4.82176
-55	170	-4.83935
-54	170	-4.86202

-53	170	-4.90028
-52	170	-4.95019
-51	170	-5.00808
-50	170	-5.07617
-49	170	-5.15367
-48	170	-5.24039
-47	170	-5.35037
-46	170	-5.43367
-45	170	-5.54183
-44	170	-5.65751
-43	170	-5.78064
-42	170	-5.90817
-41	170	-6.04289
-40	170	-6.18531
-39	170	-6.33217
-38	170	-6.48157
-37	170	-6.63645
-36	170	-6.79998
-35	170	-6.96509
-34	170	-7.12518
-33	170	-7.29404
-32	170	-7.49588
-31	170	-7.72436
-30	170	-7.93735
-29	170	-8.10032
-28	170	-8.22387
-27	170	-8.34306
-26	170	-8.46745
-25	170	-8.62172
-24	170	-8.78377
-23	170	-8.94725
-22	170	-9.10179
-21	170	-9.25007
-20	170	-9.39085
-19	170	-9.53256
-18	170	-9.66551
-17	170	-9.7816
-16	170	-9.89078
-15	170	-9.98518
-14	170	-10.0774
-13	170	-10.1716
-12	170	-10.2487
-11	170	-10.3193
-10	170	-10.3827
-9	170	-10.4364
-8	170	-10.4783
-7	170	-10.5141
-6	170	-10.5389
-5	170	-10.5567
-4	170	-10.5728
-3	170	-10.5769
-2	170	-10.5614
-1	170	-10.5404
0	170	-10.5015
1	170	-10.4619
2	170	-10.4082
3	170	-10.3458
4	170	-10.2594
5	170	-10.1665
6	170	-10.079
7	170	-9.97507
8	170	-9.8713
9	170	-9.74917
10	170	-9.62259
11	170	-9.48583
12	170	-9.34276
13	170	-9.19178
14	170	-9.05685
15	170	-8.87945
16	170	-8.71891
17	170	-8.5515
18	170	-8.38203
19	170	-8.20933
20	170	-8.05376
21	170	-7.87701
22	170	-7.69982
23	170	-7.52008
24	170	-7.34337
25	170	-7.16778
26	170	-6.99347
27	170	-6.81932
28	170	-6.64962
29	170	-6.48197
30	170	-6.3196
31	170	-6.16247
32	170	-6.01032
33	170	-5.86383
34	170	-5.723
35	170	-5.58628
36	170	-5.45736
37	170	-5.33481
38	170	-5.21913
39	170	-5.11096
40	170	-5.01108
41	170	-4.92065
42	170	-4.84104
43	170	-4.78082

44	170	-4.38927
45	170	-4.63426
46	170	-4.58417
47	170	-4.55386
48	170	-4.52828
49	170	-4.51308
50	170	-4.50898
51	170	-4.51624
52	170	-4.53525
53	170	-4.56699
54	170	-4.6145
55	170	-4.67325
56	170	-4.74628
57	170	-4.83386
58	170	-4.93674
59	170	-5.0561
60	170	-5.19199
61	170	-5.34558
62	170	-5.51811
63	170	-5.71015
64	170	-5.92317
65	170	-6.15886
66	170	-6.41824
67	170	-6.70323
68	170	-7.01624
69	170	-7.35879
70	170	-7.73308
71	170	-8.14296
72	170	-8.59225
73	170	-9.08491
74	170	-9.62511
75	170	-10.2202
76	170	-10.8771
77	170	-11.6057
78	170	-12.4179
79	170	-13.3308
80	170	-14.3642
81	170	-15.5455
82	170	-16.9163
83	170	-18.5261
84	170	-24.7751
85	170	-27.0998
86	170	-27.1286
87	170	-24.8256
88	170	-22.215
89	170	-19.9862
90	170	-18.1367
91	170	-16.5922
92	170	-15.2755
93	170	-14.1445
94	170	-13.1473
95	170	-12.2704
96	170	-11.4908
97	170	-10.7931
98	170	-10.1627
99	170	-9.59001
100	170	-9.07318
101	170	-8.60226
102	170	-8.1729
103	170	-7.78038
104	170	-7.42326
105	170	-7.09788
106	170	-6.79959
107	170	-6.52959
108	170	-6.28482
109	170	-6.06204
110	170	-5.86189
111	170	-5.68351
112	170	-5.52336
113	170	-5.38175
114	170	-5.25933
115	170	-5.15063
116	170	-5.05829
117	170	-4.98248
118	170	-4.92134
119	170	-4.87316
120	170	-4.83875
121	170	-4.81427
122	170	-4.80461
123	170	-4.80972
124	170	-4.82186
125	170	-4.84585
126	170	-4.87274
127	170	-4.91855
128	170	-4.97083
129	170	-5.03572
130	170	-5.10552
131	170	-5.19018
132	170	-5.27698
133	170	-5.3773
134	170	-5.47876
135	170	-5.59608
136	170	-5.70787
137	170	-5.8435
138	170	-5.96047
139	170	-6.11921
140	170	-6.22967

141	170	-6.32733
142	170	-6.49601
143	170	-6.63434
144	170	-6.76685
145	170	-6.93406
146	170	-7.07374
147	170	-7.22858
148	170	-7.38791
149	170	-7.53581
150	170	-7.69848
151	170	-7.85361
152	170	-7.99025
153	170	-8.15661
154	170	-8.36176
155	170	-8.58219
156	170	-8.74424
157	170	-8.57895
158	170	-8.668
159	170	-8.7813
160	170	-8.91314
161	170	-9.13636
162	170	-9.26018
163	170	-9.36788
164	170	-9.47268
165	170	-9.56204
166	170	-9.64847
167	170	-9.7332
168	170	-9.80896
169	170	-9.87708
170	170	-9.93526
171	170	-9.98066
172	170	-10.0166
173	170	-10.0496
174	170	-10.0767
175	170	-10.0847
176	170	-10.0854
177	170	-10.0854
178	170	-10.0605
179	170	-10.0353
180	170	-9.99262
-180	171	-7.48228
-179	171	-7.46498
-178	171	-7.42216
-177	171	-7.39248
-176	171	-7.33608
-175	171	-7.2984
-174	171	-7.24112
-173	171	-7.17181
-172	171	-7.12567
-171	171	-6.98337
-170	171	-7.05443
-169	171	-6.77569
-168	171	-6.82638
-167	171	-6.73577
-166	171	-6.61779
-165	171	-6.50675
-164	171	-6.42046
-163	171	-6.30341
-162	171	-6.14104
-161	171	-6.03207
-160	171	-5.96594
-159	171	-5.90216
-158	171	-5.82306
-157	171	-5.71785
-156	171	-5.81366
-155	171	-5.72198
-154	171	-5.62462
-153	171	-5.48715
-152	171	-5.39444
-151	171	-5.27296
-150	171	-5.17233
-149	171	-5.09063
-148	171	-5.0047
-147	171	-4.9106
-146	171	-4.82995
-145	171	-4.75864
-144	171	-4.67562
-143	171	-4.61693
-142	171	-4.5474
-141	171	-4.49429
-140	171	-4.43972
-139	171	-4.39876
-138	171	-4.35782
-137	171	-4.33107
-136	171	-4.30594
-135	171	-4.29111
-134	171	-4.28848
-133	171	-4.28634
-132	171	-4.3005
-131	171	-4.3241
-130	171	-4.35424
-129	171	-4.39617
-128	171	-4.45089
-127	171	-4.51943
-126	171	-4.59637
-125	171	-4.68717
-124	171	-4.79639

-123	171	-4.91427
-122	171	-5.04832
-121	171	-5.19644
-120	171	-5.36375
-119	171	-5.54631
-118	171	-5.74685
-117	171	-5.96985
-116	171	-6.21298
-115	171	-6.47494
-114	171	-6.75837
-113	171	-7.07684
-112	171	-7.42182
-111	171	-7.7918
-110	171	-8.19426
-109	171	-8.64235
-108	171	-9.11937
-107	171	-9.64009
-106	171	-10.2185
-105	171	-10.8543
-104	171	-11.5447
-103	171	-12.3054
-102	171	-13.1692
-101	171	-14.1639
-100	171	-15.2975
-99	171	-16.598
-98	171	-18.1441
-97	171	-20.0464
-96	171	-22.4999
-95	171	-25.9488
-94	171	-31.6109
-93	171	-42.5581
-92	171	-31.9527
-91	171	-26.1456
-90	171	-22.6603
-89	171	-20.116
-88	171	-18.35
-87	171	-16.8068
-86	171	-15.5214
-85	171	-14.4201
-84	171	-13.4693
-83	171	-12.6322
-82	171	-11.8853
-81	171	-11.2229
-80	171	-10.6258
-79	171	-10.0835
-78	171	-9.09036
-77	171	-8.66164
-76	171	-8.26862
-75	171	-7.91451
-74	171	-7.58417
-73	171	-7.28198
-72	171	-7.00509
-71	171	-6.7502
-70	171	-6.51658
-69	171	-6.31161
-68	171	-6.11454
-67	171	-5.93475
-66	171	-5.77113
-65	171	-5.62413
-64	171	-5.48693
-63	171	-5.37023
-62	171	-5.26351
-61	171	-5.15945
-60	171	-5.07804
-59	171	-5.00733
-58	171	-4.9478
-57	171	-4.89857
-56	171	-4.85968
-55	171	-4.83013
-54	171	-4.81042
-53	171	-4.79899
-52	171	-4.7969
-51	171	-4.8028
-50	171	-4.81538
-49	171	-4.83793
-48	171	-4.86646
-47	171	-4.90132
-46	171	-4.94111
-45	171	-4.98858
-44	171	-5.04202
-43	171	-5.09919
-42	171	-5.16069
-41	171	-5.22747
-40	171	-5.29989
-39	171	-5.37666
-38	171	-5.45454
-37	171	-5.53488
-36	171	-5.62294
-35	171	-5.71576
-34	171	-5.80732
-33	171	-5.89785
-32	171	-5.99733
-31	171	-6.11713
-30	171	-6.25089
-29	171	-6.37524
-28	171	-6.47192
-27	171	-6.54235

-26	171	-6.60441
-25	171	-6.67259
-24	171	-6.74999
-23	171	-6.83421
-22	171	-6.9232
-21	171	-7.01127
-20	171	-7.09349
-19	171	-7.16946
-18	171	-7.24293
-17	171	-7.31605
-16	171	-7.37425
-15	171	-7.4275
-14	171	-7.48641
-13	171	-7.53869
-12	171	-7.58601
-11	171	-7.6257
-10	171	-7.6605
-9	171	-7.69562
-8	171	-7.72519
-7	171	-7.74641
-6	171	-7.76066
-5	171	-7.77257
-4	171	-7.77789
-3	171	-7.7745
-2	171	-7.76704
-1	171	-7.75563
0	171	-7.72398
1	171	-7.69534
2	171	-7.66369
3	171	-7.63028
4	171	-7.58585
5	171	-7.53451
6	171	-7.48116
7	171	-7.42086
8	171	-7.3543
9	171	-7.28505
10	171	-7.21087
11	171	-7.13302
12	171	-7.0547
13	171	-6.96888
14	171	-6.87935
15	171	-6.78381
16	171	-6.69406
17	171	-6.59074
18	171	-6.49299
19	171	-6.39296
20	171	-6.29173
21	171	-6.1896
22	171	-6.08675
23	171	-5.98299
24	171	-5.88085
25	171	-5.77955
26	171	-5.67973
27	171	-5.5818
28	171	-5.48616
29	171	-5.39229
30	171	-5.30232
31	171	-5.2169
32	171	-5.13474
33	171	-5.05703
34	171	-4.9844
35	171	-4.91598
36	171	-4.85284
37	171	-4.79507
38	171	-4.74223
39	171	-4.69459
40	171	-4.65366
41	171	-4.61994
42	171	-4.59305
43	171	-4.5747
44	171	-4.56677
45	171	-4.58524
46	171	-4.20854
47	171	-4.56003
48	171	-4.57975
49	171	-4.61137
50	171	-4.65197
51	171	-4.70203
52	171	-4.76194
53	171	-4.83256
54	171	-4.91481
55	171	-5.00928
56	171	-5.12456
57	171	-5.24594
58	171	-5.38223
59	171	-5.53356
60	171	-5.70043
61	171	-5.8843
62	171	-6.08526
63	171	-6.30458
64	171	-6.54387
65	171	-6.80369
66	171	-7.08646
67	171	-7.39872
68	171	-7.73165
69	171	-8.09346
70	171	-8.48559

71	171	-8.91702
72	171	-9.38166
73	171	-9.8874
74	171	-10.4401
75	171	-11.0466
76	171	-11.712
77	171	-12.4474
78	171	-13.2661
79	171	-14.1797
80	171	-15.2097
81	171	-16.3856
82	171	-17.7408
83	171	-23.3544
84	171	-25.7536
85	171	-27.4427
86	171	-26.8806
87	171	-24.6795
88	171	-22.3208
89	171	-20.2774
90	171	-18.5535
91	171	-17.09
92	171	-15.8424
93	171	-14.7386
94	171	-13.7729
95	171	-12.9181
96	171	-12.151
97	171	-11.4612
98	171	-10.8309
99	171	-10.259
100	171	-9.73764
101	171	-9.25935
102	171	-8.81986
103	171	-8.41667
104	171	-8.04496
105	171	-7.70748
106	171	-7.39273
107	171	-7.10207
108	171	-6.83507
109	171	-6.59108
110	171	-6.36587
111	171	-6.17005
112	171	-5.98216
113	171	-5.81049
114	171	-5.65662
115	171	-5.51685
116	171	-5.38847
117	171	-5.27437
118	171	-5.17581
119	171	-5.0897
120	171	-5.0139
121	171	-4.95096
122	171	-4.89704
123	171	-4.85568
124	171	-4.82221
125	171	-4.79934
126	171	-4.78422
127	171	-4.77901
128	171	-4.78086
129	171	-4.79295
130	171	-4.80706
131	171	-4.83595
132	171	-4.86503
133	171	-4.9068
134	171	-4.94816
135	171	-5.00124
136	171	-5.05607
137	171	-5.11808
138	171	-5.18476
139	171	-5.25314
140	171	-5.33317
141	171	-5.40642
142	171	-5.4889
143	171	-5.57839
144	171	-5.65874
145	171	-5.75138
146	171	-5.84567
147	171	-5.93098
148	171	-6.03592
149	171	-6.14141
150	171	-6.20104
151	171	-6.26645
152	171	-6.36321
153	171	-6.4983
154	171	-6.66998
155	171	-6.74022
156	171	-6.77372
157	171	-6.81836
158	171	-6.89113
159	171	-6.97407
160	171	-7.04913
161	171	-7.11541
162	171	-7.18217
163	171	-7.25103
164	171	-7.30821
165	171	-7.36294
166	171	-7.42329
167	171	-7.4726

168	171	-7.51242
169	171	-7.54467
170	171	-7.57617
171	171	-7.41282
172	171	-7.43597
173	171	-7.45216
174	171	-7.47041
175	171	-7.47638
176	171	-7.55022
177	171	-7.55067
178	171	-7.53051
179	171	-7.51996
180	171	-7.48228
-180	172	-5.96688
-179	172	-5.95423
-178	172	-5.92633
-177	172	-5.90352
-176	172	-5.88124
-175	172	-5.84368
-174	172	-5.84113
-173	172	-5.70087
-172	172	-5.84474
-171	172	-5.61122
-170	172	-5.63356
-169	172	-5.5959
-168	172	-5.54378
-167	172	-5.49618
-166	172	-5.44559
-165	172	-5.39038
-164	172	-5.34204
-163	172	-5.29043
-162	172	-5.23818
-161	172	-5.18106
-160	172	-5.11573
-159	172	-5.05967
-158	172	-5.00699
-157	172	-4.94915
-156	172	-4.8888
-155	172	-4.83197
-154	172	-4.77697
-153	172	-4.72275
-152	172	-4.67901
-151	172	-4.64032
-150	172	-4.5926
-149	172	-4.54413
-148	172	-4.50798
-147	172	-4.47805
-146	172	-4.44349
-145	172	-4.41237
-144	172	-4.39485
-143	172	-4.37311
-142	172	-4.3587
-141	172	-4.35315
-140	172	-4.34621
-139	172	-4.35317
-138	172	-4.35861
-137	172	-4.37714
-136	172	-4.39615
-135	172	-4.4271
-134	172	-4.46281
-133	172	-4.50567
-132	172	-4.56085
-131	172	-4.61773
-130	172	-4.6889
-129	172	-4.76895
-128	172	-4.85403
-127	172	-4.95346
-126	172	-5.06558
-125	172	-5.18641
-124	172	-5.31824
-123	172	-5.46493
-122	172	-5.62733
-121	172	-5.80257
-120	172	-5.99347
-119	172	-6.19864
-118	172	-6.42282
-117	172	-6.66397
-116	172	-6.92759
-115	172	-7.21
-114	172	-7.51492
-113	172	-7.84519
-112	172	-8.20188
-111	172	-8.58536
-110	172	-8.99314
-109	172	-9.43659
-108	172	-9.92058
-107	172	-10.4615
-106	172	-11.0358
-105	172	-11.6611
-104	172	-12.3531
-103	172	-13.1178
-102	172	-13.9689
-101	172	-14.922
-100	172	-16.0082
-99	172	-17.2742
-98	172	-18.7653
-97	172	-20.5654

-96	172	-22.8367
-95	172	-25.9467
-94	172	-30.9034
-93	172	-41.9853
-92	172	-35.1059
-91	172	-28.1586
-90	172	-24.3328
-89	172	-21.6954
-88	172	-19.6747
-87	172	-18.0394
-86	172	-16.6905
-85	172	-15.5386
-84	172	-14.5399
-83	172	-13.6598
-82	172	-12.8789
-81	172	-12.1788
-80	172	-11.5484
-79	172	-10.9785
-78	172	-10.4632
-77	172	-9.99459
-76	172	-9.11991
-75	172	-8.74223
-74	172	-8.39302
-73	172	-8.0694
-72	172	-7.76892
-71	172	-7.48995
-70	172	-7.23072
-69	172	-6.99023
-68	172	-6.76644
-67	172	-6.55979
-66	172	-6.36763
-65	172	-6.19011
-64	172	-6.02509
-63	172	-5.86808
-62	172	-5.73531
-61	172	-5.60693
-60	172	-5.49057
-59	172	-5.38516
-58	172	-5.28947
-57	172	-5.20388
-56	172	-5.12685
-55	172	-5.05938
-54	172	-5.00034
-53	172	-4.94912
-52	172	-4.90512
-51	172	-4.86972
-50	172	-4.84078
-49	172	-4.81692
-48	172	-4.80116
-47	172	-4.79036
-46	172	-4.78602
-45	172	-4.78773
-44	172	-4.7935
-43	172	-4.80393
-42	172	-4.81652
-41	172	-4.83455
-40	172	-4.85805
-39	172	-4.8839
-38	172	-4.9111
-37	172	-4.94089
-36	172	-4.97529
-35	172	-5.01464
-34	172	-5.05584
-33	172	-5.09604
-32	172	-5.13717
-31	172	-5.18707
-30	172	-5.25095
-29	172	-5.32396
-28	172	-5.39317
-27	172	-5.44569
-26	172	-5.48062
-25	172	-5.50504
-24	172	-5.52804
-23	172	-5.55554
-22	172	-5.58871
-21	172	-5.62925
-20	172	-5.66943
-19	172	-5.70877
-18	172	-5.74465
-17	172	-5.76899
-16	172	-5.80027
-15	172	-5.82523
-14	172	-5.85764
-13	172	-5.88418
-12	172	-5.90651
-11	172	-5.92717
-10	172	-5.94574
-9	172	-5.96212
-8	172	-5.97399
-7	172	-5.98553
-6	172	-5.99482
-5	172	-5.9977
-4	172	-5.99495
-3	172	-5.99125
-2	172	-5.98933
-1	172	-5.98375
0	172	-5.96605

1	172	-5.95424
2	172	-5.93805
3	172	-5.91767
4	172	-5.89342
5	172	-5.86709
6	172	-5.83915
7	172	-5.8074
8	172	-5.77249
9	172	-5.73626
10	172	-5.69749
11	172	-5.65724
12	172	-5.61558
13	172	-5.57689
14	172	-5.53089
15	172	-5.48099
16	172	-5.43899
17	172	-5.39157
18	172	-5.34281
19	172	-5.2938
20	172	-5.23861
21	172	-5.18879
22	172	-5.13894
23	172	-5.08854
24	172	-5.03964
25	172	-4.99145
26	172	-4.94437
27	172	-4.89849
28	172	-4.8542
29	172	-4.81115
30	172	-4.77195
31	172	-4.73609
32	172	-4.7032
33	172	-4.67404
34	172	-4.64869
35	172	-4.62711
36	172	-4.61125
37	172	-4.59967
38	172	-4.59291
39	172	-4.59125
40	172	-4.59546
41	172	-4.60628
42	172	-4.62331
43	172	-4.6464
44	172	-4.67578
45	172	-4.71298
46	172	-4.76374
47	172	-4.82888
48	172	-4.55132
49	172	-4.81973
50	172	-4.99271
51	172	-5.09173
52	172	-5.18796
53	172	-5.29325
54	172	-5.40964
55	172	-5.53558
56	172	-5.67263
57	172	-5.82282
58	172	-5.98671
59	172	-6.16362
60	172	-6.35512
61	172	-6.56321
62	172	-6.78758
63	172	-7.02959
64	172	-7.28991
65	172	-7.57061
66	172	-7.87219
67	172	-8.19764
68	172	-8.54655
69	172	-8.92289
70	172	-9.33033
71	172	-9.76921
72	172	-10.2453
73	172	-10.7716
74	172	-11.3328
75	172	-11.9452
76	172	-12.6145
77	172	-13.3522
78	172	-14.167
79	172	-15.0766
80	172	-16.0959
81	172	-20.5751
82	172	-22.4262
83	172	-24.5264
84	172	-26.6113
85	172	-27.6807
86	172	-26.7768
87	172	-24.7221
88	172	-22.6001
89	172	-20.7158
90	172	-19.0966
91	172	-17.7258
92	172	-16.5091
93	172	-15.4465
94	172	-14.5076
95	172	-13.6727
96	172	-12.9225
97	172	-12.234

98	172	-11.6115
99	172	-11.0397
100	172	-10.518
101	172	-10.0337
102	172	-9.58649
103	172	-9.17334
104	172	-8.78925
105	172	-8.43499
106	172	-8.10379
107	172	-7.7982
108	172	-7.51352
109	172	-7.24906
110	172	-7.0048
111	172	-6.7767
112	172	-6.56648
113	172	-6.37076
114	172	-6.19101
115	172	-6.02271
116	172	-5.86979
117	172	-5.72055
118	172	-5.59838
119	172	-5.47752
120	172	-5.3703
121	172	-5.27037
122	172	-5.18399
123	172	-5.10422
124	172	-5.03451
125	172	-4.97172
126	172	-4.92046
127	172	-4.87369
128	172	-4.83506
129	172	-4.8054
130	172	-4.78051
131	172	-4.762
132	172	-4.74846
133	172	-4.74414
134	172	-4.7432
135	172	-4.74696
136	172	-4.75641
137	172	-4.76725
138	172	-4.78455
139	172	-4.8063
140	172	-4.82986
141	172	-4.85971
142	172	-4.88917
143	172	-4.91869
144	172	-4.95711
145	172	-4.99953
146	172	-5.03973
147	172	-5.08006
148	172	-5.11803
149	172	-5.15696
150	172	-5.2142
151	172	-5.29709
152	172	-5.38624
153	172	-5.45153
154	172	-5.48648
155	172	-5.50483
156	172	-5.52564
157	172	-5.55784
158	172	-5.59889
159	172	-5.64616
160	172	-5.69154
161	172	-5.73645
162	172	-5.77966
163	172	-5.80952
164	172	-5.84148
165	172	-5.86468
166	172	-5.8958
167	172	-5.91993
168	172	-5.94007
169	172	-5.96357
170	172	-5.98346
171	172	-5.99785
172	172	-6.01579
173	172	-6.02555
174	172	-6.02926
175	172	-6.03468
176	172	-6.02665
177	172	-6.02509
178	172	-6.00755
179	172	-5.99912
180	172	-5.96688
-180	173	-4.9498
-179	173	-4.9466
-178	173	-4.94162
-177	173	-4.88745
-176	173	-4.8739
-175	173	-5.02287
-174	173	-4.77907
-173	173	-4.84552
-172	173	-4.82837
-171	173	-4.8046
-170	173	-4.78142
-169	173	-4.75935
-168	173	-4.73996
-167	173	-4.72168

-166	173	-4.69855
-165	173	-4.66912
-164	173	-4.65193
-163	173	-4.62674
-162	173	-4.60322
-161	173	-4.58006
-160	173	-4.55682
-159	173	-4.53463
-158	173	-4.51693
-157	173	-4.49709
-156	173	-4.48099
-155	173	-4.46553
-154	173	-4.4527
-153	173	-4.44002
-152	173	-4.42571
-151	173	-4.41459
-150	173	-4.41325
-149	173	-4.41557
-148	173	-4.41496
-147	173	-4.4158
-146	173	-4.42507
-145	173	-4.43955
-144	173	-4.45262
-143	173	-4.4709
-142	173	-4.49857
-141	173	-4.52471
-140	173	-4.55899
-139	173	-4.59948
-138	173	-4.64117
-137	173	-4.69572
-136	173	-4.7474
-135	173	-4.81419
-134	173	-4.87811
-133	173	-4.95917
-132	173	-5.0376
-131	173	-5.13228
-130	173	-5.22912
-129	173	-5.33718
-128	173	-5.45607
-127	173	-5.57868
-126	173	-5.72011
-125	173	-5.86655
-124	173	-6.02437
-123	173	-6.19767
-122	173	-6.38267
-121	173	-6.57754
-120	173	-6.78901
-119	173	-7.01808
-118	173	-7.26006
-117	173	-7.51781
-116	173	-7.79314
-115	173	-8.09065
-114	173	-8.40852
-113	173	-8.74953
-112	173	-9.11268
-111	173	-9.50407
-110	173	-9.92283
-109	173	-10.3741
-108	173	-10.8598
-107	173	-11.3896
-106	173	-11.9651
-105	173	-12.5904
-104	173	-13.2676
-103	173	-14.0106
-102	173	-14.8369
-101	173	-15.7693
-100	173	-16.8284
-99	173	-18.0408
-98	173	-19.4562
-97	173	-21.1577
-96	173	-23.2932
-95	173	-26.1434
-94	173	-30.4423
-93	173	-39.029
-92	173	-40.8274
-91	173	-31.1518
-90	173	-26.5626
-89	173	-23.5938
-88	173	-21.4079
-87	173	-19.6788
-86	173	-18.2572
-85	173	-17.0473
-84	173	-15.9897
-83	173	-15.0576
-82	173	-14.2212
-81	173	-13.464
-80	173	-12.7719
-79	173	-12.1402
-78	173	-11.5589
-77	173	-11.0241
-76	173	-10.5396
-75	173	-9.70293
-74	173	-9.33827
-73	173	-8.99882
-72	173	-8.68141
-71	173	-8.38445
-70	173	-8.10519

-69	173	-7.84404
-68	173	-7.59867
-67	173	-7.36938
-66	173	-7.15441
-65	173	-6.95368
-64	173	-6.76485
-63	173	-6.58886
-62	173	-6.42445
-61	173	-6.26293
-60	173	-6.1256
-59	173	-5.98994
-58	173	-5.8661
-57	173	-5.75016
-56	173	-5.64251
-55	173	-5.54283
-54	173	-5.45358
-53	173	-5.36963
-52	173	-5.29252
-51	173	-5.22251
-50	173	-5.15903
-49	173	-5.1007
-48	173	-5.0479
-47	173	-5.00202
-46	173	-4.96271
-45	173	-4.92733
-44	173	-4.89597
-43	173	-4.8672
-42	173	-4.84312
-41	173	-4.82389
-40	173	-4.80854
-39	173	-4.7953
-38	173	-4.78438
-37	173	-4.77639
-36	173	-4.77258
-35	173	-4.77341
-34	173	-4.77707
-33	173	-4.78165
-32	173	-4.78565
-31	173	-4.79195
-30	173	-4.80529
-29	173	-4.82852
-28	173	-4.85896
-27	173	-4.88833
-26	173	-4.91077
-25	173	-4.92126
-24	173	-4.92858
-23	173	-4.9263
-22	173	-4.92511
-21	173	-4.92656
-20	173	-4.92482
-19	173	-4.93319
-18	173	-4.94425
-17	173	-4.95669
-16	173	-4.96856
-15	173	-4.97422
-14	173	-4.98699
-13	173	-4.99679
-12	173	-5.00365
-11	173	-5.00842
-10	173	-5.01212
-9	173	-5.0182
-8	173	-5.02342
-7	173	-5.02854
-6	173	-5.03059
-5	173	-5.03114
-4	173	-5.03081
-3	173	-5.03023
-2	173	-5.02812
-1	173	-5.02394
0	173	-5.01313
1	173	-5.01051
2	173	-5.00394
3	173	-4.99468
4	173	-4.98375
5	173	-4.9722
6	173	-4.9601
7	173	-4.94627
8	173	-4.93131
9	173	-4.91643
10	173	-4.90043
11	173	-4.88435
12	173	-4.86827
13	173	-4.85236
14	173	-4.83503
15	173	-4.8152
16	173	-4.80901
17	173	-4.79311
18	173	-4.77724
19	173	-4.76135
20	173	-4.74629
21	173	-4.73202
22	173	-4.71983
23	173	-4.70294
24	173	-4.69149
25	173	-4.68135
26	173	-4.67276
27	173	-4.66561

28	173	-4.66047
29	173	-4.65677
30	173	-4.65645
31	173	-4.65896
32	173	-4.66434
33	173	-4.67307
34	173	-4.68553
35	173	-4.70129
36	173	-4.72115
37	173	-4.74589
38	173	-4.77515
39	173	-4.80838
40	173	-4.84759
41	173	-4.89266
42	173	-4.94233
43	173	-4.99962
44	173	-5.06228
45	173	-5.13073
46	173	-5.20747
47	173	-5.29328
48	173	-5.37943
49	173	-5.47097
50	173	-5.59834
51	173	-5.32527
52	173	-5.61417
53	173	-5.94319
54	173	-6.09193
55	173	-6.24867
56	173	-6.41535
57	173	-6.59066
58	173	-6.78043
59	173	-6.97961
60	173	-7.19358
61	173	-7.42321
62	173	-7.6663
63	173	-7.92728
64	173	-8.20581
65	173	-8.50148
66	173	-8.82005
67	173	-9.15941
68	173	-9.52438
69	173	-9.91444
70	173	-10.3343
71	173	-10.784
72	173	-11.2701
73	173	-11.7931
74	173	-12.3622
75	173	-12.9781
76	173	-13.6524
77	173	-14.3896
78	173	-15.2053
79	173	-16.1089
80	173	-20.4901
81	173	-22.0952
82	173	-23.9258
83	173	-25.8859
84	173	-27.5192
85	173	-27.8718
86	173	-26.6599
87	173	-24.7396
88	173	-22.8228
89	173	-21.145
90	173	-19.6286
91	173	-18.3277
92	173	-17.1945
93	173	-16.1849
94	173	-15.2932
95	173	-14.4821
96	173	-13.7459
97	173	-13.0749
98	173	-12.4644
99	173	-11.8999
100	173	-11.378
101	173	-10.8937
102	173	-10.4455
103	173	-10.0261
104	173	-9.63723
105	173	-9.27295
106	173	-8.93325
107	173	-8.61359
108	173	-8.31615
109	173	-8.03595
110	173	-7.7754
111	173	-7.52956
112	173	-7.3009
113	173	-7.08427
114	173	-6.88345
115	173	-6.69397
116	173	-6.51807
117	173	-6.35287
118	173	-6.19927
119	173	-6.04714
120	173	-5.91833
121	173	-5.79218
122	173	-5.67526
123	173	-5.56884
124	173	-5.46886

125	173	-5.37633
126	173	-5.29456
127	173	-5.21513
128	173	-5.14456
129	173	-5.07944
130	173	-5.02118
131	173	-4.97017
132	173	-4.92169
133	173	-4.8807
134	173	-4.84601
135	173	-4.81262
136	173	-4.78616
137	173	-4.7631
138	173	-4.74146
139	173	-4.72475
140	173	-4.71182
141	173	-4.70016
142	173	-4.69478
143	173	-4.69513
144	173	-4.69332
145	173	-4.68721
146	173	-4.68254
147	173	-4.68625
148	173	-4.70223
149	173	-4.73271
150	173	-4.77208
151	173	-4.80653
152	173	-4.82371
153	173	-4.82213
154	173	-4.81437
155	173	-4.81
156	173	-4.82068
157	173	-4.83555
158	173	-4.85477
159	173	-4.87253
160	173	-4.87941
161	173	-4.89191
162	173	-4.90774
163	173	-4.92424
164	173	-4.93522
165	173	-4.94162
166	173	-4.95622
167	173	-4.96276
168	173	-4.97063
169	173	-4.97722
170	173	-4.97844
171	173	-4.98735
172	173	-4.98601
173	173	-4.99144
174	173	-4.98826
175	173	-4.98819
176	173	-4.98225
177	173	-4.98075
178	173	-4.96986
179	173	-4.96937
180	173	-4.9498
-180	174	-4.644
-179	174	-4.69614
-178	174	-4.47778
-177	174	-4.5462
-176	174	-4.52928
-175	174	-4.53742
-174	174	-4.53199
-173	174	-4.52397
-172	174	-4.51729
-171	174	-4.5128
-170	174	-4.51083
-169	174	-4.50734
-168	174	-4.50255
-167	174	-4.4973
-166	174	-4.49237
-165	174	-4.48699
-164	174	-4.48971
-163	174	-4.49138
-162	174	-4.49401
-161	174	-4.50405
-160	174	-4.508
-159	174	-4.51211
-158	174	-4.51833
-157	174	-4.5264
-156	174	-4.53697
-155	174	-4.54882
-154	174	-4.56492
-153	174	-4.58225
-152	174	-4.60452
-151	174	-4.62694
-150	174	-4.64961
-149	174	-4.67411
-148	174	-4.70429
-147	174	-4.74007
-146	174	-4.77819
-145	174	-4.81622
-144	174	-4.85842
-143	174	-4.90868
-142	174	-4.96187
-141	174	-5.01588
-140	174	-5.07915

-139	174	-5.14672
-138	174	-5.21568
-137	174	-5.2961
-136	174	-5.37705
-135	174	-5.46655
-134	174	-5.56448
-133	174	-5.66289
-132	174	-5.77708
-131	174	-5.88939
-130	174	-6.01743
-129	174	-6.14685
-128	174	-6.29036
-127	174	-6.43728
-126	174	-6.60063
-125	174	-6.76694
-124	174	-6.94758
-123	174	-7.13883
-122	174	-7.33802
-121	174	-7.5554
-120	174	-7.77942
-119	174	-8.01905
-118	174	-8.27649
-117	174	-8.54619
-116	174	-8.83201
-115	174	-9.13928
-114	174	-9.46559
-113	174	-9.80707
-112	174	-10.1766
-111	174	-10.5705
-110	174	-10.9889
-109	174	-11.4362
-108	174	-11.9206
-107	174	-12.4433
-106	174	-13.0053
-105	174	-13.6143
-104	174	-14.2762
-103	174	-15.0055
-102	174	-15.8117
-101	174	-16.7083
-100	174	-17.7134
-99	174	-18.8568
-98	174	-20.1888
-97	174	-21.7769
-96	174	-23.7165
-95	174	-26.2168
-94	174	-29.6848
-93	174	-35.6778
-92	174	-58.3675
-91	174	-35.9407
-90	174	-29.8977
-89	174	-26.369
-88	174	-23.8972
-87	174	-21.9804
-86	174	-20.4293
-85	174	-19.136
-84	174	-18.0304
-83	174	-17.0624
-82	174	-16.2068
-81	174	-15.4453
-80	174	-14.7629
-79	174	-14.1467
-78	174	-13.5824
-77	174	-13.0681
-76	174	-12.5919
-75	174	-12.1468
-74	174	-11.7259
-73	174	-11.3206
-72	174	-9.77537
-71	174	-9.46703
-70	174	-9.17295
-69	174	-8.89566
-68	174	-8.63418
-67	174	-8.38743
-66	174	-8.15413
-65	174	-7.93413
-64	174	-7.72646
-63	174	-7.53034
-62	174	-7.34432
-61	174	-7.17011
-60	174	-7.00361
-59	174	-6.84705
-58	174	-6.69571
-57	174	-6.56045
-56	174	-6.42688
-55	174	-6.3031
-54	174	-6.18552
-53	174	-6.07529
-52	174	-5.97138
-51	174	-5.87321
-50	174	-5.78114
-49	174	-5.69506
-48	174	-5.61582
-47	174	-5.54087
-46	174	-5.46961
-45	174	-5.40348
-44	174	-5.34306
-43	174	-5.28565

-42	174	-5.23273
-41	174	-5.18423
-40	174	-5.13865
-39	174	-5.09585
-38	174	-5.05663
-37	174	-5.02081
-36	174	-4.9885
-35	174	-4.96031
-34	174	-4.93554
-33	174	-4.91302
-32	174	-4.89089
-31	174	-4.86954
-30	174	-4.85363
-29	174	-4.84208
-28	174	-4.8464
-27	174	-4.8485
-26	174	-4.8522
-25	174	-4.85312
-24	174	-4.84808
-23	174	-4.83092
-22	174	-4.81521
-21	174	-4.79713
-20	174	-4.77909
-19	174	-4.76346
-18	174	-4.75058
-17	174	-4.74076
-16	174	-4.73375
-15	174	-4.72377
-14	174	-4.72264
-13	174	-4.72172
-12	174	-4.72003
-11	174	-4.71801
-10	174	-4.71535
-9	174	-4.71369
-8	174	-4.71118
-7	174	-4.71001
-6	174	-4.70947
-5	174	-4.70903
-4	174	-4.70883
-3	174	-4.70651
-2	174	-4.70538
-1	174	-4.70404
0	174	-4.69847
1	174	-4.70079
2	174	-4.70037
3	174	-4.69894
4	174	-4.69728
5	174	-4.69597
6	174	-4.69536
7	174	-4.69432
8	174	-4.69344
9	174	-4.6938
10	174	-4.69405
11	174	-4.6952
12	174	-4.69684
13	174	-4.69964
14	174	-4.70228
15	174	-4.70429
16	174	-4.71379
17	174	-4.72039
18	174	-4.72789
19	174	-4.74328
20	174	-4.75307
21	174	-4.76447
22	174	-4.77744
23	174	-4.79112
24	174	-4.80706
25	174	-4.82481
26	174	-4.84688
27	174	-4.86709
28	174	-4.89128
29	174	-4.91706
30	174	-4.94658
31	174	-4.97855
32	174	-5.01324
33	174	-5.05119
34	174	-5.09293
35	174	-5.1374
36	174	-5.18537
37	174	-5.23858
38	174	-5.29592
39	174	-5.35705
40	174	-5.42404
41	174	-5.49556
42	174	-5.57217
43	174	-5.65505
44	174	-5.74333
45	174	-5.83824
46	174	-5.93979
47	174	-6.04867
48	174	-6.16335
49	174	-6.28735
50	174	-6.41821
51	174	-6.55299
52	174	-6.70839
53	174	-6.83803
54	174	-7.01958

55	174	-6.77873
56	174	-6.97779
57	174	-7.55329
58	174	-7.77314
59	174	-8.00845
60	174	-8.24168
61	174	-8.48917
62	174	-8.75139
63	174	-9.02811
64	174	-9.3217
65	174	-9.63364
66	174	-9.96485
67	174	-10.3176
68	174	-10.6923
69	174	-11.0923
70	174	-11.5199
71	174	-11.9767
72	174	-12.4718
73	174	-12.9988
74	174	-13.5713
75	174	-14.1875
76	174	-14.8607
77	174	-15.5949
78	174	-19.5869
79	174	-20.8376
80	174	-22.2428
81	174	-23.8311
82	174	-25.5462
83	174	-27.1828
84	174	-28.1466
85	174	-27.8253
86	174	-26.5481
87	174	-24.7658
88	174	-23.0753
89	174	-21.5389
90	174	-20.1927
91	174	-19.0086
92	174	-17.9594
93	174	-17.0142
94	174	-16.1535
95	174	-15.3808
96	174	-14.6743
97	174	-14.0261
98	174	-13.4277
99	174	-12.8734
100	174	-12.3628
101	174	-11.8841
102	174	-11.4376
103	174	-11.0183
104	174	-10.6267
105	174	-10.2591
106	174	-9.91215
107	174	-9.58749
108	174	-9.28056
109	174	-8.99609
110	174	-8.72212
111	174	-8.46381
112	174	-8.2209
113	174	-7.98917
114	174	-7.77251
115	174	-7.56623
116	174	-7.37158
117	174	-7.18903
118	174	-7.01345
119	174	-6.85111
120	174	-6.6956
121	174	-6.54773
122	174	-6.40756
123	174	-6.28121
124	174	-6.15609
125	174	-6.04187
126	174	-5.93163
127	174	-5.82891
128	174	-5.73352
129	174	-5.6416
130	174	-5.55626
131	174	-5.47814
132	174	-5.40477
133	174	-5.33512
134	174	-5.27017
135	174	-5.20835
136	174	-5.15076
137	174	-5.09806
138	174	-5.05117
139	174	-5.00835
140	174	-4.96857
141	174	-4.93064
142	174	-4.89187
143	174	-4.8516
144	174	-4.81539
145	174	-4.79098
146	174	-4.78047
147	174	-4.77961
148	174	-4.7807
149	174	-4.7782
150	174	-4.77073
151	174	-4.75092

152	174	-4.73006
153	174	-4.70007
154	174	-4.67805
155	174	-4.66621
156	174	-4.65826
157	174	-4.64872
158	174	-4.64749
159	174	-4.64136
160	174	-4.63451
161	174	-4.63189
162	174	-4.62566
163	174	-4.62383
164	174	-4.62188
165	174	-4.61203
166	174	-4.61388
167	174	-4.60896
168	174	-4.60913
169	174	-4.60329
170	174	-4.60328
171	174	-4.59843
172	174	-4.5987
173	174	-4.59253
174	174	-4.59335
175	174	-4.58648
176	174	-4.58632
177	174	-4.57917
178	174	-4.57696
179	174	-4.48314
180	174	-4.644
-180	175	-4.75557
-179	175	-4.75322
-178	175	-4.76031
-177	175	-4.75882
-176	175	-4.75963
-175	175	-4.76102
-174	175	-4.768
-173	175	-4.77366
-172	175	-4.77828
-171	175	-4.7828
-170	175	-4.78888
-169	175	-4.79881
-168	175	-4.81007
-167	175	-4.82328
-166	175	-4.83517
-165	175	-4.84732
-164	175	-4.86639
-163	175	-4.88338
-162	175	-4.90237
-161	175	-4.92297
-160	175	-4.94521
-159	175	-4.96887
-158	175	-4.99477
-157	175	-5.03072
-156	175	-5.06129
-155	175	-5.09493
-154	175	-5.12993
-153	175	-5.16615
-152	175	-5.20458
-151	175	-5.2457
-150	175	-5.29208
-149	175	-5.3425
-148	175	-5.39929
-147	175	-5.45659
-146	175	-5.51466
-145	175	-5.57542
-144	175	-5.64239
-143	175	-5.71511
-142	175	-5.78991
-141	175	-5.86711
-140	175	-5.95196
-139	175	-6.04274
-138	175	-6.1346
-137	175	-6.23373
-136	175	-6.34091
-135	175	-6.44876
-134	175	-6.56647
-133	175	-6.69163
-132	175	-6.81728
-131	175	-6.95706
-130	175	-7.09972
-129	175	-7.24915
-128	175	-7.41013
-127	175	-7.57398
-126	175	-7.75155
-125	175	-7.93198
-124	175	-8.13023
-123	175	-8.32972
-122	175	-8.54816
-121	175	-8.7708
-120	175	-9.01099
-119	175	-9.25756
-118	175	-9.52479
-117	175	-9.80008
-116	175	-10.0939
-115	175	-10.4062
-114	175	-10.7289
-113	175	-11.0802

-112	175	-11.4451
-111	175	-11.8342
-110	175	-12.2543
-109	175	-12.6928
-108	175	-13.1679
-107	175	-13.6782
-106	175	-14.2194
-105	175	-14.8093
-104	175	-15.4535
-103	175	-16.1439
-102	175	-16.9067
-101	175	-17.753
-100	175	-18.6834
-99	175	-19.7433
-98	175	-20.943
-97	175	-22.3649
-96	175	-24.0812
-95	175	-26.1481
-94	175	-28.9327
-93	175	-32.9064
-92	175	-39.4063
-91	175	-41.0174
-90	175	-33.9252
-89	175	-29.6197
-88	175	-26.7197
-87	175	-24.568
-86	175	-22.8405
-85	175	-21.4048
-84	175	-20.1782
-83	175	-19.1137
-82	175	-18.1791
-81	175	-17.3452
-80	175	-16.5891
-79	175	-15.9052
-78	175	-15.2793
-77	175	-14.7064
-76	175	-14.1788
-75	175	-13.6871
-74	175	-13.2289
-73	175	-12.8014
-72	175	-12.4012
-71	175	-12.0269
-70	175	-11.6751
-69	175	-10.1869
-68	175	-9.91329
-67	175	-9.65303
-66	175	-9.40593
-65	175	-9.17122
-64	175	-8.94915
-63	175	-8.7362
-62	175	-8.5349
-61	175	-8.3424
-60	175	-8.16005
-59	175	-7.98536
-58	175	-7.82162
-57	175	-7.66226
-56	175	-7.51453
-55	175	-7.36401
-54	175	-7.23028
-53	175	-7.10407
-52	175	-6.979
-51	175	-6.86323
-50	175	-6.75044
-49	175	-6.64367
-48	175	-6.54143
-47	175	-6.44437
-46	175	-6.35167
-45	175	-6.26347
-44	175	-6.18043
-43	175	-6.10069
-42	175	-6.02579
-41	175	-5.95557
-40	175	-5.88977
-39	175	-5.82564
-38	175	-5.76463
-37	175	-5.71105
-36	175	-5.65747
-35	175	-5.60823
-34	175	-5.57322
-33	175	-5.53081
-32	175	-5.4898
-31	175	-5.44995
-30	175	-5.41208
-29	175	-5.37793
-28	175	-5.34936
-27	175	-5.32143
-26	175	-5.30243
-25	175	-5.2862
-24	175	-5.27006
-23	175	-5.25234
-22	175	-5.23267
-21	175	-5.21077
-20	175	-5.18752
-19	175	-5.16412
-18	175	-5.14108
-17	175	-5.119
-16	175	-5.09763

-15	175	-5.07209
-14	175	-5.05425
-13	175	-5.03817
-12	175	-5.02383
-11	175	-5.01263
-10	175	-5.00461
-9	175	-5.00021
-8	175	-4.99598
-7	175	-4.99248
-6	175	-4.98833
-5	175	-4.98425
-4	175	-4.98056
-3	175	-4.97802
-2	175	-4.9779
-1	175	-4.97863
0	175	-4.97612
1	175	-4.98146
2	175	-4.98539
3	175	-4.98936
4	175	-4.99403
5	175	-4.99997
6	175	-5.00762
7	175	-5.01592
8	175	-5.02564
9	175	-5.03637
10	175	-5.04828
11	175	-5.06204
12	175	-5.07698
13	175	-5.09353
14	175	-5.11017
15	175	-5.12751
16	175	-5.15273
17	175	-5.17519
18	175	-5.19934
19	175	-5.22505
20	175	-5.25238
21	175	-5.28195
22	175	-5.31362
23	175	-5.35556
24	175	-5.39077
25	175	-5.42898
26	175	-5.46943
27	175	-5.51246
28	175	-5.55832
29	175	-5.6057
30	175	-5.65683
31	175	-5.711
32	175	-5.77242
33	175	-5.83412
34	175	-5.89866
35	175	-5.96611
36	175	-6.0377
37	175	-6.11409
38	175	-6.19423
39	175	-6.27868
40	175	-6.36785
41	175	-6.46188
42	175	-6.56074
43	175	-6.66455
44	175	-6.775
45	175	-6.89028
46	175	-7.01248
47	175	-7.14044
48	175	-7.27624
49	175	-7.41821
50	175	-7.5676
51	175	-7.72612
52	175	-7.8899
53	175	-8.06539
54	175	-8.24449
55	175	-8.44094
56	175	-8.6343
57	175	-8.85456
58	175	-9.05887
59	175	-9.2968
60	175	-9.47293
61	175	-9.23178
62	175	-9.42376
63	175	-10.1943
64	175	-10.6899
65	175	-10.999
66	175	-11.3563
67	175	-11.7217
68	175	-12.1023
69	175	-12.5134
70	175	-12.9475
71	175	-13.4062
72	175	-13.9058
73	175	-14.4299
74	175	-17.7717
75	175	-18.6058
76	175	-19.5181
77	175	-20.5407
78	175	-21.6742
79	175	-22.9156
80	175	-24.3042
81	175	-25.7796

82	175	-27.2104
83	175	-28.3263
84	175	-28.4009
85	175	-27.632
86	175	-26.2724
87	175	-24.7946
88	175	-23.371
89	175	-22.0724
90	175	-20.8747
91	175	-19.8006
92	175	-18.8323
93	175	-17.9571
94	175	-17.1618
95	175	-16.4334
96	175	-15.7584
97	175	-15.1379
98	175	-14.5603
99	175	-14.0247
100	175	-13.5262
101	175	-13.0579
102	175	-12.6183
103	175	-12.2062
104	175	-11.8155
105	175	-11.4485
106	175	-11.1021
107	175	-10.7724
108	175	-10.4616
109	175	-10.1658
110	175	-9.88424
111	175	-9.61849
112	175	-9.36628
113	175	-9.12501
114	175	-8.89725
115	175	-8.67902
116	175	-8.47128
117	175	-8.27498
118	175	-8.08923
119	175	-7.90962
120	175	-7.73968
121	175	-7.57581
122	175	-7.42069
123	175	-7.27216
124	175	-7.13651
125	175	-6.99525
126	175	-6.87072
127	175	-6.75388
128	175	-6.63781
129	175	-6.52875
130	175	-6.42131
131	175	-6.31982
132	175	-6.22331
133	175	-6.13399
134	175	-6.05075
135	175	-5.97127
136	175	-5.89451
137	175	-5.81892
138	175	-5.74506
139	175	-5.67272
140	175	-5.6054
141	175	-5.5436
142	175	-5.48868
143	175	-5.44734
144	175	-5.41327
145	175	-5.38384
146	175	-5.36205
147	175	-5.33015
148	175	-5.29307
149	175	-5.24845
150	175	-5.20459
151	175	-5.16017
152	175	-5.11776
153	175	-5.08158
154	175	-5.05179
155	175	-5.02773
156	175	-5.00761
157	175	-4.9865
158	175	-4.96836
159	175	-4.94676
160	175	-4.93095
161	175	-4.90989
162	175	-4.89623
163	175	-4.87977
164	175	-4.86617
165	175	-4.8478
166	175	-4.8385
167	175	-4.8256
168	175	-4.82075
169	175	-4.80597
170	175	-4.79924
171	175	-4.79466
172	175	-4.72386
173	175	-4.72814
174	175	-4.95992
175	175	-4.95253
176	175	-4.72114
177	175	-4.73266
178	175	-4.76097

179	175	-4.75473
180	175	-4.75557
-180	176	-5.56202
-179	176	-5.56775
-178	176	-5.57445
-177	176	-5.5802
-176	176	-5.58568
-175	176	-5.59264
-174	176	-5.60429
-173	176	-5.61709
-172	176	-5.63152
-171	176	-5.6465
-170	176	-5.66119
-169	176	-5.67907
-168	176	-5.69794
-167	176	-5.7197
-166	176	-5.742
-165	176	-5.76578
-164	176	-5.79792
-163	176	-5.82735
-162	176	-5.85932
-161	176	-5.89302
-160	176	-5.92858
-159	176	-5.96628
-158	176	-6.00606
-157	176	-6.04805
-156	176	-6.09199
-155	176	-6.13961
-154	176	-6.19058
-153	176	-6.24445
-152	176	-6.30154
-151	176	-6.3608
-150	176	-6.43284
-149	176	-6.49952
-148	176	-6.56861
-147	176	-6.64042
-146	176	-6.71498
-145	176	-6.79367
-144	176	-6.87825
-143	176	-6.96767
-142	176	-7.0591
-141	176	-7.15231
-140	176	-7.25144
-139	176	-7.35797
-138	176	-7.46823
-137	176	-7.58573
-136	176	-7.71009
-135	176	-7.83718
-134	176	-7.96807
-133	176	-8.10279
-132	176	-8.24798
-131	176	-8.39757
-130	176	-8.54992
-129	176	-8.71542
-128	176	-8.8867
-127	176	-9.06001
-126	176	-9.24846
-125	176	-9.4424
-124	176	-9.64368
-123	176	-9.85818
-122	176	-10.0763
-121	176	-10.3125
-120	176	-10.5536
-119	176	-10.8065
-118	176	-11.0759
-117	176	-11.3533
-116	176	-11.6499
-115	176	-11.9548
-114	176	-12.2863
-113	176	-12.6243
-112	176	-12.9912
-111	176	-13.3706
-110	176	-13.7811
-109	176	-14.2067
-108	176	-14.6702
-107	176	-15.1524
-106	176	-15.683
-105	176	-16.2399
-104	176	-16.8424
-103	176	-17.4959
-102	176	-18.2208
-101	176	-19.0105
-100	176	-19.8674
-99	176	-20.8467
-98	176	-21.9155
-97	176	-23.1566
-96	176	-24.6107
-95	176	-26.3225
-94	176	-28.484
-93	176	-31.2176
-92	176	-34.8026
-91	176	-38.5487
-90	176	-37.2912
-89	176	-33.2762
-88	176	-30.0798
-87	176	-27.6296
-86	176	-25.6835

-85	176	-24.1092
-84	176	-22.7644
-83	176	-21.599
-82	176	-20.5883
-81	176	-19.68
-80	176	-18.8617
-79	176	-18.1288
-78	176	-17.4552
-77	176	-16.8348
-76	176	-16.2672
-75	176	-15.7375
-74	176	-15.2437
-73	176	-14.7862
-72	176	-14.3543
-71	176	-13.9494
-70	176	-13.5702
-69	176	-13.2108
-68	176	-12.8726
-67	176	-12.5558
-66	176	-12.2538
-65	176	-10.797
-64	176	-10.5631
-63	176	-10.3372
-62	176	-10.1206
-61	176	-9.91617
-60	176	-9.71874
-59	176	-9.53047
-58	176	-9.35065
-57	176	-9.17702
-56	176	-9.013
-55	176	-8.85533
-54	176	-8.7039
-53	176	-8.55951
-52	176	-8.41912
-51	176	-8.28713
-50	176	-8.15763
-49	176	-8.02945
-48	176	-7.91442
-47	176	-7.81147
-46	176	-7.7027
-45	176	-7.61269
-44	176	-7.51553
-43	176	-7.42046
-42	176	-7.33081
-41	176	-7.24473
-40	176	-7.16192
-39	176	-7.08152
-38	176	-7.00481
-37	176	-6.93202
-36	176	-6.86327
-35	176	-6.80037
-34	176	-6.7359
-33	176	-6.67659
-32	176	-6.61918
-31	176	-6.5644
-30	176	-6.51174
-29	176	-6.46231
-28	176	-6.41668
-27	176	-6.37519
-26	176	-6.33831
-25	176	-6.30644
-24	176	-6.27727
-23	176	-6.25037
-22	176	-6.22432
-21	176	-6.19845
-20	176	-6.17158
-19	176	-6.14481
-18	176	-6.11811
-17	176	-6.0924
-16	176	-6.06812
-15	176	-6.03965
-14	176	-6.01846
-13	176	-5.99908
-12	176	-5.97922
-11	176	-5.96037
-10	176	-5.94216
-9	176	-5.92671
-8	176	-5.91189
-7	176	-5.89994
-6	176	-5.89057
-5	176	-5.88463
-4	176	-5.88172
-3	176	-5.8813
-2	176	-5.88414
-1	176	-5.88703
0	176	-5.88799
1	176	-5.89564
2	176	-5.90242
3	176	-5.9098
4	176	-5.91869
5	176	-5.9294
6	176	-5.94304
7	176	-5.95779
8	176	-5.97489
9	176	-5.99353
10	176	-6.01375
11	176	-6.03675

12	176	-6.06141
13	176	-6.0882
14	176	-6.11503
15	176	-6.14367
16	176	-6.1804
17	176	-6.21459
18	176	-6.25083
19	176	-6.28936
20	176	-6.32972
21	176	-6.37286
22	176	-6.41864
23	176	-6.46691
24	176	-6.51717
25	176	-6.57042
26	176	-6.62649
27	176	-6.68472
28	176	-6.74627
29	176	-6.80986
30	176	-6.88668
31	176	-6.95774
32	176	-7.03183
33	176	-7.10951
34	176	-7.19077
35	176	-7.27509
36	176	-7.36352
37	176	-7.45628
38	176	-7.55285
39	176	-7.65403
40	176	-7.75939
41	176	-7.86998
42	176	-7.98434
43	176	-8.11047
44	176	-8.24064
45	176	-8.37149
46	176	-8.51006
47	176	-8.65305
48	176	-8.80348
49	176	-8.96036
50	176	-9.12417
51	176	-9.29584
52	176	-9.47411
53	176	-9.66184
54	176	-9.85793
55	176	-10.0627
56	176	-10.2768
57	176	-10.5023
58	176	-10.7374
59	176	-10.9824
60	176	-11.2435
61	176	-11.5095
62	176	-11.7943
63	176	-12.0967
64	176	-12.3944
65	176	-12.7323
66	176	-13.0839
67	176	-13.4023
68	176	-13.8085
69	176	-14.2163
70	176	-16.8244
71	176	-16.5653
72	176	-16.9591
73	176	-18.2806
74	176	-19.8617
75	176	-21.1005
76	176	-22.0949
77	176	-23.1303
78	176	-24.2341
79	176	-25.4229
80	176	-26.6791
81	176	-27.7577
82	176	-28.4699
83	176	-28.7076
84	176	-28.2474
85	176	-27.2677
86	176	-26.0563
87	176	-24.8136
88	176	-23.6354
89	176	-22.5381
90	176	-21.5357
91	176	-20.6138
92	176	-19.7597
93	176	-18.978
94	176	-18.26
95	176	-17.5937
96	176	-16.9789
97	176	-16.4062
98	176	-15.8628
99	176	-15.3562
100	176	-14.884
101	176	-14.4361
102	176	-14.0166
103	176	-13.622
104	176	-13.2452
105	176	-12.8878
106	176	-12.5484
107	176	-12.2245
108	176	-11.9168

109	176	-11.6224
110	176	-11.34
111	176	-11.074
112	176	-10.8186
113	176	-10.5726
114	176	-10.3419
115	176	-10.1207
116	176	-9.90599
117	176	-9.7026
118	176	-9.50856
119	176	-9.32033
120	176	-9.14005
121	176	-8.96693
122	176	-8.79877
123	176	-8.63976
124	176	-8.48649
125	176	-8.33745
126	176	-8.20078
127	176	-8.06846
128	176	-7.93925
129	176	-7.82074
130	176	-7.69935
131	176	-7.58015
132	176	-7.47322
133	176	-7.36966
134	176	-7.26205
135	176	-7.17013
136	176	-7.07445
137	176	-6.98671
138	176	-6.90431
139	176	-6.83385
140	176	-6.76644
141	176	-6.70478
142	176	-6.6465
143	176	-6.58683
144	176	-6.53043
145	176	-6.46946
146	176	-6.40769
147	176	-6.34184
148	176	-6.28227
149	176	-6.22328
150	176	-6.17092
151	176	-6.11857
152	176	-6.07334
153	176	-6.03051
154	176	-5.99563
155	176	-5.95907
156	176	-5.92482
157	176	-5.88655
158	176	-5.85994
159	176	-5.82978
160	176	-5.77692
161	176	-5.69769
162	176	-5.69092
163	176	-5.84192
164	176	-6.01006
165	176	-5.95403
166	176	-5.72474
167	176	-5.59446
168	176	-5.61681
169	176	-5.62838
170	176	-5.60258
171	176	-5.60076
172	176	-5.59534
173	176	-5.5816
174	176	-5.58005
175	176	-5.57484
176	176	-5.56647
177	176	-5.5664
178	176	-5.56717
179	176	-5.56516
180	176	-5.56202
-180	177	-7.10277
-179	177	-7.11169
-178	177	-7.12093
-177	177	-7.12908
-176	177	-7.1387
-175	177	-7.15107
-174	177	-7.16667
-173	177	-7.18389
-172	177	-7.2042
-171	177	-7.22572
-170	177	-7.24793
-169	177	-7.27328
-168	177	-7.30025
-167	177	-7.329
-166	177	-7.35801
-165	177	-7.39034
-164	177	-7.42983
-163	177	-7.46737
-162	177	-7.50767
-161	177	-7.55036
-160	177	-7.59523
-159	177	-7.64288
-158	177	-7.6935
-157	177	-7.74651
-156	177	-7.80141

-155	177	-7.86012
-154	177	-7.92181
-153	177	-7.98629
-152	177	-8.05432
-151	177	-8.124
-150	177	-8.19745
-149	177	-8.27353
-148	177	-8.35236
-147	177	-8.43432
-146	177	-8.52052
-145	177	-8.61091
-144	177	-8.70589
-143	177	-8.80543
-142	177	-8.90748
-141	177	-9.01161
-140	177	-9.11947
-139	177	-9.2337
-138	177	-9.35444
-137	177	-9.49167
-136	177	-9.61949
-135	177	-9.7499
-134	177	-9.88751
-133	177	-10.0336
-132	177	-10.1852
-131	177	-10.3386
-130	177	-10.4976
-129	177	-10.6662
-128	177	-10.8414
-127	177	-11.02
-126	177	-11.2073
-125	177	-11.4057
-124	177	-11.6079
-123	177	-11.8163
-122	177	-12.0406
-121	177	-12.274
-120	177	-12.5099
-119	177	-12.7611
-118	177	-13.0264
-117	177	-13.2984
-116	177	-13.5846
-115	177	-13.882
-114	177	-14.1888
-113	177	-14.5196
-112	177	-14.8966
-111	177	-15.2789
-110	177	-15.6617
-109	177	-16.0571
-108	177	-16.4871
-107	177	-16.9458
-106	177	-17.4222
-105	177	-17.9458
-104	177	-18.4969
-103	177	-19.0978
-102	177	-19.741
-101	177	-20.4336
-100	177	-21.1998
-99	177	-22.0206
-98	177	-22.9523
-97	177	-23.9737
-96	177	-25.1472
-95	177	-26.4699
-94	177	-28.0329
-93	177	-29.8841
-92	177	-32.0962
-91	177	-34.6563
-90	177	-36.9609
-89	177	-37.0943
-88	177	-34.9503
-87	177	-32.3534
-86	177	-30.1368
-85	177	-28.2501
-84	177	-26.6917
-83	177	-25.3393
-82	177	-24.1836
-81	177	-23.1441
-80	177	-22.228
-79	177	-21.391
-78	177	-20.6421
-77	177	-19.9459
-76	177	-19.3123
-75	177	-18.7179
-74	177	-18.1938
-73	177	-17.6802
-72	177	-17.2051
-71	177	-16.7514
-70	177	-16.3306
-69	177	-15.9625
-68	177	-15.5875
-67	177	-15.2277
-66	177	-14.8897
-65	177	-14.5643
-64	177	-14.2598
-63	177	-13.9673
-62	177	-13.6918
-61	177	-13.4255
-60	177	-13.1756
-59	177	-12.9352

-58	177	-12.7087
-57	177	-12.4941
-56	177	-11.1498
-55	177	-10.9783
-54	177	-10.8148
-53	177	-10.658
-52	177	-10.5079
-51	177	-10.3628
-50	177	-10.2235
-49	177	-10.0908
-48	177	-9.96085
-47	177	-9.83649
-46	177	-9.7168
-45	177	-9.60391
-44	177	-9.49133
-43	177	-9.38422
-42	177	-9.28211
-41	177	-9.18591
-40	177	-9.08732
-39	177	-8.99244
-38	177	-8.90743
-37	177	-8.82494
-36	177	-8.7488
-35	177	-8.67358
-34	177	-8.59955
-33	177	-8.52864
-32	177	-8.46112
-31	177	-8.39764
-30	177	-8.3346
-29	177	-8.27445
-28	177	-8.21888
-27	177	-8.16604
-26	177	-8.11814
-25	177	-8.07392
-24	177	-8.03251
-23	177	-7.99591
-22	177	-7.96115
-21	177	-7.92826
-20	177	-7.89755
-19	177	-7.86767
-18	177	-7.8385
-17	177	-7.81136
-16	177	-7.78504
-15	177	-7.75349
-14	177	-7.72913
-13	177	-7.70861
-12	177	-7.68826
-11	177	-7.67048
-10	177	-7.65574
-9	177	-7.64518
-8	177	-7.63468
-7	177	-7.62534
-6	177	-7.61761
-5	177	-7.61115
-4	177	-7.60546
-3	177	-7.60057
-2	177	-7.59857
-1	177	-7.59645
0	177	-7.59379
1	177	-7.59824
2	177	-7.60395
3	177	-7.61143
4	177	-7.62226
5	177	-7.63626
6	177	-7.65429
7	177	-7.67429
8	177	-7.69693
9	177	-7.72138
10	177	-7.74751
11	177	-7.7768
12	177	-7.80802
13	177	-7.84178
14	177	-7.87522
15	177	-7.91188
16	177	-7.95627
17	177	-7.99768
18	177	-8.04142
19	177	-8.08782
20	177	-8.13615
21	177	-8.18743
22	177	-8.24235
23	177	-8.29994
24	177	-8.35981
25	177	-8.42384
26	177	-8.49077
27	177	-8.56014
28	177	-8.63323
29	177	-8.70787
30	177	-8.78693
31	177	-8.86963
32	177	-8.9558
33	177	-9.0455
34	177	-9.13872
35	177	-9.23456
36	177	-9.33428
37	177	-9.43879
38	177	-9.5475

39	177	-9.66091
40	177	-9.77863
41	177	-9.90094
42	177	-10.0279
43	177	-10.1712
44	177	-10.3078
45	177	-10.4501
46	177	-10.5987
47	177	-10.7527
48	177	-10.9136
49	177	-11.08
50	177	-11.2512
51	177	-11.4306
52	177	-11.6198
53	177	-11.8148
54	177	-12.0157
55	177	-12.2267
56	177	-12.4477
57	177	-12.677
58	177	-12.9179
59	177	-13.17
60	177	-13.4296
61	177	-16.2302
62	177	-16.6118
63	177	-17.0122
64	177	-17.4268
65	177	-17.8673
66	177	-18.3419
67	177	-18.8471
68	177	-19.4153
69	177	-20.013
70	177	-20.6092
71	177	-21.2576
72	177	-21.9724
73	177	-22.7372
74	177	-23.523
75	177	-24.3747
76	177	-25.2988
77	177	-26.269
78	177	-27.1952
79	177	-27.9897
80	177	-28.6132
81	177	-28.9513
82	177	-28.9016
83	177	-28.4191
84	177	-27.7171
85	177	-26.8889
86	177	-25.9504
87	177	-24.8799
88	177	-23.8385
89	177	-22.983
90	177	-22.4385
91	177	-22.1821
92	177	-22.1012
93	177	-22.0018
94	177	-21.7112
95	177	-21.1408
96	177	-20.3233
97	177	-19.377
98	177	-18.427
99	177	-17.5609
100	177	-16.8128
101	177	-16.1876
102	177	-15.6661
103	177	-15.2298
104	177	-14.8548
105	177	-14.5243
106	177	-14.2335
107	177	-13.9478
108	177	-13.6736
109	177	-13.4107
110	177	-13.1555
111	177	-12.933
112	177	-12.691
113	177	-12.4585
114	177	-12.2335
115	177	-12.0173
116	177	-11.8075
117	177	-11.6056
118	177	-11.4094
119	177	-11.221
120	177	-11.0377
121	177	-10.86
122	177	-10.6836
123	177	-10.513
124	177	-10.3444
125	177	-10.1812
126	177	-10.019
127	177	-9.86378
128	177	-9.7087
129	177	-9.56244
130	177	-9.42063
131	177	-9.29448
132	177	-9.17657
133	177	-9.08362
134	177	-9.00907
135	177	-8.96683

136	177	-8.95138
137	177	-8.96579
138	177	-9.00085
139	177	-9.03278
140	177	-9.03416
141	177	-8.97785
142	177	-8.86488
143	177	-8.68389
144	177	-8.46723
145	177	-8.25087
146	177	-8.07009
147	177	-7.9543
148	177	-7.89091
149	177	-7.86065
150	177	-7.82829
151	177	-7.77631
152	177	-7.71755
153	177	-7.6587
154	177	-7.61382
155	177	-7.58031
156	177	-7.5407
157	177	-7.49882
158	177	-7.45842
159	177	-7.42045
160	177	-7.38952
161	177	-7.35974
162	177	-7.32531
163	177	-7.29555
164	177	-7.27245
165	177	-7.24256
166	177	-7.21735
167	177	-7.19837
168	177	-7.18038
169	177	-7.16186
170	177	-7.14578
171	177	-7.13624
172	177	-7.12677
173	177	-7.11645
174	177	-7.10835
175	177	-7.10445
176	177	-7.10253
177	177	-7.10083
178	177	-7.10135
179	177	-7.10191
180	177	-7.10277
-180	178	-9.71543
-179	178	-9.72423
-178	178	-9.73458
-177	178	-9.74546
-176	178	-9.75849
-175	178	-9.77489
-174	178	-9.79294
-173	178	-9.81369
-172	178	-9.8367
-171	178	-9.86137
-170	178	-9.88852
-169	178	-9.91677
-168	178	-9.94839
-167	178	-9.98274
-166	178	-10.0165
-165	178	-10.0546
-164	178	-10.1
-163	178	-10.1427
-162	178	-10.1879
-161	178	-10.2358
-160	178	-10.2856
-159	178	-10.3385
-158	178	-10.3936
-157	178	-10.4515
-156	178	-10.5115
-155	178	-10.5749
-154	178	-10.6405
-153	178	-10.7083
-152	178	-10.779
-151	178	-10.8504
-150	178	-10.9262
-149	178	-11.0048
-148	178	-11.0871
-147	178	-11.1729
-146	178	-11.2629
-145	178	-11.3551
-144	178	-11.452
-143	178	-11.5516
-142	178	-11.6554
-141	178	-11.7625
-140	178	-11.8734
-139	178	-11.9892
-138	178	-12.1101
-137	178	-12.2367
-136	178	-12.3677
-135	178	-12.5021
-134	178	-12.6392
-133	178	-12.7795
-132	178	-12.9231
-131	178	-13.0724
-130	178	-13.229
-129	178	-13.3944

-128	178	-13.5669
-127	178	-13.7431
-126	178	-13.9209
-125	178	-14.1032
-124	178	-14.2945
-123	178	-14.4959
-122	178	-14.7044
-121	178	-14.9176
-120	178	-15.1387
-119	178	-15.3706
-118	178	-15.6125
-117	178	-15.8595
-116	178	-16.1131
-115	178	-16.3816
-114	178	-16.6672
-113	178	-16.9631
-112	178	-17.2651
-111	178	-17.5821
-110	178	-17.9198
-109	178	-18.2713
-108	178	-18.6341
-107	178	-19.0197
-106	178	-19.4313
-105	178	-19.858
-104	178	-20.3022
-103	178	-20.7813
-102	178	-21.292
-101	178	-21.8235
-100	178	-22.3929
-99	178	-23.0156
-98	178	-23.6749
-97	178	-24.3762
-96	178	-25.1519
-95	178	-25.9936
-94	178	-26.8971
-93	178	-27.9095
-92	178	-29.036
-91	178	-30.2399
-90	178	-31.5626
-89	178	-32.97
-88	178	-34.268
-87	178	-35.2733
-86	178	-35.597
-85	178	-35.0296
-84	178	-33.9403
-83	178	-32.5953
-82	178	-31.2276
-81	178	-29.9811
-80	178	-28.8186
-79	178	-27.7608
-78	178	-26.8251
-77	178	-25.9596
-76	178	-25.1682
-75	178	-24.4561
-74	178	-23.7861
-73	178	-23.1646
-72	178	-22.5993
-71	178	-22.0636
-70	178	-21.5639
-69	178	-21.1051
-68	178	-20.666
-67	178	-20.2532
-66	178	-19.8713
-65	178	-19.5049
-64	178	-19.1597
-63	178	-18.8406
-62	178	-18.5342
-61	178	-18.2451
-60	178	-17.9768
-59	178	-17.7175
-58	178	-17.4724
-57	178	-17.2459
-56	178	-17.028
-55	178	-16.8216
-54	178	-16.6309
-53	178	-16.4472
-52	178	-16.2713
-51	178	-16.1084
-50	178	-15.949
-49	178	-15.7917
-48	178	-15.6427
-47	178	-15.4961
-46	178	-15.3488
-45	178	-15.2048
-44	178	-15.0633
-43	178	-14.9204
-42	178	-14.7798
-41	178	-14.6451
-40	178	-14.5128
-39	178	-14.3823
-38	178	-14.2577
-37	178	-14.1381
-36	178	-11.7518
-35	178	-11.6685
-34	178	-11.5895
-33	178	-11.5129
-32	178	-11.4377

-31	178	-11.3665
-30	178	-11.299
-29	178	-11.2339
-28	178	-11.1725
-27	178	-11.1147
-26	178	-11.0608
-25	178	-11.0089
-24	178	-10.9586
-23	178	-10.9121
-22	178	-10.8695
-21	178	-10.8301
-20	178	-10.7933
-19	178	-10.7596
-18	178	-10.7297
-17	178	-10.7021
-16	178	-10.6749
-15	178	-10.64
-14	178	-10.611
-13	178	-10.5883
-12	178	-10.5667
-11	178	-10.548
-10	178	-10.5328
-9	178	-10.5183
-8	178	-10.5055
-7	178	-10.4949
-6	178	-10.4869
-5	178	-10.4824
-4	178	-10.4791
-3	178	-10.4807
-2	178	-10.4842
-1	178	-10.4894
0	178	-10.4949
1	178	-10.5072
2	178	-10.5216
3	178	-10.5368
4	178	-10.5548
5	178	-10.5759
6	178	-10.5975
7	178	-10.6208
8	178	-10.646
9	178	-10.6726
10	178	-10.7016
11	178	-10.7307
12	178	-10.7633
13	178	-10.7988
14	178	-10.8336
15	178	-10.8733
16	178	-10.9206
17	178	-10.964
18	178	-11.0101
19	178	-11.0592
20	178	-11.11
21	178	-11.1643
22	178	-11.2211
23	178	-11.2817
24	178	-11.3448
25	178	-11.4119
26	178	-11.4821
27	178	-11.5553
28	178	-11.6326
29	178	-11.7112
30	178	-11.7949
31	178	-11.8823
32	178	-11.9737
33	178	-12.0691
34	178	-12.1685
35	178	-12.2702
36	178	-12.3773
37	178	-12.4871
38	178	-12.602
39	178	-12.7211
40	178	-12.8455
41	178	-15.3893
42	178	-15.5634
43	178	-15.7456
44	178	-15.9335
45	178	-16.1258
46	178	-16.3235
47	178	-16.5293
48	178	-16.7465
49	178	-16.9764
50	178	-17.2167
51	178	-17.4656
52	178	-17.7229
53	178	-17.991
54	178	-18.2716
55	178	-18.565
56	178	-18.8705
57	178	-19.1886
58	178	-19.5229
59	178	-19.8763
60	178	-20.2481
61	178	-20.6332
62	178	-21.0332
63	178	-21.4563
64	178	-21.9089
65	178	-22.3875

66	178	-22.8849
67	178	-23.4065
68	178	-23.9579
69	178	-24.5375
70	178	-25.1396
71	178	-25.7682
72	178	-26.4196
73	178	-27.0677
74	178	-27.6893
75	178	-28.2789
76	178	-28.7997
77	178	-29.1828
78	178	-29.4012
79	178	-29.4443
80	178	-29.2807
81	178	-28.9361
82	178	-28.4632
83	178	-27.8792
84	178	-27.2245
85	178	-26.5604
86	178	-25.892
87	178	-25.2241
88	178	-24.5861
89	178	-23.9739
90	178	-23.3775
91	178	-22.8148
92	178	-22.2817
93	178	-21.764
94	178	-21.2754
95	178	-20.8134
96	178	-20.3631
97	178	-19.9343
98	178	-19.5298
99	178	-19.1362
100	178	-18.7611
101	178	-18.4067
102	178	-18.0589
103	178	-17.7253
104	178	-17.4088
105	178	-17.0982
106	178	-16.801
107	178	-16.52
108	178	-16.244
109	178	-15.9793
110	178	-15.7278
111	178	-15.4794
112	178	-15.2418
113	178	-15.0175
114	178	-14.7971
115	178	-14.5877
116	178	-14.3896
117	178	-14.1944
118	178	-14.008
119	178	-13.8321
120	178	-13.6582
121	178	-13.4921
122	178	-13.3364
123	178	-13.1821
124	178	-13.0335
125	178	-12.8931
126	178	-12.7526
127	178	-12.6155
128	178	-12.4865
129	178	-12.3586
130	178	-12.2323
131	178	-12.1138
132	178	-11.9975
133	178	-11.8817
134	178	-11.7731
135	178	-11.6673
136	178	-11.5604
137	178	-11.4591
138	178	-11.3636
139	178	-11.2684
140	178	-11.1776
141	178	-11.0939
142	178	-11.0115
143	178	-10.9297
144	178	-10.8546
145	178	-10.7855
146	178	-10.716
147	178	-10.6482
148	178	-10.5861
149	178	-10.5265
150	178	-10.4661
151	178	-10.4087
152	178	-10.3579
153	178	-10.3081
154	178	-10.2573
155	178	-10.208
156	178	-10.1629
157	178	-10.1207
158	178	-10.0785
159	178	-10.0382
160	178	-10.0027
161	178	-9.97135
162	178	-9.941

163	178	-9.91053
164	178	-9.88109
165	178	-9.84762
166	178	-9.82206
167	178	-9.80105
168	178	-9.77899
169	178	-9.75954
170	178	-9.74591
171	178	-9.73579
172	178	-9.72776
173	178	-9.72019
174	178	-9.71253
175	178	-9.70671
176	178	-9.70267
177	178	-9.70385
178	178	-9.70756
179	178	-9.71211
180	178	-9.71543
-180	179	-14.333
-179	179	-14.3396
-178	179	-14.3528
-177	179	-14.3634
-176	179	-14.3768
-175	179	-14.3943
-174	179	-14.4108
-173	179	-14.4315
-172	179	-14.4533
-171	179	-14.4742
-170	179	-14.5016
-169	179	-14.5277
-168	179	-14.5574
-167	179	-14.5893
-166	179	-14.621
-165	179	-14.6582
-164	179	-14.7025
-163	179	-14.7424
-162	179	-14.7838
-161	179	-14.8283
-160	179	-14.8745
-159	179	-14.9234
-158	179	-14.9736
-157	179	-15.0258
-156	179	-15.0798
-155	179	-15.1374
-154	179	-15.1974
-153	179	-15.2594
-152	179	-15.3226
-151	179	-15.3899
-150	179	-15.4575
-149	179	-15.5296
-148	179	-15.6042
-147	179	-15.6795
-146	179	-15.7593
-145	179	-15.8417
-144	179	-15.9272
-143	179	-16.016
-142	179	-16.106
-141	179	-16.2014
-140	179	-16.2997
-139	179	-16.4011
-138	179	-16.505
-137	179	-16.6123
-136	179	-16.7227
-135	179	-16.8358
-134	179	-16.9519
-133	179	-17.0707
-132	179	-17.1935
-131	179	-17.3197
-130	179	-17.4492
-129	179	-17.583
-128	179	-17.7212
-127	179	-17.8643
-126	179	-18.0118
-125	179	-18.1634
-124	179	-18.3183
-123	179	-18.4767
-122	179	-18.639
-121	179	-18.8055
-120	179	-18.9772
-119	179	-19.1554
-118	179	-19.3401
-117	179	-19.5315
-116	179	-19.728
-115	179	-19.9292
-114	179	-20.1342
-113	179	-20.3432
-112	179	-20.5582
-111	179	-20.7812
-110	179	-21.0134
-109	179	-21.255
-108	179	-21.5053
-107	179	-21.7611
-106	179	-22.022
-105	179	-22.2896
-104	179	-22.5665
-103	179	-22.8558
-102	179	-23.1583

-101	179	-23.4724
-100	179	-23.7942
-99	179	-24.1226
-98	179	-24.459
-97	179	-24.8081
-96	179	-25.1737
-95	179	-25.5578
-94	179	-25.956
-93	179	-26.3627
-92	179	-26.7774
-91	179	-27.204
-90	179	-27.6484
-89	179	-28.1136
-88	179	-28.5912
-87	179	-29.0711
-86	179	-29.545
-85	179	-30.0147
-84	179	-30.4848
-83	179	-30.9501
-82	179	-31.3913
-81	179	-31.7824
-80	179	-32.1058
-79	179	-32.3606
-78	179	-32.5463
-77	179	-32.6505
-76	179	-32.6538
-75	179	-32.5463
-74	179	-32.3431
-73	179	-32.0744
-72	179	-31.7594
-71	179	-31.4017
-70	179	-31.0019
-69	179	-30.5724
-68	179	-30.133
-67	179	-29.7028
-66	179	-29.2835
-65	179	-28.8693
-64	179	-28.4561
-63	179	-28.0484
-62	179	-27.6566
-61	179	-27.2851
-60	179	-26.9331
-59	179	-26.5911
-58	179	-26.2559
-57	179	-25.9317
-56	179	-25.6211
-55	179	-25.3286
-54	179	-25.0507
-53	179	-24.7827
-52	179	-24.5202
-51	179	-24.2641
-50	179	-24.018
-49	179	-23.7858
-48	179	-23.5662
-47	179	-23.3575
-46	179	-23.1513
-45	179	-22.9493
-44	179	-22.7548
-43	179	-22.5699
-42	179	-22.3962
-41	179	-22.2292
-40	179	-22.0701
-39	179	-21.9145
-38	179	-21.7612
-37	179	-21.6153
-36	179	-21.4762
-35	179	-21.3474
-34	179	-21.2232
-33	179	-21.1039
-32	179	-20.9882
-31	179	-20.8755
-30	179	-20.7671
-29	179	-20.6651
-28	179	-20.571
-27	179	-20.481
-26	179	-20.3957
-25	179	-20.3149
-24	179	-20.2376
-23	179	-20.163
-22	179	-20.092
-21	179	-20.0264
-20	179	-19.9648
-19	179	-19.9077
-18	179	-19.8552
-17	179	-19.8069
-16	179	-19.7617
-15	179	-19.7032
-14	179	-19.6534
-13	179	-19.6211
-12	179	-19.586
-11	179	-19.5557
-10	179	-19.5335
-9	179	-19.5088
-8	179	-19.493
-7	179	-19.4764
-6	179	-19.4609
-5	179	-19.4582

-4	179	-19.4487
-3	179	-19.4421
-2	179	-19.4419
-1	179	-19.4384
0	179	-19.4329
1	179	-19.4372
2	179	-19.45
3	179	-19.4573
4	179	-19.4707
5	179	-19.4904
6	179	-19.5067
7	179	-19.5318
8	179	-19.5582
9	179	-19.5844
10	179	-19.6208
11	179	-19.6541
12	179	-19.6941
13	179	-19.74
14	179	-19.7839
15	179	-19.8419
16	179	-19.913
17	179	-19.9726
18	179	-20.035
19	179	-20.1044
20	179	-20.1772
21	179	-20.2544
22	179	-20.3354
23	179	-20.4194
24	179	-20.5099
25	179	-20.6051
26	179	-20.7053
27	179	-20.8084
28	179	-20.9167
29	179	-21.0313
30	179	-21.1488
31	179	-21.2745
32	179	-21.4058
33	179	-21.537
34	179	-21.68
35	179	-21.8288
36	179	-21.9833
37	179	-22.1444
38	179	-22.3075
39	179	-22.4809
40	179	-22.6601
41	179	-22.8453
42	179	-23.0318
43	179	-23.2278
44	179	-23.4277
45	179	-23.634
46	179	-23.8462
47	179	-24.0644
48	179	-24.2875
49	179	-24.519
50	179	-24.7576
51	179	-25.0026
52	179	-25.2534
53	179	-25.5084
54	179	-25.7657
55	179	-26.0234
56	179	-26.2801
57	179	-26.5351
58	179	-26.7884
59	179	-27.0395
60	179	-27.2855
61	179	-27.5238
62	179	-27.7486
63	179	-27.954
64	179	-28.1348
65	179	-28.2876
66	179	-28.4117
67	179	-28.5066
68	179	-28.5705
69	179	-28.6004
70	179	-28.591
71	179	-28.5391
72	179	-28.444
73	179	-28.3126
74	179	-28.1511
75	179	-27.9642
76	179	-27.7537
77	179	-27.5189
78	179	-27.2601
79	179	-26.9805
80	179	-26.69
81	179	-26.3942
82	179	-26.0981
83	179	-25.8005
84	179	-25.499
85	179	-25.1941
86	179	-24.8885
87	179	-24.5882
88	179	-24.2956
89	179	-24.01
90	179	-23.728
91	179	-23.4465
92	179	-23.1677

93	179	-22.895
94	179	-22.6321
95	179	-22.3784
96	179	-22.1304
97	179	-21.885
98	179	-21.6434
99	179	-21.4081
100	179	-21.1821
101	179	-20.9648
102	179	-20.7528
103	179	-20.5432
104	179	-20.3359
105	179	-20.134
106	179	-19.9398
107	179	-19.7527
108	179	-19.5701
109	179	-19.3893
110	179	-19.2106
111	179	-19.0371
112	179	-18.8709
113	179	-18.7113
114	179	-18.5559
115	179	-18.4021
116	179	-18.2501
117	179	-18.1025
118	179	-17.9615
119	179	-17.8259
120	179	-17.6936
121	179	-17.5623
122	179	-17.4323
123	179	-17.3064
124	179	-17.1858
125	179	-17.0706
126	179	-16.9583
127	179	-16.847
128	179	-16.7372
129	179	-16.6302
130	179	-16.5278
131	179	-16.4307
132	179	-16.3369
133	179	-16.245
134	179	-16.1532
135	179	-16.0628
136	179	-15.9762
137	179	-15.8938
138	179	-15.8154
139	179	-15.7383
140	179	-15.6628
141	179	-15.5883
142	179	-15.5148
143	179	-15.4452
144	179	-15.379
145	179	-15.317
146	179	-15.2559
147	179	-15.1956
148	179	-15.1358
149	179	-15.0778
150	179	-15.0223
151	179	-14.9704
152	179	-14.923
153	179	-14.8764
154	179	-14.8312
155	179	-14.787
156	179	-14.7441
157	179	-14.703
158	179	-14.6643
159	179	-14.6286
160	179	-14.5954
161	179	-14.5649
162	179	-14.5368
163	179	-14.5101
164	179	-14.4844
165	179	-14.451
166	179	-14.4231
167	179	-14.4055
168	179	-14.3864
169	179	-14.3703
170	179	-14.3594
171	179	-14.3479
172	179	-14.3421
173	179	-14.3359
174	179	-14.3301
175	179	-14.3308
176	179	-14.3285
177	179	-14.3284
178	179	-14.3311
179	179	-14.3333
180	179	-14.333
-180	180	-25.572
-179	180	-25.572
-178	180	-25.572
-177	180	-25.572
-176	180	-25.572
-175	180	-25.572
-174	180	-25.572
-173	180	-25.572
-172	180	-25.572

-171	180	-25.572
-170	180	-25.572
-169	180	-25.572
-168	180	-25.572
-167	180	-25.572
-166	180	-25.572
-165	180	-25.572
-164	180	-25.572
-163	180	-25.572
-162	180	-25.572
-161	180	-25.572
-160	180	-25.572
-159	180	-25.572
-158	180	-25.572
-157	180	-25.572
-156	180	-25.572
-155	180	-25.572
-154	180	-25.572
-153	180	-25.572
-152	180	-25.572
-151	180	-25.572
-150	180	-25.572
-149	180	-25.572
-148	180	-25.572
-147	180	-25.572
-146	180	-25.572
-145	180	-25.572
-144	180	-25.572
-143	180	-25.572
-142	180	-25.572
-141	180	-25.572
-140	180	-25.572
-139	180	-25.572
-138	180	-25.572
-137	180	-25.572
-136	180	-25.572
-135	180	-25.572
-134	180	-25.572
-133	180	-25.572
-132	180	-25.572
-131	180	-25.572
-130	180	-25.572
-129	180	-25.572
-128	180	-25.572
-127	180	-25.572
-126	180	-25.572
-125	180	-25.572
-124	180	-25.572
-123	180	-25.572
-122	180	-25.572
-121	180	-25.572
-120	180	-25.572
-119	180	-25.572
-118	180	-25.572
-117	180	-25.572
-116	180	-25.572
-115	180	-25.572
-114	180	-25.572
-113	180	-25.572
-112	180	-25.572
-111	180	-25.572
-110	180	-25.572
-109	180	-25.572
-108	180	-25.572
-107	180	-25.572
-106	180	-25.572
-105	180	-25.572
-104	180	-25.572
-103	180	-25.572
-102	180	-25.572
-101	180	-25.572
-100	180	-25.572
-99	180	-25.572
-98	180	-25.572
-97	180	-25.572
-96	180	-25.572
-95	180	-25.572
-94	180	-25.572
-93	180	-25.572
-92	180	-25.572
-91	180	-25.572
-90	180	-25.572
-89	180	-25.572
-88	180	-25.572
-87	180	-25.572
-86	180	-25.572
-85	180	-25.572
-84	180	-25.572
-83	180	-25.572
-82	180	-25.572
-81	180	-25.572
-80	180	-25.572
-79	180	-25.572
-78	180	-25.572
-77	180	-25.572
-76	180	-25.572
-75	180	-25.572

-74	180	-25.572
-73	180	-25.572
-72	180	-25.572
-71	180	-25.572
-70	180	-25.572
-69	180	-25.572
-68	180	-25.572
-67	180	-25.572
-66	180	-25.572
-65	180	-25.572
-64	180	-25.572
-63	180	-25.572
-62	180	-25.572
-61	180	-25.572
-60	180	-25.572
-59	180	-25.572
-58	180	-25.572
-57	180	-25.572
-56	180	-25.572
-55	180	-25.572
-54	180	-25.572
-53	180	-25.572
-52	180	-25.572
-51	180	-25.572
-50	180	-25.572
-49	180	-25.572
-48	180	-25.572
-47	180	-25.572
-46	180	-25.572
-45	180	-25.572
-44	180	-25.572
-43	180	-25.572
-42	180	-25.572
-41	180	-25.572
-40	180	-25.572
-39	180	-25.572
-38	180	-25.572
-37	180	-25.572
-36	180	-25.572
-35	180	-25.572
-34	180	-25.572
-33	180	-25.572
-32	180	-25.572
-31	180	-25.572
-30	180	-25.572
-29	180	-25.572
-28	180	-25.572
-27	180	-25.572
-26	180	-25.572
-25	180	-25.572
-24	180	-25.572
-23	180	-25.572
-22	180	-25.572
-21	180	-25.572
-20	180	-25.572
-19	180	-25.572
-18	180	-25.572
-17	180	-25.572
-16	180	-25.572
-15	180	-25.572
-14	180	-25.572
-13	180	-25.572
-12	180	-25.572
-11	180	-25.572
-10	180	-25.572
-9	180	-25.572
-8	180	-25.572
-7	180	-25.572
-6	180	-25.572
-5	180	-25.572
-4	180	-25.572
-3	180	-25.572
-2	180	-25.572
-1	180	-25.572
0	180	-25.572
1	180	-25.572
2	180	-25.572
3	180	-25.572
4	180	-25.572
5	180	-25.572
6	180	-25.572
7	180	-25.572
8	180	-25.572
9	180	-25.572
10	180	-25.572
11	180	-25.572
12	180	-25.572
13	180	-25.572
14	180	-25.572
15	180	-25.572
16	180	-25.572
17	180	-25.572
18	180	-25.572
19	180	-25.572
20	180	-25.572
21	180	-25.572
22	180	-25.572

23	180	-25.572
24	180	-25.572
25	180	-25.572
26	180	-25.572
27	180	-25.572
28	180	-25.572
29	180	-25.572
30	180	-25.572
31	180	-25.572
32	180	-25.572
33	180	-25.572
34	180	-25.572
35	180	-25.572
36	180	-25.572
37	180	-25.572
38	180	-25.572
39	180	-25.572
40	180	-25.572
41	180	-25.572
42	180	-25.572
43	180	-25.572
44	180	-25.572
45	180	-25.572
46	180	-25.572
47	180	-25.572
48	180	-25.572
49	180	-25.572
50	180	-25.572
51	180	-25.572
52	180	-25.572
53	180	-25.572
54	180	-25.572
55	180	-25.572
56	180	-25.572
57	180	-25.572
58	180	-25.572
59	180	-25.572
60	180	-25.572
61	180	-25.572
62	180	-25.572
63	180	-25.572
64	180	-25.572
65	180	-25.572
66	180	-25.572
67	180	-25.572
68	180	-25.572
69	180	-25.572
70	180	-25.572
71	180	-25.572
72	180	-25.572
73	180	-25.572
74	180	-25.572
75	180	-25.572
76	180	-25.572
77	180	-25.572
78	180	-25.572
79	180	-25.572
80	180	-25.572
81	180	-25.572
82	180	-25.572
83	180	-25.572
84	180	-25.572
85	180	-25.572
86	180	-25.572
87	180	-25.572
88	180	-25.572
89	180	-25.572
90	180	-25.572
91	180	-25.572
92	180	-25.572
93	180	-25.572
94	180	-25.572
95	180	-25.572
96	180	-25.572
97	180	-25.572
98	180	-25.572
99	180	-25.572
100	180	-25.572
101	180	-25.572
102	180	-25.572
103	180	-25.572
104	180	-25.572
105	180	-25.572
106	180	-25.572
107	180	-25.572
108	180	-25.572
109	180	-25.572
110	180	-25.572
111	180	-25.572
112	180	-25.572
113	180	-25.572
114	180	-25.572
115	180	-25.572
116	180	-25.572
117	180	-25.572
118	180	-25.572
119	180	-25.572

120	180	-25.572
121	180	-25.572
122	180	-25.572
123	180	-25.572
124	180	-25.572
125	180	-25.572
126	180	-25.572
127	180	-25.572
128	180	-25.572
129	180	-25.572
130	180	-25.572
131	180	-25.572
132	180	-25.572
133	180	-25.572
134	180	-25.572
135	180	-25.572
136	180	-25.572
137	180	-25.572
138	180	-25.572
139	180	-25.572
140	180	-25.572
141	180	-25.572
142	180	-25.572
143	180	-25.572
144	180	-25.572
145	180	-25.572
146	180	-25.572
147	180	-25.572
148	180	-25.572
149	180	-25.572
150	180	-25.572
151	180	-25.572
152	180	-25.572
153	180	-25.572
154	180	-25.572
155	180	-25.572
156	180	-25.572
157	180	-25.572
158	180	-25.572
159	180	-25.572
160	180	-25.572
161	180	-25.572
162	180	-25.572
163	180	-25.572
164	180	-25.572
165	180	-25.572
166	180	-25.572
167	180	-25.572
168	180	-25.572
169	180	-25.572
170	180	-25.572
171	180	-25.572
172	180	-25.572
173	180	-25.572
174	180	-25.572
175	180	-25.572
176	180	-25.572
177	180	-25.572
178	180	-25.572
179	180	-25.572
180	180	-25.572