

Table of Contents

Sheet 1	Pages 2-140	ATM Ant Patterns
Sheet 2	Pages 141-260	BTM Ant Patterns
Sheet 3	Pages 261-425	SOTM Ant Patterns
Sheet 4	Pages 426-1113	Payload OTM Ant Patterns

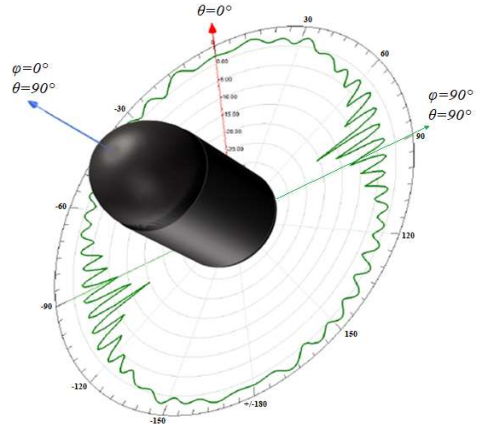
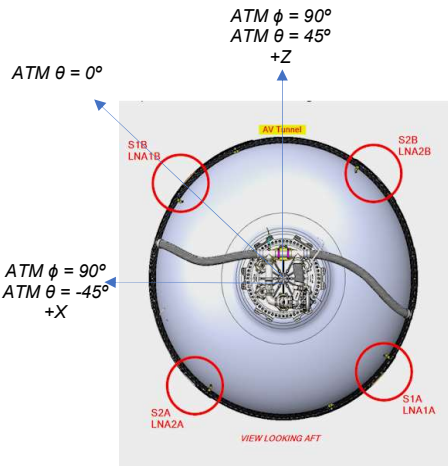
Phi[deg]	Theta[deg]	dB(GainTotal)
-180	0	0.9
-178	0	0.9
-176	0	0.9
-174	Pages 261-4	0.9
-172	Pages 426-1	0.9
-170	0	0.9
-168	0	0.9
-166	0	0.9
-164	0	0.9
-162	0	0.9
-160	0	0.9
-158	0	0.9
-156	0	0.9
-154	0	0.9
-152	0	0.9
-150	0	0.9
-148	0	0.9
-146	0	0.9
-144	0	0.9
-142	0	0.9
-140	0	0.9
-138	0	0.9
-136	0	0.9
-134	0	0.9
-132	0	0.9
-130	0	0.9
-128	0	0.9
-126	0	0.9
-124	0	0.9
-122	0	0.9
-120	0	0.9
-118	0	0.9
-116	0	0.9
-114	0	0.9
-112	0	0.9
-110	0	0.9
-108	0	0.9
-106	0	0.9
-104	0	0.9
-102	0	0.9
-100	0	0.9
-98	0	0.9
-96	0	0.9
-94	0	0.9
-92	0	0.9
-90	0	0.9
-88	0	0.9
-86	0	0.9
-84	0	0.9
-82	0	0.9
-80	0	0.9
-78	0	0.9
-76	0	0.9
-74	0	0.9
-72	0	0.9
-70	0	0.9
-68	0	0.9
-66	0	0.9
-64	0	0.9
-62	0	0.9
-60	0	0.9
-58	0	0.9
-56	0	0.9
-54	0	0.9
-52	0	0.9
-50	0	0.9
-48	0	0.9
-46	0	0.9
-44	0	0.9
-42	0	0.9
-40	0	0.9
-38	0	0.9
-36	0	0.9
-34	0	0.9
-32	0	0.9
-30	0	0.9
-28	0	0.9
-26	0	0.9
-24	0	0.9
-22	0	0.9
-20	0	0.9
-18	0	0.9
-16	0	0.9
-14	0	0.9
-12	0	0.9
-10	0	0.9
-8	0	0.9
-6	0	0.9
-4	0	0.9
-2	0	0.9
0	0	0.9
2	0	0.9
4	0	0.9
6	0	0.9
8	0	0.9
10	0	0.9
12	0	0.9
14	0	0.9
16	0	0.9
18	0	0.9
20	0	0.9
22	0	0.9
24	0	0.9
26	0	0.9
28	0	0.9
30	0	0.9
32	0	0.9
34	0	0.9
36	0	0.9
38	0	0.9
40	0	0.9
42	0	0.9
44	0	0.9
46	0	0.9
48	0	0.9
50	0	0.9
52	0	0.9
54	0	0.9

BTM ANTENNA NOTES:

PHI AND THETA ARE ANGLES WITHIN THE ATM OR BTM ANTENNA REFERENCE FRAME. THE BTM PATTERN IS IDENTICAL TO THE ATM PATTERN, EXCEPT ROTATED BY 90 DEGREES WITH RESPECT TO THE VEHICLE.
 ANTENNA PATTERN DIAGRAM SHOWN BELOW IS AN INDICATIVE EXAMPLE ONLY AND DOES NOT NECESSARILY CORRESPOND TO DATA. VALID VALUES IN NUMERICAL DATA ON THE LEFT.
 X, Y AND Z ARE DIRECTIONS IN CARTESIAN FRAMES
 ANTENNA CARTESIAN FRAME DEFINED W.R.T. VEHICLE BODY FRAME BY DCM.
 VEHICLE BODY FRAME Y AXIS IS ORIENTATED ALONG VEHICLE MAIN AXIS (CYLINDER AXIS).
 VEHICLE BODY FRAME X AND Z AXES COLINEAR TO VEHICLE CYLINDER BASE PLANE, WITH X AT VEHICLE DATUM.
 +Y VEHICLE DIRECTION CORRESPONDS TO ATM ANTENNA ANGLES PHI = 0°, THETA = 90°, AND FACES FORWARDS OUT OF THE NOSE CONE.
 +Z VEHICLE DIRECTION CORRESPONDS TO ATM ANTENNA ANGLE PHI = 90°, THETA = 45°
 +X VEHICLE DIRECTION CORRESPONDS TO ATM ANTENNA ANGLES PHI = 90°, THETA = -45°
 RED CIRCLES REPRESENT ANTENNA PAIR MOUNTINGS. S1A AND S1B ARE A PHASED PAIR THAT EMIT THE ATM CARRIER. S2A AND S2B ARE A PHASED PAIR THAT EMIT THE BTM CARRIER
 ALL ANTENNAS ON STAGE 2 ARE 45° LINEAR POLARISATION. THEREFORE, WHEN ASSESSING THE LHCP/RHCP-RECEIVED GROUND STATION SIGNAL, AN ASSUMED 3dB LOSS SHOULD BE APPLIED
 Angle BODY to ANT -45 deg
 -0.7854 rad

THE COORDINATES OF THE ANTENNA FRAME VECTORS IN THE BODY FRAME ARE THE FOLLOWING

	X_BODY	Y_BODY	Z_BODY
X_ANT	-0.70711	0	0.707107
Y_ANT	0.707107	0	0.707107
Z_ANT	0	1	0



56	0	0.9
58	0	0.9
60	0	0.9
62	0	0.9
64	0	0.9
66	0	0.9
68	0	0.9
70	0	0.9
72	0	0.9
74	0	0.9
76	0	0.9
78	0	0.9
80	0	0.9
82	0	0.9
84	0	0.9
86	0	0.9
88	0	0.9
90	0	0.9
92	0	0.9
94	0	0.9
96	0	0.9
98	0	0.9
100	0	0.9
102	0	0.9
104	0	0.9
106	0	0.9
108	0	0.9
110	0	0.9
112	0	0.9
114	0	0.9
116	0	0.9
118	0	0.9
120	0	0.9
122	0	0.9
124	0	0.9
126	0	0.9
128	0	0.9
130	0	0.9
132	0	0.9
134	0	0.9
136	0	0.9
138	0	0.9
140	0	0.9
142	0	0.9
144	0	0.9
146	0	0.9
148	0	0.9
150	0	0.9
152	0	0.9
154	0	0.9
156	0	0.9
158	0	0.9
160	0	0.9
162	0	0.9
164	0	0.9
166	0	0.9
168	0	0.9
170	0	0.9
172	0	0.9
174	0	0.9
176	0	0.9
178	0	0.9
180	0	0.9
-180	2	-3.4
-178	2	-3.4
-176	2	-3.4
-174	2	-3.4
-172	2	-3.3
-170	2	-3.3
-168	2	-3.2
-166	2	-3.1
-164	2	-3
-162	2	-2.9
-160	2	-2.8
-158	2	-2.7
-156	2	-2.6
-154	2	-2.5
-152	2	-2.3
-150	2	-2.2
-148	2	-2
-146	2	-1.9
-144	2	-1.7
-142	2	-1.6
-140	2	-1.4
-138	2	-1.3
-136	2	-1.1
-134	2	-1
-132	2	-0.8
-130	2	-0.7
-128	2	-0.5
-126	2	-0.4
-124	2	-0.3
-122	2	-0.1
-120	2	3.60E-14
-118	2	0.1
-116	2	0.2
-114	2	0.3
-112	2	0.4
-110	2	0.5
-108	2	0.6
-106	2	0.6
-104	2	0.7
-102	2	0.8
-100	2	0.8
-98	2	0.8
-96	2	0.9
-94	2	0.9
-92	2	0.9
-90	2	0.9
-88	2	0.9
-86	2	0.9
-84	2	0.8
-82	2	0.8
-80	2	0.8
-78	2	0.7
-76	2	0.6
-74	2	0.6
-72	2	0.5
-70	2	0.4

-68	2	0.3
-66	2	0.2
-64	2	0.1
-62	2	3.64E-14
-60	2	-0.1
-58	2	-0.3
-56	2	-0.4
-54	2	-0.5
-52	2	-0.7
-50	2	-0.8
-48	2	-1
-46	2	-1.1
-44	2	-1.3
-42	2	-1.4
-40	2	-1.6
-38	2	-1.8
-36	2	-1.9
-34	2	-2.1
-32	2	-2.2
-30	2	-2.4
-28	2	-2.5
-26	2	-2.7
-24	2	-2.8
-22	2	-2.9
-20	2	-3
-18	2	-3.1
-16	2	-3.2
-14	2	-3.3
-12	2	-3.4
-10	2	-3.5
-8	2	-3.5
-6	2	-3.6
-4	2	-3.6
-2	2	-3.6
0	2	-3.6
2	2	-3.6
4	2	-3.6
6	2	-3.5
8	2	-3.5
10	2	-3.4
12	2	-3.4
14	2	-3.3
16	2	-3.2
18	2	-3.1
20	2	-3
22	2	-2.8
24	2	-2.7
26	2	-2.6
28	2	-2.4
30	2	-2.3
32	2	-2.1
34	2	-2
36	2	-1.8
38	2	-1.6
40	2	-1.5
42	2	-1.3
44	2	-1.2
46	2	-1
48	2	-0.9
50	2	-0.7
52	2	-0.6
54	2	-0.4
56	2	-0.3
58	2	-0.2
60	2	3.64E-14
62	2	0.1
64	2	0.2
66	2	0.3
68	2	0.4
70	2	0.5
72	2	0.6
74	2	0.7
76	2	0.7
78	2	0.8
80	2	0.8
82	2	0.9
84	2	0.9
86	2	0.9
88	2	1
90	2	1
92	2	1
94	2	0.9
96	2	0.9
98	2	0.9
100	2	0.8
102	2	0.8
104	2	0.7
106	2	0.7
108	2	0.6
110	2	0.5
112	2	0.4
114	2	0.3
116	2	0.2
118	2	0.1
120	2	3.06E-14
122	2	-0.1
124	2	-0.3
126	2	-0.4
128	2	-0.5
130	2	-0.7
132	2	-0.8
134	2	-1
136	2	-1.1
138	2	-1.3
140	2	-1.4
142	2	-1.6
144	2	-1.7
146	2	-1.9
148	2	-2
150	2	-2.2
152	2	-2.3
154	2	-2.5
156	2	-2.6
158	2	-2.7
160	2	-2.8
162	2	-2.9
164	2	-3
166	2	-3.1
168	2	-3.2

170	2	-3.3
172	2	-3.3
174	2	-3.4
176	2	-3.4
178	2	-3.4
180	2	-3.4
-180	4	-9.6
-178	4	-9.6
-176	4	-9.7
-174	4	-9.9
-172	4	-10.1
-170	4	-10.4
-168	4	-10.7
-166	4	-11.2
-164	4	-11.7
-162	4	-12.4
-160	4	-13.1
-158	4	-14
-156	4	-15.1
-154	4	-16.2
-152	4	-17.4
-150	4	-18.4
-148	4	-18.7
-146	4	-18.2
-144	4	-16.9
-142	4	-15.3
-140	4	-13.7
-138	4	-12.1
-136	4	-10.7
-134	4	-9.4
-132	4	-8.3
-130	4	-7.3
-128	4	-6.3
-126	4	-5.4
-124	4	-4.7
-122	4	-3.9
-120	4	-3.3
-118	4	-2.7
-116	4	-2.2
-114	4	-1.7
-112	4	-1.2
-110	4	-0.8
-108	4	-0.5
-106	4	-0.2
-104	4	0.1
-102	4	0.4
-100	4	0.5
-98	4	0.7
-96	4	0.8
-94	4	0.9
-92	4	1
-90	4	1
-88	4	0.9
-86	4	0.9
-84	4	0.8
-82	4	0.6
-80	4	0.5
-78	4	0.2
-76	4	-1.87E-14
-74	4	-0.3
-72	4	-0.6
-70	4	-1
-68	4	-1.4
-66	4	-1.9
-64	4	-2.4
-62	4	-3
-60	4	-3.6
-58	4	-4.3
-56	4	-5.1
-54	4	-5.9
-52	4	-6.8
-50	4	-7.9
-48	4	-9
-46	4	-10.3
-44	4	-11.7
-42	4	-13.3
-40	4	-15.1
-38	4	-17.1
-36	4	-18.9
-34	4	-20.1
-32	4	-20
-30	4	-18.8
-28	4	-17.3
-26	4	-15.9
-24	4	-14.6
-22	4	-13.6
-20	4	-12.7
-18	4	-11.9
-16	4	-11.3
-14	4	-10.8
-12	4	-10.4
-10	4	-10
-8	4	-9.7
-6	4	-9.5
-4	4	-9.4
-2	4	-9.3
0	4	-9.3
2	4	-9.3
4	4	-9.4
6	4	-9.6
8	4	-9.8
10	4	-10.1
12	4	-10.5
14	4	-10.9
16	4	-11.5
18	4	-12.1
20	4	-12.9
22	4	-13.7
24	4	-14.7
26	4	-15.8
28	4	-17
30	4	-17.9
32	4	-18.3
34	4	-17.8
36	4	-16.6
38	4	-15.1
40	4	-13.5
42	4	-12
44	4	-10.6

46	4	-9.3
48	4	-8.2
50	4	-7.2
52	4	-6.2
54	4	-5.4
56	4	-4.6
58	4	-3.9
60	4	-3.2
62	4	-2.6
64	4	-2.1
66	4	-1.6
68	4	-1.1
70	4	-0.7
72	4	-0.4
74	4	-0.1
76	4	0.2
78	4	0.4
80	4	0.6
82	4	0.8
84	4	0.9
86	4	1
88	4	1.1
90	4	1.1
92	4	1
94	4	1
96	4	0.9
98	4	0.8
100	4	0.6
102	4	0.4
104	4	0.1
106	4	-0.1
108	4	-0.5
110	4	-0.8
112	4	-1.3
114	4	-1.7
116	4	-2.2
118	4	-2.8
120	4	-3.4
122	4	-4
124	4	-4.8
126	4	-5.6
128	4	-6.5
130	4	-7.5
132	4	-8.5
134	4	-9.7
136	4	-11.1
138	4	-12.6
140	4	-14.2
142	4	-16
144	4	-17.7
146	4	-19.1
148	4	-19.5
150	4	-18.8
152	4	-17.6
154	4	-16.3
156	4	-15.1
158	4	-14
160	4	-13.1
162	4	-12.3
164	4	-11.7
166	4	-11.1
168	4	-10.7
170	4	-10.3
172	4	-10
174	4	-9.8
176	4	-9.7
178	4	-9.6
180	4	-9.6
-180	6	0.6
-178	6	0.6
-176	6	0.6
-174	6	0.6
-172	6	0.5
-170	6	0.4
-168	6	0.4
-166	6	0.3
-164	6	0.1
-162	6	1.35E-13
-160	6	-0.2
-158	6	-0.4
-156	6	-0.6
-154	6	-0.8
-152	6	-1.1
-150	6	-1.5
-148	6	-1.9
-146	6	-2.4
-144	6	-2.9
-142	6	-3.6
-140	6	-4.4
-138	6	-5.3
-136	6	-6.4
-134	6	-7.7
-132	6	-9.3
-130	6	-11.3
-128	6	-13.8
-126	6	-16.2
-124	6	-16.8
-122	6	-14.6
-120	6	-11.8
-118	6	-9.4
-116	6	-7.5
-114	6	-5.9
-112	6	-4.5
-110	6	-3.4
-108	6	-2.4
-106	6	-1.6
-104	6	-0.9
-102	6	-0.4
-100	6	0.1
-98	6	0.5
-96	6	0.7
-94	6	0.9
-92	6	1
-90	6	1.1
-88	6	1
-86	6	0.9
-84	6	0.7
-82	6	0.3
-80	6	-0.1

-78	6	-0.6
-76	6	-1.2
-74	6	-1.9
-72	6	-2.8
-70	6	-3.8
-68	6	-5
-66	6	-6.5
-64	6	-8.3
-62	6	-10.6
-60	6	-13.6
-58	6	-17.4
-56	6	-20.1
-54	6	-17.5
-52	6	-13.9
-50	6	-11.1
-48	6	-9
-46	6	-7.4
-44	6	-6.1
-42	6	-5
-40	6	-4.1
-38	6	-3.4
-36	6	-2.7
-34	6	-2.2
-32	6	-1.7
-30	6	-1.3
-28	6	-1
-26	6	-0.7
-24	6	-0.4
-22	6	-0.2
-20	6	-0.1
-18	6	0.1
-16	6	0.2
-14	6	0.3
-12	6	0.4
-10	6	0.5
-8	6	0.5
-6	6	0.6
-4	6	0.6
-2	6	0.6
0	6	0.6
2	6	0.6
4	6	0.5
6	6	0.5
8	6	0.4
10	6	0.4
12	6	0.3
14	6	0.2
16	6	0.1
18	6	-0.1
20	6	-0.3
22	6	-0.5
24	6	-0.7
26	6	-1
28	6	-1.3
30	6	-1.6
32	6	-2.1
34	6	-2.5
36	6	-3.1
38	6	-3.8
40	6	-4.6
42	6	-5.5
44	6	-6.6
46	6	-8
48	6	-9.6
50	6	-11.6
52	6	-14
54	6	-16.1
56	6	-16.1
58	6	-13.9
60	6	-11.3
62	6	-9
64	6	-7.2
66	6	-5.6
68	6	-4.3
70	6	-3.2
72	6	-2.3
74	6	-1.5
76	6	-0.8
78	6	-0.3
80	6	0.2
82	6	0.6
84	6	0.8
86	6	1
88	6	1.1
90	6	1.2
92	6	1.1
94	6	1
96	6	0.7
98	6	0.4
100	6	-1.15E-14
102	6	-0.5
104	6	-1.1
106	6	-1.8
108	6	-2.6
110	6	-3.6
112	6	-4.8
114	6	-6.3
116	6	-8
118	6	-10.2
120	6	-13
122	6	-16.5
124	6	-19
126	6	-17.2
128	6	-13.9
130	6	-11.2
132	6	-9.2
134	6	-7.5
136	6	-6.2
138	6	-5.1
140	6	-4.2
142	6	-3.4
144	6	-2.8
146	6	-2.2
148	6	-1.8
150	6	-1.4
152	6	-1
154	6	-0.7
156	6	-0.5
158	6	-0.2

160	6	-0.1
162	6	0.1
164	6	0.2
166	6	0.3
168	6	0.4
170	6	0.5
172	6	0.6
174	6	0.6
176	6	0.6
178	6	0.6
180	6	0.6
-180	8	0.5
-178	8	0.5
-176	8	0.5
-174	8	0.5
-172	8	0.6
-170	8	0.6
-168	8	0.7
-166	8	0.7
-164	8	0.8
-162	8	0.9
-160	8	1
-158	8	1.1
-156	8	1.1
-154	8	1.2
-152	8	1.2
-150	8	1.2
-148	8	1.2
-146	8	1.2
-144	8	1.1
-142	8	0.9
-140	8	0.7
-138	8	0.4
-136	8	0.1
-134	8	-0.4
-132	8	-1
-130	8	-1.7
-128	8	-2.6
-126	8	-3.7
-124	8	-5.2
-122	8	-7
-120	8	-9.4
-118	8	-12.4
-116	8	-15.2
-114	8	-14.2
-112	8	-10.9
-110	8	-7.9
-108	8	-5.7
-106	8	-3.9
-104	8	-2.5
-102	8	-1.4
-100	8	-0.5
-98	8	0.2
-96	8	0.6
-94	8	1
-92	8	1.2
-90	8	1.2
-88	8	1.1
-86	8	0.9
-84	8	0.5
-82	8	-0.1
-80	8	-0.9
-78	8	-1.8
-76	8	-3.1
-74	8	-4.7
-72	8	-6.7
-70	8	-9.5
-68	8	-13.4
-66	8	-18.4
-64	8	-17.2
-62	8	-12.4
-60	8	-9
-58	8	-6.6
-56	8	-4.8
-54	8	-3.4
-52	8	-2.3
-50	8	-1.4
-48	8	-0.7
-46	8	-0.2
-44	8	0.3
-42	8	0.7
-40	8	0.9
-38	8	1.1
-36	8	1.3
-34	8	1.4
-32	8	1.4
-30	8	1.4
-28	8	1.4
-26	8	1.4
-24	8	1.3
-22	8	1.3
-20	8	1.2
-18	8	1.1
-16	8	1
-14	8	0.9
-12	8	0.8
-10	8	0.7
-8	8	0.6
-6	8	0.6
-4	8	0.5
-2	8	0.5
0	8	0.4
2	8	0.4
4	8	0.4
6	8	0.5
8	8	0.5
10	8	0.5
12	8	0.6
14	8	0.6
16	8	0.7
18	8	0.8
20	8	0.9
22	8	0.9
24	8	1
26	8	1
28	8	1.1
30	8	1.1
32	8	1
34	8	1

36	8	0.9
38	8	0.7
40	8	0.5
42	8	0.2
44	8	-0.2
46	8	-0.6
48	8	-1.2
50	8	-2
52	8	-2.9
54	8	-4
56	8	-5.5
58	8	-7.3
60	8	-9.7
62	8	-12.7
64	8	-15.1
66	8	-13.7
68	8	-10.5
70	8	-7.7
72	8	-5.5
74	8	-3.8
76	8	-2.4
78	8	-1.3
80	8	-0.5
82	8	0.2
84	8	0.7
86	8	1
88	8	1.2
90	8	1.2
92	8	1.1
94	8	0.9
96	8	0.5
98	8	-0.1
100	8	-0.9
102	8	-1.8
104	8	-3.1
106	8	-4.7
108	8	-6.7
110	8	-9.4
112	8	-13.2
114	8	-17.7
116	8	-16.7
118	8	-12.2
120	8	-8.9
122	8	-6.6
124	8	-4.8
126	8	-3.4
128	8	-2.3
130	8	-1.4
132	8	-0.7
134	8	-0.1
136	8	0.3
138	8	0.7
140	8	1
142	8	1.2
144	8	1.3
146	8	1.4
148	8	1.5
150	8	1.5
152	8	1.5
154	8	1.4
156	8	1.4
158	8	1.3
160	8	1.2
162	8	1.1
164	8	1
166	8	1
168	8	0.9
170	8	0.8
172	8	0.7
174	8	0.6
176	8	0.6
178	8	0.5
180	8	0.5
-180	10	-5.8
-178	10	-5.8
-176	10	-5.8
-174	10	-5.7
-172	10	-5.6
-170	10	-5.4
-168	10	-5.2
-166	10	-5
-164	10	-4.7
-162	10	-4.3
-160	10	-3.9
-158	10	-3.5
-156	10	-3
-154	10	-2.5
-152	10	-2
-150	10	-1.5
-148	10	-1
-146	10	-0.5
-144	10	-0.1
-142	10	0.3
-140	10	0.6
-138	10	0.9
-136	10	1.1
-134	10	1.1
-132	10	1.1
-130	10	1
-128	10	0.7
-126	10	0.3
-124	10	-0.4
-122	10	-1.2
-120	10	-2.4
-118	10	-3.9
-116	10	-6
-114	10	-8.9
-112	10	-12.5
-110	10	-14.2
-108	10	-10.9
-106	10	-7.3
-104	10	-4.7
-102	10	-2.8
-100	10	-1.3
-98	10	-0.2
-96	10	0.6
-94	10	1.1
-92	10	1.3
-90	10	1.4

-88	10	1.2
-86	10	0.8
-84	10	0.1
-82	10	-0.8
-80	10	-2.1
-78	10	-3.9
-76	10	-6.3
-74	10	-9.8
-72	10	-15.1
-70	10	-17.3
-68	10	-11.8
-66	10	-7.8
-64	10	-5.1
-62	10	-3.1
-60	10	-1.7
-58	10	-0.7
-56	10	0.1
-54	10	0.7
-52	10	1.1
-50	10	1.4
-48	10	1.5
-46	10	1.6
-44	10	1.5
-42	10	1.4
-40	10	1.1
-38	10	0.8
-36	10	0.5
-34	10	0.1
-32	10	-0.3
-30	10	-0.8
-28	10	-1.3
-26	10	-1.8
-24	10	-2.3
-22	10	-2.8
-20	10	-3.2
-18	10	-3.7
-16	10	-4
-14	10	-4.4
-12	10	-4.7
-10	10	-4.9
-8	10	-5.1
-6	10	-5.2
-4	10	-5.3
-2	10	-5.4
0	10	-5.4
2	10	-5.4
4	10	-5.3
6	10	-5.2
8	10	-5.1
10	10	-5
12	10	-4.8
14	10	-4.6
16	10	-4.4
18	10	-4.1
20	10	-3.7
22	10	-3.3
24	10	-2.9
26	10	-2.5
28	10	-2
30	10	-1.5
32	10	-1.1
34	10	-0.6
36	10	-0.2
38	10	0.2
40	10	0.5
42	10	0.7
44	10	0.9
46	10	1
48	10	0.9
50	10	0.8
52	10	0.5
54	10	0.1
56	10	-0.5
58	10	-1.4
60	10	-2.6
62	10	-4.1
64	10	-6.2
66	10	-9
68	10	-12.6
70	10	-14
72	10	-10.8
74	10	-7.3
76	10	-4.7
78	10	-2.8
80	10	-1.3
82	10	-0.3
84	10	0.5
86	10	1
88	10	1.3
90	10	1.3
92	10	1.1
94	10	0.7
96	10	0.1
98	10	-0.9
100	10	-2.2
102	10	-4
104	10	-6.4
106	10	-9.9
108	10	-14.9
110	10	-16.6
112	10	-11.5
114	10	-7.6
116	10	-5
118	10	-3.1
120	10	-1.7
122	10	-0.6
124	10	0.1
126	10	0.7
128	10	1.1
130	10	1.4
132	10	1.5
134	10	1.6
136	10	1.5
138	10	1.4
140	10	1.2
142	10	0.9
144	10	0.5
146	10	0.1
148	10	-0.3

150	10	-0.8
152	10	-1.3
154	10	-1.8
156	10	-2.3
158	10	-2.8
160	10	-3.3
162	10	-3.7
164	10	-4.2
166	10	-4.6
168	10	-4.9
170	10	-5.2
172	10	-5.4
174	10	-5.6
176	10	-5.7
178	10	-5.8
180	10	-5.8
-180	12	-2
-178	12	-2
-176	12	-2
-174	12	-2
-172	12	-2.1
-170	12	-2.2
-168	12	-2.3
-166	12	-2.5
-164	12	-2.8
-162	12	-3.1
-160	12	-3.5
-158	12	-4
-156	12	-4.5
-154	12	-5
-152	12	-5.6
-150	12	-6
-148	12	-6.2
-146	12	-6
-144	12	-5.4
-142	12	-4.6
-140	12	-3.6
-138	12	-2.6
-136	12	-1.6
-134	12	-0.8
-132	12	-2.80E-14
-130	12	0.5
-128	12	0.9
-126	12	1.1
-124	12	1.1
-122	12	0.9
-120	12	0.4
-118	12	-0.4
-116	12	-1.6
-114	12	-3.2
-112	12	-5.6
-110	12	-9.1
-108	12	-13.3
-106	12	-12.3
-104	12	-7.9
-102	12	-4.6
-100	12	-2.3
-98	12	-0.7
-96	12	0.4
-94	12	1.2
-92	12	1.5
-90	12	1.6
-88	12	1.3
-86	12	0.7
-84	12	-0.3
-82	12	-1.8
-80	12	-3.9
-78	12	-7
-76	12	-11.9
-74	12	-16.6
-72	12	-11.3
-70	12	-6.8
-68	12	-3.9
-66	12	-1.9
-64	12	-0.5
-62	12	0.5
-60	12	1.2
-58	12	1.6
-56	12	1.7
-54	12	1.7
-52	12	1.6
-50	12	1.2
-48	12	0.7
-46	12	0.1
-44	12	-0.7
-42	12	-1.5
-40	12	-2.5
-38	12	-3.5
-36	12	-4.5
-34	12	-5.4
-32	12	-6.1
-30	12	-6.4
-28	12	-6.4
-26	12	-6.2
-24	12	-5.7
-22	12	-5.2
-20	12	-4.7
-18	12	-4.2
-16	12	-3.8
-14	12	-3.4
-12	12	-3
-10	12	-2.8
-8	12	-2.5
-6	12	-2.3
-4	12	-2.2
-2	12	-2.1
0	12	-2
2	12	-2
4	12	-2
6	12	-2
8	12	-2.1
10	12	-2.2
12	12	-2.4
14	12	-2.5
16	12	-2.8
18	12	-3.1
20	12	-3.4
22	12	-3.8
24	12	-4.3

26	12	-4.7
28	12	-5.2
30	12	-5.6
32	12	-5.8
34	12	-5.7
36	12	-5.2
38	12	-4.5
40	12	-3.6
42	12	-2.6
44	12	-1.7
46	12	-0.9
48	12	-0.2
50	12	0.4
52	12	0.8
54	12	1
56	12	1
58	12	0.8
60	12	0.3
62	12	-0.5
64	12	-1.6
66	12	-3.3
68	12	-5.7
70	12	-9.1
72	12	-13.1
74	12	-12.1
76	12	-7.8
78	12	-4.6
80	12	-2.3
82	12	-0.7
84	12	0.4
86	12	1.1
88	12	1.5
90	12	1.5
92	12	1.2
94	12	0.6
96	12	-0.4
98	12	-1.9
100	12	-4
102	12	-7.1
104	12	-11.8
106	12	-15.9
108	12	-11
110	12	-6.7
112	12	-3.8
114	12	-1.9
116	12	-0.5
118	12	0.5
120	12	1.1
122	12	1.5
124	12	1.7
126	12	1.7
128	12	1.5
130	12	1.2
132	12	0.7
134	12	-3.55E-14
136	12	-0.7
138	12	-1.6
140	12	-2.5
142	12	-3.5
144	12	-4.5
146	12	-5.4
148	12	-6.1
150	12	-6.5
152	12	-6.6
154	12	-6.3
156	12	-5.9
158	12	-5.4
160	12	-4.9
162	12	-4.4
164	12	-3.9
166	12	-3.5
168	12	-3.2
170	12	-2.9
172	12	-2.6
174	12	-2.4
176	12	-2.2
178	12	-2.1
180	12	-2
-180	14	0.5
-178	14	0.5
-176	14	0.5
-174	14	0.5
-172	14	0.5
-170	14	0.5
-168	14	0.6
-166	14	0.6
-164	14	0.6
-162	14	0.6
-160	14	0.6
-158	14	0.5
-156	14	0.4
-154	14	0.2
-152	14	-0.1
-150	14	-0.5
-148	14	-1.1
-146	14	-1.8
-144	14	-2.7
-142	14	-3.7
-140	14	-4.9
-138	14	-5.9
-136	14	-6.2
-134	14	-5.6
-132	14	-4.3
-130	14	-2.8
-128	14	-1.5
-126	14	-0.4
-124	14	0.4
-122	14	0.9
-120	14	1.1
-118	14	1
-116	14	0.5
-114	14	-0.5
-112	14	-1.9
-110	14	-4.2
-108	14	-7.7
-106	14	-12.8
-104	14	-12.4
-102	14	-7.2
-100	14	-3.6

-98	14	-1.3
-96	14	0.2
-94	14	1.2
-92	14	1.7
-90	14	1.7
-88	14	1.3
-86	14	0.4
-84	14	-1
-82	14	-3.2
-80	14	-6.5
-78	14	-12
-76	14	-14.5
-74	14	-8.5
-72	14	-4.5
-70	14	-1.9
-68	14	-0.3
-66	14	0.9
-64	14	1.5
-62	14	1.9
-60	14	1.9
-58	14	1.6
-56	14	1.1
-54	14	0.4
-52	14	-0.6
-50	14	-1.8
-48	14	-3.3
-46	14	-4.7
-44	14	-6
-42	14	-6.6
-40	14	-6.3
-38	14	-5.5
-36	14	-4.5
-34	14	-3.4
-32	14	-2.6
-30	14	-1.9
-28	14	-1.3
-26	14	-0.8
-24	14	-0.4
-22	14	-0.2
-20	14	0.1
-18	14	0.2
-16	14	0.3
-14	14	0.4
-12	14	0.4
-10	14	0.4
-8	14	0.4
-6	14	0.4
-4	14	0.4
-2	14	0.4
0	14	0.4
2	14	0.4
4	14	0.3
6	14	0.3
8	14	0.3
10	14	0.3
12	14	0.3
14	14	0.4
16	14	0.4
18	14	0.4
20	14	0.3
22	14	0.3
24	14	0.2
26	14	0
28	14	-0.3
30	14	-0.7
32	14	-1.2
34	14	-1.9
36	14	-2.7
38	14	-3.8
40	14	-4.9
42	14	-5.9
44	14	-6.3
46	14	-5.7
48	14	-4.4
50	14	-2.9
52	14	-1.6
54	14	-0.5
56	14	0.3
58	14	0.8
60	14	1
62	14	0.9
64	14	0.4
66	14	-0.5
68	14	-2
70	14	-4.3
72	14	-7.8
74	14	-12.6
76	14	-11.9
78	14	-6.9
80	14	-3.5
82	14	-1.2
84	14	0.3
86	14	1.2
88	14	1.7
90	14	1.7
92	14	1.3
94	14	0.5
96	14	-0.9
98	14	-3.1
100	14	-6.4
102	14	-11.6
104	14	-14.1
106	14	-8.5
108	14	-4.5
110	14	-2
112	14	-0.3
114	14	0.8
116	14	1.5
118	14	1.8
120	14	1.8
122	14	1.5
124	14	1
126	14	0.3
128	14	-0.7
130	14	-2
132	14	-3.4
134	14	-4.8
136	14	-6
138	14	-6.5

140	14	-6.2
142	14	-5.3
144	14	-4.3
146	14	-3.3
148	14	-2.5
150	14	-1.8
152	14	-1.3
154	14	-0.8
156	14	-0.5
158	14	-0.2
160	14	4.44E-16
162	14	0.2
164	14	0.3
166	14	0.3
168	14	0.4
170	14	0.4
172	14	0.5
174	14	0.5
176	14	0.5
178	14	0.5
180	14	0.5
-180	16	-2.4
-178	16	-2.5
-176	16	-2.5
-174	16	-2.6
-172	16	-2.6
-170	16	-2.5
-168	16	-2.3
-166	16	-2.1
-164	16	-1.9
-162	16	-1.5
-160	16	-1.2
-158	16	-0.8
-156	16	-0.3
-154	16	1.24E-14
-152	16	0.4
-150	16	0.7
-148	16	0.8
-146	16	0.8
-144	16	0.7
-142	16	0.4
-140	16	-0.2
-138	16	-1
-136	16	-2.2
-134	16	-3.7
-132	16	-5.3
-130	16	-6.3
-128	16	-5.8
-126	16	-4.2
-124	16	-2.4
-122	16	-0.9
-120	16	0.2
-118	16	0.9
-116	16	1.1
-114	16	0.8
-112	16	0.1
-110	16	-1.4
-108	16	-3.7
-106	16	-7.7
-104	16	-13.6
-102	16	-11
-100	16	-5.5
-98	16	-2.2
-96	16	-0.1
-94	16	1.1
-92	16	1.7
-90	16	1.7
-88	16	1.2
-86	16	0.1
-84	16	-1.8
-82	16	-5
-80	16	-10.1
-78	16	-13.6
-76	16	-7.8
-74	16	-3.7
-72	16	-1.1
-70	16	0.5
-68	16	1.4
-66	16	1.9
-64	16	1.9
-62	16	1.5
-60	16	0.8
-58	16	-0.3
-56	16	-1.8
-54	16	-3.6
-52	16	-5.3
-50	16	-6.4
-48	16	-6
-46	16	-4.7
-44	16	-3.3
-42	16	-2
-40	16	-1.1
-38	16	-0.4
-36	16	0.1
-34	16	0.5
-32	16	0.7
-30	16	0.7
-28	16	0.7
-26	16	0.6
-24	16	0.4
-22	16	0.2
-20	16	8.44E-15
-18	16	-0.2
-16	16	-0.5
-14	16	-0.7
-12	16	-1
-10	16	-1.2
-8	16	-1.5
-6	16	-1.7
-4	16	-1.8
-2	16	-2
0	16	-2.1
2	16	-2.2
4	16	-2.3
6	16	-2.3
8	16	-2.3
10	16	-2.3
12	16	-2.2
14	16	-2.1

16	16	-1.9
18	16	-1.6
20	16	-1.3
22	16	-0.9
24	16	-0.5
26	16	-0.1
28	16	0.2
30	16	0.5
32	16	0.7
34	16	0.7
36	16	0.6
38	16	0.3
40	16	-0.3
42	16	-1.1
44	16	-2.3
46	16	-3.8
48	16	-5.4
50	16	-6.5
52	16	-6
54	16	-4.3
56	16	-2.4
58	16	-0.9
60	16	0.2
62	16	0.8
64	16	1
66	16	0.7
68	16	-0.1
70	16	-1.5
72	16	-3.9
74	16	-7.9
76	16	-13.4
78	16	-10.3
80	16	-5.2
82	16	-2
84	16	4.88E-15
86	16	1.2
88	16	1.8
90	16	1.8
92	16	1.3
94	16	0.2
96	16	-1.7
98	16	-4.8
100	16	-9.9
102	16	-13.6
104	16	-8
106	16	-3.8
108	16	-1.2
110	16	0.4
112	16	1.3
114	16	1.8
116	16	1.8
118	16	1.4
120	16	0.7
122	16	-0.4
124	16	-1.9
126	16	-3.7
128	16	-5.4
130	16	-6.4
132	16	-5.9
134	16	-4.5
136	16	-3.1
138	16	-1.9
140	16	-0.9
142	16	-0.2
144	16	0.2
146	16	0.5
148	16	0.7
150	16	0.7
152	16	0.7
154	16	0.6
156	16	0.4
158	16	0.2
160	16	7.11E-15
162	16	-0.3
164	16	-0.6
166	16	-0.8
168	16	-1.1
170	16	-1.4
172	16	-1.6
174	16	-1.8
176	16	-2
178	16	-2.2
180	16	-2.4
-180	18	-1.7
-178	18	-1.8
-176	18	-1.8
-174	18	-1.9
-172	18	-2.1
-170	18	-2.3
-168	18	-2.6
-166	18	-2.9
-164	18	-3.3
-162	18	-3.7
-160	18	-4.1
-158	18	-4.4
-156	18	-4.5
-154	18	-4.2
-152	18	-3.7
-150	18	-2.9
-148	18	-2
-146	18	-1.1
-144	18	-0.3
-142	18	0.2
-140	18	0.6
-138	18	0.7
-136	18	0.4
-134	18	-0.1
-132	18	-1.1
-130	18	-2.6
-128	18	-4.5
-126	18	-6.2
-124	18	-6.3
-122	18	-4.5
-120	18	-2.3
-118	18	-0.7
-116	18	0.5
-114	18	1
-112	18	0.9
-110	18	0.2

-108	18	-1.3
-106	18	-4
-104	18	-8.8
-102	18	-14.7
-100	18	-8.3
-98	18	-3.5
-96	18	-0.7
-94	18	0.9
-92	18	1.7
-90	18	1.7
-88	18	1.1
-86	18	-0.4
-84	18	-2.9
-82	18	-7.1
-80	18	-12.8
-78	18	-8.8
-76	18	-3.9
-74	18	-1.1
-72	18	0.7
-70	18	1.6
-68	18	1.9
-66	18	1.7
-64	18	0.9
-62	18	-0.3
-60	18	-2
-58	18	-4.1
-56	18	-5.7
-54	18	-5.6
-52	18	-4.1
-50	18	-2.3
-48	18	-1
-46	18	1.95E-14
-44	18	0.7
-42	18	1.1
-40	18	1.2
-38	18	1.1
-36	18	0.9
-34	18	0.6
-32	18	0.2
-30	18	-0.2
-28	18	-0.7
-26	18	-1.2
-24	18	-1.6
-22	18	-1.9
-20	18	-2.2
-18	18	-2.3
-16	18	-2.4
-14	18	-2.4
-12	18	-2.4
-10	18	-2.3
-8	18	-2.1
-6	18	-2
-4	18	-1.9
-2	18	-1.8
0	18	-1.7
2	18	-1.7
4	18	-1.7
6	18	-1.8
8	18	-1.9
10	18	-2.1
12	18	-2.3
14	18	-2.6
16	18	-3
18	18	-3.4
20	18	-3.8
22	18	-4.2
24	18	-4.3
26	18	-4.2
28	18	-3.7
30	18	-2.9
32	18	-2.1
34	18	-1.2
36	18	-0.4
38	18	0.2
40	18	0.6
42	18	0.6
44	18	0.4
46	18	-0.1
48	18	-1.1
50	18	-2.6
52	18	-4.4
54	18	-6.1
56	18	-6.2
58	18	-4.3
60	18	-2.3
62	18	-0.6
64	18	0.5
66	18	0.9
68	18	0.8
70	18	0.1
72	18	-1.5
74	18	-4.3
76	18	-9.2
78	18	-14
80	18	-7.7
82	18	-3.1
84	18	-0.5
86	18	1
88	18	1.8
90	18	1.8
92	18	1.1
94	18	-0.3
96	18	-2.9
98	18	-7.2
100	18	-13.2
102	18	-9
104	18	-4
106	18	-1.1
108	18	0.6
110	18	1.5
112	18	1.8
114	18	1.6
116	18	0.8
118	18	-0.4
120	18	-2.2
122	18	-4.3
124	18	-5.9
126	18	-5.8
128	18	-4.2

130	18	-2.4
132	18	-1
134	18	1.95E-14
136	18	0.7
138	18	1.1
140	18	1.2
142	18	1.2
144	18	0.9
146	18	0.6
148	18	0.2
150	18	-0.2
152	18	-0.7
154	18	-1.1
156	18	-1.5
158	18	-1.8
160	18	-2
162	18	-2.1
164	18	-2.2
166	18	-2.2
168	18	-2.1
170	18	-2
172	18	-1.9
174	18	-1.9
176	18	-1.8
178	18	-1.8
180	18	-1.7
-180	20	0.9
-178	20	1
-176	20	1
-174	20	1
-172	20	1
-170	20	1
-168	20	1
-166	20	0.9
-164	20	0.8
-162	20	0.6
-160	20	0.4
-158	20	-1.69E-14
-156	20	-0.5
-154	20	-1.1
-152	20	-1.9
-150	20	-2.8
-148	20	-3.7
-146	20	-4.3
-144	20	-4.2
-142	20	-3.4
-140	20	-2.3
-138	20	-1.2
-136	20	-0.4
-134	20	0.2
-132	20	0.3
-130	20	-0.1
-128	20	-1
-126	20	-2.6
-124	20	-4.8
-122	20	-6.9
-120	20	-6.5
-118	20	-3.9
-116	20	-1.5
-114	20	0.1
-112	20	0.9
-110	20	0.9
-108	20	0.1
-106	20	-1.7
-104	20	-5.1
-102	20	-11.7
-100	20	-12.3
-98	20	-5.1
-96	20	-1.4
-94	20	0.7
-92	20	1.6
-90	20	1.7
-88	20	0.9
-86	20	-0.8
-84	20	-4.1
-82	20	-9.8
-80	20	-11.5
-78	20	-5.3
-76	20	-1.7
-74	20	0.4
-72	20	1.5
-70	20	1.7
-68	20	1.4
-66	20	0.3
-64	20	-1.4
-62	20	-3.5
-60	20	-5.3
-58	20	-5.1
-56	20	-3.2
-54	20	-1.4
-52	20	-1.02E-14
-50	20	0.9
-48	20	1.4
-46	20	1.5
-44	20	1.4
-42	20	1
-40	20	0.5
-38	20	5.33E-15
-36	20	-0.6
-34	20	-1.1
-32	20	-1.4
-30	20	-1.6
-28	20	-1.6
-26	20	-1.4
-24	20	-1.2
-22	20	-0.9
-20	20	-0.6
-18	20	-0.3
-16	20	-6.66E-15
-14	20	0.2
-12	20	0.4
-10	20	0.5
-8	20	0.6
-6	20	0.7
-4	20	0.8
-2	20	0.8
0	20	0.8
2	20	0.8
4	20	0.9

6	20	0.9
8	20	0.9
10	20	0.9
12	20	0.9
14	20	0.9
16	20	0.8
18	20	0.7
20	20	0.5
22	20	0.1
24	20	-0.3
26	20	-1
28	20	-1.7
30	20	-2.7
32	20	-3.6
34	20	-4.1
36	20	-4.1
38	20	-3.3
40	20	-2.2
42	20	-1.1
44	20	-0.3
46	20	0.2
48	20	0.3
50	20	-0.1
52	20	-1
54	20	-2.5
56	20	-4.7
58	20	-6.5
60	20	-5.9
62	20	-3.5
64	20	-1.3
66	20	0.1
68	20	0.9
70	20	0.8
72	20	-2.22E-15
74	20	-1.9
76	20	-5.4
78	20	-12.2
80	20	-11.4
82	20	-4.8
84	20	-1.2
86	20	0.8
88	20	1.7
90	20	1.7
92	20	0.9
94	20	-0.9
96	20	-4.3
98	20	-10.3
100	20	-11.7
102	20	-5.3
104	20	-1.6
106	20	0.4
108	20	1.4
110	20	1.7
112	20	1.3
114	20	0.2
116	20	-1.5
118	20	-3.8
120	20	-5.7
122	20	-5.5
124	20	-3.5
126	20	-1.6
128	20	-0.2
130	20	0.8
132	20	1.2
134	20	1.4
136	20	1.3
138	20	0.9
140	20	0.4
142	20	-0.2
144	20	-0.9
146	20	-1.4
148	20	-1.8
150	20	-1.9
152	20	-1.8
154	20	-1.5
156	20	-1.2
158	20	-0.8
160	20	-0.4
162	20	-0.1
164	20	0.2
166	20	0.4
168	20	0.6
170	20	0.7
172	20	0.8
174	20	0.8
176	20	0.9
178	20	0.9
180	20	0.9
-180	22	-2.4
-178	22	-2.5
-176	22	-2.6
-174	22	-2.5
-172	22	-2.3
-170	22	-1.9
-168	22	-1.5
-166	22	-1.1
-164	22	-0.6
-162	22	-0.1
-160	22	0.3
-158	22	0.7
-156	22	1
-154	22	1.2
-152	22	1.2
-150	22	1.1
-148	22	0.7
-146	22	-1.82E-14
-144	22	-1
-142	22	-2.2
-140	22	-3.5
-138	22	-4
-136	22	-3.4
-134	22	-2.1
-132	22	-0.9
-130	22	2.22E-15
-128	22	0.3
-126	22	-0.1
-124	22	-1.3
-122	22	-3.4
-120	22	-6.6

-118	22	-8.2
-116	22	-5.1
-114	22	-2
-112	22	1.95E-14
-110	22	1
-108	22	1
-106	22	-2.49E-14
-104	22	-2.5
-102	22	-7.5
-100	22	-16.5
-98	22	-7.3
-96	22	-2.1
-94	22	0.5
-92	22	1.7
-90	22	1.8
-88	22	0.9
-86	22	-1.3
-84	22	-5.5
-82	22	-12.9
-80	22	-8.5
-78	22	-3
-76	22	-0.2
-74	22	1.2
-72	22	1.6
-70	22	1.2
-68	22	-0.1
-66	22	-2.1
-64	22	-4.6
-62	22	-5.7
-60	22	-4
-58	22	-1.7
-56	22	-0.1
-54	22	0.9
-52	22	1.4
-50	22	1.4
-48	22	1.1
-46	22	0.5
-44	22	-0.2
-42	22	-0.9
-40	22	-1.3
-38	22	-1.5
-36	22	-1.3
-34	22	-1
-32	22	-0.6
-30	22	-0.2
-28	22	0.2
-26	22	0.4
-24	22	0.6
-22	22	0.7
-20	22	0.7
-18	22	0.7
-16	22	0.5
-14	22	0.3
-12	22	2.22E-15
-10	22	-0.4
-8	22	-0.8
-6	22	-1.2
-4	22	-1.6
-2	22	-2
0	22	-2.3
2	22	-2.5
4	22	-2.5
6	22	-2.5
8	22	-2.3
10	22	-2
12	22	-1.5
14	22	-1.1
16	22	-0.6
18	22	6.66E-15
20	22	0.4
22	22	0.9
24	22	1.2
26	22	1.4
28	22	1.4
30	22	1.2
32	22	0.8
34	22	0.1
36	22	-0.9
38	22	-2.1
40	22	-3.3
42	22	-3.8
44	22	-3.2
46	22	-1.9
48	22	-0.8
50	22	-8.88E-16
52	22	0.2
54	22	-0.2
56	22	-1.4
58	22	-3.5
60	22	-6.4
62	22	-7.4
64	22	-4.7
66	22	-1.8
68	22	0.1
70	22	0.9
72	22	0.8
74	22	-0.3
76	22	-2.8
78	22	-8.1
80	22	-16.1
82	22	-6.8
84	22	-1.9
86	22	0.6
88	22	1.7
90	22	1.8
92	22	0.8
94	22	-1.5
96	22	-5.9
98	22	-13.6
100	22	-8.1
102	22	-2.8
104	22	6.22E-15
106	22	1.3
108	22	1.6
110	22	1.1
112	22	-0.2
114	22	-2.4
116	22	-5
118	22	-6

120	22	-4.1
122	22	-1.8
124	22	-0.1
126	22	0.9
128	22	1.4
130	22	1.4
132	22	1
134	22	0.4
136	22	-0.3
138	22	-1.1
140	22	-1.6
142	22	-1.8
144	22	-1.6
146	22	-1.3
148	22	-0.8
150	22	-0.3
152	22	0.1
154	22	0.4
156	22	0.6
158	22	0.8
160	22	0.8
162	22	0.7
164	22	0.6
166	22	0.3
168	22	-2.66E-15
170	22	-0.4
172	22	-0.8
174	22	-1.3
176	22	-1.7
178	22	-2.1
180	22	-2.4
-180	24	-0.8
-178	24	-0.9
-176	24	-1.1
-174	24	-1.4
-172	24	-1.8
-170	24	-2.2
-168	24	-2.6
-166	24	-3.1
-164	24	-3.5
-162	24	-3.8
-160	24	-3.8
-158	24	-3.4
-156	24	-2.6
-154	24	-1.6
-152	24	-0.5
-150	24	0.5
-148	24	1.2
-146	24	1.6
-144	24	1.6
-142	24	1.2
-140	24	0.3
-138	24	-1.1
-136	24	-2.8
-134	24	-4
-132	24	-3.4
-130	24	-1.6
-128	24	-0.1
-126	24	0.7
-124	24	0.7
-122	24	-0.3
-120	24	-2.5
-118	24	-6.4
-116	24	-9.7
-114	24	-5.3
-112	24	-1.5
-110	24	0.7
-108	24	1.5
-106	24	1.1
-104	24	-0.6
-102	24	-4.4
-100	24	-14
-98	24	-9.8
-96	24	-2.7
-94	24	0.5
-92	24	1.9
-90	24	2
-88	24	0.9
-86	24	-1.8
-84	24	-7.5
-82	24	-14.4
-80	24	-5.5
-78	24	-1.1
-76	24	1
-74	24	1.7
-72	24	1.4
-70	24	-2.66E-15
-68	24	-2.3
-66	24	-5.2
-64	24	-5.7
-62	24	-3.2
-60	24	-0.9
-58	24	0.6
-56	24	1.2
-54	24	1.3
-52	24	0.8
-50	24	-3.11E-15
-48	24	-1
-46	24	-1.7
-44	24	-1.9
-42	24	-1.6
-40	24	-1
-38	24	-0.4
-36	24	0.1
-34	24	0.5
-32	24	0.7
-30	24	0.8
-28	24	0.8
-26	24	0.8
-24	24	0.7
-22	24	0.6
-20	24	0.4
-18	24	0.2
-16	24	0
-14	24	-0.3
-12	24	-0.5
-10	24	-0.8
-8	24	-0.9
-6	24	-1

-4	24	-1
-2	24	-1
0	24	-1.1
2	24	-1.1
4	24	-1.3
6	24	-1.5
8	24	-1.7
10	24	-2.1
12	24	-2.5
14	24	-2.9
16	24	-3.3
18	24	-3.6
20	24	-3.6
22	24	-3.2
24	24	-2.4
26	24	-1.4
28	24	-0.3
30	24	0.6
32	24	1.2
34	24	1.6
36	24	1.6
38	24	1.1
40	24	0.2
42	24	-1.1
44	24	-2.8
46	24	-3.8
48	24	-3.2
50	24	-1.6
52	24	-0.2
54	24	0.5
56	24	0.5
58	24	-0.4
60	24	-2.6
62	24	-6.3
64	24	-8.9
66	24	-5.1
68	24	-1.5
70	24	0.5
72	24	1.3
74	24	0.9
76	24	-0.9
78	24	-4.9
80	24	-14.8
82	24	-9.2
84	24	-2.5
86	24	0.6
88	24	1.9
90	24	2
92	24	0.8
94	24	-2
96	24	-7.9
98	24	-14
100	24	-5.1
102	24	-0.9
104	24	1.1
106	24	1.8
108	24	1.4
110	24	-3.11E-15
112	24	-2.5
114	24	-5.6
116	24	-5.9
118	24	-3.1
120	24	-0.7
122	24	0.8
124	24	1.4
126	24	1.5
128	24	1
130	24	0.1
132	24	-0.9
134	24	-1.7
136	24	-1.9
138	24	-1.6
140	24	-1
142	24	-0.4
144	24	0.2
146	24	0.5
148	24	0.8
150	24	0.9
152	24	1
154	24	0.9
156	24	0.8
158	24	0.7
160	24	0.5
162	24	0.2
164	24	-0.1
166	24	-0.3
168	24	-0.5
170	24	-0.7
172	24	-0.7
174	24	-0.7
176	24	-0.7
178	24	-0.7
180	24	-0.8
-180	26	2.9
-178	26	3
-176	26	3
-174	26	2.9
-172	26	2.8
-170	26	2.6
-168	26	2.4
-166	26	2.2
-164	26	1.9
-162	26	1.4
-160	26	0.8
-158	26	-0.1
-156	26	-1.3
-154	26	-2.7
-152	26	-3.7
-150	26	-3.7
-148	26	-2.4
-146	26	-0.8
-144	26	0.5
-142	26	1.4
-140	26	1.6
-138	26	1.2
-136	26	0.1
-134	26	-1.7
-132	26	-3.6
-130	26	-3.7

-128	26	-1.8
-126	26	0.2
-124	26	1.3
-122	26	1.4
-120	26	0.4
-118	26	-2
-116	26	-6.7
-114	26	-9.4
-112	26	-3.8
-110	26	-0.1
-108	26	1.6
-106	26	1.9
-104	26	0.8
-102	26	-2.2
-100	26	-9.6
-98	26	-12.6
-96	26	-3.1
-94	26	0.7
-92	26	2.2
-90	26	2.3
-88	26	0.9
-86	26	-2.5
-84	26	-10.4
-82	26	-10.6
-80	26	-2.8
-78	26	0.6
-76	26	1.9
-74	26	2
-72	26	0.8
-70	26	-1.5
-68	26	-4.9
-66	26	-5.9
-64	26	-3
-62	26	-0.5
-60	26	0.9
-58	26	1.4
-56	26	1.1
-54	26	0.2
-52	26	-1
-50	26	-2
-48	26	-2.2
-46	26	-1.5
-44	26	-0.6
-42	26	0.2
-40	26	0.7
-38	26	0.9
-36	26	1
-34	26	0.9
-32	26	0.7
-30	26	0.6
-28	26	0.5
-26	26	0.4
-24	26	0.4
-22	26	0.4
-20	26	0.4
-18	26	0.5
-16	26	0.6
-14	26	0.9
-12	26	1.1
-10	26	1.5
-8	26	1.8
-6	26	2.1
-4	26	2.4
-2	26	2.6
0	26	2.7
2	26	2.8
4	26	2.8
6	26	2.8
8	26	2.8
10	26	2.6
12	26	2.5
14	26	2.3
16	26	1.9
18	26	1.5
20	26	0.8
22	26	-0.1
24	26	-1.3
26	26	-2.6
28	26	-3.5
30	26	-3.5
32	26	-2.3
34	26	-0.7
36	26	0.5
38	26	1.3
40	26	1.5
42	26	1.1
44	26	0.1
46	26	-1.7
48	26	-3.5
50	26	-3.7
52	26	-1.9
54	26	-0.1
56	26	1
58	26	1.2
60	26	0.2
62	26	-2.2
64	26	-6.7
66	26	-9
68	26	-3.8
70	26	-0.2
72	26	1.5
74	26	1.8
76	26	0.7
78	26	-2.4
80	26	-9.9
82	26	-11.9
84	26	-2.9
86	26	0.7
88	26	2.3
90	26	2.3
92	26	0.9
94	26	-2.6
96	26	-10.6
98	26	-10.4
100	26	-2.6
102	26	0.7
104	26	2
106	26	2
108	26	0.9

110	26	-1.6
112	26	-5.2
114	26	-6.1
116	26	-2.9
118	26	-0.3
120	26	1.1
122	26	1.6
124	26	1.3
126	26	0.4
128	26	-0.9
130	26	-2.1
132	26	-2.4
134	26	-1.7
136	26	-0.7
138	26	0.2
140	26	0.7
142	26	1
144	26	1
146	26	0.9
148	26	0.7
150	26	0.6
152	26	0.5
154	26	0.4
156	26	0.3
158	26	0.3
160	26	0.4
162	26	0.5
164	26	0.7
166	26	0.9
168	26	1.2
170	26	1.6
172	26	2
174	26	2.3
176	26	2.6
178	26	2.8
180	26	2.9
-180	28	-1.1
-178	28	-1.2
-176	28	-1.1
-174	28	-0.9
-172	28	-0.6
-170	28	-0.2
-168	28	0.4
-166	28	1
-164	28	1.6
-162	28	2.2
-160	28	2.5
-158	28	2.7
-156	28	2.5
-154	28	2
-152	28	1.1
-150	28	-0.2
-148	28	-1.7
-146	28	-2.7
-144	28	-2.3
-142	28	-0.8
-140	28	0.5
-138	28	1.3
-136	28	1.4
-134	28	0.7
-132	28	-0.9
-130	28	-3
-128	28	-3.7
-126	28	-1.7
-124	28	0.4
-122	28	1.7
-120	28	1.8
-118	28	0.6
-116	28	-2.2
-114	28	-7.2
-112	28	-6.6
-110	28	-1.6
-108	28	1.3
-106	28	2.3
-104	28	1.8
-102	28	-0.6
-100	28	-6.4
-98	28	-15.2
-96	28	-3.7
-94	28	0.7
-92	28	2.4
-90	28	2.4
-88	28	0.7
-86	28	-3.6
-84	28	-14.5
-82	28	-6.5
-80	28	-0.7
-78	28	1.8
-76	28	2.5
-74	28	1.8
-72	28	-0.2
-70	28	-3.7
-68	28	-6
-66	28	-3.2
-64	28	-0.4
-62	28	1.1
-60	28	1.6
-58	28	1.1
-56	28	1.78E-15
-54	28	-1.4
-52	28	-2.2
-50	28	-1.7
-48	28	-0.6
-46	28	0.4
-44	28	1
-42	28	1.2
-40	28	1.2
-38	28	0.9
-36	28	0.6
-34	28	0.3
-32	28	0.2
-30	28	0.2
-28	28	0.2
-26	28	0.2
-24	28	0.2
-22	28	0.1
-20	28	2.22E-15
-18	28	-0.1
-16	28	-0.2

-14	28	-0.3
-12	28	-0.4
-10	28	-0.5
-8	28	-0.7
-6	28	-0.8
-4	28	-1
-2	28	-1.1
0	28	-1.2
2	28	-1.2
4	28	-1.2
6	28	-1
8	28	-0.6
10	28	-0.1
12	28	0.5
14	28	1.1
16	28	1.8
18	28	2.3
20	28	2.6
22	28	2.8
24	28	2.6
26	28	2.1
28	28	1.2
30	28	-0.1
32	28	-1.5
34	28	-2.3
36	28	-1.8
38	28	-0.5
40	28	0.8
42	28	1.5
44	28	1.5
46	28	0.7
48	28	-0.8
50	28	-2.9
52	28	-3.7
54	28	-1.9
56	28	0.2
58	28	1.4
60	28	1.5
62	28	0.4
64	28	-2.5
66	28	-7.4
68	28	-6.7
70	28	-1.7
72	28	1.1
74	28	2.2
76	28	1.6
78	28	-0.7
80	28	-6.4
82	28	-14.2
84	28	-3.6
86	28	0.7
88	28	2.4
90	28	2.4
92	28	0.7
94	28	-3.6
96	28	-14.9
98	28	-6.6
100	28	-0.7
102	28	1.8
104	28	2.5
106	28	1.8
108	28	-0.3
110	28	-3.9
112	28	-6.4
114	28	-3.4
116	28	-0.4
118	28	1.1
120	28	1.6
122	28	1.1
124	28	-0.1
126	28	-1.7
128	28	-2.7
130	28	-2.2
132	28	-0.9
134	28	0.3
136	28	1
138	28	1.2
140	28	1.1
142	28	0.8
144	28	0.5
146	28	0.2
148	28	4.44E-16
150	28	0.1
152	28	0.2
154	28	0.2
156	28	0.3
158	28	0.2
160	28	0.1
162	28	2.22E-15
164	28	-0.1
166	28	-0.2
168	28	-0.3
170	28	-0.5
172	28	-0.6
174	28	-0.7
176	28	-0.9
178	28	-1
180	28	-1.1
-180	30	0.3
-178	30	0.1
-176	30	-0.3
-174	30	-1
-172	30	-1.9
-170	30	-3
-168	30	-4.4
-166	30	-5.5
-164	30	-5.5
-162	30	-4.1
-160	30	-2.2
-158	30	-0.5
-156	30	0.9
-154	30	1.8
-152	30	2.3
-150	30	2.3
-148	30	1.7
-146	30	0.7
-144	30	-0.7
-142	30	-1.7
-140	30	-1.3

-138	30	5.33E-15
-136	30	1.1
-134	30	1.6
-132	30	1.3
-130	30	-1.15E-14
-128	30	-2.3
-126	30	-3.7
-124	30	-2.1
-122	30	0.3
-120	30	1.7
-118	30	1.8
-116	30	0.4
-114	30	-2.8
-112	30	-7
-110	30	-3.9
-108	30	0.1
-106	30	2
-104	30	2.2
-102	30	0.5
-100	30	-4.1
-98	30	-14.7
-96	30	-4.6
-94	30	0.4
-92	30	2.2
-90	30	2.2
-88	30	0.1
-86	30	-5.3
-84	30	-15.1
-82	30	-3.7
-80	30	0.7
-78	30	2.4
-76	30	2.4
-74	30	0.8
-72	30	-2.4
-70	30	-5.8
-68	30	-3.7
-66	30	-0.4
-64	30	1.3
-62	30	1.8
-60	30	1.2
-58	30	-0.1
-56	30	-1.4
-54	30	-1.8
-52	30	-0.9
-50	30	0.3
-48	30	1.1
-46	30	1.4
-44	30	1.3
-42	30	1
-40	30	0.5
-38	30	0.1
-36	30	-0.2
-34	30	-0.2
-32	30	-0.2
-30	30	-0.1
-28	30	-0.1
-26	30	-0.2
-24	30	-0.3
-22	30	-0.5
-20	30	-0.7
-18	30	-0.8
-16	30	-0.9
-14	30	-1
-12	30	-0.9
-10	30	-0.7
-8	30	-0.5
-6	30	-0.2
-4	30	-1.60E-14
-2	30	0.1
0	30	-1.73E-14
2	30	-0.1
4	30	-0.5
6	30	-1.1
8	30	-2
10	30	-3.2
12	30	-4.5
14	30	-5.4
16	30	-5.2
18	30	-3.7
20	30	-1.9
22	30	-0.3
24	30	1
26	30	1.8
28	30	2.2
30	30	2.1
32	30	1.6
34	30	0.6
36	30	-0.6
38	30	-1.4
40	30	-1
42	30	0.2
44	30	1.2
46	30	1.6
48	30	1.2
50	30	-0.1
52	30	-2.2
54	30	-3.6
56	30	-2.1
58	30	0.1
60	30	1.5
62	30	1.5
64	30	0.2
66	30	-3.1
68	30	-7.3
70	30	-4.1
72	30	-0.1
74	30	1.9
76	30	2.1
78	30	0.4
80	30	-4.1
82	30	-14.2
84	30	-4.8
86	30	0.2
88	30	2.1
90	30	2.1
92	30	8.88E-16
94	30	-5.4
96	30	-16
98	30	-3.9

100	30	0.6
102	30	2.3
104	30	2.3
106	30	0.7
108	30	-2.6
110	30	-6.1
112	30	-3.8
114	30	-0.5
116	30	1.2
118	30	1.7
120	30	1.1
122	30	-0.2
124	30	-1.6
126	30	-2
128	30	-1.1
130	30	0.2
132	30	1.1
134	30	1.5
136	30	1.4
138	30	1
140	30	0.5
142	30	2.22E-15
144	30	-0.3
146	30	-0.3
148	30	-0.2
150	30	-0.1
152	30	-2.22E-15
154	30	-0.1
156	30	-0.2
158	30	-0.5
160	30	-0.7
162	30	-0.9
164	30	-1
166	30	-0.9
168	30	-0.8
170	30	-0.5
172	30	-0.3
174	30	-1.51E-14
176	30	0.2
178	30	0.3
180	30	0.3
-180	32	4.8
-178	32	5
-176	32	5
-174	32	4.9
-172	32	4.6
-170	32	4.3
-168	32	3.7
-166	32	3
-164	32	2
-162	32	0.6
-160	32	-1.2
-158	32	-3.3
-156	32	-4.6
-154	32	-3.5
-152	32	-1.3
-150	32	0.6
-148	32	1.7
-146	32	2.1
-144	32	1.8
-142	32	0.7
-140	32	-0.7
-138	32	-1.3
-136	32	-0.3
-134	32	1.2
-132	32	2.2
-130	32	2.2
-128	32	1
-126	32	-1.3
-124	32	-3.7
-122	32	-2.4
-120	32	0.3
-118	32	1.8
-116	32	1.7
-114	32	-0.1
-112	32	-4.1
-110	32	-6.9
-108	32	-2.1
-106	32	1.1
-104	32	2
-102	32	1
-100	32	-2.7
-98	32	-12.7
-96	32	-6
-94	32	-0.2
-92	32	1.9
-90	32	1.7
-88	32	-0.8
-86	32	-7.9
-84	32	-10.7
-82	32	-1.8
-80	32	1.5
-78	32	2.4
-76	32	1.5
-74	32	-1.3
-72	32	-5.5
-70	32	-4.3
-68	32	-0.6
-66	32	1.4
-64	32	2
-62	32	1.4
-60	32	-2.09E-14
-58	32	-1.3
-56	32	-1.2
-54	32	4.44E-16
-52	32	1.1
-50	32	1.7
-48	32	1.7
-46	32	1.3
-44	32	0.8
-42	32	0.4
-40	32	0.2
-38	32	0.2
-36	32	0.3
-34	32	0.3
-32	32	0.2
-30	32	0.2
-28	32	0.2
-26	32	0.2

-24	32	0.3
-22	32	0.4
-20	32	0.6
-18	32	0.8
-16	32	1.1
-14	32	1.6
-12	32	2.1
-10	32	2.7
-8	32	3.2
-6	32	3.7
-4	32	4.2
-2	32	4.5
0	32	4.7
2	32	4.9
4	32	4.9
6	32	4.8
8	32	4.5
10	32	4.2
12	32	3.6
14	32	2.9
16	32	1.8
18	32	0.4
20	32	-1.4
22	32	-3.4
24	32	-4.6
26	32	-3.6
28	32	-1.6
30	32	0.2
32	32	1.4
34	32	1.8
36	32	1.6
38	32	0.7
40	32	-0.5
42	32	-1.1
44	32	-0.4
46	32	1
48	32	1.9
50	32	1.9
52	32	0.8
54	32	-1.4
56	32	-3.6
58	32	-2.4
60	32	0.1
62	32	1.6
64	32	1.5
66	32	-0.2
68	32	-4.2
70	32	-6.8
72	32	-2.1
74	32	1
76	32	2
78	32	1
80	32	-2.6
82	32	-12.3
84	32	-6.2
86	32	-0.3
88	32	1.8
90	32	1.6
92	32	-1
94	32	-8
96	32	-10.9
98	32	-1.9
100	32	1.4
102	32	2.2
104	32	1.3
106	32	-1.6
108	32	-5.8
110	32	-4.4
112	32	-0.6
114	32	1.4
116	32	1.9
118	32	1.3
120	32	-0.1
122	32	-1.5
124	32	-1.3
126	32	-0.1
128	32	1.1
130	32	1.7
132	32	1.8
134	32	1.4
136	32	0.9
138	32	0.4
140	32	0.1
142	32	0.1
144	32	0.2
146	32	0.3
148	32	0.3
150	32	0.3
152	32	0.3
154	32	0.3
156	32	0.3
158	32	0.4
160	32	0.6
162	32	0.8
164	32	1.2
166	32	1.6
168	32	2.1
170	32	2.7
172	32	3.2
174	32	3.7
176	32	4.2
178	32	4.6
180	32	4.8
-180	34	0.9
-178	34	1.1
-176	34	1.5
-174	34	1.9
-172	34	2.5
-170	34	3
-168	34	3.6
-166	34	4.1
-164	34	4.4
-162	34	4.5
-160	34	4.2
-158	34	3.4
-156	34	2.1
-154	34	0.2
-152	34	-1.8
-150	34	-2.2

-148	34	-0.6
-146	34	1.1
-144	34	2.2
-142	34	2.3
-140	34	1.5
-138	34	-0.1
-136	34	-1.3
-134	34	-0.6
-132	34	1.1
-130	34	2.3
-128	34	2.4
-126	34	1.2
-124	34	-1.5
-122	34	-3.9
-120	34	-1.8
-118	34	0.9
-116	34	2
-114	34	1.3
-112	34	-1.6
-110	34	-7.5
-108	34	-5
-106	34	-0.1
-104	34	1.8
-102	34	1.4
-100	34	-1.7
-98	34	-11.2
-96	34	-7.2
-94	34	-0.4
-92	34	1.8
-90	34	1.5
-88	34	-1.6
-86	34	-10.5
-84	34	-7.4
-82	34	-0.5
-80	34	1.9
-78	34	2
-76	34	-0.1
-74	34	-4.6
-72	34	-6.3
-70	34	-1.4
-68	34	1.3
-66	34	2.2
-64	34	1.5
-62	34	-0.3
-60	34	-2.1
-58	34	-1.7
-56	34	8.88E-16
-54	34	1.4
-52	34	1.8
-50	34	1.5
-48	34	0.9
-46	34	0.2
-44	34	0.1
-42	34	0.4
-40	34	0.7
-38	34	0.9
-36	34	0.8
-34	34	0.6
-32	34	0.5
-30	34	0.7
-28	34	1
-26	34	1.3
-24	34	1.6
-22	34	1.7
-20	34	1.8
-18	34	1.7
-16	34	1.6
-14	34	1.5
-12	34	1.3
-10	34	1.2
-8	34	1
-6	34	0.9
-4	34	0.8
-2	34	0.8
0	34	0.9
2	34	1.1
4	34	1.5
6	34	1.9
8	34	2.5
10	34	3
12	34	3.6
14	34	4
16	34	4.3
18	34	4.4
20	34	4.1
22	34	3.4
24	34	2.1
26	34	0.3
28	34	-1.7
30	34	-2.3
32	34	-0.9
34	34	0.9
36	34	2
38	34	2.2
40	34	1.6
42	34	0.3
44	34	-1
46	34	-0.6
48	34	1
50	34	2.1
52	34	2.3
54	34	1.1
56	34	-1.5
58	34	-3.8
60	34	-1.9
62	34	0.8
64	34	1.9
66	34	1.2
68	34	-1.8
70	34	-7.3
72	34	-4.6
74	34	0.1
76	34	1.9
78	34	1.5
80	34	-1.6
82	34	-11
84	34	-7.1
86	34	-0.4
88	34	1.8

90	34	1.5
92	34	-1.6
94	34	-10.8
96	34	-7.3
98	34	-0.4
100	34	2
102	34	2
104	34	-0.1
106	34	-4.8
108	34	-6.3
110	34	-1.4
112	34	1.4
114	34	2.2
116	34	1.5
118	34	-0.4
120	34	-2.2
122	34	-1.8
124	34	0.1
126	34	1.4
128	34	1.8
130	34	1.6
132	34	0.8
134	34	0.1
136	34	-0.1
138	34	0.1
140	34	0.5
142	34	0.7
144	34	0.8
146	34	0.7
148	34	0.7
150	34	0.8
152	34	1.1
154	34	1.5
156	34	1.8
158	34	1.9
160	34	2
162	34	1.9
164	34	1.7
166	34	1.5
168	34	1.3
170	34	1.1
172	34	0.9
174	34	0.7
176	34	0.7
178	34	0.7
180	34	0.9
-180	36	-0.7
-178	36	-1.2
-176	36	-1.9
-174	36	-3.1
-172	36	-4.5
-170	36	-5.7
-168	36	-5.1
-166	36	-2.8
-164	36	-0.3
-162	36	1.7
-160	36	3
-158	36	3.8
-156	36	3.9
-154	36	3.3
-152	36	2.1
-150	36	0.3
-148	36	-1.4
-146	36	-1.3
-144	36	0.2
-142	36	1.5
-140	36	2
-138	36	1.4
-136	36	-0.1
-134	36	-1.7
-132	36	-1.4
-130	36	0.4
-128	36	1.7
-126	36	1.7
-124	36	0.1
-122	36	-3
-120	36	-4
-118	36	-0.8
-116	36	1.4
-114	36	1.7
-112	36	-0.3
-110	36	-5.9
-108	36	-7.8
-106	36	-1
-104	36	1.8
-102	36	1.9
-100	36	-0.9
-98	36	-9.9
-96	36	-7.8
-94	36	-0.2
-92	36	2.2
-90	36	1.7
-88	36	-1.8
-86	36	-12.8
-84	36	-5
-82	36	0.7
-80	36	2.4
-78	36	1.7
-76	36	-1.6
-74	36	-7.7
-72	36	-3.9
-70	36	0.6
-68	36	2.2
-66	36	2
-64	36	0.1
-62	36	-2.7
-60	36	-2.9
-58	36	-0.4
-56	36	1.4
-54	36	2
-52	36	1.7
-50	36	0.7
-48	36	-0.1
-46	36	-0.1
-44	36	0.5
-42	36	1
-40	36	1.3
-38	36	1.1
-36	36	0.8

-34	36	0.6
-32	36	0.8
-30	36	1.1
-28	36	1.5
-26	36	1.8
-24	36	1.8
-22	36	1.6
-20	36	1.2
-18	36	0.7
-16	36	0.2
-14	36	-0.2
-12	36	-0.4
-10	36	-0.5
-8	36	-0.5
-6	36	-0.5
-4	36	-0.5
-2	36	-0.6
0	36	-0.9
2	36	-1.3
4	36	-2.1
6	36	-3.2
8	36	-4.6
10	36	-5.6
12	36	-4.9
14	36	-2.7
16	36	-0.3
18	36	1.7
20	36	3
22	36	3.7
24	36	3.9
26	36	3.4
28	36	2.2
30	36	0.4
32	36	-1.3
34	36	-1.4
36	36	8.88E-16
38	36	1.3
40	36	1.8
42	36	1.4
44	36	4.44E-15
46	36	-1.5
48	36	-1.3
50	36	0.4
52	36	1.7
54	36	1.6
56	36	0.1
58	36	-3
60	36	-3.9
62	36	-0.8
64	36	1.4
66	36	1.6
68	36	-0.4
70	36	-6
72	36	-7.2
74	36	-0.7
76	36	2
78	36	2
80	36	-0.7
82	36	-9.7
84	36	-7.5
86	36	1.69E-14
88	36	2.3
90	36	1.8
92	36	-1.8
94	36	-12.9
96	36	-4.8
98	36	0.8
100	36	2.5
102	36	1.8
104	36	-1.6
106	36	-7.7
108	36	-3.8
110	36	0.7
112	36	2.3
114	36	2
116	36	0.1
118	36	-2.7
120	36	-2.8
122	36	-0.3
124	36	1.5
126	36	2
128	36	1.6
130	36	0.6
132	36	-0.3
134	36	-0.4
136	36	0.3
138	36	0.9
140	36	1.2
142	36	1.1
144	36	0.9
146	36	0.8
148	36	0.9
150	36	1.3
152	36	1.7
154	36	2
156	36	2
158	36	1.9
160	36	1.5
162	36	1
164	36	0.4
166	36	-4.44E-16
168	36	-0.2
170	36	-0.3
172	36	-0.3
174	36	-0.3
176	36	-0.3
178	36	-0.4
180	36	-0.7
-180	38	6.2
-178	38	6.3
-176	38	6.2
-174	38	6
-172	38	5.4
-170	38	4.6
-168	38	3.4
-166	38	1.8
-164	38	-0.3
-162	38	-2.2
-160	38	-2.4

-158	38	-0.7
-156	38	1.1
-154	38	2.4
-152	38	2.9
-150	38	2.6
-148	38	1.5
-146	38	-0.2
-144	38	-1.5
-142	38	-1
-140	38	0.6
-138	38	1.6
-136	38	1.5
-134	38	0.3
-132	38	-1.4
-130	38	-1.5
-128	38	0.1
-126	38	1.3
-124	38	1
-122	38	-1.1
-120	38	-4.2
-118	38	-2.9
-116	38	0.3
-114	38	1.7
-112	38	0.7
-110	38	-3.5
-108	38	-9.7
-106	38	-2.1
-104	38	1.7
-102	38	2.3
-100	38	0.1
-98	38	-7.8
-96	38	-8.9
-94	38	-0.2
-92	38	2.3
-90	38	1.8
-88	38	-2.2
-86	38	-13.7
-84	38	-3.2
-82	38	1.5
-80	38	2.7
-78	38	1.2
-76	38	-3.3
-74	38	-7.4
-72	38	-1.4
-70	38	1.7
-68	38	2.3
-66	38	1
-64	38	-1.9
-62	38	-3.4
-60	38	-0.9
-58	38	1.4
-56	38	2.3
-54	38	2.1
-52	38	1.2
-50	38	0.2
-48	38	-5.77E-15
-46	38	0.6
-44	38	1.2
-42	38	1.5
-40	38	1.5
-38	38	1.3
-36	38	1.2
-34	38	1.2
-32	38	1.4
-30	38	1.6
-28	38	1.7
-26	38	1.6
-24	38	1.4
-22	38	1
-20	38	0.9
-18	38	0.9
-16	38	1.3
-14	38	2
-12	38	2.8
-10	38	3.6
-8	38	4.3
-6	38	4.9
-4	38	5.5
-2	38	5.9
0	38	6.2
2	38	6.3
4	38	6.2
6	38	6
8	38	5.5
10	38	4.7
12	38	3.6
14	38	2
16	38	-0.1
18	38	-2
20	38	-2.3
22	38	-0.7
24	38	1.1
26	38	2.4
28	38	2.9
30	38	2.6
32	38	1.5
34	38	-0.2
36	38	-1.6
38	38	-1.1
40	38	0.4
42	38	1.4
44	38	1.3
46	38	0.2
48	38	-1.4
50	38	-1.5
52	38	0.1
54	38	1.2
56	38	0.9
58	38	-1.2
60	38	-4.2
62	38	-2.8
64	38	0.4
66	38	1.7
68	38	0.6
70	38	-3.6
72	38	-9.3
74	38	-1.9
76	38	1.8
78	38	2.4

80	38	0.1
82	38	-7.7
84	38	-8.6
86	38	-0.1
88	38	2.4
90	38	1.9
92	38	-2.1
94	38	-13.5
96	38	-3.1
98	38	1.6
100	38	2.7
102	38	1.2
104	38	-3.4
106	38	-7.3
108	38	-1.3
110	38	1.8
112	38	2.3
114	38	1
116	38	-1.9
118	38	-3.4
120	38	-0.8
122	38	1.4
124	38	2.2
126	38	2
128	38	0.9
130	38	-3.55E-15
132	38	-0.2
134	38	0.5
136	38	1.2
138	38	1.5
140	38	1.4
142	38	1.2
144	38	1.1
146	38	1.2
148	38	1.4
150	38	1.6
152	38	1.7
154	38	1.7
156	38	1.4
158	38	1.2
160	38	1
162	38	1.1
164	38	1.6
166	38	2.2
168	38	3
170	38	3.7
172	38	4.4
174	38	5
176	38	5.5
178	38	5.9
180	38	6.2
-180	40	4.2
-178	40	4.5
-176	40	4.9
-174	40	5.2
-172	40	5.5
-170	40	5.7
-168	40	5.7
-166	40	5.5
-164	40	4.9
-162	40	3.9
-160	40	2.2
-158	40	0.1
-156	40	-1.5
-154	40	-0.9
-152	40	1
-150	40	2.5
-148	40	2.9
-146	40	2.4
-144	40	0.9
-142	40	-1
-140	40	-1.3
-138	40	0.3
-136	40	1.5
-134	40	1.6
-132	40	0.4
-130	40	-1.4
-128	40	-1.4
-126	40	0.4
-124	40	1.4
-122	40	0.6
-120	40	-2.4
-118	40	-4.9
-116	40	-1.4
-114	40	1.3
-112	40	1.6
-110	40	-1.1
-108	40	-8.1
-106	40	-4.2
-104	40	1
-102	40	2.5
-100	40	0.9
-98	40	-5.6
-96	40	-11.4
-94	40	-0.7
-92	40	2.1
-90	40	1.5
-88	40	-2.9
-86	40	-12.2
-84	40	-2
-82	40	1.9
-80	40	2.3
-78	40	-7.11E-15
-76	40	-5.3
-74	40	-3.9
-72	40	0.6
-70	40	2.3
-68	40	1.7
-66	40	-0.7
-64	40	-2.7
-62	40	-0.8
-60	40	1.6
-58	40	2.6
-56	40	2.3
-54	40	1.3
-52	40	0.2
-50	40	0.1
-48	40	0.7
-46	40	1.1

-44	40	1.2
-42	40	1.1
-40	40	0.9
-38	40	1
-36	40	1.2
-34	40	1.3
-32	40	1.3
-30	40	1.2
-28	40	1.2
-26	40	1.3
-24	40	1.6
-22	40	2.1
-20	40	2.7
-18	40	3.2
-16	40	3.6
-14	40	3.9
-12	40	4.1
-10	40	4.2
-8	40	4.1
-6	40	4
-4	40	4
-2	40	4.1
0	40	4.3
2	40	4.5
4	40	4.9
6	40	5.3
8	40	5.6
10	40	5.8
12	40	5.9
14	40	5.7
16	40	5
18	40	3.9
20	40	2.2
22	40	1.11E-14
24	40	-1.7
26	40	-0.9
28	40	0.9
30	40	2.3
32	40	2.8
34	40	2.2
36	40	0.7
38	40	-1.3
40	40	-1.6
42	40	-7.99E-15
44	40	1.3
46	40	1.5
48	40	0.3
50	40	-1.3
52	40	-1.3
54	40	0.4
56	40	1.3
58	40	0.5
60	40	-2.4
62	40	-4.8
64	40	-1.4
66	40	1.3
68	40	1.5
70	40	-1.1
72	40	-7.7
74	40	-4
76	40	1
78	40	2.4
80	40	0.7
82	40	-5.9
84	40	-10.5
86	40	-0.5
88	40	2.2
90	40	1.6
92	40	-2.9
94	40	-12.4
96	40	-1.9
98	40	1.9
100	40	2.3
102	40	-0.1
104	40	-5.6
106	40	-4
108	40	0.7
110	40	2.3
112	40	1.7
114	40	-0.8
116	40	-2.8
118	40	-0.8
120	40	1.6
122	40	2.5
124	40	2.2
126	40	1.1
128	40	0.2
130	40	0.1
132	40	0.7
134	40	1.1
136	40	1.2
138	40	1
140	40	0.9
142	40	0.9
144	40	1.1
146	40	1.2
148	40	1.1
150	40	1
152	40	0.9
154	40	1
156	40	1.4
158	40	2
160	40	2.7
162	40	3.3
164	40	3.7
166	40	4
168	40	4.2
170	40	4.2
172	40	4.1
174	40	4
176	40	4
178	40	4.1
180	40	4.2
-180	42	-1.6
-178	42	-2.5
-176	42	-3.1
-174	42	-2.9
-172	42	-1.6
-170	42	0.3

-168	42	2.1
-166	42	3.6
-164	42	4.6
-162	42	5.1
-160	42	4.9
-158	42	3.9
-156	42	2.1
-154	42	-0.4
-152	42	-2
-150	42	-0.7
-148	42	1.3
-146	42	2.3
-144	42	2.1
-142	42	0.7
-140	42	-1.2
-138	42	-1.4
-136	42	0.4
-134	42	1.6
-132	42	1.5
-130	42	-0.2
-128	42	-2.1
-126	42	-1
-124	42	1
-122	42	1.5
-120	42	-0.3
-118	42	-4.9
-116	42	-4.5
-114	42	0.2
-112	42	1.8
-110	42	0.4
-108	42	-5.4
-106	42	-8
-104	42	-0.2
-102	42	2.3
-100	42	1.3
-98	42	-4.4
-96	42	-14.4
-94	42	-1
-92	42	2
-90	42	1.4
-88	42	-3.5
-86	42	-10.3
-84	42	-1.1
-82	42	2
-80	42	1.8
-78	42	-1.6
-76	42	-5.7
-74	42	-1.1
-72	42	2
-70	42	2.4
-68	42	0.7
-66	42	-2
-64	42	-0.9
-62	42	1.8
-60	42	3
-58	42	2.8
-56	42	1.5
-54	42	0.3
-52	42	0.5
-50	42	1.5
-48	42	2
-46	42	1.9
-44	42	1.4
-42	42	1
-40	42	1.1
-38	42	1.5
-36	42	1.7
-34	42	1.6
-32	42	1.3
-30	42	1.1
-28	42	1.4
-26	42	2
-24	42	2.8
-22	42	3.5
-20	42	3.9
-18	42	4
-16	42	3.9
-14	42	3.5
-12	42	3
-10	42	2.3
-8	42	1.6
-6	42	0.9
-4	42	0.1
-2	42	-0.7
0	42	-1.6
2	42	-2.5
4	42	-3.3
6	42	-3.1
8	42	-1.8
10	42	0.2
12	42	2.1
14	42	3.7
16	42	4.7
18	42	5.1
20	42	4.8
22	42	3.8
24	42	2
26	42	-0.5
28	42	-2.1
30	42	-0.7
32	42	1.2
34	42	2.2
36	42	1.9
38	42	0.5
40	42	-1.4
42	42	-1.7
44	42	0.1
46	42	1.4
48	42	1.3
50	42	-0.2
52	42	-1.9
54	42	-0.9
56	42	1
58	42	1.5
60	42	-0.3
62	42	-4.7
64	42	-4.6
66	42	1.95E-14
68	42	1.6

70	42	0.3
72	42	-5.3
74	42	-7.5
76	42	-0.2
78	42	2.1
80	42	1.1
82	42	-4.7
84	42	-13.6
86	42	-1
88	42	2
90	42	1.3
92	42	-3.7
94	42	-10.6
96	42	-1
98	42	2.1
100	42	1.8
102	42	-1.7
104	42	-6.2
106	42	-1.1
108	42	2.1
110	42	2.5
112	42	0.8
114	42	-1.8
116	42	-0.9
118	42	1.8
120	42	3
122	42	2.8
124	42	1.6
126	42	0.4
128	42	0.7
130	42	1.6
132	42	2.1
134	42	1.9
136	42	1.5
138	42	1.2
140	42	1.3
142	42	1.7
144	42	1.8
146	42	1.6
148	42	1.3
150	42	1.1
152	42	1.4
154	42	2.2
156	42	3
158	42	3.6
160	42	4
162	42	4.1
164	42	4
166	42	3.6
168	42	3
170	42	2.3
172	42	1.5
174	42	0.8
176	42	8.88E-16
178	42	-0.8
180	42	-1.6
-180	44	5.3
-178	44	5.3
-176	44	4.9
-174	44	4
-172	44	2.6
-170	44	0.9
-168	44	-0.7
-166	44	-0.8
-164	44	0.8
-162	44	2.6
-160	44	3.9
-158	44	4.6
-156	44	4.5
-154	44	3.5
-152	44	1.6
-150	44	-0.7
-148	44	-1.2
-146	44	0.5
-144	44	1.8
-142	44	2
-140	44	0.9
-138	44	-0.7
-136	44	-0.7
-134	44	1
-132	44	1.9
-130	44	1.4
-128	44	-0.6
-126	44	-1.8
-124	44	0.3
-122	44	1.9
-120	44	1.4
-118	44	-2
-116	44	-6.5
-114	44	-1.4
-112	44	1.7
-110	44	1.4
-108	44	-3
-106	44	-12.6
-104	44	-1.3
-102	44	2.2
-100	44	1.8
-98	44	-3.3
-96	44	-17.3
-94	44	-0.9
-92	44	2.4
-90	44	1.7
-88	44	-3.6
-86	44	-9.3
-84	44	-0.3
-82	44	2.3
-80	44	1.4
-78	44	-3.2
-76	44	-5.5
-74	44	0.2
-72	44	2.5
-70	44	2
-68	44	-0.7
-66	44	-2.3
-64	44	0.6
-62	44	2.8
-60	44	3.1
-58	44	2
-56	44	0.5

-54	44	0.6
-52	44	1.9
-50	44	2.8
-48	44	2.9
-46	44	2.3
-44	44	1.7
-42	44	1.6
-40	44	1.8
-38	44	2
-36	44	2
-34	44	1.8
-32	44	1.7
-30	44	1.9
-28	44	2.4
-26	44	2.9
-24	44	3.1
-22	44	3
-20	44	2.6
-18	44	1.9
-16	44	1.1
-14	44	0.5
-12	44	0.4
-10	44	1.1
-8	44	2.1
-6	44	3.3
-4	44	4.2
-2	44	4.9
0	44	5.3
2	44	5.3
4	44	4.9
6	44	4
8	44	2.7
10	44	1
12	44	-0.6
14	44	-0.7
16	44	1
18	44	2.8
20	44	4.1
22	44	4.7
24	44	4.5
26	44	3.4
28	44	1.5
30	44	-0.7
32	44	-1.1
34	44	0.5
36	44	1.8
38	44	1.9
40	44	0.9
42	44	-0.6
44	44	-0.6
46	44	0.9
48	44	1.9
50	44	1.4
52	44	-0.5
54	44	-1.5
56	44	0.4
58	44	1.9
60	44	1.4
62	44	-1.8
64	44	-6.2
66	44	-1.6
68	44	1.4
70	44	1.2
72	44	-3.1
74	44	-11.8
76	44	-1.4
78	44	2
80	44	1.6
82	44	-3.6
84	44	-16.5
86	44	-0.9
88	44	2.3
90	44	1.6
92	44	-3.7
94	44	-9.5
96	44	-0.3
98	44	2.3
100	44	1.4
102	44	-3.3
104	44	-5.6
106	44	0.3
108	44	2.6
110	44	2.1
112	44	-0.6
114	44	-2.3
116	44	0.6
118	44	2.8
120	44	3.1
122	44	2.1
124	44	0.6
126	44	0.7
128	44	2
130	44	2.9
132	44	2.9
134	44	2.3
136	44	1.7
138	44	1.6
140	44	2
142	44	2.2
144	44	2.1
146	44	1.8
148	44	1.7
150	44	2
152	44	2.5
154	44	3
156	44	3.3
158	44	3.2
160	44	2.7
162	44	1.9
164	44	1.1
166	44	0.4
168	44	0.4
170	44	1.1
172	44	2.2
174	44	3.3
176	44	4.3
178	44	5
180	44	5.3
-180	46	5.9

-178	46	6.1
-176	46	6
-174	46	5.8
-172	46	5.3
-170	46	4.5
-168	46	3.3
-166	46	1.6
-164	46	-0.6
-162	46	-2
-160	46	-0.8
-158	46	1.6
-156	46	3.5
-154	46	4.3
-152	46	4.2
-150	46	2.9
-148	46	0.9
-146	46	-0.3
-144	46	0.9
-142	46	2.3
-140	46	2.6
-138	46	1.6
-136	46	0.1
-134	46	0.2
-132	46	1.6
-130	46	2.2
-128	46	1
-126	46	-1.3
-124	46	-1.1
-122	46	1.2
-120	46	1.9
-118	46	3.11E-15
-116	46	-5.1
-114	46	-3
-112	46	1.3
-110	46	1.9
-108	46	-1.3
-106	46	-11.6
-104	46	-1.9
-102	46	2.4
-100	46	2.4
-98	46	-2.1
-96	46	-20.2
-94	46	-0.8
-92	46	2.7
-90	46	1.9
-88	46	-3.8
-86	46	-8.5
-84	46	0.3
-82	46	2.5
-80	46	1
-78	46	-4.8
-76	46	-4.3
-74	46	1
-72	46	2.5
-70	46	1.1
-68	46	-2.1
-66	46	-1.3
-64	46	1.8
-62	46	3.1
-60	46	2.6
-58	46	1.1
-56	46	0.7
-54	46	1.9
-52	46	2.9
-50	46	3
-48	46	2.6
-46	46	2
-44	46	1.9
-42	46	2
-40	46	2.1
-38	46	2
-36	46	2
-34	46	2.3
-32	46	2.7
-30	46	3.1
-28	46	3.2
-26	46	2.9
-24	46	2.4
-22	46	1.8
-20	46	1.3
-18	46	1.1
-16	46	1.5
-14	46	2.2
-12	46	2.9
-10	46	3.6
-8	46	4.2
-6	46	4.7
-4	46	5.2
-2	46	5.6
0	46	5.9
2	46	6
4	46	6
6	46	5.8
8	46	5.4
10	46	4.6
12	46	3.3
14	46	1.6
16	46	-0.6
18	46	-1.9
20	46	-0.5
22	46	1.8
24	46	3.5
26	46	4.3
28	46	4.1
30	46	2.9
32	46	1
34	46	0
36	46	1.1
38	46	2.4
40	46	2.6
42	46	1.7
44	46	0.3
46	46	0.3
48	46	1.6
50	46	2.1
52	46	1.1
54	46	-1.1
56	46	-0.9
58	46	1.3

60	46	1.9
62	46	2.22E-15
64	46	-4.8
66	46	-3
68	46	1.1
70	46	1.8
72	46	-1.4
74	46	-11.4
76	46	-2.1
78	46	2.2
80	46	2.2
82	46	-2.5
84	46	-18.9
86	46	-0.7
88	46	2.7
90	46	1.9
92	46	-3.9
94	46	-8.7
96	46	0.3
98	46	2.5
100	46	1
102	46	-4.8
104	46	-4.5
106	46	0.9
108	46	2.4
110	46	1
112	46	-2.2
114	46	-1.5
116	46	1.7
118	46	3
120	46	2.5
122	46	1
124	46	0.5
126	46	1.8
128	46	2.9
130	46	3.1
132	46	2.5
134	46	1.8
136	46	1.7
138	46	2
140	46	2.2
142	46	2.1
144	46	2
146	46	2.2
148	46	2.6
150	46	3.1
152	46	3.2
154	46	3
156	46	2.4
158	46	1.7
160	46	1.1
162	46	1.1
164	46	1.5
166	46	2.3
168	46	3.1
170	46	3.8
172	46	4.3
174	46	4.8
176	46	5.2
178	46	5.6
180	46	5.9
-180	48	3.4
-178	48	3.1
-176	48	3.2
-174	48	3.6
-172	48	4.3
-170	48	4.9
-168	48	5.4
-166	48	5.4
-164	48	4.9
-162	48	3.5
-160	48	1.2
-158	48	-1
-156	48	-0.2
-154	48	2.2
-152	48	3.7
-150	48	4
-148	48	2.9
-146	48	1
-144	48	-0.1
-142	48	1.2
-140	48	2.5
-138	48	2.5
-136	48	1.2
-134	48	-0.1
-132	48	0.9
-130	48	2.4
-128	48	2.3
-126	48	0.4
-124	48	-1.8
-122	48	3.02E-14
-120	48	1.8
-118	48	1.1
-116	48	-3
-114	48	-5.2
-112	48	0.3
-110	48	2.1
-108	48	-8.79E-14
-106	48	-8.2
-104	48	-3.2
-102	48	2.1
-100	48	2.7
-98	48	-1.3
-96	48	-20.6
-94	48	-1.1
-92	48	2.6
-90	48	1.7
-88	48	-4.6
-86	48	-7
-84	48	0.9
-82	48	2.5
-80	48	0.4
-78	48	-5.8
-76	48	-2.5
-74	48	1.7
-72	48	2.2
-70	48	-1.33E-15
-68	48	-2.1
-66	48	0.6

-64	48	2.8
-62	48	3
-60	48	1.7
-58	48	0.6
-56	48	1.4
-54	48	2.5
-52	48	2.8
-50	48	2.3
-48	48	1.8
-46	48	2
-44	48	2.5
-42	48	2.7
-40	48	2.5
-38	48	2.3
-36	48	2.6
-34	48	3.2
-32	48	3.7
-30	48	3.7
-28	48	3.4
-26	48	2.9
-24	48	2.6
-22	48	2.9
-20	48	3.6
-18	48	4.5
-16	48	5.2
-14	48	5.6
-12	48	5.8
-10	48	5.7
-8	48	5.5
-6	48	5.1
-4	48	4.6
-2	48	4
0	48	3.5
2	48	3.2
4	48	3.3
6	48	3.7
8	48	4.3
10	48	4.9
12	48	5.3
14	48	5.3
16	48	4.8
18	48	3.4
20	48	1.2
22	48	-0.8
24	48	9.77E-15
26	48	2.2
28	48	3.7
30	48	4
32	48	3
34	48	1.1
36	48	1.33E-15
38	48	1.2
40	48	2.5
42	48	2.6
44	48	1.3
46	48	0.1
48	48	0.9
50	48	2.3
52	48	2.2
54	48	0.3
56	48	-1.6
58	48	4.44E-15
60	48	1.8
62	48	1.1
64	48	-3
66	48	-5.1
68	48	0.2
70	48	2
72	48	1.69E-14
74	48	-8.1
76	48	-3.2
78	48	2.1
80	48	2.6
82	48	-1.4
84	48	-21.2
86	48	-1.1
88	48	2.6
90	48	1.6
92	48	-4.9
94	48	-6.9
96	48	1
98	48	2.6
100	48	0.4
102	48	-6.2
104	48	-2.7
106	48	1.6
108	48	2.1
110	48	-0.1
112	48	-2.4
114	48	0.4
116	48	2.7
118	48	2.8
120	48	1.5
122	48	0.3
124	48	1.3
126	48	2.6
128	48	2.8
130	48	2.2
132	48	1.6
134	48	1.8
136	48	2.4
138	48	2.6
140	48	2.4
142	48	2.2
144	48	2.6
146	48	3.3
148	48	3.8
150	48	3.9
152	48	3.5
154	48	2.8
156	48	2.4
158	48	2.7
160	48	3.5
162	48	4.4
164	48	5.2
166	48	5.7
168	48	5.9
170	48	5.8
172	48	5.6

174	48	5.1
176	48	4.6
178	48	4
180	48	3.4
-180	50	3.2
-178	50	3
-176	50	2.6
-174	50	2.3
-172	50	2.5
-170	50	3.4
-168	50	4.7
-166	50	5.8
-164	50	6.4
-162	50	6.4
-160	50	5.6
-158	50	3.9
-156	50	1.7
-154	50	0.8
-152	50	2.1
-150	50	3.5
-148	50	3.9
-146	50	3
-144	50	1.3
-142	50	0.5
-140	50	1.6
-138	50	2.4
-136	50	1.9
-134	50	0.3
-132	50	0
-130	50	1.8
-128	50	2.9
-126	50	1.9
-124	50	-0.5
-122	50	-0.4
-120	50	2
-118	50	2.4
-116	50	-0.3
-114	50	-6
-112	50	-1.3
-110	50	2
-108	50	1.3
-106	50	-4.7
-104	50	-6.1
-102	50	1.2
-100	50	2.5
-98	50	-0.7
-96	50	-18
-94	50	-1.8
-92	50	2.3
-90	50	1.4
-88	50	-5.5
-86	50	-6.3
-84	50	1
-82	50	2.2
-80	50	-0.9
-78	50	-6.9
-76	50	-0.9
-74	50	2.2
-72	50	1.8
-70	50	-1.1
-68	50	-1.6
-66	50	1.6
-64	50	3
-62	50	2.3
-60	50	0.5
-58	50	0.4
-56	50	2
-54	50	2.8
-52	50	2.5
-50	50	1.7
-48	50	1.7
-46	50	2.4
-44	50	2.8
-42	50	2.6
-40	50	2.2
-38	50	2.3
-36	50	2.8
-34	50	3.4
-32	50	3.6
-30	50	3.2
-28	50	2.6
-26	50	2.3
-24	50	2.7
-22	50	3.4
-20	50	4.1
-18	50	4.5
-16	50	4.6
-14	50	4.5
-12	50	4.1
-10	50	3.7
-8	50	3.3
-6	50	3.1
-4	50	3.1
-2	50	3.2
0	50	3.2
2	50	3
4	50	2.6
6	50	2.2
8	50	2.5
10	50	3.4
12	50	4.7
14	50	5.7
16	50	6.3
18	50	6.3
20	50	5.5
22	50	3.9
24	50	1.7
26	50	0.7
28	50	2
30	50	3.4
32	50	3.8
34	50	3
36	50	1.3
38	50	0.3
40	50	1.3
42	50	2.2
44	50	1.8
46	50	0.2
48	50	-0.1

50	50	1.6
52	50	2.6
54	50	1.7
56	50	-0.7
58	50	-0.5
60	50	1.9
62	50	2.3
64	50	-0.4
66	50	-6
68	50	-1.3
70	50	2
72	50	1.3
74	50	-4.9
76	50	-5.9
78	50	1.3
80	50	2.6
82	50	-0.7
84	50	-17.6
86	50	-1.7
88	50	2.3
90	50	1.3
92	50	-6
94	50	-6
96	50	1.2
98	50	2.2
100	50	-1
102	50	-7.6
104	50	-0.8
106	50	2.3
108	50	1.9
110	50	-1.3
112	50	-1.8
114	50	1.6
116	50	2.9
118	50	2.1
120	50	0.2
122	50	0.3
124	50	2.1
126	50	2.9
128	50	2.4
130	50	1.6
132	50	1.6
134	50	2.4
136	50	3
138	50	2.8
140	50	2.4
142	50	2.4
144	50	3.1
146	50	3.7
148	50	3.7
150	50	3.3
152	50	2.6
154	50	2.2
156	50	2.6
158	50	3.4
160	50	4.2
162	50	4.6
164	50	4.6
166	50	4.4
168	50	4.1
170	50	3.6
172	50	3.3
174	50	3.1
176	50	3.1
178	50	3.2
180	50	3.2
-180	52	4.3
-178	52	4.6
-176	52	4.4
-174	52	3.7
-172	52	2.3
-170	52	0.7
-168	52	-0.2
-166	52	1
-164	52	2.9
-162	52	4.4
-160	52	5.2
-158	52	5
-156	52	3.9
-154	52	1.9
-152	52	0.4
-150	52	1.4
-148	52	3
-146	52	3.7
-144	52	3
-142	52	1.6
-140	52	1.2
-138	52	2.2
-136	52	2.7
-134	52	1.8
-132	52	0.4
-130	52	0.9
-128	52	2.4
-126	52	2.4
-124	52	0.4
-122	52	-1
-120	52	1.4
-118	52	2.9
-116	52	1.4
-114	52	-4.1
-112	52	-3.2
-110	52	1.5
-108	52	1.9
-106	52	-2.7
-104	52	-9.3
-102	52	0.3
-100	52	2.4
-98	52	-0.3
-96	52	-16.7
-94	52	-2
-92	52	2.3
-90	52	1.3
-88	52	-6.4
-86	52	-5.5
-84	52	1.3
-82	52	2
-80	52	-2.1
-78	52	-7.1
-76	52	0.1

-74	52	2.4
-72	52	1.1
-70	52	-2.5
-68	52	-1
-66	52	2.2
-64	52	2.9
-62	52	1.6
-60	52	0.4
-58	52	1.5
-56	52	2.8
-54	52	2.9
-52	52	2.1
-50	52	1.6
-48	52	2
-46	52	2.5
-44	52	2.4
-42	52	1.9
-40	52	1.8
-38	52	2.3
-36	52	3
-34	52	3.2
-32	52	2.9
-30	52	2.5
-28	52	2.6
-26	52	3.2
-24	52	4
-22	52	4.4
-20	52	4.3
-18	52	3.8
-16	52	2.8
-14	52	1.7
-12	52	0.8
-10	52	0.5
-8	52	0.9
-6	52	1.7
-4	52	2.7
-2	52	3.6
0	52	4.3
2	52	4.5
4	52	4.3
6	52	3.5
8	52	2.1
10	52	0.6
12	52	-0.1
14	52	1
16	52	2.9
18	52	4.4
20	52	5.2
22	52	5
24	52	3.9
26	52	1.9
28	52	0.4
30	52	1.3
32	52	3
34	52	3.7
36	52	3.1
38	52	1.8
40	52	1.4
42	52	2.3
44	52	2.7
46	52	1.8
48	52	0.4
50	52	0.8
52	52	2.3
54	52	2.2
56	52	0.3
58	52	-1.1
60	52	1.3
62	52	2.7
64	52	1.1
66	52	-4.2
68	52	-3
70	52	1.5
72	52	1.8
74	52	-3
76	52	-9
78	52	0.3
80	52	2.3
82	52	-0.6
84	52	-18
86	52	-1.8
88	52	2.3
90	52	1.1
92	52	-7.2
94	52	-5.1
96	52	1.5
98	52	2
100	52	-2.3
102	52	-7
104	52	0.4
106	52	2.6
108	52	1.2
110	52	-2.6
112	52	-1.1
114	52	2.1
116	52	2.8
118	52	1.4
120	52	0.1
122	52	1.5
124	52	3
126	52	3.1
128	52	2.1
130	52	1.5
132	52	2
134	52	2.7
136	52	2.6
138	52	2.1
140	52	1.9
142	52	2.5
144	52	3.2
146	52	3.3
148	52	2.9
150	52	2.4
152	52	2.6
154	52	3.3
156	52	4.1
158	52	4.4
160	52	4.3
162	52	3.7

164	52	2.7
166	52	1.5
168	52	0.7
170	52	0.4
172	52	0.8
174	52	1.6
176	52	2.6
178	52	3.6
180	52	4.3
-180	54	4.7
-178	54	4.8
-176	54	5
-174	54	5.1
-172	54	4.9
-170	54	4.2
-168	54	2.8
-166	54	0.7
-164	54	-1.2
-162	54	1.42E-14
-160	54	2.7
-158	54	4.5
-156	54	5
-154	54	4.3
-152	54	2.3
-150	54	0.2
-148	54	0.8
-146	54	2.6
-144	54	3.2
-142	54	2.4
-140	54	1.1
-138	54	1.3
-136	54	2.5
-134	54	2.7
-132	54	1.4
-130	54	0.5
-128	54	1.7
-126	54	2.6
-124	54	1.4
-122	54	-1.6
-120	54	-0.8
-118	54	1.8
-116	54	1.5
-114	54	-2.9
-112	54	-5.6
-110	54	0.5
-108	54	1.8
-106	54	-1.9
-104	54	-11.6
-102	54	-0.3
-100	54	2.4
-98	54	-0.1
-96	54	-17.1
-94	54	-1.8
-92	54	2.5
-90	54	1.3
-88	54	-7
-86	54	-4
-84	54	1.9
-82	54	1.9
-80	54	-3.1
-78	54	-5.8
-76	54	0.9
-74	54	2.3
-72	54	-8.88E-16
-70	54	-3
-68	54	0.4
-66	54	2.8
-64	54	2.7
-62	54	1.2
-60	54	1.1
-58	54	2.6
-56	54	3.2
-54	54	2.7
-52	54	2
-50	54	2.3
-48	54	2.9
-46	54	2.8
-44	54	2.2
-42	54	2
-40	54	2.6
-38	54	3.4
-36	54	3.5
-34	54	3.1
-32	54	2.6
-30	54	2.9
-28	54	3.7
-26	54	4.6
-24	54	5
-22	54	4.8
-20	54	4.3
-18	54	3.7
-16	54	3.5
-14	54	3.8
-12	54	4.4
-10	54	4.9
-8	54	5.1
-6	54	5.1
-4	54	4.9
-2	54	4.7
0	54	4.6
2	54	4.7
4	54	4.9
6	54	5
8	54	4.8
10	54	4.1
12	54	2.7
14	54	0.6
16	54	-1.1
18	54	0.2
20	54	2.7
22	54	4.5
24	54	5
26	54	4.2
28	54	2.2
30	54	0.1
32	54	0.6
34	54	2.4
36	54	3
38	54	2.3

40	54	1.1
42	54	1.4
44	54	2.5
46	54	2.6
48	54	1.5
50	54	0.7
52	54	1.8
54	54	2.5
56	54	1.3
58	54	-1.5
60	54	-0.7
62	54	1.8
64	54	1.5
66	54	-2.8
68	54	-5.3
70	54	0.5
72	54	1.6
74	54	-2.2
76	54	-11.1
78	54	-0.3
80	54	2.2
82	54	-0.4
84	54	-19.3
86	54	-1.7
88	54	2.4
90	54	1.1
92	54	-7.6
94	54	-3.5
96	54	2
98	54	2
100	54	-3.1
102	54	-5.5
104	54	1
106	54	2.4
108	54	0.2
110	54	-3
112	54	0.4
114	54	2.8
116	54	2.7
118	54	1.2
120	54	1.1
122	54	2.6
124	54	3.2
126	54	2.6
128	54	1.7
130	54	2
132	54	2.8
134	54	2.9
136	54	2.4
138	54	2.1
140	54	2.7
142	54	3.4
144	54	3.6
146	54	3.1
148	54	2.6
150	54	2.9
152	54	3.8
154	54	4.7
156	54	5
158	54	4.8
160	54	4.2
162	54	3.5
164	54	3.3
166	54	3.7
168	54	4.3
170	54	4.8
172	54	5
174	54	5
176	54	4.9
178	54	4.7
180	54	4.7
-180	56	4.1
-178	56	3.8
-176	56	4.1
-174	56	4.8
-172	56	5.7
-170	56	6.3
-168	56	6.3
-166	56	5.5
-164	56	3.8
-162	56	1.6
-160	56	1.2
-158	56	3.2
-156	56	5.1
-154	56	5.7
-152	56	4.9
-150	56	3.1
-148	56	1.3
-146	56	1.9
-144	56	3.1
-142	56	3.2
-140	56	1.9
-138	56	0.9
-136	56	1.8
-134	56	2.6
-132	56	1.8
-130	56	0.2
-128	56	0.8
-126	56	2.6
-124	56	2.4
-122	56	-0.3
-120	56	-2.1
-118	56	1
-116	56	1.8
-114	56	-1.4
-112	56	-7.7
-110	56	-0.6
-108	56	1.7
-106	56	-1
-104	56	-11.8
-102	56	-1
-100	56	2.3
-98	56	0.1
-96	56	-15.6
-94	56	-2.1
-92	56	2.3
-90	56	1.1
-88	56	-7.2
-86	56	-2.9

-84	56	2
-82	56	1.4
-80	56	-4.5
-78	56	-3.3
-76	56	1.7
-74	56	2.1
-72	56	-1
-70	56	-2
-68	56	1.7
-66	56	3.1
-64	56	2
-62	56	0.5
-60	56	1.7
-58	56	3.1
-56	56	3.1
-54	56	2.2
-52	56	2
-50	56	2.9
-48	56	3.3
-46	56	2.9
-44	56	2.3
-42	56	2.7
-40	56	3.4
-38	56	3.7
-36	56	3.2
-34	56	2.6
-32	56	2.7
-30	56	3.5
-28	56	4.3
-26	56	4.4
-24	56	3.8
-22	56	2.9
-20	56	2.1
-18	56	2.3
-16	56	3.3
-14	56	4.5
-12	56	5.4
-10	56	6
-8	56	6.1
-6	56	5.8
-4	56	5.2
-2	56	4.6
0	56	4
2	56	3.8
4	56	4.1
6	56	4.9
8	56	5.7
10	56	6.2
12	56	6.2
14	56	5.4
16	56	3.7
18	56	1.6
20	56	1.3
22	56	3.2
24	56	5
26	56	5.6
28	56	4.9
30	56	3
32	56	1.2
34	56	1.6
36	56	2.9
38	56	3
40	56	1.9
42	56	0.9
44	56	1.7
46	56	2.4
48	56	1.8
50	56	0.3
52	56	0.9
54	56	2.5
56	56	2.4
58	56	-0.2
60	56	-2
62	56	0.9
64	56	1.8
66	56	-1.2
68	56	-7.1
70	56	-0.6
72	56	1.7
74	56	-1
76	56	-11.2
78	56	-1
80	56	2.2
82	56	-0.1
84	56	-16.8
86	56	-1.9
88	56	2.4
90	56	1
92	56	-7.5
94	56	-2.6
96	56	2.1
98	56	1.4
100	56	-4.5
102	56	-3.1
104	56	1.8
106	56	2.2
108	56	-1
110	56	-2
112	56	1.8
114	56	3.1
116	56	2.1
118	56	0.6
120	56	1.7
122	56	3
124	56	3
126	56	2
128	56	1.9
130	56	2.8
132	56	3.3
134	56	3
136	56	2.4
138	56	2.7
140	56	3.5
142	56	3.7
144	56	3.2
146	56	2.6
148	56	2.7
150	56	3.5
152	56	4.2

154	56	4.3
156	56	3.8
158	56	2.8
160	56	2.1
162	56	2.2
164	56	3.2
166	56	4.4
168	56	5.4
170	56	5.9
172	56	6
174	56	5.8
176	56	5.2
178	56	4.6
180	56	4.1
-180	58	4.6
-178	58	4.7
-176	58	4.6
-174	58	4.6
-172	58	5.1
-170	58	5.9
-168	58	6.6
-166	58	6.7
-164	58	6.1
-162	58	4.5
-160	58	2
-158	58	0.6
-156	58	2.3
-154	58	4.4
-152	58	5.1
-150	58	4.5
-148	58	2.8
-146	58	1.6
-144	58	2.4
-142	58	3.3
-140	58	2.9
-138	58	1.7
-136	58	1.7
-134	58	2.5
-132	58	2.3
-130	58	0.7
-128	58	0.3
-126	58	2.1
-124	58	2.7
-122	58	0.6
-120	58	-2
-118	58	0.8
-116	58	2.5
-114	58	0.5
-112	58	-6.2
-110	58	-1.6
-108	58	1.9
-106	58	0.1
-104	58	-9.8
-102	58	-2
-100	58	2
-98	58	0.3
-96	58	-13.6
-94	58	-2.5
-92	58	2
-90	58	0.5
-88	58	-9
-86	58	-2.2
-84	58	2
-82	58	0.7
-80	58	-5.9
-78	58	-1.5
-76	58	2.4
-74	58	1.9
-72	58	-1.9
-70	58	-1.1
-68	58	2.4
-66	58	2.9
-64	58	1.2
-62	58	0.3
-60	58	2.2
-58	58	3.2
-56	58	2.6
-54	58	1.6
-52	58	2
-50	58	2.9
-48	58	2.9
-46	58	2.4
-44	58	2.5
-42	58	3.3
-40	58	3.8
-38	58	3.6
-36	58	3.1
-34	58	3.2
-32	58	4.1
-30	58	4.9
-28	58	4.9
-26	58	4.2
-24	58	3.2
-22	58	2.7
-20	58	3.2
-18	58	4.1
-16	58	4.8
-14	58	5.2
-12	58	5.3
-10	58	5.2
-8	58	5
-6	58	4.8
-4	58	4.6
-2	58	4.5
0	58	4.5
2	58	4.5
4	58	4.4
6	58	4.5
8	58	5.1
10	58	5.9
12	58	6.5
14	58	6.7
16	58	6.1
18	58	4.5
20	58	2.1
22	58	0.6
24	58	2.2
26	58	4.2
28	58	5

30	58	4.5
32	58	2.8
34	58	1.5
36	58	2.3
38	58	3.2
40	58	3
42	58	1.9
44	58	1.7
46	58	2.5
48	58	2.4
50	58	0.8
52	58	0.2
54	58	2
56	58	2.7
58	58	0.7
60	58	-2
62	58	0.7
64	58	2.4
66	58	0.4
68	58	-6.4
70	58	-1.5
72	58	1.9
74	58	0.1
76	58	-9.4
78	58	-2
80	58	2
82	58	0.2
84	58	-14.2
86	58	-2.5
88	58	2
90	58	0.4
92	58	-9.3
94	58	-2
96	58	2.1
98	58	0.6
100	58	-6.1
102	58	-1.4
104	58	2.4
106	58	1.8
108	58	-2.2
110	58	-1
112	58	2.5
114	58	3
116	58	1.2
118	58	0.4
120	58	2.3
122	58	3.2
124	58	2.5
126	58	1.5
128	58	2
130	58	2.9
132	58	2.9
134	58	2.3
136	58	2.4
138	58	3.3
140	58	3.8
142	58	3.5
144	58	3.1
146	58	3.3
148	58	4.1
150	58	4.8
152	58	4.9
154	58	4.2
156	58	3.3
158	58	2.8
160	58	3.2
162	58	4.1
164	58	4.9
166	58	5.3
168	58	5.3
170	58	5.1
172	58	4.9
174	58	4.6
176	58	4.5
178	58	4.5
180	58	4.6
-180	60	4.5
-178	60	4.9
-176	60	4.8
-174	60	4.2
-172	60	3.6
-170	60	3.6
-168	60	4.4
-166	60	5.6
-164	60	6.4
-162	60	6.3
-160	60	5.2
-158	60	3
-156	60	1.1
-154	60	2.4
-152	60	4.4
-150	60	5.1
-148	60	4.3
-146	60	2.5
-144	60	1.6
-142	60	2.4
-140	60	2.8
-138	60	2.1
-136	60	1.4
-134	60	2.1
-132	60	2.7
-130	60	1.7
-128	60	0.5
-126	60	1.7
-124	60	2.8
-122	60	1.5
-120	60	-1.6
-118	60	-0.1
-116	60	2.4
-114	60	1.3
-112	60	-4.5
-110	60	-2.7
-108	60	1.6
-106	60	0.5
-104	60	-8.8
-102	60	-3
-100	60	1.9
-98	60	0.5
-96	60	-12.4

-94	60	-2.7
-92	60	2
-90	60	0.4
-88	60	-10.2
-86	60	-1.8
-84	60	2.1
-82	60	0.2
-80	60	-7.2
-78	60	-0.9
-76	60	2.6
-74	60	1.4
-72	60	-2.7
-70	60	-0.4
-68	60	2.7
-66	60	2.6
-64	60	0.6
-62	60	0.8
-60	60	2.6
-58	60	2.9
-56	60	1.9
-54	60	1.5
-52	60	2.4
-50	60	3
-48	60	2.5
-46	60	2.2
-44	60	3
-42	60	3.8
-40	60	3.8
-38	60	3.1
-36	60	2.9
-34	60	3.8
-32	60	4.8
-30	60	5
-28	60	4.4
-26	60	3.4
-24	60	3.1
-22	60	4
-20	60	5.2
-18	60	5.9
-16	60	5.9
-14	60	5.4
-12	60	4.5
-10	60	3.6
-8	60	3
-6	60	2.8
-4	60	3.2
-2	60	3.8
0	60	4.4
2	60	4.7
4	60	4.6
6	60	4.2
8	60	3.7
10	60	3.7
12	60	4.6
14	60	5.6
16	60	6.3
18	60	6.2
20	60	5.2
22	60	3
24	60	1.1
26	60	2.1
28	60	4.2
30	60	5
32	60	4.3
34	60	2.6
36	60	1.6
38	60	2.4
40	60	2.9
42	60	2.1
44	60	1.4
46	60	2.1
48	60	2.7
50	60	1.8
52	60	0.5
54	60	1.7
56	60	2.9
58	60	1.7
60	60	-1.4
62	60	-4.44E-15
64	60	2.4
66	60	1.3
68	60	-4.7
70	60	-2.6
72	60	1.7
74	60	0.6
76	60	-8.5
78	60	-2.9
80	60	1.9
82	60	0.4
84	60	-12.9
86	60	-2.6
88	60	2.1
90	60	0.4
92	60	-10.1
94	60	-1.8
96	60	2
98	60	1.15E-14
100	60	-7.6
102	60	-0.7
104	60	2.6
106	60	1.3
108	60	-2.9
110	60	-0.1
112	60	2.8
114	60	2.6
116	60	0.6
118	60	0.8
120	60	2.7
122	60	3
124	60	1.9
126	60	1.6
128	60	2.6
130	60	3.1
132	60	2.5
134	60	2.2
136	60	3
138	60	3.9
140	60	3.8
142	60	3.1

144	60	2.9
146	60	3.9
148	60	4.8
150	60	5
152	60	4.4
154	60	3.4
156	60	3.1
158	60	4
160	60	5.2
162	60	6
164	60	6
166	60	5.5
168	60	4.6
170	60	3.5
172	60	2.7
174	60	2.6
176	60	3
178	60	3.8
180	60	4.5
-180	62	3.8
-178	62	4
-176	62	4.1
-174	62	3.8
-172	62	3.1
-170	62	2.2
-168	62	1.7
-166	62	2.8
-164	62	4.6
-162	62	5.9
-160	62	6.3
-158	62	5.4
-156	62	3.4
-154	62	2
-152	62	3.3
-150	62	4.9
-148	62	5.2
-146	62	4.1
-144	62	2.5
-142	62	2.4
-140	62	3.1
-138	62	2.7
-136	62	1.6
-134	62	1.7
-132	62	2.6
-130	62	2.3
-128	62	0.5
-126	62	0.6
-124	62	2.4
-122	62	2.3
-120	62	-0.6
-118	62	-1.3
-116	62	1.7
-114	62	1.7
-112	62	-3.2
-110	62	-4.4
-108	62	1
-106	62	0.7
-104	62	-7.5
-102	62	-4.1
-100	62	1.8
-98	62	0.9
-96	62	-10.3
-94	62	-3.2
-92	62	2.1
-90	62	0.7
-88	62	-8.8
-86	62	-2
-84	62	1.9
-82	62	-0.1
-80	62	-7
-78	62	-0.7
-76	62	2.1
-74	62	0.4
-72	62	-3.4
-70	62	0.3
-68	62	2.6
-66	62	1.9
-64	62	0.2
-62	62	1.4
-60	62	3
-58	62	2.7
-56	62	1.7
-54	62	2.1
-52	62	3.1
-50	62	3.1
-48	62	2.2
-46	62	2
-44	62	2.9
-42	62	3.3
-40	62	2.8
-38	62	2.1
-36	62	2.7
-34	62	3.8
-32	62	4.2
-30	62	3.6
-28	62	2.3
-26	62	1.7
-24	62	2.9
-22	62	4.5
-20	62	5.6
-18	62	5.9
-16	62	5.6
-14	62	4.9
-12	62	4.1
-10	62	3.7
-8	62	3.7
-6	62	3.6
-4	62	3.6
-2	62	3.7
0	62	3.9
2	62	4.1
4	62	4.2
6	62	3.9
8	62	3.2
10	62	2.3
12	62	1.9
14	62	2.9
16	62	4.6
18	62	5.9

20	62	6.3
22	62	5.4
24	62	3.5
26	62	2
28	62	3.2
30	62	4.8
32	62	5.2
34	62	4.2
36	62	2.6
38	62	2.4
40	62	3.1
42	62	2.7
44	62	1.6
46	62	1.7
48	62	2.7
50	62	2.3
52	62	0.5
54	62	0.6
56	62	2.5
58	62	2.3
60	62	-0.4
62	62	-1.1
64	62	1.8
66	62	1.6
68	62	-3.4
70	62	-4.2
72	62	1.1
74	62	0.8
76	62	-7.2
78	62	-4.1
80	62	1.7
82	62	0.7
84	62	-10.9
86	62	-3
88	62	2.1
90	62	0.5
92	62	-9.5
94	62	-1.9
96	62	1.9
98	62	-0.2
100	62	-7.3
102	62	-0.7
104	62	2.1
106	62	0.3
108	62	-3.5
110	62	0.4
112	62	2.7
114	62	1.9
116	62	0.1
118	62	1.4
120	62	3
122	62	2.7
124	62	1.7
126	62	2.2
128	62	3.3
130	62	3.2
132	62	2.2
134	62	2
136	62	3
138	62	3.4
140	62	2.8
142	62	2.1
144	62	2.7
146	62	3.8
148	62	4.3
150	62	3.7
152	62	2.4
154	62	1.9
156	62	3
158	62	4.7
160	62	5.7
162	62	6.1
164	62	5.7
166	62	4.9
168	62	4.2
170	62	3.7
172	62	3.7
174	62	3.7
176	62	3.7
178	62	3.7
180	62	3.8
-180	64	4.1
-178	64	3.8
-176	64	3.9
-174	64	4.4
-172	64	4.6
-170	64	4.4
-168	64	3.5
-166	64	2.5
-164	64	2.8
-162	64	4.4
-160	64	5.8
-158	64	6
-156	64	5
-154	64	2.8
-152	64	1.6
-150	64	3.1
-148	64	4.4
-146	64	4.2
-144	64	2.9
-142	64	2.2
-140	64	2.9
-138	64	3.1
-136	64	2.3
-134	64	2
-132	64	2.9
-130	64	3
-128	64	1.2
-126	64	-0.2
-124	64	1.8
-122	64	2.5
-120	64	-5.11E-14
-118	64	-2.7
-116	64	0.9
-114	64	2
-112	64	-1.9
-110	64	-6.1
-108	64	0.6
-106	64	1.3

-104	64	-4.9
-102	64	-6.1
-100	64	1.3
-98	64	1
-96	64	-8.6
-94	64	-4.1
-92	64	1.7
-90	64	0.5
-88	64	-8.1
-86	64	-1.8
-84	64	1.7
-82	64	-0.5
-80	64	-5.8
-78	64	-0.1
-76	64	1.8
-74	64	-0.8
-72	64	-3.3
-70	64	1.1
-68	64	2.7
-66	64	1.3
-64	64	0.1
-62	64	2
-60	64	3
-58	64	2.2
-56	64	1.4
-54	64	2.4
-52	64	3.2
-50	64	2.7
-48	64	1.9
-46	64	2.4
-44	64	3.3
-42	64	3.3
-40	64	2.9
-38	64	3.1
-36	64	4.1
-34	64	4.7
-32	64	4.3
-30	64	3.2
-28	64	2.6
-26	64	3.5
-24	64	4.8
-22	64	5.6
-20	64	5.7
-18	64	5.2
-16	64	4.5
-14	64	4.2
-12	64	4.5
-10	64	5.1
-8	64	5.6
-6	64	5.7
-4	64	5.4
-2	64	4.8
0	64	4.2
2	64	4
4	64	4.2
6	64	4.5
8	64	4.7
10	64	4.4
12	64	3.4
14	64	2.5
16	64	2.8
18	64	4.4
20	64	5.8
22	64	6
24	64	5
26	64	2.8
28	64	1.6
30	64	3
32	64	4.3
34	64	4.2
36	64	2.9
38	64	2.2
40	64	2.8
42	64	3.1
44	64	2.3
46	64	2
48	64	2.9
50	64	3
52	64	1.2
54	64	-0.2
56	64	1.7
58	64	2.4
60	64	-0.1
62	64	-2.6
64	64	0.9
66	64	1.9
68	64	-2.1
70	64	-6.4
72	64	0.5
74	64	1.3
76	64	-4.8
78	64	-6
80	64	1.2
82	64	0.8
84	64	-9.1
86	64	-4
88	64	1.7
90	64	0.4
92	64	-8.6
94	64	-1.5
96	64	1.9
98	64	-0.4
100	64	-6.3
102	64	-0.3
104	64	1.8
106	64	-0.9
108	64	-3.4
110	64	1.1
112	64	2.7
114	64	1.3
116	64	0
118	64	1.9
120	64	2.9
122	64	2.2
124	64	1.4
126	64	2.4
128	64	3.3
130	64	2.8
132	64	2

134	64	2.4
136	64	3.2
138	64	3.3
140	64	2.8
142	64	3.1
144	64	4.1
146	64	4.7
148	64	4.3
150	64	3.2
152	64	2.5
154	64	3.4
156	64	4.7
158	64	5.6
160	64	5.7
162	64	5.3
164	64	4.7
166	64	4.3
168	64	4.5
170	64	5.1
172	64	5.6
174	64	5.7
176	64	5.4
178	64	4.8
180	64	4.1
-180	66	4.8
-178	66	4.3
-176	66	4.2
-174	66	4.7
-172	66	5.3
-170	66	5.6
-168	66	5.2
-166	66	3.9
-164	66	2.2
-162	66	2.3
-160	66	4.2
-158	66	5.6
-156	66	5.7
-154	66	4.3
-152	66	2.1
-150	66	1.6
-148	66	3.4
-146	66	4.1
-144	66	3.4
-142	66	2.1
-140	66	2.1
-138	66	2.6
-136	66	2.1
-134	66	1.4
-132	66	2.2
-130	66	2.9
-128	66	1.7
-126	66	8.88E-16
-124	66	1.5
-122	66	2.7
-120	66	0.8
-118	66	-3
-116	66	0.3
-114	66	2.1
-112	66	-0.9
-110	66	-7.3
-108	66	0.2
-106	66	1.8
-104	66	-2.9
-102	66	-8.6
-100	66	0.6
-98	66	0.8
-96	66	-8
-94	66	-4.7
-92	66	1.4
-90	66	-1.78E-15
-88	66	-8.4
-86	66	-1.2
-84	66	1.8
-82	66	-1
-80	66	-5.3
-78	66	0.6
-76	66	2
-74	66	-1.1
-72	66	-2.5
-70	66	1.8
-68	66	2.7
-66	66	0.9
-64	66	0.2
-62	66	2.2
-60	66	2.8
-58	66	1.8
-56	66	1.7
-54	66	2.9
-52	66	3.2
-50	66	2.5
-48	66	2.5
-46	66	3.5
-44	66	3.9
-42	66	3.4
-40	66	3.1
-38	66	4.1
-36	66	5.1
-34	66	5.2
-32	66	4.2
-30	66	3.2
-28	66	3.8
-26	66	5.2
-24	66	6.1
-22	66	6.1
-20	66	5.3
-18	66	4.2
-16	66	3.6
-14	66	3.9
-12	66	4.7
-10	66	5.4
-8	66	5.8
-6	66	5.9
-4	66	5.7
-2	66	5.3
0	66	4.8
2	66	4.3
4	66	4.3
6	66	4.8
8	66	5.4

10	66	5.7
12	66	5.2
14	66	3.7
16	66	2.1
18	66	2.3
20	66	4.2
22	66	5.6
24	66	5.6
26	66	4.3
28	66	2.2
30	66	1.8
32	66	3.3
34	66	4.1
36	66	3.4
38	66	2.1
40	66	2
42	66	2.5
44	66	2
46	66	1.3
48	66	2.1
50	66	2.8
52	66	1.6
54	66	-0.1
56	66	1.3
58	66	2.5
60	66	0.6
62	66	-3.2
64	66	0.2
66	66	2
68	66	-0.9
70	66	-7.3
72	66	0.1
74	66	1.7
76	66	-3.1
78	66	-8.2
80	66	0.7
82	66	0.9
84	66	-7.9
86	66	-4.7
88	66	1.4
90	66	0.1
92	66	-8.5
94	66	-1.2
96	66	1.9
98	66	-0.9
100	66	-5.6
102	66	0.6
104	66	2
106	66	-1.1
108	66	-2.5
110	66	1.7
112	66	2.7
114	66	0.8
116	66	0.1
118	66	2.2
120	66	2.8
122	66	1.8
124	66	1.7
126	66	2.8
128	66	3.2
130	66	2.6
132	66	2.6
134	66	3.4
136	66	3.9
138	66	3.4
140	66	3.2
142	66	4.1
144	66	5.2
146	66	5.2
148	66	4.3
150	66	3.2
152	66	3.8
154	66	5.2
156	66	6
158	66	6
160	66	5.2
162	66	4.1
164	66	3.6
166	66	3.9
168	66	4.8
170	66	5.5
172	66	5.9
174	66	5.9
176	66	5.7
178	66	5.3
180	66	4.8
-180	68	5.8
-178	68	5.8
-176	68	5.5
-174	68	5.4
-172	68	5.6
-170	68	6.1
-168	68	6.2
-166	68	5.5
-164	68	3.9
-162	68	2
-160	68	2.3
-158	68	4.5
-156	68	5.7
-154	68	5.5
-152	68	3.8
-150	68	2.1
-148	68	2.9
-146	68	4.3
-144	68	4.2
-142	68	3
-140	68	2.4
-138	68	2.9
-136	68	2.7
-134	68	1.5
-132	68	1.4
-130	68	2.5
-128	68	2
-126	68	-4.44E-16
-124	68	0.7
-122	68	2.4
-120	68	1.4
-118	68	-2.2
-116	68	-0.2

-114	68	2.1
-112	68	-9.33E-14
-110	68	-7.3
-108	68	-0.6
-106	68	1.8
-104	68	-2.3
-102	68	-10.4
-100	68	0.3
-98	68	1
-96	68	-7.2
-94	68	-5
-92	68	1.5
-90	68	0.2
-88	68	-9.1
-86	68	-1.2
-84	68	1.8
-82	68	-1.2
-80	68	-5.7
-78	68	0.8
-76	68	1.9
-74	68	-1.3
-72	68	-1.7
-70	68	2.1
-68	68	2.6
-66	68	0.8
-64	68	1.1
-62	68	2.9
-60	68	3
-58	68	2
-56	68	2.2
-54	68	3.1
-52	68	2.8
-50	68	2
-48	68	2.4
-46	68	3.3
-44	68	3.2
-42	68	2.4
-40	68	2.6
-38	68	4.1
-36	68	5
-34	68	4.5
-32	68	3.3
-30	68	3.1
-28	68	4.7
-26	68	6.1
-24	68	6.6
-22	68	6.1
-20	68	5
-18	68	4.3
-16	68	4.5
-14	68	5.2
-12	68	5.6
-10	68	5.6
-8	68	5.5
-6	68	5.4
-4	68	5.5
-2	68	5.7
0	68	5.8
2	68	5.8
4	68	5.5
6	68	5.4
8	68	5.7
10	68	6.2
12	68	6.3
14	68	5.5
16	68	3.8
18	68	1.9
20	68	2.3
22	68	4.4
24	68	5.6
26	68	5.3
28	68	3.8
30	68	2.2
32	68	2.9
34	68	4.2
36	68	4.1
38	68	3.1
40	68	2.5
42	68	2.9
44	68	2.6
46	68	1.5
48	68	1.5
50	68	2.3
52	68	1.8
54	68	-0.1
56	68	0.7
58	68	2.4
60	68	1.3
62	68	-2.2
64	68	-0.3
66	68	2
68	68	-0.2
70	68	-7.5
72	68	-0.7
74	68	1.6
76	68	-2.5
78	68	-10.1
80	68	0.4
82	68	1
84	68	-7.2
86	68	-5
88	68	1.4
90	68	0.1
92	68	-9
94	68	-1.1
96	68	1.8
98	68	-1.3
100	68	-5.5
102	68	0.8
104	68	2
106	68	-1.2
108	68	-1.7
110	68	2.1
112	68	2.6
114	68	0.7
116	68	1
118	68	2.9
120	68	2.9
122	68	1.9

124	68	2.1
126	68	3.2
128	68	2.9
130	68	2
132	68	2.3
134	68	3.3
136	68	3.3
138	68	2.4
140	68	2.6
142	68	4
144	68	4.9
146	68	4.5
148	68	3.2
150	68	3.1
152	68	4.7
154	68	6.1
156	68	6.6
158	68	6
160	68	4.9
162	68	4.2
164	68	4.5
166	68	5.2
168	68	5.6
170	68	5.7
172	68	5.5
174	68	5.4
176	68	5.4
178	68	5.6
180	68	5.8
-180	70	5.8
-178	70	6
-176	70	5.7
-174	70	5.2
-172	70	4.9
-170	70	5.3
-168	70	5.9
-166	70	6.2
-164	70	5.7
-162	70	4.2
-160	70	2.7
-158	70	3.5
-156	70	5.3
-154	70	6.1
-152	70	5.3
-150	70	3.5
-148	70	2.8
-146	70	3.8
-144	70	4.1
-142	70	3.2
-140	70	2.4
-138	70	2.9
-136	70	3.1
-134	70	2.1
-132	70	1.7
-130	70	2.9
-128	70	2.9
-126	70	0.9
-124	70	0.1
-122	70	2.1
-120	70	1.9
-118	70	-1.6
-116	70	-1.6
-114	70	1.5
-112	70	0.3
-110	70	-6.7
-108	70	-1.6
-106	70	1.5
-104	70	-1.9
-102	70	-11.7
-100	70	0.2
-98	70	1.3
-96	70	-6.2
-94	70	-5.3
-92	70	1.6
-90	70	0.6
-88	70	-8.4
-86	70	-1.5
-84	70	1.7
-82	70	-1.2
-80	70	-5.7
-78	70	0.4
-76	70	1.4
-74	70	-1.7
-72	70	-1.1
-70	70	2.2
-68	70	2.2
-66	70	0.4
-64	70	1.5
-62	70	3.1
-60	70	2.7
-58	70	1.5
-56	70	2.2
-54	70	3.1
-52	70	2.7
-50	70	1.8
-48	70	2.4
-46	70	3.2
-44	70	3
-42	70	2.5
-40	70	3.3
-38	70	4.4
-36	70	4.6
-34	70	3.7
-32	70	2.7
-30	70	3.5
-28	70	5
-26	70	5.9
-24	70	5.8
-22	70	4.9
-20	70	4.1
-18	70	4.3
-16	70	5.2
-14	70	5.8
-12	70	5.8
-10	70	5.2
-8	70	4.5
-6	70	4.2
-4	70	4.4
-2	70	5.1

0	70	5.7
2	70	6
4	70	5.8
6	70	5.3
8	70	5
10	70	5.4
12	70	6
14	70	6.2
16	70	5.6
18	70	4.1
20	70	2.7
22	70	3.5
24	70	5.3
26	70	6
28	70	5.3
30	70	3.6
32	70	2.9
34	70	3.6
36	70	3.9
38	70	3.1
40	70	2.4
42	70	2.8
44	70	3
46	70	2.1
48	70	1.9
50	70	2.9
52	70	2.8
54	70	1
56	70	0.4
58	70	2.2
60	70	1.9
62	70	-1.6
64	70	-1.3
66	70	1.7
68	70	0.4
70	70	-6.5
72	70	-1.8
74	70	1.3
76	70	-2.2
78	70	-11.4
80	70	0.1
82	70	1.1
84	70	-6.4
86	70	-5.4
88	70	1.5
90	70	0.4
92	70	-8.5
94	70	-1.6
96	70	1.6
98	70	-1.4
100	70	-5.4
102	70	0.5
104	70	1.4
106	70	-1.8
108	70	-1.1
110	70	2.2
112	70	2.2
114	70	0.5
116	70	1.4
118	70	3
120	70	2.6
122	70	1.5
124	70	2.3
126	70	3.2
128	70	2.7
130	70	1.8
132	70	2.4
134	70	3.3
136	70	3.1
138	70	2.5
140	70	3.2
142	70	4.4
144	70	4.6
146	70	3.6
148	70	2.6
150	70	3.5
152	70	5.1
154	70	6
156	70	5.9
158	70	5
160	70	4.2
162	70	4.4
164	70	5.4
166	70	5.9
168	70	5.9
170	70	5.3
172	70	4.5
174	70	4.1
176	70	4.4
178	70	5.1
180	70	5.8
-180	72	5.4
-178	72	5.8
-176	72	5.7
-174	72	5
-172	72	4.3
-170	72	4.2
-168	72	5
-166	72	6
-164	72	6.4
-162	72	5.7
-160	72	3.8
-158	72	2.4
-156	72	3.9
-154	72	5.5
-152	72	5.6
-150	72	4.3
-148	72	2.8
-146	72	3
-144	72	3.7
-142	72	3.2
-140	72	2.2
-138	72	2.4
-136	72	2.8
-134	72	2
-132	72	1.2
-130	72	2.3
-128	72	2.9
-126	72	1.3

-124	72	-4.44E-16
-122	72	2
-120	72	2.4
-118	72	-1
-116	72	-2.9
-114	72	1.2
-112	72	0.9
-110	72	-6
-108	72	-3
-106	72	1.4
-104	72	-1
-102	72	-12.2
-100	72	-0.3
-98	72	1.5
-96	72	-4.7
-94	72	-7.2
-92	72	1.1
-90	72	0.5
-88	72	-7.2
-86	72	-1.8
-84	72	1.4
-82	72	-1.4
-80	72	-4.7
-78	72	0.4
-76	72	0.9
-74	72	-2.3
-72	72	-0.9
-70	72	2
-68	72	1.5
-66	72	-0.1
-64	72	1.5
-62	72	2.9
-60	72	2.4
-58	72	1.6
-56	72	2.6
-54	72	3.4
-52	72	2.9
-50	72	2.5
-48	72	3.1
-46	72	3.5
-44	72	3.1
-42	72	3
-40	72	4
-38	72	4.7
-36	72	4.3
-34	72	3
-32	72	2.8
-30	72	4.2
-28	72	5.3
-26	72	5.4
-24	72	4.6
-22	72	3.7
-20	72	3.7
-18	72	4.7
-16	72	5.8
-14	72	6.2
-12	72	5.9
-10	72	5.2
-8	72	4.4
-6	72	4.1
-4	72	4.3
-2	72	4.9
0	72	5.5
2	72	5.9
4	72	5.7
6	72	5
8	72	4.2
10	72	4.2
12	72	5
14	72	6.1
16	72	6.4
18	72	5.7
20	72	3.9
22	72	2.6
24	72	3.9
26	72	5.4
28	72	5.5
30	72	4.3
32	72	2.9
34	72	3
36	72	3.5
38	72	3.1
40	72	2.3
42	72	2.5
44	72	2.7
46	72	2
48	72	1.4
50	72	2.4
52	72	2.9
54	72	1.4
56	72	0.3
58	72	2.1
60	72	2.4
62	72	-0.9
64	72	-2.7
66	72	1.1
68	72	0.8
70	72	-5.8
72	72	-2.9
74	72	1.3
76	72	-1.1
78	72	-1.2
80	72	-0.5
82	72	1.3
84	72	-4.9
86	72	-7.4
88	72	0.9
90	72	0.3
92	72	-7.9
94	72	-1.8
96	72	1.3
98	72	-1.6
100	72	-4.8
102	72	0.5
104	72	1
106	72	-2.5
108	72	-1.1
110	72	2
112	72	1.5

114	72	-0.2
116	72	1.3
118	72	2.8
120	72	2.4
122	72	1.6
124	72	2.6
126	72	3.4
128	72	3
130	72	2.5
132	72	3.1
134	72	3.5
136	72	3
138	72	3
140	72	4
142	72	4.7
144	72	4.2
146	72	2.8
148	72	2.7
150	72	4.2
152	72	5.4
154	72	5.6
156	72	4.7
158	72	3.7
160	72	3.7
162	72	4.8
164	72	5.8
166	72	6.2
168	72	5.9
170	72	5.2
172	72	4.4
174	72	4.1
176	72	4.2
178	72	4.8
180	72	5.4
-180	74	5.1
-178	74	5.4
-176	74	5.5
-174	74	5.2
-172	74	4.5
-170	74	4
-168	74	4.4
-166	74	5.7
-164	74	6.7
-162	74	6.7
-160	74	5.2
-158	74	2.8
-156	74	2.5
-154	74	4.4
-152	74	5.2
-150	74	4.4
-148	74	2.6
-146	74	2.1
-144	74	3.1
-142	74	3.2
-140	74	2.4
-138	74	2.2
-136	74	2.9
-134	74	2.5
-132	74	1.3
-130	74	1.7
-128	74	2.5
-126	74	1.2
-124	74	-0.7
-122	74	1.2
-120	74	2.2
-118	74	-0.6
-116	74	-3.3
-114	74	1.2
-112	74	1.6
-110	74	-4.1
-108	74	-4.2
-106	74	1.2
-104	74	-0.4
-102	74	-12.7
-100	74	-1.2
-98	74	1.2
-96	74	-4.3
-94	74	-8.5
-92	74	0.7
-90	74	0.2
-88	74	-7.4
-86	74	-1.7
-84	74	1.2
-82	74	-1.7
-80	74	-4
-78	74	0.8
-76	74	1
-74	74	-2.2
-72	74	-0.5
-70	74	2.1
-68	74	1.6
-66	74	0.4
-64	74	1.8
-62	74	2.9
-60	74	2.2
-58	74	1.7
-56	74	2.6
-54	74	3
-52	74	2.5
-50	74	2.4
-48	74	3.1
-46	74	3.1
-44	74	2.6
-42	74	3.1
-40	74	4.4
-38	74	4.9
-36	74	4.1
-34	74	2.9
-32	74	3.7
-30	74	5.3
-28	74	6.1
-26	74	5.7
-24	74	4.4
-22	74	3.5
-20	74	4
-18	74	5.2
-16	74	6
-14	74	6.2
-12	74	5.8

-10	74	5.3
-8	74	5.1
-6	74	5
-4	74	4.9
-2	74	4.9
0	74	5.2
2	74	5.4
4	74	5.4
6	74	5.1
8	74	4.4
10	74	3.9
12	74	4.5
14	74	5.8
16	74	6.8
18	74	6.6
20	74	5.2
22	74	2.9
24	74	2.7
26	74	4.4
28	74	5.2
30	74	4.4
32	74	2.7
34	74	2.2
36	74	3
38	74	3.1
40	74	2.4
42	74	2.3
44	74	2.8
46	74	2.4
48	74	1.3
50	74	1.7
52	74	2.4
54	74	1.2
56	74	-0.5
58	74	1.2
60	74	2.1
62	74	-0.6
64	74	-3.1
66	74	1.2
68	74	1.6
70	74	-4.2
72	74	-3.9
74	74	1.4
76	74	-0.1
78	74	-11.7
80	74	-1.3
82	74	1.2
84	74	-4.1
86	74	-8.8
88	74	0.6
90	74	0.2
92	74	-7.6
94	74	-1.8
96	74	1.2
98	74	-1.9
100	74	-4.3
102	74	0.8
104	74	1.1
106	74	-2.4
108	74	-0.8
110	74	2.1
112	74	1.6
114	74	0.2
116	74	1.7
118	74	2.9
120	74	2.3
122	74	1.8
124	74	2.7
126	74	3.1
128	74	2.6
130	74	2.6
132	74	3.2
134	74	3.2
136	74	2.6
138	74	3.1
140	74	4.5
142	74	5
144	74	4.1
146	74	2.9
148	74	3.7
150	74	5.4
152	74	6.1
154	74	5.7
156	74	4.4
158	74	3.6
160	74	4.2
162	74	5.3
164	74	6
166	74	6.2
168	74	5.8
170	74	5.3
172	74	5
174	74	4.9
176	74	4.9
178	74	4.9
180	74	5.1
-180	76	4.6
-178	76	4.7
-176	76	5
-174	76	5.3
-172	76	5.1
-170	76	4.5
-168	76	4.2
-166	76	5.2
-164	76	6.4
-162	76	6.8
-160	76	5.9
-158	76	3.7
-156	76	2.2
-154	76	3.5
-152	76	4.9
-150	76	4.8
-148	76	3.4
-146	76	2.3
-144	76	3
-142	76	3.3
-140	76	2.6
-138	76	2
-136	76	2.6

-134	76	2.6
-132	76	1.5
-130	76	1.6
-128	76	2.7
-126	76	2.1
-124	76	4.44E-16
-122	76	0.9
-120	76	2.2
-118	76	0.1
-116	76	-3.2
-114	76	0.7
-112	76	1.7
-110	76	-3.1
-108	76	-4.4
-106	76	1.3
-104	76	0.1
-102	76	-12.3
-100	76	-1.8
-98	76	1.2
-96	76	-3.9
-94	76	-8.7
-92	76	0.7
-90	76	0.2
-88	76	-8.1
-86	76	-1.6
-84	76	1.3
-82	76	-1.9
-80	76	-4.4
-78	76	0.9
-76	76	1.2
-74	76	-1.8
-72	76	0.1
-70	76	2.4
-68	76	1.9
-66	76	0.8
-64	76	2.1
-62	76	2.6
-60	76	1.7
-58	76	1.6
-56	76	2.6
-54	76	2.5
-52	76	1.7
-50	76	2
-48	76	3
-46	76	3
-44	76	2.5
-42	76	3.2
-40	76	4.5
-38	76	4.8
-36	76	3.8
-34	76	3.1
-32	76	4.4
-30	76	6
-28	76	6.5
-26	76	5.7
-24	76	4.4
-22	76	4
-20	76	4.9
-18	76	5.7
-16	76	5.9
-14	76	5.6
-12	76	5.3
-10	76	5.2
-8	76	5.6
-6	76	5.9
-4	76	5.7
-2	76	5.1
0	76	4.7
2	76	4.6
4	76	5
6	76	5.2
8	76	5
10	76	4.5
12	76	4.3
14	76	5.2
16	76	6.4
18	76	6.8
20	76	5.9
22	76	3.8
24	76	2.4
26	76	3.6
28	76	4.9
30	76	4.8
32	76	3.4
34	76	2.4
36	76	3
38	76	3.3
40	76	2.6
42	76	2.1
44	76	2.6
46	76	2.6
48	76	1.4
50	76	1.5
52	76	2.6
54	76	2.1
56	76	-4.44E-16
58	76	0.8
60	76	2.1
62	76	-4.44E-16
64	76	-3.5
66	76	0.7
68	76	1.7
70	76	-3.2
72	76	-4.6
74	76	1.3
76	76	0.2
78	76	-11.4
80	76	-1.7
82	76	1.3
84	76	-3.7
86	76	-9
88	76	0.7
90	76	0.3
92	76	-8.4
94	76	-1.9
96	76	1.2
98	76	-2
100	76	-4.5
102	76	0.9

104	76	1.2
106	76	-1.8
108	76	-4.88E-15
110	76	2.5
112	76	1.9
114	76	0.8
116	76	2
118	76	2.6
120	76	1.8
122	76	1.6
124	76	2.5
126	76	2.6
128	76	2
130	76	2.3
132	76	3.1
134	76	3
136	76	2.4
138	76	3.3
140	76	4.6
142	76	4.9
144	76	3.8
146	76	3
148	76	4.4
150	76	6
152	76	6.5
154	76	5.7
156	76	4.4
158	76	4.1
160	76	5
162	76	5.7
164	76	5.8
166	76	5.6
168	76	5.3
170	76	5.3
172	76	5.6
174	76	5.9
176	76	5.7
178	76	5.1
180	76	4.6
-180	78	4.8
-178	78	4.4
-176	78	4.9
-174	78	5.6
-172	78	6
-170	78	5.7
-168	78	5
-166	78	5
-164	78	5.9
-162	78	6.7
-160	78	6.4
-158	78	4.8
-156	78	2.5
-154	78	2.5
-152	78	4.2
-150	78	4.9
-148	78	4
-146	78	2.8
-144	78	2.9
-142	78	3.3
-140	78	2.9
-138	78	2.3
-136	78	2.7
-134	78	2.8
-132	78	1.7
-130	78	1.4
-128	78	2.8
-126	78	2.7
-124	78	0.7
-122	78	1.1
-120	78	2.8
-118	78	1.5
-116	78	-2.5
-114	78	4.44E-16
-112	78	1.7
-110	78	-2.3
-108	78	-5.8
-106	78	0.7
-104	78	0.1
-102	78	-10.8
-100	78	-1.9
-98	78	1.4
-96	78	-3.5
-94	78	-9.2
-92	78	0.9
-90	78	0.7
-88	78	-7.8
-86	78	-1.9
-84	78	1.5
-82	78	-1.7
-80	78	-4.9
-78	78	0.6
-76	78	1
-74	78	-1.9
-72	78	-4.44E-16
-70	78	2.2
-68	78	1.4
-66	78	0.6
-64	78	2.2
-62	78	2.7
-60	78	1.8
-58	78	1.9
-56	78	2.9
-54	78	2.8
-52	78	1.9
-50	78	2.3
-48	78	3
-46	78	2.8
-44	78	2.4
-42	78	3.4
-40	78	4.4
-38	78	4.3
-36	78	3.2
-34	78	3.1
-32	78	4.8
-30	78	6.2
-28	78	6.5
-26	78	5.6
-24	78	4.7
-22	78	5

-20	78	5.9
-18	78	6.3
-16	78	6
-14	78	5.3
-12	78	4.9
-10	78	5.2
-8	78	5.9
-6	78	6.4
-4	78	6.4
-2	78	5.7
0	78	4.8
2	78	4.4
4	78	4.9
6	78	5.6
8	78	6
10	78	5.6
12	78	4.9
14	78	4.9
16	78	5.9
18	78	6.7
20	78	6.4
22	78	4.8
24	78	2.6
26	78	2.6
28	78	4.2
30	78	4.8
32	78	4.1
34	78	2.9
36	78	3
38	78	3.4
40	78	3
42	78	2.4
44	78	2.8
46	78	2.9
48	78	1.8
50	78	1.5
52	78	2.7
54	78	2.7
56	78	0.8
58	78	1.2
60	78	2.8
62	78	1.5
64	78	-2.4
66	78	0
68	78	1.6
70	78	-2.3
72	78	-6.1
74	78	0.5
76	78	-0.1
78	78	-11
80	78	-1.7
82	78	1.4
84	78	-3.4
86	78	-9.4
88	78	0.8
90	78	0.6
92	78	-8
94	78	-1.7
96	78	1.5
98	78	-1.7
100	78	-4.9
102	78	0.6
104	78	1
106	78	-1.8
108	78	0.1
110	78	2.2
112	78	1.5
114	78	0.6
116	78	2.1
118	78	2.7
120	78	1.8
122	78	1.9
124	78	2.9
126	78	2.9
128	78	2.1
130	78	2.3
132	78	3
134	78	2.8
136	78	2.5
138	78	3.3
140	78	4.4
142	78	4.2
144	78	3.1
146	78	3.1
148	78	4.8
150	78	6.2
152	78	6.4
154	78	5.6
156	78	4.8
158	78	5.2
160	78	6.1
162	78	6.4
164	78	6
166	78	5.2
168	78	4.9
170	78	5.2
172	78	6
174	78	6.5
176	78	6.4
178	78	5.7
180	78	4.8
-180	80	4.7
-178	80	4.1
-176	80	4.4
-174	80	5.3
-172	80	6
-170	80	6
-168	80	5.2
-166	80	4.5
-164	80	5.1
-162	80	6.2
-160	80	6.5
-158	80	5.6
-156	80	3.5
-154	80	2.3
-152	80	3.7
-150	80	5
-148	80	4.7
-146	80	3.3

-144	80	2.7
-142	80	3.1
-140	80	3
-138	80	2.4
-136	80	2.7
-134	80	3.1
-132	80	2.3
-130	80	1.8
-128	80	2.8
-126	80	2.9
-124	80	0.8
-122	80	0.5
-120	80	2.6
-118	80	1.8
-116	80	-2.5
-114	80	-0.5
-112	80	1.8
-110	80	-1.2
-108	80	-6.5
-106	80	0.4
-104	80	0.5
-102	80	-8.3
-100	80	-2.6
-98	80	1.3
-96	80	-2.9
-94	80	-11
-92	80	0.7
-90	80	0.8
-88	80	-7.2
-86	80	-2.1
-84	80	1.4
-82	80	-1.5
-80	80	-4.7
-78	80	0.5
-76	80	0.7
-74	80	-2.6
-72	80	-0.4
-70	80	2
-68	80	1.3
-66	80	0.6
-64	80	2.3
-62	80	3
-60	80	2.2
-58	80	2.3
-56	80	3.2
-54	80	3.1
-52	80	2.5
-50	80	2.7
-48	80	3.1
-46	80	2.7
-44	80	2.8
-42	80	3.9
-40	80	4.5
-38	80	3.9
-36	80	2.7
-34	80	3.2
-32	80	4.9
-30	80	6
-28	80	5.9
-26	80	5
-24	80	4.5
-22	80	5.3
-20	80	6.3
-18	80	6.5
-16	80	5.8
-14	80	4.8
-12	80	4.4
-10	80	4.8
-8	80	5.7
-6	80	6.3
-4	80	6.3
-2	80	5.7
0	80	4.7
2	80	4.1
4	80	4.4
6	80	5.3
8	80	6
10	80	6
12	80	5.1
14	80	4.4
16	80	5.1
18	80	6.2
20	80	6.6
22	80	5.7
24	80	3.7
26	80	2.5
28	80	3.7
30	80	4.9
32	80	4.6
34	80	3.3
36	80	2.7
38	80	3.2
40	80	3
42	80	2.5
44	80	2.8
46	80	3
48	80	2.3
50	80	1.8
52	80	2.8
54	80	2.8
56	80	0.9
58	80	0.7
60	80	2.6
62	80	1.7
64	80	-2.2
66	80	-0.4
68	80	1.8
70	80	-1.2
72	80	-6.3
74	80	0.3
76	80	0.4
78	80	-8.6
80	80	-2.5
82	80	1.3
84	80	-2.8
86	80	-11.3
88	80	0.5
90	80	0.7
92	80	-6.9

94	80	-1.9
96	80	1.4
98	80	-1.5
100	80	-4.6
102	80	0.5
104	80	0.6
106	80	-2.7
108	80	-0.2
110	80	2.1
112	80	1.3
114	80	0.5
116	80	2.2
118	80	2.9
120	80	2.2
122	80	2.2
124	80	3.1
126	80	3
128	80	2.5
130	80	2.7
132	80	3.1
134	80	2.8
136	80	2.8
138	80	3.8
140	80	4.5
142	80	3.8
144	80	2.6
146	80	3.1
148	80	5
150	80	6
152	80	5.9
154	80	4.9
156	80	4.5
158	80	5.4
160	80	6.4
162	80	6.5
164	80	5.8
166	80	4.8
168	80	4.4
170	80	4.8
172	80	5.7
174	80	6.4
176	80	6.4
178	80	5.7
180	80	4.7
-180	82	5.2
-178	82	4.5
-176	82	4.5
-174	82	5.3
-172	82	6
-170	82	6.2
-168	82	5.4
-166	82	4.1
-164	82	4
-162	82	5.1
-160	82	6
-158	82	5.6
-156	82	3.9
-154	82	2.2
-152	82	3.2
-150	82	4.8
-148	82	4.8
-146	82	3.7
-144	82	2.9
-142	82	3.4
-140	82	3.3
-138	82	2.6
-136	82	2.6
-134	82	3.1
-132	82	2.5
-130	82	1.6
-128	82	2.3
-126	82	2.7
-124	82	0.9
-122	82	0.1
-120	82	2
-118	82	1.5
-116	82	-3
-114	82	-1.1
-112	82	1.7
-110	82	-1
-108	82	-7
-106	82	0.5
-104	82	1.2
-102	82	-6.2
-100	82	-3.8
-98	82	1.2
-96	82	-2
-94	82	-15.3
-92	82	-0.1
-90	82	0.5
-88	82	-7
-86	82	-2.5
-84	82	1.2
-82	82	-1.6
-80	82	-4.4
-78	82	0.8
-76	82	1
-74	82	-2.2
-72	82	-4.44E-16
-70	82	2.3
-68	82	1.6
-66	82	0.5
-64	82	1.9
-62	82	2.6
-60	82	2.1
-58	82	2.3
-56	82	3
-54	82	2.9
-52	82	2.8
-50	82	3.3
-48	82	3.6
-46	82	3
-44	82	3
-42	82	4.2
-40	82	4.6
-38	82	3.6
-36	82	2.2
-34	82	3
-32	82	4.8

-30	82	5.7
-28	82	5.3
-26	82	4.2
-24	82	4.1
-22	82	5.4
-20	82	6.5
-18	82	6.6
-16	82	6
-14	82	5
-12	82	4.6
-10	82	5
-8	82	5.8
-6	82	6.4
-4	82	6.5
-2	82	6
0	82	5.2
2	82	4.5
4	82	4.5
6	82	5.2
8	82	6
10	82	6
12	82	5.2
14	82	4
16	82	3.9
18	82	5.2
20	82	6
22	82	5.7
24	82	4
26	82	2.4
28	82	3.3
30	82	4.7
32	82	4.8
34	82	3.7
36	82	3
38	82	3.4
40	82	3.4
42	82	2.7
44	82	2.6
46	82	3
48	82	2.3
50	82	1.5
52	82	2.2
54	82	2.6
56	82	0.9
58	82	0.2
60	82	2
62	82	1.4
64	82	-2.8
66	82	-1.1
68	82	1.7
70	82	-1
72	82	-6.5
74	82	0.4
76	82	1.1
78	82	-6.5
80	82	-3.6
82	82	1.1
84	82	-2.2
86	82	-14.4
88	82	-0.1
90	82	0.4
92	82	-7
94	82	-2.2
96	82	1.3
98	82	-1.6
100	82	-4.3
102	82	0.7
104	82	0.9
106	82	-2.2
108	82	0.1
110	82	2.2
112	82	1.3
114	82	0.3
116	82	2
118	82	2.7
120	82	2.1
122	82	2.3
124	82	3
126	82	3
128	82	2.8
130	82	3.4
132	82	3.6
134	82	3
136	82	3.1
138	82	4.2
140	82	4.6
142	82	3.6
144	82	2.2
146	82	3
148	82	4.9
150	82	5.7
152	82	5.3
154	82	4.3
156	82	4.2
158	82	5.4
160	82	6.5
162	82	6.6
164	82	5.9
166	82	5
168	82	4.6
170	82	5
172	82	5.8
174	82	6.4
176	82	6.4
178	82	6
180	82	5.2
-180	84	5.5
-178	84	5
-176	84	4.8
-174	84	5.3
-172	84	6.1
-170	84	6.3
-168	84	5.7
-166	84	4.3
-164	84	3.7
-162	84	4.6
-160	84	5.7
-158	84	5.8
-156	84	4.5

-154	84	2.6
-152	84	2.9
-150	84	4.4
-148	84	4.7
-146	84	3.7
-144	84	3
-142	84	3.4
-140	84	3.3
-138	84	2.6
-136	84	2.6
-134	84	3.2
-132	84	2.6
-130	84	1.2
-128	84	1.7
-126	84	2.4
-124	84	0.9
-122	84	-0.4
-120	84	1.6
-118	84	1.6
-116	84	-2.1
-114	84	-1.5
-112	84	1.5
-110	84	-0.7
-108	84	-7.2
-106	84	-0.1
-104	84	0.9
-102	84	-6.3
-100	84	-4.5
-98	84	1
-96	84	-1.8
-94	84	-16.7
-92	84	-0.4
-90	84	0.4
-88	84	-7.2
-86	84	-2.7
-84	84	1.2
-82	84	-1.5
-80	84	-4.5
-78	84	0.9
-76	84	1.4
-74	84	-1.6
-72	84	0
-70	84	2.2
-68	84	1.5
-66	84	0.6
-64	84	2.1
-62	84	2.6
-60	84	2
-58	84	2.3
-56	84	3.1
-54	84	2.9
-52	84	2.7
-50	84	3.4
-48	84	3.7
-46	84	3.2
-44	84	3.3
-42	84	4.5
-40	84	4.9
-38	84	3.9
-36	84	2.6
-34	84	3.6
-32	84	5.3
-30	84	5.9
-28	84	5.2
-26	84	4.1
-24	84	4.1
-22	84	5.5
-20	84	6.6
-18	84	6.8
-16	84	6.1
-14	84	5.2
-12	84	4.9
-10	84	5.2
-8	84	5.8
-6	84	6.3
-4	84	6.4
-2	84	6.1
0	84	5.4
2	84	4.8
4	84	4.7
6	84	5.3
8	84	6
10	84	6.3
12	84	5.6
14	84	4.2
16	84	3.6
18	84	4.7
20	84	5.8
22	84	5.8
24	84	4.6
26	84	2.8
28	84	3
30	84	4.5
32	84	4.8
34	84	3.8
36	84	3.1
38	84	3.4
40	84	3.4
42	84	2.5
44	84	2.4
46	84	2.9
48	84	2.4
50	84	1.2
52	84	1.7
54	84	2.3
56	84	0.8
58	84	-0.3
60	84	1.6
62	84	1.5
64	84	-2.2
66	84	-1.3
68	84	1.6
70	84	-0.7
72	84	-7
74	84	1.24E-14
76	84	1.1
78	84	-6.2
80	84	-4.5
82	84	1

84	84	-1.9
86	84	-16.3
88	84	-0.3
90	84	0.4
92	84	-7
94	84	-2.4
96	84	1.3
98	84	-1.6
100	84	-4.4
102	84	0.9
104	84	1.4
106	84	-1.5
108	84	-4.00E-15
110	84	2.1
112	84	1.4
114	84	0.8
116	84	2.3
118	84	2.7
120	84	2.1
122	84	2.4
124	84	3.2
126	84	2.9
128	84	2.6
130	84	3.4
132	84	3.8
134	84	3.2
136	84	3.4
138	84	4.6
140	84	5
142	84	4
144	84	2.6
146	84	3.6
148	84	5.3
150	84	5.9
152	84	5.3
154	84	4.1
156	84	4.2
158	84	5.6
160	84	6.7
162	84	6.8
164	84	6.1
166	84	5.2
168	84	4.8
170	84	5.1
172	84	5.7
174	84	6.2
176	84	6.4
178	84	6.1
180	84	5.5
-180	86	5.6
-178	86	5.2
-176	86	5
-174	86	5.4
-172	86	6.1
-170	86	6.5
-168	86	6
-166	86	4.7
-164	86	3.6
-162	86	4.3
-160	86	5.7
-158	86	6.1
-156	86	5.1
-154	86	3.3
-152	86	2.9
-150	86	4.3
-148	86	4.8
-146	86	4.1
-144	86	3.1
-142	86	3.1
-140	86	3.1
-138	86	2.3
-136	86	2.2
-134	86	2.9
-132	86	2.5
-130	86	1.2
-128	86	1.7
-126	86	2.7
-124	86	1.4
-122	86	-0.3
-120	86	1.5
-118	86	1.8
-116	86	-1.4
-114	86	-2
-112	86	1.2
-110	86	-0.4
-108	86	-6.8
-106	86	-0.8
-104	86	0.6
-102	86	-6.2
-100	86	-5
-98	86	0.8
-96	86	-1.8
-94	86	-17.5
-92	86	-0.4
-90	86	0.7
-88	86	-6.3
-86	86	-3.1
-84	86	1.2
-82	86	-1.2
-80	86	-5.5
-78	86	0
-76	86	0.6
-74	86	-2.3
-72	86	-0.3
-70	86	2
-68	86	1.4
-66	86	0.9
-64	86	2.3
-62	86	2.7
-60	86	1.9
-58	86	2.2
-56	86	3.1
-54	86	2.9
-52	86	2.5
-50	86	3.2
-48	86	3.7
-46	86	3.3
-44	86	3.6
-42	86	4.7

-40	86	5.1
-38	86	4.1
-36	86	3.1
-34	86	4.1
-32	86	5.6
-30	86	6
-28	86	5.1
-26	86	4
-24	86	4.3
-22	86	5.7
-20	86	6.7
-18	86	6.7
-16	86	6
-14	86	5.3
-12	86	5
-10	86	5.3
-8	86	5.8
-6	86	6.2
-4	86	6.3
-2	86	6.1
0	86	5.6
2	86	5.1
4	86	4.9
6	86	5.3
8	86	6.1
10	86	6.5
12	86	6
14	86	4.7
16	86	3.6
18	86	4.3
20	86	5.7
22	86	6.1
24	86	5.2
26	86	3.4
28	86	3
30	86	4.4
32	86	5
34	86	4.3
36	86	3.2
38	86	3.1
40	86	3.1
42	86	2.3
44	86	2.1
46	86	2.7
48	86	2.3
50	86	1.2
52	86	1.9
54	86	2.7
56	86	1.3
58	86	-0.4
60	86	1.5
62	86	1.9
64	86	-1.5
66	86	-2.1
68	86	1.2
70	86	-0.4
72	86	-7
74	86	-0.8
76	86	0.7
78	86	-6
80	86	-5.1
82	86	0.8
84	86	-2
86	86	-16.8
88	86	-0.2
90	86	0.8
92	86	-6.1
94	86	-3
96	86	1.2
98	86	-1.2
100	86	-5.2
102	86	0.1
104	86	0.7
106	86	-2.1
108	86	-0.2
110	86	2.1
112	86	1.4
114	86	0.9
116	86	2.4
118	86	2.7
120	86	2
122	86	2.3
124	86	3.1
126	86	2.9
128	86	2.5
130	86	3.2
132	86	3.6
134	86	3.3
136	86	3.7
138	86	4.9
140	86	5.2
142	86	4.1
144	86	3.1
146	86	4.2
148	86	5.7
150	86	6
152	86	5.1
154	86	4
156	86	4.3
158	86	5.7
160	86	6.7
162	86	6.7
164	86	6
166	86	5.2
168	86	5.1
170	86	5.4
172	86	5.8
174	86	6.1
176	86	6.2
178	86	6
180	86	5.6
-180	88	5.8
-178	88	5.4
-176	88	5.2
-174	88	5.5
-172	88	6.2
-170	88	6.7
-168	88	6.4
-166	88	5.2

-164	88	3.9
-162	88	4.2
-160	88	5.6
-158	88	6.3
-156	88	5.5
-154	88	3.6
-152	88	2.7
-150	88	4.1
-148	88	4.9
-146	88	4.2
-144	88	2.9
-142	88	2.9
-140	88	3.1
-138	88	2.6
-136	88	2.2
-134	88	2.8
-132	88	2.6
-130	88	1.5
-128	88	1.7
-126	88	2.6
-124	88	1.6
-122	88	4.44E-16
-120	88	1.6
-118	88	2.1
-116	88	-1.2
-114	88	-3.1
-112	88	0.9
-110	88	-8.08E-14
-108	88	-6.8
-106	88	-1.6
-104	88	0.6
-102	88	-4.8
-100	88	-5.6
-98	88	0.6
-96	88	-1.4
-94	88	-24.6
-92	88	-1
-90	88	0.6
-88	88	-5.8
-86	88	-4
-84	88	0.7
-82	88	-1.5
-80	88	-6.1
-78	88	-0.6
-76	88	0.1
-74	88	-2.8
-72	88	-0.7
-70	88	1.7
-68	88	0.9
-66	88	0.2
-64	88	2
-62	88	2.6
-60	88	1.8
-58	88	2
-56	88	2.9
-54	88	3
-52	88	2.7
-50	88	3.1
-48	88	3.3
-46	88	2.9
-44	88	3.4
-42	88	4.6
-40	88	4.9
-38	88	3.8
-36	88	2.9
-34	88	4.2
-32	88	5.7
-30	88	5.9
-28	88	5
-26	88	3.9
-24	88	4.3
-22	88	5.8
-20	88	6.7
-18	88	6.7
-16	88	6
-14	88	5.3
-12	88	5.2
-10	88	5.5
-8	88	5.9
-6	88	6.2
-4	88	6.2
-2	88	6.1
0	88	5.7
2	88	5.3
4	88	5.1
6	88	5.4
8	88	6.2
10	88	6.7
12	88	6.4
14	88	5.2
16	88	3.9
18	88	4.2
20	88	5.6
22	88	6.3
24	88	5.6
26	88	3.7
28	88	2.8
30	88	4.1
32	88	5
34	88	4.3
36	88	3
38	88	2.9
40	88	3.1
42	88	2.5
44	88	2.1
46	88	2.7
48	88	2.6
50	88	1.5
52	88	1.8
54	88	2.7
56	88	1.6
58	88	-0.2
60	88	1.5
62	88	2.1
64	88	-1.1
66	88	-3
68	88	0.8
70	88	-0.1
72	88	-6.7

74	88	-1.4
76	88	0.6
78	88	-4.9
80	88	-5.5
82	88	0.7
84	88	-1.4
86	88	-22.8
88	88	-0.9
90	88	0.6
92	88	-5.6
94	88	-3.8
96	88	0.8
98	88	-1.4
100	88	-6
102	88	-0.5
104	88	0.2
106	88	-2.6
108	88	-0.6
110	88	1.7
112	88	1
114	88	0.2
116	88	1.9
118	88	2.6
120	88	2
122	88	2.2
124	88	3
126	88	3
128	88	2.7
130	88	3
132	88	3.2
134	88	3
136	88	3.5
138	88	4.7
140	88	4.9
142	88	3.8
144	88	2.9
146	88	4.3
148	88	5.8
150	88	6
152	88	5
154	88	3.8
156	88	4.3
158	88	5.7
160	88	6.7
162	88	6.7
164	88	6
166	88	5.3
168	88	5.2
170	88	5.5
172	88	5.8
174	88	6.1
176	88	6.2
178	88	6.1
180	88	5.8
-180	90	5.7
-178	90	5.3
-176	90	5
-174	90	5.2
-172	90	5.9
-170	90	6.4
-168	90	6.2
-166	90	5.1
-164	90	3.7
-162	90	3.8
-160	90	5.2
-158	90	6
-156	90	5.5
-154	90	3.7
-152	90	2.7
-150	90	3.9
-148	90	4.8
-146	90	4.1
-144	90	2.7
-142	90	2.7
-140	90	3.1
-138	90	2.6
-136	90	2.1
-134	90	2.7
-132	90	2.8
-130	90	1.8
-128	90	1.6
-126	90	2.4
-124	90	1.5
-122	90	-0.2
-120	90	1.1
-118	90	1.7
-116	90	-1.5
-114	90	-3.3
-112	90	0.8
-110	90	-8.30E-14
-108	90	-6.9
-106	90	-1.5
-104	90	1.1
-102	90	-3.6
-100	90	-6.7
-98	90	0.5
-96	90	-0.8
-94	90	-22.6
-92	90	-2
-90	90	0.2
-88	90	-5.7
-86	90	-4.5
-84	90	0.4
-82	90	-1.5
-80	90	-5.4
-78	90	-0.3
-76	90	0.4
-74	90	-2.9
-72	90	-1.4
-70	90	1.3
-68	90	0.8
-66	90	-0.1
-64	90	1.5
-62	90	2.3
-60	90	1.7
-58	90	1.8
-56	90	2.5
-54	90	2.6
-52	90	2.6

-50	90	3.1
-48	90	3.2
-46	90	2.8
-44	90	3.3
-42	90	4.6
-40	90	4.9
-38	90	3.8
-36	90	2.8
-34	90	4
-32	90	5.6
-30	90	5.9
-28	90	4.9
-26	90	3.6
-24	90	3.9
-22	90	5.4
-20	90	6.5
-18	90	6.6
-16	90	6
-14	90	5.3
-12	90	5.2
-10	90	5.5
-8	90	5.8
-6	90	6
-4	90	6.1
-2	90	5.9
0	90	5.6
2	90	5.3
4	90	5
6	90	5.2
8	90	5.9
10	90	6.4
12	90	6.2
14	90	5.1
16	90	3.8
18	90	3.8
20	90	5.2
22	90	6.1
24	90	5.6
26	90	3.8
28	90	2.7
30	90	4
32	90	4.8
34	90	4.1
36	90	2.7
38	90	2.5
40	90	3.1
42	90	2.6
44	90	2
46	90	2.7
48	90	2.9
50	90	1.9
52	90	1.7
54	90	2.4
56	90	1.6
58	90	-0.2
60	90	1.1
62	90	1.8
64	90	-1.5
66	90	-3.3
68	90	0.8
70	90	1.02E-14
72	90	-6.9
74	90	-1.4
76	90	1.1
78	90	-3.6
80	90	-6.8
82	90	0.5
84	90	-0.9
86	90	-22.5
88	90	-2.1
90	90	0.2
92	90	-5.6
94	90	-4.6
96	90	0.4
98	90	-1.5
100	90	-5.5
102	90	-0.3
104	90	0.5
106	90	-2.6
108	90	-1.4
110	90	1.4
112	90	0.9
114	90	-0.1
116	90	1.4
118	90	2.4
120	90	1.9
122	90	1.8
124	90	2.6
126	90	2.6
128	90	2.6
130	90	3
132	90	3.2
134	90	2.8
136	90	3.3
138	90	4.5
140	90	4.8
142	90	3.7
144	90	2.7
146	90	4
148	90	5.6
150	90	5.9
152	90	4.9
154	90	3.6
156	90	3.9
158	90	5.3
160	90	6.4
162	90	6.5
164	90	6
166	90	5.4
168	90	5.2
170	90	5.4
172	90	5.7
174	90	5.9
176	90	6
178	90	5.9
180	90	5.7
-180	92	6
-178	92	5.7
-176	92	5.3

-174	92	5.4
-172	92	6
-170	92	6.5
-168	92	6.2
-166	92	5.1
-164	92	3.6
-162	92	3.4
-160	92	4.8
-158	92	5.6
-156	92	5.2
-154	92	3.5
-152	92	2.5
-150	92	3.7
-148	92	4.6
-146	92	4.1
-144	92	3
-142	92	2.9
-140	92	3.2
-138	92	2.6
-136	92	2
-134	92	2.5
-132	92	2.6
-130	92	1.4
-128	92	1.2
-126	92	2.1
-124	92	1.5
-122	92	-0.2
-120	92	0.8
-118	92	1.4
-116	92	-1.5
-114	92	-3
-112	92	0.8
-110	92	0.1
-108	92	-6.9
-106	92	-1.5
-104	92	1.2
-102	92	-3.2
-100	92	-8
-98	92	0.2
-96	92	-0.9
-94	92	-22.8
-92	92	-1.8
-90	92	0.6
-88	92	-5.2
-86	92	-5.1
-84	92	0.5
-82	92	-1.1
-80	92	-6
-78	92	-0.3
-76	92	0.9
-74	92	-1.9
-72	92	-1.1
-70	92	1.6
-68	92	1.3
-66	92	0.1
-64	92	1.3
-62	92	2.1
-60	92	1.6
-58	92	1.7
-56	92	2.4
-54	92	2.4
-52	92	2.4
-50	92	3.2
-48	92	3.6
-46	92	3.1
-44	92	3.3
-42	92	4.6
-40	92	5.1
-38	92	4.2
-36	92	2.9
-34	92	3.9
-32	92	5.5
-30	92	6
-28	92	5.2
-26	92	3.8
-24	92	3.8
-22	92	5.2
-20	92	6.3
-18	92	6.6
-16	92	6.2
-14	92	5.7
-12	92	5.5
-10	92	5.7
-8	92	5.9
-6	92	6.1
-4	92	6.2
-2	92	6.2
0	92	6
2	92	5.6
4	92	5.3
6	92	5.3
8	92	5.9
10	92	6.4
12	92	6.2
14	92	5.1
16	92	3.6
18	92	3.5
20	92	4.7
22	92	5.6
24	92	5.2
26	92	3.6
28	92	2.6
30	92	3.7
32	92	4.6
34	92	4.1
36	92	3
38	92	2.9
40	92	3.1
42	92	2.5
44	92	1.9
46	92	2.5
48	92	2.7
50	92	1.6
52	92	1.2
54	92	2.1
56	92	1.6
58	92	-0.2
60	92	0.8
62	92	1.4

64	92	-1.5
66	92	-2.8
68	92	0.8
70	92	9.77E-15
72	92	-6.8
74	92	-1.5
76	92	1.1
78	92	-3.4
80	92	-7.9
82	92	0.1
84	92	-1
86	92	-21.9
88	92	-2.1
90	92	0.3
92	92	-5.5
94	92	-5
96	92	0.5
98	92	-1.1
100	92	-5.9
102	92	-0.4
104	92	0.9
106	92	-1.7
108	92	-1.1
110	92	1.6
112	92	1.4
114	92	0.3
116	92	1.3
118	92	2.1
120	92	1.6
122	92	1.6
124	92	2.4
126	92	2.4
128	92	2.4
130	92	3.2
132	92	3.6
134	92	3.2
136	92	3.3
138	92	4.5
140	92	5
142	92	4.2
144	92	3
146	92	3.9
148	92	5.5
150	92	6
152	92	5.2
154	92	3.9
156	92	3.8
158	92	5.1
160	92	6.3
162	92	6.6
164	92	6.2
166	92	5.7
168	92	5.5
170	92	5.6
172	92	5.8
174	92	6.1
176	92	6.2
178	92	6.2
180	92	6
-180	94	6
-178	94	5.6
-176	94	5.3
-174	94	5.4
-172	94	6.1
-170	94	6.7
-168	94	6.5
-166	94	5.5
-164	94	4
-162	94	3.8
-160	94	5.1
-158	94	5.9
-156	94	5.5
-154	94	3.8
-152	94	2.7
-150	94	3.7
-148	94	4.7
-146	94	4.3
-144	94	3.2
-142	94	2.9
-140	94	3.1
-138	94	2.6
-136	94	2.2
-134	94	2.7
-132	94	2.5
-130	94	1.3
-128	94	1.1
-126	94	2.2
-124	94	1.6
-122	94	-0.2
-120	94	0.9
-118	94	1.8
-116	94	-0.7
-114	94	-2.7
-112	94	0.6
-110	94	0.1
-108	94	-5.7
-106	94	-1.8
-104	94	0.8
-102	94	-3.7
-100	94	-7.5
-98	94	0.3
-96	94	-0.8
-94	94	-20.8
-92	94	-1.7
-90	94	0.8
-88	94	-4.8
-86	94	-5.5
-84	94	0.7
-82	94	-0.8
-80	94	-7
-78	94	-0.5
-76	94	1.3
-74	94	-1.2
-72	94	-1.1
-70	94	1.6
-68	94	1.5
-66	94	0.5
-64	94	1.7
-62	94	2.5

-60	94	1.9
-58	94	1.9
-56	94	2.8
-54	94	2.7
-52	94	2.3
-50	94	2.9
-48	94	3.5
-46	94	3.4
-44	94	3.5
-42	94	4.6
-40	94	5.3
-38	94	4.6
-36	94	3.4
-34	94	4
-32	94	5.7
-30	94	6.4
-28	94	5.8
-26	94	4.6
-24	94	4.2
-22	94	5.1
-20	94	6.2
-18	94	6.5
-16	94	6.1
-14	94	5.5
-12	94	5.3
-10	94	5.4
-8	94	5.7
-6	94	6
-4	94	6.2
-2	94	6.1
0	94	5.9
2	94	5.6
4	94	5.3
6	94	5.5
8	94	6.1
10	94	6.7
12	94	6.5
14	94	5.5
16	94	4.1
18	94	4
20	94	5.1
22	94	5.9
24	94	5.4
26	94	3.9
28	94	2.8
30	94	3.7
32	94	4.6
34	94	4.3
36	94	3.2
38	94	2.9
40	94	3.1
42	94	2.6
44	94	2.1
46	94	2.6
48	94	2.6
50	94	1.5
52	94	1.3
54	94	2.2
56	94	1.6
58	94	-0.1
60	94	0.8
62	94	1.7
64	94	-0.8
66	94	-2.6
68	94	0.7
70	94	0.1
72	94	-5.9
74	94	-1.9
76	94	0.7
78	94	-3.8
80	94	-7.3
82	94	0.4
84	94	-0.7
86	94	-19.4
88	94	-1.9
90	94	0.7
92	94	-4.8
94	94	-5.7
96	94	0.5
98	94	-0.9
100	94	-7
102	94	-0.7
104	94	1.2
106	94	-1.1
108	94	-1
110	94	1.7
112	94	1.7
114	94	0.7
116	94	1.6
118	94	2.4
120	94	1.9
122	94	1.8
124	94	2.6
126	94	2.6
128	94	2.3
130	94	2.9
132	94	3.5
134	94	3.4
136	94	3.5
138	94	4.6
140	94	5.2
142	94	4.6
144	94	3.4
146	94	4
148	94	5.6
150	94	6.4
152	94	5.8
154	94	4.6
156	94	4.1
158	94	5.1
160	94	6.2
162	94	6.6
164	94	6.2
166	94	5.5
168	94	5.2
170	94	5.4
172	94	5.6
174	94	6
176	94	6.2

178	94	6.2
180	94	6
-180	96	5.5
-178	96	5
-176	96	4.7
-174	96	5
-172	96	5.9
-170	96	6.6
-168	96	6.6
-166	96	5.5
-164	96	4.2
-162	96	4.1
-160	96	5.3
-158	96	6.1
-156	96	5.6
-154	96	3.9
-152	96	2.9
-150	96	4.1
-148	96	5
-146	96	4.6
-144	96	3.2
-142	96	2.7
-140	96	3
-138	96	2.6
-136	96	2.2
-134	96	2.6
-132	96	2.6
-130	96	1.7
-128	96	1.7
-126	96	2.6
-124	96	1.9
-122	96	1.78E-15
-120	96	1.1
-118	96	2.1
-116	96	-0.4
-114	96	-3
-112	96	0.4
-110	96	0.2
-108	96	-5.6
-106	96	-2.2
-104	96	0.7
-102	96	-3.5
-100	96	-7.3
-98	96	0.4
-96	96	-0.4
-94	96	-17.4
-92	96	-2
-90	96	1
-88	96	-3.9
-86	96	-6.2
-84	96	0.6
-82	96	-0.4
-80	96	-6.7
-78	96	-1.3
-76	96	0.8
-74	96	-1.9
-72	96	-1.7
-70	96	1.5
-68	96	1.6
-66	96	0.4
-64	96	1.6
-62	96	2.6
-60	96	2
-58	96	1.7
-56	96	2.6
-54	96	2.8
-52	96	2.3
-50	96	2.6
-48	96	3.3
-46	96	3.2
-44	96	3.2
-42	96	4.3
-40	96	5.2
-38	96	4.7
-36	96	3.4
-34	96	3.5
-32	96	5.2
-30	96	6.2
-28	96	5.9
-26	96	4.8
-24	96	4
-22	96	4.7
-20	96	5.8
-18	96	6.2
-16	96	5.8
-14	96	5
-12	96	4.6
-10	96	4.8
-8	96	5.2
-6	96	5.7
-4	96	5.9
-2	96	5.8
0	96	5.4
2	96	5
4	96	4.8
6	96	5.1
8	96	6
10	96	6.6
12	96	6.6
14	96	5.6
16	96	4.3
18	96	4.2
20	96	5.4
22	96	6.1
24	96	5.6
26	96	3.9
28	96	2.9
30	96	4
32	96	5
34	96	4.6
36	96	3.3
38	96	2.6
40	96	2.8
42	96	2.6
44	96	2.3
46	96	2.7
48	96	2.8
50	96	1.8
52	96	1.8

54	96	2.6
56	96	2
58	96	0.2
60	96	1.1
62	96	2.1
64	96	-0.3
66	96	-3
68	96	0.3
70	96	0.2
72	96	-5.3
74	96	-2.3
76	96	0.6
78	96	-3.5
80	96	-7.2
82	96	0.4
84	96	-0.5
86	96	-17.8
88	96	-2.1
90	96	0.9
92	96	-4.1
94	96	-6.2
96	96	0.6
98	96	-0.3
100	96	-7
102	96	-1.4
104	96	0.8
106	96	-1.8
108	96	-1.8
110	96	1.5
112	96	1.7
114	96	0.4
116	96	1.6
118	96	2.6
120	96	2
122	96	1.7
124	96	2.6
126	96	2.9
128	96	2.4
130	96	2.6
132	96	3.2
134	96	3.2
136	96	3.2
138	96	4.3
140	96	5.1
142	96	4.6
144	96	3.3
146	96	3.5
148	96	5.2
150	96	6.3
152	96	6
154	96	4.7
156	96	3.9
158	96	4.7
160	96	5.8
162	96	6.2
164	96	5.8
166	96	5.1
168	96	4.6
170	96	4.8
172	96	5.2
174	96	5.7
176	96	5.9
178	96	5.9
180	96	5.5
-180	98	5.7
-178	98	5
-176	98	4.6
-174	98	4.9
-172	98	5.8
-170	98	6.5
-168	98	6.3
-166	98	5.2
-164	98	3.9
-162	98	4.1
-160	98	5.2
-158	98	5.7
-156	98	4.9
-154	98	3.1
-152	98	2.5
-150	98	4
-148	98	4.8
-146	98	4.1
-144	98	2.6
-142	98	2.6
-140	98	3.2
-138	98	2.8
-136	98	2.3
-134	98	2.7
-132	98	2.7
-130	98	1.7
-128	98	1.7
-126	98	2.7
-124	98	2
-122	98	0.1
-120	98	1.2
-118	98	2.1
-116	98	-0.8
-114	98	-3.7
-112	98	0.5
-110	98	0.4
-108	98	-6.1
-106	98	-2.3
-104	98	1
-102	98	-2.5
-100	98	-8
-98	98	0.1
-96	98	-0.4
-94	98	-15.2
-92	98	-2.5
-90	98	0.9
-88	98	-3.5
-86	98	-6.8
-84	98	0.4
-82	98	-0.2
-80	98	-6.2
-78	98	-1.4
-76	98	0.9
-74	98	-1.7
-72	98	-2.3

-70	98	1.3
-68	98	1.5
-66	98	-0.3
-64	98	0.9
-62	98	2.5
-60	98	2
-58	98	1.4
-56	98	2.3
-54	98	3
-52	98	2.7
-50	98	2.7
-48	98	3.2
-46	98	2.8
-44	98	2.5
-42	98	3.7
-40	98	4.9
-38	98	4.7
-36	98	3.2
-34	98	2.6
-32	98	4.4
-30	98	5.9
-28	98	6
-26	98	5
-24	98	4
-22	98	4.3
-20	98	5.5
-18	98	6.2
-16	98	6
-14	98	5.3
-12	98	4.7
-10	98	4.8
-8	98	5.3
-6	98	5.9
-4	98	6.2
-2	98	6.1
0	98	5.6
2	98	5
4	98	4.6
6	98	5
8	98	5.8
10	98	6.5
12	98	6.3
14	98	5.3
16	98	4.1
18	98	4.1
20	98	5.2
22	98	5.7
24	98	5
26	98	3.2
28	98	2.4
30	98	3.8
32	98	4.7
34	98	4.1
36	98	2.7
38	98	2.5
40	98	3.1
42	98	2.8
44	98	2.4
46	98	2.8
48	98	2.8
50	98	1.9
52	98	1.8
54	98	2.6
56	98	1.9
58	98	0.2
60	98	1.1
62	98	1.9
64	98	-0.8
66	98	-3.6
68	98	0.4
70	98	0.3
72	98	-5.8
74	98	-2.3
76	98	1
78	98	-2.5
80	98	-7.9
82	98	0.1
84	98	-0.3
86	98	-14.6
88	98	-2.6
90	98	0.9
92	98	-3.4
94	98	-6.4
96	98	0.6
98	98	5.33E-15
100	98	-6.4
102	98	-1.5
104	98	0.9
106	98	-1.7
108	98	-2.5
110	98	1.2
112	98	1.5
114	98	-0.1
116	98	1
118	98	2.4
120	98	2
122	98	1.4
124	98	2.4
126	98	3
128	98	2.6
130	98	2.6
132	98	3.1
134	98	2.9
136	98	2.5
138	98	3.6
140	98	4.8
142	98	4.6
144	98	3.1
146	98	2.6
148	98	4.5
150	98	6
152	98	6
154	98	5
156	98	4
158	98	4.4
160	98	5.6
162	98	6.3
164	98	6
166	98	5.3

168	98	4.7
170	98	4.7
172	98	5.3
174	98	5.9
176	98	6.3
178	98	6.2
180	98	5.7
-180	100	6
-178	100	5.2
-176	100	4.8
-174	100	5.2
-172	100	5.9
-170	100	6.4
-168	100	6.1
-166	100	4.9
-164	100	3.9
-162	100	4.3
-160	100	5.3
-158	100	5.4
-156	100	4.3
-154	100	2.5
-152	100	2.3
-150	100	3.7
-148	100	4.2
-146	100	3.2
-144	100	2.2
-142	100	2.7
-140	100	3.1
-138	100	2.6
-136	100	2.2
-134	100	2.9
-132	100	2.9
-130	100	1.6
-128	100	1.6
-126	100	2.6
-124	100	1.8
-122	100	-0.2
-120	100	0.9
-118	100	1.6
-116	100	-1.4
-114	100	-3.2
-112	100	1
-110	100	0.5
-108	100	-6.5
-106	100	-1.8
-104	100	1.5
-102	100	-2.1
-100	100	-8.8
-98	100	0.2
-96	100	0.1
-94	100	-12.1
-92	100	-3.2
-90	100	0.7
-88	100	-3.3
-86	100	-7
-84	100	0.3
-82	100	-1.33E-15
-80	100	-5.8
-78	100	-1
-76	100	1.6
-74	100	-0.7
-72	100	-2.7
-70	100	1.1
-68	100	1.8
-66	100	-4.44E-16
-64	100	0.8
-62	100	2.6
-60	100	2.4
-58	100	1.5
-56	100	2.3
-54	100	3.1
-52	100	2.8
-50	100	2.9
-48	100	3.6
-46	100	3.5
-44	100	2.8
-42	100	3.5
-40	100	4.9
-38	100	5.2
-36	100	4
-34	100	2.6
-32	100	3.9
-30	100	5.8
-28	100	6.5
-26	100	5.9
-24	100	4.7
-22	100	4.4
-20	100	5.3
-18	100	6.2
-16	100	6.3
-14	100	5.8
-12	100	5.1
-10	100	5
-8	100	5.5
-6	100	6.2
-4	100	6.6
-2	100	6.5
0	100	5.9
2	100	5.2
4	100	4.9
6	100	5.2
8	100	6
10	100	6.4
12	100	6
14	100	4.9
16	100	3.9
18	100	4.4
20	100	5.3
22	100	5.4
24	100	4.3
26	100	2.5
28	100	2.3
30	100	3.7
32	100	4.3
34	100	3.4
36	100	2.2
38	100	2.5
40	100	3.1
42	100	2.7

44	100	2.4
46	100	2.9
48	100	2.9
50	100	1.7
52	100	1.6
54	100	2.4
56	100	1.7
58	100	-0.1
60	100	0.8
62	100	1.5
64	100	-1.5
66	100	-3.6
68	100	0.8
70	100	0.5
72	100	-6.1
74	100	-2
76	100	1.4
78	100	-2
80	100	-9.1
82	100	0.1
84	100	0.2
86	100	-11.8
88	100	-3.2
90	100	0.9
92	100	-3.1
94	100	-7.3
96	100	0.5
98	100	0.2
100	100	-5.8
102	100	-1.2
104	100	1.6
106	100	-0.6
108	100	-2.6
110	100	1.1
112	100	1.8
114	100	-9.77E-15
116	100	0.7
118	100	2.6
120	100	2.4
122	100	1.5
124	100	2.2
126	100	2.9
128	100	2.7
130	100	2.9
132	100	3.6
134	100	3.6
136	100	2.8
138	100	3.4
140	100	4.9
142	100	5.2
144	100	3.9
146	100	2.5
148	100	3.9
150	100	5.8
152	100	6.5
154	100	5.9
156	100	4.8
158	100	4.5
160	100	5.4
162	100	6.2
164	100	6.3
166	100	5.7
168	100	5
170	100	4.9
172	100	5.4
174	100	6.1
176	100	6.6
178	100	6.5
180	100	6
-180	102	5.7
-178	102	5
-176	102	4.8
-174	102	5.3
-172	102	6
-170	102	6.3
-168	102	5.9
-166	102	4.9
-164	102	4.4
-162	102	5.1
-160	102	5.8
-158	102	5.5
-156	102	4.1
-154	102	2.5
-152	102	2.8
-150	102	3.9
-148	102	4.1
-146	102	3.3
-144	102	2.7
-142	102	3.1
-140	102	3.2
-138	102	2.4
-136	102	2.3
-134	102	3
-132	102	2.7
-130	102	1.4
-128	102	1.8
-126	102	2.9
-124	102	1.8
-122	102	-0.2
-120	102	1.1
-118	102	1.8
-116	102	-1.2
-114	102	-2.5
-112	102	1.3
-110	102	0.7
-108	102	-5.7
-106	102	-1.3
-104	102	1.7
-102	102	-2
-100	102	-9.4
-98	102	0.4
-96	102	0.5
-94	102	-10.8
-92	102	-3.3
-90	102	1.1
-88	102	-2.6
-86	102	-8.1
-84	102	0.5
-82	102	0.5

-80	102	-6
-78	102	-1.5
-76	102	1.9
-74	102	0.2
-72	102	-2.3
-70	102	1.4
-68	102	2.5
-66	102	0.8
-64	102	0.8
-62	102	2.7
-60	102	2.6
-58	102	1.7
-56	102	2.3
-54	102	3.2
-52	102	2.8
-50	102	2.7
-48	102	3.7
-46	102	4
-44	102	3.3
-42	102	3.4
-40	102	4.8
-38	102	5.6
-36	102	4.7
-34	102	2.9
-32	102	3.2
-30	102	5.3
-28	102	6.7
-26	102	6.6
-24	102	5.6
-22	102	4.5
-20	102	4.7
-18	102	5.5
-16	102	5.9
-14	102	5.5
-12	102	4.8
-10	102	4.4
-8	102	4.8
-6	102	5.6
-4	102	6.1
-2	102	6.2
0	102	5.7
2	102	5.1
4	102	4.8
6	102	5.3
8	102	6
10	102	6.3
12	102	5.9
14	102	4.9
16	102	4.4
18	102	5.1
20	102	5.8
22	102	5.6
24	102	4.2
26	102	2.6
28	102	2.8
30	102	4
32	102	4.2
34	102	3.4
36	102	2.6
38	102	3
40	102	3.1
42	102	2.4
44	102	2.3
46	102	3
48	102	2.8
50	102	1.6
52	102	1.7
54	102	2.7
56	102	1.8
58	102	-0.1
60	102	1.1
62	102	1.8
64	102	-1
66	102	-2.6
68	102	1.1
70	102	0.6
72	102	-5.7
74	102	-1.5
76	102	1.6
78	102	-1.9
80	102	-9.7
82	102	0.3
84	102	0.5
86	102	-10.4
88	102	-3.4
90	102	0.9
92	102	-2.8
94	102	-8
96	102	0.6
98	102	0.6
100	102	-6.1
102	102	-1.6
104	102	1.9
106	102	5.77E-15
108	102	-2.3
110	102	1.4
112	102	2.5
114	102	0.8
116	102	0.9
118	102	2.8
120	102	2.7
122	102	1.6
124	102	2.3
126	102	3.1
128	102	2.8
130	102	2.7
132	102	3.8
134	102	4.2
136	102	3.5
138	102	3.4
140	102	4.8
142	102	5.6
144	102	4.8
146	102	2.9
148	102	3.1
150	102	5.3
152	102	6.6
154	102	6.6
156	102	5.6

158	102	4.6
160	102	4.8
162	102	5.6
164	102	5.9
166	102	5.4
168	102	4.7
170	102	4.3
172	102	4.8
174	102	5.6
176	102	6.1
178	102	6.2
180	102	5.7
-180	104	4.9
-178	104	4.5
-176	104	4.5
-174	104	4.9
-172	104	5.5
-170	104	5.7
-168	104	5.3
-166	104	4.6
-164	104	4.7
-162	104	5.7
-160	104	6.3
-158	104	5.7
-156	104	4.1
-154	104	2.7
-152	104	3.3
-150	104	4.3
-148	104	4.3
-146	104	3.4
-144	104	2.7
-142	104	2.9
-140	104	2.8
-138	104	2.3
-136	104	2.6
-134	104	3.2
-132	104	2.7
-130	104	1.5
-128	104	2.2
-126	104	3.1
-124	104	1.9
-122	104	0.1
-120	104	1.7
-118	104	2.4
-116	104	-0.4
-114	104	-2
-112	104	1.3
-110	104	0.7
-108	104	-5.5
-106	104	-1.3
-104	104	1.7
-102	104	-1.9
-100	104	-8.6
-98	104	0.7
-96	104	0.9
-94	104	-9.6
-92	104	-3.3
-90	104	1.5
-88	104	-1.7
-86	104	-9.4
-84	104	0.4
-82	104	1.1
-80	104	-5.4
-78	104	-2.9
-76	104	1.7
-74	104	0.5
-72	104	-2.4
-70	104	1.1
-68	104	2.6
-66	104	1.1
-64	104	0.6
-62	104	2.6
-60	104	2.8
-58	104	1.6
-56	104	2
-54	104	3.1
-52	104	2.7
-50	104	1.9
-48	104	2.8
-46	104	3.7
-44	104	3.1
-42	104	2.6
-40	104	3.9
-38	104	5.2
-36	104	5.1
-34	104	3.4
-32	104	2.3
-30	104	4.2
-28	104	6.1
-26	104	6.7
-24	104	6
-22	104	4.8
-20	104	4.1
-18	104	4.5
-16	104	4.9
-14	104	4.8
-12	104	4.2
-10	104	3.8
-8	104	3.9
-6	104	4.5
-4	104	5.1
-2	104	5.2
0	104	4.9
2	104	4.4
4	104	4.4
6	104	4.9
8	104	5.5
10	104	5.7
12	104	5.3
14	104	4.7
16	104	4.7
18	104	5.6
20	104	6.3
22	104	5.8
24	104	4.3
26	104	2.8
28	104	3.2
30	104	4.3
32	104	4.4

34	104	3.4
36	104	2.6
38	104	2.7
40	104	2.8
42	104	2.4
44	104	2.7
46	104	3.2
48	104	2.7
50	104	1.6
52	104	2.2
54	104	3.1
56	104	1.9
58	104	0.2
60	104	1.8
62	104	2.5
64	104	-0.3
66	104	-2.3
68	104	1.3
70	104	0.8
72	104	-5.3
74	104	-1.5
76	104	1.7
78	104	-1.8
80	104	-8.7
82	104	0.6
84	104	0.9
86	104	-9.3
88	104	-3.5
90	104	1.4
92	104	-1.8
94	104	-9.8
96	104	0.3
98	104	1
100	104	-5.5
102	104	-2.9
104	104	1.7
106	104	0.4
108	104	-2.4
110	104	1.2
112	104	2.7
114	104	1.1
116	104	0.6
118	104	2.5
120	104	2.8
122	104	1.6
124	104	1.9
126	104	3
128	104	2.6
130	104	1.9
132	104	2.8
134	104	3.6
136	104	3.1
138	104	2.6
140	104	3.9
142	104	5.2
144	104	5.1
146	104	3.4
148	104	2.3
150	104	4.2
152	104	6.1
154	104	6.7
156	104	6.1
158	104	4.9
160	104	4.3
162	104	4.6
164	104	5
166	104	4.8
168	104	4.3
170	104	3.8
172	104	3.9
174	104	4.5
176	104	5.1
178	104	5.2
180	104	4.9
-180	106	5.2
-178	106	5.1
-176	106	5.2
-174	106	5.3
-172	106	5.2
-170	106	4.8
-168	106	4.1
-166	106	3.7
-164	106	4.4
-162	106	5.6
-160	106	6
-158	106	5.2
-156	106	3.5
-154	106	2.6
-152	106	3.5
-150	106	4.3
-148	106	3.8
-146	106	2.4
-144	106	1.6
-142	106	2
-140	106	2.2
-138	106	2
-136	106	2.4
-134	106	2.9
-132	106	2.3
-130	106	1.5
-128	106	2.4
-126	106	3.1
-124	106	1.7
-122	106	0.4
-120	106	2.2
-118	106	2.5
-116	106	-0.9
-114	106	-2.5
-112	106	1.4
-110	106	0.8
-108	106	-6.1
-106	106	-1.9
-104	106	1.6
-102	106	-1.8
-100	106	-8.5
-98	106	0.7
-96	106	1.1
-94	106	-8.4
-92	106	-3.7

-90	106	1.6
-88	106	-0.8
-86	106	-10.5
-84	106	-2.66E-15
-82	106	1.5
-80	106	-3.6
-78	106	-4.1
-76	106	1.1
-74	106	0.5
-72	106	-3
-70	106	0.3
-68	106	2.4
-66	106	1.2
-64	106	0.3
-62	106	2.4
-60	106	3
-58	106	1.6
-56	106	1.2
-54	106	2.6
-52	106	2.7
-50	106	1.9
-48	106	2.1
-46	106	3.1
-44	106	2.9
-42	106	1.8
-40	106	2.7
-38	106	4.7
-36	106	5.4
-34	106	4.4
-32	106	2.6
-30	106	3
-28	106	5.2
-26	106	6.6
-24	106	6.6
-22	106	5.7
-20	106	4.7
-18	106	4.6
-16	106	5.1
-14	106	5.5
-12	106	5.5
-10	106	5.2
-8	106	5
-6	106	5.1
-4	106	5.3
-2	106	5.4
0	106	5.2
2	106	5.1
4	106	5.2
6	106	5.3
8	106	5.3
10	106	4.9
12	106	4.1
14	106	3.6
16	106	4.3
18	106	5.5
20	106	6
22	106	5.3
24	106	3.7
26	106	2.6
28	106	3.5
30	106	4.3
32	106	3.9
34	106	2.6
36	106	1.7
38	106	2
40	106	2.1
42	106	2
44	106	2.4
46	106	2.9
48	106	2.3
50	106	1.5
52	106	2.5
54	106	3.1
56	106	1.7
58	106	0.3
60	106	2.2
62	106	2.6
64	106	-0.6
66	106	-2.6
68	106	1.2
70	106	0.7
72	106	-5.7
74	106	-1.8
76	106	1.5
78	106	-1.9
80	106	-8.4
82	106	0.6
84	106	1.1
86	106	-8.5
88	106	-3.8
90	106	1.6
92	106	-0.9
94	106	-10.8
96	106	1.04E-13
98	106	1.5
100	106	-3.7
102	106	-4.2
104	106	1.2
106	106	0.6
108	106	-3
110	106	0.3
112	106	2.4
114	106	1.2
116	106	0.2
118	106	2.3
120	106	3
122	106	1.6
124	106	1.2
126	106	2.5
128	106	2.7
130	106	1.8
132	106	2
134	106	3.1
136	106	2.9
138	106	1.9
140	106	2.6
142	106	4.6
144	106	5.3
146	106	4.4

148	106	2.6
150	106	3
152	106	5.2
154	106	6.6
156	106	6.6
158	106	5.7
160	106	4.7
162	106	4.6
164	106	5.1
166	106	5.5
168	106	5.5
170	106	5.2
172	106	5
174	106	5.1
176	106	5.3
178	106	5.4
180	106	5.2
-180	108	6
-178	108	6.3
-176	108	6.6
-174	108	6.4
-172	108	5.8
-170	108	4.7
-168	108	3.7
-166	108	3.7
-164	108	4.8
-162	108	5.7
-160	108	5.7
-158	108	4.5
-156	108	2.9
-154	108	2.9
-152	108	4
-150	108	4.2
-148	108	3
-146	108	1.4
-144	108	1.3
-142	108	2
-140	108	2.1
-138	108	1.8
-136	108	2.1
-134	108	2.2
-132	108	1.5
-130	108	1.1
-128	108	2.3
-126	108	2.7
-124	108	1.1
-122	108	-4.44E-16
-120	108	1.9
-118	108	1.9
-116	108	-2.3
-114	108	-3.1
-112	108	1.2
-110	108	0.4
-108	108	-7.2
-106	108	-1.6
-104	108	1.8
-102	108	-1.4
-100	108	-9.6
-98	108	0.1
-96	108	0.8
-94	108	-8.1
-92	108	-4.2
-90	108	1.5
-88	108	-0.5
-86	108	-9.8
-84	108	-0.2
-82	108	1.7
-80	108	-2.4
-78	108	-4.4
-76	108	1
-74	108	1
-72	108	-2.5
-70	108	-0.3
-68	108	2.3
-66	108	1.4
-64	108	-0.1
-62	108	2
-60	108	3.1
-58	108	2.1
-56	108	1.2
-54	108	2.4
-52	108	3.1
-50	108	2.5
-48	108	2.5
-46	108	3.5
-44	108	3.8
-42	108	2.7
-40	108	2.3
-38	108	4.2
-36	108	5.7
-34	108	5.6
-32	108	4.1
-30	108	3
-28	108	4.5
-26	108	6.3
-24	108	7
-22	108	6.5
-20	108	5.5
-18	108	5.1
-16	108	5.5
-14	108	6.2
-12	108	6.5
-10	108	6.4
-8	108	6
-6	108	5.7
-4	108	5.7
-2	108	5.8
0	108	6
2	108	6.3
4	108	6.6
6	108	6.5
8	108	5.8
10	108	4.8
12	108	3.7
14	108	3.7
16	108	4.7
18	108	5.7
20	108	5.7
22	108	4.5

24	108	2.9
26	108	2.9
28	108	4
30	108	4.2
32	108	3.1
34	108	1.5
36	108	1.3
38	108	2.1
40	108	2.2
42	108	1.8
44	108	1.9
46	108	2
48	108	1.4
50	108	1.1
52	108	2.3
54	108	2.5
56	108	0.8
58	108	-0.1
60	108	1.9
62	108	1.8
64	108	-2.4
66	108	-2.8
68	108	1.3
70	108	0.3
72	108	-7.1
74	108	-1.5
76	108	1.7
78	108	-1.6
80	108	-9.3
82	108	0.3
84	108	1
86	108	-7.7
88	108	-4.4
90	108	1.6
92	108	-0.3
94	108	-10
96	108	-0.5
98	108	1.7
100	108	-2.4
102	108	-4.7
104	108	1
106	108	1
108	108	-2.5
110	108	-0.3
112	108	2.3
114	108	1.5
116	108	-0.1
118	108	1.9
120	108	3.1
122	108	2.1
124	108	1.1
126	108	2.4
128	108	3.1
130	108	2.4
132	108	2.4
134	108	3.6
136	108	3.9
138	108	2.8
140	108	2.3
142	108	4.2
144	108	5.7
146	108	5.6
148	108	4
150	108	3
152	108	4.5
154	108	6.3
156	108	6.9
158	108	6.4
160	108	5.5
162	108	5.1
164	108	5.5
166	108	6.2
168	108	6.5
170	108	6.3
172	108	6
174	108	5.7
176	108	5.6
178	108	5.8
180	108	6
-180	110	5.1
-178	110	5.9
-176	110	6.3
-174	110	6.2
-172	110	5.5
-170	110	4.4
-168	110	3.9
-166	110	4.5
-164	110	5.5
-162	110	6
-160	110	5.6
-158	110	4.3
-156	110	3.5
-154	110	4.1
-152	110	4.8
-150	110	4.5
-148	110	3.2
-146	110	2.3
-144	110	2.6
-142	110	3
-140	110	2.6
-138	110	2.2
-136	110	2.3
-134	110	2.1
-132	110	1.3
-130	110	1.3
-128	110	2.4
-126	110	2.2
-124	110	0.2
-122	110	-0.3
-120	110	1.6
-118	110	1
-116	110	-3.6
-114	110	-2
-112	110	1.6
-110	110	-9.68E-14
-108	110	-7.9
-106	110	-0.9
-104	110	2
-102	110	-1.3

-100	110	-9.9
-98	110	0.1
-96	110	0.9
-94	110	-7.5
-92	110	-4.9
-90	110	1.3
-88	110	-0.4
-86	110	-9.3
-84	110	-0.7
-82	110	1.7
-80	110	-2
-78	110	-4.7
-76	110	1.1
-74	110	1.5
-72	110	-2
-70	110	-0.9
-68	110	2.1
-66	110	1.6
-64	110	-0.4
-62	110	1.2
-60	110	3
-58	110	2.5
-56	110	1.4
-54	110	2.2
-52	110	3
-50	110	2.6
-48	110	2.4
-46	110	3.7
-44	110	4.6
-42	110	3.8
-40	110	2.4
-38	110	3.5
-36	110	5.5
-34	110	6.2
-32	110	5.1
-30	110	3.1
-28	110	3.1
-26	110	4.9
-24	110	6.1
-22	110	6.2
-20	110	5.3
-18	110	4.5
-16	110	4.4
-14	110	5.1
-12	110	5.7
-10	110	5.8
-8	110	5.3
-6	110	4.6
-4	110	4.2
-2	110	4.4
0	110	5.1
2	110	5.9
4	110	6.3
6	110	6.2
8	110	5.5
10	110	4.4
12	110	3.9
14	110	4.5
16	110	5.5
18	110	6
20	110	5.5
22	110	4.3
24	110	3.4
26	110	4
28	110	4.8
30	110	4.6
32	110	3.4
34	110	2.4
36	110	2.6
38	110	3
40	110	2.7
42	110	2.2
44	110	2.2
46	110	2.1
48	110	1.4
50	110	1.4
52	110	2.2
54	110	2
56	110	0.1
58	110	-0.3
60	110	1.4
62	110	0.7
64	110	-3.8
66	110	-2.1
68	110	1.4
70	110	-0.2
72	110	-7.7
74	110	-0.9
76	110	1.9
78	110	-1.5
80	110	-10
82	110	0.1
84	110	1
86	110	-7
88	110	-5.4
90	110	1.1
92	110	-0.5
94	110	-9.8
96	110	-0.8
98	110	1.7
100	110	-2
102	110	-5.2
104	110	1
106	110	1.6
108	110	-1.8
110	110	-1
112	110	2.2
114	110	1.7
116	110	-0.5
118	110	1.1
120	110	3
122	110	2.6
124	110	1.3
126	110	2.1
128	110	3.1
130	110	2.6
132	110	2.3
134	110	3.7
136	110	4.7

138	110	4
140	110	2.5
142	110	3.5
144	110	5.5
146	110	6.2
148	110	5.1
150	110	3
152	110	2.9
154	110	4.9
156	110	6.1
158	110	6.1
160	110	5.3
162	110	4.5
164	110	4.5
166	110	5.2
168	110	5.8
170	110	5.8
172	110	5.2
174	110	4.5
176	110	4.1
178	110	4.4
180	110	5.1
-180	112	4.2
-178	112	4.7
-176	112	5
-174	112	4.7
-172	112	4
-170	112	3.5
-168	112	3.9
-166	112	4.8
-164	112	5.3
-162	112	5.2
-160	112	4.3
-158	112	3.2
-156	112	3.3
-154	112	4.4
-152	112	5
-150	112	4.6
-148	112	3.7
-146	112	3.3
-144	112	3.6
-142	112	3.6
-140	112	2.9
-138	112	2.5
-136	112	2.7
-134	112	2.5
-132	112	1.7
-130	112	1.9
-128	112	2.7
-126	112	2.1
-124	112	0.1
-122	112	0.3
-120	112	1.9
-118	112	0.8
-116	112	-3.3
-114	112	-0.8
-112	112	1.9
-110	112	-0.1
-108	112	-7.1
-106	112	-0.4
-104	112	2.1
-102	112	-1.6
-100	112	-11
-98	112	1.33E-15
-96	112	0.9
-94	112	-6.7
-92	112	-5.9
-90	112	0.9
-88	112	-0.6
-86	112	-10.3
-84	112	-0.9
-82	112	1.9
-80	112	-1.3
-78	112	-6.4
-76	112	0.4
-74	112	1.6
-72	112	-1.5
-70	112	-1.7
-68	112	2
-66	112	2.2
-64	112	-0.1
-62	112	0.3
-60	112	2.5
-58	112	2.5
-56	112	1
-54	112	1.3
-52	112	2.5
-50	112	2.3
-48	112	1.5
-46	112	2.7
-44	112	4.3
-42	112	4.2
-40	112	2.7
-38	112	2.2
-36	112	4.4
-34	112	5.9
-32	112	5.8
-30	112	4
-28	112	1.7
-26	112	2.2
-24	112	4.1
-22	112	5.2
-20	112	5.3
-18	112	4.7
-16	112	4.1
-14	112	4.2
-12	112	4.8
-10	112	5.3
-8	112	5.1
-6	112	4.6
-4	112	4
-2	112	3.8
0	112	4.1
2	112	4.6
4	112	4.9
6	112	4.7
8	112	4
10	112	3.6
12	112	3.9

14	112	4.7
16	112	5.3
18	112	5.1
20	112	4.2
22	112	3.1
24	112	3.2
26	112	4.4
28	112	5
30	112	4.7
32	112	3.7
34	112	3.3
36	112	3.6
38	112	3.6
40	112	3
42	112	2.6
44	112	2.7
46	112	2.5
48	112	1.8
50	112	2
52	112	2.5
54	112	1.9
56	112	0.1
58	112	0.5
60	112	1.8
62	112	0.6
64	112	-3.2
66	112	-0.8
68	112	1.7
70	112	-0.4
72	112	-7.2
74	112	-0.3
76	112	2.1
78	112	-1.5
80	112	-11.1
82	112	-0.1
84	112	0.9
86	112	-6.4
88	112	-6.2
90	112	0.8
92	112	-0.5
94	112	-9.6
96	112	-1
98	112	1.7
100	112	-1.6
102	112	-6.6
104	112	0.6
106	112	1.8
108	112	-1.5
110	112	-1.8
112	112	2
114	112	2.3
116	112	-0.1
118	112	0.2
120	112	2.5
122	112	2.5
124	112	1
126	112	1.3
128	112	2.7
130	112	2.4
132	112	1.4
134	112	2.6
136	112	4.4
138	112	4.4
140	112	2.7
142	112	2.2
144	112	4.4
146	112	5.9
148	112	5.7
150	112	3.8
152	112	1.5
154	112	2.1
156	112	4.1
158	112	5.2
160	112	5.3
162	112	4.7
164	112	4.2
166	112	4.4
168	112	5
170	112	5.3
172	112	5.1
174	112	4.5
176	112	3.9
178	112	3.8
180	112	4.2
-180	114	5.4
-178	114	5.1
-176	114	4.8
-174	114	4.4
-172	114	4.2
-170	114	4.6
-168	114	5.2
-166	114	5.5
-164	114	5.2
-162	114	4
-160	114	2.5
-158	114	1.8
-156	114	2.7
-154	114	3.8
-152	114	4.1
-150	114	3.5
-148	114	2.7
-146	114	2.7
-144	114	3.2
-142	114	3
-140	114	2.4
-138	114	2.4
-136	114	2.7
-134	114	2.3
-132	114	1.6
-130	114	2
-128	114	2.8
-126	114	2
-124	114	0.3
-122	114	1.1
-120	114	2.4
-118	114	0.9
-116	114	-2.7
-114	114	-0.2
-112	114	1.9

-110	114	-0.7
-108	114	-7.3
-106	114	8.97E-14
-104	114	2.2
-102	114	-1.7
-100	114	-11.6
-98	114	4.00E-15
-96	114	1.1
-94	114	-5.9
-92	114	-6.4
-90	114	0.9
-88	114	8.88E-15
-86	114	-9.6
-84	114	-1.7
-82	114	2
-80	114	-0.4
-78	114	-8.1
-76	114	-0.5
-74	114	1.9
-72	114	-0.5
-70	114	-2.4
-68	114	1.6
-66	114	2.9
-64	114	1.1
-62	114	-0.1
-60	114	2.1
-58	114	2.8
-56	114	1.7
-54	114	1.1
-52	114	2.5
-50	114	2.8
-48	114	1.7
-46	114	1.8
-44	114	3.8
-42	114	4.7
-40	114	3.8
-38	114	1.8
-36	114	2.6
-34	114	5.1
-32	114	6.3
-30	114	5.8
-28	114	3.8
-26	114	1.9
-24	114	2.7
-22	114	4.6
-20	114	5.7
-18	114	5.9
-16	114	5.4
-14	114	5
-12	114	5.1
-10	114	5.6
-8	114	6
-6	114	6
-4	114	5.9
-2	114	5.6
0	114	5.3
2	114	5
4	114	4.7
6	114	4.4
8	114	4.3
10	114	4.6
12	114	5.2
14	114	5.5
16	114	5.2
18	114	4.1
20	114	2.7
22	114	1.9
24	114	2.7
26	114	3.8
28	114	4.1
30	114	3.6
32	114	2.8
34	114	2.7
36	114	3.1
38	114	3
40	114	2.5
42	114	2.4
44	114	2.6
46	114	2.2
48	114	1.7
50	114	2.1
52	114	2.6
54	114	1.7
56	114	0.2
58	114	1.1
60	114	2.3
62	114	0.9
64	114	-2.7
66	114	-0.4
68	114	1.8
70	114	-0.6
72	114	-7.2
74	114	-0.1
76	114	2.1
78	114	-1.6
80	114	-11.7
82	114	-0.1
84	114	1
86	114	-5.9
88	114	-6.4
90	114	1
92	114	0.2
94	114	-9.5
96	114	-1.9
98	114	1.9
100	114	-0.4
102	114	-8.2
104	114	-0.4
106	114	1.9
108	114	-0.5
110	114	-2.5
112	114	1.7
114	114	2.9
116	114	1
118	114	-0.3
120	114	2.1
122	114	2.9
124	114	1.6
126	114	0.9

128	114	2.4
130	114	2.8
132	114	1.7
134	114	1.7
136	114	3.8
138	114	4.8
140	114	3.9
142	114	1.8
144	114	2.6
146	114	5.2
148	114	6.3
150	114	5.7
152	114	3.7
154	114	1.8
156	114	2.7
158	114	4.7
160	114	5.8
162	114	6
164	114	5.5
166	114	5
168	114	5.1
170	114	5.6
172	114	5.9
174	114	6
176	114	5.9
178	114	5.7
180	114	5.4
-180	116	5.3
-178	116	4.9
-176	116	4.5
-174	116	4.4
-172	116	4.9
-170	116	5.7
-168	116	6.4
-166	116	6.4
-164	116	5.6
-162	116	4.3
-160	116	3.1
-158	116	3.2
-156	116	3.9
-154	116	4.1
-152	116	3.4
-150	116	2.2
-148	116	1.5
-146	116	1.9
-144	116	2.2
-142	116	1.9
-140	116	1.7
-138	116	2
-136	116	2.2
-134	116	1.6
-132	116	1.2
-130	116	2.2
-128	116	2.8
-126	116	1.6
-124	116	0
-122	116	1.3
-120	116	2.4
-118	116	0.5
-116	116	-3.2
-114	116	-0.2
-112	116	1.7
-110	116	-1.3
-108	116	-8.1
-106	116	0.1
-104	116	2
-102	116	-2.3
-100	116	-10.9
-98	116	0.6
-96	116	1.6
-94	116	-5
-92	116	-6.6
-90	116	1.4
-88	116	1.2
-86	116	-7.1
-84	116	-3
-82	116	2.1
-80	116	1
-78	116	-6.1
-76	116	-1.6
-74	116	2
-72	116	0.6
-70	116	-2.4
-68	116	1
-66	116	3
-64	116	2
-62	116	0.3
-60	116	2.2
-58	116	3.7
-56	116	3.1
-54	116	2
-52	116	2.8
-50	116	3.6
-48	116	2.8
-46	116	1.6
-44	116	3
-42	116	4.9
-40	116	4.9
-38	116	3
-36	116	1.2
-34	116	3.2
-32	116	5.6
-30	116	6.4
-28	116	5.7
-26	116	3.9
-24	116	2.4
-22	116	3.2
-20	116	4.8
-18	116	5.5
-16	116	5.3
-14	116	4.6
-12	116	4
-10	116	4
-8	116	4.5
-6	116	5.1
-4	116	5.5
-2	116	5.5
0	116	5.3
2	116	4.8

4	116	4.4
6	116	4.4
8	116	4.9
10	116	5.7
12	116	6.3
14	116	6.4
16	116	5.7
18	116	4.4
20	116	3.3
22	116	3.3
24	116	3.9
26	116	4.1
28	116	3.5
30	116	2.3
32	116	1.6
34	116	1.8
36	116	2
38	116	1.8
40	116	1.6
42	116	2
44	116	2.2
46	116	1.7
48	116	1.4
50	116	2.3
52	116	2.8
54	116	1.6
56	116	0.1
58	116	1.3
60	116	2.3
62	116	0.5
64	116	-3
66	116	-0.2
68	116	1.6
70	116	-1.4
72	116	-7.8
74	116	1.15E-14
76	116	1.9
78	116	-2.3
80	116	-10.9
82	116	0.3
84	116	1.4
86	116	-5.1
88	116	-6.8
90	116	1.3
92	116	1.1
94	116	-7.4
96	116	-3.1
98	116	2
100	116	0.8
102	116	-6.5
104	116	-1.6
106	116	2
108	116	0.6
110	116	-2.6
112	116	0.9
114	116	3
116	116	1.9
118	116	0.2
120	116	2.2
122	116	3.7
124	116	3
126	116	1.7
128	116	2.7
130	116	3.6
132	116	2.7
134	116	1.5
136	116	3.1
138	116	5
140	116	5.1
142	116	3
144	116	1
146	116	3.1
148	116	5.6
150	116	6.4
152	116	5.7
154	116	3.8
156	116	2.3
158	116	3.2
160	116	4.8
162	116	5.5
164	116	5.3
166	116	4.6
168	116	4
170	116	4.1
172	116	4.6
174	116	5.2
176	116	5.5
178	116	5.6
180	116	5.3
-180	118	4.1
-178	118	3.7
-176	118	3.3
-174	118	3.5
-172	118	4.1
-170	118	5
-168	118	5.5
-166	118	5.4
-164	118	4.6
-162	118	3.7
-160	118	3.5
-158	118	4.3
-156	118	4.9
-154	118	4.7
-152	118	3.6
-150	118	2.5
-148	118	2.3
-146	118	2.6
-144	118	2.4
-142	118	2
-140	118	2.1
-138	118	2.4
-136	118	2.1
-134	118	1.5
-132	118	1.9
-130	118	2.9
-128	118	2.8
-126	118	1
-124	118	-0.1
-122	118	1.6

-120	118	2.2
-118	118	-0.5
-116	118	-4.2
-114	118	-0.1
-112	118	1.3
-110	118	-2.5
-108	118	-7.7
-106	118	0.6
-104	118	2
-102	118	-2.8
-100	118	-9.8
-98	118	0.8
-96	118	1.8
-94	118	-4.6
-92	118	-6.8
-90	118	1.7
-88	118	1.9
-86	118	-4.7
-84	118	-3.7
-82	118	2.2
-80	118	2
-78	118	-3.5
-76	118	-3.1
-74	118	1.5
-72	118	1.2
-70	118	-1.9
-68	118	0.2
-66	118	2.9
-64	118	2.5
-62	118	0.6
-60	118	1.6
-58	118	3.5
-56	118	3.5
-54	118	2.2
-52	118	2.4
-50	118	3.6
-48	118	3.3
-46	118	1.4
-44	118	1.2
-42	118	3.8
-40	118	5.1
-38	118	4.4
-36	118	1.7
-34	118	-0.1
-32	118	2.8
-30	118	5.3
-28	118	6.1
-26	118	5.6
-24	118	4
-22	118	2.6
-20	118	2.9
-18	118	3.9
-16	118	4.4
-14	118	4
-12	118	3.1
-10	118	2.2
-8	118	2.2
-6	118	2.9
-4	118	3.8
-2	118	4.3
0	118	4.2
2	118	3.8
4	118	3.4
6	118	3.5
8	118	4.1
10	118	4.9
12	118	5.5
14	118	5.5
16	118	4.7
18	118	3.8
20	118	3.7
22	118	4.4
24	118	5
26	118	4.7
28	118	3.7
30	118	2.6
32	118	2.3
34	118	2.5
36	118	2.4
38	118	1.9
40	118	1.8
42	118	2.2
44	118	2.1
46	118	1.6
48	118	2
50	118	2.9
52	118	2.8
54	118	1.2
56	118	0.2
58	118	1.8
60	118	2.2
62	118	-0.6
64	118	-4
66	118	0.2
68	118	1.5
70	118	-2.2
72	118	-7.6
74	118	0.4
76	118	1.9
78	118	-2.8
80	118	-9.4
82	118	0.7
84	118	1.7
86	118	-4.7
88	118	-7.1
90	118	1.6
92	118	1.9
94	118	-4.6
96	118	-4.3
98	118	1.9
100	118	1.7
102	118	-3.8
104	118	-2.9
106	118	1.5
108	118	1
110	118	-2.2
112	118	0.2
114	118	2.9
116	118	2.5

118	118	0.5
120	118	1.7
122	118	3.6
124	118	3.5
126	118	2.1
128	118	2.4
130	118	3.7
132	118	3.4
134	118	1.5
136	118	1.3
138	118	3.8
140	118	5.1
142	118	4.3
144	118	1.5
146	118	-0.4
148	118	2.7
150	118	5.3
152	118	6.2
154	118	5.6
156	118	4
158	118	2.6
160	118	2.8
162	118	3.8
164	118	4.3
166	118	4
168	118	3.1
170	118	2.4
172	118	2.3
174	118	2.9
176	118	3.7
178	118	4.1
180	118	4.1
-180	120	4.4
-178	120	4.5
-176	120	4.6
-174	120	4.8
-172	120	4.8
-170	120	4.5
-168	120	3.8
-166	120	2.7
-164	120	1.5
-162	120	1.3
-160	120	2.6
-158	120	3.9
-156	120	4.5
-154	120	4.1
-152	120	3.2
-150	120	2.7
-148	120	3
-146	120	3.2
-144	120	3
-142	120	2.8
-140	120	2.8
-138	120	2.8
-136	120	2.3
-134	120	2
-132	120	2.7
-130	120	3.2
-128	120	2.3
-126	120	0.1
-124	120	0.3
-122	120	2.2
-120	120	1.9
-118	120	-2
-116	120	-4
-114	120	0.6
-112	120	1.2
-110	120	-3.9
-108	120	-6.5
-106	120	1.2
-104	120	2.2
-102	120	-2.8
-100	120	-9.1
-98	120	0.8
-96	120	1.7
-94	120	-4.5
-92	120	-7.4
-90	120	1.6
-88	120	2.2
-86	120	-3.1
-84	120	-4.5
-82	120	1.8
-80	120	2.3
-78	120	-2.2
-76	120	-3.7
-74	120	1.2
-72	120	1.5
-70	120	-1.6
-68	120	-0.9
-66	120	2.5
-64	120	2.9
-62	120	0.7
-60	120	0.2
-58	120	2.5
-56	120	3.1
-54	120	1.8
-52	120	1.1
-50	120	2.8
-48	120	3.7
-46	120	2.5
-44	120	0.1
-42	120	1.3
-40	120	4.2
-38	120	5.2
-36	120	4.3
-34	120	1.6
-32	120	4.44E-16
-30	120	3
-28	120	5.6
-26	120	6.5
-24	120	6.1
-22	120	4.9
-20	120	3.8
-18	120	3.7
-16	120	4.2
-14	120	4.6
-12	120	4.5
-10	120	4.1
-8	120	3.7

-6	120	3.6
-4	120	3.9
-2	120	4.3
0	120	4.5
2	120	4.6
4	120	4.7
6	120	4.9
8	120	4.9
10	120	4.5
12	120	3.9
14	120	2.8
16	120	1.7
18	120	1.6
20	120	2.8
22	120	4
24	120	4.5
26	120	4
28	120	3.1
30	120	2.6
32	120	2.9
34	120	3.2
36	120	3
38	120	2.7
40	120	2.8
42	120	2.7
44	120	2.3
46	120	2.1
48	120	2.7
50	120	3.2
52	120	2.3
54	120	0.3
56	120	0.5
58	120	2.2
60	120	1.9
62	120	-1.9
64	120	-3.9
66	120	0.6
68	120	1.3
70	120	-3.5
72	120	-6.1
74	120	1.2
76	120	2.1
78	120	-2.8
80	120	-8.6
82	120	0.8
84	120	1.7
86	120	-4.4
88	120	-7.7
90	120	1.4
92	120	2.1
94	120	-3.3
96	120	-4.7
98	120	1.7
100	120	2.1
102	120	-2.3
104	120	-3.6
106	120	1.2
108	120	1.5
110	120	-1.8
112	120	-0.9
114	120	2.5
116	120	2.8
118	120	0.6
120	120	0.2
122	120	2.6
124	120	3.1
126	120	1.7
128	120	1.1
130	120	3
132	120	3.9
134	120	2.6
136	120	-1.02E-14
138	120	1.2
140	120	4.2
142	120	5.3
144	120	4.4
146	120	1.5
148	120	-0.1
150	120	3
152	120	5.6
154	120	6.6
156	120	6.2
158	120	4.9
160	120	3.6
162	120	3.5
164	120	4.1
166	120	4.5
168	120	4.5
170	120	4.1
172	120	3.7
174	120	3.6
176	120	3.8
178	120	4.2
180	120	4.4
-180	122	4
-178	122	4.8
-176	122	5.6
-174	122	6.1
-172	122	6
-170	122	5.2
-168	122	3.8
-166	122	2.2
-164	122	1.8
-162	122	2.6
-160	122	3.6
-158	122	4
-156	122	3.6
-154	122	2.6
-152	122	1.8
-150	122	2.1
-148	122	2.8
-146	122	3.1
-144	122	3
-142	122	2.8
-140	122	2.8
-138	122	2.6
-136	122	2.3
-134	122	2.4
-132	122	3

-130	122	2.8
-128	122	1.3
-126	122	-0.2
-124	122	1.1
-122	122	2.3
-120	122	0.9
-118	122	-3.9
-116	122	-2.7
-114	122	1.4
-112	122	1
-110	122	-5
-108	122	-4.6
-106	122	1.8
-104	122	2.3
-102	122	-2.9
-100	122	-9.3
-98	122	0.5
-96	122	1.5
-94	122	-4.2
-92	122	-8.7
-90	122	1
-88	122	1.9
-86	122	-2.8
-84	122	-5.2
-82	122	1.5
-80	122	2.4
-78	122	-1.2
-76	122	-3.8
-74	122	1.1
-72	122	2.1
-70	122	-0.8
-68	122	-2.5
-66	122	1.6
-64	122	3
-62	122	1.5
-60	122	-0.5
-58	122	1.5
-56	122	3.1
-54	122	2.4
-52	122	0.5
-50	122	1.5
-48	122	3.6
-46	122	3.9
-44	122	2
-42	122	-8.88E-16
-40	122	2.4
-38	122	5.1
-36	122	5.9
-34	122	4.8
-32	122	2.1
-30	122	0.7
-28	122	3.2
-26	122	5.5
-24	122	6.2
-22	122	5.9
-20	122	4.8
-18	122	3.7
-16	122	3.4
-14	122	4
-12	122	4.6
-10	122	4.9
-8	122	4.8
-6	122	4.3
-4	122	3.8
-2	122	3.7
0	122	4.1
2	122	4.8
4	122	5.7
6	122	6.2
8	122	6.1
10	122	5.3
12	122	3.8
14	122	2.2
16	122	1.7
18	122	2.6
20	122	3.7
22	122	4.1
24	122	3.6
26	122	2.5
28	122	1.7
30	122	1.9
32	122	2.7
34	122	3
36	122	2.8
38	122	2.7
40	122	2.8
42	122	2.6
44	122	2.2
46	122	2.4
48	122	3
50	122	2.8
52	122	1.3
54	122	-0.1
56	122	1.3
58	122	2.5
60	122	1.1
62	122	-3.7
64	122	-2.5
66	122	1.4
68	122	1.1
70	122	-4.8
72	122	-4.3
74	122	1.8
76	122	2.3
78	122	-3
80	122	-9.1
82	122	0.6
84	122	1.5
86	122	-4.4
88	122	-8.6
90	122	1
92	122	1.9
94	122	-3
96	122	-5
98	122	1.5
100	122	2.4
102	122	-1.3
104	122	-3.7
106	122	1.2

108	122	2.1
110	122	-0.9
112	122	-2.5
114	122	1.6
116	122	2.9
118	122	1.3
120	122	-0.6
122	122	1.5
124	122	3.1
126	122	2.3
128	122	0.5
130	122	1.5
132	122	3.6
134	122	3.9
136	122	2.1
138	122	0.1
140	122	2.6
142	122	5.2
144	122	6
146	122	4.8
148	122	2
150	122	0.6
152	122	3.3
154	122	5.4
156	122	6.2
158	122	5.7
160	122	4.6
162	122	3.6
164	122	3.4
166	122	4
168	122	4.7
170	122	5
172	122	4.8
174	122	4.3
176	122	3.8
178	122	3.6
180	122	4
-180	124	3.8
-178	124	4.1
-176	124	4.6
-174	124	4.9
-172	124	4.7
-170	124	3.9
-168	124	3
-166	124	3.1
-164	124	4.2
-162	124	5
-160	124	5.2
-158	124	4.5
-156	124	3.1
-154	124	1.8
-152	124	1.8
-150	124	2.6
-148	124	3.1
-146	124	2.9
-144	124	2.3
-142	124	2
-140	124	2.1
-138	124	2.1
-136	124	2.1
-134	124	2.5
-132	124	2.8
-130	124	2.1
-128	124	0.6
-126	124	0.4
-124	124	1.8
-122	124	2.1
-120	124	-0.5
-118	124	-5
-116	124	-0.9
-114	124	1.9
-112	124	0.6
-110	124	-6.3
-108	124	-2.6
-106	124	2.4
-104	124	2.3
-102	124	-3.5
-100	124	-9.8
-98	124	0.5
-96	124	1.5
-94	124	-3.8
-92	124	-9.7
-90	124	0.6
-88	124	1.8
-86	124	-2.7
-84	124	-6.7
-82	124	1.2
-80	124	2.8
-78	124	-0.1
-76	124	-4.4
-74	124	0.7
-72	124	2.8
-70	124	0.9
-68	124	-3.1
-66	124	0.3
-64	124	3.1
-62	124	2.7
-60	124	0.3
-58	124	0.5
-56	124	2.9
-54	124	3.4
-52	124	1.7
-50	124	0.4
-48	124	2.4
-46	124	4
-44	124	3.5
-42	124	1.1
-40	124	0.1
-38	124	3.1
-36	124	5.3
-34	124	5.7
-32	124	4.3
-30	124	1.1
-28	124	-1.5
-26	124	0.9
-24	124	3.5
-22	124	4.8
-20	124	5.1
-18	124	4.8

-16	124	4.4
-14	124	4.4
-12	124	4.9
-10	124	5.4
-8	124	5.6
-6	124	5.3
-4	124	4.7
-2	124	4.1
0	124	3.8
2	124	4.1
4	124	4.6
6	124	4.9
8	124	4.7
10	124	4
12	124	3.1
14	124	3.1
16	124	4.1
18	124	5
20	124	5.2
22	124	4.6
24	124	3.1
26	124	1.8
28	124	1.7
30	124	2.4
32	124	2.9
34	124	2.7
36	124	2.2
38	124	1.9
40	124	2
42	124	2
44	124	2
46	124	2.4
48	124	2.7
50	124	2.1
52	124	0.6
54	124	0.4
56	124	1.9
58	124	2.2
60	124	-0.3
62	124	-4.9
64	124	-0.8
66	124	2
68	124	0.8
70	124	-6
72	124	-2.6
74	124	2.4
76	124	2.3
78	124	-3.6
80	124	-9.3
82	124	0.6
84	124	1.5
86	124	-4
88	124	-9.4
90	124	0.6
92	124	1.7
94	124	-3
96	124	-6.3
98	124	1.4
100	124	2.8
102	124	-0.1
104	124	-4.5
106	124	0.7
108	124	2.7
110	124	0.8
112	124	-3.3
114	124	0.2
116	124	3
118	124	2.6
120	124	0.2
122	124	0.4
124	124	2.8
126	124	3.3
128	124	1.7
130	124	0.3
132	124	2.3
134	124	4
136	124	3.6
138	124	1.2
140	124	0.3
142	124	3.3
144	124	5.5
146	124	5.9
148	124	4.4
150	124	1.2
152	124	-1.3
154	124	0.9
156	124	3.5
158	124	4.8
160	124	5.1
162	124	4.8
164	124	4.5
166	124	4.5
168	124	5
170	124	5.5
172	124	5.6
174	124	5.3
176	124	4.7
178	124	4.1
180	124	3.8
-180	126	5.4
-178	126	4.8
-176	126	3.8
-174	126	2.5
-172	126	1.3
-170	126	0.9
-168	126	1.8
-166	126	3.4
-164	126	4.7
-162	126	5.2
-160	126	4.7
-158	126	3.5
-156	126	2.2
-154	126	2.1
-152	126	3
-150	126	3.6
-148	126	3.3
-146	126	2.3
-144	126	1.6
-142	126	1.7

-140	126	2.1
-138	126	2.2
-136	126	2.2
-134	126	2.3
-132	126	2.2
-130	126	1.4
-128	126	0.6
-126	126	1.2
-124	126	2.2
-122	126	1.5
-120	126	-1.8
-118	126	-3.5
-116	126	0.6
-114	126	2.2
-112	126	-0.1
-110	126	-7.2
-108	126	-1.1
-106	126	2.8
-104	126	2.1
-102	126	-4.7
-100	126	-8.5
-98	126	0.8
-96	126	1.6
-94	126	-3.7
-92	126	-9.8
-90	126	0.5
-88	126	2
-86	126	-1.9
-84	126	-9.2
-82	126	0.6
-80	126	3.1
-78	126	1
-76	126	-4.9
-74	126	-0.5
-72	126	2.9
-70	126	2.3
-68	126	-1.5
-66	126	-1.1
-64	126	2.7
-62	126	3.5
-60	126	1.7
-58	126	-0.3
-56	126	1.7
-54	126	3.4
-52	126	2.9
-50	126	0.7
-48	126	0.5
-46	126	2.9
-44	126	3.9
-42	126	2.8
-40	126	-0.3
-38	126	-1
-36	126	2.6
-34	126	5
-32	126	5.6
-30	126	4.8
-28	126	2.6
-26	126	-0.1
-24	126	0.3
-22	126	2.9
-20	126	4.8
-18	126	5.5
-16	126	5.5
-14	126	5
-12	126	4.7
-10	126	4.8
-8	126	5.1
-6	126	5.4
-4	126	5.6
-2	126	5.7
0	126	5.4
2	126	4.7
4	126	3.7
6	126	2.5
8	126	1.3
10	126	0.9
12	126	1.9
14	126	3.5
16	126	4.8
18	126	5.2
20	126	4.8
22	126	3.5
24	126	2.2
26	126	2.1
28	126	3
30	126	3.6
32	126	3.3
34	126	2.3
36	126	1.4
38	126	1.5
40	126	1.9
42	126	2.1
44	126	2.2
46	126	2.2
48	126	2.1
50	126	1.4
52	126	0.7
54	126	1.2
56	126	2.1
58	126	1.3
60	126	-2.1
62	126	-3.5
64	126	0.7
66	126	2.2
68	126	-0.1
70	126	-7.1
72	126	-1.3
74	126	2.6
76	126	2
78	126	-5
80	126	-7.9
82	126	0.9
84	126	1.7
86	126	-3.7
88	126	-9.9
90	126	0.5
92	126	2
94	126	-2.1
96	126	-8.6

98	126	0.8
100	126	3.1
102	126	0.9
104	126	-5.1
106	126	-0.4
108	126	3
110	126	2.3
112	126	-1.7
114	126	-1.2
116	126	2.7
118	126	3.6
120	126	1.7
122	126	-0.4
124	126	1.5
126	126	3.3
128	126	2.8
130	126	0.6
132	126	0.5
134	126	2.9
136	126	4
138	126	2.9
140	126	1.69E-14
142	126	-0.7
144	126	2.8
146	126	5.2
148	126	5.8
150	126	5
152	126	2.8
154	126	0.1
156	126	0.3
158	126	2.9
160	126	4.7
162	126	5.5
164	126	5.5
166	126	5.1
168	126	4.8
170	126	4.8
172	126	5.1
174	126	5.4
176	126	5.7
178	126	5.7
180	126	5.4
-180	128	4.4
-178	128	3.9
-176	128	3
-174	128	2.1
-172	128	2
-170	128	2.8
-168	128	3.8
-166	128	4.5
-164	128	4.5
-162	128	3.8
-160	128	2.4
-158	128	1.1
-156	128	1.4
-154	128	2.7
-152	128	3.5
-150	128	3.4
-148	128	2.4
-146	128	1.4
-144	128	1.4
-142	128	2.2
-140	128	2.6
-138	128	2.4
-136	128	2.2
-134	128	2
-132	128	1.7
-130	128	1.1
-128	128	0.9
-126	128	1.6
-124	128	1.9
-122	128	0.4
-120	128	-2.8
-118	128	-1.7
-116	128	1.5
-114	128	1.8
-112	128	-1.7
-110	128	-7.2
-108	128	8.79E-14
-106	128	2.9
-104	128	1.5
-102	128	-7
-100	128	-6.1
-98	128	1.4
-96	128	1.9
-94	128	-3.4
-92	128	-10.1
-90	128	0.7
-88	128	2.6
-86	128	-0.5
-84	128	-11.2
-82	128	-0.6
-80	128	2.9
-78	128	1.8
-76	128	-4.1
-74	128	-2.7
-72	128	2.3
-70	128	2.9
-68	128	0.2
-66	128	-2.4
-64	128	1.5
-62	128	3.6
-60	128	3
-58	128	0.6
-56	128	0.4
-54	128	2.5
-52	128	3.2
-50	128	1.8
-48	128	-0.4
-46	128	1
-44	128	3.4
-42	128	4.2
-40	128	2.9
-38	128	-0.3
-36	128	-1.2
-34	128	2.6
-32	128	5.3
-30	128	6.4
-28	128	6

-26	128	4.4
-24	128	2
-22	128	0.6
-20	128	1.5
-18	128	2.7
-16	128	2.9
-14	128	2.4
-12	128	1.4
-10	128	0.7
-8	128	0.9
-6	128	1.9
-4	128	3.2
-2	128	4.1
0	128	4.4
2	128	3.9
4	128	3
6	128	2.1
8	128	2
10	128	2.9
12	128	3.9
14	128	4.5
16	128	4.5
18	128	3.7
20	128	2.3
22	128	1
24	128	1.3
26	128	2.6
28	128	3.5
30	128	3.4
32	128	2.4
34	128	1.3
36	128	1.2
38	128	2
40	128	2.5
42	128	2.5
44	128	2.3
46	128	2.1
48	128	1.7
50	128	1.2
52	128	1.1
54	128	1.8
56	128	1.9
58	128	0.3
60	128	-2.9
62	128	-1.6
64	128	1.6
66	128	2
68	128	-1.4
70	128	-7.1
72	128	-0.2
74	128	2.7
76	128	1.3
78	128	-7.3
80	128	-5.8
82	128	1.5
84	128	2
86	128	-3.3
88	128	-10.2
90	128	0.7
92	128	2.6
94	128	-0.5
96	128	-10.5
98	128	-0.5
100	128	2.9
102	128	1.8
104	128	-4.1
106	128	-2.6
108	128	2.3
110	128	2.9
112	128	0.2
114	128	-2.4
116	128	1.5
118	128	3.6
120	128	2.9
122	128	0.5
124	128	0.3
126	128	2.5
128	128	3.2
130	128	1.7
132	128	-0.6
134	128	0.9
136	128	3.5
138	128	4.3
140	128	3.1
142	128	-0.1
144	128	-1.3
146	128	2.6
148	128	5.4
150	128	6.5
152	128	6.1
154	128	4.5
156	128	2
158	128	0.5
160	128	1.4
162	128	2.6
164	128	2.9
166	128	2.3
168	128	1.4
170	128	0.7
172	128	0.9
174	128	2
176	128	3.2
178	128	4.1
180	128	4.4
-180	130	0.9
-178	130	1
-176	130	1.8
-174	130	3
-172	130	4.2
-170	130	5
-168	130	5.2
-166	130	4.6
-164	130	3.3
-162	130	1.4
-160	130	0.2
-158	130	0.9
-156	130	2.3
-154	130	3.1
-152	130	2.9

-150	130	1.8
-148	130	0.7
-146	130	0.8
-144	130	1.9
-142	130	2.6
-140	130	2.6
-138	130	2.3
-136	130	2.1
-134	130	2.1
-132	130	1.9
-130	130	1.3
-128	130	1.2
-126	130	1.5
-124	130	1.1
-122	130	-1
-120	130	-3.2
-118	130	-0.7
-116	130	1.5
-114	130	0.9
-112	130	-3.9
-110	130	-6.1
-108	130	0.6
-106	130	2.6
-104	130	0.4
-102	130	-11.3
-100	130	-4
-98	130	1.9
-96	130	2.1
-94	130	-3.3
-92	130	-10.7
-90	130	0.8
-88	130	3.1
-86	130	0.8
-84	130	-9.2
-82	130	-2.7
-80	130	2.4
-78	130	2.4
-76	130	-2
-74	130	-5.8
-72	130	0.6
-70	130	2.7
-68	130	1.2
-66	130	-2.6
-64	130	-0.6
-62	130	2.8
-60	130	3.5
-58	130	2
-56	130	0.2
-54	130	1.5
-52	130	3.2
-50	130	3.1
-48	130	1.1
-46	130	-1.1
-44	130	1.2
-42	130	3.8
-40	130	4.5
-38	130	3.3
-36	130	8.88E-16
-34	130	-2.2
-32	130	1.4
-30	130	4.4
-28	130	5.7
-26	130	5.7
-24	130	4.6
-22	130	2.7
-20	130	0.9
-18	130	0.3
-16	130	1.2
-14	130	2.5
-12	130	3.4
-10	130	3.7
-8	130	3.4
-6	130	2.7
-4	130	1.8
-2	130	1.3
0	130	1.1
2	130	1.2
4	130	1.9
6	130	3.1
8	130	4.3
10	130	5.1
12	130	5.2
14	130	4.7
16	130	3.3
18	130	1.4
20	130	0.1
22	130	0.8
24	130	2.2
26	130	3
28	130	2.9
30	130	1.8
32	130	0.6
34	130	0.8
36	130	1.9
38	130	2.7
40	130	2.7
42	130	2.3
44	130	2.1
46	130	2.1
48	130	1.8
50	130	1.4
52	130	1.3
54	130	1.6
56	130	1.2
58	130	-0.9
60	130	-3
62	130	-0.6
64	130	1.6
66	130	1
68	130	-3.5
70	130	-5.8
72	130	0.6
74	130	2.6
76	130	0.4
78	130	-11.1
80	130	-4
82	130	2
84	130	2.1
86	130	-3.2

88	130	-11
90	130	0.8
92	130	3.1
94	130	0.9
96	130	-8.7
98	130	-2.6
100	130	2.3
102	130	2.3
104	130	-2.1
106	130	-5.8
108	130	0.8
110	130	2.8
112	130	1.3
114	130	-2.6
116	130	-0.7
118	130	2.7
120	130	3.4
122	130	1.9
124	130	0.3
126	130	1.7
128	130	3.3
130	130	3.1
132	130	0.9
134	130	-1.2
136	130	1.3
138	130	3.9
140	130	4.6
142	130	3.4
144	130	0.1
146	130	-2.2
148	130	1.5
150	130	4.5
152	130	5.8
154	130	5.7
156	130	4.6
158	130	2.7
160	130	0.8
162	130	0.3
164	130	1.2
166	130	2.5
168	130	3.4
170	130	3.8
172	130	3.5
174	130	2.7
176	130	1.8
178	130	1.1
180	130	0.9
-180	132	3.2
-178	132	3.3
-176	132	3.8
-174	132	4.3
-172	132	4.6
-170	132	4.4
-168	132	3.4
-166	132	1.8
-164	132	-1.55E-14
-162	132	-0.1
-160	132	1.4
-158	132	2.8
-156	132	3.4
-154	132	2.9
-152	132	1.6
-150	132	0.2
-148	132	0.4
-146	132	1.7
-144	132	2.7
-142	132	2.8
-140	132	2.5
-138	132	2.2
-136	132	2.3
-134	132	2.4
-132	132	2
-130	132	1.4
-128	132	1.2
-126	132	1.1
-124	132	0.2
-122	132	-2.1
-120	132	-2.6
-118	132	-0.1
-116	132	1.2
-114	132	-0.4
-112	132	-6
-110	132	-4.1
-108	132	1
-106	132	2.1
-104	132	-1.1
-102	132	-19.7
-100	132	-2.4
-98	132	2.3
-96	132	2.2
-94	132	-3.2
-92	132	-11.1
-90	132	0.8
-88	132	3.3
-86	132	1.7
-84	132	-6.1
-82	132	-4.8
-80	132	1.9
-78	132	3
-76	132	0.2
-74	132	-6.9
-72	132	-1.8
-70	132	2
-68	132	1.9
-66	132	-1.2
-64	132	-3.1
-62	132	1
-60	132	3
-58	132	2.7
-56	132	0.7
-54	132	0.3
-52	132	2.5
-50	132	3.8
-48	132	3.2
-46	132	0.5
-44	132	-1.9
-42	132	0.8
-40	132	3.5
-38	132	4.4

-36	132	3.4
-34	132	0.5
-32	132	-4.2
-30	132	-2.7
-28	132	1.6
-26	132	4.1
-24	132	5.3
-22	132	5.5
-20	132	5.2
-18	132	4.6
-16	132	4.4
-14	132	4.8
-12	132	5.5
-10	132	6
-8	132	5.9
-6	132	5.4
-4	132	4.5
-2	132	3.7
0	132	3.2
2	132	3.3
4	132	3.7
6	132	4.3
8	132	4.6
10	132	4.4
12	132	3.5
14	132	2
16	132	0.3
18	132	0.1
20	132	1.5
22	132	2.9
24	132	3.4
26	132	2.9
28	132	1.6
30	132	0.2
32	132	0.5
34	132	1.9
36	132	2.8
38	132	3
40	132	2.6
42	132	2.2
44	132	2.2
46	132	2.3
48	132	2
50	132	1.5
52	132	1.3
54	132	1.1
56	132	0.1
58	132	-2.1
60	132	-2.5
62	132	-7.55E-15
64	132	1.2
66	132	-0.4
68	132	-5.7
70	132	-4
72	132	1
74	132	2.1
76	132	-1
78	132	-18.4
80	132	-2.5
82	132	2.3
84	132	2.2
86	132	-3.2
88	132	-11.4
90	132	0.7
92	132	3.3
94	132	1.7
96	132	-6.1
98	132	-4.8
100	132	1.9
102	132	2.9
104	132	0.2
106	132	-6.6
108	132	-1.6
110	132	2
112	132	1.9
114	132	-1.4
116	132	-3.2
118	132	0.9
120	132	3
122	132	2.6
124	132	0.6
126	132	0.3
128	132	2.5
130	132	3.8
132	132	3.2
134	132	0.5
136	132	-1.9
138	132	0.8
140	132	3.6
142	132	4.5
144	132	3.6
146	132	0.7
148	132	-3.9
150	132	-2.6
152	132	1.7
154	132	4.2
156	132	5.3
158	132	5.6
160	132	5.2
162	132	4.6
164	132	4.3
166	132	4.7
168	132	5.5
170	132	6
172	132	6
174	132	5.5
176	132	4.6
178	132	3.7
180	132	3.2
-180	134	4.8
-178	134	4.9
-176	134	4.5
-174	134	3.7
-172	134	2.4
-170	134	0.7
-168	134	-1
-166	134	-1.1
-164	134	0.7
-162	134	2.5

-160	134	3.5
-158	134	3.6
-156	134	2.8
-154	134	1.3
-152	134	0.2
-150	134	0.8
-148	134	2.3
-146	134	3.3
-144	134	3.4
-142	134	2.9
-140	134	2.3
-138	134	2.2
-136	134	2.4
-134	134	2.3
-132	134	1.7
-130	134	1.1
-128	134	0.9
-126	134	0.5
-124	134	-0.9
-122	134	-2.6
-120	134	-1.6
-118	134	0.4
-116	134	0.7
-114	134	-1.9
-112	134	-6.6
-110	134	-2.1
-108	134	1.5
-106	134	1.5
-104	134	-2.8
-102	134	-17.7
-100	134	-0.8
-98	134	2.9
-96	134	2.5
-94	134	-2.8
-92	134	-12.6
-90	134	0.6
-88	134	3.5
-86	134	2.5
-84	134	-3.3
-82	134	-7.2
-80	134	1.1
-78	134	3.3
-76	134	1.9
-74	134	-3.6
-72	134	-4.6
-70	134	0.9
-68	134	2.3
-66	134	0.7
-64	134	-3.3
-62	134	-1.8
-60	134	1.7
-58	134	2.7
-56	134	1.4
-54	134	-0.9
-52	134	0.1
-50	134	2.8
-48	134	3.9
-46	134	3.2
-44	134	0.5
-42	134	-2.2
-40	134	0.1
-38	134	3.2
-36	134	4.6
-34	134	4.6
-32	134	3.1
-30	134	0.1
-28	134	-2.8
-26	134	-0.7
-24	134	2.6
-22	134	4.5
-20	134	5.2
-18	134	5.1
-16	134	4.3
-14	134	3.4
-12	134	2.7
-10	134	2.6
-8	134	2.8
-6	134	3.2
-4	134	3.7
-2	134	4.3
0	134	4.7
2	134	4.9
4	134	4.6
6	134	3.8
8	134	2.5
10	134	0.7
12	134	-1
14	134	-1
16	134	0.7
18	134	2.5
20	134	3.6
22	134	3.7
24	134	2.9
26	134	1.4
28	134	0.3
30	134	0.8
32	134	2.3
34	134	3.3
36	134	3.5
38	134	2.9
40	134	2.3
42	134	2.1
44	134	2.3
46	134	2.2
48	134	1.7
50	134	1.2
52	134	0.9
54	134	0.4
56	134	-1
58	134	-2.5
60	134	-1.5
62	134	0.4
64	134	0.6
66	134	-2
68	134	-6.3
70	134	-1.9
72	134	1.5
74	134	1.5
76	134	-2.8

78	134	-16.1
80	134	-0.8
82	134	2.9
84	134	2.5
86	134	-2.7
88	134	-12.7
90	134	0.6
92	134	3.5
94	134	2.5
96	134	-3.4
98	134	-7
100	134	1.3
102	134	3.4
104	134	1.9
106	134	-3.6
108	134	-4.6
110	134	0.9
112	134	2.3
114	134	0.6
116	134	-3.6
118	134	-1.9
120	134	1.7
122	134	2.7
124	134	1.3
126	134	-1.1
128	134	0.1
130	134	2.8
132	134	4
134	134	3.2
136	134	0.5
138	134	-2.2
140	134	0.3
142	134	3.4
144	134	4.8
146	134	4.7
148	134	3.2
150	134	-2.66E-14
152	134	-3.2
154	134	-0.8
156	134	2.5
158	134	4.5
160	134	5.2
162	134	5
164	134	4.2
166	134	3.2
168	134	2.6
170	134	2.5
172	134	2.8
174	134	3.3
176	134	3.8
178	134	4.4
180	134	4.8
-180	136	3.5
-178	136	3
-176	136	1.9
-174	136	0.3
-172	136	-0.7
-170	136	-4.44E-16
-168	136	1.7
-166	136	3.2
-164	136	4.1
-162	136	4.2
-160	136	3.6
-158	136	2.2
-156	136	0.3
-154	136	-0.4
-152	136	1
-150	136	2.7
-148	136	3.7
-146	136	3.8
-144	136	3.1
-142	136	2.2
-140	136	1.8
-138	136	2.1
-136	136	2.2
-134	136	1.8
-132	136	1.1
-130	136	0.6
-128	136	0.4
-126	136	-0.2
-124	136	-1.7
-122	136	-2.3
-120	136	-0.7
-118	136	0.6
-116	136	0
-114	136	-2.9
-112	136	-4.6
-110	136	-0.5
-108	136	1.8
-106	136	1
-104	136	-4.3
-102	136	-10
-100	136	0.2
-98	136	3.2
-96	136	2.6
-94	136	-2.8
-92	136	-14.2
-90	136	0.5
-88	136	3.8
-86	136	3.3
-84	136	-1.1
-82	136	-9.3
-80	136	-0.1
-78	136	3.3
-76	136	3
-74	136	-0.5
-72	136	-5.9
-70	136	-1
-68	136	2.1
-66	136	2
-64	136	-0.9
-62	136	-4.3
-60	136	-0.8
-58	136	2
-56	136	2.3
-54	136	0.4
-52	136	-2
-50	136	-0.3
-48	136	2.6

-46	136	3.8
-44	136	3.3
-42	136	0.9
-40	136	-2.2
-38	136	-0.6
-36	136	3
-34	136	5.1
-32	136	5.8
-30	136	5.3
-28	136	3.6
-26	136	0.9
-24	136	-1.5
-22	136	-0.9
-20	136	1.1
-18	136	2.4
-16	136	2.9
-14	136	2.8
-12	136	2.4
-10	136	2.1
-8	136	2
-6	136	2.3
-4	136	2.9
-2	136	3.4
0	136	3.5
2	136	3
4	136	1.9
6	136	0.3
8	136	-0.8
10	136	-0.1
12	136	1.6
14	136	3.1
16	136	4
18	136	4.1
20	136	3.5
22	136	2.1
24	136	0.3
26	136	-0.4
28	136	1
30	136	2.7
32	136	3.7
34	136	3.8
36	136	3.1
38	136	2.2
40	136	1.8
42	136	2
44	136	2.1
46	136	1.8
48	136	1.1
50	136	0.6
52	136	0.2
54	136	-0.6
56	136	-1.8
58	136	-2.1
60	136	-0.5
62	136	0.6
64	136	-0.1
66	136	-3.2
68	136	-4.5
70	136	-0.3
72	136	1.9
74	136	1.1
76	136	-4.3
78	136	-9.8
80	136	0.3
82	136	3.3
84	136	2.7
86	136	-2.6
88	136	-14.5
90	136	0.5
92	136	3.8
94	136	3.4
96	136	-0.9
98	136	-9.2
100	136	-0.1
102	136	3.2
104	136	2.9
106	136	-0.7
108	136	-6.2
110	136	-0.9
112	136	2.2
114	136	2
116	136	-1.1
118	136	-4.5
120	136	-0.8
122	136	2
124	136	2.3
126	136	0.4
128	136	-2.1
130	136	-0.3
132	136	2.6
134	136	3.8
136	136	3.2
138	136	0.8
140	136	-2.2
142	136	-0.4
144	136	3.1
146	136	5.1
148	136	5.8
150	136	5.2
152	136	3.5
154	136	0.8
156	136	-1.7
158	136	-1
160	136	1
162	136	2.3
164	136	2.9
166	136	2.8
168	136	2.5
170	136	2.2
172	136	2.2
174	136	2.5
176	136	3
178	136	3.4
180	136	3.5
-180	138	0.3
-178	138	-0.3
-176	138	4.88E-15
-174	138	1.4
-172	138	3

-170	138	4.2
-168	138	4.8
-166	138	4.8
-164	138	4.1
-162	138	2.6
-160	138	0.5
-158	138	-1.3
-156	138	-0.7
-154	138	1.4
-152	138	2.9
-150	138	3.6
-148	138	3.3
-146	138	2.2
-144	138	1
-142	138	0.8
-140	138	1.5
-138	138	2.1
-136	138	1.9
-134	138	1
-132	138	-2.13E-14
-130	138	-0.5
-128	138	-0.5
-126	138	-1.1
-124	138	-1.9
-122	138	-1.5
-120	138	-0.1
-118	138	0.4
-116	138	-0.7
-114	138	-3.1
-112	138	-2.4
-110	138	0.7
-108	138	2
-106	138	0.6
-104	138	-5.1
-102	138	-6.8
-100	138	0.7
-98	138	3.2
-96	138	2.5
-94	138	-2.7
-92	138	-16.6
-90	138	1.33E-15
-88	138	3.7
-86	138	3.8
-84	138	0.5
-82	138	-8.1
-80	138	-2
-78	138	2.7
-76	138	3.6
-74	138	1.6
-72	138	-3.5
-70	138	-3.5
-68	138	1
-66	138	2.5
-64	138	1.3
-62	138	-2.4
-60	138	-3.9
-58	138	0
-56	138	2.2
-54	138	2.2
-52	138	0.2
-50	138	-2.2
-48	138	-0.7
-46	138	2.2
-44	138	3.6
-42	138	3.2
-40	138	1.1
-38	138	-2.8
-36	138	-3.1
-34	138	1.3
-32	138	4.3
-30	138	5.7
-28	138	6.1
-26	138	5.5
-24	138	4.2
-22	138	2.4
-20	138	0.9
-18	138	0.9
-16	138	1.9
-14	138	3
-12	138	3.8
-10	138	4
-8	138	3.8
-6	138	3.2
-4	138	2.4
-2	138	1.3
0	138	0.2
2	138	-0.5
4	138	-0.2
6	138	1.1
8	138	2.8
10	138	4
12	138	4.7
14	138	4.7
16	138	4
18	138	2.5
20	138	0.4
22	138	-1.4
24	138	-0.7
26	138	1.4
28	138	3
30	138	3.6
32	138	3.3
34	138	2.3
36	138	1.2
38	138	0.8
40	138	1.4
42	138	2
44	138	1.8
46	138	1
48	138	-4.88E-15
50	138	-0.5
52	138	-0.8
54	138	-1.4
56	138	-2
58	138	-1.4
60	138	-0.1
62	138	0.4
64	138	-0.9
66	138	-3.4

68	138	-2.4
70	138	0.8
72	138	2
74	138	0.6
76	138	-5.2
78	138	-6.8
80	138	0.7
82	138	3.3
84	138	2.5
86	138	-2.6
88	138	-17.2
90	138	-4.44E-16
92	138	3.7
94	138	3.9
96	138	0.6
98	138	-8.2
100	138	-2.2
102	138	2.6
104	138	3.5
106	138	1.6
108	138	-3.5
110	138	-3.5
112	138	1
114	138	2.4
116	138	1.2
118	138	-2.5
120	138	-3.9
122	138	-1.38E-14
124	138	2.2
126	138	2.1
128	138	0.1
130	138	-2.5
132	138	-0.8
134	138	2.1
136	138	3.5
138	138	3.2
140	138	1.1
142	138	-2.8
144	138	-3.1
146	138	1.3
148	138	4.2
150	138	5.7
152	138	6
154	138	5.5
156	138	4.2
158	138	2.4
160	138	0.9
162	138	0.8
164	138	1.9
166	138	3.1
168	138	3.9
170	138	4.1
172	138	3.9
174	138	3.4
176	138	2.5
178	138	1.4
180	138	0.3
-180	140	2.3
-178	140	3.3
-176	140	4.3
-174	140	4.9
-172	140	5.2
-170	140	5
-168	140	4.1
-166	140	2.5
-164	140	0.1
-162	140	-2.3
-160	140	-2.1
-158	140	0.3
-156	140	2.2
-154	140	3.2
-152	140	3.2
-150	140	2.4
-148	140	0.8
-146	140	-0.7
-144	140	-0.7
-142	140	0.6
-140	140	1.5
-138	140	1.6
-136	140	0.7
-134	140	-0.8
-132	140	-1.7
-130	140	-1.5
-128	140	-1.3
-126	140	-1.5
-124	140	-1.6
-122	140	-0.8
-120	140	0.2
-118	140	0.1
-116	140	-1.3
-114	140	-2.8
-112	140	-1.1
-110	140	1.3
-108	140	1.9
-106	140	0.1
-104	140	-5.4
-102	140	-5
-100	140	0.9
-98	140	3.2
-96	140	2.5
-94	140	-2.1
-92	140	-25.3
-90	140	-1.3
-88	140	3.1
-86	140	3.8
-84	140	1.6
-82	140	-4.9
-80	140	-4.6
-78	140	1.6
-76	140	3.6
-74	140	3
-72	140	-0.2
-70	140	-4.1
-68	140	-0.8
-66	140	2.1
-64	140	2.6
-62	140	0.8
-60	140	-2.6
-58	140	-2.8

-56	140	0.5
-54	140	2.2
-52	140	2.1
-50	140	0.1
-48	140	-2.4
-46	140	-1.2
-44	140	1.7
-42	140	3.4
-40	140	3.6
-38	140	2.3
-36	140	-0.9
-34	140	-5.9
-32	140	-3.6
-30	140	1.2
-28	140	4
-26	140	5.4
-24	140	5.9
-22	140	5.7
-20	140	5
-18	140	3.9
-16	140	2.7
-14	140	1.9
-12	140	1.4
-10	140	1.1
-8	140	0.9
-6	140	0.7
-4	140	0.8
-2	140	1.3
0	140	2.2
2	140	3.3
4	140	4.2
6	140	4.8
8	140	5.1
10	140	4.8
12	140	4
14	140	2.4
16	140	0
18	140	-2.4
20	140	-2.1
22	140	0.3
24	140	2.3
26	140	3.3
28	140	3.3
30	140	2.5
32	140	0.9
34	140	-0.5
36	140	-0.4
38	140	0.7
40	140	1.5
42	140	1.5
44	140	0.5
46	140	-0.8
48	140	-1.6
50	140	-1.4
52	140	-1.3
54	140	-1.5
56	140	-1.6
58	140	-0.8
60	140	0.1
62	140	0.1
64	140	-1.4
66	140	-2.8
68	140	-1.1
70	140	1.3
72	140	1.9
74	140	-6.22E-15
76	140	-5.4
78	140	-4.9
80	140	1
82	140	3.2
84	140	2.5
86	140	-2.1
88	140	-25.4
90	140	-1.2
92	140	3.2
94	140	3.9
96	140	1.7
98	140	-4.9
100	140	-4.8
102	140	1.6
104	140	3.7
106	140	3.1
108	140	-0.1
110	140	-4.2
112	140	-1.1
114	140	1.9
116	140	2.5
118	140	0.8
120	140	-2.5
122	140	-2.7
124	140	0.4
126	140	2.1
128	140	1.9
130	140	-0.1
132	140	-2.7
134	140	-1.2
136	140	1.9
138	140	3.6
140	140	3.8
142	140	2.5
144	140	-0.7
146	140	-5.9
148	140	-3.8
150	140	1.1
152	140	3.9
154	140	5.4
156	140	5.9
158	140	5.7
160	140	4.9
162	140	3.8
164	140	2.7
166	140	1.8
168	140	1.3
170	140	1
172	140	0.8
174	140	0.6
176	140	0.7
178	140	1.3
180	140	2.3

-180	142	4.9
-178	142	4.9
-176	142	4.5
-174	142	3.7
-172	142	2.4
-170	142	0.2
-168	142	-2.6
-166	142	-4.4
-164	142	-2.5
-162	142	0.2
-160	142	2.1
-158	142	3
-156	142	3.1
-154	142	2.4
-152	142	0.8
-150	142	-1.1
-148	142	-2
-146	142	-1
-144	142	0.4
-142	142	1.1
-140	142	0.8
-138	142	-0.4
-136	142	-2.1
-134	142	-2.8
-132	142	-2
-130	142	-1.1
-128	142	-1.1
-126	142	-1.6
-124	142	-1.6
-122	142	-0.6
-120	142	0.1
-118	142	-0.2
-116	142	-1.6
-114	142	-2.2
-112	142	-0.4
-110	142	1.3
-108	142	1.4
-106	142	-0.7
-104	142	-5.6
-102	142	-3.9
-100	142	1.1
-98	142	3
-96	142	2.4
-94	142	-1.6
-92	142	-20.4
-90	142	-2.9
-88	142	2.3
-86	142	3.7
-84	142	2.4
-82	142	-2.1
-80	142	-6.8
-78	142	-0.3
-76	142	3
-74	142	3.5
-72	142	1.9
-70	142	-1.5
-68	142	-2.3
-66	142	0.9
-64	142	2.7
-62	142	2.6
-60	142	0.7
-58	142	-2.1
-56	142	-1.6
-54	142	1
-52	142	2.4
-50	142	2.2
-48	142	0.3
-46	142	-2.8
-44	142	-2.5
-42	142	1
-40	142	3.3
-38	142	4.3
-36	142	4
-34	142	2.4
-32	142	-0.8
-30	142	-6.5
-28	142	-6.6
-26	142	-1.2
-24	142	1.9
-22	142	3.6
-20	142	4.4
-18	142	4.6
-16	142	4.4
-14	142	4
-12	142	3.6
-10	142	3.4
-8	142	3.5
-6	142	3.8
-4	142	4.2
-2	142	4.7
0	142	4.9
2	142	5
4	142	4.6
6	142	3.8
8	142	2.5
10	142	0.3
12	142	-2.6
14	142	-4.7
16	142	-2.9
18	142	-4.44E-16
20	142	2
22	142	3
24	142	3.1
26	142	2.4
28	142	0.9
30	142	-1
32	142	-1.8
34	142	-0.7
36	142	0.7
38	142	1.3
40	142	0.9
42	142	-0.4
44	142	-2.2
46	142	-2.8
48	142	-1.8
50	142	-1
52	142	-0.9
54	142	-1.4
56	142	-1.3

58	142	-0.4
60	142	0.3
62	142	-0.1
64	142	-1.4
66	142	-2
68	142	-0.4
70	142	1.3
72	142	1.4
74	142	-0.7
76	142	-5.4
78	142	-3.7
80	142	1.1
82	142	3
84	142	2.4
86	142	-1.7
88	142	-21.3
90	142	-2.8
92	142	2.4
94	142	3.8
96	142	2.5
98	142	-2.2
100	142	-7.2
102	142	-0.3
104	142	3.1
106	142	3.6
108	142	2
110	142	-1.4
112	142	-2.3
114	142	0.9
116	142	2.7
118	142	2.7
120	142	0.8
122	142	-2
124	142	-1.6
126	142	1
128	142	2.5
130	142	2.2
132	142	0.4
134	142	-2.6
136	142	-2.2
138	142	1.1
140	142	3.5
142	142	4.4
144	142	4.1
146	142	2.4
148	142	-0.9
150	142	-7
152	142	-6.9
154	142	-1.2
156	142	1.9
158	142	3.6
160	142	4.4
162	142	4.5
164	142	4.3
166	142	3.9
168	142	3.5
170	142	3.3
172	142	3.4
174	142	3.8
176	142	4.2
178	142	4.6
180	142	4.9
-180	144	1.5
-178	144	-0.2
-176	144	-2.9
-174	144	-6.8
-172	144	-8.8
-170	144	-4.8
-168	144	-1.1
-166	144	1.3
-164	144	2.8
-162	144	3.4
-160	144	3.3
-158	144	2.5
-156	144	0.8
-154	144	-1.5
-152	144	-3
-150	144	-2.1
-148	144	-0.2
-146	144	1
-144	144	1.2
-142	144	0.4
-140	144	-1.2
-138	144	-3
-136	144	-2.9
-134	144	-1.5
-132	144	-0.4
-130	144	-0.4
-128	144	-1.2
-126	144	-1.8
-124	144	-1.3
-122	144	-0.3
-120	144	0.2
-118	144	-0.4
-116	144	-1.6
-114	144	-1.6
-112	144	2.09E-14
-110	144	1.2
-108	144	0.9
-106	144	-1.6
-104	144	-6
-102	144	-3.5
-100	144	0.8
-98	144	2.6
-96	144	2
-94	144	-1.6
-92	144	-16
-90	144	-4.7
-88	144	1.4
-86	144	3.3
-84	144	2.7
-82	144	-0.5
-80	144	-6.5
-78	144	-2.7
-76	144	1.8
-74	144	3.3
-72	144	2.9
-70	144	0.7
-68	144	-1.8

-66	144	-0.5
-64	144	1.9
-62	144	3
-60	144	2.5
-58	144	0.5
-56	144	-1.5
-54	144	-0.5
-52	144	1.8
-50	144	3
-48	144	2.9
-46	144	1.2
-44	144	-2.2
-42	144	-5.3
-40	144	-1.8
-38	144	1.8
-36	144	3.8
-34	144	4.5
-32	144	4.3
-30	144	3.1
-28	144	0.9
-26	144	-2.7
-24	144	-8.2
-22	144	-9.7
-20	144	-4.7
-18	144	-1.4
-16	144	0.6
-14	144	1.9
-12	144	2.7
-10	144	3.2
-8	144	3.4
-6	144	3.4
-4	144	3.1
-2	144	2.5
0	144	1.5
2	144	-0.2
4	144	-2.7
6	144	-6.5
8	144	-8.6
10	144	-4.9
12	144	-1.3
14	144	1.2
16	144	2.6
18	144	3.3
20	144	3.2
22	144	2.4
24	144	0.8
26	144	-1.5
28	144	-3
30	144	-2
32	144	-0.1
34	144	1.1
36	144	1.4
38	144	0.6
40	144	-1.1
42	144	-2.9
44	144	-2.9
46	144	-1.4
48	144	-0.4
50	144	-0.3
52	144	-1
54	144	-1.7
56	144	-1.2
58	144	-0.1
60	144	0.4
62	144	-0.1
64	144	-1.3
66	144	-1.4
68	144	0.1
70	144	1.2
72	144	0.9
74	144	-1.5
76	144	-5.7
78	144	-3.4
80	144	0.8
82	144	2.5
84	144	1.9
86	144	-1.8
88	144	-16.7
90	144	-4.5
92	144	1.5
94	144	3.3
96	144	2.7
98	144	-0.6
100	144	-6.7
102	144	-2.5
104	144	1.9
106	144	3.5
108	144	3
110	144	0.9
112	144	-1.5
114	144	-0.3
116	144	2.1
118	144	3.1
120	144	2.5
122	144	0.5
124	144	-1.6
126	144	-0.5
128	144	1.9
130	144	3.3
132	144	3.2
134	144	1.5
136	144	-1.8
138	144	-5
140	144	-1.8
142	144	1.7
144	144	3.7
146	144	4.5
148	144	4.2
150	144	2.9
152	144	0.6
154	144	-3.2
156	144	-9.3
158	144	-10.2
160	144	-4.9
162	144	-1.6
164	144	0.4
166	144	1.7
168	144	2.6
170	144	3.1

172	144	3.4
174	144	3.4
176	144	3.2
178	144	2.6
180	144	1.5
-180	146	-5.8
-178	146	-3.2
-176	146	-0.9
-174	146	0.9
-172	146	2.3
-170	146	3.2
-168	146	3.6
-166	146	3.5
-164	146	2.9
-162	146	1.7
-160	146	-0.1
-158	146	-2.4
-156	146	-3.4
-154	146	-2
-152	146	8.88E-16
-150	146	1.3
-148	146	1.8
-146	146	1.3
-144	146	-2.22E-14
-142	146	-1.8
-140	146	-2.8
-138	146	-1.8
-136	146	-0.3
-134	146	0.5
-132	146	0.4
-130	146	-0.6
-128	146	-1.6
-126	146	-1.5
-124	146	-0.3
-122	146	0.7
-120	146	0.6
-118	146	-0.4
-116	146	-1.6
-114	146	-1.2
-112	146	0.3
-110	146	1
-108	146	0.3
-106	146	-2.3
-104	146	-6.2
-102	146	-3.5
-100	146	0.3
-98	146	1.9
-96	146	1.3
-94	146	-2.2
-92	146	-14.6
-90	146	-6.5
-88	146	0.3
-86	146	2.5
-84	146	2.4
-82	146	0.1
-80	146	-4.8
-78	146	-4.5
-76	146	0.4
-74	146	2.7
-72	146	3.1
-70	146	1.8
-68	146	-0.6
-66	146	-1.6
-64	146	0.6
-62	146	2.5
-60	146	3.1
-58	146	2.3
-56	146	0.3
-54	146	-1.7
-52	146	-0.6
-50	146	1.9
-48	146	3.4
-46	146	3.8
-44	146	2.9
-42	146	0.7
-40	146	-3.5
-38	146	-7.8
-36	146	-3.4
-34	146	0.6
-32	146	2.9
-30	146	4
-28	146	4.4
-26	146	4.1
-24	146	3.3
-22	146	1.9
-20	146	0.1
-18	146	-2.3
-16	146	-5.1
-14	146	-7.6
-12	146	-8.8
-10	146	-8.9
-8	146	-9
-6	146	-9.6
-4	146	-9.9
-2	146	-8.8
0	146	-6.1
2	146	-3.3
4	146	-0.9
6	146	1
8	146	2.3
10	146	3.2
12	146	3.6
14	146	3.6
16	146	2.9
18	146	1.7
20	146	-0.2
22	146	-2.5
24	146	-3.5
26	146	-2
28	146	-8.88E-16
30	146	1.3
32	146	1.8
34	146	1.4
36	146	0.1
38	146	-1.7
40	146	-2.7
42	146	-1.7
44	146	-0.3
46	146	0.5

48	146	0.4
50	146	-0.5
52	146	-1.5
54	146	-1.4
56	146	-0.3
58	146	0.6
60	146	0.6
62	146	-0.3
64	146	-1.4
66	146	-1
68	146	0.4
70	146	1.1
72	146	0.4
74	146	-2.2
76	146	-6.1
78	146	-3.6
80	146	0.3
82	146	1.8
84	146	1.2
86	146	-2.2
88	146	-14.8
90	146	-6.3
92	146	0.3
94	146	2.6
96	146	2.5
98	146	0.2
100	146	-4.6
102	146	-4.4
104	146	0.4
106	146	2.8
108	146	3.2
110	146	1.9
112	146	-0.5
114	146	-1.4
116	146	0.7
118	146	2.7
120	146	3.2
122	146	2.4
124	146	0.4
126	146	-1.6
128	146	-0.4
130	146	2.1
132	146	3.6
134	146	4
136	146	3.2
138	146	0.9
140	146	-3.2
142	146	-7.7
144	146	-3.5
146	146	0.6
148	146	2.8
150	146	4
152	146	4.3
154	146	4
156	146	3.2
158	146	1.8
160	146	-0.1
162	146	-2.5
164	146	-5.3
166	146	-7.9
168	146	-9
170	146	-8.9
172	146	-8.7
174	146	-9
176	146	-9.2
178	146	-8.2
180	146	-5.8
-180	148	4.1
-178	148	4.4
-176	148	4.5
-174	148	4.4
-172	148	3.9
-170	148	3
-168	148	1.6
-166	148	-0.4
-164	148	-3.1
-162	148	-4.9
-160	148	-3.4
-158	148	-0.7
-156	148	1.3
-154	148	2.5
-152	148	2.9
-150	148	2.5
-148	148	1.4
-146	148	-0.4
-144	148	-2.2
-142	148	-2.3
-140	148	-0.8
-138	148	0.6
-136	148	1.3
-134	148	1.1
-132	148	0.1
-130	148	-1
-128	148	-1.1
-126	148	-0.1
-124	148	1
-122	148	1.2
-120	148	0.6
-118	148	-0.8
-116	148	-1.6
-114	148	-0.8
-112	148	0.5
-110	148	0.8
-108	148	-0.3
-106	148	-3.2
-104	148	-6.4
-102	148	-3.4
-100	148	8.88E-16
-98	148	1.3
-96	148	0.7
-94	148	-2.6
-92	148	-13.1
-90	148	-8.6
-88	148	-1
-86	148	1.6
-84	148	2
-82	148	0.4
-80	148	-3.3
-78	148	-5.4

-76	148	-1.2
-74	148	1.7
-72	148	2.8
-70	148	2.3
-68	148	0.4
-66	148	-1.9
-64	148	-1.2
-62	148	1.3
-60	148	3
-58	148	3.3
-56	148	2.4
-54	148	0.3
-52	148	-2.4
-50	148	-2
-48	148	0.9
-46	148	3.2
-44	148	4.3
-42	148	4.4
-40	148	3.7
-38	148	1.8
-36	148	-1.4
-34	148	-6.4
-32	148	-7.9
-30	148	-3
-28	148	0.4
-26	148	2.4
-24	148	3.6
-22	148	4.1
-20	148	4.3
-18	148	4.1
-16	148	3.8
-14	148	3.4
-12	148	3
-10	148	2.8
-8	148	2.7
-6	148	2.9
-4	148	3.2
-2	148	3.6
0	148	4
2	148	4.3
4	148	4.5
6	148	4.4
8	148	3.9
10	148	3.1
12	148	1.7
14	148	-0.4
16	148	-3.2
18	148	-5.2
20	148	-3.6
22	148	-0.8
24	148	1.3
26	148	2.5
28	148	2.9
30	148	2.6
32	148	1.5
34	148	-0.3
36	148	-2.1
38	148	-2.2
40	148	-0.7
42	148	0.7
44	148	1.3
46	148	1
48	148	-5.33E-15
50	148	-1
52	148	-1
54	148	4.44E-16
56	148	1
58	148	1.1
60	148	0.4
62	148	-1
64	148	-1.7
66	148	-0.7
68	148	0.6
70	148	1
72	148	-0.1
74	148	-3
76	148	-6.3
78	148	-3.5
80	148	-0.1
82	148	1.3
84	148	0.7
86	148	-2.6
88	148	-13.1
90	148	-8.6
92	148	-1
94	148	1.7
96	148	2
98	148	0.4
100	148	-3.4
102	148	-5.7
104	148	-1.3
106	148	1.7
108	148	2.8
110	148	2.4
112	148	0.5
114	148	-1.8
116	148	-1.2
118	148	1.3
120	148	3
122	148	3.4
124	148	2.6
126	148	0.5
128	148	-2.2
130	148	-1.8
132	148	1.1
134	148	3.3
136	148	4.4
138	148	4.6
140	148	3.8
142	148	1.9
144	148	-1.3
146	148	-6.6
148	148	-8.2
150	148	-3
152	148	0.4
154	148	2.4
156	148	3.6
158	148	4.1
160	148	4.3

162	148	4.1
164	148	3.8
166	148	3.4
168	148	3.1
170	148	2.9
172	148	2.8
174	148	3
176	148	3.4
178	148	3.8
180	148	4.1
-180	150	2.2
-178	150	1.5
-176	150	0.4
-174	150	-1.2
-172	150	-3.3
-170	150	-5.4
-168	150	-5.5
-166	150	-3.1
-164	150	-0.5
-162	150	1.5
-160	150	2.8
-158	150	3.5
-156	150	3.7
-154	150	3.2
-152	150	2.2
-150	150	0.7
-148	150	-1
-146	150	-1.7
-144	150	-0.8
-142	150	0.6
-140	150	1.6
-138	150	1.9
-136	150	1.5
-134	150	0.5
-132	150	-0.5
-130	150	-0.6
-128	150	0.3
-126	150	1.2
-124	150	1.5
-122	150	1
-120	150	-0.2
-118	150	-1.5
-116	150	-1.5
-114	150	-0.2
-112	150	0.8
-110	150	0.7
-108	150	-0.9
-106	150	-4.1
-104	150	-6.4
-102	150	-3.1
-100	150	-0.1
-98	150	1
-96	150	0.3
-94	150	-2.7
-92	150	-11.6
-90	150	-11.3
-88	150	-2.4
-86	150	0.7
-84	150	1.6
-82	150	0.5
-80	150	-2.5
-78	150	-6.4
-76	150	-3.7
-74	150	0.2
-72	150	2.2
-70	150	2.5
-68	150	1.6
-66	150	-0.6
-64	150	-2.4
-62	150	-1
-60	150	1.5
-58	150	3.1
-56	150	3.6
-54	150	3
-52	150	1.3
-50	150	-1.5
-48	150	-3.5
-46	150	-1.4
-44	150	1.6
-42	150	3.6
-40	150	4.7
-38	150	5
-36	150	4.7
-34	150	3.6
-32	150	1.9
-30	150	-0.9
-28	150	-4.8
-26	150	-8.7
-24	150	-6.8
-22	150	-3.3
-20	150	-0.9
-18	150	0.6
-16	150	1.6
-14	150	2.2
-12	150	2.6
-10	150	2.8
-8	150	2.9
-6	150	2.9
-4	150	2.8
-2	150	2.5
0	150	2.1
2	150	1.4
4	150	0.4
6	150	-1.2
8	150	-3.3
10	150	-5.6
12	150	-5.8
14	150	-3.4
16	150	-0.7
18	150	1.4
20	150	2.7
22	150	3.5
24	150	3.7
26	150	3.3
28	150	2.3
30	150	0.8
32	150	-0.9
34	150	-1.6
36	150	-0.7

38	150	0.7
40	150	1.6
42	150	1.8
44	150	1.3
46	150	0.3
48	150	-0.7
50	150	-0.6
52	150	0.4
54	150	1.3
56	150	1.6
58	150	1
60	150	-0.3
62	150	-1.8
64	150	-1.7
66	150	-0.4
68	150	0.7
70	150	0.6
72	150	-0.9
74	150	-4
76	150	-6.3
78	150	-3.1
80	150	-0.2
82	150	1
84	150	0.3
86	150	-2.8
88	150	-11.7
90	150	-11
92	150	-2.3
94	150	0.8
96	150	1.6
98	150	0.5
100	150	-2.5
102	150	-6.5
104	150	-3.6
106	150	0.3
108	150	2.3
110	150	2.7
112	150	1.7
114	150	-0.5
116	150	-2.5
118	150	-1.1
120	150	1.5
122	150	3.2
124	150	3.7
126	150	3.2
128	150	1.5
130	150	-1.3
132	150	-3.3
134	150	-1.2
136	150	1.7
138	150	3.7
140	150	4.8
142	150	5
144	150	4.6
146	150	3.5
148	150	1.7
150	150	-1.2
152	150	-5.2
154	150	-8.9
156	150	-6.7
158	150	-3.3
160	150	-0.9
162	150	0.6
164	150	1.6
166	150	2.2
168	150	2.6
170	150	2.9
172	150	3
174	150	3
176	150	2.9
178	150	2.6
180	150	2.2
-180	152	-7
-178	152	-4.8
-176	152	-2.6
-174	152	-0.6
-172	152	1.1
-170	152	2.4
-168	152	3.4
-166	152	4.1
-164	152	4.5
-162	152	4.4
-160	152	4
-158	152	3.2
-156	152	1.9
-154	152	0.2
-152	152	-1.2
-150	152	-1.4
-148	152	-0.3
-146	152	1.2
-144	152	2.2
-142	152	2.7
-140	152	2.5
-138	152	1.8
-136	152	0.6
-134	152	-0.5
-132	152	-0.5
-130	152	0.4
-128	152	1.3
-126	152	1.7
-124	152	1.4
-122	152	0.4
-120	152	-1
-118	152	-1.7
-116	152	-0.9
-114	152	0.2
-112	152	0.8
-110	152	0.2
-108	152	-1.7
-106	152	-4.9
-104	152	-5.9
-102	152	-2.8
-100	152	-0.3
-98	152	0.6
-96	152	-0.1
-94	152	-2.9
-92	152	-10.7
-90	152	-14.1
-88	152	-3.7

-86	152	-0.1
-84	152	1.1
-82	152	0.7
-80	152	-1.6
-78	152	-6
-76	152	-6.9
-74	152	-2
-72	152	1.1
-70	152	2.4
-68	152	2.5
-66	152	1.3
-64	152	-1
-62	152	-3.1
-60	152	-1.7
-58	152	1.1
-56	152	3
-54	152	3.9
-52	152	3.9
-50	152	3
-48	152	1.1
-46	152	-1.6
-44	152	-3.8
-42	152	-2.2
-40	152	0.7
-38	152	2.9
-36	152	4.3
-34	152	5
-32	152	5.2
-30	152	5
-28	152	4.4
-26	152	3.4
-24	152	2.1
-22	152	0.4
-20	152	-1.5
-18	152	-3.7
-16	152	-6
-14	152	-8.1
-12	152	-9.5
-10	152	-10.2
-8	152	-10.5
-6	152	-10.4
-4	152	-10
-2	152	-8.9
0	152	-7
2	152	-4.9
4	152	-2.7
6	152	-0.7
8	152	1
10	152	2.3
12	152	3.4
14	152	4.1
16	152	4.5
18	152	4.5
20	152	4.1
22	152	3.3
24	152	2
26	152	0.3
28	152	-1.2
30	152	-1.4
32	152	-0.2
34	152	1.3
36	152	2.4
38	152	2.8
40	152	2.6
42	152	1.8
44	152	0.5
46	152	-0.6
48	152	-0.6
50	152	0.4
52	152	1.4
54	152	1.9
56	152	1.5
58	152	0.4
60	152	-1.1
62	152	-1.9
64	152	-1.1
66	152	0.1
68	152	0.7
70	152	0.1
72	152	-1.9
74	152	-5.2
76	152	-6.1
78	152	-2.7
80	152	-0.2
82	152	0.7
84	152	-3.11E-15
86	152	-2.9
88	152	-10.9
90	152	-13.5
92	152	-3.5
94	152	0.1
96	152	1.4
98	152	0.9
100	152	-1.3
102	152	-5.7
104	152	-6.9
106	152	-2
108	152	1.1
110	152	2.5
112	152	2.5
114	152	1.3
116	152	-1
118	152	-3.1
120	152	-1.7
122	152	1.1
124	152	3.1
126	152	4
128	152	4
130	152	3.1
132	152	1.2
134	152	-1.6
136	152	-3.8
138	152	-2.1
140	152	0.7
142	152	2.9
144	152	4.2
146	152	4.9
148	152	5.1
150	152	4.9

152	152	4.3
154	152	3.3
156	152	2.1
158	152	0.5
160	152	-1.4
162	152	-3.4
164	152	-5.6
166	152	-7.5
168	152	-9
170	152	-9.9
172	152	-10.3
174	152	-10.4
176	152	-10.1
178	152	-8.9
180	152	-7
-180	154	4.2
-178	154	4.5
-176	154	4.8
-174	154	5.1
-172	154	5.2
-170	154	5.1
-168	154	4.9
-166	154	4.3
-164	154	3.5
-162	154	2.2
-160	154	0.6
-158	154	-1.1
-156	154	-2.1
-154	154	-1.5
-152	154	0.1
-150	154	1.5
-148	154	2.6
-146	154	3.1
-144	154	3.1
-142	154	2.5
-140	154	1.5
-138	154	0.2
-136	154	-0.7
-134	154	-0.5
-132	154	0.4
-130	154	1.3
-128	154	1.8
-126	154	1.6
-124	154	0.7
-122	154	-0.5
-120	154	-1.5
-118	154	-1.3
-116	154	-0.3
-114	154	0.5
-112	154	0.5
-110	154	-0.6
-108	154	-2.9
-106	154	-5.8
-104	154	-5.5
-102	154	-2.5
-100	154	-0.4
-98	154	0.3
-96	154	-0.4
-94	154	-3
-92	154	-9.5
-90	154	-18.1
-88	154	-5.2
-86	154	-1
-84	154	0.7
-82	154	0.9
-80	154	-0.5
-78	154	-3.7
-76	154	-8.5
-74	154	-5.8
-72	154	-1.3
-70	154	1.3
-68	154	2.4
-66	154	2.3
-64	154	1.1
-62	154	-1.1
-60	154	-3.7
-58	154	-3.2
-56	154	-0.2
-54	154	2.2
-52	154	3.6
-50	154	4.2
-48	154	4
-46	154	3.2
-44	154	1.5
-42	154	-0.9
-40	154	-3.7
-38	154	-4.3
-36	154	-1.9
-34	154	0.7
-32	154	2.6
-30	154	3.8
-28	154	4.7
-26	154	5.1
-24	154	5.3
-22	154	5.3
-20	154	5.2
-18	154	4.9
-16	154	4.6
-14	154	4.2
-12	154	3.9
-10	154	3.7
-8	154	3.5
-6	154	3.5
-4	154	3.6
-2	154	3.8
0	154	4.1
2	154	4.4
4	154	4.8
6	154	5
8	154	5.1
10	154	5.1
12	154	4.9
14	154	4.4
16	154	3.6
18	154	2.4
20	154	0.8
22	154	-1
24	154	-2.1
26	154	-1.5

28	154	-4.44E-16
30	154	1.6
32	154	2.7
34	154	3.3
36	154	3.3
38	154	2.8
40	154	1.7
42	154	0.4
44	154	-0.6
46	154	-0.5
48	154	0.5
50	154	1.4
52	154	1.9
54	154	1.7
56	154	0.8
58	154	-0.5
60	154	-1.4
62	154	-1.2
64	154	-0.2
66	154	0.6
68	154	0.6
70	154	-0.6
72	154	-3
74	154	-6.3
76	154	-6
78	154	-2.5
80	154	-0.3
82	154	0.5
84	154	-0.2
86	154	-2.8
88	154	-9.3
90	154	-18.8
92	154	-5.2
94	154	-0.9
96	154	0.9
98	154	1.1
100	154	-0.2
102	154	-3.4
104	154	-8.2
106	154	-6.1
108	154	-1.4
110	154	1.2
112	154	2.4
114	154	2.3
116	154	1.2
118	154	-1.1
120	154	-3.7
122	154	-3.1
124	154	-0.2
126	154	2.2
128	154	3.6
130	154	4.2
132	154	4.1
134	154	3.2
136	154	1.5
138	154	-1
140	154	-3.9
142	154	-4.5
144	154	-2
146	154	0.6
148	154	2.5
150	154	3.8
152	154	4.7
154	154	5.2
156	154	5.4
158	154	5.4
160	154	5.2
162	154	4.9
164	154	4.6
166	154	4.3
168	154	3.9
170	154	3.7
172	154	3.6
174	154	3.5
176	154	3.7
178	154	3.9
180	154	4.2
-180	156	4
-178	156	3.7
-176	156	3.3
-174	156	2.7
-172	156	1.9
-170	156	0.9
-168	156	-0.3
-166	156	-1.6
-164	156	-2.4
-162	156	-2.3
-160	156	-1.2
-158	156	0.2
-156	156	1.5
-154	156	2.5
-152	156	3.1
-150	156	3.2
-148	156	3
-146	156	2.3
-144	156	1.3
-142	156	0
-140	156	-1
-138	156	-1.1
-136	156	-0.2
-134	156	0.9
-132	156	1.7
-130	156	2
-128	156	1.6
-126	156	0.7
-124	156	-0.6
-122	156	-1.8
-120	156	-1.8
-118	156	-0.9
-116	156	0.1
-114	156	0.5
-112	156	-1.29E-14
-110	156	-1.4
-108	156	-4.1
-106	156	-6.7
-104	156	-5.5
-102	156	-2.6
-100	156	-0.6
-98	156	8.88E-16

-96	156	-0.6
-94	156	-2.9
-92	156	-8
-90	156	-20.2
-88	156	-7.6
-86	156	-2.4
-84	156	0
-82	156	0.8
-80	156	0.3
-78	156	-1.6
-76	156	-5.3
-74	156	-9.8
-72	156	-5.9
-70	156	-1.6
-68	156	0.9
-66	156	2
-64	156	2.1
-62	156	1.3
-60	156	-0.4
-58	156	-2.9
-56	156	-4.6
-54	156	-2.9
-52	156	-0.1
-50	156	1.9
-48	156	3.2
-46	156	3.8
-44	156	3.9
-42	156	3.5
-40	156	2.6
-38	156	1.1
-36	156	-0.8
-34	156	-2.9
-32	156	-4.3
-30	156	-3.8
-28	156	-2.1
-26	156	-0.4
-24	156	1.1
-22	156	2.1
-20	156	2.9
-18	156	3.5
-16	156	3.9
-14	156	4.2
-12	156	4.3
-10	156	4.4
-8	156	4.4
-6	156	4.4
-4	156	4.3
-2	156	4.1
0	156	3.9
2	156	3.5
4	156	3.1
6	156	2.5
8	156	1.8
10	156	0.8
12	156	-0.3
14	156	-1.4
16	156	-2.2
18	156	-2.2
20	156	-1.2
22	156	0.2
24	156	1.5
26	156	2.5
28	156	3.1
30	156	3.3
32	156	3.2
34	156	2.6
36	156	1.6
38	156	0.3
40	156	-0.7
42	156	-0.8
44	156	-3.55E-15
46	156	1
48	156	1.8
50	156	2.1
52	156	1.7
54	156	0.8
56	156	-0.5
58	156	-1.6
60	156	-1.6
62	156	-0.7
64	156	0.3
66	156	0.7
68	156	0.3
70	156	-1.2
72	156	-3.9
74	156	-6.9
76	156	-5.8
78	156	-2.6
80	156	-0.6
82	156	0.1
84	156	-0.4
86	156	-2.6
88	156	-7.6
90	156	-22.3
92	156	-8
94	156	-2.5
96	156	-0.1
98	156	0.8
100	156	0.3
102	156	-1.5
104	156	-5.3
106	156	-9.7
108	156	-5.8
110	156	-1.5
112	156	0.9
114	156	2.1
116	156	2.2
118	156	1.4
120	156	-0.4
122	156	-2.9
124	156	-4.6
126	156	-2.8
128	156	1.33E-15
130	156	2
132	156	3.3
134	156	3.9
136	156	4
138	156	3.5
140	156	2.5

142	156	1
144	156	-0.9
146	156	-3.1
148	156	-4.4
150	156	-3.7
152	156	-2
154	156	-0.2
156	156	1.2
158	156	2.2
160	156	3
162	156	3.6
164	156	4
166	156	4.2
168	156	4.4
170	156	4.4
172	156	4.5
174	156	4.4
176	156	4.4
178	156	4.2
180	156	4
-180	158	-4.7
-178	158	-5
-176	158	-4.9
-174	158	-4.3
-172	158	-3.2
-170	158	-1.8
-168	158	-0.4
-166	158	0.9
-164	158	2
-162	158	2.8
-160	158	3.4
-158	158	3.8
-156	158	3.8
-154	158	3.5
-152	158	2.9
-150	158	1.9
-148	158	0.5
-146	158	-1
-144	158	-2.3
-142	158	-2.2
-140	158	-1
-138	158	0.4
-136	158	1.5
-134	158	2.1
-132	158	2.1
-130	158	1.6
-128	158	0.5
-126	158	-1
-124	158	-2.6
-122	158	-2.9
-120	158	-1.9
-118	158	-0.7
-116	158	0.1
-114	158	0.2
-112	158	-0.6
-110	158	-2.3
-108	158	-5
-106	158	-7.2
-104	158	-5.6
-102	158	-2.9
-100	158	-1.2
-98	158	-0.5
-96	158	-1
-94	158	-2.8
-92	158	-6.7
-90	158	-15.7
-88	158	-11.1
-86	158	-4.5
-84	158	-1.4
-82	158	0.1
-80	158	0.4
-78	158	-0.5
-76	158	-2.6
-74	158	-6.6
-72	158	-11
-70	158	-6.7
-68	158	-2.3
-66	158	0.3
-64	158	1.6
-62	158	2.1
-60	158	1.9
-58	158	0.9
-56	158	-0.9
-54	158	-3.4
-52	158	-5.4
-50	158	-4.3
-48	158	-1.7
-46	158	0.6
-44	158	2.2
-42	158	3.3
-40	158	3.9
-38	158	4.1
-36	158	4
-34	158	3.5
-32	158	2.9
-30	158	2
-28	158	0.9
-26	158	-0.4
-24	158	-1.8
-22	158	-3.1
-20	158	-4.2
-18	158	-4.8
-16	158	-4.9
-14	158	-4.7
-12	158	-4.4
-10	158	-4.2
-8	158	-4
-6	158	-4.1
-4	158	-4.3
-2	158	-4.6
0	158	-4.9
2	158	-5.1
4	158	-4.8
6	158	-4
8	158	-2.9
10	158	-1.5
12	158	-0.2
14	158	1
16	158	2

18	158	2.9
20	158	3.4
22	158	3.7
24	158	3.8
26	158	3.5
28	158	2.9
30	158	2
32	158	0.6
34	158	-0.9
36	158	-2
38	158	-2
40	158	-0.9
42	158	0.5
44	158	1.6
46	158	2.1
48	158	2.2
50	158	1.7
52	158	0.6
54	158	-0.9
56	158	-2.4
58	158	-2.7
60	158	-1.8
62	158	-0.5
64	158	0.3
66	158	0.3
68	158	-0.4
70	158	-2.1
72	158	-4.7
74	158	-6.9
76	158	-5.6
78	158	-2.9
80	158	-1.1
82	158	-0.5
84	158	-0.9
86	158	-2.7
88	158	-6.7
90	158	-16
92	158	-11.5
94	158	-4.6
96	158	-1.4
98	158	-8.88E-16
100	158	0.3
102	158	-0.5
104	158	-2.7
106	158	-6.7
108	158	-10.7
110	158	-6.3
112	158	-2.1
114	158	0.4
116	158	1.8
118	158	2.2
120	158	1.9
122	158	0.9
124	158	-1
126	158	-3.5
128	158	-5.4
130	158	-4.2
132	158	-1.4
134	158	0.8
136	158	2.3
138	158	3.3
140	158	3.9
142	158	4.1
144	158	3.9
146	158	3.5
148	158	2.8
150	158	2
152	158	0.9
154	158	-0.3
156	158	-1.6
158	158	-2.8
160	158	-3.7
162	158	-4.2
164	158	-4.3
166	158	-4.2
168	158	-4
170	158	-3.8
172	158	-3.7
174	158	-3.7
176	158	-4
178	158	-4.3
180	158	-4.7
-180	160	2.2
-178	160	2.4
-176	160	2.7
-174	160	3
-172	160	3.3
-170	160	3.6
-168	160	3.8
-166	160	3.9
-164	160	3.9
-162	160	3.7
-160	160	3.3
-158	160	2.7
-156	160	1.7
-154	160	0.5
-152	160	-1
-150	160	-2.5
-148	160	-3.3
-146	160	-2.9
-144	160	-1.5
-142	160	-0.1
-140	160	1
-138	160	1.7
-136	160	1.9
-134	160	1.6
-132	160	0.9
-130	160	-0.4
-128	160	-1.9
-126	160	-3.4
-124	160	-3.6
-122	160	-2.6
-120	160	-1.2
-118	160	-0.3
-116	160	-4.44E-16
-114	160	-0.4
-112	160	-1.5
-110	160	-3.5
-108	160	-6.2

-106	160	-7.5
-104	160	-5.6
-102	160	-3.1
-100	160	-1.6
-98	160	-1
-96	160	-1.3
-94	160	-2.7
-92	160	-5.7
-90	160	-12.2
-88	160	-17.7
-86	160	-7.9
-84	160	-3.5
-82	160	-1.2
-80	160	-0.2
-78	160	-0.2
-76	160	-1
-74	160	-3
-72	160	-6.5
-70	160	-11
-68	160	-8.4
-66	160	-3.9
-64	160	-1
-62	160	0.8
-60	160	1.7
-58	160	2
-56	160	1.7
-54	160	0.8
-52	160	-0.7
-50	160	-2.9
-48	160	-5.4
-46	160	-6.3
-44	160	-4.4
-42	160	-1.8
-40	160	0.3
-38	160	1.8
-36	160	2.9
-34	160	3.7
-32	160	4.2
-30	160	4.4
-28	160	4.5
-26	160	4.4
-24	160	4.2
-22	160	4
-20	160	3.6
-18	160	3.3
-16	160	2.9
-14	160	2.6
-12	160	2.3
-10	160	2
-8	160	1.9
-6	160	1.9
-4	160	1.9
-2	160	2.1
0	160	2.3
2	160	2.6
4	160	2.9
6	160	3.3
8	160	3.5
10	160	3.8
12	160	4
14	160	4
16	160	4
18	160	3.7
20	160	3.3
22	160	2.6
24	160	1.7
26	160	0.4
28	160	-1.1
30	160	-2.6
32	160	-3.4
34	160	-2.9
36	160	-1.5
38	160	-0.1
40	160	1
42	160	1.7
44	160	1.9
46	160	1.7
48	160	0.9
50	160	-0.3
52	160	-1.9
54	160	-3.3
56	160	-3.6
58	160	-2.6
60	160	-1.3
62	160	-0.4
64	160	-0.1
66	160	-0.4
68	160	-1.6
70	160	-3.5
72	160	-6.1
74	160	-7.2
76	160	-5.4
78	160	-3.1
80	160	-1.6
82	160	-1
84	160	-1.4
86	160	-2.9
88	160	-6.1
90	160	-13.1
92	160	-17.4
94	160	-7.5
96	160	-3.3
98	160	-1.1
100	160	-0.2
102	160	-0.2
104	160	-1.1
106	160	-3.2
108	160	-6.9
110	160	-11.1
112	160	-8
114	160	-3.5
116	160	-0.7
118	160	1
120	160	1.8
122	160	2.1
124	160	1.7
126	160	0.8
128	160	-0.8
130	160	-3

132	160	-5.6
134	160	-6.3
136	160	-4.3
138	160	-1.7
140	160	0.3
142	160	1.9
144	160	2.9
146	160	3.7
148	160	4.2
150	160	4.4
152	160	4.5
154	160	4.5
156	160	4.3
158	160	4.1
160	160	3.8
162	160	3.4
164	160	3.1
166	160	2.7
168	160	2.4
170	160	2.2
172	160	2
174	160	1.9
176	160	1.9
178	160	2
180	160	2.2
-180	162	3.5
-178	162	3.3
-176	162	3
-174	162	2.8
-172	162	2.4
-170	162	1.9
-168	162	1.4
-166	162	0.7
-164	162	-0.2
-162	162	-1.2
-160	162	-2.3
-158	162	-3.3
-156	162	-3.9
-154	162	-3.7
-152	162	-2.8
-150	162	-1.7
-148	162	-0.5
-146	162	0.4
-144	162	1
-142	162	1.3
-140	162	1.3
-138	162	0.9
-136	162	0.1
-134	162	-1
-132	162	-2.5
-130	162	-3.8
-128	162	-4.3
-126	162	-3.6
-124	162	-2.2
-122	162	-1
-120	162	-0.3
-118	162	8.88E-16
-116	162	-0.3
-114	162	-1.3
-112	162	-3
-110	162	-5.5
-108	162	-8.1
-106	162	-8
-104	162	-5.4
-102	162	-3.1
-100	162	-1.7
-98	162	-1.1
-96	162	-1.3
-94	162	-2.4
-92	162	-4.7
-90	162	-9.1
-88	162	-20.2
-86	162	-13.7
-84	162	-6.6
-82	162	-3.2
-80	162	-1.3
-78	162	-0.5
-76	162	-0.4
-74	162	-1
-72	162	-2.5
-70	162	-5
-68	162	-8.7
-66	162	-10.9
-64	162	-7.3
-62	162	-3.7
-60	162	-1.3
-58	162	0.3
-56	162	1.2
-54	162	1.6
-52	162	1.6
-50	162	1.2
-48	162	0.3
-46	162	-1
-44	162	-2.7
-42	162	-4.5
-40	162	-5.9
-38	162	-5.8
-36	162	-4.2
-34	162	-2.5
-32	162	-0.9
-30	162	0.4
-28	162	1.4
-26	162	2.1
-24	162	2.7
-22	162	3.1
-20	162	3.4
-18	162	3.6
-16	162	3.7
-14	162	3.8
-12	162	3.8
-10	162	3.8
-8	162	3.8
-6	162	3.8
-4	162	3.7
-2	162	3.6
0	162	3.5
2	162	3.3
4	162	3.1
6	162	2.8

8	162	2.5
10	162	2
12	162	1.5
14	162	0.7
16	162	-0.1
18	162	-1.2
20	162	-2.3
22	162	-3.4
24	162	-4
26	162	-3.8
28	162	-2.9
30	162	-1.8
32	162	-0.6
34	162	0.3
36	162	0.9
38	162	1.3
40	162	1.3
42	162	0.9
44	162	0.1
46	162	-1
48	162	-2.4
50	162	-3.8
52	162	-4.3
54	162	-3.6
56	162	-2.3
58	162	-1.2
60	162	-0.4
62	162	-0.2
64	162	-0.5
66	162	-1.5
68	162	-3.2
70	162	-5.7
72	162	-8.3
74	162	-8
76	162	-5.4
78	162	-3.2
80	162	-1.8
82	162	-1.3
84	162	-1.5
86	162	-2.7
88	162	-5.1
90	162	-9.8
92	162	-23.6
94	162	-12.9
96	162	-6.3
98	162	-3
100	162	-1.3
102	162	-0.5
104	162	-0.4
106	162	-1.1
108	162	-2.7
110	162	-5.3
112	162	-9.2
114	162	-10.9
116	162	-7
118	162	-3.5
120	162	-1.1
122	162	0.4
124	162	1.2
126	162	1.6
128	162	1.5
130	162	1.1
132	162	0.2
134	162	-1.1
136	162	-2.8
138	162	-4.7
140	162	-6
142	162	-5.8
144	162	-4.3
146	162	-2.5
148	162	-0.9
150	162	0.3
152	162	1.3
154	162	2.1
156	162	2.7
158	162	3.1
160	162	3.4
162	162	3.7
164	162	3.8
166	162	3.9
168	162	3.9
170	162	3.9
172	162	3.9
174	162	3.8
176	162	3.7
178	162	3.6
180	162	3.5
-180	164	-3.8
-178	164	-4.3
-176	164	-4.9
-174	164	-5.5
-172	164	-5.9
-170	164	-6
-168	164	-5.7
-166	164	-5
-164	164	-4
-162	164	-2.9
-160	164	-1.8
-158	164	-0.9
-156	164	4.88E-15
-154	164	0.6
-152	164	1.1
-150	164	1.3
-148	164	1.4
-146	164	1.2
-144	164	0.7
-142	164	-0.1
-140	164	-1.2
-138	164	-2.6
-136	164	-4.3
-134	164	-5.7
-132	164	-5.9
-130	164	-4.7
-128	164	-3
-126	164	-1.6
-124	164	-0.6
-122	164	3.11E-15
-120	164	0.1
-118	164	-0.3

-116	164	-1.3
-114	164	-2.8
-112	164	-5.2
-110	164	-8.4
-108	164	-10.5
-106	164	-8.3
-104	164	-5.3
-102	164	-3.1
-100	164	-1.9
-98	164	-1.3
-96	164	-1.4
-94	164	-2.2
-92	164	-3.9
-90	164	-6.9
-88	164	-12.8
-86	164	-28.3
-84	164	-11.5
-82	164	-6.1
-80	164	-3.2
-78	164	-1.5
-76	164	-0.6
-74	164	-0.4
-72	164	-0.7
-70	164	-1.6
-68	164	-3.1
-66	164	-5.6
-64	164	-9.1
-62	164	-11.7
-60	164	-9
-58	164	-5.4
-56	164	-2.8
-54	164	-1
-52	164	0.3
-50	164	1.1
-48	164	1.5
-46	164	1.6
-44	164	1.5
-42	164	1.1
-40	164	0.6
-38	164	-0.2
-36	164	-1.2
-34	164	-2.3
-32	164	-3.5
-30	164	-4.7
-28	164	-5.6
-26	164	-6.1
-24	164	-6.1
-22	164	-5.7
-20	164	-5.1
-18	164	-4.5
-16	164	-4
-14	164	-3.6
-12	164	-3.3
-10	164	-3.1
-8	164	-3
-6	164	-3.1
-4	164	-3.2
-2	164	-3.5
0	164	-3.9
2	164	-4.4
4	164	-4.9
6	164	-5.4
8	164	-5.8
10	164	-5.8
12	164	-5.5
14	164	-4.8
16	164	-3.8
18	164	-2.8
20	164	-1.7
22	164	-0.8
24	164	4.00E-15
26	164	0.6
28	164	1
30	164	1.3
32	164	1.3
34	164	1.1
36	164	0.6
38	164	-0.2
40	164	-1.3
42	164	-2.7
44	164	-4.4
46	164	-5.7
48	164	-5.8
50	164	-4.6
52	164	-3
54	164	-1.6
56	164	-0.6
58	164	-0.1
60	164	0
62	164	-0.4
64	164	-1.4
66	164	-3
68	164	-5.5
70	164	-8.9
72	164	-11
74	164	-8.5
76	164	-5.4
78	164	-3.2
80	164	-1.9
82	164	-1.3
84	164	-1.5
86	164	-2.3
88	164	-4
90	164	-7.1
92	164	-13.2
94	164	-29.4
96	164	-11.4
98	164	-6.1
100	164	-3.2
102	164	-1.6
104	164	-0.7
106	164	-0.4
108	164	-0.7
110	164	-1.6
112	164	-3.2
114	164	-5.7
116	164	-9.1
118	164	-11.7
120	164	-9.1

122	164	-5.5
124	164	-2.9
126	164	-1.1
128	164	0.1
130	164	0.9
132	164	1.3
134	164	1.5
136	164	1.4
138	164	1
140	164	0.5
142	164	-0.2
144	164	-1.1
146	164	-2.2
148	164	-3.2
150	164	-4.3
152	164	-5.1
154	164	-5.6
156	164	-5.6
158	164	-5.3
160	164	-4.8
162	164	-4.3
164	164	-3.8
166	164	-3.4
168	164	-3.1
170	164	-2.9
172	164	-2.8
174	164	-2.9
176	164	-3.1
178	164	-3.4
180	164	-3.8
-180	166	-1.5
-178	166	-1.2
-176	166	-0.9
-174	166	-0.5
-172	166	-0.1
-170	166	0.3
-168	166	0.7
-166	166	1
-164	166	1.3
-162	166	1.5
-160	166	1.6
-158	166	1.6
-156	166	1.5
-154	166	1.2
-152	166	0.8
-150	166	0.1
-148	166	-0.8
-146	166	-1.9
-144	166	-3.4
-142	166	-5.3
-140	166	-7.2
-138	166	-8.2
-136	166	-7.4
-134	166	-5.5
-132	166	-3.7
-130	166	-2.3
-128	166	-1.2
-126	166	-0.5
-124	166	-0.3
-122	166	-0.4
-120	166	-0.9
-118	166	-1.8
-116	166	-3.3
-114	166	-5.6
-112	166	-8.7
-110	166	-11.8
-108	166	-10.9
-106	166	-7.6
-104	166	-4.9
-102	166	-3.1
-100	166	-2.1
-98	166	-1.6
-96	166	-1.6
-94	166	-2.3
-92	166	-3.5
-90	166	-5.7
-88	166	-9.3
-86	166	-17
-84	166	-22.3
-82	166	-10.9
-80	166	-6.4
-78	166	-3.7
-76	166	-2.1
-74	166	-1.1
-72	166	-0.6
-70	166	-0.6
-68	166	-1
-66	166	-1.8
-64	166	-3.2
-62	166	-5.2
-60	166	-8.2
-58	166	-11.8
-56	166	-12.7
-54	166	-9.1
-52	166	-5.8
-50	166	-3.4
-48	166	-1.7
-46	166	-0.4
-44	166	0.5
-42	166	1.1
-40	166	1.6
-38	166	1.8
-36	166	1.9
-34	166	1.9
-32	166	1.8
-30	166	1.6
-28	166	1.3
-26	166	0.9
-24	166	0.6
-22	166	0.1
-20	166	-0.3
-18	166	-0.7
-16	166	-1
-14	166	-1.4
-12	166	-1.6
-10	166	-1.8
-8	166	-1.9
-6	166	-1.9
-4	166	-1.8

-2	166	-1.6
0	166	-1.4
2	166	-1.1
4	166	-0.7
6	166	-0.3
8	166	0.1
10	166	0.5
12	166	0.9
14	166	1.2
16	166	1.4
18	166	1.6
20	166	1.7
22	166	1.7
24	166	1.5
26	166	1.2
28	166	0.7
30	166	0.1
32	166	-0.9
34	166	-2.1
36	166	-3.7
38	166	-5.6
40	166	-7.5
42	166	-8.3
44	166	-7.2
46	166	-5.3
48	166	-3.5
50	166	-2
52	166	-1
54	166	-0.4
56	166	-0.1
58	166	-0.3
60	166	-0.8
62	166	-1.8
64	166	-3.4
66	166	-5.7
68	166	-9
70	166	-12.6
72	166	-11.4
74	166	-7.7
76	166	-4.9
78	166	-3.1
80	166	-2
82	166	-1.5
84	166	-1.6
86	166	-2.2
88	166	-3.4
90	166	-5.5
92	166	-9.1
94	166	-16.5
96	166	-23
98	166	-11.1
100	166	-6.5
102	166	-3.8
104	166	-2.1
106	166	-1.1
108	166	-0.6
110	166	-0.5
112	166	-0.9
114	166	-1.7
116	166	-3
118	166	-5
120	166	-7.8
122	166	-11.5
124	166	-13.2
126	166	-9.9
128	166	-6.4
130	166	-3.9
132	166	-2
134	166	-0.7
136	166	0.3
138	166	1
140	166	1.5
142	166	1.8
144	166	1.9
146	166	1.9
148	166	1.8
150	166	1.7
152	166	1.4
154	166	1.1
156	166	0.7
158	166	0.3
160	166	-0.1
162	166	-0.5
164	166	-0.9
166	166	-1.2
168	166	-1.5
170	166	-1.7
172	166	-1.8
174	166	-1.9
176	166	-1.8
178	166	-1.7
180	166	-1.5
-180	168	1.3
-178	168	1.3
-176	168	1.2
-174	168	1.1
-172	168	1
-170	168	0.8
-168	168	0.6
-166	168	0.3
-164	168	-1.17E-13
-162	168	-0.5
-160	168	-1
-158	168	-1.8
-156	168	-2.7
-154	168	-3.8
-152	168	-5.2
-150	168	-6.8
-148	168	-8.5
-146	168	-9.7
-144	168	-9.5
-142	168	-8.1
-140	168	-6.3
-138	168	-4.7
-136	168	-3.4
-134	168	-2.3
-132	168	-1.6
-130	168	-1.1
-128	168	-0.9

-126	168	-1
-124	168	-1.4
-122	168	-2.1
-120	168	-3.2
-118	168	-4.8
-116	168	-7
-114	168	-9.9
-112	168	-12.5
-110	168	-11.7
-108	168	-8.8
-106	168	-6.2
-104	168	-4.4
-102	168	-3.1
-100	168	-2.3
-98	168	-2
-96	168	-2
-94	168	-2.5
-92	168	-3.4
-90	168	-5
-88	168	-7.4
-86	168	-11.4
-84	168	-20.1
-82	168	-22.2
-80	168	-12
-78	168	-7.6
-76	168	-4.9
-74	168	-3.2
-72	168	-2
-70	168	-1.3
-68	168	-0.9
-66	168	-0.9
-64	168	-1.1
-62	168	-1.7
-60	168	-2.5
-58	168	-3.8
-56	168	-5.5
-54	168	-7.8
-52	168	-10.7
-50	168	-13.3
-48	168	-12.7
-46	168	-9.8
-44	168	-7.1
-42	168	-5.1
-40	168	-3.5
-38	168	-2.2
-36	168	-1.3
-34	168	-0.5
-32	168	0.1
-30	168	0.5
-28	168	0.9
-26	168	1.1
-24	168	1.3
-22	168	1.5
-20	168	1.5
-18	168	1.6
-16	168	1.6
-14	168	1.6
-12	168	1.6
-10	168	1.6
-8	168	1.6
-6	168	1.6
-4	168	1.5
-2	168	1.5
0	168	1.5
2	168	1.5
4	168	1.4
6	168	1.3
8	168	1.2
10	168	1.1
12	168	0.9
14	168	0.6
16	168	0.2
18	168	-0.2
20	168	-0.8
22	168	-1.6
24	168	-2.6
26	168	-3.7
28	168	-5.2
30	168	-6.9
32	168	-8.8
34	168	-10.1
36	168	-9.8
38	168	-8.2
40	168	-6.2
42	168	-4.5
44	168	-3.1
46	168	-2.1
48	168	-1.4
50	168	-0.9
52	168	-0.7
54	168	-0.8
56	168	-1.2
58	168	-1.9
60	168	-3
62	168	-4.7
64	168	-6.9
66	168	-9.9
68	168	-12.9
70	168	-12.1
72	168	-8.9
74	168	-6.2
76	168	-4.3
78	168	-3
80	168	-2.2
82	168	-1.9
84	168	-1.9
86	168	-2.3
88	168	-3.3
90	168	-4.8
92	168	-7.1
94	168	-10.9
96	168	-18.9
98	168	-23.3
100	168	-12.3
102	168	-7.7
104	168	-5
106	168	-3.2
108	168	-2
110	168	-1.3

112	168	-0.9
114	168	-0.8
116	168	-1
118	168	-1.5
120	168	-2.4
122	168	-3.6
124	168	-5.3
126	168	-7.6
128	168	-10.6
130	168	-13.8
132	168	-13.7
134	168	-10.5
136	168	-7.6
138	168	-5.3
140	168	-3.7
142	168	-2.4
144	168	-1.3
146	168	-0.6
148	168	0.1
150	168	0.5
152	168	0.9
154	168	1.2
156	168	1.3
158	168	1.5
160	168	1.5
162	168	1.6
164	168	1.6
166	168	1.6
168	168	1.5
170	168	1.5
172	168	1.5
174	168	1.4
176	168	1.4
178	168	1.4
180	168	1.3
-180	170	-4.7
-178	170	-5
-176	170	-5.4
-174	170	-5.9
-172	170	-6.5
-170	170	-7.1
-168	170	-7.8
-166	170	-8.6
-164	170	-9.4
-162	170	-10.1
-160	170	-10.4
-158	170	-10.2
-156	170	-9.5
-154	170	-8.4
-152	170	-7.2
-150	170	-6.1
-148	170	-5
-146	170	-4.1
-144	170	-3.2
-142	170	-2.6
-140	170	-2.1
-138	170	-1.7
-136	170	-1.5
-134	170	-1.4
-132	170	-1.6
-130	170	-1.9
-128	170	-2.4
-126	170	-3.1
-124	170	-4.2
-122	170	-5.6
-120	170	-7.4
-118	170	-9.7
-116	170	-12.1
-114	170	-13
-112	170	-11.2
-110	170	-8.7
-108	170	-6.6
-106	170	-5
-104	170	-3.8
-102	170	-3
-100	170	-2.5
-98	170	-2.3
-96	170	-2.3
-94	170	-2.7
-92	170	-3.4
-90	170	-4.5
-88	170	-6
-86	170	-8.3
-84	170	-11.7
-82	170	-18.1
-80	170	-30
-78	170	-15.8
-76	170	-10.5
-74	170	-7.4
-72	170	-5.3
-70	170	-3.8
-68	170	-2.8
-66	170	-2
-64	170	-1.5
-62	170	-1.3
-60	170	-1.2
-58	170	-1.3
-56	170	-1.6
-54	170	-2.1
-52	170	-2.7
-50	170	-3.5
-48	170	-4.5
-46	170	-5.7
-44	170	-7.2
-42	170	-8.8
-40	170	-10.5
-38	170	-12
-36	170	-12.6
-34	170	-12.2
-32	170	-11.1
-30	170	-9.8
-28	170	-8.6
-26	170	-7.5
-24	170	-6.6
-22	170	-5.9
-20	170	-5.3
-18	170	-4.9
-16	170	-4.5
-14	170	-4.2

-12	170	-4.1
-10	170	-3.9
-8	170	-3.9
-6	170	-3.9
-4	170	-4
-2	170	-4.1
0	170	-4.4
2	170	-4.7
4	170	-5
6	170	-5.5
8	170	-6.1
10	170	-6.7
12	170	-7.5
14	170	-8.4
16	170	-9.3
18	170	-10.2
20	170	-10.8
22	170	-10.8
24	170	-10.1
26	170	-9
28	170	-7.7
30	170	-6.4
32	170	-5.2
34	170	-4.2
36	170	-3.3
38	170	-2.6
40	170	-2
42	170	-1.6
44	170	-1.4
46	170	-1.3
48	170	-1.4
50	170	-1.7
52	170	-2.2
54	170	-2.9
56	170	-3.9
58	170	-5.3
60	170	-7.1
62	170	-9.4
64	170	-11.8
66	170	-12.9
68	170	-11.3
70	170	-8.8
72	170	-6.7
74	170	-5
76	170	-3.8
78	170	-3
80	170	-2.5
82	170	-2.2
84	170	-2.3
86	170	-2.6
88	170	-3.3
90	170	-4.3
92	170	-5.9
94	170	-8.1
96	170	-11.5
98	170	-17.7
100	170	-36.9
102	170	-16.3
104	170	-10.8
106	170	-7.6
108	170	-5.4
110	170	-3.9
112	170	-2.8
114	170	-2.1
116	170	-1.6
118	170	-1.3
120	170	-1.2
122	170	-1.3
124	170	-1.6
126	170	-2.1
128	170	-2.7
130	170	-3.6
132	170	-4.6
134	170	-5.8
136	170	-7.3
138	170	-9
140	170	-10.7
142	170	-12.3
144	170	-12.9
146	170	-12.4
148	170	-11.2
150	170	-9.9
152	170	-8.6
154	170	-7.6
156	170	-6.7
158	170	-6
160	170	-5.4
162	170	-5
164	170	-4.7
166	170	-4.4
168	170	-4.3
170	170	-4.2
172	170	-4.1
174	170	-4.2
176	170	-4.3
178	170	-4.5
180	170	-4.7
-180	172	-5.8
-178	172	-5.6
-176	172	-5.3
-174	172	-5
-172	172	-4.7
-170	172	-4.4
-168	172	-4
-166	172	-3.7
-164	172	-3.3
-162	172	-3
-160	172	-2.6
-158	172	-2.3
-156	172	-2.1
-154	172	-1.9
-152	172	-1.7
-150	172	-1.5
-148	172	-1.5
-146	172	-1.5
-144	172	-1.5
-142	172	-1.7
-140	172	-1.9
-138	172	-2.3

-136	172	-2.8
-134	172	-3.4
-132	172	-4.2
-130	172	-5.1
-128	172	-6.4
-126	172	-7.9
-124	172	-9.7
-122	172	-11.8
-120	172	-13.5
-118	172	-13.6
-116	172	-11.9
-114	172	-9.8
-112	172	-7.9
-110	172	-6.3
-108	172	-5.1
-106	172	-4.1
-104	172	-3.4
-102	172	-2.9
-100	172	-2.6
-98	172	-2.5
-96	172	-2.5
-94	172	-2.8
-92	172	-3.2
-90	172	-3.9
-88	172	-4.8
-86	172	-6
-84	172	-7.7
-82	172	-9.9
-80	172	-13.2
-78	172	-18.7
-76	172	-26.9
-74	172	-18.7
-72	172	-13.3
-70	172	-10
-68	172	-7.8
-66	172	-6.1
-64	172	-4.8
-62	172	-3.8
-60	172	-3.1
-58	172	-2.5
-56	172	-2.1
-54	172	-1.8
-52	172	-1.6
-50	172	-1.5
-48	172	-1.4
-46	172	-1.5
-44	172	-1.6
-42	172	-1.8
-40	172	-2.1
-38	172	-2.4
-36	172	-2.7
-34	172	-3.1
-32	172	-3.5
-30	172	-3.9
-28	172	-4.3
-26	172	-4.7
-24	172	-5
-22	172	-5.4
-20	172	-5.7
-18	172	-6
-16	172	-6.3
-14	172	-6.5
-12	172	-6.6
-10	172	-6.7
-8	172	-6.8
-6	172	-6.7
-4	172	-6.6
-2	172	-6.5
0	172	-6.3
2	172	-6.1
4	172	-5.8
6	172	-5.5
8	172	-5.1
10	172	-4.8
12	172	-4.4
14	172	-4
16	172	-3.6
18	172	-3.3
20	172	-2.9
22	172	-2.6
24	172	-2.3
26	172	-2
28	172	-1.8
30	172	-1.7
32	172	-1.6
34	172	-1.5
36	172	-1.6
38	172	-1.7
40	172	-1.9
42	172	-2.2
44	172	-2.7
46	172	-3.3
48	172	-4
50	172	-5
52	172	-6.1
54	172	-7.6
56	172	-9.3
58	172	-11.3
60	172	-12.9
62	172	-13.2
64	172	-11.8
66	172	-9.8
68	172	-7.9
70	172	-6.4
72	172	-5.2
74	172	-4.2
76	172	-3.5
78	172	-2.9
80	172	-2.6
82	172	-2.5
84	172	-2.5
86	172	-2.8
88	172	-3.2
90	172	-3.9
92	172	-4.8
94	172	-6
96	172	-7.7
98	172	-10
100	172	-13.3

102	172	-18.8
104	172	-29.3
106	172	-19.1
108	172	-13.5
110	172	-10.1
112	172	-7.9
114	172	-6.2
116	172	-4.9
118	172	-3.9
120	172	-3.2
122	172	-2.6
124	172	-2.1
126	172	-1.8
128	172	-1.6
130	172	-1.5
132	172	-1.5
134	172	-1.6
136	172	-1.7
138	172	-1.9
140	172	-2.2
142	172	-2.5
144	172	-2.8
146	172	-3.1
148	172	-3.5
150	172	-3.9
152	172	-4.2
154	172	-4.6
156	172	-5
158	172	-5.3
160	172	-5.6
162	172	-5.8
164	172	-6
166	172	-6.2
168	172	-6.3
170	172	-6.3
172	172	-6.3
174	172	-6.3
176	172	-6.2
178	172	-6
180	172	-5.8
-180	174	-1.4
-178	174	-1.4
-176	174	-1.4
-174	174	-1.4
-172	174	-1.5
-170	174	-1.5
-168	174	-1.6
-166	174	-1.6
-164	174	-1.7
-162	174	-1.9
-160	174	-2
-158	174	-2.2
-156	174	-2.4
-154	174	-2.7
-152	174	-3
-150	174	-3.4
-148	174	-3.8
-146	174	-4.4
-144	174	-5
-142	174	-5.8
-140	174	-6.6
-138	174	-7.7
-136	174	-8.9
-134	174	-10.4
-132	174	-12.1
-130	174	-13.9
-128	174	-15.3
-126	174	-15.4
-124	174	-14.1
-122	174	-12.2
-120	174	-10.4
-118	174	-8.8
-116	174	-7.4
-114	174	-6.3
-112	174	-5.3
-110	174	-4.5
-108	174	-3.9
-106	174	-3.4
-104	174	-3
-102	174	-2.7
-100	174	-2.5
-98	174	-2.5
-96	174	-2.5
-94	174	-2.6
-92	174	-2.9
-90	174	-3.2
-88	174	-3.7
-86	174	-4.3
-84	174	-5.1
-82	174	-6.1
-80	174	-7.2
-78	174	-8.7
-76	174	-10.5
-74	174	-12.9
-72	174	-16.2
-70	174	-21.3
-68	174	-26.3
-66	174	-20.7
-64	174	-16
-62	174	-12.9
-60	174	-10.7
-58	174	-9
-56	174	-7.7
-54	174	-6.6
-52	174	-5.7
-50	174	-4.9
-48	174	-4.3
-46	174	-3.8
-44	174	-3.4
-42	174	-3
-40	174	-2.7
-38	174	-2.4
-36	174	-2.2
-34	174	-2.1
-32	174	-1.9
-30	174	-1.8
-28	174	-1.7
-26	174	-1.7
-24	174	-1.6

-22	174	-1.6
-20	174	-1.6
-18	174	-1.5
-16	174	-1.5
-14	174	-1.5
-12	174	-1.5
-10	174	-1.5
-8	174	-1.5
-6	174	-1.5
-4	174	-1.5
-2	174	-1.5
0	174	-1.5
2	174	-1.5
4	174	-1.5
6	174	-1.6
8	174	-1.6
10	174	-1.6
12	174	-1.7
14	174	-1.8
16	174	-1.9
18	174	-2
20	174	-2.1
22	174	-2.3
24	174	-2.5
26	174	-2.8
28	174	-3.1
30	174	-3.4
32	174	-3.9
34	174	-4.4
36	174	-5
38	174	-5.7
40	174	-6.6
42	174	-7.6
44	174	-8.8
46	174	-10.1
48	174	-11.7
50	174	-13.4
52	174	-14.7
54	174	-14.9
56	174	-13.9
58	174	-12.2
60	174	-10.4
62	174	-8.9
64	174	-7.5
66	174	-6.4
68	174	-5.4
70	174	-4.6
72	174	-4
74	174	-3.5
76	174	-3.1
78	174	-2.8
80	174	-2.6
82	174	-2.6
84	174	-2.6
86	174	-2.7
88	174	-3
90	174	-3.3
92	174	-3.8
94	174	-4.4
96	174	-5.2
98	174	-6.1
100	174	-7.3
102	174	-8.8
104	174	-10.6
106	174	-13
108	174	-16.4
110	174	-21.5
112	174	-26.5
114	174	-20.8
116	174	-16.1
118	174	-13
120	174	-10.8
122	174	-9.1
124	174	-7.8
126	174	-6.7
128	174	-5.8
130	174	-5
132	174	-4.4
134	174	-3.9
136	174	-3.4
138	174	-3.1
140	174	-2.8
142	174	-2.5
144	174	-2.3
146	174	-2.1
148	174	-2
150	174	-1.9
152	174	-1.8
154	174	-1.7
156	174	-1.6
158	174	-1.6
160	174	-1.6
162	174	-1.5
164	174	-1.5
166	174	-1.5
168	174	-1.5
170	174	-1.4
172	174	-1.4
174	174	-1.4
176	174	-1.4
178	174	-1.4
180	174	-1.4
-180	176	-7.9
-178	176	-8
-176	176	-8.2
-174	176	-8.4
-172	176	-8.7
-170	176	-9.1
-168	176	-9.5
-166	176	-9.9
-164	176	-10.4
-162	176	-11.1
-160	176	-11.8
-158	176	-12.6
-156	176	-13.5
-154	176	-14.6
-152	176	-15.8
-150	176	-17
-148	176	-18

-146	176	-18.6
-144	176	-18.3
-142	176	-17.2
-140	176	-15.8
-138	176	-14.3
-136	176	-12.8
-134	176	-11.5
-132	176	-10.3
-130	176	-9.2
-128	176	-8.3
-126	176	-7.4
-124	176	-6.6
-122	176	-6
-120	176	-5.3
-118	176	-4.8
-116	176	-4.3
-114	176	-3.9
-112	176	-3.5
-110	176	-3.2
-108	176	-2.9
-106	176	-2.7
-104	176	-2.5
-102	176	-2.4
-100	176	-2.3
-98	176	-2.3
-96	176	-2.3
-94	176	-2.4
-92	176	-2.5
-90	176	-2.6
-88	176	-2.8
-86	176	-3.1
-84	176	-3.4
-82	176	-3.7
-80	176	-4.1
-78	176	-4.6
-76	176	-5.1
-74	176	-5.7
-72	176	-6.4
-70	176	-7.2
-68	176	-8.1
-66	176	-9
-64	176	-10.2
-62	176	-11.4
-60	176	-13
-58	176	-14.7
-56	176	-16.9
-54	176	-19.7
-52	176	-23.2
-50	176	-26.5
-48	176	-25.7
-46	176	-22.3
-44	176	-19.4
-42	176	-17.2
-40	176	-15.5
-38	176	-14.1
-36	176	-13
-34	176	-12.1
-32	176	-11.3
-30	176	-10.6
-28	176	-10
-26	176	-9.5
-24	176	-9.1
-22	176	-8.8
-20	176	-8.5
-18	176	-8.2
-16	176	-8.1
-14	176	-7.9
-12	176	-7.8
-10	176	-7.7
-8	176	-7.7
-6	176	-7.7
-4	176	-7.7
-2	176	-7.8
0	176	-7.9
2	176	-8
4	176	-8.2
6	176	-8.5
8	176	-8.7
10	176	-9.1
12	176	-9.5
14	176	-9.9
16	176	-10.5
18	176	-11.1
20	176	-11.8
22	176	-12.6
24	176	-13.5
26	176	-14.6
28	176	-15.7
30	176	-16.9
32	176	-18
34	176	-18.6
36	176	-18.3
38	176	-17.3
40	176	-15.9
42	176	-14.4
44	176	-12.9
46	176	-11.6
48	176	-10.4
50	176	-9.4
52	176	-8.4
54	176	-7.5
56	176	-6.8
58	176	-6.1
60	176	-5.5
62	176	-4.9
64	176	-4.4
66	176	-4
68	176	-3.6
70	176	-3.3
72	176	-3
74	176	-2.8
76	176	-2.6
78	176	-2.5
80	176	-2.4
82	176	-2.4
84	176	-2.4
86	176	-2.5
88	176	-2.6
90	176	-2.7

92	176	-2.9
94	176	-3.2
96	176	-3.4
98	176	-3.8
100	176	-4.2
102	176	-4.7
104	176	-5.2
106	176	-5.8
108	176	-6.5
110	176	-7.2
112	176	-8.1
114	176	-9.1
116	176	-10.2
118	176	-11.4
120	176	-12.9
122	176	-14.6
124	176	-16.7
126	176	-19.3
128	176	-22.3
130	176	-24.9
132	176	-24.5
134	176	-21.9
136	176	-19.3
138	176	-17.2
140	176	-15.5
142	176	-14.1
144	176	-13
146	176	-12.1
148	176	-11.3
150	176	-10.7
152	176	-10.1
154	176	-9.6
156	176	-9.2
158	176	-8.8
160	176	-8.5
162	176	-8.3
164	176	-8.1
166	176	-7.9
168	176	-7.8
170	176	-7.7
172	176	-7.7
174	176	-7.7
176	176	-7.7
178	176	-7.8
180	176	-7.9
-180	178	-7.7
-178	178	-7.6
-176	178	-7.5
-174	178	-7.4
-172	178	-7.3
-170	178	-7.2
-168	178	-7
-166	178	-6.9
-164	178	-6.7
-162	178	-6.5
-160	178	-6.3
-158	178	-6.1
-156	178	-6
-154	178	-5.8
-152	178	-5.6
-150	178	-5.4
-148	178	-5.2
-146	178	-5
-144	178	-4.8
-142	178	-4.6
-140	178	-4.4
-138	178	-4.2
-136	178	-4
-134	178	-3.8
-132	178	-3.6
-130	178	-3.5
-128	178	-3.3
-126	178	-3.2
-124	178	-3
-122	178	-2.9
-120	178	-2.8
-118	178	-2.7
-116	178	-2.6
-114	178	-2.5
-112	178	-2.4
-110	178	-2.3
-108	178	-2.2
-106	178	-2.2
-104	178	-2.1
-102	178	-2.1
-100	178	-2.1
-98	178	-2.1
-96	178	-2.1
-94	178	-2.1
-92	178	-2.1
-90	178	-2.2
-88	178	-2.2
-86	178	-2.3
-84	178	-2.3
-82	178	-2.4
-80	178	-2.5
-78	178	-2.6
-76	178	-2.7
-74	178	-2.8
-72	178	-3
-70	178	-3.1
-68	178	-3.3
-66	178	-3.4
-64	178	-3.6
-62	178	-3.8
-60	178	-3.9
-58	178	-4.1
-56	178	-4.3
-54	178	-4.5
-52	178	-4.7
-50	178	-4.9
-48	178	-5.1
-46	178	-5.3
-44	178	-5.5
-42	178	-5.7
-40	178	-5.9
-38	178	-6.1
-36	178	-6.3
-34	178	-6.5

-32	178	-6.7
-30	178	-6.9
-28	178	-7
-26	178	-7.2
-24	178	-7.3
-22	178	-7.5
-20	178	-7.6
-18	178	-7.7
-16	178	-7.8
-14	178	-7.8
-12	178	-7.9
-10	178	-7.9
-8	178	-7.9
-6	178	-7.9
-4	178	-7.9
-2	178	-7.9
0	178	-7.8
2	178	-7.7
4	178	-7.6
6	178	-7.5
8	178	-7.4
10	178	-7.3
12	178	-7.1
14	178	-7
16	178	-6.8
18	178	-6.6
20	178	-6.4
22	178	-6.2
24	178	-6
26	178	-5.8
28	178	-5.6
30	178	-5.4
32	178	-5.2
34	178	-5
36	178	-4.8
38	178	-4.6
40	178	-4.4
42	178	-4.3
44	178	-4.1
46	178	-3.9
48	178	-3.7
50	178	-3.5
52	178	-3.4
54	178	-3.2
56	178	-3.1
58	178	-3
60	178	-2.8
62	178	-2.7
64	178	-2.6
66	178	-2.5
68	178	-2.4
70	178	-2.4
72	178	-2.3
74	178	-2.2
76	178	-2.2
78	178	-2.2
80	178	-2.1
82	178	-2.1
84	178	-2.1
86	178	-2.1
88	178	-2.2
90	178	-2.2
92	178	-2.2
94	178	-2.3
96	178	-2.4
98	178	-2.5
100	178	-2.5
102	178	-2.6
104	178	-2.7
106	178	-2.9
108	178	-3
110	178	-3.1
112	178	-3.3
114	178	-3.4
116	178	-3.6
118	178	-3.8
120	178	-3.9
122	178	-4.1
124	178	-4.3
126	178	-4.5
128	178	-4.7
130	178	-4.9
132	178	-5.1
134	178	-5.3
136	178	-5.5
138	178	-5.7
140	178	-5.9
142	178	-6.1
144	178	-6.3
146	178	-6.4
148	178	-6.6
150	178	-6.8
152	178	-7
154	178	-7.1
156	178	-7.2
158	178	-7.4
160	178	-7.5
162	178	-7.6
164	178	-7.7
166	178	-7.7
168	178	-7.8
170	178	-7.8
172	178	-7.8
174	178	-7.8
176	178	-7.8
178	178	-7.7
180	178	-7.7
-180	180	-2
-178	180	-2
-176	180	-2
-174	180	-2
-172	180	-2
-170	180	-2
-168	180	-2
-166	180	-2
-164	180	-2
-162	180	-2
-160	180	-2
-158	180	-2

-156	180	-2
-154	180	-2
-152	180	-2
-150	180	-2
-148	180	-2
-146	180	-2
-144	180	-2
-142	180	-2
-140	180	-2
-138	180	-2
-136	180	-2
-134	180	-2
-132	180	-2
-130	180	-2
-128	180	-2
-126	180	-2
-124	180	-2
-122	180	-2
-120	180	-2
-118	180	-2
-116	180	-2
-114	180	-2
-112	180	-2
-110	180	-2
-108	180	-2
-106	180	-2
-104	180	-2
-102	180	-2
-100	180	-2
-98	180	-2
-96	180	-2
-94	180	-2
-92	180	-2
-90	180	-2
-88	180	-2
-86	180	-2
-84	180	-2
-82	180	-2
-80	180	-2
-78	180	-2
-76	180	-2
-74	180	-2
-72	180	-2
-70	180	-2
-68	180	-2
-66	180	-2
-64	180	-2
-62	180	-2
-60	180	-2
-58	180	-2
-56	180	-2
-54	180	-2
-52	180	-2
-50	180	-2
-48	180	-2
-46	180	-2
-44	180	-2
-42	180	-2
-40	180	-2
-38	180	-2
-36	180	-2
-34	180	-2
-32	180	-2
-30	180	-2
-28	180	-2
-26	180	-2
-24	180	-2
-22	180	-2
-20	180	-2
-18	180	-2
-16	180	-2
-14	180	-2
-12	180	-2
-10	180	-2
-8	180	-2
-6	180	-2
-4	180	-2
-2	180	-2
0	180	-2
2	180	-2
4	180	-2
6	180	-2
8	180	-2
10	180	-2
12	180	-2
14	180	-2
16	180	-2
18	180	-2
20	180	-2
22	180	-2
24	180	-2
26	180	-2
28	180	-2
30	180	-2
32	180	-2
34	180	-2
36	180	-2
38	180	-2
40	180	-2
42	180	-2
44	180	-2
46	180	-2
48	180	-2
50	180	-2
52	180	-2
54	180	-2
56	180	-2
58	180	-2
60	180	-2
62	180	-2
64	180	-2
66	180	-2
68	180	-2
70	180	-2
72	180	-2
74	180	-2
76	180	-2
78	180	-2
80	180	-2

82	180	-2
84	180	-2
86	180	-2
88	180	-2
90	180	-2
92	180	-2
94	180	-2
96	180	-2
98	180	-2
100	180	-2
102	180	-2
104	180	-2
106	180	-2
108	180	-2
110	180	-2
112	180	-2
114	180	-2
116	180	-2
118	180	-2
120	180	-2
122	180	-2
124	180	-2
126	180	-2
128	180	-2
130	180	-2
132	180	-2
134	180	-2
136	180	-2
138	180	-2
140	180	-2
142	180	-2
144	180	-2
146	180	-2
148	180	-2
150	180	-2
152	180	-2
154	180	-2
156	180	-2
158	180	-2
160	180	-2
162	180	-2
164	180	-2
166	180	-2
168	180	-2
170	180	-2
172	180	-2
174	180	-2
176	180	-2
178	180	-2
180	180	-2

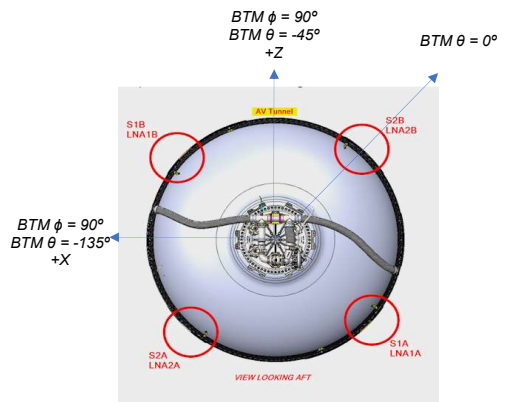
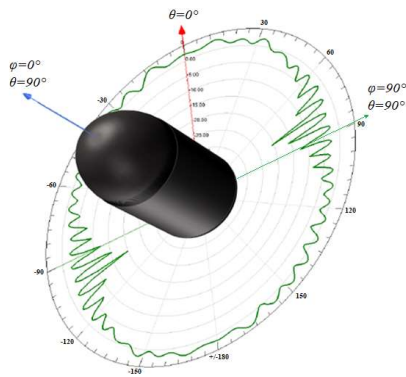
Phi[deg]	Theta[deg]	dB(GainTotal)
-180	0	0.9
-178	0	0.9
-176	0	0.9
-174	Pages 261-1	0.9
-172	Pages 426-1	0.9
-170	0	0.9
-168	0	0.9
-166	0	0.9
-164	0	0.9
-162	0	0.9
-160	0	0.9
-158	0	0.9
-156	0	0.9
-154	0	0.9
-152	0	0.9
-150	0	0.9
-148	0	0.9
-146	0	0.9
-144	0	0.9
-142	0	0.9
-140	0	0.9
-138	0	0.9
-136	0	0.9
-134	0	0.9
-132	0	0.9
-130	0	0.9
-128	0	0.9
-126	0	0.9
-124	0	0.9
-122	0	0.9
-120	0	0.9
-118	0	0.9
-116	0	0.9
-114	0	0.9
-112	0	0.9
-110	0	0.9
-108	0	0.9
-106	0	0.9
-104	0	0.9
-102	0	0.9
-100	0	0.9
-98	0	0.9
-96	0	0.9
-94	0	0.9
-92	0	0.9
-90	0	0.9
-88	0	0.9
-86	0	0.9
-84	0	0.9
-82	0	0.9
-80	0	0.9
-78	0	0.9
-76	0	0.9
-74	0	0.9
-72	0	0.9
-70	0	0.9
-68	0	0.9
-66	0	0.9
-64	0	0.9
-62	0	0.9
-60	0	0.9
-58	0	0.9
-56	0	0.9
-54	0	0.9
-52	0	0.9
-50	0	0.9
-48	0	0.9
-46	0	0.9
-44	0	0.9
-42	0	0.9
-40	0	0.9
-38	0	0.9
-36	0	0.9
-34	0	0.9
-32	0	0.9
-30	0	0.9
-28	0	0.9
-26	0	0.9
-24	0	0.9
-22	0	0.9
-20	0	0.9
-18	0	0.9
-16	0	0.9
-14	0	0.9
-12	0	0.9
-10	0	0.9
-8	0	0.9
-6	0	0.9
-4	0	0.9
0	0	0.9
2	0	0.9
4	0	0.9
6	0	0.9
8	0	0.9
10	0	0.9
12	0	0.9
14	0	0.9
16	0	0.9
18	0	0.9
20	0	0.9
22	0	0.9
24	0	0.9
26	0	0.9
28	0	0.9
30	0	0.9
32	0	0.9
34	0	0.9
36	0	0.9
38	0	0.9
40	0	0.9
42	0	0.9
44	0	0.9
46	0	0.9
48	0	0.9
50	0	0.9
52	0	0.9
54	0	0.9
56	0	0.9
58	0	0.9
60	0	0.9
62	0	0.9
64	0	0.9
66	0	0.9
68	0	0.9
70	0	0.9
72	0	0.9
74	0	0.9
76	0	0.9
78	0	0.9
80	0	0.9
82	0	0.9
84	0	0.9
86	0	0.9
88	0	0.9
90	0	0.9
92	0	0.9

BTM ANTENNA NOTES:

PHI AND THETA ARE ANGLES WITHIN THE ATM OR BTM ANTENNA REFERENCE FRAME. THE BTM PATTERN IS IDENTICAL TO THE ATM PATTERN, EXCEPT ROTATED BY 90 DEGREES WITH RESPECT TO THE VEHICLE.
 ANTENNA PATTERN DIAGRAM SHOWN BELOW IS AN INDICATIVE EXAMPLE ONLY AND DOES NOT NECESSARILY CORRESPOND TO DATA. VALID VALUES IN NUMERICAL DATA ON THE LEFT.
 X, Y AND Z ARE DIRECTIONS IN CARTESIAN FRAMES
 ANTENNA CARTESIAN FRAME DEFINED W.R.T. VEHICLE BODY FRAME BY DCM.
 VEHICLE BODY FRAME Y AXIS IS ORIENTATED ALONG VEHICLE MAIN AXIS (CYLINDER AXIS).
 VEHICLE BODY FRAME X AND Z AXES COLINEAR TO VEHICLE CYLINDER BASE PLANE, WITH Z AT VEHICLE DATUM.
 +Y VEHICLE DIRECTION CORRESPONDS TO BTM ANTENNA ANGLES PHI = 0°, THETA = 90°, AND FACES FORWARDS OUT OF THE NOSE CONE.
 +Z VEHICLE DIRECTION CORRESPONDS TO BTM ANTENNA ANGLES PHI = 90°, THETA = -45°
 +X VEHICLE DIRECTION CORRESPONDS TO BTM ANTENNA ANGLES PHI = 90°, THETA = -135°
 RED CIRCLES REPRESENT ANTENNA PAIR MOUNTINGS. S1A AND S1B ARE A PHASED PAIR THAT EMIT THE ATM CARRIER. S2A AND S2B ARE A PHASED PAIR THAT EMIT THE BTM CARRIER
 ALL ANTENNAS ON STAGE 2 ARE 45° LINEAR POLARISATION. THEREFORE, WHEN ASSESSING THE LHCP/RHCP-RECEIVED GROUND STATION SIGNAL, AN ASSUMED 3dB LOSS SHOULD BE APPLIED
 Angle BODY to ANT 45 deg
 0.7854 rad

THE COORDINATES OF THE ANTENNA FRAME VECTORS IN THE BODY FRAME ARE THE FOLLOWING

	X_BODY	Y_BODY	Z_BODY
X_ANT	0.70711	0	0.70711
Y_ANT	0.70711	0	-0.70711
Z_ANT	0	1	0



94	0	0.9
96	0	0.9
98	0	0.9
100	0	0.9
102	0	0.9
104	0	0.9
106	0	0.9
108	0	0.9
110	0	0.9
112	0	0.9
114	0	0.9
116	0	0.9
118	0	0.9
120	0	0.9
122	0	0.9
124	0	0.9
126	0	0.9
128	0	0.9
130	0	0.9
132	0	0.9
134	0	0.9
136	0	0.9
138	0	0.9
140	0	0.9
142	0	0.9
144	0	0.9
146	0	0.9
148	0	0.9
150	0	0.9
152	0	0.9
154	0	0.9
156	0	0.9
158	0	0.9
160	0	0.9
162	0	0.9
164	0	0.9
166	0	0.9
168	0	0.9
170	0	0.9
172	0	0.9
174	0	0.9
176	0	0.9
178	0	0.9
180	0	0.9
-180	2	-3.4
-178	2	-3.4
-176	2	-3.4
-174	2	-3.4
-172	2	-3.3
-170	2	-3.3
-168	2	-3.2
-166	2	-3.1
-164	2	-3
-162	2	-2.9
-160	2	-2.8
-158	2	-2.7
-156	2	-2.6
-154	2	-2.5
-152	2	-2.3
-150	2	-2.2
-148	2	-2
-146	2	-1.9
-144	2	-1.7
-142	2	-1.6
-140	2	-1.4
-138	2	-1.3
-136	2	-1.1
-134	2	-1
-132	2	-0.8
-130	2	-0.7
-128	2	-0.5
-126	2	-0.4
-124	2	-0.3
-122	2	-0.1
-120	2	3.60E-14
-118	2	0.1
-116	2	0.2
-114	2	0.3
-112	2	0.4
-110	2	0.5
-108	2	0.6
-106	2	0.6
-104	2	0.7
-102	2	0.8
-100	2	0.8
-98	2	0.8
-96	2	0.9
-94	2	0.9
-92	2	0.9
-90	2	0.9
-88	2	0.9
-86	2	0.9
-84	2	0.8
-82	2	0.8
-80	2	0.8
-78	2	0.7
-76	2	0.6
-74	2	0.6
-72	2	0.5
-70	2	0.4
-68	2	0.3
-66	2	0.2
-64	2	0.1
-62	2	3.64E-14
-60	2	-0.1
-58	2	-0.3
-56	2	-0.4
-54	2	-0.5
-52	2	-0.7
-50	2	-0.8
-48	2	-1
-46	2	-1.1
-44	2	-1.3
-42	2	-1.4
-40	2	-1.6
-38	2	-1.8
-36	2	-1.9
-34	2	-2.1
-32	2	-2.2
-30	2	-2.4
-28	2	-2.5
-26	2	-2.7
-24	2	-2.8
-22	2	-2.9
-20	2	-3
-18	2	-3.1
-16	2	-3.2
-14	2	-3.3
-12	2	-3.4
-10	2	-3.5
-8	2	-3.5
-6	2	-3.6
-4	2	-3.6
-2	2	-3.6
0	2	-3.6
2	2	-3.6
4	2	-3.6
6	2	-3.5

8	2	-3.5
10	2	-3.4
12	2	-3.4
14	2	-3.3
16	2	-3.2
18	2	-3.1
20	2	-3
22	2	-2.8
24	2	-2.7
26	2	-2.6
28	2	-2.4
30	2	-2.3
32	2	-2.1
34	2	-2
36	2	-1.8
38	2	-1.6
40	2	-1.5
42	2	-1.3
44	2	-1.2
46	2	-1
48	2	-0.9
50	2	-0.7
52	2	-0.6
54	2	-0.4
56	2	-0.3
58	2	-0.2
60	2	3.64E-14
62	2	0.1
64	2	0.2
66	2	0.3
68	2	0.4
70	2	0.5
72	2	0.6
74	2	0.7
76	2	0.7
78	2	0.8
80	2	0.8
82	2	0.9
84	2	0.9
86	2	0.9
88	2	1
90	2	1
92	2	1
94	2	0.9
96	2	0.9
98	2	0.9
100	2	0.8
102	2	0.8
104	2	0.7
106	2	0.7
108	2	0.6
110	2	0.5
112	2	0.4
114	2	0.3
116	2	0.2
118	2	0.1
120	2	3.06E-14
122	2	-0.1
124	2	-0.3
126	2	-0.4
128	2	-0.5
130	2	-0.7
132	2	-0.8
134	2	-1
136	2	-1.1
138	2	-1.3
140	2	-1.4
142	2	-1.6
144	2	-1.7
146	2	-1.9
148	2	-2
150	2	-2.2
152	2	-2.3
154	2	-2.5
156	2	-2.6
158	2	-2.7
160	2	-2.8
162	2	-2.9
164	2	-3
166	2	-3.1
168	2	-3.2
170	2	-3.3
172	2	-3.3
174	2	-3.4
176	2	-3.4
178	2	-3.4
180	2	-3.4
-180	4	-9.6
-178	4	-9.6
-176	4	-9.7
-174	4	-9.9
-172	4	-10.1
-170	4	-10.4
-168	4	-10.7
-166	4	-11.2
-164	4	-11.7
-162	4	-12.4
-160	4	-13.1
-158	4	-14
-156	4	-15.1
-154	4	-16.2
-152	4	-17.4
-150	4	-18.4
-148	4	-18.7
-146	4	-18.2
-144	4	-16.9
-142	4	-15.3
-140	4	-13.7
-138	4	-12.1
-136	4	-10.7
-134	4	-9.4
-132	4	-8.3
-130	4	-7.3
-128	4	-6.3
-126	4	-5.4
-124	4	-4.7
-122	4	-3.9
-120	4	-3.3
-118	4	-2.7
-116	4	-2.2
-114	4	-1.7
-112	4	-1.2
-110	4	-0.8
-108	4	-0.5
-106	4	-0.2
-104	4	0.1
-102	4	0.4
-100	4	0.5
-98	4	0.7
-96	4	0.8
-94	4	0.9
-92	4	1
-90	4	1
-88	4	0.9
-86	4	0.9
-84	4	0.8
-82	4	0.6
-80	4	0.5

-78	4	0.2
-76	4	-1.87E-14
-74	4	-0.3
-72	4	-0.6
-70	4	-1
-68	4	-1.4
-66	4	-1.9
-64	4	-2.4
-62	4	-3
-60	4	-3.6
-58	4	-4.3
-56	4	-5.1
-54	4	-5.9
-52	4	-6.8
-50	4	-7.9
-48	4	-9
-46	4	-10.3
-44	4	-11.7
-42	4	-13.3
-40	4	-15.1
-38	4	-17.1
-36	4	-18.9
-34	4	-20.1
-32	4	-20
-30	4	-18.8
-28	4	-17.3
-26	4	-15.9
-24	4	-14.6
-22	4	-13.6
-20	4	-12.7
-18	4	-11.9
-16	4	-11.3
-14	4	-10.8
-12	4	-10.4
-10	4	-10
-8	4	-9.7
-6	4	-9.5
-4	4	-9.4
-2	4	-9.3
0	4	-9.3
2	4	-9.3
4	4	-9.4
6	4	-9.6
8	4	-9.8
10	4	-10.1
12	4	-10.5
14	4	-10.9
16	4	-11.5
18	4	-12.1
20	4	-12.9
22	4	-13.7
24	4	-14.7
26	4	-15.8
28	4	-17
30	4	-17.9
32	4	-18.3
34	4	-17.8
36	4	-16.6
38	4	-15.1
40	4	-13.5
42	4	-12
44	4	-10.6
46	4	-9.3
48	4	-8.2
50	4	-7.2
52	4	-6.2
54	4	-5.4
56	4	-4.6
58	4	-3.9
60	4	-3.2
62	4	-2.6
64	4	-2.1
66	4	-1.6
68	4	-1.1
70	4	-0.7
72	4	-0.4
74	4	-0.1
76	4	0.2
78	4	0.4
80	4	0.6
82	4	0.8
84	4	0.9
86	4	1
88	4	1.1
90	4	1.1
92	4	1
94	4	1
96	4	0.9
98	4	0.8
100	4	0.6
102	4	0.4
104	4	0.1
106	4	-0.1
108	4	-0.5
110	4	-0.8
112	4	-1.3
114	4	-1.7
116	4	-2.2
118	4	-2.8
120	4	-3.4
122	4	-4
124	4	-4.8
126	4	-5.6
128	4	-6.5
130	4	-7.5
132	4	-8.5
134	4	-9.7
136	4	-11.1
138	4	-12.6
140	4	-14.2
142	4	-16
144	4	-17.7
146	4	-19.1
148	4	-19.5
150	4	-18.8
152	4	-17.6
154	4	-16.3
156	4	-15.1
158	4	-14
160	4	-13.1
162	4	-12.3
164	4	-11.7
166	4	-11.1
168	4	-10.7
170	4	-10.3
172	4	-10
174	4	-9.8
176	4	-9.7
178	4	-9.6
180	4	-9.6
-180	6	0.6
-178	6	0.6
-176	6	0.6
-174	6	0.6
-172	6	0.5
-170	6	0.4
-168	6	0.4
-166	6	0.3

-164	6	0.1
-162	6	1.35E-13
-160	6	-0.2
-158	6	-0.4
-156	6	-0.6
-154	6	-0.8
-152	6	-1.1
-150	6	-1.5
-148	6	-1.9
-146	6	-2.4
-144	6	-2.9
-142	6	-3.6
-140	6	-4.4
-138	6	-5.3
-136	6	-6.4
-134	6	-7.7
-132	6	-9.3
-130	6	-11.3
-128	6	-13.8
-126	6	-16.2
-124	6	-16.8
-122	6	-14.6
-120	6	-11.8
-118	6	-9.4
-116	6	-7.5
-114	6	-5.9
-112	6	-4.5
-110	6	-3.4
-108	6	-2.4
-106	6	-1.6
-104	6	-0.9
-102	6	-0.4
-100	6	0.1
-98	6	0.5
-96	6	0.7
-94	6	0.9
-92	6	1
-90	6	1.1
-88	6	1
-86	6	0.9
-84	6	0.7
-82	6	0.3
-80	6	-0.1
-78	6	-0.6
-76	6	-1.2
-74	6	-1.9
-72	6	-2.8
-70	6	-3.8
-68	6	-5
-66	6	-6.5
-64	6	-8.3
-62	6	-10.6
-60	6	-13.6
-58	6	-17.4
-56	6	-20.1
-54	6	-17.5
-52	6	-13.9
-50	6	-11.1
-48	6	-9
-46	6	-7.4
-44	6	-6.1
-42	6	-5
-40	6	-4.1
-38	6	-3.4
-36	6	-2.7
-34	6	-2.2
-32	6	-1.7
-30	6	-1.3
-28	6	-1
-26	6	-0.7
-24	6	-0.4
-22	6	-0.2
-20	6	-0.1
-18	6	0.1
-16	6	0.2
-14	6	0.3
-12	6	0.4
-10	6	0.5
-8	6	0.5
-6	6	0.6
-4	6	0.6
-2	6	0.6
0	6	0.6
2	6	0.6
4	6	0.5
6	6	0.5
8	6	0.4
10	6	0.4
12	6	0.3
14	6	0.2
16	6	0.1
18	6	-0.1
20	6	-0.3
22	6	-0.5
24	6	-0.7
26	6	-1
28	6	-1.3
30	6	-1.6
32	6	-2.1
34	6	-2.5
36	6	-3.1
38	6	-3.8
40	6	-4.6
42	6	-5.5
44	6	-6.6
46	6	-8
48	6	-9.6
50	6	-11.6
52	6	-14
54	6	-16.1
56	6	-16.1
58	6	-13.9
60	6	-11.3
62	6	-9
64	6	-7.2
66	6	-5.6
68	6	-4.3
70	6	-3.2
72	6	-2.3
74	6	-1.5
76	6	-0.8
78	6	-0.3
80	6	0.2
82	6	0.6
84	6	0.8
86	6	1
88	6	1.1
90	6	1.2
92	6	1.1
94	6	1
96	6	0.7
98	6	0.4
100	6	-1.15E-14
102	6	-0.5
104	6	-1.1
106	6	-1.8
108	6	-2.6
110	6	-3.6

112	6	-4.8
114	6	-6.3
116	6	-8
118	6	-10.2
120	6	-13
122	6	-16.5
124	6	-19
126	6	-17.2
128	6	-13.9
130	6	-11.2
132	6	-9.2
134	6	-7.5
136	6	-6.2
138	6	-5.1
140	6	-4.2
142	6	-3.4
144	6	-2.8
146	6	-2.2
148	6	-1.8
150	6	-1.4
152	6	-1
154	6	-0.7
156	6	-0.5
158	6	-0.2
160	6	-0.1
162	6	0.1
164	6	0.2
166	6	0.3
168	6	0.4
170	6	0.5
172	6	0.6
174	6	0.6
176	6	0.6
178	6	0.6
180	6	0.6
-180	8	0.5
-178	8	0.5
-176	8	0.5
-174	8	0.5
-172	8	0.6
-170	8	0.6
-168	8	0.7
-166	8	0.7
-164	8	0.8
-162	8	0.9
-160	8	1
-158	8	1.1
-156	8	1.1
-154	8	1.2
-152	8	1.2
-150	8	1.2
-148	8	1.2
-146	8	1.2
-144	8	1.1
-142	8	0.9
-140	8	0.7
-138	8	0.4
-136	8	0.1
-134	8	-0.4
-132	8	-1
-130	8	-1.7
-128	8	-2.6
-126	8	-3.7
-124	8	-5.2
-122	8	-7
-120	8	-9.4
-118	8	-12.4
-116	8	-15.2
-114	8	-14.2
-112	8	-10.9
-110	8	-7.9
-108	8	-5.7
-106	8	-3.9
-104	8	-2.5
-102	8	-1.4
-100	8	-0.5
-98	8	0.2
-96	8	0.6
-94	8	1
-92	8	1.2
-90	8	1.2
-88	8	1.1
-86	8	0.9
-84	8	0.5
-82	8	-0.1
-80	8	-0.9
-78	8	-1.6
-76	8	-3.1
-74	8	-4.7
-72	8	-6.7
-70	8	-9.5
-68	8	-13.4
-66	8	-18.4
-64	8	-17.2
-62	8	-12.4
-60	8	-9
-58	8	-6.6
-56	8	-4.8
-54	8	-3.4
-52	8	-2.3
-50	8	-1.4
-48	8	-0.7
-46	8	-0.2
-44	8	0.3
-42	8	0.7
-40	8	0.9
-38	8	1.1
-36	8	1.3
-34	8	1.4
-32	8	1.4
-30	8	1.4
-28	8	1.4
-26	8	1.4
-24	8	1.3
-22	8	1.3
-20	8	1.2
-18	8	1.1
-16	8	1
-14	8	0.9
-12	8	0.8
-10	8	0.7
-8	8	0.6
-6	8	0.6
-4	8	0.5
-2	8	0.5
0	8	0.4
2	8	0.4
4	8	0.4
6	8	0.5
8	8	0.5
10	8	0.5
12	8	0.6
14	8	0.6
16	8	0.7
18	8	0.8
20	8	0.9
22	8	0.9
24	8	1

26	8	1
28	8	1.1
30	8	1.1
32	8	1
34	8	1
36	8	0.9
38	8	0.7
40	8	0.5
42	8	0.2
44	8	-0.2
46	8	-0.6
48	8	-1.2
50	8	-2
52	8	-2.9
54	8	-4
56	8	-5.5
58	8	-7.3
60	8	-9.7
62	8	-12.7
64	8	-15.1
66	8	-13.7
68	8	-10.5
70	8	-7.7
72	8	-5.5
74	8	-3.8
76	8	-2.4
78	8	-1.3
80	8	-0.5
82	8	0.2
84	8	0.7
86	8	1
88	8	1.2
90	8	1.2
92	8	1.1
94	8	0.9
96	8	0.5
98	8	-0.1
100	8	-0.9
102	8	-1.8
104	8	-3.1
106	8	-4.7
108	8	-6.7
110	8	-9.4
112	8	-13.2
114	8	-17.7
116	8	-16.7
118	8	-12.2
120	8	-8.9
122	8	-6.6
124	8	-4.8
126	8	-3.4
128	8	-2.3
130	8	-1.4
132	8	-0.7
134	8	-0.1
136	8	0.3
138	8	0.7
140	8	1
142	8	1.2
144	8	1.3
146	8	1.4
148	8	1.5
150	8	1.5
152	8	1.5
154	8	1.4
156	8	1.4
158	8	1.3
160	8	1.2
162	8	1.1
164	8	1
166	8	1
168	8	0.9
170	8	0.8
172	8	0.7
174	8	0.6
176	8	0.6
178	8	0.5
180	8	0.5
-180	10	-5.8
-178	10	-5.8
-176	10	-5.8
-174	10	-5.7
-172	10	-5.6
-170	10	-5.4
-168	10	-5.2
-166	10	-5
-164	10	-4.7
-162	10	-4.3
-160	10	-3.9
-158	10	-3.5
-156	10	-3
-154	10	-2.5
-152	10	-2
-150	10	-1.5
-148	10	-1
-146	10	-0.5
-144	10	-0.1
-142	10	0.3
-140	10	0.6
-138	10	0.9
-136	10	1.1
-134	10	1.1
-132	10	1.1
-130	10	1
-128	10	0.7
-126	10	0.3
-124	10	-0.4
-122	10	-1.2
-120	10	-2.4
-118	10	-3.9
-116	10	-6
-114	10	-8.9
-112	10	-12.5
-110	10	-14.2
-108	10	-10.9
-106	10	-7.3
-104	10	-4.7
-102	10	-2.8
-100	10	-1.3
-98	10	-0.2
-96	10	0.6
-94	10	1.1
-92	10	1.3
-90	10	1.4
-88	10	1.2
-86	10	0.8
-84	10	0.1
-82	10	-0.8
-80	10	-2.1
-78	10	-3.9
-76	10	-6.3
-74	10	-9.8
-72	10	-15.1
-70	10	-17.3
-68	10	-11.8
-66	10	-7.8
-64	10	-5.1
-62	10	-3.1

-60	10	-1.7
-58	10	-0.7
-56	10	0.1
-54	10	0.7
-52	10	1.1
-50	10	1.4
-48	10	1.5
-46	10	1.6
-44	10	1.5
-42	10	1.4
-40	10	1.1
-38	10	0.8
-36	10	0.5
-34	10	0.1
-32	10	-0.3
-30	10	-0.8
-28	10	-1.3
-26	10	-1.8
-24	10	-2.3
-22	10	-2.8
-20	10	-3.2
-18	10	-3.7
-16	10	-4
-14	10	-4.4
-12	10	-4.7
-10	10	-4.9
-8	10	-5.1
-6	10	-5.2
-4	10	-5.3
-2	10	-5.4
0	10	-5.4
2	10	-5.4
4	10	-5.3
6	10	-5.2
8	10	-5.1
10	10	-5
12	10	-4.8
14	10	-4.6
16	10	-4.4
18	10	-4.1
20	10	-3.7
22	10	-3.3
24	10	-2.9
26	10	-2.5
28	10	-2
30	10	-1.5
32	10	-1.1
34	10	-0.6
36	10	-0.2
38	10	0.2
40	10	0.5
42	10	0.7
44	10	0.9
46	10	1
48	10	0.9
50	10	0.8
52	10	0.5
54	10	0.1
56	10	-0.5
58	10	-1.4
60	10	-2.6
62	10	-4.1
64	10	-6.2
66	10	-9
68	10	-12.6
70	10	-14
72	10	-10.8
74	10	-7.3
76	10	-4.7
78	10	-2.8
80	10	-1.3
82	10	-0.3
84	10	0.5
86	10	1
88	10	1.3
90	10	1.3
92	10	1.1
94	10	0.7
96	10	0.1
98	10	-0.9
100	10	-2.2
102	10	-4
104	10	-6.4
106	10	-9.9
108	10	-14.9
110	10	-16.6
112	10	-11.5
114	10	-7.6
116	10	-5
118	10	-3.1
120	10	-1.7
122	10	-0.6
124	10	0.1
126	10	0.7
128	10	1.1
130	10	1.4
132	10	1.5
134	10	1.6
136	10	1.5
138	10	1.4
140	10	1.2
142	10	0.9
144	10	0.5
146	10	0.1
148	10	-0.3
150	10	-0.8
152	10	-1.3
154	10	-1.8
156	10	-2.3
158	10	-2.8
160	10	-3.3
162	10	-3.7
164	10	-4.2
166	10	-4.6
168	10	-4.9
170	10	-5.2
172	10	-5.4
174	10	-5.6
176	10	-5.7
178	10	-5.8
180	10	-5.8
-180	12	-2
-178	12	-2
-176	12	-2
-174	12	-2
-172	12	-2.1
-170	12	-2.2
-168	12	-2.3
-166	12	-2.5
-164	12	-2.8
-162	12	-3.1
-160	12	-3.5
-158	12	-4
-156	12	-4.5
-154	12	-5
-152	12	-5.6
-150	12	-6
-148	12	-6.2

-146	12	-6
-144	12	-5.4
-142	12	-4.6
-140	12	-3.6
-138	12	-2.6
-136	12	-1.6
-134	12	-0.8
-132	12	-2.80E-14
-130	12	0.5
-128	12	0.9
-126	12	1.1
-124	12	1.1
-122	12	0.9
-120	12	0.4
-118	12	-0.4
-116	12	-1.6
-114	12	-3.2
-112	12	-5.6
-110	12	-9.1
-108	12	-13.3
-106	12	-12.3
-104	12	-7.9
-102	12	-4.6
-100	12	-2.3
-98	12	-0.7
-96	12	0.4
-94	12	1.2
-92	12	1.5
-90	12	1.6
-88	12	1.3
-86	12	0.7
-84	12	-0.3
-82	12	-1.8
-80	12	-3.9
-78	12	-7
-76	12	-11.9
-74	12	-16.6
-72	12	-11.3
-70	12	-6.8
-68	12	-3.9
-66	12	-1.9
-64	12	-0.5
-62	12	0.5
-60	12	1.2
-58	12	1.6
-56	12	1.7
-54	12	1.7
-52	12	1.6
-50	12	1.2
-48	12	0.7
-46	12	0.1
-44	12	-0.7
-42	12	-1.5
-40	12	-2.5
-38	12	-3.5
-36	12	-4.5
-34	12	-5.4
-32	12	-6.1
-30	12	-6.4
-28	12	-6.4
-26	12	-6.2
-24	12	-5.7
-22	12	-5.2
-20	12	-4.7
-18	12	-4.2
-16	12	-3.8
-14	12	-3.4
-12	12	-3
-10	12	-2.8
-8	12	-2.5
-6	12	-2.3
-4	12	-2.2
-2	12	-2.1
0	12	-2
2	12	-2
4	12	-2
6	12	-2
8	12	-2.1
10	12	-2.2
12	12	-2.4
14	12	-2.5
16	12	-2.8
18	12	-3.1
20	12	-3.4
22	12	-3.8
24	12	-4.3
26	12	-4.7
28	12	-5.2
30	12	-5.6
32	12	-5.8
34	12	-5.7
36	12	-5.2
38	12	-4.5
40	12	-3.6
42	12	-2.6
44	12	-1.7
46	12	-0.9
48	12	-0.2
50	12	0.4
52	12	0.8
54	12	1
56	12	1
58	12	0.8
60	12	0.3
62	12	-0.5
64	12	-1.6
66	12	-3.3
68	12	-5.7
70	12	-9.1
72	12	-13.1
74	12	-12.1
76	12	-7.8
78	12	-4.6
80	12	-2.3
82	12	-0.7
84	12	0.4
86	12	1.1
88	12	1.5
90	12	1.5
92	12	1.2
94	12	0.6
96	12	-0.4
98	12	-1.9
100	12	-4
102	12	-7.1
104	12	-11.8
106	12	-15.9
108	12	-11
110	12	-6.7
112	12	-3.8
114	12	-1.9
116	12	-0.5
118	12	0.5
120	12	1.1
122	12	1.5
124	12	1.7
126	12	1.7
128	12	1.5

130	12	1.2
132	12	0.7
134	12	-3.55E-14
136	12	-0.7
138	12	-1.6
140	12	-2.5
142	12	-3.5
144	12	-4.5
146	12	-5.4
148	12	-6.1
150	12	-6.5
152	12	-6.6
154	12	-6.3
156	12	-5.9
158	12	-5.4
160	12	-4.9
162	12	-4.4
164	12	-3.9
166	12	-3.5
168	12	-3.2
170	12	-2.9
172	12	-2.6
174	12	-2.4
176	12	-2.2
178	12	-2.1
180	12	-2
-180	14	0.5
-178	14	0.5
-176	14	0.5
-174	14	0.5
-172	14	0.5
-170	14	0.5
-168	14	0.6
-166	14	0.6
-164	14	0.6
-162	14	0.6
-160	14	0.6
-158	14	0.5
-156	14	0.4
-154	14	0.2
-152	14	-0.1
-150	14	-0.5
-148	14	-1.1
-146	14	-1.8
-144	14	-2.7
-142	14	-3.7
-140	14	-4.9
-138	14	-5.9
-136	14	-6.2
-134	14	-5.6
-132	14	-4.3
-130	14	-2.8
-128	14	-1.5
-126	14	-0.4
-124	14	0.4
-122	14	0.9
-120	14	1.1
-118	14	1
-116	14	0.5
-114	14	-0.5
-112	14	-1.9
-110	14	-4.2
-108	14	-7.7
-106	14	-12.8
-104	14	-12.4
-102	14	-7.2
-100	14	-3.6
-98	14	-1.3
-96	14	0.2
-94	14	1.2
-92	14	1.7
-90	14	1.7
-88	14	1.3
-86	14	0.4
-84	14	-1
-82	14	-3.2
-80	14	-6.5
-78	14	-12
-76	14	-14.5
-74	14	-8.5
-72	14	-4.5
-70	14	-1.9
-68	14	-0.3
-66	14	0.9
-64	14	1.5
-62	14	1.9
-60	14	1.9
-58	14	1.6
-56	14	1.1
-54	14	0.4
-52	14	-0.6
-50	14	-1.8
-48	14	-3.3
-46	14	-4.7
-44	14	-6
-42	14	-6.6
-40	14	-6.3
-38	14	-5.5
-36	14	-4.5
-34	14	-3.4
-32	14	-2.6
-30	14	-1.9
-28	14	-1.3
-26	14	-0.8
-24	14	-0.4
-22	14	-0.2
-20	14	0.1
-18	14	0.2
-16	14	0.3
-14	14	0.4
-12	14	0.4
-10	14	0.4
-8	14	0.4
-6	14	0.4
-4	14	0.4
-2	14	0.4
0	14	0.4
2	14	0.4
4	14	0.3
6	14	0.3
8	14	0.3
10	14	0.3
12	14	0.3
14	14	0.4
16	14	0.4
18	14	0.4
20	14	0.3
22	14	0.3
24	14	0.2
26	14	0
28	14	-0.3
30	14	-0.7
32	14	-1.2
34	14	-1.9
36	14	-2.7
38	14	-3.8
40	14	-4.9
42	14	-5.9

44	14	-6.3
46	14	-5.7
48	14	-4.4
50	14	-2.9
52	14	-1.6
54	14	-0.5
56	14	0.3
58	14	0.8
60	14	1
62	14	0.9
64	14	0.4
66	14	-0.5
68	14	-2
70	14	-4.3
72	14	-7.8
74	14	-12.6
76	14	-11.9
78	14	-6.9
80	14	-3.5
82	14	-1.2
84	14	0.3
86	14	1.2
88	14	1.7
90	14	1.7
92	14	1.3
94	14	0.5
96	14	-0.9
98	14	-3.1
100	14	-6.4
102	14	-11.6
104	14	-14.1
106	14	-8.5
108	14	-4.5
110	14	-2
112	14	-0.3
114	14	0.8
116	14	1.5
118	14	1.8
120	14	1.8
122	14	1.5
124	14	1
126	14	0.3
128	14	-0.7
130	14	-2
132	14	-3.4
134	14	-4.8
136	14	-6
138	14	-6.5
140	14	-6.2
142	14	-5.3
144	14	-4.3
146	14	-3.3
148	14	-2.5
150	14	-1.8
152	14	-1.3
154	14	-0.8
156	14	-0.5
158	14	-0.2
160	14	4.44E-16
162	14	0.2
164	14	0.3
166	14	0.3
168	14	0.4
170	14	0.4
172	14	0.5
174	14	0.5
176	14	0.5
178	14	0.5
180	14	0.5
-180	16	-2.4
-178	16	-2.5
-176	16	-2.5
-174	16	-2.6
-172	16	-2.6
-170	16	-2.5
-168	16	-2.3
-166	16	-2.1
-164	16	-1.9
-162	16	-1.5
-160	16	-1.2
-158	16	-0.8
-156	16	-0.3
-154	16	1.24E-14
-152	16	0.4
-150	16	0.7
-148	16	0.8
-146	16	0.8
-144	16	0.7
-142	16	0.4
-140	16	-0.2
-138	16	-1
-136	16	-2.2
-134	16	-3.7
-132	16	-5.3
-130	16	-6.3
-128	16	-5.8
-126	16	-4.2
-124	16	-2.4
-122	16	-0.9
-120	16	0.2
-118	16	0.9
-116	16	1.1
-114	16	0.8
-112	16	0.1
-110	16	-1.4
-108	16	-3.7
-106	16	-7.7
-104	16	-13.6
-102	16	-11
-100	16	-5.5
-98	16	-2.2
-96	16	-0.1
-94	16	1.1
-92	16	1.7
-90	16	1.7
-88	16	1.2
-86	16	0.1
-84	16	-1.8
-82	16	-5
-80	16	-10.1
-78	16	-13.6
-76	16	-7.8
-74	16	-3.7
-72	16	-1.1
-70	16	0.5
-68	16	1.4
-66	16	1.9
-64	16	1.9
-62	16	1.5
-60	16	0.8
-58	16	-0.3
-56	16	-1.8
-54	16	-3.6
-52	16	-5.3
-50	16	-6.4
-48	16	-6
-46	16	-4.7
-44	16	-3.3

-42	16	-2
-40	16	-1.1
-38	16	-0.4
-36	16	0.1
-34	16	0.5
-32	16	0.7
-30	16	0.7
-28	16	0.7
-26	16	0.6
-24	16	0.4
-22	16	0.2
-20	16	8.44E-15
-18	16	-0.2
-16	16	-0.5
-14	16	-0.7
-12	16	-1
-10	16	-1.2
-8	16	-1.5
-6	16	-1.7
-4	16	-1.8
-2	16	-2
0	16	-2.1
2	16	-2.2
4	16	-2.3
6	16	-2.3
8	16	-2.3
10	16	-2.3
12	16	-2.2
14	16	-2.1
16	16	-1.9
18	16	-1.6
20	16	-1.3
22	16	-0.9
24	16	-0.5
26	16	-0.1
28	16	0.2
30	16	0.5
32	16	0.7
34	16	0.7
36	16	0.6
38	16	0.3
40	16	-0.3
42	16	-1.1
44	16	-2.3
46	16	-3.8
48	16	-5.4
50	16	-6.5
52	16	-6
54	16	-4.3
56	16	-2.4
58	16	-0.9
60	16	0.2
62	16	0.8
64	16	1
66	16	0.7
68	16	-0.1
70	16	-1.5
72	16	-3.9
74	16	-7.9
76	16	-13.4
78	16	-10.3
80	16	-5.2
82	16	-2
84	16	4.88E-15
86	16	1.2
88	16	1.8
90	16	1.8
92	16	1.3
94	16	0.2
96	16	-1.7
98	16	-4.8
100	16	-9.9
102	16	-13.6
104	16	-8
106	16	-3.8
108	16	-1.2
110	16	0.4
112	16	1.3
114	16	1.8
116	16	1.8
118	16	1.4
120	16	0.7
122	16	-0.4
124	16	-1.9
126	16	-3.7
128	16	-5.4
130	16	-6.4
132	16	-5.9
134	16	-4.5
136	16	-3.1
138	16	-1.9
140	16	-0.9
142	16	-0.2
144	16	0.2
146	16	0.5
148	16	0.7
150	16	0.7
152	16	0.7
154	16	0.6
156	16	0.4
158	16	0.2
160	16	7.11E-15
162	16	-0.3
164	16	-0.6
166	16	-0.8
168	16	-1.1
170	16	-1.4
172	16	-1.6
174	16	-1.8
176	16	-2
178	16	-2.2
180	16	-2.4
-180	18	-1.7
-178	18	-1.8
-176	18	-1.8
-174	18	-1.9
-172	18	-2.1
-170	18	-2.3
-168	18	-2.6
-166	18	-2.9
-164	18	-3.3
-162	18	-3.7
-160	18	-4.1
-158	18	-4.4
-156	18	-4.5
-154	18	-4.2
-152	18	-3.7
-150	18	-2.9
-148	18	-2
-146	18	-1.1
-144	18	-0.3
-142	18	0.2
-140	18	0.6
-138	18	0.7
-136	18	0.4
-134	18	-0.1
-132	18	-1.1
-130	18	-2.6

-128	18	-4.5
-126	18	-6.2
-124	18	-6.3
-122	18	-4.5
-120	18	-2.3
-118	18	-0.7
-116	18	0.5
-114	18	1
-112	18	0.9
-110	18	0.2
-108	18	-1.3
-106	18	-4
-104	18	-8.8
-102	18	-14.7
-100	18	-8.3
-98	18	-3.5
-96	18	-0.7
-94	18	0.9
-92	18	1.7
-90	18	1.7
-88	18	1.1
-86	18	-0.4
-84	18	-2.9
-82	18	-7.1
-80	18	-12.8
-78	18	-8.8
-76	18	-3.9
-74	18	-1.1
-72	18	0.7
-70	18	1.6
-68	18	1.9
-66	18	1.7
-64	18	0.9
-62	18	-0.3
-60	18	-2
-58	18	-4.1
-56	18	-5.7
-54	18	-5.6
-52	18	-4.1
-50	18	-2.3
-48	18	-1
-46	18	1.95E-14
-44	18	0.7
-42	18	1.1
-40	18	1.2
-38	18	1.1
-36	18	0.9
-34	18	0.6
-32	18	0.2
-30	18	-0.2
-28	18	-0.7
-26	18	-1.2
-24	18	-1.6
-22	18	-1.9
-20	18	-2.2
-18	18	-2.3
-16	18	-2.4
-14	18	-2.4
-12	18	-2.4
-10	18	-2.3
-8	18	-2.1
-6	18	-2
-4	18	-1.9
-2	18	-1.8
0	18	-1.7
2	18	-1.7
4	18	-1.7
6	18	-1.8
8	18	-1.9
10	18	-2.1
12	18	-2.3
14	18	-2.6
16	18	-3
18	18	-3.4
20	18	-3.8
22	18	-4.2
24	18	-4.3
26	18	-4.2
28	18	-3.7
30	18	-2.9
32	18	-2.1
34	18	-1.2
36	18	-0.4
38	18	0.2
40	18	0.6
42	18	0.6
44	18	0.4
46	18	-0.1
48	18	-1.1
50	18	-2.6
52	18	-4.4
54	18	-6.1
56	18	-6.2
58	18	-4.3
60	18	-2.3
62	18	-0.6
64	18	0.5
66	18	0.9
68	18	0.8
70	18	0.1
72	18	-1.5
74	18	-4.3
76	18	-9.2
78	18	-14
80	18	-7.7
82	18	-3.1
84	18	-0.5
86	18	1
88	18	1.8
90	18	1.8
92	18	1.1
94	18	-0.3
96	18	-2.9
98	18	-7.2
100	18	-13.2
102	18	-9
104	18	-4
106	18	-1.1
108	18	0.6
110	18	1.5
112	18	1.8
114	18	1.6
116	18	0.8
118	18	-0.4
120	18	-2.2
122	18	-4.3
124	18	-5.9
126	18	-5.8
128	18	-4.2
130	18	-2.4
132	18	-1
134	18	1.95E-14
136	18	0.7
138	18	1.1
140	18	1.2
142	18	1.2
144	18	0.9
146	18	0.6

148	18	0.2
150	18	-0.2
152	18	-0.7
154	18	-1.1
156	18	-1.5
158	18	-1.8
160	18	-2
162	18	-2.1
164	18	-2.2
166	18	-2.2
168	18	-2.1
170	18	-2
172	18	-1.9
174	18	-1.9
176	18	-1.8
178	18	-1.8
180	18	-1.7
-180	20	0.9
-178	20	1
-176	20	1
-174	20	1
-172	20	1
-170	20	1
-168	20	1
-166	20	0.9
-164	20	0.8
-162	20	0.6
-160	20	0.4
-158	20	-1.69E-14
-156	20	-0.5
-154	20	-1.1
-152	20	-1.9
-150	20	-2.8
-148	20	-3.7
-146	20	-4.3
-144	20	-4.2
-142	20	-3.4
-140	20	-2.3
-138	20	-1.2
-136	20	-0.4
-134	20	0.2
-132	20	0.3
-130	20	-0.1
-128	20	-1
-126	20	-2.6
-124	20	-4.8
-122	20	-6.9
-120	20	-6.5
-118	20	-3.9
-116	20	-1.5
-114	20	0.1
-112	20	0.9
-110	20	0.9
-108	20	0.1
-106	20	-1.7
-104	20	-5.1
-102	20	-11.7
-100	20	-12.3
-98	20	-5.1
-96	20	-1.4
-94	20	0.7
-92	20	1.6
-90	20	1.7
-88	20	0.9
-86	20	-0.8
-84	20	-4.1
-82	20	-9.8
-80	20	-11.5
-78	20	-5.3
-76	20	-1.7
-74	20	0.4
-72	20	1.5
-70	20	1.7
-68	20	1.4
-66	20	0.3
-64	20	-1.4
-62	20	-3.5
-60	20	-5.3
-58	20	-5.1
-56	20	-3.2
-54	20	-1.4
-52	20	-1.02E-14
-50	20	0.9
-48	20	1.4
-46	20	1.5
-44	20	1.4
-42	20	1
-40	20	0.5
-38	20	5.33E-15
-36	20	-0.6
-34	20	-1.1
-32	20	-1.4
-30	20	-1.6
-28	20	-1.6
-26	20	-1.4
-24	20	-1.2
-22	20	-0.9
-20	20	-0.6
-18	20	-0.3
-16	20	-6.66E-15
-14	20	0.2
-12	20	0.4
-10	20	0.5
-8	20	0.6
-6	20	0.7
-4	20	0.8
-2	20	0.8
0	20	0.8
2	20	0.8
4	20	0.9
6	20	0.9
8	20	0.9
10	20	0.9
12	20	0.9
14	20	0.9
16	20	0.8
18	20	0.7
20	20	0.5
22	20	0.1
24	20	-0.3
26	20	-1
28	20	-1.7
30	20	-2.7
32	20	-3.6
34	20	-4.1
36	20	-4.1
38	20	-3.3
40	20	-2.2
42	20	-1.1
44	20	-0.3
46	20	0.2
48	20	0.3
50	20	-0.1
52	20	-1
54	20	-2.5
56	20	-4.7
58	20	-6.5
60	20	-5.9

62	20	-3.5
64	20	-1.3
66	20	0.1
68	20	0.9
70	20	0.8
72	20	-2.22E-15
74	20	-1.9
76	20	-5.4
78	20	-12.2
80	20	-11.4
82	20	-4.8
84	20	-1.2
86	20	0.8
88	20	1.7
90	20	1.7
92	20	0.9
94	20	-0.9
96	20	-4.3
98	20	-10.3
100	20	-11.7
102	20	-5.3
104	20	-1.6
106	20	0.4
108	20	1.4
110	20	1.7
112	20	1.3
114	20	0.2
116	20	-1.5
118	20	-3.8
120	20	-5.7
122	20	-5.5
124	20	-3.5
126	20	-1.6
128	20	-0.2
130	20	0.8
132	20	1.2
134	20	1.4
136	20	1.3
138	20	0.9
140	20	0.4
142	20	-0.2
144	20	-0.9
146	20	-1.4
148	20	-1.8
150	20	-1.9
152	20	-1.8
154	20	-1.5
156	20	-1.2
158	20	-0.8
160	20	-0.4
162	20	-0.1
164	20	0.2
166	20	0.4
168	20	0.6
170	20	0.7
172	20	0.8
174	20	0.8
176	20	0.9
178	20	0.9
180	20	0.9
-180	22	-2.4
-178	22	-2.5
-176	22	-2.6
-174	22	-2.5
-172	22	-2.3
-170	22	-1.9
-168	22	-1.5
-166	22	-1.1
-164	22	-0.6
-162	22	-0.1
-160	22	0.3
-158	22	0.7
-156	22	1
-154	22	1.2
-152	22	1.2
-150	22	1.1
-148	22	0.7
-146	22	-1.82E-14
-144	22	-1
-142	22	-2.2
-140	22	-3.5
-138	22	-4
-136	22	-3.4
-134	22	-2.1
-132	22	-0.9
-130	22	2.22E-15
-128	22	0.3
-126	22	-0.1
-124	22	-1.3
-122	22	-3.4
-120	22	-6.6
-118	22	-8.2
-116	22	-5.1
-114	22	-2
-112	22	1.95E-14
-110	22	1
-108	22	1
-106	22	-2.49E-14
-104	22	-2.5
-102	22	-7.5
-100	22	-16.5
-98	22	-7.3
-96	22	-2.1
-94	22	0.5
-92	22	1.7
-90	22	1.8
-88	22	0.9
-86	22	-1.3
-84	22	-5.5
-82	22	-12.9
-80	22	-8.5
-78	22	-3
-76	22	-0.2
-74	22	1.2
-72	22	1.6
-70	22	1.2
-68	22	-0.1
-66	22	-2.1
-64	22	-4.6
-62	22	-5.7
-60	22	-4
-58	22	-1.7
-56	22	-0.1
-54	22	0.9
-52	22	1.4
-50	22	1.4
-48	22	1.1
-46	22	0.5
-44	22	-0.2
-42	22	-0.9
-40	22	-1.3
-38	22	-1.5
-36	22	-1.3
-34	22	-1
-32	22	-0.6
-30	22	-0.2
-28	22	0.2
-26	22	0.4

-24	22	0.6
-22	22	0.7
-20	22	0.7
-18	22	0.7
-16	22	0.5
-14	22	0.3
-12	22	2.22E-15
-10	22	-0.4
-8	22	-0.8
-6	22	-1.2
-4	22	-1.6
-2	22	-2
0	22	-2.3
2	22	-2.5
4	22	-2.5
6	22	-2.5
8	22	-2.3
10	22	-2
12	22	-1.5
14	22	-1.1
16	22	-0.6
18	22	6.66E-15
20	22	0.4
22	22	0.9
24	22	1.2
26	22	1.4
28	22	1.4
30	22	1.2
32	22	0.8
34	22	0.1
36	22	-0.9
38	22	-2.1
40	22	-3.3
42	22	-3.8
44	22	-3.2
46	22	-1.9
48	22	-0.8
50	22	-8.88E-16
52	22	0.2
54	22	-0.2
56	22	-1.4
58	22	-3.5
60	22	-6.4
62	22	-7.4
64	22	-4.7
66	22	-1.8
68	22	0.1
70	22	0.9
72	22	0.8
74	22	-0.3
76	22	-2.8
78	22	-8.1
80	22	-16.1
82	22	-6.8
84	22	-1.9
86	22	0.6
88	22	1.7
90	22	1.8
92	22	0.8
94	22	-1.5
96	22	-5.9
98	22	-13.6
100	22	-8.1
102	22	-2.8
104	22	6.22E-15
106	22	1.3
108	22	1.6
110	22	1.1
112	22	-0.2
114	22	-2.4
116	22	-5
118	22	-6
120	22	-4.1
122	22	-1.8
124	22	-0.1
126	22	0.9
128	22	1.4
130	22	1.4
132	22	1
134	22	0.4
136	22	-0.3
138	22	-1.1
140	22	-1.6
142	22	-1.8
144	22	-1.6
146	22	-1.3
148	22	-0.8
150	22	-0.3
152	22	0.1
154	22	0.4
156	22	0.6
158	22	0.8
160	22	0.8
162	22	0.7
164	22	0.6
166	22	0.3
168	22	-2.66E-15
170	22	-0.4
172	22	-0.8
174	22	-1.3
176	22	-1.7
178	22	-2.1
180	22	-2.4
-180	24	-0.8
-178	24	-0.9
-176	24	-1.1
-174	24	-1.4
-172	24	-1.8
-170	24	-2.2
-168	24	-2.6
-166	24	-3.1
-164	24	-3.5
-162	24	-3.8
-160	24	-3.8
-158	24	-3.4
-156	24	-2.6
-154	24	-1.6
-152	24	-0.5
-150	24	0.5
-148	24	1.2
-146	24	1.6
-144	24	1.6
-142	24	1.2
-140	24	0.3
-138	24	-1.1
-136	24	-2.8
-134	24	-4
-132	24	-3.4
-130	24	-1.6
-128	24	-0.1
-126	24	0.7
-124	24	0.7
-122	24	-0.3
-120	24	-2.5
-118	24	-6.4
-116	24	-9.7
-114	24	-5.3
-112	24	-1.5

-110	24	0.7
-108	24	1.5
-106	24	1.1
-104	24	-0.6
-102	24	-4.4
-100	24	-14
-98	24	-9.8
-96	24	-2.7
-94	24	0.5
-92	24	1.9
-90	24	2
-88	24	0.9
-86	24	-1.8
-84	24	-7.5
-82	24	-14.4
-80	24	-5.5
-78	24	-1.1
-76	24	1
-74	24	1.7
-72	24	1.4
-70	24	-2.66E-15
-68	24	-2.3
-66	24	-5.2
-64	24	-5.7
-62	24	-3.2
-60	24	-0.9
-58	24	0.6
-56	24	1.2
-54	24	1.3
-52	24	0.8
-50	24	-3.11E-15
-48	24	-1
-46	24	-1.7
-44	24	-1.9
-42	24	-1.6
-40	24	-1
-38	24	-0.4
-36	24	0.1
-34	24	0.5
-32	24	0.7
-30	24	0.8
-28	24	0.8
-26	24	0.8
-24	24	0.7
-22	24	0.6
-20	24	0.4
-18	24	0.2
-16	24	0
-14	24	-0.3
-12	24	-0.5
-10	24	-0.8
-8	24	-0.9
-6	24	-1
-4	24	-1
-2	24	-1
0	24	-1.1
2	24	-1.1
4	24	-1.3
6	24	-1.5
8	24	-1.7
10	24	-2.1
12	24	-2.5
14	24	-2.9
16	24	-3.3
18	24	-3.6
20	24	-3.6
22	24	-3.2
24	24	-2.4
26	24	-1.4
28	24	-0.3
30	24	0.6
32	24	1.2
34	24	1.6
36	24	1.6
38	24	1.1
40	24	0.2
42	24	-1.1
44	24	-2.8
46	24	-3.8
48	24	-3.2
50	24	-1.6
52	24	-0.2
54	24	0.5
56	24	0.5
58	24	-0.4
60	24	-2.6
62	24	-6.3
64	24	-8.9
66	24	-5.1
68	24	-1.5
70	24	0.5
72	24	1.3
74	24	0.9
76	24	-0.9
78	24	-4.9
80	24	-14.8
82	24	-9.2
84	24	-2.5
86	24	0.6
88	24	1.9
90	24	2
92	24	0.8
94	24	-2
96	24	-7.9
98	24	-14
100	24	-5.1
102	24	-0.9
104	24	1.1
106	24	1.8
108	24	1.4
110	24	-3.11E-15
112	24	-2.5
114	24	-5.6
116	24	-5.9
118	24	-3.1
120	24	-0.7
122	24	0.8
124	24	1.4
126	24	1.5
128	24	1
130	24	0.1
132	24	-0.9
134	24	-1.7
136	24	-1.9
138	24	-1.6
140	24	-1
142	24	-0.4
144	24	0.2
146	24	0.5
148	24	0.8
150	24	0.9
152	24	1
154	24	0.9
156	24	0.8
158	24	0.7
160	24	0.5
162	24	0.2
164	24	-0.1

166	24	-0.3
168	24	-0.5
170	24	-0.7
172	24	-0.7
174	24	-0.7
176	24	-0.7
178	24	-0.7
180	24	-0.8
-180	26	2.9
-178	26	3
-176	26	3
-174	26	2.9
-172	26	2.8
-170	26	2.6
-168	26	2.4
-166	26	2.2
-164	26	1.9
-162	26	1.4
-160	26	0.8
-158	26	-0.1
-156	26	-1.3
-154	26	-2.7
-152	26	-3.7
-150	26	-3.7
-148	26	-2.4
-146	26	-0.8
-144	26	0.5
-142	26	1.4
-140	26	1.6
-138	26	1.2
-136	26	0.1
-134	26	-1.7
-132	26	-3.6
-130	26	-3.7
-128	26	-1.8
-126	26	0.2
-124	26	1.3
-122	26	1.4
-120	26	0.4
-118	26	-2
-116	26	-6.7
-114	26	-9.4
-112	26	-3.8
-110	26	-0.1
-108	26	1.6
-106	26	1.9
-104	26	0.8
-102	26	-2.2
-100	26	-9.6
-98	26	-12.6
-96	26	-3.1
-94	26	0.7
-92	26	2.2
-90	26	2.3
-88	26	0.9
-86	26	-2.5
-84	26	-10.4
-82	26	-10.6
-80	26	-2.8
-78	26	0.6
-76	26	1.9
-74	26	2
-72	26	0.8
-70	26	-1.5
-68	26	-4.9
-66	26	-5.9
-64	26	-3
-62	26	-0.5
-60	26	0.9
-58	26	1.4
-56	26	1.1
-54	26	0.2
-52	26	-1
-50	26	-2
-48	26	-2.2
-46	26	-1.5
-44	26	-0.6
-42	26	0.2
-40	26	0.7
-38	26	0.9
-36	26	1
-34	26	0.9
-32	26	0.7
-30	26	0.6
-28	26	0.5
-26	26	0.4
-24	26	0.4
-22	26	0.4
-20	26	0.4
-18	26	0.5
-16	26	0.6
-14	26	0.9
-12	26	1.1
-10	26	1.5
-8	26	1.8
-6	26	2.1
-4	26	2.4
-2	26	2.6
0	26	2.7
2	26	2.8
4	26	2.8
6	26	2.8
8	26	2.8
10	26	2.6
12	26	2.5
14	26	2.3
16	26	1.9
18	26	1.5
20	26	0.8
22	26	-0.1
24	26	-1.3
26	26	-2.6
28	26	-3.5
30	26	-3.5
32	26	-2.3
34	26	-0.7
36	26	0.5
38	26	1.3
40	26	1.5
42	26	1.1
44	26	0.1
46	26	-1.7
48	26	-3.5
50	26	-3.7
52	26	-1.9
54	26	-0.1
56	26	1
58	26	1.2
60	26	0.2
62	26	-2.2
64	26	-6.7
66	26	-9
68	26	-3.8
70	26	-0.2
72	26	1.5
74	26	1.8
76	26	0.7
78	26	-2.4

80	26	-9.9
82	26	-11.9
84	26	-2.9
86	26	0.7
88	26	2.3
90	26	2.3
92	26	0.9
94	26	-2.6
96	26	-10.6
98	26	-10.4
100	26	-2.6
102	26	0.7
104	26	2
106	26	2
108	26	0.9
110	26	-1.6
112	26	-5.2
114	26	-6.1
116	26	-2.9
118	26	-0.3
120	26	1.1
122	26	1.6
124	26	1.3
126	26	0.4
128	26	-0.9
130	26	-2.1
132	26	-2.4
134	26	-1.7
136	26	-0.7
138	26	0.2
140	26	0.7
142	26	1
144	26	1
146	26	0.9
148	26	0.7
150	26	0.6
152	26	0.5
154	26	0.4
156	26	0.3
158	26	0.3
160	26	0.4
162	26	0.5
164	26	0.7
166	26	0.9
168	26	1.2
170	26	1.6
172	26	2
174	26	2.3
176	26	2.6
178	26	2.8
180	26	2.9
-180	28	-1.1
-178	28	-1.2
-176	28	-1.1
-174	28	-0.9
-172	28	-0.6
-170	28	-0.2
-168	28	0.4
-166	28	1
-164	28	1.6
-162	28	2.2
-160	28	2.5
-158	28	2.7
-156	28	2.5
-154	28	2
-152	28	1.1
-150	28	-0.2
-148	28	-1.7
-146	28	-2.7
-144	28	-2.3
-142	28	-0.8
-140	28	0.5
-138	28	1.3
-136	28	1.4
-134	28	0.7
-132	28	-0.9
-130	28	-3
-128	28	-3.7
-126	28	-1.7
-124	28	0.4
-122	28	1.7
-120	28	1.8
-118	28	0.6
-116	28	-2.2
-114	28	-7.2
-112	28	-6.6
-110	28	-1.6
-108	28	1.3
-106	28	2.3
-104	28	1.8
-102	28	-0.6
-100	28	-6.4
-98	28	-15.2
-96	28	-3.7
-94	28	0.7
-92	28	2.4
-90	28	2.4
-88	28	0.7
-86	28	-3.6
-84	28	-14.5
-82	28	-6.5
-80	28	-0.7
-78	28	1.8
-76	28	2.5
-74	28	1.8
-72	28	-0.2
-70	28	-3.7
-68	28	-6
-66	28	-3.2
-64	28	-0.4
-62	28	1.1
-60	28	1.6
-58	28	1.1
-56	28	1.78E-15
-54	28	-1.4
-52	28	-2.2
-50	28	-1.7
-48	28	-0.6
-46	28	0.4
-44	28	1
-42	28	1.2
-40	28	1.2
-38	28	0.9
-36	28	0.6
-34	28	0.3
-32	28	0.2
-30	28	0.2
-28	28	0.2
-26	28	0.2
-24	28	0.2
-22	28	0.1
-20	28	2.22E-15
-18	28	-0.1
-16	28	-0.2
-14	28	-0.3
-12	28	-0.4
-10	28	-0.5
-8	28	-0.7

-6	28	-0.8
-4	28	-1
-2	28	-1.1
0	28	-1.2
2	28	-1.2
4	28	-1.2
6	28	-1
8	28	-0.6
10	28	-0.1
12	28	0.5
14	28	1.1
16	28	1.8
18	28	2.3
20	28	2.6
22	28	2.8
24	28	2.6
26	28	2.1
28	28	1.2
30	28	-0.1
32	28	-1.5
34	28	-2.3
36	28	-1.8
38	28	-0.5
40	28	0.8
42	28	1.5
44	28	1.5
46	28	0.7
48	28	-0.8
50	28	-2.9
52	28	-3.7
54	28	-1.9
56	28	0.2
58	28	1.4
60	28	1.5
62	28	0.4
64	28	-2.5
66	28	-7.4
68	28	-6.7
70	28	-1.7
72	28	1.1
74	28	2.2
76	28	1.6
78	28	-0.7
80	28	-6.4
82	28	-14.2
84	28	-3.6
86	28	0.7
88	28	2.4
90	28	2.4
92	28	0.7
94	28	-3.6
96	28	-14.9
98	28	-6.6
100	28	-0.7
102	28	1.8
104	28	2.5
106	28	1.8
108	28	-0.3
110	28	-3.9
112	28	-6.4
114	28	-3.4
116	28	-0.4
118	28	1.1
120	28	1.6
122	28	1.1
124	28	-0.1
126	28	-1.7
128	28	-2.7
130	28	-2.2
132	28	-0.9
134	28	0.3
136	28	1
138	28	1.2
140	28	1.1
142	28	0.8
144	28	0.5
146	28	0.2
148	28	4.44E-36
150	28	0.1
152	28	0.2
154	28	0.2
156	28	0.3
158	28	0.2
160	28	0.1
162	28	2.22E-15
164	28	-0.1
166	28	-0.2
168	28	-0.3
170	28	-0.5
172	28	-0.6
174	28	-0.7
176	28	-0.9
178	28	-1
180	28	-1.1
-180	30	0.3
-178	30	0.1
-176	30	-0.3
-174	30	-1
-172	30	-1.9
-170	30	-3
-168	30	-4.4
-166	30	-5.5
-164	30	-5.5
-162	30	-4.1
-160	30	-2.2
-158	30	-0.5
-156	30	0.9
-154	30	1.8
-152	30	2.3
-150	30	2.3
-148	30	1.7
-146	30	0.7
-144	30	-0.7
-142	30	-1.7
-140	30	-1.3
-138	30	5.33E-15
-136	30	1.1
-134	30	1.6
-132	30	1.3
-130	30	-1.15E-14
-128	30	-2.3
-126	30	-3.7
-124	30	-2.1
-122	30	0.3
-120	30	1.7
-118	30	1.8
-116	30	0.4
-114	30	-2.8
-112	30	-7
-110	30	-3.9
-108	30	0.1
-106	30	2
-104	30	2.2
-102	30	0.5
-100	30	-4.1
-98	30	-14.7
-96	30	-4.6
-94	30	0.4

-92	30	2.2
-90	30	2.2
-88	30	0.1
-86	30	-5.3
-84	30	-15.1
-82	30	-3.7
-80	30	0.7
-78	30	2.4
-76	30	2.4
-74	30	0.8
-72	30	-2.4
-70	30	-5.8
-68	30	-3.7
-66	30	-0.4
-64	30	1.3
-62	30	1.8
-60	30	1.2
-58	30	-0.1
-56	30	-1.4
-54	30	-1.8
-52	30	-0.9
-50	30	0.3
-48	30	1.1
-46	30	1.4
-44	30	1.3
-42	30	1
-40	30	0.5
-38	30	0.1
-36	30	-0.2
-34	30	-0.2
-32	30	-0.2
-30	30	-0.1
-28	30	-0.1
-26	30	-0.2
-24	30	-0.3
-22	30	-0.5
-20	30	-0.7
-18	30	-0.8
-16	30	-0.9
-14	30	-1
-12	30	-0.9
-10	30	-0.7
-8	30	-0.5
-6	30	-0.2
-4	30	-1.60E-14
-2	30	0.1
0	30	-1.73E-14
2	30	-0.1
4	30	-0.5
6	30	-1.1
8	30	-2
10	30	-3.2
12	30	-4.5
14	30	-5.4
16	30	-5.2
18	30	-3.7
20	30	-1.9
22	30	-0.3
24	30	1
26	30	1.8
28	30	2.2
30	30	2.1
32	30	1.6
34	30	0.6
36	30	-0.6
38	30	-1.4
40	30	-1
42	30	0.2
44	30	1.2
46	30	1.6
48	30	1.2
50	30	-0.1
52	30	-2.2
54	30	-3.6
56	30	-2.1
58	30	0.1
60	30	1.5
62	30	1.5
64	30	0.2
66	30	-3.1
68	30	-7.3
70	30	-4.1
72	30	-0.1
74	30	1.9
76	30	2.1
78	30	0.4
80	30	-4.1
82	30	-14.2
84	30	-4.8
86	30	0.2
88	30	2.1
90	30	2.1
92	30	8.88E-16
94	30	-5.4
96	30	-1.6
98	30	-3.9
100	30	0.6
102	30	2.3
104	30	2.3
106	30	0.7
108	30	-2.6
110	30	-6.1
112	30	-3.8
114	30	-0.5
116	30	1.2
118	30	1.7
120	30	1.1
122	30	-0.2
124	30	-1.6
126	30	-2
128	30	-1.1
130	30	0.2
132	30	1.1
134	30	1.5
136	30	1.4
138	30	1
140	30	0.5
142	30	2.22E-15
144	30	-0.3
146	30	-0.3
148	30	-0.2
150	30	-0.1
152	30	-2.22E-15
154	30	-0.1
156	30	-0.2
158	30	-0.5
160	30	-0.7
162	30	-0.9
164	30	-1
166	30	-0.9
168	30	-0.8
170	30	-0.5
172	30	-0.3
174	30	-1.51E-14
176	30	0.2
178	30	0.3
180	30	0.3
-180	32	4.8

-178	32	5
-176	32	5
-174	32	4.9
-172	32	4.6
-170	32	4.3
-168	32	3.7
-166	32	3
-164	32	2
-162	32	0.6
-160	32	-1.2
-158	32	-3.3
-156	32	-4.6
-154	32	-3.5
-152	32	-1.3
-150	32	0.6
-148	32	1.7
-146	32	2.1
-144	32	1.8
-142	32	0.7
-140	32	-0.7
-138	32	-1.3
-136	32	-0.3
-134	32	1.2
-132	32	2.2
-130	32	2.2
-128	32	1
-126	32	-1.3
-124	32	-3.7
-122	32	-2.4
-120	32	0.3
-118	32	1.8
-116	32	1.7
-114	32	-0.1
-112	32	-4.1
-110	32	-6.9
-108	32	-2.1
-106	32	1.1
-104	32	2
-102	32	1
-100	32	-2.7
-98	32	-12.7
-96	32	-6
-94	32	-0.2
-92	32	1.9
-90	32	1.7
-88	32	-0.8
-86	32	-7.9
-84	32	-10.7
-82	32	-1.8
-80	32	1.5
-78	32	2.4
-76	32	1.5
-74	32	-1.3
-72	32	-5.5
-70	32	-4.3
-68	32	-0.6
-66	32	1.4
-64	32	2
-62	32	1.4
-60	32	-2.09E-14
-58	32	-1.3
-56	32	-1.2
-54	32	4.44E-16
-52	32	1.1
-50	32	1.7
-48	32	1.7
-46	32	1.3
-44	32	0.8
-42	32	0.4
-40	32	0.2
-38	32	0.2
-36	32	0.3
-34	32	0.3
-32	32	0.2
-30	32	0.2
-28	32	0.2
-26	32	0.2
-24	32	0.3
-22	32	0.4
-20	32	0.6
-18	32	0.8
-16	32	1.1
-14	32	1.6
-12	32	2.1
-10	32	2.7
-8	32	3.2
-6	32	3.7
-4	32	4.2
-2	32	4.5
0	32	4.7
2	32	4.9
4	32	4.9
6	32	4.8
8	32	4.5
10	32	4.2
12	32	3.6
14	32	2.9
16	32	1.8
18	32	0.4
20	32	-1.4
22	32	-3.4
24	32	-4.6
26	32	-3.6
28	32	-1.6
30	32	0.2
32	32	1.4
34	32	1.8
36	32	1.6
38	32	0.7
40	32	-0.5
42	32	-1.1
44	32	-0.4
46	32	1
48	32	1.9
50	32	1.9
52	32	0.8
54	32	-1.4
56	32	-3.6
58	32	-2.4
60	32	0.1
62	32	1.6
64	32	1.5
66	32	-0.2
68	32	-4.2
70	32	-6.8
72	32	-2.1
74	32	1
76	32	2
78	32	1
80	32	-2.6
82	32	-12.3
84	32	-6.2
86	32	-0.3
88	32	1.8
90	32	1.6
92	32	-1
94	32	-8
96	32	-10.9

98	32	-1.9
100	32	1.4
102	32	2.2
104	32	1.3
106	32	-1.6
108	32	-5.8
110	32	-4.4
112	32	-0.6
114	32	1.4
116	32	1.9
118	32	1.3
120	32	-0.1
122	32	-1.5
124	32	-1.3
126	32	-0.1
128	32	1.1
130	32	1.7
132	32	1.8
134	32	1.4
136	32	0.9
138	32	0.4
140	32	0.1
142	32	0.1
144	32	0.2
146	32	0.3
148	32	0.3
150	32	0.3
152	32	0.3
154	32	0.3
156	32	0.3
158	32	0.4
160	32	0.6
162	32	0.8
164	32	1.2
166	32	1.6
168	32	2.1
170	32	2.7
172	32	3.2
174	32	3.7
176	32	4.2
178	32	4.6
180	32	4.8
-180	34	0.9
-178	34	1.1
-176	34	1.5
-174	34	1.9
-172	34	2.5
-170	34	3
-168	34	3.6
-166	34	4.1
-164	34	4.4
-162	34	4.5
-160	34	4.2
-158	34	3.4
-156	34	2.1
-154	34	0.2
-152	34	-1.8
-150	34	-2.2
-148	34	-0.6
-146	34	1.1
-144	34	2.2
-142	34	2.3
-140	34	1.5
-138	34	-0.1
-136	34	-1.3
-134	34	-0.6
-132	34	1.1
-130	34	2.3
-128	34	2.4
-126	34	1.2
-124	34	-1.5
-122	34	-3.9
-120	34	-1.8
-118	34	0.9
-116	34	2
-114	34	1.3
-112	34	-1.6
-110	34	-7.5
-108	34	5
-106	34	-0.1
-104	34	1.8
-102	34	1.4
-100	34	-1.7
-98	34	-11.2
-96	34	-7.2
-94	34	-0.4
-92	34	1.8
-90	34	1.5
-88	34	-1.6
-86	34	-10.5
-84	34	-7.4
-82	34	-0.5
-80	34	1.9
-78	34	2
-76	34	-0.1
-74	34	-4.6
-72	34	-6.3
-70	34	-1.4
-68	34	1.3
-66	34	2.2
-64	34	1.5
-62	34	-0.3
-60	34	-2.1
-58	34	-1.7
-56	34	8.88E+16
-54	34	1.4
-52	34	1.8
-50	34	1.5
-48	34	0.9
-46	34	0.2
-44	34	0.1
-42	34	0.4
-40	34	0.7
-38	34	0.9
-36	34	0.8
-34	34	0.6
-32	34	0.5
-30	34	0.7
-28	34	1
-26	34	1.3
-24	34	1.6
-22	34	1.7
-20	34	1.8
-18	34	1.7
-16	34	1.6
-14	34	1.5
-12	34	1.3
-10	34	1.2
-8	34	1
-6	34	0.9
-4	34	0.8
-2	34	0.8
0	34	0.9
2	34	1.1
4	34	1.5
6	34	1.9
8	34	2.5
10	34	3

12	34	3.6
14	34	4
16	34	4.3
18	34	4.4
20	34	4.1
22	34	3.4
24	34	2.1
26	34	0.3
28	34	-1.7
30	34	-2.3
32	34	-0.9
34	34	0
36	34	2
38	34	2.2
40	34	1.6
42	34	0.3
44	34	-1
46	34	-0.6
48	34	1
50	34	2.1
52	34	2.3
54	34	1.1
56	34	-1.5
58	34	-3.8
60	34	-1.9
62	34	0.8
64	34	1.9
66	34	1.2
68	34	-1.8
70	34	-7.3
72	34	-4.6
74	34	0.1
76	34	1.9
78	34	1.5
80	34	-1.6
82	34	-1.1
84	34	-7.1
86	34	-0.4
88	34	1.8
90	34	1.5
92	34	-1.6
94	34	-10.8
96	34	-7.3
98	34	-0.4
100	34	2
102	34	2
104	34	-0.1
106	34	-4.8
108	34	-6.3
110	34	-1.4
112	34	1.4
114	34	2.2
116	34	1.5
118	34	-0.4
120	34	-2.2
122	34	-1.8
124	34	0.1
126	34	1.4
128	34	1.8
130	34	1.6
132	34	0.8
134	34	0.1
136	34	-0.1
138	34	0.1
140	34	0.5
142	34	0.7
144	34	0.8
146	34	0.7
148	34	0.7
150	34	0.8
152	34	1.1
154	34	1.5
156	34	1.8
158	34	1.9
160	34	2
162	34	1.9
164	34	1.7
166	34	1.5
168	34	1.3
170	34	1.1
172	34	0.9
174	34	0.7
176	34	0.7
178	34	0.7
180	34	0.9
-180	36	-0.7
-178	36	-1.2
-176	36	-1.9
-174	36	-3.1
-172	36	-4.5
-170	36	-5.7
-168	36	-5.1
-166	36	-2.8
-164	36	-0.3
-162	36	1.7
-160	36	3
-158	36	3.8
-156	36	3.9
-154	36	3.3
-152	36	2.1
-150	36	0.3
-148	36	-1.4
-146	36	-1.3
-144	36	0.2
-142	36	1.5
-140	36	2
-138	36	1.4
-136	36	-0.1
-134	36	-1.7
-132	36	-1.4
-130	36	0.4
-128	36	1.7
-126	36	1.7
-124	36	0.1
-122	36	-3
-120	36	-4
-118	36	-0.8
-116	36	1.4
-114	36	1.7
-112	36	-0.3
-110	36	-5.9
-108	36	-7.8
-106	36	-1
-104	36	1.8
-102	36	1.9
-100	36	-0.9
-98	36	-9.9
-96	36	-7.8
-94	36	-0.2
-92	36	2.2
-90	36	1.7
-88	36	-1.8
-86	36	-12.8
-84	36	-5
-82	36	0.7
-80	36	2.4
-78	36	1.7
-76	36	-1.6

-74	36	-7.7
-72	36	-3.9
-70	36	0.6
-68	36	2.2
-66	36	2
-64	36	0.1
-62	36	-2.7
-60	36	-2.9
-58	36	-0.4
-56	36	1.4
-54	36	2
-52	36	1.7
-50	36	0.7
-48	36	-0.1
-46	36	-0.1
-44	36	0.5
-42	36	1
-40	36	1.3
-38	36	1.1
-36	36	0.8
-34	36	0.6
-32	36	0.8
-30	36	1.1
-28	36	1.5
-26	36	1.8
-24	36	1.8
-22	36	1.6
-20	36	1.2
-18	36	0.7
-16	36	0.2
-14	36	-0.2
-12	36	-0.4
-10	36	-0.5
-8	36	-0.5
-6	36	-0.5
-4	36	-0.5
-2	36	-0.6
0	36	-0.9
2	36	-1.3
4	36	-2.1
6	36	-3.2
8	36	-4.6
10	36	-5.6
12	36	-4.9
14	36	-2.7
16	36	-0.3
18	36	1.7
20	36	3
22	36	3.7
24	36	3.9
26	36	3.4
28	36	2.2
30	36	0.4
32	36	-1.3
34	36	-1.4
36	36	8.88E-16
38	36	1.3
40	36	1.8
42	36	1.4
44	36	4.44E-15
46	36	-1.5
48	36	-1.3
50	36	0.4
52	36	1.7
54	36	1.6
56	36	0.1
58	36	-3
60	36	-3.9
62	36	-0.8
64	36	1.4
66	36	1.6
68	36	-0.4
70	36	-6
72	36	-7.2
74	36	-0.7
76	36	2
78	36	2
80	36	-0.7
82	36	-9.7
84	36	-7.5
86	36	1.69E-14
88	36	2.3
90	36	1.8
92	36	-1.8
94	36	-12.9
96	36	-4.8
98	36	0.8
100	36	2.5
102	36	1.8
104	36	-1.6
106	36	-7.7
108	36	-3.8
110	36	0.7
112	36	2.3
114	36	2
116	36	0.1
118	36	-2.7
120	36	-2.8
122	36	-0.3
124	36	1.5
126	36	2
128	36	1.6
130	36	0.6
132	36	-0.3
134	36	-0.4
136	36	0.3
138	36	0.9
140	36	1.2
142	36	1.1
144	36	0.9
146	36	0.8
148	36	0.9
150	36	1.3
152	36	1.7
154	36	2
156	36	2
158	36	1.9
160	36	1.5
162	36	1
164	36	0.4
166	36	-4.44E-16
168	36	-0.2
170	36	-0.3
172	36	-0.3
174	36	-0.3
176	36	-0.3
178	36	-0.4
180	36	-0.7
-180	38	6.2
-178	38	6.3
-176	38	6.2
-174	38	6
-172	38	5.4
-170	38	4.6
-168	38	3.4
-166	38	1.8
-164	38	-0.3
-162	38	-2.2

-160	38	-2.4
-158	38	-0.7
-156	38	1.1
-154	38	2.4
-152	38	2.9
-150	38	2.6
-148	38	1.5
-146	38	-0.2
-144	38	-1.5
-142	38	-1
-140	38	0.6
-138	38	1.6
-136	38	1.5
-134	38	0.3
-132	38	-1.4
-130	38	-1.5
-128	38	0.1
-126	38	1.3
-124	38	1
-122	38	-1.1
-120	38	-4.2
-118	38	-2.9
-116	38	0.3
-114	38	1.7
-112	38	0.7
-110	38	-3.5
-108	38	-9.7
-106	38	-2.1
-104	38	1.7
-102	38	2.3
-100	38	0.1
-98	38	-7.8
-96	38	-8.9
-94	38	-0.2
-92	38	2.3
-90	38	1.8
-88	38	-2.2
-86	38	-13.7
-84	38	-3.2
-82	38	1.5
-80	38	2.7
-78	38	1.2
-76	38	-3.3
-74	38	-7.4
-72	38	-1.4
-70	38	1.7
-68	38	2.3
-66	38	1
-64	38	-1.9
-62	38	-3.4
-60	38	-0.9
-58	38	1.4
-56	38	2.3
-54	38	2.1
-52	38	1.2
-50	38	0.2
-48	38	-5.77E-15
-46	38	0.6
-44	38	1.2
-42	38	1.5
-40	38	1.5
-38	38	1.3
-36	38	1.2
-34	38	1.2
-32	38	1.4
-30	38	1.6
-28	38	1.7
-26	38	1.6
-24	38	1.4
-22	38	1
-20	38	0.9
-18	38	0.9
-16	38	1.3
-14	38	2
-12	38	2.8
-10	38	3.6
-8	38	4.3
-6	38	4.9
-4	38	5.5
-2	38	5.9
0	38	6.2
2	38	6.3
4	38	6.2
6	38	6
8	38	5.5
10	38	4.7
12	38	3.6
14	38	2
16	38	-0.1
18	38	-2
20	38	-2.3
22	38	-0.7
24	38	1.1
26	38	2.4
28	38	2.9
30	38	2.6
32	38	1.5
34	38	-0.2
36	38	-1.6
38	38	-1.1
40	38	0.4
42	38	1.4
44	38	1.3
46	38	0.2
48	38	-1.4
50	38	-1.5
52	38	0.1
54	38	1.2
56	38	0.9
58	38	-1.2
60	38	-4.2
62	38	-2.8
64	38	0.4
66	38	1.7
68	38	0.6
70	38	-3.6
72	38	-9.3
74	38	-1.9
76	38	1.8
78	38	2.4
80	38	0.1
82	38	-7.7
84	38	-8.6
86	38	-0.1
88	38	2.4
90	38	1.9
92	38	-2.1
94	38	-13.5
96	38	-3.1
98	38	1.6
100	38	2.7
102	38	1.2
104	38	-3.4
106	38	-7.3
108	38	-1.3
110	38	1.8
112	38	2.3
114	38	1

116	38	-1.9
118	38	-3.4
120	38	-0.8
122	38	1.4
124	38	2.2
126	38	2
128	38	0.9
130	38	-3.55E-15
132	38	-0.2
134	38	0.5
136	38	1.2
138	38	1.5
140	38	1.4
142	38	1.2
144	38	1.1
146	38	1.2
148	38	1.4
150	38	1.6
152	38	1.7
154	38	1.7
156	38	1.4
158	38	1.2
160	38	1
162	38	1.1
164	38	1.6
166	38	2.2
168	38	3
170	38	3.7
172	38	4.4
174	38	5
176	38	5.5
178	38	5.9
180	38	6.2
-180	40	4.2
-178	40	4.5
-176	40	4.9
-174	40	5.2
-172	40	5.5
-170	40	5.7
-168	40	5.7
-166	40	5.5
-164	40	4.9
-162	40	3.9
-160	40	2.2
-158	40	0.1
-156	40	-1.5
-154	40	-0.9
-152	40	1
-150	40	2.5
-148	40	2.9
-146	40	2.4
-144	40	0.9
-142	40	-1
-140	40	-1.3
-138	40	0.3
-136	40	1.5
-134	40	1.6
-132	40	0.4
-130	40	-1.4
-128	40	-1.4
-126	40	0.4
-124	40	1.4
-122	40	0.6
-120	40	-2.4
-118	40	-4.9
-116	40	-1.4
-114	40	1.3
-112	40	1.6
-110	40	-1.1
-108	40	-8.1
-106	40	-4.2
-104	40	1
-102	40	2.5
-100	40	0.9
-98	40	-5.6
-96	40	-11.4
-94	40	-0.7
-92	40	2.1
-90	40	1.5
-88	40	-2.9
-86	40	-12.2
-84	40	-2
-82	40	1.9
-80	40	2.3
-78	40	-7.11E-15
-76	40	-5.3
-74	40	-3.9
-72	40	0.6
-70	40	2.3
-68	40	1.7
-66	40	-0.7
-64	40	-2.7
-62	40	-0.8
-60	40	1.6
-58	40	2.6
-56	40	2.3
-54	40	1.3
-52	40	0.2
-50	40	0.1
-48	40	0.7
-46	40	1.1
-44	40	1.2
-42	40	1.1
-40	40	0.9
-38	40	1
-36	40	1.2
-34	40	1.3
-32	40	1.3
-30	40	1.2
-28	40	1.2
-26	40	1.3
-24	40	1.6
-22	40	2.1
-20	40	2.7
-18	40	3.2
-16	40	3.6
-14	40	3.9
-12	40	4.1
-10	40	4.2
-8	40	4.1
-6	40	4
-4	40	4
-2	40	4.1
0	40	4.3
2	40	4.5
4	40	4.9
6	40	5.3
8	40	5.6
10	40	5.8
12	40	5.9
14	40	5.7
16	40	5
18	40	3.9
20	40	2.2
22	40	1.11E-14
24	40	-1.7
26	40	-0.9
28	40	0.9

30	40	2.3
32	40	2.8
34	40	2.2
36	40	0.7
38	40	-1.3
40	40	-1.6
42	40	-7.99E+15
44	40	1.3
46	40	1.5
48	40	0.3
50	40	-1.3
52	40	-1.3
54	40	0.4
56	40	1.3
58	40	0.5
60	40	-2.4
62	40	-4.8
64	40	-1.4
66	40	1.3
68	40	1.5
70	40	-1.1
72	40	-7.7
74	40	-4
76	40	1
78	40	2.4
80	40	0.7
82	40	-5.9
84	40	-10.5
86	40	-0.5
88	40	2.2
90	40	1.6
92	40	-2.9
94	40	-12.4
96	40	-1.9
98	40	1.9
100	40	2.3
102	40	-0.1
104	40	-5.6
106	40	-4
108	40	0.7
110	40	2.3
112	40	1.7
114	40	-0.8
116	40	-2.8
118	40	-0.8
120	40	1.6
122	40	2.5
124	40	2.2
126	40	1.1
128	40	0.2
130	40	0.1
132	40	0.7
134	40	1.1
136	40	1.2
138	40	1
140	40	0.9
142	40	0.9
144	40	1.1
146	40	1.2
148	40	1.1
150	40	1
152	40	0.9
154	40	1
156	40	1.4
158	40	2
160	40	2.7
162	40	3.3
164	40	3.7
166	40	4
168	40	4.2
170	40	4.2
172	40	4.1
174	40	4
176	40	4
178	40	4.1
180	40	4.2
-180	42	-1.6
-178	42	-2.5
-176	42	-3.1
-174	42	-2.9
-172	42	-1.6
-170	42	0.3
-168	42	2.1
-166	42	3.6
-164	42	4.6
-162	42	5.1
-160	42	4.9
-158	42	3.9
-156	42	2.1
-154	42	-0.4
-152	42	-2
-150	42	-0.7
-148	42	1.3
-146	42	2.3
-144	42	2.1
-142	42	0.7
-140	42	-1.2
-138	42	-1.4
-136	42	0.4
-134	42	1.6
-132	42	1.5
-130	42	-0.2
-128	42	-2.1
-126	42	-1
-124	42	1
-122	42	1.5
-120	42	-0.3
-118	42	-4.9
-116	42	-4.5
-114	42	0.2
-112	42	1.8
-110	42	0.4
-108	42	-5.4
-106	42	-8
-104	42	-0.2
-102	42	2.3
-100	42	1.3
-98	42	-4.4
-96	42	-14.4
-94	42	-1
-92	42	2
-90	42	1.4
-88	42	-3.5
-86	42	-10.3
-84	42	-1.1
-82	42	2
-80	42	1.8
-78	42	-1.6
-76	42	-5.7
-74	42	-1.1
-72	42	2
-70	42	2.4
-68	42	0.7
-66	42	-2
-64	42	-0.9
-62	42	1.8
-60	42	3
-58	42	2.8

-56	42	1.5
-54	42	0.3
-52	42	0.5
-50	42	1.5
-48	42	2
-46	42	1.9
-44	42	1.4
-42	42	1
-40	42	1.1
-38	42	1.5
-36	42	1.7
-34	42	1.6
-32	42	1.3
-30	42	1.1
-28	42	1.4
-26	42	2
-24	42	2.8
-22	42	3.5
-20	42	3.9
-18	42	4
-16	42	3.9
-14	42	3.5
-12	42	3
-10	42	2.3
-8	42	1.6
-6	42	0.9
-4	42	0.1
-2	42	-0.7
0	42	-1.6
2	42	-2.5
4	42	-3.3
6	42	-3.1
8	42	-1.8
10	42	0.2
12	42	2.1
14	42	3.7
16	42	4.7
18	42	5.1
20	42	4.8
22	42	3.8
24	42	2
26	42	-0.5
28	42	-2.1
30	42	-0.7
32	42	1.2
34	42	2.2
36	42	1.9
38	42	0.5
40	42	-1.4
42	42	-1.7
44	42	0.1
46	42	1.4
48	42	1.3
50	42	-0.2
52	42	-1.9
54	42	-0.9
56	42	1
58	42	1.5
60	42	-0.3
62	42	-4.7
64	42	-4.6
66	42	1.95E-14
68	42	1.6
70	42	0.3
72	42	-5.3
74	42	-7.5
76	42	-0.2
78	42	2.1
80	42	1.1
82	42	-4.7
84	42	-13.6
86	42	-1
88	42	2
90	42	1.3
92	42	-3.7
94	42	-10.6
96	42	-1
98	42	2.1
100	42	1.8
102	42	-1.7
104	42	-6.2
106	42	-1.1
108	42	2.1
110	42	2.5
112	42	0.8
114	42	-1.8
116	42	-0.9
118	42	1.8
120	42	3
122	42	2.8
124	42	1.6
126	42	0.4
128	42	0.7
130	42	1.6
132	42	2.1
134	42	1.9
136	42	1.5
138	42	1.2
140	42	1.3
142	42	1.7
144	42	1.8
146	42	1.6
148	42	1.3
150	42	1.1
152	42	1.4
154	42	2.2
156	42	3
158	42	3.6
160	42	4
162	42	4.1
164	42	4
166	42	3.6
168	42	3
170	42	2.3
172	42	1.5
174	42	0.8
176	42	8.88E-16
178	42	-0.8
180	42	-1.6
-180	44	5.3
-178	44	5.3
-176	44	4.9
-174	44	4
-172	44	2.6
-170	44	0.9
-168	44	-0.7
-166	44	-0.8
-164	44	0.8
-162	44	2.6
-160	44	3.9
-158	44	4.6
-156	44	4.5
-154	44	3.5
-152	44	1.6
-150	44	-0.7
-148	44	-1.2
-146	44	0.5
-144	44	1.8

-142	44	2
-140	44	0.9
-138	44	-0.7
-136	44	-0.7
-134	44	1
-132	44	1.9
-130	44	1.4
-128	44	-0.6
-126	44	-1.8
-124	44	0.3
-122	44	1.9
-120	44	1.4
-118	44	-2
-116	44	-6.5
-114	44	-1.4
-112	44	1.7
-110	44	1.4
-108	44	-3
-106	44	-12.6
-104	44	-1.3
-102	44	2.2
-100	44	1.8
-98	44	-3.3
-96	44	-17.3
-94	44	-0.9
-92	44	2.4
-90	44	1.7
-88	44	-3.6
-86	44	-9.3
-84	44	-0.3
-82	44	2.3
-80	44	1.4
-78	44	-3.2
-76	44	-5.5
-74	44	0.2
-72	44	2.5
-70	44	2
-68	44	-0.7
-66	44	-2.3
-64	44	0.6
-62	44	2.8
-60	44	3.1
-58	44	2
-56	44	0.5
-54	44	0.6
-52	44	1.9
-50	44	2.8
-48	44	2.9
-46	44	2.3
-44	44	1.7
-42	44	1.6
-40	44	1.8
-38	44	2
-36	44	2
-34	44	1.8
-32	44	1.7
-30	44	1.9
-28	44	2.4
-26	44	2.9
-24	44	3.1
-22	44	3
-20	44	2.6
-18	44	1.9
-16	44	1.1
-14	44	0.5
-12	44	0.4
-10	44	1.1
-8	44	2.1
-6	44	3.3
-4	44	4.2
-2	44	4.9
0	44	5.3
2	44	5.3
4	44	4.9
6	44	4
8	44	2.7
10	44	1
12	44	-0.6
14	44	-0.7
16	44	1
18	44	2.8
20	44	4.1
22	44	4.7
24	44	4.5
26	44	3.4
28	44	1.5
30	44	-0.7
32	44	-1.1
34	44	0.5
36	44	1.8
38	44	1.9
40	44	0.9
42	44	-0.6
44	44	-0.6
46	44	0.9
48	44	1.9
50	44	1.4
52	44	-0.5
54	44	-1.5
56	44	0.4
58	44	1.9
60	44	1.4
62	44	-1.8
64	44	-6.2
66	44	-1.6
68	44	1.4
70	44	1.2
72	44	-3.1
74	44	-11.8
76	44	-1.4
78	44	2
80	44	1.6
82	44	-3.6
84	44	-16.5
86	44	-0.9
88	44	2.3
90	44	1.6
92	44	-3.7
94	44	-9.5
96	44	-0.3
98	44	2.3
100	44	1.4
102	44	-3.3
104	44	-5.6
106	44	0.3
108	44	2.6
110	44	2.1
112	44	-0.6
114	44	-2.3
116	44	0.6
118	44	2.8
120	44	3.1
122	44	2.1
124	44	0.6
126	44	0.7
128	44	2
130	44	2.9
132	44	2.9

134	44	2.3
136	44	1.7
138	44	1.6
140	44	2
142	44	2.2
144	44	2.1
146	44	1.8
148	44	1.7
150	44	2
152	44	2.5
154	44	3
156	44	3.3
158	44	3.2
160	44	2.7
162	44	1.9
164	44	1.1
166	44	0.4
168	44	0.4
170	44	1.1
172	44	2.2
174	44	3.3
176	44	4.3
178	44	5
180	44	5.3
-180	46	5.9
-178	46	6.1
-176	46	6
-174	46	5.8
-172	46	5.3
-170	46	4.5
-168	46	3.3
-166	46	1.6
-164	46	-0.6
-162	46	-2
-160	46	-0.8
-158	46	1.6
-156	46	3.5
-154	46	4.3
-152	46	4.2
-150	46	2.9
-148	46	0.9
-146	46	-0.3
-144	46	0.9
-142	46	2.3
-140	46	2.6
-138	46	1.6
-136	46	0.1
-134	46	0.2
-132	46	1.6
-130	46	2.2
-128	46	1
-126	46	-1.3
-124	46	-1.1
-122	46	1.2
-120	46	1.9
-118	46	3.11E+15
-116	46	-5.1
-114	46	-3
-112	46	1.3
-110	46	1.9
-108	46	-1.3
-106	46	-11.6
-104	46	-1.9
-102	46	2.4
-100	46	2.4
-98	46	-2.1
-96	46	-20.2
-94	46	-0.8
-92	46	2.7
-90	46	1.9
-88	46	-3.8
-86	46	-8.5
-84	46	0.3
-82	46	2.5
-80	46	1
-78	46	-4.8
-76	46	-4.3
-74	46	1
-72	46	2.5
-70	46	1.1
-68	46	-2.1
-66	46	-1.3
-64	46	1.8
-62	46	3.1
-60	46	2.6
-58	46	1.1
-56	46	0.7
-54	46	1.9
-52	46	2.9
-50	46	3
-48	46	2.6
-46	46	2
-44	46	1.9
-42	46	2
-40	46	2.1
-38	46	2
-36	46	2
-34	46	2.3
-32	46	2.7
-30	46	3.1
-28	46	3.2
-26	46	2.9
-24	46	2.4
-22	46	1.8
-20	46	1.3
-18	46	1.1
-16	46	1.5
-14	46	2.2
-12	46	2.9
-10	46	3.6
-8	46	4.2
-6	46	4.7
-4	46	5.2
-2	46	5.6
0	46	5.9
2	46	6
4	46	6
6	46	5.8
8	46	5.4
10	46	4.6
12	46	3.3
14	46	1.6
16	46	-0.6
18	46	-1.9
20	46	-0.5
22	46	1.8
24	46	3.5
26	46	4.3
28	46	4.1
30	46	2.9
32	46	1
34	46	0
36	46	1.1
38	46	2.4
40	46	2.6
42	46	1.7
44	46	0.3
46	46	0.3

48	46	1.6
50	46	2.1
52	46	1.1
54	46	-1.1
56	46	-0.9
58	46	1.3
60	46	1.9
62	46	2.22E-15
64	46	-4.8
66	46	-3
68	46	1.1
70	46	1.8
72	46	-1.4
74	46	-11.4
76	46	-2.1
78	46	2.2
80	46	2.2
82	46	-2.5
84	46	-18.9
86	46	-0.7
88	46	2.7
90	46	1.9
92	46	-3.9
94	46	-8.7
96	46	0.3
98	46	2.5
100	46	1
102	46	-4.8
104	46	-4.5
106	46	0.9
108	46	2.4
110	46	1
112	46	-2.2
114	46	-1.5
116	46	1.7
118	46	3
120	46	2.5
122	46	1
124	46	0.5
126	46	1.8
128	46	2.9
130	46	3.1
132	46	2.5
134	46	1.8
136	46	1.7
138	46	2
140	46	2.2
142	46	2.1
144	46	2
146	46	2.2
148	46	2.6
150	46	3.1
152	46	3.2
154	46	3
156	46	2.4
158	46	1.7
160	46	1.1
162	46	1.1
164	46	1.5
166	46	2.3
168	46	3.1
170	46	3.8
172	46	4.3
174	46	4.8
176	46	5.2
178	46	5.6
180	46	5.9
-180	48	3.4
-178	48	3.1
-176	48	3.2
-174	48	3.6
-172	48	4.3
-170	48	4.9
-168	48	5.4
-166	48	5.4
-164	48	4.9
-162	48	3.5
-160	48	1.2
-158	48	-1
-156	48	-0.2
-154	48	2.2
-152	48	3.7
-150	48	4
-148	48	2.9
-146	48	1
-144	48	-0.1
-142	48	1.2
-140	48	2.5
-138	48	2.5
-136	48	1.2
-134	48	-0.1
-132	48	0.9
-130	48	2.4
-128	48	2.3
-126	48	0.4
-124	48	-1.8
-122	48	3.02E-14
-120	48	1.8
-118	48	1.1
-116	48	-3
-114	48	-5.2
-112	48	0.3
-110	48	2.1
-108	48	-8.79E-14
-106	48	-8.2
-104	48	-3.2
-102	48	2.1
-100	48	2.7
-98	48	-1.3
-96	48	-20.6
-94	48	-1.1
-92	48	2.6
-90	48	1.7
-88	48	-4.6
-86	48	-7
-84	48	0.9
-82	48	2.5
-80	48	0.4
-78	48	-5.8
-76	48	-2.5
-74	48	1.7
-72	48	2.2
-70	48	-1.33E-15
-68	48	-2.1
-66	48	0.6
-64	48	2.8
-62	48	3
-60	48	1.7
-58	48	0.6
-56	48	1.4
-54	48	2.5
-52	48	2.8
-50	48	2.3
-48	48	1.8
-46	48	2
-44	48	2.5
-42	48	2.7
-40	48	2.5

-38	48	2.3
-36	48	2.6
-34	48	3.2
-32	48	3.7
-30	48	3.7
-28	48	3.4
-26	48	2.9
-24	48	2.6
-22	48	2.9
-20	48	3.6
-18	48	4.5
-16	48	5.2
-14	48	5.6
-12	48	5.8
-10	48	5.7
-8	48	5.5
-6	48	5.1
-4	48	4.6
-2	48	4
0	48	3.5
2	48	3.2
4	48	3.3
6	48	3.7
8	48	4.3
10	48	4.9
12	48	5.3
14	48	5.3
16	48	4.8
18	48	3.4
20	48	1.2
22	48	-0.8
24	48	9.77E-15
26	48	2.2
28	48	3.7
30	48	4
32	48	3
34	48	1.1
36	48	1.33E-15
38	48	1.2
40	48	2.5
42	48	2.6
44	48	1.3
46	48	0.1
48	48	0.9
50	48	2.3
52	48	2.2
54	48	0.3
56	48	-1.6
58	48	4.44E-15
60	48	1.8
62	48	1.1
64	48	-3
66	48	-5.1
68	48	0.2
70	48	2
72	48	1.69E-14
74	48	-8.1
76	48	-3.2
78	48	2.1
80	48	2.6
82	48	-1.4
84	48	-21.2
86	48	-1.1
88	48	2.6
90	48	1.6
92	48	-4.9
94	48	-6.9
96	48	1
98	48	2.6
100	48	0.4
102	48	-6.2
104	48	-2.7
106	48	1.6
108	48	2.1
110	48	-0.1
112	48	-2.4
114	48	0.4
116	48	2.7
118	48	2.8
120	48	1.5
122	48	0.3
124	48	1.3
126	48	2.6
128	48	2.8
130	48	2.2
132	48	1.6
134	48	1.8
136	48	2.4
138	48	2.6
140	48	2.4
142	48	2.2
144	48	2.6
146	48	3.3
148	48	3.8
150	48	3.9
152	48	3.5
154	48	2.8
156	48	2.4
158	48	2.7
160	48	3.5
162	48	4.4
164	48	5.2
166	48	5.7
168	48	5.9
170	48	5.8
172	48	5.6
174	48	5.1
176	48	4.6
178	48	4
180	48	3.4
-180	50	3.2
-178	50	3
-176	50	2.6
-174	50	2.3
-172	50	2.5
-170	50	3.4
-168	50	4.7
-166	50	5.8
-164	50	6.4
-162	50	6.4
-160	50	5.6
-158	50	3.9
-156	50	1.7
-154	50	0.8
-152	50	2.1
-150	50	3.5
-148	50	3.9
-146	50	3
-144	50	1.3
-142	50	0.5
-140	50	1.6
-138	50	2.4
-136	50	1.9
-134	50	0.3
-132	50	0
-130	50	1.8
-128	50	2.9
-126	50	1.9

-124	50	-0.5
-122	50	-0.4
-120	50	2
-118	50	2.4
-116	50	-0.3
-114	50	-6
-112	50	-1.3
-110	50	2
-108	50	1.3
-106	50	-4.7
-104	50	-6.1
-102	50	1.2
-100	50	2.5
-98	50	-0.7
-96	50	-18
-94	50	-1.8
-92	50	2.3
-90	50	1.4
-88	50	-5.5
-86	50	-6.3
-84	50	1
-82	50	2.2
-80	50	-0.9
-78	50	-6.9
-76	50	-0.9
-74	50	2.2
-72	50	1.8
-70	50	-1.1
-68	50	-1.6
-66	50	1.6
-64	50	3
-62	50	2.3
-60	50	0.5
-58	50	0.4
-56	50	2
-54	50	2.8
-52	50	2.5
-50	50	1.7
-48	50	1.7
-46	50	2.4
-44	50	2.8
-42	50	2.6
-40	50	2.2
-38	50	2.3
-36	50	2.8
-34	50	3.4
-32	50	3.6
-30	50	3.2
-28	50	2.6
-26	50	2.3
-24	50	2.7
-22	50	3.4
-20	50	4.1
-18	50	4.5
-16	50	4.6
-14	50	4.5
-12	50	4.1
-10	50	3.7
-8	50	3.3
-6	50	3.1
-4	50	3.1
-2	50	3.2
0	50	3.2
2	50	3
4	50	2.6
6	50	2.2
8	50	2.5
10	50	3.4
12	50	4.7
14	50	5.7
16	50	6.3
18	50	6.3
20	50	5.5
22	50	3.9
24	50	1.7
26	50	0.7
28	50	2
30	50	3.4
32	50	3.8
34	50	3
36	50	1.3
38	50	0.3
40	50	1.3
42	50	2.2
44	50	1.8
46	50	0.2
48	50	-0.1
50	50	1.6
52	50	2.6
54	50	1.7
56	50	-0.7
58	50	-0.5
60	50	1.9
62	50	2.3
64	50	-0.4
66	50	-6
68	50	-1.3
70	50	2
72	50	1.3
74	50	-4.9
76	50	-5.9
78	50	1.3
80	50	2.6
82	50	-0.7
84	50	-17.6
86	50	-1.7
88	50	2.3
90	50	1.3
92	50	-6
94	50	-6
96	50	1.2
98	50	2.2
100	50	-1
102	50	-7.6
104	50	-0.8
106	50	2.3
108	50	1.9
110	50	-1.3
112	50	-1.8
114	50	1.6
116	50	2.9
118	50	2.1
120	50	0.2
122	50	0.3
124	50	2.1
126	50	2.9
128	50	2.4
130	50	1.6
132	50	1.6
134	50	2.4
136	50	3
138	50	2.8
140	50	2.4
142	50	2.4
144	50	3.1
146	50	3.7
148	50	3.7
150	50	3.3

152	50	2.6
154	50	2.2
156	50	2.6
158	50	3.4
160	50	4.2
162	50	4.6
164	50	4.6
166	50	4.4
168	50	4.1
170	50	3.6
172	50	3.3
174	50	3.1
176	50	3.1
178	50	3.2
180	50	3.2
-180	52	4.3
-178	52	4.6
-176	52	4.4
-174	52	3.7
-172	52	2.3
-170	52	0.7
-168	52	-0.2
-166	52	1
-164	52	2.9
-162	52	4.4
-160	52	5.2
-158	52	5
-156	52	3.9
-154	52	1.9
-152	52	0.4
-150	52	1.4
-148	52	3
-146	52	3.7
-144	52	3
-142	52	1.6
-140	52	1.2
-138	52	2.2
-136	52	2.7
-134	52	1.8
-132	52	0.4
-130	52	0.9
-128	52	2.4
-126	52	2.4
-124	52	0.4
-122	52	-1
-120	52	1.4
-118	52	2.9
-116	52	1.4
-114	52	-4.1
-112	52	-3.2
-110	52	1.5
-108	52	1.9
-106	52	-2.7
-104	52	-9.3
-102	52	0.3
-100	52	2.4
-98	52	-0.3
-96	52	-16.7
-94	52	-2
-92	52	2.3
-90	52	1.3
-88	52	-6.4
-86	52	-5.5
-84	52	1.3
-82	52	2
-80	52	-2.1
-78	52	-7.1
-76	52	0.1
-74	52	2.4
-72	52	1.1
-70	52	-2.5
-68	52	-1
-66	52	2.2
-64	52	2.9
-62	52	1.6
-60	52	0.4
-58	52	1.5
-56	52	2.8
-54	52	2.9
-52	52	2.1
-50	52	1.6
-48	52	2
-46	52	2.5
-44	52	2.4
-42	52	1.9
-40	52	1.8
-38	52	2.3
-36	52	3
-34	52	3.2
-32	52	2.9
-30	52	2.5
-28	52	2.6
-26	52	3.2
-24	52	4
-22	52	4.4
-20	52	4.3
-18	52	3.8
-16	52	2.8
-14	52	1.7
-12	52	0.8
-10	52	0.5
-8	52	0.9
-6	52	1.7
-4	52	2.7
-2	52	3.6
0	52	4.3
2	52	4.5
4	52	4.3
6	52	3.5
8	52	2.1
10	52	0.6
12	52	-0.1
14	52	1
16	52	2.9
18	52	4.4
20	52	5.2
22	52	5
24	52	3.9
26	52	1.9
28	52	0.4
30	52	1.3
32	52	3
34	52	3.7
36	52	3.1
38	52	1.8
40	52	1.4
42	52	2.3
44	52	2.7
46	52	1.8
48	52	0.4
50	52	0.8
52	52	2.3
54	52	2.2
56	52	0.3
58	52	-1.1
60	52	1.3
62	52	2.7
64	52	1.1

66	52	-4.2
68	52	-3
70	52	1.5
72	52	1.8
74	52	-3
76	52	-9
78	52	0.3
80	52	2.3
82	52	-0.6
84	52	-18
86	52	-1.8
88	52	2.3
90	52	1.1
92	52	-7.2
94	52	-5.1
96	52	1.5
98	52	2
100	52	-2.3
102	52	-7
104	52	0.4
106	52	2.6
108	52	1.2
110	52	-2.6
112	52	-1.1
114	52	2.1
116	52	2.8
118	52	1.4
120	52	0.1
122	52	1.5
124	52	3
126	52	3.1
128	52	2.1
130	52	1.5
132	52	2
134	52	2.7
136	52	2.6
138	52	2.1
140	52	1.9
142	52	2.5
144	52	3.2
146	52	3.3
148	52	2.9
150	52	2.4
152	52	2.6
154	52	3.3
156	52	4.1
158	52	4.4
160	52	4.3
162	52	3.7
164	52	2.7
166	52	1.5
168	52	0.7
170	52	0.4
172	52	0.8
174	52	1.6
176	52	2.6
178	52	3.6
180	52	4.3
-180	54	4.7
-178	54	4.8
-176	54	5
-174	54	5.1
-172	54	4.9
-170	54	4.2
-168	54	2.8
-166	54	0.7
-164	54	-1.2
-162	54	1.42E-14
-160	54	2.7
-158	54	4.5
-156	54	5
-154	54	4.3
-152	54	2.3
-150	54	0.2
-148	54	0.8
-146	54	2.6
-144	54	3.2
-142	54	2.4
-140	54	1.1
-138	54	1.3
-136	54	2.5
-134	54	2.7
-132	54	1.4
-130	54	0.5
-128	54	1.7
-126	54	2.6
-124	54	1.4
-122	54	-1.6
-120	54	-0.8
-118	54	1.8
-116	54	1.5
-114	54	-2.9
-112	54	-5.6
-110	54	0.5
-108	54	1.8
-106	54	-1.9
-104	54	-11.6
-102	54	-0.3
-100	54	2.4
-98	54	-0.1
-96	54	-17.1
-94	54	-1.8
-92	54	2.5
-90	54	1.3
-88	54	-7
-86	54	-4
-84	54	1.9
-82	54	1.9
-80	54	-3.1
-78	54	-5.8
-76	54	0.9
-74	54	2.3
-72	54	-8.88E-16
-70	54	-3
-68	54	0.4
-66	54	2.8
-64	54	2.7
-62	54	1.2
-60	54	1.1
-58	54	2.6
-56	54	3.2
-54	54	2.7
-52	54	2
-50	54	2.3
-48	54	2.9
-46	54	2.8
-44	54	2.2
-42	54	2
-40	54	2.6
-38	54	3.4
-36	54	3.5
-34	54	3.1
-32	54	2.6
-30	54	2.9
-28	54	3.7
-26	54	4.6
-24	54	5
-22	54	4.8

-20	54	4.3
-18	54	3.7
-16	54	3.5
-14	54	3.8
-12	54	4.4
-10	54	4.9
-8	54	5.1
-6	54	5.1
-4	54	4.9
-2	54	4.7
0	54	4.6
2	54	4.7
4	54	4.9
6	54	5
8	54	4.8
10	54	4.1
12	54	2.7
14	54	0.6
16	54	-1.1
18	54	0.2
20	54	2.7
22	54	4.5
24	54	5
26	54	4.2
28	54	2.2
30	54	0.1
32	54	0.6
34	54	2.4
36	54	3
38	54	2.3
40	54	1.1
42	54	1.4
44	54	2.5
46	54	2.6
48	54	1.5
50	54	0.7
52	54	1.8
54	54	2.5
56	54	1.3
58	54	-1.5
60	54	-0.7
62	54	1.8
64	54	1.5
66	54	-2.8
68	54	-5.3
70	54	0.5
72	54	1.6
74	54	-2.2
76	54	-11.1
78	54	-0.3
80	54	2.2
82	54	-0.4
84	54	-19.3
86	54	-1.7
88	54	2.4
90	54	1.1
92	54	-7.6
94	54	-3.5
96	54	2
98	54	2
100	54	-3.1
102	54	-5.5
104	54	1
106	54	2.4
108	54	0.2
110	54	-3
112	54	0.4
114	54	2.8
116	54	2.7
118	54	1.2
120	54	1.1
122	54	2.6
124	54	3.2
126	54	2.6
128	54	1.7
130	54	2
132	54	2.8
134	54	2.9
136	54	2.4
138	54	2.1
140	54	2.7
142	54	3.4
144	54	3.6
146	54	3.1
148	54	2.6
150	54	2.9
152	54	3.8
154	54	4.7
156	54	5
158	54	4.8
160	54	4.2
162	54	3.5
164	54	3.3
166	54	3.7
168	54	4.3
170	54	4.8
172	54	5
174	54	5
176	54	4.9
178	54	4.7
180	54	4.7
-180	56	4.1
-178	56	3.8
-176	56	4.1
-174	56	4.8
-172	56	5.7
-170	56	6.3
-168	56	6.3
-166	56	5.5
-164	56	3.8
-162	56	1.6
-160	56	1.2
-158	56	3.2
-156	56	5.1
-154	56	5.7
-152	56	4.9
-150	56	3.1
-148	56	1.3
-146	56	1.9
-144	56	3.1
-142	56	3.2
-140	56	1.9
-138	56	0.9
-136	56	1.8
-134	56	2.6
-132	56	1.8
-130	56	0.2
-128	56	0.8
-126	56	2.6
-124	56	2.4
-122	56	-0.3
-120	56	-2.1
-118	56	1
-116	56	1.8
-114	56	-1.4
-112	56	-7.7
-110	56	-0.6
-108	56	1.7

-106	56	-1
-104	56	-11.8
-102	56	-1
-100	56	2.3
-98	56	0.1
-96	56	-15.6
-94	56	-2.1
-92	56	2.3
-90	56	1.1
-88	56	-7.2
-86	56	-2.9
-84	56	2
-82	56	1.4
-80	56	-4.5
-78	56	-3.3
-76	56	1.7
-74	56	2.1
-72	56	-1
-70	56	-2
-68	56	1.7
-66	56	3.1
-64	56	2
-62	56	0.5
-60	56	1.7
-58	56	3.1
-56	56	3.1
-54	56	2.2
-52	56	2
-50	56	2.9
-48	56	3.3
-46	56	2.9
-44	56	2.3
-42	56	2.7
-40	56	3.4
-38	56	3.7
-36	56	3.2
-34	56	2.6
-32	56	2.7
-30	56	3.5
-28	56	4.3
-26	56	4.4
-24	56	3.8
-22	56	2.9
-20	56	2.1
-18	56	2.3
-16	56	3.3
-14	56	4.5
-12	56	5.4
-10	56	6
-8	56	6.1
-6	56	5.8
-4	56	5.2
-2	56	4.6
0	56	4
2	56	3.8
4	56	4.1
6	56	4.9
8	56	5.7
10	56	6.2
12	56	6.2
14	56	5.4
16	56	3.7
18	56	1.6
20	56	1.3
22	56	3.2
24	56	5
26	56	5.6
28	56	4.9
30	56	3
32	56	1.2
34	56	1.6
36	56	2.9
38	56	3
40	56	1.9
42	56	0.9
44	56	1.7
46	56	2.4
48	56	1.8
50	56	0.3
52	56	0.9
54	56	2.5
56	56	2.4
58	56	-0.2
60	56	-2
62	56	0.9
64	56	1.8
66	56	-1.2
68	56	-7.1
70	56	-0.6
72	56	1.7
74	56	-1
76	56	-11.2
78	56	-1
80	56	2.2
82	56	-0.1
84	56	-16.8
86	56	-1.9
88	56	2.4
90	56	1
92	56	-7.5
94	56	-2.6
96	56	2.1
98	56	1.4
100	56	-4.5
102	56	-3.1
104	56	1.8
106	56	2.2
108	56	-1
110	56	-2
112	56	1.8
114	56	3.1
116	56	2.1
118	56	0.6
120	56	1.7
122	56	3
124	56	3
126	56	2
128	56	1.9
130	56	2.8
132	56	3.3
134	56	3
136	56	2.4
138	56	2.7
140	56	3.5
142	56	3.7
144	56	3.2
146	56	2.6
148	56	2.7
150	56	3.5
152	56	4.2
154	56	4.3
156	56	3.8
158	56	2.8
160	56	2.1
162	56	2.2
164	56	3.2
166	56	4.4
168	56	5.4

170	56	5.9
172	56	6
174	56	5.8
176	56	5.2
178	56	4.6
180	56	4.1
-180	58	4.6
-178	58	4.7
-176	58	4.6
-174	58	4.6
-172	58	5.1
-170	58	5.9
-168	58	6.6
-166	58	6.7
-164	58	6.1
-162	58	4.5
-160	58	2
-158	58	0.6
-156	58	2.3
-154	58	4.4
-152	58	5.1
-150	58	4.5
-148	58	2.8
-146	58	1.6
-144	58	2.4
-142	58	3.3
-140	58	2.9
-138	58	1.7
-136	58	1.7
-134	58	2.5
-132	58	2.3
-130	58	0.7
-128	58	0.3
-126	58	2.1
-124	58	2.7
-122	58	0.6
-120	58	-2
-118	58	0.8
-116	58	2.5
-114	58	0.5
-112	58	-6.2
-110	58	-1.6
-108	58	1.9
-106	58	0.1
-104	58	-9.8
-102	58	-2
-100	58	2
-98	58	0.3
-96	58	-13.6
-94	58	-2.5
-92	58	2
-90	58	0.5
-88	58	-9
-86	58	-2.2
-84	58	2
-82	58	0.7
-80	58	-5.9
-78	58	-1.5
-76	58	2.4
-74	58	1.9
-72	58	-1.9
-70	58	-1.1
-68	58	2.4
-66	58	2.9
-64	58	1.2
-62	58	0.3
-60	58	2.2
-58	58	3.2
-56	58	2.6
-54	58	1.6
-52	58	2
-50	58	2.9
-48	58	2.9
-46	58	2.4
-44	58	2.5
-42	58	3.3
-40	58	3.8
-38	58	3.6
-36	58	3.1
-34	58	3.2
-32	58	4.1
-30	58	4.9
-28	58	4.9
-26	58	4.2
-24	58	3.2
-22	58	2.7
-20	58	3.2
-18	58	4.1
-16	58	4.8
-14	58	5.2
-12	58	5.3
-10	58	5.2
-8	58	5
-6	58	4.8
-4	58	4.6
-2	58	4.5
0	58	4.5
2	58	4.5
4	58	4.4
6	58	4.5
8	58	5.1
10	58	5.9
12	58	6.5
14	58	6.7
16	58	6.1
18	58	4.5
20	58	2.1
22	58	0.6
24	58	2.2
26	58	4.2
28	58	5
30	58	4.5
32	58	2.8
34	58	1.5
36	58	2.3
38	58	3.2
40	58	3
42	58	1.9
44	58	1.7
46	58	2.5
48	58	2.4
50	58	0.8
52	58	0.2
54	58	2
56	58	2.7
58	58	0.7
60	58	-2
62	58	0.7
64	58	2.4
66	58	0.4
68	58	-6.4
70	58	-1.5
72	58	1.9
74	58	0.1
76	58	-9.4
78	58	-2
80	58	2
82	58	0.2

84	58	-14.2
86	58	-2.5
88	58	2
90	58	0.4
92	58	-9.3
94	58	-2
96	58	2.1
98	58	0.6
100	58	-6.1
102	58	-1.4
104	58	2.4
106	58	1.8
108	58	-2.2
110	58	-1
112	58	2.5
114	58	3
116	58	1.2
118	58	0.4
120	58	2.3
122	58	3.2
124	58	2.5
126	58	1.5
128	58	2
130	58	2.9
132	58	2.9
134	58	2.3
136	58	2.4
138	58	3.3
140	58	3.8
142	58	3.5
144	58	3.1
146	58	3.3
148	58	4.1
150	58	4.8
152	58	4.9
154	58	4.2
156	58	3.3
158	58	2.8
160	58	3.2
162	58	4.1
164	58	4.9
166	58	5.3
168	58	5.3
170	58	5.1
172	58	4.9
174	58	4.6
176	58	4.5
178	58	4.5
180	58	4.6
-180	60	4.5
-178	60	4.9
-176	60	4.8
-174	60	4.2
-172	60	3.6
-170	60	3.6
-168	60	4.4
-166	60	5.6
-164	60	6.4
-162	60	6.3
-160	60	5.2
-158	60	3
-156	60	1.1
-154	60	2.4
-152	60	4.4
-150	60	5.1
-148	60	4.3
-146	60	2.5
-144	60	1.6
-142	60	2.4
-140	60	2.8
-138	60	2.1
-136	60	1.4
-134	60	2.1
-132	60	2.7
-130	60	1.7
-128	60	0.5
-126	60	1.7
-124	60	2.8
-122	60	1.5
-120	60	-1.6
-118	60	-0.1
-116	60	2.4
-114	60	1.3
-112	60	-4.5
-110	60	-2.7
-108	60	1.6
-106	60	0.5
-104	60	-8.8
-102	60	-3
-100	60	1.9
-98	60	0.5
-96	60	-12.4
-94	60	-2.7
-92	60	2
-90	60	0.4
-88	60	-10.2
-86	60	-1.8
-84	60	2.1
-82	60	0.2
-80	60	-7.2
-78	60	-0.9
-76	60	2.6
-74	60	1.4
-72	60	-2.7
-70	60	-0.4
-68	60	2.7
-66	60	2.6
-64	60	0.6
-62	60	0.8
-60	60	2.6
-58	60	2.9
-56	60	1.9
-54	60	1.5
-52	60	2.4
-50	60	3
-48	60	2.5
-46	60	2.2
-44	60	3
-42	60	3.8
-40	60	3.8
-38	60	3.1
-36	60	2.9
-34	60	3.8
-32	60	4.8
-30	60	5
-28	60	4.4
-26	60	3.4
-24	60	3.1
-22	60	4
-20	60	5.2
-18	60	5.9
-16	60	5.9
-14	60	5.4
-12	60	4.5
-10	60	3.6
-8	60	3
-6	60	2.8
-4	60	3.2

-2	60	3.8
0	60	4.4
2	60	4.7
4	60	4.6
6	60	4.2
8	60	3.7
10	60	3.7
12	60	4.6
14	60	5.6
16	60	6.3
18	60	6.2
20	60	5.2
22	60	3
24	60	1.1
26	60	2.1
28	60	4.2
30	60	5
32	60	4.3
34	60	2.6
36	60	1.6
38	60	2.4
40	60	2.9
42	60	2.1
44	60	1.4
46	60	2.1
48	60	2.7
50	60	1.8
52	60	0.5
54	60	1.7
56	60	2.9
58	60	1.7
60	60	-1.4
62	60	-4.44E-15
64	60	2.4
66	60	1.3
68	60	-4.7
70	60	-2.6
72	60	1.7
74	60	0.6
76	60	-8.5
78	60	-2.9
80	60	1.9
82	60	0.4
84	60	-12.9
86	60	-2.6
88	60	2.1
90	60	0.4
92	60	-10.1
94	60	-1.8
96	60	2
98	60	1.15E-14
100	60	-7.6
102	60	-0.7
104	60	2.6
106	60	1.3
108	60	-2.9
110	60	-0.1
112	60	2.8
114	60	2.6
116	60	0.6
118	60	0.8
120	60	2.7
122	60	3
124	60	1.9
126	60	1.6
128	60	2.6
130	60	3.1
132	60	2.5
134	60	2.2
136	60	3
138	60	3.9
140	60	3.8
142	60	3.1
144	60	2.9
146	60	3.9
148	60	4.8
150	60	5
152	60	4.4
154	60	3.4
156	60	3.1
158	60	4
160	60	5.2
162	60	6
164	60	6
166	60	5.5
168	60	4.6
170	60	3.5
172	60	2.7
174	60	2.6
176	60	3
178	60	3.8
180	60	4.5
-180	62	3.8
-178	62	4
-176	62	4.1
-174	62	3.8
-172	62	3.1
-170	62	2.2
-168	62	1.7
-166	62	2.8
-164	62	4.6
-162	62	5.9
-160	62	6.3
-158	62	5.4
-156	62	3.4
-154	62	2
-152	62	3.3
-150	62	4.9
-148	62	5.2
-146	62	4.1
-144	62	2.5
-142	62	2.4
-140	62	3.1
-138	62	2.7
-136	62	1.6
-134	62	1.7
-132	62	2.6
-130	62	2.3
-128	62	0.5
-126	62	0.6
-124	62	2.4
-122	62	2.3
-120	62	-0.6
-118	62	-1.3
-116	62	1.7
-114	62	1.7
-112	62	-3.2
-110	62	-4.4
-108	62	1
-106	62	0.7
-104	62	-7.5
-102	62	-4.1
-100	62	1.8
-98	62	0.9
-96	62	-10.3
-94	62	-3.2
-92	62	2.1
-90	62	0.7

-88	62	-8.8
-86	62	-2
-84	62	1.9
-82	62	-0.1
-80	62	-7
-78	62	-0.7
-76	62	2.1
-74	62	0.4
-72	62	-3.4
-70	62	0.3
-68	62	2.6
-66	62	1.9
-64	62	0.2
-62	62	1.4
-60	62	3
-58	62	2.7
-56	62	1.7
-54	62	2.1
-52	62	3.1
-50	62	3.1
-48	62	2.2
-46	62	2
-44	62	2.9
-42	62	3.3
-40	62	2.8
-38	62	2.1
-36	62	2.7
-34	62	3.8
-32	62	4.2
-30	62	3.6
-28	62	2.3
-26	62	1.7
-24	62	2.9
-22	62	4.5
-20	62	5.6
-18	62	5.9
-16	62	5.6
-14	62	4.9
-12	62	4.1
-10	62	3.7
-8	62	3.7
-6	62	3.6
-4	62	3.6
-2	62	3.7
0	62	3.9
2	62	4.1
4	62	4.2
6	62	3.9
8	62	3.2
10	62	2.3
12	62	1.9
14	62	2.9
16	62	4.6
18	62	5.9
20	62	6.3
22	62	5.4
24	62	3.5
26	62	2
28	62	3.2
30	62	4.8
32	62	5.2
34	62	4.2
36	62	2.6
38	62	2.4
40	62	3.1
42	62	2.7
44	62	1.6
46	62	1.7
48	62	2.7
50	62	2.3
52	62	0.5
54	62	0.6
56	62	2.5
58	62	2.3
60	62	-0.4
62	62	-1.1
64	62	1.8
66	62	1.6
68	62	-3.4
70	62	-4.2
72	62	1.1
74	62	0.8
76	62	-7.2
78	62	-4.1
80	62	1.7
82	62	0.7
84	62	-10.9
86	62	-3
88	62	2.1
90	62	0.5
92	62	-9.5
94	62	-1.9
96	62	1.9
98	62	-0.2
100	62	-7.3
102	62	-0.7
104	62	2.1
106	62	0.3
108	62	-3.5
110	62	0.4
112	62	2.7
114	62	1.9
116	62	0.1
118	62	1.4
120	62	3
122	62	2.7
124	62	1.7
126	62	2.2
128	62	3.3
130	62	3.2
132	62	2.2
134	62	2
136	62	3
138	62	3.4
140	62	2.8
142	62	2.1
144	62	2.7
146	62	3.8
148	62	4.3
150	62	3.7
152	62	2.4
154	62	1.9
156	62	3
158	62	4.7
160	62	5.7
162	62	6.1
164	62	5.7
166	62	4.9
168	62	4.2
170	62	3.7
172	62	3.7
174	62	3.7
176	62	3.7
178	62	3.7
180	62	3.8
-180	64	4.1
-178	64	3.8
-176	64	3.9

-174	64	4.4
-172	64	4.6
-170	64	4.4
-168	64	3.5
-166	64	2.5
-164	64	2.8
-162	64	4.4
-160	64	5.8
-158	64	6
-156	64	5
-154	64	2.8
-152	64	1.6
-150	64	3.1
-148	64	4.4
-146	64	4.2
-144	64	2.9
-142	64	2.2
-140	64	2.9
-138	64	3.1
-136	64	2.3
-134	64	2
-132	64	2.9
-130	64	3
-128	64	1.2
-126	64	-0.2
-124	64	1.8
-122	64	2.5
-120	64	-5.11E-14
-118	64	-2.7
-116	64	0.9
-114	64	2
-112	64	-1.9
-110	64	-6.1
-108	64	0.6
-106	64	1.3
-104	64	-4.9
-102	64	-6.1
-100	64	1.3
-98	64	1
-96	64	-8.6
-94	64	-4.1
-92	64	1.7
-90	64	0.5
-88	64	-8.1
-86	64	-1.8
-84	64	1.7
-82	64	-0.5
-80	64	-5.8
-78	64	-0.1
-76	64	1.8
-74	64	-0.8
-72	64	-3.3
-70	64	1.1
-68	64	2.7
-66	64	1.3
-64	64	0.1
-62	64	2
-60	64	3
-58	64	2.2
-56	64	1.4
-54	64	2.4
-52	64	3.2
-50	64	2.7
-48	64	1.9
-46	64	2.4
-44	64	3.3
-42	64	3.3
-40	64	2.9
-38	64	3.1
-36	64	4.1
-34	64	4.7
-32	64	4.3
-30	64	3.2
-28	64	2.6
-26	64	3.5
-24	64	4.8
-22	64	5.6
-20	64	5.7
-18	64	5.2
-16	64	4.5
-14	64	4.2
-12	64	4.5
-10	64	5.1
-8	64	5.6
-6	64	5.7
-4	64	5.4
-2	64	4.8
0	64	4.2
2	64	4
4	64	4.2
6	64	4.5
8	64	4.7
10	64	4.4
12	64	3.4
14	64	2.5
16	64	2.8
18	64	4.4
20	64	5.8
22	64	6
24	64	5
26	64	2.8
28	64	1.6
30	64	3
32	64	4.3
34	64	4.2
36	64	2.9
38	64	2.2
40	64	2.8
42	64	3.1
44	64	2.3
46	64	2
48	64	2.9
50	64	3
52	64	1.2
54	64	-0.2
56	64	1.7
58	64	2.4
60	64	-0.1
62	64	-2.6
64	64	0.9
66	64	1.9
68	64	-2.1
70	64	-6.4
72	64	0.5
74	64	1.3
76	64	-4.8
78	64	-6
80	64	1.2
82	64	0.8
84	64	-9.1
86	64	-4
88	64	1.7
90	64	0.4
92	64	-8.6
94	64	-1.5
96	64	1.9
98	64	-0.4
100	64	-6.3

102	64	-0.3
104	64	1.8
106	64	-0.9
108	64	-3.4
110	64	1.1
112	64	2.7
114	64	1.3
116	64	0
118	64	1.9
120	64	2.9
122	64	2.2
124	64	1.4
126	64	2.4
128	64	3.3
130	64	2.8
132	64	2
134	64	2.4
136	64	3.2
138	64	3.3
140	64	2.8
142	64	3.1
144	64	4.1
146	64	4.7
148	64	4.3
150	64	3.2
152	64	2.5
154	64	3.4
156	64	4.7
158	64	5.6
160	64	5.7
162	64	5.3
164	64	4.7
166	64	4.3
168	64	4.5
170	64	5.1
172	64	5.6
174	64	5.7
176	64	5.4
178	64	4.8
180	64	4.1
-180	66	4.8
-178	66	4.3
-176	66	4.2
-174	66	4.7
-172	66	5.3
-170	66	5.6
-168	66	5.2
-166	66	3.9
-164	66	2.2
-162	66	2.3
-160	66	4.2
-158	66	5.6
-156	66	5.7
-154	66	4.3
-152	66	2.1
-150	66	1.6
-148	66	3.4
-146	66	4.1
-144	66	3.4
-142	66	2.1
-140	66	2.1
-138	66	2.6
-136	66	2.1
-134	66	1.4
-132	66	2.2
-130	66	2.9
-128	66	1.7
-126	66	8.88E-16
-124	66	1.5
-122	66	2.7
-120	66	0.8
-118	66	-3
-116	66	0.3
-114	66	2.1
-112	66	-0.9
-110	66	-7.3
-108	66	0.2
-106	66	1.8
-104	66	-2.9
-102	66	-8.6
-100	66	0.6
-98	66	0.8
-96	66	-8
-94	66	-4.7
-92	66	1.4
-90	66	-1.78E-15
-88	66	-8.4
-86	66	-1.2
-84	66	1.8
-82	66	-1
-80	66	-5.3
-78	66	0.6
-76	66	2
-74	66	-1.1
-72	66	-2.5
-70	66	1.8
-68	66	2.7
-66	66	0.9
-64	66	0.2
-62	66	2.2
-60	66	2.8
-58	66	1.8
-56	66	1.7
-54	66	2.9
-52	66	3.2
-50	66	2.5
-48	66	2.5
-46	66	3.5
-44	66	3.9
-42	66	3.4
-40	66	3.1
-38	66	4.1
-36	66	5.1
-34	66	5.2
-32	66	4.2
-30	66	3.2
-28	66	3.8
-26	66	5.2
-24	66	6.1
-22	66	6.1
-20	66	5.3
-18	66	4.2
-16	66	3.6
-14	66	3.9
-12	66	4.7
-10	66	5.4
-8	66	5.8
-6	66	5.9
-4	66	5.7
-2	66	5.3
0	66	4.8
2	66	4.3
4	66	4.3
6	66	4.8
8	66	5.4
10	66	5.7
12	66	5.2
14	66	3.7

16	66	2.1
18	66	2.3
20	66	4.2
22	66	5.6
24	66	5.6
26	66	4.3
28	66	2.2
30	66	1.8
32	66	3.3
34	66	4.1
36	66	3.4
38	66	2.1
40	66	2
42	66	2.5
44	66	2
46	66	1.3
48	66	2.1
50	66	2.8
52	66	1.6
54	66	-0.1
56	66	1.3
58	66	2.5
60	66	0.6
62	66	-3.2
64	66	0.2
66	66	2
68	66	-0.9
70	66	-7.3
72	66	0.1
74	66	1.7
76	66	-3.1
78	66	-8.2
80	66	0.7
82	66	0.9
84	66	-7.9
86	66	-4.7
88	66	1.4
90	66	0.1
92	66	-8.5
94	66	-1.2
96	66	1.9
98	66	-0.9
100	66	-5.6
102	66	0.6
104	66	2
106	66	-1.1
108	66	-2.5
110	66	1.7
112	66	2.7
114	66	0.8
116	66	0.1
118	66	2.2
120	66	2.8
122	66	1.8
124	66	1.7
126	66	2.8
128	66	3.2
130	66	2.6
132	66	2.6
134	66	3.4
136	66	3.9
138	66	3.4
140	66	3.2
142	66	4.1
144	66	5.2
146	66	5.2
148	66	4.3
150	66	3.2
152	66	3.8
154	66	5.2
156	66	6
158	66	6
160	66	5.2
162	66	4.1
164	66	3.6
166	66	3.9
168	66	4.8
170	66	5.5
172	66	5.9
174	66	5.9
176	66	5.7
178	66	5.3
180	66	4.8
-180	68	5.8
-178	68	5.8
-176	68	5.5
-174	68	5.4
-172	68	5.6
-170	68	6.1
-168	68	6.2
-166	68	5.5
-164	68	3.9
-162	68	2
-160	68	2.3
-158	68	4.5
-156	68	5.7
-154	68	5.5
-152	68	3.8
-150	68	2.1
-148	68	2.9
-146	68	4.3
-144	68	4.2
-142	68	3
-140	68	2.4
-138	68	2.9
-136	68	2.7
-134	68	1.5
-132	68	1.4
-130	68	2.5
-128	68	2
-126	68	-4.4E+36
-124	68	0.7
-122	68	2.4
-120	68	1.4
-118	68	-2.2
-116	68	-0.2
-114	68	2.1
-112	68	-9.33E+14
-110	68	-7.3
-108	68	-0.6
-106	68	1.8
-104	68	-2.3
-102	68	-10.4
-100	68	0.3
-98	68	1
-96	68	-7.2
-94	68	-5
-92	68	1.5
-90	68	0.2
-88	68	-9.1
-86	68	-1.2
-84	68	1.8
-82	68	-1.2
-80	68	-5.7
-78	68	0.8
-76	68	1.9
-74	68	-1.3
-72	68	-1.7

-70	68	2.1
-68	68	2.6
-66	68	0.8
-64	68	1.1
-62	68	2.9
-60	68	3
-58	68	2
-56	68	2.2
-54	68	3.1
-52	68	2.8
-50	68	2
-48	68	2.4
-46	68	3.3
-44	68	3.2
-42	68	2.4
-40	68	2.6
-38	68	4.1
-36	68	5
-34	68	4.5
-32	68	3.3
-30	68	3.1
-28	68	4.7
-26	68	6.1
-24	68	6.6
-22	68	6.1
-20	68	5
-18	68	4.3
-16	68	4.5
-14	68	5.2
-12	68	5.6
-10	68	5.6
-8	68	5.5
-6	68	5.4
-4	68	5.5
-2	68	5.7
0	68	5.8
2	68	5.8
4	68	5.5
6	68	5.4
8	68	5.7
10	68	6.2
12	68	6.3
14	68	5.5
16	68	3.8
18	68	1.9
20	68	2.3
22	68	4.4
24	68	5.6
26	68	5.3
28	68	3.8
30	68	2.2
32	68	2.9
34	68	4.2
36	68	4.1
38	68	3.1
40	68	2.5
42	68	2.9
44	68	2.6
46	68	1.5
48	68	1.5
50	68	2.3
52	68	1.8
54	68	-0.1
56	68	0.7
58	68	2.4
60	68	1.3
62	68	-2.2
64	68	-0.3
66	68	2
68	68	-0.2
70	68	-7.5
72	68	-0.7
74	68	1.6
76	68	-2.5
78	68	-10.1
80	68	0.4
82	68	1
84	68	-7.2
86	68	-5
88	68	1.4
90	68	0.1
92	68	-9
94	68	-1.1
96	68	1.8
98	68	-1.3
100	68	-5.5
102	68	0.8
104	68	2
106	68	-1.2
108	68	-1.7
110	68	2.1
112	68	2.6
114	68	0.7
116	68	1
118	68	2.9
120	68	2.9
122	68	1.9
124	68	2.1
126	68	3.2
128	68	2.9
130	68	2
132	68	2.3
134	68	3.3
136	68	3.3
138	68	2.4
140	68	2.6
142	68	4
144	68	4.9
146	68	4.5
148	68	3.2
150	68	3.1
152	68	4.7
154	68	6.1
156	68	6.6
158	68	6
160	68	4.9
162	68	4.2
164	68	4.5
166	68	5.2
168	68	5.6
170	68	5.7
172	68	5.5
174	68	5.4
176	68	5.4
178	68	5.6
180	68	5.8
-180	70	5.8
-178	70	6
-176	70	5.7
-174	70	5.2
-172	70	4.9
-170	70	5.3
-168	70	5.9
-166	70	6.2
-164	70	5.7
-162	70	4.2
-160	70	2.7
-158	70	3.5

-156	70	5.3
-154	70	6.1
-152	70	5.3
-150	70	3.5
-148	70	2.8
-146	70	3.8
-144	70	4.1
-142	70	3.2
-140	70	2.4
-138	70	2.9
-136	70	3.1
-134	70	2.1
-132	70	1.7
-130	70	2.9
-128	70	2.9
-126	70	0.9
-124	70	0.1
-122	70	2.1
-120	70	1.9
-118	70	-1.6
-116	70	-1.6
-114	70	1.5
-112	70	0.3
-110	70	-6.7
-108	70	-1.6
-106	70	1.5
-104	70	-1.9
-102	70	-11.7
-100	70	0.2
-98	70	1.3
-96	70	-6.2
-94	70	-5.3
-92	70	1.6
-90	70	0.6
-88	70	-8.4
-86	70	-1.5
-84	70	1.7
-82	70	-1.2
-80	70	-5.7
-78	70	0.4
-76	70	1.4
-74	70	-1.7
-72	70	-1.1
-70	70	2.2
-68	70	2.2
-66	70	0.4
-64	70	1.5
-62	70	3.1
-60	70	2.7
-58	70	1.5
-56	70	2.2
-54	70	3.1
-52	70	2.7
-50	70	1.8
-48	70	2.4
-46	70	3.2
-44	70	3
-42	70	2.5
-40	70	3.3
-38	70	4.4
-36	70	4.6
-34	70	3.7
-32	70	2.7
-30	70	3.5
-28	70	5
-26	70	5.9
-24	70	5.8
-22	70	4.9
-20	70	4.1
-18	70	4.3
-16	70	5.2
-14	70	5.8
-12	70	5.8
-10	70	5.2
-8	70	4.5
-6	70	4.2
-4	70	4.4
-2	70	5.1
0	70	5.7
2	70	6
4	70	5.8
6	70	5.3
8	70	5
10	70	5.4
12	70	6
14	70	6.2
16	70	5.6
18	70	4.1
20	70	2.7
22	70	3.5
24	70	5.3
26	70	6
28	70	5.3
30	70	3.6
32	70	2.9
34	70	3.6
36	70	3.9
38	70	3.1
40	70	2.4
42	70	2.8
44	70	3
46	70	2.1
48	70	1.9
50	70	2.9
52	70	2.8
54	70	1
56	70	0.4
58	70	2.2
60	70	1.9
62	70	-1.6
64	70	-1.3
66	70	1.7
68	70	0.4
70	70	-6.5
72	70	-1.8
74	70	1.3
76	70	-2.2
78	70	-11.4
80	70	0.1
82	70	1.1
84	70	-6.4
86	70	-5.4
88	70	1.5
90	70	0.4
92	70	-8.5
94	70	-1.6
96	70	1.6
98	70	-1.4
100	70	-5.4
102	70	0.5
104	70	1.4
106	70	-1.8
108	70	-1.1
110	70	2.2
112	70	2.2
114	70	0.5
116	70	1.4
118	70	3

120	70	2.6
122	70	1.5
124	70	2.3
126	70	3.2
128	70	2.7
130	70	1.8
132	70	2.4
134	70	3.3
136	70	3.1
138	70	2.5
140	70	3.2
142	70	4.4
144	70	4.6
146	70	3.6
148	70	2.6
150	70	3.5
152	70	5.1
154	70	6
156	70	5.9
158	70	5
160	70	4.2
162	70	4.4
164	70	5.4
166	70	5.9
168	70	5.9
170	70	5.3
172	70	4.5
174	70	4.1
176	70	4.4
178	70	5.1
180	70	5.8
-180	72	5.4
-178	72	5.8
-176	72	5.7
-174	72	5
-172	72	4.3
-170	72	4.2
-168	72	5
-166	72	6
-164	72	6.4
-162	72	5.7
-160	72	3.8
-158	72	2.4
-156	72	3.9
-154	72	5.5
-152	72	5.6
-150	72	4.3
-148	72	2.8
-146	72	3
-144	72	3.7
-142	72	3.2
-140	72	2.2
-138	72	2.4
-136	72	2.8
-134	72	2
-132	72	1.2
-130	72	2.3
-128	72	2.9
-126	72	1.3
-124	72	-4.44E-16
-122	72	2
-120	72	2.4
-118	72	-1
-116	72	-2.9
-114	72	1.2
-112	72	0.9
-110	72	-6
-108	72	-3
-106	72	1.4
-104	72	-1
-102	72	-12.2
-100	72	-0.3
-98	72	1.5
-96	72	-4.7
-94	72	-7.2
-92	72	1.1
-90	72	0.5
-88	72	-7.2
-86	72	-1.8
-84	72	1.4
-82	72	-1.4
-80	72	-4.7
-78	72	0.4
-76	72	0.9
-74	72	-2.3
-72	72	-0.9
-70	72	2
-68	72	1.5
-66	72	-0.1
-64	72	1.5
-62	72	2.9
-60	72	2.4
-58	72	1.6
-56	72	2.6
-54	72	3.4
-52	72	2.9
-50	72	2.5
-48	72	3.1
-46	72	3.5
-44	72	3.1
-42	72	3
-40	72	4
-38	72	4.7
-36	72	4.3
-34	72	3
-32	72	2.8
-30	72	4.2
-28	72	5.3
-26	72	5.4
-24	72	4.6
-22	72	3.7
-20	72	3.7
-18	72	4.7
-16	72	5.8
-14	72	6.2
-12	72	5.9
-10	72	5.2
-8	72	4.4
-6	72	4.1
-4	72	4.3
-2	72	4.9
0	72	5.5
2	72	5.9
4	72	5.7
6	72	5
8	72	4.2
10	72	4.2
12	72	5
14	72	6.1
16	72	6.4
18	72	5.7
20	72	3.9
22	72	2.6
24	72	3.9
26	72	5.4
28	72	5.5
30	72	4.3
32	72	2.9

34	72	3
36	72	3.5
38	72	3.1
40	72	2.3
42	72	2.5
44	72	2.7
46	72	2
48	72	1.4
50	72	2.4
52	72	2.9
54	72	1.4
56	72	0.3
58	72	2.1
60	72	2.4
62	72	-0.9
64	72	-2.7
66	72	1.1
68	72	0.8
70	72	-5.8
72	72	-2.9
74	72	1.3
76	72	-1.1
78	72	-1.2
80	72	-0.5
82	72	1.3
84	72	-4.9
86	72	-7.4
88	72	0.9
90	72	0.3
92	72	-7.9
94	72	-1.8
96	72	1.3
98	72	-1.6
100	72	-4.8
102	72	0.5
104	72	1
106	72	-2.5
108	72	-1.1
110	72	2
112	72	1.5
114	72	-0.2
116	72	1.3
118	72	2.8
120	72	2.4
122	72	1.6
124	72	2.6
126	72	3.4
128	72	3
130	72	2.5
132	72	3.1
134	72	3.5
136	72	3
138	72	3
140	72	4
142	72	4.7
144	72	4.2
146	72	2.8
148	72	2.7
150	72	4.2
152	72	5.4
154	72	5.6
156	72	4.7
158	72	3.7
160	72	3.7
162	72	4.8
164	72	5.8
166	72	6.2
168	72	5.9
170	72	5.2
172	72	4.4
174	72	4.1
176	72	4.2
178	72	4.8
180	72	5.4
-180	74	5.1
-178	74	5.4
-176	74	5.5
-174	74	5.2
-172	74	4.5
-170	74	4
-168	74	4.4
-166	74	5.7
-164	74	6.7
-162	74	6.7
-160	74	5.2
-158	74	2.8
-156	74	2.5
-154	74	4.4
-152	74	5.2
-150	74	4.4
-148	74	2.6
-146	74	2.1
-144	74	3.1
-142	74	3.2
-140	74	2.4
-138	74	2.2
-136	74	2.9
-134	74	2.5
-132	74	1.3
-130	74	1.7
-128	74	2.5
-126	74	1.2
-124	74	-0.7
-122	74	1.2
-120	74	2.2
-118	74	-0.6
-116	74	-3.3
-114	74	1.2
-112	74	1.6
-110	74	-4.1
-108	74	-4.2
-106	74	1.2
-104	74	-0.4
-102	74	-12.7
-100	74	-1.2
-98	74	1.2
-96	74	-4.3
-94	74	-8.5
-92	74	0.7
-90	74	0.2
-88	74	-7.4
-86	74	-1.7
-84	74	1.2
-82	74	-1.7
-80	74	-4
-78	74	0.8
-76	74	1
-74	74	-2.2
-72	74	-0.5
-70	74	2.1
-68	74	1.6
-66	74	0.4
-64	74	1.8
-62	74	2.9
-60	74	2.2
-58	74	1.7
-56	74	2.6
-54	74	3

-52	74	2.5
-50	74	2.4
-48	74	3.1
-46	74	3.1
-44	74	2.6
-42	74	3.1
-40	74	4.4
-38	74	4.9
-36	74	4.1
-34	74	2.9
-32	74	3.7
-30	74	5.3
-28	74	6.1
-26	74	5.7
-24	74	4.4
-22	74	3.5
-20	74	4
-18	74	5.2
-16	74	6
-14	74	6.2
-12	74	5.8
-10	74	5.3
-8	74	5.1
-6	74	5
-4	74	4.9
-2	74	4.9
0	74	5.2
2	74	5.4
4	74	5.4
6	74	5.1
8	74	4.4
10	74	3.9
12	74	4.5
14	74	5.8
16	74	6.8
18	74	6.6
20	74	5.2
22	74	2.9
24	74	2.7
26	74	4.4
28	74	5.2
30	74	4.4
32	74	2.7
34	74	2.2
36	74	3
38	74	3.1
40	74	2.4
42	74	2.3
44	74	2.8
46	74	2.4
48	74	1.3
50	74	1.7
52	74	2.4
54	74	1.2
56	74	-0.5
58	74	1.2
60	74	2.1
62	74	-0.6
64	74	-3.1
66	74	1.2
68	74	1.6
70	74	-4.2
72	74	-3.9
74	74	1.4
76	74	-0.1
78	74	-11.7
80	74	-1.3
82	74	1.2
84	74	-4.1
86	74	-8.8
88	74	0.6
90	74	0.2
92	74	-7.6
94	74	-1.8
96	74	1.2
98	74	-1.9
100	74	-4.3
102	74	0.8
104	74	1.1
106	74	-2.4
108	74	-0.8
110	74	2.1
112	74	1.6
114	74	0.2
116	74	1.7
118	74	2.9
120	74	2.3
122	74	1.8
124	74	2.7
126	74	3.1
128	74	2.6
130	74	2.6
132	74	3.2
134	74	3.2
136	74	2.6
138	74	3.1
140	74	4.5
142	74	5
144	74	4.1
146	74	2.9
148	74	3.7
150	74	5.4
152	74	6.1
154	74	5.7
156	74	4.4
158	74	3.6
160	74	4.2
162	74	5.3
164	74	6
166	74	6.2
168	74	5.8
170	74	5.3
172	74	5
174	74	4.9
176	74	4.9
178	74	4.9
180	74	5.1
-180	76	4.6
-178	76	4.7
-176	76	5
-174	76	5.3
-172	76	5.1
-170	76	4.5
-168	76	4.2
-166	76	5.2
-164	76	6.4
-162	76	6.8
-160	76	5.9
-158	76	3.7
-156	76	2.2
-154	76	3.5
-152	76	4.9
-150	76	4.8
-148	76	3.4
-146	76	2.3
-144	76	3
-142	76	3.3
-140	76	2.6

-138	76	2
-136	76	2.6
-134	76	2.6
-132	76	1.5
-130	76	1.6
-128	76	2.7
-126	76	2.1
-124	76	4.44E-16
-122	76	0.9
-120	76	2.2
-118	76	0.1
-116	76	-3.2
-114	76	0.7
-112	76	1.7
-110	76	-3.1
-108	76	-4.4
-106	76	1.3
-104	76	0.1
-102	76	-12.3
-100	76	-1.8
-98	76	1.2
-96	76	-3.9
-94	76	-8.7
-92	76	0.7
-90	76	0.2
-88	76	-8.1
-86	76	-1.6
-84	76	1.3
-82	76	-1.9
-80	76	-4.4
-78	76	0.9
-76	76	1.2
-74	76	-1.8
-72	76	0.1
-70	76	2.4
-68	76	1.9
-66	76	0.8
-64	76	2.1
-62	76	2.6
-60	76	1.7
-58	76	1.6
-56	76	2.6
-54	76	2.5
-52	76	1.7
-50	76	2
-48	76	3
-46	76	3
-44	76	2.5
-42	76	3.2
-40	76	4.5
-38	76	4.8
-36	76	3.8
-34	76	3.1
-32	76	4.4
-30	76	6
-28	76	6.5
-26	76	5.7
-24	76	4.4
-22	76	4
-20	76	4.9
-18	76	5.7
-16	76	5.9
-14	76	5.6
-12	76	5.3
-10	76	5.2
-8	76	5.6
-6	76	5.9
-4	76	5.7
-2	76	5.1
0	76	4.7
2	76	4.6
4	76	5
6	76	5.2
8	76	5
10	76	4.5
12	76	4.3
14	76	5.2
16	76	6.4
18	76	6.8
20	76	5.9
22	76	3.8
24	76	2.4
26	76	3.6
28	76	4.9
30	76	4.8
32	76	3.4
34	76	2.4
36	76	3
38	76	3.3
40	76	2.6
42	76	2.1
44	76	2.6
46	76	2.6
48	76	1.4
50	76	1.5
52	76	2.6
54	76	2.1
56	76	-4.44E-16
58	76	0.8
60	76	2.1
62	76	-4.44E-16
64	76	-3.5
66	76	0.7
68	76	1.7
70	76	-3.2
72	76	-4.6
74	76	1.3
76	76	0.2
78	76	-11.4
80	76	-1.7
82	76	1.3
84	76	-3.7
86	76	-9
88	76	0.7
90	76	0.3
92	76	-8.4
94	76	-1.9
96	76	1.2
98	76	-2
100	76	-4.5
102	76	0.9
104	76	1.2
106	76	-1.8
108	76	-4.88E-15
110	76	2.5
112	76	1.9
114	76	0.8
116	76	2
118	76	2.6
120	76	1.8
122	76	1.6
124	76	2.5
126	76	2.6
128	76	2
130	76	2.3
132	76	3.1
134	76	3
136	76	2.4

138	76	3.3
140	76	4.6
142	76	4.9
144	76	3.8
146	76	3
148	76	4.4
150	76	6
152	76	6.5
154	76	5.7
156	76	4.4
158	76	4.1
160	76	5
162	76	5.7
164	76	5.8
166	76	5.6
168	76	5.3
170	76	5.3
172	76	5.6
174	76	5.9
176	76	5.7
178	76	5.1
180	76	4.6
-180	78	4.8
-178	78	4.4
-176	78	4.9
-174	78	5.6
-172	78	6
-170	78	5.7
-168	78	5
-166	78	5
-164	78	5.9
-162	78	6.7
-160	78	6.4
-158	78	4.8
-156	78	2.5
-154	78	2.5
-152	78	4.2
-150	78	4.9
-148	78	4
-146	78	2.8
-144	78	2.9
-142	78	3.3
-140	78	2.9
-138	78	2.3
-136	78	2.7
-134	78	2.8
-132	78	1.7
-130	78	1.4
-128	78	2.8
-126	78	2.7
-124	78	0.7
-122	78	1.1
-120	78	2.8
-118	78	1.5
-116	78	-2.5
-114	78	4.44E-16
-112	78	1.7
-110	78	-2.3
-108	78	-5.8
-106	78	0.7
-104	78	0.1
-102	78	-10.8
-100	78	-1.9
-98	78	1.4
-96	78	-3.5
-94	78	-9.2
-92	78	0.9
-90	78	0.7
-88	78	-7.8
-86	78	-1.9
-84	78	1.5
-82	78	-1.7
-80	78	-4.9
-78	78	0.6
-76	78	1
-74	78	-1.9
-72	78	-4.44E-16
-70	78	2.2
-68	78	1.4
-66	78	0.6
-64	78	2.2
-62	78	2.7
-60	78	1.8
-58	78	1.9
-56	78	2.9
-54	78	2.8
-52	78	1.9
-50	78	2.3
-48	78	3
-46	78	2.8
-44	78	2.4
-42	78	3.4
-40	78	4.4
-38	78	4.3
-36	78	3.2
-34	78	3.1
-32	78	4.8
-30	78	6.2
-28	78	6.5
-26	78	5.6
-24	78	4.7
-22	78	5
-20	78	5.9
-18	78	6.3
-16	78	6
-14	78	5.3
-12	78	4.9
-10	78	5.2
-8	78	5.9
-6	78	6.4
-4	78	6.4
-2	78	5.7
0	78	4.8
2	78	4.4
4	78	4.9
6	78	5.6
8	78	6
10	78	5.6
12	78	4.9
14	78	4.9
16	78	5.9
18	78	6.7
20	78	6.4
22	78	4.8
24	78	2.6
26	78	2.6
28	78	4.2
30	78	4.8
32	78	4.1
34	78	2.9
36	78	3
38	78	3.4
40	78	3
42	78	2.4
44	78	2.8
46	78	2.9
48	78	1.8
50	78	1.5

52	78	2.7
54	78	2.7
56	78	0.8
58	78	1.2
60	78	2.8
62	78	1.5
64	78	-2.4
66	78	0
68	78	1.6
70	78	-2.3
72	78	-6.1
74	78	0.5
76	78	-0.1
78	78	-1.1
80	78	-1.7
82	78	1.4
84	78	-3.4
86	78	-9.4
88	78	0.8
90	78	0.6
92	78	-8
94	78	-1.7
96	78	1.5
98	78	-1.7
100	78	-4.9
102	78	0.6
104	78	1
106	78	-1.8
108	78	0.1
110	78	2.2
112	78	1.5
114	78	0.6
116	78	2.1
118	78	2.7
120	78	1.8
122	78	1.9
124	78	2.9
126	78	2.9
128	78	2.1
130	78	2.3
132	78	3
134	78	2.8
136	78	2.5
138	78	3.3
140	78	4.4
142	78	4.2
144	78	3.1
146	78	3.1
148	78	4.8
150	78	6.2
152	78	6.4
154	78	5.6
156	78	4.8
158	78	5.2
160	78	6.1
162	78	6.4
164	78	6
166	78	5.2
168	78	4.9
170	78	5.2
172	78	6
174	78	6.5
176	78	6.4
178	78	5.7
180	78	4.8
-180	80	4.7
-178	80	4.1
-176	80	4.4
-174	80	5.3
-172	80	6
-170	80	6
-168	80	5.2
-166	80	4.5
-164	80	5.1
-162	80	6.2
-160	80	6.5
-158	80	5.6
-156	80	3.5
-154	80	2.3
-152	80	3.7
-150	80	5
-148	80	4.7
-146	80	3.3
-144	80	2.7
-142	80	3.1
-140	80	3
-138	80	2.4
-136	80	2.7
-134	80	3.1
-132	80	2.3
-130	80	1.8
-128	80	2.8
-126	80	2.9
-124	80	0.8
-122	80	0.5
-120	80	2.6
-118	80	1.8
-116	80	-2.5
-114	80	-0.5
-112	80	1.8
-110	80	-1.2
-108	80	-6.5
-106	80	0.4
-104	80	0.5
-102	80	-8.3
-100	80	-2.6
-98	80	1.3
-96	80	-2.9
-94	80	-1.1
-92	80	0.7
-90	80	0.8
-88	80	-7.2
-86	80	-2.1
-84	80	1.4
-82	80	-1.5
-80	80	-4.7
-78	80	0.5
-76	80	0.7
-74	80	-2.6
-72	80	-0.4
-70	80	2
-68	80	1.3
-66	80	0.6
-64	80	2.3
-62	80	3
-60	80	2.2
-58	80	2.3
-56	80	3.2
-54	80	3.1
-52	80	2.5
-50	80	2.7
-48	80	3.1
-46	80	2.7
-44	80	2.8
-42	80	3.9
-40	80	4.5
-38	80	3.9
-36	80	2.7

-34	80	3.2
-32	80	4.9
-30	80	6
-28	80	5.9
-26	80	5
-24	80	4.5
-22	80	5.3
-20	80	6.3
-18	80	6.5
-16	80	5.8
-14	80	4.8
-12	80	4.4
-10	80	4.8
-8	80	5.7
-6	80	6.3
-4	80	6.3
-2	80	5.7
0	80	4.7
2	80	4.1
4	80	4.4
6	80	5.3
8	80	6
10	80	6
12	80	5.1
14	80	4.4
16	80	5.1
18	80	6.2
20	80	6.6
22	80	5.7
24	80	3.7
26	80	2.5
28	80	3.7
30	80	4.9
32	80	4.6
34	80	3.3
36	80	2.7
38	80	3.2
40	80	3
42	80	2.5
44	80	2.8
46	80	3
48	80	2.3
50	80	1.8
52	80	2.8
54	80	2.8
56	80	0.9
58	80	0.7
60	80	2.6
62	80	1.7
64	80	-2.2
66	80	-0.4
68	80	1.8
70	80	-1.2
72	80	-6.3
74	80	0.3
76	80	0.4
78	80	-8.6
80	80	-2.5
82	80	1.3
84	80	-2.8
86	80	-11.3
88	80	0.5
90	80	0.7
92	80	-6.9
94	80	-1.9
96	80	1.4
98	80	-1.5
100	80	-4.6
102	80	0.5
104	80	0.6
106	80	-2.7
108	80	-0.2
110	80	2.1
112	80	1.3
114	80	0.5
116	80	2.2
118	80	2.9
120	80	2.2
122	80	2.2
124	80	3.1
126	80	3
128	80	2.5
130	80	2.7
132	80	3.1
134	80	2.8
136	80	2.8
138	80	3.8
140	80	4.5
142	80	3.8
144	80	2.6
146	80	3.1
148	80	5
150	80	6
152	80	5.9
154	80	4.9
156	80	4.5
158	80	5.4
160	80	6.4
162	80	6.5
164	80	5.8
166	80	4.8
168	80	4.4
170	80	4.8
172	80	5.7
174	80	6.4
176	80	6.4
178	80	5.7
180	80	4.7
-180	82	5.2
-178	82	4.5
-176	82	4.5
-174	82	5.3
-172	82	6
-170	82	6.2
-168	82	5.4
-166	82	4.1
-164	82	4
-162	82	5.1
-160	82	6
-158	82	5.6
-156	82	3.9
-154	82	2.2
-152	82	3.2
-150	82	4.8
-148	82	4.8
-146	82	3.7
-144	82	2.9
-142	82	3.4
-140	82	3.3
-138	82	2.6
-136	82	2.6
-134	82	3.1
-132	82	2.5
-130	82	1.6
-128	82	2.3
-126	82	2.7
-124	82	0.9
-122	82	0.1

-120	82	2
-118	82	1.5
-116	82	-3
-114	82	-1.1
-112	82	1.7
-110	82	-1
-108	82	-7
-106	82	0.5
-104	82	1.2
-102	82	-6.2
-100	82	-3.8
-98	82	1.2
-96	82	-2
-94	82	-15.3
-92	82	-0.1
-90	82	0.5
-88	82	-7
-86	82	-2.5
-84	82	1.2
-82	82	-1.6
-80	82	-4.4
-78	82	0.8
-76	82	1
-74	82	-2.2
-72	82	-4.44E-16
-70	82	2.3
-68	82	1.6
-66	82	0.5
-64	82	1.9
-62	82	2.6
-60	82	2.1
-58	82	2.3
-56	82	3
-54	82	2.9
-52	82	2.8
-50	82	3.3
-48	82	3.6
-46	82	3
-44	82	3
-42	82	4.2
-40	82	4.6
-38	82	3.6
-36	82	2.2
-34	82	3
-32	82	4.8
-30	82	5.7
-28	82	5.3
-26	82	4.2
-24	82	4.1
-22	82	5.4
-20	82	6.5
-18	82	6.6
-16	82	6
-14	82	5
-12	82	4.6
-10	82	5
-8	82	5.8
-6	82	6.4
-4	82	6.5
-2	82	6
0	82	5.2
2	82	4.5
4	82	4.5
6	82	5.2
8	82	6
10	82	6
12	82	5.2
14	82	4
16	82	3.9
18	82	5.2
20	82	6
22	82	5.7
24	82	4
26	82	2.4
28	82	3.3
30	82	4.7
32	82	4.8
34	82	3.7
36	82	3
38	82	3.4
40	82	3.4
42	82	2.7
44	82	2.6
46	82	3
48	82	2.3
50	82	1.5
52	82	2.2
54	82	2.6
56	82	0.9
58	82	0.2
60	82	2
62	82	1.4
64	82	-2.8
66	82	-1.1
68	82	1.7
70	82	-1
72	82	-6.5
74	82	0.4
76	82	1.1
78	82	-6.5
80	82	-3.6
82	82	1.1
84	82	-2.2
86	82	-14.4
88	82	-0.1
90	82	0.4
92	82	-7
94	82	-2.2
96	82	1.3
98	82	-1.6
100	82	-4.3
102	82	0.7
104	82	0.9
106	82	-2.2
108	82	0.1
110	82	2.2
112	82	1.3
114	82	0.3
116	82	2
118	82	2.7
120	82	2.1
122	82	2.3
124	82	3
126	82	3
128	82	2.8
130	82	3.4
132	82	3.6
134	82	3
136	82	3.1
138	82	4.2
140	82	4.6
142	82	3.6
144	82	2.2
146	82	3
148	82	4.9
150	82	5.7
152	82	5.3
154	82	4.3

156	82	4.2
158	82	5.4
160	82	6.5
162	82	6.6
164	82	5.9
166	82	5
168	82	4.6
170	82	5
172	82	5.8
174	82	6.4
176	82	6.4
178	82	6
180	82	5.2
-180	84	5.5
-178	84	5
-176	84	4.8
-174	84	5.3
-172	84	6.1
-170	84	6.3
-168	84	5.7
-166	84	4.3
-164	84	3.7
-162	84	4.6
-160	84	5.7
-158	84	5.8
-156	84	4.5
-154	84	2.6
-152	84	2.9
-150	84	4.4
-148	84	4.7
-146	84	3.7
-144	84	3
-142	84	3.4
-140	84	3.3
-138	84	2.6
-136	84	2.6
-134	84	3.2
-132	84	2.6
-130	84	1.2
-128	84	1.7
-126	84	2.4
-124	84	0.9
-122	84	-0.4
-120	84	1.6
-118	84	1.6
-116	84	-2.1
-114	84	-1.5
-112	84	1.5
-110	84	-0.7
-108	84	-7.2
-106	84	-0.1
-104	84	0.9
-102	84	-6.3
-100	84	-4.5
-98	84	1
-96	84	-1.8
-94	84	-16.7
-92	84	-0.4
-90	84	0.4
-88	84	-7.2
-86	84	-2.7
-84	84	1.2
-82	84	-1.5
-80	84	-4.5
-78	84	0.9
-76	84	1.4
-74	84	-1.6
-72	84	0
-70	84	2.2
-68	84	1.5
-66	84	0.6
-64	84	2.1
-62	84	2.6
-60	84	2
-58	84	2.3
-56	84	3.1
-54	84	2.9
-52	84	2.7
-50	84	3.4
-48	84	3.7
-46	84	3.2
-44	84	3.3
-42	84	4.5
-40	84	4.9
-38	84	3.9
-36	84	2.6
-34	84	3.6
-32	84	5.3
-30	84	5.9
-28	84	5.2
-26	84	4.1
-24	84	4.1
-22	84	5.5
-20	84	6.6
-18	84	6.8
-16	84	6.1
-14	84	5.2
-12	84	4.9
-10	84	5.2
-8	84	5.8
-6	84	6.3
-4	84	6.4
-2	84	6.1
0	84	5.4
2	84	4.8
4	84	4.7
6	84	5.3
8	84	6
10	84	6.3
12	84	5.6
14	84	4.2
16	84	3.6
18	84	4.7
20	84	5.8
22	84	5.8
24	84	4.6
26	84	2.8
28	84	3
30	84	4.5
32	84	4.8
34	84	3.8
36	84	3.1
38	84	3.4
40	84	3.4
42	84	2.5
44	84	2.4
46	84	2.9
48	84	2.4
50	84	1.2
52	84	1.7
54	84	2.3
56	84	0.8
58	84	-0.3
60	84	1.6
62	84	1.5
64	84	-2.2
66	84	-1.3
68	84	1.6

70	84	-0.7
72	84	-7
74	84	1.24E-14
76	84	1.1
78	84	-6.2
80	84	-4.5
82	84	1
84	84	-1.9
86	84	-16.3
88	84	-0.3
90	84	0.4
92	84	-7
94	84	-2.4
96	84	1.3
98	84	-1.6
100	84	-4.4
102	84	0.9
104	84	1.4
106	84	-1.5
108	84	-4.00E-15
110	84	2.1
112	84	1.4
114	84	0.8
116	84	2.3
118	84	2.7
120	84	2.1
122	84	2.4
124	84	3.2
126	84	2.9
128	84	2.6
130	84	3.4
132	84	3.8
134	84	3.2
136	84	3.4
138	84	4.6
140	84	5
142	84	4
144	84	2.6
146	84	3.6
148	84	5.3
150	84	5.9
152	84	5.3
154	84	4.1
156	84	4.2
158	84	5.6
160	84	6.7
162	84	6.8
164	84	6.1
166	84	5.2
168	84	4.8
170	84	5.1
172	84	5.7
174	84	6.2
176	84	6.4
178	84	6.1
180	84	5.5
-180	86	5.6
-178	86	5.2
-176	86	5
-174	86	5.4
-172	86	6.1
-170	86	6.5
-168	86	6
-166	86	4.7
-164	86	3.6
-162	86	4.3
-160	86	5.7
-158	86	6.1
-156	86	5.1
-154	86	3.3
-152	86	2.9
-150	86	4.3
-148	86	4.8
-146	86	4.1
-144	86	3.1
-142	86	3.1
-140	86	3.1
-138	86	2.3
-136	86	2.2
-134	86	2.9
-132	86	2.5
-130	86	1.2
-128	86	1.7
-126	86	2.7
-124	86	1.4
-122	86	-0.3
-120	86	1.5
-118	86	1.8
-116	86	-1.4
-114	86	-2
-112	86	1.2
-110	86	-0.4
-108	86	-6.8
-106	86	-0.8
-104	86	0.6
-102	86	-6.2
-100	86	-5
-98	86	0.8
-96	86	-1.8
-94	86	-17.5
-92	86	-0.4
-90	86	0.7
-88	86	-6.3
-86	86	-3.1
-84	86	1.2
-82	86	-1.2
-80	86	-5.5
-78	86	0
-76	86	0.6
-74	86	-2.3
-72	86	-0.3
-70	86	2
-68	86	1.4
-66	86	0.9
-64	86	2.3
-62	86	2.7
-60	86	1.9
-58	86	2.2
-56	86	3.1
-54	86	2.9
-52	86	2.5
-50	86	3.2
-48	86	3.7
-46	86	3.3
-44	86	3.6
-42	86	4.7
-40	86	5.1
-38	86	4.1
-36	86	3.1
-34	86	4.1
-32	86	5.6
-30	86	6
-28	86	5.1
-26	86	4
-24	86	4.3
-22	86	5.7
-20	86	6.7
-18	86	6.7

-16	86	6
-14	86	5.3
-12	86	5
-10	86	5.3
-8	86	5.8
-6	86	6.2
-4	86	6.3
-2	86	6.1
0	86	5.6
2	86	5.1
4	86	4.9
6	86	5.3
8	86	6.1
10	86	6.5
12	86	6
14	86	4.7
16	86	3.6
18	86	4.3
20	86	5.7
22	86	6.1
24	86	5.2
26	86	3.4
28	86	3
30	86	4.4
32	86	5
34	86	4.3
36	86	3.2
38	86	3.1
40	86	3.1
42	86	2.3
44	86	2.1
46	86	2.7
48	86	2.3
50	86	1.2
52	86	1.9
54	86	2.7
56	86	1.3
58	86	-0.4
60	86	1.5
62	86	1.9
64	86	-1.5
66	86	-2.1
68	86	1.2
70	86	-0.4
72	86	-7
74	86	-0.8
76	86	0.7
78	86	-6
80	86	-5.1
82	86	0.8
84	86	-2
86	86	-16.8
88	86	-0.2
90	86	0.8
92	86	-6.1
94	86	-3
96	86	1.2
98	86	-1.2
100	86	-5.2
102	86	0.1
104	86	0.7
106	86	-2.1
108	86	-0.2
110	86	2.1
112	86	1.4
114	86	0.9
116	86	2.4
118	86	2.7
120	86	2
122	86	2.3
124	86	3.1
126	86	2.9
128	86	2.5
130	86	3.2
132	86	3.6
134	86	3.3
136	86	3.7
138	86	4.9
140	86	5.2
142	86	4.1
144	86	3.1
146	86	4.2
148	86	5.7
150	86	6
152	86	5.1
154	86	4
156	86	4.3
158	86	5.7
160	86	6.7
162	86	6.7
164	86	6
166	86	5.2
168	86	5.1
170	86	5.4
172	86	5.8
174	86	6.1
176	86	6.2
178	86	6
180	86	5.6
-180	88	5.8
-178	88	5.4
-176	88	5.2
-174	88	5.5
-172	88	6.2
-170	88	6.7
-168	88	6.4
-166	88	5.2
-164	88	3.9
-162	88	4.2
-160	88	5.6
-158	88	6.3
-156	88	5.5
-154	88	3.6
-152	88	2.7
-150	88	4.1
-148	88	4.9
-146	88	4.2
-144	88	2.9
-142	88	2.9
-140	88	3.1
-138	88	2.6
-136	88	2.2
-134	88	2.8
-132	88	2.6
-130	88	1.5
-128	88	1.7
-126	88	2.6
-124	88	1.6
-122	88	4.44E-16
-120	88	1.6
-118	88	2.1
-116	88	-1.2
-114	88	-3.1
-112	88	0.9
-110	88	-8.08E-14
-108	88	-6.8
-106	88	-1.6
-104	88	0.6

-102	88	-4.8
-100	88	-5.6
-98	88	0.6
-96	88	-1.4
-94	88	-24.6
-92	88	-1
-90	88	0.6
-88	88	-5.8
-86	88	-4
-84	88	0.7
-82	88	-1.5
-80	88	-6.1
-78	88	-0.6
-76	88	0.1
-74	88	-2.8
-72	88	-0.7
-70	88	1.7
-68	88	0.9
-66	88	0.2
-64	88	2
-62	88	2.6
-60	88	1.8
-58	88	2
-56	88	2.9
-54	88	3
-52	88	2.7
-50	88	3.1
-48	88	3.3
-46	88	2.9
-44	88	3.4
-42	88	4.6
-40	88	4.9
-38	88	3.8
-36	88	2.9
-34	88	4.2
-32	88	5.7
-30	88	5.9
-28	88	5
-26	88	3.9
-24	88	4.3
-22	88	5.8
-20	88	6.7
-18	88	6.7
-16	88	6
-14	88	5.3
-12	88	5.2
-10	88	5.5
-8	88	5.9
-6	88	6.2
-4	88	6.2
-2	88	6.1
0	88	5.7
2	88	5.3
4	88	5.1
6	88	5.4
8	88	6.2
10	88	6.7
12	88	6.4
14	88	5.2
16	88	3.9
18	88	4.2
20	88	5.6
22	88	6.3
24	88	5.6
26	88	3.7
28	88	2.8
30	88	4.1
32	88	5
34	88	4.3
36	88	3
38	88	2.9
40	88	3.1
42	88	2.5
44	88	2.1
46	88	2.7
48	88	2.6
50	88	1.5
52	88	1.8
54	88	2.7
56	88	1.6
58	88	-0.2
60	88	1.5
62	88	2.1
64	88	-1.1
66	88	-3
68	88	0.8
70	88	-0.1
72	88	-5.7
74	88	-1.4
76	88	0.6
78	88	-4.9
80	88	-5.5
82	88	0.7
84	88	-1.4
86	88	-22.8
88	88	-0.9
90	88	0.6
92	88	-5.6
94	88	-3.8
96	88	0.8
98	88	-1.4
100	88	-6
102	88	-0.5
104	88	0.2
106	88	-2.6
108	88	-0.6
110	88	1.7
112	88	1
114	88	0.2
116	88	1.9
118	88	2.6
120	88	2
122	88	2.2
124	88	3
126	88	3
128	88	2.7
130	88	3
132	88	3.2
134	88	3
136	88	3.5
138	88	4.7
140	88	4.9
142	88	3.8
144	88	2.9
146	88	4.3
148	88	5.8
150	88	6
152	88	5
154	88	3.8
156	88	4.3
158	88	5.7
160	88	6.7
162	88	6.7
164	88	6
166	88	5.3
168	88	5.2
170	88	5.5
172	88	5.8

174	88	6.1
176	88	6.2
178	88	6.1
180	88	5.8
-180	90	5.7
-178	90	5.3
-176	90	5
-174	90	5.2
-172	90	5.9
-170	90	6.4
-168	90	6.2
-166	90	5.1
-164	90	3.7
-162	90	3.8
-160	90	5.2
-158	90	6
-156	90	5.5
-154	90	3.7
-152	90	2.7
-150	90	3.9
-148	90	4.8
-146	90	4.1
-144	90	2.7
-142	90	2.7
-140	90	3.1
-138	90	2.6
-136	90	2.1
-134	90	2.7
-132	90	2.8
-130	90	1.8
-128	90	1.6
-126	90	2.4
-124	90	1.5
-122	90	-0.2
-120	90	1.1
-118	90	1.7
-116	90	-1.5
-114	90	-3.3
-112	90	0.8
-110	90	-8.30E-14
-108	90	-6.9
-106	90	-1.5
-104	90	1.1
-102	90	-3.6
-100	90	-6.7
-98	90	0.5
-96	90	-0.8
-94	90	-22.6
-92	90	-2
-90	90	0.2
-88	90	-5.7
-86	90	-4.5
-84	90	0.4
-82	90	-1.5
-80	90	-5.4
-78	90	-0.3
-76	90	0.4
-74	90	-2.9
-72	90	-1.4
-70	90	1.3
-68	90	0.8
-66	90	-0.1
-64	90	1.5
-62	90	2.3
-60	90	1.7
-58	90	1.8
-56	90	2.5
-54	90	2.6
-52	90	2.6
-50	90	3.1
-48	90	3.2
-46	90	2.8
-44	90	3.3
-42	90	4.6
-40	90	4.9
-38	90	3.8
-36	90	2.8
-34	90	4
-32	90	5.6
-30	90	5.9
-28	90	4.9
-26	90	3.6
-24	90	3.9
-22	90	5.4
-20	90	6.5
-18	90	6.6
-16	90	6
-14	90	5.3
-12	90	5.2
-10	90	5.5
-8	90	5.8
-6	90	6
-4	90	6.1
-2	90	5.9
0	90	5.6
2	90	5.3
4	90	5
6	90	5.2
8	90	5.9
10	90	6.4
12	90	6.2
14	90	5.1
16	90	3.8
18	90	3.8
20	90	5.2
22	90	6.1
24	90	5.6
26	90	3.8
28	90	2.7
30	90	4
32	90	4.8
34	90	4.1
36	90	2.7
38	90	2.5
40	90	3.1
42	90	2.6
44	90	2
46	90	2.7
48	90	2.9
50	90	1.9
52	90	1.7
54	90	2.4
56	90	1.6
58	90	-0.2
60	90	1.1
62	90	1.8
64	90	-1.5
66	90	-3.3
68	90	0.8
70	90	1.02E-14
72	90	-6.9
74	90	-1.4
76	90	1.1
78	90	-3.6
80	90	-6.8
82	90	0.5
84	90	-0.9
86	90	-22.5

88	90	-2.1
90	90	0.2
92	90	-5.6
94	90	-4.6
96	90	0.4
98	90	-1.5
100	90	-5.5
102	90	-0.3
104	90	0.5
106	90	-2.6
108	90	-1.4
110	90	1.4
112	90	0.9
114	90	-0.1
116	90	1.4
118	90	2.4
120	90	1.9
122	90	1.8
124	90	2.6
126	90	2.6
128	90	2.6
130	90	3
132	90	3.2
134	90	2.8
136	90	3.3
138	90	4.5
140	90	4.8
142	90	3.7
144	90	2.7
146	90	4
148	90	5.6
150	90	5.9
152	90	4.9
154	90	3.6
156	90	3.9
158	90	5.3
160	90	6.4
162	90	6.5
164	90	6
166	90	5.4
168	90	5.2
170	90	5.4
172	90	5.7
174	90	5.9
176	90	6
178	90	5.9
180	90	5.7
-180	92	6
-178	92	5.7
-176	92	5.3
-174	92	5.4
-172	92	6
-170	92	6.5
-168	92	6.2
-166	92	5.1
-164	92	3.6
-162	92	3.4
-160	92	4.8
-158	92	5.6
-156	92	5.2
-154	92	3.5
-152	92	2.5
-150	92	3.7
-148	92	4.6
-146	92	4.1
-144	92	3
-142	92	2.9
-140	92	3.2
-138	92	2.6
-136	92	2
-134	92	2.5
-132	92	2.6
-130	92	1.4
-128	92	1.2
-126	92	2.1
-124	92	1.5
-122	92	-0.2
-120	92	0.8
-118	92	1.4
-116	92	-1.5
-114	92	-3
-112	92	0.8
-110	92	0.1
-108	92	-6.9
-106	92	-1.5
-104	92	1.2
-102	92	-3.2
-100	92	-8
-98	92	0.2
-96	92	-0.9
-94	92	-22.8
-92	92	-1.8
-90	92	0.6
-88	92	-5.2
-86	92	-5.1
-84	92	0.5
-82	92	-1.1
-80	92	-6
-78	92	-0.3
-76	92	0.9
-74	92	-1.9
-72	92	-1.1
-70	92	1.6
-68	92	1.3
-66	92	0.1
-64	92	1.3
-62	92	2.1
-60	92	1.6
-58	92	1.7
-56	92	2.4
-54	92	2.4
-52	92	2.4
-50	92	3.2
-48	92	3.6
-46	92	3.1
-44	92	3.3
-42	92	4.6
-40	92	5.1
-38	92	4.2
-36	92	2.9
-34	92	3.9
-32	92	5.5
-30	92	6
-28	92	5.2
-26	92	3.8
-24	92	3.8
-22	92	5.2
-20	92	6.3
-18	92	6.6
-16	92	6.2
-14	92	5.7
-12	92	5.5
-10	92	5.7
-8	92	5.9
-6	92	6.1
-4	92	6.2
-2	92	6.2
0	92	6

2	92	5.6
4	92	5.3
6	92	5.3
8	92	5.9
10	92	6.4
12	92	6.2
14	92	5.1
16	92	3.6
18	92	3.5
20	92	4.7
22	92	5.6
24	92	5.2
26	92	3.6
28	92	2.6
30	92	3.7
32	92	4.6
34	92	4.1
36	92	3
38	92	2.9
40	92	3.1
42	92	2.5
44	92	1.9
46	92	2.5
48	92	2.7
50	92	1.6
52	92	1.2
54	92	2.1
56	92	1.6
58	92	-0.2
60	92	0.8
62	92	1.4
64	92	-1.5
66	92	-2.8
68	92	0.8
70	92	9.77E-15
72	92	-6.8
74	92	-1.5
76	92	1.1
78	92	-3.4
80	92	-7.9
82	92	0.1
84	92	-1
86	92	-21.9
88	92	-2.1
90	92	0.3
92	92	-5.5
94	92	-5
96	92	0.5
98	92	-1.1
100	92	-5.9
102	92	-0.4
104	92	0.9
106	92	-1.7
108	92	-1.1
110	92	1.6
112	92	1.4
114	92	0.3
116	92	1.3
118	92	2.1
120	92	1.6
122	92	1.6
124	92	2.4
126	92	2.4
128	92	2.4
130	92	3.2
132	92	3.6
134	92	3.2
136	92	3.3
138	92	4.5
140	92	5
142	92	4.2
144	92	3
146	92	3.9
148	92	5.5
150	92	6
152	92	5.2
154	92	3.9
156	92	3.8
158	92	5.1
160	92	6.3
162	92	6.6
164	92	6.2
166	92	5.7
168	92	5.5
170	92	5.6
172	92	5.8
174	92	6.1
176	92	6.2
178	92	6.2
180	92	6
-180	94	6
-178	94	5.6
-176	94	5.3
-174	94	5.4
-172	94	6.1
-170	94	6.7
-168	94	6.5
-166	94	5.5
-164	94	4
-162	94	3.8
-160	94	5.1
-158	94	5.9
-156	94	5.5
-154	94	3.8
-152	94	2.7
-150	94	3.7
-148	94	4.7
-146	94	4.3
-144	94	3.2
-142	94	2.9
-140	94	3.1
-138	94	2.6
-136	94	2.2
-134	94	2.7
-132	94	2.5
-130	94	1.3
-128	94	1.1
-126	94	2.2
-124	94	1.6
-122	94	-0.2
-120	94	0.9
-118	94	1.8
-116	94	-0.7
-114	94	-2.7
-112	94	0.6
-110	94	0.1
-108	94	-5.7
-106	94	-1.8
-104	94	0.8
-102	94	-3.7
-100	94	-7.5
-98	94	0.3
-96	94	-0.8
-94	94	-20.8
-92	94	-1.7
-90	94	0.8
-88	94	-4.8
-86	94	-5.5

-84	94	0.7
-82	94	-0.8
-80	94	-7
-78	94	-0.5
-76	94	1.3
-74	94	-1.2
-72	94	-1.1
-70	94	1.6
-68	94	1.5
-66	94	0.5
-64	94	1.7
-62	94	2.5
-60	94	1.9
-58	94	1.9
-56	94	2.8
-54	94	2.7
-52	94	2.3
-50	94	2.9
-48	94	3.5
-46	94	3.4
-44	94	3.5
-42	94	4.6
-40	94	5.3
-38	94	4.6
-36	94	3.4
-34	94	4
-32	94	5.7
-30	94	6.4
-28	94	5.8
-26	94	4.6
-24	94	4.2
-22	94	5.1
-20	94	6.2
-18	94	6.5
-16	94	6.1
-14	94	5.5
-12	94	5.3
-10	94	5.4
-8	94	5.7
-6	94	6
-4	94	6.2
-2	94	6.1
0	94	5.9
2	94	5.6
4	94	5.3
6	94	5.5
8	94	6.1
10	94	6.7
12	94	6.5
14	94	5.5
16	94	4.1
18	94	4
20	94	5.1
22	94	5.9
24	94	5.4
26	94	3.9
28	94	2.8
30	94	3.7
32	94	4.6
34	94	4.3
36	94	3.2
38	94	2.9
40	94	3.1
42	94	2.6
44	94	2.1
46	94	2.6
48	94	2.6
50	94	1.5
52	94	1.3
54	94	2.2
56	94	1.6
58	94	-0.1
60	94	0.8
62	94	1.7
64	94	-0.8
66	94	-2.6
68	94	0.7
70	94	0.1
72	94	-5.9
74	94	-1.9
76	94	0.7
78	94	-3.8
80	94	-7.3
82	94	0.4
84	94	-0.7
86	94	-19.4
88	94	-1.9
90	94	0.7
92	94	-4.8
94	94	-5.7
96	94	0.5
98	94	-0.9
100	94	-7
102	94	-0.7
104	94	1.2
106	94	-1.1
108	94	-1
110	94	1.7
112	94	1.7
114	94	0.7
116	94	1.6
118	94	2.4
120	94	1.9
122	94	1.8
124	94	2.6
126	94	2.6
128	94	2.3
130	94	2.9
132	94	3.5
134	94	3.4
136	94	3.5
138	94	4.6
140	94	5.2
142	94	4.6
144	94	3.4
146	94	4
148	94	5.6
150	94	6.4
152	94	5.8
154	94	4.6
156	94	4.1
158	94	5.1
160	94	6.2
162	94	6.6
164	94	6.2
166	94	5.5
168	94	5.2
170	94	5.4
172	94	5.6
174	94	6
176	94	6.2
178	94	6.2
180	94	6
-180	96	5.5
-178	96	5
-176	96	4.7
-174	96	5
-172	96	5.9

-170	96	6.6
-168	96	6.6
-166	96	5.5
-164	96	4.2
-162	96	4.1
-160	96	5.3
-158	96	6.1
-156	96	5.6
-154	96	3.9
-152	96	2.9
-150	96	4.1
-148	96	5
-146	96	4.6
-144	96	3.2
-142	96	2.7
-140	96	3
-138	96	2.6
-136	96	2.2
-134	96	2.6
-132	96	2.6
-130	96	1.7
-128	96	1.7
-126	96	2.6
-124	96	1.9
-122	96	1.78E-15
-120	96	1.1
-118	96	2.1
-116	96	-0.4
-114	96	-3
-112	96	0.4
-110	96	0.2
-108	96	-5.6
-106	96	-2.2
-104	96	0.7
-102	96	-3.5
-100	96	-7.3
-98	96	0.4
-96	96	-0.4
-94	96	-17.4
-92	96	-2
-90	96	1
-88	96	-3.9
-86	96	-6.2
-84	96	0.6
-82	96	-0.4
-80	96	-6.7
-78	96	-1.3
-76	96	0.8
-74	96	-1.9
-72	96	-1.7
-70	96	1.5
-68	96	1.6
-66	96	0.4
-64	96	1.6
-62	96	2.6
-60	96	2
-58	96	1.7
-56	96	2.6
-54	96	2.8
-52	96	2.3
-50	96	2.6
-48	96	3.3
-46	96	3.2
-44	96	3.2
-42	96	4.3
-40	96	5.2
-38	96	4.7
-36	96	3.4
-34	96	3.5
-32	96	5.2
-30	96	6.2
-28	96	5.9
-26	96	4.8
-24	96	4
-22	96	4.7
-20	96	5.8
-18	96	6.2
-16	96	5.8
-14	96	5
-12	96	4.6
-10	96	4.8
-8	96	5.2
-6	96	5.7
-4	96	5.9
-2	96	5.8
0	96	5.4
2	96	5
4	96	4.8
6	96	5.1
8	96	6
10	96	6.6
12	96	6.6
14	96	5.6
16	96	4.3
18	96	4.2
20	96	5.4
22	96	6.1
24	96	5.6
26	96	3.9
28	96	2.9
30	96	4
32	96	5
34	96	4.6
36	96	3.3
38	96	2.6
40	96	2.8
42	96	2.6
44	96	2.3
46	96	2.7
48	96	2.8
50	96	1.8
52	96	1.8
54	96	2.6
56	96	2
58	96	0.2
60	96	1.1
62	96	2.1
64	96	-0.3
66	96	-3
68	96	0.3
70	96	0.2
72	96	-5.3
74	96	-2.3
76	96	0.6
78	96	-3.5
80	96	-7.2
82	96	0.4
84	96	-0.5
86	96	-17.8
88	96	-2.1
90	96	0.9
92	96	-4.1
94	96	-6.2
96	96	0.6
98	96	-0.3
100	96	-7
102	96	-1.4
104	96	0.8

106	96	-1.8
108	96	-1.8
110	96	1.5
112	96	1.7
114	96	0.4
116	96	1.6
118	96	2.6
120	96	2
122	96	1.7
124	96	2.6
126	96	2.9
128	96	2.4
130	96	2.6
132	96	3.2
134	96	3.2
136	96	3.2
138	96	4.3
140	96	5.1
142	96	4.6
144	96	3.3
146	96	3.5
148	96	5.2
150	96	6.3
152	96	6
154	96	4.7
156	96	3.9
158	96	4.7
160	96	5.8
162	96	6.2
164	96	5.8
166	96	5.1
168	96	4.6
170	96	4.8
172	96	5.2
174	96	5.7
176	96	5.9
178	96	5.9
180	96	5.5
-180	98	5.7
-178	98	5
-176	98	4.6
-174	98	4.9
-172	98	5.8
-170	98	6.5
-168	98	6.3
-166	98	5.2
-164	98	3.9
-162	98	4.1
-160	98	5.2
-158	98	5.7
-156	98	4.9
-154	98	3.1
-152	98	2.5
-150	98	4
-148	98	4.8
-146	98	4.1
-144	98	2.6
-142	98	2.6
-140	98	3.2
-138	98	2.8
-136	98	2.3
-134	98	2.7
-132	98	2.7
-130	98	1.7
-128	98	1.7
-126	98	2.7
-124	98	2
-122	98	0.1
-120	98	1.2
-118	98	2.1
-116	98	-0.8
-114	98	-3.7
-112	98	0.5
-110	98	0.4
-108	98	-6.1
-106	98	-2.3
-104	98	1
-102	98	-2.5
-100	98	-8
-98	98	0.1
-96	98	-0.4
-94	98	-15.2
-92	98	-2.5
-90	98	0.9
-88	98	-3.5
-86	98	-6.8
-84	98	0.4
-82	98	-0.2
-80	98	-6.2
-78	98	-1.4
-76	98	0.9
-74	98	-1.7
-72	98	-2.3
-70	98	1.3
-68	98	1.5
-66	98	-0.3
-64	98	0.9
-62	98	2.5
-60	98	2
-58	98	1.4
-56	98	2.3
-54	98	3
-52	98	2.7
-50	98	2.7
-48	98	3.2
-46	98	2.8
-44	98	2.5
-42	98	3.7
-40	98	4.9
-38	98	4.7
-36	98	3.2
-34	98	2.6
-32	98	4.4
-30	98	5.9
-28	98	6
-26	98	5
-24	98	4
-22	98	4.3
-20	98	5.5
-18	98	6.2
-16	98	6
-14	98	5.3
-12	98	4.7
-10	98	4.8
-8	98	5.3
-6	98	5.9
-4	98	6.2
-2	98	6.1
0	98	5.6
2	98	5
4	98	4.6
6	98	5
8	98	5.8
10	98	6.5
12	98	6.3
14	98	5.3
16	98	4.1
18	98	4.1

20	98	5.2
22	98	5.7
24	98	5
26	98	3.2
28	98	2.4
30	98	3.8
32	98	4.7
34	98	4.1
36	98	2.7
38	98	2.5
40	98	3.1
42	98	2.8
44	98	2.4
46	98	2.8
48	98	2.8
50	98	1.9
52	98	1.8
54	98	2.6
56	98	1.9
58	98	0.2
60	98	1.1
62	98	1.9
64	98	-0.8
66	98	-3.6
68	98	0.4
70	98	0.3
72	98	-5.8
74	98	-2.3
76	98	1
78	98	-2.5
80	98	-7.9
82	98	0.1
84	98	-0.3
86	98	-14.6
88	98	-2.6
90	98	0.9
92	98	-3.4
94	98	-6.4
96	98	0.6
98	98	5.33E-15
100	98	-6.4
102	98	-1.5
104	98	0.9
106	98	-1.7
108	98	-2.5
110	98	1.2
112	98	1.5
114	98	-0.1
116	98	1
118	98	2.4
120	98	2
122	98	1.4
124	98	2.4
126	98	3
128	98	2.6
130	98	2.6
132	98	3.1
134	98	2.9
136	98	2.5
138	98	3.6
140	98	4.8
142	98	4.6
144	98	3.1
146	98	2.6
148	98	4.5
150	98	6
152	98	6
154	98	5
156	98	4
158	98	4.4
160	98	5.6
162	98	6.3
164	98	6
166	98	5.3
168	98	4.7
170	98	4.7
172	98	5.3
174	98	5.9
176	98	6.3
178	98	6.2
180	98	5.7
-180	100	6
-178	100	5.2
-176	100	4.8
-174	100	5.2
-172	100	5.9
-170	100	6.4
-168	100	6.1
-166	100	4.9
-164	100	3.9
-162	100	4.3
-160	100	5.3
-158	100	5.4
-156	100	4.3
-154	100	2.5
-152	100	2.3
-150	100	3.7
-148	100	4.2
-146	100	3.2
-144	100	2.2
-142	100	2.7
-140	100	3.1
-138	100	2.6
-136	100	2.2
-134	100	2.9
-132	100	2.9
-130	100	1.6
-128	100	1.6
-126	100	2.6
-124	100	1.8
-122	100	-0.2
-120	100	0.9
-118	100	1.6
-116	100	-1.4
-114	100	-3.2
-112	100	1
-110	100	0.5
-108	100	-6.5
-106	100	-1.8
-104	100	1.5
-102	100	-2.1
-100	100	-8.8
-98	100	0.2
-96	100	0.1
-94	100	-12.1
-92	100	-3.2
-90	100	0.7
-88	100	-3.3
-86	100	-7
-84	100	0.3
-82	100	-1.33E-15
-80	100	-5.8
-78	100	-1
-76	100	1.6
-74	100	-0.7
-72	100	-2.7
-70	100	1.1
-68	100	1.8

-66	100	-4.44E-16
-64	100	0.8
-62	100	2.6
-60	100	2.4
-58	100	1.5
-56	100	2.3
-54	100	3.1
-52	100	2.8
-50	100	2.9
-48	100	3.6
-46	100	3.5
-44	100	2.8
-42	100	3.5
-40	100	4.9
-38	100	5.2
-36	100	4
-34	100	2.6
-32	100	3.9
-30	100	5.8
-28	100	6.5
-26	100	5.9
-24	100	4.7
-22	100	4.4
-20	100	5.3
-18	100	6.2
-16	100	6.3
-14	100	5.8
-12	100	5.1
-10	100	5
-8	100	5.5
-6	100	6.2
-4	100	6.6
-2	100	6.5
0	100	5.9
2	100	5.2
4	100	4.9
6	100	5.2
8	100	6
10	100	6.4
12	100	6
14	100	4.9
16	100	3.9
18	100	4.4
20	100	5.3
22	100	5.4
24	100	4.3
26	100	2.5
28	100	2.3
30	100	3.7
32	100	4.3
34	100	3.4
36	100	2.2
38	100	2.5
40	100	3.1
42	100	2.7
44	100	2.4
46	100	2.9
48	100	2.9
50	100	1.7
52	100	1.6
54	100	2.4
56	100	1.7
58	100	-0.1
60	100	0.8
62	100	1.5
64	100	-1.5
66	100	-3.6
68	100	0.8
70	100	0.5
72	100	-6.1
74	100	-2
76	100	1.4
78	100	-2
80	100	-9.1
82	100	0.1
84	100	0.2
86	100	-11.8
88	100	-3.2
90	100	0.9
92	100	-3.1
94	100	-7.3
96	100	0.5
98	100	0.2
100	100	-5.8
102	100	-1.2
104	100	1.6
106	100	-0.6
108	100	-2.6
110	100	1.1
112	100	1.8
114	100	-9.77E-15
116	100	0.7
118	100	2.6
120	100	2.4
122	100	1.5
124	100	2.2
126	100	2.9
128	100	2.7
130	100	2.9
132	100	3.6
134	100	3.6
136	100	2.8
138	100	3.4
140	100	4.9
142	100	5.2
144	100	3.9
146	100	2.5
148	100	3.9
150	100	5.8
152	100	6.5
154	100	5.9
156	100	4.8
158	100	4.5
160	100	5.4
162	100	6.2
164	100	6.3
166	100	5.7
168	100	5
170	100	4.9
172	100	5.4
174	100	6.1
176	100	6.6
178	100	6.5
180	100	6
-180	102	5.7
-178	102	5
-176	102	4.8
-174	102	5.3
-172	102	6
-170	102	6.3
-168	102	5.9
-166	102	4.9
-164	102	4.4
-162	102	5.1
-160	102	5.8
-158	102	5.5
-156	102	4.1
-154	102	2.5

-152	102	2.8
-150	102	3.9
-148	102	4.1
-146	102	3.3
-144	102	2.7
-142	102	3.1
-140	102	3.2
-138	102	2.4
-136	102	2.3
-134	102	3
-132	102	2.7
-130	102	1.4
-128	102	1.8
-126	102	2.9
-124	102	1.8
-122	102	-0.2
-120	102	1.1
-118	102	1.8
-116	102	-1.2
-114	102	-2.5
-112	102	1.3
-110	102	0.7
-108	102	-5.7
-106	102	-1.3
-104	102	1.7
-102	102	-2
-100	102	-9.4
-98	102	0.4
-96	102	0.5
-94	102	-10.8
-92	102	-3.3
-90	102	1.1
-88	102	-2.6
-86	102	-8.1
-84	102	0.5
-82	102	0.5
-80	102	-6
-78	102	-1.5
-76	102	1.9
-74	102	0.2
-72	102	-2.3
-70	102	1.4
-68	102	2.5
-66	102	0.8
-64	102	0.8
-62	102	2.7
-60	102	2.6
-58	102	1.7
-56	102	2.3
-54	102	3.2
-52	102	2.8
-50	102	2.7
-48	102	3.7
-46	102	4
-44	102	3.3
-42	102	3.4
-40	102	4.8
-38	102	5.6
-36	102	4.7
-34	102	2.9
-32	102	3.2
-30	102	5.3
-28	102	6.7
-26	102	6.6
-24	102	5.6
-22	102	4.5
-20	102	4.7
-18	102	5.5
-16	102	5.9
-14	102	5.5
-12	102	4.8
-10	102	4.4
-8	102	4.8
-6	102	5.6
-4	102	6.1
-2	102	6.2
0	102	5.7
2	102	5.1
4	102	4.8
6	102	5.3
8	102	6
10	102	6.3
12	102	5.9
14	102	4.9
16	102	4.4
18	102	5.1
20	102	5.8
22	102	5.6
24	102	4.2
26	102	2.6
28	102	2.8
30	102	4
32	102	4.2
34	102	3.4
36	102	2.6
38	102	3
40	102	3.1
42	102	2.4
44	102	2.3
46	102	3
48	102	2.8
50	102	1.6
52	102	1.7
54	102	2.7
56	102	1.8
58	102	-0.1
60	102	1.1
62	102	1.8
64	102	-1
66	102	-2.6
68	102	1.1
70	102	0.6
72	102	-5.7
74	102	-1.5
76	102	1.6
78	102	-1.9
80	102	-9.7
82	102	0.3
84	102	0.5
86	102	-10.4
88	102	-3.4
90	102	0.9
92	102	-2.8
94	102	-8
96	102	0.6
98	102	0.6
100	102	-6.1
102	102	-1.6
104	102	1.9
106	102	5.77E-15
108	102	-2.3
110	102	1.4
112	102	2.5
114	102	0.8
116	102	0.9
118	102	2.8
120	102	2.7
122	102	1.6

124	102	2.3
126	102	3.1
128	102	2.8
130	102	2.7
132	102	3.8
134	102	4.2
136	102	3.5
138	102	3.4
140	102	4.8
142	102	5.6
144	102	4.8
146	102	2.9
148	102	3.1
150	102	5.3
152	102	6.6
154	102	6.6
156	102	5.6
158	102	4.6
160	102	4.8
162	102	5.6
164	102	5.9
166	102	5.4
168	102	4.7
170	102	4.3
172	102	4.8
174	102	5.6
176	102	6.1
178	102	6.2
180	102	5.7
-180	104	4.9
-178	104	4.5
-176	104	4.5
-174	104	4.9
-172	104	5.5
-170	104	5.7
-168	104	5.3
-166	104	4.6
-164	104	4.7
-162	104	5.7
-160	104	6.3
-158	104	5.7
-156	104	4.1
-154	104	2.7
-152	104	3.3
-150	104	4.3
-148	104	4.3
-146	104	3.4
-144	104	2.7
-142	104	2.9
-140	104	2.8
-138	104	2.3
-136	104	2.6
-134	104	3.2
-132	104	2.7
-130	104	1.5
-128	104	2.2
-126	104	3.1
-124	104	1.9
-122	104	0.1
-120	104	1.7
-118	104	2.4
-116	104	-0.4
-114	104	-2
-112	104	1.3
-110	104	0.7
-108	104	-5.5
-106	104	-1.3
-104	104	1.7
-102	104	-1.9
-100	104	-8.6
-98	104	0.7
-96	104	0.9
-94	104	-9.6
-92	104	-3.3
-90	104	1.5
-88	104	-1.7
-86	104	-9.4
-84	104	0.4
-82	104	1.1
-80	104	5.4
-78	104	-2.9
-76	104	1.7
-74	104	0.5
-72	104	-2.4
-70	104	1.1
-68	104	2.6
-66	104	1.1
-64	104	0.6
-62	104	2.6
-60	104	2.8
-58	104	1.6
-56	104	2
-54	104	3.1
-52	104	2.7
-50	104	1.9
-48	104	2.8
-46	104	3.7
-44	104	3.1
-42	104	2.6
-40	104	3.9
-38	104	5.2
-36	104	5.1
-34	104	3.4
-32	104	2.3
-30	104	4.2
-28	104	6.1
-26	104	6.7
-24	104	6
-22	104	4.8
-20	104	4.1
-18	104	4.5
-16	104	4.9
-14	104	4.8
-12	104	4.2
-10	104	3.8
-8	104	3.9
-6	104	4.5
-4	104	5.1
-2	104	5.2
0	104	4.9
2	104	4.4
4	104	4.4
6	104	4.9
8	104	5.5
10	104	5.7
12	104	5.3
14	104	4.7
16	104	4.7
18	104	5.6
20	104	6.3
22	104	5.8
24	104	4.3
26	104	2.8
28	104	3.2
30	104	4.3
32	104	4.4
34	104	3.4
36	104	2.6

38	104	2.7
40	104	2.8
42	104	2.4
44	104	2.7
46	104	3.2
48	104	2.7
50	104	1.6
52	104	2.2
54	104	3.1
56	104	1.9
58	104	0.2
60	104	1.8
62	104	2.5
64	104	-0.3
66	104	-2.3
68	104	1.3
70	104	0.8
72	104	-5.3
74	104	-1.5
76	104	1.7
78	104	-1.8
80	104	-8.7
82	104	0.6
84	104	0.9
86	104	-9.3
88	104	-3.5
90	104	1.4
92	104	-1.8
94	104	-9.8
96	104	0.3
98	104	1
100	104	-5.5
102	104	-2.9
104	104	1.7
106	104	0.4
108	104	-2.4
110	104	1.2
112	104	2.7
114	104	1.1
116	104	0.6
118	104	2.5
120	104	2.8
122	104	1.6
124	104	1.9
126	104	3
128	104	2.6
130	104	1.9
132	104	2.8
134	104	3.6
136	104	3.1
138	104	2.6
140	104	3.9
142	104	5.2
144	104	5.1
146	104	3.4
148	104	2.3
150	104	4.2
152	104	6.1
154	104	6.7
156	104	6.1
158	104	4.9
160	104	4.3
162	104	4.6
164	104	5
166	104	4.8
168	104	4.3
170	104	3.8
172	104	3.9
174	104	4.5
176	104	5.1
178	104	5.2
180	104	4.9
-180	106	5.2
-178	106	5.1
-176	106	5.2
-174	106	5.3
-172	106	5.2
-170	106	4.8
-168	106	4.1
-166	106	3.7
-164	106	4.4
-162	106	5.6
-160	106	6
-158	106	5.2
-156	106	3.5
-154	106	2.6
-152	106	3.5
-150	106	4.3
-148	106	3.8
-146	106	2.4
-144	106	1.6
-142	106	2
-140	106	2.2
-138	106	2
-136	106	2.4
-134	106	2.9
-132	106	2.3
-130	106	1.5
-128	106	2.4
-126	106	3.1
-124	106	1.7
-122	106	0.4
-120	106	2.2
-118	106	2.5
-116	106	-0.9
-114	106	-2.5
-112	106	1.4
-110	106	0.8
-108	106	-6.1
-106	106	-1.9
-104	106	1.6
-102	106	-1.8
-100	106	-8.5
-98	106	0.7
-96	106	1.1
-94	106	-8.4
-92	106	-3.7
-90	106	1.6
-88	106	-0.8
-86	106	-10.5
-84	106	-2.66E-15
-82	106	1.5
-80	106	-3.6
-78	106	-4.1
-76	106	1.1
-74	106	0.5
-72	106	-3
-70	106	0.3
-68	106	2.4
-66	106	1.2
-64	106	0.3
-62	106	2.4
-60	106	3
-58	106	1.6
-56	106	1.2
-54	106	2.6
-52	106	2.7
-50	106	1.9

-48	106	2.1
-46	106	3.1
-44	106	2.9
-42	106	1.8
-40	106	2.7
-38	106	4.7
-36	106	5.4
-34	106	4.4
-32	106	2.6
-30	106	3
-28	106	5.2
-26	106	6.6
-24	106	6.6
-22	106	5.7
-20	106	4.7
-18	106	4.6
-16	106	5.1
-14	106	5.5
-12	106	5.5
-10	106	5.2
-8	106	5
-6	106	5.1
-4	106	5.3
-2	106	5.4
0	106	5.2
2	106	5.1
4	106	5.2
6	106	5.3
8	106	5.3
10	106	4.9
12	106	4.1
14	106	3.6
16	106	4.3
18	106	5.5
20	106	6
22	106	5.3
24	106	3.7
26	106	2.6
28	106	3.5
30	106	4.3
32	106	3.9
34	106	2.6
36	106	1.7
38	106	2
40	106	2.1
42	106	2
44	106	2.4
46	106	2.9
48	106	2.3
50	106	1.5
52	106	2.5
54	106	3.1
56	106	1.7
58	106	0.3
60	106	2.2
62	106	2.6
64	106	-0.6
66	106	-2.6
68	106	1.2
70	106	0.7
72	106	-5.7
74	106	-1.8
76	106	1.5
78	106	-1.9
80	106	-8.4
82	106	0.6
84	106	1.1
86	106	-8.5
88	106	-3.8
90	106	1.6
92	106	-0.9
94	106	-10.8
96	106	1.0E-13
98	106	1.5
100	106	-3.7
102	106	-4.2
104	106	1.2
106	106	0.6
108	106	-3
110	106	0.3
112	106	2.4
114	106	1.2
116	106	0.2
118	106	2.3
120	106	3
122	106	1.6
124	106	1.2
126	106	2.5
128	106	2.7
130	106	1.8
132	106	2
134	106	3.1
136	106	2.9
138	106	1.9
140	106	2.6
142	106	4.6
144	106	5.3
146	106	4.4
148	106	2.6
150	106	3
152	106	5.2
154	106	6.6
156	106	6.6
158	106	5.7
160	106	4.7
162	106	4.6
164	106	5.1
166	106	5.5
168	106	5.5
170	106	5.2
172	106	5
174	106	5.1
176	106	5.3
178	106	5.4
180	106	5.2
-180	108	6
-178	108	6.3
-176	108	6.6
-174	108	6.4
-172	108	5.8
-170	108	4.7
-168	108	3.7
-166	108	3.7
-164	108	4.8
-162	108	5.7
-160	108	5.7
-158	108	4.5
-156	108	2.9
-154	108	2.9
-152	108	4
-150	108	4.2
-148	108	3
-146	108	1.4
-144	108	1.3
-142	108	2
-140	108	2.1
-138	108	1.8
-136	108	2.1

-134	108	2.2
-132	108	1.5
-130	108	1.1
-128	108	2.3
-126	108	2.7
-124	108	1.1
-122	108	-4.44E+16
-120	108	1.9
-118	108	1.9
-116	108	-2.3
-114	108	-3.1
-112	108	1.2
-110	108	0.4
-108	108	-7.2
-106	108	-1.6
-104	108	1.8
-102	108	-1.4
-100	108	-9.6
-98	108	0.1
-96	108	0.8
-94	108	-8.1
-92	108	-4.2
-90	108	1.5
-88	108	-0.5
-86	108	-9.8
-84	108	-0.2
-82	108	1.7
-80	108	-2.4
-78	108	-4.4
-76	108	1
-74	108	1
-72	108	-2.5
-70	108	-0.3
-68	108	2.3
-66	108	1.4
-64	108	-0.1
-62	108	2
-60	108	3.1
-58	108	2.1
-56	108	1.2
-54	108	2.4
-52	108	3.1
-50	108	2.5
-48	108	2.5
-46	108	3.5
-44	108	3.8
-42	108	2.7
-40	108	2.3
-38	108	4.2
-36	108	5.7
-34	108	5.6
-32	108	4.1
-30	108	3
-28	108	4.5
-26	108	6.3
-24	108	7
-22	108	6.5
-20	108	5.5
-18	108	5.1
-16	108	5.5
-14	108	6.2
-12	108	6.5
-10	108	6.4
-8	108	6
-6	108	5.7
-4	108	5.7
-2	108	5.8
0	108	6
2	108	6.3
4	108	6.6
6	108	6.5
8	108	5.8
10	108	4.8
12	108	3.7
14	108	3.7
16	108	4.7
18	108	5.7
20	108	5.7
22	108	4.5
24	108	2.9
26	108	2.9
28	108	4
30	108	4.2
32	108	3.1
34	108	1.5
36	108	1.3
38	108	2.1
40	108	2.2
42	108	1.8
44	108	1.9
46	108	2
48	108	1.4
50	108	1.1
52	108	2.3
54	108	2.5
56	108	0.8
58	108	-0.1
60	108	1.9
62	108	1.8
64	108	-2.4
66	108	-2.8
68	108	1.3
70	108	0.3
72	108	-7.1
74	108	-1.5
76	108	1.7
78	108	-1.6
80	108	-9.3
82	108	0.3
84	108	1
86	108	-7.7
88	108	-4.4
90	108	1.6
92	108	-0.3
94	108	-10
96	108	-0.5
98	108	1.7
100	108	-2.4
102	108	-4.7
104	108	1
106	108	1
108	108	-2.5
110	108	-0.3
112	108	2.3
114	108	1.5
116	108	-0.1
118	108	1.9
120	108	3.1
122	108	2.1
124	108	1.1
126	108	2.4
128	108	3.1
130	108	2.4
132	108	2.4
134	108	3.6
136	108	3.9
138	108	2.8
140	108	2.3

142	108	4.2
144	108	5.7
146	108	5.6
148	108	4
150	108	3
152	108	4.5
154	108	6.3
156	108	6.9
158	108	6.4
160	108	5.5
162	108	5.1
164	108	5.5
166	108	6.2
168	108	6.5
170	108	6.3
172	108	6
174	108	5.7
176	108	5.6
178	108	5.8
180	108	6
-180	110	5.1
-178	110	5.9
-176	110	6.3
-174	110	6.2
-172	110	5.5
-170	110	4.4
-168	110	3.9
-166	110	4.5
-164	110	5.5
-162	110	6
-160	110	5.6
-158	110	4.3
-156	110	3.5
-154	110	4.1
-152	110	4.8
-150	110	4.5
-148	110	3.2
-146	110	2.3
-144	110	2.6
-142	110	3
-140	110	2.6
-138	110	2.2
-136	110	2.3
-134	110	2.1
-132	110	1.3
-130	110	1.3
-128	110	2.4
-126	110	2.2
-124	110	0.2
-122	110	-0.3
-120	110	1.6
-118	110	1
-116	110	-3.6
-114	110	-2
-112	110	1.6
-110	110	-9.68E-14
-108	110	-7.9
-106	110	-0.9
-104	110	2
-102	110	-1.3
-100	110	-9.9
-98	110	0.1
-96	110	0.9
-94	110	-7.5
-92	110	-4.9
-90	110	1.3
-88	110	-0.4
-86	110	-9.3
-84	110	-0.7
-82	110	1.7
-80	110	-2
-78	110	-4.7
-76	110	1.1
-74	110	1.5
-72	110	-2
-70	110	-0.9
-68	110	2.1
-66	110	1.6
-64	110	-0.4
-62	110	1.2
-60	110	3
-58	110	2.5
-56	110	1.4
-54	110	2.2
-52	110	3
-50	110	2.6
-48	110	2.4
-46	110	3.7
-44	110	4.6
-42	110	3.8
-40	110	2.4
-38	110	3.5
-36	110	5.5
-34	110	6.2
-32	110	5.1
-30	110	3.1
-28	110	3.1
-26	110	4.9
-24	110	6.1
-22	110	6.2
-20	110	5.3
-18	110	4.5
-16	110	4.4
-14	110	5.1
-12	110	5.7
-10	110	5.8
-8	110	5.3
-6	110	4.6
-4	110	4.2
-2	110	4.4
0	110	5.1
2	110	5.9
4	110	6.3
6	110	6.2
8	110	5.5
10	110	4.4
12	110	3.9
14	110	4.5
16	110	5.5
18	110	6
20	110	5.5
22	110	4.3
24	110	3.4
26	110	4
28	110	4.8
30	110	4.6
32	110	3.4
34	110	2.4
36	110	2.6
38	110	3
40	110	2.7
42	110	2.2
44	110	2.2
46	110	2.1
48	110	1.4
50	110	1.4
52	110	2.2
54	110	2

56	110	0.1
58	110	-0.3
60	110	1.4
62	110	0.7
64	110	-3.8
66	110	-2.1
68	110	1.4
70	110	-0.2
72	110	-7.7
74	110	-0.9
76	110	1.9
78	110	-1.5
80	110	-10
82	110	0.1
84	110	1
86	110	-7
88	110	-5.4
90	110	1.1
92	110	-0.5
94	110	-9.8
96	110	-0.8
98	110	1.7
100	110	-2
102	110	-5.2
104	110	1
106	110	1.6
108	110	-1.8
110	110	-1
112	110	2.2
114	110	1.7
116	110	-0.5
118	110	1.1
120	110	3
122	110	2.6
124	110	1.3
126	110	2.1
128	110	3.1
130	110	2.6
132	110	2.3
134	110	3.7
136	110	4.7
138	110	4
140	110	2.5
142	110	3.5
144	110	5.5
146	110	6.2
148	110	5.1
150	110	3
152	110	2.9
154	110	4.9
156	110	6.1
158	110	6.1
160	110	5.3
162	110	4.5
164	110	4.5
166	110	5.2
168	110	5.8
170	110	5.8
172	110	5.2
174	110	4.5
176	110	4.1
178	110	4.4
180	110	5.1
-180	112	4.2
-178	112	4.7
-176	112	5
-174	112	4.7
-172	112	4
-170	112	3.5
-168	112	3.9
-166	112	4.8
-164	112	5.3
-162	112	5.2
-160	112	4.3
-158	112	3.2
-156	112	3.3
-154	112	4.4
-152	112	5
-150	112	4.6
-148	112	3.7
-146	112	3.3
-144	112	3.6
-142	112	3.6
-140	112	2.9
-138	112	2.5
-136	112	2.7
-134	112	2.5
-132	112	1.7
-130	112	1.9
-128	112	2.7
-126	112	2.1
-124	112	0.1
-122	112	0.3
-120	112	1.9
-118	112	0.8
-116	112	-3.3
-114	112	-0.8
-112	112	1.9
-110	112	-0.1
-108	112	-7.1
-106	112	-0.4
-104	112	2.1
-102	112	-1.6
-100	112	-11
-98	112	1.33E-15
-96	112	0.9
-94	112	-6.7
-92	112	-5.9
-90	112	0.9
-88	112	-0.6
-86	112	-10.3
-84	112	-0.9
-82	112	1.9
-80	112	-1.3
-78	112	-6.4
-76	112	0.4
-74	112	1.6
-72	112	-1.5
-70	112	-1.7
-68	112	2
-66	112	2.2
-64	112	-0.1
-62	112	0.3
-60	112	2.5
-58	112	2.5
-56	112	1
-54	112	1.3
-52	112	2.5
-50	112	2.3
-48	112	1.5
-46	112	2.7
-44	112	4.3
-42	112	4.2
-40	112	2.7
-38	112	2.2
-36	112	4.4
-34	112	5.9
-32	112	5.8

-30	112	4
-28	112	1.7
-26	112	2.2
-24	112	4.1
-22	112	5.2
-20	112	5.3
-18	112	4.7
-16	112	4.1
-14	112	4.2
-12	112	4.8
-10	112	5.3
-8	112	5.1
-6	112	4.6
-4	112	4
-2	112	3.8
0	112	4.1
2	112	4.6
4	112	4.9
6	112	4.7
8	112	4
10	112	3.6
12	112	3.9
14	112	4.7
16	112	5.3
18	112	5.1
20	112	4.2
22	112	3.1
24	112	3.2
26	112	4.4
28	112	5
30	112	4.7
32	112	3.7
34	112	3.3
36	112	3.6
38	112	3.6
40	112	3
42	112	2.6
44	112	2.7
46	112	2.5
48	112	1.8
50	112	2
52	112	2.5
54	112	1.9
56	112	0.1
58	112	0.5
60	112	1.8
62	112	0.6
64	112	-3.2
66	112	-0.8
68	112	1.7
70	112	-0.4
72	112	-7.2
74	112	-0.3
76	112	2.1
78	112	-1.5
80	112	-11.1
82	112	-0.1
84	112	0.9
86	112	-6.4
88	112	-6.2
90	112	0.8
92	112	-0.5
94	112	-9.6
96	112	-1
98	112	1.7
100	112	-1.6
102	112	-6.6
104	112	0.6
106	112	1.8
108	112	-1.5
110	112	-1.8
112	112	2
114	112	2.3
116	112	-0.1
118	112	0.2
120	112	2.5
122	112	2.5
124	112	1
126	112	1.3
128	112	2.7
130	112	2.4
132	112	1.4
134	112	2.6
136	112	4.4
138	112	4.4
140	112	2.7
142	112	2.2
144	112	4.4
146	112	5.9
148	112	5.7
150	112	3.8
152	112	1.5
154	112	2.1
156	112	4.1
158	112	5.2
160	112	5.3
162	112	4.7
164	112	4.2
166	112	4.4
168	112	5
170	112	5.3
172	112	5.1
174	112	4.5
176	112	3.9
178	112	3.8
180	112	4.2
-180	114	5.4
-178	114	5.1
-176	114	4.8
-174	114	4.4
-172	114	4.2
-170	114	4.6
-168	114	5.2
-166	114	5.5
-164	114	5.2
-162	114	4
-160	114	2.5
-158	114	1.8
-156	114	2.7
-154	114	3.8
-152	114	4.1
-150	114	3.5
-148	114	2.7
-146	114	2.7
-144	114	3.2
-142	114	3
-140	114	2.4
-138	114	2.4
-136	114	2.7
-134	114	2.3
-132	114	1.6
-130	114	2
-128	114	2.8
-126	114	2
-124	114	0.3
-122	114	1.1
-120	114	2.4
-118	114	0.9

-116	114	-2.7
-114	114	-0.2
-112	114	1.9
-110	114	-0.7
-108	114	-7.3
-106	114	8.97E-14
-104	114	2.2
-102	114	-1.7
-100	114	-11.6
-98	114	4.00E-15
-96	114	1.1
-94	114	-5.9
-92	114	-6.4
-90	114	0.9
-88	114	8.88E-15
-86	114	-9.6
-84	114	-1.7
-82	114	2
-80	114	-0.4
-78	114	-8.1
-76	114	-0.5
-74	114	1.9
-72	114	-0.5
-70	114	-2.4
-68	114	1.6
-66	114	2.9
-64	114	1.1
-62	114	-0.1
-60	114	2.1
-58	114	2.8
-56	114	1.7
-54	114	1.1
-52	114	2.5
-50	114	2.8
-48	114	1.7
-46	114	1.8
-44	114	3.8
-42	114	4.7
-40	114	3.8
-38	114	1.8
-36	114	2.6
-34	114	5.1
-32	114	6.3
-30	114	5.8
-28	114	3.8
-26	114	1.9
-24	114	2.7
-22	114	4.6
-20	114	5.7
-18	114	5.9
-16	114	5.4
-14	114	5
-12	114	5.1
-10	114	5.6
-8	114	6
-6	114	6
-4	114	5.9
-2	114	5.6
0	114	5.3
2	114	5
4	114	4.7
6	114	4.4
8	114	4.3
10	114	4.6
12	114	5.2
14	114	5.5
16	114	5.2
18	114	4.1
20	114	2.7
22	114	1.9
24	114	2.7
26	114	3.8
28	114	4.1
30	114	3.6
32	114	2.8
34	114	2.7
36	114	3.1
38	114	3
40	114	2.5
42	114	2.4
44	114	2.6
46	114	2.2
48	114	1.7
50	114	2.1
52	114	2.6
54	114	1.7
56	114	0.2
58	114	1.1
60	114	2.3
62	114	0.9
64	114	-2.7
66	114	-0.4
68	114	1.8
70	114	-0.6
72	114	-7.2
74	114	-0.1
76	114	2.1
78	114	-1.6
80	114	-11.7
82	114	-0.1
84	114	1
86	114	-5.9
88	114	-6.4
90	114	1
92	114	0.2
94	114	-9.5
96	114	-1.9
98	114	1.9
100	114	-0.4
102	114	-8.2
104	114	-0.4
106	114	1.9
108	114	-0.5
110	114	-2.5
112	114	1.7
114	114	2.9
116	114	1
118	114	-0.3
120	114	2.1
122	114	2.9
124	114	1.6
126	114	0.9
128	114	2.4
130	114	2.8
132	114	1.7
134	114	1.7
136	114	3.8
138	114	4.8
140	114	3.9
142	114	1.8
144	114	2.6
146	114	5.2
148	114	6.3
150	114	5.7
152	114	3.7
154	114	1.8
156	114	2.7
158	114	4.7

160	114	5.8
162	114	6
164	114	5.5
166	114	5
168	114	5.1
170	114	5.6
172	114	5.9
174	114	6
176	114	5.9
178	114	5.7
180	114	5.4
-180	116	5.3
-178	116	4.9
-176	116	4.5
-174	116	4.4
-172	116	4.9
-170	116	5.7
-168	116	6.4
-166	116	6.4
-164	116	5.6
-162	116	4.3
-160	116	3.1
-158	116	3.2
-156	116	3.9
-154	116	4.1
-152	116	3.4
-150	116	2.2
-148	116	1.5
-146	116	1.9
-144	116	2.2
-142	116	1.9
-140	116	1.7
-138	116	2
-136	116	2.2
-134	116	1.6
-132	116	1.2
-130	116	2.2
-128	116	2.8
-126	116	1.6
-124	116	0
-122	116	1.3
-120	116	2.4
-118	116	0.5
-116	116	-3.2
-114	116	-0.2
-112	116	1.7
-110	116	-1.3
-108	116	-8.1
-106	116	0.1
-104	116	2
-102	116	-2.3
-100	116	-10.9
-98	116	0.6
-96	116	1.6
-94	116	-5
-92	116	-6.6
-90	116	1.4
-88	116	1.2
-86	116	-7.1
-84	116	-3
-82	116	2.1
-80	116	1
-78	116	-6.1
-76	116	-1.6
-74	116	2
-72	116	0.6
-70	116	-2.4
-68	116	1
-66	116	3
-64	116	2
-62	116	0.3
-60	116	2.2
-58	116	3.7
-56	116	3.1
-54	116	2
-52	116	2.8
-50	116	3.6
-48	116	2.8
-46	116	1.6
-44	116	3
-42	116	4.9
-40	116	4.9
-38	116	3
-36	116	1.2
-34	116	3.2
-32	116	5.6
-30	116	6.4
-28	116	5.7
-26	116	3.9
-24	116	2.4
-22	116	3.2
-20	116	4.8
-18	116	5.5
-16	116	5.3
-14	116	4.6
-12	116	4
-10	116	4
-8	116	4.5
-6	116	5.1
-4	116	5.5
-2	116	5.5
0	116	5.3
2	116	4.8
4	116	4.4
6	116	4.4
8	116	4.9
10	116	5.7
12	116	6.3
14	116	6.4
16	116	5.7
18	116	4.4
20	116	3.3
22	116	3.3
24	116	3.9
26	116	4.1
28	116	3.5
30	116	2.3
32	116	1.6
34	116	1.8
36	116	2
38	116	1.8
40	116	1.6
42	116	2
44	116	2.2
46	116	1.7
48	116	1.4
50	116	2.3
52	116	2.8
54	116	1.6
56	116	0.1
58	116	1.3
60	116	2.3
62	116	0.5
64	116	-3
66	116	-0.2
68	116	1.6
70	116	-1.4
72	116	-7.8

74	116	1.15E-14
76	116	1.9
78	116	-2.3
80	116	-10.9
82	116	0.3
84	116	1.4
86	116	-5.1
88	116	-6.8
90	116	1.3
92	116	1.1
94	116	-7.4
96	116	-3.1
98	116	2
100	116	0.8
102	116	-6.5
104	116	-1.6
106	116	2
108	116	0.6
110	116	-2.6
112	116	0.9
114	116	3
116	116	1.9
118	116	0.2
120	116	2.2
122	116	3.7
124	116	3
126	116	1.7
128	116	2.7
130	116	3.6
132	116	2.7
134	116	1.5
136	116	3.1
138	116	5
140	116	5.1
142	116	3
144	116	1
146	116	3.1
148	116	5.6
150	116	6.4
152	116	5.7
154	116	3.8
156	116	2.3
158	116	3.2
160	116	4.8
162	116	5.5
164	116	5.3
166	116	4.6
168	116	4
170	116	4.1
172	116	4.6
174	116	5.2
176	116	5.5
178	116	5.6
180	116	5.3
-180	118	4.1
-178	118	3.7
-176	118	3.3
-174	118	3.5
-172	118	4.1
-170	118	5
-168	118	5.5
-166	118	5.4
-164	118	4.6
-162	118	3.7
-160	118	3.5
-158	118	4.3
-156	118	4.9
-154	118	4.7
-152	118	3.6
-150	118	2.5
-148	118	2.3
-146	118	2.6
-144	118	2.4
-142	118	2
-140	118	2.1
-138	118	2.4
-136	118	2.1
-134	118	1.5
-132	118	1.9
-130	118	2.9
-128	118	2.8
-126	118	1
-124	118	-0.1
-122	118	1.6
-120	118	2.2
-118	118	-0.5
-116	118	-4.2
-114	118	-0.1
-112	118	1.3
-110	118	-2.5
-108	118	-7.7
-106	118	0.6
-104	118	2
-102	118	-2.8
-100	118	-9.8
-98	118	0.8
-96	118	1.8
-94	118	-4.6
-92	118	-6.8
-90	118	1.7
-88	118	1.9
-86	118	-4.7
-84	118	-3.7
-82	118	2.2
-80	118	2
-78	118	-3.5
-76	118	-3.1
-74	118	1.5
-72	118	1.2
-70	118	-1.9
-68	118	0.2
-66	118	2.9
-64	118	2.5
-62	118	0.6
-60	118	1.6
-58	118	3.5
-56	118	3.5
-54	118	2.2
-52	118	2.4
-50	118	3.6
-48	118	3.3
-46	118	1.4
-44	118	1.2
-42	118	3.8
-40	118	5.1
-38	118	4.4
-36	118	1.7
-34	118	-0.1
-32	118	2.8
-30	118	5.3
-28	118	6.1
-26	118	5.6
-24	118	4
-22	118	2.6
-20	118	2.9
-18	118	3.9
-16	118	4.4
-14	118	4

-12	118	3.1
-10	118	2.2
-8	118	2.2
-6	118	2.9
-4	118	3.8
-2	118	4.3
0	118	4.2
2	118	3.8
4	118	3.4
6	118	3.5
8	118	4.1
10	118	4.9
12	118	5.5
14	118	5.5
16	118	4.7
18	118	3.8
20	118	3.7
22	118	4.4
24	118	5
26	118	4.7
28	118	3.7
30	118	2.6
32	118	2.3
34	118	2.5
36	118	2.4
38	118	1.9
40	118	1.8
42	118	2.2
44	118	2.1
46	118	1.6
48	118	2
50	118	2.9
52	118	2.8
54	118	1.2
56	118	0.2
58	118	1.8
60	118	2.2
62	118	-0.6
64	118	-4
66	118	0.2
68	118	1.5
70	118	-2.2
72	118	-7.6
74	118	0.4
76	118	1.9
78	118	-2.8
80	118	-9.4
82	118	0.7
84	118	1.7
86	118	-4.7
88	118	-7.1
90	118	1.6
92	118	1.9
94	118	-4.6
96	118	-4.3
98	118	1.9
100	118	1.7
102	118	-3.8
104	118	-2.9
106	118	1.5
108	118	1
110	118	-2.2
112	118	0.2
114	118	2.9
116	118	2.5
118	118	0.5
120	118	1.7
122	118	3.6
124	118	3.5
126	118	2.1
128	118	2.4
130	118	3.7
132	118	3.4
134	118	1.5
136	118	1.3
138	118	3.8
140	118	5.1
142	118	4.3
144	118	1.5
146	118	-0.4
148	118	2.7
150	118	5.3
152	118	6.2
154	118	5.6
156	118	4
158	118	2.6
160	118	2.8
162	118	3.8
164	118	4.3
166	118	4
168	118	3.1
170	118	2.4
172	118	2.3
174	118	2.9
176	118	3.7
178	118	4.1
180	118	4.1
-180	120	4.4
-178	120	4.5
-176	120	4.6
-174	120	4.8
-172	120	4.8
-170	120	4.5
-168	120	3.8
-166	120	2.7
-164	120	1.5
-162	120	1.3
-160	120	2.6
-158	120	3.9
-156	120	4.5
-154	120	4.1
-152	120	3.2
-150	120	2.7
-148	120	3
-146	120	3.2
-144	120	3
-142	120	2.8
-140	120	2.8
-138	120	2.8
-136	120	2.3
-134	120	2
-132	120	2.7
-130	120	3.2
-128	120	2.3
-126	120	0.1
-124	120	0.3
-122	120	2.2
-120	120	1.9
-118	120	-2
-116	120	-4
-114	120	0.6
-112	120	1.2
-110	120	-3.9
-108	120	-6.5
-106	120	1.2
-104	120	2.2
-102	120	-2.8
-100	120	-9.1

-98	120	0.8
-96	120	1.7
-94	120	-4.5
-92	120	-7.4
-90	120	1.6
-88	120	2.2
-86	120	-3.1
-84	120	-4.5
-82	120	1.8
-80	120	2.3
-78	120	-2.2
-76	120	-3.7
-74	120	1.2
-72	120	1.5
-70	120	-1.6
-68	120	-0.9
-66	120	2.5
-64	120	2.9
-62	120	0.7
-60	120	0.2
-58	120	2.5
-56	120	3.1
-54	120	1.8
-52	120	1.1
-50	120	2.8
-48	120	3.7
-46	120	2.5
-44	120	0.1
-42	120	1.3
-40	120	4.2
-38	120	5.2
-36	120	4.3
-34	120	1.6
-32	120	4.44E+16
-30	120	3
-28	120	5.6
-26	120	6.5
-24	120	6.1
-22	120	4.9
-20	120	3.8
-18	120	3.7
-16	120	4.2
-14	120	4.6
-12	120	4.5
-10	120	4.1
-8	120	3.7
-6	120	3.6
-4	120	3.9
-2	120	4.3
0	120	4.5
2	120	4.6
4	120	4.7
6	120	4.9
8	120	4.9
10	120	4.5
12	120	3.9
14	120	2.8
16	120	1.7
18	120	1.6
20	120	2.8
22	120	4
24	120	4.5
26	120	4
28	120	3.1
30	120	2.6
32	120	2.9
34	120	3.2
36	120	3
38	120	2.7
40	120	2.8
42	120	2.7
44	120	2.3
46	120	2.1
48	120	2.7
50	120	3.2
52	120	2.3
54	120	0.3
56	120	0.5
58	120	2.2
60	120	1.9
62	120	-1.9
64	120	-3.9
66	120	0.6
68	120	1.3
70	120	-3.5
72	120	-6.1
74	120	1.2
76	120	2.1
78	120	-2.8
80	120	-8.6
82	120	0.8
84	120	1.7
86	120	-4.4
88	120	-7.7
90	120	1.4
92	120	2.1
94	120	-3.3
96	120	-4.7
98	120	1.7
100	120	2.1
102	120	-2.3
104	120	-3.6
106	120	1.2
108	120	1.5
110	120	-1.8
112	120	-0.9
114	120	2.5
116	120	2.8
118	120	0.6
120	120	0.2
122	120	2.6
124	120	3.1
126	120	1.7
128	120	1.1
130	120	3
132	120	3.9
134	120	2.6
136	120	-1.02E+14
138	120	1.2
140	120	4.2
142	120	5.3
144	120	4.4
146	120	1.5
148	120	-0.1
150	120	3
152	120	5.6
154	120	6.6
156	120	6.2
158	120	4.9
160	120	3.6
162	120	3.5
164	120	4.1
166	120	4.5
168	120	4.5
170	120	4.1
172	120	3.7
174	120	3.6
176	120	3.8

178	120	4.2
180	120	4.4
-180	122	4
-178	122	4.8
-176	122	5.6
-174	122	6.1
-172	122	6
-170	122	5.2
-168	122	3.8
-166	122	2.2
-164	122	1.8
-162	122	2.6
-160	122	3.6
-158	122	4
-156	122	3.6
-154	122	2.6
-152	122	1.8
-150	122	2.1
-148	122	2.8
-146	122	3.1
-144	122	3
-142	122	2.8
-140	122	2.8
-138	122	2.6
-136	122	2.3
-134	122	2.4
-132	122	3
-130	122	2.8
-128	122	1.3
-126	122	-0.2
-124	122	1.1
-122	122	2.3
-120	122	0.9
-118	122	-3.9
-116	122	-2.7
-114	122	1.4
-112	122	1
-110	122	-5
-108	122	-4.6
-106	122	1.8
-104	122	2.3
-102	122	-2.9
-100	122	-9.3
-98	122	0.5
-96	122	1.5
-94	122	-4.2
-92	122	-8.7
-90	122	1
-88	122	1.9
-86	122	-2.8
-84	122	-5.2
-82	122	1.5
-80	122	2.4
-78	122	-1.2
-76	122	-3.8
-74	122	1.1
-72	122	2.1
-70	122	-0.8
-68	122	-2.5
-66	122	1.6
-64	122	3
-62	122	1.5
-60	122	-0.5
-58	122	1.5
-56	122	3.1
-54	122	2.4
-52	122	0.5
-50	122	1.5
-48	122	3.6
-46	122	3.9
-44	122	2
-42	122	-8.88E+16
-40	122	2.4
-38	122	5.1
-36	122	5.9
-34	122	4.8
-32	122	2.1
-30	122	0.7
-28	122	3.2
-26	122	5.5
-24	122	6.2
-22	122	5.9
-20	122	4.8
-18	122	3.7
-16	122	3.4
-14	122	4
-12	122	4.6
-10	122	4.9
-8	122	4.8
-6	122	4.3
-4	122	3.8
-2	122	3.7
0	122	4.1
2	122	4.8
4	122	5.7
6	122	6.2
8	122	6.1
10	122	5.3
12	122	3.8
14	122	2.2
16	122	1.7
18	122	2.6
20	122	3.7
22	122	4.1
24	122	3.6
26	122	2.5
28	122	1.7
30	122	1.9
32	122	2.7
34	122	3
36	122	2.8
38	122	2.7
40	122	2.8
42	122	2.6
44	122	2.2
46	122	2.4
48	122	3
50	122	2.8
52	122	1.3
54	122	-0.1
56	122	1.3
58	122	2.5
60	122	1.1
62	122	-3.7
64	122	-2.5
66	122	1.4
68	122	1.1
70	122	-4.8
72	122	-4.3
74	122	1.8
76	122	2.3
78	122	-3
80	122	-9.1
82	122	0.6
84	122	1.5
86	122	-4.4
88	122	-8.6
90	122	1

92	122	1.9
94	122	-3
96	122	-5
98	122	1.5
100	122	2.4
102	122	-1.3
104	122	-3.7
106	122	1.2
108	122	2.1
110	122	-0.9
112	122	-2.5
114	122	1.6
116	122	2.9
118	122	1.3
120	122	-0.6
122	122	1.5
124	122	3.1
126	122	2.3
128	122	0.5
130	122	1.5
132	122	3.6
134	122	3.9
136	122	2.1
138	122	0.1
140	122	2.6
142	122	5.2
144	122	6
146	122	4.8
148	122	2
150	122	0.6
152	122	3.3
154	122	5.4
156	122	6.2
158	122	5.7
160	122	4.6
162	122	3.6
164	122	3.4
166	122	4
168	122	4.7
170	122	5
172	122	4.8
174	122	4.3
176	122	3.8
178	122	3.6
180	122	4
-180	124	3.8
-178	124	4.1
-176	124	4.6
-174	124	4.9
-172	124	4.7
-170	124	3.9
-168	124	3
-166	124	3.1
-164	124	4.2
-162	124	5
-160	124	5.2
-158	124	4.5
-156	124	3.1
-154	124	1.8
-152	124	1.8
-150	124	2.6
-148	124	3.1
-146	124	2.9
-144	124	2.3
-142	124	2
-140	124	2.1
-138	124	2.1
-136	124	2.1
-134	124	2.5
-132	124	2.8
-130	124	2.1
-128	124	0.6
-126	124	0.4
-124	124	1.8
-122	124	2.1
-120	124	-0.5
-118	124	-5
-116	124	-0.9
-114	124	1.9
-112	124	0.6
-110	124	-6.3
-108	124	-2.6
-106	124	2.4
-104	124	2.3
-102	124	-3.5
-100	124	-9.8
-98	124	0.5
-96	124	1.5
-94	124	-3.8
-92	124	-9.7
-90	124	0.6
-88	124	1.8
-86	124	-2.7
-84	124	-6.7
-82	124	1.2
-80	124	2.8
-78	124	-0.1
-76	124	-4.4
-74	124	0.7
-72	124	2.8
-70	124	0.9
-68	124	-3.1
-66	124	0.3
-64	124	3.1
-62	124	2.7
-60	124	0.3
-58	124	0.5
-56	124	2.9
-54	124	3.4
-52	124	1.7
-50	124	0.4
-48	124	2.4
-46	124	4
-44	124	3.5
-42	124	1.1
-40	124	0.1
-38	124	3.1
-36	124	5.3
-34	124	5.7
-32	124	4.3
-30	124	1.1
-28	124	-1.5
-26	124	0.9
-24	124	3.5
-22	124	4.8
-20	124	5.1
-18	124	4.8
-16	124	4.4
-14	124	4.4
-12	124	4.9
-10	124	5.4
-8	124	5.6
-6	124	5.3
-4	124	4.7
-2	124	4.1
0	124	3.8
2	124	4.1
4	124	4.6

6	124	4.9
8	124	4.7
10	124	4
12	124	3.1
14	124	3.1
16	124	4.1
18	124	5
20	124	5.2
22	124	4.6
24	124	3.1
26	124	1.8
28	124	1.7
30	124	2.4
32	124	2.9
34	124	2.7
36	124	2.2
38	124	1.9
40	124	2
42	124	2
44	124	2
46	124	2.4
48	124	2.7
50	124	2.1
52	124	0.6
54	124	0.4
56	124	1.9
58	124	2.2
60	124	-0.3
62	124	-4.9
64	124	-0.8
66	124	2
68	124	0.8
70	124	-6
72	124	-2.6
74	124	2.4
76	124	2.3
78	124	-3.6
80	124	-9.3
82	124	0.6
84	124	1.5
86	124	-4
88	124	-9.4
90	124	0.6
92	124	1.7
94	124	-3
96	124	-6.3
98	124	1.4
100	124	2.8
102	124	-0.1
104	124	-4.5
106	124	0.7
108	124	2.7
110	124	0.8
112	124	-3.3
114	124	0.2
116	124	3
118	124	2.6
120	124	0.2
122	124	0.4
124	124	2.8
126	124	3.3
128	124	1.7
130	124	0.3
132	124	2.3
134	124	4
136	124	3.6
138	124	1.2
140	124	0.3
142	124	3.3
144	124	5.5
146	124	5.9
148	124	4.4
150	124	1.2
152	124	-1.3
154	124	0.9
156	124	3.5
158	124	4.8
160	124	5.1
162	124	4.8
164	124	4.5
166	124	4.5
168	124	5
170	124	5.5
172	124	5.6
174	124	5.3
176	124	4.7
178	124	4.1
180	124	3.8
-180	126	5.4
-178	126	4.8
-176	126	3.8
-174	126	2.5
-172	126	1.3
-170	126	0.9
-168	126	1.8
-166	126	3.4
-164	126	4.7
-162	126	5.2
-160	126	4.7
-158	126	3.5
-156	126	2.2
-154	126	2.1
-152	126	3
-150	126	3.6
-148	126	3.3
-146	126	2.3
-144	126	1.6
-142	126	1.7
-140	126	2.1
-138	126	2.2
-136	126	2.2
-134	126	2.3
-132	126	2.2
-130	126	1.4
-128	126	0.6
-126	126	1.2
-124	126	2.2
-122	126	1.5
-120	126	-1.8
-118	126	-3.5
-116	126	0.6
-114	126	2.2
-112	126	-0.1
-110	126	-7.2
-108	126	-1.1
-106	126	2.8
-104	126	2.1
-102	126	-4.7
-100	126	-8.5
-98	126	0.8
-96	126	1.6
-94	126	-3.7
-92	126	-9.8
-90	126	0.5
-88	126	2
-86	126	-1.9
-84	126	-9.2
-82	126	0.6

-80	126	3.1
-78	126	1
-76	126	-4.9
-74	126	-0.5
-72	126	2.9
-70	126	2.3
-68	126	-1.5
-66	126	-1.1
-64	126	2.7
-62	126	3.5
-60	126	1.7
-58	126	-0.3
-56	126	1.7
-54	126	3.4
-52	126	2.9
-50	126	0.7
-48	126	0.5
-46	126	2.9
-44	126	3.9
-42	126	2.8
-40	126	-0.3
-38	126	-1
-36	126	2.6
-34	126	5
-32	126	5.6
-30	126	4.8
-28	126	2.6
-26	126	-0.1
-24	126	0.3
-22	126	2.9
-20	126	4.8
-18	126	5.5
-16	126	5.5
-14	126	5
-12	126	4.7
-10	126	4.8
-8	126	5.1
-6	126	5.4
-4	126	5.6
-2	126	5.7
0	126	5.4
2	126	4.7
4	126	3.7
6	126	2.5
8	126	1.3
10	126	0.9
12	126	1.9
14	126	3.5
16	126	4.8
18	126	5.2
20	126	4.8
22	126	3.5
24	126	2.2
26	126	2.1
28	126	3
30	126	3.6
32	126	3.3
34	126	2.3
36	126	1.4
38	126	1.5
40	126	1.9
42	126	2.1
44	126	2.2
46	126	2.2
48	126	2.1
50	126	1.4
52	126	0.7
54	126	1.2
56	126	2.1
58	126	1.3
60	126	-2.1
62	126	-3.5
64	126	0.7
66	126	2.2
68	126	-0.1
70	126	-7.1
72	126	-1.3
74	126	2.6
76	126	2
78	126	-5
80	126	-7.9
82	126	0.9
84	126	1.7
86	126	-3.7
88	126	-9.9
90	126	0.5
92	126	2
94	126	-2.1
96	126	-8.6
98	126	0.8
100	126	3.1
102	126	0.9
104	126	-5.1
106	126	-0.4
108	126	3
110	126	2.3
112	126	-1.7
114	126	-1.2
116	126	2.7
118	126	3.6
120	126	1.7
122	126	-0.4
124	126	1.5
126	126	3.3
128	126	2.8
130	126	0.6
132	126	0.5
134	126	2.9
136	126	4
138	126	2.9
140	126	1.69E-14
142	126	-0.7
144	126	2.8
146	126	5.2
148	126	5.8
150	126	5
152	126	2.8
154	126	0.1
156	126	0.3
158	126	2.9
160	126	4.7
162	126	5.5
164	126	5.5
166	126	5.1
168	126	4.8
170	126	4.8
172	126	5.1
174	126	5.4
176	126	5.7
178	126	5.7
180	126	5.4
-180	128	4.4
-178	128	3.9
-176	128	3
-174	128	2.1
-172	128	2
-170	128	2.8
-168	128	3.8

-166	128	4.5
-164	128	4.5
-162	128	3.8
-160	128	2.4
-158	128	1.1
-156	128	1.4
-154	128	2.7
-152	128	3.5
-150	128	3.4
-148	128	2.4
-146	128	1.4
-144	128	1.4
-142	128	2.2
-140	128	2.6
-138	128	2.4
-136	128	2.2
-134	128	2
-132	128	1.7
-130	128	1.1
-128	128	0.9
-126	128	1.6
-124	128	1.9
-122	128	0.4
-120	128	-2.8
-118	128	-1.7
-116	128	1.5
-114	128	1.8
-112	128	-1.7
-110	128	-7.2
-108	128	8.79E-14
-106	128	2.9
-104	128	1.5
-102	128	-7
-100	128	-6.1
-98	128	1.4
-96	128	1.9
-94	128	-3.4
-92	128	-10.1
-90	128	0.7
-88	128	2.6
-86	128	-0.5
-84	128	-11.2
-82	128	-0.6
-80	128	2.9
-78	128	1.8
-76	128	-4.1
-74	128	-2.7
-72	128	2.3
-70	128	2.9
-68	128	0.2
-66	128	-2.4
-64	128	1.5
-62	128	3.6
-60	128	3
-58	128	0.6
-56	128	0.4
-54	128	2.5
-52	128	3.2
-50	128	1.8
-48	128	-0.4
-46	128	1
-44	128	3.4
-42	128	4.2
-40	128	2.9
-38	128	-0.3
-36	128	-1.2
-34	128	2.6
-32	128	5.3
-30	128	6.4
-28	128	6
-26	128	4.4
-24	128	2
-22	128	0.6
-20	128	1.5
-18	128	2.7
-16	128	2.9
-14	128	2.4
-12	128	1.4
-10	128	0.7
-8	128	0.9
-6	128	1.9
-4	128	3.2
-2	128	4.1
0	128	4.4
2	128	3.9
4	128	3
6	128	2.1
8	128	2
10	128	2.9
12	128	3.9
14	128	4.5
16	128	4.5
18	128	3.7
20	128	2.3
22	128	1
24	128	1.3
26	128	2.6
28	128	3.5
30	128	3.4
32	128	2.4
34	128	1.3
36	128	1.2
38	128	2
40	128	2.5
42	128	2.5
44	128	2.3
46	128	2.1
48	128	1.7
50	128	1.2
52	128	1.1
54	128	1.8
56	128	1.9
58	128	0.3
60	128	-2.9
62	128	-1.6
64	128	1.6
66	128	2
68	128	-1.4
70	128	-7.1
72	128	-0.2
74	128	2.7
76	128	1.3
78	128	-7.3
80	128	-5.8
82	128	1.5
84	128	2
86	128	-3.3
88	128	-10.2
90	128	0.7
92	128	2.6
94	128	-0.5
96	128	-10.5
98	128	-0.5
100	128	2.9
102	128	1.8
104	128	-4.1
106	128	-2.6
108	128	2.3

110	128	2.9
112	128	0.2
114	128	-2.4
116	128	1.5
118	128	3.6
120	128	2.9
122	128	0.5
124	128	0.3
126	128	2.5
128	128	3.2
130	128	1.7
132	128	-0.6
134	128	0.9
136	128	3.5
138	128	4.3
140	128	3.1
142	128	-0.1
144	128	-1.3
146	128	2.6
148	128	5.4
150	128	6.5
152	128	6.1
154	128	4.5
156	128	2
158	128	0.5
160	128	1.4
162	128	2.6
164	128	2.9
166	128	2.3
168	128	1.4
170	128	0.7
172	128	0.9
174	128	2
176	128	3.2
178	128	4.1
180	128	4.4
-180	130	0.9
-178	130	1
-176	130	1.8
-174	130	3
-172	130	4.2
-170	130	5
-168	130	5.2
-166	130	4.6
-164	130	3.3
-162	130	1.4
-160	130	0.2
-158	130	0.9
-156	130	2.3
-154	130	3.1
-152	130	2.9
-150	130	1.8
-148	130	0.7
-146	130	0.8
-144	130	1.9
-142	130	2.6
-140	130	2.6
-138	130	2.3
-136	130	2.1
-134	130	2.1
-132	130	1.9
-130	130	1.3
-128	130	1.2
-126	130	1.5
-124	130	1.1
-122	130	-1
-120	130	-3.2
-118	130	-0.7
-116	130	1.5
-114	130	0.9
-112	130	-3.9
-110	130	-6.1
-108	130	0.6
-106	130	2.6
-104	130	0.4
-102	130	-11.3
-100	130	-4
-98	130	1.9
-96	130	2.1
-94	130	-3.3
-92	130	-10.7
-90	130	0.8
-88	130	3.1
-86	130	0.8
-84	130	-9.2
-82	130	-2.7
-80	130	2.4
-78	130	2.4
-76	130	-2
-74	130	-5.8
-72	130	0.6
-70	130	2.7
-68	130	1.2
-66	130	-2.6
-64	130	-0.6
-62	130	2.8
-60	130	3.5
-58	130	2
-56	130	0.2
-54	130	1.5
-52	130	3.2
-50	130	3.1
-48	130	1.1
-46	130	-1.1
-44	130	1.2
-42	130	3.8
-40	130	4.5
-38	130	3.3
-36	130	8.88E-16
-34	130	-2.2
-32	130	1.4
-30	130	4.4
-28	130	5.7
-26	130	5.7
-24	130	4.6
-22	130	2.7
-20	130	0.9
-18	130	0.3
-16	130	1.2
-14	130	2.5
-12	130	3.4
-10	130	3.7
-8	130	3.4
-6	130	2.7
-4	130	1.8
-2	130	1.3
0	130	1.1
2	130	1.2
4	130	1.9
6	130	3.1
8	130	4.3
10	130	5.1
12	130	5.2
14	130	4.7
16	130	3.3
18	130	1.4
20	130	0.1
22	130	0.8

24	130	2.2
26	130	3
28	130	2.9
30	130	1.8
32	130	0.6
34	130	0.8
36	130	1.9
38	130	2.7
40	130	2.7
42	130	2.3
44	130	2.1
46	130	2.1
48	130	1.8
50	130	1.4
52	130	1.3
54	130	1.6
56	130	1.2
58	130	-0.9
60	130	-3
62	130	-0.6
64	130	1.6
66	130	1
68	130	-3.5
70	130	-5.8
72	130	0.6
74	130	2.6
76	130	0.4
78	130	-11.1
80	130	-4
82	130	2
84	130	2.1
86	130	-3.2
88	130	-11
90	130	0.8
92	130	3.1
94	130	0.9
96	130	-8.7
98	130	-2.6
100	130	2.3
102	130	2.3
104	130	-2.1
106	130	-5.8
108	130	0.8
110	130	2.8
112	130	1.3
114	130	-2.6
116	130	-0.7
118	130	2.7
120	130	3.4
122	130	1.9
124	130	0.3
126	130	1.7
128	130	3.3
130	130	3.1
132	130	0.9
134	130	-1.2
136	130	1.3
138	130	3.9
140	130	4.6
142	130	3.4
144	130	0.1
146	130	-2.2
148	130	1.5
150	130	4.5
152	130	5.8
154	130	5.7
156	130	4.6
158	130	2.7
160	130	0.8
162	130	0.3
164	130	1.2
166	130	2.5
168	130	3.4
170	130	3.8
172	130	3.5
174	130	2.7
176	130	1.8
178	130	1.1
180	130	0.9
-180	132	3.2
-178	132	3.3
-176	132	3.8
-174	132	4.3
-172	132	4.6
-170	132	4.4
-168	132	3.4
-166	132	1.8
-164	132	-1.55E+14
-162	132	-0.1
-160	132	1.4
-158	132	2.8
-156	132	3.4
-154	132	2.9
-152	132	1.6
-150	132	0.2
-148	132	0.4
-146	132	1.7
-144	132	2.7
-142	132	2.8
-140	132	2.5
-138	132	2.2
-136	132	2.3
-134	132	2.4
-132	132	2
-130	132	1.4
-128	132	1.2
-126	132	1.1
-124	132	0.2
-122	132	-2.1
-120	132	-2.6
-118	132	-0.1
-116	132	1.2
-114	132	-0.4
-112	132	-6
-110	132	-4.1
-108	132	1
-106	132	2.1
-104	132	-1.1
-102	132	-19.7
-100	132	-2.4
-98	132	2.3
-96	132	2.2
-94	132	-3.2
-92	132	-11.1
-90	132	0.8
-88	132	3.3
-86	132	1.7
-84	132	-6.1
-82	132	-4.8
-80	132	1.9
-78	132	3
-76	132	0.2
-74	132	-6.9
-72	132	-1.8
-70	132	2
-68	132	1.9
-66	132	-1.2
-64	132	-3.1

-62	132	1
-60	132	3
-58	132	2.7
-56	132	0.7
-54	132	0.3
-52	132	2.5
-50	132	3.8
-48	132	3.2
-46	132	0.5
-44	132	-1.9
-42	132	0.8
-40	132	3.5
-38	132	4.4
-36	132	3.4
-34	132	0.5
-32	132	-4.2
-30	132	-2.7
-28	132	1.6
-26	132	4.1
-24	132	5.3
-22	132	5.5
-20	132	5.2
-18	132	4.6
-16	132	4.4
-14	132	4.8
-12	132	5.5
-10	132	6
-8	132	5.9
-6	132	5.4
-4	132	4.5
-2	132	3.7
0	132	3.2
2	132	3.3
4	132	3.7
6	132	4.3
8	132	4.6
10	132	4.4
12	132	3.5
14	132	2
16	132	0.3
18	132	0.1
20	132	1.5
22	132	2.9
24	132	3.4
26	132	2.9
28	132	1.6
30	132	0.2
32	132	0.5
34	132	1.9
36	132	2.8
38	132	3
40	132	2.6
42	132	2.2
44	132	2.2
46	132	2.3
48	132	2
50	132	1.5
52	132	1.3
54	132	1.1
56	132	0.1
58	132	-2.1
60	132	-2.5
62	132	-7.555
64	132	1.2
66	132	-0.4
68	132	-5.7
70	132	-4
72	132	1
74	132	2.1
76	132	-1
78	132	-18.4
80	132	-2.5
82	132	2.3
84	132	2.2
86	132	-3.2
88	132	-11.4
90	132	0.7
92	132	3.3
94	132	1.7
96	132	-6.1
98	132	-4.8
100	132	1.9
102	132	2.9
104	132	0.2
106	132	-6.6
108	132	-1.6
110	132	2
112	132	1.9
114	132	-1.4
116	132	-3.2
118	132	0.9
120	132	3
122	132	2.6
124	132	0.6
126	132	0.3
128	132	2.5
130	132	3.8
132	132	3.2
134	132	0.5
136	132	-1.9
138	132	0.8
140	132	3.6
142	132	4.5
144	132	3.6
146	132	0.7
148	132	-3.9
150	132	-2.6
152	132	1.7
154	132	4.2
156	132	5.3
158	132	5.6
160	132	5.2
162	132	4.6
164	132	4.3
166	132	4.7
168	132	5.5
170	132	6
172	132	6
174	132	5.5
176	132	4.6
178	132	3.7
180	132	3.2
-180	134	4.8
-178	134	4.9
-176	134	4.5
-174	134	3.7
-172	134	2.4
-170	134	0.7
-168	134	-1
-166	134	-1.1
-164	134	0.7
-162	134	2.5
-160	134	3.5
-158	134	3.6
-156	134	2.8
-154	134	1.3
-152	134	0.2
-150	134	0.8

-148	134	2.3
-146	134	3.3
-144	134	3.4
-142	134	2.9
-140	134	2.3
-138	134	2.2
-136	134	2.4
-134	134	2.3
-132	134	1.7
-130	134	1.1
-128	134	0.9
-126	134	0.5
-124	134	-0.9
-122	134	-2.6
-120	134	-1.6
-118	134	0.4
-116	134	0.7
-114	134	-1.9
-112	134	-6.6
-110	134	-2.1
-108	134	1.5
-106	134	1.5
-104	134	-2.8
-102	134	-17.7
-100	134	-0.8
-98	134	2.9
-96	134	2.5
-94	134	-2.8
-92	134	-12.6
-90	134	0.6
-88	134	3.5
-86	134	2.5
-84	134	-3.3
-82	134	-7.2
-80	134	1.1
-78	134	3.3
-76	134	1.9
-74	134	-3.6
-72	134	-4.6
-70	134	0.9
-68	134	2.3
-66	134	0.7
-64	134	-3.3
-62	134	-1.8
-60	134	1.7
-58	134	2.7
-56	134	1.4
-54	134	-0.9
-52	134	0.1
-50	134	2.8
-48	134	3.9
-46	134	3.2
-44	134	0.5
-42	134	-2.2
-40	134	0.1
-38	134	3.2
-36	134	4.6
-34	134	4.6
-32	134	3.1
-30	134	0.1
-28	134	-2.8
-26	134	-0.7
-24	134	2.6
-22	134	4.5
-20	134	5.2
-18	134	5.1
-16	134	4.3
-14	134	3.4
-12	134	2.7
-10	134	2.6
-8	134	2.8
-6	134	3.2
-4	134	3.7
-2	134	4.3
0	134	4.7
2	134	4.9
4	134	4.6
6	134	3.8
8	134	2.5
10	134	0.7
12	134	-1
14	134	-1
16	134	0.7
18	134	2.5
20	134	3.6
22	134	3.7
24	134	2.9
26	134	1.4
28	134	0.3
30	134	0.8
32	134	2.3
34	134	3.3
36	134	3.5
38	134	2.9
40	134	2.3
42	134	2.1
44	134	2.3
46	134	2.2
48	134	1.7
50	134	1.2
52	134	0.9
54	134	0.4
56	134	-1
58	134	-2.5
60	134	-1.5
62	134	0.4
64	134	0.6
66	134	-2
68	134	-6.3
70	134	-1.9
72	134	1.5
74	134	1.5
76	134	-2.8
78	134	-16.1
80	134	-0.8
82	134	2.9
84	134	2.5
86	134	-2.7
88	134	-12.7
90	134	0.6
92	134	3.5
94	134	2.5
96	134	-3.4
98	134	-7
100	134	1.3
102	134	3.4
104	134	1.9
106	134	-3.6
108	134	-4.6
110	134	0.9
112	134	2.3
114	134	0.6
116	134	-3.6
118	134	-1.9
120	134	1.7
122	134	2.7
124	134	1.3
126	134	-1.1

128	134	0.1
130	134	2.8
132	134	4
134	134	3.2
136	134	0.5
138	134	-2.2
140	134	0.3
142	134	3.4
144	134	4.8
146	134	4.7
148	134	3.2
150	134	-2.66E-14
152	134	-3.2
154	134	-0.8
156	134	2.5
158	134	4.5
160	134	5.2
162	134	5
164	134	4.2
166	134	3.2
168	134	2.6
170	134	2.5
172	134	2.8
174	134	3.3
176	134	3.8
178	134	4.4
180	134	4.8
-180	136	3.5
-178	136	3
-176	136	1.9
-174	136	0.3
-172	136	-0.7
-170	136	-4.44E-16
-168	136	1.7
-166	136	3.2
-164	136	4.1
-162	136	4.2
-160	136	3.6
-158	136	2.2
-156	136	0.3
-154	136	-0.4
-152	136	1
-150	136	2.7
-148	136	3.7
-146	136	3.8
-144	136	3.1
-142	136	2.2
-140	136	1.8
-138	136	2.1
-136	136	2.2
-134	136	1.8
-132	136	1.1
-130	136	0.6
-128	136	0.4
-126	136	-0.2
-124	136	-1.7
-122	136	-2.3
-120	136	-0.7
-118	136	0.6
-116	136	0
-114	136	-2.9
-112	136	-4.6
-110	136	-0.5
-108	136	1.8
-106	136	1
-104	136	-4.3
-102	136	-10
-100	136	0.2
-98	136	3.2
-96	136	2.6
-94	136	-2.8
-92	136	-14.2
-90	136	0.5
-88	136	3.8
-86	136	3.3
-84	136	-1.1
-82	136	-9.3
-80	136	-0.1
-78	136	3.3
-76	136	3
-74	136	-0.5
-72	136	-5.9
-70	136	-1
-68	136	2.1
-66	136	2
-64	136	-0.9
-62	136	-4.3
-60	136	-0.8
-58	136	2
-56	136	2.3
-54	136	0.4
-52	136	-2
-50	136	-0.3
-48	136	2.6
-46	136	3.8
-44	136	3.3
-42	136	0.9
-40	136	-2.2
-38	136	-0.6
-36	136	3
-34	136	5.1
-32	136	5.8
-30	136	5.3
-28	136	3.6
-26	136	0.9
-24	136	-1.5
-22	136	-0.9
-20	136	1.1
-18	136	2.4
-16	136	2.9
-14	136	2.8
-12	136	2.4
-10	136	2.1
-8	136	2
-6	136	2.3
-4	136	2.9
-2	136	3.4
0	136	3.5
2	136	3
4	136	1.9
6	136	0.3
8	136	-0.8
10	136	-0.1
12	136	1.6
14	136	3.1
16	136	4
18	136	4.1
20	136	3.5
22	136	2.1
24	136	0.3
26	136	-0.4
28	136	1
30	136	2.7
32	136	3.7
34	136	3.8
36	136	3.1
38	136	2.2
40	136	1.8

42	136	2
44	136	2.1
46	136	1.8
48	136	1.1
50	136	0.6
52	136	0.2
54	136	-0.6
56	136	-1.8
58	136	-2.1
60	136	-0.5
62	136	0.6
64	136	-0.1
66	136	-3.2
68	136	-4.5
70	136	-0.3
72	136	1.9
74	136	1.1
76	136	-4.3
78	136	-9.8
80	136	0.3
82	136	3.3
84	136	2.7
86	136	-2.6
88	136	-14.5
90	136	0.5
92	136	3.8
94	136	3.4
96	136	-0.9
98	136	-9.2
100	136	-0.1
102	136	3.2
104	136	2.9
106	136	-0.7
108	136	-6.2
110	136	-0.9
112	136	2.2
114	136	2
116	136	-1.1
118	136	-4.5
120	136	-0.8
122	136	2
124	136	2.3
126	136	0.4
128	136	-2.1
130	136	-0.3
132	136	2.6
134	136	3.8
136	136	3.2
138	136	0.8
140	136	-2.2
142	136	-0.4
144	136	3.1
146	136	5.1
148	136	5.8
150	136	5.2
152	136	3.5
154	136	0.8
156	136	-1.7
158	136	-1
160	136	1
162	136	2.3
164	136	2.9
166	136	2.8
168	136	2.5
170	136	2.2
172	136	2.2
174	136	2.5
176	136	3
178	136	3.4
180	136	3.5
-180	138	0.3
-178	138	-0.3
-176	138	4.88E-15
-174	138	1.4
-172	138	3
-170	138	4.2
-168	138	4.8
-166	138	4.8
-164	138	4.1
-162	138	2.6
-160	138	0.5
-158	138	-1.3
-156	138	-0.7
-154	138	1.4
-152	138	2.9
-150	138	3.6
-148	138	3.3
-146	138	2.2
-144	138	1
-142	138	0.8
-140	138	1.5
-138	138	2.1
-136	138	1.9
-134	138	1
-132	138	-2.13E-14
-130	138	-0.5
-128	138	-0.5
-126	138	-1.1
-124	138	-1.9
-122	138	-1.5
-120	138	-0.1
-118	138	0.4
-116	138	-0.7
-114	138	-3.1
-112	138	-2.4
-110	138	0.7
-108	138	2
-106	138	0.6
-104	138	-5.1
-102	138	-6.8
-100	138	0.7
-98	138	3.2
-96	138	2.5
-94	138	-2.7
-92	138	-16.6
-90	138	1.33E-15
-88	138	3.7
-86	138	3.8
-84	138	0.5
-82	138	-8.1
-80	138	-2
-78	138	2.7
-76	138	3.6
-74	138	1.6
-72	138	-3.5
-70	138	-3.5
-68	138	1
-66	138	2.5
-64	138	1.3
-62	138	-2.4
-60	138	-3.9
-58	138	0
-56	138	2.2
-54	138	2.2
-52	138	0.2
-50	138	-2.2
-48	138	-0.7
-46	138	2.2

-44	138	3.6
-42	138	3.2
-40	138	1.1
-38	138	-2.8
-36	138	-3.1
-34	138	1.3
-32	138	4.3
-30	138	5.7
-28	138	6.1
-26	138	5.5
-24	138	4.2
-22	138	2.4
-20	138	0.9
-18	138	0.9
-16	138	1.9
-14	138	3
-12	138	3.8
-10	138	4
-8	138	3.8
-6	138	3.2
-4	138	2.4
-2	138	1.3
0	138	0.2
2	138	-0.5
4	138	-0.2
6	138	1.1
8	138	2.8
10	138	4
12	138	4.7
14	138	4.7
16	138	4
18	138	2.5
20	138	0.4
22	138	-1.4
24	138	-0.7
26	138	1.4
28	138	3
30	138	3.6
32	138	3.3
34	138	2.3
36	138	1.2
38	138	0.8
40	138	1.4
42	138	2
44	138	1.8
46	138	1
48	138	-4.88E-15
50	138	-0.5
52	138	-0.8
54	138	-1.4
56	138	-2
58	138	-1.4
60	138	-0.1
62	138	0.4
64	138	-0.9
66	138	-3.4
68	138	-2.4
70	138	0.8
72	138	2
74	138	0.6
76	138	-5.2
78	138	-6.8
80	138	0.7
82	138	3.3
84	138	2.5
86	138	-2.6
88	138	-17.2
90	138	-4.44E-16
92	138	3.7
94	138	3.9
96	138	0.6
98	138	-8.2
100	138	-2.2
102	138	2.6
104	138	3.5
106	138	1.6
108	138	-3.5
110	138	-3.5
112	138	1
114	138	2.4
116	138	1.2
118	138	-2.5
120	138	-3.9
122	138	-1.38E-14
124	138	2.2
126	138	2.1
128	138	0.1
130	138	-2.5
132	138	-0.8
134	138	2.1
136	138	3.5
138	138	3.2
140	138	1.1
142	138	-2.8
144	138	-3.1
146	138	1.3
148	138	4.2
150	138	5.7
152	138	6
154	138	5.5
156	138	4.2
158	138	2.4
160	138	0.9
162	138	0.8
164	138	1.9
166	138	3.1
168	138	3.9
170	138	4.1
172	138	3.9
174	138	3.4
176	138	2.5
178	138	1.4
180	138	0.3
-180	140	2.3
-178	140	3.3
-176	140	4.3
-174	140	4.9
-172	140	5.2
-170	140	5
-168	140	4.1
-166	140	2.5
-164	140	0.1
-162	140	-2.3
-160	140	-2.1
-158	140	0.3
-156	140	2.2
-154	140	3.2
-152	140	3.2
-150	140	2.4
-148	140	0.8
-146	140	-0.7
-144	140	-0.7
-142	140	0.6
-140	140	1.5
-138	140	1.6
-136	140	0.7
-134	140	-0.8
-132	140	-1.7

-130	140	-1.5
-128	140	-1.3
-126	140	-1.5
-124	140	-1.6
-122	140	-0.8
-120	140	0.2
-118	140	0.1
-116	140	-1.3
-114	140	-2.8
-112	140	-1.1
-110	140	1.3
-108	140	1.9
-106	140	0.1
-104	140	-5.4
-102	140	-5
-100	140	0.9
-98	140	3.2
-96	140	2.5
-94	140	-2.1
-92	140	-25.3
-90	140	-1.3
-88	140	3.1
-86	140	3.8
-84	140	1.6
-82	140	-4.9
-80	140	-4.6
-78	140	1.6
-76	140	3.6
-74	140	3
-72	140	-0.2
-70	140	-4.1
-68	140	-0.8
-66	140	2.1
-64	140	2.6
-62	140	0.8
-60	140	-2.6
-58	140	-2.8
-56	140	0.5
-54	140	2.2
-52	140	2.1
-50	140	0.1
-48	140	-2.4
-46	140	-1.2
-44	140	1.7
-42	140	3.4
-40	140	3.6
-38	140	2.3
-36	140	-0.9
-34	140	-5.9
-32	140	-3.6
-30	140	1.2
-28	140	4
-26	140	5.4
-24	140	5.9
-22	140	5.7
-20	140	5
-18	140	3.9
-16	140	2.7
-14	140	1.9
-12	140	1.4
-10	140	1.1
-8	140	0.9
-6	140	0.7
-4	140	0.8
-2	140	1.3
0	140	2.2
2	140	3.3
4	140	4.2
6	140	4.8
8	140	5.1
10	140	4.8
12	140	4
14	140	2.4
16	140	0
18	140	-2.4
20	140	-2.1
22	140	0.3
24	140	2.3
26	140	3.3
28	140	3.3
30	140	2.5
32	140	0.9
34	140	-0.5
36	140	-0.4
38	140	0.7
40	140	1.5
42	140	1.5
44	140	0.5
46	140	-0.8
48	140	-1.6
50	140	-1.4
52	140	-1.3
54	140	-1.5
56	140	-1.6
58	140	-0.8
60	140	0.1
62	140	0.1
64	140	-1.4
66	140	-2.8
68	140	-1.1
70	140	1.3
72	140	1.9
74	140	-6.22E-15
76	140	-5.4
78	140	-4.9
80	140	1
82	140	3.2
84	140	2.5
86	140	-2.1
88	140	-25.4
90	140	-1.2
92	140	3.2
94	140	3.9
96	140	1.7
98	140	-4.9
100	140	-4.8
102	140	1.6
104	140	3.7
106	140	3.1
108	140	-0.1
110	140	-4.2
112	140	-1.1
114	140	1.9
116	140	2.5
118	140	0.8
120	140	-2.5
122	140	-2.7
124	140	0.4
126	140	2.1
128	140	1.9
130	140	-0.1
132	140	-2.7
134	140	-1.2
136	140	1.9
138	140	3.6
140	140	3.8
142	140	2.5
144	140	-0.7

146	140	-5.9
148	140	-3.8
150	140	1.1
152	140	3.9
154	140	5.4
156	140	5.9
158	140	5.7
160	140	4.9
162	140	3.8
164	140	2.7
166	140	1.8
168	140	1.3
170	140	1
172	140	0.8
174	140	0.6
176	140	0.7
178	140	1.3
180	140	2.3
-180	142	4.9
-178	142	4.9
-176	142	4.5
-174	142	3.7
-172	142	2.4
-170	142	0.2
-168	142	-2.6
-166	142	-4.4
-164	142	-2.5
-162	142	0.2
-160	142	2.1
-158	142	3
-156	142	3.1
-154	142	2.4
-152	142	0.8
-150	142	-1.1
-148	142	-2
-146	142	-1
-144	142	0.4
-142	142	1.1
-140	142	0.8
-138	142	-0.4
-136	142	-2.1
-134	142	-2.8
-132	142	-2
-130	142	-1.1
-128	142	-1.1
-126	142	-1.6
-124	142	-1.6
-122	142	-0.6
-120	142	0.1
-118	142	-0.2
-116	142	-1.6
-114	142	-2.2
-112	142	-0.4
-110	142	1.3
-108	142	1.4
-106	142	-0.7
-104	142	-5.6
-102	142	-3.9
-100	142	1.1
-98	142	3
-96	142	2.4
-94	142	-1.6
-92	142	20.4
-90	142	-2.9
-88	142	2.3
-86	142	3.7
-84	142	2.4
-82	142	-2.1
-80	142	-6.8
-78	142	-0.3
-76	142	3
-74	142	3.5
-72	142	1.9
-70	142	-1.5
-68	142	-2.3
-66	142	0.9
-64	142	2.7
-62	142	2.6
-60	142	0.7
-58	142	-2.1
-56	142	-1.6
-54	142	1
-52	142	2.4
-50	142	2.2
-48	142	0.3
-46	142	-2.8
-44	142	-2.5
-42	142	1
-40	142	3.3
-38	142	4.3
-36	142	4
-34	142	2.4
-32	142	-0.8
-30	142	-6.5
-28	142	-6.6
-26	142	-1.2
-24	142	1.9
-22	142	3.6
-20	142	4.4
-18	142	4.6
-16	142	4.4
-14	142	4
-12	142	3.6
-10	142	3.4
-8	142	3.5
-6	142	3.8
-4	142	4.2
-2	142	4.7
0	142	4.9
2	142	5
4	142	4.6
6	142	3.8
8	142	2.5
10	142	0.3
12	142	-2.6
14	142	-4.7
16	142	-2.9
18	142	-4.44E-16
20	142	2
22	142	3
24	142	3.1
26	142	2.4
28	142	0.9
30	142	-1
32	142	-1.8
34	142	-0.7
36	142	0.7
38	142	1.3
40	142	0.9
42	142	-0.4
44	142	-2.2
46	142	-2.8
48	142	-1.8
50	142	-1
52	142	-0.9
54	142	-1.4
56	142	-1.3
58	142	-0.4

60	142	0.3
62	142	-0.1
64	142	-1.4
66	142	-2
68	142	-0.4
70	142	1.3
72	142	1.4
74	142	-0.7
76	142	-5.4
78	142	-3.7
80	142	1.1
82	142	3
84	142	2.4
86	142	-1.7
88	142	-21.3
90	142	-2.8
92	142	2.4
94	142	3.8
96	142	2.5
98	142	-2.2
100	142	-7.2
102	142	-0.3
104	142	3.1
106	142	3.6
108	142	2
110	142	-1.4
112	142	-2.3
114	142	0.9
116	142	2.7
118	142	2.7
120	142	0.8
122	142	-2
124	142	-1.6
126	142	1
128	142	2.5
130	142	2.2
132	142	0.4
134	142	-2.6
136	142	-2.2
138	142	1.1
140	142	3.5
142	142	4.4
144	142	4.1
146	142	2.4
148	142	-0.9
150	142	-7
152	142	-6.9
154	142	-1.2
156	142	1.9
158	142	3.6
160	142	4.4
162	142	4.5
164	142	4.3
166	142	3.9
168	142	3.5
170	142	3.3
172	142	3.4
174	142	3.8
176	142	4.2
178	142	4.6
180	142	4.9
-180	144	1.5
-178	144	-0.2
-176	144	-2.9
-174	144	-6.8
-172	144	-8.8
-170	144	-4.8
-168	144	-1.1
-166	144	1.3
-164	144	2.8
-162	144	3.4
-160	144	3.3
-158	144	2.5
-156	144	0.8
-154	144	-1.5
-152	144	-3
-150	144	-2.1
-148	144	-0.2
-146	144	1
-144	144	1.2
-142	144	0.4
-140	144	-1.2
-138	144	-3
-136	144	-2.9
-134	144	-1.5
-132	144	-0.4
-130	144	-0.4
-128	144	-1.2
-126	144	-1.8
-124	144	-1.3
-122	144	-0.3
-120	144	0.2
-118	144	-0.4
-116	144	-1.6
-114	144	-1.6
-112	144	2.08E-14
-110	144	1.2
-108	144	0.9
-106	144	-1.6
-104	144	-6
-102	144	-3.5
-100	144	0.8
-98	144	2.6
-96	144	2
-94	144	-1.6
-92	144	-1.6
-90	144	-4.7
-88	144	1.4
-86	144	3.3
-84	144	2.7
-82	144	-0.5
-80	144	-6.5
-78	144	-2.7
-76	144	1.8
-74	144	3.3
-72	144	2.9
-70	144	0.7
-68	144	-1.8
-66	144	-0.5
-64	144	1.9
-62	144	3
-60	144	2.5
-58	144	0.5
-56	144	-1.5
-54	144	-0.5
-52	144	1.8
-50	144	3
-48	144	2.9
-46	144	1.2
-44	144	-2.2
-42	144	-5.3
-40	144	-1.8
-38	144	1.8
-36	144	3.8
-34	144	4.5
-32	144	4.3
-30	144	3.1
-28	144	0.9

-26	144	-2.7
-24	144	-8.2
-22	144	-9.7
-20	144	-4.7
-18	144	-1.4
-16	144	0.6
-14	144	1.9
-12	144	2.7
-10	144	3.2
-8	144	3.4
-6	144	3.4
-4	144	3.1
-2	144	2.5
0	144	1.5
2	144	-0.2
4	144	-2.7
6	144	-6.5
8	144	-8.6
10	144	-4.9
12	144	-1.3
14	144	1.2
16	144	2.6
18	144	3.3
20	144	3.2
22	144	2.4
24	144	0.8
26	144	-1.5
28	144	-3
30	144	-2
32	144	-0.1
34	144	1.1
36	144	1.4
38	144	0.6
40	144	-1.1
42	144	-2.9
44	144	-2.9
46	144	-1.4
48	144	-0.4
50	144	-0.3
52	144	-1
54	144	-1.7
56	144	-1.2
58	144	-0.1
60	144	0.4
62	144	-0.1
64	144	-1.3
66	144	-1.4
68	144	0.1
70	144	1.2
72	144	0.9
74	144	-1.5
76	144	-5.7
78	144	-3.4
80	144	0.8
82	144	2.5
84	144	1.9
86	144	-1.8
88	144	-16.7
90	144	-4.5
92	144	1.5
94	144	3.3
96	144	2.7
98	144	-0.6
100	144	-6.7
102	144	-2.5
104	144	1.9
106	144	3.5
108	144	3
110	144	0.9
112	144	-1.5
114	144	-0.3
116	144	2.1
118	144	3.1
120	144	2.5
122	144	0.5
124	144	-1.6
126	144	-0.5
128	144	1.9
130	144	3.3
132	144	3.2
134	144	1.5
136	144	-1.8
138	144	-5
140	144	-1.8
142	144	1.7
144	144	3.7
146	144	4.5
148	144	4.2
150	144	2.9
152	144	0.6
154	144	-3.2
156	144	-9.3
158	144	-10.2
160	144	-4.9
162	144	-1.6
164	144	0.4
166	144	1.7
168	144	2.6
170	144	3.1
172	144	3.4
174	144	3.4
176	144	3.2
178	144	2.6
180	144	1.5
-180	146	-5.8
-178	146	-3.2
-176	146	-0.9
-174	146	0.9
-172	146	2.3
-170	146	3.2
-168	146	3.6
-166	146	3.5
-164	146	2.9
-162	146	1.7
-160	146	-0.1
-158	146	-2.4
-156	146	-3.4
-154	146	-2
-152	146	8.88E-16
-150	146	1.3
-148	146	1.8
-146	146	1.3
-144	146	-2.22E-14
-142	146	-1.8
-140	146	-2.8
-138	146	-1.8
-136	146	-0.3
-134	146	0.5
-132	146	0.4
-130	146	-0.6
-128	146	-1.6
-126	146	-1.5
-124	146	-0.3
-122	146	0.7
-120	146	0.6
-118	146	-0.4
-116	146	-1.6
-114	146	-1.2

-112	146	0.3
-110	146	1
-108	146	0.3
-106	146	-2.3
-104	146	-6.2
-102	146	-3.5
-100	146	0.3
-98	146	1.9
-96	146	1.3
-94	146	-2.2
-92	146	-14.6
-90	146	-6.5
-88	146	0.3
-86	146	2.5
-84	146	2.4
-82	146	0.1
-80	146	-4.8
-78	146	-4.5
-76	146	0.4
-74	146	2.7
-72	146	3.1
-70	146	1.8
-68	146	-0.6
-66	146	-1.6
-64	146	0.6
-62	146	2.5
-60	146	3.1
-58	146	2.3
-56	146	0.3
-54	146	-1.7
-52	146	-0.6
-50	146	1.9
-48	146	3.4
-46	146	3.8
-44	146	2.9
-42	146	0.7
-40	146	-3.5
-38	146	-7.8
-36	146	-3.4
-34	146	0.6
-32	146	2.9
-30	146	4
-28	146	4.4
-26	146	4.1
-24	146	3.3
-22	146	1.9
-20	146	0.1
-18	146	-2.3
-16	146	-5.1
-14	146	-7.6
-12	146	-8.8
-10	146	-8.9
-8	146	-9
-6	146	-9.6
-4	146	-9.9
-2	146	-8.8
0	146	-6.1
2	146	-3.3
4	146	-0.9
6	146	1
8	146	2.3
10	146	3.2
12	146	3.6
14	146	3.6
16	146	2.9
18	146	1.7
20	146	-0.2
22	146	-2.5
24	146	-3.5
26	146	-2
28	146	-8.88E-16
30	146	1.3
32	146	1.8
34	146	1.4
36	146	0.1
38	146	-1.7
40	146	-2.7
42	146	-1.7
44	146	-0.3
46	146	0.5
48	146	0.4
50	146	-0.5
52	146	-1.5
54	146	-1.4
56	146	-0.3
58	146	0.6
60	146	0.6
62	146	-0.3
64	146	-1.4
66	146	-1
68	146	0.4
70	146	1.1
72	146	0.4
74	146	-2.2
76	146	-6.1
78	146	-3.6
80	146	0.3
82	146	1.8
84	146	1.2
86	146	-2.2
88	146	-14.8
90	146	-6.3
92	146	0.3
94	146	2.6
96	146	2.5
98	146	0.2
100	146	-4.6
102	146	-4.4
104	146	0.4
106	146	2.8
108	146	3.2
110	146	1.9
112	146	-0.5
114	146	-1.4
116	146	0.7
118	146	2.7
120	146	3.2
122	146	2.4
124	146	0.4
126	146	-1.6
128	146	-0.4
130	146	2.1
132	146	3.6
134	146	4
136	146	3.2
138	146	0.9
140	146	-3.2
142	146	-7.7
144	146	-3.5
146	146	0.6
148	146	2.8
150	146	4
152	146	4.3
154	146	4
156	146	3.2
158	146	1.8
160	146	-0.1
162	146	-2.5

164	146	-5.3
166	146	-7.9
168	146	-9
170	146	-8.9
172	146	-8.7
174	146	-9
176	146	-9.2
178	146	-8.2
180	146	-5.8
-180	148	4.1
-178	148	4.4
-176	148	4.5
-174	148	4.4
-172	148	3.9
-170	148	3
-168	148	1.6
-166	148	-0.4
-164	148	-3.1
-162	148	-4.9
-160	148	-3.4
-158	148	-0.7
-156	148	1.3
-154	148	2.5
-152	148	2.9
-150	148	2.5
-148	148	1.4
-146	148	-0.4
-144	148	-2.2
-142	148	-2.3
-140	148	-0.8
-138	148	0.6
-136	148	1.3
-134	148	1.1
-132	148	0.1
-130	148	-1
-128	148	-1.1
-126	148	-0.1
-124	148	1
-122	148	1.2
-120	148	0.6
-118	148	-0.8
-116	148	-1.6
-114	148	-0.8
-112	148	0.5
-110	148	0.8
-108	148	-0.3
-106	148	-3.2
-104	148	-6.4
-102	148	-3.4
-100	148	8.88E-16
-98	148	1.3
-96	148	0.7
-94	148	-2.6
-92	148	-13.1
-90	148	-8.6
-88	148	-1
-86	148	1.6
-84	148	2
-82	148	0.4
-80	148	-3.3
-78	148	-5.4
-76	148	-1.2
-74	148	1.7
-72	148	2.8
-70	148	2.3
-68	148	0.4
-66	148	-1.9
-64	148	-1.2
-62	148	1.3
-60	148	3
-58	148	3.3
-56	148	2.4
-54	148	0.3
-52	148	-2.4
-50	148	-2
-48	148	0.9
-46	148	3.2
-44	148	4.3
-42	148	4.4
-40	148	3.7
-38	148	1.8
-36	148	-1.4
-34	148	-6.4
-32	148	-7.9
-30	148	-3
-28	148	0.4
-26	148	2.4
-24	148	3.6
-22	148	4.1
-20	148	4.3
-18	148	4.1
-16	148	3.8
-14	148	3.4
-12	148	3
-10	148	2.8
-8	148	2.7
-6	148	2.9
-4	148	3.2
-2	148	3.6
0	148	4
2	148	4.3
4	148	4.5
6	148	4.4
8	148	3.9
10	148	3.1
12	148	1.7
14	148	-0.4
16	148	-3.2
18	148	-5.2
20	148	-3.6
22	148	-0.8
24	148	1.3
26	148	2.5
28	148	2.9
30	148	2.6
32	148	1.5
34	148	-0.3
36	148	-2.1
38	148	-2.2
40	148	-0.7
42	148	0.7
44	148	1.3
46	148	1
48	148	-5.33E-15
50	148	-1
52	148	-1
54	148	4.44E-16
56	148	1
58	148	1.1
60	148	0.4
62	148	-1
64	148	-1.7
66	148	-0.7
68	148	0.6
70	148	1
72	148	-0.1
74	148	-3
76	148	-6.3

78	148	-3.5
80	148	-0.1
82	148	1.3
84	148	0.7
86	148	-2.6
88	148	-13.1
90	148	-8.6
92	148	-1
94	148	1.7
96	148	2
98	148	0.4
100	148	-3.4
102	148	-5.7
104	148	-1.3
106	148	1.7
108	148	2.8
110	148	2.4
112	148	0.5
114	148	-1.8
116	148	-1.2
118	148	1.3
120	148	3
122	148	3.4
124	148	2.6
126	148	0.5
128	148	-2.2
130	148	-1.8
132	148	1.1
134	148	3.3
136	148	4.4
138	148	4.6
140	148	3.8
142	148	1.9
144	148	-1.3
146	148	-6.6
148	148	-8.2
150	148	-3
152	148	0.4
154	148	2.4
156	148	3.6
158	148	4.1
160	148	4.3
162	148	4.1
164	148	3.8
166	148	3.4
168	148	3.1
170	148	2.9
172	148	2.8
174	148	3
176	148	3.4
178	148	3.8
180	148	4.1
-180	150	2.2
-178	150	1.5
-176	150	0.4
-174	150	-1.2
-172	150	-3.3
-170	150	-5.4
-168	150	-5.5
-166	150	-3.1
-164	150	-0.5
-162	150	1.5
-160	150	2.8
-158	150	3.5
-156	150	3.7
-154	150	3.2
-152	150	2.2
-150	150	0.7
-148	150	-1
-146	150	-1.7
-144	150	-0.8
-142	150	0.6
-140	150	1.6
-138	150	1.9
-136	150	1.5
-134	150	0.5
-132	150	-0.5
-130	150	-0.6
-128	150	0.3
-126	150	1.2
-124	150	1.5
-122	150	1
-120	150	-0.2
-118	150	-1.5
-116	150	-1.5
-114	150	-0.2
-112	150	0.8
-110	150	0.7
-108	150	-0.9
-106	150	-4.1
-104	150	-6.4
-102	150	-3.1
-100	150	-0.1
-98	150	1
-96	150	0.3
-94	150	-2.7
-92	150	-11.6
-90	150	-11.3
-88	150	-2.4
-86	150	0.7
-84	150	1.6
-82	150	0.5
-80	150	-2.5
-78	150	-6.4
-76	150	-3.7
-74	150	0.2
-72	150	2.2
-70	150	2.5
-68	150	1.6
-66	150	-0.6
-64	150	-2.4
-62	150	-1
-60	150	1.5
-58	150	3.1
-56	150	3.6
-54	150	3
-52	150	1.3
-50	150	-1.5
-48	150	-3.5
-46	150	-1.4
-44	150	1.6
-42	150	3.6
-40	150	4.7
-38	150	5
-36	150	4.7
-34	150	3.6
-32	150	1.9
-30	150	-0.9
-28	150	-4.8
-26	150	-8.7
-24	150	-6.8
-22	150	-3.3
-20	150	-0.9
-18	150	0.6
-16	150	1.6
-14	150	2.2
-12	150	2.6
-10	150	2.8

-8	150	2.9
-6	150	2.9
-4	150	2.8
-2	150	2.5
0	150	2.1
2	150	1.4
4	150	0.4
6	150	-1.2
8	150	-3.3
10	150	-5.6
12	150	-5.8
14	150	-3.4
16	150	-0.7
18	150	1.4
20	150	2.7
22	150	3.5
24	150	3.7
26	150	3.3
28	150	2.3
30	150	0.8
32	150	-0.9
34	150	-1.6
36	150	-0.7
38	150	0.7
40	150	1.6
42	150	1.8
44	150	1.3
46	150	0.3
48	150	-0.7
50	150	-0.6
52	150	0.4
54	150	1.3
56	150	1.6
58	150	1
60	150	-0.3
62	150	-1.8
64	150	-1.7
66	150	-0.4
68	150	0.7
70	150	0.6
72	150	-0.9
74	150	-4
76	150	-6.3
78	150	-3.1
80	150	-0.2
82	150	1
84	150	0.3
86	150	-2.8
88	150	-11.7
90	150	-11
92	150	-2.3
94	150	0.8
96	150	1.6
98	150	0.5
100	150	-2.5
102	150	-6.5
104	150	-3.6
106	150	0.3
108	150	2.3
110	150	2.7
112	150	1.7
114	150	-0.5
116	150	-2.5
118	150	-1.1
120	150	1.5
122	150	3.2
124	150	3.7
126	150	3.2
128	150	1.5
130	150	-1.3
132	150	-3.3
134	150	-1.2
136	150	1.7
138	150	3.7
140	150	4.8
142	150	5
144	150	4.6
146	150	3.5
148	150	1.7
150	150	-1.2
152	150	-5.2
154	150	-8.9
156	150	-6.7
158	150	-3.3
160	150	-0.9
162	150	0.6
164	150	1.6
166	150	2.2
168	150	2.6
170	150	2.9
172	150	3
174	150	3
176	150	2.9
178	150	2.6
180	150	2.2
-180	152	-7
-178	152	-4.8
-176	152	-2.6
-174	152	-0.6
-172	152	1.1
-170	152	2.4
-168	152	3.4
-166	152	4.1
-164	152	4.5
-162	152	4.4
-160	152	4
-158	152	3.2
-156	152	1.9
-154	152	0.2
-152	152	-1.2
-150	152	-1.4
-148	152	-0.3
-146	152	1.2
-144	152	2.2
-142	152	2.7
-140	152	2.5
-138	152	1.8
-136	152	0.6
-134	152	-0.5
-132	152	-0.5
-130	152	0.4
-128	152	1.3
-126	152	1.7
-124	152	1.4
-122	152	0.4
-120	152	-1
-118	152	-1.7
-116	152	-0.9
-114	152	0.2
-112	152	0.8
-110	152	0.2
-108	152	-1.7
-106	152	-4.9
-104	152	-5.9
-102	152	-2.8
-100	152	-0.3
-98	152	0.6
-96	152	-0.1

-94	152	-2.9
-92	152	-10.7
-90	152	-14.1
-88	152	-3.7
-86	152	-0.1
-84	152	1.1
-82	152	0.7
-80	152	-1.6
-78	152	-6
-76	152	-6.9
-74	152	-2
-72	152	1.1
-70	152	2.4
-68	152	2.5
-66	152	1.3
-64	152	-1
-62	152	-3.1
-60	152	-1.7
-58	152	1.1
-56	152	3
-54	152	3.9
-52	152	3.9
-50	152	3
-48	152	1.1
-46	152	-1.6
-44	152	-3.8
-42	152	-2.2
-40	152	0.7
-38	152	2.9
-36	152	4.3
-34	152	5
-32	152	5.2
-30	152	5
-28	152	4.4
-26	152	3.4
-24	152	2.1
-22	152	0.4
-20	152	-1.5
-18	152	-3.7
-16	152	-6
-14	152	-8.1
-12	152	-9.5
-10	152	-10.2
-8	152	-10.5
-6	152	-10.4
-4	152	-10
-2	152	-8.9
0	152	-7
2	152	-4.9
4	152	-2.7
6	152	-0.7
8	152	1
10	152	2.3
12	152	3.4
14	152	4.1
16	152	4.5
18	152	4.5
20	152	4.1
22	152	3.3
24	152	2
26	152	0.3
28	152	-1.2
30	152	-1.4
32	152	-0.2
34	152	1.3
36	152	2.4
38	152	2.8
40	152	2.6
42	152	1.8
44	152	0.5
46	152	-0.6
48	152	-0.6
50	152	0.4
52	152	1.4
54	152	1.9
56	152	1.5
58	152	0.4
60	152	-1.1
62	152	-1.9
64	152	-1.1
66	152	0.1
68	152	0.7
70	152	0.1
72	152	-1.9
74	152	-5.2
76	152	-6.1
78	152	-2.7
80	152	-0.2
82	152	0.7
84	152	-3.11E-15
86	152	-2.9
88	152	-10.9
90	152	-13.5
92	152	-3.5
94	152	0.1
96	152	1.4
98	152	0.9
100	152	-1.3
102	152	-5.7
104	152	-6.9
106	152	-2
108	152	1.1
110	152	2.5
112	152	2.5
114	152	1.3
116	152	-1
118	152	-3.1
120	152	-1.7
122	152	1.1
124	152	3.1
126	152	4
128	152	4
130	152	3.1
132	152	1.2
134	152	-1.6
136	152	-3.8
138	152	-2.1
140	152	0.7
142	152	2.9
144	152	4.2
146	152	4.9
148	152	5.1
150	152	4.9
152	152	4.3
154	152	3.3
156	152	2.1
158	152	0.5
160	152	-1.4
162	152	-3.4
164	152	-5.6
166	152	-7.5
168	152	-9
170	152	-9.9
172	152	-10.3
174	152	-10.4
176	152	-10.1
178	152	-8.9
180	152	-7

-180	154	4.2
-178	154	4.5
-176	154	4.8
-174	154	5.1
-172	154	5.2
-170	154	5.1
-168	154	4.9
-166	154	4.3
-164	154	3.5
-162	154	2.2
-160	154	0.6
-158	154	-1.1
-156	154	-2.1
-154	154	-1.5
-152	154	0.1
-150	154	1.5
-148	154	2.6
-146	154	3.1
-144	154	3.1
-142	154	2.5
-140	154	1.5
-138	154	0.2
-136	154	-0.7
-134	154	-0.5
-132	154	0.4
-130	154	1.3
-128	154	1.8
-126	154	1.6
-124	154	0.7
-122	154	-0.5
-120	154	-1.5
-118	154	-1.3
-116	154	-0.3
-114	154	0.5
-112	154	0.5
-110	154	-0.6
-108	154	-2.9
-106	154	-5.8
-104	154	-5.5
-102	154	-2.5
-100	154	-0.4
-98	154	0.3
-96	154	-0.4
-94	154	-3
-92	154	-9.5
-90	154	-18.1
-88	154	-5.2
-86	154	-1
-84	154	0.7
-82	154	0.9
-80	154	-0.5
-78	154	-3.7
-76	154	-8.5
-74	154	-5.8
-72	154	-1.3
-70	154	1.3
-68	154	2.4
-66	154	2.3
-64	154	1.1
-62	154	-1.1
-60	154	-3.7
-58	154	-3.2
-56	154	-0.2
-54	154	2.2
-52	154	3.6
-50	154	4.2
-48	154	4
-46	154	3.2
-44	154	1.5
-42	154	-0.9
-40	154	-3.7
-38	154	-4.3
-36	154	-1.9
-34	154	0.7
-32	154	2.6
-30	154	3.8
-28	154	4.7
-26	154	5.1
-24	154	5.3
-22	154	5.3
-20	154	5.2
-18	154	4.9
-16	154	4.6
-14	154	4.2
-12	154	3.9
-10	154	3.7
-8	154	3.5
-6	154	3.5
-4	154	3.6
-2	154	3.8
0	154	4.1
2	154	4.4
4	154	4.8
6	154	5
8	154	5.1
10	154	5.1
12	154	4.9
14	154	4.4
16	154	3.6
18	154	2.4
20	154	0.8
22	154	-1
24	154	-2.1
26	154	-1.5
28	154	-4.44E-16
30	154	1.6
32	154	2.7
34	154	3.3
36	154	3.3
38	154	2.8
40	154	1.7
42	154	0.4
44	154	-0.6
46	154	-0.5
48	154	0.5
50	154	1.4
52	154	1.9
54	154	1.7
56	154	0.8
58	154	-0.5
60	154	-1.4
62	154	-1.2
64	154	-0.2
66	154	0.6
68	154	0.6
70	154	-0.6
72	154	-3
74	154	-6.3
76	154	-6
78	154	-2.5
80	154	-0.3
82	154	0.5
84	154	-0.2
86	154	-2.8
88	154	-9.3
90	154	-18.8
92	154	-5.2
94	154	-0.9

96	154	0.9
98	154	1.1
100	154	-0.2
102	154	-3.4
104	154	-6.2
106	154	-6.1
108	154	-1.4
110	154	1.2
112	154	2.4
114	154	2.3
116	154	1.2
118	154	-1.1
120	154	-3.7
122	154	-3.1
124	154	-0.2
126	154	2.2
128	154	3.6
130	154	4.2
132	154	4.1
134	154	3.2
136	154	1.5
138	154	-1
140	154	-3.9
142	154	-4.5
144	154	-2
146	154	0.6
148	154	2.5
150	154	3.8
152	154	4.7
154	154	5.2
156	154	5.4
158	154	5.4
160	154	5.2
162	154	4.9
164	154	4.6
166	154	4.3
168	154	3.9
170	154	3.7
172	154	3.6
174	154	3.5
176	154	3.7
178	154	3.9
180	154	4.2
-180	156	4
-178	156	3.7
-176	156	3.3
-174	156	2.7
-172	156	1.9
-170	156	0.9
-168	156	-0.3
-166	156	-1.6
-164	156	-2.4
-162	156	-2.3
-160	156	-1.2
-158	156	0.2
-156	156	1.5
-154	156	2.5
-152	156	3.1
-150	156	3.2
-148	156	3
-146	156	2.3
-144	156	1.3
-142	156	0
-140	156	-1
-138	156	-1.1
-136	156	-0.2
-134	156	0.9
-132	156	1.7
-130	156	2
-128	156	1.6
-126	156	0.7
-124	156	-0.6
-122	156	-1.8
-120	156	-1.8
-118	156	-0.9
-116	156	0.1
-114	156	0.5
-112	156	-1.29E-14
-110	156	-1.4
-108	156	-4.1
-106	156	-6.7
-104	156	-5.5
-102	156	-2.6
-100	156	-0.6
-98	156	8.88E-16
-96	156	-0.6
-94	156	-2.9
-92	156	-8
-90	156	-20.2
-88	156	-7.6
-86	156	-2.4
-84	156	0
-82	156	0.8
-80	156	0.3
-78	156	-1.6
-76	156	-5.3
-74	156	-9.8
-72	156	-5.9
-70	156	-1.6
-68	156	0.9
-66	156	2
-64	156	2.1
-62	156	1.3
-60	156	-0.4
-58	156	-2.9
-56	156	-4.6
-54	156	-2.9
-52	156	-0.1
-50	156	1.9
-48	156	3.2
-46	156	3.8
-44	156	3.9
-42	156	3.5
-40	156	2.6
-38	156	1.1
-36	156	-0.8
-34	156	-2.9
-32	156	-4.3
-30	156	-3.8
-28	156	-2.1
-26	156	-0.4
-24	156	1.1
-22	156	2.1
-20	156	2.9
-18	156	3.5
-16	156	3.9
-14	156	4.2
-12	156	4.3
-10	156	4.4
-8	156	4.4
-6	156	4.4
-4	156	4.3
-2	156	4.1
0	156	3.9
2	156	3.5
4	156	3.1
6	156	2.5
8	156	1.8

10	156	0.8
12	156	-0.3
14	156	-1.4
16	156	-2.2
18	156	-2.2
20	156	-1.2
22	156	0.2
24	156	1.5
26	156	2.5
28	156	3.1
30	156	3.3
32	156	3.2
34	156	2.6
36	156	1.6
38	156	0.3
40	156	-0.7
42	156	-0.8
44	156	-3.55E-15
46	156	1
48	156	1.8
50	156	2.1
52	156	1.7
54	156	0.8
56	156	-0.5
58	156	-1.6
60	156	-1.6
62	156	-0.7
64	156	0.3
66	156	0.7
68	156	0.3
70	156	-1.2
72	156	-3.9
74	156	-6.9
76	156	-5.8
78	156	-2.6
80	156	-0.6
82	156	0.1
84	156	-0.4
86	156	-2.6
88	156	-7.6
90	156	-22.3
92	156	-8
94	156	-2.5
96	156	-0.1
98	156	0.8
100	156	0.3
102	156	-1.5
104	156	-5.3
106	156	-9.7
108	156	-5.8
110	156	-1.5
112	156	0.9
114	156	2.1
116	156	2.2
118	156	1.4
120	156	-0.4
122	156	-2.9
124	156	-4.6
126	156	-2.8
128	156	1.33E-15
130	156	2
132	156	3.3
134	156	3.9
136	156	4
138	156	3.5
140	156	2.5
142	156	1
144	156	-0.9
146	156	-3.1
148	156	-4.4
150	156	-3.7
152	156	-2
154	156	-0.2
156	156	1.2
158	156	2.2
160	156	3
162	156	3.6
164	156	4
166	156	4.2
168	156	4.4
170	156	4.4
172	156	4.5
174	156	4.4
176	156	4.4
178	156	4.2
180	156	4
-180	158	-4.7
-178	158	-5
-176	158	-4.9
-174	158	-4.3
-172	158	-3.2
-170	158	-1.8
-168	158	-0.4
-166	158	0.9
-164	158	2
-162	158	2.8
-160	158	3.4
-158	158	3.8
-156	158	3.8
-154	158	3.5
-152	158	2.9
-150	158	1.9
-148	158	0.5
-146	158	-1
-144	158	-2.3
-142	158	-2.2
-140	158	-1
-138	158	0.4
-136	158	1.5
-134	158	2.1
-132	158	2.1
-130	158	1.6
-128	158	0.5
-126	158	-1
-124	158	-2.6
-122	158	-2.9
-120	158	-1.9
-118	158	-0.7
-116	158	0.1
-114	158	0.2
-112	158	-0.6
-110	158	-2.3
-108	158	-5
-106	158	-7.2
-104	158	-5.6
-102	158	-2.9
-100	158	-1.2
-98	158	-0.5
-96	158	-1
-94	158	-2.8
-92	158	-6.7
-90	158	-15.7
-88	158	-11.1
-86	158	-4.5
-84	158	-1.4
-82	158	0.1
-80	158	0.4
-78	158	-0.5

-76	158	-2.6
-74	158	-6.6
-72	158	-11
-70	158	-6.7
-68	158	-2.3
-66	158	0.3
-64	158	1.6
-62	158	2.1
-60	158	1.9
-58	158	0.9
-56	158	-0.9
-54	158	-3.4
-52	158	-5.4
-50	158	-4.3
-48	158	-1.7
-46	158	0.6
-44	158	2.2
-42	158	3.3
-40	158	3.9
-38	158	4.1
-36	158	4
-34	158	3.5
-32	158	2.9
-30	158	2
-28	158	0.9
-26	158	-0.4
-24	158	-1.8
-22	158	-3.1
-20	158	-4.2
-18	158	-4.8
-16	158	-4.9
-14	158	-4.7
-12	158	-4.4
-10	158	-4.2
-8	158	-4
-6	158	-4.1
-4	158	-4.3
-2	158	-4.6
0	158	-4.9
2	158	-5.1
4	158	-4.8
6	158	-4
8	158	-2.9
10	158	-1.5
12	158	-0.2
14	158	1
16	158	2
18	158	2.9
20	158	3.4
22	158	3.7
24	158	3.8
26	158	3.5
28	158	2.9
30	158	2
32	158	0.6
34	158	-0.9
36	158	-2
38	158	-2
40	158	-0.9
42	158	0.5
44	158	1.6
46	158	2.1
48	158	2.2
50	158	1.7
52	158	0.6
54	158	-0.9
56	158	-2.4
58	158	-2.7
60	158	-1.8
62	158	-0.5
64	158	0.3
66	158	0.3
68	158	-0.4
70	158	-2.1
72	158	-4.7
74	158	-6.9
76	158	-5.6
78	158	-2.9
80	158	-1.1
82	158	-0.5
84	158	-0.9
86	158	-2.7
88	158	-6.7
90	158	-1.6
92	158	-11.5
94	158	-4.6
96	158	-1.4
98	158	-8.88E+16
100	158	0.3
102	158	-0.5
104	158	-2.7
106	158	-6.7
108	158	-10.7
110	158	-6.3
112	158	-2.1
114	158	0.4
116	158	1.8
118	158	2.2
120	158	1.9
122	158	0.9
124	158	-1
126	158	-3.5
128	158	-5.4
130	158	-4.2
132	158	-1.4
134	158	0.8
136	158	2.3
138	158	3.3
140	158	3.9
142	158	4.1
144	158	3.9
146	158	3.5
148	158	2.8
150	158	2
152	158	0.9
154	158	-0.3
156	158	-1.6
158	158	-2.8
160	158	-3.7
162	158	-4.2
164	158	-4.3
166	158	-4.2
168	158	-4
170	158	-3.8
172	158	-3.7
174	158	-3.7
176	158	-4
178	158	-4.3
180	158	-4.7
-180	160	2.2
-178	160	2.4
-176	160	2.7
-174	160	3
-172	160	3.3
-170	160	3.6
-168	160	3.8
-166	160	3.9
-164	160	3.9

-162	160	3.7
-160	160	3.3
-158	160	2.7
-156	160	1.7
-154	160	0.5
-152	160	-1
-150	160	-2.5
-148	160	-3.3
-146	160	-2.9
-144	160	-1.5
-142	160	-0.1
-140	160	1
-138	160	1.7
-136	160	1.9
-134	160	1.6
-132	160	0.9
-130	160	-0.4
-128	160	-1.9
-126	160	-3.4
-124	160	-3.6
-122	160	-2.6
-120	160	-1.2
-118	160	-0.3
-116	160	-4.44E-16
-114	160	-0.4
-112	160	-1.5
-110	160	-3.5
-108	160	-6.2
-106	160	-7.5
-104	160	-5.6
-102	160	-3.1
-100	160	-1.6
-98	160	-1
-96	160	-1.3
-94	160	-2.7
-92	160	-5.7
-90	160	-12.2
-88	160	-17.7
-86	160	-7.9
-84	160	-3.5
-82	160	-1.2
-80	160	-0.2
-78	160	-0.2
-76	160	-1
-74	160	-3
-72	160	-6.5
-70	160	-11
-68	160	-8.4
-66	160	-3.9
-64	160	-1
-62	160	0.8
-60	160	1.7
-58	160	2
-56	160	1.7
-54	160	0.8
-52	160	-0.7
-50	160	-2.9
-48	160	-5.4
-46	160	-6.3
-44	160	-4.4
-42	160	-1.8
-40	160	0.3
-38	160	1.8
-36	160	2.9
-34	160	3.7
-32	160	4.2
-30	160	4.4
-28	160	4.5
-26	160	4.4
-24	160	4.2
-22	160	4
-20	160	3.6
-18	160	3.3
-16	160	2.9
-14	160	2.6
-12	160	2.3
-10	160	2
-8	160	1.9
-6	160	1.9
-4	160	1.9
-2	160	2.1
0	160	2.3
2	160	2.6
4	160	2.9
6	160	3.3
8	160	3.5
10	160	3.8
12	160	4
14	160	4
16	160	4
18	160	3.7
20	160	3.3
22	160	2.6
24	160	1.7
26	160	0.4
28	160	-1.1
30	160	-2.6
32	160	-3.4
34	160	-2.9
36	160	-1.5
38	160	-0.1
40	160	1
42	160	1.7
44	160	1.9
46	160	1.7
48	160	0.9
50	160	-0.3
52	160	-1.9
54	160	-3.3
56	160	-3.6
58	160	-2.6
60	160	-1.3
62	160	-0.4
64	160	-0.1
66	160	-0.4
68	160	-1.6
70	160	-3.5
72	160	-6.1
74	160	-7.2
76	160	-5.4
78	160	-3.1
80	160	-1.6
82	160	-1
84	160	-1.4
86	160	-2.9
88	160	-6.1
90	160	-13.1
92	160	-17.4
94	160	-7.5
96	160	-3.3
98	160	-1.1
100	160	-0.2
102	160	-0.2
104	160	-1.1
106	160	-3.2
108	160	-6.9
110	160	-11.1
112	160	-8

114	160	-3.5
116	160	-0.7
118	160	1
120	160	1.8
122	160	2.1
124	160	1.7
126	160	0.8
128	160	-0.8
130	160	-3
132	160	-5.6
134	160	-6.3
136	160	-4.3
138	160	-1.7
140	160	0.3
142	160	1.9
144	160	2.9
146	160	3.7
148	160	4.2
150	160	4.4
152	160	4.5
154	160	4.5
156	160	4.3
158	160	4.1
160	160	3.8
162	160	3.4
164	160	3.1
166	160	2.7
168	160	2.4
170	160	2.2
172	160	2
174	160	1.9
176	160	1.9
178	160	2
180	160	2.2
-180	162	3.5
-178	162	3.3
-176	162	3
-174	162	2.8
-172	162	2.4
-170	162	1.9
-168	162	1.4
-166	162	0.7
-164	162	-0.2
-162	162	-1.2
-160	162	-2.3
-158	162	-3.3
-156	162	-3.9
-154	162	-3.7
-152	162	-2.8
-150	162	-1.7
-148	162	-0.5
-146	162	0.4
-144	162	1
-142	162	1.3
-140	162	1.3
-138	162	0.9
-136	162	0.1
-134	162	-1
-132	162	-2.5
-130	162	-3.8
-128	162	-4.3
-126	162	-3.6
-124	162	-2.2
-122	162	-1
-120	162	-0.3
-118	162	8.88E-16
-116	162	-0.3
-114	162	-1.3
-112	162	-3
-110	162	-5.5
-108	162	-8.1
-106	162	-8
-104	162	-5.4
-102	162	-3.1
-100	162	-1.7
-98	162	-1.1
-96	162	-1.3
-94	162	-2.4
-92	162	-4.7
-90	162	-9.1
-88	162	-20.2
-86	162	-13.7
-84	162	-6.6
-82	162	-3.2
-80	162	-1.3
-78	162	-0.5
-76	162	-0.4
-74	162	-1
-72	162	-2.5
-70	162	-5
-68	162	-8.7
-66	162	-10.9
-64	162	-7.3
-62	162	-3.7
-60	162	-1.3
-58	162	0.3
-56	162	1.2
-54	162	1.6
-52	162	1.6
-50	162	1.2
-48	162	0.3
-46	162	-1
-44	162	-2.7
-42	162	-4.5
-40	162	-5.9
-38	162	-5.8
-36	162	-4.2
-34	162	-2.5
-32	162	-0.9
-30	162	0.4
-28	162	1.4
-26	162	2.1
-24	162	2.7
-22	162	3.1
-20	162	3.4
-18	162	3.6
-16	162	3.7
-14	162	3.8
-12	162	3.8
-10	162	3.8
-8	162	3.8
-6	162	3.8
-4	162	3.7
-2	162	3.6
0	162	3.5
2	162	3.3
4	162	3.1
6	162	2.8
8	162	2.5
10	162	2
12	162	1.5
14	162	0.7
16	162	-0.1
18	162	-1.2
20	162	-2.3
22	162	-3.4
24	162	-4
26	162	-3.8

28	162	-2.9
30	162	-1.8
32	162	-0.6
34	162	0.3
36	162	0.9
38	162	1.3
40	162	1.3
42	162	0.9
44	162	0.1
46	162	-1
48	162	-2.4
50	162	-3.8
52	162	-4.3
54	162	-3.6
56	162	-2.3
58	162	-1.2
60	162	-0.4
62	162	-0.2
64	162	-0.5
66	162	-1.5
68	162	-3.2
70	162	-5.7
72	162	-8.3
74	162	-8
76	162	-5.4
78	162	-3.2
80	162	-1.8
82	162	-1.3
84	162	-1.5
86	162	-2.7
88	162	-5.1
90	162	-9.8
92	162	-23.6
94	162	-12.9
96	162	-6.3
98	162	-3
100	162	-1.3
102	162	-0.5
104	162	-0.4
106	162	-1.1
108	162	-2.7
110	162	-5.3
112	162	-9.2
114	162	-10.9
116	162	-7
118	162	-3.5
120	162	-1.1
122	162	0.4
124	162	1.2
126	162	1.6
128	162	1.5
130	162	1.1
132	162	0.2
134	162	-1.1
136	162	-2.8
138	162	-4.7
140	162	-6
142	162	-5.8
144	162	-4.3
146	162	-2.5
148	162	-0.9
150	162	0.3
152	162	1.3
154	162	2.1
156	162	2.7
158	162	3.1
160	162	3.4
162	162	3.7
164	162	3.8
166	162	3.9
168	162	3.9
170	162	3.9
172	162	3.9
174	162	3.8
176	162	3.7
178	162	3.6
180	162	3.5
-180	164	-3.8
-178	164	-4.3
-176	164	-4.9
-174	164	-5.5
-172	164	-5.9
-170	164	-6
-168	164	-5.7
-166	164	-5
-164	164	-4
-162	164	-2.9
-160	164	-1.8
-158	164	-0.9
-156	164	4.88E-15
-154	164	0.6
-152	164	1.1
-150	164	1.3
-148	164	1.4
-146	164	1.2
-144	164	0.7
-142	164	-0.1
-140	164	-1.2
-138	164	-2.6
-136	164	-4.3
-134	164	-5.7
-132	164	-5.9
-130	164	-4.7
-128	164	-3
-126	164	-1.6
-124	164	-0.6
-122	164	3.11E-15
-120	164	0.1
-118	164	-0.3
-116	164	-1.3
-114	164	-2.8
-112	164	-5.2
-110	164	-8.4
-108	164	-10.5
-106	164	-8.3
-104	164	-5.3
-102	164	-3.1
-100	164	-1.9
-98	164	-1.3
-96	164	-1.4
-94	164	-2.2
-92	164	-3.9
-90	164	-6.9
-88	164	-12.8
-86	164	-28.3
-84	164	-11.5
-82	164	-6.1
-80	164	-3.2
-78	164	-1.5
-76	164	-0.6
-74	164	-0.4
-72	164	-0.7
-70	164	-1.6
-68	164	-3.1
-66	164	-5.6
-64	164	-9.1
-62	164	-11.7
-60	164	-9

-58	164	-5.4
-56	164	-2.8
-54	164	-1
-52	164	0.3
-50	164	1.1
-48	164	1.5
-46	164	1.6
-44	164	1.5
-42	164	1.1
-40	164	0.6
-38	164	-0.2
-36	164	-1.2
-34	164	-2.3
-32	164	-3.5
-30	164	-4.7
-28	164	-5.6
-26	164	-6.1
-24	164	-6.1
-22	164	-5.7
-20	164	-5.1
-18	164	-4.5
-16	164	-4
-14	164	-3.6
-12	164	-3.3
-10	164	-3.1
-8	164	-3
-6	164	-3.1
-4	164	-3.2
-2	164	-3.5
0	164	-3.9
2	164	-4.4
4	164	-4.9
6	164	-5.4
8	164	-5.8
10	164	-5.8
12	164	-5.5
14	164	-4.8
16	164	-3.8
18	164	-2.8
20	164	-1.7
22	164	-0.8
24	164	4.00E-15
26	164	0.6
28	164	1
30	164	1.3
32	164	1.3
34	164	1.1
36	164	0.6
38	164	-0.2
40	164	-1.3
42	164	-2.7
44	164	-4.4
46	164	-5.7
48	164	-5.8
50	164	-4.6
52	164	-3
54	164	-1.6
56	164	-0.6
58	164	-0.1
60	164	0
62	164	-0.4
64	164	-1.4
66	164	-3
68	164	-5.5
70	164	-8.9
72	164	-11
74	164	-8.5
76	164	-5.4
78	164	-3.2
80	164	-1.9
82	164	-1.3
84	164	-1.5
86	164	-2.3
88	164	-4
90	164	-7.1
92	164	-13.2
94	164	-29.4
96	164	-11.4
98	164	-6.1
100	164	-3.2
102	164	-1.6
104	164	-0.7
106	164	-0.4
108	164	-0.7
110	164	-1.6
112	164	-3.2
114	164	-5.7
116	164	-9.1
118	164	-11.7
120	164	-9.1
122	164	-5.5
124	164	-2.9
126	164	-1.1
128	164	0.1
130	164	0.9
132	164	1.3
134	164	1.5
136	164	1.4
138	164	1
140	164	0.5
142	164	-0.2
144	164	-1.1
146	164	-2.2
148	164	-3.2
150	164	-4.3
152	164	-5.1
154	164	-5.6
156	164	-5.6
158	164	-5.3
160	164	-4.8
162	164	-4.3
164	164	-3.8
166	164	-3.4
168	164	-3.1
170	164	-2.9
172	164	-2.8
174	164	-2.9
176	164	-3.1
178	164	-3.4
180	164	-3.8
-180	166	-1.5
-178	166	-1.2
-176	166	-0.9
-174	166	-0.5
-172	166	-0.1
-170	166	0.3
-168	166	0.7
-166	166	1
-164	166	1.3
-162	166	1.5
-160	166	1.6
-158	166	1.6
-156	166	1.5
-154	166	1.2
-152	166	0.8
-150	166	0.1
-148	166	-0.8
-146	166	-1.9

-144	166	-3.4
-142	166	-5.3
-140	166	-7.2
-138	166	-8.2
-136	166	-7.4
-134	166	-5.5
-132	166	-3.7
-130	166	-2.3
-128	166	-1.2
-126	166	-0.5
-124	166	-0.3
-122	166	-0.4
-120	166	-0.9
-118	166	-1.8
-116	166	-3.3
-114	166	-5.6
-112	166	-8.7
-110	166	-11.8
-108	166	-10.9
-106	166	-7.6
-104	166	-4.9
-102	166	-3.1
-100	166	-2.1
-98	166	-1.6
-96	166	-1.6
-94	166	-2.3
-92	166	-3.5
-90	166	-5.7
-88	166	-9.3
-86	166	-17
-84	166	-22.3
-82	166	-10.9
-80	166	-6.4
-78	166	-3.7
-76	166	-2.1
-74	166	-1.1
-72	166	-0.6
-70	166	-0.6
-68	166	-1
-66	166	-1.8
-64	166	-3.2
-62	166	-5.2
-60	166	-8.2
-58	166	-11.8
-56	166	-12.7
-54	166	-9.1
-52	166	-5.8
-50	166	-3.4
-48	166	-1.7
-46	166	-0.4
-44	166	0.5
-42	166	1.1
-40	166	1.6
-38	166	1.8
-36	166	1.9
-34	166	1.9
-32	166	1.8
-30	166	1.6
-28	166	1.3
-26	166	0.9
-24	166	0.6
-22	166	0.1
-20	166	-0.3
-18	166	-0.7
-16	166	-1
-14	166	-1.4
-12	166	-1.6
-10	166	-1.8
-8	166	-1.9
-6	166	-1.9
-4	166	-1.8
-2	166	-1.6
0	166	-1.4
2	166	-1.1
4	166	-0.7
6	166	-0.3
8	166	0.1
10	166	0.5
12	166	0.9
14	166	1.2
16	166	1.4
18	166	1.6
20	166	1.7
22	166	1.7
24	166	1.5
26	166	1.2
28	166	0.7
30	166	0.1
32	166	-0.9
34	166	-2.1
36	166	-3.7
38	166	-5.6
40	166	-7.5
42	166	-8.3
44	166	-7.2
46	166	-5.3
48	166	-3.5
50	166	-2
52	166	-1
54	166	-0.4
56	166	-0.1
58	166	-0.3
60	166	-0.8
62	166	-1.8
64	166	-3.4
66	166	-5.7
68	166	-9
70	166	-12.6
72	166	-11.4
74	166	-7.7
76	166	-4.9
78	166	-3.1
80	166	-2
82	166	-1.5
84	166	-1.6
86	166	-2.2
88	166	-3.4
90	166	-5.5
92	166	-9.1
94	166	-16.5
96	166	-23
98	166	-11.1
100	166	-6.5
102	166	-3.8
104	166	-2.1
106	166	-1.1
108	166	-0.6
110	166	-0.5
112	166	-0.9
114	166	-1.7
116	166	-3
118	166	-5
120	166	-7.8
122	166	-11.5
124	166	-13.2
126	166	-9.9
128	166	-6.4
130	166	-3.9

132	166	-2
134	166	-0.7
136	166	0.3
138	166	1
140	166	1.5
142	166	1.8
144	166	1.9
146	166	1.9
148	166	1.8
150	166	1.7
152	166	1.4
154	166	1.1
156	166	0.7
158	166	0.3
160	166	-0.1
162	166	-0.5
164	166	-0.9
166	166	-1.2
168	166	-1.5
170	166	-1.7
172	166	-1.8
174	166	-1.9
176	166	-1.8
178	166	-1.7
180	166	-1.5
-180	168	1.3
-178	168	1.3
-176	168	1.2
-174	168	1.1
-172	168	1
-170	168	0.8
-168	168	0.6
-166	168	0.3
-164	168	-1.17E-13
-162	168	-0.5
-160	168	-1
-158	168	-1.8
-156	168	-2.7
-154	168	-3.8
-152	168	-5.2
-150	168	-6.8
-148	168	-8.5
-146	168	-9.7
-144	168	-9.5
-142	168	-8.1
-140	168	-6.3
-138	168	-4.7
-136	168	-3.4
-134	168	-2.3
-132	168	-1.6
-130	168	-1.1
-128	168	-0.9
-126	168	-1
-124	168	-1.4
-122	168	-2.1
-120	168	-3.2
-118	168	-4.8
-116	168	-7
-114	168	-9.9
-112	168	-12.5
-110	168	-11.7
-108	168	-8.8
-106	168	-6.2
-104	168	-4.4
-102	168	-3.1
-100	168	-2.3
-98	168	-2
-96	168	-2
-94	168	-2.5
-92	168	-3.4
-90	168	-5
-88	168	-7.4
-86	168	-11.4
-84	168	-20.1
-82	168	-22.2
-80	168	-12
-78	168	-7.6
-76	168	-4.9
-74	168	-3.2
-72	168	-2
-70	168	-1.3
-68	168	-0.9
-66	168	-0.9
-64	168	-1.1
-62	168	-1.7
-60	168	-2.5
-58	168	-3.8
-56	168	-5.5
-54	168	-7.8
-52	168	-10.7
-50	168	-13.3
-48	168	-12.7
-46	168	-9.8
-44	168	-7.1
-42	168	-5.1
-40	168	-3.5
-38	168	-2.2
-36	168	-1.3
-34	168	-0.5
-32	168	0.1
-30	168	0.5
-28	168	0.9
-26	168	1.1
-24	168	1.3
-22	168	1.5
-20	168	1.5
-18	168	1.6
-16	168	1.6
-14	168	1.6
-12	168	1.6
-10	168	1.6
-8	168	1.6
-6	168	1.6
-4	168	1.5
-2	168	1.5
0	168	1.5
2	168	1.5
4	168	1.4
6	168	1.3
8	168	1.2
10	168	1.1
12	168	0.9
14	168	0.6
16	168	0.2
18	168	-0.2
20	168	-0.8
22	168	-1.6
24	168	-2.6
26	168	-3.7
28	168	-5.2
30	168	-6.9
32	168	-8.8
34	168	-10.1
36	168	-9.8
38	168	-8.2
40	168	-6.2
42	168	-4.5
44	168	-3.1

46	168	-2.1
48	168	-1.4
50	168	-0.9
52	168	-0.7
54	168	-0.8
56	168	-1.2
58	168	-1.9
60	168	-3
62	168	-4.7
64	168	-6.9
66	168	-9.9
68	168	-12.9
70	168	-12.1
72	168	-8.9
74	168	-6.2
76	168	-4.3
78	168	-3
80	168	-2.2
82	168	-1.9
84	168	-1.9
86	168	-2.3
88	168	-3.3
90	168	-4.8
92	168	-7.1
94	168	-10.9
96	168	-18.9
98	168	-23.3
100	168	-12.3
102	168	-7.7
104	168	-5
106	168	-3.2
108	168	-2
110	168	-1.3
112	168	-0.9
114	168	-0.8
116	168	-1
118	168	-1.5
120	168	-2.4
122	168	-3.6
124	168	-5.3
126	168	-7.6
128	168	-10.6
130	168	-13.8
132	168	-13.7
134	168	-10.5
136	168	-7.6
138	168	-5.3
140	168	-3.7
142	168	-2.4
144	168	-1.3
146	168	-0.6
148	168	0.1
150	168	0.5
152	168	0.9
154	168	1.2
156	168	1.3
158	168	1.5
160	168	1.5
162	168	1.6
164	168	1.6
166	168	1.6
168	168	1.5
170	168	1.5
172	168	1.5
174	168	1.4
176	168	1.4
178	168	1.4
180	168	1.3
-180	170	-4.7
-178	170	-5
-176	170	-5.4
-174	170	-5.9
-172	170	-6.5
-170	170	-7.1
-168	170	-7.8
-166	170	-8.6
-164	170	-9.4
-162	170	-10.1
-160	170	-10.4
-158	170	-10.2
-156	170	-9.5
-154	170	-8.4
-152	170	-7.2
-150	170	-6.1
-148	170	-5
-146	170	-4.1
-144	170	-3.2
-142	170	-2.6
-140	170	-2.1
-138	170	-1.7
-136	170	-1.5
-134	170	-1.4
-132	170	-1.6
-130	170	-1.9
-128	170	-2.4
-126	170	-3.1
-124	170	-4.2
-122	170	-5.6
-120	170	-7.4
-118	170	-9.7
-116	170	-12.1
-114	170	-13
-112	170	-11.2
-110	170	-8.7
-108	170	-6.6
-106	170	-5
-104	170	-3.8
-102	170	-3
-100	170	-2.5
-98	170	-2.3
-96	170	-2.3
-94	170	-2.7
-92	170	-3.4
-90	170	-4.5
-88	170	-6
-86	170	-8.3
-84	170	-11.7
-82	170	-18.1
-80	170	-30
-78	170	-15.8
-76	170	-10.5
-74	170	-7.4
-72	170	-5.3
-70	170	-3.8
-68	170	-2.8
-66	170	-2
-64	170	-1.5
-62	170	-1.3
-60	170	-1.2
-58	170	-1.3
-56	170	-1.6
-54	170	-2.1
-52	170	-2.7
-50	170	-3.5
-48	170	-4.5
-46	170	-5.7
-44	170	-7.2
-42	170	-8.8

-40	170	-10.5
-38	170	-12
-36	170	-12.6
-34	170	-12.2
-32	170	-11.1
-30	170	-9.8
-28	170	-8.6
-26	170	-7.5
-24	170	-6.6
-22	170	-5.9
-20	170	-5.3
-18	170	-4.9
-16	170	-4.5
-14	170	-4.2
-12	170	-4.1
-10	170	-3.9
-8	170	-3.9
-6	170	-3.9
-4	170	-4
-2	170	-4.1
0	170	-4.4
2	170	-4.7
4	170	-5
6	170	-5.5
8	170	-6.1
10	170	-6.7
12	170	-7.5
14	170	-8.4
16	170	-9.3
18	170	-10.2
20	170	-10.8
22	170	-10.8
24	170	-10.1
26	170	-9
28	170	-7.7
30	170	-6.4
32	170	-5.2
34	170	-4.2
36	170	-3.3
38	170	-2.6
40	170	-2
42	170	-1.6
44	170	-1.4
46	170	-1.3
48	170	-1.4
50	170	-1.7
52	170	-2.2
54	170	-2.9
56	170	-3.9
58	170	-5.3
60	170	-7.1
62	170	-9.4
64	170	-11.8
66	170	-12.9
68	170	-11.3
70	170	-8.8
72	170	-6.7
74	170	-5
76	170	-3.8
78	170	-3
80	170	-2.5
82	170	-2.2
84	170	-2.3
86	170	-2.6
88	170	-3.3
90	170	-4.3
92	170	-5.9
94	170	-8.1
96	170	-11.5
98	170	-17.7
100	170	-36.9
102	170	-16.3
104	170	-10.8
106	170	-7.6
108	170	-5.4
110	170	-3.9
112	170	-2.8
114	170	-2.1
116	170	-1.6
118	170	-1.3
120	170	-1.2
122	170	-1.3
124	170	-1.6
126	170	-2.1
128	170	-2.7
130	170	-3.6
132	170	-4.6
134	170	-5.8
136	170	-7.3
138	170	-9
140	170	-10.7
142	170	-12.3
144	170	-12.9
146	170	-12.4
148	170	-11.2
150	170	-9.9
152	170	-8.6
154	170	-7.6
156	170	-6.7
158	170	-6
160	170	-5.4
162	170	-5
164	170	-4.7
166	170	-4.4
168	170	-4.3
170	170	-4.2
172	170	-4.1
174	170	-4.2
176	170	-4.3
178	170	-4.5
180	170	-4.7
-180	172	-5.8
-178	172	-5.6
-176	172	-5.3
-174	172	-5
-172	172	-4.7
-170	172	-4.4
-168	172	-4
-166	172	-3.7
-164	172	-3.3
-162	172	-3
-160	172	-2.6
-158	172	-2.3
-156	172	-2.1
-154	172	-1.9
-152	172	-1.7
-150	172	-1.5
-148	172	-1.5
-146	172	-1.5
-144	172	-1.5
-142	172	-1.7
-140	172	-1.9
-138	172	-2.3
-136	172	-2.8
-134	172	-3.4
-132	172	-4.2
-130	172	-5.1
-128	172	-6.4

-126	172	-7.9
-124	172	-9.7
-122	172	-11.8
-120	172	-13.5
-118	172	-13.6
-116	172	-11.9
-114	172	-9.8
-112	172	-7.9
-110	172	-6.3
-108	172	-5.1
-106	172	-4.1
-104	172	-3.4
-102	172	-2.9
-100	172	-2.6
-98	172	-2.5
-96	172	-2.5
-94	172	-2.8
-92	172	-3.2
-90	172	-3.9
-88	172	-4.8
-86	172	-6
-84	172	-7.7
-82	172	-9.9
-80	172	-13.2
-78	172	-18.7
-76	172	-26.9
-74	172	-18.7
-72	172	-13.3
-70	172	-10
-68	172	-7.8
-66	172	-6.1
-64	172	-4.8
-62	172	-3.8
-60	172	-3.1
-58	172	-2.5
-56	172	-2.1
-54	172	-1.8
-52	172	-1.6
-50	172	-1.5
-48	172	-1.4
-46	172	-1.5
-44	172	-1.6
-42	172	-1.8
-40	172	-2.1
-38	172	-2.4
-36	172	-2.7
-34	172	-3.1
-32	172	-3.5
-30	172	-3.9
-28	172	-4.3
-26	172	-4.7
-24	172	-5
-22	172	-5.4
-20	172	-5.7
-18	172	-6
-16	172	-6.3
-14	172	-6.5
-12	172	-6.6
-10	172	-6.7
-8	172	-6.8
-6	172	-6.7
-4	172	-6.6
-2	172	-6.5
0	172	-6.3
2	172	-6.1
4	172	-5.8
6	172	-5.5
8	172	-5.1
10	172	-4.8
12	172	-4.4
14	172	-4
16	172	-3.6
18	172	-3.3
20	172	-2.9
22	172	-2.6
24	172	-2.3
26	172	-2
28	172	-1.8
30	172	-1.7
32	172	-1.6
34	172	-1.5
36	172	-1.6
38	172	-1.7
40	172	-1.9
42	172	-2.2
44	172	-2.7
46	172	-3.3
48	172	-4
50	172	-5
52	172	-6.1
54	172	-7.6
56	172	-9.3
58	172	-11.3
60	172	-12.9
62	172	-13.2
64	172	-11.8
66	172	-9.8
68	172	-7.9
70	172	-6.4
72	172	-5.2
74	172	-4.2
76	172	-3.5
78	172	-2.9
80	172	-2.6
82	172	-2.5
84	172	-2.5
86	172	-2.8
88	172	-3.2
90	172	-3.9
92	172	-4.8
94	172	-6
96	172	-7.7
98	172	-10
100	172	-13.3
102	172	-18.8
104	172	-29.3
106	172	-19.1
108	172	-13.5
110	172	-10.1
112	172	-7.9
114	172	-6.2
116	172	-4.9
118	172	-3.9
120	172	-3.2
122	172	-2.6
124	172	-2.1
126	172	-1.8
128	172	-1.6
130	172	-1.5
132	172	-1.5
134	172	-1.6
136	172	-1.7
138	172	-1.9
140	172	-2.2
142	172	-2.5
144	172	-2.8
146	172	-3.1
148	172	-3.5

150	172	-3.9
152	172	-4.2
154	172	-4.6
156	172	-5
158	172	-5.3
160	172	-5.6
162	172	-5.8
164	172	-6
166	172	-6.2
168	172	-6.3
170	172	-6.3
172	172	-6.3
174	172	-6.3
176	172	-6.2
178	172	-6
180	172	-5.8
-180	174	-1.4
-178	174	-1.4
-176	174	-1.4
-174	174	-1.4
-172	174	-1.5
-170	174	-1.5
-168	174	-1.6
-166	174	-1.6
-164	174	-1.7
-162	174	-1.9
-160	174	-2
-158	174	-2.2
-156	174	-2.4
-154	174	-2.7
-152	174	-3
-150	174	-3.4
-148	174	-3.8
-146	174	-4.4
-144	174	-5
-142	174	-5.8
-140	174	-6.6
-138	174	-7.7
-136	174	-8.9
-134	174	-10.4
-132	174	-12.1
-130	174	-13.9
-128	174	-15.3
-126	174	-15.4
-124	174	-14.1
-122	174	-12.2
-120	174	-10.4
-118	174	-8.8
-116	174	-7.4
-114	174	-6.3
-112	174	-5.3
-110	174	-4.5
-108	174	-3.9
-106	174	-3.4
-104	174	-3
-102	174	-2.7
-100	174	-2.5
-98	174	-2.5
-96	174	-2.5
-94	174	-2.6
-92	174	-2.9
-90	174	-3.2
-88	174	-3.7
-86	174	-4.3
-84	174	-5.1
-82	174	-6.1
-80	174	-7.2
-78	174	-8.7
-76	174	-10.5
-74	174	-12.9
-72	174	-16.2
-70	174	-21.3
-68	174	-26.3
-66	174	-20.7
-64	174	-16
-62	174	-12.9
-60	174	-10.7
-58	174	-9
-56	174	-7.7
-54	174	-6.6
-52	174	-5.7
-50	174	-4.9
-48	174	-4.3
-46	174	-3.8
-44	174	-3.4
-42	174	-3
-40	174	-2.7
-38	174	-2.4
-36	174	-2.2
-34	174	-2.1
-32	174	-1.9
-30	174	-1.8
-28	174	-1.7
-26	174	-1.7
-24	174	-1.6
-22	174	-1.6
-20	174	-1.6
-18	174	-1.5
-16	174	-1.5
-14	174	-1.5
-12	174	-1.5
-10	174	-1.5
-8	174	-1.5
-6	174	-1.5
-4	174	-1.5
-2	174	-1.5
0	174	-1.5
2	174	-1.5
4	174	-1.5
6	174	-1.6
8	174	-1.6
10	174	-1.6
12	174	-1.7
14	174	-1.8
16	174	-1.9
18	174	-2
20	174	-2.1
22	174	-2.3
24	174	-2.5
26	174	-2.8
28	174	-3.1
30	174	-3.4
32	174	-3.9
34	174	-4.4
36	174	-5
38	174	-5.7
40	174	-6.6
42	174	-7.6
44	174	-8.8
46	174	-10.1
48	174	-11.7
50	174	-13.4
52	174	-14.7
54	174	-14.9
56	174	-13.9
58	174	-12.2
60	174	-10.4
62	174	-8.9

64	174	-7.5
66	174	-6.4
68	174	-5.4
70	174	-4.6
72	174	-4
74	174	-3.5
76	174	-3.1
78	174	-2.8
80	174	-2.6
82	174	-2.6
84	174	-2.6
86	174	-2.7
88	174	-3
90	174	-3.3
92	174	-3.8
94	174	-4.4
96	174	-5.2
98	174	-6.1
100	174	-7.3
102	174	-8.8
104	174	-10.6
106	174	-13
108	174	-16.4
110	174	-21.5
112	174	-26.5
114	174	-20.8
116	174	-16.1
118	174	-13
120	174	-10.8
122	174	-9.1
124	174	-7.8
126	174	-6.7
128	174	-5.8
130	174	-5
132	174	-4.4
134	174	-3.9
136	174	-3.4
138	174	-3.1
140	174	-2.8
142	174	-2.5
144	174	-2.3
146	174	-2.1
148	174	-2
150	174	-1.9
152	174	-1.8
154	174	-1.7
156	174	-1.6
158	174	-1.6
160	174	-1.6
162	174	-1.5
164	174	-1.5
166	174	-1.5
168	174	-1.5
170	174	-1.4
172	174	-1.4
174	174	-1.4
176	174	-1.4
178	174	-1.4
180	174	-1.4
-180	176	-7.9
-178	176	-8
-176	176	-8.2
-174	176	-8.4
-172	176	-8.7
-170	176	-9.1
-168	176	-9.5
-166	176	-9.9
-164	176	-10.4
-162	176	-11.1
-160	176	-11.8
-158	176	-12.6
-156	176	-13.5
-154	176	-14.6
-152	176	-15.8
-150	176	-17
-148	176	-18
-146	176	-18.6
-144	176	-18.3
-142	176	-17.2
-140	176	-15.8
-138	176	-14.3
-136	176	-12.8
-134	176	-11.5
-132	176	-10.3
-130	176	-9.2
-128	176	-8.3
-126	176	-7.4
-124	176	-6.6
-122	176	-6
-120	176	-5.3
-118	176	-4.8
-116	176	-4.3
-114	176	-3.9
-112	176	-3.5
-110	176	-3.2
-108	176	-2.9
-106	176	-2.7
-104	176	-2.5
-102	176	-2.4
-100	176	-2.3
-98	176	-2.3
-96	176	-2.3
-94	176	-2.4
-92	176	-2.5
-90	176	-2.6
-88	176	-2.8
-86	176	-3.1
-84	176	-3.4
-82	176	-3.7
-80	176	-4.1
-78	176	-4.6
-76	176	-5.1
-74	176	-5.7
-72	176	-6.4
-70	176	-7.2
-68	176	-8.1
-66	176	-9
-64	176	-10.2
-62	176	-11.4
-60	176	-13
-58	176	-14.7
-56	176	-16.9
-54	176	-19.7
-52	176	-23.2
-50	176	-26.5
-48	176	-25.7
-46	176	-22.3
-44	176	-19.4
-42	176	-17.2
-40	176	-15.5
-38	176	-14.1
-36	176	-13
-34	176	-12.1
-32	176	-11.3
-30	176	-10.6
-28	176	-10
-26	176	-9.5
-24	176	-9.1

-22	176	-8.8
-20	176	-8.5
-18	176	-8.2
-16	176	-8.1
-14	176	-7.9
-12	176	-7.8
-10	176	-7.7
-8	176	-7.7
-6	176	-7.7
-4	176	-7.7
-2	176	-7.8
0	176	-7.9
2	176	-8
4	176	-8.2
6	176	-8.5
8	176	-8.7
10	176	-9.1
12	176	-9.5
14	176	-9.9
16	176	-10.5
18	176	-11.1
20	176	-11.8
22	176	-12.6
24	176	-13.5
26	176	-14.6
28	176	-15.7
30	176	-16.9
32	176	-18
34	176	-18.6
36	176	-18.3
38	176	-17.3
40	176	-15.9
42	176	-14.4
44	176	-12.9
46	176	-11.6
48	176	-10.4
50	176	-9.4
52	176	-8.4
54	176	-7.5
56	176	-6.8
58	176	-6.1
60	176	-5.5
62	176	-4.9
64	176	-4.4
66	176	-4
68	176	-3.6
70	176	-3.3
72	176	-3
74	176	-2.8
76	176	-2.6
78	176	-2.5
80	176	-2.4
82	176	-2.4
84	176	-2.4
86	176	-2.5
88	176	-2.6
90	176	-2.7
92	176	-2.9
94	176	-3.2
96	176	-3.4
98	176	-3.8
100	176	-4.2
102	176	-4.7
104	176	-5.2
106	176	-5.8
108	176	-6.5
110	176	-7.2
112	176	-8.1
114	176	-9.1
116	176	-10.2
118	176	-11.4
120	176	-12.9
122	176	-14.6
124	176	-16.7
126	176	-19.3
128	176	-22.3
130	176	-24.9
132	176	-24.5
134	176	-21.9
136	176	-19.3
138	176	-17.2
140	176	-15.5
142	176	-14.1
144	176	-13
146	176	-12.1
148	176	-11.3
150	176	-10.7
152	176	-10.1
154	176	-9.6
156	176	-9.2
158	176	-8.8
160	176	-8.5
162	176	-8.3
164	176	-8.1
166	176	-7.9
168	176	-7.8
170	176	-7.7
172	176	-7.7
174	176	-7.7
176	176	-7.7
178	176	-7.8
180	176	-7.9
-180	178	-7.7
-178	178	-7.6
-176	178	-7.5
-174	178	-7.4
-172	178	-7.3
-170	178	-7.2
-168	178	-7
-166	178	-6.9
-164	178	-6.7
-162	178	-6.5
-160	178	-6.3
-158	178	-6.1
-156	178	-6
-154	178	-5.8
-152	178	-5.6
-150	178	-5.4
-148	178	-5.2
-146	178	-5
-144	178	-4.8
-142	178	-4.6
-140	178	-4.4
-138	178	-4.2
-136	178	-4
-134	178	-3.8
-132	178	-3.6
-130	178	-3.5
-128	178	-3.3
-126	178	-3.2
-124	178	-3
-122	178	-2.9
-120	178	-2.8
-118	178	-2.7
-116	178	-2.6
-114	178	-2.5
-112	178	-2.4
-110	178	-2.3

-108	178	-2.2
-106	178	-2.2
-104	178	-2.1
-102	178	-2.1
-100	178	-2.1
-98	178	-2.1
-96	178	-2.1
-94	178	-2.1
-92	178	-2.1
-90	178	-2.2
-88	178	-2.2
-86	178	-2.3
-84	178	-2.3
-82	178	-2.4
-80	178	-2.5
-78	178	-2.6
-76	178	-2.7
-74	178	-2.8
-72	178	-3
-70	178	-3.1
-68	178	-3.3
-66	178	-3.4
-64	178	-3.6
-62	178	-3.8
-60	178	-3.9
-58	178	-4.1
-56	178	-4.3
-54	178	-4.5
-52	178	-4.7
-50	178	-4.9
-48	178	-5.1
-46	178	-5.3
-44	178	-5.5
-42	178	-5.7
-40	178	-5.9
-38	178	-6.1
-36	178	-6.3
-34	178	-6.5
-32	178	-6.7
-30	178	-6.9
-28	178	-7
-26	178	-7.2
-24	178	-7.3
-22	178	-7.5
-20	178	-7.6
-18	178	-7.7
-16	178	-7.8
-14	178	-7.8
-12	178	-7.9
-10	178	-7.9
-8	178	-7.9
-6	178	-7.9
-4	178	-7.9
-2	178	-7.9
0	178	-7.8
2	178	-7.7
4	178	-7.6
6	178	-7.5
8	178	-7.4
10	178	-7.3
12	178	-7.1
14	178	-7
16	178	-6.8
18	178	-6.6
20	178	-6.4
22	178	-6.2
24	178	-6
26	178	-5.8
28	178	-5.6
30	178	-5.4
32	178	-5.2
34	178	-5
36	178	-4.8
38	178	-4.6
40	178	-4.4
42	178	-4.3
44	178	-4.1
46	178	-3.9
48	178	-3.7
50	178	-3.5
52	178	-3.4
54	178	-3.2
56	178	-3.1
58	178	-3
60	178	-2.8
62	178	-2.7
64	178	-2.6
66	178	-2.5
68	178	-2.4
70	178	-2.4
72	178	-2.3
74	178	-2.2
76	178	-2.2
78	178	-2.2
80	178	-2.1
82	178	-2.1
84	178	-2.1
86	178	-2.1
88	178	-2.2
90	178	-2.2
92	178	-2.2
94	178	-2.3
96	178	-2.4
98	178	-2.5
100	178	-2.5
102	178	-2.6
104	178	-2.7
106	178	-2.9
108	178	-3
110	178	-3.1
112	178	-3.3
114	178	-3.4
116	178	-3.6
118	178	-3.8
120	178	-3.9
122	178	-4.1
124	178	-4.3
126	178	-4.5
128	178	-4.7
130	178	-4.9
132	178	-5.1
134	178	-5.3
136	178	-5.5
138	178	-5.7
140	178	-5.9
142	178	-6.1
144	178	-6.3
146	178	-6.4
148	178	-6.6
150	178	-6.8
152	178	-7
154	178	-7.1
156	178	-7.2
158	178	-7.4
160	178	-7.5
162	178	-7.6
164	178	-7.7
166	178	-7.7

168	178	-7.8
170	178	-7.8
172	178	-7.8
174	178	-7.8
176	178	-7.8
178	178	-7.7
180	178	-7.7
-180	180	-2
-178	180	-2
-176	180	-2
-174	180	-2
-172	180	-2
-170	180	-2
-168	180	-2
-166	180	-2
-164	180	-2
-162	180	-2
-160	180	-2
-158	180	-2
-156	180	-2
-154	180	-2
-152	180	-2
-150	180	-2
-148	180	-2
-146	180	-2
-144	180	-2
-142	180	-2
-140	180	-2
-138	180	-2
-136	180	-2
-134	180	-2
-132	180	-2
-130	180	-2
-128	180	-2
-126	180	-2
-124	180	-2
-122	180	-2
-120	180	-2
-118	180	-2
-116	180	-2
-114	180	-2
-112	180	-2
-110	180	-2
-108	180	-2
-106	180	-2
-104	180	-2
-102	180	-2
-100	180	-2
-98	180	-2
-96	180	-2
-94	180	-2
-92	180	-2
-90	180	-2
-88	180	-2
-86	180	-2
-84	180	-2
-82	180	-2
-80	180	-2
-78	180	-2
-76	180	-2
-74	180	-2
-72	180	-2
-70	180	-2
-68	180	-2
-66	180	-2
-64	180	-2
-62	180	-2
-60	180	-2
-58	180	-2
-56	180	-2
-54	180	-2
-52	180	-2
-50	180	-2
-48	180	-2
-46	180	-2
-44	180	-2
-42	180	-2
-40	180	-2
-38	180	-2
-36	180	-2
-34	180	-2
-32	180	-2
-30	180	-2
-28	180	-2
-26	180	-2
-24	180	-2
-22	180	-2
-20	180	-2
-18	180	-2
-16	180	-2
-14	180	-2
-12	180	-2
-10	180	-2
-8	180	-2
-6	180	-2
-4	180	-2
-2	180	-2
0	180	-2
2	180	-2
4	180	-2
6	180	-2
8	180	-2
10	180	-2
12	180	-2
14	180	-2
16	180	-2
18	180	-2
20	180	-2
22	180	-2
24	180	-2
26	180	-2
28	180	-2
30	180	-2
32	180	-2
34	180	-2
36	180	-2
38	180	-2
40	180	-2
42	180	-2
44	180	-2
46	180	-2
48	180	-2
50	180	-2
52	180	-2
54	180	-2
56	180	-2
58	180	-2
60	180	-2
62	180	-2
64	180	-2
66	180	-2
68	180	-2
70	180	-2
72	180	-2
74	180	-2
76	180	-2
78	180	-2
80	180	-2

82	180	-2
84	180	-2
86	180	-2
88	180	-2
90	180	-2
92	180	-2
94	180	-2
96	180	-2
98	180	-2
100	180	-2
102	180	-2
104	180	-2
106	180	-2
108	180	-2
110	180	-2
112	180	-2
114	180	-2
116	180	-2
118	180	-2
120	180	-2
122	180	-2
124	180	-2
126	180	-2
128	180	-2
130	180	-2
132	180	-2
134	180	-2
136	180	-2
138	180	-2
140	180	-2
142	180	-2
144	180	-2
146	180	-2
148	180	-2
150	180	-2
152	180	-2
154	180	-2
156	180	-2
158	180	-2
160	180	-2
162	180	-2
164	180	-2
166	180	-2
168	180	-2
170	180	-2
172	180	-2
174	180	-2
176	180	-2
178	180	-2
180	180	-2

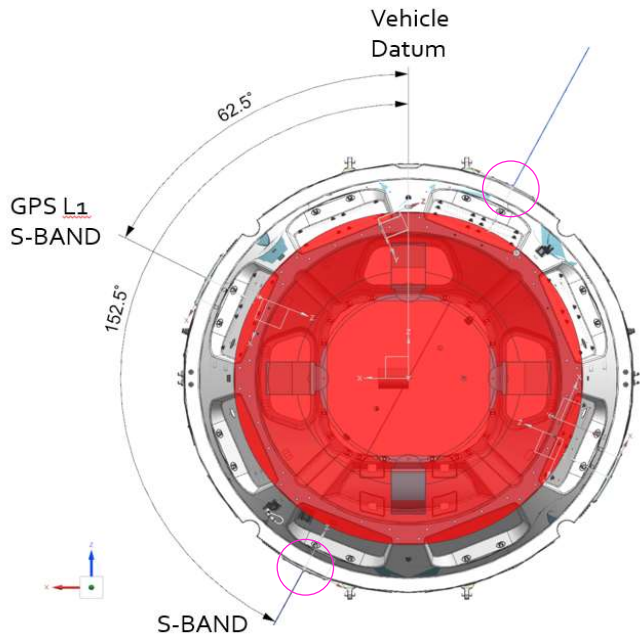
Phi[deg]	Theta[deg]	dB(GainTotal RHCP)
-180	0	-2.05836
-178	0	-2.05836
-176	0	-2.05836
-174	Pages 261-425	-2.05836
-172	Pages 426-1113	-2.05836
-170	0	-2.05836
-168	0	-2.05836
-166	0	-2.05836
-164	0	-2.05836
-162	0	-2.05836
-160	0	-2.05836
-158	0	-2.05836
-156	0	-2.05836
-154	0	-2.05836
-152	0	-2.05836
-150	0	-2.05836
-148	0	-2.05836
-146	0	-2.05836
-144	0	-2.05836
-142	0	-2.05836
-140	0	-2.05836
-138	0	-2.05836
-136	0	-2.05836
-134	0	-2.05836
-132	0	-2.05836
-130	0	-2.05836
-128	0	-2.05836
-126	0	-2.05836
-124	0	-2.05836
-122	0	-2.05836
-120	0	-2.05836
-118	0	-2.05836
-116	0	-2.05836
-114	0	-2.05836
-112	0	-2.05836
-110	0	-2.05836
-108	0	-2.05836
-106	0	-2.05836
-104	0	-2.05836
-102	0	-2.05836
-100	0	-2.05836
-98	0	-2.05836
-96	0	-2.05836
-94	0	-2.05836
-92	0	-2.05836
-90	0	-2.05836
-88	0	-2.05836
-86	0	-2.05836
-84	0	-2.05836
-82	0	-2.05836
-80	0	-2.05836
-78	0	-2.05836
-76	0	-2.05836
-74	0	-2.05836
-72	0	-2.05836
-70	0	-2.05836
-68	0	-2.05836
-66	0	-2.05836
-64	0	-2.05836
-62	0	-2.05836
-60	0	-2.05836
-58	0	-2.05836
-56	0	-2.05836
-54	0	-2.05836
-52	0	-2.05836
-50	0	-2.05836
-48	0	-2.05836
-46	0	-2.05836
-44	0	-2.05836
-42	0	-2.05836
-40	0	-2.05836
-38	0	-2.05836
-36	0	-2.05836
-34	0	-2.05836
-32	0	-2.05836
-30	0	-2.05836
-28	0	-2.05836
-26	0	-2.05836
-24	0	-2.05836
-22	0	-2.05836
-20	0	-2.05836
-18	0	-2.05836
-16	0	-2.05836
-14	0	-2.05836
-12	0	-2.05836
-10	0	-2.05836
-8	0	-2.05836
-6	0	-2.05836
-4	0	-2.05836
-2	0	-2.05836
0	0	-2.05836
2	0	-2.05836
4	0	-2.05836
6	0	-2.05836
8	0	-2.05836
10	0	-2.05836
12	0	-2.05836
14	0	-2.05836
16	0	-2.05836

SOTM ANTENNA NOTES:

PHI AND THETA ARE ANGLES WITHIN THE SOTM ANTENNA REFERENCE FRAME.
 X, Y AND Z ARE DIRECTIONS IN CARTESIAN FRAMES
 ANTENNA CARTESIAN FRAME DEFINED W.R.T. VEHICLE BODY FRAME BY DCM.
 VEHICLE BODY FRAME Y AXIS IS ORIENTATED ALONG VEHICLE MAIN AXIS (CYLINDER AXIS).
 VEHICLE BODY FRAME X AND Z AXES COLINEAR TO VEHICLE CYLINDER BASE PLANE. WITH Z AT VEHICLE DATUM.
 MAGENTA CIRCLES REPRESENT ANTENNA PAIR MOUNTINGS.
 ALL ANTENNAS ON STAGE 3 ARE RHCP.
 Angle BODY to ANT 152.5 deg
 2.661627 rad

THE COORDINATES OF THE ANTENNA FRAME VECTORS IN THE BODY FRAME ARE THE FOLLOWING

	X_BODY	Y_BODY	Z_BODY
X_ANT	0.461749	0	-0.88701
Y_ANT	-0.88701	0	-0.46175
Z_ANT	0	1	0



18	0	-2.05836
20	0	-2.05836
22	0	-2.05836
24	0	-2.05836
26	0	-2.05836
28	0	-2.05836
30	0	-2.05836
32	0	-2.05836
34	0	-2.05836
36	0	-2.05836
38	0	-2.05836
40	0	-2.05836
42	0	-2.05836
44	0	-2.05836
46	0	-2.05836
48	0	-2.05836
50	0	-2.05836
52	0	-2.05836
54	0	-2.05836
56	0	-2.05836
58	0	-2.05836
60	0	-2.05836
62	0	-2.05836
64	0	-2.05836
66	0	-2.05836
68	0	-2.05836
70	0	-2.05836
72	0	-2.05836
74	0	-2.05836
76	0	-2.05836
78	0	-2.05836
80	0	-2.05836
82	0	-2.05836
84	0	-2.05836
86	0	-2.05836
88	0	-2.05836
90	0	-2.05836
92	0	-2.05836
94	0	-2.05836
96	0	-2.05836
98	0	-2.05836
100	0	-2.05836
102	0	-2.05836
104	0	-2.05836
106	0	-2.05836
108	0	-2.05836
110	0	-2.05836
112	0	-2.05836
114	0	-2.05836
116	0	-2.05836
118	0	-2.05836
120	0	-2.05836
122	0	-2.05836
124	0	-2.05836
126	0	-2.05836
128	0	-2.05836
130	0	-2.05836
132	0	-2.05836
134	0	-2.05836
136	0	-2.05836
138	0	-2.05836
140	0	-2.05836
142	0	-2.05836
144	0	-2.05836
146	0	-2.05836
148	0	-2.05836
150	0	-2.05836
152	0	-2.05836
154	0	-2.05836
156	0	-2.05836
158	0	-2.05836
160	0	-2.05836
162	0	-2.05836
164	0	-2.05836
166	0	-2.05836
168	0	-2.05836
170	0	-2.05836
172	0	-2.05836
174	0	-2.05836
176	0	-2.05836
178	0	-2.05836
180	0	-2.05836
-180	2	0.705513
-178	2	0.704858
-176	2	0.706855
-174	2	0.711471
-172	2	0.718619
-170	2	0.728175
-168	2	0.739951
-166	2	0.753749
-164	2	0.7693
-162	2	0.786308
-160	2	0.804442
-158	2	0.823329
-156	2	0.842574
-154	2	0.861747
-152	2	0.88039
-150	2	0.89803
-148	2	0.914171
-146	2	0.928287

-144	2	0.939844
-142	2	0.948307
-140	2	0.953112
-138	2	0.95369
-136	2	0.94947
-134	2	0.939875
-132	2	0.92432
-130	2	0.902216
-128	2	0.872968
-126	2	0.83599
-124	2	0.790676
-122	2	0.736436
-120	2	0.672669
-118	2	0.598763
-116	2	0.51412
-114	2	0.418116
-112	2	0.31013
-110	2	0.189529
-108	2	0.0556677
-106	2	-0.0921146
-104	2	-0.254508
-102	2	-0.432209
-100	2	-0.625967
-98	2	-0.836539
-96	2	-1.06475
-94	2	-1.31147
-92	2	-1.57762
-90	2	-1.86421
-88	2	-2.17214
-86	2	-2.50279
-84	2	-2.8575
-82	2	-3.23774
-80	2	-3.64519
-78	2	-4.08173
-76	2	-4.54952
-74	2	-5.05107
-72	2	-5.58929
-70	2	-6.16762
-68	2	-6.79017
-66	2	-7.46186
-64	2	-8.18874
-62	2	-8.97831
-60	2	-9.83999
-58	2	-10.7859
-56	2	-11.8319
-54	2	-12.9993
-52	2	-14.3176
-50	2	-15.8288
-48	2	-17.5951
-46	2	-19.7109
-44	2	-22.3166
-42	2	-25.5528
-40	2	-28.898
-38	2	-29.1419
-36	2	-26.1828
-34	2	-23.2862
-32	2	-21.0214
-30	2	-19.2517
-28	2	-17.8356
-26	2	-16.6775
-24	2	-15.715
-22	2	-14.9059
-20	2	-14.2206
-18	2	-13.6381
-16	2	-13.1429
-14	2	-12.7233
-12	2	-12.3704
-10	2	-12.0775
-8	2	-11.8392
-6	2	-11.6517
-4	2	-11.5119
-2	2	-11.4178
0	2	-11.3678
2	2	-11.3619
4	2	-11.3994
6	2	-11.4808
8	2	-11.6074
10	2	-11.7811
12	2	-12.0046
14	2	-12.2816
16	2	-12.6171
18	2	-13.0174
20	2	-13.4907
22	2	-14.048
24	2	-14.7039
26	2	-15.478
28	2	-16.3975
30	2	-17.502
32	2	-18.8499
34	2	-20.5323
36	2	-22.6949
38	2	-25.5522
40	2	-29.0774
42	2	-30.4622
44	2	-27.1284
46	2	-23.455
48	2	-20.5627
50	2	-18.2681
52	2	-16.383
54	2	-14.7879

56	2	-13.4074
58	2	-12.1918
60	2	-11.1074
62	2	-10.13
64	2	-9.24198
66	2	-8.42994
68	2	-7.68355
70	2	-6.99475
72	2	-6.357
74	2	-5.76501
76	2	-5.21442
78	2	-4.70159
80	2	-4.22341
82	2	-3.77727
84	2	-3.36089
86	2	-2.97231
88	2	-2.60978
90	2	-2.27176
92	2	-1.9567
94	2	-1.66354
96	2	-1.39115
98	2	-1.13851
100	2	-0.904658
102	2	-0.688716
104	2	-0.489844
106	2	-0.307259
108	2	-0.140212
110	2	0.0120035
112	2	0.150098
114	2	0.274717
116	2	0.386523
118	2	0.486158
120	2	0.574242
122	2	0.651384
124	2	0.718211
126	2	0.775324
128	2	0.823323
130	2	0.86281
132	2	0.894376
134	2	0.918617
136	2	0.936133
138	2	0.947502
140	2	0.95331
142	2	0.954147
144	2	0.950578
146	2	0.943189
148	2	0.932524
150	2	0.919135
152	2	0.903565
154	2	0.886332
156	2	0.867945
158	2	0.848884
160	2	0.829613
162	2	0.810567
164	2	0.792156
166	2	0.774767
168	2	0.758723
170	2	0.744357
172	2	0.731923
174	2	0.721655
176	2	0.713746
178	2	0.708334
180	2	0.705513
-180	4	-9.28367
-178	4	-9.29519
-176	4	-9.2417
-174	4	-9.12451
-172	4	-8.9463
-170	4	-8.7112
-168	4	-8.42444
-166	4	-8.09185
-164	4	-7.71997
-162	4	-7.31538
-160	4	-6.88471
-158	4	-6.43432
-156	4	-5.97016
-154	4	-5.49775
-152	4	-5.02202
-150	4	-4.54743
-148	4	-4.07869
-146	4	-3.61844
-144	4	-3.16968
-142	4	-2.73507
-140	4	-2.31692
-138	4	-1.91725
-136	4	-1.53788
-134	4	-1.18043
-132	4	-0.846372
-130	4	-0.537047
-128	4	-0.253727
-126	4	0.00238435
-124	4	0.230129
-122	4	0.428348
-120	4	0.595893
-118	4	0.73193
-116	4	0.83486
-114	4	0.903387
-112	4	0.936107
-110	4	0.931498
-108	4	0.887884

-106	4	0.803392
-104	4	0.675899
-102	4	0.502989
-100	4	0.281847
-98	4	0.00919172
-96	4	-0.318885
-94	4	-0.707076
-92	4	-1.16112
-90	4	-1.68813
-88	4	-2.29668
-86	4	-2.99875
-84	4	-3.80962
-82	4	-4.75002
-80	4	-5.84907
-78	4	-7.14942
-76	4	-8.71707
-74	4	-10.6617
-72	4	-13.185
-70	4	-16.7137
-68	4	-22.2986
-66	4	-27.8084
-64	4	-20.839
-62	4	-16.0115
-60	4	-12.9002
-58	4	-10.6562
-56	4	-8.92615
-54	4	-7.53626
-52	4	-6.389
-50	4	-5.4242
-48	4	-4.60205
-46	4	-3.89483
-44	4	-3.2823
-42	4	-2.74925
-40	4	-2.28384
-38	4	-1.87667
-36	4	-1.52008
-34	4	-1.20772
-32	4	-0.934261
-30	4	-0.695135
-28	4	-0.48725
-26	4	-0.306361
-24	4	-0.149425
-22	4	-0.0137719
-20	4	0.102941
-18	4	0.20284
-16	4	0.287776
-14	4	0.359393
-12	4	0.419131
-10	4	0.46824
-8	4	0.507785
-6	4	0.538644
-4	4	0.561534
-2	4	0.576993
0	4	0.585379
2	4	0.585903
4	4	0.579577
6	4	0.566265
8	4	0.545644
10	4	0.517226
12	4	0.480374
14	4	0.434237
16	4	0.377817
18	4	0.309912
20	4	0.229146
22	4	0.133942
24	4	0.0224918
26	4	-0.107216
28	4	-0.257469
30	4	-0.43086
32	4	-0.631119
34	4	-0.860696
36	4	-1.12337
38	4	-1.42351
40	4	-1.76621
42	4	-2.15748
44	4	-2.60457
46	4	-3.11631
48	4	-3.70378
50	4	-4.38109
52	4	-5.16684
54	4	-6.08635
56	4	-7.17542
58	4	-8.48756
60	4	-10.1079
62	4	-12.1851
64	4	-15.014
66	4	-19.31
68	4	-27.1709
70	4	-25.5672
72	4	-18.3167
74	4	-14.2038
76	4	-11.4
78	4	-9.29077
80	4	-7.61427
82	4	-6.23584
84	4	-5.07747
86	4	-4.08998
88	4	-3.24044
90	4	-2.50574
92	4	-1.86866

94	4	-1.31691
96	4	-0.84078
98	4	-0.432594
100	4	-0.0862224
102	4	0.203344
104	4	0.440235
106	4	0.627919
108	4	0.769354
110	4	0.867067
112	4	0.923267
114	4	0.939904
116	4	0.918717
118	4	0.861266
120	4	0.768994
122	4	0.64359
124	4	0.485968
126	4	0.29732
128	4	0.0788181
130	4	-0.168398
132	4	-0.443144
134	4	-0.744255
136	4	-1.07046
138	4	-1.42045
140	4	-1.79279
142	4	-2.18591
144	4	-2.59805
146	4	-3.02727
148	4	-3.47132
150	4	-3.92769
152	4	-4.39437
154	4	-4.86721
156	4	-5.34247
158	4	-5.81588
160	4	-6.2827
162	4	-6.7376
164	4	-7.17484
166	4	-7.58819
168	4	-7.97118
170	4	-8.31717
172	4	-8.61968
174	4	-8.87251
176	4	-9.07025
178	4	-9.20839
180	4	-9.28367
-180	6	-2.52202
-178	6	-2.51753
-176	6	-2.54957
-174	6	-2.61884
-172	6	-2.72674
-170	6	-2.87563
-168	6	-3.06876
-166	6	-3.31047
-164	6	-3.60637
-162	6	-3.96378
-160	6	-4.39242
-158	6	-4.90489
-156	6	-5.51601
-154	6	-6.24691
-152	6	-7.12667
-150	6	-8.19655
-148	6	-9.5177
-146	6	-11.1845
-144	6	-13.3467
-142	6	-16.2181
-140	6	-19.7089
-138	6	-20.7916
-136	6	-17.3773
-134	6	-13.7898
-132	6	-10.9878
-130	6	-8.78358
-128	6	-6.99873
-126	6	-5.51911
-124	6	-4.27312
-122	6	-3.21432
-120	6	-2.31149
-118	6	-1.54308
-116	6	-0.893917
-114	6	-0.35328
-112	6	0.0863504
-110	6	0.430042
-108	6	0.681376
-106	6	0.841517
-104	6	0.910309
-102	6	0.88627
-100	6	0.766387
-98	6	0.545868
-96	6	0.217799
-94	6	-0.227515
-92	6	-0.803519
-90	6	-1.52902
-88	6	-2.43028
-86	6	-3.54768
-84	6	-4.94297
-82	6	-6.71882
-80	6	-9.06374
-78	6	-12.3801
-76	6	-17.7572
-74	6	-26.4886
-72	6	-38.4554
-70	6	-53.8746

-68	6	-9.5149
-66	6	-7.17445
-64	6	-5.41878
-62	6	-4.04656
-60	6	-2.94835
-58	6	-2.05791
-56	6	-1.33195
-54	6	-0.740443
-52	6	-0.261554
-50	6	0.121215
-48	6	0.420806
-46	6	0.647892
-44	6	0.810916
-42	6	0.91723
-40	6	0.972295
-38	6	0.982624
-36	6	0.953604
-34	6	0.890108
-32	6	0.79675
-30	6	0.677965
-28	6	0.538058
-26	6	0.381264
-24	6	0.211776
-22	6	0.0337526
-20	6	-0.148667
-18	6	-0.332391
-16	6	-0.51282
-14	6	-0.685625
-12	6	-0.847046
-10	6	-0.993528
-8	6	-1.12178
-6	6	-1.22896
-4	6	-1.3126
-2	6	-1.37075
0	6	-1.40207
2	6	-1.40727
4	6	-1.38479
6	6	-1.33515
8	6	-1.25952
10	6	-1.15966
12	6	-1.03786
14	6	-0.896863
16	6	-0.739851
18	6	-0.570257
20	6	-0.392223
22	6	-0.210179
24	6	-0.0271579
26	6	0.152758
28	6	0.32543
30	6	0.486702
32	6	0.632408
34	6	0.758309
36	6	0.860123
38	6	0.933461
40	6	0.973765
42	6	0.976105
44	6	0.934597
46	6	0.844628
48	6	0.700003
50	6	0.493973
52	6	0.21801
54	6	-0.13774
56	6	-0.585353
58	6	-1.14011
60	6	-1.82203
62	6	-2.65828
64	6	-3.68756
66	6	-4.96798
68	6	-6.59347
70	6	-8.73159
72	6	-11.729
74	6	-16.5054
76	6	-26.5491
78	6	-20.786
80	6	-13.856
82	6	-10.0118
84	6	-7.40308
86	6	-5.46658
88	6	-3.96109
90	6	-2.76173
92	6	-1.79529
94	6	-1.01652
96	6	-0.394939
98	6	0.090558
100	6	0.454948
102	6	0.709005
104	6	0.860477
106	6	0.914792
108	6	0.875506
110	6	0.744747
112	6	0.52333
114	6	0.209861
116	6	-0.19819
118	6	-0.705183
120	6	-1.31768
122	6	-2.04512
124	6	-2.90083
126	6	-3.9036
128	6	-5.08028
130	6	-6.47009

132	6	-8.13174
134	6	-10.1537
136	6	-12.6722
138	6	-15.8296
140	6	-19.1961
142	6	-19.718
144	6	-16.8565
146	6	-13.9487
148	6	-11.6783
150	6	-9.91849
152	6	-8.5247
154	6	-7.39805
156	6	-6.47315
158	6	-5.70562
160	6	-5.06421
162	6	-4.52723
164	6	-4.07724
166	6	-3.70097
168	6	-3.38843
170	6	-3.13193
172	6	-2.92545
174	6	-2.76427
176	6	-2.64485
178	6	-2.56466
180	6	-2.52202
-180	8	0.977673
-178	8	0.975545
-176	8	0.980288
-174	8	0.99135
-172	8	1.00753
-170	8	1.02702
-168	8	1.0473
-166	8	1.06536
-164	8	1.07602
-162	8	1.07627
-160	8	1.06173
-158	8	1.02709
-156	8	0.966385
-154	8	0.873016
-152	8	0.73949
-150	8	0.557218
-148	8	0.315007
-146	8	0.00296909
-144	8	-0.392704
-142	8	-0.889152
-140	8	-1.50831
-138	8	-2.27948
-136	8	-3.24368
-134	8	-4.4613
-132	8	-6.02796
-130	8	-8.11001
-128	8	-11.0263
-126	8	-15.4455
-124	8	-20.9273
-122	8	-16.787
-120	8	-11.6318
-118	8	-8.22383
-116	8	-5.79757
-114	8	-3.97154
-112	8	-2.55782
-110	8	-1.45391
-108	8	-0.599537
-106	8	0.0422265
-104	8	0.494353
-102	8	0.770438
-100	8	0.875988
-98	8	0.811112
-96	8	0.569963
-94	8	0.139909
-92	8	-0.500557
-90	8	-1.38596
-88	8	-2.57115
-86	8	-4.15095
-84	8	-6.29808
-82	8	-9.37743
-80	8	-14.371
-78	8	-24.2302
-76	8	-17.222
-74	8	-10.9701
-72	8	-7.42043
-70	8	-5.0349
-68	8	-3.30668
-66	8	-2.01101
-64	8	-1.02904
-62	8	-0.290368
-60	8	0.249993
-58	8	0.622881
-56	8	0.849336
-54	8	0.944709
-52	8	0.920241
-50	8	0.78414
-48	8	0.541984
-46	8	0.196894
-44	8	-0.24781
-42	8	-0.791379
-40	8	-1.43395
-38	8	-2.17797
-36	8	-3.02765
-34	8	-3.98862
-32	8	-5.06823

-30	8	-6.27527
-28	8	-7.62025
-26	8	-9.10663
-24	8	-10.725
-22	8	-12.4272
-20	8	-14.0765
-18	8	-15.3949
-16	8	-16.0417
-14	8	-15.9202
-12	8	-15.2958
-10	8	-14.5038
-8	8	-13.7491
-6	8	-13.1188
-4	8	-12.64
-2	8	-12.3175
0	8	-12.1493
2	8	-12.1352
4	8	-12.2737
6	8	-12.568
8	8	-13.0229
10	8	-13.6407
12	8	-14.4077
14	8	-15.2652
16	8	-16.0484
18	8	-16.4248
20	8	-16.0261
22	8	-14.8244
24	8	-13.1665
26	8	-11.3996
28	8	-9.70457
30	8	-8.14646
32	8	-6.7396
34	8	-5.47737
36	8	-4.34939
38	8	-3.34535
40	8	-2.45651
42	8	-1.67579
44	8	-0.998178
46	8	-0.421329
48	8	0.0561817
50	8	0.433171
52	8	0.708737
54	8	0.879789
56	8	0.941158
58	8	0.885487
60	8	0.702631
62	8	0.379143
64	8	-0.104769
66	8	-0.776235
68	8	-1.67492
70	8	-2.86179
72	8	-4.43729
74	8	-6.58468
76	8	-9.69547
78	8	-14.8754
80	8	-26.6561
82	8	-17.1072
84	8	-10.7619
86	8	-7.19142
88	8	-4.78582
90	8	-3.04138
92	8	-1.73744
94	8	-0.760219
96	8	-0.0435875
98	8	0.452892
100	8	0.754497
102	8	0.87651
104	8	0.826899
106	8	0.608149
108	8	0.215955
110	8	-0.360446
112	8	-1.14002
114	8	-2.15375
116	8	-3.4516
118	8	-5.11628
120	8	-7.29236
122	8	-10.2483
124	8	-14.4813
126	8	-19.3201
128	8	-16.6122
130	8	-11.9956
132	8	-8.8168
134	8	-6.5604
136	8	-4.87352
138	8	-3.56879
140	8	-2.5387
142	8	-1.71578
144	8	-1.05496
146	8	-0.524373
148	8	-0.100367
150	8	0.23535
152	8	0.495837
154	8	0.694569
156	8	0.841908
158	8	0.946657
160	8	1.01655
162	8	1.05844
164	8	1.07847
166	8	1.08179
168	8	1.0721

170	8	1.0553
172	8	1.03523
174	8	1.0151
176	8	0.997539
178	8	0.984598
180	8	0.977673
-180	10	-6.50485
-178	10	-6.52532
-176	10	-6.43977
-174	10	-6.25141
-172	10	-5.96665
-170	10	-5.5956
-168	10	-5.15167
-166	10	-4.65051
-164	10	-4.10601
-162	10	-3.53383
-160	10	-2.94897
-158	10	-2.36539
-156	10	-1.79651
-154	10	-1.25462
-152	10	-0.748641
-150	10	-0.288081
-148	10	0.118054
-146	10	0.461026
-144	10	0.731968
-142	10	0.920539
-140	10	1.01695
-138	10	1.00963
-136	10	0.884324
-134	10	0.62334
-132	10	0.2037
-130	10	-0.405689
-128	10	-1.24903
-126	10	-2.39393
-124	10	-3.9492
-122	10	-6.11102
-120	10	-9.29093
-118	10	-14.5216
-116	10	-20.9094
-114	10	-13.799
-112	10	-8.6844
-110	10	-5.50476
-108	10	-3.31789
-106	10	-1.7494
-104	10	-0.623659
-102	10	0.151211
-100	10	0.625801
-98	10	0.824229
-96	10	0.753379
-94	10	0.404595
-92	10	-0.248614
-90	10	-1.25799
-88	10	-2.71728
-86	10	-4.80984
-84	10	-7.93564
-82	10	-13.2318
-80	10	-23.9018
-78	10	-14.5463
-76	10	-8.67407
-74	10	-5.33861
-72	10	-3.13566
-70	10	-1.59774
-68	10	-0.515773
-66	10	0.220285
-64	10	0.674412
-62	10	0.884387
-60	10	0.872708
-58	10	0.650869
-56	10	0.221316
-54	10	-0.422272
-52	10	-1.29635
-50	10	-2.43082
-48	10	-3.87478
-46	10	-5.70788
-44	10	-8.0537
-42	10	-11.056
-40	10	-14.4338
-38	10	-15.482
-36	10	-12.8483
-34	10	-9.91854
-32	10	-7.63115
-30	10	-5.8862
-28	10	-4.53314
-26	10	-3.46614
-24	10	-2.61434
-22	10	-1.93053
-20	10	-1.37904
-18	10	-0.9333
-16	10	-0.57357
-14	10	-0.284484
-12	10	-0.0537157
-10	10	0.126864
-8	10	0.266146
-6	10	0.371178
-4	10	0.446821
-2	10	0.496685
0	10	0.523185
2	10	0.525079
4	10	0.505059
6	10	0.462178

8	10	0.394349
10	10	0.298307
12	10	0.168852
14	10	-0.000928416
16	10	-0.216706
18	10	-0.487775
20	10	-0.825699
22	10	-1.24497
24	10	-1.76485
26	10	-2.41026
28	10	-3.21207
30	10	-4.21554
32	10	-5.4867
34	10	-7.12642
36	10	-9.29222
38	10	-12.1955
40	10	-15.591
42	10	-16.0604
44	10	-12.5396
46	10	-9.12455
48	10	-6.50089
50	10	-4.48214
52	10	-2.90424
54	10	-1.66542
56	10	-0.704175
58	10	0.0164449
60	10	0.517727
62	10	0.80957
64	10	0.892623
66	10	0.758616
68	10	0.389676
70	10	-0.247117
72	10	-1.2056
74	10	-2.57738
76	10	-4.5309
78	10	-7.42243
80	10	-12.2269
82	10	-23.3484
84	10	-16.3458
86	10	-9.4209
88	10	-5.73335
90	10	-3.34634
92	10	-1.69558
94	10	-0.545588
96	10	0.221803
98	10	0.670469
100	10	0.834435
102	10	0.728279
104	10	0.35114
106	10	-0.315702
108	10	-1.31156
110	10	-2.70941
112	10	-4.64438
114	10	-7.38456
116	10	-11.5193
118	10	-17.7886
120	10	-16.175
122	10	-10.488
124	10	-6.91884
126	10	-4.52359
128	10	-2.81484
130	10	-1.56001
132	10	-0.631946
134	10	0.0452019
136	10	0.520904
138	10	0.829414
140	10	0.995867
142	10	1.0393
144	10	0.9745
146	10	0.813378
148	10	0.567844
150	10	0.247524
152	10	-0.138577
154	10	-0.581702
156	10	-1.07296
158	10	-1.60461
160	10	-2.16582
162	10	-2.74477
164	10	-3.32926
166	10	-3.90582
168	10	-4.45994
170	10	-4.97813
172	10	-5.44386
174	10	-5.84158
176	10	-6.15787
178	10	-6.38164
180	10	-6.50485
-180	12	-3.11651
-178	12	-3.10707
-176	12	-3.17939
-174	12	-3.33635
-172	12	-3.58431
-170	12	-3.93438
-168	12	-4.40286
-166	12	-5.00857
-164	12	-5.78002
-162	12	-6.75505
-160	12	-7.98153
-158	12	-9.50288
-156	12	-11.2877

-154	12	-12.9648
-152	12	-13.414
-150	12	-11.933
-148	12	-9.59148
-146	12	-7.32115
-144	12	-5.36601
-142	12	-3.73426
-140	12	-2.3882
-138	12	-1.29353
-136	12	-0.426406
-134	12	0.229348
-132	12	0.679995
-130	12	0.924735
-128	12	0.952733
-126	12	0.74488
-124	12	0.269187
-122	12	-0.527681
-120	12	-1.7301
-118	12	-3.49156
-116	12	-6.12136
-114	12	-10.3793
-112	12	-18.3907
-110	12	-15.5973
-108	12	-8.79333
-106	12	-5.03203
-104	12	-2.63434
-102	12	-1.03462
-100	12	0.00306673
-98	12	0.590729
-96	12	0.777262
-94	12	0.573313
-92	12	-0.0447635
-90	12	-1.14431
-88	12	-2.8667
-86	12	-5.52556
-84	12	-9.95093
-82	12	-19.38
-80	12	-15.7404
-78	12	-8.45418
-76	12	-4.70758
-74	12	-2.37782
-72	12	-0.851786
-70	12	0.122971
-68	12	0.67024
-66	12	0.853129
-64	12	0.700837
-62	12	0.217703
-60	12	-0.615804
-58	12	-1.84752
-56	12	-3.57481
-54	12	-5.97957
-52	12	-9.37867
-50	12	-13.8457
-48	12	-14.67
-46	12	-10.4622
-44	12	-7.03142
-42	12	-4.63207
-40	12	-2.90863
-38	12	-1.64146
-36	12	-0.701922
-34	12	-0.00994696
-32	12	0.488072
-30	12	0.830711
-28	12	1.04482
-26	12	1.15485
-24	12	1.18029
-22	12	1.13745
-20	12	1.04085
-18	12	0.902044
-16	12	0.733911
-14	12	0.549224
-12	12	0.358958
-10	12	0.173333
-8	12	-0.000380546
-6	12	-0.152408
-4	12	-0.274736
-2	12	-0.36157
0	12	-0.408845
2	12	-0.417306
4	12	-0.383613
6	12	-0.3094
8	12	-0.198164
10	12	-0.0559649
12	12	0.109145
14	12	0.29116
16	12	0.480946
18	12	0.668491
20	12	0.841909
22	12	0.989232
24	12	1.09999
26	12	1.16124
28	12	1.15884
30	12	1.07664
32	12	0.894994
34	12	0.594396
36	12	0.147823
38	12	-0.480094
40	12	-1.33811
42	12	-2.49878
44	12	-4.07703

46	12	-6.26893
48	12	-9.44316
50	12	-14.0804
52	12	-16.1234
54	12	-11.1856
56	12	-7.14567
58	12	-4.38009
60	12	-2.42129
62	12	-1.01979
64	12	-0.050176
66	12	0.553576
68	12	0.821427
70	12	0.757543
72	12	0.342765
74	12	-0.473636
76	12	-1.79039
78	12	-3.80385
80	12	-6.96073
82	12	-12.6343
84	12	-25.4307
86	12	-12.4609
88	12	-6.8294
90	12	-3.67853
92	12	-1.66996
94	12	-0.370094
96	12	0.408623
98	12	0.755246
100	12	0.707445
102	12	0.267665
104	12	-0.598955
106	12	-1.97574
108	12	-4.03662
110	12	-7.16402
112	12	-12.3123
114	12	-18.6726
116	12	-12.1574
118	12	-7.20827
120	12	-4.20595
122	12	-2.21607
124	12	-0.854488
126	12	0.0621274
128	12	0.636675
130	12	0.929513
132	12	0.977959
134	12	0.805733
136	12	0.425132
138	12	-0.159298
140	12	-0.952136
142	12	-1.96328
144	12	-3.21131
146	12	-4.72403
148	12	-6.52991
150	12	-8.63147
152	12	-10.8808
154	12	-12.6357
156	12	-12.824
158	12	-11.5329
160	12	-9.83603
162	12	-8.295
164	12	-7.02263
166	12	-5.99946
168	12	-5.18484
170	12	-4.54163
172	12	-4.04284
174	12	-3.6651
176	12	-3.39162
178	12	-3.21115
180	12	-3.11651
-180	14	1.36633
-178	14	1.36409
-176	14	1.36423
-174	14	1.36521
-172	14	1.36361
-170	14	1.35088
-168	14	1.32326
-166	14	1.27198
-164	14	1.18621
-162	14	1.05023
-160	14	0.85093
-158	14	0.570253
-156	14	0.185467
-154	14	-0.333779
-152	14	-1.02461
-150	14	-1.93664
-148	14	-3.14374
-146	14	-4.75623
-144	14	-6.94327
-142	14	-9.89137
-140	14	-13.0416
-138	14	-12.6133
-136	14	-9.06203
-134	14	-5.91079
-132	14	-3.5575
-130	14	-1.82436
-128	14	-0.572784
-126	14	0.276802
-124	14	0.764387
-122	14	0.899459
-120	14	0.664139
-118	14	0.0126936

-116	14	-1.14857
-114	14	-3.00602
-112	14	-5.9724
-110	14	-11.2059
-108	14	-20.4887
-106	14	-11.5506
-104	14	-6.04301
-102	14	-2.94731
-100	14	-1.03702
-98	14	0.103622
-96	14	0.645717
-94	14	0.650934
-92	14	0.113481
-90	14	-1.04411
-88	14	-3.01733
-86	14	-6.2993
-84	14	-12.497
-82	14	-21.3644
-80	14	-10.0686
-78	14	-5.13165
-76	14	-2.3487
-74	14	-0.652214
-72	14	0.330105
-70	14	0.759084
-68	14	0.702978
-66	14	0.174403
-64	14	-0.863925
-62	14	-2.51539
-60	14	-5.00794
-58	14	-8.8111
-56	14	-14.1053
-54	14	-13.0473
-52	14	-8.06074
-50	14	-4.72851
-48	14	-2.52473
-46	14	-1.02475
-44	14	-0.0109739
-42	14	0.638678
-40	14	1.00023
-38	14	1.12185
-36	14	1.03646
-34	14	0.766957
-32	14	0.328146
-30	14	-0.264384
-28	14	-0.999973
-26	14	-1.87029
-24	14	-2.86734
-22	14	-3.97849
-20	14	-5.18082
-18	14	-6.43833
-16	14	-7.69179
-14	14	-8.85518
-12	14	-9.8171
-10	14	-10.4886
-8	14	-10.8497
-6	14	-10.9664
-4	14	-10.9394
-2	14	-10.8665
0	14	-10.8151
2	14	-10.823
4	14	-10.8918
6	14	-10.9972
8	14	-11.0817
10	14	-11.0548
12	14	-10.8003
14	14	-10.2313
16	14	-9.34063
18	14	-8.20901
20	14	-6.94988
22	14	-5.66449
24	14	-4.42274
26	14	-3.26834
28	14	-2.22529
30	14	-1.30645
32	14	-0.52041
34	14	0.123762
36	14	0.614156
38	14	0.941262
40	14	1.09035
42	14	1.04063
44	14	0.762762
46	14	0.212915
48	14	-0.674276
50	14	-2.00293
52	14	-3.95973
54	14	-6.91666
56	14	-11.6659
58	14	-16.5221
60	14	-11.0289
62	14	-6.3225
64	14	-3.36392
66	14	-1.42011
68	14	-0.166661
70	14	0.543775
72	14	0.772437
74	14	0.525715
76	14	-0.242338
78	14	-1.65318
80	14	-3.9804
82	14	-7.94011

84	14	-16.4341
86	14	-16.9781
88	14	-8.11012
90	14	-4.03992
92	14	-1.6605
94	14	-0.231008
96	14	0.523508
98	14	0.716277
100	14	0.379192
102	14	-0.523276
104	14	-2.11069
106	14	-4.6679
108	14	-8.922
110	14	-16.5815
112	14	-13.6148
114	14	-7.33082
116	14	-3.8365
118	14	-1.67235
120	14	-0.300142
122	14	0.514293
124	14	0.88693
126	14	0.879424
128	14	0.518192
130	14	-0.19729
132	14	-1.2933
134	14	-2.82877
136	14	-4.90796
138	14	-7.663
140	14	-10.9697
142	14	-12.7134
144	14	-10.5527
146	14	-7.60473
148	14	-5.27896
150	14	-3.5423
152	14	-2.239
154	14	-1.25235
156	14	-0.50486
158	14	0.0583731
160	14	0.479228
162	14	0.788393
164	14	1.00949
166	14	1.15969
168	14	1.25817
170	14	1.31853
172	14	1.35205
174	14	1.36491
176	14	1.36802
178	14	1.36717
180	14	1.36633
-180	16	-3.51452
-178	16	-3.53565
-176	16	-3.44915
-174	16	-3.25858
-172	16	-2.97416
-170	16	-2.6086
-168	16	-2.17642
-166	16	-1.69668
-164	16	-1.1937
-162	16	-0.685831
-160	16	-0.194197
-158	16	0.259394
-156	16	0.652714
-154	16	0.968046
-152	16	1.18432
-150	16	1.27799
-148	16	1.22131
-146	16	0.984697
-144	16	0.527211
-142	16	-0.20793
-140	16	-1.30734
-138	16	-2.90254
-136	16	-5.22428
-134	16	-8.65423
-132	16	-12.914
-130	16	-11.816
-128	16	-7.31657
-126	16	-4.03897
-124	16	-1.83082
-122	16	-0.377332
-120	16	0.483571
-118	16	0.819534
-116	16	0.635644
-114	16	-0.122152
-112	16	-1.59705
-110	16	-4.1221
-108	16	-8.60832
-106	16	-18.2534
-104	16	-12.485
-102	16	-5.95901
-100	16	-2.5913
-98	16	-0.657546
-96	16	0.358267
-94	16	0.640806
-92	16	0.228286
-90	16	-0.956572
-88	16	-3.16696
-86	16	-7.13191
-84	16	-15.7887
-82	16	-14.8952
-80	16	-6.80185

-78	16	-3.00543
-76	16	-0.869602
-74	16	0.287806
-72	16	0.717257
-70	16	0.50724
-68	16	-0.350337
-66	16	-1.96234
-64	16	-4.61178
-62	16	-8.95494
-60	16	-14.6997
-58	16	-10.7492
-56	16	-5.84403
-54	16	-2.85908
-52	16	-0.981224
-50	16	0.183931
-48	16	0.829149
-46	16	1.05414
-44	16	0.916055
-42	16	0.441494
-40	16	-0.363644
-38	16	-1.51227
-36	16	-3.03942
-34	16	-4.97992
-32	16	-7.31186
-30	16	-9.65276
-28	16	-10.6899
-26	16	-9.56461
-24	16	-7.5901
-22	16	-5.76758
-20	16	-4.29744
-18	16	-3.14471
-16	16	-2.2452
-14	16	-1.54442
-12	16	-1.00353
-10	16	-0.58662
-8	16	-0.269315
-6	16	-0.0351448
-4	16	0.129652
-2	16	0.236966
0	16	0.293296
2	16	0.297998
4	16	0.255492
6	16	0.163265
8	16	0.0137111
10	16	-0.202077
12	16	-0.494808
14	16	-0.881666
16	16	-1.38917
18	16	-2.04418
20	16	-2.88702
22	16	-3.97262
24	16	-5.37179
26	16	-7.1499
28	16	-9.25637
30	16	-11.0065
32	16	-10.6979
34	16	-8.4252
36	16	-5.89443
38	16	-3.75375
40	16	-2.06357
42	16	-0.774209
44	16	0.156278
46	16	0.749724
48	16	1.00901
50	16	0.914215
52	16	0.423941
54	16	-0.545987
56	16	-2.15298
58	16	-4.71781
60	16	-8.99518
62	16	-15.8371
64	16	-11.772
66	16	-6.14886
68	16	-2.88886
70	16	-0.905317
72	16	0.229019
74	16	0.684066
76	16	0.505757
78	16	-0.354163
80	16	-2.07199
82	16	-5.10953
84	16	-11
86	16	-23.1492
88	16	-9.62789
90	16	-4.43262
92	16	-1.66686
94	16	-0.125433
96	16	0.572543
98	16	0.561043
100	16	-0.153015
102	16	-1.68632
104	16	-4.3722
106	16	-9.15473
108	16	-17.644
110	16	-10.9561
112	16	-5.38293
114	16	-2.33321
116	16	-0.533732
118	16	0.464108
120	16	0.850392

122	16	0.705781
124	16	0.0479815
126	16	-1.16355
128	16	-3.04124
130	16	-5.80174
132	16	-9.65765
134	16	-12.5433
136	16	-9.68625
138	16	-6.06637
140	16	-3.49705
142	16	-1.71871
144	16	-0.486876
146	16	0.351598
148	16	0.890849
150	16	1.19364
152	16	1.30248
154	16	1.25292
156	16	1.07372
158	16	0.788616
160	16	0.416186
162	16	-0.0212333
164	16	-0.502262
166	16	-1.00648
168	16	-1.51634
170	16	-2.00678
172	16	-2.45673
174	16	-2.84864
176	16	-3.16521
178	16	-3.3905
180	16	-3.51452
-180	18	-4.23587
-178	18	-4.22158
-176	18	-4.34128
-174	18	-4.59961
-172	18	-5.00962
-170	18	-5.57946
-168	18	-6.31733
-166	18	-7.21428
-164	18	-8.1915
-162	18	-9.01965
-160	18	-9.26805
-158	18	-8.58746
-156	18	-7.1567
-154	18	-5.45048
-152	18	-3.79695
-150	18	-2.33479
-148	18	-1.11054
-146	18	-0.138346
-144	18	0.576159
-142	18	1.02452
-140	18	1.18801
-138	18	1.03058
-136	18	0.497515
-134	18	-0.501389
-132	18	-2.12704
-130	18	-4.68622
-128	18	-8.75872
-126	18	-13.4349
-124	18	-9.77275
-122	18	-5.15037
-120	18	-2.24161
-118	18	-0.464151
-116	18	0.488273
-114	18	0.734321
-112	18	0.272716
-110	18	-1.01516
-108	18	-3.4638
-106	18	-8.05698
-104	18	-18.4812
-102	18	-11.0913
-100	18	-4.85406
-98	18	-1.73368
-96	18	-0.0902844
-94	18	0.544922
-92	18	0.301502
-90	18	-0.880894
-88	18	-3.31342
-86	18	-8.02379
-84	18	-19.654
-82	18	-10.8298
-80	18	-4.62849
-78	18	-1.57642
-76	18	0.0155454
-74	18	0.629469
-72	18	0.418573
-70	18	-0.630687
-68	18	-2.7051
-66	18	-6.3387
-64	18	-12.5803
-62	18	-12.2229
-60	18	-6.2024
-58	18	-2.7191
-56	18	-0.678425
-54	18	0.464117
-52	18	0.947536
-50	18	0.879567
-48	18	0.295128
-46	18	-0.81567
-44	18	-2.51935
-42	18	-4.92936

-40	18	-8.04092
-38	18	-10.4689
-36	18	-9.14444
-34	18	-6.23466
-32	18	-3.83895
-30	18	-2.08798
-28	18	-0.826329
-26	18	0.0734161
-24	18	0.697662
-22	18	1.11301
-20	18	1.36732
-18	18	1.49552
-16	18	1.52703
-14	18	1.4899
-12	18	1.40544
-10	18	1.29057
-8	18	1.16617
-6	18	1.04684
-4	18	0.941349
-2	18	0.863763
0	18	0.821012
2	18	0.812437
4	18	0.842993
6	18	0.909978
8	18	1.0033
10	18	1.11758
12	18	1.24155
14	18	1.35749
16	18	1.45131
18	18	1.50505
20	18	1.49503
22	18	1.39737
24	18	1.18542
26	18	0.823977
28	18	0.266334
30	18	-0.542885
32	18	-1.68582
34	18	-3.28616
36	18	-5.51849
38	18	-8.50639
40	18	-11.12
42	18	-9.6478
44	18	-6.21605
46	18	-3.43222
48	18	-1.44793
50	18	-0.112224
52	18	0.667442
54	18	0.930799
56	18	0.661934
58	18	-0.217914
60	18	-1.89262
62	18	-4.78188
64	18	-9.99833
66	18	-16.2634
68	18	-8.7753
70	18	-4.02226
72	18	-1.3749
74	18	0.064118
76	18	0.607461
78	18	0.336672
80	18	-0.827735
82	18	-3.2005
84	18	-7.77582
86	18	-19.6982
88	18	-11.4606
90	18	-4.85884
92	18	-1.68842
94	18	-0.0503638
96	18	0.561382
98	18	0.294281
100	18	-0.898799
102	18	-3.30206
104	18	-7.79631
106	18	-16.7202
108	18	-10.7378
110	18	-4.81765
112	18	-1.74989
114	18	-0.0734261
116	18	0.688694
118	18	0.716724
120	18	0.0521263
122	18	-1.36616
124	18	-3.73827
126	18	-7.45639
128	18	-11.9884
130	18	-10.1058
132	18	-5.74681
134	18	-2.81643
136	18	-0.931013
138	18	0.257088
140	18	0.936289
142	18	1.21403
144	18	1.15747
146	18	0.806697
148	18	0.183941
150	18	-0.697778
152	18	-1.82786
154	18	-3.19329
156	18	-4.76222
158	18	-6.43058

160	18	-7.94394
162	18	-8.87833
164	18	-8.93306
166	18	-8.29228
168	18	-7.38138
170	18	-6.48886
172	18	-5.72558
174	18	-5.12245
176	18	-4.68155
178	18	-4.38899
180	18	-4.23587
-180	20	1.64721
-178	20	1.64712
-176	20	1.63046
-174	20	1.59297
-172	20	1.52549
-170	20	1.42164
-168	20	1.26499
-166	20	1.03679
-164	20	0.71618
-162	20	0.270367
-160	20	-0.337912
-158	20	-1.1568
-156	20	-2.25511
-154	20	-3.71523
-152	20	-5.61146
-150	20	-7.82246
-148	20	-9.28952
-146	20	-8.24983
-144	20	-5.72485
-142	20	-3.33607
-140	20	-1.47732
-138	20	-0.146035
-136	20	0.697897
-134	20	1.06992
-132	20	0.950245
-130	20	0.269258
-128	20	-1.12056
-126	20	-3.53123
-124	20	-7.63143
-122	20	-13.2425
-120	20	-9.36959
-118	20	-4.42326
-116	20	-1.54669
-114	20	0.0290641
-112	20	0.635642
-110	20	0.349615
-108	20	-0.93563
-106	20	-3.62573
-104	20	-9.09045
-102	20	-19.6448
-100	20	-8.25505
-98	20	-3.19676
-96	20	-0.710448
-94	20	0.364102
-92	20	0.334766
-90	20	-0.816245
-88	20	-3.45442
-86	20	-8.97414
-84	20	-20.7123
-82	20	-8.16535
-80	20	-3.09022
-78	20	-0.624071
-76	20	0.444045
-74	20	0.452586
-72	20	-0.566049
-70	20	-2.83855
-68	20	-7.10806
-66	20	-14.1131
-64	20	-9.44036
-62	20	-4.14678
-60	20	-1.28313
-58	20	0.246354
-56	20	0.866974
-54	20	0.743714
-52	20	-0.0869249
-50	20	-1.69063
-48	20	-4.23754
-46	20	-7.8464
-44	20	-10.4033
-42	20	-7.78514
-40	20	-4.41072
-38	20	-2.02611
-36	20	-0.437918
-34	20	0.576467
-32	20	1.16614
-30	20	1.42356
-28	20	1.40873
-26	20	1.16633
-24	20	0.734343
-22	20	0.141571
-20	20	-0.584984
-18	20	-1.41172
-16	20	-2.30549
-14	20	-3.22563
-12	20	-4.12012
-10	20	-4.9401
-8	20	-5.63953
-6	20	-6.18673
-4	20	-6.5799

-2	20	-6.8304
0	20	-6.95857
2	20	-6.98559
4	20	-6.90846
6	20	-6.71446
8	20	-6.3832
10	20	-5.89261
12	20	-5.243
14	20	-4.45783
16	20	-3.57787
18	20	-2.65788
20	20	-1.74838
22	20	-0.892236
24	20	-0.129079
26	20	0.511147
28	20	1.00134
30	20	1.30949
32	20	1.40307
34	20	1.24324
36	20	0.774148
38	20	-0.0891418
40	20	-1.47037
42	20	-3.58029
44	20	-6.73901
46	20	-10.5824
48	20	-9.85829
50	20	-5.76081
52	20	-2.68665
54	20	-0.707238
56	20	0.426985
58	20	0.833931
60	20	0.521189
62	20	-0.619357
64	20	-2.89463
66	20	-7.13775
68	20	-15.241
70	20	-10.3574
72	20	-4.44839
74	20	-1.41435
76	20	0.104825
78	20	0.529156
80	20	-0.064956
82	20	-1.86524
84	20	-5.57594
86	20	-14.3967
88	20	-13.7223
90	20	-5.32098
92	20	-1.72437
94	20	-0.00270328
96	20	0.495571
98	20	-0.0806531
100	20	-1.87728
102	20	-5.52026
104	20	-13.2654
106	20	-12.6758
108	20	-5.28689
110	20	-1.77235
112	20	0.0111444
114	20	0.686813
116	20	0.4553
118	20	-0.685771
120	20	-2.92807
122	20	-6.7516
124	20	-11.8519
126	20	-9.33174
128	20	-4.67154
130	20	-1.79595
132	20	-0.0879977
134	20	0.83165
136	20	1.14942
138	20	0.955634
140	20	0.288748
142	20	-0.850268
144	20	-2.48816
146	20	-4.63993
148	20	-7.10337
150	20	-8.78624
152	20	-8.14236
154	20	-6.12897
156	20	-4.16911
158	20	-2.60946
160	20	-1.42452
162	20	-0.53393
164	20	0.128364
166	20	0.61438
168	20	0.967997
170	20	1.21846
172	20	1.39125
174	20	1.50855
176	20	1.58187
178	20	1.62511
180	20	1.64721
-180	22	-0.651143
-178	22	-0.668444
-176	22	-0.597765
-174	22	-0.446506
-172	22	-0.224117
-170	22	0.057256
-168	22	0.373546
-166	22	0.707228

-164	22	1.03058
-162	22	1.31553
-160	22	1.5352
-158	22	1.65363
-156	22	1.63843
-154	22	1.44809
-152	22	1.0277
-150	22	0.315034
-148	22	-0.783325
-146	22	-2.40427
-144	22	-4.71807
-142	22	-7.67265
-140	22	-9.27279
-138	22	-6.92414
-136	22	-3.79858
-134	22	-1.4718
-132	22	0.0361829
-130	22	0.829773
-128	22	0.9429
-126	22	0.320128
-124	22	-1.21628
-122	22	-4.0957
-120	22	-9.31896
-118	22	-12.8178
-116	22	-6.39884
-114	22	-2.40494
-112	22	-0.306976
-110	22	0.520481
-108	22	0.240008
-106	22	-1.2769
-104	22	-4.63532
-102	22	-12.3327
-100	22	-13.8692
-98	22	-5.17559
-96	22	-1.51952
-94	22	0.098066
-92	22	0.329608
-90	22	-0.761727
-88	22	-3.58769
-86	22	-9.98
-84	22	-17.501
-82	22	-6.26453
-80	22	-1.97659
-78	22	-0.0317648
-76	22	0.486562
-74	22	-0.224881
-72	22	-2.34226
-70	22	-6.64983
-68	22	-14.0666
-66	22	-8.56904
-64	22	-3.34027
-62	22	-0.672575
-60	22	0.572191
-58	22	0.790295
-56	22	0.091479
-54	22	-1.58871
-52	22	-4.50284
-50	22	-8.71619
-48	22	-9.69613
-46	22	-5.6445
-44	22	-2.45308
-42	22	-0.453153
-40	22	0.714979
-38	22	1.27113
-36	22	1.33286
-34	22	0.972304
-32	22	0.227709
-30	22	-0.88579
-28	22	-2.34499
-26	22	-4.08603
-24	22	-5.89209
-22	22	-7.18953
-20	22	-7.32571
-18	22	-6.42534
-16	22	-5.16433
-14	22	-3.97397
-12	22	-2.98294
-10	22	-2.19714
-8	22	-1.59755
-6	22	-1.15026
-4	22	-0.833602
-2	22	-0.629549
0	22	-0.522912
2	22	-0.512935
4	22	-0.593305
6	22	-0.771696
8	22	-1.05862
10	22	-1.46829
12	22	-2.02911
14	22	-2.76484
16	22	-3.70782
18	22	-4.87083
20	22	-6.18361
22	22	-7.33807
24	22	-7.64503
26	22	-6.6497
28	22	-4.88258
30	22	-3.04391
32	22	-1.45411
34	22	-0.208304

36	22	0.675515
38	22	1.18111
40	22	1.27693
42	22	0.912135
44	22	-0.0134485
46	22	-1.68428
48	22	-4.4406
50	22	-8.69525
52	22	-10.8862
54	22	-6.45122
56	22	-2.78905
58	22	-0.591755
60	22	0.515899
62	22	0.692123
64	22	-0.0914222
66	22	-2.09412
68	22	-6.10292
70	22	-14.4145
72	22	-10.2558
74	22	-4.03847
76	22	-1.04371
78	22	0.267153
80	22	0.309325
82	22	-0.938397
84	22	-3.97622
86	22	-10.9957
88	22	-16.5427
90	22	-5.82139
92	22	-1.77356
94	22	0.0208066
96	22	0.380649
98	22	-0.561688
100	22	-3.12096
102	22	-8.62345
104	22	-16.7842
106	22	-6.97747
108	22	-2.37275
110	22	-0.181336
112	22	0.608496
114	22	0.278449
116	22	-1.2015
118	22	-4.17862
120	22	-9.36261
122	22	-11.1986
124	22	-5.6254
126	22	-2.06087
128	22	-0.079693
130	22	0.874008
132	22	1.04427
134	22	0.52598
136	22	-0.681004
138	22	-2.64202
140	22	-5.39803
142	22	-8.23942
144	22	-8.18107
146	22	-5.5029
148	22	-3.00785
150	22	-1.19983
152	22	0.0475139
154	22	0.874344
156	22	1.37773
158	22	1.63456
160	22	1.70067
162	22	1.6167
164	22	1.42431
166	22	1.15371
168	22	0.835722
170	22	0.50126
172	22	0.170953
174	22	-0.126189
176	22	-0.372535
178	22	-0.552301
180	22	-0.651143
-180	24	-5.47898
-178	24	-5.47122
-176	24	-5.56694
-174	24	-5.75471
-172	24	-5.99019
-170	24	-6.19463
-168	24	-6.24369
-166	24	-5.99373
-164	24	-5.36552
-162	24	-4.4002
-160	24	-3.2426
-158	24	-2.04518
-156	24	-0.924097
-154	24	0.040954
-152	24	0.800693
-150	24	1.31166
-148	24	1.53551
-146	24	1.42255
-144	24	0.895732
-142	24	-0.150474
-140	24	-1.8922
-138	24	-4.59567
-136	24	-8.13659
-134	24	-8.75092
-132	24	-5.16504
-130	24	-2.09691
-128	24	-0.187901

-126	24	0.742805
-124	24	0.770414
-122	24	-0.183883
-120	24	-2.42962
-118	24	-6.82424
-116	24	-13.3356
-114	24	-7.576
-112	24	-2.76475
-110	24	-0.388224
-108	24	0.443493
-106	24	-0.0653144
-104	24	-2.14953
-102	24	-6.94661
-100	24	-19.0713
-98	24	-7.91736
-96	24	-2.54565
-94	24	-0.254618
-92	24	0.287407
-90	24	-0.716454
-88	24	-3.71103
-86	24	-11.0343
-84	24	-14.3308
-82	24	-4.84113
-80	24	-1.17307
-78	24	0.268041
-76	24	0.176991
-74	24	-1.43636
-72	24	-5.19262
-70	24	-12.786
-68	24	-9.23358
-66	24	-3.36062
-64	24	-0.542519
-62	24	0.621558
-60	24	0.571677
-58	24	-0.627008
-56	24	-3.18045
-54	24	-7.46333
-52	24	-9.98647
-50	24	-5.66716
-48	24	-2.12956
-46	24	-0.0662517
-44	24	0.983555
-42	24	1.27246
-40	24	0.916597
-38	24	-0.0465241
-36	24	-1.61546
-34	24	-3.77007
-32	24	-6.1603
-30	24	-7.31722
-28	24	-6.0904
-26	24	-4.00345
-24	24	-2.18345
-22	24	-0.808796
-20	24	0.186383
-18	24	0.888537
-16	24	1.3643
-14	24	1.67362
-12	24	1.85543
-10	24	1.94927
-8	24	1.98222
-6	24	1.97835
-4	24	1.95831
-2	24	1.93359
0	24	1.91881
2	24	1.91329
4	24	1.92383
6	24	1.94187
8	24	1.96179
10	24	1.96905
12	24	1.94574
14	24	1.87163
16	24	1.71562
18	24	1.4492
20	24	1.02707
22	24	0.401273
24	24	-0.495869
26	24	-1.74987
28	24	-3.4453
30	24	-5.56708
32	24	-7.43371
34	24	-7.17506
36	24	-4.90519
38	24	-2.52324
40	24	-0.69758
42	24	0.50652
44	24	1.10562
46	24	1.08326
48	24	0.355656
50	24	-1.27055
52	24	-4.20191
54	24	-8.98559
56	24	-10.2372
58	24	-5.13163
60	24	-1.72924
62	24	0.0623367
64	24	0.629801
66	24	0.0399917
68	24	-1.95467
70	24	-6.26926
72	24	-15.3896

74	24	-8.5856
76	24	-2.98663
78	24	-0.453647
80	24	0.343206
82	24	-0.329769
84	24	-2.78071
86	24	-8.61981
88	24	-19.7314
90	24	-6.36242
92	24	-1.83462
94	24	0.0234665
96	24	0.221281
98	24	-1.14814
100	24	-4.68186
102	24	-13.0454
104	24	-10.8289
106	24	-3.7848
108	24	-0.715013
110	24	0.465811
112	24	0.267061
114	24	-1.31086
116	24	-4.72373
118	24	-10.6767
120	24	-9.22268
122	24	-3.80076
124	24	-0.836885
126	24	0.606065
128	24	0.978717
130	24	0.440249
132	24	-1.01842
134	24	-3.52378
136	24	-6.97938
138	24	-8.53095
140	24	-5.65126
142	24	-2.65067
144	24	-0.611019
146	24	0.660309
148	24	1.35438
150	24	1.60408
152	24	1.492
154	24	1.07261
156	24	0.393817
158	24	-0.507225
160	24	-1.58045
162	24	-2.75821
164	24	-3.94169
166	24	-4.98168
168	24	-5.73237
170	24	-6.10832
172	24	-6.15542
174	24	-6.00333
176	24	-5.78354
178	24	-5.59289
180	24	-5.47898
-180	26	1.3226
-178	26	1.32795
-176	26	1.27571
-174	26	1.15465
-172	26	0.959694
-170	26	0.668154
-168	26	0.260782
-166	26	-0.298106
-164	26	-1.04372
-162	26	-2.02013
-160	26	-3.25096
-158	26	-4.67128
-156	26	-5.91766
-154	26	-6.16341
-152	26	-4.99842
-150	26	-3.16091
-148	26	-1.40203
-146	26	-0.012686
-144	26	0.92607
-142	26	1.37638
-140	26	1.29434
-138	26	0.58637
-136	26	-0.923228
-134	26	-3.5389
-132	26	-7.45353
-130	26	-8.85825
-128	26	-4.8877
-126	26	-1.6565
-124	26	0.14295
-122	26	0.753278
-120	26	0.213337
-118	26	-1.71829
-116	26	-5.85934
-114	26	-13.0552
-112	26	-7.5861
-110	26	-2.53189
-108	26	-0.223689
-106	26	0.334172
-104	26	-0.717537
-102	26	-3.9253
-100	26	-12.1419
-98	26	-11.9292
-96	26	-3.83173
-94	26	-0.696618
-92	26	0.209504
-90	26	-0.679497

-88	26	-3.82237
-86	26	-12.1229
-84	26	-11.9424
-82	26	-3.7459
-80	26	-0.609605
-78	26	0.317188
-76	26	-0.476471
-74	26	-3.28553
-72	26	-9.66786
-70	26	-11.5229
-68	26	-4.17197
-66	26	-0.78605
-64	26	0.543053
-62	26	0.414463
-60	26	-1.1189
-58	26	-4.40307
-56	26	-9.38864
-54	26	-7.78533
-52	26	-3.1576
-50	26	-0.455755
-48	26	0.865068
-46	26	1.1762
-44	26	0.629564
-42	26	-0.752543
-40	26	-3.01033
-38	26	-5.8633
-36	26	-7.19704
-34	26	-5.22474
-32	26	-2.6515
-30	26	-0.722418
-28	26	0.565449
-26	26	1.35979
-24	26	1.77057
-22	26	1.88742
-20	26	1.77119
-18	26	1.47712
-16	26	1.05184
-14	26	0.537122
-12	26	-0.0219199
-10	26	-0.588003
-8	26	-1.11803
-6	26	-1.58389
-4	26	-1.95442
-2	26	-2.2188
0	26	-2.36156
2	26	-2.38546
4	26	-2.28378
6	26	-2.06494
8	26	-1.73064
10	26	-1.30003
12	26	-0.791636
14	26	-0.240206
16	26	0.32035
18	26	0.847623
20	26	1.30141
22	26	1.63925
24	26	1.81505
26	26	1.78196
28	26	1.47649
30	26	0.827661
32	26	-0.27289
34	26	-1.96785
36	26	-4.38287
38	26	-7.04848
40	26	-7.18185
42	26	-4.40604
44	26	-1.76194
46	26	0.00368435
48	26	0.910287
50	26	0.976324
52	26	0.119127
54	26	-1.93293
56	26	-5.80855
58	26	-10.9867
60	26	-7.14099
62	26	-2.62796
64	26	-0.280794
66	26	0.516314
68	26	-0.0804717
70	26	-2.36821
72	26	-7.65311
74	26	-15.6711
76	26	-6.08196
78	26	-1.68451
80	26	0.0576646
82	26	0.0137956
84	26	-1.88281
86	26	-6.8459
88	26	-21.1569
90	26	-6.94634
92	26	-1.906
94	26	0.00860909
96	26	0.0224852
98	26	-1.84084
100	26	-6.63985
102	26	-16.7608
104	26	-6.71055
106	26	-1.84055
108	26	0.135769
110	26	0.361955

112	26	-1.00294
114	26	-4.40586
116	26	-10.6895
118	26	-8.50764
120	26	-3.07656
122	26	-0.325254
124	26	0.799426
126	26	0.709414
128	26	-0.514567
130	26	-3.01109
132	26	-6.79033
134	26	-8.30568
136	26	-4.7812
138	26	-1.68627
140	26	0.206283
142	26	1.20329
144	26	1.51727
146	26	1.26181
148	26	0.504628
150	26	-0.717476
152	26	-2.34917
154	26	-4.19709
156	26	-5.69971
158	26	-5.98255
160	26	-5.01556
162	26	-3.62318
164	26	-2.33248
166	26	-1.28585
168	26	-0.476463
170	26	0.130014
172	26	0.578046
174	26	0.896125
176	26	1.11637
178	26	1.2521
180	26	1.3226
-180	28	1.64709
-178	28	1.63593
-176	28	1.67314
-174	28	1.74799
-172	28	1.85398
-170	28	1.97008
-168	28	2.07712
-166	28	2.14466
-164	28	2.1422
-162	28	2.0288
-160	28	1.76097
-158	28	1.27951
-156	28	0.517949
-154	28	-0.610727
-152	28	-2.18866
-150	28	-4.19675
-148	28	-5.97335
-146	28	-5.77015
-144	28	-3.66403
-142	28	-1.45275
-140	28	0.159658
-138	28	1.07033
-136	28	1.2524
-134	28	0.621308
-132	28	-1.02264
-130	28	-4.08306
-128	28	-8.46289
-126	28	-7.51744
-124	28	-3.1568
-122	28	-0.513906
-120	28	0.576313
-118	28	0.284209
-116	28	-1.59737
-114	28	-5.98662
-112	28	-13.301
-110	28	-6.47936
-108	28	-1.83156
-106	28	0.0386899
-104	28	-0.00240404
-102	28	-2.0588
-100	28	-7.61178
-98	28	-17.6025
-96	28	-5.44551
-94	28	-1.23201
-92	28	0.0971864
-90	28	-0.649945
-88	28	-3.91988
-86	28	-13.2192
-84	28	-10.1285
-82	28	-2.89096
-80	28	-0.2405
-78	28	0.141627
-76	28	-1.48828
-74	28	-5.98022
-72	28	-13.9574
-70	28	-6.07887
-68	28	-1.478
-66	28	0.346336
-64	28	0.392741
-62	28	-1.21387
-60	28	-4.90231
-58	28	-9.91468
-56	28	-6.23004
-54	28	-1.92381
-52	28	0.28896

-50	28	1.08153
-48	28	0.744009
-46	28	-0.667593
-44	28	-3.21333
-42	28	-6.38597
-40	28	-6.6278
-38	28	-3.648
-36	28	-1.08104
-34	28	0.557364
-32	28	1.45701
-30	28	1.78203
-28	28	1.64541
-26	28	1.11771
-24	28	0.26439
-22	28	-0.855777
-20	28	-2.13841
-18	28	-3.41176
-16	28	-4.40984
-14	28	-4.88284
-12	28	-4.79236
-10	28	-4.34412
-8	28	-3.77631
-6	28	-3.24653
-4	28	-2.8209
-2	28	-2.52924
0	28	-2.37183
2	28	-2.35518
4	28	-2.47297
6	28	-2.73068
8	28	-3.12063
10	28	-3.63009
12	28	-4.20477
14	28	-4.72536
16	28	-4.97298
18	28	-4.71114
20	28	-3.88025
22	28	-2.67745
24	28	-1.38086
26	28	-0.200377
28	28	0.749754
30	28	1.39407
32	28	1.68018
34	28	1.53812
36	28	0.877321
38	28	-0.446203
40	28	-2.64585
42	28	-5.76299
44	28	-7.59054
46	28	-4.97026
48	28	-1.89418
50	28	0.0498619
52	28	0.883206
54	28	0.636404
56	28	-0.86059
58	28	-4.14746
60	28	-9.90264
62	28	-8.26047
64	28	-3.01947
66	28	-0.382499
68	28	0.408252
70	28	-0.456477
72	28	-3.45939
74	28	-10.8802
76	28	-11.136
78	28	-3.5472
80	28	-0.549758
82	28	0.124424
84	28	-1.21842
86	28	-5.468
88	28	-18.905
90	28	-7.57497
92	28	-1.98587
94	28	-0.0204001
96	28	-0.210872
98	28	-2.64217
100	28	-9.11371
102	28	-13.1845
104	28	-4.13746
106	28	-0.657721
108	28	0.372705
110	28	-0.442814
112	28	-3.37536
114	28	-9.52776
116	28	-9.06788
118	28	-3.11284
120	28	-0.230395
122	28	0.786592
124	28	0.382484
126	28	-1.43651
128	28	-4.90302
130	28	-8.47263
132	28	-5.67362
134	28	-1.98249
136	28	0.204055
138	28	1.23679
140	28	1.3859
142	28	0.778252
144	28	-0.546632
146	28	-2.534
148	28	-4.82234

150	28	-5.97803
152	28	-4.80106
154	28	-2.77807
156	28	-1.03736
158	28	0.236976
160	28	1.11304
162	28	1.6762
164	28	2.00542
166	28	2.15879
168	28	2.18817
170	28	2.13267
172	28	2.03035
174	28	1.90748
176	28	1.79253
178	28	1.69953
180	28	1.64709
-180	30	-3.19301
-178	30	-3.21029
-176	30	-3.13048
-174	30	-2.94718
-172	30	-2.64208
-170	30	-2.2036
-168	30	-1.63863
-166	30	-0.972649
-164	30	-0.258151
-162	30	0.450476
-160	30	1.0873
-158	30	1.59731
-156	30	1.91738
-154	30	1.99099
-152	30	1.74565
-150	30	1.09679
-148	30	-0.0754066
-146	30	-1.89963
-144	30	-4.35248
-142	30	-6.16124
-140	30	-4.84591
-138	30	-2.18194
-136	30	-0.147981
-134	30	0.94264
-132	30	1.07306
-130	30	0.135406
-128	30	-2.18785
-126	30	-6.42174
-124	30	-8.9229
-122	30	-4.28545
-120	30	-0.972426
-118	30	0.417635
-116	30	0.164024
-114	30	-1.96507
-112	30	-7.19547
-110	30	-12.6041
-108	30	-4.67147
-106	30	-0.94766
-104	30	0.140773
-102	30	-0.910294
-100	30	-4.84886
-98	30	-16.717
-96	30	-7.49722
-94	30	-1.86657
-92	30	-0.0482719
-90	30	-0.626918
-88	30	-4.00208
-86	30	-14.2778
-84	30	-8.70822
-82	30	-2.21982
-80	30	-0.0335911
-78	30	-0.243483
-76	30	-2.9024
-74	30	-9.80215
-72	30	-9.88801
-70	30	-2.90309
-68	30	-0.0963961
-66	30	0.446684
-64	30	-0.908272
-62	30	-4.56324
-60	30	-9.84068
-58	30	-5.74261
-56	30	-1.44692
-54	30	0.558111
-52	30	0.992907
-50	30	0.100694
-48	30	-2.15828
-46	30	-5.62221
-44	30	-6.81256
-42	30	-3.60441
-40	30	-0.779192
-38	30	0.875938
-36	30	1.60993
-34	30	1.61241
-32	30	0.98821
-30	30	-0.188461
-28	30	-1.82425
-26	30	-3.60489
-24	30	-4.75736
-22	30	-4.49321
-20	30	-3.2399
-18	30	-1.83907
-16	30	-0.658019
-14	30	0.253534

-12	30	0.922436
-10	30	1.40289
-8	30	1.73557
-6	30	1.95954
-4	30	2.10335
-2	30	2.18687
0	30	2.22815
2	30	2.22917
4	30	2.19661
6	30	2.12136
8	30	1.99299
10	30	1.79285
12	30	1.49297
14	30	1.06342
16	30	0.457932
18	30	-0.365019
20	30	-1.45215
22	30	-2.79281
24	30	-4.17699
26	30	-4.92892
28	30	-4.29798
30	30	-2.66149
32	30	-0.932179
34	30	0.430784
36	30	1.27666
38	30	1.54003
40	30	1.13431
42	30	-0.0910565
44	30	-2.38934
46	30	-5.85414
48	30	-7.40772
50	30	-4.07554
52	30	-1.0785
54	30	0.48998
56	30	0.732104
58	30	-0.432595
60	30	-3.50693
62	30	-9.43867
64	30	-8.30535
66	30	-2.80984
68	30	-0.247836
70	30	0.243641
72	30	-1.24102
74	30	-5.67911
76	30	-15.8399
78	30	-6.29576
80	30	-1.50312
82	30	0.0208338
84	30	-0.74607
86	30	-4.37263
88	30	-15.897
90	30	-8.24948
92	30	-2.07231
94	30	-0.060329
96	30	-0.474001
98	30	-3.55612
100	30	-12.181
102	30	-9.16564
104	30	-2.4385
106	30	-0.0160225
108	30	0.0805722
110	30	-2.00012
112	30	-7.21979
114	30	-10.7044
116	30	-3.87993
118	30	-0.458828
120	30	0.705229
122	30	0.194789
124	30	-2.01653
126	30	-6.157
128	30	-8.01311
130	30	-3.68441
132	30	-0.556383
134	30	0.97562
136	30	1.32303
138	30	0.667897
140	30	-0.939838
142	30	-3.40906
144	30	-5.70399
146	30	-5.1365
148	30	-2.70003
150	30	-0.594412
152	30	0.818232
154	30	1.65219
156	30	2.03246
158	30	2.06153
160	30	1.81138
162	30	1.35096
164	30	0.736031
166	30	0.0327656
168	30	-0.702712
170	30	-1.40224
172	30	-2.01577
174	30	-2.50457
176	30	-2.85668
178	30	-3.08162
180	30	-3.19301
-180	32	-0.341035
-178	32	-0.32515
-176	32	-0.429514

-174	32	-0.659623
-172	32	-1.02341
-170	32	-1.52254
-168	32	-2.15032
-166	32	-2.85226
-164	32	-3.48536
-162	32	-3.78395
-160	32	-3.4704
-158	32	-2.54213
-156	32	-1.29873
-154	32	-0.0698954
-152	32	0.937352
-150	32	1.60226
-148	32	1.84173
-146	32	1.56733
-144	32	0.659383
-142	32	-1.05194
-140	32	-3.66639
-138	32	-6.06351
-136	32	-4.80024
-134	32	-1.87242
-132	32	0.149252
-130	32	0.980098
-128	32	0.584922
-126	32	-1.27697
-124	32	-5.19805
-122	32	-9.2216
-120	32	-4.7628
-118	32	-1.09196
-116	32	0.338009
-114	32	-0.145343
-112	32	-2.91975
-110	32	-9.84177
-108	32	-9.36105
-106	32	-2.72479
-104	32	-0.231084
-102	32	-0.28234
-100	32	-3.02757
-98	32	-11.4982
-96	32	-10.168
-94	32	-2.60767
-92	32	-0.225568
-90	32	-0.609521
-88	32	-4.06782
-86	32	-15.2252
-84	32	-7.56632
-82	32	-1.69333
-80	32	0.0346637
-78	32	-0.830114
-76	32	-4.79531
-74	32	-13.4375
-72	32	-5.73437
-70	32	-1.07074
-68	32	0.388967
-66	32	-0.362338
-64	32	-3.52288
-62	32	-9.26522
-60	32	-6.20135
-58	32	-1.50133
-56	32	0.575905
-54	32	0.84901
-52	32	-0.445725
-50	32	-3.39927
-48	32	-6.86098
-46	32	-5.0279
-44	32	-1.50583
-42	32	0.616186
-40	32	1.52323
-38	32	1.4602
-36	32	0.560055
-34	32	-1.1043
-32	32	-3.24672
-30	32	-4.72707
-28	32	-4.04431
-26	32	-2.16585
-24	32	-0.440674
-22	32	0.815134
-20	32	1.64507
-18	32	2.13076
-16	32	2.36099
-14	32	2.40012
-12	32	2.30793
-10	32	2.13354
-8	32	1.91659
-6	32	1.69725
-4	32	1.50151
-2	32	1.35359
0	32	1.27025
2	32	1.25451
4	32	1.3121
6	32	1.43506
8	32	1.60878
10	32	1.81618
12	32	2.02665
14	32	2.20962
16	32	2.32573
18	32	2.32748
20	32	2.16607
22	32	1.77364
24	32	1.08289

26	32	0.00566141
28	32	-1.52655
30	32	-3.41659
32	32	-4.82319
34	32	-4.231
36	32	-2.20138
38	32	-0.294159
40	32	0.944605
42	32	1.39342
44	32	0.963033
46	32	-0.536028
48	32	-3.4351
50	32	-7.18524
52	32	-5.88891
54	32	-2.11126
56	32	0.0802695
58	32	0.657506
60	32	-0.394612
62	32	-3.61035
64	32	-9.97059
66	32	-7.32117
68	32	-2.11111
70	32	-0.0125149
72	32	-0.16431
74	32	-2.7972
76	32	-10.2675
78	32	-10.4227
80	32	-2.85591
82	32	-0.287145
84	32	-0.43745
86	32	-3.49053
88	32	-13.4148
90	32	-8.96965
92	32	-2.16328
94	32	-0.107721
96	32	-0.762235
98	32	-4.58626
100	32	-15.1827
102	32	-6.4231
104	32	-1.30539
106	32	0.198325
108	32	-0.718704
110	32	-4.46561
112	32	-11.4099
114	32	-5.6172
116	32	-1.07847
118	32	0.561659
120	32	0.21494
122	32	-2.0868
124	32	-6.55994
126	32	-7.33672
128	32	-2.69316
130	32	0.0997184
132	32	1.19052
134	32	0.967591
136	32	-0.462998
138	32	-3.04402
140	32	-5.65474
142	32	-4.75347
144	32	-1.93818
146	32	0.186761
148	32	1.42323
150	32	1.94518
152	32	1.89686
154	32	1.37486
156	32	0.466355
158	32	-0.731283
160	32	-2.04159
162	32	-3.16865
164	32	-3.74625
166	32	-3.64662
168	32	-3.08553
170	32	-2.37384
172	32	-1.70734
174	32	-1.15943
176	32	-0.752981
178	32	-0.483375
180	32	-0.341035
-180	34	2.67576
-178	34	2.67279
-176	34	2.65355
-174	34	2.61171
-172	34	2.52965
-170	34	2.39027
-168	34	2.16514
-166	34	1.81401
-164	34	1.29768
-162	34	0.566202
-160	34	-0.427012
-158	34	-1.67038
-156	34	-2.97189
-154	34	-3.71909
-152	34	-3.20304
-150	34	-1.72752
-148	34	-0.157159
-146	34	1.02239
-144	34	1.62635
-142	34	1.54767
-140	34	0.651624
-138	34	-1.26448

-136	34	-4.26357
-134	34	-6.12652
-132	34	-3.58346
-130	34	-0.756915
-128	34	0.684488
-126	34	0.679164
-124	34	-0.959518
-122	34	-4.86108
-120	34	-9.24518
-118	34	-4.50768
-116	34	-0.872389
-114	34	0.280505
-112	34	-0.775016
-110	34	-4.81499
-108	34	-13.2479
-106	34	-5.55334
-104	34	-1.11946
-102	34	-0.076399
-100	34	-1.80335
-98	34	-8.04396
-96	34	-13.69
-94	34	-3.46619
-92	34	-0.433384
-90	34	-0.596971
-88	34	-4.11648
-86	34	-15.9705
-84	34	-6.62873
-82	34	-1.28345
-80	34	-0.0179244
-78	34	-1.61931
-76	34	-7.26861
-74	34	-11.2826
-72	34	-3.13194
-70	34	-0.0932175
-68	34	0.144955
-66	34	-2.11883
-64	34	-7.56918
-62	34	-7.58099
-60	34	-2.07096
-58	34	0.415793
-56	34	0.774009
-54	34	-0.693512
-52	34	-4.07168
-50	34	-6.94653
-48	34	-3.64781
-46	34	-0.406098
-44	34	1.19084
-42	34	1.48806
-40	34	0.682494
-38	34	-1.13012
-36	34	-3.55474
-34	34	-4.69262
-32	34	-3.04213
-30	34	-0.81252
-28	34	0.819466
-26	34	1.79704
-24	34	2.24139
-22	34	2.27003
-20	34	1.97086
-18	34	1.42808
-16	34	0.716991
-14	34	-0.0754148
-12	34	-0.856947
-10	34	-1.54609
-8	34	-2.07508
-6	34	-2.42497
-4	34	-2.62411
-2	34	-2.71545
0	34	-2.74518
2	34	-2.746
4	34	-2.71824
6	34	-2.64267
8	34	-2.48333
10	34	-2.19088
12	34	-1.73343
14	34	-1.11777
16	34	-0.386841
18	34	0.382102
20	34	1.102
22	34	1.69141
24	34	2.0701
26	34	2.1663
28	34	1.89503
30	34	1.15742
32	34	-0.161789
34	34	-2.13535
36	34	-4.30244
38	34	-4.61879
40	34	-2.52443
42	34	-0.354642
44	34	0.942388
46	34	1.21325
48	34	0.324807
50	34	-2.02673
52	34	-6.0333
54	34	-6.88343
56	34	-2.76885
58	34	-0.166116
60	34	0.532412
62	34	-0.664422

64	34	-4.44211
66	34	-11.0182
68	34	-5.53051
70	34	-1.19292
72	34	0.0786643
74	34	-1.1561
76	34	-5.9601
78	34	-15.461
80	34	-4.70785
82	34	-0.799584
84	34	-0.27265
86	34	-2.77706
88	34	-11.4519
90	34	-9.73283
92	34	-2.25665
94	34	-0.16
96	34	-1.07112
98	34	-5.73882
100	34	-15.2626
102	34	-4.50715
104	34	-0.579108
106	34	0.0461293
108	34	-2.05167
110	34	-8.0078
112	34	-8.78016
114	34	-2.33874
116	34	0.235055
118	34	0.380343
120	34	-1.65751
122	34	-6.16112
124	34	-7.27079
126	34	-2.42425
128	34	0.321659
130	34	1.17369
132	34	0.515046
134	34	-1.58836
136	34	-4.7481
138	34	-5.38271
140	34	-2.40154
142	34	0.0944323
144	34	1.45859
146	34	1.89595
148	34	1.57415
150	34	0.601849
152	34	-0.890497
154	34	-2.57808
156	34	-3.66534
158	34	-3.38708
160	34	-2.16774
162	34	-0.824402
164	34	0.286409
166	34	1.11795
168	34	1.70888
170	34	2.10682
172	34	2.36502
174	34	2.52391
176	34	2.61171
178	34	2.65688
180	34	2.67576
-180	36	1.1245
-178	36	1.10671
-176	36	1.17452
-174	36	1.3215
-172	36	1.53288
-170	36	1.78684
-168	36	2.05593
-166	36	2.30248
-164	36	2.47846
-162	36	2.53583
-160	36	2.41308
-158	36	2.04082
-156	36	1.34648
-154	36	0.249659
-152	36	-1.27672
-150	36	-2.94727
-148	36	-3.68042
-146	36	-2.56384
-144	36	-0.705428
-142	36	0.767878
-140	36	1.48048
-138	36	1.29391
-136	36	0.0265745
-134	36	-2.56334
-132	36	-5.80114
-130	36	-4.8048
-128	36	-1.48479
-126	36	0.40686
-124	36	0.607754
-122	36	-1.06005
-120	36	-5.31372
-118	36	-9.04971
-116	36	-3.62047
-114	36	-0.449678
-112	36	0.072813
-110	36	-2.0287
-108	36	-8.48021
-106	36	-9.84972
-104	36	-2.58243
-102	36	-0.243097
-100	36	-1.00682

-98	36	-5.71898
-96	36	-17.4362
-94	36	-4.45591
-92	36	-0.670367
-90	36	-0.588558
-88	36	-4.14786
-86	36	-16.4221
-84	36	-5.84604
-82	36	-0.96909
-80	36	-0.177474
-78	36	-2.61779
-76	36	-10.2772
-74	36	-7.51244
-72	36	-1.49993
-70	36	0.252323
-68	36	-0.778552
-66	36	-4.9602
-64	36	-9.33174
-62	36	-3.32167
-60	36	0.0180436
-58	36	0.769649
-56	36	-0.57529
-54	36	-4.08232
-52	36	-6.7884
-50	36	-3.0148
-48	36	0.0826034
-46	36	1.35722
-44	36	1.17695
-42	36	-0.292209
-40	36	-2.82585
-38	36	-4.65733
-36	36	-3.08285
-34	36	-0.573549
-32	36	1.14392
-30	36	2.01661
-28	36	2.19683
-26	36	1.82008
-24	36	0.991361
-22	36	-0.155572
-20	36	-1.40084
-18	36	-2.39512
-16	36	-2.76463
-14	36	-2.4702
-12	36	-1.8095
-10	36	-1.07644
-8	36	-0.426587
-6	36	0.086314
-4	36	0.458813
-2	36	0.702775
0	36	0.829975
2	36	0.844582
4	36	0.752012
6	36	0.547963
8	36	0.222209
10	36	-0.235235
12	36	-0.822373
14	36	-1.50834
16	36	-2.18997
18	36	-2.63683
20	36	-2.55248
22	36	-1.83672
24	36	-0.727873
26	36	0.419334
28	36	1.34671
30	36	1.89959
32	36	1.96465
34	36	1.43121
36	36	0.156867
38	36	-1.96544
40	36	-4.37862
42	36	-4.35903
44	36	-1.87094
46	36	0.193562
48	36	1.07803
50	36	0.644535
52	36	-1.37504
54	36	-5.36704
56	36	-7.1945
58	36	-2.90709
60	36	-0.184062
62	36	0.364438
64	36	-1.30661
66	36	-6.22962
68	36	-10.3828
70	36	-3.44124
72	36	-0.400404
74	36	-0.325862
76	36	-3.37392
78	36	-13.0241
80	36	-7.23709
82	36	-1.52412
84	36	-0.23718
86	36	-2.20104
88	36	-9.87345
90	36	-10.5326
92	36	-2.35043
94	36	-0.214615
96	36	-1.39638
98	36	-7.01515
100	36	-12.5908

102	36	-3.12545
104	36	-0.168028
106	36	-0.442703
108	36	-3.98479
110	36	-11.1159
112	36	-4.76842
114	36	-0.534861
116	36	0.503965
118	36	-0.900118
120	36	-5.01396
122	36	-7.75391
124	36	-2.75929
126	36	0.257457
128	36	1.10542
130	36	0.203186
132	36	-2.37934
134	36	-5.51276
136	36	-4.11643
138	36	-0.881022
140	36	1.07477
142	36	1.79861
144	36	1.50626
146	36	0.342486
148	36	-1.50603
150	36	-3.30015
152	36	-3.48959
154	36	-1.98578
156	36	-0.260087
158	36	1.05902
160	36	1.92654
162	36	2.41556
164	36	2.61479
166	36	2.60433
168	36	2.44608
170	36	2.2014
172	36	1.92024
174	36	1.64222
176	36	1.40165
178	36	1.22407
180	36	1.1245
-180	38	-1.79932
-178	38	-1.7875
-176	38	-1.78522
-174	38	-1.77258
-172	38	-1.70721
-170	38	-1.53316
-168	38	-1.19789
-166	38	-0.681696
-164	38	-0.0182044
-162	38	0.711627
-160	38	1.40777
-158	38	1.96938
-156	38	2.30212
-154	38	2.3155
-152	38	1.9163
-150	38	0.998354
-148	38	-0.523089
-146	38	-2.48072
-144	38	-3.66767
-142	38	-2.54817
-140	38	-0.509755
-138	38	0.933708
-136	38	1.3647
-134	38	0.60707
-132	38	-1.60379
-130	38	-5.15423
-128	38	-5.40093
-126	38	-1.85076
-124	38	0.266369
-122	38	0.437975
-120	38	-1.56411
-118	38	-6.58905
-116	38	-7.9176
-114	38	-2.36746
-112	38	-0.0688112
-110	38	-0.586393
-108	38	-4.53132
-106	38	-13.3844
-104	38	-4.75663
-102	38	-0.764351
-100	38	-0.543679
-98	38	-4.07132
-96	38	-16.8465
-94	38	-5.59467
-92	38	-0.935119
-90	38	-0.58365
-88	38	-4.1622
-86	38	-16.5316
-84	38	-5.18365
-82	38	-0.733769
-80	38	-0.432467
-78	38	-3.83639
-76	38	-12.5977
-74	38	-4.81714
-72	38	-0.515499
-70	38	0.0731798
-68	38	-2.40805
-66	38	-8.44532
-64	38	-5.60217
-62	38	-0.814632

-60	38	0.718269
-58	38	-0.167115
-56	38	-3.46329
-54	38	-6.75848
-52	38	-3.02467
-50	38	0.187075
-48	38	1.35579
-46	38	0.865722
-44	38	-1.11788
-42	38	-3.9311
-40	38	-4.0626
-38	38	-1.32074
-36	38	0.848156
-34	38	1.92865
-32	38	2.09107
-30	38	1.49264
-28	38	0.281437
-26	38	-1.27319
-24	38	-2.51239
-22	38	-2.59619
-20	38	-1.61377
-18	38	-0.347813
-16	38	0.745305
-14	38	1.56272
-12	38	2.13225
-10	38	2.50543
-8	38	2.73248
-6	38	2.85767
-4	38	2.91874
-2	38	2.94277
0	38	2.94814
2	38	2.9419
4	38	2.92834
6	38	2.90053
8	38	2.84342
10	38	2.73242
12	38	2.53704
14	38	2.22025
16	38	1.73727
18	38	1.03788
20	38	0.0903416
22	38	-1.06252
24	38	-2.1683
26	38	-2.61613
28	38	-1.9325
30	38	-0.56523
32	38	0.752311
34	38	1.60967
36	38	1.82012
38	38	1.2405
40	38	-0.29842
42	38	-2.84338
44	38	-4.8498
46	38	-3.14473
48	38	-0.539019
50	38	0.829458
52	38	0.684016
54	38	-1.24044
56	38	-5.39079
58	38	-7.05465
60	38	-2.52604
62	38	-0.0274476
64	38	0.0470675
66	38	-2.55344
68	38	-9.31482
70	38	-7.06109
72	38	-1.60601
74	38	-0.118552
76	38	-1.7787
78	38	-8.46025
80	38	-10.7134
82	38	-2.47791
84	38	-0.320451
86	38	-1.73982
88	38	-8.57688
90	38	-11.356
92	38	-2.44273
94	38	-0.269311
96	38	-1.73388
98	38	-8.40346
100	38	-9.93276
102	38	-2.11565
104	38	-0.0149171
106	38	-1.259
108	38	-6.58138
110	38	-9.09917
112	38	-2.21303
114	38	0.289791
116	38	-0.104296
118	38	-3.32797
120	38	-8.00249
122	38	-3.7475
124	38	-0.0809176
126	38	1.04288
128	38	0.150683
130	38	-2.65868
132	38	-5.61677
134	38	-3.23671
136	38	-0.0967846
138	38	1.47027

140	38	1.67698
142	38	0.729
144	38	-1.18632
146	38	-3.24646
148	38	-3.28707
150	38	-1.35838
152	38	0.522134
154	38	1.75866
156	38	2.39049
158	38	2.53209
160	38	2.29377
162	38	1.7745
164	38	1.06968
166	38	0.284149
168	38	-0.466408
170	38	-1.08079
172	38	-1.50116
174	38	-1.72944
176	38	-1.81353
178	38	-1.81889
180	38	-1.79932
-180	40	1.4513
-178	40	1.46642
-176	40	1.38083
-174	40	1.19097
-172	40	0.88892
-170	40	0.467156
-168	40	-0.0717222
-166	40	-0.692518
-164	40	-1.2863
-162	40	-1.64242
-160	40	-1.51188
-158	40	-0.837746
-156	40	0.152287
-154	40	1.13686
-152	40	1.86457
-150	40	2.17448
-148	40	1.93734
-146	40	1.02319
-144	40	-0.667123
-142	40	-2.82709
-140	40	-3.56598
-138	40	-1.74572
-136	40	0.251073
-134	40	1.19022
-132	40	0.79175
-130	40	-1.22238
-128	40	-4.9007
-126	40	-5.51182
-124	40	-1.7921
-122	40	0.273686
-120	40	0.125322
-118	40	-2.61292
-116	40	-8.57582
-114	40	-5.66046
-112	40	-1.12434
-110	40	-0.0655125
-108	40	-2.20629
-106	40	-9.70354
-104	40	-7.88265
-102	40	-1.64781
-100	40	-0.357836
-98	40	-2.87495
-96	40	-13.2131
-94	40	-6.9048
-92	40	-1.22626
-90	40	-0.58172
-88	40	-4.16014
-86	40	-16.3238
-84	40	-4.61692
-82	40	-0.56453
-80	40	-0.773594
-78	40	-5.28388
-76	40	-11.6357
-74	40	-2.97408
-72	40	-0.0101355
-70	40	-0.582046
-68	40	-4.78616
-66	40	-8.69079
-64	40	-2.45638
-62	40	0.385635
-60	40	0.332195
-58	40	-2.35295
-56	40	-6.51643
-54	40	-3.63755
-52	40	-0.0151328
-50	40	1.29952
-48	40	0.718507
-46	40	-1.56822
-44	40	-4.33466
-42	40	-3.16952
-40	40	-0.247292
-38	40	1.51917
-36	40	2.06136
-34	40	1.57745
-32	40	0.249693
-30	40	-1.54229
-28	40	-2.66849
-26	40	-2.01536
-24	40	-0.43283

-22	40	0.998063
-20	40	1.99527
-18	40	2.58057
-16	40	2.83987
-14	40	2.85674
-12	40	2.7086
-10	40	2.45909
-8	40	2.1666
-6	40	1.87894
-4	40	1.63221
-2	40	1.45099
0	40	1.3494
2	40	1.33137
4	40	1.39845
6	40	1.54438
8	40	1.75619
10	40	2.0129
12	40	2.28342
14	40	2.52656
16	40	2.69521
18	40	2.73102
20	40	2.56964
22	40	2.1381
24	40	1.36582
26	40	0.198957
28	40	-1.26333
30	40	-2.44493
32	40	-2.28522
34	40	-0.867124
36	40	0.637577
38	40	1.53613
40	40	1.5726
42	40	0.560757
44	40	-1.6816
46	40	-4.48914
48	40	-3.91944
50	40	-1.04096
52	40	0.63169
54	40	0.569175
56	40	-1.53034
58	40	-6.08203
60	40	-6.33536
62	40	-1.75938
64	40	0.139158
66	40	-0.654832
68	40	-4.903
70	40	-11.0933
72	40	-3.64558
74	40	-0.452375
76	40	-0.84208
78	40	-5.46417
80	40	-14.7948
82	40	-3.69058
84	40	-0.514729
86	40	-1.37629
88	40	-7.49274
90	40	-12.1812
92	40	-2.53208
94	40	-0.322338
96	40	-2.07967
98	40	-9.85797
100	40	-7.84694
102	40	-1.3812
104	40	-0.0825435
106	40	-2.40703
108	40	-9.46257
110	40	-5.6639
112	40	-0.698077
114	40	0.369111
116	40	-1.55738
118	40	-6.58613
120	40	-5.50878
122	40	-0.81757
124	40	0.931244
126	40	0.349756
128	40	-2.40028
130	40	-5.52755
132	40	-2.94033
134	40	0.210784
136	40	1.58018
138	40	1.41684
140	40	-0.0676993
142	40	-2.43257
144	40	-3.52834
146	40	-1.71922
148	40	0.461729
150	40	1.84086
152	40	2.41773
154	40	2.33678
156	40	1.72919
158	40	0.742228
160	40	-0.407698
162	40	-1.3879
164	40	-1.82693
166	40	-1.63
168	40	-1.04308
170	40	-0.360511
172	40	0.254349
174	40	0.743481
176	40	1.0991

178	40	1.33098
180	40	1.4513
-180	42	3.18238
-178	42	3.17392
-176	42	3.15716
-174	42	3.12486
-172	42	3.06107
-170	42	2.94161
-168	42	2.73443
-166	42	2.40087
-164	42	1.89861
-162	42	1.18526
-160	42	0.26628
-158	42	-0.745457
-156	42	-1.49659
-154	42	-1.45987
-152	42	-0.560366
-150	42	0.6435
-148	42	1.5982
-146	42	2.00362
-144	42	1.67925
-142	42	0.467667
-140	42	-1.65965
-138	42	-3.59702
-136	42	-2.61931
-134	42	-0.321001
-132	42	0.977408
-130	42	0.759494
-128	42	-1.28026
-126	42	-5.16324
-124	42	-5.18413
-122	42	-1.35872
-120	42	0.332998
-118	42	-0.495545
-116	42	-4.53038
-114	42	-9.2857
-112	42	-3.15959
-110	42	-0.292329
-108	42	-0.90141
-106	42	-5.86337
-104	42	-11.9182
-102	42	-2.92837
-100	42	-0.415376
-98	42	-2.00533
-96	42	-10.2133
-94	42	-8.41166
-92	42	-1.54243
-90	42	-0.582359
-88	42	-4.14257
-86	42	-15.881
-84	42	-4.1277
-82	42	-0.450844
-80	42	-1.19322
-78	42	-6.94568
-76	42	-8.95917
-74	42	-1.71183
-72	42	0.110934
-70	42	-1.7009
-68	42	-7.58101
-66	42	-5.49351
-64	42	-0.591541
-62	42	0.627542
-60	42	-1.04116
-58	42	-5.36726
-56	42	-4.84006
-54	42	-0.575589
-52	42	1.19331
-50	42	0.780396
-48	42	-1.56462
-46	42	-4.35268
-44	42	-2.65777
-42	42	0.278928
-40	42	1.78167
-38	42	1.90823
-36	42	0.877095
-34	42	-1.00024
-32	42	-2.55675
-30	42	-1.97603
-28	42	-0.133724
-26	42	1.43181
-24	42	2.3812
-22	42	2.76957
-20	42	2.71526
-18	42	2.33095
-16	42	1.72494
-14	42	1.01047
-12	42	0.310708
-10	42	-0.267501
-8	42	-0.661251
-6	42	-0.869672
-4	42	-0.940468
-2	42	-0.936789
0	42	-0.910309
2	42	-0.891244
4	42	-0.88328
6	42	-0.868539
8	42	-0.808579
10	42	-0.651873
12	42	-0.351428
14	42	0.109732

16	42	0.699524
18	42	1.3402
20	42	1.93085
22	42	2.36734
24	42	2.54883
26	42	2.37415
28	42	1.74832
30	42	0.587065
32	42	-1.0403
34	42	-2.42913
36	42	-2.14152
38	42	-0.490547
40	42	0.965385
42	42	1.51983
44	42	0.915411
46	42	-1.07985
48	42	-4.14209
50	42	-4.22932
52	42	-1.20533
54	42	0.548023
56	42	0.314853
58	42	-2.29108
60	42	-7.25388
62	42	-4.87296
64	42	-0.865601
66	42	0.0485457
68	42	-2.1629
70	42	-9.1572
72	42	-6.71857
74	42	-1.3093
76	42	-0.40035
78	42	-3.48974
80	42	-14.7103
82	42	-5.20871
84	42	-0.814524
86	42	-1.09711
88	42	-6.57352
90	42	-12.9738
92	42	-2.6173
94	42	-0.3723
96	42	-2.4298
98	42	-11.2584
100	42	-6.23588
102	42	-0.860292
104	42	-0.345449
106	42	-3.89544
108	42	-10.4198
110	42	-3.19816
112	42	0.0905135
114	42	-0.19274
116	42	-3.845
118	42	-7.47158
120	42	-2.22009
122	42	0.604894
124	42	0.674297
126	42	-1.68028
128	42	-5.25677
130	42	-3.1963
132	42	0.177472
134	42	1.57011
136	42	1.22559
138	42	-0.622651
140	42	-3.07987
142	42	-2.90514
144	42	-0.42763
146	42	1.46049
148	42	2.31172
150	42	2.26938
152	42	1.49695
154	42	0.210946
156	42	-1.14799
158	42	-1.80886
160	42	-1.34387
162	42	-0.264431
164	42	0.826524
166	42	1.68817
168	42	2.30184
170	42	2.70675
172	42	2.95385
174	42	3.09044
176	42	3.15572
178	42	3.17956
180	42	3.18238
-180	44	1.89773
-178	44	1.8786
-176	44	1.93597
-174	44	2.06288
-172	44	2.2458
-170	44	2.46289
-168	44	2.68251
-166	44	2.86307
-164	44	2.95305
-162	44	2.89069
-160	44	2.61253
-158	44	2.05173
-156	44	1.15249
-154	44	-0.0393384
-152	44	-1.1941
-150	44	-1.53237
-148	44	-0.658615

-146	44	0.666168
-144	44	1.61867
-142	44	1.80773
-140	44	1.01854
-138	44	-0.894425
-136	44	-3.3003
-134	44	-3.06932
-132	44	-0.639617
-130	44	0.833762
-128	44	0.584011
-126	44	-1.75162
-124	44	-5.84123
-122	44	-4.30728
-120	44	-0.709254
-118	44	0.241992
-116	44	-1.73792
-114	44	-7.69939
-112	44	-6.28347
-110	44	-1.21681
-108	44	-0.31563
-106	44	-3.39789
-104	44	-13.1466
-102	44	-4.67278
-100	44	-0.69597
-98	44	-1.38704
-96	44	-7.99894
-94	44	-10.134
-92	44	-1.88227
-90	44	-0.585267
-88	44	-4.11068
-86	44	-15.3015
-84	44	-3.70239
-82	44	-0.38403
-80	44	-1.68376
-78	44	-8.71502
-76	44	-6.58692
-74	44	-0.86636
-72	44	-0.0948393
-70	44	-3.27984
-68	44	-8.75484
-66	44	-2.79829
-64	44	0.345372
-62	44	0.0734727
-60	44	-3.31229
-58	44	-6.14779
-56	44	-1.66826
-54	44	0.931164
-52	44	0.99475
-50	44	-1.1373
-48	44	-4.16555
-46	44	-2.62546
-44	44	0.424364
-42	44	1.84659
-40	44	1.71964
-38	44	0.281363
-36	44	-1.83714
-34	44	-2.45504
-32	44	-0.686523
-30	44	1.21316
-28	44	2.3514
-26	44	2.73204
-24	44	2.49789
-22	44	1.79624
-20	44	0.809774
-18	44	-0.186679
-16	44	-0.851119
-14	44	-0.964521
-12	44	-0.614926
-10	44	-0.0576574
-8	44	0.505387
-6	44	0.978021
-4	44	1.33131
-2	44	1.56532
0	44	1.68856
2	44	1.70815
4	44	1.62776
6	44	1.44609
8	44	1.15983
10	44	0.769861
12	44	0.294293
14	44	-0.20838
16	44	-0.61202
18	44	-0.727316
20	44	-0.405334
22	44	0.301501
24	44	1.15817
26	44	1.90036
28	44	2.32444
30	44	2.27498
32	44	1.62451
34	44	0.281183
36	44	-1.55006
38	44	-2.57096
40	44	-1.40528
42	44	0.384304
44	44	1.33111
46	44	0.984556
48	44	-0.924793
50	44	-4.1388
52	44	-4.17822

54	44	-1.02449
56	44	0.541677
58	44	-0.170886
60	44	-3.70636
62	44	-7.82784
64	44	-2.98638
66	44	-0.184938
68	44	-0.693733
70	44	-5.29431
72	44	-10.5006
74	44	-2.72559
76	44	-0.367036
78	44	-2.16815
80	44	-10.922
82	44	-7.1004
84	44	-1.21566
86	44	-0.891511
88	44	-5.78584
90	44	-13.6851
92	44	-2.69772
94	44	-0.418153
96	44	-2.77974
98	44	-12.3665
100	44	-4.97428
102	44	-0.510418
104	44	-0.78533
106	44	-5.70381
108	44	-8.3239
110	44	-1.57051
112	44	0.323625
114	44	-1.3538
116	44	-6.49194
118	44	-4.64473
120	44	-0.223709
122	44	0.902423
124	44	-0.689687
126	44	-4.45656
128	44	-3.93896
130	44	-0.187341
132	44	1.49798
134	44	1.19557
136	44	-0.8049
138	44	-3.25476
140	44	-2.30821
142	44	0.317421
144	44	1.92514
146	44	2.3388
148	44	1.7482
150	44	0.389971
152	44	-1.17697
154	44	-1.75842
156	44	-0.829641
158	44	0.607354
160	44	1.79245
162	44	2.57379
164	44	2.99421
166	44	3.13178
168	44	3.07142
170	44	2.88693
172	44	2.64129
174	44	2.38644
176	44	2.1618
178	44	1.99392
180	44	1.89773
-180	46	-0.112015
-178	46	-0.091872
-176	46	-0.05912
-174	46	-0.000177743
-172	46	0.114305
-170	46	0.320117
-168	46	0.643219
-166	46	1.08129
-164	46	1.59312
-162	46	2.10385
-160	46	2.52116
-158	46	2.74707
-156	46	2.68173
-154	46	2.23434
-152	46	1.32788
-150	46	0.00373269
-148	46	-1.27423
-146	46	-1.42078
-144	46	-0.227596
-142	46	1.09449
-140	46	1.6917
-138	46	1.20964
-136	46	-0.556779
-134	46	-3.15225
-132	46	-3.19657
-130	46	-0.658137
-128	46	0.777701
-126	46	0.234846
-124	46	-2.72303
-122	46	-6.42601
-120	46	-2.93265
-118	46	-0.105983
-116	46	-0.313533
-114	46	-4.16676
-112	46	-9.45106
-110	46	-2.86981

-108	46	-0.30383
-106	46	-1.85079
-104	46	-9.64537
-102	46	-6.99062
-100	46	-1.18948
-98	46	-0.970913
-96	46	-6.32939
-94	46	-12.0484
-92	46	-2.24459
-90	46	-0.590251
-88	46	-4.06577
-86	46	-14.6663
-84	46	-3.33092
-82	46	-0.356781
-80	46	-2.23741
-78	46	-10.2662
-76	46	-4.77077
-74	46	-0.337657
-72	46	-0.591328
-70	46	-5.24459
-68	46	-6.85565
-66	46	-1.04528
-64	46	0.578215
-62	46	-1.20097
-60	46	-5.68631
-58	46	-3.50961
-56	46	0.292851
-54	46	1.19921
-52	46	-0.392772
-50	46	-3.65203
-48	46	-3.02179
-46	46	0.248446
-44	46	1.82271
-42	46	1.63248
-40	46	-0.0317228
-38	46	-2.18888
-36	46	-1.95455
-34	46	0.253358
-32	46	1.94113
-30	46	2.65401
-28	46	2.51288
-26	46	1.6957
-24	46	0.476171
-22	46	-0.632594
-20	46	-0.963643
-18	46	-0.388665
-16	46	0.578133
-14	46	1.49349
-12	46	2.203
-10	46	2.70103
-8	46	3.02434
-6	46	3.21812
-4	46	3.32302
-2	46	3.37113
0	46	3.38473
2	46	3.37572
4	46	3.34699
6	46	3.29161
8	46	3.19381
10	46	3.02963
12	46	2.7685
14	46	2.37631
16	46	1.81966
18	46	1.09154
20	46	0.262847
22	46	-0.4468
24	46	-0.656713
26	46	-0.144862
28	46	0.806044
30	46	1.69897
32	46	2.17418
34	46	2.00983
36	46	1.0482
38	46	-0.719698
40	46	-2.44331
42	46	-1.95534
44	46	-0.0304156
46	46	1.15409
48	46	0.889918
50	46	-1.14735
52	46	-4.4987
54	46	-3.73628
56	46	-0.578165
58	46	0.480474
60	46	-1.10591
62	46	-5.98884
64	46	-6.09904
66	46	-1.27532
68	46	-0.121762
70	46	-2.7478
72	46	-10.8815
74	46	-4.78994
76	46	-0.69736
78	46	-1.3058
80	46	-7.84504
82	46	-9.44605
84	46	-1.71682
86	46	-0.750694
88	46	-5.10536
90	46	-14.2566

92	46	-2.77317
94	46	-0.459289
96	46	-3.12628
98	46	-12.88
100	46	-3.97251
102	46	-0.300929
104	46	-1.38764
106	46	-7.65876
108	46	-5.77809
110	46	-0.544382
112	46	0.0954545
114	46	-3.07423
116	46	-7.21298
118	46	-1.99923
120	46	0.717749
122	46	0.276628
124	46	-2.95328
126	46	-4.86406
128	46	-0.97476
130	46	1.31074
132	46	1.32634
134	46	-0.604449
136	46	-3.16973
138	46	-2.06747
140	46	0.644067
142	46	2.10229
144	46	2.20894
146	46	1.18713
148	46	-0.546654
150	46	-1.72018
152	46	-0.96346
154	46	0.690982
156	46	2.03254
158	46	2.80901
160	46	3.07474
162	46	2.94554
164	46	2.53635
166	46	1.96089
168	46	1.33706
170	46	0.772313
172	46	0.341196
174	46	0.0684657
176	46	-0.0678305
178	46	-0.113341
180	46	-0.112015
-180	48	1.60953
-178	48	1.63967
-176	48	1.57087
-174	48	1.40681
-172	48	1.15443
-170	48	0.832324
-168	48	0.484688
-166	48	0.197074
-164	48	0.0922449
-162	48	0.287077
-160	48	0.789108
-158	48	1.46351
-156	48	2.10437
-154	48	2.51694
-152	48	2.53832
-150	48	2.04474
-148	48	0.954546
-146	48	-0.560265
-144	48	-1.55917
-142	48	-0.850606
-140	48	0.640858
-138	48	1.51501
-136	48	1.19857
-134	48	-0.573934
-132	48	-3.2889
-130	48	-3.04319
-128	48	-0.402631
-126	48	0.736883
-124	48	-0.426214
-122	48	-4.3241
-120	48	-5.76886
-118	48	-1.43354
-116	48	0.101144
-114	48	-1.83259
-112	48	-8.38435
-110	48	-5.3231
-108	48	-0.800202
-106	48	-0.935196
-104	48	-6.46487
-102	48	-9.95593
-100	48	-1.89432
-98	48	-0.722945
-96	48	-5.03824
-94	48	-13.9744
-92	48	-2.62832
-90	48	-0.597177
-88	48	-4.0092
-86	48	-14.0313
-84	48	-3.00556
-82	48	-0.362672
-80	48	-2.84521
-78	48	-10.9865
-76	48	-3.40264
-74	48	-0.0605785
-72	48	-1.35286

-70	48	-7.19067
-68	48	-4.36774
-66	48	-0.0122735
-64	48	0.231724
-62	48	-3.0777
-60	48	-5.66196
-58	48	-1.04528
-56	48	1.13394
-54	48	0.455836
-52	48	-2.59817
-50	48	-3.67585
-48	48	-0.277367
-46	48	1.70665
-44	48	1.69299
-42	48	-0.00935277
-40	48	-2.22034
-38	48	-1.59737
-36	48	0.762419
-34	48	2.28407
-32	48	2.6622
-30	48	2.07761
-28	48	0.803972
-26	48	-0.540231
-24	48	-0.910205
-22	48	-0.0364675
-20	48	1.21718
-18	48	2.24779
-16	48	2.92638
-14	48	3.28749
-12	48	3.40451
-10	48	3.35861
-8	48	3.21742
-6	48	3.03753
-4	48	2.86287
-2	48	2.72403
0	48	2.63923
2	48	2.61499
4	48	2.652
6	48	2.74226
8	48	2.87035
10	48	3.01242
12	48	3.1354
14	48	3.19702
16	48	3.14332
18	48	2.91819
20	48	2.46624
22	48	1.74296
24	48	0.778841
26	48	-0.194814
28	48	-0.641154
30	48	-0.137603
32	48	0.912751
34	48	1.78734
36	48	2.02953
38	48	1.39285
40	48	-0.236592
42	48	-2.25284
44	48	-2.19744
46	48	-0.202076
48	48	1.05268
50	48	0.654206
52	48	-1.76306
54	48	-5.00924
56	48	-2.8324
58	48	-0.0470974
60	48	0.126088
62	48	-2.87271
64	48	-8.04705
66	48	-3.23594
68	48	-0.266746
70	48	-1.23713
72	48	-7.47609
74	48	-7.59851
76	48	-1.37252
78	48	-0.792954
80	48	-5.66049
82	48	-12.2223
84	48	-2.31768
86	48	-0.667241
88	48	-4.51378
90	48	-14.6328
92	48	-2.84401
94	48	-0.495271
96	48	-3.46545
98	48	-12.6713
100	48	-3.16933
102	48	-0.208432
104	48	-2.13695
106	48	-9.15679
108	48	-3.78024
110	48	0.0327517
112	48	-0.537797
114	48	-5.14057
116	48	-5.13972
118	48	-0.315265
120	48	0.846773
122	48	-1.15147
124	48	-4.88915
126	48	-2.33026
128	48	0.859242

130	48	1.50953
132	48	-0.0721024
134	48	-2.85465
136	48	-2.20297
138	48	0.644118
140	48	2.14117
142	48	2.10568
144	48	0.797154
146	48	-1.08116
148	48	-1.54946
150	48	0.0267397
152	48	1.72412
154	48	2.73733
156	48	3.04257
158	48	2.78072
160	48	2.10764
162	48	1.22294
164	48	0.388648
166	48	-0.126392
168	48	-0.201427
170	48	0.0645404
172	48	0.479215
174	48	0.894499
176	48	1.23546
178	48	1.47533
180	48	1.60953
-180	50	3.44603
-178	50	3.4411
-176	50	3.39504
-174	50	3.30251
-172	50	3.14993
-170	50	2.91724
-168	50	2.58159
-166	50	2.12474
-164	50	1.54146
-162	50	0.898622
-160	50	0.35718
-158	50	0.167751
-156	50	0.50579
-154	50	1.22392
-152	50	1.96267
-150	50	2.39225
-148	50	2.28254
-146	50	1.48173
-144	50	0.00612893
-142	50	-1.43239
-140	50	-1.18141
-138	50	0.365972
-136	50	1.3785
-134	50	1.05358
-132	50	-0.917846
-130	50	-3.64898
-128	50	-2.54181
-126	50	0.0234854
-124	50	0.541507
-122	50	-1.6525
-120	50	-6.23354
-118	50	-3.66045
-116	50	-0.310579
-114	50	-0.553027
-112	50	-5.1974
-110	50	-8.35951
-108	50	-1.78763
-106	50	-0.494281
-104	50	-4.25859
-102	50	-12.929
-100	50	-2.81702
-98	50	-0.61823
-96	50	-4.02213
-94	50	-15.356
-92	50	-3.03271
-90	50	-0.606077
-88	50	-3.94235
-86	50	-13.4303
-84	50	-2.72028
-82	50	-0.395758
-80	50	-3.49629
-78	50	-10.53
-76	50	-2.37158
-74	50	0.0106437
-72	50	-2.35307
-70	50	-8.03464
-68	50	-2.44066
-66	50	0.475508
-64	50	-0.617386
-62	50	-5.02575
-60	50	-3.42065
-58	50	0.453417
-56	50	1.08993
-54	50	-1.11356
-52	50	-3.97317
-50	50	-1.25219
-48	50	1.40733
-46	50	1.84463
-44	50	0.333343
-42	50	-2.03662
-40	50	-1.54179
-38	50	0.931396
-36	50	2.41355
-34	50	2.59559

-32	50	1.688
-30	50	0.136752
-28	50	-0.900308
-26	50	-0.283951
-24	50	1.16616
-22	50	2.38743
-20	50	3.11211
-18	50	3.37316
-16	50	3.2831
-14	50	2.95158
-12	50	2.48458
-10	50	1.98659
-8	50	1.54016
-6	50	1.19613
-4	50	0.96876
-2	50	0.844254
0	50	0.797666
2	50	0.805864
4	50	0.862642
6	50	0.972435
8	50	1.14811
10	50	1.40137
12	50	1.73122
14	50	2.11388
16	50	2.49973
18	50	2.82053
20	50	2.9959
22	50	2.93554
24	50	2.56038
26	50	1.80968
28	50	0.72744
30	50	-0.330757
32	50	-0.582962
34	50	0.258161
36	50	1.35757
38	50	1.90071
40	50	1.48066
42	50	-0.0848718
44	50	-2.23902
46	50	-2.21563
48	50	-0.121252
50	50	1.00575
52	50	0.208357
54	50	-2.8486
56	50	-5.02863
58	50	-1.60838
60	50	0.287389
62	50	-0.897385
64	50	-5.9316
66	50	-5.96302
68	50	-1.05262
70	50	-0.461121
72	50	-4.61117
74	50	-10.7312
76	50	-2.39855
78	50	-0.562557
80	50	-4.08614
82	50	-14.6583
84	50	-3.01967
86	50	-0.634888
88	50	-3.99696
90	50	-14.7807
92	50	-2.91111
94	50	-0.525942
96	50	-3.79338
98	50	-11.9284
100	50	-2.52197
102	50	-0.21407
104	50	-3.01681
106	50	-9.27149
108	50	-2.32349
110	50	0.257471
112	50	-1.53136
114	50	-6.67535
116	50	-2.79749
118	50	0.584403
120	50	0.304822
122	50	-3.11105
124	50	-4.11247
126	50	-0.100069
128	50	1.54896
130	50	0.647827
132	50	-2.14843
134	50	-2.62528
136	50	0.333422
138	50	2.0885
140	50	2.11125
142	50	0.686071
144	50	-1.2581
146	50	-1.2212
148	50	0.705698
150	50	2.29276
152	50	2.98526
154	50	2.86984
156	50	2.13196
158	50	1.05067
160	50	0.0902474
162	50	-0.223213
164	50	0.202488
166	50	0.983683

168	50	1.75381
170	50	2.37297
172	50	2.81964
174	50	3.11779
176	50	3.30193
178	50	3.40352
180	50	3.44603
-180	52	3.39457
-178	52	3.36462
-176	52	3.37067
-174	52	3.40462
-172	52	3.44929
-170	52	3.47852
-168	52	3.46107
-166	52	3.35545
-164	52	3.11193
-162	52	2.69271
-160	52	2.073
-158	52	1.28865
-156	52	0.538718
-154	52	0.195879
-152	52	0.550796
-150	52	1.35551
-148	52	2.06841
-146	52	2.26609
-144	52	1.69925
-142	52	0.294816
-140	52	-1.3437
-138	52	-1.30157
-136	52	0.303458
-134	52	1.30531
-132	52	0.760919
-130	52	-1.6204
-128	52	-3.93658
-126	52	-1.66436
-124	52	0.41852
-122	52	-0.0840904
-120	52	-3.78978
-118	52	-6.12087
-116	52	-1.47006
-114	52	-0.0609935
-112	52	-2.81553
-110	52	-9.89518
-108	52	-3.28255
-106	52	-0.438399
-104	52	-2.74719
-102	52	-13.0633
-100	52	-3.97245
-98	52	-0.638515
-96	52	-3.21437
-94	52	-15.4333
-92	52	-3.45737
-90	52	-0.617062
-88	52	-3.8666
-86	52	-12.8823
-84	52	-2.47042
-82	52	-0.450933
-80	52	-4.1771
-78	52	-9.32914
-76	52	-1.59705
-74	52	-0.0891758
-72	52	-3.54639
-70	52	-7.11544
-68	52	-1.09765
-66	52	0.531314
-64	52	-1.88752
-62	52	-5.62463
-60	52	-1.30762
-58	52	1.135
-56	52	0.317489
-54	52	-2.97748
-52	52	-2.6637
-50	52	0.740351
-48	52	1.94727
-46	52	0.909587
-44	52	-1.56998
-42	52	-1.76011
-40	52	0.798394
-38	52	2.42631
-36	52	2.5768
-34	52	1.48979
-32	52	-0.198097
-30	52	-0.818807
-28	52	0.431441
-26	52	1.99778
-24	52	3.00584
-22	52	3.36649
-20	52	3.20371
-18	52	2.66368
-16	52	1.92842
-14	52	1.20546
-12	52	0.690107
-10	52	0.480957
-8	52	0.538029
-6	52	0.740022
-4	52	0.976724
-2	52	1.17801
0	52	1.30965
2	52	1.35673
4	52	1.32371

6	52	1.22107
8	52	1.07083
10	52	0.912212
12	52	0.80915
14	52	0.837308
16	52	1.05616
18	52	1.46778
20	52	1.98859
22	52	2.47968
24	52	2.79199
26	52	2.78411
28	52	2.34761
30	52	1.42276
32	52	0.185913
34	52	-0.632367
36	52	-0.152395
38	52	1.03107
40	52	1.75506
42	52	1.41637
44	52	-0.22114
46	52	-2.43644
48	52	-1.99884
50	52	0.166011
52	52	0.908292
54	52	-0.613305
56	52	-4.35429
58	52	-3.86469
60	52	-0.44651
62	52	0.0422278
64	52	-3.18056
66	52	-8.15581
68	52	-2.46526
70	52	-0.25213
72	52	-2.69067
74	52	-11.4669
76	52	-3.79981
78	52	-0.57124
80	52	-2.9354
82	52	-14.611
84	52	-3.82568
86	52	-0.648242
88	52	-3.54374
90	52	-14.7038
92	52	-2.97578
94	52	-0.551301
96	52	-4.1064
98	52	-10.9562
100	52	-1.99955
102	52	-0.301863
104	52	-4.00014
106	52	-8.06701
108	52	-1.28647
110	52	0.194586
112	52	-2.82225
114	52	-6.37028
116	52	-1.0823
118	52	0.876027
120	52	-0.800175
122	52	-4.57079
124	52	-1.86059
126	52	1.1629
128	52	1.31191
130	52	-0.997042
132	52	-2.98807
134	52	-0.346067
136	52	1.90042
138	52	2.22034
140	52	0.864784
142	52	-1.18258
144	52	-1.05187
146	52	1.03741
148	52	2.56848
150	52	3.0345
152	52	2.58102
154	52	1.47478
156	52	0.259389
158	52	-0.207426
160	52	0.399064
162	52	1.45436
164	52	2.40146
166	52	3.06952
168	52	3.45997
170	52	3.63937
172	52	3.67585
174	52	3.6265
176	52	3.54117
178	52	3.45618
180	52	3.39457
-180	54	1.99847
-178	54	1.97957
-176	54	2.03214
-174	54	2.14977
-172	54	2.32536
-170	54	2.55035
-168	54	2.80284
-166	54	3.04398
-164	54	3.22424
-162	54	3.28423
-160	54	3.1533
-158	54	2.76972

-156	54	2.10117
-154	54	1.21081
-152	54	0.410515
-150	54	0.247408
-148	54	0.890107
-146	54	1.74861
-144	54	2.15698
-142	54	1.72667
-140	54	0.322685
-138	54	-1.40704
-136	54	-1.25354
-134	54	0.44211
-132	54	1.24547
-130	54	0.222524
-128	54	-2.70125
-126	54	-3.57569
-124	54	-0.608069
-122	54	0.478963
-120	54	-1.55707
-118	54	-6.44178
-116	54	-3.31126
-114	54	-0.202807
-112	54	-1.31711
-110	54	-7.93388
-108	54	-5.30576
-106	54	-0.71603
-104	54	-1.72489
-102	54	-10.4339
-100	54	-5.38275
-98	54	-0.770056
-96	54	-2.5699
-94	54	-14.282
-92	54	-3.90233
-90	54	-0.630319
-88	54	-3.78314
-86	54	-12.3975
-84	54	-2.25213
-82	54	-0.523428
-80	54	-4.87011
-78	54	-7.96167
-76	54	-1.02199
-74	54	-0.332112
-72	54	-4.83438
-70	54	-5.40461
-68	54	-0.215435
-66	54	0.233141
-64	54	-3.39596
-62	54	-4.31923
-60	54	0.121763
-58	54	1.16984
-56	54	-1.01389
-54	54	-3.66509
-52	54	-0.534481
-50	54	1.77157
-48	54	1.5479
-46	54	-0.717989
-44	54	-2.05763
-42	54	0.346958
-40	54	2.31672
-38	54	2.64446
-36	54	1.53882
-34	54	-0.249284
-32	54	-0.659907
-30	54	0.898562
-28	54	2.4724
-26	54	3.27617
-24	54	3.32249
-22	54	2.77549
-20	54	1.87629
-18	54	0.975092
-16	54	0.476844
-14	54	0.56428
-12	54	1.05155
-10	54	1.64649
-8	54	2.18272
-6	54	2.59937
-4	54	2.88947
-2	54	3.07125
0	54	3.16441
2	54	3.17833
4	54	3.1236
6	54	2.99828
8	54	2.79501
10	54	2.50915
12	54	2.1406
14	54	1.7043
16	54	1.26564
18	54	0.956144
20	54	0.926036
22	54	1.24941
24	54	1.81264
26	54	2.37089
28	54	2.67497
30	54	2.52754
32	54	1.80328
34	54	0.560631
36	54	-0.56095
38	54	-0.352287
40	54	0.867104
42	54	1.65362

44	54	1.23113
46	54	-0.642139
48	54	-2.72945
50	54	-1.47182
52	54	0.538534
54	54	0.563801
56	54	-2.06089
58	54	-5.31479
60	54	-1.96061
62	54	0.167536
64	54	-1.32842
66	54	-7.18447
68	54	-4.48963
70	54	-0.518557
72	54	-1.46223
74	54	-8.96146
76	54	-5.61366
78	54	-0.79047
80	54	-2.09458
82	54	-12.377
84	54	-4.74058
86	54	-0.702698
88	54	-3.1451
90	54	-14.4404
92	54	-3.03968
94	54	-0.57142
96	54	-4.40114
98	54	-9.96425
100	54	-1.57869
102	54	-0.457602
104	54	-5.0409
106	54	-6.46433
108	54	-0.570414
110	54	-0.107845
112	54	-4.26137
114	54	-4.71434
116	54	0.0269379
118	54	0.67841
120	54	-2.29007
122	54	-4.07928
124	54	-0.0287645
126	54	1.59605
128	54	0.330973
130	54	-2.58245
132	54	-1.423
134	54	1.44459
136	54	2.34071
138	54	1.29236
140	54	-0.872348
142	54	-1.10125
144	54	1.06343
146	54	2.66372
148	54	3.0453
150	54	2.36964
152	54	1.02493
154	54	-0.0845912
156	54	0.123433
158	54	1.30004
160	54	2.46889
162	54	3.24776
164	54	3.61818
166	54	3.66979
168	54	3.49717
170	54	3.19464
172	54	2.85053
174	54	2.52941
176	54	2.26961
178	54	2.09168
180	54	1.99847
-180	56	1.23253
-178	56	1.27719
-176	56	1.30697
-174	56	1.32698
-172	56	1.36515
-170	56	1.45418
-168	56	1.62813
-166	56	1.90276
-164	56	2.26061
-162	56	2.64467
-160	56	2.96519
-158	56	3.12259
-156	56	3.012
-154	56	2.55578
-152	56	1.733
-150	56	0.748914
-148	56	0.192425
-146	56	0.613084
-144	56	1.5296
-142	56	2.04779
-140	56	1.628
-138	56	0.111221
-136	56	-1.6029
-134	56	-0.994514
-132	56	0.723062
-130	56	1.06871
-128	56	-0.733719
-126	56	-3.84728
-124	56	-2.2866
-122	56	0.22206
-120	56	-0.219824

-118	56	-4.37509
-116	56	-5.52121
-114	56	-0.896377
-112	56	-0.485411
-110	56	-5.29228
-108	56	-7.74772
-106	56	-1.29777
-104	56	-1.06553
-102	56	-7.83063
-100	56	-7.07225
-98	56	-1.00193
-96	56	-2.05666
-94	56	-12.6831
-92	56	-4.36827
-90	56	-0.646175
-88	56	-3.6931
-86	56	-11.9812
-84	56	-2.06239
-82	56	-0.608726
-80	56	-5.55434
-78	56	-6.70371
-76	56	-0.604499
-74	56	-0.693214
-72	56	-6.02483
-70	56	-3.77657
-68	56	0.31036
-66	56	-0.357117
-64	56	-4.69582
-62	56	-2.49033
-60	56	0.937582
-58	56	0.682779
-56	56	-2.51774
-54	56	-2.42617
-52	56	1.01163
-50	56	1.97537
-48	56	0.431701
-46	56	-1.96067
-44	56	-0.453867
-42	56	2.0025
-40	56	2.74667
-38	56	1.82603
-36	56	-0.0538853
-34	56	-0.606195
-32	56	1.07259
-30	56	2.69587
-28	56	3.39042
-26	56	3.20581
-24	56	2.36103
-22	56	1.25257
-20	56	0.51162
-18	56	0.621844
-16	56	1.35097
-14	56	2.19925
-12	56	2.89274
-10	56	3.36939
-8	56	3.66122
-6	56	3.81489
-4	56	3.87978
-2	56	3.89001
0	56	3.87767
2	56	3.85315
4	56	3.82613
6	56	3.78682
8	56	3.7243
10	56	3.61485
12	56	3.43186
14	56	3.14054
16	56	2.72046
18	56	2.17999
20	56	1.57218
22	56	1.08235
24	56	0.952827
26	56	1.30479
28	56	1.92882
30	56	2.44459
32	56	2.52166
34	56	1.95019
36	56	0.7195
38	56	-0.545883
40	56	-0.401616
42	56	0.87592
44	56	1.5903
46	56	0.882182
48	56	-1.36919
50	56	-2.79107
52	56	-0.659519
54	56	0.774114
56	56	-0.333467
58	56	-4.21123
60	56	-3.95484
62	56	-0.385057
64	56	-0.299137
66	56	-4.68279
68	56	-6.87011
70	56	-1.21005
72	56	-0.740516
74	56	-6.30298
76	56	-7.84648
78	56	-1.2013
80	56	-1.49083

82	56	-10.0042
84	56	-5.77045
86	56	-0.794304
88	56	-2.79371
90	56	-14.045
92	56	-3.10481
94	56	-0.586496
96	56	-4.67479
98	56	-9.04978
100	56	-1.24125
102	56	-0.668225
104	56	-6.06331
106	56	-4.99038
108	56	-0.102893
110	56	-0.608225
112	56	-5.50586
114	56	-2.96328
116	56	0.65627
118	56	0.0824076
120	56	-3.69734
122	56	-2.33038
124	56	1.09207
126	56	1.36345
128	56	-1.11241
130	56	-2.53202
132	56	0.528281
134	56	2.29352
136	56	1.85282
138	56	-0.246046
140	56	-1.2731
142	56	0.793624
144	56	2.62022
146	56	3.08819
148	56	2.33636
150	56	0.846101
152	56	-0.133027
154	56	0.554773
156	56	1.97373
158	56	3.07516
160	56	3.61674
162	56	3.67321
164	56	3.36428
166	56	2.84124
168	56	2.25102
170	56	1.73212
172	56	1.37279
174	56	1.19026
176	56	1.14717
178	56	1.17697
180	56	1.23253
-180	58	2.39287
-178	58	2.44632
-176	58	2.41745
-174	58	2.31146
-172	58	2.14097
-170	58	1.92765
-168	58	1.7111
-166	58	1.54605
-164	58	1.52208
-162	58	1.69536
-160	58	2.05279
-158	58	2.49469
-156	58	2.86108
-154	58	2.98885
-152	58	2.73575
-150	58	2.02669
-148	58	0.985535
-146	58	0.204749
-144	58	0.489872
-142	58	1.44434
-140	58	1.96818
-138	58	1.40576
-136	58	-0.345424
-134	58	-1.7766
-132	58	-0.47312
-130	58	1.00545
-128	58	0.555994
-126	58	-2.26686
-124	58	-3.84874
-122	58	-0.709334
-120	58	0.34293
-118	58	-2.27793
-116	58	-6.8504
-114	58	-2.08887
-112	58	-0.166316
-110	58	-3.28368
-108	58	-9.79018
-106	58	-2.16901
-104	58	-0.689209
-102	58	-5.82945
-100	58	-9.04184
-98	58	-1.32557
-96	58	-1.65104
-94	58	-11.1269
-92	58	-4.85656
-90	58	-0.665025
-88	58	-3.59737
-86	58	-11.6358
-84	58	-1.89858
-82	58	-0.702461

-80	58	-6.20833
-78	58	-5.62792
-76	58	-0.312716
-74	58	-1.14894
-72	58	-6.81868
-70	58	-2.46473
-68	58	0.557186
-66	58	-1.17484
-64	58	-5.10057
-62	58	-0.969415
-60	58	1.26636
-58	58	-0.205938
-56	58	-3.34771
-54	58	-0.656807
-52	58	1.84444
-50	58	1.51641
-48	58	-0.976125
-46	58	-1.44662
-44	58	1.33127
-42	58	2.75423
-40	58	2.2739
-38	58	0.416813
-36	58	-0.636421
-34	58	0.956491
-32	58	2.73054
-30	58	3.45529
-28	58	3.15754
-26	58	2.11545
-24	58	0.915384
-22	58	0.487055
-20	58	1.13726
-18	58	2.18665
-16	58	3.06285
-14	58	3.62114
-12	58	3.89381
-10	58	3.94356
-8	58	3.85935
-6	58	3.70862
-4	58	3.54437
-2	58	3.40297
0	58	3.30851
2	58	3.26552
4	58	3.27748
6	58	3.33397
8	58	3.42123
10	58	3.51748
12	58	3.59325
14	58	3.60431
16	58	3.51228
18	58	3.26918
20	58	2.83435
22	58	2.22068
24	58	1.521
26	58	1.01906
28	58	1.04578
30	58	1.59744
32	58	2.22819
34	58	2.44794
36	58	1.94363
38	58	0.669518
40	58	-0.635423
42	58	-0.306048
44	58	1.03543
46	58	1.4914
48	58	0.259768
50	58	-2.31555
52	58	-2.18878
54	58	0.195631
56	58	0.53844
58	58	-2.17669
60	58	-5.3734
62	58	-1.52278
64	58	0.0853932
66	58	-2.63338
68	58	-8.38556
70	58	-2.30325
72	58	-0.410307
74	58	-4.30421
76	58	-10.2553
78	58	-1.79072
80	58	-1.07539
82	58	-8.0614
84	58	-6.92188
86	58	-0.919707
88	58	-2.4834
90	58	-13.5706
92	58	-3.17343
94	58	-0.596756
96	58	-4.92516
98	58	-8.2455
100	58	-0.972661
102	58	-0.920841
104	58	-6.95691
106	58	-3.77165
108	58	0.169335
110	58	-1.26664
112	58	-6.04256
114	58	-1.55966
116	58	0.909878
118	58	-0.819556

120	58	-4.19987
122	58	-0.661735
124	58	1.6034
126	58	0.608805
128	58	-2.34023
130	58	-0.97806
132	58	1.82992
134	58	2.33047
136	58	0.698795
138	58	-1.25132
140	58	0.211902
142	58	2.39591
144	58	3.15623
146	58	2.50172
148	58	0.930916
150	58	-0.0862387
152	58	0.814363
154	58	2.36092
156	58	3.3921
158	58	3.73962
160	58	3.50912
162	58	2.88993
164	58	2.10861
166	58	1.43656
168	58	1.09431
170	58	1.11372
172	58	1.36986
174	58	1.70504
176	58	2.01397
178	58	2.24728
180	58	2.39287
-180	60	3.66818
-178	60	3.67961
-176	60	3.63718
-174	60	3.54174
-172	60	3.3863
-170	60	3.16387
-168	60	2.86825
-166	60	2.49571
-164	60	2.09758
-162	60	1.75025
-160	60	1.58601
-158	60	1.71077
-156	60	2.09884
-154	60	2.56547
-152	60	2.86245
-150	60	2.7649
-148	60	2.13655
-146	60	1.05856
-144	60	0.182129
-142	60	0.4897
-140	60	1.49131
-138	60	1.89029
-136	60	1.00127
-134	60	-1.02311
-132	60	-1.62323
-130	60	0.238003
-128	60	1.04332
-126	60	-0.594739
-124	60	-3.9305
-122	60	-2.12647
-120	60	0.279651
-118	60	-0.840984
-116	60	-5.98389
-114	60	-3.70036
-112	60	-0.263453
-110	60	-1.9031
-108	60	-9.70067
-106	60	-3.32342
-104	60	-0.541835
-102	60	-4.33124
-100	60	-11.16
-98	60	-1.7344
-96	60	-1.33508
-94	60	-9.75675
-92	60	-5.36941
-90	60	-0.687431
-88	60	-3.49668
-86	60	-11.3623
-84	60	-1.75855
-82	60	-0.800491
-80	60	-6.80883
-78	60	-4.73301
-76	60	-0.121083
-74	60	-1.67518
-72	60	-6.97086
-70	60	-1.46338
-68	60	0.584746
-66	60	-2.13233
-64	60	-4.41841
-62	60	0.11652
-60	60	1.21175
-58	60	-1.32125
-56	60	-2.84834
-54	60	0.741958
-52	60	2.08004
-50	60	0.576544
-48	60	-1.77924
-46	60	0.152549
-44	60	2.46249

-42	60	2.72154
-40	60	1.17583
-38	60	-0.545688
-36	60	0.558902
-34	60	2.56904
-32	60	3.49768
-30	60	3.23938
-28	60	2.0992
-26	60	0.82162
-24	60	0.610581
-22	60	1.58995
-20	60	2.7567
-18	60	3.56299
-16	60	3.93783
-14	60	3.96001
-12	60	3.7469
-10	60	3.39753
-8	60	3.01747
-6	60	2.67784
-4	60	2.41849
-2	60	2.25303
0	60	2.17255
2	60	2.15917
4	60	2.20397
6	60	2.30155
8	60	2.44915
10	60	2.64492
12	60	2.8778
14	60	3.11798
16	60	3.32693
18	60	3.44508
20	60	3.40769
22	60	3.15151
24	60	2.63914
26	60	1.90766
28	60	1.19845
30	60	0.955966
32	60	1.40456
34	60	2.09204
36	60	2.36807
38	60	1.81874
40	60	0.417268
42	60	-0.774172
44	60	-0.0204872
46	60	1.27066
48	60	1.20801
50	60	-0.779287
52	60	-2.93632
54	60	-0.957982
56	60	0.680289
58	60	-0.616588
60	60	-4.85348
62	60	-3.10165
64	60	-0.0491943
66	60	-1.25734
68	60	-7.56201
70	60	-3.77364
72	60	-0.398026
74	60	-2.87353
76	60	-11.75
78	60	-2.55219
80	60	-0.813372
82	60	-6.52736
84	60	-8.19879
86	60	-1.07617
88	60	-2.20911
90	60	-13.0579
92	60	-3.24794
94	60	-0.602476
96	60	-5.15061
98	60	-7.55581
100	60	-0.760805
102	60	-1.20355
104	60	-7.59366
106	60	-2.79884
108	60	0.287463
110	60	-2.03649
112	60	-5.6586
114	60	-0.531966
116	60	0.86776
118	60	-1.89209
120	60	-3.47802
122	60	0.544409
124	60	1.62976
126	60	-0.480327
128	60	-2.3883
130	60	0.642061
132	60	2.43082
134	60	1.72797
136	60	-0.590281
138	60	-0.590272
140	60	1.87742
142	60	3.16162
144	60	2.82208
146	60	1.27734
148	60	-0.00658079
150	60	0.833329
152	60	2.49963
154	60	3.54713
156	60	3.7823

158	60	3.34368
160	60	2.48646
162	60	1.58679
164	60	1.08441
166	60	1.1812
168	60	1.68374
170	60	2.27411
172	60	2.78909
174	60	3.17504
176	60	3.43429
178	60	3.59114
180	60	3.66818
-180	62	4.076
-178	62	4.04593
-176	62	4.01525
-174	62	3.98062
-172	62	3.93039
-170	62	3.84643
-168	62	3.69958
-166	62	3.4635
-164	62	3.12799
-162	62	2.6811
-160	62	2.18858
-158	62	1.76684
-156	62	1.62143
-154	62	1.85691
-152	62	2.33737
-150	62	2.73619
-148	62	2.72811
-146	62	2.10952
-144	62	0.963969
-142	62	0.113671
-140	62	0.624468
-138	62	1.6362
-136	62	1.72191
-134	62	0.310595
-132	62	-1.70588
-130	62	-0.894571
-128	62	0.857668
-126	62	0.486102
-124	62	-2.58861
-122	62	-3.57266
-120	62	-0.29383
-118	62	-0.0210835
-116	62	-4.0942
-114	62	-5.48231
-112	62	-0.712526
-110	62	-1.00614
-108	62	-7.81986
-106	62	-4.75043
-104	62	-0.584949
-102	62	-3.20659
-100	62	-12.8817
-98	62	-2.22318
-96	62	-1.09469
-94	62	-8.58225
-92	62	-5.9099
-90	62	-0.714034
-88	62	-3.39154
-86	62	-11.1612
-84	62	-1.6406
-82	62	-0.899049
-80	62	-7.33656
-78	62	-3.99725
-76	62	-0.00853659
-74	62	-2.24602
-72	62	-6.52548
-70	62	-0.720123
-68	62	0.441432
-66	62	-3.10114
-64	62	-3.22032
-62	62	0.822119
-60	62	0.859874
-58	62	-2.35725
-56	62	-1.56307
-54	62	1.63797
-52	62	1.84541
-50	62	-0.551019
-48	62	-1.26415
-46	62	1.60281
-44	62	2.92098
-42	62	2.08266
-40	62	-0.00458981
-38	62	-0.0271246
-36	62	2.13915
-34	62	3.46632
-32	62	3.43759
-30	62	2.32219
-28	62	0.912677
-26	62	0.686548
-24	62	1.82925
-22	62	3.07177
-20	62	3.82518
-18	62	4.03944
-16	62	3.84187
-14	62	3.37549
-12	62	2.80841
-10	62	2.28914
-8	62	1.91919
-6	62	1.73139

-4	62	1.68863
-2	62	1.72756
0	62	1.79267
2	62	1.84904
4	62	1.88597
6	62	1.90901
8	62	1.93749
10	62	1.99981
12	62	2.12224
14	62	2.32532
16	62	2.60362
18	62	2.91437
20	62	3.18702
22	62	3.32628
24	62	3.24106
26	62	2.84711
28	62	2.1416
30	62	1.32737
32	62	0.926841
34	62	1.33297
36	62	2.05625
38	62	2.29079
40	62	1.55843
42	62	-0.0240109
44	62	-0.795288
46	62	0.471892
48	62	1.42019
50	62	0.514443
52	62	-2.18991
54	62	-2.2719
56	62	0.233164
58	62	0.288058
60	62	-3.16607
62	62	-4.70768
64	62	-0.616783
66	62	-0.431922
68	62	-5.55752
70	62	-5.53853
72	62	-0.653758
74	62	-1.86717
76	62	-11.0467
78	62	-3.48255
80	62	-0.67874
82	62	-5.31111
84	62	-9.59453
86	62	-1.26139
88	62	-1.96655
90	62	-12.5336
92	62	-3.33097
94	62	-0.603995
96	62	-5.35021
98	62	-6.97465
100	62	-0.595696
102	62	-1.50515
104	62	-7.88625
106	62	-2.03347
108	62	0.285075
110	62	-2.85919
112	62	-4.70038
114	62	0.180645
116	62	0.596225
118	62	-2.90511
120	62	-2.18684
122	62	1.30285
124	62	1.28059
126	62	-1.5716
128	62	-1.29199
130	62	1.78258
132	62	2.45472
134	62	0.714666
136	62	-1.06748
138	62	0.934869
140	62	2.93951
142	62	3.17975
144	62	1.87424
146	62	0.210287
148	62	0.623067
150	62	2.40337
152	62	3.59606
154	62	3.84369
156	62	3.29689
158	62	2.27689
160	62	1.33874
162	62	1.094
164	62	1.59746
166	62	2.37626
168	62	3.078
170	62	3.57633
172	62	3.8771
174	62	4.03357
176	62	4.09335
178	62	4.09747
180	62	4.076
-180	64	3.68546
-178	64	3.63245
-176	64	3.62494
-174	64	3.65605
-172	64	3.71224
-170	64	3.77398
-168	64	3.81184

-166	64	3.79528
-164	64	3.6895
-162	64	3.4529
-160	64	3.06967
-158	64	2.55083
-156	64	2.00137
-154	64	1.65406
-152	64	1.74064
-150	64	2.20814
-148	64	2.66047
-146	64	2.66425
-144	64	1.95879
-142	64	0.712473
-140	64	0.0740322
-138	64	0.923447
-136	64	1.78566
-134	64	1.3049
-132	64	-0.721563
-130	64	-1.76913
-128	64	0.167753
-126	64	0.95676
-124	64	-1.07942
-122	64	-4.18444
-120	64	-1.2617
-118	64	0.302693
-116	64	-2.40941
-114	64	-6.74933
-112	64	-1.46501
-110	64	-0.479192
-108	64	-5.79129
-106	64	-6.40505
-104	64	-0.790782
-102	64	-2.36181
-100	64	-13.2179
-98	64	-2.78806
-96	64	-0.918721
-94	64	-7.57885
-92	64	-6.48219
-90	64	-0.745565
-88	64	-3.28218
-86	64	-11.0329
-84	64	-1.54328
-82	64	-0.994538
-80	64	-7.77894
-78	64	-3.39639
-76	64	0.0426039
-74	64	-2.83385
-72	64	-5.75392
-70	64	-0.182262
-68	64	0.169038
-66	64	-3.90432
-64	64	-2.02372
-62	64	1.22568
-60	64	0.293908
-58	64	-2.89768
-56	64	-0.25581
-54	64	2.10001
-52	64	1.26424
-50	64	-1.37067
-48	64	0.0147303
-46	64	2.55028
-44	64	2.83199
-42	64	1.0929
-40	64	-0.399031
-38	64	1.35391
-36	64	3.23572
-34	64	3.66529
-32	64	2.75826
-30	64	1.20926
-28	64	0.676669
-26	64	1.82661
-24	64	3.18276
-22	64	3.95475
-20	64	4.08547
-18	64	3.71958
-16	64	3.06127
-14	64	2.35269
-12	64	1.83398
-10	64	1.63628
-8	64	1.71831
-6	64	1.94959
-4	64	2.21131
-2	64	2.43332
0	64	2.58557
2	64	2.66048
4	64	2.66225
6	64	2.59988
8	64	2.48746
10	64	2.34693
12	64	2.20646
14	64	2.11838
16	64	2.13699
18	64	2.29482
20	64	2.58057
22	64	2.91628
24	64	3.17667
26	64	3.2214
28	64	2.91914
30	64	2.22734
32	64	1.34511

34	64	0.902332
36	64	1.37392
38	64	2.11063
40	64	2.16874
42	64	1.1007
44	64	-0.564012
46	64	-0.457965
48	64	1.04149
50	64	1.22037
52	64	-0.821103
54	64	-2.97526
56	64	-0.651925
58	64	0.630568
60	64	-1.58148
62	64	-5.48441
64	64	-1.54336
66	64	-0.0367277
68	64	-3.71736
70	64	-7.30034
72	64	-1.14066
74	64	-1.18007
76	64	-9.10633
78	64	-4.5793
80	64	-0.651457
82	64	-4.33759
84	64	-11.0726
86	64	-1.47365
88	64	-1.75213
90	64	-12.0127
92	64	-3.4252
94	64	-0.601653
96	64	-5.52317
98	64	-6.49281
100	64	-0.468778
102	64	-1.81469
104	64	-7.84488
106	64	-1.43685
108	64	0.190921
110	64	-3.66048
112	64	-3.61254
114	64	0.644069
116	64	0.154936
118	64	-3.55717
120	64	-0.937353
122	64	1.6949
124	64	0.661855
126	64	-2.17361
128	64	0.0630282
130	64	2.42431
132	64	2.03685
134	64	-0.321568
136	64	-0.317877
138	64	2.26432
140	64	3.36799
142	64	2.62184
144	64	0.765772
146	64	0.29979
148	64	2.04248
150	64	3.52169
152	64	3.94338
154	64	3.41489
156	64	2.29594
158	64	1.29356
160	64	1.20634
162	64	1.96185
164	64	2.88458
166	64	3.58202
168	64	3.99062
170	64	4.15594
172	64	4.14898
174	64	4.04814
176	64	3.91186
178	64	3.78236
180	64	3.68546
-180	66	2.91508
-178	66	2.87524
-176	66	2.8964
-174	66	2.96931
-172	66	3.08556
-170	66	3.23499
-168	66	3.39833
-166	66	3.55327
-164	66	3.66249
-162	66	3.68349
-160	66	3.56522
-158	66	3.2707
-156	66	2.77539
-154	66	2.16604
-152	66	1.69407
-150	66	1.69756
-148	66	2.17927
-146	66	2.64754
-144	66	2.56226
-142	66	1.65982
-140	66	0.351558
-138	66	0.22084
-136	66	1.35314
-134	66	1.75738
-132	66	0.440783
-130	66	-1.7373

-128	66	-0.780777
-126	66	0.922602
-124	66	0.0346094
-122	66	-3.54504
-120	66	-2.45004
-118	66	0.231212
-116	66	-1.18583
-114	66	-6.67606
-112	66	-2.47167
-110	66	-0.241082
-108	66	-4.14993
-106	66	-8.13062
-104	66	-1.13704
-102	66	-1.73189
-100	66	-12.0611
-98	66	-3.42601
-96	66	-0.798033
-94	66	-6.71792
-92	66	-7.09148
-90	66	-0.78292
-88	66	-3.16871
-86	66	-10.9781
-84	66	-1.46546
-82	66	-1.08352
-80	66	-8.13304
-78	66	-2.90887
-76	66	0.0477076
-74	66	-3.41247
-72	66	-4.9078
-70	66	0.194577
-68	66	-0.194143
-66	66	-4.36684
-64	66	-1.02182
-62	66	1.39663
-60	66	-0.395806
-58	66	-2.72605
-56	66	0.780947
-54	66	2.21963
-52	66	0.483698
-50	66	-1.41154
-48	66	1.26961
-46	66	3.01976
-44	66	2.3386
-42	66	0.159257
-40	66	0.307597
-38	66	2.62391
-36	66	3.75434
-34	66	3.31349
-32	66	1.78135
-30	66	0.689403
-28	66	1.57966
-26	66	3.09214
-24	66	4.00401
-22	66	4.1604
-20	66	3.70779
-18	66	2.91317
-16	66	2.12075
-14	66	1.68014
-12	66	1.71957
-10	66	2.08244
-8	66	2.52987
-6	66	2.93118
-4	66	3.23619
-2	66	3.44077
0	66	3.5574
2	66	3.59826
4	66	3.57686
6	66	3.49902
8	66	3.36706
10	66	3.18341
12	66	2.94187
14	66	2.67415
16	66	2.4154
18	66	2.23662
20	66	2.21432
22	66	2.3932
24	66	2.72014
26	66	3.0465
28	66	3.17255
30	66	2.91103
32	66	2.18325
34	66	1.24313
36	66	0.89504
38	66	1.53906
40	66	2.20539
42	66	1.8996
44	66	0.379384
46	66	-0.881882
48	66	0.293709
50	66	1.37524
52	66	0.330805
54	66	-2.54945
56	66	-1.74201
58	66	0.522972
60	66	-0.450541
62	66	-4.89745
64	66	-2.72752
66	66	0.0178498
68	66	-2.32405
70	66	-8.34669

72	66	-1.82902
74	66	-0.739922
76	66	-7.1841
78	66	-5.83568
80	66	-0.715418
82	66	-3.55207
84	66	-12.5267
86	66	-1.71159
88	66	-1.56287
90	66	-11.5016
92	66	-3.53348
94	66	-0.59589
96	66	-5.66897
98	66	-6.10111
100	66	-0.372681
102	66	-2.12157
104	66	-7.56196
106	66	-0.975719
108	66	0.0303106
110	66	-4.35424
112	66	-2.62391
114	66	0.914717
116	66	-0.396846
118	66	-3.6367
120	66	0.0631704
122	66	1.80416
124	66	-0.101234
126	66	-1.97661
128	66	1.1893
130	66	2.65704
132	66	1.32838
134	66	-0.833932
136	66	0.948243
138	66	3.10842
140	66	3.28238
142	66	1.72927
144	66	0.211123
146	66	1.39199
148	66	3.23778
150	66	4.022
152	66	3.67632
154	66	2.54357
156	66	1.39368
158	66	1.26971
160	66	2.14442
162	66	3.16146
164	66	3.85853
166	66	4.18085
168	66	4.20149
170	66	4.0285
172	66	3.75151
174	66	3.45947
176	66	3.20699
178	66	3.02307
180	66	2.91508
-180	68	2.36141
-178	68	2.37678
-176	68	2.42172
-174	68	2.48782
-172	68	2.58055
-170	68	2.70766
-168	68	2.87099
-166	68	3.06917
-164	68	3.28011
-162	68	3.47119
-160	68	3.58791
-158	68	3.56881
-156	68	3.34911
-154	68	2.87862
-152	68	2.22537
-150	68	1.68694
-148	68	1.70474
-146	68	2.25127
-144	68	2.67556
-142	68	2.36381
-140	68	1.16363
-138	68	0.0475366
-136	68	0.684769
-134	68	1.72805
-132	68	1.28322
-130	68	-0.910227
-128	68	-1.59942
-126	68	0.50489
-124	68	0.696139
-122	68	-2.30214
-120	68	-3.5383
-118	68	-0.152989
-116	68	-0.380804
-114	68	-5.49984
-112	68	-3.65548
-110	68	-0.232894
-108	68	-2.90693
-106	68	-9.51308
-104	68	-1.60506
-102	68	-1.27082
-100	68	-10.3721
-98	68	-4.13474
-96	68	-0.725192
-94	68	-5.97446
-92	68	-7.74408

-90	68	-0.827044
-88	68	-3.05098
-86	68	-10.9971
-84	68	-1.40649
-82	68	-1.163
-80	68	-8.4064
-78	68	-2.51672
-76	68	0.0201412
-74	68	-3.95597
-72	68	-4.123
-70	68	0.447292
-68	68	-0.610814
-66	68	-4.41881
-64	68	-0.242206
-62	68	1.39416
-60	68	-1.10506
-58	68	-2.04095
-56	68	1.51709
-54	68	2.0857
-52	68	-0.306452
-50	68	-0.735278
-48	68	2.21551
-46	68	3.10919
-44	68	1.60977
-42	68	-0.212317
-40	68	1.47646
-38	68	3.46658
-36	68	3.79383
-34	68	2.61228
-32	68	0.990377
-30	68	1.16113
-28	68	2.76305
-26	68	3.9467
-24	68	4.26557
-22	68	3.84148
-20	68	2.97043
-18	68	2.08911
-16	68	1.68568
-14	68	1.90059
-12	68	2.44705
-10	68	3.02424
-8	68	3.47221
-6	68	3.77896
-4	68	3.96562
-2	68	4.06216
0	68	4.10097
2	68	4.09819
4	68	4.06945
6	68	4.01447
8	68	3.93029
10	68	3.80759
12	68	3.62236
14	68	3.38289
16	68	3.0762
18	68	2.74254
20	68	2.43244
22	68	2.25743
24	68	2.31833
26	68	2.61314
28	68	2.97583
30	68	3.13517
32	68	2.8417
34	68	2.00966
36	68	1.04926
38	68	0.986468
40	68	1.82442
42	68	2.22361
44	68	1.33339
46	68	-0.486654
48	68	-0.483878
50	68	1.09815
52	68	1.04789
54	68	-1.4629
56	68	-2.65189
58	68	0.0681886
60	68	0.241326
62	68	-3.58235
64	68	-3.98097
66	68	-0.199681
68	68	-1.33455
70	68	-8.05714
72	68	-2.69104
74	68	-0.494671
76	68	-5.60596
78	68	-7.22884
80	68	-0.857383
82	68	-2.91514
84	68	-13.7252
86	68	-1.97432
88	68	-1.39623
90	68	-11.0017
92	68	-3.65879
94	68	-0.587139
96	68	-5.78655
98	68	-5.79169
100	68	-0.30123
102	68	-2.41629
104	68	-7.15505
106	68	-0.622853
108	68	-0.17428

110	68	-4.86718
112	68	-1.80183
114	68	1.03862
116	68	-0.997267
118	68	-3.21212
120	68	0.800275
122	68	1.70466
124	68	-0.855122
126	68	-1.20559
128	68	1.98784
130	68	2.57513
132	68	0.51967
134	68	-0.531524
136	68	2.09138
138	68	3.51008
140	68	2.82692
142	68	0.851101
144	68	0.615786
146	68	2.61208
148	68	3.94955
150	68	3.99996
152	68	3.00978
154	68	1.67406
156	68	1.25661
158	68	2.11468
160	68	3.23733
162	68	3.9888
164	68	4.27423
166	68	4.19543
168	68	3.87289
170	68	3.4497
172	68	3.03286
174	68	2.70548
176	68	2.49539
178	68	2.38955
180	68	2.36141
-180	70	2.40895
-178	70	2.48004
-176	70	2.52689
-174	70	2.55247
-172	70	2.56695
-170	70	2.59011
-168	70	2.64042
-166	70	2.73976
-164	70	2.89374
-162	70	3.09589
-160	70	3.31498
-158	70	3.49053
-156	70	3.53982
-154	70	3.36308
-152	70	2.88613
-150	70	2.1736
-148	70	1.6306
-146	70	1.78664
-144	70	2.41855
-142	70	2.67333
-140	70	1.96824
-138	70	0.514405
-136	70	0.140053
-134	70	1.35357
-132	70	1.71971
-130	70	0.10523
-128	70	-1.86602
-126	70	-0.158397
-124	70	0.970586
-122	70	-1.1087
-120	70	-4.08563
-118	70	-0.770525
-116	70	0.088625
-114	70	-4.07
-112	70	-4.88486
-110	70	-0.409423
-108	70	-1.98663
-106	70	-9.95184
-104	70	-2.17782
-102	70	-0.94447
-100	70	-8.76569
-98	70	-4.91203
-96	70	-0.693916
-94	70	-5.32808
-92	70	-8.44751
-90	70	-0.879001
-88	70	-2.92878
-86	70	-11.0913
-84	70	-1.36596
-82	70	-1.23008
-80	70	-8.61421
-78	70	-2.20551
-76	70	-0.0282228
-74	70	-4.44276
-72	70	-3.44939
-70	70	0.606239
-68	70	-1.04698
-66	70	-4.13888
-64	70	0.340269
-62	70	1.26935
-60	70	-1.72224
-58	70	-1.18891
-56	70	1.99475
-54	70	1.7791

-52	70	-0.89237
-50	70	0.210482
-48	70	2.83657
-46	70	2.92067
-44	70	0.850345
-42	70	0.154954
-40	70	2.53891
-38	70	3.91086
-36	70	3.48863
-34	70	1.80978
-32	70	0.852801
-30	70	2.15176
-28	70	3.69461
-26	70	4.3436
-24	70	4.09742
-22	70	3.23337
-20	70	2.23627
-18	70	1.74385
-16	70	2.00604
-14	70	2.66868
-12	70	3.31555
-10	70	3.78853
-8	70	4.06545
-6	70	4.1952
-4	70	4.22779
-2	70	4.21061
0	70	4.17449
2	70	4.13674
4	70	4.10832
6	70	4.0886
8	70	4.06674
10	70	4.02862
12	70	3.95127
14	70	3.8228
16	70	3.61843
18	70	3.33503
20	70	2.98338
22	70	2.60299
24	70	2.32242
26	70	2.29968
28	70	2.58545
30	70	2.97767
32	70	3.11274
34	70	2.68527
36	70	1.68604
38	70	0.860225
40	70	1.28092
42	70	2.13562
44	70	1.96728
46	70	0.361964
48	70	-0.879604
50	70	0.54117
52	70	1.35709
54	70	-0.361554
56	70	-2.94033
58	70	-0.624193
60	70	0.573307
62	70	-2.26605
64	70	-4.96815
66	70	-0.631482
68	70	-0.666487
70	70	-6.83748
72	70	-3.69047
74	70	-0.405099
76	70	-4.36271
78	70	-8.69412
80	70	-1.06599
82	70	-2.39765
84	70	-14.3355
86	70	-2.26126
88	70	-1.25013
90	70	-10.5112
92	70	-3.80429
94	70	-0.575928
96	70	-5.87434
98	70	-5.55842
100	70	-0.249111
102	70	-2.68966
104	70	-6.71908
106	70	-0.356119
108	70	-0.402443
110	70	-5.16384
112	70	-1.14764
114	70	1.05669
116	70	-1.58119
118	70	-2.53326
120	70	1.31348
122	70	1.46152
124	70	-1.4374
126	70	-0.273921
128	70	2.49496
130	70	2.27546
132	70	-0.152943
134	70	0.29926
136	70	2.91538
138	70	3.56556
140	70	2.1612
142	70	0.408529
144	70	1.57882
146	70	3.52836

148	70	4.22244
150	70	3.6181
152	70	2.2247
154	70	1.29616
156	70	1.88914
158	70	3.11404
160	70	4.00359
162	70	4.34303
164	70	4.22768
166	70	3.81445
168	70	3.27477
170	70	2.77782
172	70	2.43459
174	70	2.27723
176	70	2.26072
178	70	2.32373
180	70	2.40895
-180	72	2.88297
-178	72	2.97138
-176	72	3.00555
-174	72	2.99332
-172	72	2.94789
-170	72	2.88107
-168	72	2.81448
-166	72	2.77229
-164	72	2.78082
-162	72	2.85567
-160	72	3.00917
-158	72	3.22279
-156	72	3.43239
-154	72	3.52035
-152	72	3.3399
-150	72	2.79235
-148	72	2.01002
-146	72	1.57929
-144	72	1.99859
-142	72	2.62861
-140	72	2.49891
-138	72	1.26721
-136	72	0.0317432
-134	72	0.813133
-132	72	1.8043
-130	72	0.941788
-128	72	-1.47821
-126	72	-0.889515
-124	72	0.94249
-122	72	-0.188805
-120	72	-3.86759
-118	72	-1.53253
-116	72	0.295832
-114	72	-2.81512
-112	72	-5.92902
-110	72	-0.732364
-108	72	-1.31771
-106	72	-9.31624
-104	72	-2.8382
-102	72	-0.726819
-100	72	-7.39755
-98	72	-5.755
-96	72	-0.698905
-94	72	-4.76254
-92	72	-9.21024
-90	72	-0.939945
-88	72	-2.80178
-86	72	-11.2615
-84	72	-1.34388
-82	72	-1.28212
-80	72	-8.7753
-78	72	-1.96373
-76	72	-0.0869383
-74	72	-4.85786
-72	72	-2.89635
-70	72	0.696683
-68	72	-1.47163
-66	72	-3.68456
-64	72	0.761089
-62	72	1.06762
-60	72	-2.15251
-58	72	-0.388184
-56	72	2.27437
-54	72	1.37456
-52	72	-1.12157
-50	72	1.10568
-48	72	3.18821
-46	72	2.55751
-44	72	0.291058
-42	72	0.946557
-40	72	3.31898
-38	72	4.03774
-36	72	2.97692
-34	72	1.20926
-32	72	1.35917
-30	72	3.10382
-28	72	4.2582
-26	72	4.381
-24	72	3.67216
-22	72	2.58558
-20	72	1.8581
-18	72	2.00121
-16	72	2.7078

-14	72	3.42803
-12	72	3.93395
-10	72	4.19758
-8	72	4.27208
-6	72	4.22775
-4	72	4.12937
-2	72	4.02149
0	72	3.93289
2	72	3.87693
4	72	3.85758
6	72	3.86957
8	72	3.90224
10	72	3.93795
12	72	3.95785
14	72	3.94206
16	72	3.87331
18	72	3.72144
20	72	3.47523
22	72	3.12528
24	72	2.70301
26	72	2.35319
28	72	2.30544
30	72	2.63597
32	72	3.04755
34	72	3.06821
36	72	2.38587
38	72	1.2398
40	72	0.886343
42	72	1.77638
44	72	2.24492
46	72	1.20393
48	72	-0.682477
50	72	-0.104438
52	72	1.33919
54	72	0.487873
56	72	-2.51721
58	72	-1.41427
60	72	0.6252
62	72	-1.20689
64	72	-5.32345
66	72	-1.22453
68	72	-0.248458
70	72	-5.4306
72	72	-4.77205
74	72	-0.440247
76	72	-3.39119
78	72	-10.0793
80	72	-1.33123
82	72	-1.97763
84	72	-14.1652
86	72	-2.57211
88	72	-1.12284
90	72	-10.0271
92	72	-3.97335
94	72	-0.562833
96	72	-5.92998
98	72	-5.39675
100	72	-0.211901
102	72	-2.93345
104	72	-6.31399
106	72	-0.157492
108	72	-0.63572
110	72	-5.25938
112	72	-0.640182
114	72	1.00306
116	72	-2.09489
118	72	-1.81668
120	72	1.65043
122	72	1.13431
124	72	-1.72505
126	72	0.572192
128	72	2.77417
130	72	1.85046
132	72	-0.490994
134	72	1.22943
136	72	3.43745
138	72	3.37702
140	72	1.47505
142	72	0.584427
144	72	2.56582
146	72	4.10501
148	72	4.174
150	72	3.04027
152	72	1.63156
154	72	1.56249
156	72	2.76375
158	72	3.87298
160	72	4.38427
162	72	4.33492
164	72	3.89561
166	72	3.27642
168	72	2.7117
170	72	2.36761
172	72	2.28008
174	72	2.37857
176	72	2.55754
178	72	2.73953
180	72	2.88297
-180	74	3.41542
-178	74	3.48917

-176	74	3.50769
-174	74	3.47931
-172	74	3.41405
-170	74	3.31082
-168	74	3.19526
-166	74	3.06912
-164	74	2.96177
-162	74	2.89201
-160	74	2.88831
-158	74	2.98684
-156	74	3.19228
-154	74	3.42965
-152	74	3.52602
-150	74	3.27198
-148	74	2.57928
-146	74	1.76424
-144	74	1.65746
-142	74	2.35438
-140	74	2.73127
-138	74	1.96945
-136	74	0.392169
-134	74	0.318815
-132	74	1.6276
-130	74	1.50399
-128	74	-0.727801
-126	74	-1.47048
-124	74	0.695414
-122	74	0.443901
-120	74	-3.12196
-118	74	-2.32945
-116	74	0.302449
-114	74	-1.82526
-112	74	-6.50506
-110	74	-1.1668
-108	74	-0.843928
-106	74	-8.12929
-104	74	-3.5672
-102	74	-0.597103
-100	74	-6.26507
-98	74	-6.65891
-96	74	-0.735585
-94	74	-4.26491
-92	74	-10.0414
-90	74	-1.01103
-88	74	-2.6696
-86	74	-11.5077
-84	74	-1.3406
-82	74	-1.31672
-80	74	-8.90847
-78	74	-1.78255
-76	74	-0.146958
-74	74	-5.19497
-72	74	-2.45758
-70	74	0.739761
-68	74	-1.85832
-66	74	-3.18908
-64	74	1.0571
-62	74	0.828611
-60	74	-2.36081
-58	74	0.278928
-56	74	2.41011
-54	74	0.941682
-52	74	-0.994353
-50	74	1.83277
-48	74	3.34279
-46	74	2.11255
-44	74	0.086572
-42	74	1.78981
-40	74	3.83454
-38	74	3.94491
-36	74	2.41048
-34	74	1.01076
-32	74	2.13069
-30	74	3.82744
-28	74	4.53121
-26	74	4.19064
-24	74	3.16138
-22	74	2.13846
-20	74	1.94253
-18	74	2.57192
-16	74	3.37648
-14	74	3.96007
-12	74	4.25583
-10	74	4.30305
-8	74	4.20441
-6	74	4.02572
-4	74	3.83843
-2	74	3.68155
0	74	3.57564
2	74	3.52108
4	74	3.5177
6	74	3.55559
8	74	3.6237
10	74	3.7044
12	74	3.78797
14	74	3.85049
16	74	3.88115
18	74	3.8602
20	74	3.75797
22	74	3.54258

24	74	3.18447
26	74	2.71687
28	74	2.33305
30	74	2.34697
32	74	2.78005
34	74	3.14696
36	74	2.89916
38	74	1.86792
40	74	0.861874
42	74	1.32546
44	74	2.22919
46	74	1.83188
48	74	-0.067196
50	74	-0.614796
52	74	1.08691
54	74	1.04738
56	74	-1.70711
58	74	-2.12812
60	74	0.467056
62	74	-0.428972
64	74	-4.97244
66	74	-1.92031
68	74	-0.0236042
70	74	-4.18082
72	74	-5.84686
74	74	-0.574259
76	74	-2.63318
78	74	-11.1107
80	74	-1.6439
82	74	-1.63808
84	74	-13.3789
86	74	-2.90674
88	74	-1.0129
90	74	-9.546
92	74	-4.16957
94	74	-0.548544
96	74	-5.95004
98	74	-5.3038
100	74	-0.186049
102	74	-3.14016
104	74	-5.97257
106	74	-0.012423
108	74	-0.857743
110	74	-5.2085
112	74	-0.254541
114	74	0.906956
116	74	-2.4975
118	74	-1.17478
120	74	1.85711
122	74	0.777309
124	74	-1.70849
126	74	1.25148
128	74	2.88767
130	74	1.38687
132	74	-0.438003
134	74	2.03406
136	74	3.72478
138	74	3.04138
140	74	0.958257
142	74	1.17213
144	74	3.35657
146	74	4.38672
148	74	3.91685
150	74	2.45465
152	74	1.44976
154	74	2.19636
156	74	3.51873
158	74	4.33081
160	74	4.47963
162	74	4.10867
164	74	3.45931
166	74	2.81526
168	74	2.42284
170	74	2.35906
172	74	2.53856
174	74	2.80613
176	74	3.06679
178	74	3.27397
180	74	3.41542
-180	76	3.81396
-178	76	3.86448
-176	76	3.86892
-174	76	3.83738
-172	76	3.77572
-170	76	3.67745
-168	76	3.5598
-166	76	3.42407
-164	76	3.27757
-162	76	3.13169
-160	76	3.00282
-158	76	2.93393
-156	76	2.99808
-154	76	3.22313
-152	76	3.48711
-150	76	3.52806
-148	76	3.09768
-146	76	2.21751
-144	76	1.57676
-142	76	2.00073
-140	76	2.71849

-138	76	2.47704
-136	76	0.999429
-134	76	0.0635657
-132	76	1.29317
-130	76	1.81186
-128	76	0.0678347
-126	76	-1.72715
-124	76	0.309784
-122	76	0.834019
-120	76	-2.21974
-118	76	-3.02568
-116	76	0.160992
-114	76	-1.07992
-112	76	-6.47132
-110	76	-1.67854
-108	76	-0.521772
-106	76	-6.87551
-104	76	-4.34182
-102	76	-0.538323
-100	76	-5.33208
-98	76	-7.61496
-96	76	-0.799908
-94	76	-3.82482
-92	76	-10.9498
-90	76	-1.09357
-88	76	-2.53206
-86	76	-11.8284
-84	76	-1.35693
-82	76	-1.33178
-80	76	-9.02824
-78	76	-1.65527
-76	76	-0.200381
-74	76	-5.4555
-72	76	-2.12186
-70	76	0.753067
-68	76	-2.18723
-66	76	-2.73281
-64	76	1.25978
-62	76	0.58372
-60	76	-2.37474
-58	76	0.80137
-56	76	2.45072
-54	76	0.543896
-52	76	-0.649861
-50	76	2.38026
-48	76	3.3643
-46	76	1.67192
-44	76	0.220334
-42	76	2.51441
-40	76	4.135
-38	76	3.73168
-36	76	1.9143
-34	76	1.2069
-32	76	2.86934
-30	76	4.30396
-28	76	4.59229
-26	76	3.88904
-24	76	2.71958
-22	76	2.00063
-20	76	2.31707
-18	76	3.14767
-16	76	3.86424
-14	76	4.25633
-12	76	4.34466
-10	76	4.22264
-8	76	3.99678
-6	76	3.74234
-4	76	3.52371
-2	76	3.36714
0	76	3.27595
2	76	3.24292
4	76	3.25684
6	76	3.30895
8	76	3.39056
10	76	3.4876
12	76	3.5924
14	76	3.68961
16	76	3.76874
18	76	3.82293
20	76	3.83831
22	76	3.77584
24	76	3.56945
26	76	3.16781
28	76	2.63398
30	76	2.28335
32	76	2.48292
34	76	3.01421
36	76	3.17536
38	76	2.47852
40	76	1.20189
42	76	0.969601
44	76	2.01217
46	76	2.20983
48	76	0.658452
50	76	-0.81197
52	76	0.696816
54	76	1.35898
56	76	-0.847533
58	76	-2.5886
60	76	0.163003

62	76	0.107013
64	76	-4.19807
66	76	-2.65072
68	76	0.0536917
70	76	-3.16128
72	76	-6.78391
74	76	-0.78464
76	76	-2.04295
78	76	-11.4943
80	76	-1.99518
82	76	-1.3654
84	76	-12.3072
86	76	-3.26519
88	76	-0.919143
90	76	-9.06497
92	76	-4.39695
94	76	-0.533806
96	76	-5.93046
98	76	-5.27837
100	76	-0.168742
102	76	-3.30278
104	76	-5.71055
106	76	0.0906781
108	76	-1.05433
110	76	-5.07853
112	76	0.0320975
114	76	0.793222
116	76	-2.77342
118	76	-0.64921
120	76	1.97261
122	76	0.436192
124	76	-1.48082
126	76	1.76707
128	76	2.88841
130	76	0.961599
132	76	-0.10615
134	76	2.65323
136	76	3.84195
138	76	2.65477
140	76	0.713731
142	76	1.87998
144	76	3.91667
146	76	4.47627
148	76	3.5652
150	76	2.00822
152	76	1.65204
154	76	2.87053
156	76	4.06121
158	76	4.55909
160	76	4.39629
162	76	3.79853
164	76	3.08337
166	76	2.5729
168	76	2.44601
170	76	2.63291
172	76	2.95828
174	76	3.2738
176	76	3.52746
178	76	3.70583
180	76	3.81396
-180	78	4.04984
-178	78	4.0768
-176	78	4.07441
-174	78	4.04797
-172	78	3.99649
-170	78	3.92
-168	78	3.82075
-166	78	3.7071
-164	78	3.58071
-162	78	3.43246
-160	78	3.25843
-158	78	3.07344
-156	78	2.95881
-154	78	3.04058
-152	78	3.33128
-150	78	3.59288
-148	78	3.46363
-146	78	2.73661
-144	78	1.77773
-142	78	1.71457
-140	78	2.54346
-138	78	2.77418
-136	78	1.62657
-134	78	0.119589
-132	78	0.905583
-130	78	1.91949
-128	78	0.748391
-126	78	-1.61778
-124	78	-0.13441
-122	78	1.03559
-120	78	-1.38108
-118	78	-3.49361
-116	78	-0.0823054
-114	78	-0.53536
-112	78	-5.9596
-110	78	-2.23223
-108	78	-0.316671
-106	78	-5.75544
-104	78	-5.13312
-102	78	-0.535931

-100	78	-4.56178
-98	78	-8.60711
-96	78	-0.888214
-94	78	-3.43387
-92	78	-11.9414
-90	78	-1.18885
-88	78	-2.38906
-86	78	-12.2175
-84	78	-1.39416
-82	78	-1.32582
-80	78	-9.14349
-78	78	-1.5774
-76	78	-0.240855
-74	78	-5.64547
-72	78	-1.87816
-70	78	0.751019
-68	78	-2.44599
-66	78	-2.35382
-64	78	1.39492
-62	78	0.362885
-60	78	-2.26636
-58	78	1.19428
-56	78	2.43656
-54	78	0.223885
-52	78	-0.228035
-50	78	2.76971
-48	78	3.31225
-46	78	1.3078
-44	78	0.551194
-42	78	3.07015
-40	78	4.28801
-38	78	3.46659
-36	78	1.58642
-34	78	1.6083
-32	78	3.46694
-30	78	4.59693
-28	78	4.53678
-26	78	3.58134
-24	78	2.43863
-22	78	2.11546
-20	78	2.76036
-18	78	3.60453
-16	78	4.17157
-14	78	4.37674
-12	78	4.30434
-10	78	4.06779
-8	78	3.77358
-6	78	3.50405
-4	78	3.30257
-2	78	3.18016
0	78	3.12711
2	78	3.12115
4	78	3.15166
6	78	3.20861
8	78	3.28597
10	78	3.3782
12	78	3.47639
14	78	3.57057
16	78	3.65345
18	78	3.72526
20	78	3.79243
22	78	3.8373
24	78	3.79295
26	78	3.55154
28	78	3.05262
30	78	2.46875
32	78	2.30134
34	78	2.77572
36	78	3.24428
38	78	2.9411
40	78	1.72037
42	78	0.84225
44	78	1.69718
46	78	2.37803
48	78	1.30909
50	78	-0.660799
52	78	0.266024
54	78	1.47905
56	78	-0.102105
58	78	-2.69645
60	78	-0.226243
62	78	0.45168
64	78	-3.31657
66	78	-3.33771
68	78	0.0215442
70	78	-2.35587
72	78	-7.4329
74	78	-1.05068
76	78	-1.58513
78	78	-11.1791
80	78	-2.37636
82	78	-1.1486
84	78	-11.1888
86	78	-3.64748
88	78	-0.840531
90	78	-8.58192
92	78	-4.65991
94	78	-0.519596
96	78	-5.86687
98	78	-5.32095

100	78	-0.15812
102	78	-3.415
104	78	-5.53498
106	78	0.160938
108	78	-1.2134
110	78	-4.92766
112	78	0.238875
114	78	0.68264
116	78	-2.93302
118	78	-0.239864
120	78	2.02699
122	78	0.145668
124	78	-1.15939
126	78	2.14366
128	78	2.83048
130	78	0.622021
132	78	0.336626
134	78	3.10664
136	78	3.85134
138	78	2.29071
140	78	0.742032
142	78	2.51006
144	78	4.29021
146	78	4.44181
148	78	3.21735
150	78	1.78015
152	78	2.04745
154	78	3.43376
156	78	4.40781
158	78	4.62715
160	78	4.23555
162	78	3.52133
164	78	2.8597
166	78	2.55901
168	78	2.66456
170	78	2.99168
172	78	3.35023
174	78	3.64373
176	78	3.84867
178	78	3.97778
180	78	4.04984
-180	80	4.1622
-178	80	4.17309
-176	80	4.16792
-174	80	4.14997
-172	80	4.11256
-170	80	4.05736
-168	80	3.98047
-166	80	3.89202
-164	80	3.79795
-162	80	3.69129
-160	80	3.5429
-158	80	3.32751
-156	80	3.0835
-154	80	2.97043
-152	80	3.15544
-150	80	3.5243
-148	80	3.6618
-146	80	3.18624
-144	80	2.15623
-142	80	1.59058
-140	80	2.29698
-138	80	2.90219
-136	80	2.15919
-134	80	0.423814
-132	80	0.561054
-130	80	1.88676
-128	80	1.27314
-126	80	-1.24458
-124	80	-0.561326
-122	80	1.09899
-120	80	-0.683319
-118	80	-3.66517
-116	80	-0.385247
-114	80	-0.148291
-112	80	-5.22565
-110	80	-2.79125
-108	80	-0.200676
-106	80	-4.81304
-104	80	-5.90515
-102	80	-0.577452
-100	80	-3.92362
-98	80	-9.60716
-96	80	-0.997134
-94	80	-3.08522
-92	80	-13.0139
-90	80	-1.29819
-88	80	-2.24058
-86	80	-12.6606
-84	80	-1.45401
-82	80	-1.29778
-80	80	-9.25512
-78	80	-1.54627
-76	80	-0.26327
-74	80	-5.77218
-72	80	-1.71756
-70	80	0.744942
-68	80	-2.6288
-66	80	-2.06626
-64	80	1.48284

-62	80	0.186937
-60	80	-2.10477
-58	80	1.47544
-56	80	2.40048
-54	80	0.00226314
-52	80	0.17174
-50	80	3.04142
-48	80	3.22768
-46	80	1.05436
-44	80	0.941757
-42	80	3.47342
-40	80	4.35166
-38	80	3.22562
-36	80	1.43581
-34	80	2.04993
-32	80	3.89667
-30	80	4.75878
-28	80	4.43618
-26	80	3.33723
-24	80	2.33196
-22	80	2.35472
-20	80	3.14858
-18	80	3.91946
-16	80	4.33529
-14	80	4.40148
-12	80	4.2216
-10	80	3.92344
-8	80	3.61599
-6	80	3.37205
-4	80	3.21746
-2	80	3.14485
0	80	3.13116
2	80	3.1486
4	80	3.18708
6	80	3.24103
8	80	3.30738
10	80	3.38649
12	80	3.46911
14	80	3.54488
16	80	3.60404
18	80	3.65241
20	80	3.71356
22	80	3.80446
24	80	3.87967
26	80	3.80983
28	80	3.44697
30	80	2.804
32	80	2.30457
34	80	2.53774
36	80	3.17115
38	80	3.24066
40	80	2.25415
42	80	0.962857
44	80	1.38034
46	80	2.39253
48	80	1.82012
50	80	-0.271509
52	80	-0.117024
54	80	1.46368
56	80	0.486624
58	80	-2.48485
60	80	-0.64201
62	80	0.651897
64	80	-2.50006
66	80	-3.90278
68	80	-0.0875149
70	80	-1.729
72	80	-7.69399
74	80	-1.35328
76	80	-1.23231
78	80	-10.4103
80	80	-2.77858
82	80	-0.978526
84	80	-10.1346
86	80	-4.05356
88	80	-0.776207
90	80	-8.09583
92	80	-4.96329
94	80	-0.507012
96	80	-5.75498
98	80	-5.43379
100	80	-0.153154
102	80	-3.47107
104	80	-5.44878
106	80	0.204954
108	80	-1.32539
110	80	-4.79696
112	80	0.380784
114	80	0.591825
116	80	-3.00294
118	80	0.0622427
120	80	2.04829
122	80	-0.0761975
124	80	-0.834735
126	80	2.41054
128	80	2.75372
130	80	0.397436
132	80	0.760991
134	80	3.42505
136	80	3.81346

138	80	2.00306
140	80	0.933128
142	80	3.01541
144	80	4.52141
146	80	4.35673
148	80	2.93506
150	80	1.75255
152	80	2.46754
154	80	3.84917
156	80	4.61689
158	80	4.62346
160	80	4.08079
162	80	3.3399
164	80	2.79903
166	80	2.69588
168	80	2.94213
170	80	3.3125
172	80	3.6446
174	80	3.88667
176	80	4.03656
178	80	4.12089
180	80	4.1622
-180	82	4.20318
-178	82	4.20691
-176	82	4.20352
-174	82	4.19666
-172	82	4.1719
-170	82	4.13005
-168	82	4.07094
-166	82	4.00285
-164	82	3.93771
-162	82	3.87605
-160	82	3.78321
-158	82	3.60045
-156	82	3.30909
-154	82	3.03221
-152	82	3.03539
-150	82	3.39819
-148	82	3.73675
-146	82	3.52824
-144	82	2.58628
-142	82	1.64831
-140	82	2.05506
-138	82	2.91254
-136	82	2.56745
-134	82	0.851925
-132	82	0.326016
-130	82	1.76932
-128	82	1.65376
-126	82	-0.753458
-124	82	-0.907755
-122	82	1.07024
-120	82	-0.132802
-118	82	-3.56542
-116	82	-0.709844
-114	82	0.118916
-112	82	-4.46313
-110	82	-3.31892
-108	82	-0.150482
-106	82	-4.0383
-104	82	-6.61578
-102	82	-0.651516
-100	82	-3.39289
-98	82	-10.5692
-96	82	-1.12342
-94	82	-2.77316
-92	82	-14.1447
-90	82	-1.42298
-88	82	-2.08717
-86	82	-13.1283
-84	82	-1.53878
-82	82	-1.24734
-80	82	-9.35422
-78	82	-1.56108
-76	82	-0.264267
-74	82	-5.84021
-72	82	-1.6337
-70	82	0.743107
-68	82	-2.73409
-66	82	-1.87298
-64	82	1.53891
-62	82	0.0699892
-60	82	-1.94343
-58	82	1.66754
-56	82	2.36331
-54	82	-0.122746
-52	82	0.499233
-50	82	3.22675
-48	82	3.15325
-46	82	0.913151
-44	82	1.29014
-42	82	3.75688
-40	82	4.37661
-38	82	3.04314
-36	82	1.4289
-34	82	2.43218
-32	82	4.19398
-30	82	4.84926
-28	82	4.34796
-26	82	3.19266

-24	82	2.35722
-22	82	2.60789
-20	82	3.43753
-18	82	4.11693
-16	82	4.41929
-14	82	4.39039
-12	82	4.15163
-10	82	3.83664
-8	82	3.55324
-6	82	3.35695
-4	82	3.25322
-2	82	3.22484
0	82	3.23874
2	82	3.2701
4	82	3.30843
6	82	3.35506
8	82	3.4075
10	82	3.47234
12	82	3.54427
14	82	3.60654
16	82	3.64142
18	82	3.64913
20	82	3.66326
22	82	3.73718
24	82	3.87254
26	82	3.94821
28	82	3.75703
30	82	3.17892
32	82	2.4711
34	82	2.37694
36	82	3.02673
38	82	3.40403
40	82	2.71503
42	82	1.25556
44	82	1.13584
46	82	2.30978
48	82	2.19123
50	82	0.213465
52	82	-0.388465
54	82	1.36354
56	82	0.927905
58	82	-2.08017
60	82	-1.03289
62	82	0.748433
64	82	-1.80747
66	82	-4.28689
68	82	-0.244944
70	82	-1.24544
72	82	-7.5837
74	82	-1.67404
76	82	-0.962517
78	82	-9.47838
80	82	-3.19251
82	82	-0.847299
84	82	-9.18106
86	82	-4.48315
88	82	-0.725416
90	82	-7.60701
92	82	-5.31285
94	82	-0.497439
96	82	-5.5916
98	82	-5.62079
100	82	-0.153765
102	82	-3.46609
104	82	-5.45365
106	82	0.227004
108	82	-1.38293
110	82	-4.71118
112	82	0.468799
114	82	0.533263
116	82	-3.01347
118	82	0.268797
120	82	2.05747
122	82	-0.217573
124	82	-0.566817
126	82	2.59195
128	82	2.68887
130	82	0.284385
132	82	1.11461
134	82	3.63898
136	82	3.76459
138	82	1.82133
140	82	1.18169
142	82	3.37996
144	82	4.66712
146	82	4.27593
148	82	2.75785
150	82	1.84827
152	82	2.82083
154	82	4.12902
156	82	4.73216
158	82	4.59719
160	82	3.98176
162	82	3.27194
164	82	2.85946
166	82	2.8895
168	82	3.19431
170	82	3.54974
172	82	3.83819
174	82	4.02952

176	82	4.13226
178	82	4.18337
180	82	4.20318
-180	84	4.21548
-178	84	4.218
-176	84	4.22204
-174	84	4.22442
-172	84	4.2159
-170	84	4.18376
-168	84	4.13
-166	84	4.06682
-164	84	4.01664
-162	84	3.9917
-160	84	3.96094
-158	84	3.84449
-156	84	3.56925
-154	84	3.19316
-152	84	3.00335
-150	84	3.27148
-148	84	3.73397
-146	84	3.76643
-144	84	2.98764
-142	84	1.83791
-140	84	1.87004
-138	84	2.85426
-136	84	2.86237
-134	84	1.29657
-132	84	0.22408
-130	84	1.61482
-128	84	1.9185
-126	84	-0.25377
-124	84	-1.13867
-122	84	0.988695
-120	84	0.289556
-118	84	-3.284
-116	84	-1.02312
-114	84	0.297695
-112	84	-3.76735
-110	84	-3.78199
-108	84	-0.146223
-106	84	-3.40754
-104	84	-7.22147
-102	84	-0.748089
-100	84	-2.95029
-98	84	-11.4267
-96	84	-1.26391
-94	84	-2.49293
-92	84	-15.2668
-90	84	-1.56454
-88	84	-1.92931
-86	84	-13.5672
-84	84	-1.65143
-82	84	-1.17519
-80	84	-9.42109
-78	84	-1.62295
-76	84	-0.242209
-74	84	-5.84838
-72	84	-1.62339
-70	84	0.750698
-68	84	-2.76183
-66	84	-1.7727
-64	84	1.57353
-62	84	0.0203923
-60	84	-1.81586
-58	84	1.78707
-56	84	2.34716
-54	84	-0.16493
-52	84	0.728287
-50	84	3.34759
-48	84	3.11463
-46	84	0.874699
-44	84	1.55642
-42	84	3.93994
-40	84	4.39345
-38	84	2.95138
-36	84	1.50446
-34	84	2.71002
-32	84	4.3874
-30	84	4.90807
-28	84	4.30875
-26	84	3.15473
-24	84	2.45784
-22	84	2.81906
-20	84	3.62455
-18	84	4.22596
-16	84	4.45415
-14	84	4.37619
-12	84	4.12284
-10	84	3.82644
-8	84	3.58201
-6	84	3.43064
-4	84	3.36838
-2	84	3.36713
0	84	3.39646
2	84	3.43013
4	84	3.46402
6	84	3.49845
8	84	3.54068
10	84	3.59529
12	84	3.66084

14	84	3.71933
16	84	3.7429
18	84	3.71724
20	84	3.67232
22	84	3.68968
24	84	3.82934
26	84	4.00563
28	84	3.97817
30	84	3.52378
32	84	2.73201
34	84	2.324
36	84	2.86789
38	84	3.47298
40	84	3.07905
42	84	1.62358
44	84	1.00029
46	84	2.18146
48	84	2.44828
50	84	0.693557
52	84	-0.521059
54	84	1.22218
56	84	1.24879
58	84	-1.6078
60	84	-1.35904
62	84	0.775816
64	84	-1.24447
66	84	-4.47077
68	84	-0.425815
70	84	-0.87461
72	84	-7.21698
74	84	-1.99569
76	84	-0.758071
78	84	-8.55939
80	84	-3.6085
82	84	-0.748188
84	84	-8.33238
86	84	-4.9357
88	84	-0.687422
90	84	-7.1164
92	84	-5.71498
94	84	-0.492355
96	84	-5.3751
98	84	-5.88787
100	84	-0.160965
102	84	-3.39675
104	84	-5.55077
106	84	0.22908
108	84	-1.38109
110	84	-4.68224
112	84	0.509797
114	84	0.515249
116	84	-2.98858
118	84	0.389821
120	84	2.06863
122	84	-0.276259
124	84	-0.373839
126	84	2.70592
128	84	2.65274
130	84	0.260341
132	84	1.37341
134	84	3.7817
136	84	3.73844
138	84	1.74042
140	84	1.40489
142	84	3.62844
144	84	4.76255
146	84	4.23112
148	84	2.69242
150	84	1.99026
152	84	3.07604
154	84	4.30567
156	84	4.80325
158	84	4.59216
160	84	3.95853
162	84	3.30571
164	84	2.98919
166	84	3.08099
168	84	3.38927
170	84	3.71339
172	84	3.95706
174	84	4.10251
176	84	4.17566
178	84	4.20486
180	84	4.21548
-180	86	4.22651
-178	86	4.23375
-176	86	4.24862
-174	86	4.26219
-172	86	4.26294
-170	86	4.2396
-168	86	4.18645
-166	86	4.11893
-164	86	4.06843
-162	86	4.06369
-160	86	4.08571
-158	86	4.0424
-156	86	3.81839
-154	86	3.40298
-152	86	3.05245
-150	86	3.17897

-148	86	3.69559
-146	86	3.92556
-144	86	3.3268
-142	86	2.09225
-140	86	1.76324
-138	86	2.77163
-136	86	3.07033
-134	86	1.70053
-132	86	0.24105
-130	86	1.46105
-128	86	2.09984
-126	86	0.195176
-124	86	-1.25009
-122	86	0.886697
-120	86	0.60931
-118	86	-2.91958
-116	86	-1.29865
-114	86	0.414459
-112	86	-3.17131
-110	86	-4.15538
-108	86	-0.17102
-106	86	-2.89653
-104	86	-7.68623
-102	86	-0.857833
-100	86	-2.58011
-98	86	-12.0989
-96	86	-1.41542
-94	86	-2.24042
-92	86	-16.2365
-90	86	-1.72427
-88	86	-1.76806
-86	86	-13.8922
-84	86	-1.79553
-82	86	-1.0829
-80	86	-9.425
-78	86	-1.73498
-76	86	-0.197557
-74	86	-5.78899
-72	86	-1.68621
-70	86	0.769511
-68	86	-2.71118
-66	86	-1.76319
-64	86	1.59214
-62	86	0.0419209
-60	86	-1.73721
-58	86	1.84392
-56	86	2.36245
-54	86	-0.13294
-52	86	0.859333
-50	86	3.41723
-48	86	3.12008
-46	86	0.911913
-44	86	1.72448
-42	86	4.05167
-40	86	4.42803
-38	86	2.95319
-36	86	1.60842
-34	86	2.87938
-32	86	4.49788
-30	86	4.95882
-28	86	4.33495
-26	86	3.21444
-24	86	2.59197
-22	86	2.96683
-20	86	3.72723
-18	86	4.27557
-16	86	4.47129
-14	86	4.38445
-12	86	4.14575
-10	86	3.88378
-8	86	3.67805
-6	86	3.5635
-4	86	3.52556
-2	86	3.53615
0	86	3.56891
2	86	3.59785
4	86	3.62298
6	86	3.64558
8	86	3.67504
10	86	3.7238
12	86	3.78979
14	86	3.85518
16	86	3.88134
18	86	3.8373
20	86	3.73976
22	86	3.68349
24	86	3.78598
26	86	4.01785
28	86	4.12735
30	86	3.81109
32	86	3.01972
34	86	2.3664
36	86	2.73409
38	86	3.48756
40	86	3.3544
42	86	1.98893
44	86	0.971025
46	86	2.04747
48	86	2.62184
50	86	1.11856

52	86	-0.530163
54	86	1.07571
56	86	1.47935
58	86	-1.1491
60	86	-1.59762
62	86	0.76313
64	86	-0.796985
66	86	-4.4789
68	86	-0.608631
70	86	-0.591344
72	86	-6.72748
74	86	-2.30218
76	86	-0.604282
78	86	-7.72764
80	86	-4.01638
82	86	-0.675144
84	86	-7.58089
86	86	-5.41013
88	86	-0.661553
90	86	-6.62593
92	86	-6.17741
94	86	-0.493679
96	86	-5.10619
98	86	-6.24296
100	86	-0.17689
102	86	-3.2616
104	86	-5.74105
106	86	0.210619
108	86	-1.31782
110	86	-4.7116
112	86	0.506617
114	86	0.541745
116	86	-2.9405
118	86	0.431816
120	86	2.08974
122	86	-0.254889
124	86	-0.264563
126	86	2.7694
128	86	2.66114
130	86	0.301028
132	86	1.52206
134	86	3.86649
136	86	3.75356
138	86	1.76029
140	86	1.56855
142	86	3.76968
144	86	4.82708
146	86	4.24634
148	86	2.72915
150	86	2.12917
152	86	3.22763
154	86	4.39994
156	86	4.85165
158	86	4.62384
160	86	4.01619
162	86	3.41972
164	86	3.15487
166	86	3.25509
168	86	3.53421
170	86	3.81805
172	86	4.02162
174	86	4.14148
176	86	4.19647
178	86	4.21654
180	86	4.22651
-180	88	4.25024
-178	88	4.26615
-176	88	4.29346
-174	88	4.31967
-172	88	4.33097
-170	88	4.31074
-168	88	4.25343
-166	88	4.17299
-164	88	4.11005
-162	88	4.11162
-160	88	4.17328
-158	88	4.19768
-156	88	4.03635
-154	88	3.62026
-152	88	3.15471
-150	88	3.13312
-148	88	3.65422
-146	88	4.03451
-144	88	3.59879
-142	88	2.35317
-140	88	1.72999
-138	88	2.69535
-136	88	3.21912
-134	88	2.03988
-132	88	0.333807
-130	88	1.33509
-128	88	2.22738
-126	88	0.572263
-124	88	-1.26333
-122	88	0.789789
-120	88	0.850898
-118	88	-2.54549
-116	88	-1.51873
-114	88	0.490629
-112	88	-2.67864

-110	88	-4.42609
-108	88	-0.210471
-106	88	-2.48394
-104	88	-7.99204
-102	88	-0.972184
-100	88	-2.26967
-98	88	-12.5147
-96	88	-1.57472
-94	88	-2.01209
-92	88	-16.8252
-90	88	-1.90358
-88	88	-1.60468
-86	88	-13.9947
-84	88	-1.97566
-82	88	-0.973388
-80	88	-9.32705
-78	88	-1.90224
-76	88	-0.132896
-74	88	-5.64842
-72	88	-1.82522
-70	88	0.797892
-68	88	-2.58012
-66	88	-1.84258
-64	88	1.59527
-62	88	0.134605
-60	88	-1.70836
-58	88	1.84212
-56	88	2.41248
-54	88	-0.0343762
-52	88	0.896175
-50	88	3.44819
-48	88	3.18151
-46	88	1.01299
-44	88	1.78714
-42	88	4.09166
-40	88	4.48416
-38	88	3.04939
-36	88	1.72481
-34	88	2.94179
-32	88	4.53619
-30	88	5.01056
-28	88	4.42869
-26	88	3.36055
-24	88	2.74192
-22	88	3.05584
-20	88	3.75613
-18	88	4.27653
-16	88	4.47273
-14	88	4.41024
-12	88	4.20901
-10	88	3.98662
-8	88	3.81865
-6	88	3.72638
-4	88	3.69985
-2	88	3.71049
0	88	3.73836
2	88	3.75814
4	88	3.77125
6	88	3.78071
8	88	3.80047
10	88	3.84357
12	88	3.91504
14	88	3.99343
16	88	4.03218
18	88	3.98411
20	88	3.84747
22	88	3.71865
24	88	3.76215
26	88	4.01468
28	88	4.22931
30	88	4.03976
32	88	3.2897
34	88	2.46908
36	88	2.6454
38	88	3.48261
40	88	3.56066
42	88	2.31311
44	88	1.02003
46	88	1.9367
48	88	2.7432
50	88	1.47073
52	88	-0.454845
54	88	0.950239
56	88	1.64698
58	88	-0.74477
60	88	-1.74458
62	88	0.734066
64	88	-0.446075
66	88	-4.36295
68	88	-0.775554
70	88	-0.374966
72	88	-6.21478
74	88	-2.57934
76	88	-0.488709
78	88	-7.00426
80	88	-4.40587
82	88	-0.622702
84	88	-6.9157
86	88	-5.90476
88	88	-0.647112

90	88	-6.13796
92	88	-6.70919
94	88	-0.5036
96	88	-4.78845
98	88	-6.69621
100	88	-0.204789
102	88	-3.06216
104	88	-6.02375
106	88	0.168644
108	88	-1.19406
110	88	-4.79044
112	88	0.45816
114	88	0.612559
116	88	-2.86812
118	88	0.397225
120	88	2.12291
122	88	-0.155978
124	88	-0.238448
126	88	2.78816
128	88	2.71969
130	88	0.400195
132	88	1.57142
134	88	3.90407
136	88	3.81354
138	88	1.86036
140	88	1.65235
142	88	3.81543
144	88	4.87663
146	88	4.3273
148	88	2.85701
150	88	2.24742
152	88	3.28083
154	88	4.42312
156	88	4.8828
158	88	4.69414
160	88	4.14334
162	88	3.59581
164	88	3.34017
166	88	3.41052
168	88	3.64349
170	88	3.8845
172	88	4.06192
174	88	4.16378
176	88	4.21292
178	88	4.2343
180	88	4.25024
-180	90	4.29126
-178	90	4.32411
-176	90	4.36275
-174	90	4.39938
-172	90	4.41742
-170	90	4.39813
-168	90	4.33176
-166	90	4.23311
-164	90	4.15139
-162	90	4.14993
-160	90	4.24045
-158	90	4.32294
-156	90	4.22077
-154	90	3.81979
-152	90	3.27805
-150	90	3.1295
-148	90	3.6314
-146	90	4.11916
-144	90	3.81201
-142	90	2.58334
-140	90	1.74755
-138	90	2.64883
-136	90	3.33523
-134	90	2.31014
-132	90	0.457867
-130	90	1.25245
-128	90	2.32551
-126	90	0.874701
-124	90	-1.21217
-122	90	0.716662
-120	90	1.03529
-118	90	-2.20541
-116	90	-1.67422
-114	90	0.543682
-112	90	-2.28176
-110	90	-4.59457
-108	90	-0.252476
-106	90	-2.15231
-104	90	-8.14371
-102	90	-1.08348
-100	90	-2.00861
-98	90	-12.6451
-96	90	-1.73854
-94	90	-1.80484
-92	90	-16.8224
-90	90	-2.10389
-88	90	-1.44075
-86	90	-13.777
-84	90	-2.19718
-82	90	-0.850422
-80	90	-9.08821
-78	90	-2.13222
-76	90	-0.0530466
-74	90	-5.41125

-72	90	-2.04599
-70	90	0.830857
-68	90	-2.36618
-66	90	-2.00847
-64	90	1.57846
-62	90	0.29492
-60	90	-1.7171
-58	90	1.77985
-56	90	2.49353
-54	90	0.131119
-52	90	0.844312
-50	90	3.43941
-48	90	3.29608
-46	90	1.18107
-44	90	1.75992
-42	90	4.0715
-40	90	4.56606
-38	90	3.23748
-36	90	1.85745
-34	90	2.90463
-32	90	4.50241
-30	90	5.05835
-28	90	4.58038
-26	90	3.58477
-24	90	2.92155
-22	90	3.10635
-20	90	3.72309
-18	90	4.23176
-16	90	4.45733
-14	90	4.44201
-12	90	4.29391
-10	90	4.11696
-8	90	3.97856
-6	90	3.90181
-4	90	3.87755
-2	90	3.88314
0	90	3.89602
2	90	3.90516
4	90	3.90414
6	90	3.90077
8	90	3.91094
10	90	3.95271
12	90	4.03222
14	90	4.12732
16	90	4.1838
18	90	4.13883
20	90	3.97424
22	90	3.78253
24	90	3.76364
26	90	4.01667
28	90	4.30762
30	90	4.22025
32	90	3.51947
34	90	2.59361
36	90	2.60504
38	90	3.4851
40	90	3.72034
42	90	2.57701
44	90	1.10696
46	90	1.86661
48	90	2.83791
50	90	1.75042
52	90	-0.338679
54	90	0.8627
56	90	1.77442
58	90	-0.410238
60	90	-1.81076
62	90	0.70724
64	90	-0.173522
66	90	-4.17991
68	90	-0.912719
70	90	-0.208933
72	90	-5.73654
74	90	-2.81546
76	90	-0.401233
78	90	-6.38822
80	90	-4.76694
82	90	-0.585944
84	90	-6.32594
86	90	-6.41716
88	90	-0.643417
90	90	-5.65516
92	90	-7.32131
94	90	-0.524526
96	90	-4.42742
98	90	-7.25942
100	90	-0.24928
102	90	-2.80296
104	90	-6.39361
106	90	0.0975443
108	90	-1.0143
110	90	-4.89808
112	90	0.359391
114	90	0.722911
116	90	-2.75764
118	90	0.284675
120	90	2.16404
122	90	0.0191582
124	90	-0.28802
126	90	2.76064

128	90	2.82483
130	90	0.558208
132	90	1.5276
134	90	3.89775
136	90	3.92172
138	90	2.04872
140	90	1.67397
142	90	3.77141
144	90	4.90866
146	90	4.46776
148	90	3.07006
150	90	2.35511
152	90	3.24591
154	90	4.37658
156	90	4.8957
158	90	4.79214
160	90	4.32356
162	90	3.82314
164	90	3.55347
166	90	3.56573
168	90	3.73883
170	90	3.93726
172	90	4.09076
174	90	4.18602
176	90	4.23753
178	90	4.26693
180	90	4.29126
-180	92	4.35578
-178	92	4.40086
-176	92	4.4517
-174	92	4.49727
-172	92	4.51924
-170	92	4.49516
-168	92	4.41503
-166	92	4.29474
-164	92	4.19158
-162	92	4.18566
-160	92	4.30085
-158	92	4.43069
-156	92	4.37563
-154	92	3.98889
-152	92	3.39622
-150	92	3.1557
-148	92	3.63905
-146	92	4.19847
-144	92	3.97667
-142	92	2.76413
-140	92	1.79308
-138	92	2.64316
-136	92	3.43575
-134	92	2.51496
-132	92	0.580772
-130	92	1.21996
-128	92	2.41078
-126	92	1.10672
-124	92	-1.1276
-122	92	0.67907
-120	92	1.17778
-118	92	-1.92034
-116	92	-1.76298
-114	92	0.586208
-112	92	-1.97031
-110	92	-4.67145
-108	92	-0.287463
-106	92	-1.8877
-104	92	-8.1658
-102	92	-1.18495
-100	92	-1.78847
-98	92	-12.5195
-96	92	-1.90352
-94	92	-1.61593
-92	92	-16.2181
-90	92	-2.32668
-88	92	-1.27815
-86	92	-13.2087
-84	92	-2.46694
-82	92	-0.719413
-80	92	-8.68289
-78	92	-2.43559
-76	92	0.0340282
-74	92	-5.06655
-72	92	-2.35824
-70	92	0.858195
-68	92	-2.07151
-66	92	-2.25884
-64	92	1.52952
-62	92	0.51185
-60	92	-1.74294
-58	92	1.64509
-56	92	2.59024
-54	92	0.363383
-52	92	0.70592
-50	92	3.37426
-48	92	3.44435
-46	92	1.41534
-44	92	1.64549
-42	92	3.97078
-40	92	4.65022
-38	92	3.49927
-36	92	2.02585

-34	92	2.77758
-32	92	4.38487
-30	92	5.08436
-28	92	4.76747
-26	92	3.87399
-24	92	3.14498
-22	92	3.14454
-20	92	3.64345
-18	92	4.13617
-16	92	4.40498
-14	92	4.45612
-12	92	4.37201
-10	92	4.24499
-8	92	4.13748
-6	92	4.07071
-4	92	4.04352
-2	92	4.03806
0	92	4.03914
2	92	4.02881
4	92	4.01525
6	92	4.00127
8	92	4.00629
10	92	4.05029
12	92	4.14259
14	92	4.25735
16	92	4.3312
18	92	4.28983
20	92	4.1021
22	92	3.85798
24	92	3.7857
26	92	4.03481
28	92	4.38051
30	92	4.36531
32	92	3.70027
34	92	2.70988
36	92	2.60719
38	92	3.51125
40	92	3.84957
42	92	2.77725
44	92	1.20144
46	92	1.84469
48	92	2.92298
50	92	1.96339
52	92	-0.215259
54	92	0.822163
56	92	1.87768
58	92	-0.147984
60	92	-1.81309
62	92	0.695532
64	92	0.0352009
66	92	-3.9747
68	92	-1.01038
70	92	-0.0805897
72	92	-5.32018
74	92	-3.00179
76	92	-0.333415
78	92	-5.87079
80	92	-5.09028
82	92	-0.560413
84	92	-5.80185
86	92	-6.94388
88	92	-0.649733
90	92	-5.18024
92	92	-8.02694
94	92	-0.559421
96	92	-4.0314
98	92	-7.94563
100	92	-0.316805
102	92	-2.49292
104	92	-6.83617
106	92	-0.012064
108	92	-0.788045
110	92	-5.00111
112	92	0.19906
114	92	0.861231
116	92	-2.58934
118	92	0.0857275
120	92	2.19949
122	92	0.264273
124	92	-0.403922
126	92	2.67241
128	92	2.9594
130	92	0.777402
132	92	1.39032
134	92	3.82876
136	92	4.05574
138	92	2.31468
140	92	1.64777
142	92	3.62456
144	92	4.90269
146	92	4.64645
148	92	3.36321
150	92	2.48554
152	92	3.13809
154	92	4.24873
156	92	4.86451
158	92	4.88857
160	92	4.53368
162	92	4.08866
164	92	3.79779

166	92	3.74128
168	92	3.84207
170	92	3.99218
172	92	4.12424
174	92	4.21424
176	92	4.27189
178	92	4.31246
180	92	4.35578
-180	94	4.44447
-178	94	4.5031
-176	94	4.56414
-174	94	4.61492
-172	94	4.6328
-170	94	4.5974
-168	94	4.49576
-166	94	4.35042
-164	94	4.22856
-162	94	4.2237
-160	94	4.3656
-158	94	4.53451
-156	94	4.50856
-154	94	4.12178
-152	94	3.49059
-150	94	3.19939
-148	94	3.68389
-146	94	4.2865
-144	94	4.10136
-142	94	2.88376
-140	94	1.84562
-138	94	2.68705
-136	94	3.53558
-134	94	2.65773
-132	94	0.675587
-130	94	1.24078
-128	94	2.49733
-126	94	1.27266
-124	94	-1.03837
-122	94	0.685709
-120	94	1.29136
-118	94	-1.70198
-116	94	-1.78857
-114	94	0.629265
-112	94	-1.73474
-110	94	-4.67497
-108	94	-0.307107
-106	94	-1.67889
-104	94	-8.09534
-102	94	-1.27013
-100	94	-1.602
-98	94	-12.2105
-96	94	-2.06609
-94	94	-1.44289
-92	94	-15.2141
-90	94	-2.57343
-88	94	-1.1189
-86	94	-12.3458
-84	94	-2.79286
-82	94	-0.58613
-80	94	-8.10665
-78	94	-2.82445
-76	94	0.119531
-74	94	-4.60981
-72	94	-2.76925
-70	94	0.869022
-68	94	-1.69908
-66	94	-2.57632
-64	94	1.43723
-62	94	0.77565
-60	94	-1.73848
-58	94	1.43179
-56	94	2.69009
-54	94	0.675269
-52	94	0.511201
-50	94	3.24406
-48	94	3.61332
-46	94	1.73785
-44	94	1.48861
-42	94	3.78548
-40	94	4.72045
-38	94	3.82415
-36	94	2.27856
-34	94	2.59793
-32	94	4.17161
-30	94	5.0593
-28	94	4.96091
-26	94	4.21834
-24	94	3.44735
-22	94	3.22634
-20	94	3.54865
-18	94	3.99776
-16	94	4.30833
-14	94	4.4308
-12	94	4.41863
-10	94	4.34873
-8	94	4.27176
-6	94	4.21829
-4	94	4.18712
-2	94	4.17046
0	94	4.15718
2	94	4.13215

4	94	4.10474
6	94	4.08243
8	94	4.08708
10	94	4.14301
12	94	4.25375
14	94	4.38972
16	94	4.47706
18	94	4.4316
20	94	4.21748
22	94	3.92934
24	94	3.82186
26	94	4.07653
28	94	4.46167
30	94	4.48491
32	94	3.82877
34	94	2.79666
36	94	2.6445
38	94	3.57374
40	94	3.96187
42	94	2.91194
44	94	1.27722
46	94	1.87538
48	94	3.0131
50	94	2.11475
52	94	-0.112655
54	94	0.833897
56	94	1.97042
58	94	0.0422177
60	94	-1.77233
62	94	0.709796
64	94	0.192152
66	94	-3.78212
68	94	-1.0616
70	94	0.0206778
72	94	-4.97802
74	94	-3.1324
76	94	-0.277691
78	94	-5.442
80	94	-5.36779
82	94	-0.541766
84	94	-5.3351
86	94	-7.4802
88	94	-0.665288
90	94	-4.71585
92	94	-8.84186
94	94	-0.611489
96	94	-3.60955
98	94	-8.76338
100	94	-0.414379
102	94	-2.14251
104	94	-7.31239
106	94	-0.17046
108	94	-0.526396
110	94	-5.0423
112	94	-0.0332733
114	94	1.01573
116	94	-2.33191
118	94	-0.20023
120	94	2.21727
122	94	0.578711
124	94	-0.548537
126	94	2.51549
128	94	3.11076
130	94	1.08012
132	94	1.19147
134	94	3.68909
136	94	4.20172
138	94	2.66854
140	94	1.63691
142	94	3.37909
144	94	4.83963
146	94	4.83872
148	94	3.73071
150	94	2.68763
152	94	2.99645
154	94	4.03898
156	94	4.77077
158	94	4.95571
160	94	4.74449
162	94	4.38032
164	94	4.08554
166	94	3.96214
168	94	3.9855
170	94	4.08154
172	94	4.18322
174	94	4.26865
176	94	4.33336
178	94	4.38786
180	94	4.44447
-180	96	4.56499
-178	96	4.63335
-176	96	4.69931
-174	96	4.74604
-172	96	4.75226
-170	96	4.69356
-168	96	4.56294
-166	96	4.39016
-164	96	4.25701
-162	96	4.26773
-160	96	4.444

-158	96	4.64304
-156	96	4.6224
-154	96	4.2141
-152	96	3.54977
-150	96	3.25392
-148	96	3.77001
-146	96	4.38949
-144	96	4.18876
-142	96	2.93652
-140	96	1.89782
-138	96	2.78303
-136	96	3.63831
-134	96	2.73906
-132	96	0.730442
-130	96	1.31651
-128	96	2.5916
-126	96	1.37512
-124	96	-0.960092
-122	96	0.740703
-120	96	1.38316
-118	96	-1.55407
-116	96	-1.75572
-114	96	0.679556
-112	96	-1.56762
-110	96	-4.62299
-108	96	-0.305434
-106	96	-1.51759
-104	96	-7.96917
-102	96	-1.33373
-100	96	-1.44337
-98	96	-11.7996
-96	96	-2.22271
-94	96	-1.28348
-92	96	-14.0449
-90	96	-2.84577
-88	96	-0.965242
-86	96	-11.2946
-84	96	-3.18484
-82	96	-0.457711
-80	96	-7.38237
-78	96	-3.31474
-76	96	0.191815
-74	96	-4.05108
-72	96	-3.28584
-70	96	0.847508
-68	96	-1.26201
-66	96	-2.92913
-64	96	1.28293
-62	96	1.06701
-60	96	-1.64933
-58	96	1.1276
-56	96	2.76911
-54	96	1.06437
-52	96	0.302462
-50	96	3.02759
-48	96	3.77292
-46	96	2.14663
-44	96	1.33934
-42	96	3.48658
-40	96	4.73449
-38	96	4.17804
-36	96	2.65143
-34	96	2.42929
-32	96	3.8525
-30	96	4.9454
-28	96	5.11771
-26	96	4.5871
-24	96	3.83482
-22	96	3.40724
-20	96	3.49296
-18	96	3.83892
-16	96	4.15876
-14	96	4.34465
-12	96	4.40644
-10	96	4.39554
-8	96	4.35801
-6	96	4.31987
-4	96	4.29038
-2	96	4.2655
0	96	4.23956
2	96	4.2028
4	96	4.16542
6	96	4.14363
8	96	4.16054
10	96	4.23655
12	96	4.3741
14	96	4.53029
16	96	4.62163
18	96	4.5589
20	96	4.30917
22	96	3.98416
24	96	3.86641
26	96	4.14647
28	96	4.55883
30	96	4.58352
32	96	3.90205
34	96	2.84335
36	96	2.71438
38	96	3.67763
40	96	4.06021

42	96	2.97955
44	96	1.32487
46	96	1.96074
48	96	3.11404
50	96	2.20663
52	96	-0.0444037
54	96	0.900188
56	96	2.05928
58	96	0.161962
60	96	-1.70266
62	96	0.755805
64	96	0.304869
66	96	-3.62164
68	96	-1.06283
70	96	0.102124
72	96	-4.71323
74	96	-3.20424
76	96	-0.22825
78	96	-5.09266
80	96	-5.59335
82	96	-0.526134
84	96	-4.91865
86	96	-8.02029
88	96	-0.689285
90	96	-4.26435
92	96	-9.7845
94	96	-0.684382
96	96	-3.17208
98	96	-9.70761
100	96	-0.551262
102	96	-1.76571
104	96	-7.74707
106	96	-0.392048
108	96	-0.245326
110	96	-4.95385
112	96	-0.353533
114	96	1.16778
116	96	-1.9648
118	96	-0.573821
120	96	2.19605
122	96	0.948898
124	96	-0.670467
126	96	2.27194
128	96	3.25232
130	96	1.47167
132	96	0.973915
134	96	3.45276
136	96	4.32049
138	96	3.0863
140	96	1.70561
142	96	3.03613
144	96	4.68626
146	96	5.00438
148	96	4.14924
150	96	3.00916
152	96	2.88763
154	96	3.75415
156	96	4.58091
158	96	4.95107
160	96	4.91543
162	96	4.66817
164	96	4.4018
166	96	4.23633
168	96	4.19126
170	96	4.22734
172	96	4.29634
174	96	4.36664
176	96	4.43302
178	96	4.49778
180	96	4.56499
-180	98	4.72278
-178	98	4.79248
-176	98	4.85161
-174	98	4.8826
-172	98	4.86072
-170	98	4.76655
-168	98	4.60115
-166	98	4.40611
-164	98	4.27787
-162	98	4.32537
-160	98	4.54554
-158	98	4.7604
-156	98	4.71593
-154	98	4.25959
-152	98	3.56854
-150	98	3.32168
-148	98	3.90112
-146	98	4.50658
-144	98	4.23345
-142	98	2.918
-140	98	1.95298
-138	98	2.93515
-136	98	3.74283
-134	98	2.75471
-132	98	0.745906
-130	98	1.44918
-128	98	2.69321
-126	98	1.41272
-124	98	-0.897319
-122	98	0.845551

-120	98	1.45531
-118	98	-1.4782
-116	98	-1.66819
-114	98	0.740553
-112	98	-1.46464
-110	98	-4.52975
-108	98	-0.278601
-106	98	-1.39814
-104	98	-7.81786
-102	98	-1.3714
-100	98	-1.30794
-98	98	-11.3541
-96	98	-2.3698
-94	98	-1.13578
-92	98	-12.8637
-90	98	-3.14539
-88	98	-0.819579
-86	98	-10.1593
-84	98	-3.65506
-82	98	-0.34194
-80	98	-6.55145
-78	98	-3.92522
-76	98	0.237163
-74	98	-3.41323
-72	98	-3.90565
-70	98	0.774212
-68	98	-0.781958
-66	98	-3.25554
-64	98	1.04412
-62	98	1.3601
-60	98	-1.42028
-58	98	0.72429
-56	98	2.79719
-54	98	1.51309
-52	98	0.150386
-50	98	2.69786
-48	98	3.87923
-46	98	2.62194
-44	98	1.29432
-42	98	3.07534
-40	98	4.65411
-38	98	4.51344
-36	98	3.14501
-34	98	2.3759
-32	98	3.44059
-30	98	4.70247
-28	98	5.18428
-26	98	4.93001
-24	98	4.28998
-22	98	3.72842
-20	98	3.55483
-18	98	3.71714
-16	98	3.98393
-14	98	4.20008
-12	98	4.32051
-10	98	4.36509
-8	98	4.36938
-6	98	4.3563
-4	98	4.33261
-2	98	4.30681
0	98	4.27406
2	98	4.23369
4	98	4.19781
6	98	4.19211
8	98	4.23322
10	98	4.34551
12	98	4.51564
14	98	4.68529
16	98	4.76382
18	98	4.66372
20	98	4.36647
22	98	4.0146
24	98	3.92057
26	98	4.24987
28	98	4.67421
30	98	4.65859
32	98	3.91478
34	98	2.84857
36	98	2.82202
38	98	3.82312
40	98	4.1423
42	98	2.97497
44	98	1.34448
46	98	2.10364
48	98	3.22291
50	98	2.23586
52	98	-0.0127259
54	98	1.02261
56	98	2.14551
58	98	0.21077
60	98	-1.61029
62	98	0.835914
64	98	0.376712
66	98	-3.50271
68	98	-1.01271
70	98	0.16814
72	98	-4.52592
74	98	-3.21652
76	98	-0.180707
78	98	-4.81538

80	98	-5.76279
82	98	-0.510057
84	98	-4.54683
86	98	-8.55685
88	98	-0.720904
90	98	-3.82788
92	98	-10.8741
94	98	-0.782227
96	98	-2.72921
98	98	-10.732
100	98	-0.738373
102	98	-1.37796
104	98	-8.01679
106	98	-0.694547
108	98	0.0359817
110	98	-4.67295
112	98	-0.779199
114	98	1.29435
116	98	-1.48467
118	98	-1.02235
120	98	2.10953
122	98	1.35072
124	98	-0.695949
126	98	1.92418
128	98	3.34894
130	98	1.9343
132	98	0.806743
134	98	3.09661
136	98	4.37408
138	98	3.5447
140	98	1.9407
142	98	2.62856
144	98	4.40092
146	98	5.09261
148	98	4.57421
150	98	3.46872
152	98	2.91139
154	98	3.43715
156	98	4.27962
158	98	4.82983
160	98	4.99751
162	98	4.90574
164	98	4.71592
166	98	4.55196
168	98	4.46353
170	98	4.44559
172	98	4.47493
174	98	4.52696
176	98	4.58599
178	98	4.6528
180	98	4.72278
-180	100	4.9127
-178	100	4.968
-176	100	5.00546
-174	100	5.0029
-172	100	4.93775
-170	100	4.79737
-168	100	4.59118
-166	100	4.38466
-164	100	4.29188
-162	100	4.40639
-160	100	4.67577
-158	100	4.88461
-156	100	4.78013
-154	100	4.2491
-152	100	3.54951
-150	100	3.41596
-148	100	4.0797
-146	100	4.62734
-144	100	4.22403
-142	100	2.82632
-140	100	2.03003
-138	100	3.14134
-136	100	3.83879
-134	100	2.69598
-132	100	0.731059
-130	100	1.64178
-128	100	2.79467
-126	100	1.37952
-124	100	-0.842755
-122	100	0.999274
-120	100	1.50509
-118	100	-1.47466
-116	100	-1.52693
-114	100	0.812407
-112	100	-1.42461
-110	100	-4.40305
-108	100	-0.224709
-106	100	-1.31744
-104	100	-7.66298
-102	100	-1.3798
-100	100	-1.19221
-98	100	-10.9208
-96	100	-2.50386
-94	100	-0.998059
-92	100	-11.7439
-90	100	-3.47414
-88	100	-0.684318
-86	100	-9.01463
-84	100	-4.2186

-82	100	-0.24741
-80	100	-5.66108
-78	100	-4.67642
-76	100	0.2397
-74	100	-2.72793
-72	100	-4.60194
-70	100	0.626111
-68	100	-0.287693
-66	100	-3.45545
-64	100	0.695612
-62	100	1.62325
-60	100	-1.01854
-58	100	0.228967
-56	100	2.73882
-54	100	1.98281
-52	100	0.149658
-50	100	2.24386
-48	100	3.89381
-46	100	3.12512
-44	100	1.45712
-42	100	2.56279
-40	100	4.42745
-38	100	4.77551
-36	100	3.72318
-34	100	2.55192
-32	100	3.00567
-30	100	4.30146
-28	100	5.10073
-26	100	5.17896
-24	100	4.75457
-22	100	4.18561
-20	100	3.80145
-18	100	3.72382
-16	100	3.84789
-14	100	4.02604
-12	100	4.16876
-10	100	4.25699
-8	100	4.2978
-6	100	4.31009
-4	100	4.30222
-2	100	4.2834
0	100	4.25751
2	100	4.22704
4	100	4.21335
6	100	4.24134
8	100	4.33071
10	100	4.48946
12	100	4.68764
14	100	4.85428
16	100	4.89344
18	100	4.73054
20	100	4.37641
22	100	4.02045
24	100	3.99478
26	100	4.39271
28	100	4.80325
30	100	4.69942
32	100	3.85901
34	100	2.82275
36	100	2.98033
38	100	4.00624
40	100	4.19525
42	100	2.8903
44	100	1.35154
46	100	2.30758
48	100	3.33353
50	100	2.19489
52	100	-0.00783725
54	100	1.20144
56	100	2.22439
58	100	0.185675
60	100	-1.49213
62	100	0.949146
64	100	0.406833
66	100	-3.42676
68	100	-0.911446
70	100	0.220371
72	100	-4.41503
74	100	-3.16972
76	100	-0.132073
78	100	-4.60493
80	100	-5.87405
82	100	-0.490478
84	100	-4.215
86	100	-9.08148
88	100	-0.75932
90	100	-3.40825
92	100	-12.124
94	100	-0.909667
96	100	-2.29088
98	100	-11.6922
100	100	-0.988833
102	100	-0.995838
104	100	-7.97063
106	100	-1.09926
108	100	0.295813
110	100	-4.1698
112	100	-1.326
114	100	1.36846
116	100	-0.911592

118	100	-1.50382
120	100	1.92716
122	100	1.74934
124	100	-0.544153
126	100	1.45989
128	100	3.35716
130	100	2.43433
132	100	0.807032
134	100	2.61784
136	100	4.31368
138	100	3.98222
140	100	2.38107
142	100	2.25874
144	100	3.96084
146	100	5.04016
148	100	4.94022
150	100	4.03102
152	100	3.16649
154	100	3.19475
156	100	3.88738
158	100	4.55987
160	100	4.93152
162	100	5.0289
164	100	4.9659
166	100	4.85671
168	100	4.76692
170	100	4.72296
172	100	4.72111
174	100	4.74812
176	100	4.79377
178	100	4.85029
180	100	4.9127
-180	102	5.10607
-178	102	5.13074
-176	102	5.12702
-174	102	5.07253
-172	102	4.94937
-170	102	4.7552
-168	102	4.52253
-166	102	4.34103
-164	102	4.32778
-162	102	4.53099
-160	102	4.83736
-158	102	4.99997
-156	102	4.79259
-154	102	4.16977
-152	102	3.50659
-150	102	3.55941
-148	102	4.3027
-146	102	4.73389
-144	102	4.14161
-142	102	2.66849
-140	102	2.16013
-138	102	3.39617
-136	102	3.90625
-134	102	2.55015
-132	102	0.713009
-130	102	1.89504
-128	102	2.88406
-126	102	1.26667
-124	102	-0.775329
-122	102	1.19741
-120	102	1.52442
-118	102	-1.54197
-116	102	-1.33037
-114	102	0.891799
-112	102	-1.44976
-110	102	-4.2432
-108	102	-0.143817
-106	102	-1.27492
-104	102	-7.51653
-102	102	-1.35653
-100	102	-1.09375
-98	102	-10.5287
-96	102	-2.62148
-94	102	-0.868814
-92	102	-10.7124
-90	102	-3.83409
-88	102	-0.562004
-86	102	-7.90559
-84	102	-4.89426
-82	102	-0.18326
-80	102	-4.75462
-78	102	-5.58543
-76	102	0.181567
-74	102	-2.03061
-72	102	-5.2951
-70	102	0.376542
-68	102	0.187358
-66	102	-3.40731
-64	102	0.213027
-62	102	1.81981
-60	102	-0.455303
-58	102	-0.316412
-56	102	2.55083
-54	102	2.4252
-52	102	0.395283
-50	102	1.68245
-48	102	3.76681
-46	102	3.58638

-44	102	1.88083
-42	102	2.04524
-40	102	4.01548
-38	102	4.88661
-36	102	4.30144
-34	102	3.01992
-32	102	2.70925
-30	102	3.75531
-28	102	4.80832
-26	102	5.25036
-24	102	5.13208
-22	102	4.70316
-20	102	4.24449
-18	102	3.95321
-16	102	3.87395
-14	102	3.92604
-12	102	4.02226
-10	102	4.10977
-8	102	4.17025
-6	102	4.20405
-4	102	4.21658
-2	102	4.21674
0	102	4.21369
2	102	4.21606
4	102	4.24884
6	102	4.33412
8	102	4.48342
10	102	4.68586
12	102	4.89308
14	102	5.02377
16	102	4.99038
18	102	4.73863
20	102	4.32844
22	102	4.00833
24	102	4.10332
26	102	4.57425
28	102	4.92948
30	102	4.68558
32	102	3.72717
34	102	2.79196
36	102	3.20563
38	102	4.21062
40	102	4.19927
42	102	2.71784
44	102	1.37902
46	102	2.5706
48	102	3.42969
50	102	2.07201
52	102	-0.00819119
54	102	1.43502
56	102	2.28355
58	102	0.0820279
60	102	-1.33618
62	102	1.09074
64	102	0.390018
66	102	-3.38732
68	102	-0.76072
70	102	0.257357
72	102	-4.37988
74	102	-3.06483
76	102	-0.0808525
78	102	-4.45825
80	102	-5.92642
82	102	-0.464794
84	102	-3.91954
86	102	-9.58478
88	102	-0.803714
90	102	-3.00696
92	102	-13.5196
94	102	-1.07191
96	102	-1.86631
98	102	-12.2842
100	102	-1.31823
102	102	-0.635921
104	102	-7.50807
106	102	-1.63103
108	102	0.510362
110	102	-3.46708
112	102	-1.99888
114	102	1.35934
116	102	-0.286953
118	102	-1.9255
120	102	1.61631
122	102	2.10055
124	102	-0.170099
126	102	0.900362
128	102	3.23658
130	102	2.91641
132	102	1.07032
134	102	2.04206
136	102	4.08429
138	102	4.33567
140	102	2.99726
142	102	2.08885
144	102	3.37796
146	102	4.79019
148	102	5.166
150	102	4.60544
152	102	3.67622
154	102	3.19259

156	102	3.49798
158	102	4.14191
160	102	4.67509
162	102	4.97042
164	102	5.07557
166	102	5.07162
168	102	5.0334
170	102	5.00039
172	102	4.98915
174	102	5.00104
176	102	5.02913
178	102	5.06651
180	102	5.10607
-180	104	5.24238
-178	104	5.22243
-176	104	5.16052
-174	104	5.04171
-172	104	4.86033
-170	104	4.62591
-168	104	4.40771
-166	104	4.30627
-164	104	4.41663
-162	104	4.71573
-160	104	5.02093
-158	104	5.08371
-156	104	4.73005
-154	104	4.01888
-152	104	3.47414
-150	104	3.77474
-148	104	4.54914
-146	104	4.79163
-144	104	3.95879
-142	104	2.4686
-140	104	2.38058
-138	104	3.68104
-136	104	3.9192
-134	104	2.30604
-132	104	0.738707
-130	104	2.20228
-128	104	2.94064
-126	104	1.0643
-124	104	-0.66477
-122	104	1.43001
-120	104	1.4998
-118	104	-1.6741
-116	104	-1.07576
-114	104	0.971793
-112	104	-1.54517
-110	104	-4.04431
-108	104	-0.0380725
-106	104	-1.27243
-104	104	-7.38208
-102	104	-1.30033
-100	104	-1.01116
-98	104	-10.1948
-96	104	-2.71947
-94	104	-0.746813
-92	104	-9.77414
-90	104	-4.22753
-88	104	-0.455226
-86	104	-6.85583
-84	104	-5.70561
-82	104	-0.159551
-80	104	-3.86752
-78	104	-6.65097
-76	104	0.0423343
-74	104	-1.35619
-72	104	-5.818
-70	104	-0.00486671
-68	104	0.607102
-66	104	-3.02723
-64	104	-0.418956
-62	104	1.90919
-60	104	0.210427
-58	104	-0.805106
-56	104	2.19872
-54	104	2.78177
-52	104	0.903619
-50	104	1.09273
-48	104	3.44333
-46	104	3.93142
-44	104	2.52422
-42	104	1.71131
-40	104	3.40034
-38	104	4.78053
-36	104	4.76248
-34	104	3.70585
-32	104	2.77171
-30	104	3.18183
-28	104	4.28123
-26	104	5.06571
-24	104	5.3144
-22	104	5.15144
-20	104	4.78589
-18	104	4.41296
-16	104	4.15859
-14	104	4.04091
-12	104	4.01994
-10	104	4.04397
-8	104	4.085

-6	104	4.1183
-4	104	4.14821
-2	104	4.17739
0	104	4.21302
2	104	4.27014
4	104	4.36703
6	104	4.51856
8	104	4.72026
10	104	4.93839
12	104	5.1132
14	104	5.16329
16	104	5.01729
18	104	4.66326
20	104	4.22828
22	104	4.01637
24	104	4.27525
26	104	4.78853
28	104	5.02438
30	104	4.58517
32	104	3.51539
34	104	2.80242
36	104	3.5053
38	104	4.41245
40	104	4.12451
42	104	2.45696
44	104	1.47469
46	104	2.88273
48	104	3.48474
50	104	1.85396
52	104	0.0258505
54	104	1.71629
56	104	2.30768
58	104	-0.103772
60	104	-1.12395
62	104	1.25165
64	104	0.316775
66	104	-3.36916
68	104	-0.56391
70	104	0.274885
72	104	-4.41961
74	104	-2.90326
76	104	-0.0270599
78	104	-4.37442
80	104	-5.92043
82	104	-0.430919
84	104	-3.65764
86	104	-10.0573
88	104	-0.853312
90	104	-2.62528
92	104	-14.9563
94	104	-1.27493
96	104	-1.46413
98	104	-12.1382
100	104	-1.74554
102	104	-0.315269
104	104	-6.65801
106	104	-2.31703
108	104	0.653982
110	104	-2.63243
112	104	-2.77191
114	104	1.23259
116	104	0.33453
118	104	-2.13641
120	104	1.14604
122	104	2.35309
124	104	0.411476
126	104	0.327382
128	104	2.9419
130	104	3.30982
132	104	1.6012
134	104	1.48838
136	104	3.64675
138	104	4.5233
140	104	3.67387
142	104	2.3098
144	104	2.75131
146	104	4.29515
148	104	5.15537
150	104	5.06488
152	104	4.33705
154	104	3.55768
156	104	3.32689
158	104	3.68724
160	104	4.23582
162	104	4.6821
164	104	4.96265
166	104	5.10524
168	104	5.16386
170	104	5.1835
172	104	5.19482
174	104	5.20609
176	104	5.22209
178	104	5.23777
180	104	5.24238
-180	106	5.23571
-178	106	5.16393
-176	106	5.04375
-174	106	4.86831
-172	106	4.65078
-170	106	4.42828

-168	106	4.2979
-166	106	4.34593
-164	106	4.60628
-162	106	4.95985
-160	106	5.19021
-158	106	5.08726
-156	106	4.56095
-154	106	3.81571
-152	106	3.51534
-150	106	4.07881
-148	106	4.79188
-146	106	4.75894
-144	106	3.65623
-142	106	2.28598
-140	106	2.7173
-138	106	3.96079
-136	106	3.8372
-134	106	1.96155
-132	106	0.867035
-130	106	2.54319
-128	106	2.93601
-126	106	0.766635
-124	106	-0.471358
-122	106	1.6822
-120	106	1.41208
-118	106	-1.85512
-116	106	-0.762129
-114	106	1.04143
-112	106	-1.71836
-110	106	-3.79468
-108	106	0.0879686
-106	106	-1.31449
-104	106	-7.25422
-102	106	-1.21127
-100	106	-0.944314
-98	106	-9.92877
-96	106	-2.79502
-94	106	-0.631052
-92	106	-8.92528
-90	106	-4.65705
-88	106	-0.366534
-86	106	-5.87611
-84	106	-6.68139
-82	106	-0.186917
-80	106	-3.02599
-78	106	-7.8111
-76	106	-0.201363
-74	106	-0.736619
-72	106	-5.92951
-70	106	-0.551254
-68	106	0.934256
-66	106	-2.33488
-64	106	-1.18594
-62	106	1.84756
-60	106	0.890375
-58	106	-1.04717
-56	106	1.65358
-54	106	2.98792
-52	106	1.58832
-50	106	0.654706
-48	106	2.89506
-46	106	4.08025
-44	106	3.2383
-42	106	1.80275
-40	106	2.65741
-38	106	4.37835
-36	106	4.99574
-34	106	4.41458
-32	106	3.29827
-30	106	2.87414
-28	106	3.59967
-26	106	4.57751
-24	106	5.19274
-22	106	5.37592
-20	106	5.25088
-18	106	4.97119
-16	106	4.6754
-14	106	4.44065
-12	106	4.29387
-10	106	4.217
-8	106	4.19622
-6	106	4.20312
-4	106	4.23316
-2	106	4.28476
0	106	4.36408
2	106	4.47548
4	106	4.63065
6	106	4.82485
8	106	5.03447
10	106	5.21208
12	106	5.29664
14	106	5.21558
16	106	4.93243
18	106	4.4932
20	106	4.10471
22	106	4.09142
24	106	4.52398
26	106	5.01008
28	106	5.04975
30	106	4.37394

32	106	3.25484
34	106	2.92002
36	106	3.86959
38	106	4.56543
40	106	3.93015
42	106	2.1262
44	106	1.69374
46	106	3.21995
48	106	3.46784
50	106	1.53284
52	106	0.147838
54	106	2.02867
56	106	2.27329
58	106	-0.369245
60	106	-0.835952
62	106	1.41797
64	106	0.173581
66	106	-3.34517
68	106	-0.326883
70	106	0.26524
72	106	-4.53158
74	106	-2.68674
76	106	0.0274434
78	106	-4.35463
80	106	-5.85673
82	106	-0.387528
84	106	-3.42735
86	106	-10.4901
88	106	-0.907373
90	106	-2.26411
92	106	-16.1166
94	106	-1.52542
96	106	-1.09213
98	106	-11.1768
100	106	-2.29367
102	106	-0.050591
104	106	-5.55933
106	106	-3.18218
108	106	0.69893
110	106	-1.75158
112	106	-3.54749
114	106	0.950548
116	106	0.894081
118	106	-1.98069
120	106	0.499238
122	106	2.45678
124	106	1.10779
126	106	-0.0842348
128	106	2.43775
130	106	3.53489
132	106	2.30257
134	106	1.19052
136	106	2.98214
138	106	4.46138
140	106	4.26515
142	106	2.92683
144	106	2.36124
146	106	3.57107
148	106	4.83797
150	106	5.28013
152	106	4.95468
154	106	4.22235
156	106	3.59072
158	106	3.44615
160	106	3.74553
162	106	4.19394
164	106	4.59071
166	106	4.87317
168	106	5.05527
170	106	5.15997
172	106	5.22459
174	106	5.25815
176	106	5.27227
178	106	5.26662
180	106	5.23571
-180	108	5.00515
-178	108	4.89733
-176	108	4.74144
-174	108	4.55128
-172	108	4.36681
-170	108	4.25533
-168	108	4.30043
-166	108	4.53986
-164	108	4.90397
-162	108	5.2164
-160	108	5.2827
-158	108	4.96066
-156	108	4.27374
-154	108	3.62197
-152	108	3.69661
-150	108	4.44894
-148	108	4.97473
-146	108	4.5908
-144	108	3.23833
-142	108	2.22535
-140	108	3.16226
-138	108	4.18841
-136	108	3.6178
-134	108	1.54291
-132	108	1.15466

-130	108	2.88495
-128	108	2.83204
-126	108	0.383573
-124	108	-0.159941
-122	108	1.93021
-120	108	1.2389
-118	108	-2.04972
-116	108	-0.393943
-114	108	1.08544
-112	108	-1.97752
-110	108	-3.48072
-108	108	0.227416
-106	108	-1.40838
-104	108	-7.1194
-102	108	-1.09047
-100	108	-0.894116
-98	108	-9.73578
-96	108	-2.84566
-94	108	-0.520795
-92	108	-8.15863
-90	108	-5.12559
-88	108	-0.298616
-86	108	-4.97043
-84	108	-7.85426
-82	108	-0.277256
-80	108	-2.24952
-78	108	-8.85157
-76	108	-0.576958
-74	108	-0.200827
-72	108	-5.46201
-70	108	-1.29478
-68	108	1.1307
-66	108	-1.4501
-64	108	-1.99922
-62	108	1.58673
-60	108	1.49456
-58	108	-0.859929
-56	108	0.921641
-54	108	2.97854
-52	108	2.29431
-50	108	0.632026
-48	108	2.13814
-46	108	3.94778
-44	108	3.84804
-42	108	2.38836
-40	108	2.04296
-38	108	3.67112
-36	108	4.88818
-34	108	4.945
-32	108	4.09937
-30	108	3.13956
-28	108	3.0617
-26	108	3.84126
-24	108	4.70154
-22	108	5.24568
-20	108	5.4461
-18	108	5.40201
-16	108	5.22775
-14	108	5.0129
-12	108	4.82251
-10	108	4.68342
-8	108	4.59867
-6	108	4.56707
-4	108	4.58144
-2	108	4.63787
0	108	4.73467
2	108	4.86845
4	108	5.03222
6	108	5.20572
8	108	5.3527
10	108	5.42307
12	108	5.35773
14	108	5.11371
16	108	4.70301
18	108	4.25025
20	108	4.0424
22	108	4.29932
24	108	4.8364
26	108	5.18215
28	108	4.94454
30	108	4.0283
32	108	3.01996
34	108	3.20306
36	108	4.25847
38	108	4.62356
40	108	3.58666
42	108	1.79585
44	108	2.06956
46	108	3.53795
48	108	3.33425
50	108	1.11787
52	108	0.411582
54	108	2.34425
56	108	2.15102
58	108	-0.695396
60	108	-0.460808
62	108	1.56886
64	108	-0.0562568
66	108	-3.2759
68	108	-0.0587568

70	108	0.217472
72	108	-4.70935
74	108	-2.41786
76	108	0.0791724
78	108	-4.40214
80	108	-5.73599
82	108	-0.333855
84	108	-3.22738
86	108	-10.876
88	108	-0.965293
90	108	-1.92432
92	108	-16.4467
94	108	-1.83123
96	108	-0.757664
98	108	-9.71635
100	108	-2.99095
102	108	0.140948
104	108	-4.37037
106	108	-4.23325
108	108	0.614756
110	108	-0.904433
112	108	-4.10669
114	108	0.473796
116	108	1.33428
118	108	-1.4188
120	108	-0.291669
122	108	2.35708
124	108	1.79146
126	108	-0.101789
128	108	1.71965
130	108	3.51983
132	108	3.00253
134	108	1.38566
136	108	2.18004
138	108	4.0836
140	108	4.61857
142	108	3.73598
144	108	2.52601
146	108	2.82339
148	108	4.17454
150	108	5.12577
152	108	5.32485
154	108	4.92967
156	108	4.26342
158	108	3.71132
160	108	3.53438
162	108	3.70779
164	108	4.04337
166	108	4.37795
168	108	4.65079
170	108	4.84729
172	108	4.97491
174	108	5.04866
176	108	5.07737
178	108	5.06355
180	108	5.00515
-180	110	4.54645
-178	110	4.44676
-176	110	4.32395
-174	110	4.21662
-172	110	4.18094
-170	110	4.28034
-168	110	4.53759
-166	110	4.9037
-164	110	5.24379
-162	110	5.39494
-160	110	5.21478
-158	110	4.65213
-156	110	3.90738
-154	110	3.56734
-152	110	4.0595
-150	110	4.82449
-148	110	5.02016
-146	110	4.22778
-144	110	2.7614
-142	110	2.40254
-140	110	3.66405
-138	110	4.30046
-136	110	3.22429
-134	110	1.14341
-132	110	1.61659
-130	110	3.17828
-128	110	2.58852
-126	110	-0.0412709
-124	110	0.283775
-122	110	2.14212
-120	110	0.953831
-118	110	-2.19697
-116	110	0.0158091
-114	110	1.08411
-112	110	-2.32829
-110	110	-3.09144
-108	110	0.370629
-106	110	-1.56387
-104	110	-6.95595
-102	110	-0.940662
-100	110	-0.86268
-98	110	-9.61873
-96	110	-2.86947
-94	110	-0.415546

-92	110	-7.46649
-90	110	-5.63643
-88	110	-0.254099
-86	110	-4.13909
-84	110	-9.25069
-82	110	-0.443774
-80	110	-1.55258
-78	110	-9.32773
-76	110	-1.1169
-74	110	0.224644
-72	110	-4.49287
-70	110	-2.25317
-68	110	1.15644
-66	110	-0.525598
-64	110	-2.63216
-62	110	1.08466
-60	110	1.93809
-58	110	-0.23
-56	110	0.102226
-54	110	2.6874
-52	110	2.86894
-50	110	1.13649
-48	110	1.33341
-46	110	3.47423
-44	110	4.19809
-42	110	3.22715
-40	110	1.98643
-38	110	2.77049
-36	110	4.36394
-34	110	5.10416
-32	110	4.83281
-30	110	3.92828
-28	110	3.14075
-26	110	3.19015
-24	110	3.90516
-22	110	4.68003
-20	110	5.21661
-18	110	5.48238
-16	110	5.54628
-14	110	5.49054
-12	110	5.38061
-10	110	5.26755
-8	110	5.17888
-6	110	5.13158
-4	110	5.12612
-2	110	5.1651
0	110	5.2412
2	110	5.34005
4	110	5.445
6	110	5.52678
8	110	5.54222
10	110	5.44815
12	110	5.20348
14	110	4.80969
16	110	4.3501
18	110	4.05036
20	110	4.16113
22	110	4.64946
24	110	5.14522
26	110	5.22909
28	110	4.66015
30	110	3.57777
32	110	2.94538
34	110	3.6523
36	110	4.60054
38	110	4.51874
40	110	3.08032
42	110	1.60114
44	110	2.58489
46	110	3.78085
48	110	3.04278
50	110	0.666678
52	110	0.841317
54	110	2.62187
56	110	1.90507
58	110	-1.03124
60	110	-0.00274944
62	110	1.67981
64	110	-0.390921
66	110	-3.11252
68	110	0.227123
70	110	0.117107
72	110	-4.9371
74	110	-2.10107
76	110	0.12275
78	110	-4.5222
80	110	-5.55854
82	110	-0.269936
84	110	-3.05709
86	110	-11.2105
88	110	-1.0265
90	110	-1.60645
92	110	-15.6579
94	110	-2.20148
96	110	-0.467612
98	110	-8.11638
100	110	-3.87181
102	110	0.241418
104	110	-3.20944
106	110	-5.41287

108	110	0.367245
110	110	-0.155686
112	110	-4.14648
114	110	-0.233123
116	110	1.59992
118	110	-0.575609
120	110	-1.08885
122	110	2.0008
124	110	2.33852
126	110	0.38158
128	110	0.895623
130	110	3.1973
132	110	3.52768
134	110	2.06404
136	110	1.54051
138	110	3.35718
140	110	4.61669
142	110	4.43541
144	110	3.26472
146	110	2.50228
148	110	3.282
150	110	4.53484
152	110	5.2811
154	110	5.38644
156	110	5.02076
158	110	4.44031
160	110	3.91932
162	110	3.6506
164	110	3.65497
166	110	3.83359
168	110	4.06526
170	110	4.28157
172	110	4.4465
174	110	4.55519
176	110	4.60474
178	110	4.601
180	110	4.54645
-180	112	4.06839
-178	112	4.0564
-176	112	4.07101
-174	112	4.15204
-172	112	4.3387
-170	112	4.63739
-168	112	4.99682
-166	112	5.3238
-164	112	5.48629
-162	112	5.36802
-160	112	4.89944
-158	112	4.17567
-156	112	3.61709
-154	112	3.78659
-152	112	4.5438
-150	112	5.0965
-148	112	4.84897
-146	112	3.66235
-144	112	2.39409
-142	112	2.86277
-140	112	4.12489
-138	112	4.22193
-136	112	2.63493
-134	112	0.931631
-132	112	2.20376
-130	112	3.36293
-128	112	2.16811
-126	112	-0.395748
-124	112	0.833729
-122	112	2.27719
-120	112	0.528853
-118	112	-2.20786
-116	112	0.44391
-114	112	1.01309
-112	112	-2.76708
-110	112	-2.62369
-108	112	0.505051
-106	112	-1.79392
-104	112	-6.73588
-102	112	-0.766012
-100	112	-0.853234
-98	112	-9.57877
-96	112	-2.8652
-94	112	-0.315056
-92	112	-6.8415
-90	112	-6.19343
-88	112	-0.235778
-86	112	-3.38094
-84	112	-10.8497
-82	112	-0.701576
-80	112	-0.946567
-78	112	-8.83082
-76	112	-1.85979
-74	112	0.51407
-72	112	-3.27628
-70	112	-3.38809
-68	112	0.968322
-66	112	0.308748
-64	112	-2.74267
-62	112	0.311879
-60	112	2.14533
-58	112	0.64291
-56	112	-0.522718

-54	112	2.07418
-52	112	3.18027
-50	112	1.96842
-48	112	0.863591
-46	112	2.65598
-44	112	4.15952
-42	112	3.9764
-40	112	2.64126
-38	112	2.11648
-36	112	3.44087
-34	112	4.77095
-32	112	5.19968
-30	112	4.7857
-28	112	3.91427
-26	112	3.21548
-24	112	3.21973
-22	112	3.79991
-20	112	4.50059
-18	112	5.05381
-16	112	5.40239
-14	112	5.58409
-12	112	5.64907
-10	112	5.65405
-8	112	5.63155
-6	112	5.61174
-4	112	5.60727
-2	112	5.61908
0	112	5.64458
2	112	5.6643
4	112	5.65969
6	112	5.59696
8	112	5.44358
10	112	5.17261
12	112	4.77937
14	112	4.34344
16	112	4.03563
18	112	4.08643
20	112	4.52155
22	112	5.06651
24	112	5.33921
26	112	5.05372
28	112	4.15901
30	112	3.14969
32	112	3.17518
34	112	4.19327
36	112	4.8007
38	112	4.18202
40	112	2.44798
42	112	1.70827
44	112	3.16274
46	112	3.88168
48	112	2.55525
50	112	0.312646
52	112	1.40675
54	112	2.81083
56	112	1.50137
58	112	-1.27587
60	112	0.515035
62	112	1.71948
64	112	-0.845081
66	112	-2.80915
68	112	0.51272
70	112	-0.0541177
72	112	-5.1826
74	112	-1.74334
76	112	0.150752
78	112	-4.72167
80	112	-5.32493
82	112	-0.196589
84	112	-2.91637
86	112	-11.4926
88	112	-1.09062
90	112	-1.31099
92	112	-14.145
94	112	-2.6471
96	112	-0.22856
98	112	-6.57887
100	112	-4.97599
102	112	0.23145
104	112	-2.14837
106	112	-6.49268
108	112	-0.0829126
110	112	0.444182
112	112	-3.52358
114	112	-1.18112
116	112	1.63677
118	112	0.338738
120	112	-1.58032
122	112	1.34839
124	112	2.64251
126	112	1.19996
128	112	0.270415
130	112	2.5298
132	112	3.73658
134	112	2.92587
136	112	1.51718
138	112	2.39662
140	112	4.15671
142	112	4.78122
144	112	4.16798

146	112	2.99375
148	112	2.63995
150	112	3.57625
152	112	4.70278
154	112	5.35743
156	112	5.48139
158	112	5.21106
160	112	4.74104
162	112	4.25762
164	112	3.90478
166	112	3.7368
168	112	3.7216
170	112	3.79752
172	112	3.89641
174	112	3.98565
176	112	4.04566
178	112	4.06976
180	112	4.06839
-180	114	4.04746
-178	114	4.16497
-176	114	4.34124
-174	114	4.58671
-172	114	4.89063
-170	114	5.21101
-168	114	5.47094
-166	114	5.58221
-164	114	5.44947
-162	114	5.01519
-160	114	4.32963
-158	114	3.70025
-156	114	3.65034
-154	114	4.29248
-152	114	5.00661
-150	114	5.13988
-148	114	4.37911
-146	114	2.96779
-144	114	2.39207
-142	114	3.5131
-140	114	4.43017
-138	114	3.87926
-136	114	1.89649
-134	114	1.09882
-132	114	2.81338
-130	114	3.36981
-128	114	1.54747
-126	114	-0.50744
-124	114	1.42583
-122	114	2.28776
-120	114	-0.0501202
-118	114	-1.99044
-116	114	0.860428
-114	114	0.84347
-112	114	-3.26808
-110	114	-2.08596
-108	114	0.615212
-106	114	-2.11393
-104	114	-6.4295
-102	114	-0.572261
-100	114	-0.870309
-98	114	-9.61533
-96	114	-2.83221
-94	114	-0.21934
-92	114	-6.27715
-90	114	-6.8007
-88	114	-0.246402
-86	114	-2.69418
-84	114	-12.4464
-82	114	-1.06862
-80	114	-0.441367
-78	114	-7.51086
-76	114	-2.84957
-74	114	0.640709
-72	114	-2.04956
-70	114	-4.50057
-68	114	0.518603
-66	114	0.959367
-64	114	-2.14979
-62	114	-0.70123
-60	114	2.04724
-58	114	1.49223
-56	114	-0.551154
-54	114	1.16147
-52	114	3.12435
-50	114	2.78163
-48	114	1.13494
-46	114	1.66297
-44	114	3.63904
-42	114	4.35944
-40	114	3.59715
-38	114	2.31386
-36	114	2.45626
-34	114	3.89178
-32	114	4.99221
-30	114	5.27261
-28	114	4.8512
-26	114	4.05458
-24	114	3.36455
-22	114	3.20236
-20	114	3.5634
-18	114	4.1426

-16	114	4.68558
-14	114	5.09713
-12	114	5.37265
-10	114	5.54377
-8	114	5.63709
-6	114	5.68447
-4	114	5.7022
-2	114	5.69665
0	114	5.6644
2	114	5.5909
4	114	5.46001
6	114	5.25108
8	114	4.95168
10	114	4.57753
12	114	4.19529
14	114	3.96396
16	114	4.05195
18	114	4.48053
20	114	5.03016
22	114	5.38462
24	114	5.2733
26	114	4.5809
28	114	3.52538
30	114	3.00615
32	114	3.71755
34	114	4.67343
36	114	4.75431
38	114	3.57565
40	114	1.87591
42	114	2.19225
44	114	3.68245
46	114	3.75954
48	114	1.86317
50	114	0.254966
52	114	2.02655
54	114	2.85385
56	114	0.916482
58	114	-1.287
60	114	1.04406
62	114	1.65002
64	114	-1.41978
66	114	-2.34087
68	114	0.775305
70	114	-0.31815
72	114	-5.38859
74	114	-1.35495
76	114	0.15381
78	114	-5.00884
80	114	-5.03614
82	114	-0.11547
84	114	-2.80576
86	114	-11.7245
88	114	-1.15734
90	114	-1.03827
92	114	-12.4384
94	114	-3.18108
96	114	-0.0471327
98	114	-5.18219
100	114	-6.33904
102	114	0.0890728
104	114	-1.22763
106	114	-6.97662
108	114	-0.780697
110	114	0.853315
112	114	-2.43581
114	114	-2.29567
116	114	1.39109
118	114	1.1361
120	114	-1.41229
122	114	0.416952
124	114	2.61332
126	114	2.04632
128	114	0.275486
130	114	1.57406
132	114	3.52361
134	114	3.61945
136	114	2.22702
138	114	1.65534
140	114	3.23565
142	114	4.60858
144	114	4.79262
146	114	3.97505
148	114	2.90506
150	114	2.75786
152	114	3.67367
154	114	4.71204
156	114	5.36505
158	114	5.58214
160	114	5.45851
162	114	5.13807
164	114	4.74858
166	114	4.39222
168	114	4.12871
170	114	3.97314
172	114	3.90237
174	114	3.8916
176	114	3.91736
178	114	3.96854
180	114	4.04746
-180	116	4.71613

-178	116	4.87373
-176	116	5.07637
-174	116	5.30222
-172	116	5.51281
-170	116	5.65258
-168	116	5.65157
-166	116	5.44381
-164	116	4.98765
-162	116	4.32651
-160	116	3.7116
-158	116	3.5898
-156	116	4.13749
-154	116	4.8934
-152	116	5.24286
-150	116	4.82185
-148	116	3.60889
-146	116	2.43999
-144	116	2.88885
-142	116	4.14706
-140	116	4.45728
-138	116	3.22034
-136	116	1.22713
-134	116	1.68676
-132	116	3.31594
-130	116	3.12206
-128	116	0.755055
-126	116	-0.223126
-124	116	1.97533
-122	116	2.12129
-120	116	-0.76367
-118	116	-1.50475
-116	116	1.22292
-114	116	0.540692
-112	116	-3.76228
-110	116	-1.49859
-108	116	0.682804
-106	116	-2.5416
-104	116	-6.01318
-102	116	-0.366687
-100	116	-0.919477
-98	116	-9.72551
-96	116	-2.77065
-94	116	-0.128576
-92	116	-5.76773
-90	116	-7.46268
-88	116	-0.288978
-86	116	-2.07725
-84	116	-13.3983
-82	116	-1.56669
-80	116	-0.0467079
-78	116	-5.87514
-76	116	-4.1253
-74	116	0.574553
-72	116	-0.958191
-70	116	-5.10327
-68	116	-0.24271
-66	116	1.35543
-64	116	-1.08767
-62	116	-1.74932
-60	116	1.58157
-58	116	2.11154
-56	116	0.135545
-54	116	0.161926
-52	116	2.6222
-50	116	3.29364
-48	116	2.01826
-46	116	1.04228
-44	116	2.65479
-42	116	4.19818
-40	116	4.32259
-38	116	3.27117
-36	116	2.22269
-34	116	2.73936
-32	116	4.12476
-30	116	5.0979
-28	116	5.36251
-26	116	5.031
-24	116	4.34772
-22	116	3.65072
-20	116	3.26597
-18	116	3.31327
-16	116	3.6556
-14	116	4.0871
-12	116	4.48075
-10	116	4.78793
-8	116	4.99973
-6	116	5.12889
-4	116	5.18662
-2	116	5.17939
0	116	5.10765
2	116	4.96741
4	116	4.75676
6	116	4.48421
8	116	4.18536
10	116	3.94173
12	116	3.87394
14	116	4.08652
16	116	4.55178
18	116	5.08228
20	116	5.43391

22	116	5.39041
24	116	4.82651
26	116	3.8386
28	116	3.05064
30	116	3.36883
32	116	4.38582
34	116	4.92553
36	116	4.35759
38	116	2.73206
40	116	1.6998
42	116	2.92746
44	116	4.01573
46	116	3.34274
48	116	1.05417
50	116	0.63972
52	116	2.59104
54	116	2.68732
56	116	0.167093
58	116	-0.953911
60	116	1.5245
62	116	1.42864
64	116	-2.07602
66	116	-1.72227
68	116	0.989568
70	116	-0.700331
72	116	-5.47018
74	116	-0.9496
76	116	0.120631
78	116	-5.39225
80	116	-4.69473
82	116	-0.0289171
84	116	-2.72614
86	116	-11.9114
88	116	-1.22654
90	116	-0.788638
92	116	-10.8074
94	116	-3.81956
96	116	0.0697335
98	116	-3.94745
100	116	-7.94764
102	116	-0.211704
104	116	-0.471029
106	116	-6.42506
108	116	-1.77268
110	116	1.03274
112	116	-1.22154
114	116	-3.28098
116	116	0.808274
118	116	1.68371
120	116	-0.587967
122	116	-0.612268
124	116	2.18147
126	116	2.65813
128	116	0.999856
130	116	0.651385
132	116	2.82558
134	116	3.89384
136	116	3.20055
138	116	1.79768
140	116	2.13581
142	116	3.82177
144	116	4.84401
146	116	4.78968
148	116	3.92278
150	116	2.93725
152	116	2.78748
154	116	3.57277
156	116	4.54527
158	116	5.24964
160	116	5.60259
162	116	5.66734
164	116	5.54053
166	116	5.31315
168	116	5.06331
170	116	4.8449
172	116	4.68439
174	116	4.59316
176	116	4.57088
178	116	4.61334
180	116	4.71613
-180	118	5.54891
-178	118	5.62768
-176	118	5.70929
-174	118	5.76063
-172	118	5.73877
-170	118	5.59449
-168	118	5.27723
-166	118	4.76939
-164	118	4.14003
-162	118	3.61418
-160	118	3.56246
-158	118	4.09656
-156	118	4.84198
-154	118	5.27767
-152	118	5.05911
-150	118	4.07462
-148	118	2.74844
-146	118	2.51677
-144	118	3.68599
-142	118	4.54717

-140	118	4.09284
-138	118	2.27102
-136	118	1.02962
-134	118	2.50147
-132	118	3.58488
-130	118	2.55785
-128	118	-0.0350349
-126	118	0.448681
-124	118	2.39162
-122	118	1.72144
-120	118	-1.50802
-118	118	-0.799985
-116	118	1.48647
-114	118	0.0683027
-112	118	-4.11387
-110	118	-0.891901
-108	118	0.687178
-106	118	-3.09534
-104	118	-5.47718
-102	118	-0.15802
-100	118	-1.00765
-98	118	-9.90222
-96	118	-2.68149
-94	118	-0.0431972
-92	118	-5.30827
-90	118	-8.18386
-88	118	-0.366604
-86	118	-1.52868
-84	118	-12.9125
-82	118	-2.22301
-80	118	0.227187
-78	118	-4.28132
-76	118	-5.67384
-74	118	0.27981
-72	118	-0.0773979
-70	118	-4.68473
-68	118	-1.35083
-66	118	1.43895
-64	118	0.0465854
-62	118	-2.31618
-60	118	0.708911
-58	118	2.36186
-56	118	1.15873
-54	118	-0.366495
-52	118	1.66545
-50	118	3.32487
-48	118	2.95443
-46	118	1.39862
-44	118	1.53292
-42	118	3.39866
-40	118	4.47062
-38	118	4.2338
-36	118	3.09213
-34	118	2.23819
-32	118	2.8539
-30	118	4.15526
-28	118	5.1
-26	118	5.44908
-24	118	5.28346
-22	118	4.77578
-20	118	4.14641
-18	118	3.61385
-16	118	3.3304
-14	118	3.31112
-12	118	3.46814
-10	118	3.68932
-8	118	3.8944
-6	118	4.04842
-4	118	4.1345
-2	118	4.14919
0	118	4.09723
2	118	3.99131
4	118	3.86104
6	118	3.75712
8	118	3.7529
10	118	3.92181
12	118	4.2833
14	118	4.77085
16	118	5.24184
18	118	5.51619
20	118	5.44346
22	118	4.91491
24	118	3.9919
26	118	3.13118
28	118	3.18134
30	118	4.11396
32	118	4.89155
34	118	4.77914
36	118	3.55876
38	118	1.9402
40	118	2.16164
42	118	3.65318
44	118	4.03338
46	118	2.58211
48	118	0.417396
50	118	1.3889
52	118	2.98329
54	118	2.24426
56	118	-0.632027
58	118	-0.29296

60	118	1.89077
62	118	1.0094
64	118	-2.69743
66	118	-1.00862
68	118	1.12234
70	118	-1.22877
72	118	-5.33
74	118	-0.544078
76	118	0.0376591
78	118	-5.87855
80	118	-4.30524
82	118	0.0599463
84	118	-2.67898
86	118	-12.0605
88	118	-1.29824
90	118	-0.562299
92	118	-9.33372
94	118	-4.58255
96	118	0.114768
98	118	-2.87415
100	118	-9.58117
102	118	-0.702788
104	118	0.104642
106	118	-5.06035
108	118	-3.08366
110	118	0.940575
112	118	-0.135224
114	118	-3.55643
116	118	-0.150418
118	118	1.88886
120	118	0.493446
122	118	-1.23969
124	118	1.31091
126	118	2.85951
128	118	1.99747
130	118	0.426536
132	118	1.72105
134	118	3.59511
136	118	3.89297
138	118	2.76483
140	118	1.69113
142	118	2.59062
144	118	4.16965
146	118	4.97821
148	118	4.84655
150	118	4.02977
152	118	3.0809
154	118	2.75912
156	118	3.28932
158	118	4.15813
160	118	4.91847
162	118	5.42009
164	118	5.68365
166	118	5.76555
168	118	5.73962
170	118	5.661
172	118	5.57159
174	118	5.50574
176	118	5.4785
178	118	5.49439
180	118	5.54891
-180	120	5.82278
-178	120	5.77761
-176	120	5.68438
-174	120	5.5143
-172	120	5.2349
-170	120	4.8268
-168	120	4.30641
-166	120	3.76959
-164	120	3.45091
-162	120	3.59582
-160	120	4.19156
-158	120	4.89754
-156	120	5.31743
-154	120	5.16723
-152	120	4.3284
-150	120	3.03317
-148	120	2.39436
-146	120	3.27188
-144	120	4.39094
-142	120	4.51517
-140	120	3.26442
-138	120	1.33479
-136	120	1.56645
-134	120	3.24888
-132	120	3.50054
-130	120	1.64903
-128	120	-0.434474
-126	120	1.30517
-124	120	2.58334
-122	120	1.03598
-120	120	-2.0333
-118	120	0.00435026
-116	120	1.60231
-114	120	-0.60917
-112	120	-4.13987
-110	120	-0.305271
-108	120	0.603438
-106	120	-3.79004
-104	120	-4.8308

-102	120	0.0437897
-100	120	-1.14301
-98	120	-10.1313
-96	120	-2.56627
-94	120	0.0362327
-92	120	-4.89456
-90	120	-8.96775
-88	120	-0.482529
-86	120	-1.04753
-84	120	-11.2384
-82	120	-3.07255
-80	120	0.368506
-78	120	-2.87578
-76	120	-7.26115
-74	120	-0.288033
-72	120	0.550197
-70	120	-3.41018
-68	120	-2.75472
-66	120	1.15133
-64	120	0.969603
-62	120	-1.88947
-60	120	-0.51108
-58	120	2.14279
-56	120	2.0455
-54	120	0.0922395
-52	120	0.477672
-50	120	2.76604
-48	120	3.4869
-46	120	2.45031
-44	120	1.16633
-42	120	2.12446
-40	120	3.86582
-38	120	4.60879
-36	120	4.20412
-34	120	3.07751
-32	120	2.27656
-30	120	2.77633
-28	120	3.97164
-26	120	4.95348
-24	120	5.459
-22	120	5.52023
-20	120	5.26026
-18	120	4.81717
-16	120	4.32672
-14	120	3.90299
-12	120	3.61352
-10	120	3.45765
-8	120	3.40774
-6	120	3.41787
-4	120	3.45153
-2	120	3.49347
0	120	3.54499
2	120	3.62225
4	120	3.75876
6	120	3.98584
8	120	4.31518
10	120	4.72399
12	120	5.14526
14	120	5.47234
16	120	5.59894
18	120	5.41208
20	120	4.84346
22	120	3.95179
24	120	3.13149
26	120	3.10333
28	120	3.9491
30	120	4.81146
32	120	4.9695
34	120	4.11744
36	120	2.48768
38	120	1.77205
40	120	3.04883
42	120	4.1158
44	120	3.62364
46	120	1.53045
48	120	0.399182
50	120	2.24132
52	120	3.0945
54	120	1.47798
56	120	-1.17796
58	120	0.543781
60	120	2.0759
62	120	0.348526
64	120	-3.05776
66	120	-0.275573
68	120	1.13849
70	120	-1.92988
72	120	-4.90227
74	120	-0.156049
76	120	-0.110924
78	120	-6.46765
80	120	-3.87444
82	120	0.147349
84	120	-2.66614
86	120	-12.1795
88	120	-1.37248
90	120	-0.35947
92	120	-8.02509
94	120	-5.495
96	120	0.079821

98	120	-1.95615
100	120	-10.5035
102	120	-1.4249
104	120	0.483516
106	120	-3.4571
108	120	-4.62208
110	120	0.526692
112	120	0.68717
114	120	-2.79304
116	120	-1.4404
118	120	1.67519
120	120	1.43063
122	120	-0.90653
124	120	0.111245
126	120	2.53547
128	120	2.76782
130	120	1.18391
132	120	0.694104
134	120	2.66522
136	120	3.97756
138	120	3.75449
140	120	2.46541
142	120	1.74608
144	120	2.8613
146	120	4.32481
148	120	5.06075
150	120	4.9833
152	120	4.29635
154	120	3.38722
156	120	2.81363
158	120	2.93312
160	120	3.55224
162	120	4.27469
164	120	4.87558
166	120	5.29936
168	120	5.57078
170	120	5.72046
172	120	5.79661
174	120	5.83013
176	120	5.84039
178	120	5.83867
180	120	5.82278
-180	122	5.11635
-178	122	4.96769
-176	122	4.73638
-174	122	4.4172
-172	122	4.02859
-170	122	3.63453
-168	122	3.36824
-166	122	3.39719
-164	122	3.80495
-162	122	4.45508
-160	122	5.06787
-158	122	5.37874
-156	122	5.18098
-154	122	4.38305
-152	122	3.155
-150	122	2.37671
-148	122	3.00659
-146	122	4.18726
-144	122	4.66174
-142	122	3.91268
-140	122	2.06752
-138	122	1.07784
-136	122	2.54316
-134	122	3.67775
-132	122	2.96104
-130	122	0.51365
-128	122	-0.0741733
-126	122	2.09377
-124	122	2.46401
-122	122	0.0534819
-120	122	-1.99779
-118	122	0.774368
-116	122	1.51798
-114	122	-1.51184
-112	122	-3.7143
-110	122	0.22177
-108	122	0.402523
-106	122	-4.62572
-104	122	-4.09954
-102	122	0.22771
-100	122	-1.33507
-98	122	-10.3877
-96	122	-2.42746
-94	122	0.109048
-92	122	-4.52292
-90	122	-9.81599
-88	122	-0.640368
-86	122	-0.633354
-84	122	-9.23963
-82	122	-4.16057
-80	122	0.362767
-78	122	-1.70083
-76	122	-8.11493
-74	122	-1.18577
-72	122	0.892872
-70	122	-1.89748
-68	122	-4.09662
-66	122	0.429319

-64	122	1.52867
-62	122	-0.705201
-60	122	-1.68691
-58	122	1.38393
-56	122	2.50086
-54	122	1.19748
-52	122	-0.194918
-50	122	1.62176
-48	122	3.36653
-46	122	3.37202
-44	122	2.02662
-42	122	1.21429
-40	122	2.5555
-38	122	4.11942
-36	122	4.70432
-34	122	4.28789
-32	122	3.23301
-30	122	2.35675
-28	122	2.5437
-26	122	3.54551
-24	122	4.56755
-22	122	5.2586
-20	122	5.58094
-18	122	5.61497
-16	122	5.44901
-14	122	5.17741
-12	122	4.8817
-10	122	4.61251
-8	122	4.40894
-6	122	4.28438
-4	122	4.23928
-2	122	4.26881
0	122	4.37163
2	122	4.53995
4	122	4.77007
6	122	5.04078
8	122	5.31749
10	122	5.54662
12	122	5.65928
14	122	5.57134
16	122	5.21794
18	122	4.56285
20	122	3.69965
22	122	3.02125
24	122	3.10088
26	122	3.92726
28	122	4.78198
30	122	5.04794
32	122	4.42589
34	122	2.95825
36	122	1.75073
38	122	2.49924
40	122	3.87528
42	122	4.10938
44	122	2.71463
46	122	0.558918
48	122	1.13509
50	122	2.92142
52	122	2.82366
54	122	0.408981
56	122	-1.0783
58	122	1.35129
60	122	2.0091
62	122	-0.578869
64	122	-2.90137
66	122	0.398421
68	122	0.998529
70	122	-2.81593
72	122	-4.19862
74	122	0.192743
76	122	-0.342895
78	122	-7.14233
80	122	-3.41171
82	122	0.229035
84	122	-2.68985
86	122	-12.2761
88	122	-1.44955
90	122	-0.180318
92	122	-6.86746
94	122	-6.58785
96	122	-0.0444382
98	122	-1.18694
100	122	-9.85184
102	122	-2.43042
104	122	0.647821
106	122	-1.98465
108	122	-5.91321
110	122	-0.268238
112	122	1.17208
114	122	-1.43766
116	122	-2.72259
118	122	0.972781
120	122	1.98277
122	122	0.191485
124	122	-0.896587
126	122	1.62843
128	122	3.01397
130	122	2.29083
132	122	0.685767
134	122	1.34044

136	122	3.29675
138	122	4.1469
140	122	3.6353
142	122	2.33371
144	122	1.80091
146	122	2.90705
148	122	4.29982
150	122	5.08131
152	122	5.16452
154	122	4.69201
156	122	3.91055
158	122	3.16783
160	122	2.80699
162	122	2.93833
164	122	3.38055
166	122	3.90055
168	122	4.36485
170	122	4.71773
172	122	4.96357
174	122	5.1156
176	122	5.18736
178	122	5.18646
180	122	5.11635
-180	124	3.61619
-178	124	3.49783
-176	124	3.34859
-174	124	3.21873
-172	124	3.19188
-170	124	3.35291
-168	124	3.74119
-166	124	4.29708
-164	124	4.87638
-162	124	5.3054
-160	124	5.41274
-158	124	5.07611
-156	124	4.23034
-154	124	3.06614
-152	124	2.34838
-150	124	2.90223
-148	124	4.05801
-146	124	4.69052
-144	124	4.26438
-142	124	2.7041
-140	124	1.11154
-138	124	1.84827
-136	124	3.41294
-134	124	3.6005
-132	124	1.91225
-130	124	-0.342254
-128	124	0.895783
-126	124	2.6108
-124	124	1.94853
-122	124	-1.10699
-120	124	-1.29513
-118	124	1.3858
-116	124	1.175
-114	124	-2.60121
-112	124	-2.88646
-110	124	0.650069
-108	124	0.0513513
-106	124	-5.55925
-104	124	-3.32123
-102	124	0.382264
-100	124	-1.59521
-98	124	-10.6294
-96	124	-2.26794
-94	124	0.174444
-92	124	-4.19022
-90	124	-10.7248
-88	124	-0.843953
-86	124	-0.286113
-84	124	-7.37084
-82	124	-5.54324
-80	124	0.192036
-78	124	-0.762539
-76	124	-7.39145
-74	124	-2.47848
-72	124	0.91759
-70	124	-0.565737
-68	124	-4.49121
-66	124	-0.778748
-64	124	1.63169
-62	124	0.554889
-60	124	-1.94026
-58	124	0.101548
-56	124	2.36174
-54	124	2.20476
-52	124	0.384104
-50	124	0.30792
-48	124	2.48344
-46	124	3.6356
-44	124	3.19466
-42	124	1.77423
-40	124	1.3257
-38	124	2.75388
-36	124	4.2088
-34	124	4.78734
-32	124	4.48699
-30	124	3.57466
-28	124	2.59966

-26	124	2.31264
-24	124	2.90685
-22	124	3.84811
-20	124	4.67412
-18	124	5.24589
-16	124	5.56538
-14	124	5.69767
-12	124	5.70468
-10	124	5.64377
-8	124	5.56351
-6	124	5.49565
-4	124	5.46226
-2	124	5.46757
0	124	5.51424
2	124	5.58543
4	124	5.66436
6	124	5.71453
8	124	5.69682
10	124	5.55867
12	124	5.24794
14	124	4.72258
16	124	4.00267
18	124	3.25715
20	124	2.87476
22	124	3.21681
24	124	4.06895
26	124	4.84592
28	124	5.08368
30	124	4.54355
32	124	3.21391
34	124	1.85709
36	124	2.1454
38	124	3.5542
40	124	4.24523
42	124	3.49267
44	124	1.4121
46	124	0.415371
48	124	2.18418
50	124	3.22147
52	124	2.08457
54	124	-0.716763
56	124	-0.275189
58	124	1.9592
60	124	1.61822
62	124	-1.70976
64	124	-2.17615
66	124	0.944237
68	124	0.657332
70	124	-3.85105
72	124	-3.30499
74	124	0.479508
76	124	-0.680391
78	124	-7.84865
80	124	-2.9281
82	124	0.30018
84	124	-2.75292
86	124	-12.3558
88	124	-1.52964
90	124	-0.0249602
92	124	-5.84289
94	124	-7.8963
96	124	-0.268897
98	124	-0.561791
100	124	-8.03613
102	124	-3.78298
104	124	0.573014
106	124	-0.784876
108	124	-5.99157
110	124	-1.50534
112	124	1.26519
114	124	-0.103645
116	124	-3.14018
118	124	-0.248721
120	124	2.01492
122	124	1.34492
124	124	-0.814273
126	124	0.266224
128	124	2.57528
130	124	3.03373
132	124	1.75801
134	124	0.593571
136	124	1.92443
138	124	3.66297
140	124	4.23893
142	124	3.62218
144	124	2.36443
146	124	1.79524
148	124	2.7158
150	124	4.06124
152	124	4.96925
154	124	5.2941
156	124	5.11687
158	124	4.59776
160	124	3.92393
162	124	3.31087
164	124	2.92694
166	124	2.82742
168	124	2.94201
170	124	3.15579
172	124	3.37597

174	124	3.54792
176	124	3.64954
178	124	3.66973
180	124	3.61619
-180	126	3.11206
-178	126	3.23026
-176	126	3.42375
-174	126	3.71162
-172	126	4.09287
-170	126	4.53733
-168	126	4.97831
-166	126	5.31973
-164	126	5.45981
-162	126	5.30147
-160	126	4.75749
-158	126	3.8272
-156	126	2.76575
-154	126	2.30019
-152	126	2.95915
-150	126	4.06388
-148	126	4.70333
-146	126	4.42077
-144	126	3.08692
-142	126	1.34793
-140	126	1.38785
-138	126	2.99573
-136	126	3.78182
-134	126	2.886
-132	126	0.515574
-130	126	-0.161526
-128	126	1.94432
-126	126	2.70517
-124	126	0.969021
-122	126	-1.99839
-120	126	-0.220185
-118	126	1.74284
-116	126	0.509282
-114	126	-3.66896
-112	126	-1.84762
-110	126	0.941322
-108	126	-0.488946
-106	126	-6.44807
-104	126	-2.53682
-102	126	0.495314
-100	126	-1.9367
-98	126	-10.7954
-96	126	-2.09113
-94	126	0.231582
-92	126	-3.89375
-90	126	-11.6801
-88	126	-1.09754
-86	126	-0.00642967
-84	126	-5.74555
-82	126	-7.27436
-80	126	-0.16739
-78	126	-0.059004
-76	126	-5.58602
-74	126	-4.20161
-72	126	0.580676
-70	126	0.416051
-68	126	-3.44137
-66	126	-2.40772
-64	126	1.20008
-62	126	1.45165
-60	126	-0.923109
-58	126	-1.32383
-56	126	1.53044
-54	126	2.65312
-52	126	1.63562
-50	126	-0.0131348
-48	126	1.00321
-46	126	3.01283
-44	126	3.75067
-42	126	3.08457
-40	126	1.69671
-38	126	1.35662
-36	126	2.70462
-34	126	4.1319
-32	126	4.82503
-30	126	4.75076
-28	126	4.08568
-26	126	3.14636
-24	126	2.42221
-22	126	2.34323
-20	126	2.86337
-18	126	3.60661
-16	126	4.29123
-14	126	4.82092
-12	126	5.18778
-10	126	5.41968
-8	126	5.55817
-6	126	5.63394
-4	126	5.66568
-2	126	5.66619
0	126	5.63694
2	126	5.56408
4	126	5.43219
6	126	5.21368
8	126	4.87829
10	126	4.40845

12	126	3.81912
14	126	3.20718
16	126	2.81093
18	126	2.91798
20	126	3.55296
22	126	4.38033
24	126	4.98931
26	126	5.08413
28	126	4.49448
30	126	3.22468
32	126	1.89592
34	126	1.97799
36	126	3.31067
38	126	4.22644
40	126	3.90935
42	126	2.21725
44	126	0.387593
46	126	1.33709
48	126	3.01299
50	126	2.98805
52	126	0.858214
54	126	-1.22682
56	126	0.823048
58	126	2.24039
60	126	0.831782
62	126	-2.74936
64	126	-1.12177
66	126	1.29773
68	126	0.0637704
70	126	-4.87124
72	126	-2.33758
74	126	0.681122
76	126	-1.14976
78	126	-8.4663
80	126	-2.43586
82	126	0.355667
84	126	-2.85854
86	126	-12.4224
88	126	-1.61302
90	126	0.106491
92	126	-4.93496
94	126	-9.44831
96	126	-0.606785
98	126	-0.0785044
100	126	-6.01439
102	126	-5.53587
104	126	0.225336
106	126	0.0991999
108	126	-4.63634
110	126	-3.18354
112	126	0.909083
114	126	0.880819
116	126	-2.18633
118	126	-1.81074
120	126	1.43127
122	126	2.07108
124	126	0.347629
126	126	-0.814351
128	126	1.40683
130	126	3.04721
132	126	2.85901
134	126	1.36274
136	126	0.709518
138	126	2.28211
140	126	3.84394
142	126	4.32285
144	126	3.75141
146	126	2.57033
148	126	1.79071
150	126	2.31345
152	126	3.54271
154	126	4.59807
156	126	5.20458
158	126	5.37836
160	126	5.22004
162	126	4.84459
164	126	4.36723
166	126	3.89724
168	126	3.50973
170	126	3.23878
172	126	3.08452
174	126	3.01963
176	126	3.01126
178	126	3.04242
180	126	3.11206
-180	128	4.56787
-178	128	4.71243
-176	128	4.90732
-174	128	5.12665
-172	128	5.33145
-170	128	5.46927
-168	128	5.47969
-166	128	5.29259
-164	128	4.83886
-162	128	4.09274
-160	128	3.13984
-158	128	2.35403
-156	128	2.35474
-154	128	3.21016
-152	128	4.2199

-150	128	4.73739
-148	128	4.44045
-146	128	3.20889
-144	128	1.50511
-142	128	1.16385
-140	128	2.63325
-138	128	3.73832
-136	128	3.41477
-134	128	1.50178
-132	128	-0.423054
-130	128	0.969688
-128	128	2.64682
-126	128	2.25629
-124	128	-0.436075
-122	128	-1.90974
-120	128	0.829881
-118	128	1.76361
-116	128	-0.538603
-114	128	-4.2165
-112	128	-0.807114
-110	128	1.05849
-108	128	-1.26447
-106	128	-6.99222
-104	128	-1.78328
-102	128	0.552225
-100	128	-2.37494
-98	128	-10.8107
-96	128	-1.90083
-94	128	0.279598
-92	128	-3.63115
-90	128	-12.6477
-88	128	-1.40591
-86	128	0.20471
-84	128	-4.36336
-82	128	-9.32131
-80	128	-0.7465
-78	128	0.408555
-76	128	-3.66312
-74	128	-6.16203
-72	128	-0.178809
-70	128	0.986201
-68	128	-1.7567
-66	128	-3.89168
-64	128	0.156965
-62	128	1.79063
-60	128	0.499909
-58	128	-1.75746
-56	128	0.0488499
-54	128	2.32867
-52	128	2.56852
-50	128	1.09616
-48	128	-0.0233173
-46	128	1.53012
-44	128	3.30099
-42	128	3.82179
-40	128	3.11352
-38	128	1.77734
-36	128	1.28557
-34	128	2.39619
-32	128	3.82832
-30	128	4.71812
-28	128	4.95994
-26	128	4.65019
-24	128	3.97066
-22	128	3.15924
-20	128	2.51953
-18	128	2.28154
-16	128	2.45308
-14	128	2.85927
-12	128	3.31469
-10	128	3.71574
-8	128	4.02291
-6	128	4.22664
-4	128	4.33254
-2	128	4.34641
0	128	4.27031
2	128	4.1006
4	128	3.84028
6	128	3.50022
8	128	3.1191
10	128	2.78707
12	128	2.65442
14	128	2.8642
16	128	3.42165
18	128	4.15201
20	128	4.79884
22	128	5.13185
24	128	4.98702
26	128	4.2455
28	128	2.97571
30	128	1.79644
32	128	1.95166
34	128	3.22505
36	128	4.19037
38	128	4.09953
40	128	2.73689
42	128	0.717611
44	128	0.719927
46	128	2.5369
48	128	3.28865

50	128	2.10679
52	128	-0.586204
54	128	-0.575878
56	128	1.76416
58	128	2.08672
60	128	-0.393695
62	128	-3.07381
64	128	-0.0506176
66	128	1.39888
68	128	-0.840222
70	128	-5.48666
72	128	-1.39969
74	128	0.773124
76	128	-1.78235
78	128	-8.79506
80	128	-1.94667
82	128	0.390034
84	128	-3.01046
86	128	-12.4768
88	128	-1.69996
90	128	0.213976
92	128	-4.12981
94	128	-11.2156
96	128	-1.07456
98	128	0.262488
100	128	-4.21543
102	128	-7.59981
104	128	-0.442112
106	128	0.651947
108	128	-2.8031
110	128	-4.95506
112	128	0.0301014
114	128	1.38133
116	128	-0.637867
118	128	-2.8658
120	128	0.174827
122	128	2.14263
124	128	1.59384
126	128	-0.44624
128	128	-0.154288
130	128	2.17528
132	128	3.24488
134	128	2.67778
136	128	1.16343
138	128	0.805971
140	128	2.38826
142	128	3.87361
144	128	4.4069
146	128	4.01357
148	128	2.98698
150	128	1.9755
152	128	1.86747
154	128	2.72457
156	128	3.81878
158	128	4.67645
160	128	5.20249
162	128	5.42948
164	128	5.43632
166	128	5.30288
168	128	5.09473
170	128	4.87317
172	128	4.68158
174	128	4.54462
176	128	4.47773
178	128	4.48612
180	128	4.56787
-180	130	5.52999
-178	130	5.53057
-176	130	5.50709
-174	130	5.43041
-172	130	5.263
-170	130	4.96207
-168	130	4.48762
-166	130	3.82339
-164	130	3.02616
-162	130	2.3348
-160	130	2.16303
-158	130	2.72602
-156	130	3.68017
-154	130	4.48302
-152	130	4.76378
-150	130	4.3148
-148	130	3.07052
-146	130	1.46173
-144	130	1.08225
-142	130	2.43524
-140	130	3.64903
-138	130	3.65604
-136	130	2.18681
-134	130	-0.0753927
-132	130	0.140253
-130	130	2.16352
-128	130	2.75948
-126	130	1.16568
-124	130	-1.82071
-122	130	-0.809707
-120	130	1.58073
-118	130	1.36428
-116	130	-1.97507
-114	130	-3.75872

-112	130	0.0865668
-110	130	0.95706
-108	130	-2.32661
-106	130	-6.83991
-104	130	-1.09192
-102	130	0.538362
-100	130	-2.92972
-98	130	-10.6057
-96	130	-1.70103
-94	130	0.317636
-92	130	-3.40034
-90	130	-13.5611
-88	130	-1.77439
-86	130	0.345736
-84	130	-3.19897
-82	130	-11.2119
-80	130	-1.58883
-78	130	0.634386
-76	130	-2.03426
-74	130	-7.35995
-72	130	-1.44206
-70	130	1.10275
-68	130	-0.256988
-66	130	-3.91371
-64	130	-1.50806
-62	130	1.461
-60	130	1.53991
-58	130	-0.6266
-56	130	-1.44449
-54	130	1.13841
-52	130	2.69135
-50	130	2.36326
-48	130	0.73938
-46	130	0.0953425
-44	130	1.79843
-42	130	3.41526
-40	130	3.90189
-38	130	3.29999
-36	130	2.04717
-34	130	1.23177
-32	130	1.85243
-30	130	3.199
-28	130	4.30989
-26	130	4.9107
-24	130	5.02974
-22	130	4.77106
-20	130	4.26451
-18	130	3.64621
-16	130	3.06263
-14	130	2.6251
-12	130	2.37887
-10	130	2.30112
-8	130	2.32784
-6	130	2.39337
-4	130	2.45152
-2	130	2.47964
0	130	2.47656
2	130	2.4597
4	130	2.4704
6	130	2.56465
8	130	2.79905
10	130	3.20071
12	130	3.73938
14	130	4.32555
16	130	4.83081
18	130	5.13073
20	130	5.10619
22	130	4.64602
24	130	3.71001
26	130	2.45838
28	130	1.61692
30	130	2.0829
32	130	3.32694
34	130	4.2088
36	130	4.15663
38	130	2.97102
40	130	1.00885
42	130	0.408854
44	130	2.0568
46	130	3.26039
48	130	2.81163
50	130	0.578671
52	130	-1.2584
54	130	0.722987
56	130	2.27581
58	130	1.39846
60	130	-1.92906
62	130	-2.30248
64	130	0.819363
66	130	1.18623
68	130	-2.1027
70	130	-5.24051
72	130	-0.564679
74	130	0.728722
76	130	-2.61642
78	130	-8.62743
80	130	-1.47354
82	130	0.397511
84	130	-3.21309
86	130	-12.517

88	130	-1.79062
90	130	0.297509
92	130	-3.41627
94	130	-12.9464
96	130	-1.69318
98	130	0.457965
100	130	-2.72863
102	130	-9.23943
104	130	-1.49548
106	130	0.857446
108	130	-1.18515
110	130	-5.5971
112	130	-1.44585
114	130	1.32271
116	130	0.671831
118	130	-2.25905
120	130	-1.56746
122	130	1.43368
124	130	2.25673
126	130	0.958645
128	130	-0.760552
130	130	0.534557
132	130	2.61785
134	130	3.32675
136	130	2.60444
138	130	1.13595
140	130	0.783153
142	130	2.22854
144	130	3.72332
146	130	4.43653
148	130	4.33498
150	130	3.5954
152	130	2.56351
154	130	1.82388
156	130	1.88952
158	130	2.62105
160	130	3.52343
162	130	4.28881
164	130	4.84115
166	130	5.19642
168	130	5.3936
170	130	5.48719
172	130	5.51975
174	130	5.52374
176	130	5.52109
178	130	5.52297
180	130	5.52999
-180	132	4.6389
-178	132	4.49686
-176	132	4.26305
-174	132	3.92433
-172	132	3.4757
-170	132	2.94026
-168	132	2.40464
-166	132	2.05267
-164	132	2.11397
-162	132	2.66359
-160	132	3.4949
-158	132	4.27516
-156	132	4.73017
-154	132	4.67402
-152	132	3.97246
-150	132	2.64269
-148	132	1.21202
-146	132	1.10639
-144	132	2.44494
-142	132	3.6192
-140	132	3.74234
-138	132	2.54619
-136	132	0.347431
-134	132	-0.324922
-132	132	1.57533
-130	132	2.79644
-128	132	2.12238
-126	132	-0.51991
-124	132	-2.04385
-122	132	0.540598
-120	132	1.87908
-118	132	0.452945
-116	132	-3.54925
-114	132	-2.50241
-112	132	0.742321
-110	132	0.587114
-108	132	-3.71688
-106	132	-5.93762
-104	132	-0.488329
-102	132	0.437808
-100	132	-3.62541
-98	132	-10.1465
-96	132	-1.49577
-94	132	0.344883
-92	132	-3.19949
-90	132	-14.3109
-88	132	-2.20916
-86	132	0.414593
-84	132	-2.2267
-82	132	-11.5704
-80	132	-2.75536
-78	132	0.604403
-76	132	-0.785501

-74	132	-6.47036
-72	132	-3.28215
-70	132	0.713957
-68	132	0.753013
-66	132	-2.34094
-64	132	-3.35278
-62	132	0.36674
-60	132	1.87834
-58	132	0.888398
-56	132	-1.37408
-54	132	-0.663591
-52	132	1.80623
-50	132	2.83235
-48	132	2.20229
-46	132	0.589
-44	132	0.146344
-42	132	1.79097
-40	132	3.36935
-38	132	3.97421
-36	132	3.61102
-34	132	2.55673
-32	132	1.45184
-30	132	1.28953
-28	132	2.21766
-26	132	3.41546
-24	132	4.34171
-22	132	4.89043
-20	132	5.10089
-18	132	5.0516
-16	132	4.83095
-14	132	4.51626
-12	132	4.17468
-10	132	3.86286
-8	132	3.61532
-6	132	3.44904
-4	132	3.36858
-2	132	3.37275
0	132	3.45959
2	132	3.62611
4	132	3.86813
6	132	4.1712
8	132	4.50653
10	132	4.82886
12	132	5.07813
14	132	5.18346
16	132	5.06276
18	132	4.64256
20	132	3.87347
22	132	2.80254
24	132	1.78837
26	132	1.58467
28	132	2.45333
30	132	3.60811
32	132	4.28105
34	132	4.11201
36	132	2.9446
38	132	1.07811
40	132	0.286087
42	132	1.73049
44	132	3.12679
46	132	3.13949
48	132	1.47237
50	132	-1.01613
52	132	-0.349283
54	132	1.84071
56	132	2.1924
58	132	0.0896973
60	132	-3.09512
62	132	-0.934302
64	132	1.35612
66	132	0.588716
68	132	-3.6898
70	132	-4.15594
72	132	0.112904
74	132	0.518353
76	132	-3.69694
78	132	-7.91266
80	132	-1.029
82	132	0.372496
84	132	-3.47159
86	132	-12.538
88	132	-1.88501
90	132	0.357197
92	132	-2.78534
94	132	-13.8813
96	132	-2.49026
98	132	0.501885
100	132	-1.54562
102	132	-8.91453
104	132	-3.02327
106	132	0.688103
108	132	0.00167533
110	132	-4.28592
112	132	-3.45396
114	132	0.625256
116	132	1.4039
118	132	-0.610338
120	132	-2.70343
122	132	-0.100513
124	132	2.06384

126	132	2.08991
128	132	0.423756
130	132	-0.729562
132	132	0.982193
134	132	2.83168
136	132	3.38926
138	132	2.68725
140	132	1.2839
142	132	0.669242
144	132	1.78556
146	132	3.31209
148	132	4.28064
150	132	4.56054
152	132	4.24247
154	132	3.50515
156	132	2.60411
158	132	1.9068
160	132	1.7192
162	132	2.04103
164	132	2.62307
166	132	3.23122
168	132	3.7472
170	132	4.14142
172	132	4.41872
174	132	4.59504
176	132	4.6855
178	132	4.69952
180	132	4.6389
-180	134	2.24387
-178	134	2.13529
-176	134	1.99594
-174	134	1.88128
-172	134	1.8724
-170	134	2.05591
-168	134	2.4756
-166	134	3.08873
-164	134	3.77082
-162	134	4.36551
-160	134	4.72895
-158	134	4.7337
-156	134	4.26831
-154	134	3.27928
-152	134	1.90103
-150	134	0.888298
-148	134	1.31952
-146	134	2.67506
-144	134	3.68181
-142	134	3.73868
-140	134	2.63047
-138	134	0.557922
-136	134	-0.509524
-134	134	1.10515
-132	134	2.63766
-130	134	2.58177
-128	134	0.635992
-126	134	-2.06947
-124	134	-0.776119
-122	134	1.53266
-120	134	1.6121
-118	134	-1.04854
-116	134	-4.35724
-114	134	-1.07573
-112	134	1.10052
-110	134	-0.113745
-108	134	-5.38953
-106	134	-4.60943
-104	134	0.00613542
-102	134	0.23265
-100	134	-4.49227
-98	134	-9.45351
-96	134	-1.28911
-94	134	0.360574
-92	134	-3.02694
-90	134	-14.7603
-88	134	-2.71737
-86	134	0.408552
-84	134	-1.42586
-82	134	-9.89387
-80	134	-4.32897
-78	134	0.294106
-76	134	0.0842088
-74	134	-4.35011
-72	134	-5.53454
-70	134	-0.260457
-68	134	1.18572
-66	134	-0.554249
-64	134	-3.78299
-62	134	-1.49741
-60	134	1.36835
-58	134	1.81181
-56	134	0.192984
-54	134	-1.59226
-52	134	-0.0180629
-50	134	2.16078
-48	134	2.89278
-46	134	2.17801
-44	134	0.629641
-42	134	0.0716039
-40	134	1.49425
-38	134	3.10937

-36	134	3.94932
-34	134	3.94566
-32	134	3.24909
-30	134	2.17092
-28	134	1.29651
-26	134	1.26108
-24	134	2.02533
-22	134	3.02746
-20	134	3.88836
-18	134	4.50431
-16	134	4.89049
-14	134	5.09273
-12	134	5.1664
-10	134	5.16386
-8	134	5.12565
-6	134	5.08255
-4	134	5.05519
-2	134	5.05434
0	134	5.08107
2	134	5.12685
4	134	5.17447
6	134	5.19709
8	134	5.15869
10	134	5.0151
12	134	4.71652
14	134	4.21445
16	134	3.47917
18	134	2.56227
20	134	1.71591
22	134	1.44009
24	134	2.0349
26	134	3.09468
28	134	3.99198
30	134	4.33325
32	134	3.91279
34	134	2.64462
36	134	0.877289
38	134	0.24591
40	134	1.62548
42	134	3.0334
44	134	3.26198
46	134	1.98678
48	134	-0.473871
50	134	-1.05262
52	134	1.16114
54	134	2.34252
56	134	1.38261
58	134	-1.74728
60	134	-2.76364
62	134	0.355322
64	134	1.47027
66	134	-0.48244
68	134	-5.23184
70	134	-2.72506
72	134	0.593883
74	134	0.105069
76	134	-5.068
78	134	-6.81105
80	134	-0.624198
82	134	0.30906
84	134	-3.79208
86	134	-12.5322
88	134	-1.98303
90	134	0.393224
92	134	-2.2298
94	134	-13.2382
96	134	-3.50294
98	134	0.384437
100	134	-0.641625
102	134	-6.85939
104	134	-5.10269
106	134	0.094816
108	134	0.713229
110	134	-2.2708
112	134	-5.15666
114	134	-0.807658
116	134	1.43269
118	134	0.817961
120	134	-1.81471
122	134	-2.01253
124	134	0.883923
126	134	2.32548
128	134	1.86916
130	134	0.111998
132	134	-0.637993
134	134	1.13765
136	134	2.87003
138	134	3.45656
140	134	2.92821
142	134	1.65594
144	134	0.650939
146	134	1.12199
148	134	2.51996
150	134	3.74823
152	134	4.44887
154	134	4.62732
156	134	4.38192
158	134	3.84106
160	134	3.14797
162	134	2.47225

164	134	1.96829
166	134	1.71796
168	134	1.7007
170	134	1.82798
172	134	2.00454
174	134	2.16226
176	134	2.26305
178	134	2.29063
180	134	2.24387
-180	136	2.48659
-178	136	2.64306
-176	136	2.8841
-174	136	3.20625
-172	136	3.59154
-170	136	4.00309
-168	136	4.38613
-166	136	4.67289
-164	136	4.78656
-162	136	4.64355
-160	136	4.17058
-158	136	3.3144
-156	136	2.12687
-154	136	1.02108
-152	136	0.853993
-150	136	1.85104
-148	136	3.09027
-146	136	3.79656
-144	136	3.63383
-142	136	2.45098
-140	136	0.468452
-138	136	-0.584779
-136	136	0.862716
-134	136	2.4763
-132	136	2.75678
-130	136	1.34697
-128	136	-1.42228
-126	136	-1.79828
-124	136	0.769973
-122	136	1.90149
-120	136	0.660765
-118	136	-3.02722
-116	136	-3.51029
-114	136	0.106868
-112	136	1.10421
-110	136	-1.22651
-108	136	-6.95158
-106	136	-3.21534
-104	136	0.374955
-102	136	-0.0981412
-100	136	-5.56797
-98	136	-8.59086
-96	136	-1.08498
-94	136	0.364055
-92	136	-2.88113
-90	136	-14.8054
-88	136	-3.30755
-86	136	0.324328
-84	136	-0.781012
-82	136	-7.58951
-80	136	-6.40137
-78	136	-0.336052
-76	136	0.586488
-74	136	-2.33194
-72	136	-6.92315
-70	136	-1.92882
-68	136	0.983541
-66	136	0.694177
-64	136	-2.16568
-62	136	-3.44351
-60	136	-0.0976308
-58	136	1.80766
-56	136	1.56603
-54	136	-0.316645
-52	136	-1.54004
-50	136	0.324791
-48	136	2.29155
-46	136	2.9424
-44	136	2.32237
-42	136	0.879981
-40	136	-0.0260272
-38	136	0.905146
-36	136	2.52641
-34	136	3.66618
-32	136	4.10193
-30	136	3.90253
-28	136	3.21814
-26	136	2.2767
-24	136	1.43994
-22	136	1.09945
-20	136	1.36737
-18	136	2.00124
-16	136	2.70896
-14	136	3.32785
-12	136	3.81067
-10	136	4.16139
-8	136	4.40042
-6	136	4.54984
-4	136	4.6271
-2	136	4.64241
0	136	4.59779

2	136	4.48676
4	136	4.29602
6	136	4.00636
8	136	3.59778
10	136	3.05995
12	136	2.41644
14	136	1.76992
16	136	1.34812
18	136	1.43215
20	136	2.07971
22	136	3.0077
24	136	3.83683
26	136	4.29449
28	136	4.20463
30	136	3.44153
32	136	2.01166
34	136	0.453797
36	136	0.31971
38	136	1.76405
40	136	3.0512
42	136	3.28302
44	136	2.18957
46	136	-0.0980513
48	136	-1.35096
50	136	0.531544
52	136	2.17619
54	136	2.0177
56	136	-0.254623
58	136	-3.21357
60	136	-1.20915
62	136	1.21701
64	136	1.07771
66	136	-2.11238
68	136	-5.69569
70	136	-1.36535
72	136	0.845082
74	136	-0.559342
76	136	-6.73186
78	136	-5.55224
80	136	-0.269462
82	136	0.199678
84	136	-4.18197
86	136	-12.4898
88	136	-2.08432
90	136	0.405974
92	136	-1.74367
94	136	-11.4894
96	136	-4.78204
98	136	0.0901719
100	136	0.00356244
102	136	-4.60778
104	136	-7.53025
106	136	-1.00261
108	136	0.933031
110	136	-0.588772
112	136	-4.69135
114	136	-2.96169
116	136	0.659195
118	136	1.5167
120	136	-0.00891483
122	136	-2.4464
124	136	-1.15257
126	136	1.43696
128	136	2.4139
130	136	1.74413
132	136	0.0275857
134	136	-0.642837
136	136	0.992461
138	136	2.71608
140	136	3.48442
142	136	3.26286
144	136	2.27421
146	136	1.046
148	136	0.584126
150	136	1.37164
152	136	2.63912
154	136	3.69918
156	136	4.36725
158	136	4.66391
160	136	4.65713
162	136	4.43715
164	136	4.08578
166	136	3.6761
168	136	3.27532
170	136	2.93111
172	136	2.66963
174	136	2.49853
176	136	2.41431
178	136	2.41107
180	136	2.48659
-180	138	4.54771
-178	138	4.60978
-176	138	4.68702
-174	138	4.75566
-172	138	4.78335
-170	138	4.7295
-168	138	4.54641
-166	138	4.18191
-164	138	3.58712
-162	138	2.7366

-160	138	1.71734
-158	138	0.856307
-156	138	0.729628
-154	138	1.52606
-152	138	2.67684
-150	138	3.56008
-148	138	3.83687
-146	138	3.33096
-144	138	1.9606
-142	138	0.0739922
-140	138	-0.6011
-138	138	0.884573
-136	138	2.42443
-134	138	2.7983
-132	138	1.68573
-130	138	-0.8438
-128	138	-2.27667
-126	138	-0.0472706
-124	138	1.73109
-122	138	1.49646
-120	138	-1.08798
-118	138	-4.47423
-116	138	-1.766
-114	138	0.874389
-112	138	0.687101
-110	138	-2.84999
-108	138	-7.3679
-106	138	-1.95928
-104	138	0.597352
-102	138	-0.580253
-100	138	-6.89582
-98	138	-7.63573
-96	138	-0.887149
-94	138	0.354677
-92	138	-2.76068
-90	138	-14.4458
-88	138	-3.99004
-86	138	0.157768
-84	138	-0.281211
-82	138	-5.51253
-80	138	-8.91896
-78	138	-1.34787
-76	138	0.717359
-74	138	-0.810166
-72	138	-5.7011
-70	138	-4.30609
-68	138	0.059026
-66	138	1.21521
-64	138	-0.263097
-62	138	-3.31574
-60	138	-2.35233
-58	138	0.715094
-56	138	1.95835
-54	138	1.34731
-52	138	-0.566525
-50	138	-1.48653
-48	138	0.341083
-46	138	2.22634
-44	138	2.97837
-42	138	2.60295
-40	138	1.38722
-38	138	0.124784
-36	138	0.184034
-34	138	1.51394
-32	138	2.90091
-30	138	3.79852
-28	138	4.15404
-26	138	4.0464
-24	138	3.58728
-22	138	2.90245
-20	138	2.15451
-18	138	1.52003
-16	138	1.13793
-14	138	1.04299
-12	138	1.16506
-10	138	1.39219
-8	138	1.63065
-6	138	1.82283
-4	138	1.9397
-2	138	1.96958
0	138	1.91116
2	138	1.77112
4	138	1.571
6	138	1.35325
8	138	1.19191
10	138	1.18945
12	138	1.43962
14	138	1.96206
16	138	2.66862
18	138	3.39902
20	138	3.99081
22	138	4.30554
24	138	4.22424
26	138	3.64456
28	138	2.5212
30	138	1.02927
32	138	0.0503051
34	138	0.674038
36	138	2.14191
38	138	3.17078

40	138	3.23155
42	138	2.12401
44	138	-0.0405616
46	138	-1.45657
48	138	0.122844
50	138	1.94288
52	138	2.26035
54	138	0.705651
56	138	-2.4455
58	138	-2.62531
60	138	0.344101
62	138	1.49712
64	138	0.0694901
66	138	-4.22685
68	138	-4.49998
70	138	-0.275014
72	138	0.831849
74	138	-1.53814
76	138	-8.48549
78	138	-4.30591
80	138	0.0255709
82	138	0.037038
84	138	-4.65032
86	138	-12.4002
88	138	-2.18835
90	138	0.395884
92	138	-1.32206
94	138	-9.53456
96	138	-6.39555
98	138	-0.402176
100	138	0.401449
102	138	-2.74895
104	138	-8.81662
106	138	-2.72128
108	138	0.626119
110	138	0.494094
112	138	-2.58703
114	138	-4.93261
116	138	-1.03095
118	138	1.32105
120	138	1.26266
122	138	-0.74811
124	138	-2.53848
126	138	-0.579748
128	138	1.68639
130	138	2.4529
132	138	1.78142
134	138	0.165882
136	138	-0.729842
138	138	0.529423
140	138	2.2918
142	138	3.34372
144	138	3.54465
146	138	3.01006
148	138	1.97357
150	138	0.906048
152	138	0.514908
154	138	1.08099
156	138	2.11056
158	138	3.0935
160	138	3.83921
162	138	4.33231
164	138	4.61314
166	138	4.73007
168	138	4.74158
170	138	4.69352
172	138	4.62312
174	138	4.55863
176	138	4.51916
178	138	4.51496
180	138	4.54771
-180	140	4.22945
-178	140	4.13242
-176	140	3.96325
-174	140	3.70317
-172	140	3.3299
-170	140	2.82422
-168	140	2.1848
-166	140	1.46237
-164	140	0.818328
-162	140	0.544502
-160	140	0.885249
-158	140	1.73564
-156	140	2.72024
-154	140	3.49105
-152	140	3.82688
-150	140	3.58487
-148	140	2.65833
-146	140	1.07562
-144	140	-0.50631
-142	140	-0.42198
-140	140	1.18226
-138	140	2.50941
-136	140	2.77658
-134	140	1.73531
-132	140	-0.6012
-130	140	-2.41699
-128	140	-0.66597
-126	140	1.40918
-124	140	1.8092

-122	140	0.163936
-120	140	-3.44824
-118	140	-3.68701
-116	140	-0.195856
-114	140	1.14737
-112	140	-0.242027
-110	140	-5.02491
-108	140	-6.10618
-106	140	-0.927253
-104	140	0.653434
-102	140	-1.24506
-100	140	-8.50877
-98	140	-6.65495
-96	140	-0.698021
-94	140	0.331993
-92	140	-2.66411
-90	140	-13.786
-88	140	-4.77778
-86	140	-0.0963446
-84	140	0.0816901
-82	140	-3.81778
-80	140	-10.89
-78	140	-2.83571
-76	140	0.455143
-74	140	0.179845
-72	140	-3.3194
-70	140	-6.48014
-68	140	-1.72002
-66	140	0.93172
-64	140	0.932224
-62	140	-1.27089
-60	140	-3.6526
-58	140	-1.4858
-56	140	1.12043
-54	140	1.99829
-52	140	1.27015
-50	140	-0.55498
-48	140	-1.52985
-46	140	0.0197852
-44	140	1.92216
-42	140	2.91185
-40	140	2.91786
-38	140	2.09878
-36	140	0.819915
-34	140	-0.0848526
-32	140	0.266906
-30	140	1.48559
-28	140	2.71198
-26	140	3.58658
-24	140	4.0704
-22	140	4.21767
-20	140	4.10867
-18	140	3.81753
-16	140	3.42045
-14	140	2.98595
-12	140	2.57359
-10	140	2.2231
-8	140	1.95749
-6	140	1.78205
-4	140	1.69172
-2	140	1.67992
0	140	1.74442
2	140	1.88742
4	140	2.11605
6	140	2.43105
8	140	2.82034
10	140	3.25392
12	140	3.68364
14	140	4.04737
16	140	4.27705
18	140	4.29594
20	140	4.02838
22	140	3.40184
24	140	2.38128
26	140	1.07808
28	140	0.0532937
30	140	0.210032
32	140	1.43125
34	140	2.67728
36	140	3.30346
38	140	3.04507
40	140	1.77057
42	140	-0.335731
44	140	-1.52217
46	140	0.000396578
48	140	1.80133
50	140	2.31969
52	140	1.20071
54	140	-1.59336
56	140	-3.34818
58	140	-0.717937
60	140	1.28957
62	140	1.09003
64	140	-1.68925
66	140	-5.89549
68	140	-2.6371
70	140	0.466259
72	140	0.511717
74	140	-2.91859
76	140	-9.55195

78	140	-3.16089
80	140	0.251711
82	140	-0.186898
84	140	-5.2077
86	140	-12.2535
88	140	-2.29437
90	140	0.363634
92	140	-0.960811
94	140	-7.76103
96	140	-8.41846
98	140	-1.12329
100	140	0.554165
102	140	-1.34402
104	140	-7.2766
106	140	-5.16105
108	140	-0.280868
110	140	0.935162
112	140	-0.655732
114	140	-4.35254
116	140	-3.50948
118	140	0.100364
120	140	1.54833
122	140	0.942401
124	140	-1.2134
126	140	-2.45482
128	140	-0.375936
130	140	1.71343
132	140	2.48103
134	140	1.98226
136	140	0.560401
138	140	-0.708631
140	140	-0.190773
142	140	1.46599
144	140	2.83693
146	140	3.52529
148	140	3.55978
150	140	3.05446
152	140	2.18047
154	140	1.21291
156	140	0.544901
158	140	0.491723
160	140	0.985858
162	140	1.713
164	140	2.42922
166	140	3.02577
168	140	3.48232
170	140	3.81005
172	140	4.03284
174	140	4.17308
176	140	4.24735
178	140	4.26543
180	140	4.22945
-180	142	1.22238
-178	142	1.08381
-176	142	0.882266
-174	142	0.654778
-172	142	0.467645
-170	142	0.416608
-168	142	0.601245
-166	142	1.06437
-164	142	1.74695
-162	142	2.50966
-160	142	3.19489
-158	142	3.66699
-156	142	3.8127
-154	142	3.53063
-152	142	2.73719
-150	142	1.41205
-148	142	-0.145726
-146	142	-0.831041
-144	142	0.17345
-142	142	1.71693
-140	142	2.67947
-138	142	2.66914
-136	142	1.51286
-134	142	-0.751174
-132	142	-2.49654
-130	142	-0.970466
-128	142	1.1481
-126	142	1.87077
-124	142	0.821874
-122	142	-2.19429
-120	142	-4.65642
-118	142	-1.61641
-116	142	0.800781
-114	142	0.850131
-112	142	-1.81734
-110	142	-7.26078
-108	142	-4.15657
-106	142	-0.150284
-104	142	0.519746
-102	142	-2.13869
-100	142	-10.3543
-98	142	-5.69574
-96	142	-0.521866
-94	142	0.295572
-92	142	-2.59009
-90	142	-12.9636
-88	142	-5.68697
-86	142	-0.444473

-84	142	0.310927
-82	142	-2.47716
-80	142	-10.1264
-78	142	-4.93732
-76	142	-0.248728
-74	142	0.656148
-72	142	-1.32867
-70	142	-5.84181
-68	142	-4.36868
-66	142	-0.273586
-64	142	1.20434
-62	142	0.481061
-60	142	-2.02239
-58	142	-3.5486
-56	142	-1.04494
-54	142	1.25232
-52	142	2.0136
-50	142	1.37787
-48	142	-0.273868
-46	142	-1.5673
-44	142	-0.625501
-42	142	1.2632
-40	142	2.58042
-38	142	3.06339
-36	142	2.79382
-34	142	1.93113
-32	142	0.775825
-30	142	-0.0894193
-28	142	-0.0516414
-26	142	0.788065
-24	142	1.85629
-22	142	2.78016
-20	142	3.45703
-18	142	3.89889
-16	142	4.14629
-14	142	4.2495
-12	142	4.25888
-10	142	4.21488
-8	142	4.14958
-6	142	4.08821
-4	142	4.04968
-2	142	4.04369
0	142	4.07236
2	142	4.12829
4	142	4.20058
6	142	4.26864
8	142	4.30421
10	142	4.27031
12	142	4.12467
14	142	3.82023
16	142	3.30755
18	142	2.54537
20	142	1.54845
22	142	0.494417
24	142	-0.140028
26	142	0.175284
28	142	1.25679
30	142	2.41411
32	142	3.16221
34	142	3.26348
36	142	2.57842
38	142	1.03821
40	142	-0.947901
42	142	-1.48743
44	142	0.185571
46	142	1.82183
48	142	2.31147
50	142	1.36757
52	142	-1.11342
54	142	-3.4938
56	142	-1.61707
58	142	0.827639
60	142	1.43051
62	142	-0.147427
64	142	-4.19174
66	142	-5.2324
68	142	-0.993877
70	142	0.819368
72	142	-0.180006
74	142	-4.81317
76	142	-8.93765
78	142	-2.16157
80	142	0.399853
82	142	-0.481317
84	142	-5.86907
86	142	-12.0419
88	142	-2.40136
90	142	0.310058
92	142	-0.656276
94	142	-6.24281
96	142	-10.8356
98	142	-2.11797
100	142	0.454154
102	142	-0.357643
104	142	-4.7191
106	142	-7.84709
108	142	-1.92102
110	142	0.701523
112	142	0.541702
114	142	-2.02943

116	142	-4.97208
118	142	-2.2326
120	142	0.679071
122	142	1.58582
124	142	0.737654
126	142	-1.36642
128	142	-2.44558
130	142	-0.539892
132	142	1.51463
134	142	2.45229
136	142	2.28123
138	142	1.20564
140	142	-0.242081
142	142	-0.801049
144	142	0.211472
146	142	1.72272
148	142	2.88307
150	142	3.51356
152	142	3.65664
154	142	3.40127
156	142	2.85244
158	142	2.13086
160	142	1.38626
162	142	0.780088
164	142	0.430524
166	142	0.355713
168	142	0.484066
170	142	0.709439
172	142	0.943383
174	142	1.13147
176	142	1.24708
178	142	1.27814
180	142	1.22238
-180	144	1.28094
-178	144	1.41857
-176	144	1.6399
-174	144	1.94212
-172	144	2.31125
-170	144	2.71979
-168	144	3.12798
-166	144	3.48385
-164	144	3.72594
-162	144	3.79283
-160	144	3.6134
-158	144	3.11868
-156	144	2.25394
-154	144	1.02553
-152	144	-0.305091
-150	144	-0.939245
-148	144	-0.217937
-146	144	1.18824
-144	144	2.33151
-142	144	2.7858
-140	144	2.36342
-138	144	0.947694
-136	144	-1.30151
-134	144	-2.57557
-132	144	-0.928705
-130	144	1.06972
-128	144	1.85119
-126	144	1.09533
-124	144	-1.41792
-122	144	-4.62602
-120	144	-2.91999
-118	144	0.0899003
-116	144	1.10744
-114	144	-0.12691
-112	144	-4.19618
-110	144	-7.58183
-108	144	-2.36898
-106	144	0.355189
-104	144	0.166158
-102	144	-3.32408
-100	144	-12.0355
-98	144	-4.78786
-96	144	-0.361864
-94	144	0.245065
-92	144	-2.53718
-90	144	-12.0882
-88	144	-6.73862
-86	144	-0.894998
-84	144	0.407638
-82	144	-1.44135
-80	144	-7.55417
-78	144	-7.74219
-76	144	-1.48335
-74	144	0.615412
-72	144	-0.0261123
-70	144	-3.28273
-68	144	-6.49208
-66	144	-2.5645
-64	144	0.444198
-62	144	1.20752
-60	144	0.105795
-58	144	-2.40071
-56	144	-3.45132
-54	144	-1.02262
-52	144	1.15618
-50	144	2.00693
-48	144	1.63701

-46	144	0.288055
-44	144	-1.28694
-42	144	-1.39998
-40	144	0.132816
-38	144	1.7422
-36	144	2.74576
-34	144	3.09996
-32	144	2.88809
-30	144	2.23089
-28	144	1.294
-26	144	0.354164
-24	144	-0.224174
-22	144	-0.203764
-20	144	0.310348
-18	144	1.02447
-16	144	1.72368
-14	144	2.31431
-12	144	2.77173
-10	144	3.1089
-8	144	3.3447
-6	144	3.49589
-4	144	3.57773
-2	144	3.60003
0	144	3.56489
2	144	3.46522
4	144	3.29301
6	144	3.03203
8	144	2.66172
10	144	2.16401
12	144	1.53703
14	144	0.818254
16	144	0.1339
18	144	-0.25809
20	144	-0.0819725
22	144	0.664513
24	144	1.66988
26	144	2.58212
28	144	3.16182
30	144	3.2634
32	144	2.77199
34	144	1.60224
36	144	-0.157441
38	144	-1.61738
40	144	-1.0984
42	144	0.672876
44	144	1.99027
46	144	2.25683
48	144	1.269
50	144	-1.07208
52	144	-3.51398
54	144	-2.16315
56	144	0.39012
58	144	1.44386
60	144	0.629723
62	144	-2.39682
64	144	-6.17171
66	144	-3.01541
68	144	0.144501
70	144	0.746282
72	144	-1.33716
74	144	-7.28429
76	144	-7.09226
78	144	-1.32465
80	144	0.461515
82	144	-0.856927
84	144	-6.65302
86	144	-11.7617
88	144	-2.50818
90	144	0.236199
92	144	-0.405244
94	144	-4.96323
96	144	-13.0309
98	144	-3.4536
100	144	0.0830979
102	144	0.246991
104	144	-2.57696
106	144	-8.15161
108	144	-4.4576
110	144	-0.292556
112	144	0.925009
114	144	-0.138848
116	144	-3.18009
118	144	-4.71445
120	144	-1.49812
122	144	0.915743
124	144	1.58085
126	144	0.734427
128	144	-1.2156
130	144	-2.51196
132	144	-1.07754
134	144	1.00299
136	144	2.24144
138	144	2.51919
140	144	1.95588
142	144	0.778048
144	144	-0.484579
146	144	-0.860322
148	144	-0.00311749
150	144	1.31046
152	144	2.43306

154	144	3.19215
156	144	3.59333
158	144	3.70103
160	144	3.58566
162	144	3.31022
164	144	2.93981
166	144	2.53479
168	144	2.14163
170	144	1.80022
172	144	1.533
174	144	1.34744
176	144	1.24459
178	144	1.22282
180	144	1.28094
-180	146	3.66537
-178	146	3.69865
-176	146	3.73909
-174	146	3.76915
-172	146	3.76192
-170	146	3.68959
-168	146	3.51572
-166	146	3.19561
-164	146	2.68843
-162	146	1.95585
-160	146	0.992619
-158	146	-0.0851425
-156	146	-0.910366
-154	146	-0.920737
-152	146	-0.0184906
-150	146	1.21648
-148	146	2.22761
-146	146	2.73069
-144	146	2.57712
-142	146	1.65146
-140	146	-0.0984098
-138	146	-2.15833
-136	146	-2.43184
-134	146	-0.526187
-132	146	1.20204
-130	146	1.82215
-128	146	1.1072
-126	146	-1.14907
-124	146	-4.3854
-122	146	-3.78673
-120	146	-0.63815
-118	146	0.968619
-116	146	0.632851
-114	146	-1.96888
-112	146	-7.11789
-110	146	-5.45655
-108	146	-0.995252
-106	146	0.571737
-104	146	-0.44739
-102	146	-4.89418
-100	146	-12.5109
-98	146	-3.94842
-96	146	-0.220867
-94	146	0.180236
-92	146	-2.50397
-90	146	-11.2268
-88	146	-7.95984
-86	146	-1.45887
-84	146	0.37026
-82	146	-0.670705
-80	146	-5.1094
-78	146	-10.4329
-76	146	-3.39981
-74	146	0.0134819
-72	146	0.594907
-70	146	-1.12545
-68	146	-5.01562
-66	146	-5.59732
-64	146	-1.53273
-62	146	0.752022
-60	146	1.14905
-58	146	-0.0501369
-56	146	-2.41532
-54	146	-3.52076
-52	146	-1.41827
-50	146	0.786144
-48	146	1.89135
-46	146	1.92753
-44	146	1.05184
-42	146	-0.419661
-40	146	-1.59871
-38	146	-1.26655
-36	146	0.183138
-34	146	1.60687
-32	146	2.57421
-30	146	3.05186
-28	146	3.10889
-26	146	2.8251
-24	146	2.28858
-22	146	1.60155
-20	146	0.878999
-18	146	0.251279
-16	146	-0.180357
-14	146	-0.377395
-12	146	-0.375507
-10	146	-0.256896

-8	146	-0.0962058
-6	146	0.0490965
-4	146	0.141623
-2	146	0.167954
0	146	0.123706
2	146	0.013191
4	146	-0.139683
6	146	-0.294935
8	146	-0.390323
10	146	-0.341123
12	146	-0.0747223
14	146	0.426407
16	146	1.10556
18	146	1.84847
20	146	2.52743
22	146	3.03021
24	146	3.25916
26	146	3.13037
28	146	2.55701
30	146	1.47279
32	146	-0.0692688
34	146	-1.52465
36	146	-1.5962
38	146	-0.169081
40	146	1.36086
42	146	2.19573
44	146	2.08307
46	146	0.871436
48	146	-1.48339
50	146	-3.64941
52	146	-2.31177
54	146	0.157171
56	146	1.36383
58	146	0.959443
60	146	-1.3282
62	146	-5.4043
64	146	-4.91693
66	146	-1.02742
68	146	0.717113
70	146	0.180884
72	146	-3.10707
74	146	-9.75838
76	146	-5.0807
78	146	-0.656564
80	146	0.426392
82	146	-1.32672
84	146	-7.58408
86	146	-11.4138
88	146	-2.61351
90	146	0.143204
92	146	-0.20483
94	146	-3.88945
96	146	-13.1396
98	146	-5.23309
100	146	-0.593829
102	146	0.487926
104	146	-1.04808
106	146	-5.56016
108	146	-7.52875
110	146	-2.22276
112	146	0.443139
114	146	0.801098
116	146	-0.7854
118	146	-3.85643
120	146	-4.38573
122	146	-1.25744
124	146	0.91928
126	146	1.58323
128	146	0.936123
130	146	-0.747447
132	146	-2.40715
134	146	-1.91703
136	146	0.0362322
138	146	1.63208
140	146	2.43646
142	146	2.49704
144	146	1.92933
146	146	0.90127
148	146	-0.252549
150	146	-0.948814
152	146	-0.730891
154	146	0.164961
156	146	1.20989
158	146	2.11026
160	146	2.78378
162	146	3.24413
164	146	3.52569
166	146	3.67543
168	146	3.73451
170	146	3.73441
172	146	3.70731
174	146	3.67529
176	146	3.65124
178	146	3.64717
180	146	3.66537
-180	148	2.52028
-178	148	2.40593
-176	148	2.21212
-174	148	1.92529
-172	148	1.53086

-170	148	1.02194
-168	148	0.403983
-166	148	-0.269845
-164	148	-0.865127
-162	148	-1.1493
-160	148	-0.904136
-158	148	-0.150479
-156	148	0.842659
-154	148	1.77733
-152	148	2.44943
-150	148	2.7266
-148	148	2.51055
-146	148	1.70661
-144	148	0.249523
-142	148	-1.65673
-140	148	-2.78192
-138	148	-1.70583
-136	148	0.190491
-134	148	1.4759
-132	148	1.75533
-130	148	0.8721
-128	148	-1.35646
-126	148	-4.42414
-124	148	-4.16825
-122	148	-1.1318
-120	148	0.730453
-118	148	0.90574
-116	148	-0.784703
-114	148	-4.9053
-112	148	-7.93685
-110	148	-3.05277
-108	148	-0.0673241
-106	148	0.475159
-104	148	-1.3819
-102	148	-6.98626
-100	148	-11.2284
-98	148	-3.1864
-96	148	-0.101519
-94	148	0.100925
-92	148	-2.48887
-90	148	-10.4132
-88	148	-9.38475
-86	148	-2.15082
-84	148	0.194145
-82	148	-0.138139
-80	148	-3.20426
-78	148	-9.85416
-76	148	-6.20977
-74	148	-1.25272
-72	148	0.541445
-70	148	0.167408
-68	148	-2.24416
-66	148	-5.98974
-64	148	-4.73227
-62	148	-1.08193
-60	148	0.827635
-58	148	1.13113
-56	148	0.0631297
-54	148	-2.06778
-52	148	-3.61564
-50	148	-2.24384
-48	148	0.00960803
-46	148	1.48443
-44	148	2.03124
-42	148	1.76436
-40	148	0.824239
-38	148	-0.518267
-36	148	-1.60692
-34	148	-1.58194
-32	148	-0.513264
-30	148	0.785632
-28	148	1.85349
-26	148	2.58102
-24	148	2.99629
-22	148	3.15261
-20	148	3.11128
-18	148	2.92328
-16	148	2.64501
-14	148	2.32072
-12	148	1.99265
-10	148	1.6935
-8	148	1.44521
-6	148	1.26502
-4	148	1.15854
-2	148	1.12994
0	148	1.18096
2	148	1.30795
4	148	1.51009
6	148	1.7775
8	148	2.09288
10	148	2.43228
12	148	2.759
14	148	3.03248
16	148	3.20488
18	148	3.22221
20	148	3.02936
22	148	2.56082
24	148	1.76411
26	148	0.614515
28	148	-0.756906

30	148	-1.79602
32	148	-1.62772
34	148	-0.353604
36	148	1.05879
38	148	1.99417
40	148	2.22396
42	148	1.61377
44	148	0.0427802
46	148	-2.36486
48	148	-3.795
50	148	-2.04328
52	148	0.207568
54	148	1.31683
56	148	1.03684
58	148	-0.854173
60	148	-4.54772
62	148	-6.07418
64	148	-2.27498
66	148	0.232871
68	148	0.690573
70	148	-0.989527
72	148	-5.7036
74	148	-9.83391
76	148	-3.35108
78	148	-0.160852
80	148	0.281686
82	148	-1.90685
84	148	-8.69503
86	148	-11.004
88	148	-2.71592
90	148	0.0324239
92	148	-0.0523459
94	148	-2.99104
96	148	-11.0038
98	148	-7.6042
100	148	-1.6357
102	148	0.361605
104	148	-0.0818933
106	148	-2.96223
108	148	-7.93733
110	148	-5.27653
112	148	-1.04568
114	148	0.720097
116	148	0.602807
118	148	-1.18003
120	148	-4.075
122	148	-4.36494
124	148	-1.46745
126	148	0.69367
128	148	1.54905
130	148	1.26019
132	148	0.00875226
134	148	-1.74617
136	148	-2.5816
138	148	-1.4328
140	148	0.346817
142	148	1.68689
144	148	2.40866
146	148	2.56324
148	148	2.24344
150	148	1.55103
152	148	0.628622
154	148	-0.301608
156	148	-0.942156
158	148	-1.07155
160	148	-0.717575
162	148	-0.109155
164	148	0.547772
166	148	1.13591
168	148	1.617
170	148	1.9868
172	148	2.25302
174	148	2.43172
176	148	2.53122
178	148	2.55969
180	148	2.52028
-180	150	-1.17693
-178	150	-1.21551
-176	150	-1.24632
-174	150	-1.23129
-172	150	-1.11843
-170	150	-0.859923
-168	150	-0.433861
-166	150	0.141665
-164	150	0.804594
-162	150	1.47436
-160	150	2.06296
-158	150	2.49326
-156	150	2.69021
-154	150	2.58662
-152	150	2.10792
-150	150	1.1831
-148	150	-0.220261
-146	150	-1.88505
-144	150	-2.87475
-142	150	-2.10427
-140	150	-0.397859
-138	150	1.02307
-136	150	1.71179
-134	150	1.51536

-132	150	0.296235
-130	150	-2.08244
-128	150	-4.8186
-126	150	-4.1091
-124	150	-1.24778
-122	150	0.581695
-120	150	0.956677
-118	150	-0.24077
-116	150	-3.44654
-114	150	-8.13203
-112	150	-5.28282
-110	150	-1.24892
-108	150	0.412335
-106	150	0.0255309
-104	150	-2.73273
-102	150	-9.75496
-100	150	-9.15819
-98	150	-2.50613
-96	150	-0.00636678
-94	150	0.00697587
-92	150	-2.49029
-90	150	-9.66087
-88	150	-11.0512
-86	150	-2.99113
-84	150	-0.129136
-82	150	0.17261
-80	150	-1.79589
-78	150	-6.86357
-76	150	-9.6586
-74	150	-3.383
-72	150	-0.248395
-70	150	0.60475
-68	150	-0.335169
-66	150	-3.05913
-64	150	-6.30014
-62	150	-4.41371
-60	150	-1.08112
-58	150	0.73103
-56	150	1.15727
-54	150	0.405984
-52	150	-1.34278
-50	150	-3.29553
-48	150	-3.30009
-46	150	-1.34858
-44	150	0.506714
-42	150	1.63097
-40	150	2.03896
-38	150	1.82829
-36	150	1.10395
-34	150	0.0222485
-32	150	-1.11976
-30	150	-1.81337
-28	150	-1.67016
-26	150	-0.866314
-24	150	0.133305
-22	150	1.04441
-20	150	1.76785
-18	150	2.30121
-16	150	2.66977
-14	150	2.91185
-12	150	3.05642
-10	150	3.13644
-8	150	3.17341
-6	150	3.18779
-4	150	3.19276
-2	150	3.19514
0	150	3.19968
2	150	3.19935
4	150	3.18902
6	150	3.15181
8	150	3.06888
10	150	2.91494
12	150	2.65824
14	150	2.2667
16	150	1.70079
18	150	0.936304
20	150	-0.0236886
22	150	-1.06701
24	150	-1.86179
26	150	-1.90687
28	150	-1.07622
30	150	0.158269
32	150	1.27798
34	150	2.00381
36	150	2.19562
38	150	1.75203
40	150	0.56445
42	150	-1.40585
44	150	-3.52213
46	150	-3.48596
48	150	-1.34185
50	150	0.515431
52	150	1.3235
54	150	0.937204
56	150	-0.844549
58	150	-4.23392
60	150	-6.51922
62	150	-3.23607
64	150	-0.348646
66	150	0.712647

68	150	-0.0167933
70	150	-2.96485
72	150	-9.11219
74	150	-7.30284
76	150	-1.98554
78	150	0.158423
80	150	0.0131877
82	150	-2.61828
84	150	-10.0298
86	150	-10.5416
88	150	-2.81403
90	150	-0.0947305
92	150	0.0546383
94	150	-2.24341
96	150	-8.5249
98	150	-10.6563
100	150	-3.14022
102	150	-0.16052
104	150	0.370183
106	150	-1.14239
108	150	-4.97711
110	150	-8.22585
112	150	-3.81243
114	150	-0.501014
116	150	0.78546
118	150	0.494449
120	150	-1.21719
122	150	-3.90198
124	150	-4.6626
126	150	-2.16092
128	150	0.137745
130	150	1.3361
132	150	1.53145
134	150	0.865831
136	150	-0.487734
138	150	-2.0454
140	150	-2.64305
142	150	-1.66333
144	150	-0.103729
146	150	1.20758
148	150	2.06795
150	150	2.50391
152	150	2.57697
154	150	2.36081
156	150	1.92239
158	150	1.33689
160	150	0.681455
162	150	0.0459968
164	150	-0.494868
166	150	-0.884698
168	150	-1.1157
170	150	-1.21116
172	150	-1.22172
174	150	-1.19413
176	150	-1.16552
178	150	-1.15844
180	150	-1.17693
-180	152	1.41774
-178	152	1.51334
-176	152	1.66397
-174	152	1.85533
-172	152	2.07291
-170	152	2.29196
-168	152	2.4861
-166	152	2.6205
-164	152	2.65878
-162	152	2.55716
-160	152	2.26979
-158	152	1.74279
-156	152	0.927241
-154	152	-0.203472
-152	152	-1.55944
-150	152	-2.72311
-148	152	-2.8693
-146	152	-1.7817
-144	152	-0.280604
-142	152	0.945322
-140	152	1.61853
-138	152	1.62281
-136	152	0.851427
-134	152	-0.834812
-132	152	-3.40484
-130	152	-5.23783
-128	152	-3.53797
-126	152	-0.95758
-124	152	0.599788
-122	152	0.919482
-120	152	-0.0971858
-118	152	-2.79666
-116	152	-7.35876
-114	152	-7.02633
-112	152	-2.54941
-110	152	-0.115922
-108	152	0.432682
-106	152	-0.843572
-104	152	-4.65733
-102	152	-12.8778
-100	152	-7.14056
-98	152	-1.90748
-96	152	0.0622266

-94	152	-0.100797
-92	152	-2.50651
-90	152	-8.97233
-88	152	-12.9772
-86	152	-4.0079
-84	152	-0.612899
-82	152	0.26994
-80	152	-0.804863
-78	152	-4.20924
-76	152	-10.1826
-74	152	-6.67566
-72	152	-1.93882
-70	152	0.171559
-68	152	0.50753
-66	152	-0.676215
-64	152	-3.38452
-62	152	-6.31995
-60	152	-4.69951
-58	152	-1.52421
-56	152	0.410163
-54	152	1.13244
-52	152	0.839192
-50	152	-0.346996
-48	152	-2.17242
-46	152	-3.63036
-44	152	-3.13886
-42	152	-1.34577
-40	152	0.306401
-38	152	1.40394
-36	152	1.94964
-34	152	2.02419
-32	152	1.70589
-30	152	1.07251
-28	152	0.228027
-26	152	-0.688863
-24	152	-1.47408
-22	152	-1.92445
-20	152	-1.9438
-18	152	-1.61998
-16	152	-1.12219
-14	152	-0.594819
-12	152	-0.116589
-10	152	0.276275
-8	152	0.576772
-6	152	0.783842
-4	152	0.904913
-2	152	0.940049
0	152	0.894326
2	152	0.761111
4	152	0.540411
6	152	0.222988
8	152	-0.189883
10	152	-0.691089
12	152	-1.24105
14	152	-1.75256
16	152	-2.06817
18	152	-2.00835
20	152	-1.49664
22	152	-0.647585
24	152	0.315526
26	152	1.18742
28	152	1.83037
30	152	2.14714
32	152	2.06156
34	152	1.4895
36	152	0.345014
38	152	-1.4028
40	152	-3.35633
42	152	-3.91124
44	152	-2.29967
46	152	-0.330274
48	152	0.941897
50	152	1.29484
52	152	0.617413
54	152	-1.28855
56	152	-4.56471
58	152	-6.67077
60	152	-3.67931
62	152	-0.761948
64	152	0.57048
66	152	0.369386
68	152	-1.57449
70	152	-6.08217
72	152	-10.6508
74	152	-4.66692
76	152	-0.970398
78	152	0.29634
80	152	-0.396953
82	152	-3.488
84	152	-11.644
86	152	-10.0373
88	152	-2.90643
90	152	-0.236736
92	152	0.118376
94	152	-1.62643
96	152	-6.42616
98	152	-13.3839
100	152	-5.27425
102	152	-1.14046
104	152	0.320908

106	152	-0.0662435
108	152	-2.28992
110	152	-6.50964
112	152	-7.55156
114	152	-3.15859
116	152	-0.356076
118	152	0.758029
120	152	0.535262
122	152	-0.892176
124	152	-3.28569
126	152	-4.93215
128	152	-3.38249
130	152	-0.953748
132	152	0.696109
134	152	1.46649
136	152	1.47684
138	152	0.834479
140	152	-0.330384
142	152	-1.72347
144	152	-2.677
146	152	-2.48434
148	152	-1.38368
150	152	-0.106488
152	152	0.964219
154	152	1.7379
156	152	2.23902
158	152	2.51012
160	152	2.60216
162	152	2.55916
164	152	2.42471
166	152	2.23431
168	152	2.02175
170	152	1.81287
172	152	1.63133
174	152	1.49145
176	152	1.40657
178	152	1.38033
180	152	1.41774
-180	154	2.4139
-178	154	2.37441
-176	154	2.30255
-174	154	2.18268
-172	154	2.00246
-170	154	1.73791
-168	154	1.36796
-166	154	0.863322
-164	154	0.202133
-162	154	-0.625934
-160	154	-1.5801
-158	154	-2.50179
-156	154	-3.04215
-154	154	-2.82409
-152	154	-1.88475
-150	154	-0.65721
-148	154	0.465515
-146	154	1.2709
-144	154	1.65016
-142	154	1.52302
-140	154	0.802815
-138	154	-0.623596
-136	154	-2.80148
-134	154	-5.01967
-132	154	-4.78601
-130	154	-2.41
-128	154	-0.351587
-126	154	0.744849
-124	154	0.808623
-122	154	-0.270671
-120	154	-2.8033
-118	154	-7.03588
-116	154	-7.92674
-114	154	-3.57804
-112	154	-0.736833
-110	154	0.375105
-108	154	-0.0479288
-106	154	-2.25348
-104	154	-7.43146
-102	154	-13.4916
-100	154	-5.41345
-98	154	-1.39304
-96	154	0.101878
-94	154	-0.223341
-92	154	-2.53573
-90	154	-8.34462
-88	154	-15.0609
-86	154	-5.24434
-84	154	-1.2774
-82	154	0.150104
-80	154	-0.175249
-78	154	-2.29312
-76	154	-6.86213
-74	154	-10.388
-72	154	-4.86621
-70	154	-1.27437
-68	154	0.298064
-66	154	0.426942
-64	154	-0.726913
-62	154	-3.16718
-60	154	-6.07338
-58	154	-5.53451

-56	154	-2.52912
-54	154	-0.303927
-52	154	0.854057
-50	154	1.11708
-48	154	0.611283
-46	154	-0.569283
-44	154	-2.20255
-42	154	-3.58585
-40	154	-3.57627
-38	154	-2.2436
-36	154	-0.681691
-34	154	0.562347
-32	154	1.40305
-30	154	1.87744
-28	154	2.04587
-26	154	1.96907
-24	154	1.6975
-22	154	1.28524
-20	154	0.782965
-18	154	0.241944
-16	154	-0.288609
-14	154	-0.767441
-12	154	-1.16359
-10	154	-1.4668
-8	154	-1.67797
-6	154	-1.81371
-4	154	-1.88724
-2	154	-1.91399
0	154	-1.8946
2	154	-1.82668
4	154	-1.69336
6	154	-1.47969
8	154	-1.16909
10	154	-0.760596
12	154	-0.266605
14	154	0.279912
16	154	0.835967
18	154	1.35011
20	154	1.77095
22	154	2.04707
24	154	2.12568
26	154	1.95294
28	154	1.46521
30	154	0.599218
32	154	-0.700002
34	154	-2.36471
36	154	-3.84043
38	154	-3.88345
40	154	-2.3673
42	154	-0.602572
44	154	0.664364
46	154	1.23502
48	154	1.02511
50	154	-0.0920468
52	154	-2.31508
54	154	-5.53971
56	154	-6.57593
58	154	-3.51554
60	154	-0.851886
62	154	0.459701
64	154	0.47006
66	154	-0.945811
68	154	-4.32843
70	154	-10.213
72	154	-7.66823
74	154	-2.65406
76	154	-0.281917
78	154	0.238501
80	154	-0.9723
82	154	-4.55742
84	154	-13.5897
86	154	-9.50459
88	154	-2.99191
90	154	-0.392152
92	154	0.140828
94	154	-1.12616
96	154	-4.7481
98	154	-12.3971
100	154	-8.30736
102	154	-2.7019
104	154	-0.262282
106	154	0.334772
108	154	-0.596141
110	154	-3.17419
112	154	-7.26463
114	154	-7.22732
116	154	-3.16193
118	154	-0.535131
120	154	0.642698
122	154	0.676488
124	154	-0.302223
126	154	-2.19475
128	154	-4.39478
130	154	-4.76376
132	154	-2.81151
134	154	-0.735806
136	154	0.668846
138	154	1.39431
140	154	1.53519
142	154	1.1811

144	154	0.415344
146	154	-0.65219
148	154	-1.80261
150	154	-2.6578
152	154	-2.83564
154	154	-2.31752
156	154	-1.44811
158	154	-0.539591
160	154	0.252944
162	154	0.890335
164	154	1.37892
166	154	1.73929
168	154	1.99819
170	154	2.17621
172	154	2.29583
174	154	2.36921
176	154	2.41097
178	154	2.42384
180	154	2.4139
-180	156	-1.53948
-178	156	-1.67323
-176	156	-1.88549
-174	156	-2.16841
-172	156	-2.49624
-170	156	-2.82253
-168	156	-3.06844
-166	156	-3.12719
-164	156	-2.90437
-162	156	-2.37319
-160	156	-1.60633
-158	156	-0.733343
-156	156	0.11623
-154	156	0.838148
-152	156	1.35666
-150	156	1.6099
-148	156	1.54133
-146	156	1.08642
-144	156	0.161554
-142	156	-1.31497
-140	156	-3.32032
-138	156	-5.17672
-136	156	-5.03078
-134	156	-3.00249
-132	156	-0.980943
-130	156	0.341297
-128	156	0.857239
-126	156	0.516802
-124	156	-0.822683
-122	156	-3.46567
-120	156	-7.48844
-118	156	-8.1124
-116	156	-4.03991
-114	156	-1.16881
-112	156	0.182515
-110	156	0.221103
-108	156	-1.12551
-106	156	-4.42486
-104	156	-11.4177
-102	156	-10.5481
-100	156	-3.98996
-98	156	-0.96291
-96	156	0.110345
-94	156	-0.360748
-92	156	-2.57608
-90	156	-7.77236
-88	156	-16.7763
-86	156	-6.76555
-84	156	-2.15368
-82	156	-0.198802
-80	156	0.123501
-78	156	-1.00313
-76	156	-3.86981
-74	156	-8.96231
-72	156	-9.21842
-70	156	-4.09089
-68	156	-1.09791
-66	156	0.264637
-64	156	0.424927
-62	156	-0.479055
-60	156	-2.44845
-58	156	-5.20506
-56	156	-6.45629
-54	156	-4.27549
-52	156	-1.71825
-50	156	-0.00819125
-48	156	0.886436
-46	156	1.10125
-44	156	0.732606
-42	156	-0.145596
-40	156	-1.42574
-38	156	-2.84157
-36	156	-3.80425
-34	156	-3.69683
-32	156	-2.69458
-30	156	-1.4416
-28	156	-0.323328
-26	156	0.550337
-24	156	1.1855
-22	156	1.61387
-20	156	1.87666

-18	156	2.01229
-16	156	2.05206
-14	156	2.02824
-12	156	1.96352
-10	156	1.88191
-8	156	1.80007
-6	156	1.7322
-4	156	1.68901
-2	156	1.67492
0	156	1.6944
2	156	1.74227
4	156	1.81574
6	156	1.90237
8	156	1.98962
10	156	2.05865
12	156	2.08728
14	156	2.0506
16	156	1.91636
18	156	1.65282
20	156	1.21818
22	156	0.571702
24	156	-0.328054
26	156	-1.49564
28	156	-2.83284
30	156	-3.94661
32	156	-4.10249
34	156	-3.0689
36	156	-1.54226
38	156	-0.171734
40	156	0.774009
42	156	1.19733
44	156	1.03008
46	156	0.176536
48	156	-1.51457
50	156	-4.16213
52	156	-6.78809
54	156	-5.77148
56	156	-2.76889
58	156	-0.597471
60	156	0.455657
62	156	0.428454
64	156	-0.787702
66	156	-3.59374
68	156	-8.77085
70	156	-10.0256
72	156	-4.44885
74	156	-1.24658
76	156	0.0967295
78	156	-0.0334725
80	156	-1.74527
82	156	-5.886
84	156	-15.8167
86	156	-8.9549
88	156	-3.06931
90	156	-0.559507
92	156	0.123668
94	156	-0.731329
96	156	-3.41949
98	156	-9.21337
100	156	-12.2679
102	156	-5.07691
104	156	-1.47327
106	156	0.0698585
108	156	0.197372
110	156	-0.9636
112	156	-3.54745
114	156	-7.33493
116	156	-7.5571
118	156	-3.81536
120	156	-1.1028
122	156	0.329496
124	156	0.760553
126	156	0.340346
128	156	-0.85886
130	156	-2.71533
132	156	-4.6009
134	156	-4.88412
136	156	-3.28125
138	156	-1.38752
140	156	0.0578345
142	156	0.978658
144	156	1.44439
146	156	1.52877
148	156	1.29339
150	156	0.799751
152	156	0.107773
154	156	-0.708204
156	156	-1.54477
158	156	-2.2771
160	156	-2.78243
162	156	-2.99703
164	156	-2.94838
166	156	-2.72119
168	156	-2.41786
170	156	-2.11017
172	156	-1.84553
174	156	-1.64799
176	156	-1.52783
178	156	-1.49226
180	156	-1.53948

-180	158	-1.25259
-178	158	-1.14739
-176	158	-0.970254
-174	158	-0.726302
-172	158	-0.42374
-170	158	-0.0753209
-168	158	0.297677
-166	158	0.672866
-164	158	1.02112
-162	158	1.31118
-160	158	1.51106
-158	158	1.58322
-156	158	1.49023
-154	158	1.18833
-152	158	0.623118
-150	158	-0.261882
-148	158	-1.52294
-146	158	-3.15412
-144	158	-4.83762
-142	158	-5.52713
-140	158	-4.43206
-138	158	-2.54582
-136	158	-0.876761
-134	158	0.255259
-132	158	0.780846
-130	158	0.65876
-128	158	-0.199601
-126	158	-1.98054
-124	158	-4.96751
-122	158	-8.57821
-120	158	-7.5619
-118	158	-3.80781
-116	158	-1.24546
-114	158	0.055881
-112	158	0.262189
-110	158	-0.649794
-108	158	-3.00133
-106	158	-7.80223
-104	158	-14.6694
-102	158	-7.4762
-100	158	-2.83429
-98	158	-0.617317
-96	158	0.0852886
-94	158	-0.513114
-92	158	-2.6256
-90	158	-7.24898
-88	158	-17.0375
-86	158	-8.67564
-84	158	-3.28944
-82	158	-0.801121
-80	158	0.102078
-78	158	-0.234845
-76	158	-1.84613
-74	158	-5.09761
-72	158	-9.98491
-70	158	-8.73682
-68	158	-4.10258
-66	158	-1.31968
-64	158	0.0763867
-62	158	0.450208
-60	158	-0.0495787
-58	158	-1.39922
-56	158	-3.56915
-54	158	-5.97232
-52	158	-6.33987
-50	158	-4.20986
-48	158	-1.9554
-46	158	-0.353934
-44	158	0.609459
-42	158	1.04132
-40	158	1.02916
-38	158	0.635338
-36	158	-0.0871608
-34	158	-1.06717
-32	158	-2.18458
-30	158	-3.23316
-28	158	-3.90909
-26	158	-3.98575
-24	158	-3.52601
-22	158	-2.78581
-20	158	-1.99617
-18	158	-1.27935
-16	158	-0.673927
-14	158	-0.186785
-12	158	0.192587
-10	158	0.48028
-8	158	0.686587
-6	158	0.826724
-4	158	0.907623
-2	158	0.934266
0	158	0.910215
2	158	0.829927
4	158	0.691432
6	158	0.483851
8	158	0.194957
10	158	-0.188589
12	158	-0.686264
14	158	-1.30744
16	158	-2.05277
18	158	-2.88481

20	158	-3.68302
22	158	-4.20599
24	158	-4.15774
26	158	-3.45383
28	158	-2.34338
30	158	-1.15778
32	158	-0.120802
34	158	0.648597
36	158	1.0872
38	158	1.14045
40	158	0.743635
42	158	-0.18947
44	158	-1.78055
46	158	-4.11652
48	158	-6.60904
50	158	-6.59297
52	158	-4.01406
54	158	-1.62694
56	158	-0.120625
58	158	0.508049
60	158	0.253811
62	158	-1.00727
64	158	-3.62393
66	158	-8.27601
68	158	-11.1048
70	158	-5.86163
72	158	-2.20832
74	158	-0.361091
76	158	0.163245
78	158	-0.547887
80	158	-2.7612
82	158	-7.56779
84	158	-17.7618
86	158	-8.39873
88	158	-3.13782
90	158	-0.737593
92	158	0.0681886
94	158	-0.433485
96	158	-2.37378
98	158	-6.4606
100	158	-13.4729
102	158	-8.69524
104	158	-3.52242
106	158	-0.936201
108	158	0.148157
110	158	0.0968982
112	158	-1.02263
114	158	-3.31537
116	158	-6.72753
118	158	-8.29545
120	158	-5.26338
122	158	-2.28024
124	158	-0.422915
126	158	0.516703
128	158	0.715971
130	158	0.272581
132	158	-0.755643
134	158	-2.29168
136	158	-4.03933
138	158	-5.1223
140	158	-4.62797
142	158	-3.12044
144	158	-1.57077
146	158	-0.335811
148	158	0.54547
150	158	1.11414
152	158	1.42596
154	158	1.53035
156	158	1.46781
158	158	1.28006
160	158	1.00142
162	158	0.663006
164	158	0.297438
166	158	-0.0689975
168	158	-0.4123
170	158	-0.71213
172	158	-0.957371
174	158	-1.13699
176	158	-1.24742
178	158	-1.28667
180	158	-1.25259
-180	160	1.53369
-178	160	1.532
-176	160	1.52438
-174	160	1.50271
-172	160	1.45495
-170	160	1.36931
-168	160	1.22751
-166	160	1.00875
-164	160	0.690214
-162	160	0.241918
-160	160	-0.36766
-158	160	-1.17072
-156	160	-2.19358
-154	160	-3.41718
-152	160	-4.68341
-150	160	-5.53685
-148	160	-5.36605
-146	160	-4.18709
-144	160	-2.64565

-142	160	-1.23304
-140	160	-0.153038
-138	160	0.526306
-136	160	0.768574
-134	160	0.528015
-132	160	-0.275376
-130	160	-1.78126
-128	160	-4.20063
-126	160	-7.5226
-124	160	-9.02229
-122	160	-6.04307
-120	160	-2.95134
-118	160	-0.952406
-116	160	0.0697862
-114	160	0.214073
-112	160	-0.548699
-110	160	-2.44503
-108	160	-6.11063
-106	160	-13.0162
-104	160	-11.3064
-102	160	-5.11565
-100	160	-1.91411
-98	160	-0.356815
-96	160	0.0243238
-94	160	-0.680567
-92	160	-2.6823
-90	160	-6.76795
-88	160	-15.6413
-86	160	-11.146
-84	160	-4.76196
-82	160	-1.69934
-80	160	-0.253718
-78	160	0.0667846
-76	160	-0.613863
-74	160	-2.3995
-72	160	-5.62164
-70	160	-10.1143
-68	160	-9.27297
-66	160	-4.89866
-64	160	-2.01979
-62	160	-0.391793
-60	160	0.33329
-58	160	0.328533
-56	160	-0.339935
-54	160	-1.6601
-52	160	-3.59161
-50	160	-5.74576
-48	160	-6.67959
-46	160	-5.3765
-44	160	-3.3223
-42	160	-1.58683
-40	160	-0.3415
-38	160	0.467897
-36	160	0.916566
-34	160	1.06697
-32	160	0.970439
-30	160	0.669455
-28	160	0.201675
-26	160	-0.393724
-24	160	-1.07054
-22	160	-1.77998
-20	160	-2.46772
-18	160	-3.07622
-16	160	-3.56147
-14	160	-3.90239
-12	160	-4.10382
-10	160	-4.19663
-8	160	-4.22007
-6	160	-4.2098
-4	160	-4.19684
-2	160	-4.19704
0	160	-4.2155
2	160	-4.24988
4	160	-4.28018
6	160	-4.27802
8	160	-4.20562
10	160	-4.01915
12	160	-3.68683
14	160	-3.19988
16	160	-2.57963
18	160	-1.87379
20	160	-1.1409
22	160	-0.438757
24	160	0.180499
26	160	0.673576
28	160	1.00201
30	160	1.12494
32	160	1.00009
34	160	0.577451
36	160	-0.208737
38	160	-1.44413
40	160	-3.21044
42	160	-5.42464
44	160	-7.11032
46	160	-6.35296
48	160	-4.0272
50	160	-1.90976
52	160	-0.450208
54	160	0.332331
56	160	0.440611

58	160	-0.179354
60	160	-1.68366
62	160	-4.42248
64	160	-8.93823
66	160	-11.3183
68	160	-6.46512
70	160	-2.82985
72	160	-0.805496
74	160	0.0551902
76	160	-0.100217
78	160	-1.34869
80	160	-4.09437
82	160	-9.76314
84	160	-17.9341
86	160	-7.84467
88	160	-3.19683
90	160	-0.925292
92	160	-0.0247615
94	160	-0.226507
96	160	-1.56277
98	160	-4.38937
100	160	-9.7248
102	160	-13.4317
104	160	-6.85959
106	160	-2.89554
108	160	-0.805268
110	160	0.109267
112	160	0.102136
114	160	-0.765168
116	160	-2.54751
118	160	-5.32545
120	160	-8.21567
122	160	-7.5238
124	160	-4.48033
126	160	-2.04113
128	160	-0.472838
130	160	0.394776
132	160	0.697206
134	160	0.517288
136	160	-0.0921727
138	160	-1.08954
140	160	-2.40459
142	160	-3.8485
144	160	-4.98319
146	160	-5.23497
148	160	-4.52845
150	160	-3.36997
152	160	-2.20329
154	160	-1.20591
156	160	-0.410528
158	160	0.198048
160	160	0.648449
162	160	0.972535
164	160	1.19642
166	160	1.34319
168	160	1.43477
170	160	1.48665
172	160	1.51281
174	160	1.52515
176	160	1.5294
178	160	1.53149
180	160	1.53369
-180	162	-1.90626
-178	162	-2.02497
-176	162	-2.2252
-174	162	-2.51158
-172	162	-2.89126
-170	162	-3.36289
-168	162	-3.91756
-166	162	-4.52634
-164	162	-5.11403
-162	162	-5.54474
-160	162	-5.63909
-158	162	-5.26943
-156	162	-4.47327
-154	162	-3.42847
-152	162	-2.32698
-150	162	-1.30636
-148	162	-0.448929
-146	162	0.197129
-144	162	0.598112
-142	162	0.722172
-140	162	0.53076
-138	162	-0.0347145
-136	162	-1.05828
-134	162	-2.66396
-132	162	-5.00363
-130	162	-7.92478
-128	162	-9.19181
-126	162	-6.77004
-124	162	-3.85506
-122	162	-1.74266
-120	162	-0.434344
-118	162	0.164692
-116	162	0.0827664
-114	162	-0.738454
-112	162	-2.4932
-110	162	-5.66203
-108	162	-11.4339
-106	162	-14.126

-104	162	-7.28892
-102	162	-3.35739
-100	162	-1.20326
-98	162	-0.182539
-96	162	-0.0739035
-94	162	-0.863331
-92	162	-2.74425
-90	162	-6.32308
-88	162	-13.6469
-86	162	-14.4246
-84	162	-6.70372
-82	162	-2.96628
-80	162	-0.982807
-78	162	-0.0847026
-76	162	-0.0404223
-74	162	-0.80493
-72	162	-2.47334
-70	162	-5.29258
-68	162	-9.3409
-66	162	-10.6198
-64	162	-6.73287
-62	162	-3.48381
-60	162	-1.42555
-58	162	-0.22805
-56	162	0.316046
-54	162	0.319328
-52	162	-0.167273
-50	162	-1.12348
-48	162	-2.53484
-46	162	-4.30808
-44	162	-6.05393
-42	162	-6.80961
-40	162	-5.98475
-38	162	-4.38727
-36	162	-2.82896
-34	162	-1.56315
-32	162	-0.605667
-30	162	0.0850245
-28	162	0.557385
-26	162	0.853518
-24	162	1.00772
-22	162	1.05134
-20	162	1.0112
-18	162	0.909857
-16	162	0.768101
-14	162	0.605795
-12	162	0.43919
-10	162	0.281562
-8	162	0.146339
-6	162	0.0428828
-4	162	-0.0235471
-2	162	-0.0470267
0	162	-0.0259897
2	162	0.0367374
4	162	0.139152
6	162	0.274754
8	162	0.432818
10	162	0.602935
12	162	0.770999
14	162	0.919046
16	162	1.02915
18	162	1.08066
20	162	1.0489
22	162	0.907436
24	162	0.626389
26	162	0.169077
28	162	-0.509452
30	162	-1.45966
32	162	-2.73534
34	162	-4.35364
36	162	-6.12445
38	162	-7.23897
40	162	-6.61475
42	162	-4.7617
44	162	-2.83804
46	162	-1.30558
48	162	-0.250202
50	162	0.325106
52	162	0.40429
54	162	-0.0568063
56	162	-1.15973
58	162	-3.10667
60	162	-6.2804
62	162	-10.7521
64	162	-10.6108
66	162	-6.06834
68	162	-2.89636
70	162	-1.01555
72	162	-0.0899735
74	162	0.00936927
76	162	-0.733477
78	162	-2.50452
80	162	-5.86707
82	162	-12.765
84	162	-16.0667
86	162	-7.29946
88	162	-3.24596
90	162	-1.12179
92	162	-0.154862
94	162	-0.106472

96	162	-0.952215
98	162	-2.85332
100	162	-6.30555
102	162	-12.2137
104	162	-12.1686
106	162	-6.32964
108	162	-2.91574
110	162	-0.994352
112	162	-0.0412882
114	162	0.157599
116	162	-0.320146
118	162	-1.47824
120	162	-3.38099
122	162	-6.01447
124	162	-8.41442
126	162	-7.83126
128	162	-5.21815
130	162	-2.89912
132	162	-1.25549
134	162	-0.184563
136	162	0.428231
138	162	0.665432
140	162	0.583634
142	162	0.224667
144	162	-0.374938
146	162	-1.18188
148	162	-2.14937
150	162	-3.20047
152	162	-4.20724
154	162	-4.99147
156	162	-5.38971
158	162	-5.35424
160	162	-4.98584
162	162	-4.4489
164	162	-3.87597
166	162	-3.34166
168	162	-2.88182
170	162	-2.51041
172	162	-2.22589
174	162	-2.02552
176	162	-1.90831
178	162	-1.86883
180	162	-1.90626
-180	164	-3.98504
-178	164	-3.88678
-176	164	-3.71441
-174	164	-3.46758
-172	164	-3.14924
-170	164	-2.76599
-168	164	-2.32891
-166	164	-1.85432
-164	164	-1.36308
-162	164	-0.876578
-160	164	-0.417654
-158	164	-0.00978683
-156	164	0.323397
-154	164	0.559501
-152	164	0.674305
-150	164	0.641444
-148	164	0.428492
-146	164	-0.00254686
-144	164	-0.701432
-142	164	-1.73498
-140	164	-3.19322
-138	164	-5.16654
-136	164	-7.57341
-134	164	-9.31922
-132	164	-8.3317
-130	164	-5.77157
-128	164	-3.44844
-126	164	-1.72876
-124	164	-0.585177
-122	164	0.0348822
-120	164	0.150037
-118	164	-0.264877
-116	164	-1.29988
-114	164	-3.14945
-112	164	-6.25025
-110	164	-11.5954
-108	164	-15.1305
-106	164	-8.68405
-104	164	-4.50764
-102	164	-2.0645
-100	164	-0.68325
-98	164	-0.0963685
-96	164	-0.212835
-94	164	-1.06166
-92	164	-2.80952
-90	164	-5.90877
-88	164	-11.7349
-86	164	-18.2665
-84	164	-9.36789
-82	164	-4.7316
-80	164	-2.1632
-78	164	-0.724008
-76	164	-0.0764564
-74	164	-0.0860547
-72	164	-0.726035
-70	164	-2.05168
-68	164	-4.20969

-66	164	-7.39561
-64	164	-10.8326
-62	164	-9.88767
-60	164	-6.33056
-58	164	-3.58649
-56	164	-1.7457
-54	164	-0.572304
-52	164	0.0919817
-50	164	0.343226
-48	164	0.238783
-46	164	-0.189765
-44	164	-0.920839
-42	164	-1.93667
-40	164	-3.20216
-38	164	-4.62601
-36	164	-5.98172
-34	164	-6.84349
-32	164	-6.83788
-30	164	-6.07831
-28	164	-4.99995
-26	164	-3.91998
-24	164	-2.96766
-22	164	-2.17288
-20	164	-1.52939
-18	164	-1.01652
-16	164	-0.612869
-14	164	-0.299451
-12	164	-0.0618544
-10	164	0.115531
-8	164	0.243576
-6	164	0.329537
-4	164	0.379283
-2	164	0.397397
0	164	0.385074
2	164	0.339201
4	164	0.258426
6	164	0.136998
8	164	-0.0343972
10	164	-0.266704
12	164	-0.572574
14	164	-0.968778
16	164	-1.47742
18	164	-2.11925
20	164	-2.91727
22	164	-3.88764
24	164	-5.016
26	164	-6.19236
28	164	-7.10695
30	164	-7.25973
32	164	-6.43392
34	164	-5.01575
36	164	-3.49882
38	164	-2.14751
40	164	-1.05941
42	164	-0.26352
44	164	0.226124
46	164	0.390836
48	164	0.200275
50	164	-0.399653
52	164	-1.49816
54	164	-3.25397
56	164	-5.93785
58	164	-9.76803
60	164	-11.9531
62	164	-8.39814
64	164	-4.79979
66	164	-2.39652
68	164	-0.907374
70	164	-0.135575
72	164	-0.00646937
74	164	-0.529372
76	164	-1.81114
78	164	-4.13901
80	164	-8.30712
82	164	-17.038
84	164	-13.6742
86	164	-6.7682
88	164	-3.28508
90	164	-1.32653
92	164	-0.322397
94	164	-0.0713236
96	164	-0.521133
98	164	-1.73019
100	164	-3.90661
102	164	-7.55759
104	164	-13.2183
106	164	-12.2538
108	164	-6.89143
110	164	-3.57968
112	164	-1.58139
114	164	-0.431285
116	164	0.0827436
118	164	0.0597362
120	164	-0.463428
122	164	-1.48936
124	164	-3.05398
126	164	-5.16892
128	164	-7.54019
130	164	-8.76992
132	164	-7.53735

134	164	-5.33022
136	164	-3.38419
138	164	-1.90644
140	164	-0.841442
142	164	-0.110207
144	164	0.349784
146	164	0.589318
148	164	0.646942
150	164	0.554042
152	164	0.337121
154	164	0.0217843
156	164	-0.369468
158	164	-0.813868
160	164	-1.28991
162	164	-1.77435
164	164	-2.24514
166	164	-2.68278
168	164	-3.0724
170	164	-3.40069
172	164	-3.66046
174	164	-3.84924
176	164	-3.96646
178	164	-4.01174
180	164	-3.98504
-180	166	0.575018
-178	166	0.586693
-176	166	0.604021
-174	166	0.622814
-172	166	0.637244
-170	166	0.638466
-168	166	0.618554
-166	166	0.566646
-164	166	0.469944
-162	166	0.31232
-160	166	0.0773223
-158	166	-0.255368
-156	166	-0.710469
-154	166	-1.31905
-152	166	-2.11834
-150	166	-3.15295
-148	166	-4.47213
-146	166	-6.10118
-144	166	-7.91786
-142	166	-9.28811
-140	166	-9.06869
-138	166	-7.3409
-136	166	-5.27191
-134	166	-3.45643
-132	166	-2.02378
-130	166	-0.968946
-128	166	-0.270565
-126	166	0.0819088
-124	166	0.082918
-122	166	-0.297909
-120	166	-1.12466
-118	166	-2.51449
-116	166	-4.69573
-114	166	-8.15062
-112	166	-13.6872
-110	166	-14.593
-108	166	-8.74907
-106	166	-4.96999
-104	166	-2.61092
-102	166	-1.14615
-100	166	-0.342482
-98	166	-0.10053
-96	166	-0.395791
-94	166	-1.27588
-92	166	-2.87624
-90	166	-5.52006
-88	166	-10.0678
-86	166	-18.5817
-84	166	-13.2862
-82	166	-7.24928
-80	166	-3.94659
-78	166	-1.94497
-76	166	-0.750972
-74	166	-0.15565
-72	166	-0.0626602
-70	166	-0.440174
-68	166	-1.30263
-66	166	-2.70968
-64	166	-4.77365
-62	166	-7.60728
-60	166	-10.6847
-58	166	-10.8719
-56	166	-7.98621
-54	166	-5.23367
-52	166	-3.20609
-50	166	-1.77088
-48	166	-0.7843
-46	166	-0.147565
-44	166	0.205025
-42	166	0.320911
-40	166	0.231768
-38	166	-0.037483
-36	166	-0.466461
-34	166	-1.03698
-32	166	-1.73091
-30	166	-2.52382

-28	166	-3.3851
-26	166	-4.27518
-24	166	-5.13951
-22	166	-5.91138
-20	166	-6.52306
-18	166	-6.92901
-16	166	-7.12457
-14	166	-7.14757
-12	166	-7.05493
-10	166	-6.90639
-8	166	-6.75001
-6	166	-6.62155
-4	166	-6.53907
-2	166	-6.51367
0	166	-6.54932
2	166	-6.64633
4	166	-6.79311
6	166	-6.97099
8	166	-7.1484
10	166	-7.27922
12	166	-7.29904
14	166	-7.14254
16	166	-6.76512
18	166	-6.16599
20	166	-5.38919
22	166	-4.50555
24	166	-3.5874
26	166	-2.69443
28	166	-1.87031
30	166	-1.14579
32	166	-0.542253
34	166	-0.0791354
36	166	0.224137
38	166	0.348478
40	166	0.27008
42	166	-0.0426545
44	166	-0.63386
46	166	-1.56735
48	166	-2.94373
50	166	-4.91721
52	166	-7.69549
54	166	-11.0777
56	166	-11.8107
58	166	-8.53206
60	166	-5.36041
62	166	-3.08244
64	166	-1.53158
66	166	-0.556263
68	166	-0.0805771
70	166	-0.0800357
72	166	-0.576359
74	166	-1.64809
76	166	-3.47616
78	166	-6.48658
80	166	-11.9117
82	166	-20.8669
84	166	-11.5131
86	166	-6.25449
88	166	-3.31424
90	166	-1.53921
92	166	-0.528243
94	166	-0.120859
96	166	-0.256464
98	166	-0.942
100	166	-2.25066
102	166	-4.37047
104	166	-7.69783
106	166	-12.7197
108	166	-13.8946
110	166	-8.79772
112	166	-5.1686
114	166	-2.84657
116	166	-1.35207
118	166	-0.439714
120	166	0.0160244
122	166	0.0836805
124	166	-0.202188
126	166	-0.827203
128	166	-1.79459
130	166	-3.11882
132	166	-4.7968
134	166	-6.71832
136	166	-8.40723
138	166	-8.88195
140	166	-7.83979
142	166	-6.18316
144	166	-4.60007
146	166	-3.2829
148	166	-2.23704
150	166	-1.42221
152	166	-0.796771
154	166	-0.325126
156	166	0.0217633
158	166	0.268324
160	166	0.43598
162	166	0.542197
164	166	0.601789
166	166	0.626614
168	166	0.629028
170	166	0.618373

172	166	0.602288
174	166	0.585544
176	166	0.573905
178	166	0.570058
180	166	0.575018
-180	168	-2.57631
-178	168	-2.66321
-176	168	-2.81285
-174	168	-3.03019
-172	168	-3.32227
-170	168	-3.69873
-168	168	-4.17155
-166	168	-4.75204
-164	168	-5.45204
-162	168	-6.27707
-160	168	-7.21302
-158	168	-8.19345
-156	168	-9.04324
-154	168	-9.45298
-152	168	-9.13747
-150	168	-8.13553
-148	168	-6.76978
-146	168	-5.34031
-144	168	-4.00886
-142	168	-2.84352
-140	168	-1.86594
-138	168	-1.08187
-136	168	-0.493573
-134	168	-0.104466
-132	168	0.0773219
-130	168	0.0392565
-128	168	-0.245004
-126	168	-0.8131
-124	168	-1.72471
-122	168	-3.07899
-120	168	-5.04863
-118	168	-7.96452
-116	168	-12.4146
-114	168	-16.3168
-112	168	-11.8233
-110	168	-7.44952
-108	168	-4.57326
-106	168	-2.63738
-104	168	-1.34452
-102	168	-0.547683
-100	168	-0.175309
-98	168	-0.197973
-96	168	-0.626078
-94	168	-1.50639
-92	168	-2.94273
-90	168	-5.15288
-88	168	-8.63964
-86	168	-14.8306
-84	168	-19.1502
-82	168	-11.1059
-80	168	-6.65421
-78	168	-3.95481
-76	168	-2.19727
-74	168	-1.05834
-72	168	-0.384058
-70	168	-0.0940225
-68	168	-0.14623
-66	168	-0.528865
-64	168	-1.24907
-62	168	-2.33568
-60	168	-3.84182
-58	168	-5.83631
-56	168	-8.33831
-54	168	-10.8471
-52	168	-11.4058
-50	168	-9.42495
-48	168	-7.00295
-46	168	-5.00175
-44	168	-3.46067
-42	168	-2.29104
-40	168	-1.41253
-38	168	-0.764066
-36	168	-0.300584
-34	168	0.0118047
-32	168	0.200641
-30	168	0.287254
-28	168	0.288789
-26	168	0.221938
-24	168	0.101368
-22	168	-0.0596302
-20	168	-0.248605
-18	168	-0.454481
-16	168	-0.666071
-14	168	-0.872784
-12	168	-1.06534
-10	168	-1.23548
-8	168	-1.37689
-6	168	-1.48343
-4	168	-1.55069
-2	168	-1.57597
0	168	-1.55824
2	168	-1.499
4	168	-1.39956
6	168	-1.26378
8	168	-1.09704

10	168	-0.906335
12	168	-0.700175
14	168	-0.487128
16	168	-0.27733
18	168	-0.0817504
20	168	0.0875907
22	168	0.218015
24	168	0.29681
26	168	0.309586
28	168	0.240419
30	168	0.0710161
32	168	-0.220684
34	168	-0.65967
36	168	-1.27907
38	168	-2.12419
40	168	-3.25647
42	168	-4.76274
44	168	-6.75658
46	168	-9.30024
48	168	-11.8108
50	168	-11.8326
52	168	-9.19339
54	168	-6.43309
56	168	-4.25286
58	168	-2.62004
60	168	-1.43817
62	168	-0.637204
64	168	-0.182661
66	168	-0.0612466
68	168	-0.281752
70	168	-0.878135
72	168	-1.91865
74	168	-3.54153
76	168	-6.02985
78	168	-10.0826
80	168	-17.9329
82	168	-17.1895
84	168	-9.68902
86	168	-5.76084
88	168	-3.33363
90	168	-1.75978
92	168	-0.77395
94	168	-0.256748
96	168	-0.151413
98	168	-0.441753
100	168	-1.14499
102	168	-2.3165
104	168	-4.07874
106	168	-6.66351
108	168	-10.4671
110	168	-14.8222
112	168	-12.8476
114	168	-8.50627
116	168	-5.46309
118	168	-3.38713
120	168	-1.95173
122	168	-0.973192
124	168	-0.348473
126	168	-0.0147108
128	168	0.0690213
130	168	-0.0712605
132	168	-0.41903
134	168	-0.961751
136	168	-1.69615
138	168	-2.61824
140	168	-3.72128
142	168	-4.98333
144	168	-6.34442
146	168	-7.66425
148	168	-8.68288
150	168	-9.10502
152	168	-8.84627
154	168	-8.11904
156	168	-7.2117
158	168	-6.31098
160	168	-5.49921
162	168	-4.80233
164	168	-4.21993
166	168	-3.7424
168	168	-3.35869
170	168	-3.05844
172	168	-2.83404
174	168	-2.67781
176	168	-2.58442
178	168	-2.55092
180	168	-2.57631
-180	170	-7.06474
-178	170	-6.96598
-176	170	-6.79227
-174	170	-6.54409
-172	170	-6.22371
-170	170	-5.83609
-168	170	-5.38926
-166	170	-4.89424
-164	170	-4.36357
-162	170	-3.81146
-160	170	-3.25233
-158	170	-2.70017
-156	170	-2.16831
-154	170	-1.66912

-152	170	-1.21345
-150	170	-0.811747
-148	170	-0.474023
-146	170	-0.210254
-144	170	-0.0307872
-142	170	0.053659
-140	170	0.0300069
-138	170	-0.117452
-136	170	-0.407697
-134	170	-0.865294
-132	170	-1.52351
-130	170	-2.4296
-128	170	-3.65436
-126	170	-5.31077
-124	170	-7.59188
-122	170	-10.8256
-120	170	-15.104
-118	170	-15.8364
-116	170	-11.4839
-114	170	-7.87909
-112	170	-5.32625
-110	170	-3.48408
-108	170	-2.14586
-106	170	-1.19692
-104	170	-0.573003
-102	170	-0.23944
-100	170	-0.179307
-98	170	-0.395781
-96	170	-0.907458
-94	170	-1.75372
-92	170	-3.00748
-90	170	-4.80397
-88	170	-7.41278
-86	170	-11.4801
-84	170	-18.5978
-82	170	-17.8893
-80	170	-11.1183
-78	170	-7.25135
-76	170	-4.75241
-74	170	-3.025
-72	170	-1.80917
-70	170	-0.971841
-68	170	-0.43745
-66	170	-0.160318
-64	170	-0.111295
-62	170	-0.276936
-60	170	-0.650773
-58	170	-1.23414
-56	170	-2.03594
-54	170	-3.07283
-52	170	-4.36748
-50	170	-5.94484
-48	170	-7.80407
-46	170	-9.81032
-44	170	-11.4237
-42	170	-11.6885
-40	170	-10.5072
-38	170	-8.80793
-36	170	-7.19381
-34	170	-5.82278
-32	170	-4.69368
-30	170	-3.77165
-28	170	-3.02
-26	170	-2.40778
-24	170	-1.90979
-22	170	-1.50656
-20	170	-1.18133
-18	170	-0.920397
-16	170	-0.712761
-14	170	-0.549268
-12	170	-0.422465
-10	170	-0.326933
-8	170	-0.257332
-6	170	-0.209677
-4	170	-0.181286
-2	170	-0.170551
0	170	-0.176886
2	170	-0.201709
4	170	-0.245493
6	170	-0.310703
8	170	-0.400964
10	170	-0.520949
12	170	-0.676945
14	170	-0.876737
16	170	-1.12854
18	170	-1.44321
20	170	-1.83394
22	170	-2.31698
24	170	-2.91291
26	170	-3.64764
28	170	-4.55266
30	170	-5.66804
32	170	-7.03884
34	170	-8.69275
36	170	-10.5409
38	170	-12.0647
40	170	-12.1435
42	170	-10.5557
44	170	-8.41004
46	170	-6.41014

48	170	-4.72239
50	170	-3.34365
52	170	-2.2407
54	170	-1.38253
56	170	-0.748431
58	170	-0.327639
60	170	-0.11646
62	170	-0.119215
64	170	-0.349124
66	170	-0.830759
68	170	-1.60336
70	170	-2.73711
72	170	-4.35209
74	170	-6.6787
76	170	-10.2401
78	170	-16.5692
80	170	-21.5233
82	170	-12.8093
84	170	-8.15737
86	170	-5.28872
88	170	-3.34358
90	170	-1.98839
92	170	-1.06181
94	170	-0.482574
96	170	-0.204969
98	170	-0.206566
100	170	-0.482082
102	170	-1.04139
104	170	-1.91129
106	170	-3.14802
108	170	-4.8462
110	170	-7.16895
112	170	-10.3643
114	170	-14.2697
116	170	-14.9221
118	170	-11.2745
120	170	-8.01324
122	170	-5.64788
124	170	-3.91914
126	170	-2.6369
128	170	-1.68397
130	170	-0.986344
132	170	-0.495095
134	170	-0.175484
136	170	-0.00191874
138	170	0.0452871
140	170	-0.0180793
142	170	-0.1788
144	170	-0.424967
146	170	-0.74589
148	170	-1.13214
150	170	-1.57369
152	170	-2.06034
154	170	-2.58109
156	170	-3.1242
158	170	-3.67744
160	170	-4.22703
162	170	-4.75875
164	170	-5.25883
166	170	-5.71449
168	170	-6.11488
170	170	-6.45225
172	170	-6.72083
174	170	-6.91731
176	170	-7.04038
178	170	-7.08962
180	170	-7.06474
-180	172	-0.144857
-178	172	-0.133122
-176	172	-0.113864
-174	172	-0.0886031
-172	172	-0.0595234
-170	172	-0.0293931
-168	172	-0.00154919
-166	172	0.0200848
-164	172	0.0305225
-162	172	0.0251615
-160	172	-0.00146214
-158	172	-0.0555351
-156	172	-0.14394
-154	172	-0.274361
-152	172	-0.455524
-150	172	-0.697497
-148	172	-1.01258
-146	172	-1.41423
-144	172	-1.91984
-142	172	-2.55151
-140	172	-3.33837
-138	172	-4.32004
-136	172	-5.55343
-134	172	-7.12427
-132	172	-9.16166
-130	172	-11.8379
-128	172	-15.0813
-126	172	-16.6639
-124	172	-14.0448
-122	172	-10.6946
-120	172	-8.02233
-118	172	-5.96118
-116	172	-4.35424

-114	172	-3.09167
-112	172	-2.10389
-110	172	-1.34672
-108	172	-0.792161
-106	172	-0.422984
-104	172	-0.229319
-102	172	-0.207239
-100	172	-0.361429
-98	172	-0.701328
-96	172	-1.24423
-94	172	-2.0184
-92	172	-3.06911
-90	172	-4.47072
-88	172	-6.35078
-86	172	-8.96236
-84	172	-12.8669
-82	172	-19.3248
-80	172	-20.1069
-78	172	-13.4331
-76	172	-9.39907
-74	172	-6.7375
-72	172	-4.83414
-70	172	-3.41734
-68	172	-2.34636
-66	172	-1.53947
-64	172	-0.94525
-62	172	-0.529374
-60	172	-0.267915
-58	172	-0.141932
-56	172	-0.140476
-54	172	-0.254303
-52	172	-0.476548
-50	172	-0.80219
-48	172	-1.22782
-46	172	-1.75138
-44	172	-2.37108
-42	172	-3.08599
-40	172	-3.89388
-38	172	-4.7933
-36	172	-5.78007
-34	172	-6.84352
-32	172	-7.96168
-30	172	-9.09329
-28	172	-10.1692
-26	172	-11.0875
-24	172	-11.7359
-22	172	-12.0413
-20	172	-12.0155
-18	172	-11.7469
-16	172	-11.3471
-14	172	-10.9082
-12	172	-10.491
-10	172	-10.1281
-8	172	-9.83678
-6	172	-9.62501
-4	172	-9.49615
-2	172	-9.45157
0	172	-9.49187
2	172	-9.61874
4	172	-9.83066
6	172	-10.1258
8	172	-10.4986
10	172	-10.9352
12	172	-11.4066
14	172	-11.8576
16	172	-12.1985
18	172	-12.3086
20	172	-12.0792
22	172	-11.477
24	172	-10.5687
26	172	-9.47541
28	172	-8.31122
30	172	-7.15554
32	172	-6.05487
34	172	-5.03314
36	172	-4.10154
38	172	-3.26461
40	172	-2.524
42	172	-1.87959
44	172	-1.33131
46	172	-0.88131
48	172	-0.531492
50	172	-0.285218
52	172	-0.146837
54	172	-0.122627
56	172	-0.221299
58	172	-0.45467
60	172	-0.838776
62	172	-1.39439
64	172	-2.15525
66	172	-3.16889
68	172	-4.51028
70	172	-6.3071
72	172	-8.80291
74	172	-12.5504
76	172	-19.0935
78	172	-22.1043
80	172	-14.1673
82	172	-9.71893
84	172	-6.86117

86	172	-4.839
88	172	-3.34441
90	172	-2.22532
92	172	-1.39473
94	172	-0.804022
96	172	-0.42157
98	172	-0.227822
100	172	-0.211654
102	172	-0.368513
104	172	-0.699774
106	172	-1.21122
108	172	-1.9186
110	172	-2.84679
112	172	-4.03373
114	172	-5.53792
116	172	-7.44824
118	172	-9.88547
120	172	-12.8911
122	172	-15.5495
124	172	-14.9803
126	172	-12.1405
128	172	-9.49069
130	172	-7.41123
132	172	-5.7936
134	172	-4.51963
136	172	-3.50451
138	172	-2.69018
140	172	-2.03493
142	172	-1.50902
144	172	-1.09001
146	172	-0.760067
148	172	-0.504735
150	172	-0.312006
152	172	-0.17219
154	172	-0.0759332
156	172	-0.0153417
158	172	0.016571
160	172	0.0261076
162	172	0.018914
164	172	9.93E-05
166	172	-0.0259174
168	172	-0.0555019
170	172	-0.0847022
172	172	-0.110609
174	172	-0.130928
176	172	-0.143998
178	172	-0.148774
180	172	-0.144857
-180	174	-3.1574
-178	174	-3.20422
-176	174	-3.28513
-174	174	-3.40183
-172	174	-3.55672
-170	174	-3.75308
-168	174	-3.99519
-166	174	-4.28838
-164	174	-4.63944
-162	174	-5.05682
-160	174	-5.55136
-158	174	-6.13683
-156	174	-6.83001
-154	174	-7.65318
-152	174	-8.63502
-150	174	-9.81195
-148	174	-11.2255
-146	174	-12.9039
-144	174	-14.7751
-142	174	-16.3847
-140	174	-16.6535
-138	174	-15.1821
-136	174	-13.0054
-134	174	-10.8937
-132	174	-9.0468
-130	174	-7.46547
-128	174	-6.11455
-126	174	-4.95759
-124	174	-3.96546
-122	174	-3.11625
-120	174	-2.39364
-118	174	-1.78574
-116	174	-1.28395
-114	174	-0.882197
-112	174	-0.576533
-110	174	-0.364678
-108	174	-0.244729
-106	174	-0.218282
-104	174	-0.288032
-102	174	-0.457958
-100	174	-0.733992
-98	174	-1.12459
-96	174	-1.64149
-94	174	-2.30106
-92	174	-3.12645
-90	174	-4.15127
-88	174	-5.42459
-86	174	-7.02931
-84	174	-9.10532
-82	174	-11.9198
-80	174	-16.0434
-78	174	-22.1202

-76	174	-20.7231
-74	174	-15.0583
-72	174	-11.3828
-70	174	-8.83923
-68	174	-6.94812
-66	174	-5.48036
-64	174	-4.31152
-62	174	-3.36709
-60	174	-2.59889
-58	174	-1.97386
-56	174	-1.46818
-54	174	-1.064
-52	174	-0.747459
-50	174	-0.507421
-48	174	-0.334647
-46	174	-0.220371
-44	174	-0.158928
-42	174	-0.144334
-40	174	-0.171458
-38	174	-0.235023
-36	174	-0.330209
-34	174	-0.45246
-32	174	-0.597349
-30	174	-0.760515
-28	174	-0.937677
-26	174	-1.12457
-24	174	-1.31698
-22	174	-1.51072
-20	174	-1.70165
-18	174	-1.88607
-16	174	-2.05994
-14	174	-2.21951
-12	174	-2.3614
-10	174	-2.48255
-8	174	-2.5804
-6	174	-2.65283
-4	174	-2.69823
-2	174	-2.71557
0	174	-2.70451
2	174	-2.66563
4	174	-2.5994
6	174	-2.50724
8	174	-2.39114
10	174	-2.25362
12	174	-2.09759
14	174	-1.92636
16	174	-1.74354
18	174	-1.55296
20	174	-1.35876
22	174	-1.16517
24	174	-0.97615
26	174	-0.795938
28	174	-0.628819
30	174	-0.479061
32	174	-0.35104
34	174	-0.249171
36	174	-0.178007
38	174	-0.142255
40	174	-0.146911
42	174	-0.197375
44	174	-0.299776
46	174	-0.460386
48	174	-0.686741
50	174	-0.986623
52	174	-1.37174
54	174	-1.85542
56	174	-2.45468
58	174	-3.19206
60	174	-4.09864
62	174	-5.2194
64	174	-6.62337
66	174	-8.4249
68	174	-10.8345
70	174	-14.2997
72	174	-19.9185
74	174	-24.6899
76	174	-17.5341
78	174	-12.7765
80	174	-9.68506
82	174	-7.45648
84	174	-5.75418
86	174	-4.41191
88	174	-3.33651
90	174	-2.47095
92	174	-1.77641
94	174	-1.2293
96	174	-0.811798
98	174	-0.511211
100	174	-0.318372
102	174	-0.226791
104	174	-0.23204
106	174	-0.331412
108	174	-0.523793
110	174	-0.809021
112	174	-1.18805
114	174	-1.66555
116	174	-2.24689
118	174	-2.9397
120	174	-3.75463
122	174	-4.70599

124	174	-5.81294
126	174	-7.10039
128	174	-8.59855
130	174	-10.3362
132	174	-12.3085
134	174	-14.3586
136	174	-15.9076
138	174	-16.0332
140	174	-14.7695
142	174	-13.0417
144	174	-11.4004
146	174	-9.98487
148	174	-8.79365
150	174	-7.79446
152	174	-6.95421
154	174	-6.24523
156	174	-5.64553
158	174	-5.13779
160	174	-4.7084
162	174	-4.34691
164	174	-4.04447
166	174	-3.79397
168	174	-3.58988
170	174	-3.42784
172	174	-3.30443
174	174	-3.21711
176	174	-3.16409
178	174	-3.14432
180	174	-3.1574
-180	176	-10.5179
-178	176	-10.4369
-176	176	-10.2975
-174	176	-10.1019
-172	176	-9.85364
-170	176	-9.55696
-168	176	-9.21691
-166	176	-8.83912
-164	176	-8.42962
-162	176	-7.99449
-160	176	-7.53981
-158	176	-7.07143
-156	176	-6.59482
-154	176	-6.11498
-152	176	-5.63648
-150	176	-5.16336
-148	176	-4.69938
-146	176	-4.2475
-144	176	-3.81051
-142	176	-3.39079
-140	176	-2.99045
-138	176	-2.61138
-136	176	-2.25525
-134	176	-1.92358
-132	176	-1.61776
-130	176	-1.33909
-128	176	-1.0888
-126	176	-0.868111
-124	176	-0.678205
-122	176	-0.520286
-120	176	-0.395562
-118	176	-0.304355
-116	176	-0.249015
-114	176	-0.231038
-112	176	-0.252047
-110	176	-0.313849
-108	176	-0.418464
-106	176	-0.568207
-104	176	-0.765745
-102	176	-1.01418
-100	176	-1.31718
-98	176	-1.67913
-96	176	-2.10537
-94	176	-2.60246
-92	176	-3.1786
-90	176	-3.84431
-88	176	-4.6121
-86	176	-5.50139
-84	176	-6.53739
-82	176	-7.75609
-80	176	-9.21117
-78	176	-10.9872
-76	176	-13.226
-74	176	-16.1804
-72	176	-20.2476
-70	176	-24.4174
-68	176	-21.948
-66	176	-17.6106
-64	176	-14.4514
-62	176	-12.1259
-60	176	-10.3274
-58	176	-8.88303
-56	176	-7.69274
-54	176	-6.69351
-52	176	-5.84345
-50	176	-5.11333
-48	176	-4.48187
-46	176	-3.93307
-44	176	-3.45452
-42	176	-3.03638
-40	176	-2.67064

-38	176	-2.35069
-36	176	-2.07096
-34	176	-1.82671
-32	176	-1.61384
-30	176	-1.42877
-28	176	-1.26864
-26	176	-1.13039
-24	176	-1.01156
-22	176	-0.909948
-20	176	-0.82361
-18	176	-0.750799
-16	176	-0.689987
-14	176	-0.639845
-12	176	-0.599227
-10	176	-0.567167
-8	176	-0.542862
-6	176	-0.525711
-4	176	-0.515259
-2	176	-0.511229
0	176	-0.513519
2	176	-0.522522
4	176	-0.538146
6	176	-0.560815
8	176	-0.591105
10	176	-0.629758
12	176	-0.677723
14	176	-0.7361
16	176	-0.806185
18	176	-0.88947
20	176	-0.98764
22	176	-1.10261
24	176	-1.23653
26	176	-1.39181
28	176	-1.57117
30	176	-1.77768
32	176	-2.01512
34	176	-2.28717
36	176	-2.59846
38	176	-2.9544
40	176	-3.36137
42	176	-3.8271
44	176	-4.36108
46	176	-4.97519
48	176	-5.68473
50	176	-6.50997
52	176	-7.47865
54	176	-8.63036
56	176	-10.0245
58	176	-11.7561
60	176	-13.9898
62	176	-17.0371
64	176	-21.4764
66	176	-25.967
68	176	-21.8857
70	176	-17.1612
72	176	-13.8903
74	176	-11.4801
76	176	-9.5982
78	176	-8.07103
80	176	-6.79976
82	176	-5.72338
84	176	-4.80182
86	176	-4.0074
88	176	-3.32028
90	176	-2.72573
92	176	-2.21142
94	176	-1.76976
96	176	-1.39382
98	176	-1.07799
100	176	-0.817669
102	176	-0.609033
104	176	-0.448847
106	176	-0.334345
108	176	-0.263139
110	176	-0.233134
112	176	-0.242475
114	176	-0.289495
116	176	-0.372663
118	176	-0.490585
120	176	-0.641952
122	176	-0.824498
124	176	-1.03802
126	176	-1.28132
128	176	-1.5532
130	176	-1.85242
132	176	-2.17768
134	176	-2.52762
136	176	-2.90076
138	176	-3.29543
140	176	-3.70982
142	176	-4.14187
144	176	-4.58922
146	176	-5.04924
148	176	-5.51889
150	176	-5.99472
152	176	-6.4731
154	176	-6.94938
156	176	-7.41874
158	176	-7.87586
160	176	-8.31511

162	176	-8.73056
164	176	-9.11619
166	176	-9.46601
168	176	-9.77438
170	176	-10.0361
172	176	-10.2467
174	176	-10.4024
176	176	-10.5006
178	176	-10.5393
180	176	-10.5179
-180	178	-0.514847
-178	178	-0.511045
-176	178	-0.504517
-174	178	-0.495377
-172	178	-0.483781
-170	178	-0.469947
-168	178	-0.454095
-166	178	-0.436528
-164	178	-0.417565
-162	178	-0.397572
-160	178	-0.376937
-158	178	-0.356092
-156	178	-0.335492
-154	178	-0.315616
-152	178	-0.29696
-150	178	-0.280053
-148	178	-0.265432
-146	178	-0.253646
-144	178	-0.245264
-142	178	-0.240864
-140	178	-0.241029
-138	178	-0.246349
-136	178	-0.257427
-134	178	-0.274853
-132	178	-0.29923
-130	178	-0.331174
-128	178	-0.371285
-126	178	-0.420181
-124	178	-0.478472
-122	178	-0.546774
-120	178	-0.625703
-118	178	-0.715892
-116	178	-0.817977
-114	178	-0.932587
-112	178	-1.06039
-110	178	-1.20206
-108	178	-1.35827
-106	178	-1.52974
-104	178	-1.71721
-102	178	-1.92145
-100	178	-2.14329
-98	178	-2.38357
-96	178	-2.64323
-94	178	-2.92327
-92	178	-3.22474
-90	178	-3.54884
-88	178	-3.89632
-86	178	-4.26915
-84	178	-4.66897
-82	178	-5.0976
-80	178	-5.55715
-78	178	-6.04999
-76	178	-6.5789
-74	178	-7.14714
-72	178	-7.75853
-70	178	-8.41769
-68	178	-9.13013
-66	178	-9.90254
-64	178	-10.7433
-62	178	-11.6627
-60	178	-12.674
-58	178	-13.7937
-56	178	-15.0433
-54	178	-16.4498
-52	178	-18.0451
-50	178	-19.8588
-48	178	-21.884
-46	178	-23.9548
-44	178	-25.4709
-42	178	-25.5297
-40	178	-24.2258
-38	178	-22.4816
-36	178	-20.8238
-34	178	-19.3839
-32	178	-18.1595
-30	178	-17.1202
-28	178	-16.2345
-26	178	-15.4765
-24	178	-14.8258
-22	178	-14.2665
-20	178	-13.7863
-18	178	-13.3756
-16	178	-13.0268
-14	178	-12.734
-12	178	-12.4926
-10	178	-12.2989
-8	178	-12.15
-6	178	-12.044
-4	178	-11.9795
-2	178	-11.9555

0	178	-11.9718
2	178	-12.0287
4	178	-12.127
6	178	-12.2678
8	178	-12.4532
10	178	-12.6859
12	178	-12.9693
14	178	-13.308
16	178	-13.7078
18	178	-14.176
20	178	-14.7222
22	178	-15.3584
24	178	-16.1005
26	178	-16.969
28	178	-17.991
30	178	-19.2008
32	178	-20.6384
34	178	-22.3315
36	178	-24.2157
38	178	-25.8661
40	178	-26.2271
42	178	-24.818
44	178	-22.6295
46	178	-20.464
48	178	-18.5396
50	178	-16.8623
52	178	-15.3947
54	178	-14.0985
56	178	-12.9422
58	178	-11.9016
60	178	-10.958
62	178	-10.0971
64	178	-9.30745
66	178	-8.58017
68	178	-7.90798
70	178	-7.28505
72	178	-6.70648
74	178	-6.16824
76	178	-5.66692
78	178	-5.1996
80	178	-4.76378
82	178	-4.35731
84	178	-3.97828
86	178	-3.62503
88	178	-3.29606
90	178	-2.99002
92	178	-2.70515
94	178	-2.44091
96	178	-2.19627
98	178	-1.97031
100	178	-1.76214
102	178	-1.57093
104	178	-1.3959
106	178	-1.2363
108	178	-1.09141
110	178	-0.960535
112	178	-0.843002
114	178	-0.738152
116	178	-0.645339
118	178	-0.563925
120	178	-0.493287
122	178	-0.43279
124	178	-0.381829
126	178	-0.339787
128	178	-0.306052
130	178	-0.280014
132	178	-0.261069
134	178	-0.248606
136	178	-0.242034
138	178	-0.240746
140	178	-0.244158
142	178	-0.251684
144	178	-0.262736
146	178	-0.276753
148	178	-0.293185
150	178	-0.311477
152	178	-0.33111
154	178	-0.351579
156	178	-0.372401
158	178	-0.393106
160	178	-0.413269
162	178	-0.432496
164	178	-0.450403
166	178	-0.466666
168	178	-0.480982
170	178	-0.493102
172	178	-0.502808
174	178	-0.509938
176	178	-0.514367
178	178	-0.516013
180	178	-0.514847
-180	180	-3.26426
-178	180	-3.26426
-176	180	-3.26426
-174	180	-3.26426
-172	180	-3.26426
-170	180	-3.26426
-168	180	-3.26426
-166	180	-3.26426
-164	180	-3.26426

-162	180	-3.26426
-160	180	-3.26426
-158	180	-3.26426
-156	180	-3.26426
-154	180	-3.26426
-152	180	-3.26426
-150	180	-3.26426
-148	180	-3.26426
-146	180	-3.26426
-144	180	-3.26426
-142	180	-3.26426
-140	180	-3.26426
-138	180	-3.26426
-136	180	-3.26426
-134	180	-3.26426
-132	180	-3.26426
-130	180	-3.26426
-128	180	-3.26426
-126	180	-3.26426
-124	180	-3.26426
-122	180	-3.26426
-120	180	-3.26426
-118	180	-3.26426
-116	180	-3.26426
-114	180	-3.26426
-112	180	-3.26426
-110	180	-3.26426
-108	180	-3.26426
-106	180	-3.26426
-104	180	-3.26426
-102	180	-3.26426
-100	180	-3.26426
-98	180	-3.26426
-96	180	-3.26426
-94	180	-3.26426
-92	180	-3.26426
-90	180	-3.26426
-88	180	-3.26426
-86	180	-3.26426
-84	180	-3.26426
-82	180	-3.26426
-80	180	-3.26426
-78	180	-3.26426
-76	180	-3.26426
-74	180	-3.26426
-72	180	-3.26426
-70	180	-3.26426
-68	180	-3.26426
-66	180	-3.26426
-64	180	-3.26426
-62	180	-3.26426
-60	180	-3.26426
-58	180	-3.26426
-56	180	-3.26426
-54	180	-3.26426
-52	180	-3.26426
-50	180	-3.26426
-48	180	-3.26426
-46	180	-3.26426
-44	180	-3.26426
-42	180	-3.26426
-40	180	-3.26426
-38	180	-3.26426
-36	180	-3.26426
-34	180	-3.26426
-32	180	-3.26426
-30	180	-3.26426
-28	180	-3.26426
-26	180	-3.26426
-24	180	-3.26426
-22	180	-3.26426
-20	180	-3.26426
-18	180	-3.26426
-16	180	-3.26426
-14	180	-3.26426
-12	180	-3.26426
-10	180	-3.26426
-8	180	-3.26426
-6	180	-3.26426
-4	180	-3.26426
-2	180	-3.26426
0	180	-3.26426
2	180	-3.26426
4	180	-3.26426
6	180	-3.26426
8	180	-3.26426
10	180	-3.26426
12	180	-3.26426
14	180	-3.26426
16	180	-3.26426
18	180	-3.26426
20	180	-3.26426
22	180	-3.26426
24	180	-3.26426
26	180	-3.26426
28	180	-3.26426
30	180	-3.26426
32	180	-3.26426
34	180	-3.26426
36	180	-3.26426

38	180	-3.26426
40	180	-3.26426
42	180	-3.26426
44	180	-3.26426
46	180	-3.26426
48	180	-3.26426
50	180	-3.26426
52	180	-3.26426
54	180	-3.26426
56	180	-3.26426
58	180	-3.26426
60	180	-3.26426
62	180	-3.26426
64	180	-3.26426
66	180	-3.26426
68	180	-3.26426
70	180	-3.26426
72	180	-3.26426
74	180	-3.26426
76	180	-3.26426
78	180	-3.26426
80	180	-3.26426
82	180	-3.26426
84	180	-3.26426
86	180	-3.26426
88	180	-3.26426
90	180	-3.26426
92	180	-3.26426
94	180	-3.26426
96	180	-3.26426
98	180	-3.26426
100	180	-3.26426
102	180	-3.26426
104	180	-3.26426
106	180	-3.26426
108	180	-3.26426
110	180	-3.26426
112	180	-3.26426
114	180	-3.26426
116	180	-3.26426
118	180	-3.26426
120	180	-3.26426
122	180	-3.26426
124	180	-3.26426
126	180	-3.26426
128	180	-3.26426
130	180	-3.26426
132	180	-3.26426
134	180	-3.26426
136	180	-3.26426
138	180	-3.26426
140	180	-3.26426
142	180	-3.26426
144	180	-3.26426
146	180	-3.26426
148	180	-3.26426
150	180	-3.26426
152	180	-3.26426
154	180	-3.26426
156	180	-3.26426
158	180	-3.26426
160	180	-3.26426
162	180	-3.26426
164	180	-3.26426
166	180	-3.26426
168	180	-3.26426
170	180	-3.26426
172	180	-3.26426
174	180	-3.26426
176	180	-3.26426
178	180	-3.26426
180	180	-3.26426

Phi[deg]	Theta[deg]	dB(GainTotal RHCP)
-180		0
-179		0
-178		0
-177	Pages 261-425	0
-176	Pages 426-1113	0
-175		0
-174		0
-173		0
-172		0
-171		0
-170		0
-169		0
-168		0
-167		0
-166		0
-165		0
-164		0
-163		0
-162		0
-161		0
-160		0
-159		0
-158		0
-157		0
-156		0
-155		0
-154		0
-153		0
-152		0
-151		0
-150		0
-149		0
-148		0
-147		0
-146		0
-145		0
-144		0
-143		0
-142		0
-141		0
-140		0
-139		0
-138		0
-137		0
-136		0
-135		0
-134		0
-133		0
-132		0
-131		0
-130		0
-129		0
-128		0
-127		0
-126		0
-125		0
-124		0
-123		0
-122		0
-121		0
-120		0
-119		0
-118		0
-117		0
-116		0
-115		0
-114		0
-113		0
-112		0
-111		0
-110		0
-109		0
-108		0
-107		0
-106		0
-105		0
-104		0
-103		0
-102		0
-101		0
-100		0
-99		0
-98		0
-97		0
-96		0
-95		0
-94		0
-93		0
-92		0
-91		0
-90		0
-89		0
-88		0
-87		0

OTM ANTENNA NOTES:

PHI AND THETA ARE ANGLES WITHIN THE OTM ANTENNA REFERENCE FRAME.

X, Y AND Z ARE DIRECTIONS IN CARTESIAN FRAMES

ANTENNA CARTESIAN FRAME DEFINED W.R.T. VEHICLE BODY FRAME BY DCM.

VEHICLE BODY FRAME Y AXIS IS ORIENTATED ALONG VEHICLE MAIN AXIS (CYLINDER AXIS).

VEHICLE BODY FRAME X AND Z AXES COLINEAR TO VEHICLE CYLINDER BASE PLANE. WITH Z AT VEHICLE DATUM.

ALL ANTENNAS ON PAYLOAD ARE RHCP.

Angle BODY to ANT 45 deg
 0.7854 rad

THE COORDINATES OF THE ANTENNA FRAME VECTORS IN THE BODY FRAME ARE THE FOLLOWING

	X_BODY	Y_BODY	Z_BODY
X_ANT	0.70711	0	0.70711
Y_ANT	0.70711	0	-0.70711
Z_ANT	0	1	0

-86	0	-26.2842
-85	0	-26.2842
-84	0	-26.2842
-83	0	-26.2842
-82	0	-26.2842
-81	0	-26.2842
-80	0	-26.2842
-79	0	-26.2842
-78	0	-26.2842
-77	0	-26.2842
-76	0	-26.2842
-75	0	-26.2842
-74	0	-26.2842
-73	0	-26.2842
-72	0	-26.2842
-71	0	-26.2842
-70	0	-26.2842
-69	0	-26.2842
-68	0	-26.2842
-67	0	-26.2842
-66	0	-26.2842
-65	0	-26.2842
-64	0	-26.2842
-63	0	-26.2842
-62	0	-26.2842
-61	0	-26.2842
-60	0	-26.2842
-59	0	-26.2842
-58	0	-26.2842
-57	0	-26.2842
-56	0	-26.2842
-55	0	-26.2842
-54	0	-26.2842
-53	0	-26.2842
-52	0	-26.2842
-51	0	-26.2842
-50	0	-26.2842
-49	0	-26.2842
-48	0	-26.2842
-47	0	-26.2842
-46	0	-26.2842
-45	0	-26.2842
-44	0	-26.2842
-43	0	-26.2842
-42	0	-26.2842
-41	0	-26.2842
-40	0	-26.2842
-39	0	-26.2842
-38	0	-26.2842
-37	0	-26.2842
-36	0	-26.2842
-35	0	-26.2842
-34	0	-26.2842
-33	0	-26.2842
-32	0	-26.2842
-31	0	-26.2842
-30	0	-26.2842
-29	0	-26.2842
-28	0	-26.2842
-27	0	-26.2842
-26	0	-26.2842
-25	0	-26.2842
-24	0	-26.2842
-23	0	-26.2842
-22	0	-26.2842
-21	0	-26.2842
-20	0	-26.2842
-19	0	-26.2842
-18	0	-26.2842
-17	0	-26.2842
-16	0	-26.2842
-15	0	-26.2842
-14	0	-26.2842
-13	0	-26.2842
-12	0	-26.2842
-11	0	-26.2842
-10	0	-26.2842
-9	0	-26.2842
-8	0	-26.2842
-7	0	-26.2842
-6	0	-26.2842
-5	0	-26.2842
-4	0	-26.2842
-3	0	-26.2842
-2	0	-26.2842
-1	0	-26.2842
0	0	-26.2842
1	0	-26.2842
2	0	-26.2842
3	0	-26.2842
4	0	-26.2842
5	0	-26.2842
6	0	-26.2842
7	0	-26.2842
8	0	-26.2842

9	0	-26.2842
10	0	-26.2842
11	0	-26.2842
12	0	-26.2842
13	0	-26.2842
14	0	-26.2842
15	0	-26.2842
16	0	-26.2842
17	0	-26.2842
18	0	-26.2842
19	0	-26.2842
20	0	-26.2842
21	0	-26.2842
22	0	-26.2842
23	0	-26.2842
24	0	-26.2842
25	0	-26.2842
26	0	-26.2842
27	0	-26.2842
28	0	-26.2842
29	0	-26.2842
30	0	-26.2842
31	0	-26.2842
32	0	-26.2842
33	0	-26.2842
34	0	-26.2842
35	0	-26.2842
36	0	-26.2842
37	0	-26.2842
38	0	-26.2842
39	0	-26.2842
40	0	-26.2842
41	0	-26.2842
42	0	-26.2842
43	0	-26.2842
44	0	-26.2842
45	0	-26.2842
46	0	-26.2842
47	0	-26.2842
48	0	-26.2842
49	0	-26.2842
50	0	-26.2842
51	0	-26.2842
52	0	-26.2842
53	0	-26.2842
54	0	-26.2842
55	0	-26.2842
56	0	-26.2842
57	0	-26.2842
58	0	-26.2842
59	0	-26.2842
60	0	-26.2842
61	0	-26.2842
62	0	-26.2842
63	0	-26.2842
64	0	-26.2842
65	0	-26.2842
66	0	-26.2842
67	0	-26.2842
68	0	-26.2842
69	0	-26.2842
70	0	-26.2842
71	0	-26.2842
72	0	-26.2842
73	0	-26.2842
74	0	-26.2842
75	0	-26.2842
76	0	-26.2842
77	0	-26.2842
78	0	-26.2842
79	0	-26.2842
80	0	-26.2842
81	0	-26.2842
82	0	-26.2842
83	0	-26.2842
84	0	-26.2842
85	0	-26.2842
86	0	-26.2842
87	0	-26.2842
88	0	-26.2842
89	0	-26.2842
90	0	-26.2842
91	0	-26.2842
92	0	-26.2842
93	0	-26.2842
94	0	-26.2842
95	0	-26.2842
96	0	-26.2842
97	0	-26.2842
98	0	-26.2842
99	0	-26.2842
100	0	-26.2842
101	0	-26.2842
102	0	-26.2842
103	0	-26.2842

104	0	-26.2842
105	0	-26.2842
106	0	-26.2842
107	0	-26.2842
108	0	-26.2842
109	0	-26.2842
110	0	-26.2842
111	0	-26.2842
112	0	-26.2842
113	0	-26.2842
114	0	-26.2842
115	0	-26.2842
116	0	-26.2842
117	0	-26.2842
118	0	-26.2842
119	0	-26.2842
120	0	-26.2842
121	0	-26.2842
122	0	-26.2842
123	0	-26.2842
124	0	-26.2842
125	0	-26.2842
126	0	-26.2842
127	0	-26.2842
128	0	-26.2842
129	0	-26.2842
130	0	-26.2842
131	0	-26.2842
132	0	-26.2842
133	0	-26.2842
134	0	-26.2842
135	0	-26.2842
136	0	-26.2842
137	0	-26.2842
138	0	-26.2842
139	0	-26.2842
140	0	-26.2842
141	0	-26.2842
142	0	-26.2842
143	0	-26.2842
144	0	-26.2842
145	0	-26.2842
146	0	-26.2842
147	0	-26.2842
148	0	-26.2842
149	0	-26.2842
150	0	-26.2842
151	0	-26.2842
152	0	-26.2842
153	0	-26.2842
154	0	-26.2842
155	0	-26.2842
156	0	-26.2842
157	0	-26.2842
158	0	-26.2842
159	0	-26.2842
160	0	-26.2842
161	0	-26.2842
162	0	-26.2842
163	0	-26.2842
164	0	-26.2842
165	0	-26.2842
166	0	-26.2842
167	0	-26.2842
168	0	-26.2842
169	0	-26.2842
170	0	-26.2842
171	0	-26.2842
172	0	-26.2842
173	0	-26.2842
174	0	-26.2842
175	0	-26.2842
176	0	-26.2842
177	0	-26.2842
178	0	-26.2842
179	0	-26.2842
180	0	-26.2842
-180	1	-7.3503
-179	1	-7.36404
-178	1	-7.36636
-177	1	-7.36991
-176	1	-7.37777
-175	1	-7.3738
-174	1	-7.37528
-173	1	-7.34896
-172	1	-7.35649
-171	1	-7.36579
-170	1	-7.41479
-169	1	-7.42403
-168	1	-7.43997
-167	1	-7.45614
-166	1	-7.47029
-165	1	-7.48881
-164	1	-7.50844
-163	1	-7.53011

-162	1	-7.55408
-161	1	-7.57761
-160	1	-7.60532
-159	1	-7.63634
-158	1	-7.66205
-157	1	-7.69719
-156	1	-7.73426
-155	1	-7.68694
-154	1	-7.73377
-153	1	-7.78244
-152	1	-7.83534
-151	1	-7.89274
-150	1	-7.95343
-149	1	-8.25159
-148	1	-8.31739
-147	1	-8.38467
-146	1	-8.45629
-145	1	-8.52621
-144	1	-8.60511
-143	1	-8.68527
-142	1	-8.76879
-141	1	-8.85634
-140	1	-8.94477
-139	1	-9.03204
-138	1	-9.12053
-137	1	-9.20933
-136	1	-9.29697
-135	1	-9.38744
-134	1	-9.48235
-133	1	-9.58373
-132	1	-9.69194
-131	1	-9.80603
-130	1	-9.92922
-129	1	-10.0595
-128	1	-10.1955
-127	1	-10.3333
-126	1	-10.4761
-125	1	-10.6204
-124	1	-10.7663
-123	1	-10.9153
-122	1	-11.068
-121	1	-11.2257
-120	1	-11.3896
-119	1	-11.5565
-118	1	-11.7293
-117	1	-11.909
-116	1	-12.098
-115	1	-12.2884
-114	1	-12.4731
-113	1	-12.6808
-112	1	-12.8483
-111	1	-13.0765
-110	1	-13.3123
-109	1	-13.5572
-108	1	-13.8163
-107	1	-14.0858
-106	1	-14.3632
-105	1	-14.6472
-104	1	-14.9375
-103	1	-15.2474
-102	1	-15.5714
-101	1	-15.9108
-100	1	-16.2581
-99	1	-16.6223
-98	1	-17.007
-97	1	-17.2952
-96	1	-17.7009
-95	1	-18.0771
-94	1	-18.5283
-93	1	-19.0221
-92	1	-19.549
-91	1	-20.1029
-90	1	-20.7024
-89	1	-21.3355
-88	1	-22.0309
-87	1	-22.7795
-86	1	-23.5983
-85	1	-24.5478
-84	1	-25.5331
-83	1	-26.7069
-82	1	-27.5072
-81	1	-28.8385
-80	1	-30.3406
-79	1	-32.02
-78	1	-33.781
-77	1	-35.2253
-76	1	-35.7274
-75	1	-34.9576
-74	1	-33.3889
-73	1	-31.67
-72	1	-30.0783
-71	1	-28.6619
-70	1	-27.3925
-69	1	-26.2747
-68	1	-25.2711

-67	1	-24.3605
-66	1	-23.4929
-65	1	-22.6671
-64	1	-21.9434
-63	1	-21.3146
-62	1	-20.7478
-61	1	-20.2083
-60	1	-19.7011
-59	1	-19.2105
-58	1	-18.7516
-57	1	-18.3152
-56	1	-17.9042
-55	1	-17.5115
-54	1	-17.1343
-53	1	-16.7733
-52	1	-16.4289
-51	1	-16.1015
-50	1	-15.7876
-49	1	-15.4952
-48	1	-15.2133
-47	1	-14.9489
-46	1	-14.6979
-45	1	-14.4583
-44	1	-14.2278
-43	1	-14.0121
-42	1	-13.8106
-41	1	-13.6145
-40	1	-13.4253
-39	1	-13.2379
-38	1	-13.0591
-37	1	-12.8942
-36	1	-12.7415
-35	1	-12.5894
-34	1	-12.4364
-33	1	-12.2824
-32	1	-12.1332
-31	1	-11.9882
-30	1	-12.015
-29	1	-11.8772
-28	1	-11.7505
-27	1	-11.6311
-26	1	-11.5091
-25	1	-11.3854
-24	1	-10.9629
-23	1	-10.8417
-22	1	-10.7423
-21	1	-10.6464
-20	1	-10.5953
-19	1	-10.5128
-18	1	-10.4279
-17	1	-10.3505
-16	1	-10.2847
-15	1	-10.2199
-14	1	-10.1501
-13	1	-10.0876
-12	1	-10.0318
-11	1	-9.97275
-10	1	-9.9265
-9	1	-9.89586
-8	1	-9.83209
-7	1	-9.78565
-6	1	-9.74993
-5	1	-9.73251
-4	1	-9.71134
-3	1	-9.69833
-2	1	-9.6472
-1	1	-9.57307
0	1	-9.55267
1	1	-9.57252
2	1	-9.57688
3	1	-9.58237
4	1	-9.59473
5	1	-9.59369
6	1	-9.60048
7	1	-9.5704
8	1	-9.583
9	1	-9.59839
10	1	-9.6662
11	1	-9.68205
12	1	-9.70426
13	1	-9.72491
14	1	-9.74321
15	1	-9.76789
16	1	-9.79324
17	1	-9.81972
18	1	-9.8496
19	1	-9.88136
20	1	-9.92033
21	1	-9.96355
22	1	-10.0001
23	1	-10.0517
24	1	-10.1083
25	1	-10.0554
26	1	-10.1228
27	1	-10.1924

28	1	-10.2671
29	1	-10.3442
30	1	-10.4202
31	1	-10.8108
32	1	-10.8888
33	1	-10.9665
34	1	-11.047
35	1	-11.1307
36	1	-11.2209
37	1	-11.3207
38	1	-11.427
39	1	-11.542
40	1	-11.664
41	1	-11.7893
42	1	-11.9187
43	1	-12.0514
44	1	-12.188
45	1	-12.3319
46	1	-12.4812
47	1	-12.6378
48	1	-12.8038
49	1	-12.9764
50	1	-13.1568
51	1	-13.3422
52	1	-13.5353
53	1	-13.7325
54	1	-13.9369
55	1	-14.1439
56	1	-14.3584
57	1	-14.5847
58	1	-14.8213
59	1	-15.0684
60	1	-15.3308
61	1	-15.6057
62	1	-15.8935
63	1	-16.1931
64	1	-16.5099
65	1	-16.8345
66	1	-17.1525
67	1	-17.5101
68	1	-17.795
69	1	-18.1899
70	1	-18.6082
71	1	-19.0513
72	1	-19.527
73	1	-20.0331
74	1	-20.5748
75	1	-21.1548
76	1	-21.7723
77	1	-22.455
78	1	-23.2002
79	1	-24.0258
80	1	-24.9241
81	1	-25.9257
82	1	-27.0457
83	1	-27.5082
84	1	-28.7006
85	1	-29.8878
86	1	-31.2753
87	1	-32.6675
88	1	-33.7669
89	1	-34.18
90	1	-33.6742
91	1	-32.5319
92	1	-31.0726
93	1	-29.6308
94	1	-28.2867
95	1	-26.9985
96	1	-25.8754
97	1	-24.822
98	1	-24.2271
99	1	-23.374
100	1	-22.5899
101	1	-21.8653
102	1	-21.1942
103	1	-20.5686
104	1	-19.9889
105	1	-19.4404
106	1	-18.9233
107	1	-18.4381
108	1	-17.9843
109	1	-17.5565
110	1	-17.148
111	1	-16.7642
112	1	-16.398
113	1	-16.0522
114	1	-15.6969
115	1	-15.3405
116	1	-15.0141
117	1	-14.7185
118	1	-14.4424
119	1	-14.1715
120	1	-13.9096
121	1	-13.6501
122	1	-13.4017

123	1	-13.1602
124	1	-12.9281
125	1	-12.7022
126	1	-12.4817
127	1	-12.2676
128	1	-12.0603
129	1	-11.8608
130	1	-11.6676
131	1	-11.4858
132	1	-11.3089
133	1	-11.1409
134	1	-10.9793
135	1	-10.8225
136	1	-10.6696
137	1	-10.5231
138	1	-10.3838
139	1	-10.2462
140	1	-10.1111
141	1	-9.97583
142	1	-9.84626
143	1	-9.72602
144	1	-9.61492
145	1	-9.50503
146	1	-9.39586
147	1	-9.28711
148	1	-9.183
149	1	-9.08262
150	1	-9.107
151	1	-9.01379
152	1	-8.92897
153	1	-8.84941
154	1	-8.76817
155	1	-8.68525
156	1	-8.38083
157	1	-8.29675
158	1	-8.22742
159	1	-8.15902
160	1	-8.12326
161	1	-8.06298
162	1	-8.00095
163	1	-7.94487
164	1	-7.89802
165	1	-7.85181
166	1	-7.80096
167	1	-7.75479
168	1	-7.71289
169	1	-7.66842
170	1	-7.63431
171	1	-7.61277
172	1	-7.56581
173	1	-7.53094
174	1	-7.50326
175	1	-7.48929
176	1	-7.47308
177	1	-7.46398
178	1	-7.42534
179	1	-7.36761
180	1	-7.3503
-180	2	-2.17457
-179	2	-2.14787
-178	2	-2.14949
-177	2	-2.13139
-176	2	-2.15168
-175	2	-2.14401
-174	2	-2.13546
-173	2	-2.08659
-172	2	-2.09669
-171	2	-2.09624
-170	2	-2.11918
-169	2	-2.12871
-168	2	-2.14633
-167	2	-2.15755
-166	2	-2.17507
-165	2	-2.19287
-164	2	-2.20914
-163	2	-2.23231
-162	2	-2.24376
-161	2	-2.26678
-160	2	-2.34776
-159	2	-2.36052
-158	2	-2.38574
-157	2	-2.42813
-156	2	-2.46564
-155	2	-2.51401
-154	2	-2.56339
-153	2	-2.61759
-152	2	-2.67378
-151	2	-2.7287
-150	2	-2.78645
-149	2	-2.83054
-148	2	-2.89323
-147	2	-2.95989
-146	2	-3.03417
-145	2	-3.11182
-144	2	-3.18384

-143	2	-3.26426
-142	2	-3.34911
-141	2	-3.44024
-140	2	-3.53092
-139	2	-3.60991
-138	2	-3.68325
-137	2	-3.77544
-136	2	-3.88395
-135	2	-3.9845
-134	2	-4.09489
-133	2	-4.25511
-132	2	-4.3807
-131	2	-4.49475
-130	2	-4.65226
-129	2	-4.77638
-128	2	-4.91888
-127	2	-5.0534
-126	2	-5.19055
-125	2	-5.36262
-124	2	-5.51906
-123	2	-5.70069
-122	2	-5.88243
-121	2	-6.05638
-120	2	-6.25063
-119	2	-6.37794
-118	2	-6.5864
-117	2	-6.80095
-116	2	-7.02149
-115	2	-7.24693
-114	2	-7.4611
-113	2	-7.66798
-112	2	-7.93337
-111	2	-8.18874
-110	2	-8.47761
-109	2	-8.75238
-108	2	-9.04051
-107	2	-9.33049
-106	2	-9.75831
-105	2	-10.0202
-104	2	-10.3428
-103	2	-10.7004
-102	2	-11.0678
-101	2	-11.4765
-100	2	-11.8808
-99	2	-12.3334
-98	2	-12.8016
-97	2	-13.2195
-96	2	-13.7521
-95	2	-14.2521
-94	2	-14.8494
-93	2	-15.4987
-92	2	-16.19
-91	2	-16.9473
-90	2	-17.7755
-89	2	-18.6822
-88	2	-19.7019
-87	2	-20.8335
-86	2	-22.1222
-85	2	-23.6208
-84	2	-25.4894
-83	2	-27.3721
-82	2	-28.9001
-81	2	-30.1244
-80	2	-29.9079
-79	2	-28.4656
-78	2	-26.6839
-77	2	-24.975
-76	2	-23.4345
-75	2	-22.0562
-74	2	-20.8431
-73	2	-19.7232
-72	2	-18.6995
-71	2	-17.7839
-70	2	-16.9539
-69	2	-16.1952
-68	2	-15.5081
-67	2	-14.8814
-66	2	-14.0776
-65	2	-13.5079
-64	2	-13.0106
-63	2	-12.5527
-62	2	-12.1316
-61	2	-11.7357
-60	2	-11.0696
-59	2	-10.7175
-58	2	-10.3807
-57	2	-10.0656
-56	2	-9.75735
-55	2	-9.45024
-54	2	-9.18767
-53	2	-8.95479
-52	2	-8.71676
-51	2	-8.48176
-50	2	-8.24345
-49	2	-8.03709

-48	2	-7.82422
-47	2	-7.60371
-46	2	-7.39328
-45	2	-7.19375
-44	2	-7.00158
-43	2	-6.81717
-42	2	-6.63547
-41	2	-6.46475
-40	2	-6.30561
-39	2	-6.15065
-38	2	-6.0013
-37	2	-5.85961
-36	2	-5.7192
-35	2	-5.58489
-34	2	-5.45762
-33	2	-5.30136
-32	2	-5.18108
-31	2	-5.06658
-30	2	-4.9251
-29	2	-4.81496
-28	2	-4.69529
-27	2	-4.59523
-26	2	-4.48608
-25	2	-4.42135
-24	2	-4.36651
-23	2	-4.24926
-22	2	-4.16349
-21	2	-4.09241
-20	2	-4.04537
-19	2	-3.99278
-18	2	-3.91239
-17	2	-3.83536
-16	2	-3.79126
-15	2	-3.74457
-14	2	-3.68562
-13	2	-3.62373
-12	2	-4.07092
-11	2	-3.99635
-10	2	-3.51202
-9	2	-3.48316
-8	2	-3.43776
-7	2	-3.41029
-6	2	-3.37744
-5	2	-3.35587
-4	2	-3.36343
-3	2	-3.35921
-2	2	-3.2886
-1	2	-3.27728
0	2	-3.27653
1	2	-3.24366
2	2	-3.24687
3	2	-3.22575
4	2	-3.24688
5	2	-3.24592
6	2	-3.2189
7	2	-3.16347
8	2	-3.18934
9	2	-3.19472
10	2	-3.21664
11	2	-3.23126
12	2	-3.24896
13	2	-3.26314
14	2	-3.28404
15	2	-3.30509
16	2	-3.32678
17	2	-3.35326
18	2	-3.36845
19	2	-3.39254
20	2	-3.485
21	2	-3.49823
22	2	-3.52791
23	2	-3.5783
24	2	-3.62428
25	2	-3.68309
26	2	-3.74054
27	2	-3.80243
28	2	-3.86385
29	2	-3.92615
30	2	-3.99264
31	2	-4.04903
32	2	-4.128
33	2	-4.21399
34	2	-4.30299
35	2	-4.39002
36	2	-4.46135
37	2	-4.54131
38	2	-4.62799
39	2	-4.73025
40	2	-4.83939
41	2	-4.94331
42	2	-5.04443
43	2	-5.16912
44	2	-5.30695
45	2	-5.42848
46	2	-5.55454

47	2	-5.73931
48	2	-5.88576
49	2	-6.02295
50	2	-6.2163
51	2	-6.37225
52	2	-6.55126
53	2	-6.71821
54	2	-6.88649
55	2	-7.09495
56	2	-7.2885
57	2	-7.51151
58	2	-7.74243
59	2	-7.96108
60	2	-8.20976
61	2	-8.37267
62	2	-8.63919
63	2	-8.91135
64	2	-9.19676
65	2	-9.48551
66	2	-9.77746
67	2	-10.1265
68	2	-10.3971
69	2	-10.75
70	2	-11.137
71	2	-11.5108
72	2	-11.9042
73	2	-12.3223
74	2	-12.7717
75	2	-13.2494
76	2	-13.7526
77	2	-14.2938
78	2	-14.8708
79	2	-15.4958
80	2	-16.1686
81	2	-16.9144
82	2	-17.7352
83	2	-18.4377
84	2	-19.3913
85	2	-20.3353
86	2	-21.4732
87	2	-22.7396
88	2	-24.1463
89	2	-25.7155
90	2	-27.4041
91	2	-28.8295
92	2	-29.492
93	2	-28.8442
94	2	-27.3536
95	2	-25.5155
96	2	-23.6307
97	2	-22.1374
98	2	-21.059
99	2	-19.8912
100	2	-18.8703
101	2	-17.9682
102	2	-17.1643
103	2	-16.4235
104	2	-15.7369
105	2	-15.0889
106	2	-14.4893
107	2	-13.914
108	2	-13.3703
109	2	-12.8663
110	2	-12.3906
111	2	-11.9371
112	2	-11.5111
113	2	-11.1131
114	2	-10.5807
115	2	-10.1991
116	2	-9.8592
117	2	-9.53945
118	2	-9.23939
119	2	-8.95344
120	2	-8.46532
121	2	-8.20605
122	2	-7.95625
123	2	-7.71938
124	2	-7.48233
125	2	-7.24043
126	2	-7.02788
127	2	-6.83616
128	2	-6.64041
129	2	-6.44952
130	2	-6.26016
131	2	-6.09943
132	2	-5.93591
133	2	-5.7668
134	2	-5.60411
135	2	-5.4463
136	2	-5.29217
137	2	-5.14886
138	2	-5.00941
139	2	-4.87298
140	2	-4.74312
141	2	-4.61679

142	2	-4.49424
143	2	-4.37782
144	2	-4.26311
145	2	-4.15352
146	2	-4.04961
147	2	-3.92064
148	2	-3.82159
149	2	-3.72707
150	2	-3.60905
151	2	-3.51776
152	2	-3.41784
153	2	-3.33361
154	2	-3.24002
155	2	-3.18379
156	2	-3.13578
157	2	-3.03377
158	2	-2.95898
159	2	-2.89705
160	2	-2.85494
161	2	-2.80775
162	2	-2.73545
163	2	-2.66477
164	2	-2.62457
165	2	-2.58307
166	2	-2.53031
167	2	-2.48846
168	2	-2.4586
169	2	-2.42452
170	2	-2.38813
171	2	-2.36415
172	2	-2.32508
173	2	-2.30045
174	2	-2.26869
175	2	-2.24784
176	2	-2.25269
177	2	-2.24756
178	2	-2.18573
179	2	-2.1755
180	2	-2.17457
-180	3	0.769534
-179	3	0.776896
-178	3	0.783715
-177	3	0.787916
-176	3	0.788558
-175	3	0.788656
-174	3	0.788339
-173	3	0.797217
-172	3	0.796752
-171	3	0.793551
-170	3	0.777419
-169	3	0.76974
-168	3	0.758079
-167	3	0.74568
-166	3	0.731134
-165	3	0.71317
-164	3	0.694526
-163	3	0.666889
-162	3	0.646708
-161	3	0.622655
-160	3	0.594027
-159	3	0.563979
-158	3	0.534651
-157	3	0.498392
-156	3	0.460663
-155	3	0.417135
-154	3	0.371817
-153	3	0.325578
-152	3	0.277093
-151	3	0.225912
-150	3	0.172598
-149	3	0.115842
-148	3	0.056768
-147	3	-0.00233692
-146	3	-0.0623231
-145	3	-0.126717
-144	3	-0.198439
-143	3	-0.274214
-142	3	-0.350213
-141	3	-0.429728
-140	3	-0.505105
-139	3	-0.584271
-138	3	-0.663575
-137	3	-0.760794
-136	3	-0.866511
-135	3	-0.97133
-134	3	-1.07824
-133	3	-1.19082
-132	3	-1.28831
-131	3	-1.44418
-130	3	-1.56212
-129	3	-1.6968
-128	3	-1.83026
-127	3	-1.97669
-126	3	-2.12057
-125	3	-2.27234

-124	3	-2.43275
-123	3	-2.59251
-122	3	-3.02361
-121	3	-2.93829
-120	3	-3.12582
-119	3	-3.32486
-118	3	-3.51866
-117	3	-3.73369
-116	3	-3.94553
-115	3	-4.18081
-114	3	-4.42738
-113	3	-4.67087
-112	3	-4.90286
-111	3	-5.20719
-110	3	-5.42865
-109	3	-5.71314
-108	3	-6.01582
-107	3	-6.32579
-106	3	-6.65954
-105	3	-7.00848
-104	3	-7.3029
-103	3	-7.67037
-102	3	-8.0673
-101	3	-8.49095
-100	3	-8.93863
-99	3	-9.41608
-98	3	-9.9215
-97	3	-10.408
-96	3	-10.9865
-95	3	-11.5819
-94	3	-12.2481
-93	3	-12.9738
-92	3	-13.7703
-91	3	-14.6462
-90	3	-15.6235
-89	3	-16.7221
-88	3	-17.9666
-87	3	-19.4039
-86	3	-21.0988
-85	3	-23.1262
-84	3	-25.6789
-83	3	-28.2892
-82	3	-29.8392
-81	3	-28.7876
-80	3	-26.1803
-79	3	-23.6839
-78	3	-21.5662
-77	3	-19.8314
-76	3	-18.3599
-75	3	-16.4975
-74	3	-15.4703
-73	3	-14.5357
-72	3	-13.6913
-71	3	-12.9188
-70	3	-12.1975
-69	3	-11.2764
-68	3	-10.7465
-67	3	-10.2177
-66	3	-9.74712
-65	3	-9.26758
-64	3	-8.82622
-63	3	-8.40342
-62	3	-7.99462
-61	3	-7.61488
-60	3	-7.26716
-59	3	-6.94634
-58	3	-6.63947
-57	3	-6.33891
-56	3	-6.06472
-55	3	-5.7952
-54	3	-5.53294
-53	3	-5.26757
-52	3	-4.97911
-51	3	-4.74561
-50	3	-4.51711
-49	3	-4.28138
-48	3	-4.08284
-47	3	-3.87016
-46	3	-3.69161
-45	3	-3.50803
-44	3	-3.33442
-43	3	-3.16072
-42	3	-3.00231
-41	3	-2.8475
-40	3	-2.69695
-39	3	-2.52967
-38	3	-2.40417
-37	3	-2.27984
-36	3	-2.14751
-35	3	-2.02507
-34	3	-1.90413
-33	3	-1.78999
-32	3	-1.67447
-31	3	-1.5634
-30	3	-1.45579

-29	3	-1.35456
-28	3	-1.26034
-27	3	-1.17249
-26	3	-1.08905
-25	3	-1.00788
-24	3	-0.930153
-23	3	-0.850563
-22	3	-0.780283
-21	3	-0.712677
-20	3	-0.657795
-19	3	-0.594939
-18	3	-0.53563
-17	3	-0.479257
-16	3	-0.424165
-15	3	-0.373277
-14	3	-0.325064
-13	3	-0.279918
-12	3	-0.237044
-11	3	-0.195016
-10	3	-0.158133
-9	3	-0.122539
-8	3	-0.0804528
-7	3	-0.0456158
-6	3	-0.0149249
-5	3	0.00726503
-4	3	0.0363615
-3	3	0.0540595
-2	3	0.0704813
-1	3	0.0876464
0	3	0.102677
1	3	0.11222
2	3	0.121132
3	3	0.127081
4	3	-0.248177
5	3	0.130908
6	3	0.128444
7	3	0.117335
8	3	0.138228
9	3	0.135208
10	3	0.117282
11	3	0.108387
12	3	0.0950036
13	3	0.0801385
14	3	0.0635176
15	3	0.0433695
16	3	0.0214956
17	3	-0.0091843
18	3	-0.0326409
19	3	-0.0630701
20	3	-0.0952951
21	3	-0.118516
22	3	-0.162004
23	3	-0.206884
24	3	-0.255387
25	3	-0.306793
26	3	-0.359597
27	3	-0.414289
28	3	-0.471654
29	3	-0.533776
30	3	-0.599571
31	3	-0.665591
32	3	-0.729634
33	3	-0.795367
34	3	-0.86848
35	3	-0.949674
36	3	-1.03263
37	3	-1.10806
38	3	-1.1795
39	3	-1.26284
40	3	-1.35407
41	3	-1.46061
42	3	-1.56815
43	3	-1.68513
44	3	-1.80215
45	3	-1.91875
46	3	-2.04143
47	3	-2.17121
48	3	-2.31036
49	3	-2.45677
50	3	-2.59502
51	3	-2.74978
52	3	-2.90868
53	3	-3.07491
54	3	-3.24104
55	3	-3.41482
56	3	-3.60222
57	3	-3.79279
58	3	-3.99678
59	3	-4.20421
60	3	-4.42109
61	3	-4.65182
62	3	-4.88779
63	3	-5.13767
64	3	-5.39377
65	3	-5.67656

66	3	-5.97066
67	3	-6.26593
68	3	-6.5486
69	3	-6.92075
70	3	-7.19737
71	3	-7.54832
72	3	-7.9235
73	3	-8.31777
74	3	-8.74411
75	3	-9.19077
76	3	-9.57409
77	3	-10.0545
78	3	-10.5836
79	3	-11.1569
80	3	-11.7718
81	3	-12.4406
82	3	-13.1625
83	3	-13.8627
84	3	-14.7351
85	3	-15.6719
86	3	-16.7546
87	3	-17.9827
88	3	-19.41
89	3	-21.0599
90	3	-22.9655
91	3	-25.0836
92	3	-27.0897
93	3	-28.0619
94	3	-27.1464
95	3	-25.1425
96	3	-22.871
97	3	-20.987
98	3	-19.5796
99	3	-18.1417
100	3	-16.8975
101	3	-15.804
102	3	-14.8125
103	3	-13.9244
104	3	-13.1168
105	3	-12.0346
106	3	-11.4173
107	3	-10.8363
108	3	-10.2891
109	3	-9.77037
110	3	-9.2741
111	3	-8.6159
112	3	-8.2283
113	3	-7.83092
114	3	-7.46957
115	3	-7.09914
116	3	-6.76015
117	3	-6.43961
118	3	-6.12925
119	3	-5.83242
120	3	-5.54987
121	3	-5.27797
122	3	-5.02006
123	3	-4.77201
124	3	-4.53437
125	3	-4.30445
126	3	-4.08806
127	3	-3.87476
128	3	-3.641
129	3	-3.44961
130	3	-3.25903
131	3	-3.05963
132	3	-2.88833
133	3	-2.7096
134	3	-2.55419
135	3	-2.39769
136	3	-2.24906
137	3	-2.10044
138	3	-1.96358
139	3	-1.82759
140	3	-1.69664
141	3	-1.55216
142	3	-1.444
143	3	-1.33621
144	3	-1.22063
145	3	-1.11285
146	3	-1.00656
147	3	-0.907963
148	3	-0.809759
149	3	-0.715994
150	3	-0.623683
151	3	-0.534249
152	3	-0.448408
153	3	-0.366234
154	3	-0.286693
155	3	-0.209317
156	3	-0.137293
157	3	-0.0668621
158	3	-0.00713509
159	3	0.0504275
160	3	0.0982677

161	3	0.15508
162	3	0.208924
163	3	0.259177
164	3	0.307322
165	3	0.351831
166	3	0.394891
167	3	0.436057
168	3	0.475573
169	3	0.513883
170	3	0.547302
171	3	0.579209
172	3	0.616764
173	3	0.647407
174	3	0.674077
175	3	0.692499
176	3	0.717179
177	3	0.731182
178	3	0.744066
179	3	0.757587
180	3	0.769534
-180	4	2.5934
-179	4	2.60714
-178	4	2.61808
-177	4	2.62664
-176	4	2.63202
-175	4	2.63338
-174	4	2.63241
-173	4	2.63175
-172	4	2.6291
-171	4	2.62486
-170	4	2.61648
-169	4	2.6109
-168	4	2.60436
-167	4	2.59601
-166	4	2.58546
-165	4	2.5728
-164	4	2.55788
-163	4	2.54102
-162	4	2.52178
-161	4	2.50099
-160	4	2.47909
-159	4	2.45553
-158	4	2.42779
-157	4	2.40172
-156	4	2.36963
-155	4	2.3315
-154	4	2.29262
-153	4	2.2523
-152	4	2.21299
-151	4	2.17444
-150	4	2.13985
-149	4	2.10499
-148	4	2.06185
-147	4	2.00461
-146	4	1.941
-145	4	1.88022
-144	4	1.82091
-143	4	1.75261
-142	4	1.68445
-141	4	1.60091
-140	4	1.53327
-139	4	1.46087
-138	4	1.37409
-137	4	1.27647
-136	4	1.18175
-135	4	1.08601
-134	4	0.985405
-133	4	0.879585
-132	4	0.772637
-131	4	0.658871
-130	4	0.54803
-129	4	0.436375
-128	4	0.301293
-127	4	0.172904
-126	4	0.0357089
-125	4	-0.109379
-124	4	-0.256391
-123	4	-0.410397
-122	4	-0.562504
-121	4	-0.730197
-120	4	-0.905623
-119	4	-1.08896
-118	4	-1.30215
-117	4	-1.50278
-116	4	-1.71232
-115	4	-1.93165
-114	4	-2.15692
-113	4	-2.39484
-112	4	-2.6221
-111	4	-2.88178
-110	4	-3.15151
-109	4	-3.43392
-108	4	-3.72945
-107	4	-4.03742
-106	4	-4.38456

-105	4	-4.68239
-104	4	-5.04231
-103	4	-5.47588
-102	4	-5.88599
-101	4	-6.31806
-100	4	-6.77841
-99	4	-7.20245
-98	4	-7.72557
-97	4	-8.23602
-96	4	-8.83512
-95	4	-9.49807
-94	4	-10.1805
-93	4	-10.9406
-92	4	-11.7828
-91	4	-12.7111
-90	4	-13.7513
-89	4	-14.9415
-88	4	-16.3198
-87	4	-17.9363
-86	4	-19.8736
-85	4	-22.2391
-84	4	-25.0629
-83	4	-27.5643
-82	4	-27.5848
-81	4	-24.9579
-80	4	-21.3168
-79	4	-19.1472
-78	4	-17.364
-77	4	-15.8669
-76	4	-14.6656
-75	4	-13.5349
-74	4	-12.2726
-73	4	-11.3946
-72	4	-10.605
-71	4	-9.89291
-70	4	-9.24362
-69	4	-8.64295
-68	4	-8.08593
-67	4	-7.56174
-66	4	-7.08253
-65	4	-6.58533
-64	4	-6.14183
-63	4	-5.71867
-62	4	-5.34238
-61	4	-5.00976
-60	4	-4.69969
-59	4	-4.38447
-58	4	-4.082
-57	4	-3.7796
-56	4	-3.48476
-55	4	-3.21572
-54	4	-2.96481
-53	4	-2.72996
-52	4	-2.50558
-51	4	-2.28828
-50	4	-2.07713
-49	4	-1.8729
-48	4	-1.67547
-47	4	-1.48774
-46	4	-1.31574
-45	4	-1.13729
-44	4	-0.970326
-43	4	-0.822102
-42	4	-0.680152
-41	4	-0.541287
-40	4	-0.405254
-39	4	-0.272009
-38	4	-0.142665
-37	4	-0.0189299
-36	4	0.0980483
-35	4	0.211012
-34	4	0.320874
-33	4	0.427584
-32	4	0.528845
-31	4	0.626815
-30	4	0.720111
-29	4	0.809967
-28	4	0.895995
-27	4	0.978471
-26	4	1.05784
-25	4	1.13295
-24	4	1.20459
-23	4	1.27683
-22	4	1.34166
-21	4	1.40437
-20	4	1.45621
-19	4	1.51254
-18	4	1.56634
-17	4	1.61679
-16	4	1.66413
-15	4	1.70948
-14	4	1.75244
-13	4	1.79307
-12	4	1.82995
-11	4	1.86972

-10	4	1.90415
-9	4	1.93612
-8	4	1.97204
-7	4	2.00208
-6	4	2.02753
-5	4	2.05197
-4	4	2.07673
-3	4	2.09796
-2	4	2.11809
-1	4	2.13593
0	4	2.15248
1	4	2.16676
2	4	2.1776
3	4	2.18553
4	4	2.18958
5	4	2.18937
6	4	2.18701
7	4	2.18472
8	4	2.17996
9	4	2.17415
10	4	2.16523
11	4	2.17955
12	4	2.1517
13	4	2.14174
14	4	2.12986
15	4	2.11551
16	4	2.09906
17	4	2.07397
18	4	2.0602
19	4	2.03833
20	4	2.01425
21	4	1.98691
22	4	1.95501
23	4	1.92565
24	4	1.89054
25	4	1.85038
26	4	1.81087
27	4	1.76778
28	4	1.72075
29	4	1.68263
30	4	1.62766
31	4	1.57822
32	4	1.52513
33	4	1.4701
34	4	1.41656
35	4	1.35692
36	4	1.28601
37	4	1.20964
38	4	1.1452
39	4	1.07385
40	4	0.979294
41	4	0.880424
42	4	0.775323
43	4	0.66921
44	4	0.562737
45	4	0.450763
46	4	0.335853
47	4	0.218983
48	4	0.099053
49	4	-0.0315502
50	4	-0.159407
51	4	-0.293443
52	4	-0.437354
53	4	-0.582445
54	4	-0.737273
55	4	-0.899173
56	4	-1.06594
57	4	-1.24085
58	4	-1.4121
59	4	-1.59606
60	4	-1.79046
61	4	-1.99647
62	4	-2.23518
63	4	-2.45866
64	4	-2.69248
65	4	-2.94046
66	4	-3.19873
67	4	-3.47399
68	4	-3.73912
69	4	-4.04232
70	4	-4.35766
71	4	-4.68827
72	4	-5.03714
73	4	-5.40564
74	4	-5.82546
75	4	-6.19014
76	4	-6.62728
77	4	-7.15469
78	4	-7.65809
79	4	-8.19952
80	4	-8.78466
81	4	-9.33262
82	4	-10.0228
83	4	-10.6989
84	4	-11.515

85	4	-12.4432
86	4	-13.4225
87	4	-14.5509
88	4	-15.8547
89	4	-17.3611
90	4	-19.1542
91	4	-21.3193
92	4	-23.784
93	4	-26.086
94	4	-26.8199
95	4	-25.2024
96	4	-22.6132
97	4	-20.3142
98	4	-18.575
99	4	-16.888
100	4	-15.0141
101	4	-13.8425
102	4	-12.8052
103	4	-11.8673
104	4	-11.0647
105	4	-10.2842
106	4	-9.37967
107	4	-8.73532
108	4	-8.1596
109	4	-7.63996
110	4	-7.14941
111	4	-6.67837
112	4	-6.2339
113	4	-5.81214
114	4	-5.42098
115	4	-5.03549
116	4	-4.6843
117	4	-4.34486
118	4	-4.02304
119	4	-3.71874
120	4	-3.43929
121	4	-3.16535
122	4	-2.90091
123	4	-2.63908
124	4	-2.39145
125	4	-2.16513
126	4	-1.94703
127	4	-1.73717
128	4	-1.53589
129	4	-1.34482
130	4	-1.16145
131	4	-0.986854
132	4	-0.814969
133	4	-0.650282
134	4	-0.502819
135	4	-0.355295
136	4	-0.212415
137	4	-0.0770327
138	4	0.0533733
139	4	0.179064
140	4	0.300779
141	4	0.417502
142	4	0.529773
143	4	0.639523
144	4	0.745842
145	4	0.848288
146	4	0.94694
147	4	1.04484
148	4	1.14293
149	4	1.23812
150	4	1.3328
151	4	1.4284
152	4	1.515
153	4	1.58429
154	4	1.6403
155	4	1.69266
156	4	1.74814
157	4	1.80897
158	4	1.86609
159	4	1.92342
160	4	1.97104
161	4	2.02268
162	4	2.07135
163	4	2.11723
164	4	2.16008
165	4	2.20107
166	4	2.23955
167	4	2.27563
168	4	2.30973
169	4	2.34196
170	4	2.37178
171	4	2.39972
172	4	2.4322
173	4	2.45951
174	4	2.48211
175	4	2.50368
176	4	2.52547
177	4	2.54391
178	4	2.56182
179	4	2.57808

180	4	2.5934
-180	5	3.71836
-179	5	3.72693
-178	5	3.73183
-177	5	3.73503
-176	5	3.73903
-175	5	3.74289
-174	5	3.74545
-173	5	3.7413
-172	5	3.74374
-171	5	3.74551
-170	5	3.74888
-169	5	3.74862
-168	5	3.74717
-167	5	3.74484
-166	5	3.74183
-165	5	3.73755
-164	5	3.73009
-163	5	3.71934
-162	5	3.70656
-161	5	3.69424
-160	5	3.6803
-159	5	3.66541
-158	5	3.65096
-157	5	3.63305
-156	5	3.61224
-155	5	3.58689
-154	5	3.56055
-153	5	3.53146
-152	5	3.50016
-151	5	3.46705
-150	5	3.43268
-149	5	3.39856
-148	5	3.35852
-147	5	3.31604
-146	5	3.27607
-145	5	3.22773
-144	5	3.17821
-143	5	3.11937
-142	5	3.04787
-141	5	2.97911
-140	5	2.9101
-139	5	2.84766
-138	5	2.76907
-137	5	2.69128
-136	5	2.61265
-135	5	2.52913
-134	5	2.45639
-133	5	2.38252
-132	5	2.27111
-131	5	2.16439
-130	5	2.04712
-129	5	1.94046
-128	5	1.82626
-127	5	1.70622
-126	5	1.58339
-125	5	1.45402
-124	5	1.31932
-123	5	1.17727
-122	5	1.02634
-121	5	0.867455
-120	5	0.698784
-119	5	0.520472
-118	5	0.334084
-117	5	0.147644
-116	5	-0.0558118
-115	5	-0.270076
-114	5	-0.493106
-113	5	-0.748552
-112	5	-0.982223
-111	5	-1.2462
-110	5	-1.52148
-109	5	-1.80797
-108	5	-2.10561
-107	5	-2.41393
-106	5	-2.73761
-105	5	-3.08013
-104	5	-3.44111
-103	5	-3.78166
-102	5	-4.18713
-101	5	-4.65243
-100	5	-5.11989
-99	5	-5.60589
-98	5	-6.12254
-97	5	-6.58511
-96	5	-7.18911
-95	5	-7.8559
-94	5	-8.57118
-93	5	-9.34286
-92	5	-10.1977
-91	5	-11.1525
-90	5	-12.2519
-89	5	-13.4668
-88	5	-14.879
-87	5	-16.5635

-86	5	-18.6156
-85	5	-21.1398
-84	5	-24.1486
-83	5	-26.1267
-82	5	-24.5758
-81	5	-21.4026
-80	5	-18.8689
-79	5	-16.8492
-78	5	-15.1453
-77	5	-13.7157
-76	5	-12.2197
-75	5	-11.167
-74	5	-10.2279
-73	5	-9.38553
-72	5	-8.61836
-71	5	-7.92896
-70	5	-7.28331
-69	5	-6.69714
-68	5	-6.14859
-67	5	-5.62882
-66	5	-5.15548
-65	5	-4.70567
-64	5	-4.2788
-63	5	-3.87132
-62	5	-3.49328
-61	5	-3.14102
-60	5	-2.80726
-59	5	-2.51669
-58	5	-2.22965
-57	5	-1.94502
-56	5	-1.6701
-55	5	-1.41531
-54	5	-1.18203
-53	5	-0.958973
-52	5	-0.731022
-51	5	-0.531787
-50	5	-0.346628
-49	5	-0.165507
-48	5	0.0154972
-47	5	0.189266
-46	5	0.351976
-45	5	0.505495
-44	5	0.653181
-43	5	0.794675
-42	5	0.930011
-41	5	1.05885
-40	5	1.18238
-39	5	1.30059
-38	5	1.41505
-37	5	1.52488
-36	5	1.62899
-35	5	1.72933
-34	5	1.82587
-33	5	1.9186
-32	5	2.00853
-31	5	2.09432
-30	5	2.17613
-29	5	2.25472
-28	5	2.33044
-27	5	2.40244
-26	5	2.47225
-25	5	2.53578
-24	5	2.59817
-23	5	2.66163
-22	5	2.72006
-21	5	2.7752
-20	5	2.81991
-19	5	2.86607
-18	5	2.91076
-17	5	2.95495
-16	5	2.99752
-15	5	3.03739
-14	5	3.07485
-13	5	3.11001
-12	5	3.14194
-11	5	3.17122
-10	5	3.19857
-9	5	3.22362
-8	5	3.25218
-7	5	3.27607
-6	5	3.29692
-5	5	3.31773
-4	5	3.33699
-3	5	3.35619
-2	5	3.37445
-1	5	3.39166
0	5	3.4081
1	5	3.4218
2	5	3.43344
3	5	3.44437
4	5	3.4543
5	5	3.46296
6	5	3.47017
7	5	3.46752
8	5	3.47043

9	5	3.47243
10	5	3.47333
11	5	3.47028
12	5	3.46948
13	5	3.4671
14	5	3.45819
15	5	3.44982
16	5	3.4356
17	5	3.42866
18	5	3.41617
19	5	3.39416
20	5	3.373
21	5	3.35295
22	5	3.33254
23	5	3.27727
24	5	3.27811
25	5	3.24564
26	5	3.21355
27	5	3.17821
28	5	3.13912
29	5	3.09881
30	5	3.05807
31	5	3.0171
32	5	2.97633
33	5	2.93008
34	5	2.88143
35	5	2.82655
36	5	2.76685
37	5	2.69168
38	5	2.62066
39	5	2.55801
40	5	2.47242
41	5	2.3866
42	5	2.30271
43	5	2.22291
44	5	2.13683
45	5	2.04621
46	5	1.95317
47	5	1.85433
48	5	1.74881
49	5	1.63881
50	5	1.52048
51	5	1.40118
52	5	1.27599
53	5	1.14417
54	5	1.00696
55	5	0.861766
56	5	0.70988
57	5	0.551187
58	5	0.38363
59	5	0.207038
60	5	0.0238886
61	5	-0.166276
62	5	-0.372092
63	5	-0.57716
64	5	-0.797096
65	5	-1.02668
66	5	-1.26468
67	5	-1.54269
68	5	-1.79459
69	5	-2.0771
70	5	-2.37632
71	5	-2.69469
72	5	-3.0298
73	5	-3.38424
74	5	-3.76183
75	5	-4.16167
76	5	-4.58702
77	5	-5.00216
78	5	-5.49292
79	5	-6.0331
80	5	-6.58647
81	5	-7.18098
82	5	-7.84651
83	5	-8.4569
84	5	-9.187
85	5	-10.0034
86	5	-10.9196
87	5	-11.9789
88	5	-13.1492
89	5	-14.4765
90	5	-16.094
91	5	-17.9899
92	5	-20.257
93	5	-22.7663
94	5	-24.7693
95	5	-24.6492
96	5	-22.2821
97	5	-19.7055
98	5	-17.1893
99	5	-15.2927
100	5	-13.8245
101	5	-12.573
102	5	-11.4519
103	5	-10.4667

104	5	-9.3939
105	5	-8.61663
106	5	-7.89789
107	5	-7.23529
108	5	-6.62265
109	5	-6.0627
110	5	-5.55914
111	5	-5.08538
112	5	-4.63014
113	5	-4.19837
114	5	-3.80445
115	5	-3.42886
116	5	-3.07502
117	5	-2.73847
118	5	-2.40949
119	5	-2.10608
120	5	-1.81985
121	5	-1.54848
122	5	-1.28692
123	5	-1.03745
124	5	-0.800123
125	5	-0.577298
126	5	-0.371018
127	5	-0.177728
128	5	0.00880185
129	5	0.179947
130	5	0.351424
131	5	0.514723
132	5	0.672982
133	5	0.825649
134	5	0.968979
135	5	1.10715
136	5	1.24527
137	5	1.38582
138	5	1.50466
139	5	1.59734
140	5	1.69926
141	5	1.80755
142	5	1.91027
143	5	2.00784
144	5	2.10075
145	5	2.19277
146	5	2.28488
147	5	2.37092
148	5	2.45117
149	5	2.52743
150	5	2.5971
151	5	2.6628
152	5	2.73133
153	5	2.79816
154	5	2.85966
155	5	2.91795
156	5	2.97425
157	5	3.02992
158	5	3.08053
159	5	3.12918
160	5	3.17056
161	5	3.21575
162	5	3.25909
163	5	3.30012
164	5	3.33849
165	5	3.37401
166	5	3.40688
167	5	3.43733
168	5	3.46475
169	5	3.48949
170	5	3.51194
171	5	3.53197
172	5	3.55573
173	5	3.57643
174	5	3.59651
175	5	3.6187
176	5	3.64141
177	5	3.6646
178	5	3.68602
179	5	3.70451
180	5	3.71836
-180	6	4.26941
-179	6	4.27872
-178	6	4.28645
-177	6	4.29336
-176	6	4.30194
-175	6	4.31374
-174	6	4.32549
-173	6	4.31889
-172	6	4.32672
-171	6	4.33237
-170	6	4.34532
-169	6	4.34822
-168	6	4.35272
-167	6	4.36067
-166	6	4.36948
-165	6	4.36984
-164	6	4.36491
-163	6	4.35872

-162	6	4.35105
-161	6	4.34139
-160	6	4.33361
-159	6	4.32475
-158	6	4.3164
-157	6	4.30822
-156	6	4.29713
-155	6	4.28218
-154	6	4.26537
-153	6	4.24624
-152	6	4.22789
-151	6	4.20773
-150	6	4.18718
-149	6	4.16673
-148	6	4.14412
-147	6	4.11865
-146	6	4.08966
-145	6	4.05174
-144	6	4.00862
-143	6	3.9646
-142	6	3.90975
-141	6	3.85855
-140	6	3.81105
-139	6	3.76713
-138	6	3.7041
-137	6	3.64391
-136	6	3.58932
-135	6	3.50796
-134	6	3.43822
-133	6	3.36391
-132	6	3.28177
-131	6	3.19592
-130	6	3.10484
-129	6	3.00867
-128	6	2.90597
-127	6	2.79313
-126	6	2.6882
-125	6	2.57735
-124	6	2.43316
-123	6	2.29366
-122	6	2.15142
-121	6	2.00406
-120	6	1.84757
-119	6	1.68207
-118	6	1.50206
-117	6	1.3218
-116	6	1.12262
-115	6	0.926404
-114	6	0.726851
-113	6	0.509653
-112	6	0.294568
-111	6	0.0547776
-110	6	-0.218359
-109	6	-0.494783
-108	6	-0.790021
-107	6	-1.10583
-106	6	-1.43947
-105	6	-1.79045
-104	6	-2.16202
-103	6	-2.55312
-102	6	-2.96686
-101	6	-3.36833
-100	6	-3.82921
-99	6	-4.32379
-98	6	-4.87774
-97	6	-5.42626
-96	6	-6.06712
-95	6	-6.7094
-94	6	-7.4634
-93	6	-8.27369
-92	6	-9.15298
-91	6	-10.1232
-90	6	-11.2246
-89	6	-12.5025
-88	6	-14.0089
-87	6	-15.8465
-86	6	-18.0663
-85	6	-20.8807
-84	6	-24.7547
-83	6	-24.9622
-82	6	-22.6296
-81	6	-19.5701
-80	6	-17.0859
-79	6	-15.0776
-78	6	-13.1425
-77	6	-11.7813
-76	6	-10.6175
-75	6	-9.6121
-74	6	-8.69149
-73	6	-7.8739
-72	6	-7.12848
-71	6	-6.44406
-70	6	-5.81233
-69	6	-5.23686
-68	6	-4.71331

-67	6	-4.20187
-66	6	-3.73334
-65	6	-3.26249
-64	6	-2.8447
-63	6	-2.45301
-62	6	-2.10062
-61	6	-1.79656
-60	6	-1.49515
-59	6	-1.16832
-58	6	-0.860499
-57	6	-0.591179
-56	6	-0.32267
-55	6	-0.0871921
-54	6	0.12605
-53	6	0.335301
-52	6	0.535397
-51	6	0.726406
-50	6	0.910966
-49	6	1.08622
-48	6	1.25299
-47	6	1.41215
-46	6	1.56291
-45	6	1.70416
-44	6	1.83177
-43	6	1.94563
-42	6	2.08904
-41	6	2.20011
-40	6	2.29738
-39	6	2.40016
-38	6	2.49413
-37	6	2.58343
-36	6	2.66937
-35	6	2.75211
-34	6	2.83171
-33	6	2.91055
-32	6	2.98551
-31	6	3.0549
-30	6	3.12109
-29	6	3.18577
-28	6	3.24818
-27	6	3.30594
-26	6	3.35775
-25	6	3.40765
-24	6	3.45761
-23	6	3.50837
-22	6	3.55467
-21	6	3.59538
-20	6	3.62923
-19	6	3.66594
-18	6	3.70113
-17	6	3.7348
-16	6	3.76663
-15	6	3.79701
-14	6	3.82593
-13	6	3.85419
-12	6	3.88124
-11	6	3.90732
-10	6	3.9327
-9	6	3.95798
-8	6	3.98635
-7	6	4.01194
-6	6	4.03713
-5	6	4.05778
-4	6	4.07034
-3	6	4.08197
-2	6	4.09357
-1	6	4.10507
0	6	4.11369
1	6	4.12804
2	6	4.14299
3	6	4.15526
4	6	4.16575
5	6	4.17029
6	6	4.17284
7	6	4.16519
8	6	4.16777
9	6	4.17323
10	6	4.18938
11	6	4.19106
12	6	4.19313
13	6	4.19441
14	6	4.19375
15	6	4.19373
16	6	4.17457
17	6	4.18662
18	6	4.1733
19	6	4.16539
20	6	4.1553
21	6	4.14617
22	6	4.13631
23	6	4.124
24	6	4.10811
25	6	4.0886
26	6	4.06739
27	6	4.04214

28	6	4.02172
29	6	3.98771
30	6	3.95868
31	6	3.92985
32	6	3.89827
33	6	3.86626
34	6	3.82884
35	6	3.78283
36	6	3.73392
37	6	3.67661
38	6	3.61992
39	6	3.58323
40	6	3.51678
41	6	3.44994
42	6	3.3887
43	6	3.32046
44	6	3.24445
45	6	3.16832
46	6	3.08633
47	6	3.00053
48	6	2.9088
49	6	2.81321
50	6	2.71259
51	6	2.60564
52	6	2.49229
53	6	2.37169
54	6	2.24514
55	6	2.11239
56	6	1.97338
57	6	1.82777
58	6	1.66993
59	6	1.50719
60	6	1.33613
61	6	1.15453
62	6	0.964261
63	6	0.762781
64	6	0.550554
65	6	0.331133
66	6	0.10743
67	6	-0.143991
68	6	-0.383419
69	6	-0.652295
70	6	-0.955245
71	6	-1.26357
72	6	-1.58133
73	6	-1.92884
74	6	-2.29415
75	6	-2.68242
76	6	-3.10074
77	6	-3.54524
78	6	-4.01936
79	6	-4.4851
80	6	-5.02357
81	6	-5.60545
82	6	-6.25194
83	6	-6.88481
84	6	-7.63401
85	6	-8.39136
86	6	-9.3046
87	6	-10.3464
88	6	-11.5167
89	6	-12.8476
90	6	-14.443
91	6	-16.3233
92	6	-18.731
93	6	-21.5576
94	6	-23.9012
95	6	-24.0901
96	6	-20.6426
97	6	-18.0379
98	6	-16.0971
99	6	-14.2882
100	6	-12.7465
101	6	-11.4412
102	6	-10.1045
103	6	-9.13506
104	6	-8.26778
105	6	-7.48098
106	6	-6.76219
107	6	-6.09254
108	6	-5.45657
109	6	-4.86431
110	6	-4.33253
111	6	-3.87359
112	6	-3.45319
113	6	-3.01155
114	6	-2.60773
115	6	-2.19411
116	6	-1.82577
117	6	-1.48451
118	6	-1.16908
119	6	-0.87438
120	6	-0.595772
121	6	-0.334919
122	6	-0.089025

123	6	0.145097
124	6	0.36786
125	6	0.573916
126	6	0.771312
127	6	0.957004
128	6	1.13917
129	6	1.32621
130	6	1.49584
131	6	1.62231
132	6	1.76352
133	6	1.89984
134	6	2.03097
135	6	2.15822
136	6	2.27603
137	6	2.38475
138	6	2.48716
139	6	2.58562
140	6	2.68067
141	6	2.77183
142	6	2.85868
143	6	2.93956
144	6	3.014
145	6	3.08907
146	6	3.16055
147	6	3.2276
148	6	3.29367
149	6	3.35387
150	6	3.4137
151	6	3.47219
152	6	3.52429
153	6	3.57436
154	6	3.62115
155	6	3.66533
156	6	3.707
157	6	3.74885
158	6	3.78836
159	6	3.82891
160	6	3.86437
161	6	3.90106
162	6	3.93188
163	6	3.95808
164	6	3.98182
165	6	4.00484
166	6	4.02703
167	6	4.0493
168	6	4.07134
169	6	4.09265
170	6	4.11275
171	6	4.13219
172	6	4.15393
173	6	4.17335
174	6	4.19146
175	6	4.2074
176	6	4.2213
177	6	4.23388
178	6	4.25253
179	6	4.258
180	6	4.26941
-180	7	4.36784
-179	7	4.37687
-178	7	4.38549
-177	7	4.39255
-176	7	4.39727
-175	7	4.40471
-174	7	4.41398
-173	7	4.39327
-172	7	4.40031
-171	7	4.40589
-170	7	4.43084
-169	7	4.43709
-168	7	4.44359
-167	7	4.44845
-166	7	4.45269
-165	7	4.45767
-164	7	4.46933
-163	7	4.48081
-162	7	4.48172
-161	7	4.48143
-160	7	4.4856
-159	7	4.49481
-158	7	4.51013
-157	7	4.52027
-156	7	4.52009
-155	7	4.5176
-154	7	4.5138
-153	7	4.51231
-152	7	4.51393
-151	7	4.51464
-150	7	4.51854
-149	7	4.52276
-148	7	4.52386
-147	7	4.51751
-146	7	4.50267
-145	7	4.48187
-144	7	4.45685

-143	7	4.43516
-142	7	4.40928
-141	7	4.37904
-140	7	4.35429
-139	7	4.32333
-138	7	4.28165
-137	7	4.24389
-136	7	4.19739
-135	7	4.14966
-134	7	4.09569
-133	7	4.03942
-132	7	3.98177
-131	7	3.92011
-130	7	3.85184
-129	7	3.77656
-128	7	3.69637
-127	7	3.60864
-126	7	3.51009
-125	7	3.4104
-124	7	3.30045
-123	7	3.1833
-122	7	3.05772
-121	7	2.93237
-120	7	2.8049
-119	7	2.64304
-118	7	2.47964
-117	7	2.31242
-116	7	2.13597
-115	7	1.95112
-114	7	1.75748
-113	7	1.5504
-112	7	1.3473
-111	7	1.10289
-110	7	0.840186
-109	7	0.567143
-108	7	0.267471
-107	7	-0.0368633
-106	7	-0.353955
-105	7	-0.685011
-104	7	-1.03591
-103	7	-1.41485
-102	7	-1.82615
-101	7	-2.27539
-100	7	-2.73085
-99	7	-3.24711
-98	7	-3.79635
-97	7	-4.34968
-96	7	-5.00142
-95	7	-5.69961
-94	7	-6.41403
-93	7	-7.23931
-92	7	-8.17025
-91	7	-9.213
-90	7	-10.3972
-89	7	-11.7646
-88	7	-13.3841
-87	7	-15.373
-86	7	-18.0307
-85	7	-21.8071
-84	7	-24.6207
-83	7	-23.3406
-82	7	-20.4937
-81	7	-17.5996
-80	7	-15.2776
-79	7	-13.1403
-78	7	-11.6172
-77	7	-10.3277
-76	7	-9.21157
-75	7	-8.22111
-74	7	-7.33154
-73	7	-6.54847
-72	7	-5.84406
-71	7	-5.18293
-70	7	-4.57011
-69	7	-3.99786
-68	7	-3.47206
-67	7	-2.95668
-66	7	-2.50498
-65	7	-2.06662
-64	7	-1.66989
-63	7	-1.29103
-62	7	-0.938919
-61	7	-0.637595
-60	7	-0.336773
-59	7	-0.0272225
-58	7	0.25
-57	7	0.488858
-56	7	0.724793
-55	7	0.956385
-54	7	1.17395
-53	7	1.37315
-52	7	1.5536
-51	7	1.72364
-50	7	1.8863
-49	7	2.03909

-48	7	2.18352
-47	7	2.31876
-46	7	2.44555
-45	7	2.56366
-44	7	2.67348
-43	7	2.77659
-42	7	2.87236
-41	7	2.96312
-40	7	3.04993
-39	7	3.13125
-38	7	3.20627
-37	7	3.27677
-36	7	3.34373
-35	7	3.40432
-34	7	3.45431
-33	7	3.51224
-32	7	3.57569
-31	7	3.61317
-30	7	3.65479
-29	7	3.70049
-28	7	3.74429
-27	7	3.78421
-26	7	3.82018
-25	7	3.85285
-24	7	3.88488
-23	7	3.9171
-22	7	3.9452
-21	7	3.97252
-20	7	3.99448
-19	7	4.02443
-18	7	4.04408
-17	7	4.06788
-16	7	4.08786
-15	7	4.10841
-14	7	4.12644
-13	7	4.13859
-12	7	4.1538
-11	7	4.16456
-10	7	4.17464
-9	7	4.1845
-8	7	4.19588
-7	7	4.21142
-6	7	4.22688
-5	7	4.24495
-4	7	4.25928
-3	7	4.27299
-2	7	4.28399
-1	7	4.30001
0	7	4.31683
1	7	4.33335
2	7	4.34109
3	7	4.3522
4	7	4.35707
5	7	4.36311
6	7	4.3679
7	7	4.34096
8	7	4.34404
9	7	4.3436
10	7	4.36708
11	7	4.37834
12	7	4.3901
13	7	4.39402
14	7	4.39455
15	7	4.39704
16	7	4.40305
17	7	4.41289
18	7	4.41949
19	7	4.42139
20	7	4.42288
21	7	4.42428
22	7	4.42599
23	7	4.42847
24	7	4.42864
25	7	4.42491
26	7	4.42004
27	7	4.41302
28	7	4.41032
29	7	4.40578
30	7	4.40318
31	7	4.40327
32	7	4.39967
33	7	4.38407
34	7	4.36347
35	7	4.33323
36	7	4.30375
37	7	4.2799
38	7	4.24639
39	7	4.22776
40	7	4.18435
41	7	4.13497
42	7	4.09012
43	7	4.04106
44	7	3.98854
45	7	3.93037
46	7	3.86644

47	7	3.79968
48	7	3.72882
49	7	3.64913
50	7	3.56419
51	7	3.47481
52	7	3.38645
53	7	3.28943
54	7	3.18405
55	7	3.07091
56	7	2.95137
57	7	2.82485
58	7	2.69035
59	7	2.54912
60	7	2.39534
61	7	2.23464
62	7	2.06224
63	7	1.87874
64	7	1.68291
65	7	1.474
66	7	1.25383
67	7	1.01565
68	7	0.786172
69	7	0.516267
70	7	0.228253
71	7	-0.0656012
72	7	-0.394389
73	7	-0.737077
74	7	-1.10026
75	7	-1.4887
76	7	-1.8957
77	7	-2.32846
78	7	-2.79044
79	7	-3.2896
80	7	-3.79127
81	7	-4.36458
82	7	-4.98326
83	7	-5.6159
84	7	-6.3761
85	7	-7.20535
86	7	-8.06546
87	7	-9.07833
88	7	-10.2329
89	7	-11.5583
90	7	-13.1213
91	7	-14.9928
92	7	-17.2226
93	7	-19.7852
94	7	-22.4626
95	7	-22.4159
96	7	-19.6392
97	7	-17.0726
98	7	-14.9717
99	7	-13.1573
100	7	-11.6062
101	7	-10.0455
102	7	-8.94564
103	7	-8.01164
104	7	-7.16237
105	7	-6.37423
106	7	-5.64776
107	7	-4.9941
108	7	-4.39555
109	7	-3.83738
110	7	-3.32544
111	7	-2.85134
112	7	-2.41755
113	7	-1.96936
114	7	-1.58025
115	7	-1.20075
116	7	-0.857388
117	7	-0.536922
118	7	-0.23595
119	7	0.0504389
120	7	0.322047
121	7	0.579721
122	7	0.826805
123	7	1.05433
124	7	1.28561
125	7	1.5016
126	7	1.66829
127	7	1.85303
128	7	2.02303
129	7	2.17924
130	7	2.31509
131	7	2.44703
132	7	2.58039
133	7	2.70279
134	7	2.81303
135	7	2.91454
136	7	3.01014
137	7	3.10138
138	7	3.18695
139	7	3.26563
140	7	3.33693
141	7	3.41019

142	7	3.48829
143	7	3.5579
144	7	3.61671
145	7	3.669
146	7	3.70786
147	7	3.74556
148	7	3.78029
149	7	3.82071
150	7	3.8673
151	7	3.91564
152	7	3.95667
153	7	3.98531
154	7	4.00634
155	7	4.0241
156	7	4.04623
157	7	4.07447
158	7	4.09823
159	7	4.11864
160	7	4.13343
161	7	4.14896
162	7	4.1608
163	7	4.17008
164	7	4.17816
165	7	4.18624
166	7	4.19479
167	7	4.20424
168	7	4.21447
169	7	4.22483
170	7	4.23493
171	7	4.24501
172	7	4.2571
173	7	4.27058
174	7	4.28523
175	7	4.30205
176	7	4.31769
177	7	4.33284
178	7	4.34637
179	7	4.35776
180	7	4.36784
-180	8	3.89301
-179	8	3.89145
-178	8	3.89322
-177	8	3.90005
-176	8	3.90826
-175	8	3.91834
-174	8	3.92848
-173	8	3.891
-172	8	3.9086
-171	8	3.92567
-170	8	3.97518
-169	8	3.99796
-168	8	3.99209
-167	8	4.03559
-166	8	4.0681
-165	8	4.0973
-164	8	4.12402
-163	8	4.15138
-162	8	4.15656
-161	8	4.18115
-160	8	4.2027
-159	8	4.22743
-158	8	4.25189
-157	8	4.28195
-156	8	4.31569
-155	8	4.34252
-154	8	4.36001
-153	8	4.38708
-152	8	4.42739
-151	8	4.45601
-150	8	4.47991
-149	8	4.50277
-148	8	4.52708
-147	8	4.5325
-146	8	4.53511
-145	8	4.53921
-144	8	4.54734
-143	8	4.55619
-142	8	4.56169
-141	8	4.55885
-140	8	4.56934
-139	8	4.56179
-138	8	4.5434
-137	8	4.53033
-136	8	4.5171
-135	8	4.50158
-134	8	4.47576
-133	8	4.44863
-132	8	4.41366
-131	8	4.37785
-130	8	4.33374
-129	8	4.28343
-128	8	4.22679
-127	8	4.1615
-126	8	4.0878
-125	8	4.00768

-124	8	3.9224
-123	8	3.82943
-122	8	3.72536
-121	8	3.60817
-120	8	3.48123
-119	8	3.34798
-118	8	3.20325
-117	8	3.07006
-116	8	2.90829
-115	8	2.73862
-114	8	2.5588
-113	8	2.36251
-112	8	2.16817
-111	8	1.94831
-110	8	1.7171
-109	8	1.46225
-108	8	1.19067
-107	8	0.89397
-106	8	0.586186
-105	8	0.254147
-104	8	-0.0993125
-103	8	-0.471661
-102	8	-0.872582
-101	8	-1.31779
-100	8	-1.78609
-99	8	-2.26088
-98	8	-2.80107
-97	8	-3.33743
-96	8	-3.972
-95	8	-4.69346
-94	8	-5.4971
-93	8	-6.31275
-92	8	-7.28128
-91	8	-8.34459
-90	8	-9.56169
-89	8	-10.9969
-88	8	-12.8051
-87	8	-14.9467
-86	8	-18.1596
-85	8	-22.078
-84	8	-25.3521
-83	8	-22.9749
-82	8	-19.5666
-81	8	-16.4033
-80	8	-13.6799
-79	8	-11.7808
-78	8	-10.2191
-77	8	-8.92127
-76	8	-7.83376
-75	8	-6.89148
-74	8	-6.04659
-73	8	-5.27408
-72	8	-4.56788
-71	8	-3.91781
-70	8	-3.33074
-69	8	-2.781
-68	8	-2.28954
-67	8	-1.82475
-66	8	-1.39847
-65	8	-0.989953
-64	8	-0.625936
-63	8	-0.283316
-62	8	0.0343916
-61	8	0.342029
-60	8	0.637753
-59	8	0.879779
-58	8	1.11615
-57	8	1.34514
-56	8	1.55854
-55	8	1.75646
-54	8	1.95728
-53	8	2.13599
-52	8	2.29653
-51	8	2.44653
-50	8	2.58539
-49	8	2.71627
-48	8	2.83752
-47	8	2.94993
-46	8	3.05251
-45	8	3.14533
-44	8	3.23313
-43	8	3.31459
-42	8	3.38805
-41	8	3.45008
-40	8	3.50991
-39	8	3.5633
-38	8	3.61256
-37	8	3.65645
-36	8	3.69605
-35	8	3.73192
-34	8	3.76052
-33	8	3.7847
-32	8	3.81288
-31	8	3.83865
-30	8	3.85878

-29	8	3.87709
-28	8	3.8961
-27	8	3.89942
-26	8	3.93952
-25	8	3.95129
-24	8	3.96767
-23	8	3.98457
-22	8	3.99321
-21	8	4.00196
-20	8	4.00071
-19	8	4.00105
-18	8	3.99928
-17	8	4.01419
-16	8	4.00373
-15	8	3.99547
-14	8	3.98763
-13	8	3.97886
-12	8	3.98133
-11	8	4.00834
-10	8	4.00131
-9	8	3.99719
-8	8	3.98861
-7	8	3.98556
-6	8	3.98199
-5	8	3.98424
-4	8	3.97512
-3	8	3.97729
-2	8	3.97112
-1	8	3.97227
0	8	3.97149
1	8	3.97478
2	8	3.97796
3	8	3.9824
4	8	3.98858
5	8	3.99346
6	8	4.00028
7	8	3.9586
8	8	3.97555
9	8	3.99589
10	8	4.04703
11	8	4.06876
12	8	4.05695
13	8	4.09169
14	8	4.11629
15	8	4.1407
16	8	4.16537
17	8	4.19135
18	8	4.19598
19	8	4.21737
20	8	4.23228
21	8	4.2523
22	8	4.2774
23	8	4.30577
24	8	4.3257
25	8	4.34905
26	8	4.37379
27	8	4.39929
28	8	4.42329
29	8	4.44799
30	8	4.4763
31	8	4.50327
32	8	4.51397
33	8	4.52651
34	8	4.52656
35	8	4.53313
36	8	4.52992
37	8	4.53804
38	8	4.53108
39	8	4.5385
40	8	4.51959
41	8	4.50141
42	8	4.48146
43	8	4.46109
44	8	4.43606
45	8	4.40741
46	8	4.36741
47	8	4.32299
48	8	4.27965
49	8	4.22962
50	8	4.17213
51	8	4.10798
52	8	4.03875
53	8	3.96444
54	8	3.88163
55	8	3.78965
56	8	3.6913
57	8	3.58741
58	8	3.47146
59	8	3.34411
60	8	3.21155
61	8	3.06569
62	8	2.91304
63	8	2.75025
64	8	2.57553
65	8	2.38696

66	8	2.18799
67	8	1.97529
68	8	1.7632
69	8	1.52082
70	8	1.2709
71	8	0.9906
72	8	0.696668
73	8	0.377524
74	8	0.0387622
75	8	-0.32167
76	8	-0.712537
77	8	-1.133
78	8	-1.5874
79	8	-2.07765
80	8	-2.61244
81	8	-3.17804
82	8	-3.82497
83	8	-4.46601
84	8	-5.21428
85	8	-6.0595
86	8	-7.01567
87	8	-8.0129
88	8	-9.19473
89	8	-10.5496
90	8	-12.1384
91	8	-14.0562
92	8	-16.5036
93	8	-19.3857
94	8	-22.6252
95	8	-22.3828
96	8	-18.928
97	8	-16.181
98	8	-14.1149
99	8	-12.2154
100	8	-10.4188
101	8	-9.13997
102	8	-7.94864
103	8	-7.04924
104	8	-6.15782
105	8	-5.37633
106	8	-4.67029
107	8	-4.01869
108	8	-3.43585
109	8	-2.89058
110	8	-2.38136
111	8	-1.89665
112	8	-1.46952
113	8	-1.05284
114	8	-0.671402
115	8	-0.307518
116	8	0.0178169
117	8	0.321414
118	8	0.604279
119	8	0.873681
120	8	1.12642
121	8	1.38415
122	8	1.58769
123	8	1.7845
124	8	1.99065
125	8	2.17683
126	8	2.34276
127	8	2.49821
128	8	2.64476
129	8	2.78365
130	8	2.91552
131	8	3.03738
132	8	3.14812
133	8	3.25167
134	8	3.34907
135	8	3.43693
136	8	3.51355
137	8	3.58021
138	8	3.6388
139	8	3.68204
140	8	3.72009
141	8	3.75375
142	8	3.79598
143	8	3.84166
144	8	3.88381
145	8	3.91325
146	8	3.93617
147	8	3.97217
148	8	3.98956
149	8	3.99606
150	8	4.00228
151	8	4.00953
152	8	4.01441
153	8	4.01684
154	8	4.01853
155	8	4.02236
156	8	4.02617
157	8	4.02998
158	8	4.03192
159	8	4.03136
160	8	4.02483

161	8	4.01419
162	8	3.99974
163	8	4.00618
164	8	3.99614
165	8	3.9832
166	8	3.96767
167	8	3.96992
168	8	3.95335
169	8	3.97242
170	8	3.96082
171	8	3.95009
172	8	3.93914
173	8	3.93016
174	8	3.92119
175	8	3.9155
176	8	3.90641
177	8	3.90058
178	8	3.89755
179	8	3.89504
180	8	3.89301
-180	9	2.99105
-179	9	2.99361
-178	9	3.00342
-177	9	3.01719
-176	9	3.05412
-175	9	3.07903
-174	9	3.11104
-173	9	3.06245
-172	9	3.09673
-171	9	3.13336
-170	9	3.2205
-169	9	3.26217
-168	9	3.30503
-167	9	3.34862
-166	9	3.39289
-165	9	3.43855
-164	9	3.48435
-163	9	3.5376
-162	9	3.59336
-161	9	3.65005
-160	9	3.6984
-159	9	3.74695
-158	9	3.79223
-157	9	3.85025
-156	9	3.90731
-155	9	3.95804
-154	9	4.00658
-153	9	4.05752
-152	9	4.08827
-151	9	4.14999
-150	9	4.21555
-149	9	4.26892
-148	9	4.32239
-147	9	4.36085
-146	9	4.38453
-145	9	4.41749
-144	9	4.46047
-143	9	4.49553
-142	9	4.52761
-141	9	4.54996
-140	9	4.58523
-139	9	4.60373
-138	9	4.62223
-137	9	4.63641
-136	9	4.64974
-135	9	4.65774
-134	9	4.66002
-133	9	4.65218
-132	9	4.64036
-131	9	4.6273
-130	9	4.60768
-129	9	4.58027
-128	9	4.55001
-127	9	4.51279
-126	9	4.46301
-125	9	4.40267
-124	9	4.33747
-123	9	4.26928
-122	9	4.18785
-121	9	4.10345
-120	9	4.00884
-119	9	3.9038
-118	9	3.78745
-117	9	3.66011
-116	9	3.5231
-115	9	3.36879
-114	9	3.21392
-113	9	3.03093
-112	9	2.84796
-111	9	2.63899
-110	9	2.42212
-109	9	2.19497
-108	9	1.92991
-107	9	1.6372
-106	9	1.33812

-105	9	1.02401
-104	9	0.677932
-103	9	0.298353
-102	9	-0.102365
-101	9	-0.524519
-100	9	-0.98143
-99	9	-1.4819
-98	9	-2.00796
-97	9	-2.56626
-96	9	-3.19636
-95	9	-3.87627
-94	9	-4.63667
-93	9	-5.51479
-92	9	-6.50361
-91	9	-7.63775
-90	9	-8.85362
-89	9	-10.3581
-88	9	-12.1477
-87	9	-14.613
-86	9	-17.5695
-85	9	-21.0397
-84	9	-22.3688
-83	9	-19.6551
-82	9	-16.6968
-81	9	-13.7968
-80	9	-11.7314
-79	9	-10.0395
-78	9	-8.62638
-77	9	-7.42724
-76	9	-6.38942
-75	9	-5.47528
-74	9	-4.65615
-73	9	-3.90719
-72	9	-3.22134
-71	9	-2.62119
-70	9	-2.07953
-69	9	-1.59659
-68	9	-1.14382
-67	9	-0.708681
-66	9	-0.311759
-65	9	0.0544945
-64	9	0.379721
-63	9	0.682272
-62	9	0.959688
-61	9	1.25576
-60	9	1.50227
-59	9	1.71479
-58	9	1.92596
-57	9	2.11481
-56	9	2.29657
-55	9	2.45261
-54	9	2.61345
-53	9	2.76555
-52	9	2.89456
-51	9	3.00803
-50	9	3.11359
-49	9	3.21165
-48	9	3.30221
-47	9	3.38362
-46	9	3.45551
-45	9	3.51628
-44	9	3.56975
-43	9	3.61712
-42	9	3.65635
-41	9	3.68742
-40	9	3.71323
-39	9	3.73378
-38	9	3.75166
-37	9	3.76452
-36	9	3.76586
-35	9	3.77113
-34	9	3.78125
-33	9	3.79105
-32	9	3.79157
-31	9	3.79345
-30	9	3.79602
-29	9	3.79628
-28	9	3.79254
-27	9	3.79389
-26	9	3.77615
-25	9	3.75562
-24	9	3.73691
-23	9	3.70259
-22	9	3.69446
-21	9	3.68152
-20	9	3.63815
-19	9	3.61167
-18	9	3.58357
-17	9	3.55176
-16	9	3.52138
-15	9	3.49028
-14	9	3.45699
-13	9	3.42451
-12	9	3.38707
-11	9	3.35305

-10	9	3.32022
-9	9	3.28705
-8	9	3.2527
-7	9	3.2261
-6	9	3.20188
-5	9	3.18367
-4	9	3.16658
-3	9	3.17619
-2	9	3.16931
-1	9	3.1692
0	9	3.17136
1	9	3.17841
2	9	3.19079
3	9	3.20514
4	9	3.24577
5	9	3.29653
6	9	3.32469
7	9	3.27524
8	9	3.3073
9	9	3.34072
10	9	3.42444
11	9	3.46428
12	9	3.50263
13	9	3.54108
14	9	3.58618
15	9	3.63791
16	9	3.69189
17	9	3.74717
18	9	3.80549
19	9	3.85338
20	9	3.89457
21	9	3.93311
22	9	3.96677
23	9	4.00847
24	9	4.05804
25	9	4.10409
26	9	4.14595
27	9	4.19533
28	9	4.22006
29	9	4.27805
30	9	4.34288
31	9	4.38191
32	9	4.4183
33	9	4.44526
34	9	4.46517
35	9	4.49529
36	9	4.52889
37	9	4.55889
38	9	4.56747
39	9	4.60685
40	9	4.60893
41	9	4.62264
42	9	4.63699
43	9	4.64803
44	9	4.65255
45	9	4.65759
46	9	4.64397
47	9	4.62806
48	9	4.6061
49	9	4.58053
50	9	4.5493
51	9	4.51417
52	9	4.47348
53	9	4.42497
54	9	4.36737
55	9	4.30139
56	9	4.22875
57	9	4.14904
58	9	4.05185
59	9	3.94981
60	9	3.83607
61	9	3.71075
62	9	3.57315
63	9	3.42793
64	9	3.2694
65	9	3.09715
66	9	2.91346
67	9	2.71425
68	9	2.51211
69	9	2.28268
70	9	2.03661
71	9	1.77777
72	9	1.49325
73	9	1.18843
74	9	0.873844
75	9	0.51704
76	9	0.143351
77	9	-0.262516
78	9	-0.700256
79	9	-1.17317
80	9	-1.68236
81	9	-2.23418
82	9	-2.81242
83	9	-3.43284
84	9	-4.15816

85	9	-4.96942
86	9	-5.87016
87	9	-6.89767
88	9	-8.02219
89	9	-9.35472
90	9	-10.9243
91	9	-12.9543
92	9	-15.3225
93	9	-18.4638
94	9	-21.1554
95	9	-20.8252
96	9	-17.6095
97	9	-14.9589
98	9	-12.8629
99	9	-10.8097
100	9	-9.26927
101	9	-7.98525
102	9	-6.88134
103	9	-5.89396
104	9	-5.03059
105	9	-4.27516
106	9	-3.5757
107	9	-2.95902
108	9	-2.38478
109	9	-1.85525
110	9	-1.35178
111	9	-0.90362
112	9	-0.494683
113	9	-0.104229
114	9	0.256556
115	9	0.591543
116	9	0.896013
117	9	1.17377
118	9	1.43559
119	9	1.69825
120	9	1.90046
121	9	2.1113
122	9	2.30502
123	9	2.47889
124	9	2.64576
125	9	2.79889
126	9	2.93882
127	9	3.06569
128	9	3.1814
129	9	3.28565
130	9	3.37723
131	9	3.45908
132	9	3.53438
133	9	3.60293
134	9	3.65512
135	9	3.68797
136	9	3.72138
137	9	3.76467
138	9	3.80354
139	9	3.84402
140	9	3.87451
141	9	3.89452
142	9	3.91175
143	9	3.90592
144	9	3.89977
145	9	3.87689
146	9	3.8557
147	9	3.85675
148	9	3.85021
149	9	3.83613
150	9	3.82042
151	9	3.79662
152	9	3.7771
153	9	3.76452
154	9	3.73909
155	9	3.712
156	9	3.68156
157	9	3.64959
158	9	3.61654
159	9	3.57803
160	9	3.54081
161	9	3.50288
162	9	3.46363
163	9	3.42031
164	9	3.37536
165	9	3.33122
166	9	3.28718
167	9	3.24329
168	9	3.20197
169	9	3.16422
170	9	3.12666
171	9	3.08871
172	9	3.05511
173	9	3.0315
174	9	3.00828
175	9	2.99091
176	9	2.99482
177	9	2.99853
178	9	2.99363
179	9	2.99228

180	9	2.99105
-180	10	1.51685
-179	10	1.48893
-178	10	1.47251
-177	10	1.46082
-176	10	1.45916
-175	10	1.45591
-174	10	1.45705
-173	10	1.32773
-172	10	1.34151
-171	10	1.36575
-170	10	1.46626
-169	10	1.51685
-168	10	1.56143
-167	10	1.65452
-166	10	1.70657
-165	10	1.77539
-164	10	1.8479
-163	10	1.93466
-162	10	2.0319
-161	10	2.13702
-160	10	2.22717
-159	10	2.30916
-158	10	2.38309
-157	10	2.4785
-156	10	2.58198
-155	10	2.67843
-154	10	2.78126
-153	10	2.88435
-152	10	2.99454
-151	10	3.10472
-150	10	3.21027
-149	10	3.30002
-148	10	3.38016
-147	10	3.46286
-146	10	3.54806
-145	10	3.64396
-144	10	3.73781
-143	10	3.80338
-142	10	3.89341
-141	10	3.97448
-140	10	4.06545
-139	10	4.1421
-138	10	4.21662
-137	10	4.26443
-136	10	4.33369
-135	10	4.38085
-134	10	4.43249
-133	10	4.47191
-132	10	4.50448
-131	10	4.53165
-130	10	4.55314
-129	10	4.56869
-128	10	4.57786
-127	10	4.57855
-126	10	4.57205
-125	10	4.5562
-124	10	4.52731
-123	10	4.48966
-122	10	4.44759
-121	10	4.39664
-120	10	4.33389
-119	10	4.26074
-118	10	4.15719
-117	10	4.06762
-116	10	3.96614
-115	10	3.83937
-114	10	3.69931
-113	10	3.53327
-112	10	3.38017
-111	10	3.18827
-110	10	2.9852
-109	10	2.76591
-108	10	2.53445
-107	10	2.27862
-106	10	2.00026
-105	10	1.69868
-104	10	1.36697
-103	10	1.01019
-102	10	0.620934
-101	10	0.216389
-100	10	-0.240192
-99	10	-0.747356
-98	10	-1.26242
-97	10	-1.81269
-96	10	-2.43358
-95	10	-3.15509
-94	10	-3.93082
-93	10	-4.78774
-92	10	-5.74817
-91	10	-6.85303
-90	10	-8.17392
-89	10	-9.72245
-88	10	-11.704
-87	10	-14.452

-86	10	-18.0183
-85	10	-23.6506
-84	10	-28.4844
-83	10	-21.4153
-82	10	-16.9892
-81	10	-13.3231
-80	10	-11.0526
-79	10	-9.50418
-78	10	-8.04855
-77	10	-6.81677
-76	10	-5.7447
-75	10	-4.84139
-74	10	-4.02017
-73	10	-3.29111
-72	10	-2.6349
-71	10	-2.03402
-70	10	-1.50879
-69	10	-1.02815
-68	10	-0.574442
-67	10	-0.137187
-66	10	0.223891
-65	10	0.552636
-64	10	0.855131
-63	10	1.13026
-62	10	1.39613
-61	10	1.6368
-60	10	1.87101
-59	10	2.08771
-58	10	2.27296
-57	10	2.45578
-56	10	2.62517
-55	10	2.76895
-54	10	2.91346
-53	10	3.06014
-52	10	3.18696
-51	10	3.29025
-50	10	3.38401
-49	10	3.47268
-48	10	3.54996
-47	10	3.61449
-46	10	3.6677
-45	10	3.70769
-44	10	3.74021
-43	10	3.75741
-42	10	3.76387
-41	10	3.76652
-40	10	3.76085
-39	10	3.75274
-38	10	3.74034
-37	10	3.73437
-36	10	3.72797
-35	10	3.71338
-34	10	3.69641
-33	10	3.67397
-32	10	3.64225
-31	10	3.60429
-30	10	3.56138
-29	10	3.5126
-28	10	3.45771
-27	10	3.40045
-26	10	3.34458
-25	10	3.28456
-24	10	3.21598
-23	10	3.15716
-22	10	3.10559
-21	10	3.06025
-20	10	3.01319
-19	10	2.95937
-18	10	2.92226
-17	10	2.86242
-16	10	2.81699
-15	10	2.76061
-14	10	2.69535
-13	10	2.62858
-12	10	2.58362
-11	10	2.5177
-10	10	2.44705
-9	10	2.37375
-8	10	2.31112
-7	10	2.26138
-6	10	2.19212
-5	10	2.1353
-4	10	2.08075
-3	10	2.03124
-2	10	1.9927
-1	10	1.95546
0	10	1.93216
1	10	1.90798
2	10	1.89403
3	10	1.88733
4	10	1.8829
5	10	1.88011
6	10	1.8789
7	10	1.75605
8	10	1.77441

9	10	1.80613
10	10	1.92454
11	10	1.97905
12	10	2.0365
13	10	2.09164
14	10	2.16813
15	10	2.23473
16	10	2.29422
17	10	2.34946
18	10	2.4271
19	10	2.51113
20	10	2.59112
21	10	2.65684
22	10	2.72093
23	10	2.80203
24	10	2.90169
25	10	2.99321
26	10	3.08992
27	10	3.18366
28	10	3.28111
29	10	3.38347
30	10	3.48375
31	10	3.57201
32	10	3.64333
33	10	3.7189
34	10	3.79835
35	10	3.8738
36	10	3.96014
37	10	4.00938
38	10	4.07731
39	10	4.17193
40	10	4.23478
41	10	4.29377
42	10	4.35463
43	10	4.39582
44	10	4.44888
45	10	4.49727
46	10	4.53957
47	10	4.57125
48	10	4.59213
49	10	4.60685
50	10	4.61621
51	10	4.61969
52	10	4.60327
53	10	4.60826
54	10	4.57224
55	10	4.54323
56	10	4.50525
57	10	4.45403
58	10	4.39234
59	10	4.32267
60	10	4.2421
61	10	4.1539
62	10	4.03779
63	10	3.92963
64	10	3.80983
65	10	3.66647
66	10	3.50874
67	10	3.33085
68	10	3.15341
69	10	2.94544
70	10	2.71866
71	10	2.47555
72	10	2.22019
73	10	1.93134
74	10	1.62835
75	10	1.29471
76	10	0.925106
77	10	0.531151
78	10	0.105241
79	10	-0.356401
80	10	-0.855148
81	10	-1.39787
82	10	-1.97601
83	10	-2.59736
84	10	-3.32434
85	10	-4.13484
86	10	-5.03202
87	10	-6.04324
88	10	-7.2344
89	10	-8.58906
90	10	-10.1932
91	10	-12.1178
92	10	-14.6319
93	10	-18.4461
94	10	-23.4998
95	10	-25.3789
96	10	-19.8521
97	10	-15.9331
98	10	-13.3057
99	10	-10.7606
100	10	-9.03422
101	10	-7.81575
102	10	-6.62181
103	10	-5.5736

104	10	-4.63459
105	10	-3.83078
106	10	-3.0725
107	10	-2.47211
108	10	-1.88059
109	10	-1.33201
110	10	-0.870963
111	10	-0.426251
112	10	-0.0241635
113	10	0.353176
114	10	0.68096
115	10	1.00728
116	10	1.29955
117	10	1.5689
118	10	1.79417
119	10	2.0141
120	10	2.21455
121	10	2.4016
122	10	2.57728
123	10	2.74279
124	10	2.89633
125	10	3.03888
126	10	3.1661
127	10	3.28378
128	10	3.39135
129	10	3.4704
130	10	3.54633
131	10	3.61421
132	10	3.68009
133	10	3.74675
134	10	3.79239
135	10	3.81173
136	10	3.82795
137	10	3.83862
138	10	3.8397
139	10	3.83689
140	10	3.82612
141	10	3.80738
142	10	3.78594
143	10	3.75397
144	10	3.72364
145	10	3.69146
146	10	3.65333
147	10	3.62039
148	10	3.57422
149	10	3.51999
150	10	3.46254
151	10	3.40448
152	10	3.33698
153	10	3.2658
154	10	3.19753
155	10	3.13662
156	10	3.05981
157	10	2.98681
158	10	2.92039
159	10	2.85304
160	10	2.78176
161	10	2.71689
162	10	2.65758
163	10	2.59696
164	10	2.52988
165	10	2.46368
166	10	2.3907
167	10	2.30684
168	10	2.23556
169	10	2.17548
170	10	2.12032
171	10	2.05319
172	10	1.98647
173	10	1.91711
174	10	1.84639
175	10	1.77949
176	10	1.71757
177	10	1.65561
178	10	1.60174
179	10	1.55566
180	10	1.51685
-180	11	-0.780623
-179	11	-0.803844
-178	11	-0.820251
-177	11	-0.823132
-176	11	-0.816418
-175	11	-0.798823
-174	11	-0.776512
-173	11	-0.910553
-172	11	-0.871979
-171	11	-0.9232
-170	11	-0.739605
-169	11	-0.648447
-168	11	-0.549557
-167	11	-0.448251
-166	11	-0.342601
-165	11	-0.230694
-164	11	-0.115587
-163	11	0.00566708

-162	11	0.0514071
-161	11	0.134326
-160	11	0.307087
-159	11	0.451593
-158	11	0.576585
-157	11	0.736542
-156	11	0.907876
-155	11	1.08302
-154	11	1.2572
-153	11	1.43164
-152	11	1.60713
-151	11	1.78369
-150	11	1.9586
-149	11	2.10991
-148	11	2.25514
-147	11	2.4134
-146	11	2.56848
-145	11	2.70984
-144	11	2.84791
-143	11	2.9883
-142	11	3.13711
-141	11	3.24096
-140	11	3.38309
-139	11	3.5074
-138	11	3.62869
-137	11	3.71219
-136	11	3.82095
-135	11	3.92958
-134	11	4.02282
-133	11	4.12719
-132	11	4.20464
-131	11	4.26751
-130	11	4.33591
-129	11	4.4042
-128	11	4.44021
-127	11	4.47707
-126	11	4.50457
-125	11	4.52044
-124	11	4.52716
-123	11	4.52837
-122	11	4.52197
-121	11	4.50339
-120	11	4.46779
-119	11	4.41881
-118	11	4.39575
-117	11	4.30063
-116	11	4.21538
-115	11	4.11424
-114	11	3.99365
-113	11	3.85657
-112	11	3.71272
-111	11	3.54885
-110	11	3.37348
-109	11	3.1682
-108	11	2.9488
-107	11	2.70303
-106	11	2.43641
-105	11	2.14276
-104	11	1.82276
-103	11	1.47686
-102	11	1.08438
-101	11	0.686015
-100	11	0.224095
-99	11	-0.269886
-98	11	-0.806594
-97	11	-1.36395
-96	11	-2.01224
-95	11	-2.72841
-94	11	-3.53177
-93	11	-4.4674
-92	11	-5.45773
-91	11	-6.61555
-90	11	-7.97983
-89	11	-9.54416
-88	11	-11.6753
-87	11	-14.3996
-86	11	-18.4701
-85	11	-26.0209
-84	11	-29.7399
-83	11	-19.9445
-82	11	-15.4847
-81	11	-12.0205
-80	11	-10.2927
-79	11	-8.54252
-78	11	-7.13934
-77	11	-5.92588
-76	11	-4.8469
-75	11	-3.96214
-74	11	-3.19293
-73	11	-2.49347
-72	11	-1.85162
-71	11	-1.27324
-70	11	-0.750242
-69	11	-0.291598
-68	11	-0.0475263

-67	11	0.524044
-66	11	0.878257
-65	11	1.19734
-64	11	1.48311
-63	11	1.76126
-62	11	1.99415
-61	11	2.18896
-60	11	2.37339
-59	11	2.56144
-58	11	2.73053
-57	11	2.8647
-56	11	2.99598
-55	11	3.1117
-54	11	3.21626
-53	11	3.32211
-52	11	3.41492
-51	11	3.48408
-50	11	3.53657
-49	11	3.5805
-48	11	3.60001
-47	11	3.61274
-46	11	3.61223
-45	11	3.59982
-44	11	3.57935
-43	11	3.5542
-42	11	3.51775
-41	11	3.48601
-40	11	3.44636
-39	11	3.40126
-38	11	3.32771
-37	11	3.26894
-36	11	3.20223
-35	11	3.12648
-34	11	3.0463
-33	11	2.96322
-32	11	2.87287
-31	11	2.78128
-30	11	2.68256
-29	11	2.5858
-28	11	2.48327
-27	11	2.38205
-26	11	2.28196
-25	11	2.17967
-24	11	2.0741
-23	11	1.96663
-22	11	1.85513
-21	11	1.74696
-20	11	1.63403
-19	11	1.53133
-18	11	1.40042
-17	11	1.24284
-16	11	1.1215
-15	11	1.03711
-14	11	0.906379
-13	11	0.8011
-12	11	0.703597
-11	11	0.612921
-10	11	0.518294
-9	11	0.429822
-8	11	0.246649
-7	11	0.152396
-6	11	0.0532972
-5	11	0.0336863
-4	11	-0.0162551
-3	11	-0.0562778
-2	11	-0.0868521
-1	11	-0.113752
0	11	-0.134234
1	11	-0.14749
2	11	-0.152743
3	11	-0.149031
4	11	-0.133045
5	11	-0.109012
6	11	-0.082743
7	11	-0.205383
8	11	-0.164018
9	11	-0.202067
10	11	-0.0304529
11	11	0.0449151
12	11	0.118169
13	11	0.202808
14	11	0.293259
15	11	0.395886
16	11	0.503733
17	11	0.622673
18	11	0.75845
19	11	0.833952
20	11	0.979209
21	11	1.09461
22	11	1.20977
23	11	1.36774
24	11	1.53122
25	11	1.68535
26	11	1.83203
27	11	1.97896

28	11	2.12488
29	11	2.27312
30	11	2.42101
31	11	2.55121
32	11	2.67644
33	11	2.81348
34	11	2.95016
35	11	3.08287
36	11	3.21515
37	11	3.34336
38	11	3.4696
39	11	3.58909
40	11	3.69558
41	11	3.80634
42	11	3.89913
43	11	3.97056
44	11	4.0658
45	11	4.15467
46	11	4.23686
47	11	4.32549
48	11	4.39753
49	11	4.4523
50	11	4.50593
51	11	4.56012
52	11	4.58525
53	11	4.60978
54	11	4.62166
55	11	4.61784
56	11	4.60288
57	11	4.58058
58	11	4.54755
59	11	4.50615
60	11	4.44289
61	11	4.38163
62	11	4.33943
63	11	4.22198
64	11	4.11731
65	11	4.00007
66	11	3.86455
67	11	3.71253
68	11	3.55145
69	11	3.3697
70	11	3.17325
71	11	2.95648
72	11	2.7163
73	11	2.44783
74	11	2.14849
75	11	1.83116
76	11	1.47289
77	11	1.09664
78	11	0.683224
79	11	0.230851
80	11	-0.268032
81	11	-0.818727
82	11	-1.42353
83	11	-2.06663
84	11	-2.79197
85	11	-3.60463
86	11	-4.54783
87	11	-5.53555
88	11	-6.69137
89	11	-8.11126
90	11	-9.75341
91	11	-11.8138
92	11	-14.8052
93	11	-18.9618
94	11	-26.381
95	11	-27.1641
96	11	-18.9746
97	11	-14.9372
98	11	-12.2583
99	11	-9.80851
100	11	-8.52946
101	11	-7.14631
102	11	-5.99008
103	11	-4.96252
104	11	-4.01109
105	11	-3.17815
106	11	-2.4456
107	11	-1.77585
108	11	-1.22684
109	11	-0.689494
110	11	-0.195814
111	11	0.223822
112	11	0.443424
113	11	0.95442
114	11	1.28055
115	11	1.57689
116	11	1.82204
117	11	2.06695
118	11	2.28
119	11	2.47168
120	11	2.6462
121	11	2.78497
122	11	2.92413

123	11	3.05271
124	11	3.17143
125	11	3.27377
126	11	3.35065
127	11	3.40867
128	11	3.48477
129	11	3.55841
130	11	3.61035
131	11	3.64731
132	11	3.65653
133	11	3.66269
134	11	3.65089
135	11	3.62542
136	11	3.61462
137	11	3.58761
138	11	3.53507
139	11	3.47466
140	11	3.40902
141	11	3.3449
142	11	3.24779
143	11	3.17111
144	11	3.08775
145	11	2.9868
146	11	2.8869
147	11	2.80064
148	11	2.69942
149	11	2.59813
150	11	2.49531
151	11	2.39346
152	11	2.28656
153	11	2.17441
154	11	2.05829
155	11	1.92907
156	11	1.79407
157	11	1.66534
158	11	1.54322
159	11	1.411
160	11	1.28025
161	11	1.14505
162	11	0.969785
163	11	0.84076
164	11	0.710198
165	11	0.582004
166	11	0.459665
167	11	0.348031
168	11	0.240934
169	11	0.133232
170	11	0.031942
171	11	-0.061893
172	11	-0.269092
173	11	-0.379212
174	11	-0.494301
175	11	-0.53255
176	11	-0.598488
177	11	-0.654029
178	11	-0.702077
179	11	-0.746112
180	11	-0.780623
-180	12	-3.69254
-179	12	-3.73714
-178	12	-3.74731
-177	12	-3.74481
-176	12	-3.7467
-175	12	-3.74265
-174	12	-3.72952
-173	12	-3.68665
-172	12	-3.63385
-171	12	-3.56547
-170	12	-3.53259
-169	12	-3.45976
-168	12	-3.37438
-167	12	-3.25753
-166	12	-3.12362
-165	12	-2.98477
-164	12	-2.82188
-163	12	-2.65137
-162	12	-2.46832
-161	12	-2.34174
-160	12	-2.1201
-159	12	-1.92732
-158	12	-1.76742
-157	12	-1.56776
-156	12	-1.49534
-155	12	-1.24868
-154	12	-1.00107
-153	12	-0.748045
-152	12	-0.493433
-151	12	-0.231733
-150	12	0.0222584
-149	12	0.252775
-148	12	0.478253
-147	12	0.720774
-146	12	0.971151
-145	12	1.20769
-144	12	1.43584

-143	12	2.92394
-142	12	1.90265
-141	12	2.06759
-140	12	2.33038
-139	12	2.48695
-138	12	2.67563
-137	12	2.85527
-136	12	3.03222
-135	12	3.20798
-134	12	3.37014
-133	12	3.51929
-132	12	3.6381
-131	12	3.75946
-130	12	3.88622
-129	12	4.00087
-128	12	4.10814
-127	12	4.19848
-126	12	4.25991
-125	12	4.32825
-124	12	4.38536
-123	12	4.42767
-122	12	4.45849
-121	12	4.47909
-120	12	4.48152
-119	12	4.47484
-118	12	4.4604
-117	12	4.43089
-116	12	4.37484
-115	12	4.3079
-114	12	4.22842
-113	12	4.12969
-112	12	4.01816
-111	12	3.88347
-110	12	3.72308
-109	12	3.56104
-108	12	3.36899
-107	12	3.14841
-106	12	2.91665
-105	12	2.67281
-104	12	2.3755
-103	12	2.0491
-102	12	1.68955
-101	12	1.29261
-100	12	0.863203
-99	12	0.398572
-98	12	-0.123179
-97	12	-0.732008
-96	12	-1.36628
-95	12	-2.072
-94	12	-2.86282
-93	12	-3.75796
-92	12	-4.79681
-91	12	-5.95425
-90	12	-7.31639
-89	12	-8.98432
-88	12	-11.2962
-87	12	-14.0144
-86	12	-18.0397
-85	12	-26.3441
-84	12	-28.6763
-83	12	-18.8374
-82	12	-14.3584
-81	12	-11.6296
-80	12	-9.55219
-79	12	-7.80805
-78	12	-6.42166
-77	12	-5.27989
-76	12	-4.26766
-75	12	-3.37629
-74	12	-2.59153
-73	12	-1.88351
-72	12	-1.25648
-71	12	-0.695052
-70	12	-0.213112
-69	12	0.243017
-68	12	0.665795
-67	12	1.05424
-66	12	1.38874
-65	12	1.68212
-64	12	1.95307
-63	12	2.18542
-62	12	2.3963
-61	12	2.58233
-60	12	2.74942
-59	12	2.90649
-58	12	3.03391
-57	12	3.11802
-56	12	3.22566
-55	12	3.80446
-54	12	3.37563
-53	12	3.41768
-52	12	3.47155
-51	12	3.50127
-50	12	3.50353
-49	12	3.50013

-48	12	3.46958
-47	12	3.43682
-46	12	3.41031
-45	12	3.37092
-44	12	3.31934
-43	12	3.2489
-42	12	3.16876
-41	12	3.07073
-40	12	2.96995
-39	12	2.86216
-38	12	2.74451
-37	12	2.62427
-36	12	2.49982
-35	12	2.37608
-34	12	2.24292
-33	12	2.11286
-32	12	1.96623
-31	12	1.81958
-30	12	1.66901
-29	12	1.51542
-28	12	1.35609
-27	12	1.19513
-26	12	1.02824
-25	12	0.858202
-24	12	0.686166
-23	12	0.42238
-22	12	0.230978
-21	12	0.0383399
-20	12	-0.156379
-19	12	-0.344123
-18	12	-0.610453
-17	12	-0.801805
-16	12	-0.988607
-15	12	-1.16864
-14	12	-1.34806
-13	12	-1.4841
-12	12	-1.67224
-11	12	-1.83273
-10	12	-1.98461
-9	12	-2.10998
-8	12	-2.35755
-7	12	-2.48656
-6	12	-2.59713
-5	12	-2.57819
-4	12	-2.6549
-3	12	-2.7322
-2	12	-2.7886
-1	12	-2.83257
0	12	-2.86548
1	12	-2.87452
2	12	-2.86752
3	12	-2.84903
4	12	-2.835
5	12	-2.81486
6	12	-2.78683
7	12	-2.77155
8	12	-2.74776
9	12	-2.71882
10	12	-2.673
11	12	-2.59474
12	12	-2.49278
13	12	-2.36499
14	12	-2.22785
15	12	-2.08912
16	12	-1.93429
17	12	-1.77712
18	12	-1.60971
19	12	-1.49511
20	12	-1.29605
21	12	-1.11707
22	12	-0.962111
23	12	-0.77757
24	12	-0.637532
25	12	-0.404341
26	12	-0.171061
27	12	0.0643323
28	12	0.297452
29	12	0.534805
30	12	0.761346
31	12	0.965113
32	12	1.17503
33	12	1.39616
34	12	1.60952
35	12	1.81409
36	12	2.01608
37	12	3.40412
38	12	2.41684
39	12	2.61302
40	12	2.81239
41	12	2.93589
42	12	3.07438
43	12	3.22868
44	12	3.38099
45	12	3.53573
46	12	3.6895

47	12	3.82854
48	12	3.93656
49	12	4.04167
50	12	4.15519
51	12	4.26578
52	12	4.35245
53	12	4.43157
54	12	4.47366
55	12	4.52098
56	12	4.56117
57	12	4.58239
58	12	4.5922
59	12	4.59533
60	12	4.58181
61	12	4.55765
62	12	4.52055
63	12	4.46721
64	12	4.39745
65	12	4.31301
66	12	4.20167
67	12	4.08311
68	12	3.95096
69	12	3.79457
70	12	3.62157
71	12	3.42234
72	12	3.20223
73	12	2.96086
74	12	2.6914
75	12	2.41161
76	12	2.09497
77	12	1.74013
78	12	1.34635
79	12	0.921016
80	12	0.453572
81	12	-0.0624496
82	12	-0.635124
83	12	-1.31398
84	12	-2.06344
85	12	-2.84081
86	12	-3.72938
87	12	-4.74521
88	12	-5.93039
89	12	-7.2246
90	12	-8.8657
91	12	-10.8933
92	12	-13.7283
93	12	-17.5829
94	12	-24.8437
95	12	-31.7308
96	12	-39.4388
97	12	-47.7476
98	12	-56.5922
99	12	-65.8312
100	12	-75.5505
101	12	-85.7816
102	12	-96.50667
103	12	-107.72888
104	12	-119.45774
105	12	-131.68451
106	12	-144.40991
107	12	-157.63501
108	12	-171.35991
109	12	-185.58482
110	12	-200.30972
111	12	-215.53462
112	12	-231.25952
113	12	-247.48442
114	12	-264.20932
115	12	-281.43422
116	12	-299.15912
117	12	-317.38402
118	12	-336.10892
119	12	-355.33382
120	12	-375.05872
121	12	-395.28362
122	12	-416.00852
123	12	-437.23342
124	12	-458.95832
125	12	-481.18322
126	12	-503.90812
127	12	-527.13302
128	12	-550.85792
129	12	-575.08282
130	12	-600.80772
131	12	-627.03262
132	12	-653.75752
133	12	-681.08242
134	12	-708.90732
135	12	-737.23222
136	12	-766.05712
137	12	-795.38202
138	12	-825.20692
139	12	-855.53182
140	12	-886.35672
141	12	-917.68162

142	12	2.58818
143	12	2.44561
144	12	2.30643
145	12	2.15876
146	12	1.99497
147	12	1.86259
148	12	1.70554
149	12	1.54067
150	12	1.37283
151	12	1.1984
152	12	1.02136
153	12	0.849922
154	12	0.667043
155	12	0.487134
156	12	0.300317
157	12	0.051715
158	12	-0.150112
159	12	-0.372527
160	12	-0.591619
161	12	-0.802946
162	12	-1.10657
163	12	-1.32092
164	12	-1.53466
165	12	-1.74458
166	12	-1.9444
167	12	-2.12047
168	12	-2.30114
169	12	-2.48204
170	12	-2.65821
171	12	-2.8134
172	12	-3.04104
173	12	-3.20669
174	12	-3.3402
175	12	-3.37459
176	12	-3.46103
177	12	-3.53402
178	12	-3.59286
179	12	-3.64439
180	12	-3.69254
-180	13	-6.20562
-179	13	-6.23726
-178	13	-6.27071
-177	13	-6.29543
-176	13	-6.32856
-175	13	-6.35475
-174	13	-6.35785
-173	13	-6.17999
-172	13	-6.19128
-171	13	-6.18995
-170	13	-6.364
-169	13	-6.36047
-168	13	-6.31853
-167	13	-6.27174
-166	13	-6.20281
-165	13	-6.11621
-164	13	-6.00824
-163	13	-5.86939
-162	13	-5.70825
-161	13	-5.49742
-160	13	-5.23407
-159	13	-5.00353
-158	13	-4.80457
-157	13	-4.55739
-156	13	-4.28064
-155	13	-4.04642
-154	13	-3.73551
-153	13	-3.47874
-152	13	-3.20813
-151	13	-2.86239
-150	13	-2.37538
-149	13	-2.21392
-148	13	-1.89236
-147	13	-1.50984
-146	13	-1.16864
-145	13	-0.835812
-144	13	-0.501348
-143	13	-0.154926
-142	13	0.143446
-141	13	0.44298
-140	13	0.777263
-139	13	1.07308
-138	13	1.36017
-137	13	1.63882
-136	13	1.90635
-135	13	2.14644
-134	13	2.38047
-133	13	2.6023
-132	13	2.8146
-131	13	3.01713
-130	13	3.2104
-129	13	3.37186
-128	13	3.54127
-127	13	3.68937
-126	13	3.82219
-125	13	3.92755

-124	13	4.04463
-123	13	4.11563
-122	13	4.19955
-121	13	4.26817
-120	13	4.31848
-119	13	4.35479
-118	13	4.37908
-117	13	4.39209
-116	13	4.38826
-115	13	4.373
-114	13	4.33931
-113	13	4.28746
-112	13	4.18223
-111	13	4.08267
-110	13	3.94493
-109	13	3.80877
-108	13	3.64347
-107	13	3.45448
-106	13	3.24161
-105	13	3.00331
-104	13	2.7319
-103	13	2.42816
-102	13	2.10183
-101	13	1.74319
-100	13	1.31416
-99	13	0.826628
-98	13	0.319675
-97	13	-0.296867
-96	13	-0.940029
-95	13	-1.66901
-94	13	-2.4658
-93	13	-3.37367
-92	13	-4.42572
-91	13	-5.6081
-90	13	-6.97735
-89	13	-8.78342
-88	13	-11.0227
-87	13	-13.9956
-86	13	-18.2749
-85	13	-27.1727
-84	13	-25.3399
-83	13	-16.9501
-82	13	-13.0757
-81	13	-10.4336
-80	13	-8.48945
-79	13	-6.89917
-78	13	-5.56944
-77	13	-4.48495
-76	13	-3.53771
-75	13	-2.69189
-74	13	-1.93049
-73	13	-1.29206
-72	13	-0.70417
-71	13	-0.167999
-70	13	0.307627
-69	13	0.736259
-68	13	1.12888
-67	13	1.51547
-66	13	1.84646
-65	13	2.13511
-64	13	2.38584
-63	13	2.59202
-62	13	2.75953
-61	13	2.91684
-60	13	3.05323
-59	13	3.1648
-58	13	3.24991
-57	13	3.3206
-56	13	3.37003
-55	13	3.39639
-54	13	3.36417
-53	13	3.36016
-52	13	3.36977
-51	13	3.36906
-50	13	3.30064
-49	13	3.27872
-48	13	3.30766
-47	13	3.17324
-46	13	3.09511
-45	13	2.9986
-44	13	2.87286
-43	13	2.72524
-42	13	2.56433
-41	13	2.41214
-40	13	2.25739
-39	13	2.10271
-38	13	1.94185
-37	13	1.77044
-36	13	1.58833
-35	13	1.3959
-34	13	1.19692
-33	13	0.981467
-32	13	0.769035
-31	13	0.541977
-30	13	0.317081

-29	13	0.075453
-28	13	-0.167892
-27	13	-0.480238
-26	13	-0.780722
-25	13	-1.04261
-24	13	-1.38771
-23	13	-1.66106
-22	13	-1.93896
-21	13	-2.23057
-20	13	-2.52792
-19	13	-2.80655
-18	13	-3.08227
-17	13	-3.36038
-16	13	-3.61679
-15	13	-3.87561
-14	13	-4.11232
-13	13	-4.31062
-12	13	-4.50976
-11	13	-4.6393
-10	13	-4.85922
-9	13	-5.03638
-8	13	-5.05636
-7	13	-5.18124
-6	13	-5.29779
-5	13	-5.5087
-4	13	-5.61432
-3	13	-5.69785
-2	13	-5.72952
-1	13	-5.77309
0	13	-5.78587
1	13	-5.83011
2	13	-5.88466
3	13	-5.95063
4	13	-6.01877
5	13	-6.05156
6	13	-6.04423
7	13	-5.83924
8	13	-5.81205
9	13	-5.76831
10	13	-5.86217
11	13	-5.78991
12	13	-5.68523
13	13	-5.5846
14	13	-5.46649
15	13	-5.34325
16	13	-5.19915
17	13	-5.01219
18	13	-4.82316
19	13	-4.58138
20	13	-4.27851
21	13	-4.00628
22	13	-3.78042
23	13	-3.53036
24	13	-3.24647
25	13	-3.0084
26	13	-2.71379
27	13	-2.46298
28	13	-2.13773
29	13	-1.81226
30	13	-1.39765
31	13	-1.21821
32	13	-0.925044
33	13	-0.608995
34	13	-0.326048
35	13	-0.0290759
36	13	0.289531
37	13	0.607292
38	13	0.890125
39	13	1.19329
40	13	1.44833
41	13	1.71145
42	13	1.96241
43	13	2.20751
44	13	2.45051
45	13	2.65953
46	13	2.86487
47	13	3.06252
48	13	3.24678
49	13	3.42686
50	13	3.59722
51	13	3.74366
52	13	3.9003
53	13	4.03163
54	13	4.14556
55	13	4.23495
56	13	4.32558
57	13	4.38635
58	13	4.4534
59	13	4.49988
60	13	4.52333
61	13	4.53519
62	13	4.53578
63	13	4.52085
64	13	4.49446
65	13	4.45343

66	13	4.39609
67	13	4.31644
68	13	4.20533
69	13	4.07851
70	13	3.91942
71	13	3.74979
72	13	3.55622
73	13	3.3405
74	13	3.09319
75	13	2.82828
76	13	2.5256
77	13	2.19065
78	13	1.81609
79	13	1.40575
80	13	0.949474
81	13	0.433934
82	13	-0.155674
83	13	-0.801801
84	13	-1.47903
85	13	-2.2681
86	13	-3.15042
87	13	-4.18856
88	13	-5.36898
89	13	-6.74592
90	13	-8.37549
91	13	-10.5865
92	13	-13.4164
93	13	-17.7654
94	13	-26.4061
95	13	-29.5212
96	13	-18.2101
97	13	-13.6208
98	13	-10.9009
99	13	-8.82946
100	13	-7.202
101	13	-5.82266
102	13	-4.65536
103	13	-3.65463
104	13	-2.78893
105	13	-2.03375
106	13	-1.36257
107	13	-0.74766
108	13	-0.208042
109	13	0.263838
110	13	0.698063
111	13	1.05479
112	13	1.41444
113	13	1.76909
114	13	2.0732
115	13	2.35747
116	13	2.5841
117	13	2.78464
118	13	2.93077
119	13	3.04611
120	13	3.1543
121	13	3.27512
122	13	3.36171
123	13	3.42321
124	13	3.4457
125	13	3.4721
126	13	3.45842
127	13	3.45451
128	13	3.41435
129	13	3.3892
130	13	3.31076
131	13	3.26094
132	13	3.26819
133	13	3.12796
134	13	3.04323
135	13	2.91826
136	13	2.76935
137	13	2.60571
138	13	2.43811
139	13	2.2635
140	13	2.08291
141	13	1.90783
142	13	1.72298
143	13	1.52742
144	13	1.32576
145	13	1.11553
146	13	0.871341
147	13	0.67505
148	13	0.442855
149	13	0.195616
150	13	-0.0468744
151	13	-0.316087
152	13	-0.583332
153	13	-0.873696
154	13	-1.18136
155	13	-1.46038
156	13	-1.82112
157	13	-2.10739
158	13	-2.39659
159	13	-2.70182
160	13	-3.00485

161	13	-3.29885
162	13	-3.59296
163	13	-3.87298
164	13	-4.16039
165	13	-4.43055
166	13	-4.66818
167	13	-4.88325
168	13	-5.07062
169	13	-5.23601
170	13	-5.37922
171	13	-5.48982
172	13	-5.44061
173	13	-5.5383
174	13	-5.62974
175	13	-5.9013
176	13	-5.96245
177	13	-5.97552
178	13	-6.05137
179	13	-6.1473
180	13	-6.20562
-180	14	-5.38036
-179	14	-5.30149
-178	14	-5.31625
-177	14	-5.37166
-176	14	-5.39992
-175	14	-5.44796
-174	14	-5.51819
-173	14	-5.39077
-172	14	-5.49039
-171	14	-5.60972
-170	14	-5.91506
-169	14	-6.05468
-168	14	-6.19328
-167	14	-6.33713
-166	14	-6.51176
-165	14	-6.64669
-164	14	-6.75155
-163	14	-6.87567
-162	14	-6.99339
-161	14	-7.06577
-160	14	-7.10219
-159	14	-7.11472
-158	14	-7.02423
-157	14	-6.97072
-156	14	-5.48747
-155	14	-6.79222
-154	14	-6.55892
-153	14	-6.44267
-152	14	-5.98045
-151	14	-5.65544
-150	14	-5.38412
-149	14	-5.05062
-148	14	-4.72639
-147	14	-4.31486
-146	14	-3.89007
-145	14	-3.46
-144	14	-3.02489
-143	14	-2.5889
-142	14	-3.56626
-141	14	-1.72714
-140	14	-1.26768
-139	14	-0.850631
-138	14	-0.450218
-137	14	-0.061595
-136	14	0.320225
-135	14	0.679757
-134	14	1.0283
-133	14	1.36142
-132	14	1.67098
-131	14	1.95761
-130	14	2.23084
-129	14	2.48615
-128	14	2.72079
-127	14	2.95029
-126	14	3.1176
-125	14	3.30195
-124	14	3.52728
-123	14	3.68333
-122	14	3.85176
-121	14	3.97322
-120	14	4.0535
-119	14	4.15151
-118	14	4.22476
-117	14	4.27363
-116	14	4.30765
-115	14	4.32429
-114	14	4.31636
-113	14	4.29457
-112	14	4.25848
-111	14	4.18768
-110	14	4.09038
-109	14	3.96811
-108	14	3.84368
-107	14	3.67975
-106	14	3.49001

-105	14	3.2677
-104	14	3.0175
-103	14	2.73003
-102	14	2.39358
-101	14	2.03333
-100	14	1.6282
-99	14	1.15988
-98	14	0.64501
-97	14	0.0406938
-96	14	-0.594605
-95	14	-1.31002
-94	14	-2.11577
-93	14	-3.03888
-92	14	-4.09868
-91	14	-5.33604
-90	14	-6.71356
-89	14	-8.58029
-88	14	-10.8623
-87	14	-13.9605
-86	14	-18.5265
-85	14	-26.0831
-84	14	-21.9872
-83	14	-15.8618
-82	14	-12.1327
-81	14	-9.55957
-80	14	-7.63202
-79	14	-6.10478
-78	14	-4.8503
-77	14	-3.76964
-76	14	-2.88122
-75	14	-2.01685
-74	14	-1.30358
-73	14	-0.708553
-72	14	-0.10911
-71	14	0.376349
-70	14	0.827428
-69	14	1.21758
-68	14	1.57271
-67	14	1.90727
-66	14	2.18688
-65	14	2.46487
-64	14	2.67246
-63	14	2.85667
-62	14	3.03651
-61	14	3.17336
-60	14	3.27855
-59	14	3.30765
-58	14	3.35387
-57	14	3.32799
-56	14	3.38744
-55	14	3.38127
-54	14	3.35184
-53	14	3.28064
-52	14	3.24211
-51	14	3.16812
-50	14	3.04258
-49	14	2.98713
-48	14	2.86453
-47	14	2.69391
-46	14	2.51935
-45	14	2.37607
-44	14	3.11613
-43	14	1.98474
-42	14	0.147503
-41	14	1.58049
-40	14	1.36534
-39	14	1.13786
-38	14	0.899391
-37	14	0.645343
-36	14	0.378673
-35	14	0.0956541
-34	14	-0.196841
-33	14	-0.505746
-32	14	-0.812433
-31	14	-1.20221
-30	14	-1.52625
-29	14	-2.00917
-28	14	-2.34185
-27	14	-2.68802
-26	14	-3.04168
-25	14	-3.34156
-24	14	-3.68661
-23	14	-4.01383
-22	14	-4.32705
-21	14	-4.65165
-20	14	-5.01591
-19	14	-5.29181
-18	14	-5.53699
-17	14	-5.72746
-16	14	-5.91599
-15	14	-6.08006
-14	14	-6.2516
-13	14	-6.35559
-12	14	-6.39613
-11	14	-6.42311

-10	14	-6.45295
-9	14	-6.46262
-8	14	-6.16996
-7	14	-6.16786
-6	14	-6.1726
-5	14	-6.46788
-4	14	-6.45229
-3	14	-6.45509
-2	14	-6.42099
-1	14	-6.38716
0	14	-6.42205
1	14	-6.45534
2	14	-6.44504
3	14	-6.55107
4	14	-6.61077
5	14	-6.68426
6	14	-6.75915
7	14	-6.57966
8	14	-6.63814
9	14	-6.70044
10	14	-7.00019
11	14	-7.09517
12	14	-7.19091
13	14	-7.29009
14	14	-7.40612
15	14	-7.47447
16	14	-7.4961
17	14	-7.49461
18	14	-7.46796
19	14	-7.38238
20	14	-7.25138
21	14	-7.10452
22	14	-6.87796
23	14	-6.68467
24	14	-4.23618
25	14	-6.20703
26	14	-5.81878
27	14	-5.58518
28	14	-5.12603
29	14	-4.72088
30	14	-4.4378
31	14	-4.0729
32	14	-3.67003
33	14	-3.25192
34	14	-2.82924
35	14	-2.40797
36	14	-1.9922
37	14	-1.5771
38	14	-2.34276
39	14	-0.748326
40	14	-0.386672
41	14	-0.005065
42	14	0.364946
43	14	0.710293
44	14	1.04898
45	14	1.36928
46	14	1.67933
47	14	1.97736
48	14	2.25573
49	14	2.51427
50	14	2.76345
51	14	2.99655
52	14	3.20567
53	14	3.41704
54	14	3.57645
55	14	3.75291
56	14	3.91612
57	14	4.06031
58	14	4.18822
59	14	4.29559
60	14	4.35502
61	14	4.42261
62	14	4.46974
63	14	4.49803
64	14	4.50645
65	14	4.49828
66	14	4.47983
67	14	4.43218
68	14	4.34828
69	14	4.25034
70	14	4.13283
71	14	3.99379
72	14	3.83321
73	14	3.64544
74	14	3.41274
75	14	3.16985
76	14	2.88883
77	14	2.57112
78	14	2.21205
79	14	1.81532
80	14	1.36812
81	14	0.859554
82	14	0.330275
83	14	-0.324831
84	14	-1.02405

85	14	-1.81862
86	14	-2.70407
87	14	-3.7044
88	14	-4.90708
89	14	-6.35531
90	14	-8.00136
91	14	-10.2314
92	14	-13.1543
93	14	-17.5469
94	14	-26.1729
95	14	-26.2706
96	14	-17.3467
97	14	-12.9908
98	14	-10.184
99	14	-8.15183
100	14	-6.51378
101	14	-5.14306
102	14	-3.98852
103	14	-3.01171
104	14	-2.18853
105	14	-1.4786
106	14	-0.815629
107	14	-0.271233
108	14	0.24433
109	14	0.707071
110	14	1.13087
111	14	1.50891
112	14	1.8359
113	14	2.13594
114	14	2.40073
115	14	2.63052
116	14	2.80674
117	14	2.99884
118	14	3.16019
119	14	3.28408
120	14	3.36661
121	14	3.38315
122	14	3.42243
123	14	3.4023
124	14	3.44419
125	14	3.42899
126	14	3.38002
127	14	3.30084
128	14	3.23539
129	14	3.14305
130	14	3.02712
131	14	2.90842
132	14	2.78553
133	14	2.6314
134	14	2.42159
135	14	2.24871
136	14	3.06479
137	14	1.84046
138	14	-0.123564
139	14	1.38986
140	14	1.15211
141	14	0.905456
142	14	0.633815
143	14	0.365753
144	14	0.0874022
145	14	-0.198652
146	14	-0.545406
147	14	-0.828401
148	14	-1.16241
149	14	-1.4807
150	14	-1.85281
151	14	-2.33956
152	14	-2.676
153	14	-3.0131
154	14	-3.36904
155	14	-3.67241
156	14	-4.00539
157	14	-4.32057
158	14	-4.60284
159	14	-4.89365
160	14	-5.20179
161	14	-5.43617
162	14	-5.63024
163	14	-5.79125
164	14	-5.91699
165	14	-5.96312
166	14	-5.98864
167	14	-5.97711
168	14	-5.93723
169	14	-5.90196
170	14	-5.85078
171	14	-5.79002
172	14	-5.43424
173	14	-5.3688
174	14	-5.31462
175	14	-5.5122
176	14	-5.45254
177	14	-5.41757
178	14	-5.3783
179	14	-5.38209

180	14	-5.38036
-180	15	-2.51224
-179	15	-2.47451
-178	15	-2.44843
-177	15	-2.47689
-176	15	-2.45682
-175	15	-2.48454
-174	15	-2.60797
-173	15	-2.57298
-172	15	-2.65483
-171	15	-2.71797
-170	15	-2.91578
-169	15	-3.03645
-168	15	-3.1528
-167	15	-3.30805
-166	15	-3.47398
-165	15	-3.6508
-164	15	-3.8586
-163	15	-4.0673
-162	15	-4.29775
-161	15	-4.56319
-160	15	-4.83545
-159	15	-5.15091
-158	15	-3.92741
-157	15	-5.64517
-156	15	-5.96764
-155	15	-6.29682
-154	15	-6.56555
-153	15	-6.7955
-152	15	-7.0064
-151	15	-7.13671
-150	15	-7.19001
-149	15	-7.16557
-148	15	-7.04709
-147	15	-6.84759
-146	15	-6.57634
-145	15	-6.26261
-144	15	-5.86829
-143	15	-5.42074
-142	15	-4.93687
-141	15	-4.42662
-140	15	-3.86194
-139	15	-3.32855
-138	15	-2.79565
-137	15	-2.28424
-136	15	-1.76986
-135	15	-1.2499
-134	15	-0.755217
-133	15	-0.312409
-132	15	0.132128
-131	15	0.546517
-130	15	0.950017
-129	15	1.33764
-128	15	1.68246
-127	15	1.99836
-126	15	2.29569
-125	15	2.57601
-124	15	2.84056
-123	15	3.06779
-122	15	3.30071
-121	15	3.50855
-120	15	3.68727
-119	15	3.83728
-118	15	3.96584
-117	15	4.05018
-116	15	4.11821
-115	15	4.18063
-114	15	4.22017
-113	15	4.23803
-112	15	4.22568
-111	15	4.20657
-110	15	4.16379
-109	15	4.08183
-108	15	3.95347
-107	15	3.8182
-106	15	3.64035
-105	15	3.44495
-104	15	3.20199
-103	15	2.91887
-102	15	2.60655
-101	15	2.26048
-100	15	1.87361
-99	15	1.41946
-98	15	0.918487
-97	15	0.320429
-96	15	-0.291984
-95	15	-1.06765
-94	15	-1.84061
-93	15	-2.74175
-92	15	-3.83857
-91	15	-5.07579
-90	15	-6.53615
-89	15	-8.46404
-88	15	-10.7827
-87	15	-13.9347

-86	15	-18.5333
-85	15	-23.2465
-84	15	-18.9107
-83	15	-14.0855
-82	15	-10.9802
-81	15	-8.67764
-80	15	-6.84116
-79	15	-5.37027
-78	15	-4.14326
-77	15	-3.09221
-76	15	-2.17221
-75	15	-1.40172
-74	15	-0.709637
-73	15	-0.103959
-72	15	0.426123
-71	15	0.898883
-70	15	1.31509
-69	15	1.68557
-68	15	2.01033
-67	15	2.34267
-66	15	2.58347
-65	15	2.79889
-64	15	2.99436
-63	15	3.07363
-62	15	3.18941
-61	15	3.26179
-60	15	3.33702
-59	15	3.39616
-58	15	3.41145
-57	15	3.41973
-56	15	3.36383
-55	15	3.30345
-54	15	3.22073
-53	15	3.12229
-52	15	3.68934
-51	15	2.85211
-50	15	2.69343
-49	15	2.5135
-48	15	2.29407
-47	15	2.06492
-46	15	1.83708
-45	15	1.59624
-44	15	1.34158
-43	15	1.09117
-42	15	0.827501
-41	15	0.537468
-40	15	0.224762
-39	15	-0.107106
-38	15	-0.430232
-37	15	-0.816359
-36	15	-1.18208
-35	15	-1.59345
-34	15	-2.06198
-33	15	-2.55729
-32	15	-2.96837
-31	15	-3.4477
-30	15	-3.81411
-29	15	-4.20899
-28	15	-4.54069
-27	15	-4.89903
-26	15	-5.20084
-25	15	-5.47134
-24	15	-5.69933
-23	15	-5.81344
-22	15	-5.93075
-21	15	-6.01044
-20	15	-6.09088
-19	15	-6.13373
-18	15	-6.09657
-17	15	-6.03025
-16	15	-5.86546
-15	15	-5.76555
-14	15	-5.60069
-13	15	-5.43595
-12	15	-5.2775
-11	15	-5.11748
-10	15	-4.92308
-9	15	-4.80388
-8	15	-4.45441
-7	15	-4.32046
-6	15	-4.19046
-5	15	-4.23585
-4	15	-4.10974
-3	15	-4.01007
-2	15	-3.8667
-1	15	-3.81269
0	15	-3.84401
1	15	-3.83472
2	15	-3.81852
3	15	-3.84651
4	15	-3.85998
5	15	-3.83325
6	15	-3.94931
7	15	-3.91896
8	15	-4.01443

9	15	-4.12379
10	15	-4.33826
11	15	-4.48614
12	15	-4.63466
13	15	-4.82039
14	15	-5.01852
15	15	-5.22233
16	15	-5.44882
17	15	-5.69241
18	15	-5.94813
19	15	-6.23849
20	15	-6.50532
21	15	-6.81347
22	15	-5.54312
23	15	-7.09499
24	15	-7.31541
25	15	-7.58529
26	15	-7.71254
27	15	-7.74613
28	15	-7.73203
29	15	-7.60904
30	15	-7.41844
31	15	-7.17034
32	15	-6.79247
33	15	-6.40194
34	15	-5.97256
35	15	-5.46385
36	15	-4.94945
37	15	-4.41793
38	15	-3.88264
39	15	-3.34141
40	15	-2.84175
41	15	-2.31575
42	15	-1.81023
43	15	-1.32124
44	15	-0.829125
45	15	-0.366982
46	15	0.0746405
47	15	0.492877
48	15	0.887963
49	15	1.26906
50	15	1.62408
51	15	1.97604
52	15	2.29189
53	15	2.58042
54	15	2.8457
55	15	3.07966
56	15	3.32055
57	15	3.51821
58	15	3.72105
59	15	3.90044
60	15	4.04964
61	15	4.17273
62	15	4.27652
63	15	4.34245
64	15	4.39595
65	15	4.43346
66	15	4.44616
67	15	4.43693
68	15	4.39971
69	15	4.35333
70	15	4.2784
71	15	4.1633
72	15	4.02428
73	15	3.8579
74	15	3.66223
75	15	3.43468
76	15	3.17089
77	15	2.85961
78	15	2.51717
79	15	2.12156
80	15	1.69266
81	15	1.22512
82	15	0.669944
83	15	0.0308655
84	15	-0.624365
85	15	-1.46368
86	15	-2.34128
87	15	-3.32621
88	15	-4.5276
89	15	-5.9273
90	15	-7.60203
91	15	-9.86677
92	15	-12.7705
93	15	-17.0813
94	15	-24.3538
95	15	-23.5085
96	15	-16.2343
97	15	-12.1472
98	15	-9.46394
99	15	-7.46556
100	15	-5.87382
101	15	-4.56067
102	15	-3.45485
103	15	-2.50639

104	15	-1.71053
105	15	-0.972834
106	15	-0.297851
107	15	0.280143
108	15	0.777069
109	15	1.20005
110	15	1.56441
111	15	1.9136
112	15	2.2286
113	15	2.45475
114	15	2.72451
115	15	2.91796
116	15	3.08023
117	15	3.18596
118	15	3.26411
119	15	3.36715
120	15	3.41595
121	15	3.45192
122	15	3.45895
123	15	3.44136
124	15	3.34946
125	15	3.28769
126	15	3.19861
127	15	3.08824
128	15	3.67246
129	15	2.79385
130	15	2.6052
131	15	2.40859
132	15	2.17943
133	15	1.92568
134	15	1.68144
135	15	1.43325
136	15	1.18023
137	15	0.912721
138	15	0.628208
139	15	0.313276
140	15	-0.00517377
141	15	-0.350181
142	15	-0.694838
143	15	-1.08442
144	15	-1.45388
145	15	-1.85356
146	15	-2.2927
147	15	-2.73339
148	15	-3.19096
149	15	-3.58783
150	15	-3.97208
151	15	-4.33323
152	15	-4.66219
153	15	-4.96246
154	15	-5.19139
155	15	-5.36869
156	15	-5.50006
157	15	-5.5359
158	15	-5.5406
159	15	-5.51091
160	15	-5.4688
161	15	-5.35496
162	15	-5.18667
163	15	-4.989
164	15	-4.77762
165	15	-4.60883
166	15	-4.46515
167	15	-4.24852
168	15	-4.09779
169	15	-3.94535
170	15	-3.75338
171	15	-3.57352
172	15	-3.22457
173	15	-3.06146
174	15	-2.90357
175	15	-2.91145
176	15	-2.80212
177	15	-2.71026
178	15	-2.57898
179	15	-2.54519
180	15	-2.51224
-180	16	-0.182394
-179	16	-0.148879
-178	16	-0.128887
-177	16	-0.117241
-176	16	-0.119209
-175	16	-0.129225
-174	16	-0.147268
-173	16	-0.10725
-172	16	-0.165763
-171	16	-0.232912
-170	16	-0.29887
-169	16	-0.382917
-168	16	-0.48747
-167	16	-0.608728
-166	16	-0.745412
-165	16	-0.984793
-164	16	-1.02141
-163	16	-1.29982

-162	16	-1.44825
-161	16	-1.68809
-160	16	-1.87751
-159	16	-2.12173
-158	16	-2.35443
-157	16	-2.62322
-156	16	-2.95557
-155	16	-3.30247
-154	16	-3.63161
-153	16	-4.02732
-152	16	-4.43883
-151	16	-4.94657
-150	16	-5.35917
-149	16	-5.79734
-148	16	-6.22457
-147	16	-6.63214
-146	16	-6.9825
-145	16	-7.20831
-144	16	-7.13269
-143	16	-7.29473
-142	16	-7.18893
-141	16	-6.94731
-140	16	-6.56171
-139	16	-6.09481
-138	16	-5.5363
-137	16	-4.91659
-136	16	-4.27604
-135	16	-3.65297
-134	16	-3.00646
-133	16	-2.40757
-132	16	-1.8373
-131	16	-1.25467
-130	16	-0.698772
-129	16	-0.183332
-128	16	0.287595
-127	16	0.731089
-126	16	1.15233
-125	16	1.54749
-124	16	1.90802
-123	16	2.23863
-122	16	2.54381
-121	16	2.80496
-120	16	3.06946
-119	16	3.30899
-118	16	3.51771
-117	16	3.68793
-116	16	3.818
-115	16	3.91747
-114	16	4.00624
-113	16	4.05878
-112	16	4.08804
-111	16	4.0936
-110	16	4.08318
-109	16	4.03773
-108	16	3.94157
-107	16	3.85647
-106	16	3.72384
-105	16	3.55342
-104	16	3.34908
-103	16	3.07869
-102	16	2.81745
-101	16	2.47439
-100	16	2.09468
-99	16	1.66667
-98	16	1.1405
-97	16	0.532667
-96	16	-0.0790893
-95	16	-0.81043
-94	16	-1.64904
-93	16	-2.59578
-92	16	-3.69811
-91	16	-5.00326
-90	16	-6.53988
-89	16	-8.55201
-88	16	-11.0032
-87	16	-14.3616
-86	16	-18.891
-85	16	-20.7214
-84	16	-16.3458
-83	16	-12.3675
-82	16	-9.65114
-81	16	-7.61538
-80	16	-5.94309
-79	16	-4.5258
-78	16	-3.3681
-77	16	-2.4124
-76	16	-1.52296
-75	16	-0.758372
-74	16	-0.116515
-73	16	0.451917
-72	16	0.953424
-71	16	1.38736
-70	16	1.77563
-69	16	2.11473
-68	16	2.40954

-67	16	2.67505
-66	16	2.87016
-65	16	3.04721
-64	16	3.16112
-63	16	3.27921
-62	16	3.37005
-61	16	3.42696
-60	16	3.46076
-59	16	3.44376
-58	16	3.40386
-57	16	3.38057
-56	16	3.27145
-55	16	3.10521
-54	16	2.98537
-53	16	2.81763
-52	16	2.62165
-51	16	2.39804
-50	16	2.14804
-49	16	1.8598
-48	16	1.57502
-47	16	1.2755
-46	16	0.978978
-45	16	0.639823
-44	16	0.308036
-43	16	-0.0243808
-42	16	-0.394952
-41	16	-0.774101
-40	16	-1.17773
-39	16	-1.61264
-38	16	-2.07238
-37	16	-2.63193
-36	16	-3.20128
-35	16	-3.68598
-34	16	-4.22942
-33	16	-4.78173
-32	16	-5.09512
-31	16	-5.49652
-30	16	-5.79504
-29	16	-6.0137
-28	16	-6.1604
-27	16	-6.22858
-26	16	-6.19414
-25	16	-6.07846
-24	16	-5.8646
-23	16	-5.64533
-22	16	-5.35414
-21	16	-5.10419
-20	16	-4.89835
-19	16	-4.21976
-18	16	-4.24719
-17	16	-4.09681
-16	16	-3.77288
-15	16	-3.47584
-14	16	-3.22867
-13	16	-2.97235
-12	16	-2.74064
-11	16	-2.53118
-10	16	-2.33872
-9	16	-2.17966
-8	16	-1.93241
-7	16	-1.80928
-6	16	-1.62199
-5	16	-1.55939
-4	16	-1.45309
-3	16	-1.35984
-2	16	-1.27161
-1	16	-1.22105
0	16	-1.19138
1	16	-1.15015
2	16	-1.13119
3	16	-1.12295
4	16	-1.14228
5	16	-1.16047
6	16	-1.20384
7	16	-1.1996
8	16	-1.20738
9	16	-1.32538
10	16	-1.41644
11	16	-1.53033
12	16	-1.665
13	16	-1.8193
14	16	-1.99698
15	16	-2.33175
16	16	-2.377
17	16	-2.72602
18	16	-2.93598
19	16	-3.21598
20	16	-3.42634
21	16	-3.75316
22	16	-4.02163
23	16	-4.33111
24	16	-4.71774
25	16	-5.13479
26	16	-5.60232
27	16	-5.99638

28	16	-6.52417
29	16	-6.9942
30	16	-7.37838
31	16	-7.73745
32	16	-8.02587
33	16	-8.2375
34	16	-8.28357
35	16	-8.1527
36	16	-7.90366
37	16	-7.51928
38	16	-7.03448
39	16	-6.46198
40	16	-5.8917
41	16	-5.24855
42	16	-4.59884
43	16	-3.95042
44	16	-3.3073
45	16	-2.67044
46	16	-2.06509
47	16	-1.4677
48	16	-0.90772
49	16	-0.365644
50	16	0.140789
51	16	0.61922
52	16	1.06141
53	16	1.46229
54	16	1.82978
55	16	2.17961
56	16	2.49644
57	16	2.79385
58	16	3.05613
59	16	3.30074
60	16	3.53631
61	16	3.74684
62	16	3.92545
63	16	4.07521
64	16	4.18177
65	16	4.24727
66	16	4.30594
67	16	4.32934
68	16	4.33279
69	16	4.3208
70	16	4.28604
71	16	4.22122
72	16	4.13683
73	16	4.01165
74	16	3.84518
75	16	3.64761
76	16	3.41525
77	16	3.11223
78	16	2.81117
79	16	2.44127
80	16	2.00447
81	16	1.54647
82	16	1.00645
83	16	0.348893
84	16	-0.336714
85	16	-1.10602
86	16	-2.02685
87	16	-3.07668
88	16	-4.30305
89	16	-5.76982
90	16	-7.52216
91	16	-9.84349
92	16	-12.8158
93	16	-17.2908
94	16	-23.5816
95	16	-20.3142
96	16	-14.6931
97	16	-11.06
98	16	-8.53912
99	16	-6.66353
100	16	-5.15433
101	16	-3.8773
102	16	-2.82302
103	16	-1.89973
104	16	-1.10519
105	16	-0.405746
106	16	0.213577
107	16	0.746163
108	16	1.21722
109	16	1.61831
110	16	1.94765
111	16	2.28716
112	16	2.58594
113	16	2.84594
114	16	3.00345
115	16	3.15766
116	16	3.27497
117	16	3.34624
118	16	3.41226
119	16	3.4479
120	16	3.46588
121	16	3.45915
122	16	3.3811

123	16	3.3087
124	16	3.21265
125	16	3.08319
126	16	2.92662
127	16	2.75326
128	16	2.54119
129	16	2.30692
130	16	2.04581
131	16	1.75348
132	16	1.43642
133	16	1.12454
134	16	0.804781
135	16	0.472111
136	16	0.131347
137	16	-0.227995
138	16	-0.608115
139	16	-1.00276
140	16	-1.41518
141	16	-1.8516
142	16	-2.30183
143	16	-2.75813
144	16	-3.31121
145	16	-3.74016
146	16	-4.26768
147	16	-4.72821
148	16	-4.95367
149	16	-5.2651
150	16	-5.46691
151	16	-5.60618
152	16	-5.65694
153	16	-5.60921
154	16	-5.4888
155	16	-5.299
156	16	-5.02962
157	16	-4.71709
158	16	-4.30533
159	16	-3.99414
160	16	-3.6249
161	16	-3.23733
162	16	-3.12015
163	16	-2.9092
164	16	-2.62274
165	16	-2.349
166	16	-2.08815
167	16	-1.84957
168	16	-1.6478
169	16	-1.45129
170	16	-1.35568
171	16	-1.20414
172	16	-0.982844
173	16	-0.850792
174	16	-0.689017
175	16	-0.602916
176	16	-0.475245
177	16	-0.375836
178	16	-0.289529
179	16	-0.232425
180	16	-0.182394
-180	17	1.35491
-179	17	1.42782
-178	17	1.47006
-177	17	1.49633
-176	17	1.51202
-175	17	1.51803
-174	17	1.51223
-173	17	1.50612
-172	17	1.4727
-171	17	1.47453
-170	17	1.45852
-169	17	0.392589
-168	17	1.31919
-167	17	1.24303
-166	17	1.15863
-165	17	1.06506
-164	17	0.939645
-163	17	0.821066
-162	17	0.680917
-161	17	0.519347
-160	17	0.330501
-159	17	0.111156
-158	17	-0.0863631
-157	17	-0.304591
-156	17	-0.583119
-155	17	-0.862744
-154	17	-1.45164
-153	17	-1.46672
-152	17	-1.86981
-151	17	-2.21809
-150	17	-2.60678
-149	17	-3.04475
-148	17	-3.52086
-147	17	-4.03055
-146	17	-4.56944
-145	17	-5.14443
-144	17	-5.72153

-143	17	-6.23605
-142	17	-6.75379
-141	17	-7.18101
-140	17	-7.32683
-139	17	-7.44753
-138	17	-7.37404
-137	17	-7.12527
-136	17	-6.70146
-135	17	-6.1611
-134	17	-5.56136
-133	17	-4.84303
-132	17	-4.12018
-131	17	-3.39347
-130	17	-2.71102
-129	17	-2.023
-128	17	-1.37687
-127	17	-0.779763
-126	17	-0.21813
-125	17	0.302527
-124	17	0.776599
-123	17	1.21994
-122	17	1.62204
-121	17	1.99023
-120	17	2.31968
-119	17	2.61018
-118	17	2.90329
-117	17	3.17917
-116	17	3.4226
-115	17	3.61033
-114	17	3.75207
-113	17	3.84877
-112	17	3.91851
-111	17	3.964
-110	17	3.98017
-109	17	3.95594
-108	17	3.91604
-107	17	3.84803
-106	17	3.72797
-105	17	3.56167
-104	17	3.37474
-103	17	3.12638
-102	17	2.84378
-101	17	2.51341
-100	17	2.13465
-99	17	1.69392
-98	17	1.2219
-97	17	0.638397
-96	17	-0.00571486
-95	17	-0.737555
-94	17	-1.5819
-93	17	-2.54176
-92	17	-3.66249
-91	17	-4.97412
-90	17	-6.61056
-89	17	-8.61422
-88	17	-11.1547
-87	17	-14.6392
-86	17	-18.8156
-85	17	-18.8165
-84	17	-14.704
-83	17	-11.231
-82	17	-8.64767
-81	17	-6.63681
-80	17	-5.0915
-79	17	-3.76493
-78	17	-2.6213
-77	17	-1.70139
-76	17	-0.89675
-75	17	-0.189087
-74	17	0.436631
-73	17	0.981148
-72	17	1.44974
-71	17	1.86507
-70	17	2.20832
-69	17	2.49196
-68	17	2.74246
-67	17	2.97639
-66	17	3.11569
-65	17	3.30566
-64	17	3.36226
-63	17	3.42157
-62	17	3.46542
-61	17	3.46746
-60	17	3.42125
-59	17	3.36919
-58	17	3.28496
-57	17	3.17715
-56	17	3.05238
-55	17	2.87394
-54	17	2.64407
-53	17	2.36658
-52	17	2.04469
-51	17	1.72584
-50	17	1.38624
-49	17	0.987759

-48	17	0.660576
-47	17	0.266563
-46	17	-0.143597
-45	17	-0.613625
-44	17	-0.971694
-43	17	-1.43954
-42	17	-1.93616
-41	17	-2.43144
-40	17	-2.96406
-39	17	-3.64792
-38	17	-4.20874
-37	17	-4.76083
-36	17	-5.30548
-35	17	-5.74588
-34	17	-6.10414
-33	17	-6.34647
-32	17	-6.03969
-31	17	-6.47366
-30	17	-6.2037
-29	17	-5.58046
-28	17	-5.62834
-27	17	-5.17723
-26	17	-4.88633
-25	17	-4.65923
-24	17	-4.25734
-23	17	-3.88853
-22	17	-3.54138
-21	17	-3.15646
-20	17	-2.78468
-19	17	-2.43228
-18	17	-2.11057
-17	17	-1.8261
-16	17	-1.56672
-15	17	-1.34412
-14	17	-1.10668
-13	17	-0.900375
-12	17	-0.701327
-11	17	-0.506738
-10	17	-0.353811
-9	17	-0.00593546
-8	17	0.255861
-7	17	0.401343
-6	17	0.493189
-5	17	0.597755
-4	17	0.701619
-3	17	0.786112
-2	17	0.845464
-1	17	0.892807
0	17	0.92621
1	17	0.983698
2	17	1.01871
3	17	1.03798
4	17	0.702897
5	17	0.705648
6	17	0.695395
7	17	0.677216
8	17	0.631279
9	17	0.591456
10	17	0.600312
11	17	-0.634707
12	17	0.40719
13	17	0.316635
14	17	0.220412
15	17	0.0924559
16	17	-0.0503374
17	17	-0.200947
18	17	-0.399717
19	17	-0.598251
20	17	-0.836077
21	17	-1.10925
22	17	-1.35112
23	17	-1.63538
24	17	-1.97875
25	17	-2.31926
26	17	-3.06989
27	17	-3.14442
28	17	-3.56012
29	17	-3.95673
30	17	-4.38373
31	17	-4.89596
32	17	-5.42911
33	17	-5.98554
34	17	-6.61522
35	17	-7.22123
36	17	-7.75132
37	17	-8.18887
38	17	-8.57669
39	17	-8.71927
40	17	-8.58181
41	17	-8.25098
42	17	-7.7376
43	17	-7.08434
44	17	-6.36181
45	17	-5.60326
46	17	-4.81475

47	17	-4.02747
48	17	-3.26096
49	17	-2.534
50	17	-1.84079
51	17	-1.17762
52	17	-0.560826
53	17	0.000603619
54	17	0.515201
55	17	0.997734
56	17	1.43953
57	17	1.84314
58	17	2.21587
59	17	2.54833
60	17	2.84512
61	17	3.1134
62	17	3.37652
63	17	3.6158
64	17	3.81475
65	17	3.96446
66	17	4.08609
67	17	4.16219
68	17	4.21635
69	17	4.2482
70	17	4.24629
71	17	4.20316
72	17	4.14817
73	17	4.04248
74	17	3.90414
75	17	3.73207
76	17	3.52141
77	17	3.23371
78	17	2.9207
79	17	2.57945
80	17	2.1881
81	17	1.70927
82	17	1.18564
83	17	0.573712
84	17	-0.118182
85	17	-0.901331
86	17	-1.8099
87	17	-2.85715
88	17	-4.08985
89	17	-5.55695
90	17	-7.38799
91	17	-9.72277
92	17	-12.9016
93	17	-17.5601
94	17	-23.0333
95	17	-18.6479
96	17	-13.5296
97	17	-10.2257
98	17	-7.77124
99	17	-5.98197
100	17	-4.52852
101	17	-3.31591
102	17	-2.27414
103	17	-1.37292
104	17	-0.583273
105	17	0.0885585
106	17	0.687138
107	17	1.18532
108	17	1.6538
109	17	2.01787
110	17	2.35405
111	17	2.61246
112	17	2.83759
113	17	3.07774
114	17	3.18161
115	17	3.31577
116	17	3.40877
117	17	3.47593
118	17	3.48846
119	17	3.46569
120	17	3.40167
121	17	3.33473
122	17	3.25318
123	17	3.13214
124	17	2.97751
125	17	2.78698
126	17	2.55386
127	17	2.27915
128	17	1.96704
129	17	1.64104
130	17	1.28763
131	17	0.906786
132	17	0.53169
133	17	0.148333
134	17	-0.276622
135	17	-0.754445
136	17	-1.12073
137	17	-1.60013
138	17	-2.08337
139	17	-2.5847
140	17	-3.09875
141	17	-3.63966

142	17	-4.14251
143	17	-4.59065
144	17	-5.04238
145	17	-5.3731
146	17	-5.62225
147	17	-5.7568
148	17	-5.32788
149	17	-5.71143
150	17	-5.47061
151	17	-4.66348
152	17	-4.83914
153	17	-4.33123
154	17	-3.93174
155	17	-3.57052
156	17	-3.16523
157	17	-2.78243
158	17	-2.42984
159	17	-2.22989
160	17	-1.87212
161	17	-1.5587
162	17	-1.27022
163	17	-0.985505
164	17	-0.741278
165	17	-0.5193
166	17	-0.321248
167	17	-0.132773
168	17	0.0427302
169	17	0.207263
170	17	0.359363
171	17	0.505031
172	17	0.65606
173	17	0.785788
174	17	0.91359
175	17	1.03512
176	17	1.13235
177	17	1.19899
178	17	1.25831
179	17	1.31819
180	17	1.35491
-180	18	2.28365
-179	18	2.31425
-178	18	2.34793
-177	18	2.3811
-176	18	2.41144
-175	18	2.44371
-174	18	2.44884
-173	18	2.43767
-172	18	2.44369
-171	18	2.43182
-170	18	2.44131
-169	18	2.43765
-168	18	2.46814
-167	18	2.3372
-166	18	2.28134
-165	18	2.22126
-164	18	2.14986
-163	18	2.06733
-162	18	1.97218
-161	18	1.86393
-160	18	1.73749
-159	18	1.57693
-158	18	1.43671
-157	18	1.16582
-156	18	1.12434
-155	18	0.921942
-154	18	0.708799
-153	18	0.456879
-152	18	0.159884
-151	18	-0.15842
-150	18	-0.471357
-149	18	-0.827617
-148	18	-1.30104
-147	18	-1.68792
-146	18	-2.05784
-145	18	-2.50034
-144	18	-3.01816
-143	18	-3.5938
-142	18	-4.21687
-141	18	-4.79279
-140	18	-5.46
-139	18	-6.12841
-138	18	-6.59988
-137	18	-7.12099
-136	18	-7.4631
-135	18	-7.5679
-134	18	-7.44186
-133	18	-7.02294
-132	18	-6.41731
-131	18	-5.72222
-130	18	-4.93934
-129	18	-4.14887
-128	18	-3.38634
-127	18	-2.61366
-126	18	-1.87907
-125	18	-1.20211

-124	18	-0.557727
-123	18	0.0226315
-122	18	0.56395
-121	18	1.04573
-120	18	1.50282
-119	18	1.90104
-118	18	2.27037
-117	18	2.59172
-116	18	2.9082
-115	18	3.16739
-114	18	3.43154
-113	18	3.58627
-112	18	3.67482
-111	18	3.73014
-110	18	3.76488
-109	18	3.78324
-108	18	3.76696
-107	18	3.72635
-106	18	3.65189
-105	18	3.5398
-104	18	3.36069
-103	18	3.15814
-102	18	2.89592
-101	18	2.58066
-100	18	2.23145
-99	18	1.80396
-98	18	1.31974
-97	18	0.740496
-96	18	0.105864
-95	18	-0.656887
-94	18	-1.51985
-93	18	-2.51
-92	18	-3.65044
-91	18	-5.02487
-90	18	-6.75616
-89	18	-8.83445
-88	18	-11.5187
-87	18	-14.9979
-86	18	-18.0379
-85	18	-16.4584
-84	18	-12.8809
-83	18	-9.88813
-82	18	-7.54393
-81	18	-5.73017
-80	18	-4.26344
-79	18	-3.07882
-78	18	-2.01245
-77	18	-1.09173
-76	18	-0.32843
-75	18	0.347045
-74	18	0.935541
-73	18	1.43149
-72	18	1.87201
-71	18	2.25551
-70	18	2.55831
-69	18	2.81383
-68	18	3.01234
-67	18	3.19557
-66	18	3.32905
-65	18	3.4217
-64	18	3.47773
-63	18	3.50033
-62	18	3.45886
-61	18	3.41672
-60	18	3.33053
-59	18	3.21991
-58	18	3.07891
-57	18	2.90627
-56	18	2.70998
-55	18	2.43766
-54	18	2.12691
-53	18	1.77151
-52	18	1.38035
-51	18	0.954005
-50	18	0.498948
-49	18	-0.0091182
-48	18	-0.508105
-47	18	-1.01348
-46	18	-1.56224
-45	18	-2.09896
-44	18	-2.65815
-43	18	-3.23584
-42	18	-3.81973
-41	18	-4.5372
-40	18	-5.17455
-39	18	-5.75255
-38	18	-6.26336
-37	18	-6.60371
-36	18	-6.58486
-35	18	-6.53784
-34	18	-6.35763
-33	18	-5.94673
-32	18	-5.73195
-31	18	-5.47559
-30	18	-4.99729

-29	18	-4.0389
-28	18	-4.10522
-27	18	-3.69432
-26	18	-3.28533
-25	18	-2.87017
-24	18	-2.46546
-23	18	-1.72806
-22	18	-1.38378
-21	18	-1.03527
-20	18	-0.688822
-19	18	-0.412689
-18	18	-0.158444
-17	18	0.0795785
-16	18	0.2784
-15	18	0.464021
-14	18	0.632089
-13	18	0.793409
-12	18	0.952598
-11	18	1.09751
-10	18	1.23457
-9	18	1.35561
-8	18	1.4516
-7	18	1.53669
-6	18	1.62949
-5	18	1.73062
-4	18	1.79745
-3	18	1.86329
-2	18	1.92741
-1	18	1.98605
0	18	1.99916
1	18	2.0919
2	18	2.11559
3	18	2.14933
4	18	2.17559
5	18	2.18772
6	18	2.19788
7	18	2.16193
8	18	2.15977
9	18	2.14151
10	18	2.14986
11	18	2.12375
12	18	2.19147
13	18	2.03042
14	18	1.98565
15	18	1.90817
16	18	1.83014
17	18	1.72582
18	18	1.1455
19	18	1.00294
20	18	0.834193
21	18	0.630446
22	18	0.450545
23	18	0.118326
24	18	0.0446753
25	18	-0.205248
26	18	-0.458057
27	18	-0.748847
28	18	-1.07938
29	18	-1.41487
30	18	-1.75651
31	18	-2.14362
32	18	-2.68701
33	18	-3.16068
34	18	-3.55129
35	18	-4.10439
36	18	-4.7303
37	18	-5.41687
38	18	-6.17848
39	18	-6.8513
40	18	-7.58431
41	18	-8.23336
42	18	-8.66001
43	18	-8.90424
44	18	-8.81374
45	18	-8.43744
46	18	-7.8123
47	18	-7.00059
48	18	-6.09804
49	18	-5.17884
50	18	-4.27473
51	18	-3.4098
52	18	-2.60115
53	18	-1.8606
54	18	-1.16331
55	18	-0.510623
56	18	0.0931972
57	18	0.647874
58	18	1.15144
59	18	1.61657
60	18	2.03581
61	18	2.41257
62	18	2.74862
63	18	3.0205
64	18	3.31569
65	18	3.55207

66	18	3.79365
67	18	3.9327
68	18	4.01399
69	18	4.05269
70	18	4.0759
71	18	4.06863
72	18	4.03059
73	18	3.97632
74	18	3.87303
75	18	3.72977
76	18	3.53184
77	18	3.30142
78	18	3.04538
79	18	2.70063
80	18	2.31343
81	18	1.83348
82	18	1.3481
83	18	0.754557
84	18	0.0642562
85	18	-0.72707
86	18	-1.6392
87	18	-2.68529
88	18	-3.90094
89	18	-5.38922
90	18	-7.29589
91	18	-9.68148
92	18	-12.9286
93	18	-17.5972
94	18	-21.1177
95	18	-16.5453
96	18	-12.1734
97	18	-9.21767
98	18	-6.88629
99	18	-5.20633
100	18	-3.81332
101	18	-2.63644
102	18	-1.66657
103	18	-0.818411
104	18	-0.0912944
105	18	0.532525
106	18	1.08677
107	18	1.56977
108	18	1.98057
109	18	2.32236
110	18	2.64269
111	18	2.86845
112	18	3.03643
113	18	3.22638
114	18	3.3525
115	18	3.4254
116	18	3.47093
117	18	3.48219
118	18	3.42738
119	18	3.36168
120	18	3.2781
121	18	3.17095
122	18	3.00221
123	18	2.8221
124	18	2.60989
125	18	2.35047
126	18	2.0303
127	18	1.66935
128	18	1.27592
129	18	0.850209
130	18	0.370251
131	18	-0.107284
132	18	-0.611733
133	18	-1.1203
134	18	-1.6386
135	18	-2.15752
136	18	-2.68182
137	18	-3.24843
138	18	-3.84714
139	18	-4.40881
140	18	-4.93152
141	18	-5.38706
142	18	-5.75826
143	18	-5.95849
144	18	-5.83958
145	18	-5.71419
146	18	-5.47316
147	18	-5.05382
148	18	-4.8338
149	18	-4.60218
150	18	-4.19802
151	18	-3.32327
152	18	-3.21862
153	18	-2.82101
154	18	-2.44309
155	18	-2.05074
156	18	-1.67888
157	18	-1.28122
158	18	-0.969699
159	18	-0.641227
160	18	-0.299604

161	18	-0.0265255
162	18	0.204912
163	18	0.408716
164	18	0.59712
165	18	0.77434
166	18	0.937133
167	18	1.09362
168	18	1.24243
169	18	1.38406
170	18	1.50539
171	18	1.62474
172	18	1.69583
173	18	1.80744
174	18	1.91946
175	18	2.04017
176	18	2.10467
177	18	2.15199
178	18	2.1982
179	18	2.24782
180	18	2.28365
-180	19	2.69085
-179	19	2.72111
-178	19	2.75471
-177	19	2.78404
-176	19	2.81545
-175	19	2.84618
-174	19	2.86739
-173	19	2.84447
-172	19	2.86079
-171	19	3.3589
-170	19	2.92806
-169	19	2.92976
-168	19	2.90913
-167	19	2.92362
-166	19	2.86553
-165	19	2.83266
-164	19	2.79313
-163	19	2.74654
-162	19	2.68934
-161	19	2.62508
-160	19	2.5141
-159	19	2.4427
-158	19	2.35435
-157	19	2.26458
-156	19	2.1513
-155	19	2.00292
-154	19	1.88441
-153	19	1.7161
-152	19	1.50256
-151	19	1.31018
-150	19	1.12118
-149	19	0.888897
-148	19	0.609138
-147	19	0.299951
-146	19	-0.0805772
-145	19	-0.501541
-144	19	-1.0478
-143	19	-1.53544
-142	19	-2.05264
-141	19	-2.52597
-140	19	-3.06564
-139	19	-3.74301
-138	19	-4.47479
-137	19	-5.17254
-136	19	-5.85662
-135	19	-6.52375
-134	19	-7.12415
-133	19	-7.48387
-132	19	-7.61201
-131	19	-7.49756
-130	19	-7.06585
-129	19	-6.37691
-128	19	-5.55972
-127	19	-4.69701
-126	19	-3.85565
-125	19	-2.99639
-124	19	-2.19644
-123	19	-1.48878
-122	19	-0.80284
-121	19	-0.164229
-120	19	0.410089
-119	19	0.969523
-118	19	1.43881
-117	19	1.84843
-116	19	2.19411
-115	19	2.50527
-114	19	2.81182
-113	19	3.0799
-112	19	3.28266
-111	19	3.41719
-110	19	3.49961
-109	19	3.56092
-108	19	3.58579
-107	19	3.57072
-106	19	3.52665

-105	19	3.43427
-104	19	3.30747
-103	19	3.10435
-102	19	2.88123
-101	19	2.59287
-100	19	2.25518
-99	19	1.84642
-98	19	1.36725
-97	19	0.795091
-96	19	0.15177
-95	19	-0.600673
-94	19	-1.47578
-93	19	-2.49044
-92	19	-3.70059
-91	19	-5.14466
-90	19	-6.96864
-89	19	-9.21134
-88	19	-12.1422
-87	19	-15.6474
-86	19	-17.4627
-85	19	-14.7954
-84	19	-11.426
-83	19	-8.69281
-82	19	-6.51302
-81	19	-4.87052
-80	19	-3.49224
-79	19	-2.33574
-78	19	-1.36056
-77	19	-0.495357
-76	19	0.2315
-75	19	0.907035
-74	19	1.40458
-73	19	1.85555
-72	19	2.24356
-71	19	2.57225
-70	19	2.84673
-69	19	3.04081
-68	19	3.21325
-67	19	3.35474
-66	19	3.44076
-65	19	3.48658
-64	19	3.49185
-63	19	3.45637
-62	19	3.39633
-61	19	3.30134
-60	19	3.16187
-59	19	2.98933
-58	19	2.76902
-57	19	2.50271
-56	19	2.1987
-55	19	1.81485
-54	19	1.40886
-53	19	0.970324
-52	19	0.493291
-51	19	-0.0462012
-50	19	-0.58811
-49	19	-1.22387
-48	19	-1.892
-47	19	-2.59649
-46	19	-3.34081
-45	19	-4.03804
-44	19	-4.7373
-43	19	-5.4215
-42	19	-6.05652
-41	19	-6.61711
-40	19	-6.84447
-39	19	-6.38127
-38	19	-6.78365
-37	19	-6.60825
-36	19	-6.40419
-35	19	-5.91751
-34	19	-5.36183
-33	19	-4.80823
-32	19	-4.25446
-31	19	-3.75008
-30	19	-2.96811
-29	19	-2.52496
-28	19	-2.09487
-27	19	-1.68668
-26	19	-1.30169
-25	19	-0.931181
-24	19	-0.55974
-23	19	-0.263179
-22	19	0.0303408
-21	19	0.293155
-20	19	0.581492
-19	19	0.76287
-18	19	0.950047
-17	19	1.11552
-16	19	1.27047
-15	19	1.41548
-14	19	1.54967
-13	19	1.66998
-12	19	1.78763
-11	19	1.90206

-10	19	2.01232
-9	19	2.10663
-8	19	2.10838
-7	19	2.16192
-6	19	2.23796
-5	19	2.34947
-4	19	2.39954
-3	19	2.46418
-2	19	2.49478
-1	19	2.56392
0	19	2.59418
1	19	2.6329
2	19	2.66729
3	19	2.69479
4	19	2.72303
5	19	2.75
6	19	2.76942
7	19	2.74501
8	19	2.74021
9	19	3.23637
10	19	2.802
11	19	2.78321
12	19	2.75079
13	19	2.75576
14	19	2.74687
15	19	2.68293
16	19	2.62651
17	19	2.566
18	19	2.49993
19	19	2.42285
20	19	2.32757
21	19	2.21081
22	19	2.096
23	19	1.9862
24	19	1.85204
25	19	1.69787
26	19	0.862092
27	19	0.642842
28	19	0.441045
29	19	0.37379
30	19	0.278956
31	19	0.0715199
32	19	-0.212141
33	19	-0.55508
34	19	-0.977554
35	19	-1.4384
36	19	-2.09043
37	19	-2.65829
38	19	-3.31162
39	19	-3.89494
40	19	-4.51571
41	19	-5.30354
42	19	-6.16336
43	19	-7.03519
44	19	-7.79646
45	19	-8.47063
46	19	-8.91793
47	19	-8.99185
48	19	-8.65717
49	19	-7.97902
50	19	-7.0853
51	19	-6.08269
52	19	-5.05557
53	19	-4.06164
54	19	-3.12566
55	19	-2.27505
56	19	-1.50171
57	19	-0.791078
58	19	-0.128614
59	19	0.48231
60	19	1.0276
61	19	1.54614
62	19	1.98675
63	19	2.37208
64	19	2.69578
65	19	2.97265
66	19	3.26022
67	19	3.50336
68	19	3.68239
69	19	3.79952
70	19	3.85728
71	19	3.88719
72	19	3.89001
73	19	3.86171
74	19	3.79231
75	19	3.67966
76	19	3.51706
77	19	3.32478
78	19	3.06582
79	19	2.77596
80	19	2.40878
81	19	1.98138
82	19	1.47041
83	19	0.874664
84	19	0.202433

85	19	-0.59127
86	19	-1.50244
87	19	-2.55648
88	19	-3.81685
89	19	-5.33201
90	19	-7.24556
91	19	-9.67968
92	19	-12.9818
93	19	-17.2434
94	19	-19.1461
95	19	-15.0939
96	19	-11.2306
97	19	-8.41543
98	19	-6.21502
99	19	-4.5395
100	19	-3.17973
101	19	-2.02882
102	19	-1.09048
103	19	-0.273784
104	19	0.414313
105	19	1.00557
106	19	1.50475
107	19	1.96936
108	19	2.31971
109	19	2.62777
110	19	2.87543
111	19	3.05212
112	19	3.19116
113	19	3.3224
114	19	3.40566
115	19	3.4339
116	19	3.44273
117	19	3.39371
118	19	3.32085
119	19	3.21484
120	19	3.08426
121	19	2.89348
122	19	2.66043
123	19	2.3929
124	19	2.09637
125	19	1.73175
126	19	1.30336
127	19	0.858953
128	19	0.368905
129	19	-0.197029
130	19	-0.752414
131	19	-1.33997
132	19	-1.98591
133	19	-2.65665
134	19	-3.34668
135	19	-3.99416
136	19	-4.59241
137	19	-5.19728
138	19	-5.73069
139	19	-6.16276
140	19	-6.26141
141	19	-5.92125
142	19	-5.92362
143	19	-5.735
144	19	-5.55833
145	19	-5.10338
146	19	-4.60761
147	19	-3.96973
148	19	-3.49207
149	19	-3.0217
150	19	-2.57423
151	19	-2.15343
152	19	-1.75711
153	19	-1.36978
154	19	-0.990093
155	19	-0.649964
156	19	-0.332033
157	19	-0.0205401
158	19	0.276451
159	19	0.542256
160	19	0.823275
161	19	0.9993
162	19	1.18138
163	19	1.33974
164	19	1.48281
165	19	1.61306
166	19	1.73553
167	19	1.8513
168	19	1.95729
169	19	2.05641
170	19	2.15205
171	19	2.23737
172	19	2.24962
173	19	2.30783
174	19	2.36464
175	19	2.46548
176	19	2.52314
177	19	2.56344
178	19	2.61531
179	19	2.65441

180	19	2.69085
-180	20	2.66054
-179	20	2.68692
-178	20	2.72392
-177	20	2.7702
-176	20	2.80915
-175	20	2.83907
-174	20	2.85853
-173	20	2.827
-172	20	2.83765
-171	20	2.86481
-170	20	2.94416
-169	20	2.96216
-168	20	2.97624
-167	20	2.98548
-166	20	3.01166
-165	20	3.0184
-164	20	2.98367
-163	20	2.96921
-162	20	2.94388
-161	20	2.91059
-160	20	2.87858
-159	20	2.82122
-158	20	2.75033
-157	20	2.71045
-156	20	2.66156
-155	20	2.59525
-154	20	2.52239
-153	20	2.4219
-152	20	2.27728
-151	20	2.15614
-150	20	2.03128
-149	20	1.86477
-148	20	1.67247
-147	20	1.44249
-146	20	1.17342
-145	20	0.897383
-144	20	0.580192
-143	20	0.220083
-142	20	-0.201816
-141	20	-0.673856
-140	20	-1.29475
-139	20	-1.84524
-138	20	-2.45561
-137	20	-3.03469
-136	20	-3.69311
-135	20	-4.41477
-134	20	-5.16589
-133	20	-5.93961
-132	20	-6.63182
-131	20	-7.207
-130	20	-7.58841
-129	20	-7.51252
-128	20	-7.21278
-127	20	-6.54883
-126	20	-5.80917
-125	20	-4.94519
-124	20	-4.10188
-123	20	-3.1439
-122	20	-2.31728
-121	20	-1.55541
-120	20	-0.856974
-119	20	-0.221305
-118	20	0.351699
-117	20	0.869791
-116	20	1.33669
-115	20	1.75357
-114	20	2.13828
-113	20	2.48545
-112	20	2.77581
-111	20	3.03781
-110	20	3.19261
-109	20	3.27463
-108	20	3.3347
-107	20	3.37645
-106	20	3.35047
-105	20	3.30897
-104	20	3.21217
-103	20	3.06016
-102	20	2.84028
-101	20	2.56731
-100	20	2.2403
-99	20	1.85427
-98	20	1.38276
-97	20	0.820705
-96	20	0.174468
-95	20	-0.583302
-94	20	-1.46403
-93	20	-2.50334
-92	20	-3.75086
-91	20	-5.22287
-90	20	-7.15762
-89	20	-9.53552
-88	20	-12.6083
-87	20	-16.082

-86	20	-16.6194
-85	20	-13.3789
-84	20	-10.2152
-83	20	-7.68267
-82	20	-5.63851
-81	20	-4.07609
-80	20	-2.79333
-79	20	-1.71819
-78	20	-0.807957
-77	20	-0.0202134
-76	20	0.68392
-75	20	1.26182
-74	20	1.76559
-73	20	2.19358
-72	20	2.56601
-71	20	2.8438
-70	20	3.08639
-69	20	3.26342
-68	20	3.40136
-67	20	3.49298
-66	20	3.53028
-65	20	3.49929
-64	20	3.44077
-63	20	3.34633
-62	20	3.21817
-61	20	3.04948
-60	20	2.85742
-59	20	2.60903
-58	20	2.3123
-57	20	1.96302
-56	20	1.53636
-55	20	1.05361
-54	20	0.517236
-53	20	-0.0797434
-52	20	-0.720524
-51	20	-1.41339
-50	20	-2.10961
-49	20	-2.88557
-48	20	-3.72137
-47	20	-4.58021
-46	20	-5.44296
-45	20	-6.27734
-44	20	-6.82003
-43	20	-7.296
-42	20	-7.29713
-41	20	-7.35358
-40	20	-7.34513
-39	20	-6.85714
-38	20	-6.29872
-37	20	-5.69329
-36	20	-4.62485
-35	20	-3.81641
-34	20	-3.29759
-33	20	-2.7446
-32	20	-2.23977
-31	20	-1.78032
-30	20	-1.37414
-29	20	-1.00687
-28	20	-0.645588
-27	20	-0.283407
-26	20	0.0221949
-25	20	0.341847
-24	20	0.620989
-23	20	0.836314
-22	20	1.06528
-21	20	1.25593
-20	20	1.44109
-19	20	1.58173
-18	20	1.70202
-17	20	1.82529
-16	20	1.91265
-15	20	2.00174
-14	20	2.08104
-13	20	2.16077
-12	20	2.24003
-11	20	2.31144
-10	20	2.36866
-9	20	2.42076
-8	20	2.37241
-7	20	2.41547
-6	20	2.44919
-5	20	2.5687
-4	20	2.59935
-3	20	2.62107
-2	20	2.65767
-1	20	2.68373
0	20	2.70443
1	20	2.73865
2	20	2.77466
3	20	2.79924
4	20	2.83304
5	20	2.86407
6	20	2.88604
7	20	2.85793
8	20	2.87641

9	20	2.88602
10	20	2.94495
11	20	2.96485
12	20	2.97187
13	20	2.979
14	20	2.97815
15	20	2.99474
16	20	2.94142
17	20	2.91561
18	20	2.83713
19	20	2.84884
20	20	2.79834
21	20	2.71
22	20	2.62804
23	20	2.57533
24	20	2.50089
25	20	2.41112
26	20	2.30295
27	20	2.16757
28	20	1.99947
29	20	1.86403
30	20	1.71072
31	20	1.44867
32	20	1.2198
33	20	0.957908
34	20	0.639469
35	20	0.303694
36	20	-0.0524136
37	20	-0.477113
38	20	-0.954536
39	20	-1.51473
40	20	-2.19138
41	20	-2.83211
42	20	-3.55466
43	20	-4.23226
44	20	-5.00281
45	20	-5.9568
46	20	-6.8996
47	20	-7.83136
48	20	-8.61418
49	20	-9.06736
50	20	-9.06985
51	20	-8.58817
52	20	-7.73116
53	20	-6.67591
54	20	-5.55694
55	20	-4.4715
56	20	-3.53099
57	20	-2.49384
58	20	-1.63294
59	20	-0.874552
60	20	-0.201062
61	20	0.405435
62	20	0.963113
63	20	1.46084
64	20	1.90253
65	20	2.29252
66	20	2.64228
67	20	2.95837
68	20	3.2188
69	20	3.45447
70	20	3.60899
71	20	3.68149
72	20	3.70613
73	20	3.70436
74	20	3.67557
75	20	3.60944
76	20	3.48984
77	20	3.31456
78	20	3.08188
79	20	2.81131
80	20	2.45749
81	20	2.04906
82	20	1.54172
83	20	0.963668
84	20	0.286971
85	20	-0.50036
86	20	-1.42669
87	20	-2.51425
88	20	-3.80989
89	20	-5.40553
90	20	-7.39156
91	20	-9.85324
92	20	-13.1525
93	20	-17.1998
94	20	-17.2448
95	20	-13.3834
96	20	-10.1467
97	20	-7.61194
98	20	-5.54379
99	20	-3.94111
100	20	-2.65721
101	20	-1.56719
102	20	-0.635404
103	20	0.151131

104	20	0.812358
105	20	1.37948
106	20	1.87695
107	20	2.27753
108	20	2.62103
109	20	2.8785
110	20	3.09212
111	20	3.25215
112	20	3.35277
113	20	3.43092
114	20	3.45524
115	20	3.4177
116	20	3.35119
117	20	3.25543
118	20	3.12236
119	20	2.95271
120	20	2.73762
121	20	2.48045
122	20	2.17628
123	20	1.80649
124	20	1.37692
125	20	0.884711
126	20	0.372367
127	20	-0.165244
128	20	-0.813523
129	20	-1.57984
130	20	-2.27685
131	20	-3.01692
132	20	-3.77086
133	20	-4.55187
134	20	-5.34906
135	20	-6.02137
136	20	-6.43324
137	20	-6.78471
138	20	-6.65897
139	20	-6.62956
140	20	-6.5874
141	20	-6.18431
142	20	-5.63501
143	20	-4.91884
144	20	-4.25841
145	20	-3.64076
146	20	-3.03247
147	20	-2.49349
148	20	-1.97727
149	20	-1.55405
150	20	-1.16335
151	20	-0.80663
152	20	-0.463389
153	20	-0.13811
154	20	0.177391
155	20	0.485603
156	20	0.769497
157	20	0.971315
158	20	1.19487
159	20	1.38505
160	20	1.56564
161	20	1.6978
162	20	1.80796
163	20	1.91683
164	20	1.99123
165	20	2.07801
166	20	2.15908
167	20	2.23723
168	20	2.27988
169	20	2.36057
170	20	2.41911
171	20	2.45749
172	20	2.40568
173	20	2.43228
174	20	2.46298
175	20	2.5591
176	20	2.58673
177	20	2.61217
178	20	2.62359
179	20	2.6431
180	20	2.66054
-180	21	2.3561
-179	21	2.35961
-178	21	2.36735
-177	21	2.38243
-176	21	2.40881
-175	21	2.44304
-174	21	2.48643
-173	21	2.45631
-172	21	2.47775
-171	21	2.51708
-170	21	2.60619
-169	21	2.63854
-168	21	2.60666
-167	21	2.69772
-166	21	2.71492
-165	21	2.72525
-164	21	2.77369
-163	21	2.75407

-162	21	2.77786
-161	21	2.79413
-160	21	2.8183
-159	21	2.81104
-158	21	2.78578
-157	21	2.77981
-156	21	2.78018
-155	21	2.75677
-154	21	2.7342
-153	21	2.68979
-152	21	2.6167
-151	21	2.57211
-150	21	2.50806
-149	21	2.41175
-148	21	2.28724
-147	21	2.14374
-146	21	1.97247
-145	21	1.78582
-144	21	1.58179
-143	21	1.34321
-142	21	1.05782
-141	21	0.757747
-140	21	0.391348
-139	21	-0.0342422
-138	21	-0.556024
-137	21	-1.22769
-136	21	-1.85237
-135	21	-2.57394
-134	21	-3.16048
-133	21	-3.85349
-132	21	-4.6647
-131	21	-5.46221
-130	21	-6.14801
-129	21	-6.84376
-128	21	-7.33308
-127	21	-7.45166
-126	21	-7.19797
-125	21	-6.60876
-124	21	-5.82031
-123	21	-4.94418
-122	21	-4.03368
-121	21	-3.14634
-120	21	-2.28924
-119	21	-1.4892
-118	21	-0.764693
-117	21	-0.102316
-116	21	0.478601
-115	21	1.00157
-114	21	1.46752
-113	21	1.85477
-112	21	2.22119
-111	21	2.57787
-110	21	2.8079
-109	21	2.99819
-108	21	3.09324
-107	21	3.15229
-106	21	3.18725
-105	21	3.17092
-104	21	3.11212
-103	21	2.98697
-102	21	2.81857
-101	21	2.55367
-100	21	2.24672
-99	21	1.86712
-98	21	1.4048
-97	21	0.84828
-96	21	0.196654
-95	21	-0.57624
-94	21	-1.4801
-93	21	-2.53528
-92	21	-3.84445
-91	21	-5.42999
-90	21	-7.44854
-89	21	-10.0188
-88	21	-13.3269
-87	21	-16.6847
-86	21	-15.8967
-85	21	-12.3319
-84	21	-9.33715
-83	21	-6.93989
-82	21	-4.99101
-81	21	-3.457
-80	21	-2.2204
-79	21	-1.17843
-78	21	-0.303868
-77	21	0.42183
-76	21	1.08244
-75	21	1.63923
-74	21	2.10172
-73	21	2.49445
-72	21	2.80298
-71	21	3.06011
-70	21	3.2622
-69	21	3.39016
-68	21	3.47716

-67	21	3.51315
-66	21	3.48705
-65	21	3.43684
-64	21	3.3387
-63	21	3.19553
-62	21	2.99479
-61	21	2.74905
-60	21	2.44749
-59	21	2.08322
-58	21	1.65592
-57	21	1.191
-56	21	0.622078
-55	21	0.0131982
-54	21	-0.662444
-53	21	-1.41286
-52	21	-2.22298
-51	21	-3.12734
-50	21	-4.08068
-49	21	-5.11681
-48	21	-6.20656
-47	21	-6.98909
-46	21	-7.69396
-45	21	-7.81106
-44	21	-8.03643
-43	21	-8.17093
-42	21	-7.62388
-41	21	-6.89659
-40	21	-5.70523
-39	21	-4.9141
-38	21	-4.1576
-37	21	-3.44496
-36	21	-2.77979
-35	21	-2.14012
-34	21	-1.65472
-33	21	-1.19654
-32	21	-0.737146
-31	21	-0.326294
-30	21	-0.0123572
-29	21	0.310252
-28	21	0.581216
-27	21	0.839986
-26	21	1.07327
-25	21	1.294
-24	21	1.49582
-23	21	1.64556
-22	21	1.80402
-21	21	1.9295
-20	21	2.03534
-19	21	2.10789
-18	21	2.17307
-17	21	2.2912
-16	21	2.27775
-15	21	2.34475
-14	21	2.36338
-13	21	2.39035
-12	21	2.41114
-11	21	2.43019
-10	21	2.45851
-9	21	2.47247
-8	21	2.38618
-7	21	2.39238
-6	21	2.3984
-5	21	2.4531
-4	21	2.46398
-3	21	2.46521
-2	21	2.45342
-1	21	2.49979
0	21	2.49609
1	21	2.50938
2	21	2.53278
3	21	2.54633
4	21	2.57596
5	21	2.60438
6	21	2.62792
7	21	2.58394
8	21	2.58372
9	21	2.70799
10	21	2.72319
11	21	2.75893
12	21	2.78545
13	21	2.80978
14	21	2.83298
15	21	2.82096
16	21	2.84561
17	21	2.839
18	21	2.84491
19	21	2.83759
20	21	2.83591
21	21	2.8135
22	21	2.78102
23	21	2.76749
24	21	2.75081
25	21	2.71227
26	21	2.67321
27	21	2.54178

28	21	2.50537
29	21	2.44808
30	21	2.35497
31	21	2.22045
32	21	2.07201
33	21	1.90028
34	21	1.70483
35	21	1.27767
36	21	1.02849
37	21	0.761519
38	21	0.468265
39	21	0.167936
40	21	-0.175453
41	21	-0.605155
42	21	-1.15518
43	21	-1.90752
44	21	-2.59308
45	21	-3.42953
46	21	-4.19387
47	21	-5.07923
48	21	-6.07167
49	21	-7.06898
50	21	-8.02933
51	21	-8.75576
52	21	-9.14731
53	21	-8.83587
54	21	-8.00361
55	21	-6.83387
56	21	-5.745
57	21	-4.6508
58	21	-3.61307
59	21	-2.64758
60	21	-1.74133
61	21	-0.929715
62	21	-0.204247
63	21	0.445238
64	21	1.01128
65	21	1.51504
66	21	1.96521
67	21	2.34135
68	21	2.66781
69	21	2.97474
70	21	3.22349
71	21	3.39316
72	21	3.47282
73	21	3.50652
74	21	3.51875
75	21	3.48492
76	21	3.41167
77	21	3.26539
78	21	3.06295
79	21	2.79306
80	21	2.47669
81	21	2.06839
82	21	1.59165
83	21	1.02953
84	21	0.356352
85	21	-0.454393
86	21	-1.39786
87	21	-2.51788
88	21	-3.84196
89	21	-5.45488
90	21	-7.52119
91	21	-10.18
92	21	-13.7353
93	21	-17.3057
94	21	-16.1198
95	21	-12.272
96	21	-9.13921
97	21	-6.7203
98	21	-4.82001
99	21	-3.32203
100	21	-2.09606
101	21	-1.07061
102	21	-0.17778
103	21	0.544847
104	21	1.18091
105	21	1.72003
106	21	2.19654
107	21	2.58868
108	21	2.85534
109	21	3.09946
110	21	3.26974
111	21	3.38325
112	21	3.45272
113	21	3.46319
114	21	3.41941
115	21	3.34738
116	21	3.22637
117	21	3.0723
118	21	2.87581
119	21	2.63437
120	21	2.32525
121	21	1.96081
122	21	1.52064

123	21	1.01552
124	21	0.455869
125	21	-0.16255
126	21	-0.841315
127	21	-1.55427
128	21	-2.36418
129	21	-3.24429
130	21	-4.2273
131	21	-5.17972
132	21	-6.17245
133	21	-6.78266
134	21	-7.28735
135	21	-7.28514
136	21	-7.40291
137	21	-7.40246
138	21	-6.82171
139	21	-6.0765
140	21	-5.35165
141	21	-4.643
142	21	-3.95946
143	21	-3.28878
144	21	-2.64294
145	21	-2.05129
146	21	-1.52551
147	21	-1.05511
148	21	-0.594174
149	21	-0.253203
150	21	0.0960677
151	21	0.398867
152	21	0.680313
153	21	0.936408
154	21	1.15651
155	21	1.36458
156	21	1.54858
157	21	1.68942
158	21	1.81975
159	21	1.91339
160	21	2.03879
161	21	2.10843
162	21	2.16799
163	21	2.2802
164	21	2.26532
165	21	2.32338
166	21	2.34429
167	21	2.36918
168	21	2.38955
169	21	2.405
170	21	2.42889
171	21	2.43677
172	21	2.34713
173	21	2.34093
174	21	2.32265
175	21	2.37118
176	21	2.36234
177	21	2.361
178	21	2.35029
179	21	2.3916
180	21	2.3561
-180	22	1.8539
-179	22	1.82146
-178	22	1.79751
-177	22	1.80366
-176	22	1.80266
-175	22	1.82885
-174	22	1.85614
-173	22	1.82063
-172	22	1.84914
-171	22	1.88493
-170	22	1.95818
-169	22	2.00226
-168	22	2.04113
-167	22	2.0939
-166	22	2.14223
-165	22	2.20484
-164	22	2.21963
-163	22	2.29851
-162	22	2.32517
-161	22	2.39267
-160	22	2.44982
-159	22	2.4954
-158	22	2.54354
-157	22	2.54817
-156	22	2.61162
-155	22	2.64938
-154	22	2.68823
-153	22	2.7033
-152	22	2.68718
-151	22	2.70242
-150	22	2.69619
-149	22	2.65641
-148	22	2.6037
-147	22	2.53733
-146	22	2.44636
-145	22	2.3453
-144	22	2.20757

-143	22	2.0471
-142	22	1.85115
-141	22	1.62367
-140	22	1.36389
-139	22	1.05017
-138	22	0.680397
-137	22	0.256756
-136	22	-0.23977
-135	22	-0.814961
-134	22	-1.57794
-133	22	-2.35749
-132	22	-3.01576
-131	22	-3.6807
-130	22	-4.40258
-129	22	-5.30201
-128	22	-6.12524
-127	22	-6.83029
-126	22	-7.28504
-125	22	-7.41118
-124	22	-7.14779
-123	22	-6.53442
-122	22	-5.6577
-121	22	-4.7064
-120	22	-3.74315
-119	22	-2.81446
-118	22	-1.969
-117	22	-1.20213
-116	22	-0.494881
-115	22	0.166194
-114	22	0.76387
-113	22	1.21148
-112	22	1.65871
-111	22	2.03589
-110	22	2.38073
-109	22	2.6747
-108	22	2.86467
-107	22	2.95811
-106	22	3.00029
-105	22	3.02114
-104	22	2.98938
-103	22	2.89638
-102	22	2.74204
-101	22	2.5318
-100	22	2.24396
-99	22	1.88356
-98	22	1.44163
-97	22	0.913255
-96	22	0.263611
-95	22	-0.520373
-94	22	-1.47903
-93	22	-2.59295
-92	22	-3.93939
-91	22	-5.60651
-90	22	-7.74226
-89	22	-10.55
-88	22	-14.1368
-87	22	-17.3191
-86	22	-15.2479
-85	22	-11.4366
-84	22	-8.37661
-83	22	-6.22733
-82	22	-4.36967
-81	22	-2.92813
-80	22	-1.73547
-79	22	-0.736701
-78	22	0.122721
-77	22	0.832294
-76	22	1.44387
-75	22	1.97527
-74	22	2.39853
-73	22	2.74379
-72	22	3.01688
-71	22	3.2242
-70	22	3.36803
-69	22	3.45457
-68	22	3.49536
-67	22	3.46419
-66	22	3.39397
-65	22	3.27589
-64	22	3.10883
-63	22	2.88918
-62	22	2.62547
-61	22	2.27292
-60	22	1.8724
-59	22	1.3951
-58	22	0.827834
-57	22	0.206581
-56	22	-0.550565
-55	22	-1.35068
-54	22	-2.23735
-53	22	-3.18292
-52	22	-4.20158
-51	22	-5.35033
-50	22	-6.42806
-49	22	-7.61509

-48	22	-8.27804
-47	22	-8.7896
-46	22	-9.01481
-45	22	-8.46738
-44	22	-7.26967
-43	22	-6.30929
-42	22	-5.4015
-41	22	-4.51395
-40	22	-3.67511
-39	22	-2.89867
-38	22	-2.20888
-37	22	-1.58055
-36	22	-1.0466
-35	22	-0.575344
-34	22	-0.134527
-33	22	0.243192
-32	22	0.594348
-31	22	0.870831
-30	22	1.14869
-29	22	1.39679
-28	22	1.61774
-27	22	1.75765
-26	22	1.8918
-25	22	2.03748
-24	22	2.16073
-23	22	2.25845
-22	22	2.34744
-21	22	2.41193
-20	22	2.4518
-19	22	2.4576
-18	22	2.47245
-17	22	2.46817
-16	22	2.46259
-15	22	2.45618
-14	22	2.43742
-13	22	2.42213
-12	22	2.38689
-11	22	2.38078
-10	22	2.36143
-9	22	2.32461
-8	22	2.18187
-7	22	2.14721
-6	22	2.10961
-5	22	2.15564
-4	22	2.1405
-3	22	2.10862
-2	22	2.08197
-1	22	2.0735
0	22	2.06868
1	22	2.04728
2	22	1.99803
3	22	2.0294
4	22	2.04456
5	22	2.06824
6	22	2.08284
7	22	2.04491
8	22	2.09534
9	22	2.13072
10	22	2.22416
11	22	2.24661
12	22	2.28835
13	22	2.35397
14	22	2.39704
15	22	2.42365
16	22	2.44675
17	22	2.50136
18	22	2.53453
19	22	2.5678
20	22	2.60834
21	22	2.63854
22	22	2.67521
23	22	2.66638
24	22	2.69537
25	22	2.72009
26	22	2.74522
27	22	2.73209
28	22	2.68622
29	22	2.69277
30	22	2.66631
31	22	2.60616
32	22	2.5197
33	22	2.41367
34	22	2.29703
35	22	2.16708
36	22	1.97753
37	22	1.83083
38	22	1.59475
39	22	1.65122
40	22	1.33906
41	22	0.983593
42	22	0.565315
43	22	0.0720132
44	22	-0.487666
45	22	-1.16443
46	22	-2.02991

47	22	-2.93328
48	22	-3.72531
49	22	-4.59218
50	22	-5.54991
51	22	-6.66494
52	22	-7.72566
53	22	-8.63468
54	22	-9.08411
55	22	-8.9005
56	22	-8.1514
57	22	-7.06741
58	22	-5.8289
59	22	-4.6066
60	22	-3.4843
61	22	-2.4703
62	22	-1.56808
63	22	-0.745803
64	22	-0.0152272
65	22	0.628061
66	22	1.19445
67	22	1.672
68	22	2.08208
69	22	2.44269
70	22	2.76321
71	22	3.02909
72	22	3.20674
73	22	3.28297
74	22	3.29604
75	22	3.31075
76	22	3.27203
77	22	3.16876
78	22	2.9924
79	22	2.76126
80	22	2.4632
81	22	2.09361
82	22	1.60504
83	22	1.03785
84	22	0.356247
85	22	-0.443201
86	22	-1.38132
87	22	-2.52679
88	22	-3.9138
89	22	-5.6042
90	22	-7.77498
91	22	-10.6706
92	22	-14.4323
93	22	-17.6831
94	22	-15.0227
95	22	-11.2001
96	22	-8.30708
97	22	-6.01938
98	22	-4.19268
99	22	-2.76476
100	22	-1.58313
101	22	-0.603382
102	22	0.228607
103	22	0.932691
104	22	1.53008
105	22	2.03107
106	22	2.43868
107	22	2.78304
108	22	3.04176
109	22	3.24262
110	22	3.38023
111	22	3.4579
112	22	3.48392
113	22	3.44178
114	22	3.33814
115	22	3.23218
116	22	2.99583
117	22	2.75955
118	22	2.46712
119	22	2.12958
120	22	1.72281
121	22	1.24126
122	22	0.656345
123	22	0.0216092
124	22	-0.699786
125	22	-1.50205
126	22	-2.38548
127	22	-3.36222
128	22	-4.37316
129	22	-5.45924
130	22	-6.45522
131	22	-7.53564
132	22	-7.9553
133	22	-8.25092
134	22	-8.41862
135	22	-7.82573
136	22	-6.95487
137	22	-6.01677
138	22	-5.14014
139	22	-4.2725
140	22	-3.41556
141	22	-2.69805

142	22	-2.04203
143	22	-1.46396
144	22	-0.944406
145	22	-0.472539
146	22	-0.0500901
147	22	0.325582
148	22	0.687046
149	22	0.957478
150	22	1.21292
151	22	1.44231
152	22	1.31851
153	22	1.77339
154	22	1.90504
155	22	2.02599
156	22	2.13836
157	22	2.22281
158	22	2.30152
159	22	2.35115
160	22	2.37884
161	22	2.41712
162	22	2.4252
163	22	2.43042
164	22	2.41708
165	22	2.39518
166	22	2.36851
167	22	2.35728
168	22	2.32094
169	22	2.29791
170	22	2.26908
171	22	2.21691
172	22	2.0762
173	22	2.0144
174	22	1.96349
175	22	1.97645
176	22	1.94941
177	22	1.91834
178	22	1.90331
179	22	1.88284
180	22	1.8539
-180	23	1.33573
-179	23	1.28112
-178	23	1.2311
-177	23	1.19404
-176	23	1.16196
-175	23	1.1261
-174	23	1.11702
-173	23	1.07424
-172	23	1.08227
-171	23	1.11111
-170	23	1.18002
-169	23	1.23426
-168	23	1.27178
-167	23	1.3078
-166	23	1.36939
-165	23	1.44242
-164	23	1.51541
-163	23	1.58281
-162	23	1.69231
-161	23	1.74955
-160	23	1.84076
-159	23	1.93688
-158	23	2.01166
-157	23	2.09099
-156	23	2.19751
-155	23	2.29756
-154	23	2.3856
-153	23	2.46263
-152	23	2.50354
-151	23	2.57553
-150	23	2.61979
-149	23	2.64341
-148	23	2.66047
-147	23	2.65632
-146	23	2.63307
-145	23	2.57857
-144	23	2.49312
-143	23	2.38626
-142	23	2.27253
-141	23	2.11993
-140	23	1.93015
-139	23	1.70993
-138	23	1.44102
-137	23	1.13827
-136	23	0.792214
-135	23	0.394157
-134	23	-0.0890191
-133	23	-0.647355
-132	23	-1.34798
-131	23	-2.16987
-130	23	-2.97607
-129	23	-3.65525
-128	23	-4.44476
-127	23	-5.29068
-126	23	-6.10387
-125	23	-6.81373

-124	23	-7.23928
-123	23	-7.27143
-122	23	-6.86722
-121	23	-6.11932
-120	23	-5.20893
-119	23	-4.20924
-118	23	-3.26223
-117	23	-2.31943
-116	23	-1.50236
-115	23	-0.761808
-114	23	-0.0606077
-113	23	0.539219
-112	23	1.04801
-111	23	1.51488
-110	23	1.90483
-109	23	2.24776
-108	23	2.56007
-107	23	2.73536
-106	23	2.82787
-105	23	2.87702
-104	23	2.88804
-103	23	2.8291
-102	23	2.69422
-101	23	2.48467
-100	23	2.21967
-99	23	1.8692
-98	23	1.4308
-97	23	0.913188
-96	23	0.267229
-95	23	-0.51998
-94	23	-1.47255
-93	23	-2.5883
-92	23	-3.98407
-91	23	-5.74386
-90	23	-8.01881
-89	23	-11.0552
-88	23	-15.1663
-87	23	-18.1666
-86	23	-14.6227
-85	23	-10.7406
-84	23	-7.89758
-83	23	-5.66206
-82	23	-3.85978
-81	23	-2.4792
-80	23	-1.30256
-79	23	-0.326859
-78	23	0.491462
-77	23	1.1783
-76	23	1.73369
-75	23	2.22946
-74	23	2.62618
-73	23	2.93551
-72	23	3.17498
-71	23	3.33693
-70	23	3.43087
-69	23	3.46008
-68	23	3.43569
-67	23	3.3484
-66	23	3.21786
-65	23	3.01376
-64	23	2.76751
-63	23	2.45431
-62	23	2.08067
-61	23	1.62615
-60	23	1.06457
-59	23	0.4327
-58	23	-0.275378
-57	23	-1.11125
-56	23	-2.03654
-55	23	-3.06646
-54	23	-4.23072
-53	23	-5.49586
-52	23	-6.67836
-51	23	-7.90178
-50	23	-8.70109
-49	23	-9.28634
-48	23	-9.52694
-47	23	-8.39044
-46	23	-7.26504
-45	23	-6.03245
-44	23	-4.87801
-43	23	-3.89297
-42	23	-3.03885
-41	23	-2.28532
-40	23	-1.61564
-39	23	-1.00156
-38	23	-0.420046
-37	23	0.0667351
-36	23	0.489747
-35	23	0.868964
-34	23	1.19467
-33	23	1.47772
-32	23	1.73122
-31	23	1.95758
-30	23	2.14077

-29	23	2.29493
-28	23	2.40622
-27	23	2.53076
-26	23	2.6194
-25	23	2.6653
-24	23	2.72761
-23	23	2.75677
-22	23	2.78902
-21	23	2.78952
-20	23	2.76837
-19	23	2.73152
-18	23	2.67822
-17	23	2.63708
-16	23	2.58354
-15	23	2.52575
-14	23	2.45115
-13	23	2.38865
-12	23	2.24663
-11	23	2.28274
-10	23	2.1893
-9	23	2.11235
-8	23	1.97883
-7	23	1.90791
-6	23	1.79054
-5	23	1.82353
-4	23	1.74842
-3	23	1.7097
-2	23	1.67166
-1	23	1.62873
0	23	1.59025
1	23	1.54884
2	23	1.51965
3	23	1.48527
4	23	1.46994
5	23	1.43568
6	23	1.43323
7	23	1.43355
8	23	1.44434
9	23	1.48632
10	23	1.56249
11	23	1.61261
12	23	1.66414
13	23	1.71216
14	23	1.75701
15	23	1.80536
16	23	1.85902
17	23	1.91234
18	23	1.99446
19	23	2.05971
20	23	2.12263
21	23	2.1909
22	23	2.2484
23	23	2.29924
24	23	2.38035
25	23	2.45568
26	23	2.51536
27	23	2.57875
28	23	2.60856
29	23	2.67245
30	23	2.69276
31	23	2.68809
32	23	2.67332
33	23	2.64914
34	23	2.6105
35	23	2.53946
36	23	2.43955
37	23	2.31061
38	23	2.17568
39	23	1.96886
40	23	1.76911
41	23	1.49406
42	23	1.51578
43	23	1.1872
44	23	0.790614
45	23	0.364167
46	23	-0.180588
47	23	-0.854784
48	23	-1.63429
49	23	-2.58497
50	23	-3.52905
51	23	-4.46648
52	23	-5.46192
53	23	-6.58613
54	23	-7.72176
55	23	-8.67933
56	23	-9.07927
57	23	-8.77771
58	23	-7.93279
59	23	-6.755
60	23	-5.47579
61	23	-4.25454
62	23	-3.12594
63	23	-2.10566
64	23	-1.2051
65	23	-0.404544

66	23	0.30754
67	23	0.909964
68	23	1.4092
69	23	1.86643
70	23	2.24608
71	23	2.57492
72	23	2.846
73	23	3.01933
74	23	3.09097
75	23	3.1151
76	23	3.10207
77	23	3.03672
78	23	2.8976
79	23	2.6749
80	23	2.38421
81	23	2.02228
82	23	1.55586
83	23	1.00266
84	23	0.353782
85	23	-0.45526
86	23	-1.40822
87	23	-2.57555
88	23	-4.00361
89	23	-5.77616
90	23	-8.08895
91	23	-11.269
92	23	-15.4433
93	23	-17.9059
94	23	-14.3843
95	23	-10.4388
96	23	-7.64946
97	23	-5.42075
98	23	-3.64807
99	23	-2.26829
100	23	-1.0968
101	23	-0.165619
102	23	0.614837
103	23	1.27848
104	23	1.83611
105	23	2.29582
106	23	2.6727
107	23	2.96774
108	23	3.19056
109	23	3.34648
110	23	3.43316
111	23	3.45008
112	23	3.41178
113	23	3.31842
114	23	3.16642
115	23	2.96515
116	23	2.68204
117	23	2.34004
118	23	1.94673
119	23	1.47048
120	23	0.901036
121	23	0.314279
122	23	-0.482591
123	23	-1.2962
124	23	-2.21713
125	23	-3.23139
126	23	-4.34929
127	23	-5.65405
128	23	-6.70826
129	23	-7.81856
130	23	-8.44185
131	23	-8.88493
132	23	-9.07373
133	23	-8.25273
134	23	-7.00562
135	23	-5.77172
136	23	-4.70786
137	23	-3.70311
138	23	-2.85862
139	23	-2.13087
140	23	-1.42209
141	23	-0.859238
142	23	-0.297536
143	23	0.197979
144	23	0.623865
145	23	0.979837
146	23	1.28824
147	23	1.54872
148	23	1.7769
149	23	1.98714
150	23	2.14212
151	23	2.2867
152	23	2.40294
153	23	2.4952
154	23	2.58047
155	23	2.6434
156	23	2.68455
157	23	2.70462
158	23	2.71668
159	23	2.70882
160	23	2.68292

161	23	2.644
162	23	2.63909
163	23	2.54861
164	23	2.479
165	23	2.41352
166	23	2.34798
167	23	2.28256
168	23	2.11082
169	23	2.1323
170	23	2.03452
171	23	1.95316
172	23	1.82225
173	23	1.74073
174	23	1.60872
175	23	1.62235
176	23	1.54441
177	23	1.47508
178	23	1.43156
179	23	1.39701
180	23	1.33573
-180	24	1.01856
-179	24	0.933243
-178	24	0.860061
-177	24	0.805142
-176	24	0.760801
-175	24	0.724877
-174	24	0.683644
-173	24	0.640671
-172	24	0.616837
-171	24	0.596744
-170	24	0.574402
-169	24	0.606526
-168	24	0.65008
-167	24	0.694729
-166	24	0.747617
-165	24	0.799619
-164	24	0.862591
-163	24	0.930767
-162	24	1.01022
-161	24	1.1323
-160	24	1.22417
-159	24	1.36345
-158	24	1.45946
-157	24	1.56682
-156	24	1.70825
-155	24	1.83633
-154	24	1.96119
-153	24	2.08665
-152	24	2.16498
-151	24	2.26473
-150	24	2.32774
-149	24	2.40111
-148	24	2.47419
-147	24	2.53133
-146	24	2.57047
-145	24	2.557
-144	24	2.5708
-143	24	2.53281
-142	24	2.48261
-141	24	2.41744
-140	24	2.30977
-139	24	2.17838
-138	24	2.01349
-137	24	1.81458
-136	24	1.56336
-135	24	1.26341
-134	24	0.912583
-133	24	0.521095
-132	24	0.0358082
-131	24	-0.56249
-130	24	-1.27806
-129	24	-2.11192
-128	24	-2.94183
-127	24	-3.64876
-126	24	-4.42664
-125	24	-5.36232
-124	24	-6.27415
-123	24	-6.90934
-122	24	-7.28962
-121	24	-7.11451
-120	24	-6.54189
-119	24	-5.64128
-118	24	-4.73163
-117	24	-3.68237
-116	24	-2.72063
-115	24	-1.8088
-114	24	-0.978918
-113	24	-0.241543
-112	24	0.374094
-111	24	0.921829
-110	24	1.39928
-109	24	1.81534
-108	24	2.16699
-107	24	2.43865
-106	24	2.61909

-105	24	2.69536
-104	24	2.72091
-103	24	2.70939
-102	24	2.61721
-101	24	2.44068
-100	24	2.1736
-99	24	1.83002
-98	24	1.40292
-97	24	0.881775
-96	24	0.236214
-95	24	-0.544344
-94	24	-1.507
-93	24	-2.68086
-92	24	-4.13076
-91	24	-5.93853
-90	24	-8.30794
-89	24	-11.5732
-88	24	-16.2177
-87	24	-18.9982
-86	24	-14.4481
-85	24	-10.3226
-84	24	-7.42803
-83	24	-5.20692
-82	24	-3.42285
-81	24	-2.00267
-80	24	-0.861816
-79	24	0.0573083
-78	24	0.8262
-77	24	1.47543
-76	24	1.99884
-75	24	2.45326
-74	24	2.81271
-73	24	3.0729
-72	24	3.26385
-71	24	3.37653
-70	24	3.42247
-69	24	3.40589
-68	24	3.31683
-67	24	3.15849
-66	24	2.94136
-65	24	2.65808
-64	24	2.31307
-63	24	1.87666
-62	24	1.38457
-61	24	0.80014
-60	24	0.0974736
-59	24	-0.725391
-58	24	-1.62139
-57	24	-2.73289
-56	24	-3.93548
-55	24	-5.31423
-54	24	-6.70352
-53	24	-8.14421
-52	24	-9.18542
-51	24	-9.68713
-50	24	-9.84169
-49	24	-8.39076
-48	24	-7.44093
-47	24	-5.72627
-46	24	-4.51232
-45	24	-3.42678
-44	24	-2.47739
-43	24	-1.63995
-42	24	-0.917417
-41	24	-0.313743
-40	24	0.229096
-39	24	0.715816
-38	24	1.10472
-37	24	1.47839
-36	24	1.81625
-35	24	2.09563
-34	24	2.34719
-33	24	2.5543
-32	24	2.73353
-31	24	2.86678
-30	24	2.97173
-29	24	3.00148
-28	24	3.12291
-27	24	3.17137
-26	24	3.19344
-25	24	3.20107
-24	24	3.19988
-23	24	3.15403
-22	24	3.11201
-21	24	3.0743
-20	24	3.00478
-19	24	2.93284
-18	24	2.8539
-17	24	2.77022
-16	24	2.67412
-15	24	2.56046
-14	24	2.45757
-13	24	2.37858
-12	24	2.28259
-11	24	2.18922

-10	24	2.08586
-9	24	1.98421
-8	24	1.88319
-7	24	1.78998
-6	24	1.69736
-5	24	1.63004
-4	24	1.52181
-3	24	1.44204
-2	24	1.35086
-1	24	1.25082
0	24	1.20224
1	24	1.15268
2	24	1.09751
3	24	1.05508
4	24	1.02178
5	24	0.986309
6	24	0.958727
7	24	0.927801
8	24	0.925114
9	24	0.892313
10	24	0.912397
11	24	0.958052
12	24	0.99692
13	24	1.05038
14	24	1.11018
15	24	1.16393
16	24	1.22029
17	24	1.2886
18	24	1.37363
19	24	1.47773
20	24	1.54321
21	24	1.6417
22	24	1.74181
23	24	1.81332
24	24	1.94466
25	24	2.06631
26	24	2.1794
27	24	2.26696
28	24	2.3435
29	24	2.44402
30	24	2.49979
31	24	2.54753
32	24	2.59635
33	24	2.63293
34	24	2.63911
35	24	2.60243
36	24	2.59006
37	24	2.55791
38	24	2.48981
39	24	2.38398
40	24	2.25189
41	24	2.09208
42	24	1.89519
43	24	1.65704
44	24	1.35303
45	24	1.26689
46	24	0.8663
47	24	0.435546
48	24	-0.117027
49	24	-0.792271
50	24	-1.59366
51	24	-2.60802
52	24	-3.56257
53	24	-4.48818
54	24	-5.55458
55	24	-6.77985
56	24	-7.91345
57	24	-8.74842
58	24	-8.95517
59	24	-8.31701
60	24	-7.31114
61	24	-6.02354
62	24	-4.73817
63	24	-3.52634
64	24	-2.44663
65	24	-1.48952
66	24	-0.648552
67	24	0.0733191
68	24	0.687295
69	24	1.22173
70	24	1.6868
71	24	2.0856
72	24	2.4223
73	24	2.68134
74	24	2.84878
75	24	2.90161
76	24	2.9263
77	24	2.88686
78	24	2.78145
79	24	2.58693
80	24	2.29097
81	24	1.93547
82	24	1.51206
83	24	0.985335
84	24	0.299709

85	24	-0.507119
86	24	-1.50916
87	24	-2.68422
88	24	-4.17789
89	24	-6.13039
90	24	-8.52151
91	24	-11.9497
92	24	-16.6518
93	24	-18.323
94	24	-13.5873
95	24	-9.631
96	24	-6.97131
97	24	-4.84958
98	24	-3.12678
99	24	-1.78017
100	24	-0.69281
101	24	0.217564
102	24	0.969745
103	24	1.60663
104	24	2.11913
105	24	2.55466
106	24	2.88605
107	24	3.12827
108	24	3.29508
109	24	3.39416
110	24	3.42245
111	24	3.39344
112	24	3.29159
113	24	3.13076
114	24	2.90317
115	24	2.61255
116	24	2.23482
117	24	1.79589
118	24	1.26404
119	24	0.641961
120	24	-0.0837647
121	24	-0.910229
122	24	-1.85755
123	24	-2.92936
124	24	-4.11991
125	24	-5.4649
126	24	-6.66298
127	24	-8.16847
128	24	-9.06806
129	24	-9.41333
130	24	-9.2784
131	24	-8.17002
132	24	-6.85747
133	24	-5.48661
134	24	-4.25408
135	24	-3.13899
136	24	-2.23001
137	24	-1.41661
138	24	-0.754933
139	24	-0.137244
140	24	0.385845
141	24	0.848495
142	24	1.25795
143	24	1.61572
144	24	1.93307
145	24	2.2002
146	24	2.40411
147	24	2.58895
148	24	2.7488
149	24	2.87465
150	24	2.95138
151	24	2.97291
152	24	3.09338
153	24	3.13823
154	24	3.16659
155	24	3.17157
156	24	3.15568
157	24	3.12548
158	24	3.0826
159	24	3.02749
160	24	2.96
161	24	2.88329
162	24	2.80164
163	24	2.7007
164	24	2.60722
165	24	2.50802
166	24	2.40528
167	24	2.28705
168	24	2.16277
169	24	2.06675
170	24	1.95475
171	24	1.8467
172	24	1.72103
173	24	1.61519
174	24	1.51472
175	24	1.42667
176	24	1.33363
177	24	1.24697
178	24	1.183
179	24	1.09702

180	24	1.01856
-180	25	1.01473
-179	25	0.950951
-178	25	0.865788
-177	25	0.790875
-176	25	0.737148
-175	25	0.678998
-174	25	0.610559
-173	25	0.572075
-172	25	0.412774
-171	25	0.462849
-170	25	0.423532
-169	25	0.370676
-168	25	0.361037
-167	25	0.351687
-166	25	0.378136
-165	25	0.427115
-164	25	0.481523
-163	25	0.563032
-162	25	0.621205
-161	25	0.707778
-160	25	0.797526
-159	25	0.898298
-158	25	1.02835
-157	25	1.10298
-156	25	1.22936
-155	25	1.34797
-154	25	1.47281
-153	25	1.58304
-152	25	1.68811
-151	25	1.84005
-150	25	1.94259
-149	25	2.0762
-148	25	2.21393
-147	25	2.28825
-146	25	2.36582
-145	25	2.44818
-144	25	2.49074
-143	25	2.52543
-142	25	2.51995
-141	25	2.50919
-140	25	2.48126
-139	25	2.41231
-138	25	2.30561
-137	25	2.16705
-136	25	2.0038
-135	25	1.79416
-134	25	1.52488
-133	25	1.17151
-132	25	0.782862
-131	25	0.373486
-130	25	-0.135962
-129	25	-0.760941
-128	25	-1.50405
-127	25	-2.50571
-126	25	-3.30917
-125	25	-4.21931
-124	25	-5.081
-123	25	-6.0244
-122	25	-6.78083
-121	25	-7.21465
-120	25	-7.19647
-119	25	-6.6628
-118	25	-5.77377
-117	25	-4.79662
-116	25	-3.77445
-115	25	-2.78318
-114	25	-1.82027
-113	25	-1.00124
-112	25	-0.292407
-111	25	0.335252
-110	25	0.895232
-109	25	1.38385
-108	25	1.78999
-107	25	2.11347
-106	25	2.36488
-105	25	2.51192
-104	25	2.56355
-103	25	2.60042
-102	25	2.55349
-101	25	2.39676
-100	25	2.1483
-99	25	1.83447
-98	25	1.43169
-97	25	0.947406
-96	25	0.297111
-95	25	-0.490954
-94	25	-1.46167
-93	25	-2.65001
-92	25	-4.12586
-91	25	-5.98451
-90	25	-8.57965
-89	25	-12.1117
-88	25	-17.6548
-87	25	-19.7963

-86	25	-13.9354
-85	25	-9.80638
-84	25	-6.99726
-83	25	-4.79145
-82	25	-2.98084
-81	25	-1.6478
-80	25	-0.552358
-79	25	0.350498
-78	25	1.10115
-77	25	1.71728
-76	25	2.22573
-75	25	2.61151
-74	25	2.95136
-73	25	3.16796
-72	25	3.30521
-71	25	3.36478
-70	25	3.36389
-69	25	3.28096
-68	25	3.12685
-67	25	2.89165
-66	25	2.5881
-65	25	2.20583
-64	25	1.74673
-63	25	1.19977
-62	25	0.545442
-61	25	-0.196706
-60	25	-1.08028
-59	25	-2.11524
-58	25	-3.30609
-57	25	-4.67866
-56	25	-6.11304
-55	25	-7.68092
-54	25	-8.96166
-53	25	-9.76971
-52	25	-9.68164
-51	25	-8.55849
-50	25	-7.08068
-49	25	-5.62985
-48	25	-4.21734
-47	25	-3.02596
-46	25	-2.00552
-45	25	-1.13505
-44	25	-0.37198
-43	25	0.286144
-42	25	0.841369
-41	25	1.31739
-40	25	1.74463
-39	25	2.09225
-38	25	2.41959
-37	25	2.69895
-36	25	2.94591
-35	25	3.13025
-34	25	3.30768
-33	25	3.44266
-32	25	3.54189
-31	25	3.60246
-30	25	3.64351
-29	25	3.66514
-28	25	3.66304
-27	25	3.54456
-26	25	3.63966
-25	25	3.58672
-24	25	3.51709
-23	25	3.42936
-22	25	3.3658
-21	25	3.29334
-20	25	3.19174
-19	25	3.13483
-18	25	2.97904
-17	25	2.86442
-16	25	2.71638
-15	25	2.59434
-14	25	2.37179
-13	25	2.38159
-12	25	2.26442
-11	25	2.1482
-10	25	2.026
-9	25	1.92606
-8	25	1.84506
-7	25	1.72549
-6	25	1.63062
-5	25	1.50725
-4	25	1.42478
-3	25	0.428497
-2	25	1.23834
-1	25	1.15583
0	25	1.08356
1	25	1.00811
2	25	0.954043
3	25	0.903957
4	25	0.844643
5	25	0.794808
6	25	0.739897
7	25	0.713755
8	25	0.566597

9	25	0.613018
10	25	0.555639
11	25	0.571092
12	25	0.576805
13	25	0.606103
14	25	0.640252
15	25	0.690439
16	25	0.741045
17	25	0.821371
18	25	0.897692
19	25	0.975807
20	25	1.08029
21	25	1.17346
22	25	1.30927
23	25	1.38917
24	25	1.51627
25	25	1.63683
26	25	1.75999
27	25	1.86361
28	25	1.95774
29	25	2.07361
30	25	2.1761
31	25	2.28478
32	25	2.39139
33	25	2.45164
34	25	2.51695
35	25	2.57873
36	25	2.61802
37	25	2.63035
38	25	2.6152
39	25	2.59108
40	25	2.54066
41	25	2.45513
42	25	2.32386
43	25	2.1559
44	25	1.95006
45	25	1.70143
46	25	1.3863
47	25	1.22978
48	25	0.822149
49	25	0.342748
50	25	-0.17889
51	25	-0.864393
52	25	-1.70357
53	25	-2.81548
54	25	-3.85065
55	25	-4.91008
56	25	-6.08946
57	25	-7.33805
58	25	-8.35692
59	25	-8.87065
60	25	-8.63108
61	25	-7.68615
62	25	-6.42219
63	25	-5.10904
64	25	-3.86263
65	25	-2.72784
66	25	-1.71071
67	25	-0.833917
68	25	-0.0998388
69	25	0.555185
70	25	1.11077
71	25	1.62257
72	25	2.00275
73	25	2.31025
74	25	2.5446
75	25	2.68438
76	25	2.71476
77	25	2.71467
78	25	2.64875
79	25	2.48102
80	25	2.2299
81	25	1.89492
82	25	1.46596
83	25	0.953799
84	25	0.297061
85	25	-0.543722
86	25	-1.59652
87	25	-2.81662
88	25	-4.33328
89	25	-6.31706
90	25	-8.93839
91	25	-12.7915
92	25	-18.1921
93	25	-18.2013
94	25	-12.7235
95	25	-8.94622
96	25	-6.32835
97	25	-4.27872
98	25	-2.59179
99	25	-1.31774
100	25	-0.272138
101	25	0.584514
102	25	1.29937
103	25	1.90654

104	25	2.38753
105	25	2.77179
106	25	3.0643
107	25	3.26561
108	25	3.38334
109	25	3.41951
110	25	3.39133
111	25	3.2882
112	25	3.11529
113	25	2.84924
114	25	2.54224
115	25	2.14931
116	25	1.67419
117	25	1.09504
118	25	0.431085
119	25	-0.339638
120	25	-1.26176
121	25	-2.29884
122	25	-3.49101
123	25	-4.86823
124	25	-6.26065
125	25	-7.71257
126	25	-8.91655
127	25	-9.45198
128	25	-9.44383
129	25	-8.27066
130	25	-6.79781
131	25	-5.29072
132	25	-3.98931
133	25	-2.81423
134	25	-1.76952
135	25	-0.883698
136	25	-0.165871
137	25	0.491377
138	25	1.05571
139	25	1.53313
140	25	1.89185
141	25	2.22048
142	25	2.5388
143	25	2.79564
144	25	3.00555
145	25	3.19787
146	25	3.3529
147	25	3.48337
148	25	3.5805
149	25	3.64969
150	25	3.67051
151	25	3.68169
152	25	3.68102
153	25	3.5297
154	25	3.63348
155	25	3.58451
156	25	3.51615
157	25	3.43792
158	25	3.34764
159	25	3.26482
160	25	3.1534
161	25	3.04953
162	25	2.93397
163	25	2.8145
164	25	2.69629
165	25	2.58557
166	25	2.33333
167	25	2.3284
168	25	2.21569
169	25	2.09988
170	25	1.97064
171	25	1.84758
172	25	1.75506
173	25	1.66707
174	25	1.53074
175	25	1.40318
176	25	1.31321
177	25	0.332013
178	25	1.16316
179	25	1.10058
180	25	1.01473
-180	26	1.20262
-179	26	1.1387
-178	26	1.07495
-177	26	1.02105
-176	26	0.946104
-175	26	0.866265
-174	26	0.816696
-173	26	0.814144
-172	26	0.751781
-171	26	0.707075
-170	26	0.600505
-169	26	0.54789
-168	26	0.509155
-167	26	0.482026
-166	26	0.469802
-165	26	0.475925
-164	26	0.483683
-163	26	0.513647

-162	26	0.543698
-161	26	0.574235
-160	26	0.636857
-159	26	0.691183
-158	26	0.812429
-157	26	0.823638
-156	26	0.913382
-155	26	1.00484
-154	26	1.11999
-153	26	1.23383
-152	26	1.3832
-151	26	1.51967
-150	26	1.663
-149	26	1.8078
-148	26	1.93766
-147	26	2.03834
-146	26	2.17814
-145	26	2.30092
-144	26	2.36399
-143	26	2.43917
-142	26	2.49891
-141	26	2.55046
-140	26	2.57916
-139	26	2.57385
-138	26	2.54086
-137	26	2.48557
-136	26	2.39571
-135	26	2.24288
-134	26	2.01939
-133	26	1.76087
-132	26	1.49952
-131	26	1.19387
-130	26	0.803128
-129	26	0.330774
-128	26	-0.222178
-127	26	-0.986231
-126	26	-1.89616
-125	26	-2.93056
-124	26	-3.90962
-123	26	-4.81978
-122	26	-5.67401
-121	26	-6.43864
-120	26	-7.04409
-119	26	-7.11679
-118	26	-6.66834
-117	26	-5.7876
-116	26	-4.82608
-115	26	-3.76804
-114	26	-2.70329
-113	26	-1.77803
-112	26	-0.950257
-111	26	-0.217696
-110	26	0.427101
-109	26	0.975492
-108	26	1.4426
-107	26	1.82786
-106	26	2.11445
-105	26	2.32217
-104	26	2.43446
-103	26	2.48057
-102	26	2.46163
-101	26	2.3679
-100	26	2.14555
-99	26	1.84129
-98	26	1.45433
-97	26	0.966654
-96	26	0.356004
-95	26	-0.44012
-94	26	-1.43245
-93	26	-2.64434
-92	26	-4.15989
-91	26	-6.07734
-90	26	-8.69637
-89	26	-12.5714
-88	26	-19.1666
-87	26	-20.5995
-86	26	-13.5022
-85	26	-9.26481
-84	26	-6.4947
-83	26	-4.33674
-82	26	-2.64206
-81	26	-1.3346
-80	26	-0.268903
-79	26	0.600453
-78	26	1.31861
-77	26	1.90257
-76	26	2.39708
-75	26	2.74692
-74	26	3.02849
-73	26	3.20908
-72	26	3.29794
-71	26	3.30585
-70	26	3.24307
-69	26	3.09578
-68	26	2.8761

-67	26	2.53961
-66	26	2.13637
-65	26	1.64206
-64	26	1.05412
-63	26	0.354077
-62	26	-0.450237
-61	26	-1.37263
-60	26	-2.44984
-59	26	-3.70466
-58	26	-5.10932
-57	26	-6.68572
-56	26	-8.06185
-55	26	-9.16263
-54	26	-9.43565
-53	26	-8.45515
-52	26	-6.96236
-51	26	-5.42572
-50	26	-4.05663
-49	26	-2.86737
-48	26	-1.75043
-47	26	-0.808665
-46	26	-0.0172735
-45	26	0.680048
-44	26	1.28769
-43	26	1.80419
-42	26	2.25577
-41	26	2.65433
-40	26	2.9516
-39	26	3.22278
-38	26	3.44689
-37	26	3.63765
-36	26	3.80309
-35	26	3.93932
-34	26	4.05105
-33	26	4.12952
-32	26	4.156
-31	26	4.16359
-30	26	4.14643
-29	26	4.11015
-28	26	4.05858
-27	26	3.99287
-26	26	3.90951
-25	26	3.81113
-24	26	3.70843
-23	26	3.59939
-22	26	3.49382
-21	26	3.35583
-20	26	3.21873
-19	26	3.10955
-18	26	2.96516
-17	26	2.81609
-16	26	2.67534
-15	26	2.56334
-14	26	2.44497
-13	26	2.70322
-12	26	2.17009
-11	26	2.06422
-10	26	1.9575
-9	26	1.86076
-8	26	1.8029
-7	26	1.69517
-6	26	1.61281
-5	26	1.77445
-4	26	1.39812
-3	26	1.33822
-2	26	1.27092
-1	26	1.21156
0	26	1.14656
1	26	1.09407
2	26	1.03622
3	26	0.96947
4	26	0.913479
5	26	0.844908
6	26	0.778351
7	26	0.77902
8	26	0.722311
9	26	0.67366
10	26	0.580044
11	26	0.549678
12	26	0.535745
13	26	0.522338
14	26	0.520418
15	26	0.522651
16	26	0.558515
17	26	0.61654
18	26	0.687074
19	26	0.75621
20	26	0.826384
21	26	0.920587
22	26	1.05161
23	26	1.09935
24	26	1.18795
25	26	1.28078
26	26	1.38969
27	26	1.49271

28	26	1.6027
29	26	1.74934
30	26	1.88307
31	26	2.01785
32	26	2.14366
33	26	2.25972
34	26	2.36802
35	26	2.46712
36	26	2.52661
37	26	2.59736
38	26	2.65107
39	26	2.66865
40	26	2.66683
41	26	2.63347
42	26	2.5743
43	26	2.48447
44	26	2.35647
45	26	2.16928
46	26	1.93569
47	26	1.63396
48	26	1.34027
49	26	1.20925
50	26	0.804223
51	26	0.307834
52	26	-0.309979
53	26	-1.10102
54	26	-2.11043
55	26	-3.27011
56	26	-4.43565
57	26	-5.59347
58	26	-6.74225
59	26	-7.88171
60	26	-8.61523
61	26	-8.6267
62	26	-7.85396
63	26	-6.65745
64	26	-5.32363
65	26	-4.04275
66	26	-2.8632
67	26	-1.82362
68	26	-0.917934
69	26	-0.145425
70	26	0.551582
71	26	1.08467
72	26	1.55545
73	26	1.94145
74	26	2.22382
75	26	2.42221
76	26	2.50825
77	26	2.54201
78	26	2.50779
79	26	2.3899
80	26	2.17586
81	26	1.85614
82	26	1.44496
83	26	0.920121
84	26	0.278986
85	26	-0.557187
86	26	-1.59168
87	26	-2.86382
88	26	-4.50269
89	26	-6.51513
90	26	-9.40916
91	26	-13.7267
92	26	-20.2601
93	26	-17.8551
94	26	-11.9564
95	26	-8.27494
96	26	-5.75163
97	26	-3.73946
98	26	-2.14632
99	26	-0.93121
100	26	0.0724729
101	26	0.889208
102	26	1.59155
103	26	2.14047
104	26	2.5995
105	26	2.93187
106	26	3.18212
107	26	3.34265
108	26	3.41059
109	26	3.39568
110	26	3.31792
111	26	3.14325
112	26	2.88879
113	26	2.54284
114	26	2.11121
115	26	1.60511
116	26	0.999525
117	26	0.295764
118	26	-0.518837
119	26	-1.45006
120	26	-2.56813
121	26	-3.86876
122	26	-5.29757

123	26	-6.86841
124	26	-8.16149
125	26	-9.03408
126	26	-9.4317
127	26	-8.39101
128	26	-6.82057
129	26	-5.26814
130	26	-3.86291
131	26	-2.62334
132	26	-1.56928
133	26	-0.635859
134	26	0.149053
135	26	0.882792
136	26	1.47267
137	26	1.98319
138	26	2.43598
139	26	2.7892
140	26	3.07432
141	26	3.32404
142	26	3.55224
143	26	3.72711
144	26	3.89654
145	26	4.02463
146	26	4.11643
147	26	4.1757
148	26	4.20139
149	26	4.19954
150	26	4.17378
151	26	4.13796
152	26	4.07658
153	26	3.99823
154	26	3.91095
155	26	3.80617
156	26	3.70162
157	26	3.59345
158	26	3.4724
159	26	3.36162
160	26	3.22984
161	26	3.11805
162	26	2.99042
163	26	2.8593
164	26	2.72668
165	26	2.59972
166	26	2.46285
167	26	2.73571
168	26	2.21688
169	26	2.09564
170	26	1.96916
171	26	1.85616
172	26	1.81073
173	26	1.71852
174	26	1.62811
175	26	1.82371
176	26	1.43987
177	26	1.33315
178	26	1.32186
179	26	1.26636
180	26	1.20262
-180	27	1.32625
-179	27	1.27574
-178	27	1.20913
-177	27	1.15315
-176	27	1.1471
-175	27	1.10574
-174	27	1.06355
-173	27	1.07616
-172	27	1.02267
-171	27	0.9839
-170	27	0.902394
-169	27	0.86709
-168	27	0.835042
-167	27	0.805809
-166	27	0.770605
-165	27	0.741302
-164	27	0.708981
-163	27	0.688263
-162	27	0.659893
-161	27	0.640644
-160	27	0.646982
-159	27	0.667024
-158	27	0.771574
-157	27	0.793538
-156	27	0.835355
-155	27	0.898596
-154	27	0.990964
-153	27	1.11668
-152	27	1.21823
-151	27	1.3362
-150	27	1.44058
-149	27	1.55802
-148	27	1.70173
-147	27	1.8194
-146	27	1.96409
-145	27	2.08908
-144	27	2.21142

-143	27	2.33099
-142	27	2.45478
-141	27	2.53563
-140	27	2.6028
-139	27	2.66762
-138	27	2.69675
-137	27	2.69422
-136	27	2.64008
-135	27	2.52645
-134	27	2.37817
-133	27	2.2452
-132	27	2.03507
-131	27	1.80383
-130	27	1.45067
-129	27	1.07299
-128	27	0.587099
-127	27	-0.00193085
-126	27	-0.667831
-125	27	-1.50093
-124	27	-2.79345
-123	27	-3.83939
-122	27	-4.80662
-121	27	-5.67733
-120	27	-6.44322
-119	27	-7.04455
-118	27	-7.1553
-117	27	-6.66864
-116	27	-5.78468
-115	27	-4.72176
-114	27	-3.62043
-113	27	-2.56577
-112	27	-1.62009
-111	27	-0.755948
-110	27	-0.0401688
-109	27	0.585201
-108	27	1.12744
-107	27	1.58211
-106	27	1.93708
-105	27	2.17868
-104	27	2.3441
-103	27	2.42749
-102	27	2.44665
-101	27	2.37725
-100	27	2.19571
-99	27	1.91725
-98	27	1.52246
-97	27	1.0496
-96	27	0.415723
-95	27	-0.380903
-94	27	-1.38746
-93	27	-2.64027
-92	27	-4.16944
-91	27	-6.16935
-90	27	-8.97012
-89	27	-13.129
-88	27	-20.7581
-87	27	-20.5382
-86	27	-12.8714
-85	27	-8.74839
-84	27	-6.02517
-83	27	-3.92398
-82	27	-2.25163
-81	27	-0.979195
-80	27	0.0640372
-79	27	0.904163
-78	27	1.57949
-77	27	2.13964
-76	27	2.57088
-75	27	2.89533
-74	27	3.12803
-73	27	3.27339
-72	27	3.3142
-71	27	3.28406
-70	27	3.14428
-69	27	2.91625
-68	27	2.59603
-67	27	2.16382
-66	27	1.65185
-65	27	1.03993
-64	27	0.322026
-63	27	-0.500058
-62	27	-1.46988
-61	27	-2.60195
-60	27	-3.92042
-59	27	-5.25854
-58	27	-6.67242
-57	27	-7.90297
-56	27	-8.74032
-55	27	-8.23166
-54	27	-7.06925
-53	27	-5.56545
-52	27	-4.09966
-51	27	-2.81615
-50	27	-1.66178
-49	27	-0.709126

-48	27	0.168146
-47	27	0.896019
-46	27	1.53581
-45	27	2.08984
-44	27	2.58082
-43	27	2.99178
-42	27	3.35066
-41	27	3.63906
-40	27	3.88839
-39	27	4.08628
-38	27	4.24252
-37	27	4.37059
-36	27	4.4672
-35	27	4.54858
-34	27	4.60146
-33	27	4.58598
-32	27	4.54894
-31	27	4.48944
-30	27	4.41657
-29	27	4.32915
-28	27	4.21907
-27	27	4.0929
-26	27	3.95393
-25	27	3.80548
-24	27	3.62644
-23	27	3.52682
-22	27	3.38478
-21	27	3.22962
-20	27	3.0933
-19	27	2.93707
-18	27	2.77064
-17	27	2.59721
-16	27	2.47985
-15	27	2.29652
-14	27	2.23085
-13	27	2.11316
-12	27	1.99823
-11	27	1.88972
-10	27	1.77436
-9	27	1.69677
-8	27	1.68586
-7	27	1.59809
-6	27	1.54258
-5	27	1.40408
-4	27	1.36249
-3	27	1.26203
-2	27	1.29357
-1	27	1.25929
0	27	1.21111
1	27	1.18995
2	27	1.13116
3	27	1.08072
4	27	1.02751
5	27	0.976574
6	27	0.926906
7	27	0.952704
8	27	0.907507
9	27	0.875913
10	27	0.805573
11	27	0.780181
12	27	0.742066
13	27	0.701531
14	27	0.671622
15	27	0.664718
16	27	0.668162
17	27	0.67273
18	27	0.660463
19	27	0.714398
20	27	0.752803
21	27	0.822093
22	27	0.910052
23	27	0.945611
24	27	1.0002
25	27	1.05931
26	27	1.16952
27	27	1.27259
28	27	1.38688
29	27	1.51851
30	27	1.64607
31	27	1.77634
32	27	1.90951
33	27	2.03245
34	27	2.16441
35	27	2.27612
36	27	2.38787
37	27	2.49752
38	27	2.5906
39	27	2.65623
40	27	2.72509
41	27	2.74641
42	27	2.7607
43	27	2.73481
44	27	2.66279
45	27	2.53084
46	27	2.37631

47	27	2.19857
48	27	1.97589
49	27	1.69945
50	27	1.37084
51	27	1.16061
52	27	0.66842
53	27	0.0532959
54	27	-0.649641
55	27	-1.54456
56	27	-2.90444
57	27	-4.11677
58	27	-5.30635
59	27	-6.47857
60	27	-7.51176
61	27	-8.29642
62	27	-8.40745
63	27	-7.76478
64	27	-6.63832
65	27	-5.3238
66	27	-4.0015
67	27	-2.81106
68	27	-1.78508
69	27	-0.884474
70	27	-0.125595
71	27	0.519146
72	27	1.07335
73	27	1.53871
74	27	1.88039
75	27	2.12644
76	27	2.28826
77	27	2.35567
78	27	2.36603
79	27	2.28908
80	27	2.09096
81	27	1.79854
82	27	1.41492
83	27	0.913912
84	27	0.253201
85	27	-0.574633
86	27	-1.62355
87	27	-2.94877
88	27	-4.61233
89	27	-6.74252
90	27	-9.74944
91	27	-14.4904
92	27	-22.5459
93	27	-17.0973
94	27	-11.2062
95	27	-7.67409
96	27	-5.23174
97	27	-3.30438
98	27	-1.75569
99	27	-0.569168
100	27	0.399834
101	27	1.20234
102	27	1.8357
103	27	2.37392
104	27	2.77568
105	27	3.07021
106	27	3.27101
107	27	3.38959
108	27	3.41887
109	27	3.36413
110	27	3.18326
111	27	2.91393
112	27	2.57067
113	27	2.12224
114	27	1.59385
115	27	0.976963
116	27	0.25354
117	27	-0.614938
118	27	-1.6159
119	27	-2.77648
120	27	-4.14575
121	27	-5.53043
122	27	-6.89321
123	27	-8.06083
124	27	-8.84431
125	27	-8.3193
126	27	-6.97038
127	27	-5.36257
128	27	-3.88116
129	27	-2.59165
130	27	-1.47817
131	27	-0.467179
132	27	0.390492
133	27	1.12831
134	27	1.76784
135	27	2.32772
136	27	2.78753
137	27	3.17813
138	27	3.50295
139	27	3.7912
140	27	4.01993
141	27	4.20154

142	27	4.35208
143	27	4.45213
144	27	4.53559
145	27	4.59636
146	27	4.64037
147	27	4.62754
148	27	4.58151
149	27	4.52149
150	27	4.45105
151	27	4.36191
152	27	4.24653
153	27	4.11648
154	27	3.96461
155	27	3.82337
156	27	3.65369
157	27	3.56114
158	27	3.41167
159	27	3.26454
160	27	3.11909
161	27	2.97572
162	27	2.82567
163	27	2.68464
164	27	2.5439
165	27	2.34507
166	27	2.27676
167	27	2.16343
168	27	2.04274
169	27	1.93178
170	27	1.83541
171	27	1.74897
172	27	1.74388
173	27	1.67109
174	27	1.62233
175	27	1.50179
176	27	1.45554
177	27	1.35539
178	27	1.38495
179	27	1.35616
180	27	1.32625
-180	28	1.25689
-179	28	1.22905
-178	28	1.23419
-177	28	1.2401
-176	28	1.22171
-175	28	1.19181
-174	28	1.17226
-173	28	1.20343
-172	28	1.16399
-171	28	1.14369
-170	28	1.09564
-169	28	1.09735
-168	28	1.08565
-167	28	1.0635
-166	28	1.03597
-165	28	0.999462
-164	28	0.95352
-163	28	0.896317
-162	28	0.84457
-161	28	0.804279
-160	28	0.801171
-159	28	0.82224
-158	28	0.836103
-157	28	0.879408
-156	28	0.884708
-155	28	0.915828
-154	28	0.97762
-153	28	1.02799
-152	28	1.10829
-151	28	1.18352
-150	28	1.28094
-149	28	1.41738
-148	28	1.53454
-147	28	1.67534
-146	28	1.81286
-145	28	1.97028
-144	28	2.12418
-143	28	2.27142
-142	28	2.41228
-141	28	2.515
-140	28	2.62364
-139	28	2.71106
-138	28	2.77824
-137	28	2.7949
-136	28	2.76306
-135	28	2.71717
-134	28	2.6877
-133	28	2.57681
-132	28	2.41426
-131	28	2.20182
-130	28	1.96031
-129	28	1.65768
-128	28	1.26698
-127	28	0.77825
-126	28	0.185583
-125	28	-0.473975

-124	28	-1.31101
-123	28	-2.36902
-122	28	-3.58709
-121	28	-4.69784
-120	28	-5.64192
-119	28	-6.47807
-118	28	-7.10943
-117	28	-7.18681
-116	28	-6.66667
-115	28	-5.71322
-114	28	-4.59327
-113	28	-3.44177
-112	28	-2.35989
-111	28	-1.39783
-110	28	-0.556034
-109	28	0.149439
-108	28	0.798216
-107	28	1.30977
-106	28	1.72704
-105	28	2.02664
-104	28	2.23563
-103	28	2.37035
-102	28	2.41871
-101	28	2.40781
-100	28	2.26414
-99	28	2.01581
-98	28	1.64022
-97	28	1.189
-96	28	0.54337
-95	28	-0.248141
-94	28	-1.26457
-93	28	-2.52322
-92	28	-4.12035
-91	28	-6.15954
-90	28	-9.0522
-89	28	-13.6316
-88	28	-23.2921
-87	28	-19.8352
-86	28	-12.1987
-85	28	-8.18179
-84	28	-5.5688
-83	28	-3.53374
-82	28	-1.91766
-81	28	-0.660492
-80	28	0.349734
-79	28	1.17717
-78	28	1.86186
-77	28	2.37652
-76	28	2.76506
-75	28	3.03826
-74	28	3.19375
-73	28	3.28838
-72	28	3.29051
-71	28	3.18435
-70	28	2.97725
-69	28	2.6716
-68	28	2.27055
-67	28	1.76407
-66	28	1.15782
-65	28	0.468379
-64	28	-0.336363
-63	28	-1.31465
-62	28	-2.43451
-61	28	-3.74098
-60	28	-5.26596
-59	28	-6.57925
-58	28	-7.5437
-57	28	-8.0137
-56	28	-7.23219
-55	28	-5.97266
-54	28	-4.49397
-53	28	-3.08616
-52	28	-1.8604
-51	28	-0.763938
-50	28	0.182279
-49	28	0.96409
-48	28	1.6547
-47	28	2.24484
-46	28	2.76293
-45	28	3.2212
-44	28	3.60478
-43	28	3.93264
-42	28	4.16966
-41	28	4.35775
-40	28	4.51545
-39	28	4.65026
-38	28	4.7523
-37	28	4.81799
-36	28	4.85108
-35	28	4.85106
-34	28	4.76561
-33	28	4.75925
-32	28	4.64506
-31	28	4.52602
-30	28	4.39358

-29	28	4.25465
-28	28	4.10648
-27	28	3.92101
-26	28	3.71396
-25	28	3.52114
-24	28	3.32375
-23	28	3.17605
-22	28	3.00828
-21	28	2.83279
-20	28	2.66039
-19	28	2.50217
-18	28	2.29304
-17	28	2.13779
-16	28	2.03087
-15	28	1.90153
-14	28	1.76181
-13	28	1.65488
-12	28	1.53991
-11	28	1.46775
-10	28	1.3965
-9	28	1.34066
-8	28	1.37273
-7	28	1.28433
-6	28	1.25301
-5	28	1.18377
-4	28	1.16679
-3	28	1.16657
-2	28	1.14654
-1	28	1.12523
0	28	1.13873
1	28	1.11883
2	28	1.10402
3	28	1.09039
4	28	1.06615
5	28	1.04069
6	28	1.02731
7	28	1.05959
8	28	1.02817
9	28	1.01198
10	28	0.957083
11	28	0.964733
12	28	0.935485
13	28	0.919723
14	28	0.906854
15	28	0.888735
16	28	0.868634
17	28	0.815404
18	28	0.779202
19	28	0.78578
20	28	0.769767
21	28	0.793605
22	28	0.863219
23	28	0.910715
24	28	0.947471
25	28	1.0081
26	28	1.09378
27	28	1.16545
28	28	1.25451
29	28	1.34605
30	28	1.47012
31	28	1.59234
32	28	1.72211
33	28	1.8484
34	28	1.98517
35	28	2.13219
36	28	2.28231
37	28	2.419
38	28	2.55756
39	28	2.67307
40	28	2.76217
41	28	2.83448
42	28	2.88377
43	28	2.89416
44	28	2.85343
45	28	2.80109
46	28	2.73248
47	28	2.60746
48	28	2.42424
49	28	2.20428
50	28	1.93177
51	28	1.56846
52	28	1.14104
53	28	0.825199
54	28	0.270188
55	28	-0.415766
56	28	-1.30607
57	28	-2.44572
58	28	-3.82869
59	28	-5.13067
60	28	-6.26261
61	28	-7.31237
62	28	-8.14757
63	28	-8.24906
64	28	-7.57551
65	28	-6.41475

66	28	-5.08544
67	28	-3.76038
68	28	-2.6204
69	28	-1.58254
70	28	-0.719815
71	28	0.0390839
72	28	0.65166
73	28	1.19206
74	28	1.62614
75	28	1.91506
76	28	2.10993
77	28	2.24125
78	28	2.26122
79	28	2.23906
80	28	2.08301
81	28	1.8055
82	28	1.39777
83	28	0.916516
84	28	0.264571
85	28	-0.576053
86	28	-1.65192
87	28	-2.98615
88	28	-4.68169
89	28	-6.9151
90	28	-10.092
91	28	-15.3316
92	28	-26.0176
93	28	-16.5082
94	28	-10.547
95	28	-7.09797
96	28	-4.7472
97	28	-2.8805
98	28	-1.36501
99	28	-0.2002
100	28	0.759045
101	28	1.49869
102	28	2.12377
103	28	2.60068
104	28	2.96553
105	28	3.22165
106	28	3.37122
107	28	3.42056
108	28	3.39574
109	28	3.25317
110	28	3.01047
111	28	2.69031
112	28	2.27615
113	28	1.73054
114	28	1.10163
115	28	0.384701
116	28	-0.457161
117	28	-1.49408
118	28	-2.7292
119	28	-4.053
120	28	-5.5208
121	28	-6.80109
122	28	-7.66929
123	28	-8.08935
124	28	-7.22495
125	28	-5.86675
126	28	-4.33369
127	28	-2.91153
128	28	-1.65774
129	28	-0.587929
130	28	0.356151
131	28	1.16925
132	28	1.83698
133	28	2.41923
134	28	2.94349
135	28	3.40179
136	28	3.77029
137	28	4.07917
138	28	4.31412
139	28	4.49428
140	28	4.63967
141	28	4.74046
142	28	4.86682
143	28	4.91497
144	28	4.93282
145	28	4.92813
146	28	4.89077
147	28	4.81421
148	28	4.70287
149	28	4.56782
150	28	4.43667
151	28	4.28823
152	28	4.13465
153	28	3.94395
154	28	3.73952
155	28	3.53898
156	28	3.35195
157	28	3.19467
158	28	3.04903
159	28	2.88374
160	28	2.70207

161	28	2.52575
162	28	2.36807
163	28	2.21315
164	28	2.06877
165	28	1.92983
166	28	1.82541
167	28	1.71545
168	28	1.61429
169	28	1.53155
170	28	1.46449
171	28	1.40481
172	28	1.4575
173	28	1.3834
174	28	1.36623
175	28	1.29357
176	28	1.28367
177	28	1.27552
178	28	1.25811
179	28	1.25927
180	28	1.25689
-180	29	0.983776
-179	29	0.988794
-178	29	1.01865
-177	29	1.04874
-176	29	1.07095
-175	29	1.09537
-174	29	1.10933
-173	29	1.1643
-172	29	1.16609
-171	29	1.17661
-170	29	1.15466
-169	29	1.15458
-168	29	1.15455
-167	29	1.14682
-166	29	1.13604
-165	29	1.11702
-164	29	1.08188
-163	29	1.04
-162	29	0.998759
-161	29	0.947136
-160	29	0.889285
-159	29	0.845606
-158	29	0.828043
-157	29	0.828533
-156	29	0.806931
-155	29	0.823511
-154	29	0.859213
-153	29	0.875833
-152	29	0.956037
-151	29	1.04079
-150	29	1.15099
-149	29	1.24937
-148	29	1.37319
-147	29	1.53349
-146	29	1.68882
-145	29	1.84913
-144	29	2.00622
-143	29	2.16219
-142	29	2.31454
-141	29	2.4236
-140	29	2.57912
-139	29	2.71259
-138	29	2.80031
-137	29	2.82953
-136	29	2.90594
-135	29	2.90732
-134	29	2.90611
-133	29	2.84198
-132	29	2.74
-131	29	2.60067
-130	29	2.41885
-129	29	2.17123
-128	29	1.853
-127	29	1.4476
-126	29	0.960894
-125	29	0.384347
-124	29	-0.282861
-123	29	-1.07454
-122	29	-2.07373
-121	29	-3.5382
-120	29	-4.56198
-119	29	-5.70138
-118	29	-6.66783
-117	29	-7.2095
-116	29	-7.26215
-115	29	-6.65428
-114	29	-5.66677
-113	29	-4.42687
-112	29	-3.19849
-111	29	-2.11537
-110	29	-1.1551
-109	29	-0.330893
-108	29	0.379216
-107	29	0.978269
-106	29	1.48307

-105	29	1.86454
-104	29	2.09099
-103	29	2.25592
-102	29	2.37037
-101	29	2.38609
-100	29	2.29794
-99	29	2.073
-98	29	1.74335
-97	29	1.30767
-96	29	0.709387
-95	29	-0.0787864
-94	29	-1.09096
-93	29	-2.3383
-92	29	-3.95188
-91	29	-6.02498
-90	29	-9.01196
-89	29	-13.8476
-88	29	-26.1283
-87	29	-18.8183
-86	29	-11.4535
-85	29	-7.62428
-84	29	-5.11338
-83	29	-3.13135
-82	29	-1.55686
-81	29	-0.340196
-80	29	0.65051
-79	29	1.44348
-78	29	2.0879
-77	29	2.5843
-76	29	2.95089
-75	29	3.19274
-74	29	3.30401
-73	29	3.32985
-72	29	3.24993
-71	29	3.07142
-70	29	2.79001
-69	29	2.43309
-68	29	1.98474
-67	29	1.39527
-66	29	0.735592
-65	29	-0.07558
-64	29	-1.00482
-63	29	-2.14077
-62	29	-3.42824
-61	29	-4.73514
-60	29	-5.98949
-59	29	-6.95866
-58	29	-7.09031
-57	29	-6.3822
-56	29	-5.09939
-55	29	-3.69211
-54	29	-2.38541
-53	29	-1.24994
-52	29	-0.183393
-51	29	0.745793
-50	29	1.54587
-49	29	2.19177
-48	29	2.77033
-47	29	3.24954
-46	29	3.64882
-45	29	3.99518
-44	29	4.30193
-43	29	4.53874
-42	29	4.71322
-41	29	4.8268
-40	29	4.89065
-39	29	4.94695
-38	29	4.98592
-37	29	4.98592
-36	29	4.94868
-35	29	4.88138
-34	29	4.78522
-33	29	4.6471
-32	29	4.49083
-31	29	4.30754
-30	29	4.0929
-29	29	3.86775
-28	29	3.63825
-27	29	3.40537
-26	29	3.15765
-25	29	2.91425
-24	29	2.68369
-23	29	2.47512
-22	29	2.28529
-21	29	2.07433
-20	29	1.87588
-19	29	1.65133
-18	29	1.51179
-17	29	1.39875
-16	29	1.27231
-15	29	1.1434
-14	29	1.02503
-13	29	0.94464
-12	29	0.874173
-11	29	0.831915

-10	29	0.786467
-9	29	0.796394
-8	29	0.838977
-7	29	0.813607
-6	29	0.817752
-5	29	0.815022
-4	29	0.828747
-3	29	0.854164
-2	29	0.88429
-1	29	0.914387
0	29	0.922486
1	29	0.913107
2	29	0.947273
3	29	0.972247
4	29	0.978811
5	29	0.989853
6	29	0.989777
7	29	1.02754
8	29	1.00741
9	29	1.02251
10	29	1.01937
11	29	1.02864
12	29	1.03626
13	29	1.04632
14	29	1.0515
15	29	1.03198
16	29	0.99034
17	29	0.94839
18	29	0.911449
19	29	0.859034
20	29	0.824852
21	29	0.795254
22	29	0.854825
23	29	0.807993
24	29	0.837166
25	29	0.887976
26	29	0.94429
27	29	0.988742
28	29	1.07256
29	29	1.16319
30	29	1.26941
31	29	1.38217
32	29	1.50345
33	29	1.65158
34	29	1.81142
35	29	1.98164
36	29	2.14873
37	29	2.31416
38	29	2.47047
39	29	2.6022
40	29	2.72697
41	29	2.8507
42	29	2.91609
43	29	2.94794
44	29	2.98049
45	29	2.98912
46	29	2.96136
47	29	2.89116
48	29	2.76919
49	29	2.61274
50	29	2.41281
51	29	2.14564
52	29	1.79774
53	29	1.37415
54	29	1.00917
55	29	0.421989
56	29	-0.26355
57	29	-1.09625
58	29	-2.19315
59	29	-3.83013
60	29	-4.99842
61	29	-6.31031
62	29	-7.50427
63	29	-8.13232
64	29	-8.22197
65	29	-7.43442
66	29	-6.24863
67	29	-4.88833
68	29	-3.57112
69	29	-2.42238
70	29	-1.42194
71	29	-0.553498
72	29	0.190415
73	29	0.806189
74	29	1.32746
75	29	1.70942
76	29	1.94712
77	29	2.09837
78	29	2.1994
79	29	2.1985
80	29	2.0891
81	29	1.81649
82	29	1.45238
83	29	0.982087
84	29	0.339364

85	29	-0.502335
86	29	-1.57639
87	29	-2.92464
88	29	-4.66343
89	29	-6.95654
90	29	-10.3775
91	29	-16.3719
92	29	-34.6162
93	29	-15.8338
94	29	-10.0029
95	29	-6.63261
96	29	-4.33119
97	29	-2.52637
98	29	-1.03354
99	29	0.127889
100	29	1.04854
101	29	1.78685
102	29	2.38375
103	29	2.82929
104	29	3.15579
105	29	3.35853
106	29	3.45032
107	29	3.4311
108	29	3.32658
109	29	3.13046
110	29	2.83563
111	29	2.4381
112	29	1.92992
113	29	1.32618
114	29	0.613691
115	29	-0.195086
116	29	-1.19246
117	29	-2.37562
118	29	-3.69587
119	29	-5.09785
120	29	-6.35653
121	29	-7.33656
122	29	-7.29907
123	29	-6.35119
124	29	-4.96189
125	29	-3.54543
126	29	-2.16976
127	29	-0.95951
128	29	0.0778534
129	29	0.961337
130	29	1.72533
131	29	2.38943
132	29	2.94689
133	29	3.42996
134	29	3.84665
135	29	4.19025
136	29	4.46565
137	29	4.69244
138	29	4.86404
139	29	4.97318
140	29	5.03463
141	29	5.07315
142	29	5.09659
143	29	5.09226
144	29	5.02567
145	29	4.96132
146	29	4.8526
147	29	4.71098
148	29	4.54198
149	29	4.3366
150	29	4.11445
151	29	3.87643
152	29	3.65962
153	29	3.41145
154	29	3.15759
155	29	2.91207
156	29	2.67432
157	29	2.47106
158	29	2.27617
159	29	2.0781
160	29	1.8793
161	29	1.67423
162	29	1.54362
163	29	1.38419
164	29	1.213
165	29	1.13793
166	29	1.04006
167	29	0.937885
168	29	0.890173
169	29	0.848092
170	29	0.829532
171	29	0.806572
172	29	0.859317
173	29	0.852486
174	29	0.862519
175	29	0.849881
176	29	0.883226
177	29	0.913054
178	29	0.930066
179	29	0.940268

180	29	0.983776
-180	30	0.825271
-179	30	0.813785
-178	30	0.88637
-177	30	0.913705
-176	30	0.951897
-175	30	0.984489
-174	30	1.00996
-173	30	1.05645
-172	30	1.08922
-171	30	1.11241
-170	30	1.1347
-169	30	1.13052
-168	30	1.12654
-167	30	1.12269
-166	30	1.11415
-165	30	1.09355
-164	30	1.07242
-163	30	1.05838
-162	30	0.997499
-161	30	0.932459
-160	30	0.839616
-159	30	0.758705
-158	30	0.681463
-157	30	0.578539
-156	30	0.576609
-155	30	0.593638
-154	30	0.608558
-153	30	0.62838
-152	30	0.740002
-151	30	0.802901
-150	30	0.882622
-149	30	0.97704
-148	30	1.12289
-147	30	1.28146
-146	30	1.44441
-145	30	1.61563
-144	30	1.79028
-143	30	1.96198
-142	30	2.11843
-141	30	2.28191
-140	30	2.46958
-139	30	2.635
-138	30	2.78269
-137	30	2.85534
-136	30	2.96337
-135	30	3.03564
-134	30	3.07503
-133	30	3.08507
-132	30	3.05508
-131	30	2.96177
-130	30	2.83909
-129	30	2.66597
-128	30	2.41027
-127	30	2.08589
-126	30	1.66725
-125	30	1.17279
-124	30	0.592384
-123	30	-0.0885116
-122	30	-0.887151
-121	30	-1.95596
-120	30	-4.41245
-119	30	-5.38154
-118	30	-6.5296
-117	30	-7.34059
-116	30	-7.71475
-115	30	-7.62926
-114	30	-6.82272
-113	30	-5.66499
-112	30	-4.30159
-111	30	-3.06602
-110	30	-1.94936
-109	30	-0.969111
-108	30	-0.126999
-107	30	0.576997
-106	30	1.15623
-105	30	1.627
-104	30	1.95458
-103	30	2.13258
-102	30	2.28366
-101	30	2.36067
-100	30	2.30947
-99	30	2.12731
-98	30	1.81545
-97	30	1.41812
-96	30	0.835571
-95	30	0.0561628
-94	30	-0.920278
-93	30	-2.17395
-92	30	-3.77582
-91	30	-5.84624
-90	30	-8.85373
-89	30	-13.7966
-88	30	-27.3069
-87	30	-18.4906

-86	30	-10.9807
-85	30	-7.1299
-84	30	-4.64551
-83	30	-2.71153
-82	30	-1.16656
-81	30	0.00876166
-80	30	0.948063
-79	30	1.71095
-78	30	2.3095
-77	30	2.75677
-76	30	3.08442
-75	30	3.28984
-74	30	3.37309
-73	30	3.3558
-72	30	3.2393
-71	30	3.00435
-70	30	2.66335
-69	30	2.26543
-68	30	1.76837
-67	30	1.12395
-66	30	0.367298
-65	30	-0.537451
-64	30	-1.62295
-63	30	-2.80178
-62	30	-4.13498
-61	30	-5.3462
-60	30	-6.17791
-59	30	-6.31522
-58	30	-5.62068
-57	30	-4.48484
-56	30	-3.19427
-55	30	-1.91579
-54	30	-0.786949
-53	30	0.186996
-52	30	1.07533
-51	30	1.85225
-50	30	2.51699
-49	30	3.05558
-48	30	3.53327
-47	30	3.92581
-46	30	4.24981
-45	30	4.52041
-44	30	4.72569
-43	30	4.87258
-42	30	4.99402
-41	30	5.04934
-40	30	5.04756
-39	30	5.00317
-38	30	4.93276
-37	30	4.85688
-36	30	4.77019
-35	30	4.6421
-34	30	4.44093
-33	30	4.20066
-32	30	3.97175
-31	30	3.731
-30	30	3.44942
-29	30	3.14574
-28	30	2.84357
-27	30	2.52844
-26	30	2.20099
-25	30	1.91989
-24	30	1.66348
-23	30	1.42456
-22	30	1.15371
-21	30	0.946208
-20	30	0.740296
-19	30	0.511603
-18	30	0.410281
-17	30	0.335357
-16	30	0.256743
-15	30	0.139768
-14	30	0.0961783
-13	30	0.0835032
-12	30	0.0976188
-11	30	0.113874
-10	30	0.149909
-9	30	0.181565
-8	30	0.279203
-7	30	0.331668
-6	30	0.42505
-5	30	0.469143
-4	30	0.545029
-3	30	0.599463
-2	30	0.649994
-1	30	0.687073
0	30	0.727018
1	30	0.760706
2	30	0.796234
3	30	0.818613
4	30	0.85602
5	30	0.882429
6	30	0.895396
7	30	0.930943
8	30	0.962114

9	30	0.998652
10	30	1.03344
11	30	1.03221
12	30	1.02796
13	30	1.03177
14	30	1.02505
15	30	1.01126
16	30	0.98194
17	30	0.953398
18	30	0.911535
19	30	0.85626
20	30	0.77915
21	30	0.716274
22	30	0.654817
23	30	0.59701
24	30	0.633539
25	30	0.633062
26	30	0.652063
27	30	0.70051
28	30	0.818175
29	30	0.901206
30	30	1.00277
31	30	1.10969
32	30	1.24801
33	30	1.404
34	30	1.57394
35	30	1.74902
36	30	1.92994
37	30	2.10787
38	30	2.27101
39	30	2.43671
40	30	2.62123
41	30	2.7756
42	30	2.86725
43	30	2.95282
44	30	3.03805
45	30	3.10496
46	30	3.14714
47	30	3.13856
48	30	3.08004
49	30	2.97961
50	30	2.84308
51	30	2.63938
52	30	2.38451
53	30	2.00707
54	30	1.56695
55	30	1.05027
56	30	0.618266
57	30	-0.0816456
58	30	-0.904371
59	30	-2.04648
60	30	-4.6593
61	30	-5.88149
62	30	-7.07327
63	30	-7.99368
64	30	-8.51014
65	30	-8.37563
66	30	-7.48698
67	30	-6.14658
68	30	-4.6862
69	30	-3.38364
70	30	-2.20907
71	30	-1.20286
72	30	-0.377877
73	30	0.347763
74	30	0.944223
75	30	1.42568
76	30	1.75077
77	30	1.91453
78	30	2.08228
79	30	2.14588
80	30	2.06956
81	30	1.86173
82	30	1.50141
83	30	1.06261
84	30	0.426802
85	30	-0.395096
86	30	-1.46814
87	30	-2.81769
88	30	-4.61572
89	30	-6.96787
90	30	-10.5207
91	30	-16.9818
92	30	-30.2489
93	30	-14.7611
94	30	-9.33505
95	30	-6.1251
96	30	-3.90665
97	30	-2.12198
98	30	-0.696303
99	30	0.422368
100	30	1.326
101	30	2.04106
102	30	2.59775
103	30	3.00471

104	30	3.28468
105	30	3.44491
106	30	3.4923
107	30	3.43699
108	30	3.27363
109	30	3.02041
110	30	2.67804
111	30	2.24522
112	30	1.70483
113	30	1.03744
114	30	0.192923
115	30	-0.74565
116	30	-1.8808
117	30	-3.13737
118	30	-4.46972
119	30	-5.63824
120	30	-6.54506
121	30	-6.57191
122	30	-5.68152
123	30	-4.38624
124	30	-3.00148
125	30	-1.70209
126	30	-0.526816
127	30	0.472474
128	30	1.33962
129	30	2.09864
130	30	2.73139
131	30	3.27653
132	30	3.73278
133	30	4.10523
134	30	4.43574
135	30	4.69783
136	30	4.89795
137	30	5.04147
138	30	5.1386
139	30	5.18515
140	30	5.177
141	30	5.11701
142	30	5.03379
143	30	4.94948
144	30	4.84674
145	30	4.69661
146	30	4.50671
147	30	4.27638
148	30	4.02658
149	30	3.75859
150	30	3.46745
151	30	3.17423
152	30	2.84125
153	30	2.5135
154	30	2.19337
155	30	1.89566
156	30	1.61828
157	30	1.36557
158	30	1.13866
159	30	0.908399
160	30	0.717317
161	30	0.514884
162	30	0.372134
163	30	0.260035
164	30	0.183917
165	30	0.133827
166	30	0.0634091
167	30	0.0860266
168	30	0.0753598
169	30	0.0983874
170	30	0.141119
171	30	0.202898
172	30	0.268502
173	30	0.338265
174	30	0.415635
175	30	0.491726
176	30	0.553354
177	30	0.608146
178	30	0.678259
179	30	0.771501
180	30	0.825271
-180	31	1.00308
-179	31	1.0483
-178	31	1.0838
-177	31	1.12584
-176	31	1.1575
-175	31	1.20435
-174	31	1.20124
-173	31	1.19849
-172	31	1.21814
-171	31	1.22323
-170	31	1.25392
-169	31	1.24167
-168	31	1.2237
-167	31	1.18081
-166	31	1.13851
-165	31	1.07373
-164	31	1.00767
-163	31	0.935299

-162	31	0.847681
-161	31	0.757313
-160	31	0.674466
-159	31	0.597972
-158	31	0.439875
-157	31	0.408409
-156	31	0.338196
-155	31	0.29312
-154	31	0.252918
-153	31	0.249633
-152	31	0.347491
-151	31	0.326725
-150	31	0.414583
-149	31	0.520505
-148	31	0.679933
-147	31	0.838998
-146	31	1.01549
-145	31	1.20691
-144	31	1.40154
-143	31	1.60145
-142	31	1.79253
-141	31	2.01428
-140	31	2.25799
-139	31	2.41109
-138	31	2.58957
-137	31	2.78203
-136	31	2.94051
-135	31	3.07285
-134	31	3.1766
-133	31	3.23884
-132	31	3.26142
-131	31	3.23928
-130	31	3.19203
-129	31	3.08302
-128	31	2.8903
-127	31	2.62924
-126	31	2.2961
-125	31	1.89673
-124	31	1.39923
-123	31	0.814618
-122	31	0.137818
-121	31	-0.689362
-120	31	-1.77685
-119	31	-3.06777
-118	31	-5.78933
-117	31	-6.77892
-116	31	-7.7827
-115	31	-8.27051
-114	31	-8.0742
-113	31	-7.06985
-112	31	-5.6716
-111	31	-4.20046
-110	31	-2.83949
-109	31	-1.73861
-108	31	-0.752441
-107	31	0.0848673
-106	31	0.76731
-105	31	1.34161
-104	31	1.77686
-103	31	2.03499
-102	31	2.19011
-101	31	2.32902
-100	31	2.31804
-99	31	2.18568
-98	31	1.90467
-97	31	1.53835
-96	31	0.980031
-95	31	0.223935
-94	31	-0.744544
-93	31	-1.95997
-92	31	-3.54688
-91	31	-5.6311
-90	31	-8.63554
-89	31	-13.5492
-88	31	-25.3741
-87	31	-17.6571
-86	31	-10.6261
-85	31	-6.83464
-84	31	-4.30121
-83	31	-2.38551
-82	31	-0.870965
-81	31	0.307145
-80	31	1.2366
-79	31	1.95714
-78	31	2.51824
-77	31	2.93507
-76	31	3.21607
-75	31	3.38413
-74	31	3.44621
-73	31	3.34228
-72	31	3.24214
-71	31	3.01322
-70	31	2.65598
-69	31	2.20059
-68	31	1.61099

-67	31	0.863362
-66	31	0.00379089
-65	31	-0.984301
-64	31	-2.10981
-63	31	-3.25229
-62	31	-4.36523
-61	31	-5.31825
-60	31	-5.53756
-59	31	-5.07593
-58	31	-4.11878
-57	31	-2.94943
-56	31	-1.73866
-55	31	-0.63895
-54	31	0.346004
-53	31	1.21202
-52	31	1.96828
-51	31	2.62118
-50	31	3.18425
-49	31	3.63626
-48	31	4.04343
-47	31	4.35563
-46	31	4.59897
-45	31	4.80071
-44	31	4.92645
-43	31	4.98779
-42	31	5.00916
-41	31	4.9768
-40	31	4.90464
-39	31	4.79324
-38	31	4.62977
-37	31	4.45462
-36	31	4.26175
-35	31	4.06078
-34	31	3.77724
-33	31	3.45716
-32	31	3.12172
-31	31	2.80908
-30	31	2.44159
-29	31	2.01919
-28	31	1.66225
-27	31	1.28391
-26	31	0.922732
-25	31	0.618176
-24	31	0.301855
-23	31	0.308924
-22	31	-0.178312
-21	31	-0.395079
-20	31	-0.572988
-19	31	-0.687641
-18	31	-0.703909
-17	31	-0.664962
-16	31	-0.652688
-15	31	-0.582113
-14	31	-0.51832
-13	31	-0.409431
-12	31	-0.289152
-11	31	-0.18249
-10	31	-0.0752821
-9	31	0.0456569
-8	31	0.154112
-7	31	0.294764
-6	31	0.365268
-5	31	0.505233
-4	31	0.63293
-3	31	0.689961
-2	31	0.751728
-1	31	0.829509
0	31	0.892881
1	31	0.941033
2	31	0.975908
3	31	1.03327
4	31	1.05442
5	31	1.10055
6	31	1.07833
7	31	1.06716
8	31	1.09573
9	31	1.11377
10	31	1.1394
11	31	1.11799
12	31	1.09607
13	31	1.07176
14	31	1.03369
15	31	0.975558
16	31	0.92971
17	31	0.872981
18	31	0.798892
19	31	0.72595
20	31	0.643164
21	31	0.562294
22	31	0.393536
23	31	0.413306
24	31	0.315607
25	31	0.312567
26	31	0.315555
27	31	0.315288

28	31	0.422454
29	31	0.451729
30	31	0.539535
31	31	0.66493
32	31	0.821559
33	31	0.992533
34	31	1.17543
35	31	1.36728
36	31	1.56942
37	31	1.77554
38	31	1.97727
39	31	2.19698
40	31	2.41387
41	31	2.5927
42	31	2.76159
43	31	2.92705
44	31	3.07808
45	31	3.1964
46	31	3.27406
47	31	3.32601
48	31	3.34734
49	31	3.28029
50	31	3.20793
51	31	3.08777
52	31	2.87933
53	31	2.58774
54	31	2.21803
55	31	1.77719
56	31	1.27013
57	31	0.784951
58	31	0.0749852
59	31	-0.809744
60	31	-1.92393
61	31	-3.22181
62	31	-6.12012
63	31	-7.17031
64	31	-8.24021
65	31	-8.74642
66	31	-8.52788
67	31	-7.41055
68	31	-5.94707
69	31	-4.50777
70	31	-3.14715
71	31	-2.00139
72	31	-0.971753
73	31	-0.117968
74	31	0.57075
75	31	1.13099
76	31	1.56626
77	31	1.82073
78	31	1.9694
79	31	2.11059
80	31	2.07772
81	31	1.90563
82	31	1.59812
83	31	1.17794
84	31	0.589692
85	31	-0.214685
86	31	-1.25919
87	31	-2.57966
88	31	-4.33481
89	31	-6.65976
90	31	-10.1732
91	31	-16.0247
92	31	-23.382
93	31	-14.137
94	31	-8.97166
95	31	-5.7779
96	31	-3.5666
97	31	-1.80255
98	31	-0.397857
99	31	0.698801
100	31	1.56403
101	31	2.24537
102	31	2.76751
103	31	3.13843
104	31	3.38559
105	31	3.50828
106	31	3.52339
107	31	3.43902
108	31	3.27364
109	31	2.97498
110	31	2.58093
111	31	2.08823
112	31	1.47541
113	31	0.689512
114	31	-0.23428
115	31	-1.26156
116	31	-2.41598
117	31	-3.62539
118	31	-4.71604
119	31	-5.60058
120	31	-5.76553
121	31	-5.12805
122	31	-3.98422

123	31	-2.71758
124	31	-1.49372
125	31	-0.367711
126	31	0.617176
127	31	1.50317
128	31	2.26165
129	31	2.8902
130	31	3.42678
131	31	3.86766
132	31	4.23217
133	31	4.53616
134	31	4.76999
135	31	4.94477
136	31	5.07173
137	31	5.14099
138	31	5.15007
139	31	5.11832
140	31	5.0369
141	31	4.91081
142	31	4.732
143	31	4.52679
144	31	4.32039
145	31	4.0969
146	31	3.8158
147	31	3.48345
148	31	3.14661
149	31	2.76319
150	31	2.41289
151	31	2.01335
152	31	1.57832
153	31	1.21207
154	31	0.817963
155	31	0.486155
156	31	0.184609
157	31	0.171267
158	31	-0.324441
159	31	-0.518393
160	31	-0.658276
161	31	-0.758805
162	31	-0.812309
163	31	-0.789158
164	31	-0.744003
165	31	-0.791868
166	31	-0.575575
167	31	-0.453557
168	31	-0.299072
169	31	-0.211975
170	31	-0.0843839
171	31	0.0448474
172	31	0.137517
173	31	0.268283
174	31	0.395435
175	31	0.546983
176	31	0.634052
177	31	0.747024
178	31	0.853547
179	31	0.905621
180	31	1.00308
-180	32	1.7072
-179	32	1.74257
-178	32	1.7713
-177	32	1.79017
-176	32	1.79381
-175	32	1.79838
-174	32	1.78227
-173	32	1.72307
-172	32	1.70453
-171	32	1.67046
-170	32	1.67761
-169	32	1.63204
-168	32	1.58133
-167	32	1.51204
-166	32	1.41231
-165	32	1.28438
-164	32	1.14481
-163	32	1.0005
-162	32	0.862231
-161	32	0.754192
-160	32	0.664957
-159	32	0.592997
-158	32	0.421748
-157	32	0.341703
-156	32	0.158946
-155	32	0.0638634
-154	32	-0.060684
-153	32	-0.126691
-152	32	-0.179849
-151	32	-0.242258
-150	32	-0.205223
-149	32	-0.0968171
-148	32	0.0379528
-147	32	0.19766
-146	32	0.38941
-145	32	0.589974
-144	32	0.832873

-143	32	1.05729
-142	32	1.32837
-141	32	1.58624
-140	32	1.83986
-139	32	2.05989
-138	32	2.33421
-137	32	2.58338
-136	32	2.81351
-135	32	3.0034
-134	32	3.17768
-133	32	3.30721
-132	32	3.39957
-131	32	3.44721
-130	32	3.43197
-129	32	3.38038
-128	32	3.28737
-127	32	3.10681
-126	32	2.85706
-125	32	2.52899
-124	32	2.1254
-123	32	1.6304
-122	32	1.04127
-121	32	0.343162
-120	32	-0.531531
-119	32	-1.60586
-118	32	-2.87762
-117	32	-5.83245
-116	32	-7.62863
-115	32	-8.67847
-114	32	-9.08778
-113	32	-8.61398
-112	32	-7.24598
-111	32	-5.64784
-110	32	-4.03634
-109	32	-2.64581
-108	32	-1.46906
-107	32	-0.467128
-106	32	0.361502
-105	32	1.02219
-104	32	1.56624
-103	32	1.93
-102	32	2.12645
-101	32	2.29491
-100	32	2.36921
-99	32	2.26063
-98	32	2.01518
-97	32	1.67003
-96	32	1.16169
-95	32	0.451627
-94	32	-0.499939
-93	32	-1.70117
-92	32	-3.269
-91	32	-5.32076
-90	32	-8.22471
-89	32	-12.7933
-88	32	-21.0296
-87	32	-16.906
-86	32	-10.3588
-85	32	-6.63464
-84	32	-4.12237
-83	32	-2.14995
-82	32	-0.643025
-81	32	0.526447
-80	32	1.42775
-79	32	2.14599
-78	32	2.67395
-77	32	3.07494
-76	32	3.34376
-75	32	3.45485
-74	32	3.52951
-73	32	3.43929
-72	32	3.29046
-71	32	3.01774
-70	32	2.62244
-69	32	2.0967
-68	32	1.44342
-67	32	0.562033
-66	32	-0.397919
-65	32	-1.50193
-64	32	-2.6054
-63	32	-3.76247
-62	32	-4.7828
-61	32	-5.27953
-60	32	-5.01513
-59	32	-4.12235
-58	32	-2.95161
-57	32	-1.7368
-56	32	-0.588066
-55	32	0.435138
-54	32	1.3216
-53	32	2.07398
-52	32	2.69206
-51	32	3.22889
-50	32	3.69495
-49	32	4.0607

-48	32	4.37695
-47	32	4.59251
-46	32	4.72986
-45	32	4.80316
-44	32	4.83749
-43	32	4.84304
-42	32	4.80214
-41	32	4.69192
-40	32	4.54359
-39	32	4.32602
-38	32	4.06916
-37	32	3.77601
-36	32	3.47752
-35	32	3.17037
-34	32	2.80492
-33	32	2.38892
-32	32	1.94342
-31	32	1.50493
-30	32	1.05786
-29	32	0.608618
-28	32	0.174876
-27	32	-0.217441
-26	32	-0.591429
-25	32	-0.834692
-24	32	-1.06942
-23	32	-1.2189
-22	32	-1.31553
-21	32	-1.3786
-20	32	-1.3668
-19	32	-1.24887
-18	32	-1.08401
-17	32	-0.867218
-16	32	-0.669532
-15	32	-0.470954
-14	32	-0.265873
-13	32	-0.0609464
-12	32	0.133984
-11	32	0.323432
-10	32	0.513248
-9	32	0.682612
-8	32	0.79374
-7	32	0.922173
-6	32	1.04117
-5	32	1.19843
-4	32	1.32697
-3	32	1.3746
-2	32	1.48224
-1	32	1.51586
0	32	1.58028
1	32	1.5875
2	32	1.61485
3	32	1.64318
4	32	1.64781
5	32	1.64567
6	32	1.63423
7	32	1.58523
8	32	1.57068
9	32	1.53759
10	32	1.5321
11	32	1.47544
12	32	1.42081
13	32	1.36709
14	32	1.27802
15	32	1.16164
16	32	1.04777
17	32	0.911667
18	32	0.763275
19	32	0.632401
20	32	0.542126
21	32	0.47415
22	32	0.316208
23	32	0.254011
24	32	0.0972394
25	32	0.0603578
26	32	-0.046133
27	32	-0.105321
28	32	-0.0872449
29	32	-0.166617
30	32	-0.0941597
31	32	0.0240582
32	32	0.18321
33	32	0.36688
34	32	0.572395
35	32	0.801569
36	32	1.0384
37	32	1.28473
38	32	1.54612
39	32	1.81252
40	32	2.06677
41	32	2.30029
42	32	2.55334
43	32	2.77333
44	32	2.98082
45	32	3.15559
46	32	3.30856

47	32	3.40988
48	32	3.48994
49	32	3.52267
50	32	3.50286
51	32	3.42692
52	32	3.31168
53	32	3.10773
54	32	2.82652
55	32	2.46859
56	32	2.03676
57	32	1.52454
58	32	0.899196
59	32	0.316802
60	32	-0.623037
61	32	-1.66597
62	32	-2.96149
63	32	-6.08335
64	32	-8.04594
65	32	-9.16846
66	32	-9.68721
67	32	-9.18058
68	32	-7.60029
69	32	-5.87322
70	32	-4.2408
71	32	-2.8283
72	32	-1.66299
73	32	-0.627817
74	32	0.196648
75	32	0.86009
76	32	1.40143
77	32	1.75342
78	32	1.92134
79	32	2.06949
80	32	2.12497
81	32	1.97517
82	32	1.71528
83	32	1.35616
84	32	0.803646
85	32	0.0378683
86	32	-0.957211
87	32	-2.25874
88	32	-3.93821
89	32	-6.16666
90	32	-9.40614
91	32	-14.504
92	32	-19.3708
93	32	-13.4979
94	32	-8.68035
95	32	-5.5432
96	32	-3.34365
97	32	-1.57548
98	32	-0.194472
99	32	0.877813
100	32	1.71697
101	32	2.35073
102	32	2.84415
103	32	3.20964
104	32	3.43709
105	32	3.55009
106	32	3.56315
107	32	3.45973
108	32	3.26303
109	32	2.95094
110	32	2.52097
111	32	1.94095
112	32	1.22184
113	32	0.321385
114	32	-0.703911
115	32	-1.83162
116	32	-2.97653
117	32	-4.08371
118	32	-5.12251
119	32	-5.55874
120	32	-5.0739
121	32	-3.97114
122	32	-2.70844
123	32	-1.43052
124	32	-0.303207
125	32	0.716287
126	32	1.56783
127	32	2.33101
128	32	2.96238
129	32	3.48823
130	32	3.92951
131	32	4.27979
132	32	4.55437
133	32	4.75418
134	32	4.88364
135	32	4.9787
136	32	4.98812
137	32	4.99342
138	32	4.91851
139	32	4.81442
140	32	4.64874
141	32	4.43179

142	32	4.15543
143	32	3.84
144	32	3.51289
145	32	3.17854
146	32	2.7984
147	32	2.3604
148	32	1.89297
149	32	1.43443
150	32	0.961987
151	32	0.477903
152	32	0.0164757
153	32	-0.404103
154	32	-0.773678
155	32	-1.04066
156	32	-1.28289
157	32	-1.46038
158	32	-1.56157
159	32	-1.59957
160	32	-1.5281
161	32	-1.4032
162	32	-1.20854
163	32	-1.01787
164	32	-0.732781
165	32	-0.468374
166	32	-0.27039
167	32	-0.0549306
168	32	0.176218
169	32	0.378013
170	32	0.556069
171	32	0.734494
172	32	0.826185
173	32	0.975547
174	32	1.10882
175	32	1.28169
176	32	1.40557
177	32	1.4838
178	32	1.61245
179	32	1.65225
180	32	1.7072
-180	33	2.74176
-179	33	2.77521
-178	33	2.78154
-177	33	2.78866
-176	33	2.76996
-175	33	2.75383
-174	33	2.66028
-173	33	2.62534
-172	33	2.56576
-171	33	2.54071
-170	33	2.46957
-169	33	2.38152
-168	33	2.28104
-167	33	2.15534
-166	33	2.00937
-165	33	1.85231
-164	33	1.6863
-163	33	1.53163
-162	33	1.36514
-161	33	1.19912
-160	33	1.06836
-159	33	0.905595
-158	33	0.673401
-157	33	0.505492
-156	33	0.295974
-155	33	0.158953
-154	33	-0.030494
-153	33	-0.225692
-152	33	-0.341168
-151	33	-0.524382
-150	33	-0.603163
-149	33	-0.654049
-148	33	-0.629058
-147	33	-0.539427
-146	33	-0.402553
-145	33	-0.190161
-144	33	0.0484426
-143	33	0.308099
-142	33	0.621296
-141	33	0.938034
-140	33	1.24658
-139	33	1.5724
-138	33	1.9186
-137	33	2.21735
-136	33	2.4977
-135	33	2.77516
-134	33	3.01871
-133	33	3.22409
-132	33	3.40138
-131	33	3.51068
-130	33	3.58123
-129	33	3.60597
-128	33	3.57425
-127	33	3.47634
-126	33	3.32096
-125	33	3.07393

-124	33	2.76674
-123	33	2.37627
-122	33	1.87888
-121	33	1.26933
-120	33	0.531588
-119	33	-0.392373
-118	33	-1.51398
-117	33	-3.02382
-116	33	-5.92034
-115	33	-8.42246
-114	33	-9.59801
-113	33	-9.9285
-112	33	-9.12984
-111	33	-7.4504
-110	33	-5.55168
-109	33	-3.82826
-108	33	-2.39213
-107	33	-1.16126
-106	33	-0.153173
-105	33	0.641964
-104	33	1.29307
-103	33	1.76198
-102	33	2.04389
-101	33	2.23874
-100	33	2.39661
-99	33	2.34584
-98	33	2.14173
-97	33	1.82371
-96	33	1.32809
-95	33	0.652163
-94	33	-0.245794
-93	33	-1.40702
-92	33	-2.9241
-91	33	-4.89882
-90	33	-7.67533
-89	33	-11.7778
-88	33	-17.8299
-87	33	-15.4896
-86	33	-9.94415
-85	33	-6.38566
-84	33	-3.91174
-83	33	-1.98606
-82	33	-0.500161
-81	33	0.652522
-80	33	1.54213
-79	33	2.25112
-78	33	2.79679
-77	33	3.13789
-76	33	3.45734
-75	33	3.60878
-74	33	3.61951
-73	33	3.49535
-72	33	3.28248
-71	33	2.91838
-70	33	2.45362
-69	33	1.81467
-68	33	1.07503
-67	33	0.186816
-66	33	-0.88025
-65	33	-2.00288
-64	33	-3.14874
-63	33	-4.19332
-62	33	-4.91601
-61	33	-4.87274
-60	33	-4.2082
-59	33	-3.11954
-58	33	-1.92403
-57	33	-0.773329
-56	33	0.259656
-55	33	1.17794
-54	33	1.95077
-53	33	2.61089
-52	33	3.1697
-51	33	3.6309
-50	33	3.99768
-49	33	4.26679
-48	33	4.46858
-47	33	4.5846
-46	33	4.65824
-45	33	4.65837
-44	33	4.61435
-43	33	4.52578
-42	33	4.36587
-41	33	4.15322
-40	33	3.88362
-39	33	3.56662
-38	33	3.20638
-37	33	2.83044
-36	33	2.46181
-35	33	2.05081
-34	33	1.55088
-33	33	0.989693
-32	33	0.430919
-31	33	-0.0611019
-30	33	-0.512052

-29	33	-0.948154
-28	33	-1.31917
-27	33	-1.56247
-26	33	-1.69555
-25	33	-1.7514
-24	33	-1.7795
-23	33	-1.65151
-22	33	-1.45552
-21	33	-1.2166
-20	33	-0.922081
-19	33	-0.624746
-18	33	-0.311432
-17	33	0.0185652
-16	33	0.366333
-15	33	0.603077
-14	33	0.834575
-13	33	1.08131
-12	33	1.28381
-11	33	1.48955
-10	33	1.68744
-9	33	1.76661
-8	33	1.91575
-7	33	2.04756
-6	33	2.20347
-5	33	2.3109
-4	33	2.37822
-3	33	2.4365
-2	33	2.48057
-1	33	2.52145
0	33	2.55457
1	33	2.59405
2	33	2.61167
3	33	2.61777
4	33	2.60456
5	33	2.56077
6	33	2.45273
7	33	2.43505
8	33	2.38414
9	33	2.34781
10	33	2.26986
11	33	2.18535
12	33	2.08538
13	33	1.96833
14	33	1.83014
15	33	1.67029
16	33	1.49702
17	33	1.32073
18	33	1.15944
19	33	0.989367
20	33	0.848672
21	33	0.711215
22	33	0.512284
23	33	0.367868
24	33	0.204931
25	33	0.0402863
26	33	-0.157098
27	33	-0.323865
28	33	-0.44558
29	33	-0.589036
30	33	-0.600921
31	33	-0.62009
32	33	-0.539809
33	33	-0.381379
34	33	-0.161074
35	33	0.0485962
36	33	0.298186
37	33	0.578129
38	33	0.878241
39	33	1.19468
40	33	1.49997
41	33	1.80858
42	33	2.15262
43	33	2.45028
44	33	2.72528
45	33	2.98351
46	33	3.20425
47	33	3.38574
48	33	3.53837
49	33	3.64613
50	33	3.68871
51	33	3.68884
52	33	3.63434
53	33	3.51286
54	33	3.31427
55	33	3.04734
56	33	2.70509
57	33	2.28631
58	33	1.73569
59	33	1.09255
60	33	0.463843
61	33	-0.453835
62	33	-1.55977
63	33	-3.08018
64	33	-6.04918
65	33	-8.68768

66	33	-10.0709
67	33	-10.5047
68	33	-9.47265
69	33	-7.61192
70	33	-5.6395
71	33	-3.90023
72	33	-2.47085
73	33	-1.23871
74	33	-0.197928
75	33	0.551122
76	33	1.1878
77	33	1.64574
78	33	1.90585
79	33	2.0796
80	33	2.2216
81	33	2.1495
82	33	1.91837
83	33	1.60287
84	33	1.07444
85	33	0.36387
86	33	-0.571703
87	33	-1.81611
88	33	-3.45837
89	33	-5.58798
90	33	-8.48291
91	33	-12.5842
92	33	-16.3484
93	33	-12.7278
94	33	-8.42176
95	33	-5.41455
96	33	-3.2181
97	33	-1.48237
98	33	-0.112576
99	33	0.962367
100	33	1.77207
101	33	2.46023
102	33	2.93193
103	33	3.27758
104	33	3.49722
105	33	3.62128
106	33	3.5991
107	33	3.46603
108	33	3.20266
109	33	2.80452
110	33	2.28313
111	33	1.63412
112	33	0.868726
113	33	-0.0598345
114	33	-1.18894
115	33	-2.33551
116	33	-3.44
117	33	-4.51117
118	33	-5.127
119	33	-4.97671
120	33	-4.11492
121	33	-2.93531
122	33	-1.68738
123	33	-0.48366
124	33	0.524016
125	33	1.43718
126	33	2.18711
127	33	2.85489
128	33	3.40485
129	33	3.85264
130	33	4.20972
131	33	4.47359
132	33	4.65417
133	33	4.75559
134	33	4.81032
135	33	4.79742
136	33	4.7583
137	33	4.64884
138	33	4.47535
139	33	4.23614
140	33	3.9409
141	33	3.61941
142	33	3.24757
143	33	2.85381
144	33	2.43569
145	33	1.98817
146	33	1.45307
147	33	0.849812
148	33	0.274737
149	33	-0.258246
150	33	-0.769738
151	33	-1.24232
152	33	-1.61608
153	33	-1.83731
154	33	-1.95637
155	33	-2.01826
156	33	-1.99266
157	33	-1.84834
158	33	-1.635
159	33	-1.33805
160	33	-1.02597

161	33	-0.656471
162	33	-0.303614
163	33	0.0423489
164	33	0.420239
165	33	0.69413
166	33	0.939755
167	33	1.20078
168	33	1.42048
169	33	1.62808
170	33	1.80409
171	33	1.89272
172	33	2.03875
173	33	2.17723
174	33	2.3345
175	33	2.43144
176	33	2.52534
177	33	2.60508
178	33	2.67079
179	33	2.72104
180	33	2.74176
-180	34	3.82485
-179	34	3.83274
-178	34	3.8194
-177	34	3.79501
-176	34	3.76981
-175	34	3.73276
-174	34	3.64655
-173	34	3.60024
-172	34	3.54225
-171	34	3.48947
-170	34	3.39935
-169	34	3.29906
-168	34	3.16865
-167	34	3.03249
-166	34	2.88118
-165	34	2.74519
-164	34	2.59239
-163	34	2.43273
-162	34	2.26196
-161	34	2.07568
-160	34	1.88506
-159	34	1.64562
-158	34	1.36748
-157	34	1.10801
-156	34	0.896104
-155	34	0.67765
-154	34	0.431508
-153	34	0.21577
-152	34	0.0223829
-151	34	-0.274643
-150	34	-0.547511
-149	34	-0.798424
-148	34	-0.980875
-147	34	-1.07569
-146	34	-1.06376
-145	34	-1.01654
-144	34	-0.846417
-143	34	-0.606668
-142	34	-0.28758
-141	34	0.0750114
-140	34	0.451319
-139	34	0.851802
-138	34	1.24503
-137	34	1.62524
-136	34	1.99341
-135	34	2.34272
-134	34	2.67261
-133	34	2.97855
-132	34	3.2301
-131	34	3.43467
-130	34	3.5832
-129	34	3.68125
-128	34	3.74022
-127	34	3.72934
-126	34	3.6556
-125	34	3.50807
-124	34	3.27539
-123	34	2.98643
-122	34	2.58146
-121	34	2.07521
-120	34	1.46491
-119	34	0.684684
-118	34	-0.283555
-117	34	-1.45924
-116	34	-3.1952
-115	34	-5.17786
-114	34	-7.98446
-113	34	-9.72098
-112	34	-10.3603
-111	34	-9.39463
-110	34	-7.27936
-109	34	-5.17459
-108	34	-3.38199
-107	34	-1.91362
-106	34	-0.718799

-105	34	0.245292
-104	34	0.996905
-103	34	1.58631
-102	34	1.99432
-101	34	2.23374
-100	34	2.44589
-99	34	2.49863
-98	34	2.32997
-97	34	2.06214
-96	34	1.632
-95	34	1.02302
-94	34	0.168963
-93	34	-0.949362
-92	34	-2.38145
-91	34	-4.22858
-90	34	-6.75275
-89	34	-10.2888
-88	34	-14.7447
-87	34	-14.2685
-86	34	-9.75101
-85	34	-6.36386
-84	34	-3.90698
-83	34	-1.98064
-82	34	-0.471267
-81	34	0.694567
-80	34	1.63147
-79	34	2.28732
-78	34	2.87984
-77	34	3.26675
-76	34	3.49232
-75	34	3.58705
-74	34	3.56924
-73	34	3.39459
-72	34	3.16882
-71	34	2.76719
-70	34	2.23551
-69	34	1.50618
-68	34	0.654244
-67	34	-0.342636
-66	34	-1.49583
-65	34	-2.57985
-64	34	-3.694
-63	34	-4.57001
-62	34	-4.9001
-61	34	-4.5172
-60	34	-3.59039
-59	34	-2.39616
-58	34	-1.21642
-57	34	-0.116964
-56	34	0.857272
-55	34	1.73
-54	34	2.4455
-53	34	3.02777
-52	34	3.50026
-51	34	3.86974
-50	34	4.11993
-49	34	4.29118
-48	34	4.41682
-47	34	4.48032
-46	34	4.46782
-45	34	4.36991
-44	34	4.20194
-43	34	3.98047
-42	34	3.71761
-41	34	3.41306
-40	34	3.05818
-39	34	2.65087
-38	34	2.17482
-37	34	1.64961
-36	34	1.11692
-35	34	0.555421
-34	34	-0.00432065
-33	34	-0.563738
-32	34	-1.0936
-31	34	-1.50704
-30	34	-1.83507
-29	34	-2.08703
-28	34	-2.15953
-27	34	-2.01501
-26	34	-1.75202
-25	34	-1.48094
-24	34	-1.16157
-23	34	-0.788702
-22	34	-0.376398
-21	34	0.0273574
-20	34	0.422079
-19	34	0.75109
-18	34	1.11999
-17	34	1.42951
-16	34	1.72031
-15	34	1.93288
-14	34	2.22311
-13	34	2.45409
-12	34	2.62706
-11	34	2.79156

-10	34	2.93139
-9	34	3.00023
-8	34	3.10856
-7	34	3.21141
-6	34	3.32637
-5	34	3.41748
-4	34	3.49809
-3	34	3.5352
-2	34	3.55557
-1	34	3.58581
0	34	3.61018
1	34	3.62572
2	34	3.63783
3	34	3.60609
4	34	3.58946
5	34	3.5633
6	34	3.48002
7	34	3.42241
8	34	3.35185
9	34	3.28753
10	34	3.1901
11	34	3.06692
12	34	2.96098
13	34	2.83652
14	34	2.67836
15	34	2.52275
16	34	2.35923
17	34	2.19026
18	34	2.02246
19	34	1.84629
20	34	1.65947
21	34	1.42662
22	34	1.14539
23	34	0.893556
24	34	0.648729
25	34	0.399176
26	34	0.18002
27	34	-0.0417968
28	34	-0.217554
29	34	-0.450119
30	34	-0.68582
31	34	-0.867331
32	34	-0.946297
33	34	-1.00188
34	34	-0.955343
35	34	-0.837775
36	34	-0.625118
37	34	-0.368524
38	34	-0.0278503
39	34	0.324188
40	34	0.688219
41	34	1.07458
42	34	1.46949
43	34	1.86407
44	34	2.25431
45	34	2.60981
46	34	2.92186
47	34	3.1961
48	34	3.419
49	34	3.63774
50	34	3.71189
51	34	3.78845
52	34	3.8213
53	34	3.78958
54	34	3.68281
55	34	3.51062
56	34	3.22901
57	34	2.91949
58	34	2.4722
59	34	1.91814
60	34	1.24261
61	34	0.568201
62	34	-0.420502
63	34	-1.57576
64	34	-3.29327
65	34	-5.35201
66	34	-8.22019
67	34	-9.99829
68	34	-10.7491
69	34	-9.52371
70	34	-7.28897
71	34	-5.19904
72	34	-3.42519
73	34	-1.95962
74	34	-0.750665
75	34	0.216408
76	34	0.960199
77	34	1.52178
78	34	1.90513
79	34	2.12771
80	34	2.31993
81	34	2.3539
82	34	2.19116
83	34	1.92015
84	34	1.46689

85	34	0.813026
86	34	-0.0454557
87	34	-1.19916
88	34	-2.64889
89	34	-4.55979
90	34	-7.13798
91	34	-10.5238
92	34	-13.5868
93	34	-11.8948
94	34	-8.21335
95	34	-5.44007
96	34	-3.30372
97	34	-1.51812
98	34	-0.135657
99	34	0.944549
100	34	1.80999
101	34	2.46711
102	34	2.99302
103	34	3.32195
104	34	3.50994
105	34	3.56946
106	34	3.51093
107	34	3.31578
108	34	3.02239
109	34	2.62224
110	34	2.04563
111	34	1.28375
112	34	0.407164
113	34	-0.613694
114	34	-1.70534
115	34	-2.8191
116	34	-4.00148
117	34	-4.88817
118	34	-5.04151
119	34	-4.4702
120	34	-3.39527
121	34	-2.11621
122	34	-0.87639
123	34	0.216635
124	34	1.16487
125	34	1.96402
126	34	2.64806
127	34	3.22408
128	34	3.6788
129	34	4.03447
130	34	4.30519
131	34	4.49659
132	34	4.59841
133	34	4.62907
134	34	4.58953
135	34	4.47049
136	34	4.295
137	34	4.06619
138	34	3.79638
139	34	3.4587
140	34	3.073
141	34	2.6268
142	34	2.13064
143	34	1.5709
144	34	1.01952
145	34	0.400678
146	34	-0.206465
147	34	-0.825292
148	34	-1.39373
149	34	-1.86547
150	34	-2.19189
151	34	-2.4157
152	34	-2.46211
153	34	-2.28869
154	34	-1.99382
155	34	-1.6768
156	34	-1.20662
157	34	-0.886739
158	34	-0.436809
159	34	0.0191961
160	34	0.444441
161	34	0.854212
162	34	1.20886
163	34	1.55485
164	34	1.86478
165	34	2.09061
166	34	2.39626
167	34	2.61648
168	34	2.80341
169	34	2.97443
170	34	3.12358
171	34	3.20344
172	34	3.32361
173	34	3.40719
174	34	3.52663
175	34	3.60571
176	34	3.662
177	34	3.71392
178	34	3.75885
179	34	3.80382

180	34	3.82485
-180	35	4.61847
-179	35	4.61495
-178	35	4.59982
-177	35	4.58557
-176	35	4.57426
-175	35	4.54722
-174	35	4.49103
-173	35	4.44463
-172	35	4.38236
-171	35	4.30818
-170	35	4.21341
-169	35	4.11036
-168	35	4.00583
-167	35	3.90365
-166	35	3.8016
-165	35	3.68729
-164	35	3.54639
-163	35	3.38524
-162	35	3.21005
-161	35	3.0234
-160	35	2.82627
-159	35	2.59759
-158	35	2.34259
-157	35	2.08793
-156	35	1.8616
-155	35	1.58998
-154	35	1.30612
-153	35	1.041
-152	35	0.726372
-151	35	0.358711
-150	35	0.019288
-149	35	-0.327299
-148	35	-0.66931
-147	35	-0.98929
-146	35	-1.29055
-145	35	-1.46298
-144	35	-1.52529
-143	35	-1.47616
-142	35	-1.27517
-141	35	-0.937201
-140	35	-0.5819
-139	35	-0.155889
-138	35	0.300564
-137	35	0.779278
-136	35	1.25192
-135	35	1.70394
-134	35	2.13476
-133	35	2.53118
-132	35	2.8914
-131	35	3.18243
-130	35	3.41852
-129	35	3.60991
-128	35	3.76135
-127	35	3.83805
-126	35	3.86166
-125	35	3.80082
-124	35	3.65772
-123	35	3.43189
-122	35	3.10953
-121	35	2.69894
-120	35	2.16651
-119	35	1.5002
-118	35	0.677775
-117	35	-0.333884
-116	35	-1.57228
-115	35	-3.60114
-114	35	-5.08798
-113	35	-7.50316
-112	35	-9.68025
-111	35	-10.3969
-110	35	-9.02854
-109	35	-6.72313
-108	35	-4.55184
-107	35	-2.77604
-106	35	-1.33435
-105	35	-0.170325
-104	35	0.747811
-103	35	1.44328
-102	35	1.9464
-101	35	2.27009
-100	35	2.49928
-99	35	2.62995
-98	35	2.53856
-97	35	2.29506
-96	35	1.9095
-95	35	1.33335
-94	35	0.547886
-93	35	-0.482473
-92	35	-1.83138
-91	35	-3.537
-90	35	-5.84669
-89	35	-8.9511
-88	35	-12.6274
-87	35	-13.4135

-86	35	-9.84468
-85	35	-6.46228
-84	35	-3.92248
-83	35	-1.96051
-82	35	-0.479088
-81	35	0.708509
-80	35	1.62369
-79	35	2.38128
-78	35	2.87289
-77	35	3.21608
-76	35	3.41312
-75	35	3.45608
-74	35	3.44277
-73	35	3.28393
-72	35	2.93214
-71	35	2.48319
-70	35	1.89793
-69	35	1.13685
-68	35	0.19826
-67	35	-0.884865
-66	35	-1.98153
-65	35	-3.19261
-64	35	-4.33854
-63	35	-5.07925
-62	35	-4.94805
-61	35	-4.13247
-60	35	-2.93294
-59	35	-1.68657
-58	35	-0.534579
-57	35	0.520177
-56	35	1.39335
-55	35	2.13437
-54	35	2.74751
-53	35	3.22319
-52	35	3.5981
-51	35	3.86179
-50	35	4.00716
-49	35	4.14216
-48	35	4.19959
-47	35	4.17312
-46	35	4.06802
-45	35	3.88082
-44	35	3.63567
-43	35	3.33586
-42	35	2.95348
-41	35	2.50804
-40	35	2.01412
-39	35	1.49532
-38	35	0.940286
-37	35	0.341747
-36	35	-0.28037
-35	35	-0.921713
-34	35	-1.43273
-33	35	-1.86603
-32	35	-2.2233
-31	35	-2.37884
-30	35	-2.28109
-29	35	-2.0708
-28	35	-1.73855
-27	35	-1.24098
-26	35	-0.708499
-25	35	-0.241429
-24	35	0.207736
-23	35	0.669086
-22	35	1.11459
-21	35	1.53743
-20	35	1.92967
-19	35	2.21218
-18	35	2.50782
-17	35	2.76634
-16	35	3.01824
-15	35	3.23206
-14	35	3.43286
-13	35	3.60948
-12	35	3.75767
-11	35	3.89266
-10	35	4.00782
-9	35	4.08083
-8	35	4.16
-7	35	4.24348
-6	35	4.31047
-5	35	4.36392
-4	35	4.3956
-3	35	4.42018
-2	35	4.42978
-1	35	4.44756
0	35	4.468
1	35	4.47539
2	35	4.44645
3	35	4.44192
4	35	4.41746
5	35	4.39206
6	35	4.33009
7	35	4.27739
8	35	4.20995

9	35	4.13484
10	35	4.03369
11	35	3.93218
12	35	3.83113
13	35	3.71684
14	35	3.60708
15	35	3.48186
16	35	3.34358
17	35	3.18995
18	35	3.01939
19	35	2.84501
20	35	2.65193
21	35	2.40542
22	35	2.13199
23	35	1.83185
24	35	1.58411
25	35	1.27147
26	35	0.991805
27	35	0.71568
28	35	0.407886
29	35	0.0625433
30	35	-0.244843
31	35	-0.55919
32	35	-0.869461
33	35	-1.14543
34	35	-1.32946
35	35	-1.4647
36	35	-1.45589
37	35	-1.31083
38	35	-1.06105
39	35	-0.708259
40	35	-0.31407
41	35	0.130159
42	35	0.61323
43	35	1.10075
44	35	1.56293
45	35	2.00922
46	35	2.42137
47	35	2.78545
48	35	3.0907
49	35	3.33392
50	35	3.5436
51	35	3.71993
52	35	3.84979
53	35	3.91351
54	35	3.90787
55	35	3.82026
56	35	3.65195
57	35	3.39523
58	35	3.05098
59	35	2.59603
60	35	2.01056
61	35	1.31361
62	35	0.606544
63	35	-0.420409
64	35	-1.66598
65	35	-3.7387
66	35	-5.25854
67	35	-7.71392
68	35	-9.98405
69	35	-10.6682
70	35	-9.07447
71	35	-6.64289
72	35	-4.44892
73	35	-2.68531
74	35	-1.25805
75	35	-0.120229
76	35	0.769445
77	35	1.45369
78	35	1.94335
79	35	2.25234
80	35	2.46848
81	35	2.57583
82	35	2.4686
83	35	2.21733
84	35	1.82517
85	35	1.22911
86	35	0.440391
87	35	-0.60216
88	35	-1.91872
89	35	-3.67364
90	35	-5.92022
91	35	-8.73127
92	35	-11.3193
93	35	-11.4928
94	35	-8.53655
95	35	-5.67299
96	35	-3.41058
97	35	-1.57499
98	35	-0.203271
99	35	0.925753
100	35	1.79724
101	35	2.43556
102	35	2.90505
103	35	3.24664

104	35	3.40245
105	35	3.41863
106	35	3.37202
107	35	3.18704
108	35	2.80001
109	35	2.31704
110	35	1.69312
111	35	0.905308
112	35	-0.0591255
113	35	-1.10242
114	35	-2.23671
115	35	-3.42459
116	35	-4.62638
117	35	-5.19304
118	35	-4.8396
119	35	-3.80651
120	35	-2.5917
121	35	-1.36044
122	35	-0.23282
123	35	0.7442
124	35	1.59219
125	35	2.29437
126	35	2.88884
127	35	3.38372
128	35	3.75661
129	35	4.01421
130	35	4.18405
131	35	4.31443
132	35	4.3123
133	35	4.25894
134	35	4.13823
135	35	3.94045
136	35	3.67604
137	35	3.36172
138	35	2.96471
139	35	2.48433
140	35	1.94971
141	35	1.3664
142	35	0.752824
143	35	0.103825
144	35	-0.559495
145	35	-1.18804
146	35	-1.77545
147	35	-2.25298
148	35	-2.64596
149	35	-2.78053
150	35	-2.65645
151	35	-2.3888
152	35	-1.9809
153	35	-1.3817
154	35	-0.76907
155	35	-0.294071
156	35	0.212221
157	35	0.700076
158	35	1.22078
159	35	1.61046
160	35	1.99758
161	35	2.34725
162	35	2.6425
163	35	2.92452
164	35	3.19287
165	35	3.39919
166	35	3.60248
167	35	3.77697
168	35	3.92049
169	35	4.05723
170	35	4.17196
171	35	4.25226
172	35	4.32772
173	35	4.39607
174	35	4.45871
175	35	4.50902
176	35	4.54141
177	35	4.56583
178	35	4.59268
179	35	4.61093
180	35	4.61847
-180	36	5.09811
-179	36	5.11659
-178	36	5.08427
-177	36	5.08119
-176	36	5.06082
-175	36	5.03358
-174	36	5.00494
-173	36	4.96284
-172	36	4.90854
-171	36	4.84192
-170	36	4.76788
-169	36	4.70837
-168	36	4.65093
-167	36	4.58949
-166	36	4.4891
-165	36	4.4244
-164	36	4.30834
-163	36	4.16921

-162	36	4.0291
-161	36	3.87718
-160	36	3.72937
-159	36	3.55152
-158	36	3.36712
-157	36	3.13476
-156	36	2.88852
-155	36	2.5937
-154	36	2.31108
-153	36	2.0002
-152	36	1.63816
-151	36	1.27076
-150	36	0.883476
-149	36	0.494483
-148	36	0.0806019
-147	36	-0.359973
-146	36	-0.784356
-145	36	-1.19621
-144	36	-1.58444
-143	36	-1.89383
-142	36	-1.97743
-141	36	-1.9001
-140	36	-1.7114
-139	36	-1.34884
-138	36	-0.881424
-137	36	-0.346182
-136	36	0.212441
-135	36	0.792282
-134	36	1.32905
-133	36	1.85041
-132	36	2.30035
-131	36	2.69044
-130	36	3.03526
-129	36	3.34657
-128	36	3.61305
-127	36	3.7981
-126	36	3.91347
-125	36	3.94493
-124	36	3.89933
-123	36	3.75787
-122	36	3.52852
-121	36	3.18858
-120	36	2.76399
-119	36	2.19142
-118	36	1.49216
-117	36	0.60955
-116	36	-0.457163
-115	36	-1.58827
-114	36	-3.15025
-113	36	-5.1683
-112	36	-7.61086
-111	36	-9.86785
-110	36	-10.2107
-109	36	-8.35048
-108	36	-5.85189
-107	36	-3.77067
-106	36	-2.04799
-105	36	-0.687478
-104	36	0.373079
-103	36	1.21664
-102	36	1.83888
-101	36	2.29405
-100	36	2.59087
-99	36	2.77489
-98	36	2.74739
-97	36	2.56295
-96	36	2.24323
-95	36	1.72957
-94	36	1.01883
-93	36	0.067922
-92	36	-1.16323
-91	36	-2.74256
-90	36	-4.80976
-89	36	-7.57674
-88	36	-11.0828
-87	36	-12.9522
-86	36	-10.1051
-85	36	-6.73625
-84	36	-4.17521
-83	36	-2.10903
-82	36	-0.594772
-81	36	0.599677
-80	36	1.5248
-79	36	2.23849
-78	36	2.7356
-77	36	3.05859
-76	36	3.27944
-75	36	3.35509
-74	36	3.21254
-73	36	3.03232
-72	36	2.67901
-71	36	2.18417
-70	36	1.52511
-69	36	0.68014
-68	36	-0.409494

-67	36	-1.55058
-66	36	-2.8406
-65	36	-4.1327
-64	36	-5.02939
-63	36	-5.21765
-62	36	-4.64397
-61	36	-3.50839
-60	36	-2.3791
-59	36	-1.09696
-58	36	-0.0229317
-57	36	0.919963
-56	36	1.74328
-55	36	2.40856
-54	36	2.9532
-53	36	3.34994
-52	36	3.64442
-51	36	3.81581
-50	36	3.9151
-49	36	3.92715
-48	36	3.87513
-47	36	3.75976
-46	36	3.56179
-45	36	3.29696
-44	36	2.95338
-43	36	2.50634
-42	36	1.99232
-41	36	1.44095
-40	36	0.850193
-39	36	0.225774
-38	36	-0.420439
-37	36	-1.05539
-36	36	-1.59832
-35	36	-2.02713
-34	36	-2.35881
-33	36	-2.46829
-32	36	-2.22422
-31	36	-1.97444
-30	36	-1.54845
-29	36	-0.981622
-28	36	-0.413587
-27	36	0.139609
-26	36	0.663105
-25	36	1.19411
-24	36	1.73187
-23	36	2.06436
-22	36	2.44959
-21	36	2.78752
-20	36	3.07808
-19	36	3.37174
-18	36	3.59652
-17	36	3.79886
-16	36	3.98004
-15	36	4.16728
-14	36	4.31849
-13	36	4.46373
-12	36	4.54286
-11	36	4.6446
-10	36	4.74126
-9	36	4.81971
-8	36	4.88703
-7	36	4.91073
-6	36	4.96425
-5	36	4.98234
-4	36	4.99489
-3	36	5.00074
-2	36	4.99206
-1	36	4.9929
0	36	5.00064
1	36	5.03443
2	36	5.00996
3	36	5.01119
4	36	4.98385
5	36	4.95117
6	36	4.92082
7	36	4.85525
8	36	4.80027
9	36	4.72022
10	36	4.64811
11	36	4.58106
12	36	4.51532
13	36	4.44502
14	36	4.33999
15	36	4.27704
16	36	4.16522
17	36	4.03343
18	36	3.88356
19	36	3.72031
20	36	3.58042
21	36	3.39057
22	36	3.17905
23	36	2.93632
24	36	2.65743
25	36	2.34058
26	36	2.03759
27	36	1.69824

28	36	1.31203
29	36	0.929691
30	36	0.554113
31	36	0.17145
32	36	-0.230657
33	36	-0.648172
34	36	-1.06889
35	36	-1.39914
36	36	-1.68112
37	36	-1.90541
38	36	-1.93035
39	36	-1.78757
40	36	-1.52672
41	36	-1.1141
42	36	-0.597395
43	36	-0.0327187
44	36	0.539872
45	36	1.09967
46	36	1.63224
47	36	2.11571
48	36	2.54943
49	36	2.91872
50	36	3.25
51	36	3.51567
52	36	3.76019
53	36	3.91429
54	36	3.98893
55	36	3.98542
56	36	3.88438
57	36	3.7112
58	36	3.45946
59	36	3.10028
60	36	2.64362
61	36	2.04075
62	36	1.3211
63	36	0.547437
64	36	-0.554345
65	36	-1.71931
66	36	-3.33327
67	36	-5.42668
68	36	-7.99203
69	36	-10.2451
70	36	-10.3404
71	36	-8.22571
72	36	-5.66382
73	36	-3.54106
74	36	-1.85547
75	36	-0.540769
76	36	0.49262
77	36	1.30977
78	36	1.91341
79	36	2.35071
80	36	2.62846
81	36	2.7934
82	36	2.74859
83	36	2.5663
84	36	2.22046
85	36	1.70329
86	36	0.994305
87	36	0.0321978
88	36	-1.18984
89	36	-2.74119
90	36	-4.71513
91	36	-7.28657
92	36	-10.1146
93	36	-11.1252
94	36	-8.85977
95	36	-6.03225
96	36	-3.75038
97	36	-1.82832
98	36	-0.47131
99	36	0.753632
100	36	1.61797
101	36	2.26232
102	36	2.69288
103	36	3.00878
104	36	3.25803
105	36	3.24619
106	36	3.12126
107	36	2.90925
108	36	2.54329
109	36	2.02122
110	36	1.30877
111	36	0.406284
112	36	-0.635691
113	36	-1.77667
114	36	-3.08375
115	36	-4.37056
116	36	-5.15902
117	36	-5.22619
118	36	-4.55619
119	36	-3.31465
120	36	-2.05013
121	36	-0.8456
122	36	0.248462

123	36	1.14861
124	36	1.91483
125	36	2.54522
126	36	3.05249
127	36	3.45054
128	36	3.74139
129	36	3.91609
130	36	3.99898
131	36	4.00088
132	36	3.91914
133	36	3.80337
134	36	3.60256
135	36	3.28834
136	36	2.88196
137	36	2.42701
138	36	1.89517
139	36	1.32256
140	36	0.691513
141	36	-0.00735732
142	36	-0.719623
143	36	-1.41517
144	36	-2.02887
145	36	-2.51425
146	36	-2.83119
147	36	-2.90704
148	36	-2.60853
149	36	-2.27361
150	36	-1.73493
151	36	-1.14214
152	36	-0.487818
153	36	0.10692
154	36	0.697331
155	36	1.22994
156	36	1.75412
157	36	2.1845
158	36	2.55407
159	36	2.8913
160	36	3.21924
161	36	3.49746
162	36	3.72263
163	36	3.9452
164	36	4.12536
165	36	4.29482
166	36	4.44122
167	36	4.58557
168	36	4.6726
169	36	4.76794
170	36	4.85679
171	36	4.92705
172	36	4.98029
173	36	4.98683
174	36	5.04237
175	36	5.05709
176	36	5.06628
177	36	5.07567
178	36	5.08792
179	36	5.09825
180	36	5.09811
-180	37	5.25802
-179	37	5.25082
-178	37	5.24428
-177	37	5.23514
-176	37	5.2288
-175	37	5.21317
-174	37	5.20626
-173	37	5.1708
-172	37	5.13475
-171	37	5.07625
-170	37	5.04639
-169	37	5.02504
-168	37	5.00045
-167	37	4.96655
-166	37	4.91816
-165	37	4.85564
-164	37	4.7917
-163	37	4.68893
-162	37	4.60607
-161	37	4.51072
-160	37	4.41835
-159	37	4.29774
-158	37	4.16831
-157	37	3.95931
-156	37	3.75466
-155	37	3.51379
-154	37	3.27174
-153	37	2.96766
-152	37	2.61186
-151	37	2.25083
-150	37	1.87176
-149	37	1.47213
-148	37	1.03986
-147	37	0.584665
-146	37	0.106133
-145	37	-0.3939
-144	37	-0.937022

-143	37	-1.43855
-142	37	-1.82395
-141	37	-2.18622
-140	37	-2.45715
-139	37	-2.44341
-138	37	-2.14134
-137	37	-1.66154
-136	37	-1.06404
-135	37	-0.388319
-134	37	0.265995
-133	37	0.935691
-132	37	1.48875
-131	37	2.00692
-130	37	2.48185
-129	37	2.90103
-128	37	3.27958
-127	37	3.56739
-126	37	3.78007
-125	37	3.9151
-124	37	3.95475
-123	37	3.90656
-122	37	3.75824
-121	37	3.52689
-120	37	3.20563
-119	37	2.75367
-118	37	2.14596
-117	37	1.38006
-116	37	0.445996
-115	37	-0.701372
-114	37	-1.91256
-113	37	-3.35928
-112	37	-5.78088
-111	37	-8.35728
-110	37	-10.1878
-109	37	-9.53141
-108	37	-7.20149
-107	37	-4.74162
-106	37	-2.79157
-105	37	-1.23645
-104	37	0.000320083
-103	37	0.986948
-102	37	1.72813
-101	37	2.29365
-100	37	2.68498
-99	37	2.91675
-98	37	2.95951
-97	37	2.84333
-96	37	2.57518
-95	37	2.10895
-94	37	1.46888
-93	37	0.601874
-92	37	-0.517053
-91	37	-2.00514
-90	37	-3.97759
-89	37	-6.53613
-88	37	-9.77013
-87	37	-12.2857
-86	37	-10.6482
-85	37	-7.28219
-84	37	-4.48033
-83	37	-2.4174
-82	37	-0.860017
-81	37	0.348951
-80	37	1.29909
-79	37	2.00409
-78	37	2.57684
-77	37	2.93423
-76	37	3.06821
-75	37	3.10844
-74	37	3.0179
-73	37	2.74161
-72	37	2.31596
-71	37	1.74047
-70	37	0.899106
-69	37	-0.116747
-68	37	-1.1125
-67	37	-2.19884
-66	37	-3.48266
-65	37	-4.65422
-64	37	-5.42295
-63	37	-5.2652
-62	37	-4.32022
-61	37	-3.0026
-60	37	-1.69348
-59	37	-0.517765
-58	37	0.507927
-57	37	1.36114
-56	37	2.02892
-55	37	2.58339
-54	37	3.01922
-53	37	3.34709
-52	37	3.56024
-51	37	3.66606
-50	37	3.67402
-49	37	3.59542

-48	37	3.44814
-47	37	3.21039
-46	37	2.91098
-45	37	2.5424
-44	37	2.08887
-43	37	1.56549
-42	37	0.987243
-41	37	0.351683
-40	37	-0.316372
-39	37	-0.973373
-38	37	-1.54592
-37	37	-1.99075
-36	37	-2.1923
-35	37	-2.27235
-34	37	-2.23387
-33	37	-1.92424
-32	37	-1.42698
-31	37	-0.835873
-30	37	-0.226965
-29	37	0.382317
-28	37	0.992467
-27	37	1.54868
-26	37	1.97257
-25	37	2.40674
-24	37	2.79517
-23	37	3.12914
-22	37	3.46699
-21	37	3.72404
-20	37	3.94346
-19	37	4.15933
-18	37	4.36097
-17	37	4.48782
-16	37	4.6075
-15	37	4.7427
-14	37	4.84932
-13	37	4.95377
-12	37	5.00835
-11	37	5.0655
-10	37	5.10329
-9	37	5.17037
-8	37	5.20012
-7	37	5.22444
-6	37	5.21959
-5	37	5.22275
-4	37	5.22251
-3	37	5.20569
-2	37	5.20947
-1	37	5.20876
0	37	5.21703
1	37	5.22618
2	37	5.22338
3	37	5.21115
4	37	5.19565
5	37	5.17329
6	37	5.16274
7	37	5.11403
8	37	5.07227
9	37	5.006
10	37	4.97336
11	37	4.94312
12	37	4.92089
13	37	4.88992
14	37	4.84197
15	37	4.77505
16	37	4.69316
17	37	4.5937
18	37	4.50465
19	37	4.40235
20	37	4.30927
21	37	4.1777
22	37	4.02599
23	37	3.78424
24	37	3.55543
25	37	3.30701
26	37	3.03841
27	37	2.71013
28	37	2.34675
29	37	1.96709
30	37	1.55218
31	37	1.12769
32	37	0.680793
33	37	0.230664
34	37	-0.239496
35	37	-0.755881
36	37	-1.28124
37	37	-1.76294
38	37	-2.07552
39	37	-2.32003
40	37	-2.45046
41	37	-2.30775
42	37	-1.94575
43	37	-1.41234
44	37	-0.77477
45	37	-0.104002
46	37	0.553435

47	37	1.19599
48	37	1.74122
49	37	2.24491
50	37	2.7595
51	37	3.10155
52	37	3.4428
53	37	3.69299
54	37	3.88126
55	37	3.96088
56	37	3.95945
57	37	3.88558
58	37	3.74317
59	37	3.48176
60	37	3.10639
61	37	2.5966
62	37	1.92875
63	37	1.10598
64	37	0.261309
65	37	-0.923779
66	37	-2.13729
67	37	-3.58974
68	37	-6.12759
69	37	-8.826
70	37	-10.5761
71	37	-9.44163
72	37	-6.86096
73	37	-4.45857
74	37	-2.52573
75	37	-1.01072
76	37	0.189447
77	37	1.17317
78	37	1.8907
79	37	2.41427
80	37	2.777
81	37	2.96914
82	37	2.99334
83	37	2.85436
84	37	2.59075
85	37	2.12716
86	37	1.48513
87	37	0.619778
88	37	-0.49399
89	37	-1.9813
90	37	-3.88592
91	37	-6.24754
92	37	-8.93291
93	37	-10.6722
94	37	-9.40413
95	37	-6.6657
96	37	-4.17425
97	37	-2.22822
98	37	-0.743827
99	37	0.441897
100	37	1.34442
101	37	2.01872
102	37	2.56196
103	37	2.87441
104	37	2.99374
105	37	3.03449
106	37	2.92528
107	37	2.64204
108	37	2.22425
109	37	1.58366
110	37	0.726053
111	37	-0.252335
112	37	-1.26419
113	37	-2.42551
114	37	-3.82597
115	37	-4.92747
116	37	-5.48073
117	37	-5.21294
118	37	-4.21537
119	37	-2.89171
120	37	-1.58598
121	37	-0.41367
122	37	0.623933
123	37	1.45351
124	37	2.12542
125	37	2.65921
126	37	3.07993
127	37	3.38268
128	37	3.57454
129	37	3.65734
130	37	3.66833
131	37	3.60192
132	37	3.43839
133	37	3.18137
134	37	2.85338
135	37	2.40899
136	37	1.90629
137	37	1.34834
138	37	0.738381
139	37	0.0898602
140	37	-0.601285
141	37	-1.32103

142	37	-1.97914
143	37	-2.45093
144	37	-2.69637
145	37	-2.74326
146	37	-2.59654
147	37	-2.18201
148	37	-1.64169
149	37	-0.981661
150	37	-0.302811
151	37	0.339667
152	37	1.01606
153	37	1.53271
154	37	2.03844
155	37	2.51412
156	37	2.9101
157	37	3.27003
158	37	3.5849
159	37	3.84059
160	37	4.07747
161	37	4.27978
162	37	4.46652
163	37	4.60996
164	37	4.73991
165	37	4.85297
166	37	4.94219
167	37	5.03146
168	37	5.08427
169	37	5.14331
170	37	5.18856
171	37	5.23676
172	37	5.25459
173	37	5.27485
174	37	5.27029
175	37	5.26883
176	37	5.26313
177	37	5.25431
178	37	5.25608
179	37	5.25819
180	37	5.25802
-180	38	5.04189
-179	38	5.04151
-178	38	5.03377
-177	38	5.01503
-176	38	5.04283
-175	38	5.00558
-174	38	5.02693
-173	38	5.0114
-172	38	5.00549
-171	38	4.98879
-170	38	5.01129
-169	38	5.02395
-168	38	5.0225
-167	38	5.00269
-166	38	4.99336
-165	38	4.97461
-164	38	4.95599
-163	38	4.92355
-162	38	4.88955
-161	38	4.8495
-160	38	4.80204
-159	38	4.72901
-158	38	4.65354
-157	38	4.4996
-156	38	4.34367
-155	38	4.18109
-154	38	3.98388
-153	38	3.74074
-152	38	3.46625
-151	38	3.17519
-150	38	2.83878
-149	38	2.46981
-148	38	2.05487
-147	38	1.61426
-146	38	1.13749
-145	38	0.607824
-144	38	0.0195512
-143	38	-0.573311
-142	38	-1.13305
-141	38	-1.79435
-140	38	-2.40987
-139	38	-2.8395
-138	38	-3.04177
-137	38	-2.92597
-136	38	-2.54829
-135	38	-1.91893
-134	38	-1.18983
-133	38	-0.423485
-132	38	0.314337
-131	38	1.00964
-130	38	1.64708
-129	38	2.23686
-128	38	2.74407
-127	38	3.16822
-126	38	3.48128
-125	38	3.71754

-124	38	3.85872
-123	38	3.92104
-122	38	3.87953
-121	38	3.76375
-120	38	3.50917
-119	38	3.15615
-118	38	2.67512
-117	38	2.04616
-116	38	1.24429
-115	38	0.232114
-114	38	-1.00814
-113	38	-2.40414
-112	38	-4.15168
-111	38	-6.62582
-110	38	-9.19894
-109	38	-10.3032
-108	38	-8.53956
-107	38	-5.98222
-106	38	-3.75397
-105	38	-1.90586
-104	38	-0.44897
-103	38	0.682271
-102	38	1.55148
-101	38	2.20664
-100	38	2.69899
-99	38	2.98588
-98	38	3.08261
-97	38	3.02214
-96	38	2.81847
-95	38	2.41668
-94	38	1.84614
-93	38	1.05777
-92	38	-0.0333704
-91	38	-1.44649
-90	38	-3.26044
-89	38	-5.66576
-88	38	-8.74327
-87	38	-12.1391
-86	38	-11.6845
-85	38	-8.21558
-84	38	-5.21958
-83	38	-2.95624
-82	38	-1.27121
-81	38	0.0254961
-80	38	1.07056
-79	38	1.86755
-78	38	2.33414
-77	38	2.72804
-76	38	2.88715
-75	38	2.86971
-74	38	2.694
-73	38	2.38249
-72	38	1.88363
-71	38	1.2288
-70	38	0.406674
-69	38	-0.61305
-68	38	-1.73071
-67	38	-3.0005
-66	38	-4.32617
-65	38	-5.30373
-64	38	-5.58427
-63	38	-4.97473
-62	38	-3.77469
-61	38	-2.40008
-60	38	-1.11363
-59	38	0.00811709
-58	38	0.940408
-57	38	1.69363
-56	38	2.28424
-55	38	2.73314
-54	38	3.06366
-53	38	3.28648
-52	38	3.41023
-51	38	3.44482
-50	38	3.37841
-49	38	3.21151
-48	38	2.94105
-47	38	2.61584
-46	38	2.18431
-45	38	1.68047
-44	38	1.12037
-43	38	0.48715
-42	38	-0.192506
-41	38	-0.920105
-40	38	-1.5472
-39	38	-2.00738
-38	38	-2.30013
-37	38	-2.32545
-36	38	-2.18095
-35	38	-1.83643
-34	38	-1.30181
-33	38	-0.701535
-32	38	-0.0545462
-31	38	0.576833
-30	38	1.11696

-29	38	1.61821
-28	38	2.10764
-27	38	2.58813
-26	38	2.98062
-25	38	3.3218
-24	38	3.65223
-23	38	3.92867
-22	38	4.15671
-21	38	4.33433
-20	38	4.50677
-19	38	4.7038
-18	38	4.77452
-17	38	4.73432
-16	38	4.9505
-15	38	5.02103
-14	38	5.0808
-13	38	5.11888
-12	38	5.15264
-11	38	5.13155
-10	38	5.16376
-9	38	5.19688
-8	38	5.20617
-7	38	5.19449
-6	38	5.14411
-5	38	5.13023
-4	38	5.10561
-3	38	5.0904
-2	38	5.08088
-1	38	5.05809
0	38	5.06264
1	38	5.07195
2	38	5.07533
3	38	5.05496
4	38	5.05933
5	38	5.0312
6	38	5.04899
7	38	5.03217
8	38	5.00993
9	38	4.98393
10	38	4.98919
11	38	5.01066
12	38	5.03246
13	38	4.99486
14	38	4.96087
15	38	4.9495
16	38	4.925
17	38	4.89821
18	38	4.87237
19	38	4.82443
20	38	4.76238
21	38	4.66844
22	38	4.56351
23	38	4.37858
24	38	4.22371
25	38	4.04893
26	38	3.84887
27	38	3.58524
28	38	3.2778
29	38	2.95006
30	38	2.5715
31	38	2.15801
32	38	1.71798
33	38	1.2643
34	38	0.779758
35	38	0.242891
36	38	-0.381576
37	38	-0.961989
38	38	-1.46737
39	38	-2.09944
40	38	-2.60262
41	38	-2.92362
42	38	-2.99904
43	38	-2.76942
44	38	-2.26048
45	38	-1.57741
46	38	-0.833037
47	38	-0.0523843
48	38	0.646741
49	38	1.30935
50	38	1.89806
51	38	2.44933
52	38	2.93807
53	38	3.30463
54	38	3.57119
55	38	3.75833
56	38	3.88683
57	38	3.92538
58	38	3.8722
59	38	3.70107
60	38	3.4119
61	38	3.02075
62	38	2.48794
63	38	1.82487
64	38	0.978214
65	38	0.0583636

66	38	-1.24737
67	38	-2.71805
68	38	-4.58412
69	38	-7.2571
70	38	-9.93613
71	38	-10.327
72	38	-8.04381
73	38	-5.52713
74	38	-3.38963
75	38	-1.6323
76	38	-0.228033
77	38	0.886624
78	38	1.71412
79	38	2.33921
80	38	2.81408
81	38	3.09952
82	38	3.18497
83	38	3.1
84	38	2.89562
85	38	2.48938
86	38	1.91321
87	38	1.11624
88	38	0.0190496
89	38	-1.38546
90	38	-3.16096
91	38	-5.4495
92	38	-8.20147
93	38	-10.8953
94	38	-10.4736
95	38	-7.62195
96	38	-4.943
97	38	-2.80912
98	38	-1.18346
99	38	0.0698522
100	38	1.08358
101	38	1.86477
102	38	2.31093
103	38	2.64846
104	38	2.80632
105	38	2.78992
106	38	2.61506
107	38	2.26543
108	38	1.76065
109	38	1.07776
110	38	0.26109
111	38	-0.680122
112	38	-1.89123
113	38	-3.2709
114	38	-4.58364
115	38	-5.46942
116	38	-5.65093
117	38	-4.93096
118	38	-3.69113
119	38	-2.31501
120	38	-1.0588
121	38	0.0430656
122	38	0.95738
123	38	1.69059
124	38	2.27628
125	38	2.73363
126	38	3.06008
127	38	3.27366
128	38	3.39093
129	38	3.41627
130	38	3.32772
131	38	3.15041
132	38	2.88221
133	38	2.51899
134	38	2.08027
135	38	1.54037
136	38	0.92264
137	38	0.229854
138	38	-0.542785
139	38	-1.29346
140	38	-1.95545
141	38	-2.44385
142	38	-2.75379
143	38	-2.77469
144	38	-2.55495
145	38	-2.06885
146	38	-1.43856
147	38	-0.792319
148	38	-0.110668
149	38	0.541608
150	38	1.13291
151	38	1.66517
152	38	2.16926
153	38	2.65436
154	38	3.08021
155	38	3.43104
156	38	3.75995
157	38	4.04717
158	38	4.28326
159	38	4.45814
160	38	4.61395

161	38	4.78273
162	38	4.86269
163	38	4.95514
164	38	5.01222
165	38	5.08821
166	38	5.13298
167	38	5.15597
168	38	5.18376
169	38	5.15768
170	38	5.19222
171	38	5.22138
172	38	5.19793
173	38	5.1851
174	38	5.13839
175	38	5.10719
176	38	5.07803
177	38	5.06406
178	38	5.06173
179	38	5.05875
180	38	5.04189
-180	39	4.50901
-179	39	4.49601
-178	39	4.48985
-177	39	4.47511
-176	39	4.46733
-175	39	4.47029
-174	39	4.51355
-173	39	4.54209
-172	39	4.57625
-171	39	4.59585
-170	39	4.62539
-169	39	4.67623
-168	39	4.704
-167	39	4.73718
-166	39	4.77879
-165	39	4.81909
-164	39	4.85399
-163	39	4.87016
-162	39	4.8745
-161	39	4.8931
-160	39	4.88904
-159	39	4.88481
-158	39	4.87394
-157	39	4.7897
-156	39	4.70621
-155	39	4.56623
-154	39	4.4651
-153	39	4.28757
-152	39	4.08302
-151	39	3.88964
-150	39	3.63773
-149	39	3.34599
-148	39	3.0195
-147	39	2.64345
-146	39	2.20428
-145	39	1.684
-144	39	1.09463
-143	39	0.523018
-142	39	-0.116455
-141	39	-0.871858
-140	39	-1.61994
-139	39	-2.28663
-138	39	-2.94955
-137	39	-3.38157
-136	39	-3.55613
-135	39	-3.30817
-134	39	-2.74736
-133	39	-2.03132
-132	39	-1.18973
-131	39	-0.334547
-130	39	0.491132
-129	39	1.26886
-128	39	1.92105
-127	39	2.48456
-126	39	2.93995
-125	39	3.31485
-124	39	3.581
-123	39	3.75641
-122	39	3.82311
-121	39	3.79488
-120	39	3.67911
-119	39	3.42292
-118	39	3.01414
-117	39	2.44498
-116	39	1.73705
-115	39	0.849276
-114	39	-0.249405
-113	39	-1.65849
-112	39	-3.31262
-111	39	-5.42764
-110	39	-8.12091
-109	39	-10.3637
-108	39	-9.83374
-107	39	-7.30562
-106	39	-4.71795

-105	39	-2.59647
-104	39	-0.968603
-103	39	0.314029
-102	39	1.3183
-101	39	2.06212
-100	39	2.64966
-99	39	2.99617
-98	39	3.14623
-97	39	3.10571
-96	39	2.95894
-95	39	2.61023
-94	39	2.06187
-93	39	1.30076
-92	39	0.293224
-91	39	-1.03985
-90	39	-2.78958
-89	39	-5.182
-88	39	-8.47705
-87	39	-12.525
-86	39	-13.1177
-85	39	-9.32631
-84	39	-5.84443
-83	39	-3.31866
-82	39	-1.5436
-81	39	-0.0824496
-80	39	0.906881
-79	39	1.65045
-78	39	2.20269
-77	39	2.50578
-76	39	2.66982
-75	39	2.63861
-74	39	2.44904
-73	39	2.08712
-72	39	1.52763
-71	39	0.776549
-70	39	-0.218553
-69	39	-1.26302
-68	39	-2.45012
-67	39	-3.7705
-66	39	-4.99264
-65	39	-5.68678
-64	39	-5.48774
-63	39	-4.50359
-62	39	-3.18153
-61	39	-1.82475
-60	39	-0.588663
-59	39	0.445902
-58	39	1.28191
-57	39	1.93257
-56	39	2.42364
-55	39	2.78281
-54	39	3.02969
-53	39	3.16529
-52	39	3.18668
-51	39	3.12258
-50	39	2.961
-49	39	2.69924
-48	39	2.36229
-47	39	1.94653
-46	39	1.41289
-45	39	0.807872
-44	39	0.172577
-43	39	-0.501714
-42	39	-1.16192
-41	39	-1.78508
-40	39	-2.15245
-39	39	-2.43701
-38	39	-2.26399
-37	39	-1.87051
-36	39	-1.41102
-35	39	-0.779409
-34	39	-0.102275
-33	39	0.552649
-32	39	1.16171
-31	39	1.77974
-30	39	2.29605
-29	39	2.73904
-28	39	3.12384
-27	39	3.39559
-26	39	3.69592
-25	39	4.01415
-24	39	4.22671
-23	39	4.43038
-22	39	4.60644
-21	39	4.73899
-20	39	4.79098
-19	39	4.9021
-18	39	4.94163
-17	39	4.97895
-16	39	5.01748
-15	39	5.04033
-14	39	5.03387
-13	39	5.03281
-12	39	5.01107
-11	39	4.96875

-10	39	4.93228
-9	39	4.95044
-8	39	4.91649
-7	39	4.88017
-6	39	4.80333
-5	39	4.76686
-4	39	4.73112
-3	39	4.69026
-2	39	4.65077
-1	39	4.62886
0	39	4.62072
1	39	4.6199
2	39	4.61717
3	39	4.60188
4	39	4.5754
5	39	4.58183
6	39	4.61621
7	39	4.62072
8	39	4.6311
9	39	4.64834
10	39	4.68535
11	39	4.70384
12	39	4.73817
13	39	4.76043
14	39	4.80269
15	39	4.82227
16	39	4.85116
17	39	4.87162
18	39	4.87874
19	39	4.87892
20	39	4.85462
21	39	4.8283
22	39	4.8012
23	39	4.71141
24	39	4.62321
25	39	4.49522
26	39	4.36905
27	39	4.16603
28	39	3.92459
29	39	3.69292
30	39	3.4095
31	39	3.08243
32	39	2.74054
33	39	2.34711
34	39	1.87488
35	39	1.3418
36	39	0.765106
37	39	0.170765
38	39	-0.494132
39	39	-1.22624
40	39	-1.93834
41	39	-2.64125
42	39	-3.16634
43	39	-3.47659
44	39	-3.45413
45	39	-3.08559
46	39	-2.40679
47	39	-1.63569
48	39	-0.789816
49	39	0.0332959
50	39	0.822623
51	39	1.59588
52	39	2.15126
53	39	2.69026
54	39	3.10263
55	39	3.43532
56	39	3.66963
57	39	3.81011
58	39	3.84902
59	39	3.79191
60	39	3.64408
61	39	3.35288
62	39	2.89439
63	39	2.27122
64	39	1.49181
65	39	0.553123
66	39	-0.428735
67	39	-1.86001
68	39	-3.56552
69	39	-5.727
70	39	-8.5828
71	39	-10.8466
72	39	-9.93159
73	39	-7.12998
74	39	-4.45935
75	39	-2.34925
76	39	-0.750865
77	39	0.491398
78	39	1.47523
79	39	2.19833
80	39	2.75758
81	39	3.09754
82	39	3.22363
83	39	3.17121
84	39	3.00167

85	39	2.67427
86	39	2.14471
87	39	1.36388
88	39	0.339294
89	39	-0.980319
90	39	-2.68276
91	39	-4.93361
92	39	-8.04169
93	39	-11.4566
94	39	-11.9443
95	39	-8.90331
96	39	-5.72577
97	39	-3.30459
98	39	-1.55894
99	39	-0.121926
100	39	0.844261
101	39	1.57434
102	39	2.09159
103	39	2.39347
104	39	2.52097
105	39	2.49245
106	39	2.28132
107	39	1.88524
108	39	1.32079
109	39	0.542391
110	39	-0.35674
111	39	-1.38544
112	39	-2.6074
113	39	-3.99487
114	39	-5.24779
115	39	-5.8987
116	39	-5.55605
117	39	-4.47498
118	39	-3.15932
119	39	-1.8069
120	39	-0.598671
121	39	0.411008
122	39	1.24649
123	39	1.88488
124	39	2.38245
125	39	2.74423
126	39	2.98062
127	39	3.08397
128	39	3.1086
129	39	3.03916
130	39	2.87874
131	39	2.592
132	39	2.22542
133	39	1.79128
134	39	1.24548
135	39	0.629799
136	39	-0.0716436
137	39	-0.810548
138	39	-1.52538
139	39	-2.18729
140	39	-2.64899
141	39	-2.8188
142	39	-2.60559
143	39	-2.13868
144	39	-1.54895
145	39	-0.866718
146	39	-0.144876
147	39	0.573089
148	39	1.2367
149	39	1.86539
150	39	2.36237
151	39	2.8143
152	39	3.21443
153	39	3.49343
154	39	3.79253
155	39	4.10167
156	39	4.33225
157	39	4.53904
158	39	4.67934
159	39	4.80874
160	39	4.86931
161	39	4.93079
162	39	4.97972
163	39	5.01689
164	39	5.03541
165	39	5.04678
166	39	5.02345
167	39	5.00845
168	39	4.98472
169	39	4.94795
170	39	4.8932
171	39	4.89815
172	39	4.84317
173	39	4.7981
174	39	4.7178
175	39	4.66417
176	39	4.6182
177	39	4.57185
178	39	4.54225
179	39	4.52385

180	39	4.50901
-180	40	3.73731
-179	40	3.71515
-178	40	3.7018
-177	40	3.69751
-176	40	3.68562
-175	40	3.69685
-174	40	3.76385
-173	40	3.81496
-172	40	3.87386
-171	40	3.91767
-170	40	3.97658
-169	40	4.03807
-168	40	4.11295
-167	40	4.20193
-166	40	4.29939
-165	40	4.38767
-164	40	4.44569
-163	40	4.49452
-162	40	4.5412
-161	40	4.61305
-160	40	4.68487
-159	40	4.7308
-158	40	4.90163
-157	40	4.77013
-156	40	4.74939
-155	40	4.69711
-154	40	4.67393
-153	40	4.5596
-152	40	4.42463
-151	40	4.32249
-150	40	4.15016
-149	40	3.95341
-148	40	3.71765
-147	40	3.4367
-146	40	3.09587
-145	40	2.67853
-144	40	2.19232
-143	40	1.66705
-142	40	1.04834
-141	40	0.332508
-140	40	-0.431942
-139	40	-1.27009
-138	40	-2.0879
-137	40	-2.87418
-136	40	-3.59064
-135	40	-4.01002
-134	40	-4.02319
-133	40	-3.59026
-132	40	-2.8275
-131	40	-1.87823
-130	40	-0.922652
-129	40	-0.00188937
-128	40	0.845623
-127	40	1.58349
-126	40	2.21136
-125	40	2.73207
-124	40	3.14535
-123	40	3.45802
-122	40	3.66261
-121	40	3.71637
-120	40	3.66364
-119	40	3.5015
-118	40	3.22238
-117	40	2.78426
-116	40	2.19689
-115	40	1.4316
-114	40	0.474818
-113	40	-0.776036
-112	40	-2.38864
-111	40	-4.29851
-110	40	-6.81825
-109	40	-9.78019
-108	40	-11.1673
-107	40	-9.14353
-106	40	-6.1585
-105	40	-3.6739
-104	40	-1.75267
-103	40	-0.293454
-102	40	0.846963
-101	40	1.69192
-100	40	2.38214
-99	40	2.827
-98	40	3.01839
-97	40	3.02112
-96	40	2.93578
-95	40	2.61369
-94	40	2.11951
-93	40	1.40313
-92	40	0.436185
-91	40	-0.89226
-90	40	-2.61895
-89	40	-5.1027
-88	40	-8.36547
-87	40	-13.0247

-86	40	-15.0347
-85	40	-10.2525
-84	40	-6.24089
-83	40	-3.5309
-82	40	-1.58252
-81	40	-0.279684
-80	40	0.75574
-79	40	1.48585
-78	40	2.02186
-77	40	2.38604
-76	40	2.50211
-75	40	2.45559
-74	40	2.23121
-73	40	1.79384
-72	40	1.15428
-71	40	0.280739
-70	40	-0.652698
-69	40	-1.75901
-68	40	-3.06701
-67	40	-4.40388
-66	40	-5.46568
-65	40	-5.7912
-64	40	-5.17169
-63	40	-3.97523
-62	40	-2.59443
-61	40	-1.2878
-60	40	-0.178234
-59	40	0.747814
-58	40	1.49148
-57	40	2.07157
-56	40	2.4956
-55	40	2.78692
-54	40	2.96132
-53	40	3.02282
-52	40	2.97623
-51	40	2.81178
-50	40	2.55605
-49	40	2.18648
-48	40	1.74171
-47	40	1.22539
-46	40	0.610052
-45	40	-0.028507
-44	40	-0.682326
-43	40	-1.26061
-42	40	-1.79144
-41	40	-2.14231
-40	40	-2.42553
-39	40	-1.95568
-38	40	-1.46714
-37	40	-0.847953
-36	40	-0.206332
-35	40	0.454474
-34	40	1.07436
-33	40	1.70235
-32	40	2.25129
-31	40	2.75021
-30	40	3.19549
-29	40	3.52172
-28	40	3.78306
-27	40	4.0666
-26	40	4.27209
-25	40	4.40489
-24	40	4.58211
-23	40	4.72813
-22	40	4.80999
-21	40	4.88363
-20	40	4.90822
-19	40	4.90309
-18	40	4.87721
-17	40	4.87008
-16	40	4.85728
-15	40	4.83796
-14	40	4.76929
-13	40	4.69316
-12	40	4.64291
-11	40	4.563
-10	40	4.48441
-9	40	4.44023
-8	40	4.36671
-7	40	4.30961
-6	40	4.20827
-5	40	4.14759
-4	40	4.09042
-3	40	4.0413
-2	40	3.99041
-1	40	3.9344
0	40	3.90873
1	40	3.89463
2	40	3.88947
3	40	3.88348
4	40	3.86331
5	40	3.85873
6	40	3.93134
7	40	3.94928
8	40	3.99405

9	40	4.02034
10	40	4.07239
11	40	4.13728
12	40	4.19556
13	40	4.25421
14	40	4.33521
15	40	4.44429
16	40	4.53401
17	40	4.54892
18	40	4.59188
19	40	4.64437
20	40	4.6931
21	40	4.72097
22	40	4.87063
23	40	4.76654
24	40	4.73415
25	40	4.67644
26	40	4.61202
27	40	4.50065
28	40	4.33443
29	40	4.20873
30	40	4.01557
31	40	3.80062
32	40	3.54051
33	40	3.22992
34	40	2.86094
35	40	2.40882
36	40	1.91616
37	40	1.35454
38	40	0.70741
39	40	-0.0495166
40	40	-0.809885
41	40	-1.63351
42	40	-2.42639
43	40	-3.12444
44	40	-3.68565
45	40	-3.90294
46	40	-3.71389
47	40	-3.15423
48	40	-2.33738
49	40	-1.41852
50	40	-0.547387
51	40	0.38331
52	40	1.13027
53	40	1.83381
54	40	2.42214
55	40	2.85551
56	40	3.23354
57	40	3.53444
58	40	3.73262
59	40	3.7705
60	40	3.67632
61	40	3.46787
62	40	3.1543
63	40	2.68926
64	40	2.06166
65	40	1.26847
66	40	0.376028
67	40	-0.900044
68	40	-2.5684
69	40	-4.5293
70	40	-7.08823
71	40	-10.0957
72	40	-11.2724
73	40	-8.95066
74	40	-5.91129
75	40	-3.43893
76	40	-1.53802
77	40	-0.107129
78	40	1.0133
79	40	1.85795
80	40	2.50886
81	40	2.95379
82	40	3.09947
83	40	3.10898
84	40	3.02696
85	40	2.69213
86	40	2.197
87	40	1.49728
88	40	0.51927
89	40	-0.750718
90	40	-2.43995
91	40	-4.87002
92	40	-7.9849
93	40	-12.1224
94	40	-13.8858
95	40	-9.9522
96	40	-6.23664
97	40	-3.62722
98	40	-1.7088
99	40	-0.396758
100	40	0.639096
101	40	1.35372
102	40	1.87836
103	40	2.23411

104	40	2.33676
105	40	2.2533
106	40	2.02352
107	40	1.60241
108	40	0.914465
109	40	0.111636
110	40	-0.813038
111	40	-1.96479
112	40	-3.31421
113	40	-4.67986
114	40	-5.73685
115	40	-5.99138
116	40	-5.19852
117	40	-3.92832
118	40	-2.54513
119	40	-1.24921
120	40	-0.142177
121	40	0.765807
122	40	1.48228
123	40	2.02486
124	40	2.43195
125	40	2.71207
126	40	2.87442
127	40	2.92067
128	40	2.8583
129	40	2.68948
130	40	2.42394
131	40	2.06568
132	40	1.61619
133	40	1.02778
134	40	0.399168
135	40	-0.259529
136	40	-0.930145
137	40	-1.5477
138	40	-2.0738
139	40	-2.44759
140	40	-2.68172
141	40	-2.11601
142	40	-1.59718
143	40	-0.933087
144	40	-0.195205
145	40	0.509921
146	40	1.13328
147	40	1.77366
148	40	2.35248
149	40	2.85314
150	40	3.29201
151	40	3.62783
152	40	3.90988
153	40	4.20888
154	40	4.39235
155	40	4.54099
156	40	4.72078
157	40	4.83186
158	40	4.89618
159	40	4.96525
160	40	4.97152
161	40	4.94252
162	40	4.90422
163	40	4.88434
164	40	4.84669
165	40	4.80045
166	40	4.72999
167	40	4.64515
168	40	4.57953
169	40	4.47714
170	40	4.39244
171	40	4.34057
172	40	4.24669
173	40	4.16372
174	40	4.05341
175	40	3.97404
176	40	3.89788
177	40	3.83866
178	40	3.7972
179	40	3.75808
180	40	3.73731
-180	41	2.83599
-179	41	2.81128
-178	41	2.78836
-177	41	2.76093
-176	41	2.74963
-175	41	2.77763
-174	41	2.84517
-173	41	2.89918
-172	41	2.96411
-171	41	3.0193
-170	41	3.09869
-169	41	3.20046
-168	41	3.33316
-167	41	3.48132
-166	41	3.61324
-165	41	3.7094
-164	41	3.7703
-163	41	3.85298

-162	41	3.94278
-161	41	4.07702
-160	41	4.21737
-159	41	4.32664
-158	41	4.45512
-157	41	4.52247
-156	41	4.57499
-155	41	4.59356
-154	41	4.64751
-153	41	4.61274
-152	41	4.55494
-151	41	4.53754
-150	41	4.4714
-149	41	4.35944
-148	41	4.20569
-147	41	4.02109
-146	41	3.78519
-145	41	3.48326
-144	41	3.11697
-143	41	2.69062
-142	41	2.17232
-141	41	1.55682
-140	41	0.870355
-139	41	0.0870278
-138	41	-0.815855
-137	41	-1.77103
-136	41	-2.70238
-135	41	-3.57828
-134	41	-4.21608
-133	41	-4.44206
-132	41	-4.16921
-131	41	-3.49763
-130	41	-2.5755
-129	41	-1.55551
-128	41	-0.569735
-127	41	0.367855
-126	41	1.20343
-125	41	1.90572
-124	41	2.46945
-123	41	2.88268
-122	41	3.19396
-121	41	3.39928
-120	41	3.47421
-119	41	3.43602
-118	41	3.27047
-117	41	2.95405
-116	41	2.48012
-115	41	1.8319
-114	41	0.997188
-113	41	-0.0814048
-112	41	-1.51158
-111	41	-3.25078
-110	41	-5.35531
-109	41	-8.32694
-108	41	-11.1211
-107	41	-10.7097
-106	41	-7.74092
-105	41	-4.89529
-104	41	-2.66219
-103	41	-0.971358
-102	41	0.316098
-101	41	1.29919
-100	41	2.05409
-99	41	2.61562
-98	41	2.84576
-97	41	2.89574
-96	41	2.80154
-95	41	2.54438
-94	41	2.10341
-93	41	1.39796
-92	41	0.43914
-91	41	-0.896593
-90	41	-2.78379
-89	41	-5.13732
-88	41	-8.59944
-87	41	-14.0345
-86	41	-16.5185
-85	41	-10.6922
-84	41	-6.29353
-83	41	-3.47725
-82	41	-1.74224
-81	41	-0.362545
-80	41	0.660837
-79	41	1.47962
-78	41	2.00645
-77	41	2.26316
-76	41	2.40933
-75	41	2.33087
-74	41	2.05022
-73	41	1.53973
-72	41	0.793962
-71	41	-0.0218956
-70	41	-1.01288
-69	41	-2.24919
-68	41	-3.6309

-67	41	-4.95678
-66	41	-5.79002
-65	41	-5.72456
-64	41	-4.75008
-63	41	-3.41206
-62	41	-2.00887
-61	41	-0.805324
-60	41	0.231602
-59	41	1.05613
-58	41	1.69644
-57	41	2.20018
-56	41	2.56325
-55	41	2.78471
-54	41	2.87463
-53	41	2.85094
-52	41	2.70138
-51	41	2.45881
-50	41	2.14232
-49	41	1.70633
-48	41	1.18452
-47	41	0.603173
-46	41	-0.0356183
-45	41	-0.689694
-44	41	-1.22902
-43	41	-1.68583
-42	41	-1.90903
-41	41	-1.80873
-40	41	-1.4659
-39	41	-0.922399
-38	41	-0.300889
-37	41	0.332558
-36	41	0.959698
-35	41	1.57867
-34	41	2.17851
-33	41	2.67168
-32	41	3.10532
-31	41	3.52742
-30	41	3.85229
-29	41	4.09601
-28	41	4.29478
-27	41	4.44126
-26	41	4.59932
-25	41	4.72466
-24	41	4.76373
-23	41	4.81415
-22	41	4.81138
-21	41	4.83089
-20	41	4.80669
-19	41	4.76854
-18	41	4.69748
-17	41	4.61114
-16	41	4.54248
-15	41	4.43223
-14	41	4.35132
-13	41	4.23195
-12	41	4.11988
-11	41	3.9946
-10	41	3.90027
-9	41	3.8074
-8	41	3.75657
-7	41	3.59613
-6	41	3.49967
-5	41	3.3935
-4	41	3.30268
-3	41	3.24408
-2	41	3.18311
-1	41	3.11359
0	41	3.09462
1	41	3.06607
2	41	3.03145
3	41	3.0057
4	41	2.98562
5	41	2.99304
6	41	3.05964
7	41	3.08694
8	41	3.14893
9	41	3.20099
10	41	3.25745
11	41	3.33412
12	41	3.43407
13	41	3.55751
14	41	3.68104
15	41	3.79604
16	41	3.88195
17	41	3.96353
18	41	4.03504
19	41	4.14542
20	41	4.25736
21	41	4.3527
22	41	4.48359
23	41	4.54781
24	41	4.60177
25	41	4.61617
26	41	4.61336
27	41	4.5945

28	41	4.51767
29	41	4.47587
30	41	4.37635
31	41	4.23887
32	41	4.05853
33	41	3.85578
34	41	3.59275
35	41	3.26114
36	41	2.88127
37	41	2.41908
38	41	1.8582
39	41	1.24373
40	41	0.51759
41	41	-0.282157
42	41	-1.16319
43	41	-2.08491
44	41	-3.04277
45	41	-3.77184
46	41	-4.23618
47	41	-4.21657
48	41	-3.78268
49	41	-3.09105
50	41	-2.10609
51	41	-1.11297
52	41	-0.186166
53	41	0.706016
54	41	1.4834
55	41	2.13304
56	41	2.66016
57	41	3.04024
58	41	3.31499
59	41	3.48863
60	41	3.52965
61	41	3.46176
62	41	3.26427
63	41	2.91461
64	41	2.40967
65	41	1.7251
66	41	0.862059
67	41	-0.138053
68	41	-1.58639
69	41	-3.33626
70	41	-5.55459
71	41	-8.69907
72	41	-11.5099
73	41	-10.885
74	41	-7.69424
75	41	-4.76227
76	41	-2.54506
77	41	-0.853638
78	41	0.429107
79	41	1.40292
80	41	2.13056
81	41	2.68317
82	41	2.90788
83	41	2.95053
84	41	2.87221
85	41	2.62629
86	41	2.18361
87	41	1.4871
88	41	0.529226
89	41	-0.769207
90	41	-2.59104
91	41	-4.85691
92	41	-8.11546
93	41	-12.971
94	41	-15.7755
95	41	-10.802
96	41	-6.53131
97	41	-3.71523
98	41	-1.97073
99	41	-0.573943
100	41	0.459127
101	41	1.27258
102	41	1.80725
103	41	2.08273
104	41	2.20579
105	41	2.12297
106	41	1.81659
107	41	1.28446
108	41	0.623418
109	41	-0.197366
110	41	-1.22639
111	41	-2.49585
112	41	-3.90404
113	41	-5.19679
114	41	-5.99718
115	41	-5.75618
116	41	-4.6817
117	41	-3.30905
118	41	-1.9047
119	41	-0.717797
120	41	0.271932
121	41	1.10313
122	41	1.74881

123	41	2.21925
124	41	2.53428
125	41	2.72546
126	41	2.80042
127	41	2.75422
128	41	2.61183
129	41	2.36052
130	41	2.01427
131	41	1.56674
132	41	1.03055
133	41	0.434761
134	41	-0.220145
135	41	-0.878635
136	41	-1.43214
137	41	-1.82915
138	41	-2.04938
139	41	-1.93653
140	41	-1.54115
141	41	-0.954237
142	41	-0.300821
143	41	0.409695
144	41	1.0543
145	41	1.71566
146	41	2.32373
147	41	2.81606
148	41	3.25025
149	41	3.67643
150	41	4.01415
151	41	4.23938
152	41	4.41175
153	41	4.57337
154	41	4.74009
155	41	4.86959
156	41	4.88369
157	41	4.88983
158	41	4.90541
159	41	4.92033
160	41	4.86142
161	41	4.7951
162	41	4.72393
163	41	4.60779
164	41	4.51617
165	41	4.40985
166	41	4.2865
167	41	4.13849
168	41	3.9956
169	41	3.86936
170	41	3.73136
171	41	3.63948
172	41	3.56213
173	41	3.38208
174	41	3.26054
175	41	3.16125
176	41	3.06194
177	41	2.98976
178	41	2.91757
179	41	2.87138
180	41	2.83599
-180	42	1.96405
-179	42	1.92224
-178	42	1.90242
-177	42	1.85252
-176	42	1.85275
-175	42	1.87203
-174	42	1.9122
-173	42	1.94691
-172	42	1.99804
-171	42	2.07791
-170	42	2.19252
-169	42	2.34026
-168	42	2.51253
-167	42	2.67211
-166	42	2.79689
-165	42	2.89088
-164	42	2.97835
-163	42	3.09215
-162	42	3.23016
-161	42	3.4215
-160	42	3.57942
-159	42	3.76418
-158	42	3.92907
-157	42	4.05715
-156	42	4.18021
-155	42	4.29763
-154	42	4.40018
-153	42	4.46628
-152	42	4.48709
-151	42	4.57555
-150	42	4.58185
-149	42	4.54528
-148	42	4.47937
-147	42	4.37719
-146	42	4.23315
-145	42	4.02826
-144	42	3.76388

-143	42	3.43316
-142	42	3.04344
-141	42	2.59409
-140	42	2.0322
-139	42	1.38309
-138	42	0.639077
-137	42	-0.219727
-136	42	-1.19477
-135	42	-2.20762
-134	42	-3.19783
-133	42	-4.01832
-132	42	-4.46504
-131	42	-4.46355
-130	42	-3.92925
-129	42	-2.98353
-128	42	-1.95374
-127	42	-0.926294
-126	42	0.0528893
-125	42	0.885606
-124	42	1.58735
-123	42	2.17432
-122	42	2.61229
-121	42	2.93722
-120	42	3.14066
-119	42	3.21543
-118	42	3.14893
-117	42	2.9546
-116	42	2.60359
-115	42	2.08137
-114	42	1.3671
-113	42	0.417274
-112	42	-0.831722
-111	42	-2.42333
-110	42	-4.35795
-109	42	-6.8526
-108	42	-10.0337
-107	42	-11.5347
-106	42	-9.23121
-105	42	-6.15903
-104	42	-3.64676
-103	42	-1.74159
-102	42	-0.257077
-101	42	0.840024
-100	42	1.66364
-99	42	2.33232
-98	42	2.61014
-97	42	2.65742
-96	42	2.6552
-95	42	2.4377
-94	42	1.99498
-93	42	1.33052
-92	42	0.364798
-91	42	-1.03996
-90	42	-2.73141
-89	42	-5.20142
-88	42	-8.89701
-87	42	-15.1044
-86	42	-18.2357
-85	42	-10.7839
-84	42	-6.23803
-83	42	-3.64369
-82	42	-1.78138
-81	42	-0.303028
-80	42	0.769717
-79	42	1.48662
-78	42	1.96602
-77	42	2.27509
-76	42	2.34621
-75	42	2.20033
-74	42	1.85283
-73	42	1.21475
-72	42	0.507323
-71	42	-0.356625
-70	42	-1.41371
-69	42	-2.71879
-68	42	-4.14985
-67	42	-5.37607
-66	42	-5.91471
-65	42	-5.39835
-64	42	-4.17971
-63	42	-2.77451
-62	42	-1.45157
-61	42	-0.319543
-60	42	0.606579
-59	42	1.35159
-58	42	1.92149
-57	42	2.34492
-56	42	2.63952
-55	42	2.79839
-54	42	2.81759
-53	42	2.71378
-52	42	2.50679
-51	42	2.16452
-50	42	1.74123
-49	42	1.24597

-48	42	0.695588
-47	42	0.120437
-46	42	-0.466251
-45	42	-1.03612
-44	42	-1.39928
-43	42	-1.5108
-42	42	-1.36197
-41	42	-0.975219
-40	42	-0.415465
-39	42	0.209505
-38	42	0.835572
-37	42	1.4458
-36	42	1.99596
-35	42	2.51182
-34	42	3.00004
-33	42	3.43431
-32	42	3.80903
-31	42	4.09194
-30	42	4.3431
-29	42	4.49412
-28	42	4.61341
-27	42	4.71883
-26	42	4.78123
-25	42	4.79824
-24	42	4.83052
-23	42	4.76592
-22	42	4.7264
-21	42	4.66126
-20	42	4.58523
-19	42	4.47369
-18	42	4.35584
-17	42	4.23311
-16	42	4.09968
-15	42	3.97563
-14	42	3.82358
-13	42	3.67374
-12	42	3.54728
-11	42	3.38274
-10	42	3.23819
-9	42	3.09925
-8	42	2.97961
-7	42	2.85836
-6	42	2.72923
-5	42	2.61308
-4	42	2.52755
-3	42	2.45201
-2	42	2.39428
-1	42	2.33656
0	42	2.29573
1	42	2.24092
2	42	2.20195
3	42	2.16299
4	42	2.1653
5	42	2.17822
6	42	2.18518
7	42	2.2169
8	42	2.23902
9	42	2.28248
10	42	2.36287
11	42	2.48094
12	42	2.63503
13	42	2.80085
14	42	2.94114
15	42	3.03932
16	42	3.11582
17	42	3.21122
18	42	3.33962
19	42	3.5248
20	42	3.675
21	42	3.84209
22	42	4.01587
23	42	4.14226
24	42	4.25799
25	42	4.36086
26	42	4.43932
27	42	4.49303
28	42	4.50017
29	42	4.52444
30	42	4.51761
31	42	4.47012
32	42	4.39302
33	42	4.274
34	42	4.10367
35	42	3.87501
36	42	3.58426
37	42	3.23861
38	42	2.82969
39	42	2.33131
40	42	1.74518
41	42	1.08571
42	42	0.272982
43	42	-0.627083
44	42	-1.58463
45	42	-2.58446
46	42	-3.64121

47	42	-4.25936
48	42	-4.49628
49	42	-4.29164
50	42	-3.58295
51	42	-2.57829
52	42	-1.48677
53	42	-0.518694
54	42	0.41262
55	42	1.20105
56	42	1.86485
57	42	2.39226
58	42	2.79384
59	42	3.09052
60	42	3.26255
61	42	3.29362
62	42	3.18182
63	42	2.96325
64	42	2.59938
65	42	2.04139
66	42	1.29066
67	42	0.32049
68	42	-0.810682
69	42	-2.4202
70	42	-4.43234
71	42	-7.00513
72	42	-10.3716
73	42	-11.8634
74	42	-9.31438
75	42	-6.16845
76	42	-3.57987
77	42	-1.67598
78	42	-0.215177
79	42	0.89125
80	42	1.71245
81	42	2.36912
82	42	2.65005
83	42	2.7082
84	42	2.70506
85	42	2.48841
86	42	2.05101
87	42	1.39448
88	42	0.420152
89	42	-0.932356
90	42	-2.56645
91	42	-4.93586
92	42	-8.44519
93	42	-14.0809
94	42	-17.8697
95	42	-11.078
96	42	-6.47116
97	42	-3.85628
98	42	-1.97751
99	42	-0.503039
100	42	0.57235
101	42	1.28086
102	42	1.76884
103	42	2.08034
104	42	2.15405
105	42	2.02078
106	42	1.64891
107	42	1.07572
108	42	0.377596
109	42	-0.541542
110	42	-1.59821
111	42	-2.96236
112	42	-4.37724
113	42	-5.53213
114	42	-5.95959
115	42	-5.29239
116	42	-4.01797
117	42	-2.60175
118	42	-1.30299
119	42	-0.179882
120	42	0.710006
121	42	1.43256
122	42	1.99999
123	42	2.38662
124	42	2.64049
125	42	2.78051
126	42	2.77707
127	42	2.66408
128	42	2.41819
129	42	2.07921
130	42	1.65182
131	42	1.15363
132	42	0.591621
133	42	-0.0117249
134	42	-0.611779
135	42	-1.11637
136	42	-1.46321
137	42	-1.52168
138	42	-1.32005
139	42	-0.911633
140	42	-0.372109
141	42	0.288931

142	42	0.950609
143	42	1.57601
144	42	2.16018
145	42	2.67287
146	42	3.14746
147	42	3.5882
148	42	3.96285
149	42	4.25306
150	42	4.51498
151	42	4.66902
152	42	4.76679
153	42	4.84985
154	42	4.90925
155	42	4.92954
156	42	4.93263
157	42	4.84986
158	42	4.81576
159	42	4.7424
160	42	4.63807
161	42	4.50704
162	42	4.38278
163	42	4.22935
164	42	4.06729
165	42	3.91229
166	42	3.76145
167	42	3.57721
168	42	3.37214
169	42	3.19849
170	42	3.02927
171	42	2.85647
172	42	2.73552
173	42	2.59928
174	42	2.45038
175	42	2.33986
176	42	2.21819
177	42	2.13467
178	42	2.05177
179	42	1.99679
180	42	1.96405
-180	43	1.28592
-179	43	1.24243
-178	43	1.21299
-177	43	1.18976
-176	43	1.16248
-175	43	1.16528
-174	43	1.12236
-173	43	1.1391
-172	43	1.18661
-171	43	1.30216
-170	43	1.43337
-169	43	1.5704
-168	43	1.69308
-167	43	1.82075
-166	43	1.92527
-165	43	2.00241
-164	43	2.10688
-163	43	2.22728
-162	43	2.39128
-161	43	2.61156
-160	43	2.80908
-159	43	3.03189
-158	43	3.21825
-157	43	3.42187
-156	43	3.6309
-155	43	3.81307
-154	43	3.97243
-153	43	4.13197
-152	43	4.24093
-151	43	4.40568
-150	43	4.47048
-149	43	4.52137
-148	43	4.53353
-147	43	4.51138
-146	43	4.45082
-145	43	4.34288
-144	43	4.17276
-143	43	3.94762
-142	43	3.67067
-141	43	3.33212
-140	43	2.89128
-139	43	2.37402
-138	43	1.74671
-137	43	1.07901
-136	43	0.251935
-135	43	-0.699205
-134	43	-1.72879
-133	43	-2.77506
-132	43	-3.75476
-131	43	-4.46112
-130	43	-4.64058
-129	43	-4.26171
-128	43	-3.32689
-127	43	-2.1853
-126	43	-1.11625
-125	43	-0.11181

-124	43	0.749252
-123	43	1.46575
-122	43	2.03557
-121	43	2.47647
-120	43	2.79692
-119	43	2.97917
-118	43	2.99556
-117	43	2.89724
-116	43	2.65418
-115	43	2.24643
-114	43	1.643
-113	43	0.813682
-112	43	-0.275324
-111	43	-1.6561
-110	43	-3.49392
-109	43	-5.77308
-108	43	-8.67685
-107	43	-11.3994
-106	43	-10.6308
-105	43	-7.54253
-104	43	-4.70977
-103	43	-2.53284
-102	43	-0.887156
-101	43	0.337532
-100	43	1.26247
-99	43	2.00017
-98	43	2.31058
-97	43	2.46493
-96	43	2.51642
-95	43	2.31165
-94	43	1.90965
-93	43	1.24854
-92	43	0.205797
-91	43	-1.03328
-90	43	-2.91551
-89	43	-5.50188
-88	43	-9.39249
-87	43	-16.3341
-86	43	-18.5077
-85	43	-10.1563
-84	43	-6.09399
-83	43	-3.41861
-82	43	-1.48069
-81	43	-0.125724
-80	43	0.85369
-79	43	1.56665
-78	43	2.03729
-77	43	2.28241
-76	43	2.29612
-75	43	2.09812
-74	43	1.64441
-73	43	1.01383
-72	43	0.255445
-71	43	-0.681594
-70	43	-1.87379
-69	43	-3.2634
-68	43	-4.68701
-67	43	-5.65392
-66	43	-5.86435
-65	43	-4.95318
-64	43	-3.53289
-63	43	-2.118
-62	43	-0.876134
-61	43	0.164319
-60	43	1.02729
-59	43	1.70572
-58	43	2.20471
-57	43	2.56025
-56	43	2.7681
-55	43	2.84085
-54	43	2.79318
-53	43	2.63577
-52	43	2.35513
-51	43	1.96188
-50	43	1.47671
-49	43	0.920249
-48	43	0.329045
-47	43	-0.20544
-46	43	-0.678518
-45	43	-1.03321
-44	43	-1.12992
-43	43	-0.982912
-42	43	-0.623975
-41	43	-0.0800975
-40	43	0.505715
-39	43	1.14848
-38	43	1.74685
-37	43	2.30792
-36	43	2.78443
-35	43	3.23493
-34	43	3.62539
-33	43	3.95674
-32	43	4.2203
-31	43	4.45608
-30	43	4.63577

-29	43	4.73982
-28	43	4.75806
-27	43	4.82001
-26	43	4.80796
-25	43	4.78434
-24	43	4.71503
-23	43	4.65513
-22	43	4.52554
-21	43	4.40331
-20	43	4.26942
-19	43	4.11014
-18	43	3.95548
-17	43	3.78269
-16	43	3.61629
-15	43	3.46516
-14	43	3.29907
-13	43	3.11797
-12	43	2.93705
-11	43	2.77957
-10	43	2.61092
-9	43	2.43921
-8	43	2.19701
-7	43	2.06434
-6	43	1.98848
-5	43	1.92045
-4	43	1.83193
-3	43	1.76615
-2	43	1.67617
-1	43	1.6225
0	43	1.53812
1	43	1.50426
2	43	1.53182
3	43	1.5128
4	43	1.50028
5	43	1.52946
6	43	1.46473
7	43	1.38226
8	43	1.40427
9	43	1.49244
10	43	1.59143
11	43	1.70167
12	43	1.8311
13	43	1.96209
14	43	2.07303
15	43	2.18688
16	43	2.27851
17	43	2.4006
18	43	2.55942
19	43	2.76732
20	43	2.98029
21	43	3.18549
22	43	3.36622
23	43	3.56964
24	43	3.76556
25	43	3.92705
26	43	4.05239
27	43	4.19587
28	43	4.27919
29	43	4.43154
30	43	4.48984
31	43	4.52771
32	43	4.52569
33	43	4.47475
34	43	4.34118
35	43	4.25066
36	43	4.04116
37	43	3.80291
38	43	3.49852
39	43	3.12934
40	43	2.67473
41	43	2.14004
42	43	1.52422
43	43	0.76688
44	43	-0.0901677
45	43	-1.02717
46	43	-2.09428
47	43	-3.15633
48	43	-4.0757
49	43	-4.65932
50	43	-4.61636
51	43	-4.00446
52	43	-2.97411
53	43	-1.78956
54	43	-0.720616
55	43	0.243273
56	43	1.0396
57	43	1.70159
58	43	2.24236
59	43	2.64994
60	43	2.90985
61	43	3.05088
62	43	3.05058
63	43	2.91195
64	43	2.63942
65	43	2.23651

66	43	1.61247
67	43	0.76496
68	43	-0.364801
69	43	-1.62978
70	43	-3.48415
71	43	-5.80875
72	43	-8.83642
73	43	-11.7251
74	43	-10.8421
75	43	-7.63117
76	43	-4.75202
77	43	-2.55086
78	43	-0.887033
79	43	0.346444
80	43	1.2798
81	43	2.00609
82	43	2.33581
83	43	2.49205
84	43	2.54306
85	43	2.33796
86	43	1.93357
87	43	1.29481
88	43	0.259952
89	43	-0.96493
90	43	-2.80069
91	43	-5.32271
92	43	-9.06554
93	43	-15.4697
94	43	-18.5303
95	43	-10.5092
96	43	-6.40452
97	43	-3.66884
98	43	-1.68682
99	43	-0.295595
100	43	0.705431
101	43	1.4165
102	43	1.87728
103	43	2.10258
104	43	2.1401
105	43	1.94385
106	43	1.50773
107	43	0.927185
108	43	0.171457
109	43	-0.738644
110	43	-1.96709
111	43	-3.3513
112	43	-4.74216
113	43	-5.67461
114	43	-5.78221
115	43	-4.82243
116	43	-3.38183
117	43	-1.95756
118	43	-0.731822
119	43	0.284588
120	43	1.11092
121	43	1.79154
122	43	2.24657
123	43	2.56985
124	43	2.78374
125	43	2.82989
126	43	2.76948
127	43	2.59771
128	43	2.31291
129	43	1.92096
130	43	1.43653
131	43	0.880133
132	43	0.316914
133	43	-0.231379
134	43	-0.672573
135	43	-0.998644
136	43	-1.11259
137	43	-0.902546
138	43	-0.485116
139	43	0.0692106
140	43	0.660225
141	43	1.29159
142	43	1.9204
143	43	2.45763
144	43	2.97134
145	43	3.42318
146	43	3.81434
147	43	4.12221
148	43	4.38646
149	43	4.62683
150	43	4.80204
151	43	4.91353
152	43	4.93172
153	43	4.95405
154	43	4.9477
155	43	4.92487
156	43	4.80862
157	43	4.68872
158	43	4.58204
159	43	4.46622
160	43	4.29733

161	43	4.12324
162	43	3.93919
163	43	3.73194
164	43	3.52852
165	43	3.34262
166	43	3.15897
167	43	2.93392
168	43	2.71157
169	43	2.51091
170	43	2.29528
171	43	2.11446
172	43	1.96093
173	43	1.80577
174	43	1.72423
175	43	1.63956
176	43	1.54762
177	43	1.46954
178	43	1.38842
179	43	1.33323
180	43	1.28592
-180	44	0.966488
-179	44	0.92513
-178	44	0.905945
-177	44	0.858268
-176	44	0.829822
-175	44	0.781763
-174	44	0.712147
-173	44	0.694362
-172	44	0.721978
-171	44	0.818555
-170	44	0.874403
-169	44	0.927836
-168	44	0.98024
-167	44	1.05791
-166	44	1.15931
-165	44	1.22553
-164	44	1.30816
-163	44	1.4006
-162	44	1.5593
-161	44	1.75939
-160	44	1.98541
-159	44	2.22388
-158	44	2.41918
-157	44	2.69235
-156	44	2.92999
-155	44	3.16592
-154	44	3.41937
-153	44	3.63329
-152	44	3.83205
-151	44	4.02563
-150	44	4.18594
-149	44	4.3092
-148	44	4.40991
-147	44	4.47559
-146	44	4.49054
-145	44	4.45774
-144	44	4.34858
-143	44	4.22212
-142	44	4.04492
-141	44	3.79293
-140	44	3.48099
-139	44	3.09687
-138	44	2.62938
-137	44	2.03457
-136	44	1.35896
-135	44	0.558866
-134	44	-0.357013
-133	44	-1.36195
-132	44	-2.45248
-131	44	-3.52694
-130	44	-4.32697
-129	44	-4.54309
-128	44	-4.1894
-127	44	-3.367
-126	44	-2.30574
-125	44	-1.20016
-124	44	-0.190943
-123	44	0.669907
-122	44	1.41314
-121	44	1.99849
-120	44	2.43711
-119	44	2.73062
-118	44	2.86609
-117	44	2.86771
-116	44	2.71275
-115	44	2.4118
-114	44	1.90309
-113	44	1.17014
-112	44	0.244809
-111	44	-0.990845
-110	44	-2.62753
-109	44	-4.67409
-108	44	-7.31075
-107	44	-10.4664
-106	44	-11.4799

-105	44	-8.81207
-104	44	-5.79705
-103	44	-3.36206
-102	44	-1.5319
-101	44	-0.156878
-100	44	0.872691
-99	44	1.61124
-98	44	2.09482
-97	44	2.27884
-96	44	2.36522
-95	44	2.17998
-94	44	1.79144
-93	44	1.05967
-92	44	0.139028
-91	44	-1.20995
-90	44	-3.09647
-89	44	-5.75908
-88	44	-9.94493
-87	44	-18.1559
-86	44	-17.2636
-85	44	-10.0223
-84	44	-5.72307
-83	44	-3.0186
-82	44	-1.26857
-81	44	0.056172
-80	44	1.04073
-79	44	1.69099
-78	44	2.08363
-77	44	2.28708
-76	44	2.29984
-75	44	2.0085
-74	44	1.44936
-73	44	0.851144
-72	44	0.0590071
-71	44	-1.01856
-70	44	-2.31711
-69	44	-3.7964
-68	44	-5.17079
-67	44	-5.91719
-66	44	-5.57502
-65	44	-4.3047
-64	44	-2.80562
-63	44	-1.43961
-62	44	-0.290288
-61	44	0.666379
-60	44	1.4379
-59	44	2.05027
-58	44	2.48662
-57	44	2.76685
-56	44	2.89554
-55	44	2.90259
-54	44	2.79756
-53	44	2.56341
-52	44	2.23185
-51	44	1.78424
-50	44	1.2507
-49	44	0.684267
-48	44	0.129339
-47	44	-0.358526
-46	44	-0.723942
-45	44	-0.86035
-44	44	-0.754903
-43	44	-0.408803
-42	44	0.115402
-41	44	0.710017
-40	44	1.31455
-39	44	1.90113
-38	44	2.46345
-37	44	2.94451
-36	44	3.36622
-35	44	3.74802
-34	44	4.05706
-33	44	4.31482
-32	44	4.48742
-31	44	4.61935
-30	44	4.72077
-29	44	4.75679
-28	44	4.7723
-27	44	4.75414
-26	44	4.70323
-25	44	4.57882
-24	44	4.48054
-23	44	4.3331
-22	44	4.14919
-21	44	4.01553
-20	44	3.82531
-19	44	3.61359
-18	44	3.37062
-17	44	3.18162
-16	44	2.98303
-15	44	2.81803
-14	44	2.65467
-13	44	2.46947
-12	44	2.30038
-11	44	2.12882

-10	44	2.00951
-9	44	1.85145
-8	44	1.71509
-7	44	1.60815
-6	44	1.57305
-5	44	1.54025
-4	44	1.47088
-3	44	1.41267
-2	44	1.35905
-1	44	1.30404
0	44	1.26504
1	44	1.18725
2	44	1.18762
3	44	1.18372
4	44	1.1681
5	44	1.13608
6	44	1.03687
7	44	1.02054
8	44	1.05353
9	44	1.10652
10	44	1.15067
11	44	1.20401
12	44	1.26658
13	44	1.28792
14	44	1.37708
15	44	1.46845
16	44	1.55242
17	44	1.67123
18	44	1.78912
19	44	1.98042
20	44	2.17855
21	44	2.4127
22	44	2.62193
23	44	2.9103
24	44	3.14457
25	44	3.34982
26	44	3.55825
27	44	3.79918
28	44	3.93205
29	44	4.12864
30	44	4.27837
31	44	4.37398
32	44	4.44422
33	44	4.48827
34	44	4.50106
35	44	4.43278
36	44	4.30268
37	44	4.15263
38	44	3.96282
39	44	3.68281
40	44	3.34858
41	44	2.90862
42	44	2.45154
43	44	1.83035
44	44	1.11006
45	44	0.294638
46	44	-0.674832
47	44	-1.71826
48	44	-2.85214
49	44	-3.93835
50	44	-4.55953
51	44	-4.56417
52	44	-4.00468
53	44	-3.07896
54	44	-1.9625
55	44	-0.890156
56	44	0.081424
57	44	0.922614
58	44	1.60837
59	44	2.15567
60	44	2.53303
61	44	2.7912
62	44	2.90274
63	44	2.87989
64	44	2.70627
65	44	2.3884
66	44	1.87284
67	44	1.13176
68	44	0.159416
69	44	-0.969334
70	44	-2.60963
71	44	-4.71396
72	44	-7.39198
73	44	-10.5811
74	44	-11.6578
75	44	-8.94298
76	44	-5.85868
77	44	-3.4042
78	44	-1.53984
79	44	-0.137343
80	44	0.886617
81	44	1.61351
82	44	2.11293
83	44	2.29714
84	44	2.38231

85	44	2.20177
86	44	1.80919
87	44	1.09922
88	44	0.19671
89	44	-1.12071
90	44	-2.95966
91	44	-5.5503
92	44	-9.50802
93	44	-16.9828
94	44	-17.3956
95	44	-10.3808
96	44	-6.02021
97	44	-3.24719
98	44	-1.42642
99	44	-0.0691866
100	44	0.890223
101	44	1.53396
102	44	1.95395
103	44	2.14334
104	44	2.14848
105	44	1.88402
106	44	1.41894
107	44	0.83029
108	44	0.015002
109	44	-1.06525
110	44	-2.39811
111	44	-3.7964
112	44	-5.0744
113	44	-5.74806
114	44	-5.39068
115	44	-4.1693
116	44	-2.71535
117	44	-1.34116
118	44	-0.176437
119	44	0.765414
120	44	1.51976
121	44	2.11891
122	44	2.51752
123	44	2.77646
124	44	2.90604
125	44	2.91286
126	44	2.79554
127	44	2.56176
128	44	2.20895
129	44	1.77708
130	44	1.2647
131	44	0.728649
132	44	0.16517
133	44	-0.271992
134	44	-0.585472
135	44	-0.700051
136	44	-0.565136
137	44	-0.238331
138	44	0.271585
139	44	0.873752
140	44	1.47633
141	44	2.06799
142	44	2.61577
143	44	3.11164
144	44	3.53979
145	44	3.92321
146	44	4.23836
147	44	4.48586
148	44	4.65327
149	44	4.78302
150	44	4.88209
151	44	4.90972
152	44	4.90978
153	44	4.8741
154	44	4.81159
155	44	4.68273
156	44	4.54986
157	44	4.38663
158	44	4.19206
159	44	4.02316
160	44	3.78801
161	44	3.56318
162	44	3.35673
163	44	3.13809
164	44	2.91111
165	44	2.70127
166	44	2.48799
167	44	2.2497
168	44	2.06181
169	44	1.86216
170	44	1.69473
171	44	1.50899
172	44	1.37622
173	44	1.2715
174	44	1.2387
175	44	1.17405
176	44	1.12457
177	44	1.07986
178	44	1.03908
179	44	0.99621

180	44	0.966488
-180	45	1.09273
-179	45	1.06039
-178	45	1.05373
-177	45	1.02333
-176	45	0.978847
-175	45	0.929207
-174	45	0.83473
-173	45	0.815452
-172	45	0.773565
-171	45	0.745766
-170	45	0.687161
-169	45	0.627916
-168	45	0.613044
-167	45	0.649753
-166	45	0.669918
-165	45	0.712447
-164	45	0.7283
-163	45	0.778459
-162	45	0.871711
-161	45	1.04404
-160	45	1.24653
-159	45	1.41862
-158	45	1.59518
-157	45	1.88027
-156	45	2.13741
-155	45	2.41215
-154	45	2.69121
-153	45	2.98011
-152	45	3.21558
-151	45	3.4763
-150	45	3.70479
-149	45	3.91551
-148	45	4.10071
-147	45	4.22818
-146	45	4.33859
-145	45	4.39225
-144	45	4.35217
-143	45	4.31636
-142	45	4.23472
-141	45	4.0752
-140	45	3.85734
-139	45	3.55414
-138	45	3.19606
-137	45	2.7453
-136	45	2.16377
-135	45	1.49327
-134	45	0.699877
-133	45	-0.177678
-132	45	-1.15924
-131	45	-2.23148
-130	45	-3.26742
-129	45	-4.08848
-128	45	-4.40206
-127	45	-4.09324
-126	45	-3.28124
-125	45	-2.22919
-124	45	-1.15004
-123	45	-0.159126
-122	45	0.717664
-121	45	1.42729
-120	45	1.98859
-119	45	2.41316
-118	45	2.65467
-117	45	2.75021
-116	45	2.71024
-115	45	2.50331
-114	45	2.09958
-113	45	1.50278
-112	45	0.694535
-111	45	-0.415801
-110	45	-1.86439
-109	45	-3.80551
-108	45	-6.24753
-107	45	-9.31056
-106	45	-11.6659
-105	45	-10.0845
-104	45	-6.89427
-103	45	-4.20251
-102	45	-2.17925
-101	45	-0.656259
-100	45	0.429062
-99	45	1.28797
-98	45	1.8691
-97	45	2.09589
-96	45	2.20266
-95	45	2.05087
-94	45	1.60748
-93	45	0.993834
-92	45	0.0227941
-91	45	-1.32209
-90	45	-3.22438
-89	45	-5.92955
-88	45	-10.2297
-87	45	-17.8693

-86	45	-17.6072
-85	45	-9.55527
-84	45	-5.36562
-83	45	-2.84113
-82	45	-1.02994
-81	45	0.247404
-80	45	1.1565
-79	45	1.72962
-78	45	2.11992
-77	45	2.27239
-76	45	2.1677
-75	45	1.78267
-74	45	1.28373
-73	45	0.606529
-72	45	-0.248743
-71	45	-1.436
-70	45	-2.84724
-69	45	-4.36797
-68	45	-5.51161
-67	45	-5.92394
-66	45	-5.18601
-65	45	-3.65952
-64	45	-2.12097
-63	45	-0.816927
-62	45	0.290485
-61	45	1.16653
-60	45	1.87665
-59	45	2.393
-58	45	2.74379
-57	45	2.93601
-56	45	3.00269
-55	45	2.94476
-54	45	2.76197
-53	45	2.47347
-52	45	2.07968
-51	45	1.58992
-50	45	1.02113
-49	45	0.501533
-48	45	-0.0353632
-47	45	-0.419773
-46	45	-0.605679
-45	45	-0.561015
-44	45	-0.300897
-43	45	0.1291
-42	45	0.712193
-41	45	1.33256
-40	45	1.93789
-39	45	2.49751
-38	45	2.96544
-37	45	3.38478
-36	45	3.74567
-35	45	4.06934
-34	45	4.30411
-33	45	4.48178
-32	45	4.60987
-31	45	4.67125
-30	45	4.67743
-29	45	4.63636
-28	45	4.57117
-27	45	4.52785
-26	45	4.44722
-25	45	4.27979
-24	45	4.02963
-23	45	3.87861
-22	45	3.67505
-21	45	3.45839
-20	45	3.27447
-19	45	3.04023
-18	45	2.84568
-17	45	2.65383
-16	45	2.45013
-15	45	2.27611
-14	45	2.17317
-13	45	2.03514
-12	45	1.8708
-11	45	1.74443
-10	45	1.64746
-9	45	1.51031
-8	45	1.49769
-7	45	1.45582
-6	45	1.49024
-5	45	1.47094
-4	45	1.45307
-3	45	1.44266
-2	45	1.43492
-1	45	1.38128
0	45	1.35388
1	45	1.33023
2	45	1.31859
3	45	1.27823
4	45	1.24435
5	45	1.19367
6	45	1.10438
7	45	1.1086
8	45	1.07668

9	45	1.05877
10	45	1.01768
11	45	0.965244
12	45	0.969621
13	45	1.02425
14	45	1.08137
15	45	1.11648
16	45	1.15464
17	45	1.21528
18	45	1.29262
19	45	1.37859
20	45	1.57344
21	45	1.75559
22	45	1.91153
23	45	2.21789
24	45	2.42509
25	45	2.67233
26	45	2.94019
27	45	3.22704
28	45	3.42926
29	45	3.68257
30	45	3.88463
31	45	4.05498
32	45	4.20938
33	45	4.31584
34	45	4.39835
35	45	4.42497
36	45	4.36469
37	45	4.31644
38	45	4.20618
39	45	4.0322
40	45	3.79399
41	45	3.48952
42	45	3.0985
43	45	2.63644
44	45	2.01194
45	45	1.29745
46	45	0.477271
47	45	-0.441122
48	45	-1.47455
49	45	-2.56967
50	45	-3.55553
51	45	-4.28396
52	45	-4.39083
53	45	-3.87057
54	45	-3.02669
55	45	-1.95462
56	45	-0.902
57	45	0.0866272
58	45	0.907953
59	45	1.57297
60	45	2.08964
61	45	2.46179
62	45	2.69638
63	45	2.77951
64	45	2.69704
65	45	2.47156
66	45	2.05596
67	45	1.4457
68	45	0.609106
69	45	-0.518842
70	45	-1.85654
71	45	-3.82232
72	45	-6.26635
73	45	-9.34755
74	45	-11.696
75	45	-10.1707
76	45	-6.93194
77	45	-4.20596
78	45	-2.16588
79	45	-0.628915
80	45	0.442841
81	45	1.28993
82	45	1.87286
83	45	2.11187
84	45	2.21235
85	45	2.05378
86	45	1.63054
87	45	1.03797
88	45	0.0826402
89	45	-1.23863
90	45	-3.07603
91	45	-5.71621
92	45	-9.88164
93	45	-16.7102
94	45	-17.8423
95	45	-9.866
96	45	-5.60274
97	45	-3.04366
98	45	-1.21139
99	45	0.0654593
100	45	1.00116
101	45	1.60607
102	45	1.99026
103	45	2.14789

104	45	2.04421
105	45	1.7565
106	45	1.27996
107	45	0.627451
108	45	-0.245191
109	45	-1.43932
110	45	-2.80108
111	45	-4.25965
112	45	-5.33028
113	45	-5.65706
114	45	-4.97497
115	45	-3.53953
116	45	-2.05146
117	45	-0.758661
118	45	0.329224
119	45	1.20496
120	45	1.93687
121	45	2.44219
122	45	2.75759
123	45	2.95548
124	45	3.01731
125	45	2.96205
126	45	2.78653
127	45	2.49219
128	45	2.09028
129	45	1.63698
130	45	1.09588
131	45	0.558845
132	45	0.088055
133	45	-0.278573
134	45	-0.442537
135	45	-0.339695
136	45	-0.0636787
137	45	0.362672
138	45	0.901983
139	45	1.50378
140	45	2.08632
141	45	2.62256
142	45	3.10608
143	45	3.53102
144	45	3.88991
145	45	4.21153
146	45	4.46039
147	45	4.62999
148	45	4.7486
149	45	4.79911
150	45	4.78883
151	45	4.74699
152	45	4.6735
153	45	4.61689
154	45	4.51488
155	45	4.32252
156	45	4.1039
157	45	3.92334
158	45	3.7066
159	45	3.44871
160	45	3.22586
161	45	2.95722
162	45	2.70273
163	45	2.47843
164	45	2.25914
165	45	2.02739
166	45	1.87333
167	45	1.68894
168	45	1.52033
169	45	1.37644
170	45	1.28119
171	45	1.1333
172	45	1.08885
173	45	1.0903
174	45	1.12377
175	45	1.12807
176	45	1.16124
177	45	1.12255
178	45	1.12206
179	45	1.12056
180	45	1.09273
-180	46	1.6078
-179	46	1.58169
-178	46	1.57746
-177	46	1.54826
-176	46	1.52458
-175	46	1.49379
-174	46	1.40901
-173	46	1.33389
-172	46	1.20184
-171	46	1.0594
-170	46	0.919749
-169	46	0.824849
-168	46	0.78911
-167	46	0.762846
-166	46	0.699531
-165	46	0.639511
-164	46	0.564952
-163	46	0.5161

-162	46	0.511616
-161	46	0.599536
-160	46	0.678497
-159	46	0.778319
-158	46	0.89099
-157	46	1.12892
-156	46	1.37781
-155	46	1.63832
-154	46	1.91435
-153	46	2.21858
-152	46	2.49793
-151	46	2.8068
-150	46	3.09017
-149	46	3.36712
-148	46	3.60598
-147	46	3.81554
-146	46	4.01335
-145	46	4.12961
-144	46	4.16091
-143	46	4.2265
-142	46	4.23197
-141	46	4.17019
-140	46	4.03856
-139	46	3.84131
-138	46	3.57757
-137	46	3.21384
-136	46	2.73297
-135	46	2.18685
-134	46	1.5931
-133	46	0.80692
-132	46	-0.111914
-131	46	-1.126
-130	46	-2.19647
-129	46	-3.25836
-128	46	-4.06758
-127	46	-4.35638
-126	46	-3.99987
-125	46	-3.15131
-124	46	-2.09312
-123	46	-1.00963
-122	46	-0.0172811
-121	46	0.825895
-120	46	1.49836
-119	46	2.0113
-118	46	2.37275
-117	46	2.57541
-116	46	2.63002
-115	46	2.50921
-114	46	2.19508
-113	46	1.71675
-112	46	1.00511
-111	46	0.0278258
-110	46	-1.26515
-109	46	-2.9964
-108	46	-5.17999
-107	46	-7.88257
-106	46	-10.9389
-105	46	-10.828
-104	46	-7.88158
-103	46	-5.04526
-102	46	-2.76875
-101	46	-1.15191
-100	46	0.0947183
-99	46	1.05789
-98	46	1.67856
-97	46	1.98503
-96	46	2.15754
-95	46	1.99114
-94	46	1.59153
-93	46	0.984439
-92	46	-0.00317659
-91	46	-1.34106
-90	46	-3.24489
-89	46	-6.01439
-88	46	-10.2036
-87	46	-18.825
-86	46	-16.5973
-85	46	-9.14224
-84	46	-5.175
-83	46	-2.65508
-82	46	-0.868622
-81	46	0.352605
-80	46	1.24242
-79	46	1.80738
-78	46	2.14576
-77	46	2.24802
-76	46	2.06385
-75	46	1.66786
-74	46	1.14825
-73	46	0.444706
-72	46	-0.531617
-71	46	-1.79501
-70	46	-3.27
-69	46	-4.71802
-68	46	-5.64714

-67	46	-5.64407
-66	46	-4.51522
-65	46	-2.94427
-64	46	-1.48997
-63	46	-0.216393
-62	46	0.805655
-61	46	1.61708
-60	46	2.21668
-59	46	2.63582
-58	46	2.91857
-57	46	3.06198
-56	46	3.05059
-55	46	2.91601
-54	46	2.66608
-53	46	2.31219
-52	46	1.86639
-51	46	1.33653
-50	46	0.750456
-49	46	0.242028
-48	46	-0.206677
-47	46	-0.452687
-46	46	-0.487419
-45	46	-0.285638
-44	46	0.119407
-43	46	0.653973
-42	46	1.24105
-41	46	1.83574
-40	46	2.39425
-39	46	2.89621
-38	46	3.32754
-37	46	3.69645
-36	46	3.99469
-35	46	4.23836
-34	46	4.41027
-33	46	4.51583
-32	46	4.57927
-31	46	4.58961
-30	46	4.53738
-29	46	4.41697
-28	46	4.28004
-27	46	4.10826
-26	46	4.03045
-25	46	3.87128
-24	46	3.59229
-23	46	3.41523
-22	46	3.20514
-21	46	3.01082
-20	46	2.76783
-19	46	2.55191
-18	46	2.36105
-17	46	2.2268
-16	46	2.07403
-15	46	1.94051
-14	46	1.81894
-13	46	1.75305
-12	46	1.66292
-11	46	1.62111
-10	46	1.63127
-9	46	1.57995
-8	46	1.62039
-7	46	1.66956
-6	46	1.72302
-5	46	1.75206
-4	46	1.78023
-3	46	1.80791
-2	46	1.80129
-1	46	1.80005
0	46	1.78079
1	46	1.76072
2	46	1.74283
3	46	1.70332
4	46	1.67583
5	46	1.65421
6	46	1.59494
7	46	1.55716
8	46	1.46089
9	46	1.33679
10	46	1.2032
11	46	1.10195
12	46	1.07866
13	46	1.07656
14	46	1.06649
15	46	1.03673
16	46	0.99775
17	46	0.985797
18	46	0.987094
19	46	1.08453
20	46	1.17387
21	46	1.28645
22	46	1.41552
23	46	1.63363
24	46	1.76264
25	46	2.01837
26	46	2.27664
27	46	2.55677

28	46	2.81167
29	46	3.09916
30	46	3.354
31	46	3.61585
32	46	3.81569
33	46	3.99011
34	46	4.13905
35	46	4.24699
36	46	4.24268
37	46	4.27725
38	46	4.26618
39	46	4.18303
40	46	4.0407
41	46	3.82996
42	46	3.53195
43	46	3.13683
44	46	2.65038
45	46	2.05699
46	46	1.41909
47	46	0.62916
48	46	-0.343609
49	46	-1.39705
50	46	-2.47299
51	46	-3.45952
52	46	-4.16863
53	46	-4.27096
54	46	-3.80066
55	46	-2.86073
56	46	-1.79451
57	46	-0.753152
58	46	0.185246
59	46	0.978923
60	46	1.61449
61	46	2.10138
62	46	2.44155
63	46	2.62279
64	46	2.64039
65	46	2.49252
66	46	2.16283
67	46	1.6379
68	46	0.922782
69	46	-0.0709735
70	46	-1.36673
71	46	-2.97269
72	46	-5.16973
73	46	-7.93748
74	46	-10.9644
75	46	-10.8693
76	46	-7.88264
77	46	-4.98104
78	46	-2.72609
79	46	-1.11137
80	46	0.114074
81	46	1.07355
82	46	1.67515
83	46	1.9832
84	46	2.15258
85	46	1.99291
86	46	1.61143
87	46	1.02883
88	46	0.0866943
89	46	-1.24034
90	46	-3.08331
91	46	-5.76489
92	46	-9.80471
93	46	-17.709
94	46	-16.921
95	46	-9.42798
96	46	-5.40657
97	46	-2.85946
98	46	-1.04307
99	46	0.179654
100	46	1.06849
101	46	1.64818
102	46	2.01407
103	46	2.13675
104	46	1.96479
105	46	1.62566
106	46	1.12727
107	46	0.449958
108	46	-0.549866
109	46	-1.76574
110	46	-3.19015
111	46	-4.61546
112	46	-5.46853
113	46	-5.42995
114	46	-4.35444
115	46	-2.88088
116	46	-1.46834
117	46	-0.23058
118	46	0.786196
119	46	1.59554
120	46	2.22019
121	46	2.67134
122	46	2.93946

123	46	3.07506
124	46	3.06831
125	46	2.94121
126	46	2.70403
127	46	2.36658
128	46	1.93912
129	46	1.43656
130	46	0.898894
131	46	0.383099
132	46	-0.0265835
133	46	-0.276623
134	46	-0.290829
135	46	-0.0656604
136	46	0.324418
137	46	0.834847
138	46	1.39945
139	46	1.94912
140	46	2.52977
141	46	3.00292
142	46	3.4161
143	46	3.76875
144	46	4.06701
145	46	4.31714
146	46	4.50592
147	46	4.60922
148	46	4.65078
149	46	4.64782
150	46	4.58387
151	46	4.47566
152	46	4.33734
153	46	4.17431
154	46	4.0569
155	46	3.87792
156	46	3.58534
157	46	3.38288
158	46	3.14968
159	46	2.89372
160	46	2.62741
161	46	2.38439
162	46	2.16184
163	46	1.95617
164	46	1.76649
165	46	1.60428
166	46	1.45719
167	46	1.38734
168	46	1.29921
169	46	1.26974
170	46	1.28496
171	46	1.27616
172	46	1.33324
173	46	1.39029
174	46	1.46203
175	46	1.49486
176	46	1.55743
177	46	1.59899
178	46	1.61295
179	46	1.62212
180	46	1.6078
-180	47	2.39545
-179	47	2.39496
-178	47	2.40208
-177	47	2.38749
-176	47	2.38881
-175	47	2.36836
-174	47	2.27954
-173	47	2.14313
-172	47	1.95315
-171	47	1.77079
-170	47	1.62006
-169	47	1.5048
-168	47	1.42645
-167	47	1.32942
-166	47	1.20828
-165	47	1.06186
-164	47	0.905455
-163	47	0.785898
-162	47	0.641004
-161	47	0.582885
-160	47	0.514882
-159	47	0.504109
-158	47	0.526799
-157	47	0.622631
-156	47	0.774271
-155	47	0.974372
-154	47	1.22849
-153	47	1.47909
-152	47	1.76433
-151	47	2.08984
-150	47	2.39174
-149	47	2.70247
-148	47	2.9837
-147	47	3.2669
-146	47	3.54424
-145	47	3.7291
-144	47	3.84222

-143	47	4.00418
-142	47	4.09024
-141	47	4.1159
-140	47	4.06733
-139	47	3.96654
-138	47	3.77026
-137	47	3.50598
-136	47	3.18338
-135	47	2.79442
-134	47	2.20577
-133	47	1.54115
-132	47	0.751467
-131	47	-0.176241
-130	47	-1.23507
-129	47	-2.34275
-128	47	-3.39834
-127	47	-4.16985
-126	47	-4.38955
-125	47	-3.9083
-124	47	-2.99749
-123	47	-1.89725
-122	47	-0.832452
-121	47	0.116258
-120	47	0.937188
-119	47	1.57825
-118	47	2.05223
-117	47	2.35263
-116	47	2.48547
-115	47	2.46423
-114	47	2.24208
-113	47	1.82753
-112	47	1.20551
-111	47	0.341019
-110	47	-0.836784
-109	47	-2.39815
-108	47	-4.48166
-107	47	-7.14239
-106	47	-10.3524
-105	47	-11.5302
-104	47	-8.83414
-103	47	-5.73042
-102	47	-3.30724
-101	47	-1.54902
-100	47	-0.113451
-99	47	0.86251
-98	47	1.5218
-97	47	1.92241
-96	47	2.0956
-95	47	1.95341
-94	47	1.64639
-93	47	0.998735
-92	47	0.0498492
-91	47	-1.28711
-90	47	-3.15969
-89	47	-5.97283
-88	47	-10.0499
-87	47	-19.2844
-86	47	-16.3152
-85	47	-8.99115
-84	47	-5.05804
-83	47	-2.49364
-82	47	-0.819066
-81	47	0.407789
-80	47	1.26438
-79	47	1.81498
-78	47	2.12337
-77	47	2.16105
-76	47	1.91398
-75	47	1.54195
-74	47	0.950273
-73	47	0.183825
-72	47	-0.888438
-71	47	-2.17841
-70	47	-3.6797
-69	47	-5.06762
-68	47	-5.68699
-67	47	-5.24298
-66	47	-3.94434
-65	47	-2.32633
-64	47	-0.912529
-63	47	0.264793
-62	47	1.20841
-61	47	1.9354
-60	47	2.46555
-59	47	2.82499
-58	47	3.03049
-57	47	3.08954
-56	47	3.00879
-55	47	2.80924
-54	47	2.48427
-53	47	2.07081
-52	47	1.58264
-51	47	1.0259
-50	47	0.467308
-49	47	0.00523081

-48	47	-0.353383
-47	47	-0.457371
-46	47	-0.323838
-45	47	0.010556
-44	47	0.510839
-43	47	1.09746
-42	47	1.67397
-41	47	2.22872
-40	47	2.78855
-39	47	3.21839
-38	47	3.59348
-37	47	3.88249
-36	47	4.12295
-35	47	4.30859
-34	47	4.42962
-33	47	4.45952
-32	47	4.4504
-31	47	4.38355
-30	47	4.30027
-29	47	4.14744
-28	47	3.98687
-27	47	3.7693
-26	47	3.5778
-25	47	3.41822
-24	47	3.18744
-23	47	2.96874
-22	47	2.77567
-21	47	2.59124
-20	47	2.40587
-19	47	2.22028
-18	47	2.0719
-17	47	1.96497
-16	47	1.90588
-15	47	1.80875
-14	47	1.78728
-13	47	1.77913
-12	47	1.81075
-11	47	1.85505
-10	47	1.93305
-9	47	2.00313
-8	47	2.10935
-7	47	2.1538
-6	47	2.23787
-5	47	2.30222
-4	47	2.35027
-3	47	2.39856
-2	47	2.42961
-1	47	2.44143
0	47	2.44567
1	47	2.42684
2	47	2.41799
3	47	2.40075
4	47	2.39147
5	47	2.38866
6	47	2.33916
7	47	2.24164
8	47	2.07697
9	47	1.8873
10	47	1.73898
11	47	1.63558
12	47	1.56116
13	47	1.51433
14	47	1.43501
15	47	1.33152
16	47	1.22121
17	47	1.1303
18	47	1.02405
19	47	0.986172
20	47	0.958921
21	47	0.977015
22	47	1.02167
23	47	1.11283
24	47	1.2579
25	47	1.44326
26	47	1.68422
27	47	1.93968
28	47	2.17133
29	47	2.44056
30	47	2.7319
31	47	2.99445
32	47	3.2721
33	47	3.51394
34	47	3.75809
35	47	3.89584
36	47	3.98796
37	47	4.12513
38	47	4.18971
39	47	4.18781
40	47	4.12481
41	47	3.99052
42	47	3.77186
43	47	3.49244
44	47	3.17716
45	47	2.71121
46	47	2.09758

47	47	1.38366
48	47	0.554213
49	47	-0.404139
50	47	-1.47401
51	47	-2.55522
52	47	-3.54548
53	47	-4.18411
54	47	-4.30762
55	47	-3.64674
56	47	-2.69829
57	47	-1.62491
58	47	-0.599276
59	47	0.329189
60	47	1.09845
61	47	1.69991
62	47	2.133
63	47	2.41413
64	47	2.52782
65	47	2.46614
66	47	2.21868
67	47	1.78833
68	47	1.14544
69	47	0.272319
70	47	-0.882724
71	47	-2.36045
72	47	-4.47078
73	47	-7.10613
74	47	-10.3321
75	47	-11.5732
76	47	-8.89669
77	47	-5.74954
78	47	-3.3371
79	47	-1.52751
80	47	-0.124564
81	47	0.833629
82	47	1.49615
83	47	1.90137
84	47	2.09165
85	47	1.96433
86	47	1.66205
87	47	1.04507
88	47	0.122004
89	47	-1.206
90	47	-3.05688
91	47	-5.74828
92	47	-9.76841
93	47	-18.4061
94	47	-16.6876
95	47	-9.29422
96	47	-5.30827
97	47	-2.71451
98	47	-0.985817
99	47	0.248865
100	47	1.12701
101	47	1.69912
102	47	2.01795
103	47	2.0634
104	47	1.88851
105	47	1.52894
106	47	0.967487
107	47	0.201467
108	47	-0.840407
109	47	-2.09177
110	47	-3.55982
111	47	-4.88605
112	47	-5.48057
113	47	-5.08664
114	47	-3.88325
115	47	-2.32429
116	47	-0.942438
117	47	0.231848
118	47	1.17375
119	47	1.90302
120	47	2.43932
121	47	2.80286
122	47	3.00852
123	47	3.08391
124	47	3.02122
125	47	2.84098
126	47	2.53995
127	47	2.15501
128	47	1.67229
129	47	1.16201
130	47	0.657825
131	47	0.223247
132	47	-0.0748481
133	47	-0.176782
134	47	-0.0934584
135	47	0.232701
136	47	0.692736
137	47	1.2246
138	47	1.77131
139	47	2.33048
140	47	2.82775
141	47	3.27001

142	47	3.61666
143	47	3.8932
144	47	4.13419
145	47	4.31978
146	47	4.44556
147	47	4.48825
148	47	4.466
149	47	4.39025
150	47	4.27591
151	47	4.1259
152	47	3.96166
153	47	3.74816
154	47	3.51099
155	47	3.3435
156	47	3.10054
157	47	2.86046
158	47	2.64912
159	47	2.41525
160	47	2.18645
161	47	2.00121
162	47	1.84386
163	47	1.73831
164	47	1.62507
165	47	1.54694
166	47	1.51204
167	47	1.51263
168	47	1.54536
169	47	1.62899
170	47	1.73167
171	47	1.84191
172	47	1.94073
173	47	2.04839
174	47	2.12652
175	47	2.19049
176	47	2.25363
177	47	2.29824
178	47	2.3535
179	47	2.38531
180	47	2.39545
-180	48	3.20441
-179	48	3.20429
-178	48	3.21536
-177	48	3.22515
-176	48	3.24503
-175	48	3.20759
-174	48	3.13215
-173	48	2.98861
-172	48	2.81011
-171	48	2.64563
-170	48	2.53805
-169	48	2.42425
-168	48	2.30861
-167	48	2.20516
-166	48	2.05496
-165	48	1.87189
-164	48	1.67065
-163	48	1.4689
-162	48	1.23273
-161	48	1.02853
-160	48	0.830248
-159	48	0.704009
-158	48	0.566621
-157	48	0.4757
-156	48	0.462806
-155	48	0.538447
-154	48	0.654691
-153	48	0.791903
-152	48	1.10131
-151	48	1.3561
-150	48	1.64576
-149	48	1.95387
-148	48	2.23641
-147	48	2.56206
-146	48	2.90324
-145	48	3.14476
-144	48	3.36689
-143	48	3.62603
-142	48	3.79963
-141	48	3.91319
-140	48	3.94871
-139	48	3.93001
-138	48	3.84862
-137	48	3.71203
-136	48	3.46715
-135	48	3.12342
-134	48	2.6856
-133	48	2.12957
-132	48	1.44293
-131	48	0.61407
-130	48	-0.352015
-129	48	-1.45173
-128	48	-2.63251
-127	48	-3.74489
-126	48	-4.5043
-125	48	-4.59539

-124	48	-3.96304
-123	48	-2.92665
-122	48	-1.78715
-121	48	-0.699296
-120	48	0.261894
-119	48	1.02819
-118	48	1.60229
-117	48	2.02081
-116	48	2.26257
-115	48	2.30313
-114	48	2.16627
-113	48	1.8435
-112	48	1.33169
-111	48	0.547035
-110	48	-0.521309
-109	48	-1.95457
-108	48	-3.90323
-107	48	-6.49051
-106	48	-9.59394
-105	48	-12.0115
-104	48	-9.85489
-103	48	-6.54809
-102	48	-4.01768
-101	48	-1.949
-100	48	-0.444155
-99	48	0.610318
-98	48	1.3023
-97	48	1.80315
-96	48	1.99914
-95	48	1.9353
-94	48	1.63212
-93	48	1.03602
-92	48	0.0984545
-91	48	-1.2391
-90	48	-3.11054
-89	48	-5.74127
-88	48	-10.4213
-87	48	-19.4202
-86	48	-16.0381
-85	48	-8.89541
-84	48	-4.8845
-83	48	-2.50126
-82	48	-0.754735
-81	48	0.476513
-80	48	1.31272
-79	48	1.85884
-78	48	2.12557
-77	48	2.07237
-76	48	1.80171
-75	48	1.40856
-74	48	0.813396
-73	48	-0.0523086
-72	48	-1.17773
-71	48	-2.57264
-70	48	-4.05842
-69	48	-5.29616
-68	48	-5.59751
-67	48	-4.88393
-66	48	-3.41564
-65	48	-1.86458
-64	48	-0.496891
-63	48	0.615207
-62	48	1.49035
-61	48	2.14428
-60	48	2.6242
-59	48	2.91977
-58	48	3.0588
-57	48	3.09413
-56	48	2.90391
-55	48	2.63308
-54	48	2.24848
-53	48	1.76827
-52	48	1.23988
-51	48	0.668601
-50	48	0.128394
-49	48	-0.254691
-48	48	-0.472913
-47	48	-0.402706
-46	48	-0.101269
-45	48	0.378745
-44	48	0.950535
-43	48	1.5427
-42	48	2.11613
-41	48	2.64208
-40	48	3.12726
-39	48	3.52328
-38	48	3.81196
-37	48	4.05036
-36	48	4.20928
-35	48	4.32048
-34	48	4.37336
-33	48	4.34528
-32	48	4.29966
-31	48	4.16653
-30	48	4.02938

-29	48	3.84497
-28	48	3.67837
-27	48	3.47217
-26	48	3.19613
-25	48	2.99883
-24	48	2.80577
-23	48	2.6405
-22	48	2.48436
-21	48	2.34067
-20	48	2.20287
-19	48	2.11905
-18	48	2.06643
-17	48	2.01599
-16	48	2.02451
-15	48	2.04022
-14	48	2.08729
-13	48	2.16245
-12	48	2.26292
-11	48	2.38352
-10	48	2.51332
-9	48	2.63356
-8	48	2.75789
-7	48	2.83275
-6	48	2.9077
-5	48	2.97227
-4	48	3.0372
-3	48	3.08783
-2	48	3.1282
-1	48	3.15001
0	48	3.16613
1	48	3.15399
2	48	3.15161
3	48	3.15886
4	48	3.1799
5	48	3.17693
6	48	3.12766
7	48	3.0037
8	48	2.84345
9	48	2.66959
10	48	2.53336
11	48	2.40962
12	48	2.30904
13	48	2.20096
14	48	2.07923
15	48	1.93834
16	48	1.77982
17	48	1.59924
18	48	1.38908
19	48	1.24206
20	48	1.10262
21	48	1.00274
22	48	0.912064
23	48	0.861182
24	48	0.878049
25	48	0.954377
26	48	1.10454
27	48	1.29074
28	48	1.54245
29	48	1.77296
30	48	2.05459
31	48	2.29048
32	48	2.58785
33	48	2.8758
34	48	3.19407
35	48	3.4111
36	48	3.60098
37	48	3.81762
38	48	3.9614
39	48	4.04527
40	48	4.05425
41	48	3.99604
42	48	3.88782
43	48	3.71872
44	48	3.45918
45	48	3.0721
46	48	2.61181
47	48	2.0294
48	48	1.30399
49	48	0.422847
50	48	-0.591271
51	48	-1.66895
52	48	-2.84375
53	48	-3.85581
54	48	-4.44915
55	48	-4.37866
56	48	-3.68711
57	48	-2.64676
58	48	-1.52933
59	48	-0.482745
60	48	0.412051
61	48	1.14949
62	48	1.7006
63	48	2.08103
64	48	2.28978
65	48	2.32545

66	48	2.15747
67	48	1.81591
68	48	1.29512
69	48	0.524102
70	48	-0.567485
71	48	-2.01672
72	48	-3.82806
73	48	-6.41162
74	48	-9.46206
75	48	-11.9097
76	48	-9.92276
77	48	-6.64865
78	48	-4.06799
79	48	-1.99817
80	48	-0.475915
81	48	0.588836
82	48	1.28104
83	48	1.77974
84	48	1.98531
85	48	1.93067
86	48	1.636
87	48	1.05138
88	48	0.145205
89	48	-1.17431
90	48	-3.0347
91	48	-5.58066
92	48	-10.1062
93	48	-18.45
94	48	-16.5334
95	48	-9.22366
96	48	-5.09913
97	48	-2.66558
98	48	-0.891899
99	48	0.3481
100	48	1.18383
101	48	1.75134
102	48	2.03239
103	48	2.00164
104	48	1.80338
105	48	1.43701
106	48	0.841228
107	48	-0.0220905
108	48	-1.10643
109	48	-2.4332
110	48	-3.98998
111	48	-5.11142
112	48	-5.43783
113	48	-4.69733
114	48	-3.3115
115	48	-1.83348
116	48	-0.516253
117	48	0.570153
118	48	1.44586
119	48	2.10861
120	48	2.57875
121	48	2.88922
122	48	3.04072
123	48	3.06073
124	48	2.94449
125	48	2.69517
126	48	2.32438
127	48	1.8595
128	48	1.34397
129	48	0.803738
130	48	0.301303
131	48	-0.0812952
132	48	-0.276842
133	48	-0.265667
134	48	0.00155485
135	48	0.451952
136	48	0.991572
137	48	1.54528
138	48	2.09316
139	48	2.63719
140	48	3.1245
141	48	3.52012
142	48	3.82317
143	48	4.04176
144	48	4.2081
145	48	4.30803
146	48	4.36223
147	48	4.3487
148	48	4.27871
149	48	4.15679
150	48	3.99073
151	48	3.80856
152	48	3.66367
153	48	3.44499
154	48	3.13165
155	48	2.89321
156	48	2.73216
157	48	2.54247
158	48	2.33492
159	48	2.15872
160	48	2.02792

161	48	1.95066
162	48	1.89099
163	48	1.83739
164	48	1.85762
165	48	1.91087
166	48	1.98173
167	48	2.05194
168	48	2.15269
169	48	2.33032
170	48	2.48651
171	48	2.6437
172	48	2.76653
173	48	2.87556
174	48	2.89148
175	48	2.96631
176	48	3.02638
177	48	3.06535
178	48	3.12724
179	48	3.17453
180	48	3.20441
-180	49	3.94271
-179	49	3.94759
-178	49	3.96856
-177	49	4.00636
-176	49	4.00125
-175	49	3.92253
-174	49	3.85682
-173	49	3.74072
-172	49	3.6295
-171	49	3.49715
-170	49	3.39682
-169	49	3.28035
-168	49	3.14587
-167	49	3.00371
-166	49	2.84854
-165	49	2.65101
-164	49	2.4409
-163	49	2.23456
-162	49	1.96887
-161	49	1.72953
-160	49	1.493
-159	49	1.27097
-158	49	1.04412
-157	49	0.802108
-156	49	0.66224
-155	49	0.566504
-154	49	0.517443
-153	49	0.458179
-152	49	0.667832
-151	49	0.761038
-150	49	0.964216
-149	49	1.22571
-148	49	1.54009
-147	49	1.88335
-146	49	2.26114
-145	49	2.55826
-144	49	2.84644
-143	49	3.15501
-142	49	3.40559
-141	49	3.61357
-140	49	3.76491
-139	49	3.86321
-138	49	3.86983
-137	49	3.79767
-136	49	3.66219
-135	49	3.45298
-134	49	3.1139
-133	49	2.67164
-132	49	2.11991
-131	49	1.40185
-130	49	0.570385
-129	49	-0.437757
-128	49	-1.59888
-127	49	-2.82892
-126	49	-3.97798
-125	49	-4.72656
-124	49	-4.72412
-123	49	-3.96137
-122	49	-2.84145
-121	49	-1.65518
-120	49	-0.549232
-119	49	0.359139
-118	49	1.07614
-117	49	1.61341
-116	49	1.9675
-115	49	2.12215
-114	49	2.0709
-113	49	1.82601
-112	49	1.40412
-111	49	0.734889
-110	49	-0.207463
-109	49	-1.52727
-108	49	-3.31973
-107	49	-5.80376
-106	49	-9.04861

-105	49	-12.564
-104	49	-11.5227
-103	49	-7.83647
-102	49	-4.85941
-101	49	-2.52101
-100	49	-0.91052
-99	49	0.261421
-98	49	1.02721
-97	49	1.60796
-96	49	1.88204
-95	49	1.85201
-94	49	1.57234
-93	49	0.988582
-92	49	0.0464981
-91	49	-1.26103
-90	49	-3.15292
-89	49	-5.84828
-88	49	-10.5308
-87	49	-20.0775
-86	49	-15.9702
-85	49	-8.49875
-84	49	-4.82866
-83	49	-2.43748
-82	49	-0.656521
-81	49	0.531456
-80	49	1.36623
-79	49	1.87984
-78	49	2.0916
-77	49	1.9908
-76	49	1.74288
-75	49	1.29314
-74	49	0.644448
-73	49	-0.296595
-72	49	-1.51422
-71	49	-2.97484
-70	49	-4.44783
-69	49	-5.55562
-68	49	-5.56855
-67	49	-4.50181
-66	49	-2.97516
-65	49	-1.43279
-64	49	-0.126077
-63	49	0.876241
-62	49	1.70665
-61	49	2.3038
-60	49	2.71343
-59	49	2.95091
-58	49	3.03679
-57	49	2.96923
-56	49	2.75713
-55	49	2.41756
-54	49	1.96899
-53	49	1.42889
-52	49	0.851985
-51	49	0.306755
-50	49	-0.170165
-49	49	-0.424097
-48	49	-0.443423
-47	49	-0.167614
-46	49	0.279298
-45	49	0.834871
-44	49	1.43543
-43	49	1.99183
-42	49	2.56091
-41	49	3.0371
-40	49	3.45139
-39	49	3.79938
-38	49	4.01457
-37	49	4.17891
-36	49	4.2807
-35	49	4.33536
-34	49	4.31382
-33	49	4.2446
-32	49	4.12068
-31	49	3.96529
-30	49	3.78446
-29	49	3.5922
-28	49	3.38173
-27	49	3.2088
-26	49	2.99389
-25	49	2.79932
-24	49	2.59836
-23	49	2.4793
-22	49	2.40922
-21	49	2.30606
-20	49	2.23736
-19	49	2.2539
-18	49	2.26652
-17	49	2.36555
-16	49	2.35761
-15	49	2.47962
-14	49	2.58349
-13	49	2.70407
-12	49	2.87118
-11	49	2.99134

-10	49	3.11253
-9	49	3.29333
-8	49	3.39742
-7	49	3.49811
-6	49	3.5105
-5	49	3.6123
-4	49	3.69428
-3	49	3.75424
-2	49	3.80515
-1	49	3.84388
0	49	3.84305
1	49	3.84064
2	49	3.83251
3	49	3.8536
4	49	3.87641
5	49	3.82939
6	49	3.7829
7	49	3.68898
8	49	3.56602
9	49	3.4195
10	49	3.3097
11	49	3.18644
12	49	3.05937
13	49	2.93449
14	49	2.80655
15	49	2.63662
16	49	2.43237
17	49	2.23705
18	49	2.00185
19	49	1.78592
20	49	1.58284
21	49	1.38975
22	49	1.18456
23	49	0.986103
24	49	0.859682
25	49	0.782769
26	49	0.815588
27	49	0.880053
28	49	1.04315
29	49	1.16806
30	49	1.38914
31	49	1.63937
32	49	1.9435
33	49	2.26334
34	49	2.60283
35	49	2.85941
36	49	3.11316
37	49	3.41894
38	49	3.62967
39	49	3.79932
40	49	3.90518
41	49	3.97673
42	49	3.9626
43	49	3.86528
44	49	3.69439
45	49	3.43265
46	49	3.08456
47	49	2.59825
48	49	2.00605
49	49	1.28948
50	49	0.392926
51	49	-0.642891
52	49	-1.78097
53	49	-2.95442
54	49	-4.03975
55	49	-4.62637
56	49	-4.58062
57	49	-3.7784
58	49	-2.58811
59	49	-1.45014
60	49	-0.411811
61	49	0.465531
62	49	1.15995
63	49	1.70817
64	49	1.98831
65	49	2.11656
66	49	2.06424
67	49	1.82249
68	49	1.39858
69	49	0.698946
70	49	-0.274045
71	49	-1.61754
72	49	-3.29178
73	49	-5.7288
74	49	-8.95513
75	49	-12.4962
76	49	-11.64
77	49	-7.97092
78	49	-4.93672
79	49	-2.59932
80	49	-0.941841
81	49	0.253176
82	49	0.982205
83	49	1.56378
84	49	1.86979

85	49	1.84261
86	49	1.54723
87	49	0.992877
88	49	0.0761672
89	49	-1.2053
90	49	-3.07167
91	49	-5.77826
92	49	-10.266
93	49	-19.1232
94	49	-16.4073
95	49	-8.81108
96	49	-5.06153
97	49	-2.62222
98	49	-0.808652
99	49	0.414739
100	49	1.2554
101	49	1.78096
102	49	1.99191
103	49	1.99622
104	49	1.76478
105	49	1.35337
106	49	0.709056
107	49	-0.233554
108	49	-1.41777
109	49	-2.83647
110	49	-4.29746
111	49	-5.3746
112	49	-5.37925
113	49	-4.37246
114	49	-2.88787
115	49	-1.4259
116	49	-0.163792
117	49	0.86868
118	49	1.69143
119	49	2.30345
120	49	2.72
121	49	2.95475
122	49	3.03167
123	49	2.97112
124	49	2.78363
125	49	2.4767
126	49	2.06479
127	49	1.58543
128	49	1.01583
129	49	0.490449
130	49	0.0228643
131	49	-0.253186
132	49	-0.302771
133	49	-0.0977161
134	49	0.311284
135	49	0.861053
136	49	1.43474
137	49	1.99005
138	49	2.53274
139	49	2.99089
140	49	3.41033
141	49	3.75696
142	49	3.99797
143	49	4.15903
144	49	4.27151
145	49	4.32918
146	49	4.32332
147	49	4.2852
148	49	4.13573
149	49	3.95309
150	49	3.77579
151	49	3.55929
152	49	3.37336
153	49	3.18714
154	49	2.97097
155	49	2.70809
156	49	2.54264
157	49	2.43587
158	49	2.31395
159	49	2.18362
160	49	2.15324
161	49	2.17212
162	49	2.21564
163	49	2.30641
164	49	2.36294
165	49	2.5019
166	49	2.5967
167	49	2.72654
168	49	2.88443
169	49	3.02845
170	49	3.18461
171	49	3.34384
172	49	3.45784
173	49	3.56002
174	49	3.62049
175	49	3.69359
176	49	3.75638
177	49	3.81217
178	49	3.87236
179	49	3.91685

180	49	3.94271
-180	50	4.42203
-179	50	4.42313
-178	50	4.44116
-177	50	4.4476
-176	50	4.39508
-175	50	4.38509
-174	50	4.36638
-173	50	4.33091
-172	50	4.26007
-171	50	4.16453
-170	50	4.07255
-169	50	3.97043
-168	50	3.86214
-167	50	3.73635
-166	50	3.58801
-165	50	3.4035
-164	50	3.21731
-163	50	3.01656
-162	50	2.79836
-161	50	2.55989
-160	50	2.30738
-159	50	2.03592
-158	50	1.79826
-157	50	1.54436
-156	50	1.2846
-155	50	1.05781
-154	50	0.899852
-153	50	0.649368
-152	50	0.680491
-151	50	0.609069
-150	50	0.656951
-149	50	0.802415
-148	50	1.01999
-147	50	1.32064
-146	50	1.656
-145	50	1.96056
-144	50	2.28808
-143	50	2.65849
-142	50	2.97828
-141	50	3.27613
-140	50	3.48579
-139	50	3.64389
-138	50	3.74714
-137	50	3.78586
-136	50	3.79452
-135	50	3.60526
-134	50	3.37098
-133	50	3.05072
-132	50	2.60429
-131	50	2.04912
-130	50	1.32964
-129	50	0.447425
-128	50	-0.59624
-127	50	-1.76649
-126	50	-3.03562
-125	50	-4.1419
-124	50	-4.76516
-123	50	-4.59025
-122	50	-3.70169
-121	50	-2.56302
-120	50	-1.37418
-119	50	-0.333253
-118	50	0.528144
-117	50	1.19624
-116	50	1.65534
-115	50	1.92865
-114	50	1.98065
-113	50	1.85779
-112	50	1.52421
-111	50	0.959828
-110	50	0.115648
-109	50	-1.06229
-108	50	-2.67042
-107	50	-4.89516
-106	50	-7.95905
-105	50	-11.7526
-104	50	-13.1402
-103	50	-9.26132
-102	50	-5.81939
-101	50	-3.35406
-100	50	-1.55436
-99	50	-0.222826
-98	50	0.597671
-97	50	1.28367
-96	50	1.61153
-95	50	1.58031
-94	50	1.33157
-93	50	0.765291
-92	50	-0.147843
-91	50	-1.45272
-90	50	-3.34071
-89	50	-6.41198
-88	50	-11.2019
-87	50	-22.402

-86	50	-15.0346
-85	50	-7.93858
-84	50	-4.56859
-83	50	-2.18382
-82	50	-0.482172
-81	50	0.666413
-80	50	1.46643
-79	50	1.9407
-78	50	2.00213
-77	50	1.9486
-76	50	1.68753
-75	50	1.20874
-74	50	0.455606
-73	50	-0.560528
-72	50	-1.83757
-71	50	-3.33714
-70	50	-4.81303
-69	50	-5.77328
-68	50	-5.43544
-67	50	-4.07021
-66	50	-2.51454
-65	50	-1.01724
-64	50	0.229978
-63	50	1.22057
-62	50	2.12279
-61	50	2.49434
-60	50	2.84628
-59	50	2.99869
-58	50	3.01424
-57	50	2.88171
-56	50	2.60564
-55	50	2.20713
-54	50	1.71913
-53	50	1.1614
-52	50	0.564545
-51	50	0.0761829
-50	50	-0.275896
-49	50	-0.411068
-48	50	-0.249855
-47	50	0.185173
-46	50	0.747442
-45	50	1.36917
-44	50	1.96073
-43	50	2.49586
-42	50	2.9751
-41	50	3.42176
-40	50	3.75973
-39	50	4.02814
-38	50	4.1991
-37	50	4.27461
-36	50	4.33564
-35	50	4.3289
-34	50	4.2584
-33	50	4.12913
-32	50	3.98203
-31	50	3.76976
-30	50	3.5788
-29	50	3.39166
-28	50	3.21154
-27	50	3.03763
-26	50	2.84705
-25	50	2.70292
-24	50	2.59374
-23	50	2.43911
-22	50	2.4386
-21	50	2.41133
-20	50	2.43285
-19	50	2.50855
-18	50	2.56451
-17	50	2.71687
-16	50	2.83307
-15	50	2.9506
-14	50	3.09903
-13	50	3.22939
-12	50	3.38709
-11	50	3.53754
-10	50	3.66887
-9	50	3.82377
-8	50	3.90395
-7	50	3.97512
-6	50	4.01606
-5	50	4.10306
-4	50	4.15796
-3	50	4.22018
-2	50	4.27633
-1	50	4.30163
0	50	4.30636
1	50	4.29433
2	50	4.29674
3	50	4.33666
4	50	4.31815
5	50	4.27703
6	50	4.27518
7	50	4.2356
8	50	4.17212

9	50	4.0731
10	50	3.97751
11	50	3.86429
12	50	3.75115
13	50	3.64843
14	50	3.52825
15	50	3.35882
16	50	3.15983
17	50	2.98527
18	50	2.74821
19	50	2.53492
20	50	2.3088
21	50	2.05046
22	50	1.81827
23	50	1.54169
24	50	1.31733
25	50	1.12695
26	50	1.00733
27	50	0.918266
28	50	0.938058
29	50	0.905881
30	50	0.987784
31	50	1.1825
32	50	1.40241
33	50	1.69245
34	50	2.02273
35	50	2.331
36	50	2.60697
37	50	2.95581
38	50	3.24278
39	50	3.50235
40	50	3.69607
41	50	3.81715
42	50	3.89122
43	50	3.90174
44	50	3.87748
45	50	3.64315
46	50	3.39626
47	50	3.04447
48	50	2.5725
49	50	1.95758
50	50	1.21016
51	50	0.33217
52	50	-0.70775
53	50	-1.87688
54	50	-3.06519
55	50	-4.06161
56	50	-4.57558
57	50	-4.32984
58	50	-3.46657
59	50	-2.38513
60	50	-1.22659
61	50	-0.227275
62	50	0.612716
63	50	1.23426
64	50	1.66269
65	50	1.92136
66	50	1.97416
67	50	1.85474
68	50	1.5147
69	50	0.937734
70	50	0.0835041
71	50	-1.10832
72	50	-2.7526
73	50	-4.85215
74	50	-7.87282
75	50	-11.6424
76	50	-13.2707
77	50	-9.52642
78	50	-6.02755
79	50	-3.48014
80	50	-1.62608
81	50	-0.288628
82	50	0.542512
83	50	1.22975
84	50	1.57233
85	50	1.558
86	50	1.36115
87	50	0.783922
88	50	-0.140311
89	50	-1.43666
90	50	-3.30384
91	50	-6.27688
92	50	-10.8184
93	50	-20.7149
94	50	-15.6573
95	50	-8.27384
96	50	-4.82059
97	50	-2.38384
98	50	-0.641078
99	50	0.551073
100	50	1.3853
101	50	1.88385
102	50	2.01479
103	50	1.97391

104	50	1.7292
105	50	1.26845
106	50	0.515214
107	50	-0.488527
108	50	-1.75003
109	50	-3.21679
110	50	-4.62541
111	50	-5.5858
112	50	-5.25717
113	50	-4.01588
114	50	-2.46627
115	50	-1.01737
116	50	0.194836
117	50	1.16419
118	50	2.088
119	50	2.49279
120	50	2.84739
121	50	3.00186
122	50	3.01525
123	50	2.89687
124	50	2.64962
125	50	2.28647
126	50	1.82085
127	50	1.25999
128	50	0.745412
129	50	0.225997
130	50	-0.129196
131	50	-0.291296
132	50	-0.191218
133	50	0.182373
134	50	0.705032
135	50	1.33443
136	50	1.93393
137	50	2.47751
138	50	2.92125
139	50	3.3183
140	50	3.69037
141	50	3.96105
142	50	4.14732
143	50	4.27189
144	50	4.33343
145	50	4.33921
146	50	4.28189
147	50	4.175
148	50	4.01045
149	50	3.78974
150	50	3.59623
151	50	3.40705
152	50	3.18872
153	50	3.02649
154	50	2.86349
155	50	2.68608
156	50	2.58525
157	50	2.48041
158	50	2.43609
159	50	2.43038
160	50	2.41496
161	50	2.51236
162	50	2.62892
163	50	2.7458
164	50	2.88716
165	50	3.01685
166	50	3.17238
167	50	3.30732
168	50	3.46725
169	50	3.61023
170	50	3.75401
171	50	3.91098
172	50	4.00865
173	50	4.08163
174	50	4.12286
175	50	4.18962
176	50	4.24171
177	50	4.28966
178	50	4.34516
179	50	4.39396
180	50	4.42203
-180	51	4.67176
-179	51	4.70378
-178	51	4.71783
-177	51	4.70567
-176	51	4.67949
-175	51	4.67096
-174	51	4.69695
-173	51	4.70429
-172	51	4.6703
-171	51	4.59446
-170	51	4.52775
-169	51	4.44596
-168	51	4.34582
-167	51	4.23848
-166	51	4.11499
-165	51	3.96166
-164	51	3.82158
-163	51	3.67246

-162	51	3.46843
-161	51	3.25625
-160	51	3.02912
-159	51	2.74801
-158	51	2.52331
-157	51	2.22711
-156	51	1.95793
-155	51	1.67416
-154	51	1.41571
-153	51	1.14547
-152	51	1.04901
-151	51	0.845045
-150	51	0.763084
-149	51	0.693168
-148	51	0.761557
-147	51	0.953631
-146	51	1.18671
-145	51	1.45631
-144	51	1.77506
-143	51	2.15026
-142	51	2.53084
-141	51	2.8374
-140	51	3.12691
-139	51	3.37842
-138	51	3.55933
-137	51	3.65288
-136	51	3.68719
-135	51	3.66331
-134	51	3.52712
-133	51	3.30278
-132	51	2.97832
-131	51	2.5194
-130	51	1.93338
-129	51	1.18196
-128	51	0.260274
-127	51	-0.80296
-126	51	-2.02
-125	51	-3.25739
-124	51	-4.29359
-123	51	-4.71998
-122	51	-4.34911
-121	51	-3.39396
-120	51	-2.21471
-119	51	-1.09305
-118	51	-0.114568
-117	51	0.673634
-116	51	1.25331
-115	51	1.64033
-114	51	1.82032
-113	51	1.79662
-112	51	1.56705
-111	51	1.10251
-110	51	0.376805
-109	51	-0.678453
-108	51	-2.13793
-107	51	-4.1025
-106	51	-6.83621
-105	51	-10.4438
-104	51	-13.2848
-103	51	-10.5788
-102	51	-6.95081
-101	51	-4.24208
-100	51	-2.20901
-99	51	-0.733593
-98	51	0.16041
-97	51	0.962681
-96	51	1.29162
-95	51	1.30321
-94	51	1.08234
-93	51	0.501932
-92	51	-0.400149
-91	51	-1.81029
-90	51	-3.77737
-89	51	-6.93341
-88	51	-12.2696
-87	51	-24.4827
-86	51	-13.1678
-85	51	-7.39765
-84	51	-4.12843
-83	51	-1.84665
-82	51	-0.233757
-81	51	0.859265
-80	51	1.6253
-79	51	2.01469
-78	51	2.08598
-77	51	1.99031
-76	51	1.66275
-75	51	1.11001
-74	51	0.292737
-73	51	-0.809585
-72	51	-2.1784
-71	51	-3.78097
-70	51	-5.2834
-69	51	-5.89104
-68	51	-5.18602

-67	51	-3.6042
-66	51	-1.99709
-65	51	-0.550056
-64	51	0.626444
-63	51	1.53373
-62	51	2.22188
-61	51	2.68085
-60	51	2.9423
-59	51	3.03933
-58	51	3.00023
-57	51	2.82507
-56	51	2.50404
-55	51	2.06879
-54	51	1.54312
-53	51	0.969384
-52	51	0.406457
-51	51	-0.0466964
-50	51	-0.268823
-49	51	-0.225091
-48	51	0.0772348
-47	51	0.587066
-46	51	1.20357
-45	51	1.8281
-44	51	2.43471
-43	51	2.93864
-42	51	3.34785
-41	51	3.69801
-40	51	3.97395
-39	51	4.1801
-38	51	4.30446
-37	51	4.35867
-36	51	4.36436
-35	51	4.30806
-34	51	4.19479
-33	51	4.02844
-32	51	3.85591
-31	51	3.61585
-30	51	3.41424
-29	51	3.22022
-28	51	3.03776
-27	51	2.86499
-26	51	2.69881
-25	51	2.60138
-24	51	2.57809
-23	51	2.47341
-22	51	2.4583
-21	51	2.54967
-20	51	2.57524
-19	51	2.73342
-18	51	2.88202
-17	51	2.97434
-16	51	3.16424
-15	51	3.29281
-14	51	3.42812
-13	51	3.58827
-12	51	3.71673
-11	51	3.85726
-10	51	3.95563
-9	51	4.07893
-8	51	4.15887
-7	51	4.22606
-6	51	4.28816
-5	51	4.34379
-4	51	4.40745
-3	51	4.47195
-2	51	4.52396
-1	51	4.56411
0	51	4.58869
1	51	4.60777
2	51	4.61993
3	51	4.62832
4	51	4.60163
5	51	4.56461
6	51	4.60712
7	51	4.61818
8	51	4.59921
9	51	4.52975
10	51	4.4515
11	51	4.35848
12	51	4.26653
13	51	4.18016
14	51	4.06019
15	51	3.90776
16	51	3.74847
17	51	3.59672
18	51	3.398
19	51	3.21373
20	51	2.99079
21	51	2.74145
22	51	2.49663
23	51	2.21138
24	51	1.95326
25	51	1.69775
26	51	1.4498
27	51	1.26021

28	51	1.1592
29	51	0.971052
30	51	0.939145
31	51	0.972254
32	51	1.07039
33	51	1.27819
34	51	1.53623
35	51	1.8085
36	51	2.12054
37	51	2.46816
38	51	2.81934
39	51	3.09458
40	51	3.34592
41	51	3.57304
42	51	3.72819
43	51	3.80615
44	51	3.80814
45	51	3.73215
46	51	3.58642
47	51	3.33916
48	51	2.97148
49	51	2.4889
50	51	1.88798
51	51	1.12921
52	51	0.223386
53	51	-0.819773
54	51	-1.99155
55	51	-3.13651
56	51	-4.06294
57	51	-4.40352
58	51	-4.02629
59	51	-3.11379
60	51	-2.00631
61	51	-0.949644
62	51	-0.017442
63	51	0.736247
64	51	1.28598
65	51	1.65893
66	51	1.82544
67	51	1.78472
68	51	1.52439
69	51	1.08381
70	51	0.346477
71	51	-0.710376
72	51	-2.17433
73	51	-4.03417
74	51	-6.76194
75	51	-10.3973
76	51	-13.4255
77	51	-10.8153
78	51	-7.13681
79	51	-4.34415
80	51	-2.28688
81	51	-0.811527
82	51	0.0896235
83	51	0.916318
84	51	1.2355
85	51	1.27324
86	51	1.0694
87	51	0.518172
88	51	-0.356719
89	51	-1.74401
90	51	-3.69625
91	51	-6.75832
92	51	-11.7672
93	51	-22.3034
94	51	-13.6552
95	51	-7.74018
96	51	-4.36414
97	51	-2.02925
98	51	-0.381647
99	51	0.7566
100	51	1.54971
101	51	1.96017
102	51	2.08432
103	51	2.0123
104	51	1.70198
105	51	1.17387
106	51	0.342929
107	51	-0.741833
108	51	-2.10019
109	51	-3.63075
110	51	-5.08624
111	51	-5.71559
112	51	-5.03376
113	51	-3.53836
114	51	-1.98765
115	51	-0.574441
116	51	0.604545
117	51	1.51253
118	51	2.18092
119	51	2.6651
120	51	2.96238
121	51	3.06168
122	51	3.03609

123	51	2.84177
124	51	2.53801
125	51	2.11489
126	51	1.63563
127	51	1.07184
128	51	0.535179
129	51	0.0984697
130	51	-0.158183
131	51	-0.156294
132	51	0.0907447
133	51	0.567181
134	51	1.13639
135	51	1.74136
136	51	2.31679
137	51	2.82304
138	51	3.26671
139	51	3.61129
140	51	3.90627
141	51	4.13263
142	51	4.26603
143	51	4.32502
144	51	4.35131
145	51	4.31167
146	51	4.21182
147	51	4.05528
148	51	3.86805
149	51	3.62917
150	51	3.41713
151	51	3.22517
152	51	3.05546
153	51	2.88548
154	51	2.73358
155	51	2.62349
156	51	2.53197
157	51	2.48651
158	51	2.48828
159	51	2.5876
160	51	2.6505
161	51	2.77767
162	51	2.93826
163	51	3.03802
164	51	3.23155
165	51	3.38011
166	51	3.53799
167	51	3.67993
168	51	3.79876
169	51	3.93329
170	51	4.05027
171	51	4.16801
172	51	4.2439
173	51	4.31278
174	51	4.35666
175	51	4.41811
176	51	4.46195
177	51	4.52987
178	51	4.58716
179	51	4.63601
180	51	4.67176
-180	52	4.74722
-179	52	4.76716
-178	52	4.75848
-177	52	4.72011
-176	52	4.73418
-175	52	4.75605
-174	52	4.80389
-173	52	4.81477
-172	52	4.79777
-171	52	4.74845
-170	52	4.69864
-169	52	4.63051
-168	52	4.56776
-167	52	4.49454
-166	52	4.38911
-165	52	4.2703
-164	52	4.17265
-163	52	4.0406
-162	52	3.90837
-161	52	3.75033
-160	52	3.54328
-159	52	3.32616
-158	52	3.14402
-157	52	2.85375
-156	52	2.58383
-155	52	2.31095
-154	52	2.03728
-153	52	1.72892
-152	52	1.53515
-151	52	1.2757
-150	52	1.11323
-149	52	0.971177
-148	52	0.911878
-147	52	0.938166
-146	52	1.0475
-145	52	1.16054
-144	52	1.43259

-143	52	1.75874
-142	52	2.06275
-141	52	2.41639
-140	52	2.76479
-139	52	3.04174
-138	52	3.2751
-137	52	3.45875
-136	52	3.56897
-135	52	3.62494
-134	52	3.5592
-133	52	3.42769
-132	52	3.19692
-131	52	2.84945
-130	52	2.38279
-129	52	1.76831
-128	52	0.986252
-127	52	0.062941
-126	52	-1.03655
-125	52	-2.21541
-124	52	-3.39583
-123	52	-4.2473
-122	52	-4.44669
-121	52	-3.91508
-120	52	-2.9368
-119	52	-1.80418
-118	52	-0.761318
-117	52	0.125957
-116	52	0.813186
-115	52	1.30621
-114	52	1.59598
-113	52	1.67927
-112	52	1.54423
-111	52	1.16301
-110	52	0.549371
-109	52	-0.379607
-108	52	-1.67583
-107	52	-3.47054
-106	52	-5.9525
-105	52	-9.22999
-104	52	-12.3851
-103	52	-11.6158
-102	52	-7.90049
-101	52	-4.86847
-100	52	-2.77921
-99	52	-1.19897
-98	52	-0.155138
-97	52	0.642578
-96	52	1.03989
-95	52	1.09909
-94	52	0.880579
-93	52	0.259975
-92	52	-0.633308
-91	52	-2.09408
-90	52	-4.17624
-89	52	-7.3145
-88	52	-12.8836
-87	52	-22.7998
-86	52	-12.0511
-85	52	-6.9676
-84	52	-3.79861
-83	52	-1.62107
-82	52	-0.0723492
-81	52	0.983383
-80	52	1.70741
-79	52	1.95656
-78	52	2.06746
-77	52	1.91393
-76	52	1.56245
-75	52	0.937138
-74	52	0.0332974
-73	52	-1.16544
-72	52	-2.68514
-71	52	-4.35453
-70	52	-5.75186
-69	52	-5.95674
-68	52	-4.83169
-67	52	-3.05081
-66	52	-1.42657
-65	52	-0.0465239
-64	52	1.05808
-63	52	1.89599
-62	52	2.50201
-61	52	2.88502
-60	52	3.09219
-59	52	3.13404
-58	52	3.03092
-57	52	2.79799
-56	52	2.39915
-55	52	1.89437
-54	52	1.31216
-53	52	0.722151
-52	52	0.219979
-51	52	-0.129243
-50	52	-0.229246
-49	52	-0.0525516

-48	52	0.364501
-47	52	0.948883
-46	52	1.63382
-45	52	2.23434
-44	52	2.77594
-43	52	3.23293
-42	52	3.59613
-41	52	3.88356
-40	52	4.10473
-39	52	4.2795
-38	52	4.32157
-37	52	4.31334
-36	52	4.25728
-35	52	4.14944
-34	52	3.99929
-33	52	3.80355
-32	52	3.62134
-31	52	3.38549
-30	52	3.15735
-29	52	2.96176
-28	52	2.81194
-27	52	2.64414
-26	52	2.52748
-25	52	2.44345
-24	52	2.45544
-23	52	2.45728
-22	52	2.39108
-21	52	2.5278
-20	52	2.69624
-19	52	2.83682
-18	52	2.9876
-17	52	3.13392
-16	52	3.2556
-15	52	3.46782
-14	52	3.59081
-13	52	3.72891
-12	52	3.83438
-11	52	3.94509
-10	52	4.07397
-9	52	4.18913
-8	52	4.27002
-7	52	4.33591
-6	52	4.40685
-5	52	4.46247
-4	52	4.5231
-3	52	4.60933
-2	52	4.62407
-1	52	4.66328
0	52	4.69692
1	52	4.71368
2	52	4.70772
3	52	4.67176
4	52	4.68878
5	52	4.73051
6	52	4.7374
7	52	4.74964
8	52	4.73411
9	52	4.68737
10	52	4.62872
11	52	4.55841
12	52	4.49528
13	52	4.48319
14	52	4.3608
15	52	4.2123
16	52	4.10651
17	52	4.00135
18	52	3.84407
19	52	3.69832
20	52	3.50213
21	52	3.28725
22	52	3.09254
23	52	2.82651
24	52	2.56874
25	52	2.29948
26	52	2.0231
27	52	1.76572
28	52	1.57613
29	52	1.3295
30	52	1.19005
31	52	1.09673
32	52	1.05991
33	52	1.11516
34	52	1.24853
35	52	1.46399
36	52	1.73002
37	52	2.0446
38	52	2.33134
39	52	2.66246
40	52	2.98221
41	52	3.22649
42	52	3.44222
43	52	3.60343
44	52	3.6908
45	52	3.7116
46	52	3.6434

47	52	3.47391
48	52	3.22926
49	52	2.86865
50	52	2.36998
51	52	1.75534
52	52	0.988579
53	52	0.0827504
54	52	-0.963083
55	52	-2.07263
56	52	-3.13106
57	52	-3.88287
58	52	-4.00853
59	52	-3.53655
60	52	-2.59907
61	52	-1.53487
62	52	-0.596603
63	52	0.262971
64	52	0.915384
65	52	1.37946
66	52	1.63551
67	52	1.70842
68	52	1.58421
69	52	1.19748
70	52	0.571056
71	52	-0.356601
72	52	-1.67417
73	52	-3.49774
74	52	-5.77465
75	52	-9.0755
76	52	-12.4266
77	52	-11.8454
78	52	-8.09201
79	52	-5.06715
80	52	-2.90702
81	52	-1.32467
82	52	-0.267401
83	52	0.546222
84	52	0.96269
85	52	1.03711
86	52	0.833498
87	52	0.289204
88	52	-0.590632
89	52	-2.02126
90	52	-4.04915
91	52	-7.08093
92	52	-12.3479
93	52	-21.4455
94	52	-12.4005
95	52	-7.26111
96	52	-4.02429
97	52	-1.79543
98	52	-0.207369
99	52	0.886478
100	52	1.63725
101	52	1.95489
102	52	2.05894
103	52	1.92695
104	52	1.59589
105	52	0.980054
106	52	0.0957662
107	52	-1.09594
108	52	-2.59043
109	52	-4.22354
110	52	-5.5676
111	52	-5.81186
112	52	-4.77576
113	52	-3.08779
114	52	-1.45714
115	52	-0.0750035
116	52	1.03553
117	52	1.86289
118	52	2.46142
119	52	2.86845
120	52	3.11037
121	52	3.13437
122	52	3.0439
123	52	2.80156
124	52	2.44663
125	52	1.98958
126	52	1.40987
127	52	0.838218
128	52	0.334036
129	52	-0.014178
130	52	-0.160358
131	52	-0.0305753
132	52	0.325758
133	52	0.842495
134	52	1.43926
135	52	2.06612
136	52	2.61806
137	52	3.08707
138	52	3.47198
139	52	3.7761
140	52	4.01248
141	52	4.18208

142	52	4.26788
143	52	4.28972
144	52	4.26155
145	52	4.15865
146	52	4.00548
147	52	3.81944
148	52	3.61162
149	52	3.38471
150	52	3.16096
151	52	2.97481
152	52	2.70589
153	52	2.61439
154	52	2.50605
155	52	2.42748
156	52	2.40173
157	52	2.44996
158	52	2.45215
159	52	2.55854
160	52	2.71217
161	52	2.85401
162	52	3.01531
163	52	3.18733
164	52	3.32536
165	52	3.51332
166	52	3.65186
167	52	3.78399
168	52	3.90213
169	52	4.01949
170	52	4.13397
171	52	4.23781
172	52	4.3128
173	52	4.37991
174	52	4.43551
175	52	4.50521
176	52	4.55499
177	52	4.61326
178	52	4.66771
179	52	4.71362
180	52	4.74722
-180	53	4.67572
-179	53	4.682
-178	53	4.65367
-177	53	4.64801
-176	53	4.65589
-175	53	4.7248
-174	53	4.75924
-173	53	4.74531
-172	53	4.7171
-171	53	4.70295
-170	53	4.67128
-169	53	4.64354
-168	53	4.5856
-167	53	4.52715
-166	53	4.43466
-165	53	4.35309
-164	53	4.28804
-163	53	4.17446
-162	53	4.11233
-161	53	4.00747
-160	53	3.83723
-159	53	3.67501
-158	53	3.51246
-157	53	3.27835
-156	53	3.03399
-155	53	2.78176
-154	53	2.52546
-153	53	2.23759
-152	53	1.994
-151	53	1.73128
-150	53	1.50938
-149	53	1.31055
-148	53	1.18128
-147	53	1.08409
-146	53	1.04908
-145	53	1.17239
-144	53	1.32075
-143	53	1.50119
-142	53	1.72783
-141	53	2.04676
-140	53	2.34422
-139	53	2.66281
-138	53	2.94803
-137	53	3.18361
-136	53	3.35498
-135	53	3.48095
-134	53	3.49588
-133	53	3.43301
-132	53	3.27852
-131	53	3.03202
-130	53	2.64804
-129	53	2.14687
-128	53	1.49969
-127	53	0.73149
-126	53	-0.228678
-125	53	-1.32766

-124	53	-2.42966
-123	53	-3.45561
-122	53	-4.08355
-121	53	-4.03708
-120	53	-3.35732
-119	53	-2.37699
-118	53	-1.32675
-117	53	-0.377368
-116	53	0.413647
-115	53	0.972758
-114	53	1.35425
-113	53	1.52065
-112	53	1.47342
-111	53	1.18026
-110	53	0.642038
-109	53	-0.20424
-108	53	-1.37623
-107	53	-3.01211
-106	53	-5.26345
-105	53	-8.27947
-104	53	-11.5116
-103	53	-12.1517
-102	53	-8.64213
-101	53	-5.47509
-100	53	-3.23398
-99	53	-1.62126
-98	53	-0.36883
-97	53	0.38534
-96	53	0.849076
-95	53	0.926174
-94	53	0.713299
-93	53	0.149849
-92	53	-0.839445
-91	53	-2.18091
-90	53	-4.317
-89	53	-7.53058
-88	53	-12.9291
-87	53	-18.9955
-86	53	-11.4776
-85	53	-6.54132
-84	53	-3.54864
-83	53	-1.43581
-82	53	0.0793879
-81	53	1.09918
-80	53	1.76139
-79	53	1.98039
-78	53	2.02213
-77	53	1.82064
-76	53	1.43267
-75	53	0.749595
-74	53	-0.228696
-73	53	-1.54675
-72	53	-3.12376
-71	53	-4.76243
-70	53	-5.8703
-69	53	-5.60062
-68	53	-4.1524
-67	53	-2.30553
-66	53	-0.74322
-65	53	0.552523
-64	53	1.56174
-63	53	2.32145
-62	53	2.85245
-61	53	3.17608
-60	53	3.29025
-59	53	3.24031
-58	53	3.0577
-57	53	2.75052
-56	53	2.29985
-55	53	1.73561
-54	53	1.11189
-53	53	0.481623
-52	53	-0.00182486
-51	53	-0.255118
-50	53	-0.225457
-49	53	0.0734829
-48	53	0.638308
-47	53	1.24498
-46	53	1.87351
-45	53	2.45987
-44	53	2.93546
-43	53	3.39179
-42	53	3.70066
-41	53	3.93938
-40	53	4.10554
-39	53	4.2005
-38	53	4.22762
-37	53	4.16141
-36	53	4.05008
-35	53	3.90208
-34	53	3.69492
-33	53	3.51224
-32	53	3.31162
-31	53	3.07647
-30	53	2.83269

-29	53	2.62003
-28	53	2.46296
-27	53	2.3075
-26	53	2.22648
-25	53	2.16946
-24	53	2.16928
-23	53	2.25861
-22	53	2.32659
-21	53	2.42849
-20	53	2.61908
-19	53	2.81348
-18	53	2.98023
-17	53	3.20399
-16	53	3.3884
-15	53	3.50716
-14	53	3.69104
-13	53	3.8143
-12	53	3.91095
-11	53	3.96903
-10	53	4.1294
-9	53	4.21438
-8	53	4.29195
-7	53	4.35296
-6	53	4.41551
-5	53	4.46445
-4	53	4.51862
-3	53	4.57272
-2	53	4.59409
-1	53	4.61717
0	53	4.67027
1	53	4.71594
2	53	4.63296
3	53	4.61669
4	53	4.56336
5	53	4.62358
6	53	4.66843
7	53	4.68505
8	53	4.66904
9	53	4.63772
10	53	4.61563
11	53	4.58217
12	53	4.53345
13	53	4.47776
14	53	4.39597
15	53	4.30564
16	53	4.2211
17	53	4.17164
18	53	4.04497
19	53	3.96261
20	53	3.7792
21	53	3.61069
22	53	3.4381
23	53	3.2204
24	53	2.99867
25	53	2.74891
26	53	2.4738
27	53	2.23759
28	53	1.97415
29	53	1.71246
30	53	1.51392
31	53	1.34962
32	53	1.22975
33	53	1.17422
34	53	1.17716
35	53	1.3182
36	53	1.48152
37	53	1.67222
38	53	1.97329
39	53	2.28047
40	53	2.56012
41	53	2.84457
42	53	3.09217
43	53	3.31406
44	53	3.46294
45	53	3.5472
46	53	3.5573
47	53	3.4865
48	53	3.31533
49	53	3.03967
50	53	2.64573
51	53	2.15038
52	53	1.51211
53	53	0.746087
54	53	-0.188612
55	53	-1.19807
56	53	-2.23181
57	53	-3.13712
58	53	-3.6085
59	53	-3.49856
60	53	-2.87935
61	53	-1.96044
62	53	-1.0001
63	53	-0.126113
64	53	0.561165
65	53	1.1072

66	53	1.47302
67	53	1.62828
68	53	1.55318
69	53	1.26649
70	53	0.733903
71	53	-0.0916827
72	53	-1.27683
73	53	-2.8908
74	53	-4.9764
75	53	-7.90536
76	53	-11.1653
77	53	-12.373
78	53	-8.83305
79	53	-5.78943
80	53	-3.44326
81	53	-1.78093
82	53	-0.50794
83	53	0.234504
84	53	0.723709
85	53	0.839556
86	53	0.652721
87	53	0.122152
88	53	-0.803934
89	53	-2.07733
90	53	-4.1789
91	53	-7.2882
92	53	-12.3539
93	53	-18.3151
94	53	-11.7724
95	53	-6.81967
96	53	-3.76683
97	53	-1.60448
98	53	-0.0528642
99	53	1.0129
100	53	1.69282
101	53	1.97486
102	53	2.00446
103	53	1.83163
104	53	1.46867
105	53	0.805416
106	53	-0.144769
107	53	-1.43047
108	53	-2.97795
109	53	-4.64758
110	53	-5.77521
111	53	-5.57389
112	53	-4.12014
113	53	-2.32071
114	53	-0.793381
115	53	0.49362
116	53	1.50601
117	53	2.25298
118	53	2.7856
119	53	3.13274
120	53	3.28586
121	53	3.24791
122	53	3.07263
123	53	2.77214
124	53	2.32129
125	53	1.7853
126	53	1.18465
127	53	0.597551
128	53	0.0925516
129	53	-0.209166
130	53	-0.235284
131	53	-0.00631815
132	53	0.457723
133	53	1.04108
134	53	1.65117
135	53	2.27548
136	53	2.78887
137	53	3.23453
138	53	3.57811
139	53	3.82446
140	53	3.9942
141	53	4.12043
142	53	4.16225
143	53	4.12395
144	53	4.03323
145	53	3.91369
146	53	3.67388
147	53	3.50177
148	53	3.28119
149	53	2.93506
150	53	2.75897
151	53	2.55926
152	53	2.39852
153	53	2.25106
154	53	2.16565
155	53	2.12488
156	53	2.12457
157	53	2.20059
158	53	2.28841
159	53	2.38057
160	53	2.59625

161	53	2.79164
162	53	2.98373
163	53	3.19037
164	53	3.36906
165	53	3.50547
166	53	3.69963
167	53	3.82385
168	53	3.93415
169	53	4.03315
170	53	4.15285
171	53	4.22475
172	53	4.29907
173	53	4.3588
174	53	4.43336
175	53	4.4842
176	53	4.535
177	53	4.57163
178	53	4.60693
179	53	4.64569
180	53	4.67572
-180	54	4.57929
-179	54	4.56966
-178	54	4.53359
-177	54	4.5385
-176	54	4.59335
-175	54	4.63183
-174	54	4.63822
-173	54	4.61267
-172	54	4.58555
-171	54	4.57341
-170	54	4.55078
-169	54	4.53769
-168	54	4.49142
-167	54	4.43027
-166	54	4.35849
-165	54	4.28255
-164	54	4.23203
-163	54	4.18549
-162	54	4.11604
-161	54	4.02815
-160	54	3.90973
-159	54	3.77879
-158	54	3.63087
-157	54	3.44753
-156	54	3.25395
-155	54	3.05295
-154	54	2.82178
-153	54	2.57135
-152	54	2.3217
-151	54	2.06047
-150	54	1.83912
-149	54	1.60282
-148	54	1.41782
-147	54	1.26468
-146	54	1.13644
-145	54	1.16695
-144	54	1.25424
-143	54	1.35421
-142	54	1.54696
-141	54	1.78235
-140	54	2.06765
-139	54	2.32965
-138	54	2.62231
-137	54	2.88557
-136	54	3.0949
-135	54	3.27008
-134	54	3.34026
-133	54	3.34166
-132	54	3.25005
-131	54	3.07238
-130	54	2.78304
-129	54	2.37798
-128	54	1.84555
-127	54	1.16835
-126	54	0.357265
-125	54	-0.588231
-124	54	-1.68493
-123	54	-2.71615
-122	54	-3.53189
-121	54	-3.80066
-120	54	-3.44628
-119	54	-2.68359
-118	54	-1.70602
-117	54	-0.76048
-116	54	0.0665243
-115	54	0.703975
-114	54	1.16466
-113	54	1.37855
-112	54	1.39811
-111	54	1.17149
-110	54	0.699377
-109	54	-0.0629162
-108	54	-1.15656
-107	54	-2.67911
-106	54	-4.78112

-105	54	-7.62329
-104	54	-11.0488
-103	54	-12.4214
-102	54	-9.22391
-101	54	-5.87536
-100	54	-3.48954
-99	54	-1.81974
-98	54	-0.465367
-97	54	0.28475
-96	54	0.758992
-95	54	0.862824
-94	54	0.685328
-93	54	0.14191
-92	54	-0.850311
-91	54	-2.1494
-90	54	-4.22053
-89	54	-7.29879
-88	54	-12.2107
-87	54	-15.7774
-86	54	-10.8787
-85	54	-6.25049
-84	54	-3.36765
-83	54	-1.31548
-82	54	0.153687
-81	54	1.14186
-80	54	1.65615
-79	54	1.91047
-78	54	1.94639
-77	54	1.76194
-76	54	1.31612
-75	54	0.594205
-74	54	-0.464602
-73	54	-1.82089
-72	54	-3.41887
-71	54	-4.89565
-70	54	-5.59342
-69	54	-4.99794
-68	54	-3.42327
-67	54	-1.63464
-66	54	-0.172188
-65	54	1.02108
-64	54	1.93741
-63	54	2.60934
-62	54	3.05847
-61	54	3.31463
-60	54	3.37579
-59	54	3.28008
-58	54	3.01762
-57	54	2.61868
-56	54	2.10458
-55	54	1.49344
-54	54	0.808536
-53	54	0.154989
-52	54	-0.306166
-51	54	-0.503031
-50	54	-0.295353
-49	54	0.131221
-48	54	0.710087
-47	54	1.38157
-46	54	2.01248
-45	54	2.57627
-44	54	3.06747
-43	54	3.44872
-42	54	3.72444
-41	54	3.91033
-40	54	4.02502
-39	54	4.05847
-38	54	4.02731
-37	54	3.90673
-36	54	3.75519
-35	54	3.5869
-34	54	3.33375
-33	54	3.08561
-32	54	2.84419
-31	54	2.58868
-30	54	2.34426
-29	54	2.15752
-28	54	2.02698
-27	54	1.9098
-26	54	1.85966
-25	54	1.89597
-24	54	1.99484
-23	54	2.13791
-22	54	2.26697
-21	54	2.43813
-20	54	2.61081
-19	54	2.86249
-18	54	3.04194
-17	54	3.23325
-16	54	3.49043
-15	54	3.55265
-14	54	3.78103
-13	54	3.88844
-12	54	3.98525
-11	54	4.08205

-10	54	4.16512
-9	54	4.22915
-8	54	4.30124
-7	54	4.36084
-6	54	4.41444
-5	54	4.45835
-4	54	4.48867
-3	54	4.50734
-2	54	4.5192
-1	54	4.5801
0	54	4.57809
1	54	4.56269
2	54	4.53069
3	54	4.48922
4	54	4.50549
5	54	4.53187
6	54	4.54994
7	54	4.53592
8	54	4.51007
9	54	4.49969
10	54	4.47648
11	54	4.44793
12	54	4.41224
13	54	4.37207
14	54	4.29991
15	54	4.22109
16	54	4.15759
17	54	4.11342
18	54	4.05391
19	54	3.95105
20	54	3.83885
21	54	3.70554
22	54	3.54777
23	54	3.36747
24	54	3.18045
25	54	2.97309
26	54	2.73323
27	54	2.51651
28	54	2.25058
29	54	2.00396
30	54	1.79225
31	54	1.5891
32	54	1.43896
33	54	1.31216
34	54	1.2129
35	54	1.27119
36	54	1.37095
37	54	1.48315
38	54	1.68595
39	54	1.92655
40	54	2.20885
41	54	2.49431
42	54	2.76303
43	54	2.99265
44	54	3.18002
45	54	3.33054
46	54	3.38267
47	54	3.36561
48	54	3.27266
49	54	3.07152
50	54	2.77993
51	54	2.3693
52	54	1.83114
53	54	1.15875
54	54	0.364328
55	54	-0.517904
56	54	-1.50736
57	54	-2.41853
58	54	-3.07146
59	54	-3.26953
60	54	-2.89677
61	54	-2.1667
62	54	-1.27156
63	54	-0.401978
64	54	0.322665
65	54	0.919352
66	54	1.3223
67	54	1.53781
68	54	1.53923
69	54	1.29387
70	54	0.836598
71	54	0.0963789
72	54	-0.986099
73	54	-2.47216
74	54	-4.48963
75	54	-7.07609
76	54	-10.4813
77	54	-12.2703
78	54	-9.54293
79	54	-6.19005
80	54	-3.71764
81	54	-2.02609
82	54	-0.658514
83	54	0.124823
84	54	0.631938

85	54	0.78791
86	54	0.640911
87	54	0.138737
88	54	-0.819135
89	54	-2.05812
90	54	-3.99725
91	54	-6.96349
92	54	-11.5161
93	54	-15.1941
94	54	-11.1572
95	54	-6.47648
96	54	-3.57579
97	54	-1.49424
98	54	-0.00813278
99	54	1.03048
100	54	1.64909
101	54	1.89422
102	54	1.97723
103	54	1.81259
104	54	1.36637
105	54	0.676171
106	54	-0.366571
107	54	-1.68173
108	54	-3.23393
109	54	-4.75258
110	54	-5.4907
111	54	-4.91019
112	54	-3.42788
113	54	-1.68893
114	54	-0.27289
115	54	0.933063
116	54	1.85956
117	54	2.53652
118	54	2.99699
119	54	3.26784
120	54	3.35264
121	54	3.25243
122	54	3.01238
123	54	2.61015
124	54	2.08552
125	54	1.46078
126	54	0.80006
127	54	0.173558
128	54	-0.307212
129	54	-0.530336
130	54	-0.436156
131	54	-0.0597769
132	54	0.499774
133	54	1.14677
134	54	1.78929
135	54	2.36973
136	54	2.88047
137	54	3.285
138	54	3.59865
139	54	3.82008
140	54	3.94662
141	54	4.00426
142	54	3.98822
143	54	3.90604
144	54	3.75637
145	54	3.53553
146	54	3.22816
147	54	2.94824
148	54	2.76248
149	54	2.4643
150	54	2.25449
151	54	2.05907
152	54	1.91601
153	54	1.81816
154	54	1.77235
155	54	1.83552
156	54	1.9057
157	54	2.03935
158	54	2.22436
159	54	2.40962
160	54	2.57907
161	54	2.82224
162	54	3.02253
163	54	3.20954
164	54	3.46477
165	54	3.53353
166	54	3.77146
167	54	3.88065
168	54	3.98529
169	54	4.07409
170	54	4.16702
171	54	4.22072
172	54	4.27674
173	54	4.35668
174	54	4.42974
175	54	4.475
176	54	4.50207
177	54	4.53174
178	54	4.5559
179	54	4.57725

180	54	4.57929
-180	55	4.57862
-179	55	4.54219
-178	55	4.52614
-177	55	4.55573
-176	55	4.6089
-175	55	4.61871
-174	55	4.57764
-173	55	4.5376
-172	55	4.50125
-171	55	4.49683
-170	55	4.48021
-169	55	4.44142
-168	55	4.39644
-167	55	4.34284
-166	55	4.27414
-165	55	4.20796
-164	55	4.14752
-163	55	4.10623
-162	55	4.03801
-161	55	3.94609
-160	55	3.85576
-159	55	3.70708
-158	55	3.60878
-157	55	3.4527
-156	55	3.30492
-155	55	3.1309
-154	55	2.93926
-153	55	2.73755
-152	55	2.49558
-151	55	2.25671
-150	55	2.02597
-149	55	1.78677
-148	55	1.57994
-147	55	1.37743
-146	55	1.1866
-145	55	1.23008
-144	55	1.23644
-143	55	1.22874
-142	55	1.35094
-141	55	1.55578
-140	55	1.78935
-139	55	2.05919
-138	55	2.34835
-137	55	2.60608
-136	55	2.81841
-135	55	3.02561
-134	55	3.1198
-133	55	3.16594
-132	55	3.13651
-131	55	3.01142
-130	55	2.79229
-129	55	2.46221
-128	55	2.01286
-127	55	1.43157
-126	55	0.718076
-125	55	-0.149078
-124	55	-1.13707
-123	55	-2.12225
-122	55	-2.97115
-121	55	-3.45697
-120	55	-3.34333
-119	55	-2.73354
-118	55	-1.85181
-117	55	-0.928649
-116	55	-0.0863429
-115	55	0.58595
-114	55	1.08295
-113	55	1.36261
-112	55	1.43532
-111	55	1.25125
-110	55	0.820879
-109	55	0.137374
-108	55	-0.880072
-107	55	-2.32183
-106	55	-4.26054
-105	55	-7.09454
-104	55	-10.7974
-103	55	-12.7239
-102	55	-9.76454
-101	55	-6.29705
-100	55	-3.75336
-99	55	-1.94054
-98	55	-0.550833
-97	55	0.306052
-96	55	0.793416
-95	55	0.953587
-94	55	0.796632
-93	55	0.255284
-92	55	-0.672304
-91	55	-1.96041
-90	55	-3.90705
-89	55	-6.76131
-88	55	-11.1387
-87	55	-14.0382

-86	55	-10.3763
-85	55	-6.12295
-84	55	-3.29617
-83	55	-1.27889
-82	55	0.145914
-81	55	1.09432
-80	55	1.55891
-79	55	1.84981
-78	55	1.86236
-77	55	1.64285
-76	55	1.1784
-75	55	0.402976
-74	55	-0.692108
-73	55	-2.02451
-72	55	-3.55358
-71	55	-4.82811
-70	55	-5.14718
-69	55	-4.36795
-68	55	-2.8098
-67	55	-1.15251
-66	55	0.19885
-65	55	1.28793
-64	55	2.11317
-63	55	2.69084
-62	55	3.06943
-61	55	3.25582
-60	55	3.24649
-59	55	3.07089
-58	55	2.73308
-57	55	2.24417
-56	55	1.61908
-55	55	0.905865
-54	55	0.169238
-53	55	-0.489419
-52	55	-0.844184
-51	55	-0.868387
-50	55	-0.539207
-49	55	0.043449
-48	55	0.710361
-47	55	1.43604
-46	55	2.07718
-45	55	2.62202
-44	55	3.0596
-43	55	3.40552
-42	55	3.65779
-41	55	3.8113
-40	55	3.87587
-39	55	3.85228
-38	55	3.75864
-37	55	3.59988
-36	55	3.38111
-35	55	3.13656
-34	55	2.86602
-33	55	2.58963
-32	55	2.32967
-31	55	2.07189
-30	55	1.8756
-29	55	1.75162
-28	55	1.68343
-27	55	1.65042
-26	55	1.70961
-25	55	1.81813
-24	55	1.95893
-23	55	2.17372
-22	55	2.37612
-21	55	2.64166
-20	55	2.84135
-19	55	3.05892
-18	55	3.25963
-17	55	3.42871
-16	55	3.64236
-15	55	3.79038
-14	55	3.94593
-13	55	4.08117
-12	55	4.17844
-11	55	4.26739
-10	55	4.34512
-9	55	4.36858
-8	55	4.41214
-7	55	4.4528
-6	55	4.49528
-5	55	4.52582
-4	55	4.53421
-3	55	4.53836
-2	55	4.55785
-1	55	4.57742
0	55	4.58741
1	55	4.52898
2	55	4.5146
3	55	4.4831
4	55	4.52269
5	55	4.5265
6	55	4.49922
7	55	4.46834
8	55	4.43738

9	55	4.43265
10	55	4.39197
11	55	4.35496
12	55	4.31669
13	55	4.27146
14	55	4.20881
15	55	4.13992
16	55	4.07296
17	55	4.0269
18	55	3.97552
19	55	3.88287
20	55	3.79295
21	55	3.63994
22	55	3.53569
23	55	3.3822
24	55	3.20311
25	55	3.01921
26	55	2.81034
27	55	2.59813
28	55	2.3694
29	55	2.15316
30	55	1.93761
31	55	1.7095
32	55	1.52309
33	55	1.33439
34	55	1.18184
35	55	1.26427
36	55	1.30607
37	55	1.32612
38	55	1.47369
39	55	1.68034
40	55	1.91578
41	55	2.18092
42	55	2.44406
43	55	2.69744
44	55	2.90758
45	55	3.061
46	55	3.14742
47	55	3.19651
48	55	3.14364
49	55	2.99936
50	55	2.77458
51	55	2.43043
52	55	1.97726
53	55	1.39588
54	55	0.695709
55	55	-0.159721
56	55	-1.06419
57	55	-1.95636
58	55	-2.67577
59	55	-3.06044
60	55	-2.84452
61	55	-2.24047
62	55	-1.41209
63	55	-0.537208
64	55	0.219455
65	55	0.844601
66	55	1.29552
67	55	1.53106
68	55	1.5803
69	55	1.3965
70	55	0.987086
71	55	0.311691
72	55	-0.690251
73	55	-2.07693
74	55	-3.95005
75	55	-6.50735
76	55	-9.94483
77	55	-12.1245
78	55	-9.86001
79	55	-6.47941
80	55	-3.93299
81	55	-2.05505
82	55	-0.664762
83	55	0.19793
84	55	0.710981
85	55	0.906401
86	55	0.799715
87	55	0.340713
88	55	-0.524846
89	55	-1.74205
90	55	-3.61708
91	55	-6.27067
92	55	-10.2288
93	55	-13.2493
94	55	-10.5998
95	55	-6.4166
96	55	-3.5469
97	55	-1.46132
98	55	-0.0238597
99	55	0.966332
100	55	1.51153
101	55	1.83099
102	55	1.86552
103	55	1.6638

104	55	1.20934
105	55	0.454437
106	55	-0.562514
107	55	-1.8625
108	55	-3.36235
109	55	-4.63181
110	55	-5.0328
111	55	-4.3798
112	55	-2.87269
113	55	-1.25823
114	55	0.0731351
115	55	1.17165
116	55	1.99569
117	55	2.58957
118	55	2.97944
119	55	3.17588
120	55	3.19218
121	55	2.99203
122	55	2.65265
123	55	2.17435
124	55	1.56043
125	55	0.850288
126	55	0.124606
127	55	-0.505213
128	55	-0.938531
129	55	-0.999734
130	55	-0.723358
131	55	-0.157042
132	55	0.520579
133	55	1.21411
134	55	1.86482
135	55	2.45465
136	55	2.92512
137	55	3.29255
138	55	3.56601
139	55	3.73963
140	55	3.81521
141	55	3.80649
142	55	3.72812
143	55	3.57657
144	55	3.29218
145	55	3.03558
146	55	2.77214
147	55	2.49954
148	55	2.22906
149	55	2.00123
150	55	1.80267
151	55	1.66315
152	55	1.60515
153	55	1.54947
154	55	1.60514
155	55	1.74043
156	55	1.88815
157	55	2.13834
158	55	2.3615
159	55	2.64832
160	55	2.86075
161	55	3.06205
162	55	3.26638
163	55	3.44213
164	55	3.64964
165	55	3.78824
166	55	3.96065
167	55	4.09957
168	55	4.19441
169	55	4.26982
170	55	4.33082
171	55	4.36334
172	55	4.41464
173	55	4.45404
174	55	4.51326
175	55	4.54266
176	55	4.55361
177	55	4.56849
178	55	4.57793
179	55	4.59675
180	55	4.57862
-180	56	4.70154
-179	56	4.67974
-178	56	4.67837
-177	56	4.69594
-176	56	4.72225
-175	56	4.70192
-174	56	4.63079
-173	56	4.44798
-172	56	4.55982
-171	56	4.54302
-170	56	4.50875
-169	56	4.47282
-168	56	4.42487
-167	56	4.36348
-166	56	4.30698
-165	56	4.24939
-164	56	4.16891
-163	56	4.13025

-162	56	4.04642
-161	56	3.95584
-160	56	3.87428
-159	56	3.74626
-158	56	3.60853
-157	56	3.47194
-156	56	3.33391
-155	56	3.18468
-154	56	3.00965
-153	56	2.82491
-152	56	2.57001
-151	56	2.33781
-150	56	2.11372
-149	56	1.87428
-148	56	1.64579
-147	56	1.40633
-146	56	1.29381
-145	56	1.2268
-144	56	1.16724
-143	56	1.14001
-142	56	1.21596
-141	56	1.34415
-140	56	1.53974
-139	56	1.78664
-138	56	2.04961
-137	56	2.31557
-136	56	2.55436
-135	56	2.76255
-134	56	2.88141
-133	56	2.96522
-132	56	2.97242
-131	56	2.89904
-130	56	2.72574
-129	56	2.45464
-128	56	2.0447
-127	56	1.5378
-126	56	0.851934
-125	56	0.0393425
-124	56	-0.863044
-123	56	-1.83823
-122	56	-2.72065
-121	56	-3.23992
-120	56	-3.24248
-119	56	-2.74257
-118	56	-1.92779
-117	56	-1.00737
-116	56	-0.146066
-115	56	0.586468
-114	56	1.12472
-113	56	1.45881
-112	56	1.55111
-111	56	1.42637
-110	56	1.10241
-109	56	0.490066
-108	56	-0.483539
-107	56	-1.84777
-106	56	-3.75993
-105	56	-6.61256
-104	56	-10.3321
-103	56	-13.2205
-102	56	-10.7519
-101	56	-6.76881
-100	56	-4.03918
-99	56	-1.92796
-98	56	-0.600522
-97	56	0.373666
-96	56	0.87337
-95	56	1.08719
-94	56	0.984593
-93	56	0.485168
-92	56	-0.311195
-91	56	-1.5856
-90	56	-3.43995
-89	56	-6.15381
-88	56	-9.91839
-87	56	-12.9469
-86	56	-10.0316
-85	56	-6.08825
-84	56	-3.29469
-83	56	-1.32978
-82	56	0.0763575
-81	56	0.923165
-80	56	1.49081
-79	56	1.75761
-78	56	1.74623
-77	56	1.51547
-76	56	1.00001
-75	56	0.224627
-74	56	-0.872784
-73	56	-2.2155
-72	56	-3.66977
-71	56	-4.77243
-70	56	-4.87854
-69	56	-3.9354
-68	56	-2.39652

-67	56	-0.866424
-66	56	0.380999
-65	56	1.37583
-64	56	2.11376
-63	56	2.62349
-62	56	2.92216
-61	56	3.02783
-60	56	2.9311
-59	56	2.65915
-58	56	2.27437
-57	56	1.64135
-56	56	0.934181
-55	56	0.154637
-54	56	-0.577476
-53	56	-1.11592
-52	56	-1.28352
-51	56	-1.08262
-50	56	-0.602433
-49	56	0.161142
-48	56	0.892679
-47	56	1.64778
-46	56	2.24544
-45	56	2.71063
-44	56	3.13653
-43	56	3.41943
-42	56	3.61003
-41	56	3.69776
-40	56	3.69479
-39	56	3.60293
-38	56	3.46204
-37	56	3.10923
-36	56	3.02451
-35	56	2.74242
-34	56	2.44925
-33	56	2.17472
-32	56	1.93768
-31	56	1.77811
-30	56	1.59112
-29	56	1.53341
-28	56	1.6216
-27	56	1.70537
-26	56	1.82717
-25	56	2.01886
-24	56	2.22693
-23	56	2.48778
-22	56	2.74734
-21	56	3.00698
-20	56	3.30061
-19	56	3.46746
-18	56	3.67692
-17	56	3.83447
-16	56	3.98472
-15	56	4.18187
-14	56	4.26204
-13	56	4.40947
-12	56	4.50167
-11	56	4.57603
-10	56	4.63065
-9	56	4.69412
-8	56	4.72061
-7	56	4.73156
-6	56	4.75017
-5	56	4.7659
-4	56	4.7809
-3	56	4.74792
-2	56	4.75489
-1	56	4.75335
0	56	4.7286
1	56	4.68556
2	56	4.6639
3	56	4.65234
4	56	4.6569
5	56	4.64493
6	56	4.58578
7	56	4.41445
8	56	4.5283
9	56	4.50502
10	56	4.44886
11	56	4.40176
12	56	4.35617
13	56	4.31375
14	56	4.24544
15	56	4.17227
16	56	4.09054
17	56	4.05276
18	56	3.93597
19	56	3.84587
20	56	3.75304
21	56	3.61743
22	56	3.4443
23	56	3.36043
24	56	3.21707
25	56	3.05165
26	56	2.86686
27	56	2.65759

28	56	2.43151
29	56	2.23558
30	56	2.01071
31	56	1.77065
32	56	1.55978
33	56	1.33977
34	56	1.25154
35	56	1.22513
36	56	1.19462
37	56	1.18427
38	56	1.28351
39	56	1.42764
40	56	1.62377
41	56	1.86954
42	56	2.13051
43	56	2.37871
44	56	2.60656
45	56	2.78799
46	56	2.91112
47	56	2.96121
48	56	2.94665
49	56	2.88241
50	56	2.69423
51	56	2.40209
52	56	2.02201
53	56	1.50086
54	56	0.809585
55	56	-0.00168979
56	56	-0.873543
57	56	-1.77887
58	56	-2.54899
59	56	-2.95163
60	56	-2.88063
61	56	-2.33234
62	56	-1.51346
63	56	-0.65353
64	56	0.157378
65	56	0.831672
66	56	1.33083
67	56	1.64726
68	56	1.7154
69	56	1.55499
70	56	1.22629
71	56	0.626563
72	56	-0.335504
73	56	-1.66645
74	56	-3.48308
75	56	-6.1855
76	56	-9.45317
77	56	-12.2742
78	56	-10.541
79	56	-6.79774
80	56	-4.09505
81	56	-1.98436
82	56	-0.632281
83	56	0.351429
84	56	0.876921
85	56	1.13155
86	56	1.05959
87	56	0.61545
88	56	-0.117499
89	56	-1.28092
90	56	-2.98
91	56	-5.37745
92	56	-8.69197
93	56	-12.0109
94	56	-10.2926
95	56	-6.51493
96	56	-3.66751
97	56	-1.60491
98	56	-0.13409
99	56	0.795624
100	56	1.40466
101	56	1.69994
102	56	1.72606
103	56	1.50597
104	56	1.02753
105	56	0.280994
106	56	-0.770664
107	56	-2.06886
108	56	-3.43493
109	56	-4.55285
110	56	-4.74962
111	56	-3.9079
112	56	-2.46937
113	56	-0.981019
114	56	0.246337
115	56	1.23589
116	56	1.97512
117	56	2.48663
118	56	2.80043
119	56	2.92539
120	56	2.8579
121	56	2.56719
122	56	2.13296

123	56	1.55332
124	56	0.864733
125	56	0.108896
126	56	-0.604988
127	56	-1.14647
128	56	-1.37369
129	56	-1.18518
130	56	-0.682506
131	56	0.0169933
132	56	0.720832
133	56	1.45292
134	56	2.07089
135	56	2.60299
136	56	3.00942
137	56	3.31395
138	56	3.51204
139	56	3.63369
140	56	3.65178
141	56	3.53062
142	56	3.38101
143	56	2.9804
144	56	2.91883
145	56	2.62891
146	56	2.33775
147	56	2.07067
148	56	1.81403
149	56	1.62873
150	56	1.49814
151	56	1.46518
152	56	1.51704
153	56	1.61356
154	56	1.7577
155	56	1.97219
156	56	2.19413
157	56	2.47557
158	56	2.76143
159	56	3.03852
160	56	3.34983
161	56	3.51005
162	56	3.71643
163	56	3.8732
164	56	4.02427
165	56	4.23458
166	56	4.30283
167	56	4.44059
168	56	4.52271
169	56	4.59554
170	56	4.6352
171	56	4.64635
172	56	4.67274
173	56	4.69117
174	56	4.71912
175	56	4.71964
176	56	4.71754
177	56	4.72535
178	56	4.72241
179	56	4.71589
180	56	4.70154
-180	57	4.88329
-179	57	4.87226
-178	57	4.8793
-177	57	4.87604
-176	57	4.85187
-175	57	4.82897
-174	57	4.78218
-173	57	4.72163
-172	57	4.6959
-171	57	4.67094
-170	57	4.62317
-169	57	4.5986
-168	57	4.55577
-167	57	4.50837
-166	57	4.45376
-165	57	4.39448
-164	57	4.31933
-163	57	4.2765
-162	57	4.15983
-161	57	4.06752
-160	57	3.91327
-159	57	3.82904
-158	57	3.67821
-157	57	3.54338
-156	57	3.40778
-155	57	3.25641
-154	57	3.07828
-153	57	2.90843
-152	57	2.63808
-151	57	2.42623
-150	57	2.18885
-149	57	1.94359
-148	57	1.71831
-147	57	1.54738
-146	57	1.3131
-145	57	1.17651
-144	57	1.10758

-143	57	1.01482
-142	57	1.0465
-141	57	1.14678
-140	57	1.31558
-139	57	1.5241
-138	57	1.78735
-137	57	2.06238
-136	57	2.32116
-135	57	2.5587
-134	57	2.71678
-133	57	2.8169
-132	57	2.85242
-131	57	2.81093
-130	57	2.67747
-129	57	2.44928
-128	57	2.0824
-127	57	1.59314
-126	57	0.961497
-125	57	0.17216
-124	57	-0.750129
-123	57	-1.78563
-122	57	-2.71132
-121	57	-3.34915
-120	57	-3.46189
-119	57	-2.97805
-118	57	-2.13785
-117	57	-1.14083
-116	57	-0.215304
-115	57	0.580446
-114	57	1.17684
-113	57	1.56693
-112	57	1.71576
-111	57	1.66692
-110	57	1.40193
-109	57	0.812829
-108	57	-0.079033
-107	57	-1.37795
-106	57	-3.19955
-105	57	-5.92377
-104	57	-9.55116
-103	57	-13.6514
-102	57	-11.7921
-101	57	-7.40362
-100	57	-4.28583
-99	57	-2.06672
-98	57	-0.645508
-97	57	0.449125
-96	57	0.975798
-95	57	1.25843
-94	57	1.19353
-93	57	0.777548
-92	57	-0.0252951
-91	57	-1.14489
-90	57	-2.88385
-89	57	-5.35964
-88	57	-8.57539
-87	57	-12.0211
-86	57	-10.0509
-85	57	-6.27698
-84	57	-3.50265
-83	57	-1.47717
-82	57	-0.115755
-81	57	0.710942
-80	57	1.29474
-79	57	1.5665
-78	57	1.60943
-77	57	1.37113
-76	57	0.854128
-75	57	0.0456322
-74	57	-1.053
-73	57	-2.42662
-72	57	-3.83005
-71	57	-4.84135
-70	57	-4.79233
-69	57	-3.74657
-68	57	-2.22763
-67	57	-0.784713
-66	57	0.395115
-65	57	1.32231
-64	57	1.9898
-63	57	2.42941
-62	57	2.64114
-61	57	2.67558
-60	57	2.4919
-59	57	2.13005
-58	57	1.6111
-57	57	0.942178
-56	57	0.157839
-55	57	-0.623776
-54	57	-1.27224
-53	57	-1.62723
-52	57	-1.51244
-51	57	-1.00476
-50	57	-0.306672
-49	57	0.508177

-48	57	1.30268
-47	57	1.99195
-46	57	2.58687
-45	57	3.05106
-44	57	3.37265
-43	57	3.59092
-42	57	3.72569
-41	57	3.76605
-40	57	3.70279
-39	57	3.53952
-38	57	3.33613
-37	57	3.07197
-36	57	2.82031
-35	57	2.52904
-34	57	2.23847
-33	57	1.9909
-32	57	1.79581
-31	57	1.63565
-30	57	1.63294
-29	57	1.70474
-28	57	1.83294
-27	57	2.0546
-26	57	2.28053
-25	57	2.51161
-24	57	2.78368
-23	57	3.03905
-22	57	3.32636
-21	57	3.51952
-20	57	3.82972
-19	57	4.00188
-18	57	4.18231
-17	57	4.3274
-16	57	4.48815
-15	57	4.64823
-14	57	4.73771
-13	57	4.82322
-12	57	4.90137
-11	57	4.96885
-10	57	5.01367
-9	57	4.9954
-8	57	5.0059
-7	57	5.00513
-6	57	5.01236
-5	57	5.00456
-4	57	4.99292
-3	57	4.96431
-2	57	4.94803
-1	57	4.93676
0	57	4.9142
1	57	4.87653
2	57	4.87317
3	57	4.85905
4	57	4.83025
5	57	4.79628
6	57	4.75099
7	57	4.70333
8	57	4.67604
9	57	4.63916
10	57	4.57669
11	57	4.55271
12	57	4.51761
13	57	4.46347
14	57	4.40641
15	57	4.34015
16	57	4.23805
17	57	4.18786
18	57	4.08634
19	57	4.00019
20	57	3.891
21	57	3.74023
22	57	3.60209
23	57	3.43086
24	57	3.30407
25	57	3.14619
26	57	2.96382
27	57	2.75776
28	57	2.49742
29	57	2.30828
30	57	2.07651
31	57	1.83912
32	57	1.62633
33	57	1.46159
34	57	1.22832
35	57	1.12761
36	57	1.08693
37	57	1.0118
38	57	1.05694
39	57	1.16966
40	57	1.3447
41	57	1.56603
42	57	1.81405
43	57	2.07712
44	57	2.31758
45	57	2.54225
46	57	2.68962

47	57	2.79002
48	57	2.80339
49	57	2.73346
50	57	2.60243
51	57	2.36458
52	57	2.01015
53	57	1.5075
54	57	0.866572
55	57	0.07267
56	57	-0.833775
57	57	-1.78147
58	57	-2.62894
59	57	-3.16137
60	57	-3.16956
61	57	-2.65572
62	57	-1.79126
63	57	-0.851358
64	57	0.0318828
65	57	0.785121
66	57	1.35853
67	57	1.71698
68	57	1.85067
69	57	1.77499
70	57	1.51283
71	57	0.909083
72	57	0.0668407
73	57	-1.18973
74	57	-2.96442
75	57	-5.57324
76	57	-8.78998
77	57	-12.4524
78	57	-11.4163
79	57	-7.34996
80	57	-4.27136
81	57	-2.06938
82	57	-0.606461
83	57	0.481443
84	57	1.05311
85	57	1.37612
86	57	1.34619
87	57	1.00518
88	57	0.282812
89	57	-0.765424
90	57	-2.37444
91	57	-4.55647
92	57	-7.41097
93	57	-10.9713
94	57	-10.453
95	57	-6.88393
96	57	-4.03445
97	57	-1.86056
98	57	-0.399175
99	57	0.530928
100	57	1.1469
101	57	1.4803
102	57	1.5536
103	57	1.3461
104	57	0.861085
105	57	0.128694
106	57	-0.925184
107	57	-2.20355
108	57	-3.55628
109	57	-4.58493
110	57	-4.64565
111	57	-3.76422
112	57	-2.3322
113	57	-0.929382
114	57	0.240716
115	57	1.14715
116	57	1.81227
117	57	2.25965
118	57	2.48693
119	57	2.53507
120	57	2.40584
121	57	2.04675
122	57	1.52883
123	57	0.920446
124	57	0.118797
125	57	-0.636866
126	57	-1.27973
127	57	-1.63965
128	57	-1.57261
129	57	-1.10346
130	57	-0.402316
131	57	0.360908
132	57	1.12978
133	57	1.82084
134	57	2.39579
135	57	2.88472
136	57	3.21872
137	57	3.48351
138	57	3.6193
139	57	3.64927
140	57	3.57894
141	57	3.39954

142	57	3.18977
143	57	2.90218
144	57	2.65844
145	57	2.36027
146	57	2.08254
147	57	1.83521
148	57	1.65267
149	57	1.53253
150	57	1.499
151	57	1.59334
152	57	1.76186
153	57	1.98695
154	57	2.23174
155	57	2.50813
156	57	2.78617
157	57	3.07937
158	57	3.37563
159	57	3.6004
160	57	3.90111
161	57	4.0654
162	57	4.24266
163	57	4.40307
164	57	4.52212
165	57	4.65877
166	57	4.76668
167	57	4.8396
168	57	4.91049
169	57	4.95813
170	57	4.99656
171	57	4.97274
172	57	4.9767
173	57	4.97254
174	57	4.98413
175	57	4.96993
176	57	4.95942
177	57	4.95041
178	57	4.93633
179	57	4.91081
180	57	4.88329
-180	58	5.00457
-179	58	4.98456
-178	58	4.96185
-177	58	4.93044
-176	58	4.90588
-175	58	4.90398
-174	58	4.89608
-173	58	4.87832
-172	58	4.84988
-171	58	4.79172
-170	58	4.75593
-169	58	4.75587
-168	58	4.72853
-167	58	4.7141
-166	58	4.64461
-165	58	4.60707
-164	58	4.5215
-163	58	4.49423
-162	58	4.37199
-161	58	4.29466
-160	58	4.17801
-159	58	4.04552
-158	58	3.89511
-157	58	3.76099
-156	58	3.60983
-155	58	3.43712
-154	58	3.24879
-153	58	3.08382
-152	58	2.8132
-151	58	2.58893
-150	58	2.3418
-149	58	2.08828
-148	58	1.84634
-147	58	1.58926
-146	58	1.31563
-145	58	1.14414
-144	58	1.00662
-143	58	0.880216
-142	58	0.878453
-141	58	0.954409
-140	58	1.10342
-139	58	1.31809
-138	58	1.57252
-137	58	1.86704
-136	58	2.16178
-135	58	2.44357
-134	58	2.64515
-133	58	2.77731
-132	58	2.84054
-131	58	2.83567
-130	58	2.74519
-129	58	2.52645
-128	58	2.19042
-127	58	1.72879
-126	58	1.12676
-125	58	0.33727

-124	58	-0.605246
-123	58	-1.66263
-122	58	-2.73932
-121	58	-3.60553
-120	58	-3.91912
-119	58	-3.53035
-118	58	-2.66687
-117	58	-1.61615
-116	58	-0.566805
-115	58	0.360194
-114	58	1.06764
-113	58	1.54271
-112	58	1.79075
-111	58	1.81901
-110	58	1.59318
-109	58	1.10159
-108	58	0.290162
-107	58	-0.899127
-106	58	-2.68755
-105	58	-5.15942
-104	58	-8.69101
-103	58	-13.5697
-102	58	-13.0109
-101	58	-8.24246
-100	58	-4.75451
-99	58	-2.38641
-98	58	-0.820836
-97	58	0.362613
-96	58	0.96315
-95	58	1.35885
-94	58	1.33011
-93	58	1.04874
-92	58	0.259903
-91	58	-0.755125
-90	58	-2.37585
-89	58	-4.72813
-88	58	-7.67516
-87	58	-11.3081
-86	58	-10.5173
-85	58	-6.87755
-84	58	-3.94597
-83	58	-1.82581
-82	58	-0.381257
-81	58	0.451626
-80	58	1.06626
-79	58	1.36211
-78	58	1.39159
-77	58	1.13251
-76	58	0.5474
-75	58	-0.292238
-74	58	-1.45117
-73	58	-2.8614
-72	58	-4.28843
-71	58	-5.21422
-70	58	-4.9441
-69	58	-3.75349
-68	58	-2.20611
-67	58	-0.788199
-66	58	0.34559
-65	58	1.21187
-64	58	1.81595
-63	58	2.18202
-62	58	2.33335
-61	58	2.28785
-60	58	2.02548
-59	58	1.55642
-58	58	0.934393
-57	58	0.178505
-56	58	-0.596395
-55	58	-1.32028
-54	58	-1.75447
-53	58	-1.76008
-52	58	-1.2834
-51	58	-0.607612
-50	58	0.277889
-49	58	1.13702
-48	58	1.84853
-47	58	2.49616
-46	58	3.0003
-45	58	3.37693
-44	58	3.63183
-43	58	3.76871
-42	58	3.82779
-41	58	3.80218
-40	58	3.68325
-39	58	3.47498
-38	58	3.22065
-37	58	2.93122
-36	58	2.64057
-35	58	2.35506
-34	58	2.11127
-33	58	1.89879
-32	58	1.74991
-31	58	1.7172
-30	58	1.80927

-29	58	2.00145
-28	58	2.25945
-27	58	2.55727
-26	58	2.85308
-25	58	3.13155
-24	58	3.41505
-23	58	3.67017
-22	58	3.93955
-21	58	4.12395
-20	58	4.37655
-19	58	4.57392
-18	58	4.7029
-17	58	4.82619
-16	58	4.94451
-15	58	5.03019
-14	58	5.16744
-13	58	5.17192
-12	58	5.22953
-11	58	5.27495
-10	58	5.28531
-9	58	5.2604
-8	58	5.24831
-7	58	5.21748
-6	58	5.19342
-5	58	5.13473
-4	58	5.14277
-3	58	5.10293
-2	58	5.07288
-1	58	5.05172
0	58	5.04621
1	58	5.04044
2	58	5.02936
3	58	4.98652
4	58	4.93034
5	58	4.89961
6	58	4.8852
7	58	4.88253
8	58	4.85287
9	58	4.78299
10	58	4.73567
11	58	4.73232
12	58	4.70898
13	58	4.66728
14	58	4.61746
15	58	4.56425
16	58	4.48581
17	58	4.43966
18	58	4.34051
19	58	4.26659
20	58	4.14806
21	58	3.99645
22	58	3.87336
23	58	3.73569
24	58	3.52435
25	58	3.40033
26	58	3.21043
27	58	2.99337
28	58	2.77958
29	58	2.52997
30	58	2.28049
31	58	2.02728
32	58	1.79471
33	58	1.53967
34	58	1.26722
35	58	1.10097
36	58	0.974423
37	58	0.84994
38	58	0.837768
39	58	0.919603
40	58	1.06732
41	58	1.27619
42	58	1.55144
43	58	1.82831
44	58	2.09879
45	58	2.34918
46	58	2.54499
47	58	2.67368
48	58	2.71207
49	58	2.70047
50	58	2.57143
51	58	2.35341
52	58	2.05752
53	58	1.58946
54	58	0.960051
55	58	0.162652
56	58	-0.776917
57	58	-1.82979
58	58	-2.85328
59	58	-3.60876
60	58	-3.81011
61	58	-3.32831
62	58	-2.42166
63	58	-1.35794
64	58	-0.308324
65	58	0.554706

66	58	1.24531
67	58	1.70052
68	58	1.9218
69	58	1.92138
70	58	1.70015
71	58	1.21123
72	58	0.393079
73	58	-0.787157
74	58	-2.53082
75	58	-4.93235
76	58	-8.26571
77	58	-12.5933
78	58	-12.5549
79	58	-8.11048
80	58	-4.59449
81	58	-2.25121
82	58	-0.661537
83	58	0.523213
84	58	1.1505
85	58	1.55468
86	58	1.56537
87	58	1.32588
88	58	0.604649
89	58	-0.352354
90	58	-1.84682
91	58	-3.98376
92	58	-6.70049
93	58	-10.4831
94	58	-11.0053
95	58	-7.61805
96	58	-4.55123
97	58	-2.24557
98	58	-0.713903
99	58	0.248415
100	58	0.943949
101	58	1.27274
102	58	1.35533
103	58	1.1393
104	58	0.646115
105	58	-0.144481
106	58	-1.23537
107	58	-2.54739
108	58	-3.92223
109	58	-4.88422
110	58	-4.80135
111	58	-3.83241
112	58	-2.37875
113	58	-1.00125
114	58	0.0928772
115	58	0.956218
116	58	1.58314
117	58	1.97228
118	58	2.13894
119	58	2.11235
120	58	1.90082
121	58	1.44959
122	58	0.855636
123	58	0.135793
124	58	-0.621864
125	58	-1.30029
126	58	-1.74527
127	58	-1.77565
128	58	-1.34897
129	58	-0.683137
130	58	0.146224
131	58	0.939572
132	58	1.69004
133	58	2.30951
134	58	2.80972
135	58	3.19645
136	58	3.48256
137	58	3.62914
138	58	3.67253
139	58	3.63836
140	58	3.5064
141	58	3.29124
142	58	3.03983
143	58	2.70817
144	58	2.42725
145	58	2.15072
146	58	1.91363
147	58	1.74492
148	58	1.63392
149	58	1.62953
150	58	1.74241
151	58	1.94487
152	58	2.23172
153	58	2.5492
154	58	2.8478
155	58	3.15841
156	58	3.45122
157	58	3.72495
158	58	4.02318
159	58	4.20318
160	58	4.43111

161	58	4.61186
162	58	4.74164
163	58	4.86619
164	58	4.97601
165	58	5.04693
166	58	5.1773
167	58	5.17619
168	58	5.22203
169	58	5.26334
170	58	5.27406
171	58	5.22904
172	58	5.21123
173	58	5.17789
174	58	5.14864
175	58	5.11242
176	58	5.08694
177	58	5.06544
178	58	5.04739
179	58	5.01958
180	58	5.00457
-180	59	4.98888
-179	59	4.96157
-178	59	4.89394
-177	59	4.82974
-176	59	4.81109
-175	59	4.84174
-174	59	4.867
-173	59	4.85803
-172	59	4.80968
-171	59	4.77472
-170	59	4.76952
-169	59	4.78713
-168	59	4.79775
-167	59	4.79083
-166	59	4.76065
-165	59	4.74286
-164	59	4.69027
-163	59	4.65759
-162	59	4.59065
-161	59	4.51971
-160	59	4.40709
-159	59	4.30383
-158	59	4.16522
-157	59	4.03786
-156	59	3.88742
-155	59	3.72476
-154	59	3.53306
-153	59	3.36224
-152	59	3.07957
-151	59	2.83651
-150	59	2.58489
-149	59	2.2999
-148	59	2.00645
-147	59	1.7078
-146	59	1.4268
-145	59	1.13963
-144	59	0.909373
-143	59	0.718012
-142	59	0.64811
-141	59	0.669171
-140	59	0.805045
-139	59	1.02521
-138	59	1.30302
-137	59	1.62595
-136	59	1.96545
-135	59	2.27888
-134	59	2.54708
-133	59	2.76393
-132	59	2.89586
-131	59	2.94144
-130	59	2.88962
-129	59	2.72328
-128	59	2.4837
-127	59	2.07237
-126	59	1.5181
-125	59	0.761256
-124	59	-0.175378
-123	59	-1.33358
-122	59	-2.53138
-121	59	-3.6442
-120	59	-4.40951
-119	59	-4.27821
-118	59	-3.47292
-117	59	-2.29041
-116	59	-1.09036
-115	59	-0.0385975
-114	59	0.791685
-113	59	1.38314
-112	59	1.74192
-111	59	1.84684
-110	59	1.70374
-109	59	1.31216
-108	59	0.574578
-107	59	-0.517232
-106	59	-2.19611

-105	59	-4.4518
-104	59	-7.73379
-103	59	-12.7736
-102	59	-14.5002
-101	59	-9.44237
-100	59	-5.38657
-99	59	-2.77843
-98	59	-0.963663
-97	59	0.26306
-96	59	0.927655
-95	59	1.38803
-94	59	1.43335
-93	59	1.25572
-92	59	0.47865
-91	59	-0.484846
-90	59	-2.018
-89	59	-4.25103
-88	59	-7.13806
-87	59	-11.1051
-86	59	-11.3709
-85	59	-7.68328
-84	59	-4.48888
-83	59	-2.24896
-82	59	-0.881774
-81	59	0.0607214
-80	59	0.720614
-79	59	1.04246
-78	59	1.05286
-77	59	0.781503
-76	59	0.169438
-75	59	-0.714492
-74	59	-1.90351
-73	59	-3.33737
-72	59	-4.73082
-71	59	-5.49269
-70	59	-4.98007
-69	59	-3.63943
-68	59	-2.12649
-67	59	-0.755496
-66	59	0.324455
-65	59	1.12806
-64	59	1.66522
-63	59	1.97037
-62	59	2.05865
-61	59	1.94135
-60	59	1.61199
-59	59	1.0616
-58	59	0.416074
-57	59	-0.288469
-56	59	-0.958737
-55	59	-1.47336
-54	59	-1.60596
-53	59	-1.31211
-52	59	-0.670989
-51	59	0.151078
-50	59	1.01467
-49	59	1.76854
-48	59	2.41273
-47	59	2.97903
-46	59	3.39524
-45	59	3.68636
-44	59	3.87038
-43	59	3.94931
-42	59	3.92986
-41	59	3.83012
-40	59	3.6562
-39	59	3.37445
-38	59	3.06234
-37	59	2.7778
-36	59	2.49482
-35	59	2.22142
-34	59	2.02647
-33	59	1.88971
-32	59	1.84368
-31	59	1.89791
-30	59	2.07842
-29	59	2.36658
-28	59	2.67077
-27	59	3.01386
-26	59	3.32625
-25	59	3.61231
-24	59	3.91209
-23	59	4.16201
-22	59	4.38205
-21	59	4.57527
-20	59	4.75141
-19	59	4.94425
-18	59	5.05338
-17	59	5.14783
-16	59	5.23581
-15	59	5.25295
-14	59	5.37467
-13	59	5.34461
-12	59	5.41158
-11	59	5.40693

-10	59	5.40504
-9	59	5.36763
-8	59	5.33361
-7	59	5.30172
-6	59	5.2463
-5	59	5.18628
-4	59	5.17147
-3	59	5.11672
-2	59	5.06777
-1	59	5.03141
0	59	5.03137
1	59	5.0186
2	59	4.98869
3	59	4.92648
4	59	4.88174
5	59	4.88984
6	59	4.9095
7	59	4.90494
8	59	4.85656
9	59	4.81893
10	59	4.81051
11	59	4.82276
12	59	4.81828
13	59	4.80781
14	59	4.79506
15	59	4.76944
16	59	4.70051
17	59	4.67544
18	59	4.57815
19	59	4.52548
20	59	4.41794
21	59	4.32067
22	59	4.19759
23	59	4.07402
24	59	3.92083
25	59	3.71747
26	59	3.56648
27	59	3.34412
28	59	3.08976
29	59	2.8646
30	59	2.59065
31	59	2.30552
32	59	2.00509
33	59	1.69761
34	59	1.41206
35	59	1.18488
36	59	0.952217
37	59	0.768126
38	59	0.667734
39	59	0.686783
40	59	0.793276
41	59	0.999364
42	59	1.24676
43	59	1.57614
44	59	1.88274
45	59	2.1862
46	59	2.43579
47	59	2.64369
48	59	2.74794
49	59	2.77248
50	59	2.70608
51	59	2.53256
52	59	2.24439
53	59	1.81054
54	59	1.27749
55	59	0.4963
56	59	-0.459164
57	59	-1.59047
58	59	-2.78196
59	59	-3.854
60	59	-4.47866
61	59	-4.21764
62	59	-3.30557
63	59	-2.09752
64	59	-0.89122
65	59	0.129746
66	59	0.947069
67	59	1.52223
68	59	1.87032
69	59	1.97324
70	59	1.83322
71	59	1.42957
72	59	0.697763
73	59	-0.376333
74	59	-2.05719
75	59	-4.20608
76	59	-7.43863
77	59	-12.0478
78	59	-14.1025
79	59	-9.41047
80	59	-5.34791
81	59	-2.70249
82	59	-0.87414
83	59	0.388563
84	59	1.0957

85	59	1.56911
86	59	1.63865
87	59	1.50288
88	59	0.784225
89	59	-0.115638
90	59	-1.53526
91	59	-3.60109
92	59	-6.33488
93	59	-10.4978
94	59	-12.1413
95	59	-8.7346
96	59	-5.2333
97	59	-2.75094
98	59	-1.16757
99	59	-0.119772
100	59	0.603646
101	59	1.03002
102	59	1.08049
103	59	0.870725
104	59	0.339279
105	59	-0.493249
106	59	-1.60547
107	59	-2.95029
108	59	-4.31568
109	59	-5.19826
110	59	-4.98832
111	59	-3.83033
112	59	-2.41862
113	59	-1.12049
114	59	-0.0151182
115	59	0.779842
116	59	1.34591
117	59	1.68144
118	59	1.78354
119	59	1.69025
120	59	1.41889
121	59	0.949802
122	59	0.352578
123	59	-0.342569
124	59	-0.987152
125	59	-1.44073
126	59	-1.57654
127	59	-1.31794
128	59	-0.709831
129	59	0.062268
130	59	0.855949
131	59	1.59997
132	59	2.24855
133	59	2.78057
134	59	3.19067
135	59	3.5199
136	59	3.67475
137	59	3.75809
138	59	3.72318
139	59	3.60864
140	59	3.4168
141	59	3.14106
142	59	2.83352
143	59	2.51556
144	59	2.23467
145	59	1.9842
146	59	1.79146
147	59	1.70605
148	59	1.72608
149	59	1.82384
150	59	2.04605
151	59	2.33367
152	59	2.66438
153	59	3.00524
154	59	3.32674
155	59	3.65853
156	59	3.95667
157	59	4.22117
158	59	4.45988
159	59	4.64976
160	59	4.80056
161	59	4.97035
162	59	5.06826
163	59	5.17084
164	59	5.25308
165	59	5.26937
166	59	5.38576
167	59	5.33598
168	59	5.38156
169	59	5.38237
170	59	5.38219
171	59	5.33805
172	59	5.29585
173	59	5.24235
174	59	5.18578
175	59	5.13818
176	59	5.10379
177	59	5.07173
178	59	5.0362
179	59	4.99954

180	59	4.98888
-180	60	4.7957
-179	60	4.74185
-178	60	4.65366
-177	60	4.59697
-176	60	4.59454
-175	60	4.6525
-174	60	4.69482
-173	60	4.67596
-172	60	4.65267
-171	60	4.61512
-170	60	4.64869
-169	60	4.68895
-168	60	4.72694
-167	60	4.74207
-166	60	4.75626
-165	60	4.7725
-164	60	4.74585
-163	60	4.72226
-162	60	4.6983
-161	60	4.6606
-160	60	4.58499
-159	60	4.5306
-158	60	4.43112
-157	60	4.33494
-156	60	4.20668
-155	60	4.04949
-154	60	3.86506
-153	60	3.68869
-152	60	3.40155
-151	60	3.18062
-150	60	2.89104
-149	60	2.56589
-148	60	2.29618
-147	60	1.97255
-146	60	1.63816
-145	60	1.27597
-144	60	0.932109
-143	60	0.682719
-142	60	0.498882
-141	60	0.435538
-140	60	0.47489
-139	60	0.642312
-138	60	0.904232
-137	60	1.25139
-136	60	1.6422
-135	60	2.01786
-134	60	2.35902
-133	60	2.64721
-132	60	2.85758
-131	60	2.97472
-130	60	2.99076
-129	60	2.90777
-128	60	2.70621
-127	60	2.36612
-126	60	1.91335
-125	60	1.25707
-124	60	0.375681
-123	60	-0.717462
-122	60	-1.98227
-121	60	-3.30798
-120	60	-4.44252
-119	60	-4.86174
-118	60	-4.31842
-117	60	-3.14182
-116	60	-1.76806
-115	60	-0.608151
-114	60	0.367007
-113	60	1.09296
-112	60	1.5744
-111	60	1.80501
-110	60	1.75961
-109	60	1.43294
-108	60	0.797645
-107	60	-0.210307
-106	60	-1.70743
-105	60	-3.71514
-104	60	-6.82682
-103	60	-11.5725
-102	60	-15.7248
-101	60	-10.8022
-100	60	-6.16687
-99	60	-3.30818
-98	60	-1.29951
-97	60	0.0176188
-96	60	0.773199
-95	60	1.28989
-94	60	1.39844
-93	60	1.24057
-92	60	0.527555
-91	60	-0.388606
-90	60	-1.89821
-89	60	-4.07168
-88	60	-7.1179
-87	60	-11.6328

-86	60	-13.0629
-85	60	-8.74222
-84	60	-5.07768
-83	60	-2.66637
-82	60	-1.27671
-81	60	-0.191785
-80	60	0.441023
-79	60	0.755744
-78	60	0.770511
-77	60	0.466324
-76	60	-0.147971
-75	60	-1.05768
-74	60	-2.28473
-73	60	-3.73594
-72	60	-5.07634
-71	60	-5.62289
-70	60	-4.92989
-69	60	-3.47013
-68	60	-1.98875
-67	60	-0.674116
-66	60	0.366312
-65	60	1.11954
-64	60	1.61941
-63	60	1.86381
-62	60	1.90224
-61	60	1.74767
-60	60	1.34869
-59	60	0.830758
-58	60	0.203997
-57	60	-0.425128
-56	60	-0.949805
-55	60	-1.23253
-54	60	-1.14453
-53	60	-0.678765
-52	60	0.0241773
-51	60	0.898617
-50	60	1.64469
-49	60	2.3208
-48	60	2.85302
-47	60	3.32739
-46	60	3.66506
-45	60	3.8979
-44	60	4.01777
-43	60	3.99751
-42	60	3.90067
-41	60	3.74457
-40	60	3.50872
-39	60	3.18943
-38	60	2.86574
-37	60	2.56445
-36	60	2.29854
-35	60	2.06468
-34	60	1.9057
-33	60	1.87897
-32	60	1.93492
-31	60	2.12464
-30	60	2.39307
-29	60	2.65144
-28	60	3.01462
-27	60	3.37171
-26	60	3.70546
-25	60	4.0213
-24	60	4.26755
-23	60	4.52242
-22	60	4.69101
-21	60	4.86461
-20	60	4.98094
-19	60	5.12288
-18	60	5.22256
-17	60	5.26654
-16	60	5.30837
-15	60	5.29466
-14	60	5.35536
-13	60	5.31363
-12	60	5.32744
-11	60	5.31141
-10	60	5.28297
-9	60	5.25881
-8	60	5.19916
-7	60	5.16851
-6	60	5.10123
-5	60	5.04175
-4	60	5.00171
-3	60	4.94489
-2	60	4.88026
-1	60	4.83633
0	60	4.83418
1	60	4.81185
2	60	4.76272
3	60	4.69234
4	60	4.67856
5	60	4.70306
6	60	4.75168
7	60	4.73356
8	60	4.70583

9	60	4.6714
10	60	4.70009
11	60	4.74167
12	60	4.76041
13	60	4.78356
14	60	4.79628
15	60	4.80039
16	60	4.77762
17	60	4.76333
18	60	4.73148
19	60	4.70284
20	60	4.64296
21	60	4.59503
22	60	4.50024
23	60	4.39916
24	60	4.26561
25	60	4.11163
26	60	3.94303
27	60	3.71885
28	60	3.46773
29	60	3.24789
30	60	2.94738
31	60	2.62235
32	60	2.34819
33	60	2.02889
34	60	1.69576
35	60	1.33998
36	60	0.993891
37	60	0.744153
38	60	0.616074
39	60	0.537558
40	60	0.566995
41	60	0.716326
42	60	0.954008
43	60	1.26854
44	60	1.62173
45	60	1.98543
46	60	2.30445
47	60	2.57932
48	60	2.76545
49	60	2.86505
50	60	2.87614
51	60	2.7607
52	60	2.54497
53	60	2.17704
54	60	1.6736
55	60	1.03863
56	60	0.132075
57	60	-0.980377
58	60	-2.27296
59	60	-3.63017
60	60	-4.70023
61	60	-5.01762
62	60	-4.34905
63	60	-3.08694
64	60	-1.71135
65	60	-0.519931
66	60	0.455639
67	60	1.18928
68	60	1.66371
69	60	1.88447
70	60	1.83981
71	60	1.51038
72	60	0.882051
73	60	-0.107043
74	60	-1.60142
75	60	-3.55299
76	60	-6.57168
77	60	-11.1075
78	60	-15.382
79	60	-10.9107
80	60	-6.22082
81	60	-3.28788
82	60	-1.25803
83	60	0.117463
84	60	0.92581
85	60	1.4465
86	60	1.58012
87	60	1.45918
88	60	0.799074
89	60	-0.0914576
90	60	-1.49794
91	60	-3.56481
92	60	-6.48248
93	60	-11.1133
94	60	-14.0288
95	60	-9.66187
96	60	-5.63906
97	60	-3.03703
98	60	-1.42894
99	60	-0.268253
100	60	0.44672
101	60	0.831496
102	60	0.917311
103	60	0.654782

104	60	0.11179
105	60	-0.750699
106	60	-1.90615
107	60	-3.30567
108	60	-4.67779
109	60	-5.45759
110	60	-5.0545
111	60	-3.82669
112	60	-2.39463
113	60	-1.09402
114	60	-0.0461322
115	60	0.77194
116	60	1.29806
117	60	1.58178
118	60	1.64426
119	60	1.5199
120	60	1.21313
121	60	0.746327
122	60	0.198502
123	60	-0.392719
124	60	-0.872895
125	60	-1.14756
126	60	-1.07176
127	60	-0.663654
128	60	-0.00752184
129	60	0.74175
130	60	1.47162
131	60	2.11886
132	60	2.66907
133	60	3.16346
134	60	3.47539
135	60	3.68293
136	60	3.78445
137	60	3.75382
138	60	3.66203
139	60	3.49151
140	60	3.26025
141	60	2.95844
142	60	2.63661
143	60	2.33081
144	60	2.06256
145	60	1.85408
146	60	1.73099
147	60	1.74971
148	60	1.88551
149	60	2.11559
150	60	2.39897
151	60	2.73659
152	60	3.08877
153	60	3.44751
154	60	3.73447
155	60	4.03574
156	60	4.31554
157	60	4.56223
158	60	4.78384
159	60	4.935
160	60	5.04664
161	60	5.16594
162	60	5.25121
163	60	5.30049
164	60	5.33909
165	60	5.32543
166	60	5.35375
167	60	5.31489
168	60	5.29961
169	60	5.29747
170	60	5.26115
171	60	5.21702
172	60	5.16373
173	60	5.11287
174	60	5.04454
175	60	4.9911
176	60	4.94484
177	60	4.90433
178	60	4.85695
179	60	4.81937
180	60	4.7957
-180	61	4.48309
-179	61	4.41027
-178	61	4.31696
-177	61	4.28922
-176	61	4.32486
-175	61	4.37062
-174	61	4.43602
-173	61	4.44236
-172	61	4.44147
-171	61	4.43777
-170	61	4.49028
-169	61	4.5391
-168	61	4.58293
-167	61	4.62597
-166	61	4.65208
-165	61	4.68719
-164	61	4.68763
-163	61	4.71486

-162	61	4.72649
-161	61	4.70297
-160	61	4.67883
-159	61	4.66673
-158	61	4.59117
-157	61	4.51427
-156	61	4.43413
-155	61	4.3122
-154	61	4.14779
-153	61	3.98425
-152	61	3.76082
-151	61	3.54539
-150	61	3.22222
-149	61	2.99054
-148	61	2.67306
-147	61	2.31892
-146	61	1.9799
-145	61	1.56499
-144	61	1.11724
-143	61	0.796465
-142	61	0.496349
-141	61	0.288007
-140	61	0.183294
-139	61	0.230883
-138	61	0.41819
-137	61	0.73717
-136	61	1.14107
-135	61	1.55261
-134	61	1.95688
-133	61	2.34038
-132	61	2.64851
-131	61	2.86015
-130	61	2.97469
-129	61	2.989
-128	61	2.88356
-127	61	2.62932
-126	61	2.22425
-125	61	1.63053
-124	61	0.9093
-123	61	-0.0530497
-122	61	-1.2217
-121	61	-2.61801
-120	61	-4.02064
-119	61	-4.99252
-118	61	-4.9992
-117	61	-4.00827
-116	61	-2.61753
-115	61	-1.28394
-114	61	-0.159584
-113	61	0.713449
-112	61	1.31904
-111	61	1.63421
-110	61	1.71126
-109	61	1.47367
-108	61	0.973397
-107	61	0.0999656
-106	61	-1.24793
-105	61	-3.03729
-104	61	-5.832
-103	61	-10.1297
-102	61	-15.8074
-101	61	-12.5623
-100	61	-7.24487
-99	61	-3.97517
-98	61	-1.79092
-97	61	-0.372233
-96	61	0.513371
-95	61	1.07329
-94	61	1.2503
-93	61	1.08237
-92	61	0.434819
-91	61	-0.522684
-90	61	-1.99523
-89	61	-4.16155
-88	61	-7.4835
-87	61	-12.5615
-86	61	-14.5019
-85	61	-9.21609
-84	61	-5.28365
-83	61	-2.9706
-82	61	-1.41711
-81	61	-0.361186
-80	61	0.313423
-79	61	0.621626
-78	61	0.624961
-77	61	0.320545
-76	61	-0.319882
-75	61	-1.28078
-74	61	-2.52313
-73	61	-3.92122
-72	61	-5.10345
-71	61	-5.36582
-70	61	-4.54029
-69	61	-3.03435
-68	61	-1.64728

-67	61	-0.407406
-66	61	0.57299
-65	61	1.28491
-64	61	1.73205
-63	61	1.94227
-62	61	1.93686
-61	61	1.69915
-60	61	1.3265
-59	61	0.799828
-58	61	0.215006
-57	61	-0.347752
-56	61	-0.77243
-55	61	-0.900261
-54	61	-0.685456
-53	61	-0.202263
-52	61	0.566654
-51	61	1.31054
-50	61	2.04791
-49	61	2.65258
-48	61	3.1136
-47	61	3.50529
-46	61	3.77212
-45	61	3.91663
-44	61	3.97098
-43	61	3.89523
-42	61	3.73865
-41	61	3.51432
-40	61	3.23533
-39	61	2.90985
-38	61	2.56332
-37	61	2.25499
-36	61	2.02558
-35	61	1.8546
-34	61	1.81886
-33	61	1.90611
-32	61	2.0463
-31	61	2.31015
-30	61	2.65337
-29	61	3.00846
-28	61	3.35781
-27	61	3.71639
-26	61	3.99854
-25	61	4.29403
-24	61	4.54743
-23	61	4.75777
-22	61	4.90209
-21	61	5.04679
-20	61	5.11748
-19	61	5.16729
-18	61	5.25845
-17	61	5.27892
-16	61	5.28137
-15	61	5.2479
-14	61	5.21688
-13	61	5.1865
-12	61	5.12439
-11	61	5.08894
-10	61	5.03164
-9	61	4.98156
-8	61	4.91993
-7	61	4.85262
-6	61	4.79677
-5	61	4.72844
-4	61	4.69764
-3	61	4.63797
-2	61	4.56973
-1	61	4.53268
0	61	4.51718
1	61	4.48477
2	61	4.42003
3	61	4.38217
4	61	4.38601
5	61	4.42633
6	61	4.49179
7	61	4.48544
8	61	4.49112
9	61	4.48235
10	61	4.52599
11	61	4.5833
12	61	4.62168
13	61	4.66344
14	61	4.70037
15	61	4.73094
16	61	4.7439
17	61	4.75046
18	61	4.76463
19	61	4.74684
20	61	4.74232
21	61	4.74139
22	61	4.66863
23	61	4.60351
24	61	4.50922
25	61	4.3816
26	61	4.21378
27	61	4.04573

28	61	3.8415
29	61	3.6118
30	61	3.2808
31	61	3.06596
32	61	2.7431
33	61	2.40413
34	61	2.07349
35	61	1.6732
36	61	1.24154
37	61	0.949074
38	61	0.654653
39	61	0.42469
40	61	0.322222
41	61	0.375407
42	61	0.570055
43	61	0.858492
44	61	1.22682
45	61	1.6223
46	61	1.99384
47	61	2.33384
48	61	2.62828
49	61	2.81811
50	61	2.91831
51	61	2.91172
52	61	2.78612
53	61	2.52759
54	61	2.10097
55	61	1.49906
56	61	0.707829
57	61	-0.242024
58	61	-1.4751
59	61	-2.90329
60	61	-4.30341
61	61	-5.23771
62	61	-5.13146
63	61	-4.04925
64	61	-2.63392
65	61	-1.26626
66	61	-0.124834
67	61	0.752165
68	61	1.35275
69	61	1.67117
70	61	1.74171
71	61	1.51486
72	61	1.01321
73	61	0.160776
74	61	-1.17442
75	61	-2.91964
76	61	-5.67084
77	61	-9.88037
78	61	-15.6838
79	61	-12.7057
80	61	-7.38787
81	61	-4.02775
82	61	-1.80583
83	61	-0.321876
84	61	0.581287
85	61	1.18844
86	61	1.40161
87	61	1.27119
88	61	0.676245
89	61	-0.240769
90	61	-1.676
91	61	-3.77995
92	61	-6.86469
93	61	-11.915
94	61	-15.3362
95	61	-10.0597
96	61	-5.73464
97	61	-3.14536
98	61	-1.47088
99	61	-0.303584
100	61	0.392802
101	61	0.743875
102	61	0.789603
103	61	0.542603
104	61	-0.0409903
105	61	-0.946606
106	61	-2.12113
107	61	-3.50414
108	61	-4.8208
109	61	-5.42484
110	61	-4.8769
111	61	-3.51031
112	61	-2.11826
113	61	-0.85058
114	61	0.185192
115	61	0.956103
116	61	1.43541
117	61	1.68372
118	61	1.71228
119	61	1.56233
120	61	1.23196
121	61	0.762236
122	61	0.240027

123	61	-0.268129
124	61	-0.640106
125	61	-0.788963
126	61	-0.622232
127	61	-0.153446
128	61	0.513278
129	61	1.20519
130	61	1.8775
131	61	2.52045
132	61	2.99295
133	61	3.34294
134	61	3.60797
135	61	3.73234
136	61	3.75479
137	61	3.65836
138	61	3.48416
139	61	3.27263
140	61	3.00956
141	61	2.70389
142	61	2.38394
143	61	2.08634
144	61	1.85805
145	61	1.74731
146	61	1.77037
147	61	1.88851
148	61	2.12248
149	61	2.40005
150	61	2.73277
151	61	3.11548
152	61	3.47926
153	61	3.81411
154	61	4.10215
155	61	4.376
156	61	4.64145
157	61	4.84623
158	61	5.01398
159	61	5.1197
160	61	5.18294
161	61	5.23728
162	61	5.30638
163	61	5.31508
164	61	5.3119
165	61	5.27036
166	61	5.2289
167	61	5.19784
168	61	5.11467
169	61	5.06822
170	61	4.99851
171	61	4.94312
172	61	4.86439
173	61	4.79599
174	61	4.70867
175	61	4.66265
176	61	4.6222
177	61	4.58249
178	61	4.55208
179	61	4.51952
180	61	4.48309
-180	62	4.12304
-179	62	4.04491
-178	62	3.98184
-177	62	3.98493
-176	62	4.04015
-175	62	4.08107
-174	62	4.13713
-173	62	4.15893
-172	62	4.19782
-171	62	4.21438
-170	62	4.28856
-169	62	4.3522
-168	62	4.42672
-167	62	4.48459
-166	62	4.51712
-165	62	4.58648
-164	62	4.6054
-163	62	4.62687
-162	62	4.67527
-161	62	4.68464
-160	62	4.6973
-159	62	4.7348
-158	62	4.6832
-157	62	4.65604
-156	62	4.57267
-155	62	4.48971
-154	62	4.38164
-153	62	4.24438
-152	62	4.11232
-151	62	3.89606
-150	62	3.70344
-149	62	3.441
-148	62	3.13739
-147	62	2.79458
-146	62	2.45589
-145	62	2.05028
-144	62	1.51896

-143	62	1.16387
-142	62	0.780963
-141	62	0.446542
-140	62	0.202648
-139	62	0.0968436
-138	62	0.142502
-137	62	0.352866
-136	62	0.70313
-135	62	1.08758
-134	62	1.50842
-133	62	1.93226
-132	62	2.29203
-131	62	2.57649
-130	62	2.77743
-129	62	2.86882
-128	62	2.84112
-127	62	2.6826
-126	62	2.39268
-125	62	1.93423
-124	62	1.29962
-123	62	0.46113
-122	62	-0.521208
-121	62	-1.7474
-120	62	-3.11394
-119	62	-4.40237
-118	62	-5.09559
-117	62	-4.61369
-116	62	-3.44313
-115	62	-2.02964
-114	62	-0.745909
-113	62	0.237285
-112	62	0.977067
-111	62	1.39894
-110	62	1.54062
-109	62	1.39246
-108	62	0.991152
-107	62	0.203681
-106	62	-0.972659
-105	62	-2.6414
-104	62	-5.15772
-103	62	-9.03435
-102	62	-14.4594
-101	62	-13.4804
-100	62	-8.44945
-99	62	-4.78863
-98	62	-2.34573
-97	62	-0.781635
-96	62	0.182486
-95	62	0.777258
-94	62	1.02121
-93	62	0.840554
-92	62	0.272891
-91	62	-0.717176
-90	62	-2.20799
-89	62	-4.43834
-88	62	-7.92638
-87	62	-13.3168
-86	62	-15.1439
-85	62	-9.31514
-84	62	-5.29085
-83	62	-2.99508
-82	62	-1.40858
-81	62	-0.309636
-80	62	0.37624
-79	62	0.771117
-78	62	0.76656
-77	62	0.431738
-76	62	-0.230034
-75	62	-1.18767
-74	62	-2.46656
-73	62	-3.82799
-72	62	-4.90853
-71	62	-5.04739
-70	62	-4.19666
-69	62	-2.67859
-68	62	-1.35471
-67	62	-0.204394
-66	62	0.730655
-65	62	1.39442
-64	62	1.81216
-63	62	1.94797
-62	62	1.90775
-61	62	1.67507
-60	62	1.28004
-59	62	0.756917
-58	62	0.190516
-57	62	-0.330537
-56	62	-0.67768
-55	62	-0.719407
-54	62	-0.398274
-53	62	0.107372
-52	62	0.858221
-51	62	1.56858
-50	62	2.18483
-49	62	2.73456

-48	62	3.13808
-47	62	3.49175
-46	62	3.71008
-45	62	3.80549
-44	62	3.79511
-43	62	3.68699
-42	62	3.46975
-41	62	3.18315
-40	62	2.89191
-39	62	2.57798
-38	62	2.2499
-37	62	1.98461
-36	62	1.77935
-35	62	1.71478
-34	62	1.78399
-33	62	1.95694
-32	62	2.25051
-31	62	2.60964
-30	62	2.95977
-29	62	3.31705
-28	62	3.67182
-27	62	3.98516
-26	62	4.25968
-25	62	4.50667
-24	62	4.75624
-23	62	4.92949
-22	62	5.01671
-21	62	5.10819
-20	62	5.16534
-19	62	5.15759
-18	62	5.22488
-17	62	5.22785
-16	62	5.2077
-15	62	5.13216
-14	62	5.03648
-13	62	4.98919
-12	62	4.90217
-11	62	4.83509
-10	62	4.74558
-9	62	4.6742
-8	62	4.59877
-7	62	4.51389
-6	62	4.43652
-5	62	4.39636
-4	62	4.37223
-3	62	4.305
-2	62	4.24844
-1	62	4.2219
0	62	4.18292
1	62	4.13119
2	62	4.08319
3	62	4.06498
4	62	4.09209
5	62	4.11586
6	62	4.17868
7	62	4.22039
8	62	4.23449
9	62	4.2552
10	62	4.32177
11	62	4.38526
12	62	4.45152
13	62	4.51722
14	62	4.56244
15	62	4.62311
16	62	4.64839
17	62	4.68405
18	62	4.73453
19	62	4.76695
20	62	4.78229
21	62	4.81055
22	62	4.76754
23	62	4.72849
24	62	4.66729
25	62	4.58098
26	62	4.4705
27	62	4.34507
28	62	4.16683
29	62	3.93506
30	62	3.72972
31	62	3.4646
32	62	3.14668
33	62	2.82687
34	62	2.49985
35	62	2.10915
36	62	1.61257
37	62	1.26906
38	62	0.891541
39	62	0.570684
40	62	0.346097
41	62	0.257154
42	62	0.316425
43	62	0.526862
44	62	0.849982
45	62	1.21249
46	62	1.60011

47	62	2.02328
48	62	2.37869
49	62	2.65015
50	62	2.81532
51	62	2.8978
52	62	2.85738
53	62	2.69842
54	62	2.3858
55	62	1.92228
56	62	1.26505
57	62	0.408754
58	62	-0.64585
59	62	-1.90638
60	62	-3.26745
61	62	-4.58214
62	62	-5.21572
63	62	-4.71966
64	62	-3.50138
65	62	-2.07617
66	62	-0.765143
67	62	0.262461
68	62	0.997876
69	62	1.43021
70	62	1.57681
71	62	1.44971
72	62	1.04085
73	62	0.282093
74	62	-0.872802
75	62	-2.52044
76	62	-4.99751
77	62	-8.75073
78	62	-14.2379
79	62	-14.0918
80	62	-8.75141
81	62	-4.88681
82	62	-2.45956
83	62	-0.797988
84	62	0.195994
85	62	0.838175
86	62	1.12304
87	62	0.965637
88	62	0.441028
89	62	-0.460811
90	62	-1.92599
91	62	-4.05495
92	62	-7.40879
93	62	-12.7293
94	62	-16.0214
95	62	-9.97249
96	62	-5.64714
97	62	-3.14101
98	62	-1.43114
99	62	-0.268184
100	62	0.460318
101	62	0.847601
102	62	0.909765
103	62	0.611346
104	62	0.0129756
105	62	-0.923551
106	62	-2.15163
107	62	-3.55826
108	62	-4.82027
109	62	-5.33721
110	62	-4.67775
111	62	-3.23374
112	62	-1.84582
113	62	-0.629371
114	62	0.359231
115	62	1.10474
116	62	1.55995
117	62	1.76776
118	62	1.79393
119	62	1.61854
120	62	1.2708
121	62	0.79715
122	62	0.289356
123	62	-0.179414
124	62	-0.486824
125	62	-0.528066
126	62	-0.308451
127	62	0.176976
128	62	0.809838
129	62	1.53784
130	62	2.13105
131	62	2.62632
132	62	3.02921
133	62	3.35305
134	62	3.53225
135	62	3.63291
136	62	3.60506
137	62	3.49752
138	62	3.24728
139	62	2.98414
140	62	2.69364
141	62	2.39992

142	62	2.10559
143	62	1.86721
144	62	1.692
145	62	1.68174
146	62	1.81371
147	62	2.03612
148	62	2.36967
149	62	2.75437
150	62	3.13703
151	62	3.48385
152	62	3.83967
153	62	4.13845
154	62	4.39197
155	62	4.62677
156	62	4.85901
157	62	5.03082
158	62	5.15368
159	62	5.21197
160	62	5.24707
161	62	5.23572
162	62	5.27295
163	62	5.25392
164	62	5.21467
165	62	5.1436
166	62	5.02767
167	62	4.9869
168	62	4.87284
169	62	4.78793
170	62	4.70981
171	62	4.61941
172	62	4.52012
173	62	4.44364
174	62	4.34959
175	62	4.31294
176	62	4.26509
177	62	4.20932
178	62	4.19804
179	62	4.17642
180	62	4.12304
-180	63	3.84256
-179	63	3.79161
-178	63	3.76582
-177	63	3.7787
-176	63	3.79287
-175	63	3.80283
-174	63	3.85159
-173	63	3.88945
-172	63	3.92461
-171	63	3.96336
-170	63	4.041
-169	63	4.11183
-168	63	4.18392
-167	63	4.23389
-166	63	4.29822
-165	63	4.3762
-164	63	4.39955
-163	63	4.45422
-162	63	4.50009
-161	63	4.54896
-160	63	4.57961
-159	63	4.64039
-158	63	4.61663
-157	63	4.63786
-156	63	4.62192
-155	63	4.61229
-154	63	4.54572
-153	63	4.43638
-152	63	4.32862
-151	63	4.19446
-150	63	4.01398
-149	63	3.8153
-148	63	3.55149
-147	63	3.23297
-146	63	2.90984
-145	63	2.5329
-144	63	1.99346
-143	63	1.60806
-142	63	1.17901
-141	63	0.784374
-140	63	0.451429
-139	63	0.165297
-138	63	0.0484341
-137	63	0.0843309
-136	63	0.302627
-135	63	0.61058
-134	63	1.01057
-133	63	1.43201
-132	63	1.83329
-131	63	2.1951
-130	63	2.4654
-129	63	2.63043
-128	63	2.68927
-127	63	2.61718
-126	63	2.41085
-125	63	2.05161

-124	63	1.51495
-123	63	0.801087
-122	63	-0.0837568
-121	63	-1.18658
-120	63	-2.56848
-119	63	-4.0067
-118	63	-4.96002
-117	63	-4.86034
-116	63	-3.85951
-115	63	-2.47232
-114	63	-1.22946
-113	63	-0.20031
-112	63	0.631225
-111	63	1.15389
-110	63	1.38169
-109	63	1.34043
-108	63	1.00522
-107	63	0.315977
-106	63	-0.72263
-105	63	-2.32685
-104	63	-4.64689
-103	63	-8.11155
-102	63	-13.3492
-101	63	-14.4582
-100	63	-9.29365
-99	63	-5.40386
-98	63	-2.82659
-97	63	-1.13786
-96	63	-0.0641492
-95	63	0.562665
-94	63	0.863019
-93	63	0.669579
-92	63	0.155144
-91	63	-0.83173
-90	63	-2.37345
-89	63	-4.61903
-88	63	-8.33945
-87	63	-13.9313
-86	63	-14.3852
-85	63	-8.64841
-84	63	-4.80355
-83	63	-2.75351
-82	63	-1.20112
-81	63	-0.163117
-80	63	0.479632
-79	63	0.799898
-78	63	0.778074
-77	63	0.429866
-76	63	-0.206337
-75	63	-1.19011
-74	63	-2.41099
-73	63	-3.77959
-72	63	-4.78348
-71	63	-4.84915
-70	63	-3.94227
-69	63	-2.42415
-68	63	-1.15231
-67	63	-0.0489205
-66	63	0.862101
-65	63	1.46178
-64	63	1.8024
-63	63	1.95154
-62	63	1.87399
-61	63	1.6057
-60	63	1.17177
-59	63	0.631834
-58	63	0.0451493
-57	63	-0.467747
-56	63	-0.76967
-55	63	-0.741303
-54	63	-0.393407
-53	63	0.258574
-52	63	0.956418
-51	63	1.69232
-50	63	2.29295
-49	63	2.80818
-48	63	3.21167
-47	63	3.48314
-46	63	3.64703
-45	63	3.65954
-44	63	3.60394
-43	63	3.39806
-42	63	3.11313
-41	63	2.79962
-40	63	2.48142
-39	63	2.17943
-38	63	1.92996
-37	63	1.72042
-36	63	1.63086
-35	63	1.68061
-34	63	1.82916
-33	63	2.11343
-32	63	2.46905
-31	63	2.86958
-30	63	3.26494

-29	63	3.63558
-28	63	3.98661
-27	63	4.26009
-26	63	4.49128
-25	63	4.68822
-24	63	4.86099
-23	63	5.01216
-22	63	5.07426
-21	63	5.13473
-20	63	5.15997
-19	63	5.08874
-18	63	5.12107
-17	63	5.11103
-16	63	5.04448
-15	63	4.97644
-14	63	4.85415
-13	63	4.76608
-12	63	4.68294
-11	63	4.58664
-10	63	4.48555
-9	63	4.43831
-8	63	4.32878
-7	63	4.27838
-6	63	4.165
-5	63	4.11648
-4	63	4.0703
-3	63	4.01461
-2	63	3.97414
-1	63	3.94673
0	63	3.91182
1	63	3.8953
2	63	3.8752
3	63	3.85243
4	63	3.8551
5	63	3.86098
6	63	3.91173
7	63	3.91692
8	63	4.02046
9	63	4.02173
10	63	4.07025
11	63	4.1379
12	63	4.2043
13	63	4.26749
14	63	4.33386
15	63	4.42218
16	63	4.44857
17	63	4.53278
18	63	4.59281
19	63	4.63894
20	63	4.69502
21	63	4.75502
22	63	4.7497
23	63	4.76981
24	63	4.75046
25	63	4.70786
26	63	4.64566
27	63	4.53994
28	63	4.40707
29	63	4.24535
30	63	4.0699
31	63	3.82615
32	63	3.56953
33	63	3.24458
34	63	2.91936
35	63	2.55253
36	63	2.02981
37	63	1.67518
38	63	1.24703
39	63	0.854444
40	63	0.539539
41	63	0.314652
42	63	0.212728
43	63	0.260646
44	63	0.463442
45	63	0.7729
46	63	1.17755
47	63	1.57371
48	63	1.98132
49	63	2.31935
50	63	2.56356
51	63	2.74092
52	63	2.79426
53	63	2.71804
54	63	2.5002
55	63	2.13376
56	63	1.57082
57	63	0.811789
58	63	-0.0834715
59	63	-1.18849
60	63	-2.63073
61	63	-4.09233
62	63	-4.99245
63	63	-4.91463
64	63	-3.91209
65	63	-2.5243

66	63	-1.25455
67	63	-0.200056
68	63	0.66376
69	63	1.19382
70	63	1.42897
71	63	1.39453
72	63	1.06933
73	63	0.401643
74	63	-0.609122
75	63	-2.16265
76	63	-4.4089
77	63	-7.79021
78	63	-12.9958
79	63	-15.2943
80	63	-9.90042
81	63	-5.62778
82	63	-3.03308
83	63	-1.23731
84	63	-0.105849
85	63	0.549505
86	63	0.911733
87	63	0.744213
88	63	0.283734
89	63	-0.665502
90	63	-2.15548
91	63	-4.29701
92	63	-7.80188
93	63	-13.228
94	63	-15.1519
95	63	-9.18924
96	63	-5.16592
97	63	-2.88332
98	63	-1.23965
99	63	-0.135349
100	63	0.556777
101	63	0.886479
102	63	0.881001
103	63	0.576545
104	63	-0.0330842
105	63	-0.989129
106	63	-2.21973
107	63	-3.60701
108	63	-4.83416
109	63	-5.16727
110	63	-4.45509
111	63	-2.91748
112	63	-1.57517
113	63	-0.412596
114	63	0.538974
115	63	1.24318
116	63	1.66648
117	63	1.86021
118	63	1.82141
119	63	1.60488
120	63	1.23479
121	63	0.758597
122	63	0.218078
123	63	-0.236518
124	63	-0.510663
125	63	-0.499504
126	63	-0.215838
127	63	0.381433
128	63	1.0087
129	63	1.60162
130	63	2.19475
131	63	2.71723
132	63	3.08987
133	63	3.32605
134	63	3.48015
135	63	3.50019
136	63	3.39839
137	63	3.18669
138	63	2.91595
139	63	2.57561
140	63	2.295
141	63	2.07223
142	63	1.8657
143	63	1.71605
144	63	1.65225
145	63	1.74933
146	63	1.96768
147	63	2.28649
148	63	2.66444
149	63	3.06746
150	63	3.46849
151	63	3.82125
152	63	4.16113
153	63	4.42094
154	63	4.63229
155	63	4.81261
156	63	4.9893
157	63	5.11906
158	63	5.20075
159	63	5.21905
160	63	5.22495

161	63	5.15206
162	63	5.16426
163	63	5.10645
164	63	5.03852
165	63	4.9675
166	63	4.82467
167	63	4.74241
168	63	4.61995
169	63	4.52731
170	63	4.42559
171	63	4.34408
172	63	4.26003
173	63	4.1774
174	63	4.08391
175	63	4.02396
176	63	3.97293
177	63	3.92587
178	63	3.90602
179	63	3.88757
180	63	3.84256
-180	64	3.57471
-179	64	3.55303
-178	64	3.5385
-177	64	3.51857
-176	64	3.51381
-175	64	3.53079
-174	64	3.59927
-173	64	3.66373
-172	64	3.69783
-171	64	3.75374
-170	64	3.82903
-169	64	3.89516
-168	64	3.96416
-167	64	4.02993
-166	64	4.0757
-165	64	4.16426
-164	64	4.21957
-163	64	4.29026
-162	64	4.34885
-161	64	4.41793
-160	64	4.47866
-159	64	4.54466
-158	64	4.5492
-157	64	4.5755
-156	64	4.58777
-155	64	4.58513
-154	64	4.56753
-153	64	4.48843
-152	64	4.4592
-151	64	4.35935
-150	64	4.20811
-149	64	4.06331
-148	64	3.81845
-147	64	3.55283
-146	64	3.28407
-145	64	3.00742
-144	64	2.53157
-143	64	2.1411
-142	64	1.71903
-141	64	1.28547
-140	64	0.854487
-139	64	0.471251
-138	64	0.170535
-137	64	0.0281154
-136	64	0.0942218
-135	64	0.269926
-134	64	0.611828
-133	64	1.01409
-132	64	1.44101
-131	64	1.83457
-130	64	2.14941
-129	64	2.36535
-128	64	2.48474
-127	64	2.49083
-126	64	2.39092
-125	64	2.11053
-124	64	1.61884
-123	64	0.94426
-122	64	0.0665463
-121	64	-1.00092
-120	64	-2.2987
-119	64	-3.59111
-118	64	-4.67954
-117	64	-4.90274
-116	64	-4.12536
-115	64	-2.85481
-114	64	-1.56951
-113	64	-0.45293
-112	64	0.451154
-111	64	0.974654
-110	64	1.22439
-109	64	1.19219
-108	64	0.97438
-107	64	0.432659
-106	64	-0.521736

-105	64	-2.04758
-104	64	-4.2415
-103	64	-7.48788
-102	64	-12.3076
-101	64	-14.9046
-100	64	-10.0477
-99	64	-5.8396
-98	64	-3.17286
-97	64	-1.42757
-96	64	-0.194247
-95	64	0.452926
-94	64	0.790179
-93	64	0.608691
-92	64	0.155882
-91	64	-0.786614
-90	64	-2.34945
-89	64	-4.66708
-88	64	-8.40975
-87	64	-13.8751
-86	64	-14.3029
-85	64	-8.59769
-84	64	-4.98122
-83	64	-2.69762
-82	64	-1.09626
-81	64	-0.0644074
-80	64	0.527513
-79	64	0.88635
-78	64	0.860232
-77	64	0.499742
-76	64	-0.16514
-75	64	-1.16558
-74	64	-2.44708
-73	64	-3.93264
-72	64	-5.03239
-71	64	-4.89936
-70	64	-3.7964
-69	64	-2.27974
-68	64	-1.02788
-67	64	0.025685
-66	64	0.848477
-65	64	1.41592
-64	64	1.74205
-63	64	1.85798
-62	64	1.72686
-61	64	1.41638
-60	64	0.940587
-59	64	0.355728
-58	64	-0.251232
-57	64	-0.748209
-56	64	-0.96544
-55	64	-0.82643
-54	64	-0.381551
-53	64	0.396139
-52	64	1.12619
-51	64	1.82517
-50	64	2.43953
-49	64	2.91325
-48	64	3.23401
-47	64	3.45507
-46	64	3.55792
-45	64	3.52847
-44	64	3.38047
-43	64	3.12791
-42	64	2.86079
-41	64	2.58963
-40	64	2.25317
-39	64	1.94727
-38	64	1.73463
-37	64	1.57572
-36	64	1.58597
-35	64	1.77078
-34	64	2.03881
-33	64	2.37667
-32	64	2.76802
-31	64	3.18335
-30	64	3.58162
-29	64	3.93805
-28	64	4.2357
-27	64	4.47976
-26	64	4.69786
-25	64	4.85516
-24	64	4.94676
-23	64	5.092
-22	64	5.11487
-21	64	5.15127
-20	64	5.15583
-19	64	5.08083
-18	64	5.0568
-17	64	5.02067
-16	64	4.94803
-15	64	4.84986
-14	64	4.71838
-13	64	4.60728
-12	64	4.48539
-11	64	4.36995

-10	64	4.23945
-9	64	4.15213
-8	64	4.05086
-7	64	3.97141
-6	64	3.8941
-5	64	3.86111
-4	64	3.7721
-3	64	3.76466
-2	64	3.74276
-1	64	3.70844
0	64	3.65116
1	64	3.65517
2	64	3.61931
3	64	3.60022
4	64	3.58521
5	64	3.59259
6	64	3.66145
7	64	3.74123
8	64	3.78216
9	64	3.83978
10	64	3.8677
11	64	3.93216
12	64	3.99818
13	64	4.04986
14	64	4.10303
15	64	4.19634
16	64	4.2486
17	64	4.34313
18	64	4.40606
19	64	4.48138
20	64	4.55889
21	64	4.63932
22	64	4.65937
23	64	4.69133
24	64	4.7096
25	64	4.7109
26	64	4.70423
27	64	4.6288
28	64	4.55553
29	64	4.4413
30	64	4.28573
31	64	4.10365
32	64	3.88002
33	64	3.61318
34	64	3.34373
35	64	3.03333
36	64	2.55611
37	64	2.15112
38	64	1.74367
39	64	1.30581
40	64	0.898838
41	64	0.552832
42	64	0.285764
43	64	0.147473
44	64	0.187609
45	64	0.402805
46	64	0.766564
47	64	1.17554
48	64	1.59313
49	64	1.97233
50	64	2.23765
51	64	2.47313
52	64	2.59314
53	64	2.59623
54	64	2.49467
55	64	2.21589
56	64	1.72157
57	64	1.0197
58	64	0.123402
59	64	-0.983307
60	64	-2.30378
61	64	-3.6507
62	64	-4.74204
63	64	-4.99399
64	64	-4.21919
65	64	-2.90217
66	64	-1.58724
67	64	-0.452667
68	64	0.419924
69	64	0.994447
70	64	1.27652
71	64	1.25905
72	64	1.06492
73	64	0.583773
74	64	-0.361346
75	64	-1.83248
76	64	-3.9209
77	64	-7.04505
78	64	-11.8336
79	64	-15.5601
80	64	-10.7803
81	64	-6.26304
82	64	-3.45494
83	64	-1.56716
84	64	-0.264577

85	64	0.424418
86	64	0.806033
87	64	0.658607
88	64	0.274714
89	64	-0.629346
90	64	-2.12317
91	64	-4.36078
92	64	-7.89222
93	64	-13.1605
94	64	-14.9213
95	64	-9.10953
96	64	-5.22904
97	64	-2.8171
98	64	-1.15829
99	64	-0.0463235
100	64	0.590415
101	64	0.927561
102	64	0.931849
103	64	0.602413
104	64	-0.0553463
105	64	-0.989423
106	64	-2.28308
107	64	-3.83934
108	64	-5.08636
109	64	-5.21563
110	64	-4.21319
111	64	-2.69654
112	64	-1.37966
113	64	-0.26577
114	64	0.644567
115	64	1.29504
116	64	1.67987
117	64	1.8383
118	64	1.76617
119	64	1.50495
120	64	1.08724
121	64	0.554115
122	64	-0.0445941
123	64	-0.530435
124	64	-0.762286
125	64	-0.644111
126	64	-0.166033
127	64	0.429661
128	64	1.07985
129	64	1.72726
130	64	2.33878
131	64	2.7749
132	64	3.09846
133	64	3.29526
134	64	3.36276
135	64	3.34432
136	64	3.18905
137	64	2.99054
138	64	2.72474
139	64	2.42512
140	64	2.13835
141	64	1.90576
142	64	1.74176
143	64	1.66827
144	64	1.7222
145	64	1.93661
146	64	2.23833
147	64	2.60151
148	64	2.99023
149	64	3.39645
150	64	3.78355
151	64	4.12338
152	64	4.39296
153	64	4.61258
154	64	4.80728
155	64	4.94939
156	64	5.0738
157	64	5.15591
158	64	5.20789
159	64	5.21612
160	64	5.20315
161	64	5.10287
162	64	5.06477
163	64	4.98813
164	64	4.90948
165	64	4.81155
166	64	4.67215
167	64	4.54474
168	64	4.42362
169	64	4.2974
170	64	4.16897
171	64	4.06705
172	64	3.97287
173	64	3.88749
174	64	3.82118
175	64	3.77015
176	64	3.71574
177	64	3.67221
178	64	3.64667
179	64	3.61719

180	64	3.57471
-180	65	3.29527
-179	65	3.32874
-178	65	3.33706
-177	65	3.30066
-176	65	3.27108
-175	65	3.26598
-174	65	3.28962
-173	65	3.34995
-172	65	3.38819
-171	65	3.45772
-170	65	3.53707
-169	65	3.64857
-168	65	3.74917
-167	65	3.78914
-166	65	3.84483
-165	65	3.9318
-164	65	4.04916
-163	65	4.11394
-162	65	4.14577
-161	65	4.24418
-160	65	4.31492
-159	65	4.38355
-158	65	4.42673
-157	65	4.44997
-156	65	4.49848
-155	65	4.52164
-154	65	4.51046
-153	65	4.50866
-152	65	4.43135
-151	65	4.3984
-150	65	4.28983
-149	65	4.17137
-148	65	3.99883
-147	65	3.79949
-146	65	3.56328
-145	65	3.28688
-144	65	2.87618
-143	65	2.52656
-142	65	2.13305
-141	65	1.69954
-140	65	1.27275
-139	65	0.852963
-138	65	0.494812
-137	65	0.23848
-136	65	0.167904
-135	65	0.202357
-134	65	0.413213
-133	65	0.73073
-132	65	1.13453
-131	65	1.46332
-130	65	1.71202
-129	65	2.07566
-128	65	2.35603
-127	65	2.41722
-126	65	2.34213
-125	65	2.11288
-124	65	1.69283
-123	65	1.06851
-122	65	0.245453
-121	65	-0.792604
-120	65	-2.05045
-119	65	-3.36186
-118	65	-4.5137
-117	65	-4.96983
-116	65	-4.45954
-115	65	-3.24824
-114	65	-1.93024
-113	65	-0.752631
-112	65	0.181986
-111	65	0.800375
-110	65	1.17792
-109	65	1.23593
-108	65	1.04038
-107	65	0.485146
-106	65	-0.411997
-105	65	-2.00098
-104	65	-3.97519
-103	65	-6.97989
-102	65	-11.6437
-101	65	-15.1908
-100	65	-10.4991
-99	65	-6.33914
-98	65	-3.45906
-97	65	-1.56069
-96	65	-0.153112
-95	65	0.530193
-94	65	0.822715
-93	65	0.57704
-92	65	0.148492
-91	65	-0.849499
-90	65	-2.34356
-89	65	-4.60766
-88	65	-8.20049
-87	65	-13.5054

-86	65	-14.0907
-85	65	-8.57302
-84	65	-5.13422
-83	65	-2.77592
-82	65	-1.16481
-81	65	-0.0996945
-80	65	0.581326
-79	65	0.869296
-78	65	0.835314
-77	65	0.440546
-76	65	-0.259638
-75	65	-1.26968
-74	65	-2.53577
-73	65	-3.89706
-72	65	-4.84692
-71	65	-4.79097
-70	65	-3.81078
-69	65	-2.33315
-68	65	-1.09378
-67	65	-0.0244279
-66	65	0.823059
-65	65	1.34408
-64	65	1.62138
-63	65	1.64353
-62	65	1.47768
-61	65	1.13682
-60	65	0.668596
-59	65	0.0924669
-58	65	-0.440638
-57	65	-0.846774
-56	65	-0.979147
-55	65	-0.724226
-54	65	-0.233207
-53	65	0.5575
-52	65	1.30182
-51	65	1.99409
-50	65	2.57434
-49	65	2.96103
-48	65	3.24522
-47	65	3.42588
-46	65	3.44435
-45	65	3.39418
-44	65	3.21244
-43	65	2.97653
-42	65	2.66156
-41	65	2.33261
-40	65	2.03037
-39	65	1.77387
-38	65	1.62286
-37	65	1.58095
-36	65	1.70435
-35	65	1.95607
-34	65	2.2729
-33	65	2.66908
-32	65	3.13493
-31	65	3.5745
-30	65	3.93477
-29	65	4.22391
-28	65	4.45632
-27	65	4.68154
-26	65	4.85212
-25	65	4.97423
-24	65	5.04206
-23	65	5.10575
-22	65	5.09032
-21	65	5.10087
-20	65	5.07521
-19	65	4.9927
-18	65	4.90103
-17	65	4.81831
-16	65	4.71361
-15	65	4.58243
-14	65	4.46389
-13	65	4.30207
-12	65	4.17856
-11	65	4.03297
-10	65	3.90056
-9	65	3.77443
-8	65	3.72803
-7	65	3.61297
-6	65	3.54748
-5	65	3.49728
-4	65	3.44409
-3	65	3.42004
-2	65	3.4142
-1	65	3.38885
0	65	3.36091
1	65	3.38238
2	65	3.38534
3	65	3.35788
4	65	3.31121
5	65	3.31734
6	65	3.35416
7	65	3.41242
8	65	3.45176

9	65	3.50996
10	65	3.58326
11	65	3.66446
12	65	3.75893
13	65	3.80539
14	65	3.86002
15	65	3.95334
16	65	4.05149
17	65	4.14179
18	65	4.19718
19	65	4.28753
20	65	4.36729
21	65	4.4571
22	65	4.56496
23	65	4.55056
24	65	4.59273
25	65	4.6299
26	65	4.6024
27	65	4.56893
28	65	4.56812
29	65	4.49541
30	65	4.37563
31	65	4.27268
32	65	4.07971
33	65	3.87303
34	65	3.62517
35	65	3.35375
36	65	2.9322
37	65	2.54496
38	65	2.14442
39	65	1.71801
40	65	1.29621
41	65	0.903614
42	65	0.576129
43	65	0.341282
44	65	0.257814
45	65	0.309094
46	65	0.53396
47	65	0.866157
48	65	1.26573
49	65	1.60231
50	65	1.83061
51	65	2.21391
52	65	2.47836
53	65	2.53659
54	65	2.45529
55	65	2.20803
56	65	1.78982
57	65	1.17036
58	65	0.341254
59	65	-0.721425
60	65	-1.98494
61	65	-3.33509
62	65	-4.55599
63	65	-5.1014
64	65	-4.59593
65	65	-3.33175
66	65	-1.98761
67	65	-0.772352
68	65	0.17842
69	65	0.835103
70	65	1.21634
71	65	1.31631
72	65	1.14446
73	65	0.618784
74	65	-0.242424
75	65	-1.7747
76	65	-3.6663
77	65	-6.54558
78	65	-10.9136
79	65	-15.4217
80	65	-11.2738
81	65	-6.82263
82	65	-3.75976
83	65	-1.7306
84	65	-0.218955
85	65	0.515537
86	65	0.851387
87	65	0.66052
88	65	0.277337
89	65	-0.646166
90	65	-2.07944
91	65	-4.25337
92	65	-7.64868
93	65	-12.7219
94	65	-14.5446
95	65	-9.11252
96	65	-5.40727
97	65	-2.92608
98	65	-1.24279
99	65	-0.125387
100	65	0.583288
101	65	0.892512
102	65	0.871802
103	65	0.534535

104	65	-0.143333
105	65	-1.13003
106	65	-2.36806
107	65	-3.77521
108	65	-4.89657
109	65	-5.00514
110	65	-4.15015
111	65	-2.7251
112	65	-1.42256
113	65	-0.236243
114	65	0.673964
115	65	1.25001
116	65	1.56937
117	65	1.6497
118	65	1.52354
119	65	1.24229
120	65	0.824171
121	65	0.312945
122	65	-0.216254
123	65	-0.634687
124	65	-0.754163
125	65	-0.544117
126	65	-0.0793014
127	65	0.527633
128	65	1.25891
129	65	1.88897
130	65	2.41957
131	65	2.84289
132	65	3.11725
133	65	3.26463
134	65	3.3219
135	65	3.26385
136	65	3.08771
137	65	2.84017
138	65	2.55866
139	65	2.27683
140	65	1.99566
141	65	1.81474
142	65	1.73428
143	65	1.76526
144	65	1.91196
145	65	2.1764
146	65	2.51009
147	65	2.90646
148	65	3.33474
149	65	3.72086
150	65	4.07884
151	65	4.34887
152	65	4.5644
153	65	4.75914
154	65	4.91192
155	65	5.0147
156	65	5.08768
157	65	5.12144
158	65	5.12339
159	65	5.10588
160	65	5.06422
161	65	4.96949
162	65	4.87083
163	65	4.76567
164	65	4.66224
165	65	4.52988
166	65	4.4054
167	65	4.23085
168	65	4.10741
169	65	3.97246
170	65	3.83993
171	65	3.72016
172	65	3.63338
173	65	3.54203
174	65	3.47259
175	65	3.41924
176	65	3.37759
177	65	3.33832
178	65	3.30963
179	65	3.28858
180	65	3.29527
-180	66	2.93433
-179	66	2.99692
-178	66	2.99568
-177	66	2.93529
-176	66	2.8942
-175	66	2.93103
-174	66	2.96573
-173	66	3.04874
-172	66	3.10437
-171	66	3.17839
-170	66	3.23554
-169	66	3.29685
-168	66	3.34365
-167	66	3.43033
-166	66	3.52716
-165	66	3.67252
-164	66	3.78318
-163	66	3.86451

-162	66	3.91644
-161	66	4.0144
-160	66	4.08898
-159	66	4.1565
-158	66	4.22509
-157	66	4.27721
-156	66	4.33998
-155	66	4.37746
-154	66	4.45299
-153	66	4.41127
-152	66	4.37985
-151	66	4.37518
-150	66	4.29333
-149	66	4.21701
-148	66	4.10263
-147	66	3.93815
-146	66	3.72434
-145	66	3.48472
-144	66	3.16582
-143	66	2.807
-142	66	2.46267
-141	66	2.00362
-140	66	1.60885
-139	66	1.1426
-138	66	0.750351
-137	66	0.442332
-136	66	0.269857
-135	66	0.226448
-134	66	0.336715
-133	66	0.549736
-132	66	0.920136
-131	66	1.33174
-130	66	1.74239
-129	66	2.03341
-128	66	2.26536
-127	66	2.36129
-126	66	2.31756
-125	66	2.13185
-124	66	1.76779
-123	66	1.2235
-122	66	0.448833
-121	66	-0.472458
-120	66	-1.66379
-119	66	-3.02994
-118	66	-4.40078
-117	66	-5.13435
-116	66	-4.89711
-115	66	-3.7621
-114	66	-2.3921
-113	66	-1.13712
-112	66	-0.115806
-111	66	0.62267
-110	66	1.0707
-109	66	1.22974
-108	66	1.07763
-107	66	0.60436
-106	66	-0.178258
-105	66	-1.59479
-104	66	-3.51175
-103	66	-6.46249
-102	66	-11.2611
-101	66	-16.3479
-100	66	-11.3932
-99	66	-6.70821
-98	66	-3.72598
-97	66	-1.79347
-96	66	-0.389174
-95	66	0.315751
-94	66	0.664732
-93	66	0.490227
-92	66	0.148319
-91	66	-0.809308
-90	66	-2.30118
-89	66	-4.50784
-88	66	-8.03263
-87	66	-13.3012
-86	66	-14.1618
-85	66	-8.84767
-84	66	-5.26088
-83	66	-2.82678
-82	66	-1.17422
-81	66	-0.14707
-80	66	0.512056
-79	66	0.786451
-78	66	0.749148
-77	66	0.361423
-76	66	-0.348828
-75	66	-1.39163
-74	66	-2.68898
-73	66	-4.04809
-72	66	-4.95702
-71	66	-4.81692
-70	66	-3.7866
-69	66	-2.36033
-68	66	-1.16027

-67	66	-0.190325
-66	66	0.587895
-65	66	1.1798
-64	66	1.49025
-63	66	1.53646
-62	66	1.358
-61	66	0.976328
-60	66	0.449876
-59	66	-0.156972
-58	66	-0.707295
-57	66	-1.0467
-56	66	-1.04672
-55	66	-0.654648
-54	66	-0.0733171
-53	66	0.756139
-52	66	1.52551
-51	66	2.16999
-50	66	2.65723
-49	66	3.04488
-48	66	3.28446
-47	66	3.38251
-46	66	3.40074
-45	66	3.30679
-44	66	3.07523
-43	66	2.81388
-42	66	2.52794
-41	66	2.22414
-40	66	1.91793
-39	66	1.70883
-38	66	1.64786
-37	66	1.69079
-36	66	1.85088
-35	66	2.14861
-34	66	2.51304
-33	66	2.90536
-32	66	3.31007
-31	66	3.69611
-30	66	4.06392
-29	66	4.36577
-28	66	4.60982
-27	66	4.83753
-26	66	4.94855
-25	66	5.00068
-24	66	5.01142
-23	66	5.03869
-22	66	4.95802
-21	66	4.92396
-20	66	4.86985
-19	66	4.79303
-18	66	4.62189
-17	66	4.50846
-16	66	4.36637
-15	66	4.1893
-14	66	4.08995
-13	66	3.92952
-12	66	3.78783
-11	66	3.63856
-10	66	3.45747
-9	66	3.33913
-8	66	3.25174
-7	66	3.16128
-6	66	3.11082
-5	66	3.07517
-4	66	3.02459
-3	66	3.01779
-2	66	2.99104
-1	66	2.98724
0	66	2.99846
1	66	3.03741
2	66	3.04198
3	66	2.9912
4	66	2.94945
5	66	2.97014
6	66	3.00366
7	66	3.08715
8	66	3.13378
9	66	3.20375
10	66	3.2354
11	66	3.27361
12	66	3.32575
13	66	3.39838
14	66	3.50228
15	66	3.65706
16	66	3.70487
17	66	3.84547
18	66	3.94841
19	66	4.0216
20	66	4.11879
21	66	4.18924
22	66	4.27024
23	66	4.33832
24	66	4.40061
25	66	4.44445
26	66	4.53478
27	66	4.44375

28	66	4.4688
29	66	4.44795
30	66	4.38782
31	66	4.29029
32	66	4.1699
33	66	4.0051
34	66	3.79492
35	66	3.54605
36	66	3.20078
37	66	2.83049
38	66	2.43602
39	66	2.01163
40	66	1.57869
41	66	1.15944
42	66	0.798598
43	66	0.500765
44	66	0.340931
45	66	0.33724
46	66	0.458338
47	66	0.682742
48	66	1.08121
49	66	1.50219
50	66	1.87945
51	66	2.15505
52	66	2.38347
53	66	2.48185
54	66	2.43978
55	66	2.25349
56	66	1.90093
57	66	1.35819
58	66	0.614212
59	66	-0.350367
60	66	-1.55256
61	66	-2.94518
62	66	-4.33452
63	66	-5.27802
64	66	-5.04876
65	66	-3.8829
66	66	-2.46792
67	66	-1.17254
68	66	-0.119983
69	66	0.631464
70	66	1.10594
71	66	1.28702
72	66	1.16349
73	66	0.725086
74	66	-0.0326985
75	66	-1.37934
76	66	-3.20614
77	66	-6.06068
78	66	-10.6987
79	66	-16.2255
80	66	-12.2422
81	66	-7.14649
82	66	-4.02214
83	66	-1.97887
84	66	-0.465667
85	66	0.33468
86	66	0.734376
87	66	0.629362
88	66	0.326076
89	66	-0.557663
90	66	-1.94049
91	66	-4.08773
92	66	-7.44955
93	66	-12.4414
94	66	-14.7061
95	66	-9.36087
96	66	-5.5651
97	66	-3.00989
98	66	-1.28701
99	66	-0.182376
100	66	0.497826
101	66	0.817218
102	66	0.806544
103	66	0.450711
104	66	-0.248437
105	66	-1.23628
106	66	-2.51129
107	66	-3.92279
108	66	-5.01956
109	66	-5.09146
110	66	-4.14329
111	66	-2.68952
112	66	-1.44215
113	66	-0.400502
114	66	0.446029
115	66	1.1016
116	66	1.48206
117	66	1.5585
118	66	1.41931
119	66	1.09306
120	66	0.599761
121	66	0.0441804
122	66	-0.482168

123	66	-0.825007
124	66	-0.853366
125	66	-0.527461
126	66	0.0279656
127	66	0.752013
128	66	1.43656
129	66	2.05553
130	66	2.55858
131	66	2.94341
132	66	3.19913
133	66	3.29782
134	66	3.2943
135	66	3.19175
136	66	2.98675
137	66	2.7303
138	66	2.46169
139	66	2.18365
140	66	1.94671
141	66	1.77242
142	66	1.77206
143	66	1.85963
144	66	2.05561
145	66	2.33269
146	66	2.69395
147	66	3.0805
148	66	3.48031
149	66	3.84089
150	66	4.18046
151	66	4.46206
152	66	4.70238
153	66	4.89346
154	66	4.99724
155	66	5.01987
156	66	5.02916
157	66	5.02434
158	66	4.96665
159	66	4.89989
160	66	4.83429
161	66	4.74302
162	66	4.57231
163	66	4.4464
164	66	4.28632
165	66	4.12624
166	66	3.99313
167	66	3.80182
168	66	3.69048
169	66	3.54985
170	66	3.38248
171	66	3.24569
172	66	3.17243
173	66	3.07149
174	66	3.04766
175	66	3.00451
176	66	2.95625
177	66	2.92152
178	66	2.89922
179	66	2.90037
180	66	2.93433
-180	67	2.59251
-179	67	2.67432
-178	67	2.65568
-177	67	2.57382
-176	67	2.52996
-175	67	2.57701
-174	67	2.59841
-173	67	2.67665
-172	67	2.77847
-171	67	2.84676
-170	67	2.87647
-169	67	2.998
-168	67	3.06507
-167	67	3.14176
-166	67	3.22253
-165	67	3.32421
-164	67	3.42026
-163	67	3.49877
-162	67	3.6069
-161	67	3.72605
-160	67	3.85341
-159	67	3.8758
-158	67	3.98054
-157	67	4.06594
-156	67	4.1379
-155	67	4.23165
-154	67	4.27041
-153	67	4.27522
-152	67	4.2939
-151	67	4.31931
-150	67	4.28067
-149	67	4.2299
-148	67	4.14911
-147	67	4.03484
-146	67	3.88544
-145	67	3.66949
-144	67	3.40542

-143	67	3.05455
-142	67	2.68181
-141	67	2.27253
-140	67	1.83844
-139	67	1.40413
-138	67	1.00304
-137	67	0.758946
-136	67	0.425488
-135	67	0.160138
-134	67	0.227492
-133	67	0.479891
-132	67	0.817736
-131	67	1.31644
-130	67	1.6156
-129	67	1.95
-128	67	2.19608
-127	67	2.30683
-126	67	2.37863
-125	67	2.23501
-124	67	1.91339
-123	67	1.41066
-122	67	0.709928
-121	67	-0.216036
-120	67	-1.38045
-119	67	-2.77076
-118	67	-4.19649
-117	67	-5.21163
-116	67	-5.24197
-115	67	-4.28379
-114	67	-2.98839
-113	67	-1.65871
-112	67	-0.515316
-111	67	0.344416
-110	67	0.892689
-109	67	1.13171
-108	67	1.06445
-107	67	0.671814
-106	67	-0.0392381
-105	67	-1.35128
-104	67	-3.14915
-103	67	-5.86062
-102	67	-10.2422
-101	67	-15.8173
-100	67	-12.14
-99	67	-7.41607
-98	67	-4.15867
-97	67	-2.06266
-96	67	-0.554565
-95	67	0.219671
-94	67	0.568039
-93	67	0.485074
-92	67	0.120138
-91	67	-0.792754
-90	67	-2.241
-89	67	-4.43834
-88	67	-7.92068
-87	67	-13.2546
-86	67	-14.2865
-85	67	-9.05062
-84	67	-5.35609
-83	67	-2.90887
-82	67	-1.26111
-81	67	-0.218467
-80	67	0.449671
-79	67	0.722243
-78	67	0.648891
-77	67	0.234616
-76	67	-0.530609
-75	67	-1.58283
-74	67	-2.91057
-73	67	-4.37909
-72	67	-5.44332
-71	67	-5.33547
-70	67	-4.13355
-69	67	-2.55586
-68	67	-1.17862
-67	67	-0.112269
-66	67	0.663545
-65	67	1.14655
-64	67	1.37262
-63	67	1.34065
-62	67	1.2202
-61	67	0.887605
-60	67	0.2606
-59	67	-0.334309
-58	67	-0.823697
-57	67	-1.04658
-56	67	-0.911562
-55	67	-0.424569
-54	67	0.189757
-53	67	0.995669
-52	67	1.72329
-51	67	2.32416
-50	67	2.78313
-49	67	3.13887

-48	67	3.34823
-47	67	3.45078
-46	67	3.42126
-45	67	3.2506
-44	67	2.99832
-43	67	2.66954
-42	67	2.29994
-41	67	1.97958
-40	67	1.68951
-39	67	1.53565
-38	67	1.56444
-37	67	1.74868
-36	67	1.99467
-35	67	2.34924
-34	67	2.72489
-33	67	3.12865
-32	67	3.53386
-31	67	3.89974
-30	67	4.21724
-29	67	4.45085
-28	67	4.6168
-27	67	4.77706
-26	67	4.87614
-25	67	4.95777
-24	67	4.98657
-23	67	4.96374
-22	67	4.79237
-21	67	4.65868
-20	67	4.5514
-19	67	4.50466
-18	67	4.25104
-17	67	4.09388
-16	67	3.93418
-15	67	3.74109
-14	67	3.58881
-13	67	3.41676
-12	67	3.28613
-11	67	3.12653
-10	67	2.94348
-9	67	2.82739
-8	67	2.76134
-7	67	2.6881
-6	67	2.65399
-5	67	2.58889
-4	67	2.56648
-3	67	2.58336
-2	67	2.5894
-1	67	2.59841
0	67	2.63823
1	67	2.68248
2	67	2.67522
3	67	2.60929
4	67	2.5961
5	67	2.60566
6	67	2.62728
7	67	2.70559
8	67	2.79066
9	67	2.84504
10	67	2.85358
11	67	2.97768
12	67	3.0277
13	67	3.09118
14	67	3.17117
15	67	3.25606
16	67	3.3506
17	67	3.43073
18	67	3.56314
19	67	3.70711
20	67	3.82944
21	67	3.87279
22	67	3.99005
23	67	4.07719
24	67	4.16232
25	67	4.25825
26	67	4.31753
27	67	4.27683
28	67	4.33978
29	67	4.34928
30	67	4.31693
31	67	4.27528
32	67	4.19389
33	67	4.06828
34	67	3.89891
35	67	3.6872
36	67	3.39325
37	67	3.06404
38	67	2.68034
39	67	2.26428
40	67	1.81975
41	67	1.36703
42	67	0.964225
43	67	0.788736
44	67	0.479115
45	67	0.240175
46	67	0.342756

47	67	0.584843
48	67	0.95149
49	67	1.31822
50	67	1.73023
51	67	2.07568
52	67	2.33249
53	67	2.48355
54	67	2.49826
55	67	2.35428
56	67	2.03963
57	67	1.55612
58	67	0.870701
59	67	-0.0659801
60	67	-1.22621
61	67	-2.60605
62	67	-4.06463
63	67	-5.20528
64	67	-5.47024
65	67	-4.53228
66	67	-3.11355
67	67	-1.69045
68	67	-0.486392
69	67	0.402441
70	67	0.981336
71	67	1.23058
72	67	1.1766
73	67	0.917004
74	67	0.176701
75	67	-1.09111
76	67	-2.82006
77	67	-5.41342
78	67	-9.59172
79	67	-15.5762
80	67	-13.2136
81	67	-8.04628
82	67	-4.53344
83	67	-2.31135
84	67	-0.673258
85	67	0.175594
86	67	0.606977
87	67	0.582173
88	67	0.301244
89	67	-0.556067
90	67	-1.91594
91	67	-4.05082
92	67	-7.39511
93	67	-12.4804
94	67	-15.0335
95	67	-9.61305
96	67	-5.70751
97	67	-3.09446
98	67	-1.37321
99	67	-0.283252
100	67	0.425451
101	67	0.748156
102	67	0.710209
103	67	0.328585
104	67	-0.368174
105	67	-1.43974
106	67	-2.76706
107	67	-4.25288
108	67	-5.49443
109	67	-5.59274
110	67	-4.49578
111	67	-2.86914
112	67	-1.42361
113	67	-0.278614
114	67	0.541094
115	67	1.07651
116	67	1.37993
117	67	1.37329
118	67	1.30554
119	67	1.00599
120	67	0.435466
121	67	-0.162
122	67	-0.604508
123	67	-0.805852
124	67	-0.714734
125	67	-0.298793
126	67	0.3328
127	67	1.0244
128	67	1.69509
129	67	2.26126
130	67	2.73254
131	67	3.08492
132	67	3.29743
133	67	3.3726
134	67	3.30515
135	67	3.12759
136	67	2.89408
137	67	2.59355
138	67	2.26524
139	67	1.97099
140	67	1.75032
141	67	1.62544

142	67	1.66681
143	67	1.84737
144	67	2.11488
145	67	2.47439
146	67	2.84997
147	67	3.24569
148	67	3.61957
149	67	3.95015
150	67	4.25116
151	67	4.47835
152	67	4.62968
153	67	4.75068
154	67	4.85088
155	67	4.91025
156	67	4.95508
157	67	4.92114
158	67	4.77072
159	67	4.61708
160	67	4.50488
161	67	4.43917
162	67	4.18631
163	67	4.035
164	67	3.84671
165	67	3.66448
166	67	3.53748
167	67	3.3469
168	67	3.22097
169	67	3.06681
170	67	2.91255
171	67	2.78255
172	67	2.70805
173	67	2.64515
174	67	2.5967
175	67	2.57291
176	67	2.54465
177	67	2.52443
178	67	2.49012
179	67	2.50854
180	67	2.59251
-180	68	2.39871
-179	68	2.43867
-178	68	2.40687
-177	68	2.36385
-176	68	2.35509
-175	68	2.40682
-174	68	2.41018
-173	68	2.41645
-172	68	2.46438
-171	68	2.49791
-170	68	2.54214
-169	68	2.64247
-168	68	2.72569
-167	68	2.79973
-166	68	2.87287
-165	68	3.02051
-164	68	3.13646
-163	68	3.20175
-162	68	3.30272
-161	68	3.35036
-160	68	3.43452
-159	68	3.47929
-158	68	3.65529
-157	68	3.79103
-156	68	3.92018
-155	68	4.02297
-154	68	4.04985
-153	68	4.11857
-152	68	4.1583
-151	68	4.2132
-150	68	4.2024
-149	68	4.19075
-148	68	4.1511
-147	68	4.0806
-146	68	3.97461
-145	68	3.79922
-144	68	3.57401
-143	68	3.30824
-142	68	2.95438
-141	68	2.53359
-140	68	2.09819
-139	68	1.69004
-138	68	1.20934
-137	68	0.765881
-136	68	0.461789
-135	68	0.252171
-134	68	0.174124
-133	68	0.397416
-132	68	0.633741
-131	68	1.05804
-130	68	1.46667
-129	68	1.84546
-128	68	2.15785
-127	68	2.35809
-126	68	2.43204
-125	68	2.35627

-124	68	2.09442
-123	68	1.66263
-122	68	1.0382
-121	68	0.180513
-120	68	-0.944784
-119	68	-2.27147
-118	68	-3.93731
-117	68	-5.32139
-116	68	-5.83101
-115	68	-5.02272
-114	68	-3.57884
-113	68	-2.16913
-112	68	-0.91121
-111	68	0.0304445
-110	68	0.641271
-109	68	0.954968
-108	68	0.947314
-107	68	0.699044
-106	68	0.178584
-105	68	-1.09582
-104	68	-2.86902
-103	68	-5.40308
-102	68	-9.33983
-101	68	-15.0418
-100	68	-13.2579
-99	68	-7.89323
-98	68	-4.70253
-97	68	-2.39975
-96	68	-0.934986
-95	68	0.00740953
-94	68	0.387847
-93	68	0.371315
-92	68	0.0603939
-91	68	-0.887313
-90	68	-2.34585
-89	68	-4.55659
-88	68	-8.10669
-87	68	-13.4087
-86	68	-14.6588
-85	68	-9.29988
-84	68	-5.54356
-83	68	-3.0113
-82	68	-1.42247
-81	68	-0.297386
-80	68	0.316949
-79	68	0.58031
-78	68	0.49204
-77	68	0.074544
-76	68	-0.791883
-75	68	-2.0435
-74	68	-3.53886
-73	68	-4.93954
-72	68	-5.72553
-71	68	-5.34198
-70	68	-4.02996
-69	68	-2.55483
-68	68	-1.14332
-67	68	-0.0639917
-66	68	0.659415
-65	68	1.12932
-64	68	1.33582
-63	68	1.28951
-62	68	1.05206
-61	68	0.647174
-60	68	0.119637
-59	68	-0.261641
-58	68	-0.579673
-57	68	-0.903214
-56	68	-0.645923
-55	68	-0.091539
-54	68	0.563227
-53	68	1.33519
-52	68	1.99489
-51	68	2.5329
-50	68	2.93987
-49	68	3.18882
-48	68	3.30568
-47	68	3.32352
-46	68	3.22934
-45	68	3.0244
-44	68	2.74124
-43	68	2.40396
-42	68	2.07183
-41	68	1.7933
-40	68	1.56722
-39	68	1.48984
-38	68	1.56979
-37	68	1.78273
-36	68	2.11566
-35	68	2.50737
-34	68	2.89702
-33	68	3.30199
-32	68	3.66744
-31	68	3.9953
-30	68	4.27844

-29	68	4.47282
-28	68	4.58072
-27	68	4.68403
-26	68	4.74048
-25	68	4.77838
-24	68	4.72605
-23	68	4.64
-22	68	4.48823
-21	68	4.40452
-20	68	4.25335
-19	68	4.18424
-18	68	3.85852
-17	68	3.67473
-16	68	3.46377
-15	68	3.27456
-14	68	3.12744
-13	68	2.95898
-12	68	2.84749
-11	68	2.69053
-10	68	2.56094
-9	68	2.41912
-8	68	2.37703
-7	68	2.32802
-6	68	2.35445
-5	68	2.26474
-4	68	2.31964
-3	68	2.3316
-2	68	2.34994
-1	68	2.37918
0	68	2.4219
1	68	2.44464
2	68	2.45235
3	68	2.39417
4	68	2.40516
5	68	2.42826
6	68	2.437
7	68	2.41323
8	68	2.48619
9	68	2.51086
10	68	2.54931
11	68	2.63494
12	68	2.72411
13	68	2.7651
14	68	2.85567
15	68	2.95748
16	68	3.07873
17	68	3.14903
18	68	3.2522
19	68	3.31801
20	68	3.4144
21	68	3.4613
22	68	3.64248
23	68	3.78695
24	68	3.93118
25	68	4.04736
26	68	4.09104
27	68	4.1538
28	68	4.15929
29	68	4.25841
30	68	4.26171
31	68	4.25025
32	68	4.20493
33	68	4.12174
34	68	3.99641
35	68	3.80622
36	68	3.5668
37	68	3.28696
38	68	2.91383
39	68	2.4946
40	68	2.04106
41	68	1.61718
42	68	1.14513
43	68	0.720231
44	68	0.397364
45	68	0.200327
46	68	0.193448
47	68	0.378455
48	68	0.694776
49	68	1.0638
50	68	1.53919
51	68	1.9349
52	68	2.25572
53	68	2.47173
54	68	2.55076
55	68	2.49274
56	68	2.24934
57	68	1.83449
58	68	1.22273
59	68	0.387104
60	68	-0.723091
61	68	-2.12499
62	68	-3.74987
63	68	-5.27943
64	68	-5.97132
65	68	-5.26611

66	68	-3.82275
67	68	-2.23178
68	68	-0.932426
69	68	0.0920558
70	68	0.758342
71	68	1.10029
72	68	1.13274
73	68	0.937934
74	68	0.448159
75	68	-0.757785
76	68	-2.4565
77	68	-4.88598
78	68	-8.59218
79	68	-14.3877
80	68	-14.5445
81	68	-8.82144
82	68	-5.21617
83	68	-2.76486
84	68	-1.16486
85	68	-0.130579
86	68	0.343164
87	68	0.408173
88	68	0.16751
89	68	-0.689383
90	68	-2.04124
91	68	-4.15412
92	68	-7.57565
93	68	-12.7179
94	68	-15.4286
95	68	-9.86743
96	68	-5.85269
97	68	-3.23358
98	68	-1.52504
99	68	-0.370126
100	68	0.307536
101	68	0.618034
102	68	0.571303
103	68	0.169862
104	68	-0.683941
105	68	-1.87541
106	68	-3.35658
107	68	-4.77741
108	68	-5.74017
109	68	-5.53256
110	68	-4.28273
111	68	-2.75243
112	68	-1.31923
113	68	-0.210834
114	68	0.578861
115	68	1.10064
116	68	1.36058
117	68	1.35852
118	68	1.17612
119	68	0.826796
120	68	0.301211
121	68	-0.0251642
122	68	-0.298982
123	68	-0.607538
124	68	-0.416447
125	68	0.0464198
126	68	0.646164
127	68	1.3149
128	68	1.96676
129	68	2.47438
130	68	2.85241
131	68	3.1175
132	68	3.21672
133	68	3.22666
134	68	3.11578
135	68	2.92104
136	68	2.64165
137	68	2.31289
138	68	2.00866
139	68	1.75455
140	68	1.58538
141	68	1.54949
142	68	1.63659
143	68	1.88952
144	68	2.22267
145	68	2.57616
146	68	2.96476
147	68	3.36804
148	68	3.71271
149	68	4.02261
150	68	4.2843
151	68	4.45774
152	68	4.57109
153	68	4.65655
154	68	4.7049
155	68	4.71993
156	68	4.6763
157	68	4.58909
158	68	4.46709
159	68	4.34873
160	68	4.20374

161	68	4.13421
162	68	3.80514
163	68	3.62779
164	68	3.42173
165	68	3.2212
166	68	3.08802
167	68	2.9189
168	68	2.80756
169	68	2.67113
170	68	2.526
171	68	2.42985
172	68	2.39198
173	68	2.34832
174	68	2.342
175	68	2.3372
176	68	2.33587
177	68	2.30212
178	68	2.27334
179	68	2.31457
180	68	2.39871
-180	69	2.3692
-179	69	2.37112
-178	69	2.36155
-177	69	2.34235
-176	69	2.35298
-175	69	2.3415
-174	69	2.33023
-173	69	2.33978
-172	69	2.38054
-171	69	2.39267
-170	69	2.40112
-169	69	2.45618
-168	69	2.50642
-167	69	2.56418
-166	69	2.61516
-165	69	2.71751
-164	69	2.82037
-163	69	2.88547
-162	69	2.99619
-161	69	3.06163
-160	69	3.17593
-159	69	3.21322
-158	69	3.34091
-157	69	3.426
-156	69	3.52613
-155	69	3.63219
-154	69	3.79423
-153	69	3.8902
-152	69	3.96657
-151	69	4.04961
-150	69	4.08566
-149	69	4.102
-148	69	4.1013
-147	69	4.07691
-146	69	4.01683
-145	69	3.8796
-144	69	3.70257
-143	69	3.40673
-142	69	3.08735
-141	69	2.87616
-140	69	2.43865
-139	69	2.03287
-138	69	1.46948
-137	69	1.01963
-136	69	0.609724
-135	69	0.287758
-134	69	0.12701
-133	69	0.170706
-132	69	0.361529
-131	69	0.732591
-130	69	1.16807
-129	69	1.59956
-128	69	1.96775
-127	69	2.24552
-126	69	2.40445
-125	69	2.42644
-124	69	2.2804
-123	69	1.94818
-122	69	1.41033
-121	69	0.631332
-120	69	-0.425994
-119	69	-1.73748
-118	69	-3.33441
-117	69	-4.94374
-116	69	-5.9417
-115	69	-5.62807
-114	69	-4.30115
-113	69	-2.76027
-112	69	-1.40416
-111	69	-0.403026
-110	69	0.392838
-109	69	0.866986
-108	69	0.917232
-107	69	0.593784
-106	69	0.00507895

-105	69	-1.14932
-104	69	-2.73284
-103	69	-5.16236
-102	69	-8.81991
-101	69	-14.2571
-100	69	-14.1435
-99	69	-8.59979
-98	69	-5.18921
-97	69	-2.78476
-96	69	-1.17144
-95	69	-0.208833
-94	69	0.205093
-93	69	0.0696388
-92	69	-0.0492701
-91	69	-1.03237
-90	69	-2.49045
-89	69	-4.70635
-88	69	-8.26655
-87	69	-13.5446
-86	69	-14.7364
-85	69	-9.31303
-84	69	-5.51269
-83	69	-3.06862
-82	69	-1.45965
-81	69	-0.38353
-80	69	0.228852
-79	69	0.370135
-78	69	0.220706
-77	69	-0.217044
-76	69	-1.03815
-75	69	-2.19937
-74	69	-3.68825
-73	69	-5.17818
-72	69	-5.927
-71	69	-5.36988
-70	69	-3.97289
-69	69	-2.42975
-68	69	-0.987392
-67	69	0.0789558
-66	69	0.799444
-65	69	1.23387
-64	69	1.39031
-63	69	1.32971
-62	69	1.07228
-61	69	0.666967
-60	69	0.208506
-59	69	-0.245024
-58	69	-0.556665
-57	69	-0.563956
-56	69	-0.239723
-55	69	0.250524
-54	69	0.726061
-53	69	1.39254
-52	69	1.95012
-51	69	2.44646
-50	69	2.82431
-49	69	3.03811
-48	69	3.15856
-47	69	3.15131
-46	69	3.03292
-45	69	2.78841
-44	69	2.48348
-43	69	2.14605
-42	69	1.83585
-41	69	1.57984
-40	69	1.42846
-39	69	1.41875
-38	69	1.56427
-37	69	1.84327
-36	69	2.2163
-35	69	2.63318
-34	69	3.02883
-33	69	3.42306
-32	69	3.7613
-31	69	4.06365
-30	69	4.30001
-29	69	4.44692
-28	69	4.52697
-27	69	4.59942
-26	69	4.60399
-25	69	4.58257
-24	69	4.51187
-23	69	4.38663
-22	69	4.19792
-21	69	4.04509
-20	69	3.81874
-19	69	3.82
-18	69	3.51812
-17	69	3.33423
-16	69	3.12607
-15	69	2.89231
-14	69	2.78267
-13	69	2.60644
-12	69	2.51153
-11	69	2.41375

-10	69	2.29414
-9	69	2.23373
-8	69	2.23928
-7	69	2.25794
-6	69	2.27135
-5	69	2.24948
-4	69	2.27317
-3	69	2.30108
-2	69	2.35797
-1	69	2.38857
0	69	2.42864
1	69	2.44144
2	69	2.44231
3	69	2.43363
4	69	2.45914
5	69	2.4112
6	69	2.38595
7	69	2.37788
8	69	2.40076
9	69	2.39725
10	69	2.37706
11	69	2.43782
12	69	2.50445
13	69	2.5796
14	69	2.59585
15	69	2.76588
16	69	2.77498
17	69	2.83315
18	69	2.95554
19	69	3.00685
20	69	3.13879
21	69	3.18749
22	69	3.32173
23	69	3.42812
24	69	3.52687
25	69	3.65104
26	69	3.8163
27	69	3.92277
28	69	4.00526
29	69	4.08156
30	69	4.13144
31	69	4.15464
32	69	4.14908
33	69	4.11455
34	69	4.03943
35	69	3.88002
36	69	3.68404
37	69	3.37565
38	69	3.02513
39	69	2.78289
40	69	2.33975
41	69	1.85997
42	69	1.37881
43	69	0.908356
44	69	0.497854
45	69	0.186853
46	69	0.0431618
47	69	0.112221
48	69	0.374181
49	69	0.75745
50	69	1.20766
51	69	1.64677
52	69	2.02447
53	69	2.3183
54	69	2.51281
55	69	2.54705
56	69	2.41303
57	69	2.09027
58	69	1.57049
59	69	0.81772
60	69	-0.232484
61	69	-1.49917
62	69	-3.09337
63	69	-4.82137
64	69	-6.05155
65	69	-5.9188
66	69	-4.5536
67	69	-2.94677
68	69	-1.48976
69	69	-0.340713
70	69	0.518674
71	69	1.03654
72	69	1.12595
73	69	0.871646
74	69	0.325522
75	69	-0.711428
76	69	-2.23143
77	69	-4.47541
78	69	-7.81806
79	69	-12.9993
80	69	-14.8058
81	69	-9.5183
82	69	-5.79123
83	69	-3.21342
84	69	-1.46695

85	69	-0.409239
86	69	0.10463
87	69	0.0235844
88	69	-0.0145292
89	69	-0.920458
90	69	-2.28732
91	69	-4.40224
92	69	-7.87218
93	69	-13.0402
94	69	-15.1559
95	69	-9.64748
96	69	-5.70103
97	69	-3.21447
98	69	-1.52467
99	69	-0.414186
100	69	0.250557
101	69	0.430588
102	69	0.279829
103	69	-0.123337
104	69	-0.886635
105	69	-2.03056
106	69	-3.52389
107	69	-5.05686
108	69	-5.9951
109	69	-5.60187
110	69	-4.11181
111	69	-2.55864
112	69	-1.10516
113	69	-0.00617654
114	69	0.751998
115	69	1.2478
116	69	1.45831
117	69	1.4379
118	69	1.17395
119	69	0.829474
120	69	0.420754
121	69	0.0125019
122	69	-0.292549
123	69	-0.309779
124	69	-0.0805744
125	69	0.323585
126	69	0.800523
127	69	1.37943
128	69	1.92381
129	69	2.37832
130	69	2.72759
131	69	2.94028
132	69	3.05942
133	69	3.02812
134	69	2.88249
135	69	2.66715
136	69	2.3778
137	69	2.05948
138	69	1.76099
139	69	1.55762
140	69	1.44862
141	69	1.4676
142	69	1.61169
143	69	1.89492
144	69	2.29045
145	69	2.6862
146	69	3.09115
147	69	3.45326
148	69	3.77572
149	69	4.05356
150	69	4.26547
151	69	4.398
152	69	4.48092
153	69	4.52752
154	69	4.5434
155	69	4.51506
156	69	4.44855
157	69	4.33087
158	69	4.16671
159	69	3.98043
160	69	3.78178
161	69	3.75949
162	69	3.48367
163	69	3.30595
164	69	3.08855
165	69	2.86501
166	69	2.7695
167	69	2.59558
168	69	2.50938
169	69	2.4012
170	69	2.30471
171	69	2.2335
172	69	2.2378
173	69	2.25555
174	69	2.27953
175	69	2.29592
176	69	2.31213
177	69	2.30103
178	69	2.28769
179	69	2.321

180	69	2.3692
-180	70	2.47346
-179	70	2.46501
-178	70	2.52053
-177	70	2.53399
-176	70	2.53837
-175	70	2.50648
-174	70	2.47872
-173	70	2.46371
-172	70	2.45629
-171	70	2.44478
-170	70	2.42597
-169	70	2.45677
-168	70	2.47214
-167	70	2.49617
-166	70	2.52358
-165	70	2.5564
-164	70	2.61517
-163	70	2.66686
-162	70	2.75032
-161	70	2.8251
-160	70	2.89691
-159	70	2.95247
-158	70	3.08317
-157	70	3.17069
-156	70	3.25391
-155	70	3.37856
-154	70	3.44684
-153	70	3.52797
-152	70	3.62943
-151	70	3.7761
-150	70	3.88447
-149	70	3.93557
-148	70	3.96173
-147	70	3.97404
-146	70	3.92821
-145	70	3.76678
-144	70	3.67496
-143	70	3.61596
-142	70	3.36159
-141	70	3.06367
-140	70	2.70035
-139	70	2.28246
-138	70	1.81493
-137	70	1.33045
-136	70	0.83273
-135	70	0.444898
-134	70	0.157071
-133	70	0.050645
-132	70	0.145513
-131	70	0.421725
-130	70	0.838967
-129	70	1.28331
-128	70	1.70144
-127	70	2.04002
-126	70	2.28651
-125	70	2.40082
-124	70	2.34952
-123	70	2.10533
-122	70	1.66606
-121	70	0.996814
-120	70	0.0528286
-119	70	-1.14089
-118	70	-2.64551
-117	70	-4.25126
-116	70	-5.59331
-115	70	-5.7978
-114	70	-4.77864
-113	70	-3.2909
-112	70	-1.97337
-111	70	-0.766403
-110	70	0.0605432
-109	70	0.508314
-108	70	0.66495
-107	70	0.499771
-106	70	-0.0335694
-105	70	-1.03342
-104	70	-2.52338
-103	70	-4.77333
-102	70	-8.16766
-101	70	-13.6485
-100	70	-15.1847
-99	70	-9.07462
-98	70	-5.54246
-97	70	-3.03777
-96	70	-1.4288
-95	70	-0.405347
-94	70	0.0387135
-93	70	0.0312215
-92	70	-0.129369
-91	70	-1.27355
-90	70	-2.72681
-89	70	-4.83684
-88	70	-8.33472
-87	70	-13.7401

-86	70	-14.6546
-85	70	-9.24418
-84	70	-5.53714
-83	70	-3.14447
-82	70	-1.55192
-81	70	-0.498476
-80	70	0.115345
-79	70	0.34557
-78	70	0.221941
-77	70	-0.287699
-76	70	-1.19321
-75	70	-2.44103
-74	70	-3.97375
-73	70	-5.49317
-72	70	-6.07321
-71	70	-5.26746
-70	70	-3.64667
-69	70	-2.11235
-68	70	-0.681355
-67	70	0.365143
-66	70	1.0411
-65	70	1.45403
-64	70	1.63774
-63	70	1.55729
-62	70	1.2592
-61	70	0.829473
-60	70	0.298329
-59	70	-0.21561
-58	70	-0.573228
-57	70	-0.633134
-56	70	-0.373348
-55	70	0.153764
-54	70	0.703477
-53	70	1.23945
-52	70	1.87173
-51	70	2.35317
-50	70	2.67876
-49	70	2.88878
-48	70	2.97283
-47	70	2.92437
-46	70	2.79181
-45	70	2.51708
-44	70	2.19558
-43	70	1.87707
-42	70	1.57521
-41	70	1.37627
-40	70	1.29243
-39	70	1.34991
-38	70	1.54956
-37	70	1.89313
-36	70	2.31242
-35	70	2.73484
-34	70	3.1232
-33	70	3.50608
-32	70	3.81815
-31	70	4.07576
-30	70	4.26097
-29	70	4.39374
-28	70	4.4725
-27	70	4.50323
-26	70	4.47718
-25	70	4.41557
-24	70	4.31047
-23	70	4.15632
-22	70	3.96267
-21	70	3.78207
-20	70	3.52775
-19	70	3.5005
-18	70	3.28208
-17	70	3.0602
-16	70	2.91586
-15	70	2.65316
-14	70	2.61874
-13	70	2.48289
-12	70	2.39759
-11	70	2.32642
-10	70	2.28667
-9	70	2.2714
-8	70	2.31461
-7	70	2.36311
-6	70	2.38838
-5	70	2.42286
-4	70	2.47382
-3	70	2.49437
-2	70	2.52279
-1	70	2.54726
0	70	2.54336
1	70	2.54464
2	70	2.60759
3	70	2.6299
4	70	2.64507
5	70	2.58466
6	70	2.54858
7	70	2.52443
8	70	2.50151

9	70	2.48279
10	70	2.43949
11	70	2.45118
12	70	2.44898
13	70	2.46394
14	70	2.47306
15	70	2.50874
16	70	2.52596
17	70	2.57876
18	70	2.65597
19	70	2.7275
20	70	2.80401
21	70	2.87139
22	70	3.02055
23	70	3.11725
24	70	3.21698
25	70	3.34362
26	70	3.43495
27	70	3.54031
28	70	3.64173
29	70	3.79301
30	70	3.90244
31	70	3.95939
32	70	3.99145
33	70	3.99392
34	70	3.93221
35	70	3.78135
36	70	3.669
37	70	3.61033
38	70	3.33142
39	70	3.01332
40	70	2.62403
41	70	2.17489
42	70	1.70005
43	70	1.1801
44	70	0.700631
45	70	0.280149
46	70	0.0099118
47	70	-0.0866449
48	70	0.015429
49	70	0.379391
50	70	0.809923
51	70	1.28647
52	70	1.72238
53	70	2.08773
54	70	2.35243
55	70	2.47602
56	70	2.44762
57	70	2.23797
58	70	1.82482
59	70	1.17195
60	70	0.275453
61	70	-0.907446
62	70	-2.40007
63	70	-4.05411
64	70	-5.53196
65	70	-5.99878
66	70	-5.14325
67	70	-3.53252
68	70	-2.10915
69	70	-0.797394
70	70	0.131698
71	70	0.630598
72	70	0.839623
73	70	0.740108
74	70	0.252427
75	70	-0.672732
76	70	-2.06959
77	70	-4.17152
78	70	-7.34673
79	70	-12.2271
80	70	-15.1043
81	70	-9.81406
82	70	-6.01021
83	70	-3.3613
84	70	-1.67511
85	70	-0.563935
86	70	-0.0540317
87	70	0.0178074
88	70	-0.0920771
89	70	-1.15837
90	70	-2.50477
91	70	-4.52096
92	70	-7.87387
93	70	-12.9349
94	70	-14.7006
95	70	-9.43593
96	70	-5.68297
97	70	-3.24501
98	70	-1.64025
99	70	-0.539761
100	70	0.125882
101	70	0.399089
102	70	0.31044
103	70	-0.16155

104	70	-1.04045
105	70	-2.29497
106	70	-3.8506
107	70	-5.40739
108	70	-6.06473
109	70	-5.38975
110	70	-3.72996
111	70	-2.18756
112	70	-0.755857
113	70	0.3089
114	70	1.02608
115	70	1.49383
116	70	1.68576
117	70	1.59644
118	70	1.37547
119	70	0.978812
120	70	0.499393
121	70	-0.0428852
122	70	-0.415775
123	70	-0.520843
124	70	-0.306407
125	70	0.140105
126	70	0.71934
127	70	1.17492
128	70	1.78729
129	70	2.24212
130	70	2.56927
131	70	2.78347
132	70	2.85822
133	70	2.79524
134	70	2.6341
135	70	2.391
136	70	2.09539
137	70	1.78599
138	70	1.5202
139	70	1.38053
140	70	1.33898
141	70	1.40474
142	70	1.62914
143	70	1.94786
144	70	2.36618
145	70	2.78518
146	70	3.16808
147	70	3.51463
148	70	3.80802
149	70	4.05391
150	70	4.21983
151	70	4.32846
152	70	4.39178
153	70	4.39972
154	70	4.37285
155	70	4.31887
156	70	4.23035
157	70	4.0937
158	70	3.92482
159	70	3.72183
160	70	3.50993
161	70	3.43961
162	70	3.18992
163	70	3.01254
164	70	2.8633
165	70	2.60305
166	70	2.57723
167	70	2.42781
168	70	2.36735
169	70	2.31045
170	70	2.25597
171	70	2.24638
172	70	2.28935
173	70	2.337
174	70	2.37086
175	70	2.41904
176	70	2.44773
177	70	2.4721
178	70	2.47826
179	70	2.4923
180	70	2.47346
-180	71	2.68913
-179	71	2.68731
-178	71	2.74846
-177	71	2.79578
-176	71	2.78174
-175	71	2.73575
-174	71	2.70771
-173	71	2.66715
-172	71	2.63454
-171	71	2.60374
-170	71	2.56859
-169	71	2.53985
-168	71	2.51183
-167	71	2.51917
-166	71	2.50365
-165	71	2.51798
-164	71	2.53527
-163	71	2.55555

-162	71	2.57283
-161	71	2.62547
-160	71	2.67245
-159	71	2.70767
-158	71	2.79407
-157	71	2.82643
-156	71	2.96615
-155	71	3.08663
-154	71	3.20348
-153	71	3.30292
-152	71	3.37902
-151	71	3.46391
-150	71	3.5501
-149	71	3.61384
-148	71	3.79319
-147	71	3.81863
-146	71	3.75305
-145	71	3.75256
-144	71	3.64437
-143	71	3.58989
-142	71	3.42476
-141	71	3.15918
-140	71	2.87173
-139	71	2.50497
-138	71	2.08226
-137	71	1.62928
-136	71	1.15481
-135	71	0.679018
-134	71	0.281986
-133	71	0.0276387
-132	71	-0.0226501
-131	71	0.13249
-130	71	0.467418
-129	71	0.886635
-128	71	1.3345
-127	71	1.78491
-126	71	2.09808
-125	71	2.27951
-124	71	2.30641
-123	71	2.15648
-122	71	1.80469
-121	71	1.23753
-120	71	0.418963
-119	71	-0.639015
-118	71	-2.01984
-117	71	-3.51259
-116	71	-4.92986
-115	71	-5.73942
-114	71	-5.2359
-113	71	-3.65196
-112	71	-2.25916
-111	71	-1.12279
-110	71	-0.255252
-109	71	0.274253
-108	71	0.506848
-107	71	0.4089
-106	71	-0.10118
-105	71	-1.00292
-104	71	-2.40167
-103	71	-4.54896
-102	71	-7.7802
-101	71	-12.5758
-100	71	-14.3577
-99	71	-9.19068
-98	71	-5.76015
-97	71	-3.34057
-96	71	-1.74807
-95	71	-0.631431
-94	71	-0.111007
-93	71	-0.0665116
-92	71	-0.279957
-91	71	-1.21282
-90	71	-2.61277
-89	71	-4.89314
-88	71	-8.68264
-87	71	-13.3621
-86	71	-14.033
-85	71	-9.06636
-84	71	-5.47707
-83	71	-3.16817
-82	71	-1.55696
-81	71	-0.484763
-80	71	0.13488
-79	71	0.324294
-78	71	0.142708
-77	71	-0.401076
-76	71	-1.35179
-75	71	-2.67709
-74	71	-4.18037
-73	71	-5.54803
-72	71	-5.86164
-71	71	-4.88167
-70	71	-3.22044
-69	71	-1.65182
-68	71	-0.25481

-67	71	0.749731
-66	71	1.35689
-65	71	1.67225
-64	71	1.7257
-63	71	1.54762
-62	71	1.17741
-61	71	0.661335
-60	71	0.0711367
-59	71	-0.465792
-58	71	-0.83497
-57	71	-0.891431
-56	71	-0.668802
-55	71	-0.160484
-54	71	0.518034
-53	71	1.19006
-52	71	1.77783
-51	71	2.12246
-50	71	2.4294
-49	71	2.73176
-48	71	2.76299
-47	71	2.68037
-46	71	2.5069
-45	71	2.22624
-44	71	1.91432
-43	71	1.58764
-42	71	1.33283
-41	71	1.1829
-40	71	1.1811
-39	71	1.28927
-38	71	1.54979
-37	71	1.93497
-36	71	2.38254
-35	71	2.81369
-34	71	3.20676
-33	71	3.56917
-32	71	3.86828
-31	71	4.09424
-30	71	4.25333
-29	71	4.35689
-28	71	4.42658
-27	71	4.42013
-26	71	4.35877
-25	71	4.25347
-24	71	4.15132
-23	71	4.00716
-22	71	3.79793
-21	71	3.6117
-20	71	3.41136
-19	71	3.27205
-18	71	3.05325
-17	71	2.91243
-16	71	2.77354
-15	71	2.55181
-14	71	2.64976
-13	71	2.45018
-12	71	2.28963
-11	71	2.27799
-10	71	2.36
-9	71	2.39259
-8	71	2.4555
-7	71	2.52092
-6	71	2.56567
-5	71	2.61302
-4	71	2.65887
-3	71	2.68463
-2	71	2.66887
-1	71	2.7526
0	71	2.78068
1	71	2.80206
2	71	2.85402
3	71	2.9116
4	71	2.9083
5	71	2.85033
6	71	2.81416
7	71	2.77755
8	71	2.7338
9	71	2.6921
10	71	2.64993
11	71	2.61894
12	71	2.58357
13	71	2.53852
14	71	2.52376
15	71	2.53886
16	71	2.51213
17	71	2.52148
18	71	2.51313
19	71	2.54106
20	71	2.58898
21	71	2.66135
22	71	2.77046
23	71	2.78386
24	71	2.93509
25	71	3.03864
26	71	3.16798
27	71	3.26776

28	71	3.37761
29	71	3.47067
30	71	3.55764
31	71	3.63651
32	71	3.79625
33	71	3.84323
34	71	3.77455
35	71	3.75828
36	71	3.6509
37	71	3.58493
38	71	3.4106
39	71	3.1359
40	71	2.81495
41	71	2.43665
42	71	2.01051
43	71	1.51356
44	71	1.00923
45	71	0.540211
46	71	0.131208
47	71	-0.113864
48	71	-0.139566
49	71	0.0448069
50	71	0.414958
51	71	0.876557
52	71	1.35671
53	71	1.79202
54	71	2.12393
55	71	2.31389
56	71	2.35579
57	71	2.25038
58	71	1.93216
59	71	1.37597
60	71	0.591023
61	71	-0.481501
62	71	-1.7944
63	71	-3.34318
64	71	-4.85809
65	71	-5.90343
66	71	-5.54433
67	71	-3.95639
68	71	-2.46744
69	71	-1.23147
70	71	-0.291206
71	71	0.32042
72	71	0.604933
73	71	0.543885
74	71	0.0979473
75	71	-0.739373
76	71	-2.06199
77	71	-4.10193
78	71	-7.12892
79	71	-11.591
80	71	-14.2201
81	71	-9.56891
82	71	-6.10389
83	71	-3.59658
84	71	-1.90102
85	71	-0.731044
86	71	-0.125098
87	71	-0.00720687
88	71	-0.151846
89	71	-1.01059
90	71	-2.31044
91	71	-4.48416
92	71	-8.03173
93	71	-12.3573
94	71	-14.0682
95	71	-9.40816
96	71	-5.69593
97	71	-3.31357
98	71	-1.6487
99	71	-0.541513
100	71	0.133056
101	71	0.373442
102	71	0.213041
103	71	-0.295314
104	71	-1.20119
105	71	-2.4661
106	71	-4.01155
107	71	-5.40959
108	71	-5.88641
109	71	-4.93759
110	71	-3.29191
111	71	-1.7562
112	71	-0.349147
113	71	0.703837
114	71	1.34335
115	71	1.6746
116	71	1.70775
117	71	1.57162
118	71	1.24478
119	71	0.768734
120	71	0.226782
121	71	-0.316688
122	71	-0.68111

123	71	-0.771179
124	71	-0.501527
125	71	-0.0166924
126	71	0.571496
127	71	1.16785
128	71	1.7413
129	71	2.03805
130	71	2.32626
131	71	2.61924
132	71	2.66329
133	71	2.58034
134	71	2.38003
135	71	2.11401
136	71	1.82112
137	71	1.53043
138	71	1.31012
139	71	1.19422
140	71	1.21706
141	71	1.36115
142	71	1.63653
143	71	2.03789
144	71	2.44969
145	71	2.88092
146	71	3.25491
147	71	3.58882
148	71	3.87347
149	71	4.08505
150	71	4.22587
151	71	4.33183
152	71	4.37098
153	71	4.34598
154	71	4.29278
155	71	4.21501
156	71	4.08917
157	71	3.93936
158	71	3.76779
159	71	3.58171
160	71	3.37763
161	71	3.24437
162	71	3.05054
163	71	2.86008
164	71	2.72318
165	71	2.50434
166	71	2.60173
167	71	2.40851
168	71	2.2706
169	71	2.26477
170	71	2.35298
171	71	2.38175
172	71	2.44309
173	71	2.51897
174	71	2.55456
175	71	2.59629
176	71	2.65401
177	71	2.67502
178	71	2.63295
179	71	2.68055
180	71	2.68913
-180	72	2.86241
-179	72	2.91162
-178	72	3.00775
-177	72	3.05055
-176	72	3.04574
-175	72	3.00327
-174	72	2.98121
-173	72	2.94628
-172	72	2.89688
-171	72	2.8533
-170	72	2.7977
-169	72	2.73027
-168	72	2.69434
-167	72	2.68461
-166	72	2.64703
-165	72	2.60507
-164	72	2.59481
-163	72	2.59684
-162	72	2.56614
-161	72	2.58549
-160	72	2.61836
-159	72	2.67615
-158	72	2.63651
-157	72	2.72461
-156	72	2.76914
-155	72	2.85074
-154	72	2.96757
-153	72	3.02207
-152	72	3.12512
-151	72	3.19812
-150	72	3.46361
-149	72	3.40063
-148	72	3.40646
-147	72	3.45744
-146	72	3.47857
-145	72	3.53665
-144	72	3.50192

-143	72	3.46694
-142	72	3.39661
-141	72	3.17291
-140	72	2.94036
-139	72	2.62881
-138	72	2.27566
-137	72	1.86609
-136	72	1.3984
-135	72	0.911981
-134	72	0.454287
-133	72	0.105832
-132	72	-0.0707688
-131	72	-0.0322043
-130	72	0.212348
-129	72	0.587168
-128	72	1.0269
-127	72	1.46975
-126	72	1.82748
-125	72	2.11497
-124	72	2.20527
-123	72	2.12492
-122	72	1.85558
-121	72	1.36725
-120	72	0.678316
-119	72	-0.289275
-118	72	-1.48265
-117	72	-2.73512
-116	72	-4.3028
-115	72	-5.1472
-114	72	-4.81921
-113	72	-3.76405
-112	72	-2.46449
-111	72	-1.343
-110	72	-0.472254
-109	72	0.102623
-108	72	0.343956
-107	72	0.29407
-106	72	-0.205254
-105	72	-1.03428
-104	72	-2.38921
-103	72	-4.459
-102	72	-7.53541
-101	72	-12.2009
-100	72	-14.5095
-99	72	-9.4146
-98	72	-5.78224
-97	72	-3.31009
-96	72	-1.72274
-95	72	-0.615086
-94	72	-0.0840635
-93	72	-0.0608256
-92	72	-0.338329
-91	72	-1.2402
-90	72	-2.60027
-89	72	-4.74262
-88	72	-8.1538
-87	72	-13.1069
-86	72	-12.6865
-85	72	-9.11075
-84	72	-5.57971
-83	72	-3.16419
-82	72	-1.54264
-81	72	-0.508936
-80	72	0.0832502
-79	72	0.236735
-78	72	0.024543
-77	72	-0.559839
-76	72	-1.52148
-75	72	-2.7963
-74	72	-4.27137
-73	72	-5.37385
-72	72	-5.3748
-71	72	-4.23379
-70	72	-2.68317
-69	72	-1.32319
-68	72	-0.173102
-67	72	0.714148
-66	72	1.29946
-65	72	1.58859
-64	72	1.60757
-63	72	1.38231
-62	72	0.971984
-61	72	0.384048
-60	72	-0.279174
-59	72	-0.891882
-58	72	-1.29594
-57	72	-1.39796
-56	72	-1.05042
-55	72	-0.422208
-54	72	0.348014
-53	72	1.05318
-52	72	1.67447
-51	72	2.1349
-50	72	2.45576
-49	72	2.5638

-48	72	2.46636
-47	72	2.51018
-46	72	2.29301
-45	72	2.01339
-44	72	1.69881
-43	72	1.39451
-42	72	1.15731
-41	72	1.05138
-40	72	1.09304
-39	72	1.28763
-38	72	1.61536
-37	72	2.03543
-36	72	2.48307
-35	72	2.90773
-34	72	3.2946
-33	72	3.65251
-32	72	3.935
-31	72	4.12967
-30	72	4.27365
-29	72	4.39247
-28	72	4.3996
-27	72	4.38952
-26	72	4.3016
-25	72	4.20405
-24	72	4.05001
-23	72	3.87517
-22	72	3.6852
-21	72	3.53754
-20	72	3.32128
-19	72	3.15146
-18	72	2.99139
-17	72	2.86214
-16	72	2.75534
-15	72	2.56171
-14	72	2.67409
-13	72	2.51544
-12	72	2.51823
-11	72	2.51316
-10	72	2.48738
-9	72	2.48443
-8	72	2.65034
-7	72	2.75858
-6	72	2.80453
-5	72	2.85676
-4	72	2.8981
-3	72	2.91039
-2	72	2.95289
-1	72	2.96701
0	72	2.98661
1	72	3.03796
2	72	3.11543
3	72	3.1751
4	72	3.1904
5	72	3.13045
6	72	3.11704
7	72	3.0889
8	72	3.03334
9	72	2.97693
10	72	2.93853
11	72	2.87184
12	72	2.82896
13	72	2.77962
14	72	2.75245
15	72	2.70275
16	72	2.68105
17	72	2.6648
18	72	2.63169
19	72	2.61281
20	72	2.63011
21	72	2.668
22	72	2.62382
23	72	2.72209
24	72	2.76857
25	72	2.84263
26	72	2.92694
27	72	3.00451
28	72	3.11803
29	72	3.20306
30	72	3.48158
31	72	3.43542
32	72	3.43879
33	72	3.49878
34	72	3.5231
35	72	3.55842
36	72	3.53495
37	72	3.49199
38	72	3.41077
39	72	3.17958
40	72	2.93274
41	72	2.61175
42	72	2.23012
43	72	1.79672
44	72	1.3225
45	72	0.813523
46	72	0.348151

47	72	-0.0429352
48	72	-0.180041
49	72	-0.130875
50	72	0.13341
51	72	0.533122
52	72	1.00047
53	72	1.44931
54	72	1.82332
55	72	2.07696
56	72	2.17584
57	72	2.1168
58	72	1.87621
59	72	1.4254
60	72	0.761722
61	72	-0.186572
62	72	-1.33193
63	72	-2.62366
64	72	-4.26441
65	72	-5.27122
66	72	-5.09342
67	72	-4.07777
68	72	-2.73035
69	72	-1.50153
70	72	-0.510536
71	72	0.117481
72	72	0.417341
73	72	0.409487
74	72	-0.0576407
75	72	-0.824998
76	72	-2.12903
77	72	-4.12506
78	72	-7.08494
79	72	-11.5048
80	72	-14.4156
81	72	-9.72574
82	72	-6.10751
83	72	-3.49043
84	72	-1.81301
85	72	-0.65109
86	72	-0.0582579
87	72	0.044015
88	72	-0.158906
89	72	-0.979571
90	72	-2.23385
91	72	-4.28431
92	72	-7.50219
93	72	-12.3817
94	72	-13.0604
95	72	-9.57594
96	72	-5.88266
97	72	-3.3863
98	72	-1.70351
99	72	-0.582627
100	72	0.0515198
101	72	0.27755
102	72	0.107806
103	72	-0.450712
104	72	-1.32498
105	72	-2.5738
106	72	-4.01646
107	72	-5.17205
108	72	-5.31343
109	72	-4.28929
110	72	-2.77086
111	72	-1.4148
112	72	-0.221618
113	72	0.683034
114	72	1.21551
115	72	1.50648
116	72	1.58002
117	72	1.45482
118	72	1.0668
119	72	0.511416
120	72	-0.106534
121	72	-0.691725
122	72	-1.07284
123	72	-1.13237
124	72	-0.79869
125	72	-0.222653
126	72	0.430768
127	72	1.07832
128	72	1.64769
129	72	2.0701
130	72	2.36265
131	72	2.43837
132	72	2.33729
133	72	2.38338
134	72	2.16097
135	72	1.8863
136	72	1.5803
137	72	1.28205
138	72	1.07938
139	72	1.01308
140	72	1.09903
141	72	1.31638

142	72	1.6739
143	72	2.11038
144	72	2.55292
145	72	2.98178
146	72	3.36435
147	72	3.68408
148	72	3.94935
149	72	4.12713
150	72	4.25789
151	72	4.35922
152	72	4.3678
153	72	4.32389
154	72	4.2447
155	72	4.12809
156	72	3.99214
157	72	3.8252
158	72	3.64884
159	72	3.48358
160	72	3.2348
161	72	3.06902
162	72	2.91203
163	72	2.77221
164	72	2.66381
165	72	2.46788
166	72	2.58257
167	72	2.44458
168	72	2.44967
169	72	2.45131
170	72	2.43419
171	72	2.43422
172	72	2.58653
173	72	2.69295
174	72	2.72563
175	72	2.77818
176	72	2.84281
177	72	2.87947
178	72	2.92323
179	72	2.89293
180	72	2.86241
-180	73	3.04531
-179	73	3.10906
-178	73	3.21389
-177	73	3.25132
-176	73	3.24029
-175	73	3.21307
-174	73	3.21076
-173	73	3.17963
-172	73	3.14878
-171	73	3.0985
-170	73	3.05164
-169	73	2.97958
-168	73	2.93358
-167	73	2.90213
-166	73	2.88124
-165	73	2.80524
-164	73	2.77401
-163	73	2.76705
-162	73	2.72503
-161	73	2.70886
-160	73	2.71234
-159	73	2.73313
-158	73	2.68905
-157	73	2.74579
-156	73	2.745
-155	73	2.78767
-154	73	2.88829
-153	73	2.90819
-152	73	2.97611
-151	73	2.99842
-150	73	3.06407
-149	73	3.15364
-148	73	3.22673
-147	73	3.27607
-146	73	3.30673
-145	73	3.3506
-144	73	3.31109
-143	73	3.27039
-142	73	3.30122
-141	73	3.13853
-140	73	2.9361
-139	73	2.67886
-138	73	2.3569
-137	73	1.96905
-136	73	1.53159
-135	73	1.05382
-134	73	0.592638
-133	73	0.186752
-132	73	-0.0776973
-131	73	-0.150115
-130	73	0.0373711
-129	73	0.332305
-128	73	0.752388
-127	73	1.1863
-126	73	1.57424
-125	73	1.86105

-124	73	2.00492
-123	73	1.9979
-122	73	1.78225
-121	73	1.38187
-120	73	0.852139
-119	73	0.0300103
-118	73	-1.23766
-117	73	-2.58656
-116	73	-3.90488
-115	73	-4.79747
-114	73	-4.70699
-113	73	-3.80682
-112	73	-2.57567
-111	73	-1.42296
-110	73	-0.523415
-109	73	0.0539979
-108	73	0.312914
-107	73	0.242099
-106	73	-0.233446
-105	73	-1.03131
-104	73	-2.3561
-103	73	-4.41531
-102	73	-7.54399
-101	73	-12.4138
-100	73	-15.3714
-99	73	-9.90525
-98	73	-6.00379
-97	73	-3.3846
-96	73	-1.72719
-95	73	-0.576885
-94	73	0.00210915
-93	73	0.158267
-92	73	-0.102509
-91	73	-0.996928
-90	73	-2.35483
-89	73	-4.37568
-88	73	-7.48127
-87	73	-11.5939
-86	73	-13.1347
-85	73	-9.27841
-84	73	-5.4413
-83	73	-3.35254
-82	73	-1.74561
-81	73	-0.692949
-80	73	-0.109513
-79	73	0.0704268
-78	73	-0.117672
-77	73	-0.648629
-76	73	-1.51281
-75	73	-2.74323
-74	73	-4.15762
-73	73	-5.25981
-72	73	-5.32424
-71	73	-4.27459
-70	73	-2.77017
-69	73	-1.39127
-68	73	-0.218298
-67	73	0.633011
-66	73	1.13379
-65	73	1.34951
-64	73	1.3006
-63	73	1.05454
-62	73	0.574834
-61	73	-0.0717046
-60	73	-0.785406
-59	73	-1.44386
-58	73	-1.84033
-57	73	-1.78031
-56	73	-1.27882
-55	73	-0.534204
-54	73	0.326233
-53	73	1.0176
-52	73	1.70089
-51	73	2.14317
-50	73	2.43458
-49	73	2.58418
-48	73	2.58003
-47	73	2.38396
-46	73	2.09838
-45	73	1.82287
-44	73	1.50981
-43	73	1.19464
-42	73	0.949415
-41	73	0.911749
-40	73	1.01357
-39	73	1.28562
-38	73	1.67407
-37	73	2.15037
-36	73	2.62957
-35	73	3.05579
-34	73	3.44467
-33	73	3.78147
-32	73	4.04126
-31	73	4.19886
-30	73	4.35475

-29	73	4.46854
-28	73	4.47792
-27	73	4.43621
-26	73	4.33442
-25	73	4.19946
-24	73	4.01596
-23	73	3.81962
-22	73	3.63823
-21	73	3.52858
-20	73	3.27849
-19	73	3.10295
-18	73	2.959
-17	73	2.86596
-16	73	2.77969
-15	73	2.68358
-14	73	2.70314
-13	73	2.6407
-12	73	2.63449
-11	73	2.64565
-10	73	2.71653
-9	73	2.86005
-8	73	2.87009
-7	73	2.86757
-6	73	2.98414
-5	73	3.0563
-4	73	3.10714
-3	73	3.14249
-2	73	3.13967
-1	73	3.1549
0	73	3.19872
1	73	3.26273
2	73	3.34142
3	73	3.37261
4	73	3.40922
5	73	3.34971
6	73	3.34999
7	73	3.3251
8	73	3.28619
9	73	3.23338
10	73	3.20418
11	73	3.13936
12	73	3.08292
13	73	3.05223
14	73	3.02798
15	73	2.9399
16	73	2.89191
17	73	2.87756
18	73	2.80102
19	73	2.77631
20	73	2.76039
21	73	2.75356
22	73	2.70496
23	73	2.73815
24	73	2.73511
25	73	2.76685
26	73	2.80884
27	73	2.91107
28	73	2.95903
29	73	3.00885
30	73	3.07756
31	73	3.17643
32	73	3.26022
33	73	3.32793
34	73	3.34715
35	73	3.3985
36	73	3.36017
37	73	3.3178
38	73	3.33826
39	73	3.18069
40	73	2.97634
41	73	2.7221
42	73	2.37754
43	73	1.99098
44	73	1.53783
45	73	1.06823
46	73	0.607974
47	73	0.197619
48	73	-0.0920316
49	73	-0.152632
50	73	0.0134783
51	73	0.336584
52	73	0.74321
53	73	1.17602
54	73	1.56
55	73	1.85264
56	73	1.99666
57	73	1.98474
58	73	1.79901
59	73	1.42508
60	73	0.91824
61	73	0.1255
62	73	-1.0995
63	73	-2.48858
64	73	-3.84613
65	73	-4.85476

66	73	-4.9411
67	73	-4.05365
68	73	-2.81073
69	73	-1.58612
70	73	-0.616277
71	73	0.0234841
72	73	0.363887
73	73	0.364731
74	73	-0.0879816
75	73	-0.827303
76	73	-2.12977
77	73	-4.11817
78	73	-7.12044
79	73	-11.7703
80	73	-15.4109
81	73	-10.3777
82	73	-6.36449
83	73	-3.61335
84	73	-1.85409
85	73	-0.622567
86	73	0.0440759
87	73	0.236204
88	73	0.0349788
89	73	-0.813422
90	73	-2.07523
91	73	-3.99856
92	73	-6.88253
93	73	-11.053
94	73	-13.2977
95	73	-9.65025
96	73	-5.67915
97	73	-3.51237
98	73	-1.81189
99	73	-0.718563
100	73	-0.0711382
101	73	0.186736
102	73	0.0222311
103	73	-0.466594
104	73	-1.29706
105	73	-2.46081
106	73	-3.85913
107	73	-4.96267
108	73	-5.20322
109	73	-4.27725
110	73	-2.84431
111	73	-1.46965
112	73	-0.305674
113	73	0.54693
114	73	1.05783
115	73	1.34266
116	73	1.36804
117	73	1.13484
118	73	0.656697
119	73	0.0606538
120	73	-0.604366
121	73	-1.18206
122	73	-1.54476
123	73	-1.497
124	73	-1.05232
125	73	-0.373017
126	73	0.386718
127	73	1.05312
128	73	1.64152
129	73	2.07467
130	73	2.35529
131	73	2.4679
132	73	2.44558
133	73	2.23444
134	73	1.94164
135	73	1.68006
136	73	1.39208
137	73	1.1114
138	73	0.929959
139	73	0.905405
140	73	1.03498
141	73	1.333
142	73	1.74773
143	73	2.22016
144	73	2.68665
145	73	3.10403
146	73	3.49238
147	73	3.8109
148	73	4.06394
149	73	4.21419
150	73	4.34361
151	73	4.42761
152	73	4.40116
153	73	4.33054
154	73	4.23353
155	73	4.10063
156	73	3.95599
157	73	3.75145
158	73	3.57064
159	73	3.44656
160	73	3.1644

161	73	3.00385
162	73	2.84314
163	73	2.75307
164	73	2.67458
165	73	2.56403
166	73	2.61803
167	73	2.53791
168	73	2.55405
169	73	2.57909
170	73	2.6507
171	73	2.75457
172	73	2.77987
173	73	2.77349
174	73	2.87479
175	73	2.94534
176	73	3.01333
177	73	3.07107
178	73	3.07913
179	73	3.0574
180	73	3.04531
-180	74	3.23415
-179	74	3.32174
-178	74	3.40246
-177	74	3.45624
-176	74	3.46622
-175	74	3.43353
-174	74	3.42929
-173	74	3.40863
-172	74	3.37853
-171	74	3.35183
-170	74	3.31062
-169	74	3.23191
-168	74	3.19278
-167	74	3.14971
-166	74	3.13199
-165	74	3.04587
-164	74	3.01087
-163	74	2.98161
-162	74	2.93637
-161	74	2.92743
-160	74	2.87101
-159	74	2.87533
-158	74	2.87525
-157	74	2.84897
-156	74	2.83611
-155	74	2.81958
-154	74	2.77299
-153	74	2.92918
-152	74	2.88975
-151	74	2.89787
-150	74	2.98987
-149	74	3.04604
-148	74	3.10096
-147	74	3.16393
-146	74	3.22983
-145	74	3.27298
-144	74	3.27567
-143	74	3.21091
-142	74	3.208
-141	74	3.05403
-140	74	2.87916
-139	74	2.66727
-138	74	2.41072
-137	74	2.03528
-136	74	1.61285
-135	74	1.16334
-134	74	0.700065
-133	74	0.272194
-132	74	-0.0382059
-131	74	-0.176296
-130	74	-0.096456
-129	74	0.159847
-128	74	0.561982
-127	74	0.98835
-126	74	1.38496
-125	74	1.7031
-124	74	1.86492
-123	74	1.91431
-122	74	1.73468
-121	74	1.41596
-120	74	0.832058
-119	74	-0.0153617
-118	74	-1.07048
-117	74	-2.35678
-116	74	-3.66869
-115	74	-4.63699
-114	74	-4.64901
-113	74	-3.82967
-112	74	-2.59306
-111	74	-1.40222
-110	74	-0.485136
-109	74	0.117247
-108	74	0.417551
-107	74	0.380764
-106	74	-0.0737263

-105	74	-0.826596
-104	74	-2.10427
-103	74	-4.09807
-102	74	-7.15748
-101	74	-12.1709
-100	74	-16.8436
-99	74	-10.8518
-98	74	-6.44169
-97	74	-3.65528
-96	74	-1.90583
-95	74	-0.706223
-94	74	-0.048074
-93	74	0.219203
-92	74	0.00742296
-91	74	-0.81616
-90	74	-1.98044
-89	74	-3.85498
-88	74	-6.75838
-87	74	-10.3124
-86	74	-13.0449
-85	74	-9.86867
-84	74	-6.16051
-83	74	-3.58355
-82	74	-1.79851
-81	74	-0.732159
-80	74	-0.159403
-79	74	0.00247959
-78	74	-0.226554
-77	74	-0.810052
-76	74	-1.72686
-75	74	-2.96814
-74	74	-4.2916
-73	74	-5.37974
-72	74	-5.4034
-71	74	-4.32553
-70	74	-2.87256
-69	74	-1.55624
-68	74	-0.433611
-67	74	0.374729
-66	74	0.845632
-65	74	1.06576
-64	74	0.986265
-63	74	0.671556
-62	74	0.143141
-61	74	-0.448599
-60	74	-1.215
-59	74	-1.87058
-58	74	-2.14424
-57	74	-1.91033
-56	74	-1.26098
-55	74	-0.434523
-54	74	0.439844
-53	74	1.17168
-52	74	1.80427
-51	74	2.24274
-50	74	2.51124
-49	74	2.60061
-48	74	2.53657
-47	74	2.33491
-46	74	2.09353
-45	74	1.67606
-44	74	1.45388
-43	74	1.03678
-42	74	0.872843
-41	74	0.838674
-40	74	1.02777
-39	74	1.372
-38	74	1.80567
-37	74	2.35087
-36	74	2.84688
-35	74	3.28041
-34	74	3.66923
-33	74	3.99861
-32	74	4.22789
-31	74	4.37603
-30	74	4.52247
-29	74	4.60233
-28	74	4.583
-27	74	4.50893
-26	74	4.40302
-25	74	4.27306
-24	74	4.05832
-23	74	3.82732
-22	74	3.641
-21	74	3.51066
-20	74	3.22299
-19	74	3.09808
-18	74	2.91559
-17	74	2.85034
-16	74	2.78892
-15	74	2.76739
-14	74	2.73015
-13	74	2.71459
-12	74	2.7306
-11	74	2.76541

-10	74	2.84972
-9	74	2.97549
-8	74	3.0875
-7	74	3.10074
-6	74	3.14538
-5	74	3.1726
-4	74	3.1974
-3	74	3.25079
-2	74	3.27304
-1	74	3.29379
0	74	3.33576
1	74	3.41135
2	74	3.46588
3	74	3.51244
4	74	3.55202
5	74	3.51182
6	74	3.51193
7	74	3.49136
8	74	3.46767
9	74	3.43043
10	74	3.39621
11	74	3.32878
12	74	3.29903
13	74	3.26391
14	74	3.23687
15	74	3.15229
16	74	3.11328
17	74	3.07182
18	74	3.02601
19	74	2.9737
20	74	2.93389
21	74	2.93028
22	74	2.91657
23	74	2.87267
24	74	2.85398
25	74	2.83372
26	74	2.76495
27	74	2.92301
28	74	2.89434
29	74	2.91255
30	74	3.00664
31	74	3.06815
32	74	3.1387
33	74	3.20524
34	74	3.2658
35	74	3.30402
36	74	3.31171
37	74	3.24633
38	74	3.23593
39	74	3.09184
40	74	2.90822
41	74	2.72144
42	74	2.43361
43	74	2.06268
44	74	1.65998
45	74	1.24095
46	74	0.735816
47	74	0.367154
48	74	0.0372739
49	74	-0.0871565
50	74	-0.0381937
51	74	0.215764
52	74	0.579898
53	74	0.978506
54	74	1.36367
55	74	1.67202
56	74	1.84809
57	74	1.8944
58	74	1.71876
59	74	1.41862
60	74	0.857569
61	74	0.0349115
62	74	-0.979797
63	74	-2.2516
64	74	-3.61669
65	74	-4.64388
66	74	-4.84465
67	74	-4.03515
68	74	-2.78345
69	74	-1.57118
70	74	-0.584839
71	74	0.0875712
72	74	0.446321
73	74	0.46392
74	74	0.0764292
75	74	-0.647373
76	74	-1.85677
77	74	-3.77226
78	74	-6.6975
79	74	-11.5234
80	74	-16.8895
81	74	-11.5178
82	74	-6.77911
83	74	-3.83668
84	74	-1.99497

85	74	-0.755426
86	74	-0.0177168
87	74	0.297976
88	74	0.153852
89	74	-0.593689
90	74	-1.64661
91	74	-3.42876
92	74	-6.1944
93	74	-9.77796
94	74	-12.8179
95	74	-10.0332
96	74	-6.24062
97	74	-3.57377
98	74	-1.77909
99	74	-0.654739
100	74	-0.0217781
101	74	0.200019
102	74	0.0229653
103	74	-0.517882
104	74	-1.39993
105	74	-2.58287
106	74	-3.94862
107	74	-5.06373
108	74	-5.25666
109	74	-4.36658
110	74	-3.00988
111	74	-1.61145
112	74	-0.535101
113	74	0.286189
114	74	0.779567
115	74	1.02112
116	74	1.00775
117	74	0.725058
118	74	0.230523
119	74	-0.383974
120	74	-1.05218
121	74	-1.5631
122	74	-1.81566
123	74	-1.63199
124	74	-1.07952
125	74	-0.334825
126	74	0.460058
127	74	1.1719
128	74	1.75465
129	74	2.15956
130	74	2.39053
131	74	2.45754
132	74	2.38405
133	74	2.19141
134	74	1.92254
135	74	1.52778
136	74	1.30142
137	74	0.951813
138	74	0.821175
139	74	0.843735
140	74	1.04505
141	74	1.41589
142	74	1.89126
143	74	2.40596
144	74	2.88953
145	74	3.32133
146	74	3.69057
147	74	4.0143
148	74	4.23696
149	74	4.36242
150	74	4.49279
151	74	4.54172
152	74	4.49787
153	74	4.41589
154	74	4.29545
155	74	4.14304
156	74	3.96247
157	74	3.7242
158	74	3.52855
159	74	3.40505
160	74	3.10175
161	74	2.97709
162	74	2.79601
163	74	2.73332
164	74	2.69619
165	74	2.65577
166	74	2.65115
167	74	2.6207
168	74	2.66417
169	74	2.70625
170	74	2.79197
171	74	2.9122
172	74	3.01675
173	74	3.03223
174	74	3.07049
175	74	3.1045
176	74	3.13948
177	74	3.22767
178	74	3.25146
179	74	3.22148

180	74	3.23415
-180	75	3.41464
-179	75	3.49115
-178	75	3.54488
-177	75	3.58197
-176	75	3.59219
-175	75	3.59454
-174	75	3.5857
-173	75	3.57268
-172	75	3.55898
-171	75	3.52763
-170	75	3.48055
-169	75	3.4138
-168	75	3.37594
-167	75	3.32872
-166	75	3.32467
-165	75	3.2289
-164	75	3.21912
-163	75	3.1679
-162	75	3.1352
-161	75	3.10263
-160	75	3.06446
-159	75	3.073
-158	75	2.99014
-157	75	2.92523
-156	75	2.84507
-155	75	2.95369
-154	75	2.92564
-153	75	2.95315
-152	75	2.9708
-151	75	2.97244
-150	75	3.02202
-149	75	3.06596
-148	75	3.117
-147	75	3.1694
-146	75	3.21245
-145	75	3.24951
-144	75	3.25443
-143	75	3.2431
-142	75	3.18851
-141	75	3.0667
-140	75	2.89612
-139	75	2.69686
-138	75	2.38275
-137	75	2.02709
-136	75	1.65133
-135	75	1.20669
-134	75	0.749727
-133	75	0.319963
-132	75	-0.0220101
-131	75	-0.208472
-130	75	-0.204977
-129	75	0.00515547
-128	75	0.363648
-127	75	0.774184
-126	75	1.19009
-125	75	1.48759
-124	75	1.59923
-123	75	1.79308
-122	75	1.69852
-121	75	1.35795
-120	75	0.841217
-119	75	0.0212053
-118	75	-1.02736
-117	75	-2.30328
-116	75	-3.62667
-115	75	-4.62383
-114	75	-4.7147
-113	75	-3.9049
-112	75	-2.63722
-111	75	-1.41029
-110	75	-0.436771
-109	75	0.240792
-108	75	0.590232
-107	75	0.601382
-106	75	0.224393
-105	75	-0.535657
-104	75	-1.68886
-103	75	-3.5682
-102	75	-6.44426
-101	75	-11.2364
-100	75	-18.0662
-99	75	-12.2087
-98	75	-7.17096
-97	75	-3.96172
-96	75	-1.99702
-95	75	-0.764603
-94	75	-0.111967
-93	75	0.182829
-92	75	0.0836312
-91	75	-0.74517
-90	75	-1.81559
-89	75	-3.67376
-88	75	-6.3986
-87	75	-9.81278

-86	75	-13.7046
-85	75	-10.552
-84	75	-6.67134
-83	75	-4.00407
-82	75	-2.28032
-81	75	-1.07023
-80	75	-0.513871
-79	75	-0.183592
-78	75	-0.3367
-77	75	-0.858227
-76	75	-1.75617
-75	75	-3.00864
-74	75	-4.36979
-73	75	-5.33382
-72	75	-5.44549
-71	75	-4.44581
-70	75	-3.07112
-69	75	-1.65344
-68	75	-0.601102
-67	75	0.147266
-66	75	0.599637
-65	75	0.752974
-64	75	0.674166
-63	75	0.438894
-62	75	-0.0982055
-61	75	-0.820614
-60	75	-1.53916
-59	75	-2.05611
-58	75	-2.15059
-57	75	-1.79533
-56	75	-1.11137
-55	75	-0.20862
-54	75	0.64088
-53	75	1.35381
-52	75	1.90871
-51	75	2.34435
-50	75	2.55606
-49	75	2.60968
-48	75	2.50313
-47	75	2.29019
-46	75	1.98544
-45	75	1.61292
-44	75	1.24313
-43	75	0.922416
-42	75	1.00264
-41	75	0.962158
-40	75	1.17677
-39	75	1.56305
-38	75	2.07869
-37	75	2.61944
-36	75	3.11344
-35	75	3.54542
-34	75	3.91351
-33	75	4.22644
-32	75	4.42422
-31	75	4.57041
-30	75	4.69055
-29	75	4.73307
-28	75	4.68922
-27	75	4.6058
-26	75	4.463
-25	75	4.30152
-24	75	4.07295
-23	75	3.82326
-22	75	3.62058
-21	75	3.43539
-20	75	3.18282
-19	75	3.09507
-18	75	2.86119
-17	75	2.80396
-16	75	2.77225
-15	75	2.73059
-14	75	2.73751
-13	75	2.72459
-12	75	2.81423
-11	75	2.87061
-10	75	2.98857
-9	75	3.10609
-8	75	3.14188
-7	75	3.22565
-6	75	3.29479
-5	75	3.36751
-4	75	3.40022
-3	75	3.41514
-2	75	3.44941
-1	75	3.44197
0	75	3.50084
1	75	3.55581
2	75	3.5981
3	75	3.6283
4	75	3.67671
5	75	3.6422
6	75	3.64296
7	75	3.63622
8	75	3.61687

9	75	3.59999
10	75	3.55135
11	75	3.50737
12	75	3.45092
13	75	3.42683
14	75	3.41734
15	75	3.32202
16	75	3.31019
17	75	3.23774
18	75	3.18358
19	75	3.16612
20	75	3.12741
21	75	3.11954
22	75	3.03872
23	75	2.97646
24	75	2.88822
25	75	2.99917
26	75	3.00742
27	75	2.98446
28	75	2.99233
29	75	2.98127
30	75	3.04864
31	75	3.09176
32	75	3.16206
33	75	3.21729
34	75	3.2621
35	75	3.29589
36	75	3.3085
37	75	3.27148
38	75	3.21068
39	75	3.07957
40	75	2.91278
41	75	2.70584
42	75	2.39062
43	75	2.04073
44	75	1.68914
45	75	1.22711
46	75	0.853619
47	75	0.400704
48	75	0.123854
49	75	-0.0765423
50	75	-0.0698297
51	75	0.138521
52	75	0.471216
53	75	0.867449
54	75	1.239
55	75	1.52496
56	75	1.64184
57	75	1.82491
58	75	1.73807
59	75	1.40509
60	75	0.885054
61	75	0.113072
62	75	-0.914885
63	75	-2.19018
64	75	-3.52307
65	75	-4.59829
66	75	-4.94883
67	75	-4.12344
68	75	-2.83814
69	75	-1.57403
70	75	-0.537499
71	75	0.184987
72	75	0.598562
73	75	0.691945
74	75	0.367198
75	75	-0.327214
76	75	-1.44574
77	75	-3.25225
78	75	-6.02717
79	75	-10.5452
80	75	-17.9731
81	75	-13.1039
82	75	-7.61493
83	75	-4.24693
84	75	-2.11215
85	75	-0.824775
86	75	-0.103918
87	75	0.237075
88	75	0.201999
89	75	-0.560611
90	75	-1.52721
91	75	-3.27562
92	75	-5.93651
93	75	-9.13946
94	75	-13.0575
95	75	-10.5134
96	75	-6.72788
97	75	-4.02873
98	75	-2.25632
99	75	-1.01203
100	75	-0.398194
101	75	0.00251675
102	75	-0.134843
103	75	-0.624973

104	75	-1.46427
105	75	-2.69716
106	75	-4.06151
107	75	-5.19116
108	75	-5.4
109	75	-4.54639
110	75	-3.18358
111	75	-1.86506
112	75	-0.719704
113	75	0.0201751
114	75	0.512085
115	75	0.707368
116	75	0.670633
117	75	0.433441
118	75	-0.0830473
119	75	-0.703167
120	75	-1.32086
121	75	-1.7416
122	75	-1.84125
123	75	-1.52449
124	75	-0.924516
125	75	-0.117441
126	75	0.660961
127	75	1.34176
128	75	1.87499
129	75	2.22435
130	75	2.4372
131	75	2.45573
132	75	2.32977
133	75	2.11654
134	75	1.80878
135	75	1.45248
136	75	1.12161
137	75	0.833034
138	75	0.959452
139	75	0.946639
140	75	1.18452
141	75	1.61063
142	75	2.12575
143	75	2.66567
144	75	3.15779
145	75	3.58063
146	75	3.92402
147	75	4.24024
148	75	4.42176
149	75	4.54029
150	75	4.64333
151	75	4.6553
152	75	4.58489
153	75	4.47831
154	75	4.33654
155	75	4.15288
156	75	3.93202
157	75	3.67813
158	75	3.47798
159	75	3.29251
160	75	3.00918
161	75	2.90923
162	75	2.70955
163	75	2.6652
164	75	2.61931
165	75	2.57708
166	75	2.60756
167	75	2.62597
168	75	2.69914
169	75	2.77503
170	75	2.90618
171	75	3.01059
172	75	3.06442
173	75	3.13161
174	75	3.20173
175	75	3.25583
176	75	3.28765
177	75	3.35742
178	75	3.41386
179	75	3.36494
180	75	3.41464
-180	76	3.68113
-179	76	3.65893
-178	76	3.67334
-177	76	3.70558
-176	76	3.72895
-175	76	3.73028
-174	76	3.72397
-173	76	3.69974
-172	76	3.66416
-171	76	3.65083
-170	76	3.62067
-169	76	3.54704
-168	76	3.50626
-167	76	3.46123
-166	76	3.43824
-165	76	3.34439
-164	76	3.33136
-163	76	3.27123

-162	76	3.24823
-161	76	3.21633
-160	76	3.23506
-159	76	3.13952
-158	76	3.11367
-157	76	3.07245
-156	76	3.08746
-155	76	3.07237
-154	76	3.06208
-153	76	3.05905
-152	76	3.06811
-151	76	3.1151
-150	76	3.14612
-149	76	3.17428
-148	76	3.21296
-147	76	3.26771
-146	76	3.31067
-145	76	3.33771
-144	76	3.341
-143	76	3.32508
-142	76	3.24667
-141	76	3.13694
-140	76	2.99395
-139	76	2.76638
-138	76	2.44951
-137	76	2.1031
-136	76	1.712
-135	76	1.20812
-134	76	0.734342
-133	76	0.311064
-132	76	-0.0717551
-131	76	-0.320306
-130	76	-0.35737
-129	76	-0.191265
-128	76	0.127805
-127	76	0.49172
-126	76	0.892851
-125	76	1.35945
-124	76	1.654
-123	76	1.74408
-122	76	1.6721
-121	76	1.38847
-120	76	0.886795
-119	76	0.12259
-118	76	-0.888896
-117	76	-2.25926
-116	76	-3.6661
-115	76	-4.8353
-114	76	-5.11623
-113	76	-4.33585
-112	76	-2.952
-111	76	-1.58817
-110	76	-0.527711
-109	76	0.237842
-108	76	0.667738
-107	76	0.744622
-106	76	0.463313
-105	76	-0.253001
-104	76	-1.3038
-103	76	-3.06276
-102	76	-5.70178
-101	76	-10.0084
-100	76	-17.1749
-99	76	-13.337
-98	76	-7.85603
-97	76	-4.54004
-96	76	-2.51249
-95	76	-1.14767
-94	76	-0.251814
-93	76	0.0568561
-92	76	-0.0214837
-91	76	-0.883169
-90	76	-1.91459
-89	76	-3.7519
-88	76	-6.42132
-87	76	-10.0397
-86	76	-14.5967
-85	76	-11.6106
-84	76	-7.3478
-83	76	-4.46865
-82	76	-2.60473
-81	76	-1.40147
-80	76	-0.702518
-79	76	-0.387267
-78	76	-0.728244
-77	76	-1.04771
-76	76	-1.93412
-75	76	-3.18227
-74	76	-4.56135
-73	76	-5.61886
-72	76	-5.63136
-71	76	-4.6809
-70	76	-3.22741
-69	76	-1.76461
-68	76	-0.715532

-67	76	-0.0260552
-66	76	0.398171
-65	76	0.580278
-64	76	0.561896
-63	76	0.207332
-62	76	-0.350752
-61	76	-1.02185
-60	76	-1.6605
-59	76	-2.03082
-58	76	-2.03407
-57	76	-1.55563
-56	76	-0.778824
-55	76	0.0695442
-54	76	0.860127
-53	76	1.54575
-52	76	2.0953
-51	76	2.43359
-50	76	2.62438
-49	76	2.6282
-48	76	2.49865
-47	76	2.24631
-46	76	1.91016
-45	76	1.51865
-44	76	1.18579
-43	76	0.946388
-42	76	0.884524
-41	76	1.01132
-40	76	1.46987
-39	76	1.8662
-38	76	2.35345
-37	76	2.90103
-36	76	3.38388
-35	76	3.81319
-34	76	4.16279
-33	76	4.44365
-32	76	4.62384
-31	76	4.76104
-30	76	4.83491
-29	76	4.83875
-28	76	4.77199
-27	76	4.64689
-26	76	4.4913
-25	76	4.29027
-24	76	4.04653
-23	76	3.7732
-22	76	3.58659
-21	76	3.35826
-20	76	3.09335
-19	76	2.99956
-18	76	2.77911
-17	76	2.71651
-16	76	2.70058
-15	76	2.65633
-14	76	2.73042
-13	76	2.75282
-12	76	2.76168
-11	76	2.95719
-10	76	3.0596
-9	76	3.17312
-8	76	3.26211
-7	76	3.30881
-6	76	3.40494
-5	76	3.46954
-4	76	3.53023
-3	76	3.58533
-2	76	3.59878
-1	76	3.60547
0	76	3.72001
1	76	3.696
2	76	3.69786
3	76	3.72919
4	76	3.7801
5	76	3.77905
6	76	3.74936
7	76	3.73743
8	76	3.72136
9	76	3.72193
10	76	3.65605
11	76	3.6068
12	76	3.56117
13	76	3.53012
14	76	3.50851
15	76	3.40394
16	76	3.38864
17	76	3.32784
18	76	3.29309
19	76	3.25372
20	76	3.27882
21	76	3.18658
22	76	3.17841
23	76	3.12209
24	76	3.13221
25	76	3.10326
26	76	3.13812
27	76	3.09506

28	76	3.10419
29	76	3.13576
30	76	3.16548
31	76	3.22013
32	76	3.2705
33	76	3.31739
34	76	3.36107
35	76	3.39286
36	76	3.39262
37	76	3.37086
38	76	3.27924
39	76	3.14573
40	76	2.99814
41	76	2.75601
42	76	2.43394
43	76	2.09053
44	76	1.70026
45	76	1.24773
46	76	0.796658
47	76	0.406371
48	76	0.0816602
49	76	-0.142713
50	76	-0.173793
51	76	-0.00898486
52	76	0.311403
53	76	0.667197
54	76	1.04242
55	76	1.48082
56	76	1.76086
57	76	1.85062
58	76	1.77899
59	76	1.50224
60	76	1.00836
61	76	0.2697
62	76	-0.748055
63	76	-2.03148
64	76	-3.45397
65	76	-4.73149
66	76	-5.19638
67	76	-4.53151
68	76	-3.15626
69	76	-1.7484
70	76	-0.606701
71	76	0.193667
72	76	0.652463
73	76	0.786341
74	76	0.615712
75	76	-0.0493028
76	76	-1.02762
77	76	-2.69124
78	76	-5.24803
79	76	-9.31254
80	76	-16.4687
81	76	-14.2295
82	76	-8.2953
83	76	-4.84166
84	76	-2.67005
85	76	-1.18253
86	76	-0.237288
87	76	0.140069
88	76	0.141021
89	76	-0.636726
90	76	-1.5972
91	76	-3.32718
92	76	-5.89806
93	76	-9.21598
94	76	-13.3518
95	76	-11.4114
96	76	-7.35338
97	76	-4.51067
98	76	-2.63342
99	76	-1.392
100	76	-0.655939
101	76	-0.302395
102	76	-0.60543
103	76	-0.920399
104	76	-1.75273
105	76	-2.96015
106	76	-4.37711
107	76	-5.55118
108	76	-5.75433
109	76	-4.67202
110	76	-3.2987
111	76	-1.8946
112	76	-0.820813
113	76	-0.0837461
114	76	0.42336
115	76	0.591361
116	76	0.530129
117	76	0.27597
118	76	-0.212698
119	76	-0.810095
120	76	-1.39706
121	76	-1.72309
122	76	-1.75443

123	76	-1.33505
124	76	-0.67123
125	76	0.0810709
126	76	0.827354
127	76	1.47371
128	76	1.9623
129	76	2.28158
130	76	2.44344
131	76	2.43724
132	76	2.29053
133	76	2.03693
134	76	1.70651
135	76	1.34126
136	76	1.02071
137	76	0.842152
138	76	0.838522
139	76	0.998707
140	76	1.47319
141	76	1.90055
142	76	2.38733
143	76	2.92008
144	76	3.40284
145	76	3.79334
146	76	4.13031
147	76	4.41777
148	76	4.57623
149	76	4.68162
150	76	4.73627
151	76	4.70145
152	76	4.61548
153	76	4.46974
154	76	4.28308
155	76	4.07336
156	76	3.84027
157	76	3.5802
158	76	3.36649
159	76	3.12197
160	76	2.86981
161	76	2.7617
162	76	2.56211
163	76	2.49684
164	76	2.48949
165	76	2.46244
166	76	2.55256
167	76	2.59789
168	76	2.67704
169	76	2.81197
170	76	2.92532
171	76	3.05919
172	76	3.12608
173	76	3.21039
174	76	3.30455
175	76	3.37631
176	76	3.45379
177	76	3.51424
178	76	3.54048
179	76	3.54913
180	76	3.68113
-180	77	3.8376
-179	77	3.83362
-178	77	3.9253
-177	77	3.90827
-176	77	3.87065
-175	77	3.88297
-174	77	3.84753
-173	77	3.82993
-172	77	3.80273
-171	77	3.79392
-170	77	3.74294
-169	77	3.69353
-168	77	3.63516
-167	77	3.57661
-166	77	3.528
-165	77	3.45194
-164	77	3.42969
-163	77	3.36779
-162	77	3.32879
-161	77	3.32605
-160	77	3.37533
-159	77	3.16317
-158	77	3.15648
-157	77	3.15992
-156	77	3.14405
-155	77	3.13853
-154	77	3.14327
-153	77	3.1383
-152	77	3.14711
-151	77	3.18245
-150	77	3.23383
-149	77	3.28559
-148	77	3.34408
-147	77	3.39204
-146	77	3.44332
-145	77	3.48127
-144	77	3.47854

-143	77	3.47096
-142	77	3.40688
-141	77	3.2528
-140	77	3.11652
-139	77	2.90339
-138	77	2.61151
-137	77	2.27439
-136	77	1.82046
-135	77	1.30743
-134	77	0.817317
-133	77	0.303371
-132	77	-0.183288
-131	77	-0.465136
-130	77	-0.557996
-129	77	-0.396935
-128	77	-0.0423482
-127	77	0.312361
-126	77	0.857671
-125	77	1.27157
-124	77	1.59052
-123	77	1.76849
-122	77	1.71711
-121	77	1.48793
-120	77	1.02641
-119	77	0.310241
-118	77	-0.660952
-117	77	-1.92743
-116	77	-3.44889
-115	77	-4.80001
-114	77	-5.40721
-113	77	-4.75097
-112	77	-3.36129
-111	77	-1.94697
-110	77	-0.768633
-109	77	0.0677232
-108	77	0.589953
-107	77	0.77049
-106	77	0.568979
-105	77	-0.0455886
-104	77	-1.0201
-103	77	-2.65644
-102	77	-5.20056
-101	77	-9.30123
-100	77	-15.6744
-99	77	-14.7911
-98	77	-9.32716
-97	77	-5.28818
-96	77	-2.95565
-95	77	-1.50508
-94	77	-0.600845
-93	77	-0.196485
-92	77	-0.169576
-91	77	-0.857812
-90	77	-1.89187
-89	77	-3.66254
-88	77	-6.31088
-87	77	-10.1049
-86	77	-15.3941
-85	77	-12.2563
-84	77	-7.57662
-83	77	-4.62593
-82	77	-2.70121
-81	77	-1.49667
-80	77	-0.802648
-79	77	-0.553929
-78	77	-0.685336
-77	77	-1.17385
-76	77	-2.2947
-75	77	-3.27133
-74	77	-4.59816
-73	77	-5.62552
-72	77	-5.69602
-71	77	-4.67422
-70	77	-3.313
-69	77	-1.91472
-68	77	-0.810194
-67	77	-0.161138
-66	77	0.345167
-65	77	0.512073
-64	77	0.42101
-63	77	0.0842734
-62	77	-0.431204
-61	77	-1.08942
-60	77	-1.63347
-59	77	-1.96618
-58	77	-1.87845
-57	77	-1.36472
-56	77	-0.585673
-55	77	0.282149
-54	77	1.06908
-53	77	1.72676
-52	77	2.18611
-51	77	2.47436
-50	77	2.65176
-49	77	2.62595

-48	77	2.45713
-47	77	2.19811
-46	77	1.8377
-45	77	1.44224
-44	77	1.10589
-43	77	0.979313
-42	77	0.921437
-41	77	1.13314
-40	77	1.49825
-39	77	2.03992
-38	77	2.57961
-37	77	3.16458
-36	77	3.59726
-35	77	3.99217
-34	77	4.32645
-33	77	4.57922
-32	77	4.75777
-31	77	4.87179
-30	77	4.90182
-29	77	4.86618
-28	77	4.76023
-27	77	4.61692
-26	77	4.41448
-25	77	4.17279
-24	77	3.88973
-23	77	3.58731
-22	77	3.41939
-21	77	3.16646
-20	77	2.94144
-19	77	2.78982
-18	77	2.61225
-17	77	2.55886
-16	77	2.54735
-15	77	2.53939
-14	77	2.55098
-13	77	2.67804
-12	77	2.76888
-11	77	2.87794
-10	77	3.01724
-9	77	3.15095
-8	77	3.25922
-7	77	3.32895
-6	77	3.45031
-5	77	3.53276
-4	77	3.61067
-3	77	3.69341
-2	77	3.74
-1	77	3.80036
0	77	3.81568
1	77	3.81397
2	77	3.911
3	77	3.8888
4	77	3.87542
5	77	3.87788
6	77	3.85436
7	77	3.8408
8	77	3.82076
9	77	3.83219
10	77	3.77212
11	77	3.71256
12	77	3.66639
13	77	3.62859
14	77	3.5814
15	77	3.48834
16	77	3.45279
17	77	3.4022
18	77	3.36673
19	77	3.37101
20	77	3.42076
21	77	3.20793
22	77	3.22647
23	77	3.18587
24	77	3.17593
25	77	3.15213
26	77	3.15222
27	77	3.16835
28	77	3.18955
29	77	3.21909
30	77	3.2663
31	77	3.32599
32	77	3.37623
33	77	3.44075
34	77	3.49211
35	77	3.5161
36	77	3.50772
37	77	3.49532
38	77	3.4259
39	77	3.25099
40	77	3.11178
41	77	2.87939
42	77	2.59513
43	77	2.2566
44	77	1.81815
45	77	1.32432
46	77	0.864962

47	77	0.372599
48	77	-0.057956
49	77	-0.314967
50	77	-0.406967
51	77	-0.247946
52	77	0.0957403
53	77	0.444554
54	77	0.971965
55	77	1.37668
56	77	1.68279
57	77	1.83796
58	77	1.81905
59	77	1.59635
60	77	1.14752
61	77	0.426792
62	77	-0.541929
63	77	-1.82874
64	77	-3.33606
65	77	-4.78559
66	77	-5.56275
67	77	-5.03276
68	77	-3.64751
69	77	-2.16727
70	77	-0.892527
71	77	-0.0115981
72	77	0.552638
73	77	0.77801
74	77	0.625339
75	77	0.120298
76	77	-0.800045
77	77	-2.35023
78	77	-4.82187
79	77	-8.83595
80	77	-15.3233
81	77	-16.0134
82	77	-9.88092
83	77	-5.53586
84	77	-3.08263
85	77	-1.55167
86	77	-0.561844
87	77	-0.0821581
88	77	0.0284578
89	77	-0.59572
90	77	-1.5611
91	77	-3.24537
92	77	-5.73904
93	77	-9.27932
94	77	-14.2153
95	77	-12.1932
96	77	-7.76679
97	77	-4.80135
98	77	-2.84139
99	77	-1.52489
100	77	-0.780201
101	77	-0.502584
102	77	-0.611007
103	77	-1.0931
104	77	-2.08024
105	77	-3.11689
106	77	-4.42198
107	77	-5.49902
108	77	-5.66412
109	77	-4.78318
110	77	-3.39626
111	77	-2.01723
112	77	-0.921919
113	77	-0.183242
114	77	0.345829
115	77	0.499113
116	77	0.422937
117	77	0.149694
118	77	-0.34243
119	77	-0.911634
120	77	-1.40584
121	77	-1.71976
122	77	-1.66359
123	77	-1.19964
124	77	-0.499231
125	77	0.25029
126	77	0.975591
127	77	1.57996
128	77	2.02008
129	77	2.3027
130	77	2.45832
131	77	2.43277
132	77	2.26546
133	77	1.98856
134	77	1.64444
135	77	1.29038
136	77	1.00536
137	77	0.868559
138	77	0.922408
139	77	1.14819
140	77	1.55106
141	77	2.09629

142	77	2.61806
143	77	3.18275
144	77	3.59738
145	77	3.95937
146	77	4.28015
147	77	4.5046
148	77	4.65068
149	77	4.72164
150	77	4.72885
151	77	4.66108
152	77	4.53758
153	77	4.35392
154	77	4.13868
155	77	3.91609
156	77	3.65754
157	77	3.36034
158	77	3.14838
159	77	2.9106
160	77	2.6835
161	77	2.53624
162	77	2.38258
163	77	2.35305
164	77	2.38122
165	77	2.40239
166	77	2.43385
167	77	2.60426
168	77	2.7057
169	77	2.84982
170	77	2.98193
171	77	3.11855
172	77	3.22668
173	77	3.32705
174	77	3.44287
175	77	3.51179
176	77	3.60195
177	77	3.66808
178	77	3.734
179	77	3.80528
180	77	3.8376
-180	78	4.0421
-179	78	4.02654
-178	78	3.9853
-177	78	3.99297
-176	78	4.1049
-175	78	4.09966
-174	78	3.98926
-173	78	3.97369
-172	78	3.9514
-171	78	3.93458
-170	78	3.875
-169	78	3.84358
-168	78	3.77107
-167	78	3.69427
-166	78	3.63499
-165	78	3.56947
-164	78	3.52243
-163	78	3.46141
-162	78	3.48962
-161	78	3.35095
-160	78	3.24991
-159	78	3.21661
-158	78	3.17248
-157	78	3.16288
-156	78	3.14983
-155	78	3.14414
-154	78	3.14717
-153	78	3.16958
-152	78	3.19019
-151	78	3.22773
-150	78	3.27146
-149	78	3.32767
-148	78	3.39972
-147	78	3.47417
-146	78	3.53957
-145	78	3.57575
-144	78	3.60459
-143	78	3.60938
-142	78	3.59488
-141	78	3.42334
-140	78	3.30743
-139	78	3.1153
-138	78	2.85535
-137	78	2.52637
-136	78	2.10547
-135	78	1.60166
-134	78	1.03055
-133	78	0.405162
-132	78	-0.127455
-131	78	-0.404411
-130	78	-0.663787
-129	78	-0.810629
-128	78	-0.434152
-127	78	0.0158958
-126	78	0.536897
-125	78	1.02485

-124	78	1.41078
-123	78	1.65717
-122	78	1.7016
-121	78	1.51433
-120	78	1.1335
-119	78	0.47136
-118	78	-0.465546
-117	78	-1.71572
-116	78	-3.19027
-115	78	-4.70117
-114	78	-5.62804
-113	78	-5.24698
-112	78	-3.89218
-111	78	-2.404
-110	78	-1.1434
-109	78	-0.197811
-108	78	0.38484
-107	78	0.640691
-106	78	0.502649
-105	78	-0.0472795
-104	78	-0.974036
-103	78	-2.50823
-102	78	-4.78118
-101	78	-8.17936
-100	78	-13.4568
-99	78	-15.179
-98	78	-9.74641
-97	78	-5.66829
-96	78	-3.20479
-95	78	-1.65517
-94	78	-0.747226
-93	78	-0.355963
-92	78	-0.291043
-91	78	-0.84386
-90	78	-1.99118
-89	78	-3.64239
-88	78	-6.22698
-87	78	-10.3205
-86	78	-16.3002
-85	78	-12.5964
-84	78	-7.73414
-83	78	-4.68746
-82	78	-2.71995
-81	78	-1.48983
-80	78	-0.77719
-79	78	-0.498476
-78	78	-0.61961
-77	78	-1.13833
-76	78	-1.99038
-75	78	-3.31888
-74	78	-4.71868
-73	78	-5.62662
-72	78	-5.62097
-71	78	-4.60754
-70	78	-3.22833
-69	78	-1.92995
-68	78	-0.801558
-67	78	-0.142715
-66	78	0.338237
-65	78	0.51234
-64	78	0.421978
-63	78	0.0870974
-62	78	-0.436689
-61	78	-1.06038
-60	78	-1.61732
-59	78	-1.88017
-58	78	-1.72716
-57	78	-1.17393
-56	78	-0.378749
-55	78	0.462771
-54	78	1.22402
-53	78	1.82529
-52	78	2.26507
-51	78	2.54357
-50	78	2.65696
-49	78	2.64329
-48	78	2.4421
-47	78	2.17796
-46	78	1.79786
-45	78	1.42645
-44	78	1.11306
-43	78	0.960756
-42	78	1.00629
-41	78	1.25982
-40	78	1.66795
-39	78	2.18113
-38	78	2.70872
-37	78	3.28304
-36	78	3.5881
-35	78	4.0787
-34	78	4.34801
-33	78	4.56832
-32	78	4.72102
-31	78	4.78932
-30	78	4.78216

-29	78	4.71026
-28	78	4.58211
-27	78	4.40662
-26	78	4.17721
-25	78	3.9272
-24	78	3.63117
-23	78	3.36678
-22	78	3.14458
-21	78	2.91556
-20	78	2.71182
-19	78	2.5712
-18	78	2.46334
-17	78	2.42444
-16	78	2.34127
-15	78	2.4313
-14	78	2.53749
-13	78	2.64498
-12	78	2.76956
-11	78	2.90528
-10	78	3.03966
-9	78	3.16564
-8	78	3.30518
-7	78	3.40771
-6	78	3.52688
-5	78	3.62844
-4	78	3.73818
-3	78	3.82922
-2	78	3.91788
-1	78	3.97692
0	78	3.98812
1	78	3.97451
2	78	3.9518
3	78	3.96432
4	78	4.07256
5	78	4.05691
6	78	3.94836
7	78	3.94905
8	78	3.94372
9	78	3.9219
10	78	3.88385
11	78	3.81325
12	78	3.75852
13	78	3.71382
14	78	3.65525
15	78	3.59987
16	78	3.5547
17	78	3.49089
18	78	3.53422
19	78	3.40362
20	78	3.29217
21	78	3.25135
22	78	3.21444
23	78	3.1858
24	78	3.15773
25	78	3.14832
26	78	3.16112
27	78	3.17419
28	78	3.19826
29	78	3.25473
30	78	3.30692
31	78	3.35783
32	78	3.43776
33	78	3.50561
34	78	3.56862
35	78	3.61566
36	78	3.63557
37	78	3.64115
38	78	3.62326
39	78	3.44519
40	78	3.31874
41	78	3.12009
42	78	2.85548
43	78	2.51604
44	78	2.10301
45	78	1.61282
46	78	1.05055
47	78	0.459253
48	78	-0.0512224
49	78	-0.28881
50	78	-0.530826
51	78	-0.664652
52	78	-0.297
53	78	0.14727
54	78	0.642478
55	78	1.12142
56	78	1.4992
57	78	1.71859
58	78	1.76742
59	78	1.61653
60	78	1.22175
61	78	0.589069
62	78	-0.328001
63	78	-1.55965
64	78	-3.07214
65	78	-4.64997

66	78	-5.72277
67	78	-5.50459
68	78	-4.20759
69	78	-2.65275
70	78	-1.33026
71	78	-0.32685
72	78	0.36162
73	78	0.66326
74	78	0.562304
75	78	0.0598087
76	78	-0.807257
77	78	-2.22488
78	78	-4.37865
79	78	-7.63465
80	78	-13.1011
81	78	-16.6822
82	78	-10.4675
83	78	-6.00436
84	78	-3.37056
85	78	-1.73106
86	78	-0.745796
87	78	-0.262599
88	78	-0.15866
89	78	-0.627576
90	78	-1.72056
91	78	-3.30588
92	78	-5.77789
93	78	-9.5841
94	78	-14.9675
95	78	-12.5
96	78	-7.95205
97	78	-4.87627
98	78	-2.8523
99	78	-1.55916
100	78	-0.80047
101	78	-0.511398
102	78	-0.574414
103	78	-1.10142
104	78	-1.89386
105	78	-3.20514
106	78	-4.63323
107	78	-5.51651
108	78	-5.62054
109	78	-4.68382
110	78	-3.31776
111	78	-1.9918
112	78	-0.868331
113	78	-0.206056
114	78	0.33469
115	78	0.533563
116	78	0.459531
117	78	0.140663
118	78	-0.398084
119	78	-0.988458
120	78	-1.48322
121	78	-1.80311
122	78	-1.70506
123	78	-1.21739
124	78	-0.484541
125	78	0.285858
126	78	1.01489
127	78	1.60174
128	78	2.03691
129	78	2.30401
130	78	2.41833
131	78	2.39088
132	78	2.20984
133	78	1.94265
134	78	1.60082
135	78	1.2648
136	78	1.00718
137	78	0.899749
138	78	0.978002
139	78	1.26515
140	78	1.66963
141	78	2.16789
142	78	2.70875
143	78	3.26674
144	78	3.55858
145	78	4.01898
146	78	4.27826
147	78	4.48579
148	78	4.61248
149	78	4.66078
150	78	4.63571
151	78	4.54643
152	78	4.39957
153	78	4.21657
154	78	3.97608
155	78	3.71869
156	78	3.43797
157	78	3.15637
158	78	2.94882
159	78	2.73557
160	78	2.52697

161	78	2.39593
162	78	2.30939
163	78	2.29822
164	78	2.21708
165	78	2.35083
166	78	2.45962
167	78	2.60673
168	78	2.74274
169	78	2.89427
170	78	3.05195
171	78	3.16669
172	78	3.28296
173	78	3.40294
174	78	3.54137
175	78	3.63691
176	78	3.73624
177	78	3.8212
178	78	3.91348
179	78	4.00127
180	78	4.0421
-180	79	4.18146
-179	79	4.15656
-178	79	4.13712
-177	79	4.158
-176	79	4.16666
-175	79	4.1757
-174	79	4.19806
-173	79	4.17513
-172	79	4.08392
-171	79	4.07789
-170	79	4.03688
-169	79	3.98164
-168	79	3.94018
-167	79	3.86772
-166	79	3.78251
-165	79	3.76936
-164	79	3.64588
-163	79	3.61537
-162	79	3.49058
-161	79	3.40464
-160	79	3.32417
-159	79	3.26689
-158	79	3.21984
-157	79	3.17142
-156	79	3.1372
-155	79	3.0661
-154	79	3.09181
-153	79	3.10277
-152	79	3.10434
-151	79	3.11849
-150	79	3.15885
-149	79	3.21802
-148	79	3.29777
-147	79	3.38432
-146	79	3.47171
-145	79	3.56353
-144	79	3.63634
-143	79	3.68027
-142	79	3.71495
-141	79	3.61803
-140	79	3.49903
-139	79	3.37689
-138	79	3.14459
-137	79	2.84762
-136	79	2.45849
-135	79	1.97497
-134	79	1.42918
-133	79	0.817435
-132	79	0.1916
-131	79	-0.399115
-130	79	-0.852601
-129	79	-0.882349
-128	79	-0.721836
-127	79	-0.366214
-126	79	0.189158
-125	79	0.713464
-124	79	1.15854
-123	79	1.45729
-122	79	1.56734
-121	79	1.47046
-120	79	1.14131
-119	79	0.518964
-118	79	-0.351836
-117	79	-1.52816
-116	79	-2.99582
-115	79	-4.58131
-114	79	-5.76816
-113	79	-5.70791
-112	79	-4.3692
-111	79	-2.85023
-110	79	-1.49344
-109	79	-0.475778
-108	79	0.162794
-107	79	0.506504
-106	79	0.525388

-105	79	0.00142524
-104	79	-0.955377
-103	79	-2.38902
-102	79	-4.51457
-101	79	-7.84539
-100	79	-12.9498
-99	79	-15.1415
-98	79	-10.051
-97	79	-6.04365
-96	79	-3.35865
-95	79	-1.7745
-94	79	-0.876318
-93	79	-0.442454
-92	79	-0.467085
-91	79	-0.922608
-90	79	-2.1245
-89	79	-3.80985
-88	79	-6.4066
-87	79	-10.7482
-86	79	-17.0062
-85	79	-12.7258
-84	79	-7.76175
-83	79	-4.67711
-82	79	-2.71851
-81	79	-1.43941
-80	79	-0.706435
-79	79	-0.428588
-78	79	-0.580019
-77	79	-1.07895
-76	79	-1.95987
-75	79	-3.19061
-74	79	-4.55526
-73	79	-5.55408
-72	79	-5.83319
-71	79	-4.79217
-70	79	-3.3639
-69	79	-2.07332
-68	79	-0.852778
-67	79	-0.203696
-66	79	0.231861
-65	79	0.373501
-64	79	0.273844
-63	79	-0.0361604
-62	79	-0.545653
-61	79	-1.11028
-60	79	-1.61331
-59	79	-1.8623
-58	79	-1.67398
-57	79	-1.07329
-56	79	-0.277043
-55	79	0.571995
-54	79	1.30217
-53	79	1.87064
-52	79	2.28104
-51	79	2.52702
-50	79	2.62989
-49	79	2.54435
-48	79	2.35233
-47	79	2.03751
-46	79	1.68055
-45	79	1.32248
-44	79	1.03934
-43	79	0.909348
-42	79	0.955288
-41	79	1.22774
-40	79	1.65562
-39	79	2.17176
-38	79	2.7063
-37	79	3.20216
-36	79	3.63119
-35	79	4.01218
-34	79	4.15214
-33	79	4.49764
-32	79	4.60153
-31	79	4.63229
-30	79	4.62232
-29	79	4.51739
-28	79	4.36078
-27	79	4.17038
-26	79	3.91725
-25	79	3.64552
-24	79	3.36359
-23	79	3.07523
-22	79	2.87943
-21	79	2.68446
-20	79	2.46809
-19	79	2.35313
-18	79	2.29735
-17	79	2.33104
-16	79	2.29381
-15	79	2.3647
-14	79	2.46572
-13	79	2.60337
-12	79	2.76869
-11	79	2.9156

-10	79	3.06274
-9	79	3.16595
-8	79	3.3064
-7	79	3.45536
-6	79	3.59198
-5	79	3.69267
-4	79	3.79766
-3	79	3.922
-2	79	4.0226
-1	79	4.08557
0	79	4.09074
1	79	4.07928
2	79	4.07762
3	79	4.09576
4	79	4.09487
5	79	4.11289
6	79	4.1253
7	79	4.12179
8	79	4.02922
9	79	4.01771
10	79	3.98971
11	79	3.92991
12	79	3.89005
13	79	3.81828
14	79	3.7522
15	79	3.73905
16	79	3.60468
17	79	3.56538
18	79	3.45315
19	79	3.36228
20	79	3.29227
21	79	3.21989
22	79	3.17877
23	79	3.12616
24	79	3.07309
25	79	3.07336
26	79	3.07874
27	79	3.07822
28	79	3.09126
29	79	3.14966
30	79	3.18756
31	79	3.27439
32	79	3.35915
33	79	3.44639
34	79	3.54298
35	79	3.62478
36	79	3.69381
37	79	3.73142
38	79	3.76688
39	79	3.66619
40	79	3.53945
41	79	3.39544
42	79	3.17146
43	79	2.86278
44	79	2.47331
45	79	1.99653
46	79	1.44696
47	79	0.846993
48	79	0.257347
49	79	-0.309049
50	79	-0.737083
51	79	-0.723864
52	79	-0.583195
53	79	-0.233079
54	79	0.297159
55	79	0.827182
56	79	1.25412
57	79	1.55424
58	79	1.66294
59	79	1.5661
60	79	1.25788
61	79	0.688479
62	79	-0.168785
63	79	-1.32862
64	79	-2.7972
65	79	-4.42868
66	79	-5.75321
67	79	-5.88365
68	79	-4.71339
69	79	-3.13683
70	79	-1.71264
71	79	-0.614877
72	79	0.0723421
73	79	0.473642
74	79	0.570876
75	79	0.124015
76	79	-0.757271
77	79	-2.04812
78	79	-4.03725
79	79	-7.27207
80	79	-12.4308
81	79	-16.7221
82	79	-11.069
83	79	-6.52352
84	79	-3.67009

85	79	-1.94007
86	79	-0.942578
87	79	-0.42448
88	79	-0.37535
89	79	-0.754977
90	79	-1.86443
91	79	-3.54589
92	79	-6.00641
93	79	-10.0559
94	79	-15.4877
95	79	-12.7225
96	79	-7.93555
97	79	-4.84026
98	79	-2.82191
99	79	-1.51885
100	79	-0.764901
101	79	-0.468088
102	79	-0.562099
103	79	-1.05925
104	79	-1.86608
105	79	-3.05091
106	79	-4.38662
107	79	-5.36926
108	79	-5.70174
109	79	-4.69929
110	79	-3.28829
111	79	-1.93777
112	79	-0.803031
113	79	-0.222431
114	79	0.192581
115	79	0.403619
116	79	0.310436
117	79	-0.00640614
118	79	-0.515311
119	79	-1.05876
120	79	-1.53771
121	79	-1.76785
122	79	-1.59503
123	79	-1.06602
124	79	-0.308329
125	79	0.48302
126	79	1.20379
127	79	1.77361
128	79	2.16232
129	79	2.38894
130	79	2.47653
131	79	2.40522
132	79	2.21353
133	79	1.91965
134	79	1.57688
135	79	1.23463
136	79	0.973743
137	79	0.876664
138	79	0.983936
139	79	1.28317
140	79	1.71002
141	79	2.22062
142	79	2.74239
143	79	3.20823
144	79	3.61939
145	79	3.98526
146	79	4.10217
147	79	4.43654
148	79	4.51471
149	79	4.536
150	79	4.49744
151	79	4.37933
152	79	4.22242
153	79	4.01992
154	79	3.75032
155	79	3.47658
156	79	3.19759
157	79	2.9449
158	79	2.75084
159	79	2.57556
160	79	2.35912
161	79	2.25547
162	79	2.22039
163	79	2.29309
164	79	2.26826
165	79	2.37341
166	79	2.4953
167	79	2.66264
168	79	2.84421
169	79	2.97756
170	79	3.10722
171	79	3.2248
172	79	3.36583
173	79	3.50589
174	79	3.64062
175	79	3.74963
176	79	3.84816
177	79	3.94103
178	79	4.05825
179	79	4.16007

180	79	4.18146
-180	80	4.25965
-179	80	4.23606
-178	80	4.23108
-177	80	4.25261
-176	80	4.26108
-175	80	4.26403
-174	80	4.20632
-173	80	4.19474
-172	80	4.19546
-171	80	4.19733
-170	80	4.14244
-169	80	4.10724
-168	80	4.07106
-167	80	4.00927
-166	80	3.83814
-165	80	3.9074
-164	80	3.75742
-163	80	3.71163
-162	80	3.58998
-161	80	3.48449
-160	80	3.40731
-159	80	3.30859
-158	80	3.23405
-157	80	3.17365
-156	80	3.12292
-155	80	3.00194
-154	80	3.00551
-153	80	2.97729
-152	80	2.95814
-151	80	2.95826
-150	80	2.98252
-149	80	3.01811
-148	80	3.08914
-147	80	3.18509
-146	80	3.29861
-145	80	3.4136
-144	80	3.53579
-143	80	3.6448
-142	80	3.72402
-141	80	3.72478
-140	80	3.61892
-139	80	3.56446
-138	80	3.38644
-137	80	3.1324
-136	80	2.81926
-135	80	2.31768
-134	80	1.76319
-133	80	1.25007
-132	80	0.537968
-131	80	-0.0541722
-130	80	-0.528207
-129	80	-0.778251
-128	80	-0.783708
-127	80	-0.481461
-126	80	-0.0197261
-125	80	0.458349
-124	80	0.900287
-123	80	1.27215
-122	80	1.42977
-121	80	1.39697
-120	80	1.11076
-119	80	0.567137
-118	80	-0.248949
-117	80	-1.38425
-116	80	-2.82422
-115	80	-4.42875
-114	80	-5.77678
-113	80	-5.99303
-112	80	-4.89559
-111	80	-3.34219
-110	80	-1.85281
-109	80	-0.668576
-108	80	0.0328783
-107	80	0.241893
-106	80	0.195198
-105	80	-0.166839
-104	80	-0.888465
-103	80	-2.37698
-102	80	-4.45767
-101	80	-7.66954
-100	80	-12.6807
-99	80	-15.1514
-98	80	-10.393
-97	80	-6.30842
-96	80	-3.5625
-95	80	-1.94664
-94	80	-1.05835
-93	80	-0.587888
-92	80	-0.590602
-91	80	-1.07699
-90	80	-2.26351
-89	80	-3.90335
-88	80	-6.64006
-87	80	-11.0853

-86	80	-17.0642
-85	80	-12.6732
-84	80	-7.70821
-83	80	-4.6114
-82	80	-2.60387
-81	80	-1.34857
-80	80	-0.635221
-79	80	-0.380908
-78	80	-0.506701
-77	80	-1.03463
-76	80	-1.95978
-75	80	-3.22048
-74	80	-4.66528
-73	80	-5.82064
-72	80	-6.07855
-71	80	-4.91294
-70	80	-3.58212
-69	80	-2.16922
-68	80	-0.930095
-67	80	-0.221224
-66	80	0.229857
-65	80	0.374308
-64	80	0.268365
-63	80	-0.085927
-62	80	-0.610182
-61	80	-1.17867
-60	80	-1.6644
-59	80	-1.83522
-58	80	-1.59805
-57	80	-1.00236
-56	80	-0.214207
-55	80	0.604865
-54	80	1.31399
-53	80	1.86516
-52	80	2.28017
-51	80	2.51252
-50	80	2.60802
-49	80	2.51861
-48	80	2.26258
-47	80	1.96725
-46	80	1.56246
-45	80	1.16659
-44	80	0.88867
-43	80	0.763707
-42	80	0.849296
-41	80	1.13218
-40	80	1.59705
-39	80	2.12117
-38	80	2.64851
-37	80	3.13998
-36	80	3.5529
-35	80	3.90449
-34	80	4.20792
-33	80	4.36166
-32	80	4.38166
-31	80	4.48149
-30	80	4.43668
-29	80	4.30726
-28	80	4.13529
-27	80	3.93304
-26	80	3.6584
-25	80	3.37003
-24	80	3.07937
-23	80	2.77099
-22	80	2.6268
-21	80	2.47745
-20	80	2.24358
-19	80	2.20589
-18	80	2.16971
-17	80	2.24572
-16	80	2.23223
-15	80	2.32145
-14	80	2.44167
-13	80	2.61075
-12	80	2.78863
-11	80	2.95989
-10	80	3.09949
-9	80	3.20614
-8	80	3.35754
-7	80	3.51714
-6	80	3.64382
-5	80	3.75676
-4	80	3.86231
-3	80	3.97986
-2	80	4.0992
-1	80	4.16245
0	80	4.18123
1	80	4.17322
2	80	4.18545
3	80	4.21145
4	80	4.21022
5	80	4.2071
6	80	4.16023
7	80	4.17648
8	80	4.17276

9	80	4.17558
10	80	4.12599
11	80	4.08809
12	80	4.04254
13	80	3.97429
14	80	3.83533
15	80	3.89692
16	80	3.76815
17	80	3.70903
18	80	3.59958
19	80	3.47233
20	80	3.37778
21	80	3.27801
22	80	3.1909
23	80	3.101
24	80	3.05996
25	80	3.00334
26	80	2.95305
27	80	2.92515
28	80	2.92028
29	80	2.94913
30	80	2.96915
31	80	3.04227
32	80	3.11604
33	80	3.2227
34	80	3.33311
35	80	3.45376
36	80	3.58615
37	80	3.68126
38	80	3.75625
39	80	3.77796
40	80	3.65132
41	80	3.61308
42	80	3.43196
43	80	3.17253
44	80	2.8559
45	80	2.33224
46	80	1.79074
47	80	1.28448
48	80	0.601141
49	80	0.056709
50	80	-0.41443
51	80	-0.654869
52	80	-0.633869
53	80	-0.362263
54	80	0.112481
55	80	0.569287
56	80	1.0157
57	80	1.39583
58	80	1.55125
59	80	1.52276
60	80	1.25161
61	80	0.740916
62	80	-0.0460033
63	80	-1.15275
64	80	-2.56514
65	80	-4.2372
66	80	-5.66063
67	80	-6.08109
68	80	-5.08729
69	80	-3.55824
70	80	-2.07328
71	80	-0.817167
72	80	-0.04805
73	80	0.247458
74	80	0.252892
75	80	-0.00681817
76	80	-0.674029
77	80	-2.06245
78	80	-3.96111
79	80	-6.96319
80	80	-11.9099
81	80	-16.3738
82	80	-11.3491
83	80	-6.74337
84	80	-3.89052
85	80	-2.17327
86	80	-1.15962
87	80	-0.5992
88	80	-0.53659
89	80	-0.932459
90	80	-2.06149
91	80	-3.66771
92	80	-6.20183
93	80	-10.3109
94	80	-15.3871
95	80	-12.6235
96	80	-7.88359
97	80	-4.7513
98	80	-2.68752
99	80	-1.42337
100	80	-0.685986
101	80	-0.387538
102	80	-0.447759
103	80	-0.946101

104	80	-1.80202
105	80	-2.99369
106	80	-4.35761
107	80	-5.46211
108	80	-5.73596
109	80	-4.57086
110	80	-3.34648
111	80	-2.04881
112	80	-0.926423
113	80	-0.297546
114	80	0.125013
115	80	0.296579
116	80	0.191213
117	80	-0.168082
118	80	-0.698948
119	80	-1.2472
120	80	-1.6656
121	80	-1.80307
122	80	-1.54907
123	80	-0.974699
124	80	-0.218697
125	80	0.534536
126	80	1.25685
127	80	1.75253
128	80	2.20858
129	80	2.41942
130	80	2.47289
131	80	2.38383
132	80	2.16745
133	80	1.85223
134	80	1.48838
135	80	1.13069
136	80	0.869499
137	80	0.780962
138	80	0.903693
139	80	1.2204
140	80	1.65676
141	80	2.19179
142	80	2.70608
143	80	3.1584
144	80	3.55283
145	80	3.88939
146	80	4.17395
147	80	4.32635
148	80	4.34266
149	80	4.40155
150	80	4.34294
151	80	4.21085
152	80	4.03842
153	80	3.83286
154	80	3.55841
155	80	3.2849
156	80	2.98288
157	80	2.70121
158	80	2.55223
159	80	2.45432
160	80	2.22492
161	80	2.19526
162	80	2.17173
163	80	2.27617
164	80	2.27432
165	80	2.37482
166	80	2.50176
167	80	2.69913
168	80	2.88609
169	80	3.04356
170	80	3.17811
171	80	3.27892
172	80	3.43067
173	80	3.56966
174	80	3.70516
175	80	3.82441
176	80	3.91833
177	80	4.01172
178	80	4.12332
179	80	4.22399
180	80	4.25965
-180	81	4.27071
-179	81	4.2681
-178	81	4.284
-177	81	4.31108
-176	81	4.31494
-175	81	4.32544
-174	81	4.28464
-173	81	4.26546
-172	81	4.21693
-171	81	4.23026
-170	81	4.20961
-169	81	4.2175
-168	81	4.12104
-167	81	4.06191
-166	81	4.06672
-165	81	4.00874
-164	81	3.87125
-163	81	3.78399

-162	81	3.6796
-161	81	3.58858
-160	81	3.49967
-159	81	3.38156
-158	81	3.28116
-157	81	3.17518
-156	81	3.08252
-155	81	3.00875
-154	81	2.91005
-153	81	2.82679
-152	81	2.76784
-151	81	2.72937
-150	81	2.7321
-149	81	2.74232
-148	81	2.80024
-147	81	2.8943
-146	81	3.01236
-145	81	3.15296
-144	81	3.31508
-143	81	3.45212
-142	81	3.57661
-141	81	3.66616
-140	81	3.60836
-139	81	3.57682
-138	81	3.48331
-137	81	3.22112
-136	81	2.92581
-135	81	2.62425
-134	81	2.1324
-133	81	1.56426
-132	81	0.955921
-131	81	0.356211
-130	81	-0.155448
-129	81	-0.471654
-128	81	-0.521694
-127	81	-0.338894
-126	81	0.0136868
-125	81	0.436855
-124	81	0.921691
-123	81	1.26634
-122	81	1.39504
-121	81	1.38892
-120	81	1.16431
-119	81	0.678358
-118	81	-0.118725
-117	81	-1.21047
-116	81	-2.65475
-115	81	-4.33491
-114	81	-5.90563
-113	81	-6.41382
-112	81	-5.48251
-111	81	-3.78357
-110	81	-2.25296
-109	81	-1.10236
-108	81	-0.334622
-107	81	0.104117
-106	81	0.139654
-105	81	-0.247191
-104	81	-0.934068
-103	81	-2.36294
-102	81	-4.38286
-101	81	-7.47302
-100	81	-12.2745
-99	81	-15.3719
-98	81	-10.6934
-97	81	-6.37609
-96	81	-3.87044
-95	81	-2.20026
-94	81	-1.18351
-93	81	-0.730964
-92	81	-0.777469
-91	81	-1.2647
-90	81	-2.33445
-89	81	-3.94351
-88	81	-6.77783
-87	81	-11.1316
-86	81	-16.5702
-85	81	-12.0113
-84	81	-7.54372
-83	81	-4.54813
-82	81	-2.57323
-81	81	-1.33216
-80	81	-0.621642
-79	81	-0.365893
-78	81	-0.543223
-77	81	-1.08093
-76	81	-2.00913
-75	81	-3.32968
-74	81	-4.85267
-73	81	-6.11577
-72	81	-6.40899
-71	81	-5.32343
-70	81	-3.59909
-69	81	-2.16304
-68	81	-1.01284

-67	81	-0.236325
-66	81	0.163419
-65	81	0.35834
-64	81	0.263849
-63	81	-0.0634019
-62	81	-0.577419
-61	81	-1.16448
-60	81	-1.66168
-59	81	-1.83533
-58	81	-1.55204
-57	81	-0.8973
-56	81	-0.0920105
-55	81	0.713899
-54	81	1.38487
-53	81	1.89026
-52	81	2.25497
-51	81	2.45206
-50	81	2.51807
-49	81	2.40253
-48	81	2.14539
-47	81	1.78727
-46	81	1.35074
-45	81	0.963707
-44	81	0.678108
-43	81	0.565604
-42	81	0.68115
-41	81	1.02314
-40	81	1.52705
-39	81	2.08795
-38	81	2.62217
-37	81	3.10198
-36	81	3.50465
-35	81	3.85005
-34	81	4.14262
-33	81	4.33626
-32	81	4.40029
-31	81	4.33946
-30	81	4.25453
-29	81	4.15729
-28	81	3.95773
-27	81	3.75902
-26	81	3.4616
-25	81	3.1697
-24	81	2.84125
-23	81	2.59704
-22	81	2.44264
-21	81	2.28999
-20	81	2.09329
-19	81	2.05011
-18	81	2.06803
-17	81	2.18546
-16	81	2.21305
-15	81	2.30126
-14	81	2.43664
-13	81	2.63935
-12	81	2.80217
-11	81	2.9856
-10	81	3.14425
-9	81	3.24806
-8	81	3.40222
-7	81	3.55308
-6	81	3.68108
-5	81	3.79808
-4	81	3.90074
-3	81	4.01025
-2	81	4.1329
-1	81	4.18572
0	81	4.20797
1	81	4.21746
2	81	4.24817
3	81	4.27834
4	81	4.2813
5	81	4.28724
6	81	4.25813
7	81	4.27464
8	81	4.21552
9	81	4.23225
10	81	4.21021
11	81	4.23169
12	81	4.11437
13	81	4.07192
14	81	4.08723
15	81	4.03662
16	81	3.93098
17	81	3.83209
18	81	3.73461
19	81	3.62573
20	81	3.51947
21	81	3.4024
22	81	3.27533
23	81	3.16291
24	81	3.07582
25	81	2.94994
26	81	2.8821
27	81	2.79474

28	81	2.72583
29	81	2.69904
30	81	2.69408
31	81	2.73789
32	81	2.82032
33	81	2.90392
34	81	3.02976
35	81	3.18733
36	81	3.34053
37	81	3.47973
38	81	3.59878
39	81	3.67549
40	81	3.66091
41	81	3.63118
42	81	3.52539
43	81	3.26724
44	81	2.9675
45	81	2.65867
46	81	2.15808
47	81	1.58828
48	81	0.998099
49	81	0.412246
50	81	-0.0993626
51	81	-0.409664
52	81	-0.463224
53	81	-0.263955
54	81	0.0717773
55	81	0.513165
56	81	0.998201
57	81	1.33681
58	81	1.47954
59	81	1.49787
60	81	1.31101
61	81	0.840013
62	81	0.0884683
63	81	-0.969101
64	81	-2.36085
65	81	-4.04757
66	81	-5.67986
67	81	-6.38705
68	81	-5.60772
69	81	-3.97992
70	81	-2.4272
71	81	-1.24338
72	81	-0.42136
73	81	0.0885828
74	81	0.194682
75	81	-0.12359
76	81	-0.737042
77	81	-2.09823
78	81	-3.98142
79	81	-6.82285
80	81	-11.3361
81	81	-15.9221
82	81	-11.5596
83	81	-6.93842
84	81	-4.11474
85	81	-2.37705
86	81	-1.26224
87	81	-0.718474
88	81	-0.699121
89	81	-1.11985
90	81	-2.14698
91	81	-3.64415
92	81	-6.29567
93	81	-10.1834
94	81	-14.9909
95	81	-11.9647
96	81	-7.65615
97	81	-4.67112
98	81	-2.66705
99	81	-1.39503
100	81	-0.649553
101	81	-0.317373
102	81	-0.451312
103	81	-0.941153
104	81	-1.81777
105	81	-3.02766
106	81	-4.47661
107	81	-5.6596
108	81	-5.89025
109	81	-4.93061
110	81	-3.42013
111	81	-2.11267
112	81	-1.07591
113	81	-0.379161
114	81	0.0431496
115	81	0.217509
116	81	0.102434
117	81	-0.238159
118	81	-0.744321
119	81	-1.28981
120	81	-1.69356
121	81	-1.78758
122	81	-1.4764

123	81	-0.848345
124	81	-0.0682937
125	81	0.712083
126	81	1.36707
127	81	1.8768
128	81	2.228
129	81	2.41375
130	81	2.42995
131	81	2.31244
132	81	2.0703
133	81	1.72658
134	81	1.33318
135	81	0.954832
136	81	0.692407
137	81	0.617971
138	81	0.770529
139	81	1.11346
140	81	1.5881
141	81	2.13201
142	81	2.64565
143	81	3.10229
144	81	3.50213
145	81	3.84121
146	81	4.10564
147	81	4.29094
148	81	4.35134
149	81	4.27327
150	81	4.18129
151	81	4.07012
152	81	3.88759
153	81	3.6778
154	81	3.38853
155	81	3.11088
156	81	2.76751
157	81	2.5412
158	81	2.39994
159	81	2.29401
160	81	2.09697
161	81	2.05517
162	81	2.08668
163	81	2.21481
164	81	2.24525
165	81	2.35598
166	81	2.49608
167	81	2.70495
168	81	2.87339
169	81	3.04677
170	81	3.19254
171	81	3.29795
172	81	3.45542
173	81	3.60978
174	81	3.74521
175	81	3.8496
176	81	3.94022
177	81	4.03992
178	81	4.1424
179	81	4.23399
180	81	4.27071
-180	82	4.27115
-179	82	4.30419
-178	82	4.33102
-177	82	4.35436
-176	82	4.35625
-175	82	4.35937
-174	82	4.33675
-173	82	4.31613
-172	82	4.28414
-171	82	4.23641
-170	82	4.20587
-169	82	4.27368
-168	82	4.21025
-167	82	4.2032
-166	82	4.13381
-165	82	4.11744
-164	82	3.99832
-163	82	3.88018
-162	82	3.80796
-161	82	3.70078
-160	82	3.58142
-159	82	3.488
-158	82	3.3698
-157	82	3.23228
-156	82	3.0932
-155	82	2.97607
-154	82	2.84976
-153	82	2.7413
-152	82	2.63537
-151	82	2.55556
-150	82	2.5052
-149	82	2.50079
-148	82	2.5441
-147	82	2.60759
-146	82	2.7346
-145	82	2.86873
-144	82	3.02996

-143	82	3.18135
-142	82	3.32536
-141	82	3.44392
-140	82	3.45844
-139	82	3.41265
-138	82	3.37622
-137	82	3.2193
-136	82	2.99502
-135	82	2.63369
-134	82	2.2187
-133	82	1.7116
-132	82	1.14715
-131	82	0.571731
-130	82	0.0818048
-129	82	-0.242715
-128	82	-0.329601
-127	82	-0.179844
-126	82	0.160595
-125	82	0.603091
-124	82	1.00538
-123	82	1.30307
-122	82	1.52503
-121	82	1.59981
-120	82	1.34825
-119	82	0.863572
-118	82	0.177608
-117	82	-0.863956
-116	82	-2.24121
-115	82	-3.95622
-114	82	-5.82377
-113	82	-6.76564
-112	82	-5.86802
-111	82	-4.30412
-110	82	-2.79031
-109	82	-1.47801
-108	82	-0.577243
-107	82	-0.119163
-106	82	-0.0134441
-105	82	-0.312298
-104	82	-0.973442
-103	82	-2.24895
-102	82	-4.17737
-101	82	-7.11586
-100	82	-11.7257
-99	82	-15.6531
-98	82	-11.2349
-97	82	-6.81873
-96	82	-4.09609
-95	82	-2.46728
-94	82	-1.34929
-93	82	-0.854098
-92	82	-0.872373
-91	82	-1.3179
-90	82	-2.43254
-89	82	-3.90002
-88	82	-6.65362
-87	82	-10.7014
-86	82	-15.2766
-85	82	-12.3612
-84	82	-7.46601
-83	82	-4.6655
-82	82	-2.67971
-81	82	-1.44801
-80	82	-0.718486
-79	82	-0.471042
-78	82	-0.618015
-77	82	-1.17926
-76	82	-2.16104
-75	82	-3.49048
-74	82	-5.0489
-73	82	-6.47908
-72	82	-6.6417
-71	82	-5.40239
-70	82	-3.69044
-69	82	-2.20403
-68	82	-1.13985
-67	82	-0.158565
-66	82	0.225143
-65	82	0.373225
-64	82	0.282876
-63	82	-0.060472
-62	82	-0.568953
-61	82	-1.13967
-60	82	-1.60372
-59	82	-1.76193
-58	82	-1.51819
-57	82	-0.903864
-56	82	-0.117479
-55	82	0.676318
-54	82	1.35908
-53	82	1.8638
-52	82	2.21816
-51	82	2.40061
-50	82	2.42092
-49	82	2.27715

-48	82	1.99147
-47	82	1.60757
-46	82	1.18085
-45	82	0.777716
-44	82	0.499453
-43	82	0.413437
-42	82	0.537174
-41	82	0.885877
-40	82	1.40822
-39	82	2.00802
-38	82	2.57233
-37	82	3.05119
-36	82	3.48327
-35	82	3.83441
-34	82	4.13271
-33	82	4.29134
-32	82	4.31789
-31	82	4.3163
-30	82	4.1833
-29	82	4.10607
-28	82	3.8142
-27	82	3.62779
-26	82	3.3262
-25	82	3.04102
-24	82	2.65859
-23	82	2.47372
-22	82	2.38749
-21	82	2.12373
-20	82	2.03223
-19	82	1.97242
-18	82	2.02302
-17	82	2.17212
-16	82	2.20265
-15	82	2.3326
-14	82	2.49102
-13	82	2.67602
-12	82	2.86524
-11	82	3.04946
-10	82	3.21487
-9	82	3.32754
-8	82	3.48351
-7	82	3.63808
-6	82	3.75419
-5	82	3.82974
-4	82	3.93865
-3	82	4.0392
-2	82	4.17144
-1	82	4.19558
0	82	4.23091
1	82	4.2605
2	82	4.29412
3	82	4.31508
4	82	4.32249
5	82	4.32092
6	82	4.30598
7	82	4.30011
8	82	4.27539
9	82	4.2437
10	82	4.20691
11	82	4.28461
12	82	4.22862
13	82	4.21061
14	82	4.16524
15	82	4.14607
16	82	4.04528
17	82	3.94535
18	82	3.88659
19	82	3.76691
20	82	3.6506
21	82	3.51849
22	82	3.40933
23	82	3.28198
24	82	3.13182
25	82	2.9698
26	82	2.88447
27	82	2.75846
28	82	2.64475
29	82	2.54826
30	82	2.49358
31	82	2.4917
32	82	2.52969
33	82	2.60809
34	82	2.74374
35	82	2.87086
36	82	3.03547
37	82	3.18764
38	82	3.34738
39	82	3.46759
40	82	3.49626
41	82	3.46044
42	82	3.42994
43	82	3.26185
44	82	3.04874
45	82	2.68592
46	82	2.25926

47	82	1.74291
48	82	1.18232
49	82	0.615687
50	82	0.140022
51	82	-0.219542
52	82	-0.323435
53	82	-0.188574
54	82	0.128351
55	82	0.605592
56	82	0.987244
57	82	1.30823
58	82	1.54674
59	82	1.65443
60	82	1.44401
61	82	0.988376
62	82	0.35344
63	82	-0.630675
64	82	-1.96869
65	82	-3.59925
66	82	-5.46363
67	82	-6.55761
68	82	-5.91564
69	82	-4.43587
70	82	-2.93965
71	82	-1.61535
72	82	-0.671232
73	82	-0.149267
74	82	0.00867585
75	82	-0.242636
76	82	-0.847368
77	82	-2.04055
78	82	-3.86546
79	82	-6.72009
80	82	-10.9972
81	82	-15.6385
82	82	-11.7878
83	82	-7.09799
84	82	-4.22994
85	82	-2.4882
86	82	-1.3392
87	82	-0.76869
88	82	-0.715043
89	82	-1.10792
90	82	-2.19315
91	82	-3.56486
92	82	-6.11776
93	82	-9.73983
94	82	-13.8751
95	82	-12.1517
96	82	-7.62858
97	82	-4.84361
98	82	-2.80776
99	82	-1.47581
100	82	-0.730795
101	82	-0.441922
102	82	-0.583397
103	82	-1.10032
104	82	-1.96894
105	82	-3.24094
106	82	-4.71367
107	82	-5.96112
108	82	-6.1131
109	82	-5.10331
110	82	-3.59783
111	82	-2.23599
112	82	-1.27459
113	82	-0.301776
114	82	0.0785116
115	82	0.197155
116	82	0.08084
117	82	-0.253319
118	82	-0.741477
119	82	-1.26759
120	82	-1.6311
121	82	-1.69535
122	82	-1.38879
123	82	-0.782886
124	82	-0.0225224
125	82	0.745352
126	82	1.39426
127	82	1.89258
128	82	2.24064
129	82	2.39613
130	82	2.35856
131	82	2.22133
132	82	1.94986
133	82	1.56946
134	82	1.16327
135	82	0.794473
136	82	0.523888
137	82	0.453119
138	82	0.617732
139	82	0.974608
140	82	1.46235
141	82	2.04448

142	82	2.58756
143	82	3.04421
144	82	3.45752
145	82	3.80829
146	82	4.09128
147	82	4.24394
148	82	4.27053
149	82	4.25961
150	82	4.12012
151	82	4.02638
152	82	3.73457
153	82	3.55314
154	82	3.27179
155	82	2.97352
156	82	2.61369
157	82	2.43823
158	82	2.34192
159	82	2.11993
160	82	2.01515
161	82	1.96765
162	82	2.01242
163	82	2.16663
164	82	2.21945
165	82	2.35248
166	82	2.52549
167	82	2.70642
168	82	2.90675
169	82	3.10013
170	82	3.23135
171	82	3.35166
172	82	3.51751
173	82	3.67163
174	82	3.78922
175	82	3.89538
176	82	3.98579
177	82	4.07582
178	82	4.16712
179	82	4.24821
180	82	4.27115
-180	83	4.31132
-179	83	4.34477
-178	83	4.37346
-177	83	4.3919
-176	83	4.38864
-175	83	4.39449
-174	83	4.37269
-173	83	4.34537
-172	83	4.28563
-171	83	4.33158
-170	83	4.25013
-169	83	4.31333
-168	83	4.26551
-167	83	4.27006
-166	83	4.11695
-165	83	4.17962
-164	83	4.04279
-163	83	4.02133
-162	83	3.91575
-161	83	3.8147
-160	83	3.71902
-159	83	3.61885
-158	83	3.4819
-157	83	3.34116
-156	83	3.18326
-155	83	3.04115
-154	83	2.88825
-153	83	2.73793
-152	83	2.6311
-151	83	2.51135
-150	83	2.44084
-149	83	2.40718
-148	83	2.41478
-147	83	2.45428
-146	83	2.53735
-145	83	2.64156
-144	83	2.7932
-143	83	2.93676
-142	83	3.07318
-141	83	3.18231
-140	83	3.29005
-139	83	3.2211
-138	83	3.22644
-137	83	3.0659
-136	83	2.85198
-135	83	2.53522
-134	83	2.13415
-133	83	1.6558
-132	83	1.09232
-131	83	0.529077
-130	83	0.0516443
-129	83	-0.278392
-128	83	-0.347069
-127	83	-0.160494
-126	83	0.207821
-125	83	0.69084

-124	83	1.15532
-123	83	1.53228
-122	83	1.74485
-121	83	1.75139
-120	83	1.57293
-119	83	1.23871
-118	83	0.568951
-117	83	-0.571837
-116	83	-1.89186
-115	83	-3.49679
-114	83	-5.16601
-113	83	-6.35563
-112	83	-6.22103
-111	83	-4.84095
-110	83	-3.20499
-109	83	-1.8414
-108	83	-0.864411
-107	83	-0.288928
-106	83	-0.110539
-105	83	-0.395246
-104	83	-1.04555
-103	83	-2.16583
-102	83	-4.06966
-101	83	-6.84418
-100	83	-11.2196
-99	83	-15.627
-98	83	-11.6106
-97	83	-7.13892
-96	83	-4.26618
-95	83	-2.58555
-94	83	-1.47641
-93	83	-0.98134
-92	83	-0.918023
-91	83	-1.35772
-90	83	-2.32127
-89	83	-3.90659
-88	83	-6.2385
-87	83	-10.3545
-86	83	-14.7265
-85	83	-12.386
-84	83	-7.6544
-83	83	-4.93008
-82	83	-2.86906
-81	83	-1.61637
-80	83	-0.891107
-79	83	-0.606254
-78	83	-0.779022
-77	83	-1.28841
-76	83	-2.28434
-75	83	-3.60654
-74	83	-5.29707
-73	83	-6.69147
-72	83	-6.79457
-71	83	-5.47173
-70	83	-3.72103
-69	83	-2.15958
-68	83	-1.06703
-67	83	-0.145369
-66	83	0.169693
-65	83	0.406074
-64	83	0.289629
-63	83	-0.0734232
-62	83	-0.557204
-61	83	-1.13153
-60	83	-1.61076
-59	83	-1.79122
-58	83	-1.54848
-57	83	-0.961322
-56	83	-0.202132
-55	83	0.574609
-54	83	1.23519
-53	83	1.752
-52	83	2.10732
-51	83	2.2796
-50	83	2.30432
-49	83	2.13565
-48	83	1.80896
-47	83	1.38256
-46	83	0.905868
-45	83	0.484078
-44	83	0.222808
-43	83	0.168417
-42	83	0.361278
-41	83	0.776682
-40	83	1.31926
-39	83	1.93159
-38	83	2.52
-37	83	3.02301
-36	83	3.45433
-35	83	3.83895
-34	83	4.1699
-33	83	4.26421
-32	83	4.29184
-31	83	4.27901
-30	83	4.17563

-29	83	4.02941
-28	83	3.75425
-27	83	3.63723
-26	83	3.20202
-25	83	2.90674
-24	83	2.6378
-23	83	2.40228
-22	83	2.27008
-21	83	2.05478
-20	83	1.97711
-19	83	1.95542
-18	83	2.00452
-17	83	2.15976
-16	83	2.24773
-15	83	2.39745
-14	83	2.57255
-13	83	2.77152
-12	83	2.96106
-11	83	3.15717
-10	83	3.31242
-9	83	3.48067
-8	83	3.62093
-7	83	3.77396
-6	83	3.8814
-5	83	4.01056
-4	83	4.05165
-3	83	4.13562
-2	83	4.19219
-1	83	4.24165
0	83	4.29115
1	83	4.32402
2	83	4.35322
3	83	4.36824
4	83	4.37683
5	83	4.37602
6	83	4.36456
7	83	4.33134
8	83	4.28666
9	83	4.35365
10	83	4.26776
11	83	4.32682
12	83	4.25703
13	83	4.26951
14	83	4.15349
15	83	4.21657
16	83	4.09535
17	83	4.08348
18	83	3.99454
19	83	3.89709
20	83	3.75103
21	83	3.70545
22	83	3.56712
23	83	3.41882
24	83	3.25541
25	83	3.11638
26	83	2.96985
27	83	2.82751
28	83	2.69796
29	83	2.56834
30	83	2.48441
31	83	2.42838
32	83	2.41456
33	83	2.45439
34	83	2.5342
35	83	2.647
36	83	2.76767
37	83	2.93661
38	83	3.09767
39	83	3.21968
40	83	3.34298
41	83	3.27866
42	83	3.28795
43	83	3.14601
44	83	2.92604
45	83	2.61669
46	83	2.22045
47	83	1.73387
48	83	1.19522
49	83	0.625369
50	83	0.109378
51	83	-0.237075
52	83	-0.362062
53	83	-0.205526
54	83	0.151315
55	83	0.623238
56	83	1.08015
57	83	1.46496
58	83	1.70152
59	83	1.72995
60	83	1.57848
61	83	1.28204
62	83	0.642794
63	83	-0.422336
64	83	-1.68145
65	83	-3.16713

66	83	-4.76163
67	83	-5.94995
68	83	-6.03249
69	83	-4.79816
70	83	-3.25162
71	83	-1.89097
72	83	-0.902617
73	83	-0.304833
74	83	-0.120526
75	83	-0.3093
76	83	-0.904326
77	83	-1.9666
78	83	-3.77682
79	83	-6.46972
80	83	-10.786
81	83	-15.9023
82	83	-12.246
83	83	-7.46752
84	83	-4.34739
85	83	-2.57192
86	83	-1.3877
87	83	-0.854986
88	83	-0.73522
89	83	-1.11454
90	83	-2.05005
91	83	-3.51379
92	83	-5.66924
93	83	-9.41762
94	83	-13.3974
95	83	-12.2855
96	83	-7.90387
97	83	-5.1585
98	83	-3.01258
99	83	-1.70731
100	83	-0.924362
101	83	-0.647911
102	83	-0.767338
103	83	-1.27213
104	83	-2.16866
105	83	-3.47797
106	83	-4.98786
107	83	-6.1535
108	83	-6.29855
109	83	-5.22065
110	83	-3.64127
111	83	-2.23002
112	83	-1.19973
113	83	-0.269877
114	83	0.00622169
115	83	0.240816
116	83	0.130757
117	83	-0.21197
118	83	-0.693515
119	83	-1.20256
120	83	-1.55842
121	83	-1.64197
122	83	-1.34328
123	83	-0.758801
124	83	-0.0378769
125	83	0.69366
126	83	1.31717
127	83	1.80701
128	83	2.12601
129	83	2.27792
130	83	2.27218
131	83	2.0738
132	83	1.74101
133	83	1.3125
134	83	0.851391
135	83	0.442389
136	83	0.178715
137	83	0.1515
138	83	0.378642
139	83	0.790711
140	83	1.33932
141	83	1.95026
142	83	2.5156
143	83	2.99573
144	83	3.41098
145	83	3.78226
146	83	4.10965
147	83	4.21341
148	83	4.24772
149	83	4.21564
150	83	4.08432
151	83	3.94081
152	83	3.66453
153	83	3.546
154	83	3.13777
155	83	2.84116
156	83	2.58868
157	83	2.37851
158	83	2.2193
159	83	2.00396
160	83	1.92608

161	83	1.92589
162	83	1.95595
163	83	2.11942
164	83	2.21483
165	83	2.3737
166	83	2.559
167	83	2.76021
168	83	2.95518
169	83	3.13925
170	83	3.28491
171	83	3.43403
172	83	3.59235
173	83	3.75073
174	83	3.8699
175	83	3.9758
176	83	4.05824
177	83	4.13813
178	83	4.21677
179	83	4.27768
180	83	4.31132
-180	84	4.32997
-179	84	4.36906
-178	84	4.39418
-177	84	4.40339
-176	84	4.40051
-175	84	4.41559
-174	84	4.39479
-173	84	4.41422
-172	84	4.35162
-171	84	4.29784
-170	84	4.29889
-169	84	4.3053
-168	84	4.26809
-167	84	4.24634
-166	84	4.23198
-165	84	4.19923
-164	84	4.024
-163	84	4.08496
-162	84	4.01014
-161	84	3.91984
-160	84	3.82665
-159	84	3.73976
-158	84	3.59041
-157	84	3.44368
-156	84	3.30858
-155	84	3.1342
-154	84	2.97938
-153	84	2.83512
-152	84	2.69171
-151	84	2.5901
-150	84	2.49068
-149	84	2.42966
-148	84	2.40531
-147	84	2.42202
-146	84	2.48264
-145	84	2.55081
-144	84	2.65887
-143	84	2.80884
-142	84	2.99603
-141	84	3.01005
-140	84	3.06097
-139	84	3.12225
-138	84	3.07229
-137	84	2.94648
-136	84	2.75673
-135	84	2.43368
-134	84	2.04409
-133	84	1.53919
-132	84	0.978766
-131	84	0.358155
-130	84	-0.169256
-129	84	-0.509251
-128	84	-0.60793
-127	84	-0.415409
-126	84	-0.00533493
-125	84	0.513667
-124	84	1.02485
-123	84	1.44187
-122	84	1.72347
-121	84	1.8368
-120	84	1.70032
-119	84	1.35016
-118	84	0.78683
-117	84	-0.10377
-116	84	-1.21579
-115	84	-2.78445
-114	84	-4.64772
-113	84	-5.99051
-112	84	-6.19923
-111	84	-5.0261
-110	84	-3.44965
-109	84	-2.05775
-108	84	-1.05774
-107	84	-0.449559
-106	84	-0.229295

-105	84	-0.385989
-104	84	-1.06128
-103	84	-2.10815
-102	84	-3.93667
-101	84	-6.59208
-100	84	-10.7261
-99	84	-15.4895
-98	84	-11.9353
-97	84	-7.48364
-96	84	-4.57267
-95	84	-2.65568
-94	84	-1.56962
-93	84	-1.00918
-92	84	-0.930804
-91	84	-1.27765
-90	84	-2.22065
-89	84	-3.89395
-88	84	-6.01212
-87	84	-9.96074
-86	84	-14.2102
-85	84	-12.6533
-84	84	-8.22941
-83	84	-5.0427
-82	84	-3.10298
-81	84	-1.82645
-80	84	-1.08368
-79	84	-0.766791
-78	84	-0.904635
-77	84	-1.33666
-76	84	-2.34467
-75	84	-3.74256
-74	84	-5.40329
-73	84	-6.77526
-72	84	-6.80995
-71	84	-5.44004
-70	84	-3.67728
-69	84	-2.1007
-68	84	-1.08718
-67	84	-0.163943
-66	84	0.298104
-65	84	0.373587
-64	84	0.245535
-63	84	-0.079689
-62	84	-0.580512
-61	84	-1.16663
-60	84	-1.67502
-59	84	-1.90399
-58	84	-1.70602
-57	84	-1.14973
-56	84	-0.391428
-55	84	0.385233
-54	84	1.06635
-53	84	1.59503
-52	84	1.93744
-51	84	2.12142
-50	84	2.11463
-49	84	1.9312
-48	84	1.61349
-47	84	1.18986
-46	84	0.714315
-45	84	0.290906
-44	84	0.0257151
-43	84	-0.00288777
-42	84	0.230939
-41	84	0.69302
-40	84	1.3078
-39	84	1.93624
-38	84	2.5173
-37	84	3.01753
-36	84	3.43891
-35	84	3.81652
-34	84	4.07495
-33	84	4.22874
-32	84	4.27666
-31	84	4.24505
-30	84	4.14974
-29	84	3.9791
-28	84	3.74534
-27	84	3.46518
-26	84	3.22761
-25	84	2.88687
-24	84	2.58868
-23	84	2.38657
-22	84	2.22019
-21	84	2.03705
-20	84	1.97409
-19	84	2.04444
-18	84	2.0276
-17	84	2.17523
-16	84	2.30338
-15	84	2.47225
-14	84	2.65373
-13	84	2.87712
-12	84	3.07873
-11	84	3.28297

-10	84	3.44417
-9	84	3.6149
-8	84	3.7749
-7	84	3.9237
-6	84	4.01933
-5	84	4.10167
-4	84	4.17589
-3	84	4.22969
-2	84	4.26133
-1	84	4.31731
0	84	4.3641
1	84	4.40515
2	84	4.42206
3	84	4.43237
4	84	4.43934
5	84	4.43561
6	84	4.42532
7	84	4.42644
8	84	4.39103
9	84	4.3374
10	84	4.34713
11	84	4.33172
12	84	4.31128
13	84	4.2957
14	84	4.26972
15	84	4.24955
16	84	4.09309
17	84	4.15355
18	84	4.08238
19	84	4.01646
20	84	3.90394
21	84	3.8231
22	84	3.69584
23	84	3.56275
24	84	3.40442
25	84	3.25508
26	84	3.10322
27	84	2.94946
28	84	2.80407
29	84	2.68661
30	84	2.56925
31	84	2.49228
32	84	2.44364
33	84	2.43019
34	84	2.466
35	84	2.56349
36	84	2.66794
37	84	2.81102
38	84	2.99299
39	84	3.04344
40	84	3.1078
41	84	3.18076
42	84	3.13697
43	84	3.03729
44	84	2.85107
45	84	2.56856
46	84	2.198
47	84	1.69805
48	84	1.14047
49	84	0.538676
50	84	0.00943067
51	84	-0.319409
52	84	-0.549034
53	84	-0.402945
54	84	-0.052712
55	84	0.418381
56	84	0.917026
57	84	1.3267
58	84	1.61896
59	84	1.73954
60	84	1.61543
61	84	1.30299
62	84	0.789966
63	84	-0.044561
64	84	-1.12231
65	84	-2.61712
66	84	-4.37825
67	84	-5.66116
68	84	-5.87337
69	84	-4.82288
70	84	-3.32521
71	84	-1.98313
72	84	-0.996962
73	84	-0.375526
74	84	-0.135691
75	84	-0.288657
76	84	-0.859787
77	84	-1.86436
78	84	-3.61063
79	84	-6.15217
80	84	-10.2333
81	84	-15.8931
82	84	-12.97
83	84	-7.99619
84	84	-4.80079

85	84	-2.75394
86	84	-1.53831
87	84	-0.905694
88	84	-0.775996
89	84	-1.08861
90	84	-1.93374
91	84	-3.5263
92	84	-5.51476
93	84	-9.22519
94	84	-13.1871
95	84	-12.6044
96	84	-8.52749
97	84	-5.2785
98	84	-3.25387
99	84	-1.91072
100	84	-1.15888
101	84	-0.83549
102	84	-0.934323
103	84	-1.42771
104	84	-2.3407
105	84	-3.6271
106	84	-5.08996
107	84	-6.2644
108	84	-6.29954
109	84	-5.15566
110	84	-3.59458
111	84	-2.13856
112	84	-1.1555
113	84	-0.31489
114	84	0.12947
115	84	0.229009
116	84	0.105657
117	84	-0.181359
118	84	-0.649876
119	84	-1.16955
120	84	-1.54568
121	84	-1.66479
122	84	-1.42711
123	84	-0.889308
124	84	-0.194455
125	84	0.534864
126	84	1.16369
127	84	1.6366
128	84	1.93531
129	84	2.06202
130	84	2.03922
131	84	1.83458
132	84	1.49457
133	84	1.06031
134	84	0.58498
135	84	0.170633
136	84	-0.098555
137	84	-0.0932583
138	84	0.188603
139	84	0.679916
140	84	1.29039
141	84	1.96408
142	84	2.49436
143	84	2.9723
144	84	3.40025
145	84	3.78716
146	84	4.04436
147	84	4.16269
148	84	4.21045
149	84	4.17849
150	84	4.05829
151	84	3.8759
152	84	3.63973
153	84	3.35919
154	84	3.14708
155	84	2.80143
156	84	2.50695
157	84	2.31055
158	84	2.12576
159	84	1.96024
160	84	1.88113
161	84	1.95379
162	84	1.94683
163	84	2.08919
164	84	2.22777
165	84	2.40858
166	84	2.58528
167	84	2.79821
168	84	2.99299
169	84	3.18675
170	84	3.33992
171	84	3.52383
172	84	3.69379
173	84	3.84436
174	84	3.9504
175	84	4.04628
176	84	4.12188
177	84	4.1938
178	84	4.24832
179	84	4.28913

180	84	4.32997
-180	85	4.3231
-179	85	4.36745
-178	85	4.3826
-177	85	4.38367
-176	85	4.3867
-175	85	4.42659
-174	85	4.44039
-173	85	4.37513
-172	85	4.39096
-171	85	4.32573
-170	85	4.3067
-169	85	4.28584
-168	85	4.2633
-167	85	4.247
-166	85	4.24114
-165	85	4.15649
-164	85	4.17255
-163	85	4.10562
-162	85	4.01885
-161	85	3.97401
-160	85	3.90694
-159	85	3.8046
-158	85	3.68484
-157	85	3.52712
-156	85	3.41686
-155	85	3.23345
-154	85	3.07136
-153	85	2.91412
-152	85	2.77417
-151	85	2.65232
-150	85	2.55408
-149	85	2.4753
-148	85	2.43767
-147	85	2.43468
-146	85	2.47904
-145	85	2.57959
-144	85	2.64392
-143	85	2.77438
-142	85	2.86034
-141	85	3.00613
-140	85	3.03405
-139	85	3.09546
-138	85	3.07807
-137	85	2.95354
-136	85	2.74959
-135	85	2.46939
-134	85	2.04946
-133	85	1.49166
-132	85	0.866125
-131	85	0.193294
-130	85	-0.424284
-129	85	-0.87927
-128	85	-1.07287
-127	85	-0.949325
-126	85	-0.515622
-125	85	0.0723847
-124	85	0.686397
-123	85	1.16598
-122	85	1.51842
-121	85	1.75363
-120	85	1.71429
-119	85	1.36083
-118	85	0.819971
-117	85	0.00588733
-116	85	-1.12029
-115	85	-2.57169
-114	85	-4.06787
-113	85	-5.4579
-112	85	-6.02551
-111	85	-4.98399
-110	85	-3.48699
-109	85	-2.19145
-108	85	-1.16339
-107	85	-0.523055
-106	85	-0.274938
-105	85	-0.40626
-104	85	-0.98304
-103	85	-2.01764
-102	85	-3.82277
-101	85	-6.33269
-100	85	-10.4046
-99	85	-15.2933
-98	85	-12.2511
-97	85	-7.7583
-96	85	-4.73133
-95	85	-2.67038
-94	85	-1.66861
-93	85	-0.999471
-92	85	-0.920988
-91	85	-1.26977
-90	85	-2.12244
-89	85	-3.65664
-88	85	-5.93506
-87	85	-9.47607

-86	85	-13.8937
-85	85	-13.1107
-84	85	-8.7497
-83	85	-5.49959
-82	85	-3.43732
-81	85	-2.05223
-80	85	-1.22947
-79	85	-0.908885
-78	85	-0.949155
-77	85	-1.47143
-76	85	-2.43446
-75	85	-3.80603
-74	85	-5.48035
-73	85	-6.7775
-72	85	-6.76651
-71	85	-5.40296
-70	85	-3.67638
-69	85	-2.11641
-68	85	-1.07848
-67	85	-0.232911
-66	85	0.238432
-65	85	0.354589
-64	85	0.223126
-63	85	-0.0861549
-62	85	-0.668522
-61	85	-1.29253
-60	85	-1.85573
-59	85	-2.15343
-58	85	-1.92672
-57	85	-1.43247
-56	85	-0.645131
-55	85	0.160276
-54	85	0.853168
-53	85	1.41792
-52	85	1.79771
-51	85	1.95517
-50	85	1.94688
-49	85	1.77262
-48	85	1.45936
-47	85	1.02458
-46	85	0.57508
-45	85	0.16593
-44	85	-0.0860237
-43	85	-0.098421
-42	85	0.160962
-41	85	0.638
-40	85	1.25857
-39	85	1.87244
-38	85	2.49345
-37	85	3.00112
-36	85	3.47342
-35	85	3.82473
-34	85	4.07536
-33	85	4.21726
-32	85	4.27564
-31	85	4.24577
-30	85	4.14805
-29	85	3.98337
-28	85	3.754
-27	85	3.48599
-26	85	3.22091
-25	85	2.89388
-24	85	2.67478
-23	85	2.49018
-22	85	2.26213
-21	85	2.10139
-20	85	2.05999
-19	85	2.03544
-18	85	2.12262
-17	85	2.23119
-16	85	2.3797
-15	85	2.57614
-14	85	2.76813
-13	85	2.97208
-12	85	3.16757
-11	85	3.35604
-10	85	3.54326
-9	85	3.72354
-8	85	3.88778
-7	85	4.01305
-6	85	4.10612
-5	85	4.19479
-4	85	4.25287
-3	85	4.2882
-2	85	4.31006
-1	85	4.34539
0	85	4.42599
1	85	4.46371
2	85	4.46734
3	85	4.46509
4	85	4.47945
5	85	4.50383
6	85	4.52294
7	85	4.4534
8	85	4.46302

9	85	4.40864
10	85	4.37252
11	85	4.34625
12	85	4.332
13	85	4.32108
14	85	4.27136
15	85	4.22267
16	85	4.25473
17	85	4.18408
18	85	4.09229
19	85	4.05906
20	85	3.99363
21	85	3.90721
22	85	3.79666
23	85	3.66129
24	85	3.52045
25	85	3.37003
26	85	3.2229
27	85	3.07009
28	85	2.92354
29	85	2.78697
30	85	2.66257
31	85	2.55102
32	85	2.50261
33	85	2.47569
34	85	2.48431
35	85	2.57826
36	85	2.64501
37	85	2.77122
38	85	2.87427
39	85	3.02233
40	85	3.05427
41	85	3.14021
42	85	3.1394
43	85	3.03379
44	85	2.84607
45	85	2.57058
46	85	2.18812
47	85	1.70125
48	85	1.12068
49	85	0.507183
50	85	-0.091497
51	85	-0.586156
52	85	-0.831898
53	85	-0.790716
54	85	-0.457808
55	85	0.0444088
56	85	0.593497
57	85	1.04319
58	85	1.39646
59	85	1.64693
60	85	1.6234
61	85	1.2877
62	85	0.802982
63	85	0.00664825
64	85	-1.10347
65	85	-2.48854
66	85	-3.92729
67	85	-5.13966
68	85	-5.79255
69	85	-4.77675
70	85	-3.35315
71	85	-2.02805
72	85	-1.01021
73	85	-0.372921
74	85	-0.121255
75	85	-0.226902
76	85	-0.765883
77	85	-1.77641
78	85	-3.40927
79	85	-5.85081
80	85	-9.77673
81	85	-15.3241
82	85	-13.4349
83	85	-8.42274
84	85	-5.05115
85	85	-2.85103
86	85	-1.7361
87	85	-0.936781
88	85	-0.784041
89	85	-1.10784
90	85	-1.93556
91	85	-3.3596
92	85	-5.55883
93	85	-8.88174
94	85	-13.2316
95	85	-13.1143
96	85	-9.00306
97	85	-5.69551
98	85	-3.54497
99	85	-2.15394
100	85	-1.32775
101	85	-0.975969
102	85	-1.06532
103	85	-1.54587

104	85	-2.40967
105	85	-3.70051
106	85	-5.12728
107	85	-6.09707
108	85	-6.20368
109	85	-5.07602
110	85	-3.53264
111	85	-2.11466
112	85	-1.16958
113	85	-0.369293
114	85	0.0924821
115	85	0.240771
116	85	0.109977
117	85	-0.170627
118	85	-0.700574
119	85	-1.26015
120	85	-1.68535
121	85	-1.87035
122	85	-1.68445
123	85	-1.16667
124	85	-0.465418
125	85	0.274591
126	85	0.914541
127	85	1.40179
128	85	1.7153
129	85	1.8525
130	85	1.83163
131	85	1.62186
132	85	1.27348
133	85	0.827832
134	85	0.369443
135	85	-0.0233376
136	85	-0.229414
137	85	-0.18487
138	85	0.124908
139	85	0.630526
140	85	1.2447
141	85	1.90395
142	85	2.51325
143	85	3.02452
144	85	3.4599
145	85	3.82692
146	85	4.05013
147	85	4.18296
148	85	4.23594
149	85	4.19057
150	85	4.06771
151	85	3.87597
152	85	3.64544
153	85	3.37451
154	85	3.11254
155	85	2.79871
156	85	2.57444
157	85	2.38596
158	85	2.15795
159	85	1.98163
160	85	1.9535
161	85	1.9349
162	85	2.02009
163	85	2.11664
164	85	2.27756
165	85	2.46261
166	85	2.65875
167	85	2.85695
168	85	3.0471
169	85	3.23331
170	85	3.42331
171	85	3.58891
172	85	3.76102
173	85	3.90227
174	85	3.99849
175	85	4.08943
176	85	4.15792
177	85	4.21472
178	85	4.24721
179	85	4.27954
180	85	4.3231
-180	86	4.2947
-179	86	4.33959
-178	86	4.35138
-177	86	4.36114
-176	86	4.34642
-175	86	4.41249
-174	86	4.40301
-173	86	4.41862
-172	86	4.39516
-171	86	4.33662
-170	86	4.29952
-169	86	4.27239
-168	86	4.25685
-167	86	4.24569
-166	86	4.20974
-165	86	4.15689
-164	86	4.15588
-163	86	4.13498

-162	86	4.11865
-161	86	4.01095
-160	86	3.94699
-159	86	3.86668
-158	86	3.73997
-157	86	3.60072
-156	86	3.46649
-155	86	3.29941
-154	86	3.14205
-153	86	2.96987
-152	86	2.82502
-151	86	2.67523
-150	86	2.55274
-149	86	2.47453
-148	86	2.40263
-147	86	2.44077
-146	86	2.35879
-145	86	2.48325
-144	86	2.55278
-143	86	2.69498
-142	86	2.86234
-141	86	3.01548
-140	86	3.09233
-139	86	3.11234
-138	86	3.17107
-137	86	3.0731
-136	86	2.89818
-135	86	2.61487
-134	86	2.21792
-133	86	1.68672
-132	86	1.05363
-131	86	0.363546
-130	86	-0.32857
-129	86	-0.901372
-128	86	-1.2393
-127	86	-1.23557
-126	86	-0.886592
-125	86	-0.316002
-124	86	0.334205
-123	86	0.890932
-122	86	1.2556
-121	86	1.41594
-120	86	1.41664
-119	86	1.21736
-118	86	0.735934
-117	86	-0.0369763
-116	86	-1.06739
-115	86	-2.45991
-114	86	-4.06322
-113	86	-5.4112
-112	86	-5.73547
-111	86	-4.85209
-110	86	-3.60901
-109	86	-2.27782
-108	86	-1.20159
-107	86	-0.609119
-106	86	-0.329098
-105	86	-0.449439
-104	86	-0.981888
-103	86	-1.97475
-102	86	-3.70394
-101	86	-6.14866
-100	86	-10.1434
-99	86	-15.2192
-98	86	-12.5883
-97	86	-7.99501
-96	86	-4.87144
-95	86	-2.8633
-94	86	-1.66107
-93	86	-0.989625
-92	86	-0.879064
-91	86	-1.2059
-90	86	-2.0228
-89	86	-3.39968
-88	86	-5.68805
-87	86	-9.15782
-86	86	-13.6031
-85	86	-13.535
-84	86	-9.12903
-83	86	-5.77624
-82	86	-3.70446
-81	86	-2.20258
-80	86	-1.36459
-79	86	-1.00276
-78	86	-1.07554
-77	86	-1.57334
-76	86	-2.51362
-75	86	-3.86356
-74	86	-5.4564
-73	86	-6.72248
-72	86	-6.72452
-71	86	-5.40877
-70	86	-3.72686
-69	86	-2.20645
-68	86	-1.14486

-67	86	-0.366697
-66	86	0.136926
-65	86	0.265855
-64	86	0.129771
-63	86	-0.223473
-62	86	-0.807572
-61	86	-1.57701
-60	86	-2.12733
-59	86	-2.4381
-58	86	-2.28573
-57	86	-1.70075
-56	86	-0.875415
-55	86	-0.0153419
-54	86	0.699874
-53	86	1.28995
-52	86	1.66688
-51	86	1.84282
-50	86	1.84954
-49	86	1.69073
-48	86	1.37949
-47	86	0.96241
-46	86	0.49846
-45	86	0.100244
-44	86	-0.145302
-43	86	-0.146994
-42	86	0.125176
-41	86	0.617397
-40	86	1.2418
-39	86	1.90236
-38	86	2.47907
-37	86	3.01101
-36	86	3.44687
-35	86	3.79826
-34	86	4.05639
-33	86	4.22378
-32	86	4.27982
-31	86	4.26749
-30	86	4.17086
-29	86	4.01882
-28	86	3.77759
-27	86	3.53686
-26	86	3.23801
-25	86	2.96774
-24	86	2.71212
-23	86	2.52722
-22	86	2.2921
-21	86	2.19932
-20	86	2.19984
-19	86	2.07978
-18	86	2.18027
-17	86	2.23029
-16	86	2.41047
-15	86	2.6158
-14	86	2.84147
-13	86	3.02831
-12	86	3.2292
-11	86	3.39958
-10	86	3.58857
-9	86	3.76786
-8	86	3.92603
-7	86	4.04548
-6	86	4.13583
-5	86	4.22687
-4	86	4.28604
-3	86	4.31499
-2	86	4.32928
-1	86	4.364
0	86	4.43142
1	86	4.45947
2	86	4.47271
3	86	4.47105
4	86	4.45459
5	86	4.51163
6	86	4.49889
7	86	4.51786
8	86	4.48811
9	86	4.43641
10	86	4.39779
11	86	4.35446
12	86	4.34457
13	86	4.3212
14	86	4.2611
15	86	4.23502
16	86	4.2245
17	86	4.19912
18	86	4.18003
19	86	4.08521
20	86	4.02325
21	86	3.97954
22	86	3.86232
23	86	3.73956
24	86	3.61467
25	86	3.46097
26	86	3.30442
27	86	3.14114

28	86	2.9908
29	86	2.84238
30	86	2.70348
31	86	2.60067
32	86	2.51019
33	86	2.64127
34	86	2.39342
35	86	2.49389
36	86	2.53387
37	86	2.66337
38	86	2.82947
39	86	2.97547
40	86	3.07158
41	86	3.1193
42	86	3.19252
43	86	3.10237
44	86	2.93573
45	86	2.69299
46	86	2.33138
47	86	1.8417
48	86	1.25992
49	86	0.624054
50	86	-0.0292866
51	86	-0.597586
52	86	-0.987427
53	86	-1.02428
54	86	-0.782598
55	86	-0.298946
56	86	0.294066
57	86	0.811889
58	86	1.16538
59	86	1.33947
60	86	1.3381
61	86	1.16238
62	86	0.704434
63	86	-0.0635377
64	86	-1.08694
65	86	-2.46237
66	86	-4.01059
67	86	-5.33272
68	86	-5.59908
69	86	-4.71201
70	86	-3.50103
71	86	-2.17925
72	86	-1.08364
73	86	-0.441104
74	86	-0.14645
75	86	-0.240249
76	86	-0.734699
77	86	-1.6732
78	86	-3.32168
79	86	-5.65386
80	86	-9.40156
81	86	-15.0022
82	86	-13.9684
83	86	-8.67956
84	86	-5.33087
85	86	-3.10733
86	86	-1.80095
87	86	-1.01984
88	86	-0.833088
89	86	-1.10158
90	86	-1.84608
91	86	-3.24315
92	86	-5.41455
93	86	-8.6562
94	86	-12.9319
95	86	-13.618
96	86	-9.42262
97	86	-5.95026
98	86	-3.88384
99	86	-2.32652
100	86	-1.45366
101	86	-1.09874
102	86	-1.16522
103	86	-1.62628
104	86	-2.46504
105	86	-3.7027
106	86	-5.07994
107	86	-6.11182
108	86	-6.10258
109	86	-5.05173
110	86	-3.55682
111	86	-2.18325
112	86	-1.20535
113	86	-0.485043
114	86	-0.00220919
115	86	0.126078
116	86	-0.00427667
117	86	-0.31699
118	86	-0.874258
119	86	-1.56434
120	86	-2.01518
121	86	-2.24637
122	86	-2.08021

123	86	-1.54203
124	86	-0.806862
125	86	-0.0124065
126	86	0.677118
127	86	1.19186
128	86	1.53491
129	86	1.68287
130	86	1.66312
131	86	1.48004
132	86	1.15752
133	86	0.720367
134	86	0.280442
135	86	-0.0863971
136	86	-0.267412
137	86	-0.201775
138	86	0.143721
139	86	0.689683
140	86	1.3235
141	86	1.97562
142	86	2.5665
143	86	3.06953
144	86	3.50056
145	86	3.82518
146	86	4.06026
147	86	4.20367
148	86	4.24835
149	86	4.21834
150	86	4.09135
151	86	3.92182
152	86	3.64284
153	86	3.41088
154	86	3.11912
155	86	2.85743
156	86	2.56522
157	86	2.39188
158	86	2.14344
159	86	2.0513
160	86	2.08079
161	86	1.96723
162	86	2.06599
163	86	2.11512
164	86	2.29841
165	86	2.48072
166	86	2.71847
167	86	2.90384
168	86	3.1321
169	86	3.2721
170	86	3.45373
171	86	3.63167
172	86	3.78968
173	86	3.91725
174	86	4.00712
175	86	4.08987
176	86	4.16533
177	86	4.21192
178	86	4.22118
179	86	4.24459
180	86	4.2947
-180	87	4.28193
-179	87	4.32302
-178	87	4.35125
-177	87	4.3279
-176	87	4.33866
-175	87	4.38535
-174	87	4.42669
-173	87	4.44136
-172	87	4.42915
-171	87	4.38658
-170	87	4.34669
-169	87	4.31368
-168	87	4.29507
-167	87	4.2926
-166	87	4.28674
-165	87	4.21698
-164	87	4.19335
-163	87	4.20095
-162	87	4.14814
-161	87	4.08356
-160	87	4.02241
-159	87	3.90246
-158	87	3.78536
-157	87	3.64325
-156	87	3.50106
-155	87	3.322
-154	87	3.17118
-153	87	2.99715
-152	87	2.834
-151	87	2.66114
-150	87	2.50147
-149	87	2.45002
-148	87	2.29982
-147	87	2.30216
-146	87	2.3508
-145	87	2.3709
-144	87	2.50192

-143	87	2.63234
-142	87	2.78901
-141	87	2.95831
-140	87	3.08349
-139	87	3.12982
-138	87	3.21831
-137	87	3.15847
-136	87	3.00012
-135	87	2.73362
-134	87	2.38251
-133	87	1.88258
-132	87	1.29861
-131	87	0.632951
-130	87	-0.0633199
-129	87	-0.710624
-128	87	-1.13892
-127	87	-1.22694
-126	87	-1.04221
-125	87	-0.593591
-124	87	0.0249641
-123	87	0.559141
-122	87	0.962785
-121	87	1.24087
-120	87	1.2933
-119	87	1.0877
-118	87	0.639681
-117	87	-0.108172
-116	87	-1.11833
-115	87	-2.40977
-114	87	-4.0019
-113	87	-5.29827
-112	87	-5.8114
-111	87	-5.10287
-110	87	-3.76741
-109	87	-2.28421
-108	87	-1.333
-107	87	-0.724151
-106	87	-0.404028
-105	87	-0.483047
-104	87	-0.995409
-103	87	-1.9662
-102	87	-3.66223
-101	87	-6.06682
-100	87	-9.853
-99	87	-15.3581
-98	87	-13.2554
-97	87	-8.28193
-96	87	-5.05522
-95	87	-3.01682
-94	87	-1.64456
-93	87	-1.02517
-92	87	-0.857967
-91	87	-1.17878
-90	87	-1.90274
-89	87	-3.28193
-88	87	-5.47828
-87	87	-8.55955
-86	87	-13.808
-85	87	-14.1326
-84	87	-9.61715
-83	87	-6.14132
-82	87	-3.87585
-81	87	-2.47082
-80	87	-1.48804
-79	87	-1.12149
-78	87	-1.16849
-77	87	-1.61109
-76	87	-2.53602
-75	87	-3.88533
-74	87	-5.41611
-73	87	-6.70674
-72	87	-6.76601
-71	87	-5.55526
-70	87	-3.89152
-69	87	-2.40176
-68	87	-1.2896
-67	87	-0.53765
-66	87	-0.0370828
-65	87	0.0975558
-64	87	-0.0450715
-63	87	-0.452112
-62	87	-1.03895
-61	87	-1.82412
-60	87	-2.39273
-59	87	-2.78049
-58	87	-2.56071
-57	87	-1.92698
-56	87	-1.05205
-55	87	-0.145635
-54	87	0.590988
-53	87	1.18014
-52	87	1.59559
-51	87	1.80458
-50	87	1.79791
-49	87	1.62382

-48	87	1.3062
-47	87	0.902831
-46	87	0.462
-45	87	0.0800057
-44	87	-0.152367
-43	87	-0.149647
-42	87	0.142195
-41	87	0.640523
-40	87	1.23226
-39	87	1.88259
-38	87	2.48581
-37	87	3.0261
-36	87	3.4591
-35	87	3.80121
-34	87	4.06843
-33	87	4.23145
-32	87	4.29676
-31	87	4.29713
-30	87	4.2055
-29	87	4.06777
-28	87	3.8437
-27	87	3.61284
-26	87	3.30801
-25	87	3.05863
-24	87	2.77838
-23	87	2.57558
-22	87	2.40319
-21	87	2.23913
-20	87	2.10469
-19	87	2.1622
-18	87	2.22048
-17	87	2.25317
-16	87	2.43108
-15	87	2.68566
-14	87	2.89146
-13	87	3.05312
-12	87	3.2608
-11	87	3.41503
-10	87	3.59871
-9	87	3.79104
-8	87	3.91863
-7	87	4.03647
-6	87	4.12695
-5	87	4.21133
-4	87	4.3409
-3	87	4.29797
-2	87	4.31279
-1	87	4.35968
0	87	4.43464
1	87	4.4607
2	87	4.48028
3	87	4.45214
4	87	4.46492
5	87	4.50455
6	87	4.53514
7	87	4.5486
8	87	4.51327
9	87	4.48128
10	87	4.43165
11	87	4.3829
12	87	4.36946
13	87	4.35439
14	87	4.34636
15	87	4.26363
16	87	4.24201
17	87	4.22473
18	87	4.18018
19	87	4.13047
20	87	4.06786
21	87	3.96524
22	87	3.87001
23	87	3.74348
24	87	3.6733
25	87	3.47968
26	87	3.33129
27	87	3.16719
28	87	3.00399
29	87	2.84599
30	87	2.68416
31	87	2.59597
32	87	2.43062
33	87	2.40584
34	87	2.41254
35	87	2.41038
36	87	2.50356
37	87	2.6153
38	87	2.82359
39	87	2.92493
40	87	3.04906
41	87	3.10552
42	87	3.19047
43	87	3.17516
44	87	3.01629
45	87	2.77092
46	87	2.44324

47	87	1.98091
48	87	1.46884
49	87	0.843835
50	87	0.195519
51	87	-0.42227
52	87	-0.861641
53	87	-0.955194
54	87	-0.882468
55	87	-0.53609
56	87	0.0365399
57	87	0.53803
58	87	0.923024
59	87	1.18764
60	87	1.24312
61	87	1.03049
62	87	0.595179
63	87	-0.0885725
64	87	-1.14623
65	87	-2.48294
66	87	-3.9768
67	87	-5.29562
68	87	-5.81471
69	87	-5.10815
70	87	-3.70555
71	87	-2.22505
72	87	-1.23886
73	87	-0.614367
74	87	-0.240313
75	87	-0.273715
76	87	-0.745572
77	87	-1.65606
78	87	-3.31586
79	87	-5.54328
80	87	-9.13469
81	87	-14.6849
82	87	-14.1609
83	87	-8.93698
84	87	-5.44488
85	87	-3.25302
86	87	-1.81697
87	87	-1.0842
88	87	-0.829107
89	87	-1.10895
90	87	-1.78428
91	87	-3.0718
92	87	-5.20517
93	87	-8.13907
94	87	-13.0845
95	87	-14.1462
96	87	-9.87479
97	87	-6.37764
98	87	-4.05118
99	87	-2.56579
100	87	-1.55888
101	87	-1.18897
102	87	-1.20884
103	87	-1.64563
104	87	-2.45859
105	87	-3.67715
106	87	-4.93644
107	87	-5.99961
108	87	-6.07606
109	87	-5.10023
110	87	-3.69518
111	87	-2.36417
112	87	-1.34055
113	87	-0.657049
114	87	-0.185343
115	87	-0.0657117
116	87	-0.212062
117	87	-0.592592
118	87	-1.13879
119	87	-1.88176
120	87	-2.38266
121	87	-2.71486
122	87	-2.45003
123	87	-1.82728
124	87	-1.02134
125	87	-0.172427
126	87	0.538013
127	87	1.07923
128	87	1.45387
129	87	1.60816
130	87	1.62204
131	87	1.44243
132	87	1.14377
133	87	0.730389
134	87	0.306164
135	87	-0.0268187
136	87	-0.166659
137	87	-0.0862708
138	87	0.248827
139	87	0.787006
140	87	1.41493
141	87	2.04733

142	87	2.64846
143	87	3.12888
144	87	3.53144
145	87	3.85531
146	87	4.0981
147	87	4.22421
148	87	4.27843
149	87	4.25309
150	87	4.12742
151	87	3.9619
152	87	3.72019
153	87	3.48471
154	87	3.17277
155	87	2.93056
156	87	2.63589
157	87	2.44162
158	87	2.22985
159	87	2.10102
160	87	1.96626
161	87	2.04437
162	87	2.12539
163	87	2.15819
164	87	2.34293
165	87	2.56171
166	87	2.76443
167	87	2.94526
168	87	3.12706
169	87	3.30698
170	87	3.49178
171	87	3.67397
172	87	3.80317
173	87	3.92518
174	87	4.00116
175	87	4.09118
176	87	4.15398
177	87	4.1974
178	87	4.20728
179	87	4.23528
180	87	4.28193
-180	88	4.35764
-179	88	4.29932
-178	88	4.37489
-177	88	4.34203
-176	88	4.3807
-175	88	4.4088
-174	88	4.43719
-173	88	4.45439
-172	88	4.46684
-171	88	4.45621
-170	88	4.40522
-169	88	4.37668
-168	88	4.36936
-167	88	4.37581
-166	88	4.39156
-165	88	4.28611
-164	88	4.30171
-163	88	4.28012
-162	88	4.24441
-161	88	4.18581
-160	88	4.10725
-159	88	4.01638
-158	88	3.88224
-157	88	3.77715
-156	88	3.62001
-155	88	3.42154
-154	88	3.25424
-153	88	3.06562
-152	88	2.88654
-151	88	2.69696
-150	88	2.48148
-149	88	2.39394
-148	88	2.32956
-147	88	2.21844
-146	88	2.23049
-145	88	2.26295
-144	88	2.36451
-143	88	2.51223
-142	88	2.68661
-141	88	2.85237
-140	88	3.00382
-139	88	3.09454
-138	88	3.14472
-137	88	3.17858
-136	88	3.0369
-135	88	2.82236
-134	88	2.4926
-133	88	2.0354
-132	88	1.48311
-131	88	0.843886
-130	88	0.169088
-129	88	-0.514321
-128	88	-1.09347
-127	88	-1.2714
-126	88	-1.06297
-125	88	-0.668806

-124	88	-0.151164
-123	88	0.429266
-122	88	0.883128
-121	88	1.14496
-120	88	1.22252
-119	88	1.05994
-118	88	0.65512
-117	88	-0.0725981
-116	88	-1.05963
-115	88	-2.34952
-114	88	-3.8855
-113	88	-5.28812
-112	88	-5.82533
-111	88	-5.15952
-110	88	-3.83743
-109	88	-2.52931
-108	88	-1.44798
-107	88	-0.697019
-106	88	-0.362561
-105	88	-0.500982
-104	88	-0.988635
-103	88	-1.90577
-102	88	-3.45066
-101	88	-5.97847
-100	88	-9.5909
-99	88	-15.794
-98	88	-14.6358
-97	88	-8.84317
-96	88	-5.42255
-95	88	-3.24391
-94	88	-1.85493
-93	88	-1.17099
-92	88	-0.886779
-91	88	-1.18084
-90	88	-1.89595
-89	88	-3.23889
-88	88	-5.35328
-87	88	-8.43967
-86	88	-13.3009
-85	88	-14.8723
-84	88	-10.1521
-83	88	-6.45396
-82	88	-4.15223
-81	88	-2.71352
-80	88	-1.64665
-79	88	-1.24379
-78	88	-1.26785
-77	88	-1.70857
-76	88	-2.59295
-75	88	-3.88356
-74	88	-5.43983
-73	88	-6.71754
-72	88	-6.88173
-71	88	-5.70636
-70	88	-4.05392
-69	88	-2.59556
-68	88	-1.41131
-67	88	-0.693798
-66	88	-0.230371
-65	88	-0.0982803
-64	88	-0.235397
-63	88	-0.635072
-62	88	-1.25424
-61	88	-2.00959
-60	88	-2.73209
-59	88	-3.04583
-58	88	-2.7064
-57	88	-2.06465
-56	88	-1.17005
-55	88	-0.245656
-54	88	0.528077
-53	88	1.15622
-52	88	1.58211
-51	88	1.78757
-50	88	1.81722
-49	88	1.66348
-48	88	1.37348
-47	88	0.986538
-46	88	0.555893
-45	88	0.173847
-44	88	-0.0554055
-43	88	-0.0584081
-42	88	0.217839
-41	88	0.710499
-40	88	1.29709
-39	88	1.92589
-38	88	2.51854
-37	88	3.07064
-36	88	3.47915
-35	88	3.848
-34	88	4.1155
-33	88	4.27147
-32	88	4.32593
-31	88	4.34191
-30	88	4.26053

-29	88	4.10574
-28	88	3.92156
-27	88	3.67635
-26	88	3.35351
-25	88	3.11632
-24	88	2.82025
-23	88	2.66517
-22	88	2.40261
-21	88	2.26644
-20	88	2.1721
-19	88	2.16096
-18	88	2.23734
-17	88	2.23664
-16	88	2.42974
-15	88	2.68873
-14	88	2.91341
-13	88	3.09061
-12	88	3.29028
-11	88	3.44249
-10	88	3.62925
-9	88	3.81477
-8	88	3.93066
-7	88	4.04365
-6	88	4.13285
-5	88	4.21583
-4	88	4.28401
-3	88	4.29988
-2	88	4.32161
-1	88	4.36919
0	88	4.47212
1	88	4.4198
2	88	4.49273
3	88	4.47439
4	88	4.4998
5	88	4.51437
6	88	4.5376
7	88	4.587
8	88	4.54634
9	88	4.51705
10	88	4.46293
11	88	4.41616
12	88	4.39611
13	88	4.37234
14	88	4.40275
15	88	4.28175
16	88	4.28628
17	88	4.2543
18	88	4.21957
19	88	4.15698
20	88	4.0943
21	88	4.02135
22	88	3.89572
23	88	3.80703
24	88	3.66935
25	88	3.49956
26	88	3.36277
27	88	3.20466
28	88	3.02787
29	88	2.85276
30	88	2.64648
31	88	2.53998
32	88	2.46095
33	88	2.36318
34	88	2.3462
35	88	2.35843
36	88	2.42836
37	88	2.53622
38	88	2.70586
39	88	2.85706
40	88	2.99638
41	88	3.06944
42	88	3.13036
43	88	3.15481
44	88	3.03363
45	88	2.86152
46	88	2.52506
47	88	2.10575
48	88	1.58947
49	88	0.990053
50	88	0.366234
51	88	-0.272743
52	88	-0.833309
53	88	-1.02091
54	88	-0.834406
55	88	-0.533841
56	88	-0.0684953
57	88	0.4812
58	88	0.890805
59	88	1.1489
60	88	1.18834
61	88	1.0256
62	88	0.613314
63	88	-0.0460755
64	88	-1.07127
65	88	-2.38044

66	88	-3.93331
67	88	-5.36911
68	88	-5.94555
69	88	-5.26553
70	88	-3.92707
71	88	-2.57325
72	88	-1.44702
73	88	-0.677622
74	88	-0.29037
75	88	-0.377586
76	88	-0.817464
77	88	-1.66474
78	88	-3.13856
79	88	-5.5603
80	88	-8.97253
81	88	-14.8561
82	88	-14.9747
83	88	-9.34047
84	88	-5.70746
85	88	-3.39009
86	88	-1.97357
87	88	-1.16975
88	88	-0.834369
89	88	-1.05136
90	88	-1.70224
91	88	-2.99909
92	88	-5.00421
93	88	-7.97333
94	88	-12.5983
95	88	-14.6226
96	88	-10.4835
97	88	-6.71937
98	88	-4.21385
99	88	-2.7418
100	88	-1.66697
101	88	-1.24745
102	88	-1.2798
103	88	-1.68709
104	88	-2.44825
105	88	-3.56577
106	88	-4.89479
107	88	-5.98633
108	88	-6.20389
109	88	-5.31797
110	88	-3.85857
111	88	-2.59127
112	88	-1.5039
113	88	-0.859228
114	88	-0.421983
115	88	-0.316586
116	88	-0.481943
117	88	-0.888659
118	88	-1.48726
119	88	-2.20983
120	88	-2.82796
121	88	-3.0461
122	88	-2.62198
123	88	-1.96702
124	88	-1.09003
125	88	-0.218274
126	88	0.516541
127	88	1.11765
128	88	1.49708
129	88	1.68017
130	88	1.68721
131	88	1.50836
132	88	1.23116
133	88	0.857014
134	88	0.446148
135	88	0.0932871
136	88	-0.0535519
137	88	0.0365793
138	88	0.352012
139	88	0.879706
140	88	1.46071
141	88	2.06828
142	88	2.65432
143	88	3.15562
144	88	3.54161
145	88	3.87965
146	88	4.13389
147	88	4.25852
148	88	4.3062
149	88	4.30004
150	88	4.19382
151	88	4.0007
152	88	3.80113
153	88	3.54776
154	88	3.24073
155	88	2.98413
156	88	2.66751
157	88	2.53296
158	88	2.27458
159	88	2.14411
160	88	2.06893

161	88	2.06132
162	88	2.16139
163	88	2.17397
164	88	2.35768
165	88	2.60051
166	88	2.81463
167	88	2.99395
168	88	3.18384
169	88	3.36781
170	88	3.5501
171	88	3.74948
172	88	3.83372
173	88	3.95839
174	88	4.03727
175	88	4.13124
176	88	4.18933
177	88	4.22638
178	88	4.23391
179	88	4.27084
180	88	4.35764
-180	89	4.40052
-179	89	4.43396
-178	89	4.42899
-177	89	4.44589
-176	89	4.45866
-175	89	4.45721
-174	89	4.4757
-173	89	4.52197
-172	89	4.54671
-171	89	4.54348
-170	89	4.49726
-169	89	4.46002
-168	89	4.45746
-167	89	4.48952
-166	89	4.46573
-165	89	4.37971
-164	89	4.4018
-163	89	4.37411
-162	89	4.33134
-161	89	4.26014
-160	89	4.19125
-159	89	4.09716
-158	89	3.98911
-157	89	3.875
-156	89	3.70156
-155	89	3.58465
-154	89	3.36889
-153	89	3.15456
-152	89	2.96655
-151	89	2.80802
-150	89	2.53254
-149	89	2.45169
-148	89	2.28476
-147	89	2.21268
-146	89	2.19919
-145	89	2.20644
-144	89	2.2906
-143	89	2.42671
-142	89	2.58915
-141	89	2.75625
-140	89	2.90382
-139	89	3.0187
-138	89	3.05386
-137	89	3.11576
-136	89	3.00764
-135	89	2.80582
-134	89	2.506
-133	89	2.08769
-132	89	1.54619
-131	89	0.893916
-130	89	0.218369
-129	89	-0.434625
-128	89	-0.911897
-127	89	-1.15448
-126	89	-1.12768
-125	89	-0.734419
-124	89	-0.190701
-123	89	0.335544
-122	89	0.791589
-121	89	1.12065
-120	89	1.16677
-119	89	1.03935
-118	89	0.652694
-117	89	-0.031575
-116	89	-0.991299
-115	89	-2.26888
-114	89	-3.78765
-113	89	-5.18036
-112	89	-5.80923
-111	89	-5.22279
-110	89	-3.91506
-109	89	-2.52047
-108	89	-1.44748
-107	89	-0.717
-106	89	-0.372076

-105	89	-0.380808
-104	89	-0.77023
-103	89	-1.67282
-102	89	-3.20434
-101	89	-5.58775
-100	89	-8.9754
-99	89	-15.3138
-98	89	-16.1514
-97	89	-9.76186
-96	89	-5.98811
-95	89	-3.6564
-94	89	-2.1791
-93	89	-1.46721
-92	89	-0.999928
-91	89	-1.23128
-90	89	-2.01409
-89	89	-3.37449
-88	89	-5.42385
-87	89	-8.50438
-86	89	-12.8638
-85	89	-15.6406
-84	89	-10.8592
-83	89	-6.84133
-82	89	-4.36118
-81	89	-2.74921
-80	89	-1.9
-79	89	-1.2899
-78	89	-1.33718
-77	89	-1.75784
-76	89	-2.6283
-75	89	-3.9208
-74	89	-5.44979
-73	89	-6.81979
-72	89	-7.09084
-71	89	-5.93449
-70	89	-4.2584
-69	89	-2.76771
-68	89	-1.56447
-67	89	-0.813486
-66	89	-0.403582
-65	89	-0.254139
-64	89	-0.407596
-63	89	-0.824062
-62	89	-1.46835
-61	89	-2.23125
-60	89	-2.90512
-59	89	-3.17094
-58	89	-2.85142
-57	89	-2.22287
-56	89	-1.19438
-55	89	-0.246551
-54	89	0.55413
-53	89	1.18914
-52	89	1.63379
-51	89	1.84041
-50	89	1.87452
-49	89	1.74542
-48	89	1.45072
-47	89	1.07876
-46	89	0.660623
-45	89	0.329127
-44	89	0.0365991
-43	89	0.00799056
-42	89	0.249853
-41	89	0.719317
-40	89	1.3012
-39	89	1.90537
-38	89	2.51067
-37	89	3.03308
-36	89	3.4259
-35	89	3.86076
-34	89	4.12771
-33	89	4.2911
-32	89	4.34373
-31	89	4.34883
-30	89	4.24937
-29	89	4.13756
-28	89	3.97034
-27	89	3.66788
-26	89	3.40056
-25	89	3.08692
-24	89	2.86513
-23	89	2.64844
-22	89	2.48034
-21	89	2.22299
-20	89	2.16164
-19	89	2.20495
-18	89	2.2029
-17	89	2.27021
-16	89	2.47529
-15	89	2.73406
-14	89	2.93975
-13	89	3.1149
-12	89	3.32328
-11	89	3.48291

-10	89	3.66783
-9	89	3.83782
-8	89	3.96982
-7	89	4.07155
-6	89	4.16647
-5	89	4.25616
-4	89	4.32421
-3	89	4.37089
-2	89	4.41673
-1	89	4.40687
0	89	4.48623
1	89	4.51692
2	89	4.51796
3	89	4.54601
4	89	4.55167
5	89	4.55225
6	89	4.5813
7	89	4.58329
8	89	4.60078
9	89	4.60682
10	89	4.53451
11	89	4.4888
12	89	4.45993
13	89	4.46226
14	89	4.43133
15	89	4.33517
16	89	4.33277
17	89	4.29832
18	89	4.25464
19	89	4.19085
20	89	4.127
21	89	4.03184
22	89	3.93831
23	89	3.83417
24	89	3.68011
25	89	3.58143
26	89	3.3894
27	89	3.20514
28	89	3.01436
29	89	2.881
30	89	2.64404
31	89	2.55523
32	89	2.39763
33	89	2.33482
34	89	2.30184
35	89	2.31065
36	89	2.37315
37	89	2.48724
38	89	2.63801
39	89	2.78292
40	89	2.92669
41	89	3.0351
42	89	3.07628
43	89	3.125
44	89	3.02891
45	89	2.82814
46	89	2.5526
47	89	2.14941
48	89	1.63334
49	89	1.0212
50	89	0.37846
51	89	-0.235579
52	89	-0.720692
53	89	-0.958574
54	89	-0.952568
55	89	-0.607959
56	89	-0.104597
57	89	0.392326
58	89	0.81653
59	89	1.12839
60	89	1.19192
61	89	1.06503
62	89	0.691761
63	89	0.0346097
64	89	-0.903288
65	89	-2.18512
66	89	-3.72499
67	89	-5.20006
68	89	-5.91067
69	89	-5.40486
70	89	-4.07014
71	89	-2.6291
72	89	-1.50084
73	89	-0.770421
74	89	-0.391725
75	89	-0.361169
76	89	-0.690564
77	89	-1.55942
78	89	-3.03499
79	89	-5.36804
80	89	-8.67786
81	89	-14.6434
82	89	-16.285
83	89	-10.0464
84	89	-6.16767

85	89	-3.69518
86	89	-2.21823
87	89	-1.39199
88	89	-0.839095
89	89	-1.03178
90	89	-1.76439
91	89	-3.02876
92	89	-5.0406
93	89	-7.9782
94	89	-12.1112
95	89	-15.2655
96	89	-10.991
97	89	-6.94755
98	89	-4.41212
99	89	-2.7721
100	89	-1.90699
101	89	-1.31713
102	89	-1.34007
103	89	-1.71176
104	89	-2.42987
105	89	-3.59727
106	89	-4.90557
107	89	-6.06842
108	89	-6.4147
109	89	-5.55822
110	89	-4.15309
111	89	-2.8446
112	89	-1.7085
113	89	-1.0343
114	89	-0.669609
115	89	-0.523107
116	89	-0.701024
117	89	-1.11393
118	89	-1.71226
119	89	-2.42085
120	89	-2.9535
121	89	-3.11876
122	89	-2.72161
123	89	-2.01919
124	89	-1.01112
125	89	-0.110858
126	89	0.644908
127	89	1.22515
128	89	1.60476
129	89	1.82184
130	89	1.83702
131	89	1.65007
132	89	1.34964
133	89	0.960845
134	89	0.572097
135	89	0.227758
136	89	0.047083
137	89	0.0678484
138	89	0.365094
139	89	0.856983
140	89	1.4406
141	89	2.04455
142	89	2.61816
143	89	3.11945
144	89	3.54228
145	89	3.90319
146	89	4.14495
147	89	4.29275
148	89	4.32854
149	89	4.31961
150	89	4.20705
151	89	4.07048
152	89	3.88932
153	89	3.56385
154	89	3.31512
155	89	3.00583
156	89	2.7685
157	89	2.54819
158	89	2.39634
159	89	2.18167
160	89	2.10931
161	89	2.16223
162	89	2.1837
163	89	2.26432
164	89	2.46517
165	89	2.69902
166	89	2.90936
167	89	3.09117
168	89	3.28408
169	89	3.46963
170	89	3.63746
171	89	3.81432
172	89	3.94905
173	89	4.03821
174	89	4.12457
175	89	4.20586
176	89	4.2778
177	89	4.33486
178	89	4.35275
179	89	4.3342

180	89	4.40052
-180	90	4.53025
-179	90	4.5651
-178	90	4.57791
-177	90	4.58645
-176	90	4.57861
-175	90	4.58868
-174	90	4.59804
-173	90	4.61221
-172	90	4.62236
-171	90	4.62316
-170	90	4.59879
-169	90	4.57196
-168	90	4.54579
-167	90	4.58737
-166	90	4.52707
-165	90	4.46627
-164	90	4.46603
-163	90	4.44309
-162	90	4.37348
-161	90	4.28912
-160	90	4.2199
-159	90	4.13873
-158	90	4.03213
-157	90	3.92216
-156	90	3.79416
-155	90	3.61794
-154	90	3.43677
-153	90	3.32009
-152	90	3.04427
-151	90	2.89768
-150	90	2.66445
-149	90	2.50575
-148	90	2.3628
-147	90	2.25653
-146	90	2.22598
-145	90	2.22054
-144	90	2.26658
-143	90	2.38193
-142	90	2.52017
-141	90	2.68914
-140	90	2.84032
-139	90	2.9674
-138	90	3.02431
-137	90	3.03769
-136	90	2.98117
-135	90	2.7496
-134	90	2.4447
-133	90	2.08421
-132	90	1.56472
-131	90	0.908953
-130	90	0.269491
-129	90	-0.394053
-128	90	-0.907737
-127	90	-1.19591
-126	90	-1.11434
-125	90	-0.756062
-124	90	-0.260265
-123	90	0.278533
-122	90	0.706316
-121	90	1.00262
-120	90	1.10956
-119	90	0.989417
-118	90	0.61637
-117	90	-0.0484299
-116	90	-0.970394
-115	90	-2.23654
-114	90	-3.74933
-113	90	-5.20986
-112	90	-5.9099
-111	90	-5.27482
-110	90	-3.9721
-109	90	-2.58061
-108	90	-1.45151
-107	90	-0.66224
-106	90	-0.23702
-105	90	-0.247023
-104	90	-0.662032
-103	90	-1.45441
-102	90	-2.79853
-101	90	-4.89534
-100	90	-8.35938
-99	90	-14.1176
-98	90	-16.9692
-97	90	-10.7522
-96	90	-6.61926
-95	90	-4.08208
-94	90	-2.5425
-93	90	-1.66326
-92	90	-1.29166
-91	90	-1.34883
-90	90	-2.07489
-89	90	-3.4428
-88	90	-5.47753
-87	90	-8.43143

-86	90	-13.1446
-85	90	-16.9254
-84	90	-11.155
-83	90	-7.12698
-82	90	-4.59769
-81	90	-2.91277
-80	90	-1.92231
-79	90	-1.45204
-78	90	-1.39724
-77	90	-1.8225
-76	90	-2.68239
-75	90	-3.95125
-74	90	-5.51577
-73	90	-6.95348
-72	90	-7.31146
-71	90	-6.19157
-70	90	-4.49248
-69	90	-2.94657
-68	90	-1.75921
-67	90	-0.919528
-66	90	-0.560411
-65	90	-0.411824
-64	90	-0.547276
-63	90	-0.950007
-62	90	-1.57294
-61	90	-2.32205
-60	90	-3.01177
-59	90	-3.25005
-58	90	-2.90435
-57	90	-2.10666
-56	90	-1.0821
-55	90	-0.143066
-54	90	0.644299
-53	90	1.28109
-52	90	1.71393
-51	90	1.9255
-50	90	1.98997
-49	90	1.82683
-48	90	1.56412
-47	90	1.16743
-46	90	0.743736
-45	90	0.341496
-44	90	0.0462299
-43	90	-0.0151195
-42	90	0.203069
-41	90	0.631861
-40	90	1.19145
-39	90	1.81446
-38	90	2.40094
-37	90	2.92579
-36	90	3.4251
-35	90	3.76435
-34	90	4.09167
-33	90	4.25781
-32	90	4.33379
-31	90	4.32091
-30	90	4.25675
-29	90	4.19283
-28	90	3.9289
-27	90	3.66976
-26	90	3.41366
-25	90	3.09044
-24	90	2.90257
-23	90	2.66494
-22	90	2.47967
-21	90	2.28025
-20	90	2.21996
-19	90	2.20855
-18	90	2.24593
-17	90	2.35928
-16	90	2.59952
-15	90	2.71106
-14	90	2.97318
-13	90	3.14878
-12	90	3.34458
-11	90	3.51267
-10	90	3.69528
-9	90	3.84967
-8	90	3.97326
-7	90	4.08326
-6	90	4.18461
-5	90	4.27966
-4	90	4.36628
-3	90	4.43434
-2	90	4.49555
-1	90	4.52515
0	90	4.54615
1	90	4.59137
2	90	4.6112
3	90	4.61912
4	90	4.62546
5	90	4.63054
6	90	4.63288
7	90	4.62859
8	90	4.66058

9	90	4.66173
10	90	4.61089
11	90	4.56827
12	90	4.54081
13	90	4.5595
14	90	4.4738
15	90	4.40008
16	90	4.39055
17	90	4.33096
18	90	4.28824
19	90	4.21657
20	90	4.14306
21	90	4.05366
22	90	3.9601
23	90	3.84542
24	90	3.73205
25	90	3.57087
26	90	3.4107
27	90	3.3393
28	90	3.04455
29	90	2.89158
30	90	2.69115
31	90	2.54317
32	90	2.4059
33	90	2.30854
34	90	2.26661
35	90	2.26638
36	90	2.31878
37	90	2.43361
38	90	2.57245
39	90	2.72064
40	90	2.8724
41	90	2.98702
42	90	3.04533
43	90	3.06413
44	90	3.00569
45	90	2.80356
46	90	2.51209
47	90	2.177
48	90	1.67419
49	90	1.05459
50	90	0.430628
51	90	-0.241561
52	90	-0.73459
53	90	-1.02794
54	90	-0.975548
55	90	-0.682092
56	90	-0.186274
57	90	0.3154
58	90	0.737289
59	90	1.03269
60	90	1.14074
61	90	1.03476
62	90	0.69468
63	90	0.0545025
64	90	-0.84721
65	90	-2.09099
66	90	-3.585
67	90	-5.04692
68	90	-5.83338
69	90	-5.4104
70	90	-4.1252
71	90	-2.70329
72	90	-1.54181
73	90	-0.727383
74	90	-0.282569
75	90	-0.26636
76	90	-0.609232
77	90	-1.37124
78	90	-2.68763
79	90	-4.76739
80	90	-8.11989
81	90	-13.6766
82	90	-17.2358
83	90	-11.0354
84	90	-6.79019
85	90	-4.17752
86	90	-2.54801
87	90	-1.59125
88	90	-1.11076
89	90	-1.10594
90	90	-1.7714
91	90	-2.99025
92	90	-5.00609
93	90	-7.98058
94	90	-12.1943
95	90	-16.0623
96	90	-11.1892
97	90	-7.19806
98	90	-4.63842
99	90	-2.95384
100	90	-1.99554
101	90	-1.50599
102	90	-1.41507
103	90	-1.76089

104	90	-2.46741
105	90	-3.59872
106	90	-4.97511
107	90	-6.20009
108	90	-6.60609
109	90	-5.83247
110	90	-4.42544
111	90	-3.07443
112	90	-1.94205
113	90	-1.17822
114	90	-0.839541
115	90	-0.703504
116	90	-0.867239
117	90	-1.24539
118	90	-1.83317
119	90	-2.52677
120	90	-3.01553
121	90	-3.06627
122	90	-2.62081
123	90	-1.80044
124	90	-0.844606
125	90	0.0497368
126	90	0.774722
127	90	1.34936
128	90	1.73679
129	90	1.90684
130	90	1.90417
131	90	1.73536
132	90	1.4363
133	90	1.03658
134	90	0.649143
135	90	0.26774
136	90	0.0326963
137	90	0.0325494
138	90	0.288842
139	90	0.761844
140	90	1.34704
141	90	1.96576
142	90	2.53658
143	90	3.05226
144	90	3.52278
145	90	3.88234
146	90	4.15921
147	90	4.30198
148	90	4.35673
149	90	4.33391
150	90	4.26273
151	90	4.17135
152	90	3.88397
153	90	3.62664
154	90	3.35935
155	90	3.04217
156	90	2.83349
157	90	2.62
158	90	2.43635
159	90	2.2723
160	90	2.23326
161	90	2.22831
162	90	2.29775
163	90	2.41988
164	90	2.62354
165	90	2.77092
166	90	3.02472
167	90	3.21279
168	90	3.39293
169	90	3.56979
170	90	3.73413
171	90	3.89281
172	90	4.00317
173	90	4.12166
174	90	4.20941
175	90	4.29926
176	90	4.37725
177	90	4.39451
178	90	4.48932
179	90	4.5231
180	90	4.53025
-180	91	4.60159
-179	91	4.62129
-178	91	4.62043
-177	91	4.62741
-176	91	4.63281
-175	91	4.6359
-174	91	4.62031
-173	91	4.64638
-172	91	4.67347
-171	91	4.68504
-170	91	4.67651
-169	91	4.64466
-168	91	4.6547
-167	91	4.60166
-166	91	4.59505
-165	91	4.53523
-164	91	4.4971
-163	91	4.45876

-162	91	4.40685
-161	91	4.34872
-160	91	4.27094
-159	91	4.18461
-158	91	4.08135
-157	91	3.95562
-156	91	3.84092
-155	91	3.69012
-154	91	3.55335
-153	91	3.32317
-152	91	3.1734
-151	91	2.96348
-150	91	2.73974
-149	91	2.56537
-148	91	2.40727
-147	91	2.2897
-146	91	2.22919
-145	91	2.19852
-144	91	2.23025
-143	91	2.32292
-142	91	2.45625
-141	91	2.60859
-140	91	2.74173
-139	91	2.87189
-138	91	2.94629
-137	91	2.95534
-136	91	2.89782
-135	91	2.75894
-134	91	2.44471
-133	91	2.01051
-132	91	1.53486
-131	91	0.949986
-130	91	0.264475
-129	91	-0.415916
-128	91	-0.925245
-127	91	-1.21845
-126	91	-1.1818
-125	91	-0.834209
-124	91	-0.334113
-123	91	0.179921
-122	91	0.623001
-121	91	0.914718
-120	91	1.00814
-119	91	0.892823
-118	91	0.540412
-117	91	-0.122878
-116	91	-1.04897
-115	91	-2.32479
-114	91	-3.87075
-113	91	-5.39308
-112	91	-6.09986
-111	91	-5.49787
-110	91	-4.10378
-109	91	-2.66942
-108	91	-1.48807
-107	91	-0.674702
-106	91	-0.239871
-105	91	-0.178926
-104	91	-0.505944
-103	91	-1.28937
-102	91	-2.63208
-101	91	-4.58509
-100	91	-7.72234
-99	91	-12.6416
-98	91	-16.288
-97	91	-11.4067
-96	91	-6.98551
-95	91	-4.35873
-94	91	-2.67369
-93	91	-1.91211
-92	91	-1.61557
-91	91	-1.51006
-90	91	-2.01697
-89	91	-3.11658
-88	91	-4.84687
-87	91	-7.58798
-86	91	-12.5599
-85	91	-16.7662
-84	91	-12.0117
-83	91	-7.62471
-82	91	-4.94909
-81	91	-3.19176
-80	91	-2.14904
-79	91	-1.63193
-78	91	-1.53225
-77	91	-1.98187
-76	91	-2.81698
-75	91	-4.09774
-74	91	-5.67483
-73	91	-7.13437
-72	91	-7.45305
-71	91	-6.30899
-70	91	-4.53756
-69	91	-3.0028
-68	91	-1.81201

-67	91	-0.86017
-66	91	-0.526119
-65	91	-0.367162
-64	91	-0.507179
-63	91	-0.926285
-62	91	-1.54336
-61	91	-2.28665
-60	91	-2.945
-59	91	-3.20119
-58	91	-2.92433
-57	91	-2.10832
-56	91	-1.12933
-55	91	-0.169671
-54	91	0.643948
-53	91	1.30327
-52	91	1.71633
-51	91	1.94138
-50	91	1.99959
-49	91	1.87237
-48	91	1.58918
-47	91	1.21781
-46	91	0.774192
-45	91	0.345321
-44	91	0.0256769
-43	91	-0.0727383
-42	91	0.103311
-41	91	0.521842
-40	91	1.08257
-39	91	1.68412
-38	91	2.25404
-37	91	2.82475
-36	91	3.34887
-35	91	3.72138
-34	91	3.98847
-33	91	4.17261
-32	91	4.2637
-31	91	4.25231
-30	91	4.24096
-29	91	4.07802
-28	91	3.86832
-27	91	3.63893
-26	91	3.34951
-25	91	3.11312
-24	91	2.8672
-23	91	2.65362
-22	91	2.475
-21	91	2.31926
-20	91	2.24701
-19	91	2.23677
-18	91	2.32098
-17	91	2.38297
-16	91	2.60467
-15	91	2.76333
-14	91	3.01074
-13	91	3.12469
-12	91	3.34502
-11	91	3.50189
-10	91	3.69321
-9	91	3.85409
-8	91	3.98596
-7	91	4.1026
-6	91	4.21538
-5	91	4.30085
-4	91	4.43555
-3	91	4.44783
-2	91	4.54099
-1	91	4.54315
0	91	4.58818
1	91	4.62257
2	91	4.63643
3	91	4.65627
4	91	4.6602
5	91	4.65956
6	91	4.65383
7	91	4.67161
8	91	4.7037
9	91	4.71061
10	91	4.67812
11	91	4.65752
12	91	4.6507
13	91	4.5819
14	91	4.57938
15	91	4.48599
16	91	4.44205
17	91	4.37971
18	91	4.34114
19	91	4.27153
20	91	4.19847
21	91	4.12694
22	91	4.02457
23	91	3.88487
24	91	3.79221
25	91	3.66516
26	91	3.51303
27	91	3.30882

28	91	3.1687
29	91	2.97289
30	91	2.75554
31	91	2.57746
32	91	2.42183
33	91	2.2998
34	91	2.21867
35	91	2.19143
36	91	2.21681
37	91	2.38754
38	91	2.4733
39	91	2.6239
40	91	2.75914
41	91	2.87341
42	91	2.95799
43	91	2.97831
44	91	2.94147
45	91	2.81185
46	91	2.52681
47	91	2.11461
48	91	1.66868
49	91	1.09635
50	91	0.41838
51	91	-0.214314
52	91	-0.758984
53	91	-1.04844
54	91	-1.03742
55	91	-0.753132
56	91	-0.300678
57	91	0.218961
58	91	0.624687
59	91	0.932758
60	91	1.03819
61	91	0.929166
62	91	0.607366
63	91	-0.00163045
64	91	-0.91108
65	91	-2.15953
66	91	-3.66001
67	91	-5.12852
68	91	-5.9191
69	91	-5.47637
70	91	-4.17315
71	91	-2.72326
72	91	-1.53854
73	91	-0.696249
74	91	-0.24037
75	91	-0.142281
76	91	-0.435463
77	91	-1.19527
78	91	-2.45744
79	91	-4.392
80	91	-7.39182
81	91	-12.3138
82	91	-16.8148
83	91	-11.9437
84	91	-7.23468
85	91	-4.48558
86	91	-2.7863
87	91	-1.94664
88	91	-1.43543
89	91	-1.29842
90	91	-1.76758
91	91	-2.79993
92	91	-4.47376
93	91	-7.39783
94	91	-11.9445
95	91	-15.8674
96	91	-11.8723
97	91	-7.61246
98	91	-4.98904
99	91	-3.2363
100	91	-2.18868
101	91	-1.65189
102	91	-1.52433
103	91	-1.91563
104	91	-2.58889
105	91	-3.73873
106	91	-5.11519
107	91	-6.35839
108	91	-6.76732
109	91	-6.00987
110	91	-4.58847
111	91	-3.17372
112	91	-2.06154
113	91	-1.16375
114	91	-0.856377
115	91	-0.712925
116	91	-0.84588
117	91	-1.2467
118	91	-1.77649
119	91	-2.42917
120	91	-2.88961
121	91	-2.95863
122	91	-2.56525

123	91	-1.74824
124	91	-0.852156
125	91	0.038814
126	91	0.780178
127	91	1.36595
128	91	1.73316
129	91	1.93301
130	91	1.94194
131	91	1.77961
132	91	1.47177
133	91	1.08831
134	91	0.681313
135	91	0.285999
136	91	0.0110782
137	91	-0.016328
138	91	0.221994
139	91	0.656022
140	91	1.21728
141	91	1.87208
142	91	2.43725
143	91	2.99189
144	91	3.49428
145	91	3.84944
146	91	4.10507
147	91	4.26346
148	91	4.33387
149	91	4.30982
150	91	4.29392
151	91	4.10703
152	91	3.87058
153	91	3.63361
154	91	3.32652
155	91	3.10272
156	91	2.84246
157	91	2.67576
158	91	2.49998
159	91	2.35192
160	91	2.30095
161	91	2.31117
162	91	2.40912
163	91	2.49644
164	91	2.7061
165	91	2.85374
166	91	3.12262
167	91	3.23774
168	91	3.44331
169	91	3.61588
170	91	3.78164
171	91	3.93733
172	91	4.08021
173	91	4.17063
174	91	4.2762
175	91	4.35476
176	91	4.47998
177	91	4.48935
178	91	4.55634
179	91	4.5673
180	91	4.60159
-180	92	4.6189
-179	92	4.6261
-178	92	4.64159
-177	92	4.67824
-176	92	4.68489
-175	92	4.69846
-174	92	4.69161
-173	92	4.69049
-172	92	4.74054
-171	92	4.74777
-170	92	4.74396
-169	92	4.74462
-168	92	4.74562
-167	92	4.69646
-166	92	4.6964
-165	92	4.65033
-164	92	4.60229
-163	92	4.54509
-162	92	4.47258
-161	92	4.40498
-160	92	4.32462
-159	92	4.22105
-158	92	4.13647
-157	92	3.97305
-156	92	3.88378
-155	92	3.71268
-154	92	3.58339
-153	92	3.40204
-152	92	3.20321
-151	92	2.98287
-150	92	2.79508
-149	92	2.61082
-148	92	2.42131
-147	92	2.30402
-146	92	2.24551
-145	92	2.2037
-144	92	2.23874

-143	92	2.33233
-142	92	2.44527
-141	92	2.58917
-140	92	2.73584
-139	92	2.88977
-138	92	2.98508
-137	92	2.9989
-136	92	2.90142
-135	92	2.69009
-134	92	2.42247
-133	92	2.02698
-132	92	1.50814
-131	92	0.899564
-130	92	0.227836
-129	92	-0.453791
-128	92	-1.00971
-127	92	-1.32826
-126	92	-1.30991
-125	92	-0.938782
-124	92	-0.457052
-123	92	0.0864352
-122	92	0.548437
-121	92	0.851871
-120	92	0.967219
-119	92	0.86832
-118	92	0.535936
-117	92	-0.1383
-116	92	-1.05683
-115	92	-2.33396
-114	92	-3.92339
-113	92	-5.53272
-112	92	-6.45499
-111	92	-5.92641
-110	92	-4.48849
-109	92	-2.96819
-108	92	-1.72276
-107	92	-0.864174
-106	92	-0.364418
-105	92	-0.247063
-104	92	-0.55403
-103	92	-1.29588
-102	92	-2.51426
-101	92	-4.43915
-100	92	-7.4444
-99	92	-12.1894
-98	92	-15.6821
-97	92	-11.1362
-96	92	-7.1692
-95	92	-4.74082
-94	92	-3.01226
-93	92	-2.00459
-92	92	-1.64963
-91	92	-1.58954
-90	92	-1.91357
-89	92	-3.00168
-88	92	-4.49785
-87	92	-7.2585
-86	92	-11.8414
-85	92	-19.0625
-84	92	-14.1684
-83	92	-8.49819
-82	92	-5.31082
-81	92	-3.53737
-80	92	-2.39453
-79	92	-1.83759
-78	92	-1.72135
-77	92	-2.0443
-76	92	-2.94266
-75	92	-4.11515
-74	92	-5.6434
-73	92	-7.02534
-72	92	-7.32327
-71	92	-6.25081
-70	92	-4.58655
-69	92	-3.02784
-68	92	-1.87015
-67	92	-0.904475
-66	92	-0.542031
-65	92	-0.39731
-64	92	-0.51701
-63	92	-0.903461
-62	92	-1.50603
-61	92	-2.2288
-60	92	-2.8543
-59	92	-3.13918
-58	92	-2.86463
-57	92	-2.07972
-56	92	-1.11104
-55	92	-0.166482
-54	92	0.677896
-53	92	1.34897
-52	92	1.71522
-51	92	1.96496
-50	92	2.02686
-49	92	1.90913

-48	92	1.62841
-47	92	1.22613
-46	92	0.785869
-45	92	0.305935
-44	92	-0.0489336
-43	92	-0.206184
-42	92	-0.064397
-41	92	0.3285
-40	92	0.905955
-39	92	1.46783
-38	92	2.05086
-37	92	2.67438
-36	92	3.2148
-35	92	3.60696
-34	92	3.87862
-33	92	4.07704
-32	92	4.18872
-31	92	4.26283
-30	92	4.19384
-29	92	4.04954
-28	92	3.86917
-27	92	3.67499
-26	92	3.40709
-25	92	3.15211
-24	92	2.91987
-23	92	2.76521
-22	92	2.51939
-21	92	2.42381
-20	92	2.33966
-19	92	2.35704
-18	92	2.38325
-17	92	2.46725
-16	92	2.63074
-15	92	2.81756
-14	92	2.94886
-13	92	3.13185
-12	92	3.33837
-11	92	3.48322
-10	92	3.66292
-9	92	3.81087
-8	92	3.94669
-7	92	4.06418
-6	92	4.18241
-5	92	4.30816
-4	92	4.37339
-3	92	4.45054
-2	92	4.50688
-1	92	4.54142
0	92	4.57623
1	92	4.5997
2	92	4.64093
3	92	4.67935
4	92	4.68825
5	92	4.69594
6	92	4.69448
7	92	4.70921
8	92	4.73081
9	92	4.76214
10	92	4.75477
11	92	4.74626
12	92	4.73383
13	92	4.67814
14	92	4.66988
15	92	4.60966
16	92	4.5691
17	92	4.50486
18	92	4.43398
19	92	4.36581
20	92	4.29263
21	92	4.19568
22	92	4.11445
23	92	3.96985
24	92	3.86623
25	92	3.7004
26	92	3.57783
27	92	3.40424
28	92	3.22312
29	92	2.99697
30	92	2.84003
31	92	2.65243
32	92	2.46362
33	92	2.32598
34	92	2.23424
35	92	2.19477
36	92	2.20468
37	92	2.33391
38	92	2.42964
39	92	2.54948
40	92	2.69351
41	92	2.85093
42	92	2.94244
43	92	2.97458
44	92	2.88835
45	92	2.70142
46	92	2.45585

47	92	2.09294
48	92	1.59731
49	92	1.02202
50	92	0.393344
51	92	-0.271708
52	92	-0.825971
53	92	-1.1386
54	92	-1.13797
55	92	-0.861307
56	92	-0.408445
57	92	0.119021
58	92	0.555119
59	92	0.854236
60	92	0.986588
61	92	0.892156
62	92	0.538618
63	92	-0.0415631
64	92	-0.888051
65	92	-2.19574
66	92	-3.70035
67	92	-5.26876
68	92	-6.24134
69	92	-5.77986
70	92	-4.52039
71	92	-2.99244
72	92	-1.71859
73	92	-0.851979
74	92	-0.328385
75	92	-0.184044
76	92	-0.46579
77	92	-1.14029
78	92	-2.31447
79	92	-4.18054
80	92	-7.03614
81	92	-11.5062
82	92	-16.0699
83	92	-11.6641
84	92	-7.49154
85	92	-4.8881
86	92	-3.1737
87	92	-2.05896
88	92	-1.56475
89	92	-1.4026
90	92	-1.64906
91	92	-2.697
92	92	-4.31879
93	92	-7.12657
94	92	-11.4096
95	92	-17.7035
96	92	-13.8235
97	92	-8.39189
98	92	-5.2524
99	92	-3.53291
100	92	-2.38979
101	92	-1.81762
102	92	-1.6689
103	92	-1.9131
104	92	-2.68243
105	92	-3.74718
106	92	-5.10404
107	92	-6.38438
108	92	-6.82739
109	92	-6.10589
110	92	-4.7064
111	92	-3.27992
112	92	-2.14539
113	92	-1.21543
114	92	-0.871848
115	92	-0.728821
116	92	-0.838021
117	92	-1.18283
118	92	-1.69227
119	92	-2.3073
120	92	-2.80526
121	92	-2.86993
122	92	-2.47123
123	92	-1.70732
124	92	-0.801896
125	92	0.0547195
126	92	0.782392
127	92	1.41655
128	92	1.74618
129	92	1.95197
130	92	1.96067
131	92	1.80211
132	92	1.5108
133	92	1.10725
134	92	0.673415
135	92	0.243489
136	92	-0.0650593
137	92	-0.140157
138	92	0.0664691
139	92	0.506258
140	92	1.10252
141	92	1.69909

142	92	2.27481
143	92	2.87601
144	92	3.39609
145	92	3.76536
146	92	4.02564
147	92	4.21173
148	92	4.29048
149	92	4.34417
150	92	4.26704
151	92	4.10384
152	92	3.90576
153	92	3.69042
154	92	3.41209
155	92	3.18695
156	92	2.95256
157	92	2.81482
158	92	2.56454
159	92	2.45712
160	92	2.38687
161	92	2.4191
162	92	2.44776
163	92	2.57738
164	92	2.72139
165	92	2.90328
166	92	3.04199
167	92	3.23836
168	92	3.39962
169	92	3.57494
170	92	3.76691
171	92	3.89862
172	92	4.02823
173	92	4.13489
174	92	4.24328
175	92	4.36638
176	92	4.43639
177	92	4.5091
178	92	4.54488
179	92	4.58495
180	92	4.6189
-180	93	4.57038
-179	93	4.60085
-178	93	4.64262
-177	93	4.68638
-176	93	4.70292
-175	93	4.71982
-174	93	4.72039
-173	93	4.74544
-172	93	4.77392
-171	93	4.7921
-170	93	4.80624
-169	93	4.81274
-168	93	4.79526
-167	93	4.80075
-166	93	4.78411
-165	93	4.7657
-164	93	4.69159
-163	93	4.62899
-162	93	4.57531
-161	93	4.51177
-160	93	4.45667
-159	93	4.3059
-158	93	4.21181
-157	93	4.10036
-156	93	3.96287
-155	93	3.80739
-154	93	3.62393
-153	93	3.43325
-152	93	3.24027
-151	93	3.04771
-150	93	2.84439
-149	93	2.63324
-148	93	2.47704
-147	93	2.37208
-146	93	2.27828
-145	93	2.24649
-144	93	2.28318
-143	93	2.3639
-142	93	2.51714
-141	93	2.65016
-140	93	2.7842
-139	93	2.93533
-138	93	3.0214
-137	93	3.01617
-136	93	2.9862
-135	93	2.77452
-134	93	2.4868
-133	93	2.0742
-132	93	1.5633
-131	93	0.935957
-130	93	0.240146
-129	93	-0.453728
-128	93	-1.05984
-127	93	-1.41255
-126	93	-1.42174
-125	93	-1.10539

-124	93	-0.573817
-123	93	-0.0207698
-122	93	0.477318
-121	93	0.809635
-120	93	0.950863
-119	93	0.862636
-118	93	0.5186
-117	93	-0.115993
-116	93	-1.0082
-115	93	-2.25995
-114	93	-3.82572
-113	93	-5.53574
-112	93	-6.61311
-111	93	-6.35508
-110	93	-4.97368
-109	93	-3.39594
-108	93	-2.09465
-107	93	-1.15401
-106	93	-0.61992
-105	93	-0.487298
-104	93	-0.732048
-103	93	-1.43849
-102	93	-2.64693
-101	93	-4.60815
-100	93	-7.27376
-99	93	-11.4192
-98	93	-14.576
-97	93	-11.2875
-96	93	-7.43984
-95	93	-4.8059
-94	93	-3.03735
-93	93	-2.06705
-92	93	-1.73992
-91	93	-1.57869
-90	93	-1.96868
-89	93	-2.91192
-88	93	-4.38843
-87	93	-7.08225
-86	93	-11.6058
-85	93	-20.0615
-84	93	-15.1173
-83	93	-8.96348
-82	93	-5.69416
-81	93	-3.54091
-80	93	-2.33679
-79	93	-1.62353
-78	93	-1.79815
-77	93	-2.0278
-76	93	-2.74157
-75	93	-3.95625
-74	93	-5.34343
-73	93	-6.6812
-72	93	-7.0977
-71	93	-6.14341
-70	93	-4.61222
-69	93	-3.11964
-68	93	-1.95018
-67	93	-1.00539
-66	93	-0.567205
-65	93	-0.418184
-64	93	-0.517742
-63	93	-0.878559
-62	93	-1.47572
-61	93	-2.20862
-60	93	-2.84505
-59	93	-3.16229
-58	93	-2.90379
-57	93	-2.13394
-56	93	-1.15932
-55	93	-0.192363
-54	93	0.621738
-53	93	1.29581
-52	93	1.71749
-51	93	1.94573
-50	93	2.02255
-49	93	1.91194
-48	93	1.62422
-47	93	1.23303
-46	93	0.743626
-45	93	0.270509
-44	93	-0.142312
-43	93	-0.313909
-42	93	-0.227944
-41	93	0.124025
-40	93	0.659218
-39	93	1.2605
-38	93	1.91673
-37	93	2.56998
-36	93	3.09918
-35	93	3.49786
-34	93	3.8141
-33	93	4.02034
-32	93	4.1708
-31	93	4.22586
-30	93	4.16129

-29	93	4.0729
-28	93	3.91996
-27	93	3.72029
-26	93	3.46841
-25	93	3.26809
-24	93	3.09383
-23	93	2.8241
-22	93	2.62754
-21	93	2.50194
-20	93	2.45431
-19	93	2.44468
-18	93	2.46511
-17	93	2.5395
-16	93	2.67005
-15	93	2.77444
-14	93	2.92089
-13	93	3.10747
-12	93	3.28861
-11	93	3.39859
-10	93	3.58714
-9	93	3.74768
-8	93	3.84579
-7	93	4.00847
-6	93	4.13153
-5	93	4.25577
-4	93	4.30894
-3	93	4.39782
-2	93	4.46775
-1	93	4.50754
0	93	4.53384
1	93	4.55931
2	93	4.60585
3	93	4.6541
4	93	4.69488
5	93	4.71137
6	93	4.71102
7	93	4.73641
8	93	4.74941
9	93	4.78947
10	93	4.79799
11	93	4.79443
12	93	4.77221
13	93	4.76309
14	93	4.74858
15	93	4.71333
16	93	4.65154
17	93	4.59227
18	93	4.52269
19	93	4.45573
20	93	4.40504
21	93	4.27288
22	93	4.17297
23	93	4.06474
24	93	3.9318
25	93	3.79228
26	93	3.60801
27	93	3.44547
28	93	3.25027
29	93	3.06695
30	93	2.91619
31	93	2.71468
32	93	2.54089
33	93	2.39708
34	93	2.29474
35	93	2.24755
36	93	2.25536
37	93	2.3843
38	93	2.50025
39	93	2.59373
40	93	2.72232
41	93	2.8586
42	93	2.94038
43	93	2.94318
44	93	2.92319
45	93	2.72668
46	93	2.46127
47	93	2.07563
48	93	1.59862
49	93	1.00335
50	93	0.346365
51	93	-0.327522
52	93	-0.930938
53	93	-1.24212
54	93	-1.28532
55	93	-0.986008
56	93	-0.504075
57	93	0.0251864
58	93	0.485221
59	93	0.8171
60	93	1.12033
61	93	0.878722
62	93	0.560587
63	93	-0.0327959
64	93	-0.865543
65	93	-2.14269

66	93	-3.6744
67	93	-5.32788
68	93	-6.4124
69	93	-6.21091
70	93	-4.91924
71	93	-3.3632
72	93	-2.0271
73	93	-1.09586
74	93	-0.557995
75	93	-0.39741
76	93	-0.623122
77	93	-1.26402
78	93	-2.42615
79	93	-4.31724
80	93	-6.88447
81	93	-10.8422
82	93	-14.5812
83	93	-11.7475
84	93	-7.70084
85	93	-4.92184
86	93	-3.08537
87	93	-2.10235
88	93	-1.59626
89	93	-1.31841
90	93	-1.65767
91	93	-2.5512
92	93	-4.16064
93	93	-6.93441
94	93	-11.2726
95	93	-18.2149
96	93	-14.7503
97	93	-9.02247
98	93	-5.68065
99	93	-3.59718
100	93	-2.36307
101	93	-1.64587
102	93	-1.80087
103	93	-1.99508
104	93	-2.59469
105	93	-3.74613
106	93	-5.03398
107	93	-6.28954
108	93	-6.78471
109	93	-6.14243
110	93	-4.78026
111	93	-3.39972
112	93	-2.26124
113	93	-1.30386
114	93	-0.871463
115	93	-0.731652
116	93	-0.822948
117	93	-1.14181
118	93	-1.64167
119	93	-2.27132
120	93	-2.71754
121	93	-2.84968
122	93	-2.52717
123	93	-1.76962
124	93	-0.868028
125	93	0.0231755
126	93	0.744321
127	93	1.33207
128	93	1.72307
129	93	1.91717
130	93	1.94229
131	93	1.79378
132	93	1.51459
133	93	1.11126
134	93	0.651867
135	93	0.201414
136	93	-0.134177
137	93	-0.246383
138	93	-0.0697684
139	93	0.329029
140	93	0.892507
141	93	1.52548
142	93	2.15378
143	93	2.77829
144	93	3.27898
145	93	3.64718
146	93	3.95219
147	93	4.13967
148	93	4.26811
149	93	4.29263
150	93	4.22326
151	93	4.12247
152	93	3.95643
153	93	3.74101
154	93	3.47909
155	93	3.26243
156	93	3.0906
157	93	2.83835
158	93	2.64075
159	93	2.51696
160	93	2.46388

161	93	2.4354
162	93	2.4516
163	93	2.55225
164	93	2.70575
165	93	2.8155
166	93	2.96557
167	93	3.15954
168	93	3.32565
169	93	3.45296
170	93	3.64006
171	93	3.7961
172	93	3.89516
173	93	4.06159
174	93	4.18809
175	93	4.30596
176	93	4.35521
177	93	4.44479
178	93	4.50638
179	93	4.55552
180	93	4.57038
-180	94	4.46919
-179	94	4.51726
-178	94	4.56254
-177	94	4.61927
-176	94	4.64187
-175	94	4.68932
-174	94	4.67768
-173	94	4.70271
-172	94	4.72665
-171	94	4.7409
-170	94	4.77648
-169	94	4.76414
-168	94	4.77749
-167	94	4.78181
-166	94	4.78474
-165	94	4.78661
-164	94	4.71733
-163	94	4.65165
-162	94	4.63516
-161	94	4.54934
-160	94	4.48556
-159	94	4.41276
-158	94	4.26205
-157	94	4.17964
-156	94	4.0262
-155	94	3.86662
-154	94	3.69002
-153	94	3.48765
-152	94	3.29479
-151	94	3.0814
-150	94	2.87028
-149	94	2.6869
-148	94	2.51107
-147	94	2.38373
-146	94	2.29949
-145	94	2.31515
-144	94	2.34836
-143	94	2.39448
-142	94	2.56405
-141	94	2.75985
-140	94	2.8999
-139	94	3.02749
-138	94	3.12643
-137	94	3.13204
-136	94	3.08194
-135	94	2.91174
-134	94	2.60781
-133	94	2.21292
-132	94	1.69355
-131	94	1.06705
-130	94	0.343881
-129	94	-0.37703
-128	94	-1.04771
-127	94	-1.44538
-126	94	-1.48367
-125	94	-1.20934
-124	94	-0.70948
-123	94	-0.12909
-122	94	0.382142
-121	94	0.74882
-120	94	0.917445
-119	94	0.860967
-118	94	0.558026
-117	94	-0.0342928
-116	94	-0.884077
-115	94	-2.09214
-114	94	-3.61429
-113	94	-5.29756
-112	94	-6.63913
-111	94	-6.65292
-110	94	-5.40417
-109	94	-3.83114
-108	94	-2.48487
-107	94	-1.52025
-106	94	-0.95257

-105	94	-0.763856
-104	94	-1.18364
-103	94	-1.83839
-102	94	-2.98191
-101	94	-4.76002
-100	94	-7.34016
-99	94	-11.4314
-98	94	-14.7567
-97	94	-11.4904
-96	94	-7.60803
-95	94	-4.98672
-94	94	-3.28345
-93	94	-2.23237
-92	94	-1.83734
-91	94	-1.66007
-90	94	-2.05122
-89	94	-2.97827
-88	94	-4.50282
-87	94	-7.14121
-86	94	-11.7121
-85	94	-21.2922
-84	94	-15.7174
-83	94	-9.21419
-82	94	-5.63173
-81	94	-3.59928
-80	94	-2.28716
-79	94	-1.5768
-78	94	-1.34691
-77	94	-1.54186
-76	94	-2.11118
-75	94	-3.56587
-74	94	-4.9935
-73	94	-6.36628
-72	94	-6.96045
-71	94	-6.28643
-70	94	-4.85763
-69	94	-3.37083
-68	94	-2.14882
-67	94	-1.22529
-66	94	-0.686369
-65	94	-0.510783
-64	94	-0.572049
-63	94	-0.908725
-62	94	-1.48998
-61	94	-2.19204
-60	94	-2.85566
-59	94	-3.20148
-58	94	-2.96983
-57	94	-2.24865
-56	94	-1.26975
-55	94	-0.296054
-54	94	0.550774
-53	94	1.20695
-52	94	1.67622
-51	94	1.9133
-50	94	1.97092
-49	94	1.87566
-48	94	1.64584
-47	94	1.24059
-46	94	0.738552
-45	94	0.216832
-44	94	-0.218184
-43	94	-0.444476
-42	94	-0.419521
-41	94	-0.0648372
-40	94	0.412176
-39	94	1.09772
-38	94	1.79392
-37	94	2.42021
-36	94	2.97047
-35	94	3.39475
-34	94	3.70705
-33	94	4.00355
-32	94	4.15852
-31	94	4.18155
-30	94	4.17639
-29	94	4.09745
-28	94	3.99679
-27	94	3.7768
-26	94	3.57685
-25	94	3.40441
-24	94	3.18941
-23	94	2.89746
-22	94	2.70833
-21	94	2.57147
-20	94	2.51955
-19	94	2.43136
-18	94	2.42758
-17	94	2.50127
-16	94	2.61236
-15	94	2.65578
-14	94	2.80464
-13	94	2.96755
-12	94	3.16726
-11	94	3.26871

-10	94	3.41708
-9	94	3.62672
-8	94	3.70255
-7	94	3.84801
-6	94	4.00629
-5	94	4.10597
-4	94	4.19057
-3	94	4.26595
-2	94	4.34461
-1	94	4.38842
0	94	4.41294
1	94	4.4718
2	94	4.53229
3	94	4.59046
4	94	4.62961
5	94	4.66088
6	94	4.66757
7	94	4.68213
8	94	4.6946
9	94	4.72048
10	94	4.77812
11	94	4.72629
12	94	4.73152
13	94	4.72208
14	94	4.71781
15	94	4.71365
16	94	4.64924
17	94	4.59172
18	94	4.56539
19	94	4.4675
20	94	4.41041
21	94	4.33851
22	94	4.21512
23	94	4.12039
24	94	3.98599
25	94	3.84025
26	94	3.67622
27	94	3.49019
28	94	3.29069
29	94	3.09136
30	94	2.91359
31	94	2.74081
32	94	2.55062
33	94	2.43478
34	94	2.31968
35	94	2.33969
36	94	2.34614
37	94	2.4605
38	94	2.56574
39	94	2.71899
40	94	2.8501
41	94	2.95903
42	94	3.04948
43	94	3.06296
44	94	3.01423
45	94	2.84375
46	94	2.55199
47	94	2.17534
48	94	1.69662
49	94	1.09621
50	94	0.412884
51	94	-0.287884
52	94	-0.921544
53	94	-1.34197
54	94	-1.40566
55	94	-1.15237
56	94	-0.696006
57	94	-0.132762
58	94	0.368997
59	94	0.74118
60	94	0.907529
61	94	0.852535
62	94	0.590224
63	94	0.0358029
64	94	-0.837079
65	94	-2.00203
66	94	-3.45473
67	94	-5.10378
68	94	-6.39114
69	94	-6.45259
70	94	-5.18614
71	94	-3.73546
72	94	-2.3655
73	94	-1.39875
74	94	-0.819554
75	94	-0.622714
76	94	-1.01768
77	94	-1.62631
78	94	-2.72593
79	94	-4.39924
80	94	-6.92566
81	94	-10.8445
82	94	-14.5061
83	94	-11.899
84	94	-7.88579

85	94	-5.12514
86	94	-3.36765
87	94	-2.2647
88	94	-1.70479
89	94	-1.39801
90	94	-1.69176
91	94	-2.57875
92	94	-4.24387
93	94	-6.90968
94	94	-11.2817
95	94	-19.0456
96	94	-15.6189
97	94	-9.37896
98	94	-5.76781
99	94	-3.71855
100	94	-2.45026
101	94	-1.7008
102	94	-1.43922
103	94	-1.60973
104	94	-2.11821
105	94	-3.5459
106	94	-4.87571
107	94	-6.15287
108	94	-6.73921
109	94	-6.22661
110	94	-4.95246
111	94	-3.57977
112	94	-2.40288
113	94	-1.51771
114	94	-0.94889
115	94	-0.755725
116	94	-0.810556
117	94	-1.10999
118	94	-1.59594
119	94	-2.22175
120	94	-2.69795
121	94	-2.88187
122	94	-2.57783
123	94	-1.85659
124	94	-0.976158
125	94	-0.0852739
126	94	0.638959
127	94	1.21887
128	94	1.6546
129	94	1.8579
130	94	1.87165
131	94	1.75797
132	94	1.50753
133	94	1.10712
134	94	0.643354
135	94	0.172103
136	94	-0.188684
137	94	-0.3621
138	94	-0.249877
139	94	0.120068
140	94	0.649872
141	94	1.31068
142	94	1.99755
143	94	2.61089
144	94	3.12339
145	94	3.52311
146	94	3.80218
147	94	4.07011
148	94	4.19455
149	94	4.26165
150	94	4.20138
151	94	4.10947
152	94	3.97797
153	94	3.73148
154	94	3.52736
155	94	3.35659
156	94	3.14606
157	94	2.86208
158	94	2.64984
159	94	2.52939
160	94	2.46635
161	94	2.38267
162	94	2.3813
163	94	2.46916
164	94	2.61295
165	94	2.67179
166	94	2.8102
167	94	2.99593
168	94	3.17895
169	94	3.31058
170	94	3.45192
171	94	3.65135
172	94	3.74507
173	94	3.90527
174	94	4.04718
175	94	4.14896
176	94	4.23465
177	94	4.32164
178	94	4.38812
179	94	4.43628

180	94	4.46919
-180	95	4.2665
-179	95	4.33555
-178	95	4.39604
-177	95	4.45535
-176	95	4.49298
-175	95	4.53741
-174	95	4.54162
-173	95	4.57371
-172	95	4.59058
-171	95	4.60027
-170	95	4.63439
-169	95	4.64434
-168	95	4.68567
-167	95	4.69381
-166	95	4.69433
-165	95	4.71115
-164	95	4.66548
-163	95	4.59869
-162	95	4.55398
-161	95	4.52359
-160	95	4.4603
-159	95	4.37677
-158	95	4.28735
-157	95	4.15215
-156	95	3.9961
-155	95	3.85063
-154	95	3.67581
-153	95	3.48285
-152	95	3.29027
-151	95	3.07222
-150	95	2.86937
-149	95	2.67762
-148	95	2.54314
-147	95	2.40817
-146	95	2.29677
-145	95	2.2835
-144	95	2.31678
-143	95	2.47667
-142	95	2.60478
-141	95	2.76632
-140	95	2.95673
-139	95	3.11071
-138	95	3.19138
-137	95	3.21932
-136	95	3.16604
-135	95	3.06201
-134	95	2.75883
-133	95	2.38436
-132	95	1.87597
-131	95	1.25911
-130	95	0.55341
-129	95	-0.183192
-128	95	-0.864166
-127	95	-1.32841
-126	95	-1.46273
-125	95	-1.24911
-124	95	-0.777467
-123	95	-0.210895
-122	95	0.315019
-121	95	0.702641
-120	95	0.889104
-119	95	0.86436
-118	95	0.600739
-117	95	0.0479767
-116	95	-0.749273
-115	95	-1.89251
-114	95	-3.3481
-113	95	-5.01226
-112	95	-6.4157
-111	95	-6.67712
-110	95	-5.61198
-109	95	-4.13563
-108	95	-2.92177
-107	95	-1.98512
-106	95	-1.3985
-105	95	-1.19343
-104	95	-1.3774
-103	95	-1.98544
-102	95	-3.09778
-101	95	-4.8239
-100	95	-7.34523
-99	95	-11.3701
-98	95	-15.1411
-97	95	-12.193
-96	95	-8.09523
-95	95	-5.36482
-94	95	-3.5669
-93	95	-2.51118
-92	95	-2.11454
-91	95	-1.9192
-90	95	-2.27166
-89	95	-3.16134
-88	95	-4.64779
-87	95	-7.30582

-86	95	-11.8819
-85	95	-22.2249
-84	95	-15.7186
-83	95	-9.18266
-82	95	-5.67917
-81	95	-3.50112
-80	95	-2.12866
-79	95	-1.49088
-78	95	-1.2053
-77	95	-1.34356
-76	95	-1.95188
-75	95	-2.94699
-74	95	-4.42147
-73	95	-6.10365
-72	95	-7.39252
-71	95	-6.63365
-70	95	-5.27844
-69	95	-3.76539
-68	95	-2.46679
-67	95	-1.52201
-66	95	-0.878557
-65	95	-0.623686
-64	95	-0.658432
-63	95	-0.969404
-62	95	-1.50998
-61	95	-2.18255
-60	95	-2.84965
-59	95	-3.19659
-58	95	-3.02819
-57	95	-2.33773
-56	95	-1.36603
-55	95	-0.400571
-54	95	0.459804
-53	95	1.1294
-52	95	1.59828
-51	95	1.87866
-50	95	1.97898
-49	95	1.88898
-48	95	1.67339
-47	95	1.24846
-46	95	0.749744
-45	95	0.196041
-44	95	-0.264351
-43	95	-0.556487
-42	95	-0.527958
-41	95	-0.275396
-40	95	0.267675
-39	95	0.903611
-38	95	1.60411
-37	95	2.26632
-36	95	2.83291
-35	95	3.28698
-34	95	3.68336
-33	95	3.94812
-32	95	4.11248
-31	95	4.18308
-30	95	4.20385
-29	95	4.17149
-28	95	3.99142
-27	95	3.83463
-26	95	3.66443
-25	95	3.52524
-24	95	3.18966
-23	95	2.94627
-22	95	2.71654
-21	95	2.58684
-20	95	2.45312
-19	95	2.35355
-18	95	2.31154
-17	95	2.35096
-16	95	2.4746
-15	95	2.46704
-14	95	2.58223
-13	95	2.74205
-12	95	2.9234
-11	95	3.10817
-10	95	3.14912
-9	95	3.36349
-8	95	3.47846
-7	95	3.66979
-6	95	3.77084
-5	95	3.89445
-4	95	4.00086
-3	95	4.09889
-2	95	4.18375
-1	95	4.21863
0	95	4.2563
1	95	4.31091
2	95	4.38924
3	95	4.4415
4	95	4.50579
5	95	4.52239
6	95	4.53152
7	95	4.55158
8	95	4.55991

9	95	4.60106
10	95	4.61662
11	95	4.6115
12	95	4.64078
13	95	4.62449
14	95	4.62401
15	95	4.64302
16	95	4.58922
17	95	4.53355
18	95	4.49423
19	95	4.43578
20	95	4.36774
21	95	4.28223
22	95	4.17791
23	95	4.07286
24	95	3.93806
25	95	3.7948
26	95	3.63228
27	95	3.45235
28	95	3.25456
29	95	3.07194
30	95	2.88893
31	95	2.7136
32	95	2.58998
33	95	2.45256
34	95	2.3149
35	95	2.28537
36	95	2.31499
37	95	2.44979
38	95	2.59637
39	95	2.72876
40	95	2.90989
41	95	3.04186
42	95	3.11947
43	95	3.15847
44	95	3.1173
45	95	3.00947
46	95	2.70734
47	95	2.34002
48	95	1.86223
49	95	1.27539
50	95	0.587579
51	95	-0.136247
52	95	-0.818592
53	95	-1.28838
54	95	-1.45684
55	95	-1.25492
56	95	-0.797871
57	95	-0.27478
58	95	0.245247
59	95	0.628691
60	95	0.822033
61	95	0.810079
62	95	0.569796
63	95	0.0434798
64	95	-0.726722
65	95	-1.87382
66	95	-3.27361
67	95	-4.86466
68	95	-6.18716
69	95	-6.41199
70	95	-5.45455
71	95	-3.97279
72	95	-2.7596
73	95	-1.81753
74	95	-1.20765
75	95	-0.98364
76	95	-1.12739
77	95	-1.70365
78	95	-2.77467
79	95	-4.39435
80	95	-6.81132
81	95	-10.6306
82	95	-14.8313
83	95	-12.5856
84	95	-8.40195
85	95	-5.57427
86	95	-3.64792
87	95	-2.52796
88	95	-1.97029
89	95	-1.62431
90	95	-1.90479
91	95	-2.75132
92	95	-4.35795
93	95	-7.05953
94	95	-11.4692
95	95	-20.0265
96	95	-16.0405
97	95	-9.54222
98	95	-6.03827
99	95	-3.77773
100	95	-2.38994
101	95	-1.72345
102	95	-1.3993
103	95	-1.51383

104	95	-2.05896
105	95	-3.01974
106	95	-4.4225
107	95	-5.98874
108	95	-7.1978
109	95	-6.45844
110	95	-5.23101
111	95	-3.82972
112	95	-2.57973
113	95	-1.70444
114	95	-1.08424
115	95	-0.833411
116	95	-0.85345
117	95	-1.11904
118	95	-1.58268
119	95	-2.17932
120	95	-2.65095
121	95	-2.85302
122	95	-2.61806
123	95	-1.94951
124	95	-1.07645
125	95	-0.218545
126	95	0.530454
127	95	1.1362
128	95	1.56715
129	95	1.82063
130	95	1.87653
131	95	1.75604
132	95	1.53713
133	95	1.11491
134	95	0.638452
135	95	0.133996
136	95	-0.270496
137	95	-0.477605
138	95	-0.386923
139	95	-0.0946686
140	95	0.44383
141	95	1.13984
142	95	1.80109
143	95	2.40046
144	95	2.91671
145	95	3.33328
146	95	3.69778
147	95	3.94765
148	95	4.09481
149	95	4.15442
150	95	4.15842
151	95	4.11731
152	95	3.97548
153	95	3.76134
154	95	3.58812
155	95	3.44155
156	95	3.09483
157	95	2.87353
158	95	2.65437
159	95	2.51043
160	95	2.36461
161	95	2.28106
162	95	2.24195
163	95	2.30756
164	95	2.44032
165	95	2.45663
166	95	2.58805
167	95	2.75392
168	95	2.91122
169	95	3.11091
170	95	3.17979
171	95	3.39764
172	95	3.52596
173	95	3.72576
174	95	3.82568
175	95	3.94746
176	95	4.04382
177	95	4.12877
178	95	4.20643
179	95	4.2519
180	95	4.2665
-180	96	4.08627
-179	96	4.13472
-178	96	4.20062
-177	96	4.26621
-176	96	4.30142
-175	96	4.34852
-174	96	4.36371
-173	96	4.38005
-172	96	4.39193
-171	96	4.40201
-170	96	4.40269
-169	96	4.48501
-168	96	4.49245
-167	96	4.51367
-166	96	4.53626
-165	96	4.54093
-164	96	4.5252
-163	96	4.46162

-162	96	4.43785
-161	96	4.37335
-160	96	4.35651
-159	96	4.27651
-158	96	4.16177
-157	96	4.0376
-156	96	3.90644
-155	96	3.75509
-154	96	3.5772
-153	96	3.3873
-152	96	3.20139
-151	96	2.9874
-150	96	2.77164
-149	96	2.5689
-148	96	2.41356
-147	96	2.29545
-146	96	2.25522
-145	96	2.22954
-144	96	2.26176
-143	96	2.41199
-142	96	2.61576
-141	96	2.76674
-140	96	2.91481
-139	96	3.07005
-138	96	3.18501
-137	96	3.23155
-136	96	3.19932
-135	96	3.09381
-134	96	2.85744
-133	96	2.47125
-132	96	2.00878
-131	96	1.40836
-130	96	0.730447
-129	96	-0.000338771
-128	96	-0.679898
-127	96	-1.15807
-126	96	-1.35311
-125	96	-1.18975
-124	96	-0.780039
-123	96	-0.242828
-122	96	0.267627
-121	96	0.665546
-120	96	0.878679
-119	96	0.885348
-118	96	0.649717
-117	96	0.130044
-116	96	-0.631653
-115	96	-1.71184
-114	96	-3.10247
-113	96	-4.68217
-112	96	-5.69191
-111	96	-6.12915
-110	96	-5.49102
-109	96	-4.28346
-108	96	-3.06152
-107	96	-2.12451
-106	96	-1.51324
-105	96	-1.28131
-104	96	-1.43725
-103	96	-2.00235
-102	96	-3.04623
-101	96	-4.71097
-100	96	-7.09401
-99	96	-10.9215
-98	96	-15.1942
-97	96	-12.8236
-96	96	-8.75447
-95	96	-5.87954
-94	96	-4.01453
-93	96	-2.91338
-92	96	-2.31736
-91	96	-2.22732
-90	96	-2.49267
-89	96	-3.45261
-88	96	-4.62283
-87	96	-7.43457
-86	96	-12.0319
-85	96	-21.4239
-84	96	-15.8579
-83	96	-9.2856
-82	96	-5.71101
-81	96	-3.5805
-80	96	-2.25199
-79	96	-1.36339
-78	96	-1.23239
-77	96	-1.32746
-76	96	-1.8826
-75	96	-2.89861
-74	96	-4.33152
-73	96	-6.31989
-72	96	-7.64781
-71	96	-7.79056
-70	96	-6.41343
-69	96	-4.6002
-68	96	-2.99627

-67	96	-1.72823
-66	96	-1.07268
-65	96	-0.70659
-64	96	-0.691844
-63	96	-0.937801
-62	96	-1.41305
-61	96	-2.04282
-60	96	-2.68327
-59	96	-3.08339
-58	96	-2.98208
-57	96	-2.38668
-56	96	-1.50033
-55	96	-0.551055
-54	96	0.310688
-53	96	0.982663
-52	96	1.48538
-51	96	1.78792
-50	96	1.92515
-49	96	1.86261
-48	96	1.6143
-47	96	1.22395
-46	96	0.728413
-45	96	0.19016
-44	96	-0.328731
-43	96	-0.637031
-42	96	-0.684422
-41	96	-0.463863
-40	96	0.0502865
-39	96	0.709888
-38	96	1.42001
-37	96	2.06821
-36	96	2.59416
-35	96	3.1439
-34	96	3.53555
-33	96	3.82174
-32	96	4.01043
-31	96	4.11946
-30	96	4.14763
-29	96	4.06968
-28	96	4.03394
-27	96	3.83489
-26	96	3.72906
-25	96	3.4283
-24	96	3.16034
-23	96	2.87626
-22	96	2.66765
-21	96	2.46096
-20	96	2.30414
-19	96	2.17339
-18	96	2.11418
-17	96	2.13053
-16	96	2.22951
-15	96	2.19717
-14	96	2.31033
-13	96	2.44551
-12	96	2.64421
-11	96	2.80376
-10	96	2.92218
-9	96	3.11337
-8	96	3.24108
-7	96	3.41383
-6	96	3.54497
-5	96	3.68677
-4	96	3.79058
-3	96	3.88731
-2	96	3.97724
-1	96	4.03161
0	96	4.0827
1	96	4.12471
2	96	4.19038
3	96	4.25042
4	96	4.29124
5	96	4.32998
6	96	4.35596
7	96	4.3791
8	96	4.39386
9	96	4.40724
10	96	4.39629
11	96	4.47162
12	96	4.46837
13	96	4.47523
14	96	4.49049
15	96	4.50817
16	96	4.46749
17	96	4.42402
18	96	4.39545
19	96	4.32344
20	96	4.29127
21	96	4.2067
22	96	4.09441
23	96	3.98115
24	96	3.85361
25	96	3.70657
26	96	3.53982
27	96	3.3619

28	96	3.17753
29	96	2.9786
30	96	2.77299
31	96	2.57299
32	96	2.4216
33	96	2.29759
34	96	2.23227
35	96	2.22155
36	96	2.2387
37	96	2.37989
38	96	2.52219
39	96	2.72252
40	96	2.87159
41	96	3.0268
42	96	3.12999
43	96	3.18339
44	96	3.15382
45	96	3.06079
46	96	2.81363
47	96	2.45917
48	96	2.02289
49	96	1.44433
50	96	0.772709
51	96	0.0537883
52	96	-0.653076
53	96	-1.15182
54	96	-1.36351
55	96	-1.22975
56	96	-0.84755
57	96	-0.347104
58	96	0.154409
59	96	0.548902
60	96	0.775677
61	96	0.792005
62	96	0.548273
63	96	0.0783363
64	96	-0.6897
65	96	-1.76141
66	96	-3.11776
67	96	-4.67956
68	96	-5.58878
69	96	-5.86181
70	96	-5.31735
71	96	-4.09089
72	96	-2.86503
73	96	-1.92152
74	96	-1.30365
75	96	-1.04555
76	96	-1.13891
77	96	-1.67711
78	96	-2.68898
79	96	-4.26581
80	96	-6.57924
81	96	-10.1829
82	96	-14.4906
83	96	-13.0365
84	96	-8.93814
85	96	-6.01791
86	96	-4.03715
87	96	-2.8397
88	96	-2.12836
89	96	-1.89541
90	96	-2.07888
91	96	-2.96327
92	96	-4.2938
93	96	-7.26675
94	96	-11.6499
95	96	-19.6427
96	96	-16.1257
97	96	-9.77884
98	96	-6.09513
99	96	-3.90259
100	96	-2.51937
101	96	-1.64046
102	96	-1.46181
103	96	-1.52836
104	96	-2.03089
105	96	-2.99625
106	96	-4.30497
107	96	-6.12205
108	96	-7.2595
109	96	-7.37046
110	96	-6.16319
111	96	-4.55645
112	96	-3.05254
113	96	-1.84848
114	96	-1.21156
115	96	-0.87748
116	96	-0.847116
117	96	-1.07505
118	96	-1.49567
119	96	-2.063
120	96	-2.56383
121	96	-2.84843
122	96	-2.67316

123	96	-2.08172
124	96	-1.26171
125	96	-0.388627
126	96	0.379195
127	96	1.00645
128	96	1.45749
129	96	1.73567
130	96	1.83055
131	96	1.7481
132	96	1.48959
133	96	1.10026
134	96	0.630551
135	96	0.120556
136	96	-0.333719
137	96	-0.59728
138	96	-0.602435
139	96	-0.34815
140	96	0.193307
141	96	0.845144
142	96	1.52696
143	96	2.14249
144	96	2.67484
145	96	3.16406
146	96	3.52167
147	96	3.79871
148	96	3.96618
149	96	4.06394
150	96	4.08896
151	96	4.00368
152	96	3.9247
153	96	3.75175
154	96	3.6475
155	96	3.32991
156	96	3.08713
157	96	2.80657
158	96	2.58964
159	96	2.39615
160	96	2.25467
161	96	2.13768
162	96	2.06893
163	96	2.11131
164	96	2.22304
165	96	2.19399
166	96	2.31384
167	96	2.47119
168	96	2.64026
169	96	2.82377
170	96	2.96993
171	96	3.1462
172	96	3.28863
173	96	3.46227
174	96	3.60354
175	96	3.74114
176	96	3.81529
177	96	3.92274
178	96	3.98792
179	96	4.05414
180	96	4.08627
-180	97	3.92262
-179	97	3.97444
-178	97	4.0333
-177	97	4.09443
-176	97	4.12048
-175	97	4.15259
-174	97	4.18402
-173	97	4.19962
-172	97	4.20793
-171	97	4.20157
-170	97	4.23153
-169	97	4.29364
-168	97	4.32132
-167	97	4.30188
-166	97	4.3511
-165	97	4.36193
-164	97	4.32161
-163	97	4.29902
-162	97	4.26958
-161	97	4.20892
-160	97	4.18769
-159	97	4.11405
-158	97	4.02035
-157	97	3.89282
-156	97	3.75468
-155	97	3.61882
-154	97	3.43562
-153	97	3.23144
-152	97	3.04258
-151	97	2.83997
-150	97	2.60984
-149	97	2.39118
-148	97	2.24607
-147	97	2.10597
-146	97	2.04182
-145	97	2.03325
-144	97	2.12794

-143	97	2.26497
-142	97	2.4572
-141	97	2.62287
-140	97	2.78758
-139	97	2.98405
-138	97	3.09229
-137	97	3.15427
-136	97	3.13557
-135	97	3.03039
-134	97	2.83508
-133	97	2.46461
-132	97	2.0102
-131	97	1.43732
-130	97	0.777577
-129	97	0.0658851
-128	97	-0.584682
-127	97	-1.06757
-126	97	-1.26225
-125	97	-1.11897
-124	97	-0.720476
-123	97	-0.213377
-122	97	0.276884
-121	97	0.662767
-120	97	0.878688
-119	97	0.923343
-118	97	0.69623
-117	97	0.213626
-116	97	-0.597868
-115	97	-1.56384
-114	97	-2.77605
-113	97	-4.1428
-112	97	-5.38672
-111	97	-5.91165
-110	97	-5.37779
-109	97	-4.25075
-108	97	-3.07395
-107	97	-2.1313
-106	97	-1.51431
-105	97	-1.2705
-104	97	-1.39215
-103	97	-1.90801
-102	97	-2.88709
-101	97	-4.47769
-100	97	-6.7007
-99	97	-10.2923
-98	97	-14.455
-97	97	-13.504
-96	97	-9.203
-95	97	-6.31058
-94	97	-4.40234
-93	97	-3.29962
-92	97	-2.59483
-91	97	-2.40636
-90	97	-2.56846
-89	97	-3.45922
-88	97	-4.84135
-87	97	-7.07939
-86	97	-11.5786
-85	97	-19.1862
-84	97	-16.0927
-83	97	-9.56678
-82	97	-5.99585
-81	97	-3.84867
-80	97	-2.48452
-79	97	-1.65881
-78	97	-1.24251
-77	97	-1.46296
-76	97	-1.98592
-75	97	-2.9561
-74	97	-4.42202
-73	97	-6.21523
-72	97	-8.08121
-71	97	-8.15255
-70	97	-6.7369
-69	97	-4.86839
-68	97	-3.18166
-67	97	-1.95487
-66	97	-1.16278
-65	97	-0.55873
-64	97	-0.39736
-63	97	-0.826601
-62	97	-1.2622
-61	97	-1.85626
-60	97	-2.5144
-59	97	-3.00498
-58	97	-3.03689
-57	97	-2.55376
-56	97	-1.73012
-55	97	-0.78684
-54	97	0.0708442
-53	97	0.759075
-52	97	1.30457
-51	97	1.63715
-50	97	1.79267
-49	97	1.77179

-48	97	1.58546
-47	97	1.22185
-46	97	0.778997
-45	97	0.224448
-44	97	-0.319496
-43	97	-0.70734
-42	97	-0.844252
-41	97	-0.647587
-40	97	-0.15739
-39	97	0.465404
-38	97	1.13826
-37	97	1.79718
-36	97	2.38952
-35	97	2.90733
-34	97	3.32157
-33	97	3.64309
-32	97	3.86028
-31	97	3.94496
-30	97	3.98433
-29	97	4.01301
-28	97	3.87638
-27	97	3.81105
-26	97	3.57289
-25	97	3.3368
-24	97	3.07797
-23	97	2.81658
-22	97	2.55807
-21	97	2.34118
-20	97	2.16656
-19	97	2.01837
-18	97	1.95774
-17	97	1.95168
-16	97	2.03021
-15	97	1.97754
-14	97	2.13807
-13	97	2.24458
-12	97	2.41623
-11	97	2.58146
-10	97	2.73347
-9	97	2.88491
-8	97	3.05326
-7	97	3.19465
-6	97	3.36123
-5	97	3.54415
-4	97	3.62212
-3	97	3.73687
-2	97	3.83174
-1	97	3.88435
0	97	3.92476
1	97	3.97902
2	97	4.05002
3	97	4.10719
4	97	4.13868
5	97	4.168
6	97	4.19337
7	97	4.21641
8	97	4.23596
9	97	4.26778
10	97	4.26109
11	97	4.32067
12	97	4.33505
13	97	4.36001
14	97	4.34771
15	97	4.35242
16	97	4.32314
17	97	4.28458
18	97	4.25835
19	97	4.20312
20	97	4.16199
21	97	4.08895
22	97	3.98828
23	97	3.86837
24	97	3.73432
25	97	3.59928
26	97	3.4054
27	97	3.2085
28	97	3.03247
29	97	2.83786
30	97	2.61615
31	97	2.40464
32	97	2.25584
33	97	2.08625
34	97	2.00093
35	97	1.9954
36	97	2.07894
37	97	2.1871
38	97	2.35591
39	97	2.53944
40	97	2.70958
41	97	2.92192
42	97	3.03274
43	97	3.10113
44	97	3.0853
45	97	2.98876
46	97	2.79185

47	97	2.43197
48	97	2.00086
49	97	1.44356
50	97	0.804073
51	97	0.0924401
52	97	-0.560733
53	97	-1.04806
54	97	-1.27481
55	97	-1.18467
56	97	-0.852083
57	97	-0.361409
58	97	0.129328
59	97	0.488685
60	97	0.738542
61	97	0.751472
62	97	0.566279
63	97	0.294743
64	97	-0.711181
65	97	-1.69227
66	97	-2.90171
67	97	-4.2776
68	97	-5.46707
69	97	-5.88013
70	97	-5.28457
71	97	-4.09358
72	97	-2.89469
73	97	-1.95277
74	97	-1.32718
75	97	-1.05321
76	97	-1.14651
77	97	-1.63758
78	97	-2.58207
79	97	-4.08894
80	97	-6.26529
81	97	-9.72823
82	97	-13.8835
83	97	-13.5408
84	97	-9.42863
85	97	-6.4063
86	97	-4.37041
87	97	-3.10973
88	97	-2.35924
89	97	-2.04279
90	97	-2.15228
91	97	-2.98747
92	97	-4.51818
93	97	-6.89212
94	97	-11.2611
95	97	-18.1883
96	97	-16.1272
97	97	-10.0958
98	97	-6.35965
99	97	-4.18351
100	97	-2.73473
101	97	-1.90078
102	97	-1.46425
103	97	-1.65793
104	97	-2.10662
105	97	-3.00311
106	97	-4.32594
107	97	-5.9228
108	97	-7.57753
109	97	-7.6448
110	97	-6.45626
111	97	-4.82354
112	97	-3.26107
113	97	-2.09001
114	97	-1.34873
115	97	-0.758004
116	97	-0.579562
117	97	-1.02121
118	97	-1.42034
119	97	-1.97006
120	97	-2.48214
121	97	-2.83043
122	97	-2.76477
123	97	-2.26698
124	97	-1.49421
125	97	-0.613188
126	97	0.16381
127	97	0.807819
128	97	1.29413
129	97	1.59183
130	97	1.70443
131	97	1.65555
132	97	1.444
133	97	1.07062
134	97	0.642633
135	97	0.117383
136	97	-0.397118
137	97	-0.722485
138	97	-0.807846
139	97	-0.583956
140	97	-0.0749725
141	97	0.554524

142	97	1.21934
143	97	1.847
144	97	2.41847
145	97	2.90938
146	97	3.30058
147	97	3.59661
148	97	3.81295
149	97	3.89567
150	97	3.93753
151	97	3.97487
152	97	3.83697
153	97	3.75351
154	97	3.52239
155	97	3.28115
156	97	2.99928
157	97	2.73011
158	97	2.5151
159	97	2.29436
160	97	2.14084
161	97	2.00058
162	97	1.93235
163	97	1.92642
164	97	2.01532
165	97	2.00007
166	97	2.16993
167	97	2.29012
168	97	2.45574
169	97	2.62713
170	97	2.79411
171	97	2.92201
172	97	3.10962
173	97	3.25152
174	97	3.42112
175	97	3.5402
176	97	3.62291
177	97	3.75021
178	97	3.83044
179	97	3.88261
180	97	3.92262
-180	98	3.8305
-179	98	3.87654
-178	98	3.93101
-177	98	3.97175
-176	98	4.00271
-175	98	4.04056
-174	98	4.07594
-173	98	4.08553
-172	98	4.09725
-171	98	4.05292
-170	98	4.16029
-169	98	4.15086
-168	98	4.2177
-167	98	4.18377
-166	98	4.17557
-165	98	4.20806
-164	98	4.17562
-163	98	4.17152
-162	98	4.13245
-161	98	4.06682
-160	98	4.01194
-159	98	3.97168
-158	98	3.88583
-157	98	3.72376
-156	98	3.56937
-155	98	3.45083
-154	98	3.29259
-153	98	3.08387
-152	98	2.86505
-151	98	2.64981
-150	98	2.43114
-149	98	2.21842
-148	98	2.02384
-147	98	1.90703
-146	98	1.85033
-145	98	1.84698
-144	98	1.92541
-143	98	2.04375
-142	98	2.24671
-141	98	2.39921
-140	98	2.62775
-139	98	2.78229
-138	98	2.93757
-137	98	3.01483
-136	98	3.00494
-135	98	2.8796
-134	98	2.67063
-133	98	2.3313
-132	98	1.86671
-131	98	1.3075
-130	98	0.653971
-129	98	-0.0459198
-128	98	-0.692449
-127	98	-1.1428
-126	98	-1.30277
-125	98	-1.1473

-124	98	-0.747627
-123	98	-0.241601
-122	98	0.24978
-121	98	0.435242
-120	98	0.652737
-119	98	0.694236
-118	98	0.527971
-117	98	0.138338
-116	98	-0.523555
-115	98	-1.45303
-114	98	-2.62466
-113	98	-3.95319
-112	98	-5.17773
-111	98	-5.71242
-110	98	-5.31677
-109	98	-4.22324
-108	98	-3.06787
-107	98	-2.13047
-106	98	-1.51379
-105	98	-1.24777
-104	98	-1.3504
-103	98	-1.80327
-102	98	-2.76435
-101	98	-4.29094
-100	98	-6.36983
-99	98	-9.72062
-98	98	-13.6197
-97	98	-13.4948
-96	98	-9.60392
-95	98	-6.45894
-94	98	-4.57055
-93	98	-3.49244
-92	98	-2.72621
-91	98	-2.46074
-90	98	-2.62174
-89	98	-3.41077
-88	98	-4.68956
-87	98	-6.97785
-86	98	-10.6368
-85	98	-18.1114
-84	98	-17.0005
-83	98	-10.268
-82	98	-6.47518
-81	98	-4.18187
-80	98	-2.75668
-79	98	-1.90009
-78	98	-1.48689
-77	98	-1.57895
-76	98	-2.17189
-75	98	-3.0661
-74	98	-4.40417
-73	98	-6.2133
-72	98	-7.87459
-71	98	-8.27843
-70	98	-6.85111
-69	98	-4.99103
-68	98	-3.34536
-67	98	-1.9781
-66	98	-1.23069
-65	98	-0.570525
-64	98	-0.360126
-63	98	-0.441117
-62	98	-0.778211
-61	98	-1.32876
-60	98	-2.02207
-59	98	-2.68245
-58	98	-3.18088
-57	98	-2.82884
-56	98	-2.05335
-55	98	-1.12314
-54	98	-0.231526
-53	98	0.513344
-52	98	1.09836
-51	98	1.4694
-50	98	1.67163
-49	98	1.6766
-48	98	1.49265
-47	98	1.17387
-46	98	0.681403
-45	98	0.162567
-44	98	-0.394489
-43	98	-0.752965
-42	98	-0.963597
-41	98	-0.825649
-40	98	-0.445273
-39	98	0.134485
-38	98	0.837723
-37	98	1.47111
-36	98	2.10926
-35	98	2.63412
-34	98	3.10973
-33	98	3.44054
-32	98	3.59404
-31	98	3.83074
-30	98	3.94186

-29	98	3.85945
-28	98	3.83043
-27	98	3.67195
-26	98	3.49817
-25	98	3.24807
-24	98	3.04166
-23	98	2.76079
-22	98	2.52597
-21	98	2.29833
-20	98	2.12782
-19	98	1.98862
-18	98	1.90983
-17	98	1.89482
-16	98	1.99848
-15	98	1.94662
-14	98	2.05611
-13	98	2.20798
-12	98	2.39452
-11	98	2.50099
-10	98	2.66049
-9	98	2.81792
-8	98	3.00297
-7	98	3.14368
-6	98	3.27702
-5	98	3.41841
-4	98	3.52926
-3	98	3.66179
-2	98	3.76048
-1	98	3.80126
0	98	3.86216
1	98	3.91164
2	98	3.95503
3	98	3.99702
4	98	4.03212
5	98	4.05973
6	98	4.09874
7	98	4.12081
8	98	4.13503
9	98	4.0921
10	98	4.18746
11	98	4.177
12	98	4.24094
13	98	4.21649
14	98	4.22209
15	98	4.25417
16	98	4.21291
17	98	4.21107
18	98	4.17161
19	98	4.11927
20	98	4.0643
21	98	4.00682
22	98	3.90375
23	98	3.75795
24	98	3.59921
25	98	3.47762
26	98	3.33223
27	98	3.11827
28	98	2.90704
29	98	2.69382
30	98	2.46831
31	98	2.24328
32	98	2.04021
33	98	1.89935
34	98	1.798
35	98	1.784
36	98	1.85214
37	98	1.97611
38	98	2.13719
39	98	2.29709
40	98	2.52871
41	98	2.70136
42	98	2.84741
43	98	2.93259
44	98	2.92871
45	98	2.82103
46	98	2.63389
47	98	2.31449
48	98	1.88026
49	98	1.35558
50	98	0.71789
51	98	0.0286052
52	98	-0.624757
53	98	-1.09299
54	98	-1.30998
55	98	-1.21556
56	98	-0.868211
57	98	-0.394257
58	98	0.0936094
59	98	0.255434
60	98	0.430562
61	98	0.511494
62	98	0.358414
63	98	-0.00873829
64	98	-0.666262
65	98	-1.61948

66	98	-2.79649
67	98	-4.14535
68	98	-5.31133
69	98	-5.81937
70	98	-5.30417
71	98	-4.17008
72	98	-3.01581
73	98	-2.04597
74	98	-1.39948
75	98	-1.10365
76	98	-1.17487
77	98	-1.64479
78	98	-2.53622
79	98	-3.99122
80	98	-6.05161
81	98	-9.28086
82	98	-13.1689
83	98	-13.4506
84	98	-9.84242
85	98	-6.54157
86	98	-4.56783
87	98	-3.31753
88	98	-2.4675
89	98	-2.1501
90	98	-2.24556
91	98	-2.97699
92	98	-4.37297
93	98	-6.80798
94	98	-10.4426
95	98	-17.2816
96	98	-17.0338
97	98	-10.6402
98	98	-6.9027
99	98	-4.49851
100	98	-3.00391
101	98	-2.10614
102	98	-1.69709
103	98	-1.7583
104	98	-2.27949
105	98	-3.09105
106	98	-4.30525
107	98	-5.88221
108	98	-7.33254
109	98	-7.73754
110	98	-6.5885
111	98	-4.9837
112	98	-3.49001
113	98	-2.19823
114	98	-1.48448
115	98	-0.830185
116	98	-0.580563
117	98	-0.663232
118	98	-0.95433
119	98	-1.46183
120	98	-2.03101
121	98	-2.57308
122	98	-2.93736
123	98	-2.52578
124	98	-1.80497
125	98	-0.925475
126	98	-0.130465
127	98	0.545573
128	98	1.03546
129	98	1.39374
130	98	1.54553
131	98	1.52731
132	98	1.32402
133	98	0.99671
134	98	0.52409
135	98	-0.0182024
136	98	-0.526233
137	98	-0.858915
138	98	-1.00281
139	98	-0.791675
140	98	-0.37673
141	98	0.239787
142	98	0.920059
143	98	1.5237
144	98	2.1445
145	98	2.64166
146	98	3.07831
147	98	3.40126
148	98	3.56065
149	98	3.77773
150	98	3.89635
151	98	3.82811
152	98	3.80035
153	98	3.605
154	98	3.39632
155	98	3.15956
156	98	2.98405
157	98	2.74524
158	98	2.49587
159	98	2.22408
160	98	2.12521

161	98	1.96212
162	98	1.89996
163	98	1.89097
164	98	1.99816
165	98	1.97983
166	98	2.04593
167	98	2.22608
168	98	2.39317
169	98	2.5373
170	98	2.68568
171	98	2.84151
172	98	3.01011
173	98	3.17459
174	98	3.31162
175	98	3.43248
176	98	3.53291
177	98	3.66331
178	98	3.74894
179	98	3.78935
180	98	3.8305
-180	99	3.83149
-179	99	3.86637
-178	99	3.90164
-177	99	3.93802
-176	99	3.96451
-175	99	4.00853
-174	99	4.03616
-173	99	4.05209
-172	99	4.05903
-171	99	4.0147
-170	99	4.11494
-169	99	4.13616
-168	99	4.15824
-167	99	4.15582
-166	99	4.11423
-165	99	4.14991
-164	99	4.12349
-163	99	4.11764
-162	99	4.09119
-161	99	4.00356
-160	99	3.9421
-159	99	3.86379
-158	99	3.77893
-157	99	3.65041
-156	99	3.47326
-155	99	3.30797
-154	99	3.14156
-153	99	2.95167
-152	99	2.7289
-151	99	2.48291
-150	99	2.26093
-149	99	2.068
-148	99	1.87164
-147	99	1.71533
-146	99	1.64849
-145	99	1.64174
-144	99	1.7126
-143	99	1.83363
-142	99	2.01884
-141	99	2.22994
-140	99	2.42289
-139	99	2.5818
-138	99	2.75274
-137	99	2.81395
-136	99	2.83376
-135	99	2.70619
-134	99	2.50727
-133	99	2.15237
-132	99	1.68049
-131	99	1.1039
-130	99	0.451262
-129	99	-0.255266
-128	99	-0.903358
-127	99	-1.34995
-126	99	-1.50028
-125	99	-1.2582
-124	99	-0.965093
-123	99	-0.52044
-122	99	-0.0975011
-121	99	0.2889
-120	99	0.51815
-119	99	0.578527
-118	99	0.419701
-117	99	0.0401773
-116	99	-0.578722
-115	99	-1.46653
-114	99	-2.59607
-113	99	-3.87062
-112	99	-5.02766
-111	99	-5.57229
-110	99	-5.19028
-109	99	-4.18933
-108	99	-3.07877
-107	99	-2.1515
-106	99	-1.55315

-105	99	-1.27536
-104	99	-1.35844
-103	99	-1.81671
-102	99	-2.70538
-101	99	-4.17391
-100	99	-6.21447
-99	99	-9.27763
-98	99	-12.8431
-97	99	-13.2057
-96	99	-9.62829
-95	99	-6.6648
-94	99	-4.52325
-93	99	-3.54316
-92	99	-2.73098
-91	99	-2.43082
-90	99	-2.58955
-89	99	-3.27306
-88	99	-4.45002
-87	99	-6.63662
-86	99	-10.1317
-85	99	-16.6611
-84	99	-18.0778
-83	99	-11.125
-82	99	-6.96816
-81	99	-4.58312
-80	99	-3.01991
-79	99	-2.07951
-78	99	-1.66983
-77	99	-1.71701
-76	99	-2.13341
-75	99	-3.18109
-74	99	-4.40089
-73	99	-6.01659
-72	99	-7.69319
-71	99	-8.27836
-70	99	-7.12408
-69	99	-5.10113
-68	99	-3.46148
-67	99	-2.20053
-66	99	-1.37959
-65	99	-0.692851
-64	99	-0.434564
-63	99	-0.468131
-62	99	-0.767839
-61	99	-1.29567
-60	99	-1.99842
-59	99	-2.71106
-58	99	-3.19265
-57	99	-3.17628
-56	99	-2.65977
-55	99	-1.83107
-54	99	-0.509104
-53	99	0.264618
-52	99	0.881582
-51	99	1.29475
-50	99	1.5303
-49	99	1.58149
-48	99	1.46339
-47	99	1.16959
-46	99	0.716148
-45	99	0.14679
-44	99	-0.334367
-43	99	-0.778009
-42	99	-1.03433
-41	99	-1.028
-40	99	-0.661565
-39	99	-0.098922
-38	99	0.541585
-37	99	1.17995
-36	99	1.82077
-35	99	2.40767
-34	99	2.83462
-33	99	3.20223
-32	99	3.54405
-31	99	3.76171
-30	99	3.78284
-29	99	3.83888
-28	99	3.76841
-27	99	3.66427
-26	99	3.50536
-25	99	3.32676
-24	99	3.12719
-23	99	2.86028
-22	99	2.63396
-21	99	2.42875
-20	99	2.2455
-19	99	2.10713
-18	99	2.06877
-17	99	2.04327
-16	99	2.12299
-15	99	2.11352
-14	99	2.17346
-13	99	2.32895
-12	99	2.46022
-11	99	2.5956

-10	99	2.69497
-9	99	2.86973
-8	99	3.01824
-7	99	3.15926
-6	99	3.28914
-5	99	3.41783
-4	99	3.50982
-3	99	3.62914
-2	99	3.75135
-1	99	3.7906
0	99	3.8811
1	99	3.89793
2	99	3.92466
3	99	3.97846
4	99	4.00529
5	99	4.06476
6	99	4.05945
7	99	4.08426
8	99	4.09425
9	99	4.06793
10	99	4.15507
11	99	4.158
12	99	4.17563
13	99	4.18606
14	99	4.1495
15	99	4.19495
16	99	4.16409
17	99	4.1742
18	99	4.13183
19	99	4.06532
20	99	3.995
21	99	3.93309
22	99	3.83515
23	99	3.71567
24	99	3.55531
25	99	3.39613
26	99	3.23064
27	99	3.04507
28	99	2.83676
29	99	2.58268
30	99	2.35912
31	99	2.13859
32	99	1.9319
33	99	1.76224
34	99	1.65584
35	99	1.62739
36	99	1.6815
37	99	1.7954
38	99	1.95288
39	99	2.14427
40	99	2.34722
41	99	2.50431
42	99	2.66968
43	99	2.73054
44	99	2.75401
45	99	2.64496
46	99	2.45924
47	99	2.13202
48	99	1.69137
49	99	1.14905
50	99	0.519024
51	99	-0.153339
52	99	-0.784716
53	99	-1.24663
54	99	-1.44512
55	99	-1.24203
56	99	-1.00791
57	99	-0.64239
58	99	-0.235884
59	99	0.116431
60	99	0.341458
61	99	0.384264
62	99	0.38196
63	99	-0.0924407
64	99	-0.753272
65	99	-1.65991
66	99	-2.80246
67	99	-4.09558
68	99	-5.20632
69	99	-5.74981
70	99	-5.30343
71	99	-4.25093
72	99	-3.09871
73	99	-2.14673
74	99	-1.49741
75	99	-1.18302
76	99	-1.21653
77	99	-1.66842
78	99	-2.51005
79	99	-3.92469
80	99	-5.88433
81	99	-8.91827
82	99	-12.5715
83	99	-13.2969
84	99	-9.83594

85	99	-6.83673
86	99	-4.50032
87	99	-3.35154
88	99	-2.50413
89	99	-2.16142
90	99	-2.20405
91	99	-2.85005
92	99	-4.18135
93	99	-6.51944
94	99	-9.9246
95	99	-16.0415
96	99	-18.2536
97	99	-11.5964
98	99	-7.40265
99	99	-4.90138
100	99	-3.28061
101	99	-2.30266
102	99	-1.85541
103	99	-1.87395
104	99	-2.19046
105	99	-3.15904
106	99	-4.22805
107	99	-5.64448
108	99	-7.11379
109	99	-7.70399
110	99	-6.8313
111	99	-5.06906
112	99	-3.57312
113	99	-2.40314
114	99	-1.61917
115	99	-0.957132
116	99	-0.704071
117	99	-0.717924
118	99	-0.997285
119	99	-1.47398
120	99	-2.06204
121	99	-2.64457
122	99	-2.98938
123	99	-2.90884
124	99	-2.41328
125	99	-1.6497
126	99	-0.421889
127	99	0.293857
128	99	0.828137
129	99	1.19738
130	99	1.38755
131	99	1.39745
132	99	1.26301
133	99	0.964978
134	99	0.494302
135	99	-0.0467866
136	99	-0.508586
137	99	-0.907296
138	99	-1.12506
139	99	-1.0338
140	99	-0.615838
141	99	-0.00486505
142	99	0.638538
143	99	1.26941
144	99	1.88521
145	99	2.44235
146	99	2.8392
147	99	3.1778
148	99	3.50877
149	99	3.72823
150	99	3.75505
151	99	3.81577
152	99	3.74613
153	99	3.63308
154	99	3.47314
155	99	3.28189
156	99	3.07085
157	99	2.84049
158	99	2.62282
159	99	2.41908
160	99	2.2476
161	99	2.02374
162	99	2.0985
163	99	2.01439
164	99	2.09685
165	99	2.08925
166	99	2.15006
167	99	2.29347
168	99	2.4263
169	99	2.56146
170	99	2.70045
171	99	2.85008
172	99	3.00745
173	99	3.16216
174	99	3.28256
175	99	3.41117
176	99	3.50218
177	99	3.60563
178	99	3.72214
179	99	3.75974

180	99	3.83149
-180	100	3.85462
-179	100	3.86844
-178	100	3.9193
-177	100	3.94476
-176	100	3.97489
-175	100	4.01532
-174	100	4.04731
-173	100	4.07102
-172	100	4.08397
-171	100	4.10871
-170	100	4.12169
-169	100	4.18905
-168	100	4.14686
-167	100	4.15505
-166	100	4.1442
-165	100	4.14426
-164	100	4.12437
-163	100	4.11022
-162	100	4.08181
-161	100	4.01496
-160	100	3.94276
-159	100	3.84493
-158	100	3.7218
-157	100	3.58722
-156	100	3.43129
-155	100	3.25763
-154	100	3.05984
-153	100	2.84758
-152	100	2.64339
-151	100	2.42091
-150	100	2.18554
-149	100	1.95691
-148	100	1.75694
-147	100	1.60578
-146	100	1.52725
-145	100	1.50009
-144	100	1.56642
-143	100	1.69314
-142	100	1.8629
-141	100	2.06714
-140	100	2.27842
-139	100	2.45423
-138	100	2.59497
-137	100	2.66507
-136	100	2.65484
-135	100	2.5491
-134	100	2.35855
-133	100	1.99406
-132	100	1.545
-131	100	0.952184
-130	100	0.488029
-129	100	-0.136997
-128	100	-0.765132
-127	100	-1.25917
-126	100	-1.49902
-125	100	-1.4861
-124	100	-1.19417
-123	100	-0.770426
-122	100	-0.310554
-121	100	0.0713498
-120	100	0.315051
-119	100	0.378125
-118	100	0.223144
-117	100	-0.154666
-116	100	-0.767076
-115	100	-1.64436
-114	100	-2.73761
-113	100	-3.97072
-112	100	-5.04995
-111	100	-5.55802
-110	100	-5.18142
-109	100	-4.18996
-108	100	-3.10858
-107	100	-2.211
-106	100	-1.59732
-105	100	-1.30864
-104	100	-1.37807
-103	100	-1.81547
-102	100	-2.67869
-101	100	-4.054
-100	100	-6.11063
-99	100	-8.99655
-98	100	-12.4066
-97	100	-12.9805
-96	100	-9.71765
-95	100	-6.72494
-94	100	-4.75615
-93	100	-3.37708
-92	100	-2.71663
-91	100	-2.36523
-90	100	-2.52976
-89	100	-3.09336
-88	100	-4.16283
-87	100	-6.21175

-86	100	-9.47781
-85	100	-15.1919
-84	100	-19.8837
-83	100	-11.8886
-82	100	-7.63669
-81	100	-4.96665
-80	100	-3.28378
-79	100	-2.27214
-78	100	-1.77982
-77	100	-1.72533
-76	100	-2.10784
-75	100	-2.79059
-74	100	-4.29011
-73	100	-5.97122
-72	100	-7.504
-71	100	-8.18372
-70	100	-7.35611
-69	100	-5.53235
-68	100	-3.7819
-67	100	-2.31061
-66	100	-1.47273
-65	100	-0.92263
-64	100	-0.549155
-63	100	-0.557439
-62	100	-0.850119
-61	100	-1.37358
-60	100	-2.06257
-59	100	-2.77645
-58	100	-3.28725
-57	100	-3.37711
-56	100	-2.91875
-55	100	-2.12316
-54	100	-1.22158
-53	100	-0.369315
-52	100	0.35059
-51	100	0.886573
-50	100	1.2456
-49	100	1.53207
-48	100	1.44993
-47	100	1.17228
-46	100	0.770985
-45	100	0.259496
-44	100	-0.294428
-43	100	-0.738344
-42	100	-1.04172
-41	100	-1.10624
-40	100	-0.832439
-39	100	-0.308392
-38	100	0.318214
-37	100	0.95812
-36	100	1.53994
-35	100	2.1449
-34	100	2.69797
-33	100	3.12188
-32	100	3.47946
-31	100	3.61968
-30	100	3.76596
-29	100	3.80873
-28	100	3.79115
-27	100	3.7134
-26	100	3.61088
-25	100	3.4617
-24	100	3.28031
-23	100	3.07876
-22	100	2.87838
-21	100	2.67335
-20	100	2.48641
-19	100	2.39127
-18	100	2.37375
-17	100	2.28185
-16	100	2.29506
-15	100	2.31722
-14	100	2.39622
-13	100	2.49397
-12	100	2.61633
-11	100	2.73049
-10	100	2.83253
-9	100	2.95385
-8	100	3.10246
-7	100	3.22068
-6	100	3.34366
-5	100	3.46839
-4	100	3.56904
-3	100	3.66158
-2	100	3.7947
-1	100	3.86539
0	100	3.90273
1	100	3.90711
2	100	3.97127
3	100	3.98391
4	100	4.00926
5	100	4.03533
6	100	4.07066
7	100	4.11254
8	100	4.13199

9	100	4.15855
10	100	4.15067
11	100	4.19678
12	100	4.18145
13	100	4.18618
14	100	4.20235
15	100	4.17391
16	100	4.13882
17	100	4.1305
18	100	4.08715
19	100	4.04139
20	100	3.96376
21	100	3.88836
22	100	3.77228
23	100	3.64884
24	100	3.51093
25	100	3.33705
26	100	3.16466
27	100	2.94291
28	100	2.75019
29	100	2.54913
30	100	2.31102
31	100	2.0913
32	100	1.8913
33	100	1.72255
34	100	1.61646
35	100	1.57126
36	100	1.61342
37	100	1.72017
38	100	1.87156
39	100	2.04846
40	100	2.24846
41	100	2.4172
42	100	2.52534
43	100	2.58634
44	100	2.5858
45	100	2.49126
46	100	2.32353
47	100	1.97765
48	100	1.56409
49	100	1.00424
50	100	0.568986
51	100	-0.0202251
52	100	-0.625744
53	100	-1.10903
54	100	-1.39399
55	100	-1.38321
56	100	-1.15648
57	100	-0.791192
58	100	-0.377416
59	100	-0.029155
60	100	0.19019
61	100	0.25052
62	100	0.117675
63	100	-0.242881
64	100	-0.90068
65	100	-1.80025
66	100	-2.89969
67	100	-4.16816
68	100	-5.39338
69	100	-5.79378
70	100	-5.40463
71	100	-4.36853
72	100	-3.22957
73	100	-2.28725
74	100	-1.6423
75	100	-1.31555
76	100	-1.34168
77	100	-1.7444
78	100	-2.55925
79	100	-3.90081
80	100	-5.8452
81	100	-8.69999
82	100	-12.2057
83	100	-13.0255
84	100	-9.91618
85	100	-6.85045
86	100	-4.68988
87	100	-3.19469
88	100	-2.47408
89	100	-2.11461
90	100	-2.20815
91	100	-2.70629
92	100	-3.92027
93	100	-6.10819
94	100	-9.38795
95	100	-14.8646
96	100	-20.3002
97	100	-12.33
98	100	-7.92422
99	100	-5.195
100	100	-3.49649
101	100	-2.45059
102	100	-1.93854
103	100	-1.89804

104	100	-2.17161
105	100	-2.76521
106	100	-4.13866
107	100	-5.6224
108	100	-6.98082
109	100	-7.62346
110	100	-7.05805
111	100	-5.50227
112	100	-3.94582
113	100	-2.54667
114	100	-1.75038
115	100	-1.22595
116	100	-0.844067
117	100	-0.842057
118	100	-1.11305
119	100	-1.56638
120	100	-2.15767
121	100	-2.79034
122	100	-3.1744
123	100	-3.18576
124	100	-2.74975
125	100	-1.97873
126	100	-1.14953
127	100	-0.396437
128	100	0.241754
129	100	0.766503
130	100	1.07414
131	100	1.31097
132	100	1.21375
133	100	0.925902
134	100	0.533297
135	100	0.0264607
136	100	-0.496883
137	100	-0.899075
138	100	-1.11725
139	100	-1.10629
140	100	-0.771683
141	100	-0.192951
142	100	0.453469
143	100	1.08302
144	100	1.64207
145	100	2.20228
146	100	2.72185
147	100	3.11393
148	100	3.46264
149	100	3.59031
150	100	3.73931
151	100	3.79327
152	100	3.77066
153	100	3.68077
154	100	3.56402
155	100	3.41691
156	100	3.2291
157	100	3.04691
158	100	2.86188
159	100	2.64844
160	100	2.48318
161	100	2.38764
162	100	2.3518
163	100	2.20354
164	100	2.24646
165	100	2.2836
166	100	2.35645
167	100	2.45463
168	100	2.54619
169	100	2.669
170	100	2.7843
171	100	2.91609
172	100	3.04605
173	100	3.17938
174	100	3.29969
175	100	3.41604
176	100	3.51329
177	100	3.60248
178	100	3.73232
179	100	3.81277
180	100	3.85462
-180	101	3.87597
-179	101	3.8986
-178	101	3.91503
-177	101	3.93426
-176	101	3.97223
-175	101	4.04056
-174	101	4.0655
-173	101	4.11732
-172	101	4.16255
-171	101	4.17219
-170	101	4.19494
-169	101	4.19905
-168	101	4.19128
-167	101	4.18589
-166	101	4.18241
-165	101	4.16068
-164	101	4.15321
-163	101	4.14293

-162	101	4.09107
-161	101	4.02658
-160	101	3.9322
-159	101	3.84281
-158	101	3.73
-157	101	3.57227
-156	101	3.40999
-155	101	3.23556
-154	101	3.06728
-153	101	2.86459
-152	101	2.64196
-151	101	2.40921
-150	101	2.17469
-149	101	1.92771
-148	101	1.75332
-147	101	1.59259
-146	101	1.49212
-145	101	1.45967
-144	101	1.51967
-143	101	1.63578
-142	101	1.79103
-141	101	1.98264
-140	101	2.17329
-139	101	2.34497
-138	101	2.49454
-137	101	2.57184
-136	101	2.52781
-135	101	2.30708
-134	101	2.13575
-133	101	1.86681
-132	101	1.51152
-131	101	0.955178
-130	101	0.435386
-129	101	-0.213813
-128	101	-0.808651
-127	101	-1.31395
-126	101	-1.56741
-125	101	-1.58604
-124	101	-1.32386
-123	101	-0.928796
-122	101	-0.491764
-121	101	-0.121196
-120	101	0.126461
-119	101	0.168472
-118	101	0.00901113
-117	101	-0.368626
-116	101	-1.00137
-115	101	-1.86006
-114	101	-2.95851
-113	101	-4.19435
-112	101	-5.26026
-111	101	-5.74229
-110	101	-5.31656
-109	101	-4.3233
-108	101	-3.26889
-107	101	-2.33873
-106	101	-1.71121
-105	101	-1.41751
-104	101	-1.46729
-103	101	-1.88289
-102	101	-2.72224
-101	101	-4.09641
-100	101	-6.04344
-99	101	-8.82714
-98	101	-12.1427
-97	101	-12.7252
-96	101	-9.73635
-95	101	-6.80746
-94	101	-4.84376
-93	101	-3.52767
-92	101	-2.6193
-91	101	-2.35506
-90	101	-2.42732
-89	101	-2.91995
-88	101	-3.94479
-87	101	-5.91798
-86	101	-9.07667
-85	101	-14.4017
-84	101	-20.214
-83	101	-12.7381
-82	101	-8.16019
-81	101	-5.3998
-80	101	-3.57179
-79	101	-2.47404
-78	101	-1.90548
-77	101	-1.8034
-76	101	-2.14022
-75	101	-2.8957
-74	101	-3.95143
-73	101	-5.64401
-72	101	-7.30735
-71	101	-8.18482
-70	101	-7.43915
-69	101	-5.91144
-68	101	-4.23094

-67	101	-2.80777
-66	101	-1.74239
-65	101	-1.14347
-64	101	-0.767775
-63	101	-0.721055
-62	101	-0.92747
-61	101	-1.40357
-60	101	-2.08985
-59	101	-2.82556
-58	101	-3.37879
-57	101	-3.51762
-56	101	-3.1289
-55	101	-2.35877
-54	101	-1.44108
-53	101	-0.560731
-52	101	0.198154
-51	101	0.778953
-50	101	1.16682
-49	101	1.36644
-48	101	1.38237
-47	101	1.25969
-46	101	0.975643
-45	101	0.63648
-44	101	-0.0862492
-43	101	-0.539242
-42	101	-0.954866
-41	101	-1.06477
-40	101	-0.951178
-39	101	-0.548495
-38	101	-0.00325994
-37	101	0.685608
-36	101	1.42557
-35	101	2.02918
-34	101	2.55697
-33	101	3.06008
-32	101	3.30457
-31	101	3.56584
-30	101	3.7541
-29	101	3.8358
-28	101	3.85158
-27	101	3.83413
-26	101	3.75532
-25	101	3.63091
-24	101	3.48153
-23	101	3.30862
-22	101	3.13736
-21	101	2.9658
-20	101	2.77486
-19	101	2.64712
-18	101	2.58575
-17	101	2.52525
-16	101	2.472
-15	101	2.56046
-14	101	2.5912
-13	101	2.65964
-12	101	2.76843
-11	101	2.86655
-10	101	2.96026
-9	101	3.07844
-8	101	3.20705
-7	101	3.30991
-6	101	3.41576
-5	101	3.51936
-4	101	3.62407
-3	101	3.71611
-2	101	3.82587
-1	101	3.94762
0	101	3.96708
1	101	3.96328
2	101	3.98179
3	101	3.99195
4	101	4.02638
5	101	4.08317
6	101	4.10398
7	101	4.15204
8	101	4.19343
9	101	4.20173
10	101	4.19815
11	101	4.19061
12	101	4.19842
13	101	4.19761
14	101	4.18732
15	101	4.16274
16	101	4.15007
17	101	4.13726
18	101	4.0747
19	101	4.01082
20	101	3.91908
21	101	3.84315
22	101	3.73172
23	101	3.59007
24	101	3.43574
25	101	3.28023
26	101	3.11538
27	101	2.90648

28	101	2.71287
29	101	2.48526
30	101	2.2666
31	101	2.03051
32	101	1.85396
33	101	1.69989
34	101	1.58947
35	101	1.53475
36	101	1.59649
37	101	1.68932
38	101	1.83819
39	101	2.01123
40	101	2.18924
41	101	2.35097
42	101	2.46536
43	101	2.5246
44	101	2.49262
45	101	2.27097
46	101	2.11484
47	101	1.85676
48	101	1.53693
49	101	1.00526
50	101	0.529986
51	101	-0.078792
52	101	-0.652192
53	101	-1.16566
54	101	-1.40601
55	101	-1.44339
56	101	-1.23128
57	101	-0.872444
58	101	-0.490355
59	101	-0.151088
60	101	0.0785247
61	101	0.0982526
62	101	-0.0172153
63	101	-0.400755
64	101	-1.01769
65	101	-1.9091
66	101	-3.0181
67	101	-4.28233
68	101	-5.39464
69	101	-5.97322
70	101	-5.56428
71	101	-4.5623
72	101	-3.46415
73	101	-2.48358
74	101	-1.82163
75	101	-1.4871
76	101	-1.49367
77	101	-1.87732
78	101	-2.70547
79	101	-4.01961
80	101	-5.93265
81	101	-8.73046
82	101	-12.1079
83	101	-12.8724
84	101	-9.87797
85	101	-6.91127
86	101	-4.84827
87	101	-3.34103
88	101	-2.41752
89	101	-2.14239
90	101	-2.15381
91	101	-2.62645
92	101	-3.77559
93	101	-5.85294
94	101	-9.00406
95	101	-14.3029
96	101	-20.682
97	101	-12.9065
98	101	-8.2604
99	101	-5.5679
100	101	-3.71676
101	101	-2.59995
102	101	-1.98018
103	101	-1.83818
104	101	-2.12262
105	101	-2.80599
106	101	-3.77602
107	101	-5.32908
108	101	-6.81578
109	101	-7.68782
110	101	-7.25298
111	101	-5.98702
112	101	-4.4624
113	101	-3.11345
114	101	-2.06027
115	101	-1.47966
116	101	-1.1153
117	101	-1.07046
118	101	-1.23792
119	101	-1.64508
120	101	-2.28105
121	101	-2.89782
122	101	-3.29042

123	101	-3.36715
124	101	-2.99929
125	101	-2.25655
126	101	-1.42678
127	101	-0.645467
128	101	0.0395382
129	101	0.601887
130	101	0.958517
131	101	1.14096
132	101	1.15134
133	101	1.01738
134	101	0.761842
135	101	0.423364
136	101	-0.306864
137	101	-0.70713
138	101	-1.03455
139	101	-1.07726
140	101	-0.885819
141	101	-0.424477
142	101	0.135308
143	101	0.831457
144	101	1.52475
145	101	2.09378
146	101	2.59922
147	101	3.06088
148	101	3.30977
149	101	3.54987
150	101	3.73581
151	101	3.81125
152	101	3.82934
153	101	3.8
154	101	3.70457
155	101	3.57871
156	101	3.43753
157	101	3.28898
158	101	3.1174
159	101	2.95717
160	101	2.78265
161	101	2.66282
162	101	2.5819
163	101	2.48531
164	101	2.49775
165	101	2.48853
166	101	2.53836
167	101	2.61766
168	101	2.70683
169	101	2.79108
170	101	2.88358
171	101	3.00817
172	101	3.12358
173	101	3.22646
174	101	3.33565
175	101	3.45744
176	101	3.54333
177	101	3.63052
178	101	3.72952
179	101	3.8295
180	101	3.87597
-180	102	3.88183
-179	102	3.93037
-178	102	3.90323
-177	102	3.9209
-176	102	3.96456
-175	102	4.0432
-174	102	4.10999
-173	102	4.19143
-172	102	4.215
-171	102	4.20076
-170	102	4.22187
-169	102	4.21439
-168	102	4.20918
-167	102	4.21046
-166	102	4.21835
-165	102	4.16762
-164	102	4.17987
-163	102	4.15752
-162	102	4.09892
-161	102	4.02626
-160	102	3.92407
-159	102	3.82106
-158	102	3.70983
-157	102	3.56504
-156	102	3.40472
-155	102	3.25045
-154	102	3.06561
-153	102	2.87354
-152	102	2.64864
-151	102	2.41781
-150	102	2.19015
-149	102	1.96164
-148	102	1.78626
-147	102	1.62933
-146	102	1.53151
-145	102	1.51616
-144	102	1.53932

-143	102	1.63867
-142	102	1.76961
-141	102	1.74273
-140	102	1.90788
-139	102	2.06264
-138	102	2.19613
-137	102	2.28581
-136	102	2.28465
-135	102	2.2265
-134	102	2.05173
-133	102	1.81372
-132	102	1.42017
-131	102	0.931301
-130	102	0.42241
-129	102	-0.231745
-128	102	-0.760703
-127	102	-1.28409
-126	102	-1.57146
-125	102	-1.59787
-124	102	-1.37707
-123	102	-0.997916
-122	102	-0.577828
-121	102	-0.22732
-120	102	0.000976395
-119	102	0.0468433
-118	102	-0.138387
-117	102	-0.491272
-116	102	-1.12772
-115	102	-1.99498
-114	102	-3.11227
-113	102	-4.36886
-112	102	-5.47953
-111	102	-5.98566
-110	102	-5.592
-109	102	-4.60756
-108	102	-3.50466
-107	102	-2.58033
-106	102	-1.91119
-105	102	-1.57806
-104	102	-1.61599
-103	102	-2.00751
-102	102	-2.82939
-101	102	-4.20426
-100	102	-6.12667
-99	102	-8.84155
-98	102	-12.0983
-97	102	-12.8025
-96	102	-9.86183
-95	102	-6.90235
-94	102	-4.87401
-93	102	-3.57087
-92	102	-2.65397
-91	102	-2.26023
-90	102	-2.40008
-89	102	-2.86834
-88	102	-3.76798
-87	102	-5.58362
-86	102	-8.52668
-85	102	-13.4991
-84	102	-20.8943
-83	102	-14.1237
-82	102	-8.6606
-81	102	-5.73431
-80	102	-3.91613
-79	102	-2.69013
-78	102	-2.08642
-77	102	-1.90401
-76	102	-2.15623
-75	102	-2.83714
-74	102	-3.95928
-73	102	-5.49771
-72	102	-7.34433
-71	102	-8.46533
-70	102	-8.07829
-69	102	-6.26999
-68	102	-4.46816
-67	102	-3.12839
-66	102	-2.03597
-65	102	-1.35354
-64	102	-0.886434
-63	102	-0.775795
-62	102	-1.06729
-61	102	-1.5351
-60	102	-2.09823
-59	102	-2.75649
-58	102	-3.37641
-57	102	-3.63759
-56	102	-3.35519
-55	102	-2.62619
-54	102	-1.70493
-53	102	-0.789693
-52	102	-0.00223525
-51	102	0.612362
-50	102	1.04715
-49	102	1.27507

-48	102	1.39871
-47	102	1.31087
-46	102	1.17346
-45	102	0.844825
-44	102	0.4525
-43	102	0.00767388
-42	102	-0.396524
-41	102	-0.666762
-40	102	-0.683152
-39	102	-0.401787
-38	102	-0.0413298
-37	102	0.584149
-36	102	1.21217
-35	102	1.86833
-34	102	2.45708
-33	102	2.86437
-32	102	3.19513
-31	102	3.52262
-30	102	3.69579
-29	102	3.81997
-28	102	3.88747
-27	102	3.89969
-26	102	3.85603
-25	102	3.77533
-24	102	3.6503
-23	102	3.51669
-22	102	3.34034
-21	102	3.20468
-20	102	3.00887
-19	102	2.88164
-18	102	2.81937
-17	102	2.75642
-16	102	2.68603
-15	102	2.74049
-14	102	2.76752
-13	102	2.80823
-12	102	2.87988
-11	102	2.96255
-10	102	3.04852
-9	102	3.16472
-8	102	3.25271
-7	102	3.36845
-6	102	3.45922
-5	102	3.54893
-4	102	3.63392
-3	102	3.7171
-2	102	3.84415
-1	102	3.94018
0	102	3.97785
1	102	4.00076
2	102	3.96358
3	102	3.97042
4	102	4.02322
5	102	4.09409
6	102	4.15815
7	102	4.21391
8	102	4.22544
9	102	4.20461
10	102	4.20914
11	102	4.19391
12	102	4.19543
13	102	4.19376
14	102	4.19145
15	102	4.14153
16	102	4.14421
17	102	4.11657
18	102	4.05227
19	102	3.97025
20	102	3.88838
21	102	3.77122
22	102	3.6571
23	102	3.51883
24	102	3.38181
25	102	3.22832
26	102	3.05257
27	102	2.862
28	102	2.6634
29	102	2.44379
30	102	2.2155
31	102	1.99103
32	102	1.83999
33	102	1.69197
34	102	1.58451
35	102	1.53814
36	102	1.56594
37	102	1.65613
38	102	1.79101
39	102	1.74857
40	102	1.90497
41	102	2.04843
42	102	2.16729
43	102	2.24393
44	102	2.24689
45	102	2.19485
46	102	2.02592

47	102	1.78721
48	102	1.43388
49	102	0.971072
50	102	0.471448
51	102	-0.156049
52	102	-0.686397
53	102	-1.16213
54	102	-1.44251
55	102	-1.47864
56	102	-1.25224
57	102	-0.880078
58	102	-0.491681
59	102	-0.161277
60	102	0.0466919
61	102	0.0856885
62	102	-0.0652747
63	102	-0.430047
64	102	-1.05095
65	102	-1.92402
66	102	-3.04569
67	102	-4.33668
68	102	-5.51827
69	102	-6.13826
70	102	-5.8151
71	102	-4.83649
72	102	-3.70427
73	102	-2.73519
74	102	-2.05462
75	102	-1.685
76	102	-1.672
77	102	-2.0482
78	102	-2.83854
79	102	-4.17733
80	102	-6.04287
81	102	-8.68221
82	102	-12.1692
83	102	-13.3737
84	102	-10.2275
85	102	-7.12101
86	102	-4.96082
87	102	-3.45064
88	102	-2.53343
89	102	-2.16123
90	102	-2.2007
91	102	-2.5988
92	102	-3.65775
93	102	-5.66348
94	102	-8.67787
95	102	-13.8136
96	102	-21.0673
97	102	-13.9956
98	102	-8.5797
99	102	-5.72688
100	102	-3.97541
101	102	-2.73438
102	102	-2.13395
103	102	-1.90512
104	102	-2.12609
105	102	-2.73978
106	102	-3.74644
107	102	-5.21359
108	102	-6.9245
109	102	-8.06505
110	102	-7.95481
111	102	-6.45056
112	102	-4.78511
113	102	-3.49683
114	102	-2.39635
115	102	-1.72654
116	102	-1.27045
117	102	-1.17184
118	102	-1.41522
119	102	-1.80973
120	102	-2.30958
121	102	-2.85213
122	102	-3.34558
123	102	-3.52542
124	102	-3.21588
125	102	-2.49124
126	102	-1.63725
127	102	-0.826752
128	102	-0.137177
129	102	0.439317
130	102	0.832087
131	102	1.06449
132	102	1.15634
133	102	1.1045
134	102	0.953041
135	102	0.638081
136	102	0.258249
137	102	-0.146236
138	102	-0.477235
139	102	-0.683517
140	102	-0.65081
141	102	-0.329297

142	102	0.075528
143	102	0.73083
144	102	1.34464
145	102	1.97088
146	102	2.51154
147	102	2.88349
148	102	3.22056
149	102	3.53621
150	102	3.71005
151	102	3.83224
152	102	3.9011
153	102	3.89646
154	102	3.82978
155	102	3.73909
156	102	3.62017
157	102	3.50093
158	102	3.3238
159	102	3.20205
160	102	3.01976
161	102	2.89938
162	102	2.83427
163	102	2.73995
164	102	2.67064
165	102	2.71421
166	102	2.76464
167	102	2.76883
168	102	2.82436
169	102	2.88133
170	102	2.98515
171	102	3.08673
172	102	3.18289
173	102	3.26877
174	102	3.35677
175	102	3.46517
176	102	3.54815
177	102	3.64774
178	102	3.74132
179	102	3.83461
180	102	3.88183
-180	103	3.93683
-179	103	3.96982
-178	103	3.94046
-177	103	3.96739
-176	103	4.01606
-175	103	4.05898
-174	103	4.16517
-173	103	4.23375
-172	103	4.2287
-171	103	4.25609
-170	103	4.24548
-169	103	4.22119
-168	103	4.21014
-167	103	4.20704
-166	103	4.21999
-165	103	4.16114
-164	103	4.18259
-163	103	4.13992
-162	103	4.0683
-161	103	3.98924
-160	103	3.89565
-159	103	3.79744
-158	103	3.69406
-157	103	3.53449
-156	103	3.38622
-155	103	3.22102
-154	103	3.03666
-153	103	2.85171
-152	103	2.63778
-151	103	2.42685
-150	103	2.22169
-149	103	1.99995
-148	103	2.05312
-147	103	1.85696
-146	103	1.70867
-145	103	1.5984
-144	103	1.54906
-143	103	1.55671
-142	103	1.62094
-141	103	1.73744
-140	103	1.8849
-139	103	2.03536
-138	103	2.14613
-137	103	2.22315
-136	103	2.22951
-135	103	2.16969
-134	103	2.00726
-133	103	1.74745
-132	103	1.36807
-131	103	0.939938
-130	103	0.357077
-129	103	-0.188895
-128	103	-0.781601
-127	103	-1.27834
-126	103	-1.52932
-125	103	-1.57453

-124	103	-1.36284
-123	103	-0.996083
-122	103	-0.589966
-121	103	-0.249804
-120	103	-0.0382355
-119	103	0.00489881
-118	103	-0.157233
-117	103	-0.522707
-116	103	-1.13649
-115	103	-1.99753
-114	103	-3.12098
-113	103	-4.41066
-112	103	-5.56262
-111	103	-6.165
-110	103	-5.8408
-109	103	-4.87139
-108	103	-3.76151
-107	103	-2.79429
-106	103	-2.11905
-105	103	-1.76575
-104	103	-1.76868
-103	103	-2.14697
-102	103	-2.91338
-101	103	-4.27841
-100	103	-6.15334
-99	103	-8.79488
-98	103	-12.212
-97	103	-13.2562
-96	103	-10.1482
-95	103	-7.1891
-94	103	-5.04383
-93	103	-3.6729
-92	103	-2.78029
-91	103	-2.38865
-90	103	-2.47471
-89	103	-2.95267
-88	103	-3.63286
-87	103	-5.36597
-86	103	-8.07962
-85	103	-12.793
-84	103	-20.9005
-83	103	-15.2809
-82	103	-9.55904
-81	103	-6.18046
-80	103	-4.0633
-79	103	-2.95694
-78	103	-2.22757
-77	103	-2.01976
-76	103	-2.21955
-75	103	-2.85208
-74	103	-3.92166
-73	103	-5.37468
-72	103	-7.13013
-71	103	-8.77425
-70	103	-8.4767
-69	103	-6.79043
-68	103	-4.91176
-67	103	-3.37761
-66	103	-2.19449
-65	103	-1.40723
-64	103	-1.0182
-63	103	-0.872424
-62	103	-1.01922
-61	103	-1.37358
-60	103	-1.95142
-59	103	-2.65944
-58	103	-3.27921
-57	103	-3.53219
-56	103	-3.32044
-55	103	-2.72481
-54	103	-1.89293
-53	103	-1.03249
-52	103	-0.201163
-51	103	0.463963
-50	103	0.953765
-49	103	1.29025
-48	103	1.40726
-47	103	1.3402
-46	103	1.19127
-45	103	0.923698
-44	103	0.514097
-43	103	0.11922
-42	103	-0.19116
-41	103	-0.435291
-40	103	-0.516627
-39	103	-0.371344
-38	103	-0.0612091
-37	103	0.369777
-36	103	0.919105
-35	103	1.45199
-34	103	1.89999
-33	103	2.34804
-32	103	2.72513
-31	103	3.35934
-30	103	3.61544

-29	103	3.7701
-28	103	3.86
-27	103	3.91829
-26	103	3.90763
-25	103	3.84684
-24	103	3.76363
-23	103	3.65878
-22	103	3.52209
-21	103	3.36638
-20	103	3.19115
-19	103	3.09779
-18	103	3.01526
-17	103	2.93561
-16	103	2.83578
-15	103	2.90597
-14	103	2.90438
-13	103	2.92273
-12	103	2.96216
-11	103	3.02708
-10	103	3.09728
-9	103	3.19928
-8	103	3.29954
-7	103	3.34568
-6	103	3.45501
-5	103	3.52822
-4	103	3.60166
-3	103	3.68076
-2	103	3.81096
-1	103	3.90532
0	103	3.97001
1	103	3.97122
2	103	3.93911
3	103	3.96499
4	103	4.018
5	103	4.0693
6	103	4.16208
7	103	4.2309
8	103	4.2185
9	103	4.24128
10	103	4.22153
11	103	4.19926
12	103	4.18765
13	103	4.18566
14	103	4.18915
15	103	4.11658
16	103	4.11196
17	103	4.06745
18	103	3.98465
19	103	3.90263
20	103	3.80499
21	103	3.708
22	103	3.58432
23	103	3.45371
24	103	3.30683
25	103	3.14477
26	103	2.97341
27	103	2.77833
28	103	2.58765
29	103	2.36982
30	103	2.15808
31	103	1.93456
32	103	2.01869
33	103	1.83382
34	103	1.68898
35	103	1.58352
36	103	1.54657
37	103	1.55332
38	103	1.60398
39	103	1.69455
40	103	1.81823
41	103	1.96661
42	103	2.0823
43	103	2.14156
44	103	2.15155
45	103	2.08511
46	103	1.93613
47	103	1.68782
48	103	1.33089
49	103	0.912639
50	103	0.354663
51	103	-0.193996
52	103	-0.747707
53	103	-1.20002
54	103	-1.44201
55	103	-1.47642
56	103	-1.25939
57	103	-0.892807
58	103	-0.480266
59	103	-0.162856
60	103	0.0542856
61	103	0.102707
62	103	-0.0367807
63	103	-0.399737
64	103	-1.00982
65	103	-1.87888

66	103	-2.95254
67	103	-4.2621
68	103	-5.40027
69	103	-6.0719
70	103	-5.85357
71	103	-4.97982
72	103	-3.88383
73	103	-2.90573
74	103	-2.20374
75	103	-1.83441
76	103	-1.79878
77	103	-2.14461
78	103	-2.89138
79	103	-4.21128
80	103	-6.07153
81	103	-8.8414
82	103	-12.4369
83	103	-13.983
84	103	-10.7103
85	103	-7.48605
86	103	-5.21671
87	103	-3.64641
88	103	-2.738
89	103	-2.29936
90	103	-2.33686
91	103	-2.79276
92	103	-3.61992
93	103	-5.51841
94	103	-8.36834
95	103	-13.1714
96	103	-21.0608
97	103	-14.8235
98	103	-9.39907
99	103	-6.16634
100	103	-4.14561
101	103	-3.03948
102	103	-2.29366
103	103	-2.05072
104	103	-2.20842
105	103	-2.8047
106	103	-3.81983
107	103	-5.22206
108	103	-6.90873
109	103	-8.57913
110	103	-8.56516
111	103	-7.12185
112	103	-5.34413
113	103	-3.81165
114	103	-2.60545
115	103	-1.79827
116	103	-1.40699
117	103	-1.2532
118	103	-1.34665
119	103	-1.67244
120	103	-2.16007
121	103	-2.76941
122	103	-3.25969
123	103	-3.4148
124	103	-3.15668
125	103	-2.57407
126	103	-1.79503
127	103	-1.03493
128	103	-0.291071
129	103	0.339611
130	103	0.794474
131	103	1.07355
132	103	1.17427
133	103	1.12001
134	103	0.97474
135	103	0.703344
136	103	0.299092
137	103	-0.0629271
138	103	-0.317952
139	103	-0.503349
140	103	-0.524565
141	103	-0.310924
142	103	0.0483471
143	103	0.529343
144	103	1.07131
145	103	1.58833
146	103	2.01741
147	103	2.42366
148	103	2.78847
149	103	3.41605
150	103	3.66204
151	103	3.80878
152	103	3.89511
153	103	3.92311
154	103	3.88557
155	103	3.84406
156	103	3.73824
157	103	3.64494
158	103	3.5113
159	103	3.36518
160	103	3.19982

161	103	3.11405
162	103	3.00372
163	103	2.90277
164	103	2.8324
165	103	2.88993
166	103	2.90356
167	103	2.90675
168	103	2.94142
169	103	2.97478
170	103	3.06866
171	103	3.1677
172	103	3.24437
173	103	3.32576
174	103	3.39926
175	103	3.47728
176	103	3.5477
177	103	3.64767
178	103	3.75992
179	103	3.85811
180	103	3.93683
-180	104	3.98373
-179	104	4.0392
-178	104	4.0217
-177	104	4.01072
-176	104	4.0869
-175	104	4.13958
-174	104	4.23048
-173	104	4.26789
-172	104	4.26988
-171	104	4.29239
-170	104	4.2707
-169	104	4.22318
-168	104	4.20445
-167	104	4.19861
-166	104	4.20079
-165	104	4.11217
-164	104	4.13307
-163	104	4.09579
-162	104	4.02148
-161	104	3.92535
-160	104	3.84141
-159	104	3.73811
-158	104	3.63598
-157	104	3.48672
-156	104	3.43382
-155	104	3.29302
-154	104	3.13825
-153	104	2.96476
-152	104	2.79067
-151	104	2.61059
-150	104	2.41634
-149	104	2.2454
-148	104	2.08622
-147	104	1.89716
-146	104	1.75722
-145	104	1.63466
-144	104	1.57841
-143	104	1.58087
-142	104	1.64777
-141	104	1.7538
-140	104	1.89363
-139	104	2.01351
-138	104	2.10159
-137	104	2.16681
-136	104	2.17023
-135	104	2.10875
-134	104	1.94433
-133	104	1.68396
-132	104	1.32204
-131	104	0.856359
-130	104	0.310271
-129	104	-0.268562
-128	104	-0.839966
-127	104	-1.3424
-126	104	-1.56736
-125	104	-1.59225
-124	104	-1.38334
-123	104	-0.999543
-122	104	-0.606792
-121	104	-0.27543
-120	104	-0.0507708
-119	104	0.0041446
-118	104	-0.15343
-117	104	-0.49981
-116	104	-1.10007
-115	104	-1.94295
-114	104	-3.05113
-113	104	-4.31922
-112	104	-5.49674
-111	104	-6.17272
-110	104	-5.96127
-109	104	-5.06014
-108	104	-3.95365
-107	104	-2.97593
-106	104	-2.28647

-105	104	-1.9263
-104	104	-1.89515
-103	104	-2.21938
-102	104	-2.94866
-101	104	-4.25958
-100	104	-6.05412
-99	104	-8.6402
-98	104	-12.1113
-97	104	-13.8623
-96	104	-10.8923
-95	104	-7.81297
-94	104	-5.59947
-93	104	-4.01553
-92	104	-3.00825
-91	104	-2.54444
-90	104	-2.55312
-89	104	-3.14555
-88	104	-3.73303
-87	104	-5.28113
-86	104	-7.97172
-85	104	-12.3599
-84	104	-20.6071
-83	104	-16.1422
-82	104	-10.0174
-81	104	-6.56686
-80	104	-4.43381
-79	104	-3.06997
-78	104	-2.39126
-77	104	-2.10834
-76	104	-2.22797
-75	104	-2.82161
-74	104	-3.81066
-73	104	-5.24079
-72	104	-6.97982
-71	104	-8.46481
-70	104	-8.55282
-69	104	-7.11161
-68	104	-5.18628
-67	104	-3.60859
-66	104	-2.35752
-65	104	-1.40204
-64	104	-0.966344
-63	104	-0.802668
-62	104	-0.925417
-61	104	-1.28206
-60	104	-1.87031
-59	104	-2.5611
-58	104	-3.20878
-57	104	-3.59807
-56	104	-3.53383
-55	104	-3.03271
-54	104	-2.22495
-53	104	-1.29157
-52	104	-0.463141
-51	104	0.21272
-50	104	0.736958
-49	104	1.10582
-48	104	1.30599
-47	104	1.40648
-46	104	1.33896
-45	104	1.08727
-44	104	0.739333
-43	104	0.385103
-42	104	0.0236556
-41	104	-0.262151
-40	104	-0.417356
-39	104	-0.404118
-38	104	-0.132771
-37	104	0.26177
-36	104	0.74411
-35	104	1.18482
-34	104	1.68716
-33	104	2.11675
-32	104	2.54601
-31	104	2.88932
-30	104	3.15977
-29	104	3.34681
-28	104	3.48346
-27	104	3.58003
-26	104	3.60234
-25	104	3.60737
-24	104	3.58193
-23	104	3.70778
-22	104	3.61491
-21	104	3.50027
-20	104	3.36135
-19	104	3.2694
-18	104	3.19677
-17	104	3.08082
-16	104	2.98792
-15	104	3.05495
-14	104	3.03663
-13	104	3.03771
-12	104	3.04762
-11	104	3.06995

-10	104	3.14752
-9	104	3.22714
-8	104	3.31499
-7	104	3.36215
-6	104	3.43247
-5	104	3.49323
-4	104	3.54038
-3	104	3.60041
-2	104	3.76718
-1	104	3.88009
0	104	3.92533
1	104	3.96169
2	104	3.93087
3	104	3.92635
4	104	4.02293
5	104	4.06523
6	104	4.1651
7	104	4.2077
8	104	4.20763
9	104	4.23818
10	104	4.2172
11	104	4.17137
12	104	4.16294
13	104	4.14928
14	104	4.14241
15	104	4.03953
16	104	4.03746
17	104	3.99071
18	104	3.92078
19	104	3.82608
20	104	3.7505
21	104	3.63569
22	104	3.51381
23	104	3.3748
24	104	3.33382
25	104	3.19826
26	104	3.04039
27	104	2.88706
28	104	2.71627
29	104	2.52587
30	104	2.34285
31	104	2.15858
32	104	2.02257
33	104	1.84961
34	104	1.69507
35	104	1.5947
36	104	1.54602
37	104	1.54137
38	104	1.58584
39	104	1.67171
40	104	1.77824
41	104	1.89207
42	104	1.97957
43	104	2.03549
44	104	2.06006
45	104	1.96648
46	104	1.81653
47	104	1.57517
48	104	1.22472
49	104	0.767663
50	104	0.232937
51	104	-0.31531
52	104	-0.885319
53	104	-1.36108
54	104	-1.57054
55	104	-1.55552
56	104	-1.31843
57	104	-0.833053
58	104	-0.548515
59	104	-0.199107
60	104	0.0103161
61	104	0.0685993
62	104	-0.046665
63	104	-0.382263
64	104	-0.958083
65	104	-1.78281
66	104	-2.83782
67	104	-4.07425
68	104	-5.28413
69	104	-5.9968
70	104	-5.83489
71	104	-5.00833
72	104	-3.92515
73	104	-2.95035
74	104	-2.26294
75	104	-1.89207
76	104	-1.84233
77	104	-2.15329
78	104	-2.88214
79	104	-4.16423
80	104	-5.89501
81	104	-8.61107
82	104	-12.2056
83	104	-14.6497
84	104	-11.5196

85	104	-8.13831
86	104	-5.63458
87	104	-3.96056
88	104	-2.99027
89	104	-2.49835
90	104	-2.39597
91	104	-2.95483
92	104	-3.66076
93	104	-5.38515
94	104	-8.10704
95	104	-12.625
96	104	-20.5489
97	104	-15.8101
98	104	-9.99763
99	104	-6.6464
100	104	-4.5965
101	104	-3.23072
102	104	-2.51128
103	104	-2.25381
104	104	-2.34131
105	104	-2.89899
106	104	-3.83011
107	104	-5.19968
108	104	-6.8868
109	104	-8.38171
110	104	-8.69515
111	104	-7.45013
112	104	-5.6165
113	104	-4.03682
114	104	-2.75763
115	104	-1.78781
116	104	-1.36068
117	104	-1.18996
118	104	-1.25356
119	104	-1.59106
120	104	-2.10405
121	104	-2.70261
122	104	-3.21215
123	104	-3.50976
124	104	-3.35364
125	104	-2.83763
126	104	-2.10251
127	104	-1.27233
128	104	-0.523152
129	104	0.116529
130	104	0.61226
131	104	0.930956
132	104	1.12344
133	104	1.17134
134	104	1.11273
135	104	0.864495
136	104	0.530931
137	104	0.200427
138	104	-0.0820276
139	104	-0.294828
140	104	-0.395786
141	104	-0.305819
142	104	-0.00461113
143	104	0.426956
144	104	0.903356
145	104	1.36076
146	104	1.83134
147	104	2.21623
148	104	2.61032
149	104	2.9623
150	104	3.2162
151	104	3.39714
152	104	3.51397
153	104	3.58761
154	104	3.60723
155	104	3.59871
156	104	3.56126
157	104	3.69283
158	104	3.59196
159	104	3.48673
160	104	3.37302
161	104	3.26699
162	104	3.17856
163	104	3.05378
164	104	2.99015
165	104	3.04858
166	104	3.039
167	104	3.02868
168	104	3.04849
169	104	3.08068
170	104	3.17547
171	104	3.26923
172	104	3.33123
173	104	3.40402
174	104	3.4723
175	104	3.53987
176	104	3.57468
177	104	3.65226
178	104	3.78436
179	104	3.91686

180	104	3.98373
-180	105	4.07233
-179	105	4.12614
-178	105	4.12102
-177	105	4.10551
-176	105	4.15692
-175	105	4.22893
-174	105	4.31483
-173	105	4.28476
-172	105	4.35368
-171	105	4.3288
-170	105	4.27621
-169	105	4.23384
-168	105	4.19568
-167	105	4.17476
-166	105	4.17409
-165	105	4.0463
-164	105	4.00383
-163	105	3.96934
-162	105	3.90843
-161	105	3.83784
-160	105	3.74502
-159	105	3.64814
-158	105	3.54146
-157	105	3.41785
-156	105	3.31281
-155	105	3.2051
-154	105	3.07244
-153	105	2.93273
-152	105	2.76668
-151	105	2.603
-150	105	2.41895
-149	105	2.27178
-148	105	2.10417
-147	105	1.92676
-146	105	1.78445
-145	105	1.66291
-144	105	1.60689
-143	105	1.60883
-142	105	1.67009
-141	105	1.76468
-140	105	1.87836
-139	105	1.98956
-138	105	2.06927
-137	105	2.12238
-136	105	2.12427
-135	105	2.05404
-134	105	1.88726
-133	105	1.60472
-132	105	1.24328
-131	105	0.773403
-130	105	0.23738
-129	105	-0.37438
-128	105	-0.958239
-127	105	-1.41249
-126	105	-1.73888
-125	105	-1.70381
-124	105	-1.51181
-123	105	-1.12607
-122	105	-0.703674
-121	105	-0.328611
-120	105	-0.112709
-119	105	-0.0422769
-118	105	-0.181104
-117	105	-0.51331
-116	105	-1.10509
-115	105	-1.93088
-114	105	-3.01124
-113	105	-4.26274
-112	105	-5.44958
-111	105	-6.17127
-110	105	-6.03526
-109	105	-5.17703
-108	105	-4.08301
-107	105	-3.10437
-106	105	-2.40708
-105	105	-2.02352
-104	105	-1.97808
-103	105	-2.26098
-102	105	-2.92543
-101	105	-4.11384
-100	105	-5.81166
-99	105	-8.22639
-98	105	-11.6298
-97	105	-13.8074
-96	105	-11.3788
-95	105	-8.37844
-94	105	-5.99927
-93	105	-4.23985
-92	105	-3.21319
-91	105	-2.68942
-90	105	-2.64453
-89	105	-3.05118
-88	105	-3.81667
-87	105	-5.28593

-86	105	-7.62376
-85	105	-11.8021
-84	105	-19.3508
-83	105	-17.0546
-82	105	-10.6054
-81	105	-6.96747
-80	105	-4.73946
-79	105	-3.32722
-78	105	-2.5174
-77	105	-2.23894
-76	105	-2.29214
-75	105	-2.73191
-74	105	-3.69872
-73	105	-5.03649
-72	105	-6.68912
-71	105	-8.22844
-70	105	-8.54453
-69	105	-7.27301
-68	105	-5.44819
-67	105	-3.66912
-66	105	-2.48607
-65	105	-1.54021
-64	105	-0.95422
-63	105	-0.745519
-62	105	-0.813417
-61	105	-1.11066
-60	105	-1.65767
-59	105	-2.36063
-58	105	-3.09799
-57	105	-3.64384
-56	105	-3.79506
-55	105	-3.40132
-54	105	-2.64319
-53	105	-1.73544
-52	105	-0.832119
-51	105	-0.0557181
-50	105	0.543305
-49	105	0.989256
-48	105	1.29638
-47	105	1.44853
-46	105	1.39109
-45	105	1.2115
-44	105	0.942033
-43	105	0.579218
-42	105	0.220876
-41	105	-0.0846753
-40	105	-0.318203
-39	105	-0.363017
-38	105	-0.178614
-37	105	0.104041
-36	105	0.468575
-35	105	0.958139
-34	105	1.44908
-33	105	1.93068
-32	105	2.32466
-31	105	2.67104
-30	105	2.96413
-29	105	3.16678
-28	105	3.36785
-27	105	3.46421
-26	105	3.49265
-25	105	3.54858
-24	105	3.53542
-23	105	3.49709
-22	105	3.48179
-21	105	3.41284
-20	105	3.33688
-19	105	3.29721
-18	105	3.27507
-17	105	3.24503
-16	105	3.17807
-15	105	3.18968
-14	105	3.19163
-13	105	3.21032
-12	105	3.25241
-11	105	3.29966
-10	105	3.37246
-9	105	3.28389
-8	105	3.34565
-7	105	3.39055
-6	105	3.42192
-5	105	3.50909
-4	105	3.58745
-3	105	3.61551
-2	105	3.75074
-1	105	3.87208
0	105	3.94648
1	105	3.96792
2	105	3.97353
3	105	3.9507
4	105	4.02331
5	105	4.10198
6	105	4.19046
7	105	4.17007
8	105	4.23329

9	105	4.21478
10	105	4.17251
11	105	4.15637
12	105	4.111
13	105	4.11328
14	105	4.10052
15	105	3.97708
16	105	3.92544
17	105	3.88424
18	105	3.81775
19	105	3.74531
20	105	3.65194
21	105	3.56483
22	105	3.44345
23	105	3.32456
24	105	3.21692
25	105	3.12235
26	105	2.97852
27	105	2.83489
28	105	2.68015
29	105	2.52055
30	105	2.34423
31	105	2.19638
32	105	2.03408
33	105	1.87475
34	105	1.73358
35	105	1.62982
36	105	1.57815
37	105	1.57276
38	105	1.61446
39	105	1.69335
40	105	1.78217
41	105	1.88015
42	105	1.96363
43	105	2.00194
44	105	1.99539
45	105	1.90861
46	105	1.72439
47	105	1.45305
48	105	1.10183
49	105	0.646529
50	105	0.0896454
51	105	-0.526754
52	105	-1.10532
53	105	-1.52594
54	105	-1.82903
55	105	-1.76362
56	105	-1.53775
57	105	-1.13837
58	105	-0.697643
59	105	-0.308275
60	105	-0.0727608
61	105	0.027904
62	105	-0.0961662
63	105	-0.427383
64	105	-0.978866
65	105	-1.78619
66	105	-2.81253
67	105	-4.01141
68	105	-5.28015
69	105	-5.84315
70	105	-5.79071
71	105	-4.9919
72	105	-3.96124
73	105	-3.00002
74	105	-2.29705
75	105	-1.8918
76	105	-1.81907
77	105	-2.11469
78	105	-2.77141
79	105	-3.88043
80	105	-5.57263
81	105	-8.10149
82	105	-11.5604
83	105	-14.4744
84	105	-12.1424
85	105	-8.68468
86	105	-6.03582
87	105	-4.24378
88	105	-3.19303
89	105	-2.62839
90	105	-2.46561
91	105	-2.84432
92	105	-3.75343
93	105	-5.37677
94	105	-7.71438
95	105	-11.934
96	105	-19.2069
97	105	-16.9192
98	105	-10.7954
99	105	-7.17061
100	105	-5.00458
101	105	-3.5895
102	105	-2.74451
103	105	-2.43362

104	105	-2.5088
105	105	-2.90305
106	105	-3.79718
107	105	-5.10588
108	105	-6.71859
109	105	-8.27644
110	105	-8.70182
111	105	-7.61326
112	105	-5.87431
113	105	-4.09142
114	105	-2.89875
115	105	-1.93923
116	105	-1.35388
117	105	-1.15792
118	105	-1.16618
119	105	-1.43117
120	105	-1.89437
121	105	-2.51872
122	105	-3.10651
123	105	-3.53891
124	105	-3.59607
125	105	-3.16717
126	105	-2.4909
127	105	-1.68023
128	105	-0.842481
129	105	-0.117477
130	105	0.44204
131	105	0.850221
132	105	1.11726
133	105	1.2564
134	105	1.19808
135	105	1.00683
136	105	0.751689
137	105	0.428005
138	105	0.130606
139	105	-0.123253
140	105	-0.272434
141	105	-0.267349
142	105	-0.0313938
143	105	0.274971
144	105	0.637527
145	105	1.12151
146	105	1.59069
147	105	2.01612
148	105	2.37926
149	105	2.71267
150	105	2.97128
151	105	3.17491
152	105	3.35327
153	105	3.43757
154	105	3.46182
155	105	3.51602
156	105	3.48158
157	105	3.43797
158	105	3.42439
159	105	3.36176
160	105	3.29283
161	105	3.24842
162	105	3.23936
163	105	3.2362
164	105	3.18682
165	105	3.2009
166	105	3.21288
167	105	3.22896
168	105	3.27929
169	105	3.32969
170	105	3.41396
171	105	3.34352
172	105	3.39394
173	105	3.4602
174	105	3.53148
175	105	3.59168
176	105	3.69663
177	105	3.73782
178	105	3.83727
179	105	3.9671
180	105	4.07233
-180	106	4.20722
-179	106	4.23633
-178	106	4.25234
-177	106	4.289
-176	106	4.25617
-175	106	4.23422
-174	106	4.25303
-173	106	4.27657
-172	106	4.29155
-171	106	4.30872
-170	106	4.3129
-169	106	4.22345
-168	106	4.13663
-167	106	4.06727
-166	106	4.02631
-165	106	3.93674
-164	106	3.92659
-163	106	3.87364

-162	106	3.81371
-161	106	3.75008
-160	106	3.64592
-159	106	3.54421
-158	106	3.43646
-157	106	3.31816
-156	106	3.21912
-155	106	3.12271
-154	106	3.0149
-153	106	2.87744
-152	106	2.72555
-151	106	2.56893
-150	106	2.40826
-149	106	2.24822
-148	106	2.07741
-147	106	1.92818
-146	106	1.78824
-145	106	1.68423
-144	106	1.62865
-143	106	1.6335
-142	106	1.68006
-141	106	1.76628
-140	106	1.8705
-139	106	1.97061
-138	106	2.04581
-137	106	2.08424
-136	106	2.07929
-135	106	2.00283
-134	106	1.83049
-133	106	1.53558
-132	106	1.15774
-131	106	0.693285
-130	106	0.142418
-129	106	-0.454322
-128	106	-1.0485
-127	106	-1.51637
-126	106	-1.83966
-125	106	-1.87829
-124	106	-1.63817
-123	106	-1.28065
-122	106	-0.883532
-121	106	-0.518165
-120	106	-0.253924
-119	106	-0.162899
-118	106	-0.267851
-117	106	-0.601229
-116	106	-1.17273
-115	106	-1.99817
-114	106	-3.05234
-113	106	-4.29672
-112	106	-5.48327
-111	106	-6.21206
-110	106	-6.12836
-109	106	-5.31855
-108	106	-4.25852
-107	106	-3.28284
-106	106	-2.54119
-105	106	-2.12157
-104	106	-2.04715
-103	106	-2.32291
-102	106	-2.98316
-101	106	-4.09104
-100	106	-5.74868
-99	106	-8.03534
-98	106	-11.2138
-97	106	-13.2676
-96	106	-11.4672
-95	106	-8.51635
-94	106	-6.16123
-93	106	-4.35548
-92	106	-3.29274
-91	106	-2.73305
-90	106	-2.63791
-89	106	-2.99261
-88	106	-3.59247
-87	106	-5.02612
-86	106	-7.45373
-85	106	-11.0881
-84	106	-18.0521
-83	106	-17.9408
-82	106	-11.2342
-81	106	-7.39926
-80	106	-5.04434
-79	106	-3.54577
-78	106	-2.65476
-77	106	-2.23664
-76	106	-2.33241
-75	106	-2.8322
-74	106	-3.57375
-73	106	-4.7952
-72	106	-6.42181
-71	106	-7.96218
-70	106	-8.49595
-69	106	-7.50216
-68	106	-5.74867

-67	106	-4.09662
-66	106	-2.78241
-65	106	-1.7465
-64	106	-0.986563
-63	106	-0.898263
-62	106	-0.896786
-61	106	-1.12152
-60	106	-1.62412
-59	106	-2.29536
-58	106	-3.03591
-57	106	-3.69349
-56	106	-3.91549
-55	106	-3.66381
-54	106	-2.97227
-53	106	-2.05872
-52	106	-1.12541
-51	106	-0.291203
-50	106	0.380789
-49	106	0.895749
-48	106	1.29874
-47	106	1.43728
-46	106	1.41072
-45	106	1.28916
-44	106	1.08487
-43	106	0.81736
-42	106	0.450661
-41	106	0.0848513
-40	106	-0.201759
-39	106	-0.302437
-38	106	-0.240634
-37	106	-0.0621603
-36	106	0.315796
-35	106	0.729962
-34	106	1.19427
-33	106	1.62941
-32	106	2.06657
-31	106	2.44556
-30	106	2.75242
-29	106	2.99507
-28	106	3.15267
-27	106	3.32733
-26	106	3.43023
-25	106	3.46999
-24	106	3.48153
-23	106	3.49066
-22	106	3.48122
-21	106	3.43987
-20	106	3.3894
-19	106	3.35476
-18	106	3.30829
-17	106	3.27307
-16	106	3.19353
-15	106	3.26558
-14	106	3.26383
-13	106	3.27815
-12	106	3.31428
-11	106	3.35833
-10	106	3.43135
-9	106	3.47573
-8	106	3.52899
-7	106	3.57765
-6	106	3.63147
-5	106	3.69321
-4	106	3.70581
-3	106	3.74904
-2	106	3.83207
-1	106	3.98046
0	106	4.09203
1	106	4.09113
2	106	4.08957
3	106	4.08992
4	106	4.11265
5	106	4.10871
6	106	4.13848
7	106	4.14674
8	106	4.15321
9	106	4.17687
10	106	4.18139
11	106	4.0999
12	106	4.04948
13	106	4.0245
14	106	4.00299
15	106	3.88959
16	106	3.86046
17	106	3.79529
18	106	3.7452
19	106	3.61163
20	106	3.58314
21	106	3.47275
22	106	3.36183
23	106	3.24801
24	106	3.15503
25	106	3.05549
26	106	2.93254
27	106	2.7967

28	106	2.66604
29	106	2.509
30	106	2.34485
31	106	2.1952
32	106	2.04016
33	106	1.87845
34	106	1.75431
35	106	1.65227
36	106	1.59674
37	106	1.6007
38	106	1.62616
39	106	1.68598
40	106	1.77164
41	106	1.87515
42	106	1.94564
43	106	1.97486
44	106	1.94682
45	106	1.85148
46	106	1.66253
47	106	1.40174
48	106	1.01396
49	106	0.540323
50	106	-0.0191987
51	106	-0.624262
52	106	-1.21309
53	106	-1.67129
54	106	-1.97675
55	106	-2.00171
56	106	-1.74433
57	106	-1.37077
58	106	-0.970344
59	106	-0.585382
60	106	-0.313286
61	106	-0.205419
62	106	-0.267789
63	106	-0.580858
64	106	-1.12477
65	106	-1.90605
66	106	-2.92005
67	106	-4.0931
68	106	-5.22331
69	106	-5.88365
70	106	-5.80384
71	106	-5.06799
72	106	-4.07132
73	106	-3.12786
74	106	-2.38363
75	106	-1.95608
76	106	-1.85829
77	106	-2.11205
78	106	-2.74189
79	106	-3.77782
80	106	-5.39469
81	106	-7.67454
82	106	-10.9528
83	106	-13.728
84	106	-12.175
85	106	-8.8981
86	106	-6.25333
87	106	-4.45428
88	106	-3.33086
89	106	-2.72655
90	106	-2.60503
91	106	-2.84539
92	106	-3.60109
93	106	-5.03062
94	106	-7.59195
95	106	-11.2006
96	106	-17.9564
97	106	-18.2355
98	106	-11.6208
99	106	-7.7204
100	106	-5.35994
101	106	-3.85514
102	106	-2.92799
103	106	-2.51507
104	106	-2.58684
105	106	-3.08335
106	106	-3.73699
107	106	-4.90977
108	106	-6.48749
109	106	-8.01352
110	106	-8.61252
111	106	-7.78427
112	106	-6.11922
113	106	-4.47668
114	106	-3.17435
115	106	-2.11557
116	106	-1.35414
117	106	-1.27336
118	106	-1.21474
119	106	-1.3825
120	106	-1.80744
121	106	-2.41287
122	106	-3.06455

123	106	-3.55842
124	106	-3.67255
125	106	-3.37841
126	106	-2.75824
127	106	-1.95527
128	106	-1.08782
129	106	-0.314864
130	106	0.315997
131	106	0.801038
132	106	1.13914
133	106	1.27649
134	106	1.24413
135	106	1.11019
136	106	0.911793
137	106	0.64611
138	106	0.338008
139	106	0.0382871
140	106	-0.178553
141	106	-0.201528
142	106	-0.156962
143	106	0.0793095
144	106	0.458383
145	106	0.856729
146	106	1.27794
147	106	1.6652
148	106	2.10105
149	106	2.46228
150	106	2.74578
151	106	2.93597
152	106	3.10522
153	106	3.26873
154	106	3.34981
155	106	3.38239
156	106	3.39885
157	106	3.42274
158	106	3.41644
159	106	3.37714
160	106	3.34338
161	106	3.32908
162	106	3.30042
163	106	3.29029
164	106	3.23721
165	106	3.32176
166	106	3.31765
167	106	3.33278
168	106	3.37236
169	106	3.41582
170	106	3.48867
171	106	3.55576
172	106	3.60235
173	106	3.67047
174	106	3.73997
175	106	3.79827
176	106	3.84012
177	106	3.89274
178	106	3.9632
179	106	4.09798
180	106	4.20722
-180	107	4.17976
-179	107	4.2498
-178	107	4.24869
-177	107	4.26981
-176	107	4.25494
-175	107	4.29069
-174	107	4.22812
-173	107	4.25123
-172	107	4.24318
-171	107	4.25013
-170	107	4.22058
-169	107	4.14232
-168	107	4.10335
-167	107	4.05286
-166	107	3.99559
-165	107	3.88931
-164	107	3.85298
-163	107	3.79429
-162	107	3.73552
-161	107	3.64555
-160	107	3.55821
-159	107	3.45215
-158	107	3.35244
-157	107	3.24453
-156	107	3.15521
-155	107	3.06415
-154	107	2.95148
-153	107	2.83137
-152	107	2.64552
-151	107	2.52326
-150	107	2.36798
-149	107	2.21752
-148	107	2.04167
-147	107	1.90053
-146	107	1.76933
-145	107	1.67949
-144	107	1.63388

-143	107	1.64812
-142	107	1.69527
-141	107	1.78172
-140	107	1.87961
-139	107	1.98153
-138	107	2.05075
-137	107	2.07498
-136	107	2.05302
-135	107	1.95432
-134	107	1.76369
-133	107	1.4759
-132	107	1.09222
-131	107	0.613774
-130	107	0.0627106
-129	107	-0.534562
-128	107	-1.11516
-127	107	-1.58009
-126	107	-1.85203
-125	107	-1.9567
-124	107	-1.81814
-123	107	-1.39623
-122	107	-0.986066
-121	107	-0.622926
-120	107	-0.36437
-119	107	-0.304411
-118	107	-0.371753
-117	107	-0.709081
-116	107	-1.23687
-115	107	-2.02054
-114	107	-3.04059
-113	107	-4.26914
-112	107	-5.51882
-111	107	-6.2937
-110	107	-6.25343
-109	107	-5.45169
-108	107	-4.36848
-107	107	-3.382
-106	107	-2.67566
-105	107	-2.24122
-104	107	-2.16901
-103	107	-2.43587
-102	107	-3.10233
-101	107	-4.17456
-100	107	-5.79236
-99	107	-7.93345
-98	107	-10.9724
-97	107	-13.0275
-96	107	-11.5864
-95	107	-8.42311
-94	107	-6.13801
-93	107	-4.40572
-92	107	-3.31669
-91	107	-2.70939
-90	107	-2.57368
-89	107	-2.76046
-88	107	-3.50904
-87	107	-4.72077
-86	107	-6.86973
-85	107	-10.3853
-84	107	-16.5931
-83	107	-19.6391
-82	107	-12.1554
-81	107	-7.94748
-80	107	-5.42769
-79	107	-3.80169
-78	107	-2.81017
-77	107	-2.32017
-76	107	-2.25927
-75	107	-2.63758
-74	107	-3.45056
-73	107	-4.70064
-72	107	-6.04796
-71	107	-7.54678
-70	107	-8.46077
-69	107	-7.76078
-68	107	-6.11515
-67	107	-4.49222
-66	107	-3.11303
-65	107	-2.12146
-64	107	-1.28366
-63	107	-1.05327
-62	107	-1.00817
-61	107	-1.21416
-60	107	-1.66671
-59	107	-2.30639
-58	107	-2.97885
-57	107	-3.61636
-56	107	-4.0182
-55	107	-3.89606
-54	107	-3.28185
-53	107	-2.36019
-52	107	-1.39302
-51	107	-0.500138
-50	107	0.263321
-49	107	0.845999

-48	107	1.23065
-47	107	1.39457
-46	107	1.46297
-45	107	1.39279
-44	107	1.18804
-43	107	0.885599
-42	107	0.643829
-41	107	0.42959
-40	107	-0.00968557
-39	107	-0.186504
-38	107	-0.237799
-37	107	-0.0863831
-36	107	0.164693
-35	107	0.532512
-34	107	0.932409
-33	107	1.38924
-32	107	1.81716
-31	107	2.14499
-30	107	2.47059
-29	107	2.78264
-28	107	2.99788
-27	107	3.18853
-26	107	3.29596
-25	107	3.3913
-24	107	3.42245
-23	107	3.46033
-22	107	3.45423
-21	107	3.44779
-20	107	3.42042
-19	107	3.39426
-18	107	3.35141
-17	107	3.31581
-16	107	3.24131
-15	107	3.31874
-14	107	3.31817
-13	107	3.3271
-12	107	3.35615
-11	107	3.39269
-10	107	3.44956
-9	107	3.51126
-8	107	3.55165
-7	107	3.61825
-6	107	3.6393
-5	107	3.68066
-4	107	3.71622
-3	107	3.76916
-2	107	3.86911
-1	107	3.97154
0	107	4.06365
1	107	4.11905
2	107	4.11183
3	107	4.11184
4	107	4.10761
5	107	4.14217
6	107	4.10308
7	107	4.12953
8	107	4.13802
9	107	4.14558
10	107	4.13128
11	107	4.06204
12	107	4.03091
13	107	3.97555
14	107	3.92417
15	107	3.82643
16	107	3.78059
17	107	3.73614
18	107	3.66496
19	107	3.59708
20	107	3.51348
21	107	3.3997
22	107	3.29888
23	107	3.191
24	107	3.11217
25	107	3.00822
26	107	2.89909
27	107	2.7758
28	107	2.65081
29	107	2.45872
30	107	2.33728
31	107	2.19262
32	107	2.04673
33	107	1.90565
34	107	1.77045
35	107	1.68768
36	107	1.63909
37	107	1.62178
38	107	1.6591
39	107	1.72036
40	107	1.80224
41	107	1.88963
42	107	1.95861
43	107	1.98548
44	107	1.94004
45	107	1.82375
46	107	1.63575

47	107	1.35115
48	107	0.953456
49	107	0.484144
50	107	-0.0687961
51	107	-0.665426
52	107	-1.24944
53	107	-1.75192
54	107	-2.02111
55	107	-2.12758
56	107	-1.9998
57	107	-1.56814
58	107	-1.1296
59	107	-0.77944
60	107	-0.508738
61	107	-0.436066
62	107	-0.478605
63	107	-0.802895
64	107	-1.2976
65	107	-2.08579
66	107	-3.10315
67	107	-4.29582
68	107	-5.42814
69	107	-6.1187
70	107	-6.08232
71	107	-5.34231
72	107	-4.31348
73	107	-3.31495
74	107	-2.58778
75	107	-2.1416
76	107	-2.02156
77	107	-2.23938
78	107	-2.81346
79	107	-3.82601
80	107	-5.37081
81	107	-7.50738
82	107	-10.5246
83	107	-13.0132
84	107	-11.9847
85	107	-8.78699
86	107	-6.23154
87	107	-4.49704
88	107	-3.33111
89	107	-2.69583
90	107	-2.54527
91	107	-2.7586
92	107	-3.5325
93	107	-4.71857
94	107	-6.97904
95	107	-10.4766
96	107	-16.5564
97	107	-20.0419
98	107	-12.6048
99	107	-8.25462
100	107	-5.78269
101	107	-4.12251
102	107	-3.12216
103	107	-2.60283
104	107	-2.53956
105	107	-2.86115
106	107	-3.6654
107	107	-4.82355
108	107	-6.13035
109	107	-7.57859
110	107	-8.54455
111	107	-7.98812
112	107	-6.47389
113	107	-4.85594
114	107	-3.47392
115	107	-2.46236
116	107	-1.60862
117	107	-1.36108
118	107	-1.25889
119	107	-1.40102
120	107	-1.78264
121	107	-2.33622
122	107	-2.88467
123	107	-3.41377
124	107	-3.7098
125	107	-3.56036
126	107	-3.03371
127	107	-2.23656
128	107	-1.35785
129	107	-0.532395
130	107	0.185264
131	107	0.731152
132	107	1.06067
133	107	1.22366
134	107	1.28607
135	107	1.19777
136	107	1.00036
137	107	0.704457
138	107	0.474629
139	107	0.290509
140	107	-0.0470011
141	107	-0.178756

142	107	-0.192996
143	107	-0.0441012
144	107	0.235606
145	107	0.584126
146	107	0.983359
147	107	1.40344
148	107	1.82773
149	107	2.13329
150	107	2.43971
151	107	2.74508
152	107	2.96761
153	107	3.13228
154	107	3.23439
155	107	3.32588
156	107	3.36557
157	107	3.41445
158	107	3.41426
159	107	3.40751
160	107	3.41576
161	107	3.38442
162	107	3.35808
163	107	3.35128
164	107	3.30246
165	107	3.3833
166	107	3.38117
167	107	3.39765
168	107	3.43331
169	107	3.4773
170	107	3.56049
171	107	3.61325
172	107	3.64597
173	107	3.73457
174	107	3.76806
175	107	3.80948
176	107	3.85117
177	107	3.92431
178	107	3.98101
179	107	4.08261
180	107	4.17976
-180	108	4.10889
-179	108	4.18431
-178	108	4.20962
-177	108	4.207
-176	108	4.19778
-175	108	4.18288
-174	108	4.15885
-173	108	4.15822
-172	108	4.15236
-171	108	4.14892
-170	108	4.13005
-169	108	4.04324
-168	108	3.99002
-167	108	3.94032
-166	108	3.90527
-165	108	3.81477
-164	108	3.74148
-163	108	3.67341
-162	108	3.60292
-161	108	3.53414
-160	108	3.4597
-159	108	3.35347
-158	108	3.27623
-157	108	3.19127
-156	108	3.11
-155	108	2.99768
-154	108	2.90847
-153	108	2.77968
-152	108	2.63497
-151	108	2.49962
-150	108	2.35081
-149	108	2.19239
-148	108	2.04658
-147	108	1.89734
-146	108	1.7822
-145	108	1.67436
-144	108	1.65094
-143	108	1.67595
-142	108	1.73785
-141	108	1.82083
-140	108	1.91979
-139	108	2.00681
-138	108	2.02067
-137	108	2.07623
-136	108	2.04254
-135	108	1.93043
-134	108	1.73987
-133	108	1.44861
-132	108	1.06247
-131	108	0.581681
-130	108	0.0229588
-129	108	-0.575876
-128	108	-1.14625
-127	108	-1.63891
-126	108	-1.93066
-125	108	-1.9812

-124	108	-1.82518
-123	108	-1.51605
-122	108	-1.10614
-121	108	-0.69843
-120	108	-0.434137
-119	108	-0.351046
-118	108	-0.423259
-117	108	-0.75144
-116	108	-1.28296
-115	108	-2.02369
-114	108	-3.02324
-113	108	-4.1653
-112	108	-5.31013
-111	108	-6.10524
-110	108	-6.19296
-109	108	-5.60555
-108	108	-4.67029
-107	108	-3.70346
-106	108	-2.95832
-105	108	-2.51522
-104	108	-2.39118
-103	108	-2.62956
-102	108	-3.30239
-101	108	-4.35376
-100	108	-5.82827
-99	108	-8.06162
-98	108	-11.1258
-97	108	-13.282
-96	108	-11.7871
-95	108	-8.57429
-94	108	-6.23628
-93	108	-4.49228
-92	108	-3.34264
-91	108	-2.71916
-90	108	-2.51747
-89	108	-2.6871
-88	108	-3.36163
-87	108	-4.53319
-86	108	-6.52659
-85	108	-9.90539
-84	108	-15.7648
-83	108	-20.4264
-82	108	-13.1931
-81	108	-8.50282
-80	108	-5.70156
-79	108	-3.9784
-78	108	-2.91911
-77	108	-2.34083
-76	108	-2.20772
-75	108	-2.48644
-74	108	-3.17543
-73	108	-4.23368
-72	108	-5.64639
-71	108	-7.11843
-70	108	-8.11984
-69	108	-7.91674
-68	108	-6.5952
-67	108	-4.96032
-66	108	-3.4991
-65	108	-2.46824
-64	108	-1.60883
-63	108	-1.25803
-62	108	-1.11694
-61	108	-1.24917
-60	108	-1.62352
-59	108	-2.17944
-58	108	-2.87536
-57	108	-3.58318
-56	108	-4.03662
-55	108	-3.97736
-54	108	-3.39881
-53	108	-2.52999
-52	108	-1.57223
-51	108	-0.631311
-50	108	0.155347
-49	108	0.738903
-48	108	1.15469
-47	108	1.42521
-46	108	1.5119
-45	108	1.4667
-44	108	1.36314
-43	108	1.1966
-42	108	0.887267
-41	108	0.525898
-40	108	0.21152
-39	108	-0.044473
-38	108	-0.155517
-37	108	-0.121482
-36	108	0.0461915
-35	108	0.324415
-34	108	0.706879
-33	108	1.07924
-32	108	1.48833
-31	108	1.87416
-30	108	2.22564

-29	108	2.53969
-28	108	2.76428
-27	108	2.994
-26	108	3.14973
-25	108	3.25631
-24	108	3.3078
-23	108	3.36518
-22	108	3.3816
-21	108	3.39702
-20	108	3.40567
-19	108	3.39834
-18	108	3.35393
-17	108	3.32093
-16	108	3.27065
-15	108	3.33205
-14	108	3.33786
-13	108	3.32913
-12	108	3.36709
-11	108	3.39532
-10	108	3.45507
-9	108	3.48941
-8	108	3.51041
-7	108	3.56133
-6	108	3.60613
-5	108	3.61869
-4	108	3.71205
-3	108	3.75673
-2	108	3.83805
-1	108	3.90707
0	108	4.01221
1	108	4.07881
2	108	4.09671
3	108	4.08797
4	108	4.0823
5	108	4.06941
6	108	4.05312
7	108	4.05235
8	108	4.05729
9	108	4.0741
10	108	4.06294
11	108	4.00416
12	108	3.95781
13	108	3.91286
14	108	3.86473
15	108	3.78771
16	108	3.69693
17	108	3.62919
18	108	3.58217
19	108	3.51621
20	108	3.43154
21	108	3.32888
22	108	3.23955
23	108	3.1438
24	108	3.06092
25	108	2.95864
26	108	2.8612
27	108	2.72763
28	108	2.61652
29	108	2.47569
30	108	2.33066
31	108	2.19378
32	108	2.05335
33	108	1.92097
34	108	1.80833
35	108	1.73582
36	108	1.69474
37	108	1.68007
38	108	1.72168
39	108	1.78659
40	108	1.87011
41	108	1.94426
42	108	1.95781
43	108	2.01755
44	108	1.9756
45	108	1.84826
46	108	1.63651
47	108	1.34827
48	108	0.958346
49	108	0.530727
50	108	-0.0576537
51	108	-0.647303
52	108	-1.24654
53	108	-1.75476
54	108	-2.06324
55	108	-2.14018
56	108	-2.01514
57	108	-1.69911
58	108	-1.28746
59	108	-0.879894
60	108	-0.618732
61	108	-0.517495
62	108	-0.579824
63	108	-0.906798
64	108	-1.43134
65	108	-2.17136

66	108	-3.17488
67	108	-4.33537
68	108	-5.51519
69	108	-6.22244
70	108	-6.31486
71	108	-5.64746
72	108	-4.6747
73	108	-3.69222
74	108	-2.88448
75	108	-2.4424
76	108	-2.3138
77	108	-2.50046
78	108	-3.09948
79	108	-4.08905
80	108	-5.55367
81	108	-7.77818
82	108	-10.7424
83	108	-13.2041
84	108	-12.026
85	108	-8.87319
86	108	-6.28535
87	108	-4.50584
88	108	-3.33934
89	108	-2.69559
90	108	-2.49507
91	108	-2.6884
92	108	-3.37758
93	108	-4.57861
94	108	-6.67784
95	108	-9.95034
96	108	-15.7083
97	108	-20.9557
98	108	-13.7058
99	108	-8.94149
100	108	-6.11036
101	108	-4.34496
102	108	-3.30588
103	108	-2.68415
104	108	-2.52622
105	108	-2.75701
106	108	-3.42096
107	108	-4.44352
108	108	-5.75205
109	108	-7.19983
110	108	-8.19667
111	108	-8.15667
112	108	-6.95196
113	108	-5.32753
114	108	-3.83947
115	108	-2.79445
116	108	-1.93904
117	108	-1.52921
118	108	-1.34744
119	108	-1.41753
120	108	-1.70487
121	108	-2.1805
122	108	-2.79729
123	108	-3.40417
124	108	-3.79796
125	108	-3.74244
126	108	-3.24803
127	108	-2.48929
128	108	-1.61902
129	108	-0.744429
130	108	0.0169897
131	108	0.566053
132	108	0.962821
133	108	1.21222
134	108	1.29668
135	108	1.24598
136	108	1.12978
137	108	0.941472
138	108	0.630954
139	108	0.360142
140	108	0.0481767
141	108	-0.151379
142	108	-0.200292
143	108	-0.114758
144	108	0.0992552
145	108	0.398618
146	108	0.76657
147	108	1.13973
148	108	1.55208
149	108	1.93636
150	108	2.26423
151	108	2.58296
152	108	2.78613
153	108	2.98858
154	108	3.11438
155	108	3.23496
156	108	3.2875
157	108	3.34625
158	108	3.38244
159	108	3.39661
160	108	3.4153

161	108	3.39998
162	108	3.37759
163	108	3.37198
164	108	3.35313
165	108	3.40695
166	108	3.40739
167	108	3.40748
168	108	3.44552
169	108	3.47884
170	108	3.54896
171	108	3.59157
172	108	3.59872
173	108	3.65772
174	108	3.69536
175	108	3.74999
176	108	3.81838
177	108	3.84495
178	108	3.92679
179	108	4.00997
180	108	4.10889
-180	109	3.94409
-179	109	4.00707
-178	109	4.05773
-177	109	4.04934
-176	109	4.03677
-175	109	4.0017
-174	109	3.99365
-173	109	3.97425
-172	109	3.95523
-171	109	3.95336
-170	109	3.93918
-169	109	3.8982
-168	109	3.83204
-167	109	3.78108
-166	109	3.7279
-165	109	3.63619
-164	109	3.58117
-163	109	3.52438
-162	109	3.45431
-161	109	3.39506
-160	109	3.32442
-159	109	3.2541
-158	109	3.18971
-157	109	3.11272
-156	109	3.05024
-155	109	2.94535
-154	109	2.85052
-153	109	2.73833
-152	109	2.60159
-151	109	2.45659
-150	109	2.31545
-149	109	2.16813
-148	109	2.02096
-147	109	1.86858
-146	109	1.77016
-145	109	1.6925
-144	109	1.66721
-143	109	1.70409
-142	109	1.75888
-141	109	1.8508
-140	109	1.94354
-139	109	2.0294
-138	109	2.08885
-137	109	2.09002
-136	109	2.05349
-135	109	1.94327
-134	109	1.74969
-133	109	1.47248
-132	109	1.08565
-131	109	0.608472
-130	109	0.046354
-129	109	-0.560178
-128	109	-1.16801
-127	109	-1.65564
-126	109	-1.99281
-125	109	-2.07356
-124	109	-1.9036
-123	109	-1.57952
-122	109	-1.19112
-121	109	-0.805552
-120	109	-0.539469
-119	109	-0.431288
-118	109	-0.479738
-117	109	-0.760349
-116	109	-1.25253
-115	109	-1.99429
-114	109	-2.98686
-113	109	-4.13103
-112	109	-5.35484
-111	109	-6.28073
-110	109	-6.39572
-109	109	-5.78664
-108	109	-4.80584
-107	109	-3.85189
-106	109	-3.1011

-105	109	-2.63879
-104	109	-2.50296
-103	109	-2.76942
-102	109	-3.42668
-101	109	-4.45669
-100	109	-5.94957
-99	109	-8.21372
-98	109	-11.2269
-97	109	-13.7427
-96	109	-12.3296
-95	109	-8.97374
-94	109	-6.5025
-93	109	-4.71427
-92	109	-3.48274
-91	109	-2.80248
-90	109	-2.57858
-89	109	-2.71699
-88	109	-3.3488
-87	109	-4.46548
-86	109	-6.37583
-85	109	-9.58663
-84	109	-15.3501
-83	109	-22.6382
-82	109	-14.064
-81	109	-9.17003
-80	109	-6.01347
-79	109	-4.12423
-78	109	-2.97072
-77	109	-2.33484
-76	109	-2.14037
-75	109	-2.33887
-74	109	-2.89773
-73	109	-3.88043
-72	109	-5.22518
-71	109	-6.80546
-70	109	-8.11408
-69	109	-8.22266
-68	109	-6.98163
-67	109	-5.33183
-66	109	-3.9929
-65	109	-2.85793
-64	109	-1.99793
-63	109	-1.48239
-62	109	-1.23677
-61	109	-1.26534
-60	109	-1.55251
-59	109	-2.04378
-58	109	-2.62405
-57	109	-3.26089
-56	109	-3.7312
-55	109	-3.82011
-54	109	-3.48287
-53	109	-2.73325
-52	109	-1.7663
-51	109	-0.854249
-50	109	-0.0977766
-49	109	0.53797
-48	109	1.02128
-47	109	1.35089
-46	109	1.50202
-45	109	1.55163
-44	109	1.48326
-43	109	1.26647
-42	109	1.02465
-41	109	0.705345
-40	109	0.370339
-39	109	0.106291
-38	109	-0.0646809
-37	109	-0.139504
-36	109	-0.0651079
-35	109	0.090464
-34	109	0.428006
-33	109	0.750271
-32	109	1.17923
-31	109	1.55514
-30	109	1.91403
-29	109	2.22598
-28	109	2.53984
-27	109	2.73543
-26	109	2.91991
-25	109	3.08966
-24	109	3.16527
-23	109	3.22884
-22	109	3.27475
-21	109	3.32157
-20	109	3.34316
-19	109	3.34987
-18	109	3.32351
-17	109	3.25835
-16	109	3.23867
-15	109	3.28399
-14	109	3.28208
-13	109	3.27947
-12	109	3.33165
-11	109	3.34443

-10	109	3.36859
-9	109	3.37356
-8	109	3.39389
-7	109	3.44158
-6	109	3.49813
-5	109	3.5033
-4	109	3.60246
-3	109	3.66994
-2	109	3.74101
-1	109	3.79691
0	109	3.87562
1	109	3.92982
2	109	3.97726
3	109	3.96861
4	109	3.95814
5	109	3.91553
6	109	3.90176
7	109	3.89589
8	109	3.89165
9	109	3.89831
10	109	3.89552
11	109	3.87394
12	109	3.82352
13	109	3.76158
14	109	3.69051
15	109	3.63715
16	109	3.58025
17	109	3.55965
18	109	3.44526
19	109	3.38815
20	109	3.30648
21	109	3.22603
22	109	3.14169
23	109	3.06225
24	109	2.98196
25	109	2.88668
26	109	2.79078
27	109	2.67657
28	109	2.57101
29	109	2.436
30	109	2.28709
31	109	2.16568
32	109	2.02635
33	109	1.90715
34	109	1.81628
35	109	1.74368
36	109	1.71563
37	109	1.72751
38	109	1.75016
39	109	1.8534
40	109	1.92413
41	109	1.99228
42	109	2.04924
43	109	2.06004
44	109	2.0131
45	109	1.88641
46	109	1.68071
47	109	1.40432
48	109	1.0004
49	109	0.539546
50	109	-0.0190017
51	109	-0.620111
52	109	-1.21887
53	109	-1.72591
54	109	-2.05865
55	109	-2.1543
56	109	-1.9975
57	109	-1.70053
58	109	-1.32544
59	109	-0.94546
60	109	-0.692536
61	109	-0.559561
62	109	-0.611976
63	109	-0.901353
64	109	-1.39006
65	109	-2.1295
66	109	-3.12551
67	109	-4.25039
68	109	-5.46623
69	109	-6.36033
70	109	-6.46847
71	109	-5.91112
72	109	-4.95022
73	109	-3.95652
74	109	-3.16424
75	109	-2.69093
76	109	-2.54668
77	109	-2.7263
78	109	-3.32589
79	109	-4.2621
80	109	-5.77151
81	109	-8.03504
82	109	-11.0644
83	109	-13.8608
84	109	-12.5661

85	109	-9.2073
86	109	-6.52397
87	109	-4.68425
88	109	-3.4431
89	109	-2.77887
90	109	-2.56144
91	109	-2.6984
92	109	-3.37003
93	109	-4.50922
94	109	-6.489
95	109	-9.65546
96	109	-15.2878
97	109	-23.3837
98	109	-14.6801
99	109	-9.59125
100	109	-6.5084
101	109	-4.53794
102	109	-3.35527
103	109	-2.73862
104	109	-2.49938
105	109	-2.65756
106	109	-3.18597
107	109	-4.13295
108	109	-5.36499
109	109	-6.86185
110	109	-8.16126
111	109	-8.32977
112	109	-7.18755
113	109	-5.63375
114	109	-4.24892
115	109	-3.12343
116	109	-2.26379
117	109	-1.72558
118	109	-1.4669
119	109	-1.42864
120	109	-1.66006
121	109	-2.08794
122	109	-2.63066
123	109	-3.2012
124	109	-3.62933
125	109	-3.73145
126	109	-3.39879
127	109	-2.75563
128	109	-1.87825
129	109	-1.03253
130	109	-0.284786
131	109	0.250005
132	109	0.726919
133	109	1.07366
134	109	1.26102
135	109	1.27753
136	109	1.20612
137	109	1.00343
138	109	0.770541
139	109	0.499291
140	109	0.231591
141	109	0.0057306
142	109	-0.0918156
143	109	-0.0901582
144	109	0.0172811
145	109	0.216548
146	109	0.561278
147	109	0.906124
148	109	1.28361
149	109	1.64777
150	109	2.00238
151	109	2.31998
152	109	2.59526
153	109	2.78535
154	109	2.9465
155	109	3.08168
156	109	3.16954
157	109	3.24387
158	109	3.27975
159	109	3.31519
160	109	3.34267
161	109	3.35124
162	109	3.33876
163	109	3.32601
164	109	3.31894
165	109	3.35823
166	109	3.35051
167	109	3.34455
168	109	3.40033
169	109	3.40736
170	109	3.44317
171	109	3.47012
172	109	3.48482
173	109	3.52929
174	109	3.57408
175	109	3.62095
176	109	3.68447
177	109	3.75983
178	109	3.80232
179	109	3.87

180	109	3.94409
-180	110	3.69655
-179	110	3.73918
-178	110	3.80353
-177	110	3.823
-176	110	3.79145
-175	110	3.78315
-174	110	3.74399
-173	110	3.73399
-172	110	3.71552
-171	110	3.69949
-170	110	3.67054
-169	110	3.65654
-168	110	3.60113
-167	110	3.56331
-166	110	3.49926
-165	110	3.45603
-164	110	3.39775
-163	110	3.29796
-162	110	3.26493
-161	110	3.21821
-160	110	3.18174
-159	110	3.12246
-158	110	3.05171
-157	110	2.9945
-156	110	2.90873
-155	110	2.83643
-154	110	2.74211
-153	110	2.64366
-152	110	2.50959
-151	110	2.33893
-150	110	2.22919
-149	110	2.08447
-148	110	1.93315
-147	110	1.81524
-146	110	1.71396
-145	110	1.65894
-144	110	1.64997
-143	110	1.67983
-142	110	1.73415
-141	110	1.82415
-140	110	1.93185
-139	110	2.01777
-138	110	2.07257
-137	110	2.0827
-136	110	2.04876
-135	110	1.94184
-134	110	1.74519
-133	110	1.46841
-132	110	1.08523
-131	110	0.614761
-130	110	0.0613693
-129	110	-0.532562
-128	110	-1.18966
-127	110	-1.61925
-126	110	-1.96673
-125	110	-2.08208
-124	110	-1.9486
-123	110	-1.62999
-122	110	-1.25264
-121	110	-0.91446
-120	110	-0.624841
-119	110	-0.486231
-118	110	-0.555444
-117	110	-0.822479
-116	110	-1.30044
-115	110	-2.02431
-114	110	-2.95897
-113	110	-4.11324
-112	110	-5.30696
-111	110	-6.19261
-110	110	-6.33953
-109	110	-5.82005
-108	110	-4.85887
-107	110	-3.87274
-106	110	-3.14235
-105	110	-2.64304
-104	110	-2.54493
-103	110	-2.74118
-102	110	-3.38412
-101	110	-4.43523
-100	110	-5.89894
-99	110	-8.18081
-98	110	-11.2151
-97	110	-14.3149
-96	110	-12.8971
-95	110	-9.70163
-94	110	-6.92063
-93	110	-5.01032
-92	110	-3.75447
-91	110	-2.99024
-90	110	-2.73286
-89	110	-2.85024
-88	110	-3.45183
-87	110	-4.58112

-86	110	-6.37335
-85	110	-9.33944
-84	110	-14.7445
-83	110	-23.9152
-82	110	-14.5576
-81	110	-9.26182
-80	110	-6.27615
-79	110	-4.35879
-78	110	-3.10832
-77	110	-2.33406
-76	110	-2.04854
-75	110	-2.20413
-74	110	-2.71992
-73	110	-3.62079
-72	110	-4.92606
-71	110	-6.50159
-70	110	-8.04301
-69	110	-8.67159
-68	110	-7.77689
-67	110	-6.11739
-66	110	-4.51399
-65	110	-3.24006
-64	110	-2.40239
-63	110	-1.81855
-62	110	-1.45057
-61	110	-1.38127
-60	110	-1.5532
-59	110	-1.89169
-58	110	-2.39425
-57	110	-2.96874
-56	110	-3.42653
-55	110	-3.64618
-54	110	-3.36189
-53	110	-2.69293
-52	110	-1.84567
-51	110	-1.02546
-50	110	-0.342941
-49	110	0.296038
-48	110	0.833953
-47	110	1.24154
-46	110	1.43389
-45	110	1.49878
-44	110	1.46149
-43	110	1.3278
-42	110	1.13471
-41	110	0.836011
-40	110	0.510321
-39	110	0.212713
-38	110	-0.00579853
-37	110	-0.14991
-36	110	-0.16026
-35	110	-0.10336
-34	110	0.136976
-33	110	0.400951
-32	110	0.803574
-31	110	1.17697
-30	110	1.5403
-29	110	1.89258
-28	110	2.17568
-27	110	2.42926
-26	110	2.63256
-25	110	2.81592
-24	110	2.92322
-23	110	3.02142
-22	110	3.07986
-21	110	3.16089
-20	110	3.20888
-19	110	3.22511
-18	110	3.20598
-17	110	3.18725
-16	110	3.15273
-15	110	3.17484
-14	110	3.15816
-13	110	3.1391
-12	110	3.14957
-11	110	3.18534
-10	110	3.19933
-9	110	3.20148
-8	110	3.22281
-7	110	3.24198
-6	110	3.29301
-5	110	3.33477
-4	110	3.40382
-3	110	3.4843
-2	110	3.5579
-1	110	3.60482
0	110	3.63747
1	110	3.66835
2	110	3.739
3	110	3.76551
4	110	3.73498
5	110	3.70725
6	110	3.66384
7	110	3.65836
8	110	3.65278

9	110	3.65248
10	110	3.64407
11	110	3.64052
12	110	3.59441
13	110	3.56316
14	110	3.48575
15	110	3.44433
16	110	3.3651
17	110	3.26526
18	110	3.25765
19	110	3.20027
20	110	3.14333
21	110	3.06912
22	110	2.99587
23	110	2.93176
24	110	2.84979
25	110	2.76842
26	110	2.68195
27	110	2.57298
28	110	2.4551
29	110	2.33449
30	110	2.18716
31	110	2.06607
32	110	1.94972
33	110	1.84024
34	110	1.76739
35	110	1.72111
36	110	1.7125
37	110	1.73498
38	110	1.76726
39	110	1.84578
40	110	1.93279
41	110	2.00691
42	110	2.06033
43	110	2.06689
44	110	2.02504
45	110	1.93688
46	110	1.70602
47	110	1.43032
48	110	1.04026
49	110	0.562182
50	110	-0.00456538
51	110	-0.591008
52	110	-1.23961
53	110	-1.67094
54	110	-2.0002
55	110	-2.10824
56	110	-1.98387
57	110	-1.70052
58	110	-1.32417
59	110	-0.987195
60	110	-0.715863
61	110	-0.575991
62	110	-0.627242
63	110	-0.888656
64	110	-1.35426
65	110	-2.08724
66	110	-3.00616
67	110	-4.16058
68	110	-5.35341
69	110	-6.26989
70	110	-6.36691
71	110	-5.94493
72	110	-5.00494
73	110	-4.0418
74	110	-3.29419
75	110	-2.79817
76	110	-2.60932
77	110	-2.77815
78	110	-3.35065
79	110	-4.29715
80	110	-5.81539
81	110	-8.05655
82	110	-11.1894
83	110	-14.3916
84	110	-13.2693
85	110	-9.75977
86	110	-6.96212
87	110	-4.99273
88	110	-3.75947
89	110	-2.9999
90	110	-2.70691
91	110	-2.82217
92	110	-3.46142
93	110	-4.59878
94	110	-6.46517
95	110	-9.40167
96	110	-14.7017
97	110	-24.6763
98	110	-15.2838
99	110	-9.74872
100	110	-6.71836
101	110	-4.83169
102	110	-3.53826
103	110	-2.75693

104	110	-2.40601
105	110	-2.52202
106	110	-2.99921
107	110	-3.83224
108	110	-5.13394
109	110	-6.53952
110	110	-7.98175
111	110	-8.61909
112	110	-7.85704
113	110	-6.28273
114	110	-4.72357
115	110	-3.45049
116	110	-2.63973
117	110	-2.04924
118	110	-1.66423
119	110	-1.56607
120	110	-1.71948
121	110	-1.98789
122	110	-2.47781
123	110	-3.03591
124	110	-3.49138
125	110	-3.7134
126	110	-3.44102
127	110	-2.75193
128	110	-1.98
129	110	-1.23296
130	110	-0.540421
131	110	0.064553
132	110	0.589954
133	110	1.01242
134	110	1.22421
135	110	1.27595
136	110	1.26383
137	110	1.14107
138	110	0.968815
139	110	0.709169
140	110	0.43692
141	110	0.191262
142	110	0.0493122
143	110	-0.0605074
144	110	-0.0120277
145	110	0.106365
146	110	0.363765
147	110	0.667072
148	110	1.00124
149	110	1.35456
150	110	1.70108
151	110	2.05039
152	110	2.31693
153	110	2.55348
154	110	2.71583
155	110	2.86596
156	110	2.97972
157	110	3.06035
158	110	3.1178
159	110	3.17328
160	110	3.23052
161	110	3.23623
162	110	3.22663
163	110	3.21785
164	110	3.20717
165	110	3.24214
166	110	3.22401
167	110	3.20527
168	110	3.2205
169	110	3.23399
170	110	3.26154
171	110	3.28715
172	110	3.30142
173	110	3.33318
174	110	3.37883
175	110	3.42734
176	110	3.48881
177	110	3.55458
178	110	3.61547
179	110	3.65652
180	110	3.69655
-180	111	3.43422
-179	111	3.45056
-178	111	3.5047
-177	111	3.52804
-176	111	3.53331
-175	111	3.5266
-174	111	3.47716
-173	111	3.4479
-172	111	3.4187
-171	111	3.39627
-170	111	3.37185
-169	111	3.36912
-168	111	3.35134
-167	111	3.30084
-166	111	3.25624
-165	111	3.21718
-164	111	3.13814
-163	111	3.08261

-162	111	3.03785
-161	111	2.97997
-160	111	2.99194
-159	111	2.90522
-158	111	2.87214
-157	111	2.8127
-156	111	2.73818
-155	111	2.67772
-154	111	2.59515
-153	111	2.47982
-152	111	2.36894
-151	111	2.23769
-150	111	2.09396
-149	111	1.94815
-148	111	1.81883
-147	111	1.69068
-146	111	1.61259
-145	111	1.56119
-144	111	1.54961
-143	111	1.58311
-142	111	1.65115
-141	111	1.73968
-140	111	1.83835
-139	111	1.92292
-138	111	1.98041
-137	111	2.00186
-136	111	1.97502
-135	111	1.86591
-134	111	1.68041
-133	111	1.39991
-132	111	1.03311
-131	111	0.572341
-130	111	0.0439017
-129	111	-0.533691
-128	111	-1.09486
-127	111	-1.56613
-126	111	-1.90609
-125	111	-2.04154
-124	111	-1.94016
-123	111	-1.6479
-122	111	-1.37506
-121	111	-0.930788
-120	111	-0.676558
-119	111	-0.575254
-118	111	-0.621557
-117	111	-0.890328
-116	111	-1.38372
-115	111	-2.09396
-114	111	-2.98204
-113	111	-4.08314
-112	111	-5.30444
-111	111	-6.12826
-110	111	-6.32184
-109	111	-5.77855
-108	111	-4.84182
-107	111	-3.86752
-106	111	-3.11008
-105	111	-2.67387
-104	111	-2.49557
-103	111	-2.65803
-102	111	-3.2799
-101	111	-4.25713
-100	111	-5.70842
-99	111	-7.94991
-98	111	-10.9719
-97	111	-14.4566
-96	111	-13.8561
-95	111	-10.5123
-94	111	-7.5639
-93	111	-5.50604
-92	111	-4.13901
-91	111	-3.33729
-90	111	-3.00385
-89	111	-3.07447
-88	111	-3.61584
-87	111	-4.67372
-86	111	-6.376
-85	111	-9.21856
-84	111	-14.2465
-83	111	-22.8168
-82	111	-15.0465
-81	111	-9.62357
-80	111	-6.48735
-79	111	-4.41545
-78	111	-3.15695
-77	111	-2.44694
-76	111	-2.1333
-75	111	-2.18187
-74	111	-2.5935
-73	111	-3.42805
-72	111	-4.71683
-71	111	-6.38759
-70	111	-8.08555
-69	111	-9.01768
-68	111	-8.39531

-67	111	-6.71943
-66	111	-5.01717
-65	111	-3.56052
-64	111	-2.55503
-63	111	-1.89703
-62	111	-1.3638
-61	111	-1.19254
-60	111	-1.27423
-59	111	-1.56783
-58	111	-2.03158
-57	111	-2.58179
-56	111	-3.12537
-55	111	-3.45307
-54	111	-3.39262
-53	111	-2.96045
-52	111	-2.29836
-51	111	-1.4814
-50	111	-0.68956
-49	111	0.0226324
-48	111	0.55943
-47	111	0.912141
-46	111	1.19678
-45	111	1.36171
-44	111	1.39169
-43	111	1.31831
-42	111	1.15504
-41	111	0.921387
-40	111	0.642911
-39	111	0.309588
-38	111	0.05873
-37	111	-0.137054
-36	111	-0.207233
-35	111	-0.213629
-34	111	-0.109751
-33	111	0.0960281
-32	111	0.44687
-31	111	0.789178
-30	111	1.13495
-29	111	1.48659
-28	111	1.78434
-27	111	2.05779
-26	111	2.29344
-25	111	2.50272
-24	111	2.60439
-23	111	2.70978
-22	111	2.80337
-21	111	2.91535
-20	111	3.00104
-19	111	2.99875
-18	111	3.01762
-17	111	2.99902
-16	111	2.98547
-15	111	2.95691
-14	111	2.96708
-13	111	2.95744
-12	111	2.96372
-11	111	2.97539
-10	111	2.97613
-9	111	2.96794
-8	111	3.00103
-7	111	3.02506
-6	111	3.06935
-5	111	3.11354
-4	111	3.15719
-3	111	3.24911
-2	111	3.3104
-1	111	3.35007
0	111	3.35308
1	111	3.35249
2	111	3.42245
3	111	3.46716
4	111	3.47054
5	111	3.44532
6	111	3.39033
7	111	3.36477
8	111	3.35545
9	111	3.35837
10	111	3.33512
11	111	3.33534
12	111	3.31496
13	111	3.28472
14	111	3.23089
15	111	3.19475
16	111	3.10831
17	111	3.05046
18	111	3.01855
19	111	2.94608
20	111	2.94145
21	111	2.85827
22	111	2.83698
23	111	2.7444
24	111	2.6884
25	111	2.60092
26	111	2.52681
27	111	2.41378

28	111	2.30645
29	111	2.18525
30	111	2.05446
31	111	1.93788
32	111	1.82815
33	111	1.71865
34	111	1.63553
35	111	1.59966
36	111	1.59134
37	111	1.61576
38	111	1.67011
39	111	1.74576
40	111	1.83012
41	111	1.91516
42	111	1.97398
43	111	1.99108
44	111	1.94754
45	111	1.83373
46	111	1.64718
47	111	1.36998
48	111	0.995427
49	111	0.531526
50	111	0.00035435
51	111	-0.574966
52	111	-1.11735
53	111	-1.5965
54	111	-1.9187
55	111	-2.04065
56	111	-1.94182
57	111	-1.66553
58	111	-1.38899
59	111	-0.954794
60	111	-0.718565
61	111	-0.616042
62	111	-0.680428
63	111	-0.943347
64	111	-1.4129
65	111	-2.1411
66	111	-3.03416
67	111	-4.11833
68	111	-5.27758
69	111	-6.11835
70	111	-6.31825
71	111	-5.8624
72	111	-4.96964
73	111	-3.99532
74	111	-3.26638
75	111	-2.77529
76	111	-2.57808
77	111	-2.68597
78	111	-3.24572
79	111	-4.15619
80	111	-5.63344
81	111	-7.77286
82	111	-10.9084
83	111	-14.3525
84	111	-14.2642
85	111	-10.5984
86	111	-7.61978
87	111	-5.49544
88	111	-4.12356
89	111	-3.32522
90	111	-3.0134
91	111	-3.06135
92	111	-3.64007
93	111	-4.71433
94	111	-6.48297
95	111	-9.33486
96	111	-14.3733
97	111	-23.8415
98	111	-15.7434
99	111	-10.0888
100	111	-6.88993
101	111	-4.88119
102	111	-3.60394
103	111	-2.87424
104	111	-2.52308
105	111	-2.4801
106	111	-2.85418
107	111	-3.64606
108	111	-4.86019
109	111	-6.41391
110	111	-7.97294
111	111	-8.88087
112	111	-8.41037
113	111	-6.8804
114	111	-5.2854
115	111	-3.83017
116	111	-2.83474
117	111	-2.17219
118	111	-1.63784
119	111	-1.45217
120	111	-1.50832
121	111	-1.77351
122	111	-2.20158

123	111	-2.74258
124	111	-3.23976
125	111	-3.48735
126	111	-3.39123
127	111	-2.96064
128	111	-2.36016
129	111	-1.57553
130	111	-0.783766
131	111	-0.110115
132	111	0.399992
133	111	0.787212
134	111	1.06833
135	111	1.22173
136	111	1.24814
137	111	1.18995
138	111	1.05152
139	111	0.855269
140	111	0.610288
141	111	0.336704
142	111	0.160442
143	111	0.0227798
144	111	-0.0556666
145	111	-0.0040514
146	111	0.157864
147	111	0.397787
148	111	0.670392
149	111	0.985451
150	111	1.33185
151	111	1.66631
152	111	1.95035
153	111	2.19882
154	111	2.39173
155	111	2.58143
156	111	2.66551
157	111	2.74648
158	111	2.83917
159	111	2.93196
160	111	3.00496
161	111	3.01231
162	111	3.01436
163	111	3.02533
164	111	3.02418
165	111	3.01087
166	111	3.0171
167	111	3.00357
168	111	3.0196
169	111	3.02715
170	111	3.02978
171	111	3.03769
172	111	3.05931
173	111	3.07526
174	111	3.13792
175	111	3.19172
176	111	3.25188
177	111	3.32048
178	111	3.38398
179	111	3.42088
180	111	3.43422
-180	112	3.19021
-179	112	3.18299
-178	112	3.21523
-177	112	3.24771
-176	112	3.31672
-175	112	3.25759
-174	112	3.2001
-173	112	3.1489
-172	112	3.11959
-171	112	3.08138
-170	112	3.06007
-169	112	3.05743
-168	112	3.055
-167	112	3.02994
-166	112	2.98485
-165	112	2.95574
-164	112	2.89
-163	112	2.81567
-162	112	2.7631
-161	112	2.73469
-160	112	2.72809
-159	112	2.67774
-158	112	2.64018
-157	112	2.57741
-156	112	2.55439
-155	112	2.484
-154	112	2.39917
-153	112	2.31224
-152	112	2.1925
-151	112	2.05543
-150	112	1.87095
-149	112	1.75127
-148	112	1.62933
-147	112	1.52386
-146	112	1.44426
-145	112	1.39178
-144	112	1.38293

-143	112	1.41629
-142	112	1.48319
-141	112	1.57329
-140	112	1.68415
-139	112	1.78302
-138	112	1.83554
-137	112	1.85946
-136	112	1.83604
-135	112	1.73126
-134	112	1.54938
-133	112	1.27742
-132	112	0.917151
-131	112	0.476945
-130	112	-0.0364401
-129	112	-0.604859
-128	112	-1.17337
-127	112	-1.65102
-126	112	-1.95854
-125	112	-2.02308
-124	112	-1.90634
-123	112	-1.61929
-122	112	-1.26017
-121	112	-0.954643
-120	112	-0.68838
-119	112	-0.546737
-118	112	-0.64424
-117	112	-0.940958
-116	112	-1.42891
-115	112	-2.15061
-114	112	-3.03509
-113	112	-4.17091
-112	112	-5.33744
-111	112	-6.20992
-110	112	-6.4135
-109	112	-5.84645
-108	112	-4.89318
-107	112	-3.92502
-106	112	-3.17164
-105	112	-2.66818
-104	112	-2.47357
-103	112	-2.58148
-102	112	-3.17669
-101	112	-4.0061
-100	112	-5.445
-99	112	-7.42289
-98	112	-10.3655
-97	112	-13.9441
-96	112	-14.4508
-95	112	-11.3274
-94	112	-8.22726
-93	112	-6.02234
-92	112	-4.57394
-91	112	-3.70873
-90	112	-3.25736
-89	112	-3.2781
-88	112	-3.76567
-87	112	-4.77886
-86	112	-6.3248
-85	112	-8.97322
-84	112	-13.5556
-83	112	-21.2135
-82	112	-15.6091
-81	112	-10.1194
-80	112	-6.87778
-79	112	-4.81161
-78	112	-3.39039
-77	112	-2.5889
-76	112	-2.21614
-75	112	-2.24445
-74	112	-2.61439
-73	112	-3.37239
-72	112	-4.57067
-71	112	-6.18229
-70	112	-8.03401
-69	112	-9.33177
-68	112	-8.96751
-67	112	-7.14723
-66	112	-5.30687
-65	112	-3.78872
-64	112	-2.58863
-63	112	-1.9076
-62	112	-1.29871
-61	112	-1.03019
-60	112	-1.03834
-59	112	-1.25961
-58	112	-1.6606
-57	112	-2.18302
-56	112	-2.75378
-55	112	-3.16547
-54	112	-3.33389
-53	112	-3.14674
-52	112	-2.6241
-51	112	-1.9257
-50	112	-1.21489
-49	112	-0.513208

-48	112	0.126203
-47	112	0.607537
-46	112	0.940772
-45	112	1.1745
-44	112	1.27773
-43	112	1.26571
-42	112	1.17607
-41	112	0.961521
-40	112	0.740418
-39	112	0.451883
-38	112	0.226989
-37	112	-0.0694725
-36	112	-0.228438
-35	112	-0.33214
-34	112	-0.290272
-33	112	-0.157515
-32	112	0.0684016
-31	112	0.381018
-30	112	0.696325
-29	112	1.01886
-28	112	1.33127
-27	112	1.59747
-26	112	1.8625
-25	112	2.06014
-24	112	2.2278
-23	112	2.36166
-22	112	2.49554
-21	112	2.60675
-20	112	2.69899
-19	112	2.7407
-18	112	2.74276
-17	112	2.76468
-16	112	2.79902
-15	112	2.75851
-14	112	2.7845
-13	112	2.77979
-12	112	2.79495
-11	112	2.80395
-10	112	2.79555
-9	112	2.78573
-8	112	2.82371
-7	112	2.83119
-6	112	2.86654
-5	112	2.91931
-4	112	2.93836
-3	112	3.02907
-2	112	3.09926
-1	112	3.12709
0	112	3.10426
1	112	3.06566
2	112	3.12416
3	112	3.18308
4	112	3.25749
5	112	3.18307
6	112	3.11699
7	112	3.06742
8	112	3.07285
9	112	3.0558
10	112	3.03431
11	112	3.04501
12	112	3.04378
13	112	3.01988
14	112	2.96565
15	112	2.93505
16	112	2.87642
17	112	2.80571
18	112	2.7582
19	112	2.72311
20	112	2.69587
21	112	2.62667
22	112	2.60248
23	112	2.53027
24	112	2.49216
25	112	2.41463
26	112	2.32561
27	112	2.23304
28	112	2.12552
29	112	2.00454
30	112	1.87806
31	112	1.75488
32	112	1.64649
33	112	1.53155
34	112	1.44468
35	112	1.41364
36	112	1.40013
37	112	1.42908
38	112	1.48357
39	112	1.56249
40	112	1.66723
41	112	1.74873
42	112	1.82017
43	112	1.82582
44	112	1.78473
45	112	1.68072
46	112	1.49664

47	112	1.22798
48	112	0.869222
49	112	0.423412
50	112	-0.093377
51	112	-0.649803
52	112	-1.1927
53	112	-1.65516
54	112	-1.96382
55	112	-2.02953
56	112	-1.90106
57	112	-1.62622
58	112	-1.28017
59	112	-0.981971
60	112	-0.719434
61	112	-0.596022
62	112	-0.706642
63	112	-0.998427
64	112	-1.46122
65	112	-2.13931
66	112	-3.07059
67	112	-4.1691
68	112	-5.30521
69	112	-6.1119
70	112	-6.32152
71	112	-5.86081
72	112	-4.95114
73	112	-4.02796
74	112	-3.24712
75	112	-2.74645
76	112	-2.52389
77	112	-2.55378
78	112	-3.10673
79	112	-3.97886
80	112	-5.3934
81	112	-7.40244
82	112	-10.3193
83	112	-13.7465
84	112	-14.7253
85	112	-11.2801
86	112	-8.20294
87	112	-5.98809
88	112	-4.5222
89	112	-3.64477
90	112	-3.27694
91	112	-3.33853
92	112	-3.79743
93	112	-4.80703
94	112	-6.52714
95	112	-9.17123
96	112	-13.6904
97	112	-21.7544
98	112	-16.4393
99	112	-10.6307
100	112	-7.2388
101	112	-5.1404
102	112	-3.79123
103	112	-2.99068
104	112	-2.57921
105	112	-2.58262
106	112	-2.84888
107	112	-3.5621
108	112	-4.64218
109	112	-6.13415
110	112	-7.79689
111	112	-9.01432
112	112	-8.90016
113	112	-7.36964
114	112	-5.63109
115	112	-4.13768
116	112	-2.94796
117	112	-2.24649
118	112	-1.60525
119	112	-1.31637
120	112	-1.28356
121	112	-1.45775
122	112	-1.82506
123	112	-2.31615
124	112	-2.80947
125	112	-3.12351
126	112	-3.22654
127	112	-3.04014
128	112	-2.55782
129	112	-1.92113
130	112	-1.21497
131	112	-0.557333
132	112	0.0476157
133	112	0.53747
134	112	0.884441
135	112	1.10622
136	112	1.19627
137	112	1.19543
138	112	1.12157
139	112	0.929893
140	112	0.74066
141	112	0.499538

142	112	0.248648
143	112	0.0689466
144	112	-0.06585
145	112	-0.151273
146	112	-0.0565429
147	112	0.0708794
148	112	0.276757
149	112	0.552658
150	112	0.878453
151	112	1.19183
152	112	1.47718
153	112	1.73362
154	112	1.95648
155	112	2.13222
156	112	2.27964
157	112	2.40162
158	112	2.52661
159	112	2.63296
160	112	2.71783
161	112	2.74165
162	112	2.74786
163	112	2.78211
164	112	2.82702
165	112	2.79372
166	112	2.82851
167	112	2.82117
168	112	2.8356
169	112	2.84383
170	112	2.84615
171	112	2.85289
172	112	2.87402
173	112	2.89344
174	112	2.94394
175	112	2.98965
176	112	3.05021
177	112	3.10767
178	112	3.16595
179	112	3.20598
180	112	3.19021
-180	113	3.04023
-179	113	3.00098
-178	113	2.98976
-177	113	3.06927
-176	113	3.12292
-175	113	3.0776
-174	113	3.00302
-173	113	2.93181
-172	113	2.87645
-171	113	2.83276
-170	113	2.80319
-169	113	2.80594
-168	113	2.82929
-167	113	2.80186
-166	113	2.75557
-165	113	2.70308
-164	113	2.67505
-163	113	2.59318
-162	113	2.54716
-161	113	2.51181
-160	113	2.50033
-159	113	2.49045
-158	113	2.44266
-157	113	2.41557
-156	113	2.35729
-155	113	2.28564
-154	113	2.21401
-153	113	2.11374
-152	113	1.98834
-151	113	1.85192
-150	113	1.70237
-149	113	1.54837
-148	113	1.41662
-147	113	1.31798
-146	113	1.22894
-145	113	1.16784
-144	113	1.14876
-143	113	1.20908
-142	113	1.28878
-141	113	1.38504
-140	113	1.49197
-139	113	1.58736
-138	113	1.64592
-137	113	1.67082
-136	113	1.63325
-135	113	1.52991
-134	113	1.3429
-133	113	1.06524
-132	113	0.717716
-131	113	0.283507
-130	113	-0.223237
-129	113	-0.773044
-128	113	-1.30582
-127	113	-1.74727
-126	113	-2.00268
-125	113	-2.04852

-124	113	-1.90394
-123	113	-1.61807
-122	113	-1.28059
-121	113	-0.951452
-120	113	-0.756195
-119	113	-0.619801
-118	113	-0.639758
-117	113	-0.943962
-116	113	-1.45908
-115	113	-2.18812
-114	113	-3.10562
-113	113	-4.22785
-112	113	-5.35774
-111	113	-6.32259
-110	113	-6.54962
-109	113	-5.96581
-108	113	-5.00345
-107	113	-4.07111
-106	113	-3.24465
-105	113	-2.69271
-104	113	-2.50554
-103	113	-2.6831
-102	113	-3.04146
-101	113	-3.85233
-100	113	-5.1271
-99	113	-7.03652
-98	113	-9.80635
-97	113	-12.9527
-96	113	-13.8867
-95	113	-11.6216
-94	113	-8.61684
-93	113	-6.37201
-92	113	-4.84287
-91	113	-3.90085
-90	113	-3.4385
-89	113	-3.38102
-88	113	-3.81366
-87	113	-4.69593
-86	113	-6.20193
-85	113	-8.57789
-84	113	-12.4808
-83	113	-19.1101
-82	113	-16.7766
-81	113	-10.897
-80	113	-7.4708
-79	113	-5.15814
-78	113	-3.83293
-77	113	-2.89054
-76	113	-2.45401
-75	113	-2.41131
-74	113	-2.7406
-73	113	-3.48234
-72	113	-4.62225
-71	113	-6.11015
-70	113	-7.82323
-69	113	-9.13481
-68	113	-8.94837
-67	113	-7.45382
-66	113	-5.60611
-65	113	-4.08102
-64	113	-2.77642
-63	113	-1.99596
-62	113	-1.41227
-61	113	-1.02916
-60	113	-0.960435
-59	113	-1.12781
-58	113	-1.42695
-57	113	-1.90689
-56	113	-2.43165
-55	113	-3.04947
-54	113	-3.50553
-53	113	-3.54739
-52	113	-3.12303
-51	113	-2.47006
-50	113	-1.77373
-49	113	-1.01292
-48	113	-0.312126
-47	113	0.229072
-46	113	0.656111
-45	113	0.953666
-44	113	1.14031
-43	113	1.16108
-42	113	1.23205
-41	113	1.03648
-40	113	0.828076
-39	113	0.568437
-38	113	0.283014
-37	113	-0.00230114
-36	113	-0.197576
-35	113	-0.382746
-34	113	-0.415779
-33	113	-0.356248
-32	113	-0.239657
-31	113	-0.0217334
-30	113	0.264669

-29	113	0.559998
-28	113	0.879875
-27	113	1.15769
-26	113	1.4107
-25	113	1.63819
-24	113	1.83885
-23	113	2.0422
-22	113	2.15188
-21	113	2.3065
-20	113	2.42825
-19	113	2.4856
-18	113	2.5323
-17	113	2.6034
-16	113	2.65324
-15	113	2.61228
-14	113	2.64666
-13	113	2.65625
-12	113	2.66186
-11	113	2.67343
-10	113	2.68333
-9	113	2.68001
-8	113	2.69202
-7	113	2.73302
-6	113	2.77261
-5	113	2.83115
-4	113	2.83273
-3	113	2.9235
-2	113	2.9892
-1	113	3.00339
0	113	2.96597
1	113	2.89618
2	113	2.89844
3	113	3.00593
4	113	3.09505
5	113	3.03149
6	113	2.94662
7	113	2.87333
8	113	2.84103
9	113	2.79584
10	113	2.80701
11	113	2.828
12	113	2.8442
13	113	2.80742
14	113	2.76512
15	113	2.72518
16	113	2.68774
17	113	2.61094
18	113	2.5564
19	113	2.514
20	113	2.47995
21	113	2.44838
22	113	2.40415
23	113	2.37017
24	113	2.29727
25	113	2.21981
26	113	2.15493
27	113	2.10324
28	113	1.9595
29	113	1.82394
30	113	1.68869
31	113	1.55311
32	113	1.43342
33	113	1.35819
34	113	1.23656
35	113	1.16673
36	113	1.18075
37	113	1.20322
38	113	1.28093
39	113	1.3785
40	113	1.4776
41	113	1.57041
42	113	1.61213
43	113	1.62837
44	113	1.59499
45	113	1.48866
46	113	1.29862
47	113	1.03584
48	113	0.679784
49	113	0.233181
50	113	-0.279697
51	113	-0.82988
52	113	-1.3462
53	113	-1.75919
54	113	-2.01002
55	113	-2.03644
56	113	-1.8886
57	113	-1.60999
58	113	-1.29109
59	113	-1.00182
60	113	-0.806216
61	113	-0.689201
62	113	-0.698747
63	113	-0.98783
64	113	-1.49541
65	113	-2.2231

66	113	-3.13451
67	113	-4.20542
68	113	-5.31891
69	113	-6.1639
70	113	-6.44587
71	113	-5.97424
72	113	-5.0587
73	113	-4.07849
74	113	-3.29737
75	113	-2.74977
76	113	-2.52654
77	113	-2.56191
78	113	-3.14389
79	113	-3.8525
80	113	-5.15498
81	113	-7.07341
82	113	-9.843
83	113	-12.9212
84	113	-14.237
85	113	-11.5766
86	113	-8.55934
87	113	-6.32336
88	113	-4.80106
89	113	-3.81845
90	113	-3.39957
91	113	-3.43899
92	113	-3.83752
93	113	-4.76565
94	113	-6.37032
95	113	-8.74233
96	113	-12.5612
97	113	-19.3253
98	113	-17.7255
99	113	-11.2408
100	113	-7.89357
101	113	-5.59728
102	113	-4.15948
103	113	-3.22094
104	113	-2.73732
105	113	-2.68922
106	113	-2.91255
107	113	-3.59931
108	113	-4.68199
109	113	-6.08143
110	113	-7.68853
111	113	-8.91247
112	113	-8.93436
113	113	-7.70809
114	113	-5.96399
115	113	-4.47584
116	113	-3.20163
117	113	-2.32408
118	113	-1.74725
119	113	-1.30625
120	113	-1.20654
121	113	-1.31081
122	113	-1.5877
123	113	-1.99452
124	113	-2.48474
125	113	-2.97582
126	113	-3.3486
127	113	-3.38065
128	113	-3.01968
129	113	-2.42668
130	113	-1.71696
131	113	-1.01757
132	113	-0.353692
133	113	0.194456
134	113	0.609625
135	113	0.881949
136	113	1.06286
137	113	1.08569
138	113	1.07437
139	113	1.01509
140	113	0.783356
141	113	0.55912
142	113	0.292954
143	113	0.0637156
144	113	-0.0988643
145	113	-0.250708
146	113	-0.283272
147	113	-0.23083
148	113	-0.089648
149	113	0.112654
150	113	0.413116
151	113	0.730522
152	113	1.02554
153	113	1.27896
154	113	1.49536
155	113	1.72639
156	113	1.90342
157	113	2.05003
158	113	2.18875
159	113	2.33014
160	113	2.45576

161	113	2.50778
162	113	2.54744
163	113	2.61724
164	113	2.68152
165	113	2.63624
166	113	2.67899
167	113	2.69046
168	113	2.71008
169	113	2.71269
170	113	2.71727
171	113	2.73258
172	113	2.75958
173	113	2.80247
174	113	2.84466
175	113	2.88767
176	113	2.94156
177	113	2.99905
178	113	3.07246
179	113	3.0585
180	113	3.04023
-180	114	2.94079
-179	114	2.88456
-178	114	2.81559
-177	114	2.91983
-176	114	2.95983
-175	114	2.96117
-174	114	2.87088
-173	114	2.78935
-172	114	2.72733
-171	114	2.67925
-170	114	2.64114
-169	114	2.66648
-168	114	2.68704
-167	114	2.66775
-166	114	2.63726
-165	114	2.59656
-164	114	2.57882
-163	114	2.45988
-162	114	2.42677
-161	114	2.39127
-160	114	2.37358
-159	114	2.32663
-158	114	2.32034
-157	114	2.27189
-156	114	2.22755
-155	114	2.17055
-154	114	2.06898
-153	114	1.95411
-152	114	1.80817
-151	114	1.66991
-150	114	1.50872
-149	114	1.36918
-148	114	1.22726
-147	114	1.12299
-146	114	1.03068
-145	114	0.974769
-144	114	0.963728
-143	114	1.01633
-142	114	1.09188
-141	114	1.19333
-140	114	1.29719
-139	114	1.38661
-138	114	1.44415
-137	114	1.47162
-136	114	1.4333
-135	114	1.31298
-134	114	1.12957
-133	114	0.837156
-132	114	0.46918
-131	114	0.0221361
-130	114	-0.478906
-129	114	-1.02912
-128	114	-1.52358
-127	114	-1.93449
-126	114	-2.16143
-125	114	-2.18841
-124	114	-1.99282
-123	114	-1.68873
-122	114	-1.33363
-121	114	-1.02187
-120	114	-0.797287
-119	114	-0.735709
-118	114	-0.809146
-117	114	-1.01266
-116	114	-1.46921
-115	114	-2.22975
-114	114	-3.1784
-113	114	-4.28306
-112	114	-5.42528
-111	114	-6.30277
-110	114	-6.5124
-109	114	-6.00814
-108	114	-5.15684
-107	114	-4.17716
-106	114	-3.35479

-105	114	-2.79043
-104	114	-2.53567
-103	114	-2.61497
-102	114	-3.03288
-101	114	-3.83692
-100	114	-4.98911
-99	114	-6.78218
-98	114	-9.15303
-97	114	-12.145
-96	114	-13.3002
-95	114	-11.6298
-94	114	-8.72508
-93	114	-6.50684
-92	114	-4.94908
-91	114	-3.96987
-90	114	-3.47706
-89	114	-3.34689
-88	114	-3.69082
-87	114	-4.48149
-86	114	-5.87157
-85	114	-8.04184
-84	114	-11.4518
-83	114	-17.3369
-82	114	-18.0454
-81	114	-11.9918
-80	114	-8.25153
-79	114	-5.86178
-78	114	-4.29018
-77	114	-3.22107
-76	114	-2.67499
-75	114	-2.55108
-74	114	-2.80541
-73	114	-3.41277
-72	114	-4.43959
-71	114	-5.82951
-70	114	-7.42098
-69	114	-8.78199
-68	114	-8.81794
-67	114	-7.52904
-66	114	-5.76888
-65	114	-4.19953
-64	114	-2.9201
-63	114	-1.99158
-62	114	-1.4647
-61	114	-0.987779
-60	114	-0.865546
-59	114	-0.920245
-58	114	-1.21131
-57	114	-1.66125
-56	114	-2.33258
-55	114	-3.03386
-54	114	-3.58484
-53	114	-3.79773
-52	114	-3.56778
-51	114	-3.06093
-50	114	-2.34507
-49	114	-1.54187
-48	114	-0.812537
-47	114	-0.187432
-46	114	0.300635
-45	114	0.677386
-44	114	0.938806
-43	114	1.08481
-42	114	1.09041
-41	114	1.04532
-40	114	0.910758
-39	114	0.647073
-38	114	0.408349
-37	114	0.146476
-36	114	-0.109558
-35	114	-0.347456
-34	114	-0.455645
-33	114	-0.490128
-32	114	-0.423516
-31	114	-0.287267
-30	114	-0.0672195
-29	114	0.228275
-28	114	0.540476
-27	114	0.798926
-26	114	1.0505
-25	114	1.30914
-24	114	1.51753
-23	114	1.73415
-22	114	1.89994
-21	114	2.06966
-20	114	2.21656
-19	114	2.34282
-18	114	2.41502
-17	114	2.48198
-16	114	2.55472
-15	114	2.51839
-14	114	2.57018
-13	114	2.60006
-12	114	2.63151
-11	114	2.65129

-10	114	2.66526
-9	114	2.68145
-8	114	2.71594
-7	114	2.74263
-6	114	2.76038
-5	114	2.80353
-4	114	2.78957
-3	114	2.84969
-2	114	2.91672
-1	114	2.91132
0	114	2.85896
1	114	2.77168
2	114	2.70744
3	114	2.83998
4	114	2.93884
5	114	2.93352
6	114	2.8172
7	114	2.73493
8	114	2.68532
9	114	2.66786
10	114	2.62518
11	114	2.65533
12	114	2.67946
13	114	2.65358
14	114	2.62016
15	114	2.58411
16	114	2.57508
17	114	2.46498
18	114	2.43348
19	114	2.39368
20	114	2.36778
21	114	2.31746
22	114	2.28906
23	114	2.23714
24	114	2.18477
25	114	2.13754
26	114	2.03804
27	114	1.94147
28	114	1.80065
29	114	1.69817
30	114	1.53844
31	114	1.3831
32	114	1.23888
33	114	1.12309
34	114	1.02634
35	114	0.96535
36	114	0.955282
37	114	1.00095
38	114	1.06925
39	114	1.16028
40	114	1.25636
41	114	1.31423
42	114	1.36788
43	114	1.38887
44	114	1.35378
45	114	1.23702
46	114	1.0451
47	114	0.762339
48	114	0.400035
49	114	-0.0470534
50	114	-0.550968
51	114	-1.0903
52	114	-1.5693
53	114	-1.95715
54	114	-2.17138
55	114	-2.17484
56	114	-1.99165
57	114	-1.69429
58	114	-1.3612
59	114	-1.05562
60	114	-0.825233
61	114	-0.776866
62	114	-0.856298
63	114	-1.0493
64	114	-1.51151
65	114	-2.25712
66	114	-3.19356
67	114	-4.25278
68	114	-5.37613
69	114	-6.24202
70	114	-6.49211
71	114	-6.06191
72	114	-5.17658
73	114	-4.23794
74	114	-3.42101
75	114	-2.84962
76	114	-2.57839
77	114	-2.63494
78	114	-3.04401
79	114	-3.86709
80	114	-5.10113
81	114	-6.91744
82	114	-9.31729
83	114	-12.483
84	114	-13.9043

85	114	-11.6447
86	114	-8.70966
87	114	-6.51481
88	114	-4.95736
89	114	-3.97781
90	114	-3.45553
91	114	-3.42054
92	114	-3.74362
93	114	-4.56227
94	114	-6.02829
95	114	-8.18428
96	114	-11.602
97	114	-17.5199
98	114	-18.8513
99	114	-12.4671
100	114	-8.56272
101	114	-6.14248
102	114	-4.56723
103	114	-3.52811
104	114	-2.95684
105	114	-2.8225
106	114	-3.0651
107	114	-3.53622
108	114	-4.49579
109	114	-5.81197
110	114	-7.35933
111	114	-8.6575
112	114	-8.93488
113	114	-7.81779
114	114	-6.16443
115	114	-4.61435
116	114	-3.31781
117	114	-2.31569
118	114	-1.76437
119	114	-1.28765
120	114	-1.09829
121	114	-1.13189
122	114	-1.35786
123	114	-1.81928
124	114	-2.39626
125	114	-2.97851
126	114	-3.41902
127	114	-3.61168
128	114	-3.44653
129	114	-2.94623
130	114	-2.28711
131	114	-1.56796
132	114	-0.888856
133	114	-0.265342
134	114	0.225034
135	114	0.590646
136	114	0.821937
137	114	0.973311
138	114	0.97977
139	114	0.930839
140	114	0.816254
141	114	0.579849
142	114	0.360882
143	114	0.11944
144	114	-0.0850236
145	114	-0.263849
146	114	-0.348941
147	114	-0.380374
148	114	-0.337943
149	114	-0.159461
150	114	0.098969
151	114	0.397138
152	114	0.688798
153	114	0.925078
154	114	1.15376
155	114	1.4026
156	114	1.6016
157	114	1.79924
158	114	1.95699
159	114	2.10774
160	114	2.24118
161	114	2.36178
162	114	2.43085
163	114	2.5009
164	114	2.5859
165	114	2.56389
166	114	2.62196
167	114	2.66281
168	114	2.69553
169	114	2.70472
170	114	2.71935
171	114	2.75899
172	114	2.79493
173	114	2.8218
174	114	2.85522
175	114	2.88482
176	114	2.91688
177	114	2.95613
178	114	2.97347
179	114	2.97655

180	114	2.94079
-180	115	2.90588
-179	115	2.79946
-178	115	2.76667
-177	115	2.82261
-176	115	2.86757
-175	115	2.86545
-174	115	2.80528
-173	115	2.71623
-172	115	2.63786
-171	115	2.58251
-170	115	2.54144
-169	115	2.54187
-168	115	2.57761
-167	115	2.5587
-166	115	2.53989
-165	115	2.50493
-164	115	2.51313
-163	115	2.41125
-162	115	2.37132
-161	115	2.32953
-160	115	2.29905
-159	115	2.27057
-158	115	2.23906
-157	115	2.18238
-156	115	2.13647
-155	115	2.05376
-154	115	1.95084
-153	115	1.84281
-152	115	1.7118
-151	115	1.55015
-150	115	1.36378
-149	115	1.2436
-148	115	1.09367
-147	115	0.977214
-146	115	0.878713
-145	115	0.817796
-144	115	0.81416
-143	115	0.853956
-142	115	0.932511
-141	115	1.03404
-140	115	1.15341
-139	115	1.24627
-138	115	1.30231
-137	115	1.31795
-136	115	1.27079
-135	115	1.1302
-134	115	0.92583
-133	115	0.621782
-132	115	0.228367
-131	115	-0.236542
-130	115	-0.759149
-129	115	-1.29939
-128	115	-1.79303
-127	115	-2.16694
-126	115	-2.35299
-125	115	-2.32509
-124	115	-2.10919
-123	115	-1.77563
-122	115	-1.42772
-121	115	-1.13334
-120	115	-0.889556
-119	115	-0.80032
-118	115	-0.903996
-117	115	-1.22521
-116	115	-1.64846
-115	115	-2.25693
-114	115	-3.16549
-113	115	-4.33743
-112	115	-5.49223
-111	115	-6.34495
-110	115	-6.5732
-109	115	-6.11721
-108	115	-5.21903
-107	115	-4.2694
-106	115	-3.482
-105	115	-2.93951
-104	115	-2.64695
-103	115	-2.7282
-102	115	-3.09342
-101	115	-3.76535
-100	115	-4.99548
-99	115	-6.75411
-98	115	-9.01963
-97	115	-11.7601
-96	115	-12.9434
-95	115	-11.4209
-94	115	-8.7052
-93	115	-6.5426
-92	115	-4.96261
-91	115	-3.9623
-90	115	-3.43229
-89	115	-3.28115
-88	115	-3.51598
-87	115	-4.23433

-86	115	-5.49137
-85	115	-7.48497
-84	115	-10.5414
-83	115	-15.7139
-82	115	-19.0739
-81	115	-13.1495
-80	115	-9.01818
-79	115	-6.42749
-78	115	-4.71955
-77	115	-3.61053
-76	115	-2.89144
-75	115	-2.67714
-74	115	-2.81463
-73	115	-3.32569
-72	115	-4.15321
-71	115	-5.43199
-70	115	-6.9044
-69	115	-8.2508
-68	115	-8.69698
-67	115	-7.76135
-66	115	-6.21917
-65	115	-4.59549
-64	115	-3.31115
-63	115	-2.26957
-62	115	-1.68458
-61	115	-1.15097
-60	115	-0.906399
-59	115	-0.945316
-58	115	-1.21942
-57	115	-1.69507
-56	115	-2.32896
-55	115	-3.00276
-54	115	-3.62223
-53	115	-4.02056
-52	115	-3.96786
-51	115	-3.56636
-50	115	-2.94401
-49	115	-2.15206
-48	115	-1.34972
-47	115	-0.651369
-46	115	-0.0576583
-45	115	0.386369
-44	115	0.706513
-43	115	0.896651
-42	115	1.00826
-41	115	0.997003
-40	115	0.949354
-39	115	0.774886
-38	115	0.555949
-37	115	0.312302
-36	115	0.0524494
-35	115	-0.176707
-34	115	-0.350478
-33	115	-0.450995
-32	115	-0.444554
-31	115	-0.350766
-30	115	-0.222675
-29	115	0.0242142
-28	115	0.296642
-27	115	0.531268
-26	115	0.776501
-25	115	1.06903
-24	115	1.31708
-23	115	1.5296
-22	115	1.74255
-21	115	1.92078
-20	115	2.07968
-19	115	2.20496
-18	115	2.31268
-17	115	2.42145
-16	115	2.53719
-15	115	2.52442
-14	115	2.58347
-13	115	2.61665
-12	115	2.64223
-11	115	2.65736
-10	115	2.67467
-9	115	2.70149
-8	115	2.73305
-7	115	2.74865
-6	115	2.77477
-5	115	2.80552
-4	115	2.78619
-3	115	2.8384
-2	115	2.87835
-1	115	2.88215
0	115	2.83491
1	115	2.7036
2	115	2.66199
3	115	2.75081
4	115	2.85275
5	115	2.86763
6	115	2.77097
7	115	2.67513
8	115	2.60178

9	115	2.56494
10	115	2.55017
11	115	2.53796
12	115	2.56366
13	115	2.54977
14	115	2.52465
15	115	2.48343
16	115	2.51457
17	115	2.40257
18	115	2.36371
19	115	2.32145
20	115	2.29248
21	115	2.25338
22	115	2.23478
23	115	2.17743
24	115	2.13694
25	115	2.08101
26	115	1.96743
27	115	1.86909
28	115	1.75392
29	115	1.59855
30	115	1.41681
31	115	1.27105
32	115	1.11481
33	115	0.993771
34	115	0.89014
35	115	0.816586
36	115	0.819313
37	115	0.860054
38	115	0.936428
39	115	1.03083
40	115	1.10194
41	115	1.17185
42	115	1.21928
43	115	1.23314
44	115	1.18184
45	115	1.04692
46	115	0.834142
47	115	0.53351
48	115	0.158661
49	115	-0.29862
50	115	-0.807785
51	115	-1.339
52	115	-1.83603
53	115	-2.22313
54	115	-2.41327
55	115	-2.37424
56	115	-2.13737
57	115	-1.79772
58	115	-1.45489
59	115	-1.15034
60	115	-0.926858
61	115	-0.836228
62	115	-0.952843
63	115	-1.27301
64	115	-1.67154
65	115	-2.26623
66	115	-3.15201
67	115	-4.27266
68	115	-5.43214
69	115	-6.29777
70	115	-6.53425
71	115	-6.1247
72	115	-5.24806
73	115	-4.33866
74	115	-3.51135
75	115	-2.99136
76	115	-2.65453
77	115	-2.71709
78	115	-3.08168
79	115	-3.8545
80	115	-5.07458
81	115	-6.85089
82	115	-9.18929
83	115	-12.2407
84	115	-13.6428
85	115	-11.6598
86	115	-8.88954
87	115	-6.67906
88	115	-5.08834
89	115	-4.07634
90	115	-3.50091
91	115	-3.40176
92	115	-3.61321
93	115	-4.37167
94	115	-5.68717
95	115	-7.65059
96	115	-10.7184
97	115	-16.0972
98	115	-20.1321
99	115	-13.8103
100	115	-9.35591
101	115	-6.67856
102	115	-4.94828
103	115	-3.81092

104	115	-3.15833
105	115	-2.92133
106	115	-3.02275
107	115	-3.48487
108	115	-4.18951
109	115	-5.37926
110	115	-6.78788
111	115	-8.14029
112	115	-8.76239
113	115	-8.05216
114	115	-6.58865
115	115	-5.0186
116	115	-3.72076
117	115	-2.62302
118	115	-1.99609
119	115	-1.41511
120	115	-1.1302
121	115	-1.09972
122	115	-1.35351
123	115	-1.81186
124	115	-2.35263
125	115	-2.90849
126	115	-3.44686
127	115	-3.79243
128	115	-3.78623
129	115	-3.42424
130	115	-2.84147
131	115	-2.11758
132	115	-1.41862
133	115	-0.722208
134	115	-0.168403
135	115	0.25362
136	115	0.568219
137	115	0.77085
138	115	0.86711
139	115	0.864638
140	115	0.82544
141	115	0.652971
142	115	0.394435
143	115	0.221133
144	115	0.0155301
145	115	-0.190802
146	115	-0.317177
147	115	-0.390806
148	115	-0.372475
149	115	-0.255189
150	115	-0.0761225
151	115	0.169903
152	115	0.403057
153	115	0.635358
154	115	0.874524
155	115	1.14327
156	115	1.37069
157	115	1.58824
158	115	1.77999
159	115	1.93513
160	115	2.10275
161	115	2.22634
162	115	2.33082
163	115	2.43829
164	115	2.53846
165	115	2.52728
166	115	2.5941
167	115	2.639
168	115	2.68637
169	115	2.70272
170	115	2.71099
171	115	2.75981
172	115	2.80519
173	115	2.83687
174	115	2.8679
175	115	2.90192
176	115	2.91921
177	115	2.94218
178	115	2.95535
179	115	2.95771
180	115	2.90588
-180	116	2.81935
-179	116	2.69872
-178	116	2.71904
-177	116	2.71246
-176	116	2.76912
-175	116	2.77227
-174	116	2.74177
-173	116	2.65408
-172	116	2.57502
-171	116	2.50417
-170	116	2.42826
-169	116	2.45571
-168	116	2.48696
-167	116	2.51349
-166	116	2.49979
-165	116	2.45123
-164	116	2.49203
-163	116	2.387

-162	116	2.33971
-161	116	2.29052
-160	116	2.25447
-159	116	2.22247
-158	116	2.19267
-157	116	2.13271
-156	116	2.06812
-155	116	1.96986
-154	116	1.87909
-153	116	1.76256
-152	116	1.60382
-151	116	1.44795
-150	116	1.31755
-149	116	1.12598
-148	116	0.989118
-147	116	0.862604
-146	116	0.770218
-145	116	0.711314
-144	116	0.710111
-143	116	0.773478
-142	116	0.863386
-141	116	0.964304
-140	116	1.07328
-139	116	1.14375
-138	116	1.19472
-137	116	1.19809
-136	116	1.12386
-135	116	0.985221
-134	116	0.764434
-133	116	0.444548
-132	116	0.0301171
-131	116	-0.467638
-130	116	-1.00997
-129	116	-1.57004
-128	116	-2.0774
-127	116	-2.43822
-126	116	-2.60255
-125	116	-2.52426
-124	116	-2.26517
-123	116	-1.89441
-122	116	-1.53784
-121	116	-1.24169
-120	116	-0.973838
-119	116	-0.9013
-118	116	-0.993727
-117	116	-1.29613
-116	116	-1.85437
-115	116	-2.56257
-114	116	-3.38719
-113	116	-4.40437
-112	116	-5.55914
-111	116	-6.37776
-110	116	-6.67426
-109	116	-6.20202
-108	116	-5.33378
-107	116	-4.35514
-106	116	-3.56552
-105	116	-3.03653
-104	116	-2.75246
-103	116	-2.821
-102	116	-3.08556
-101	116	-3.81651
-100	116	-4.97571
-99	116	-6.71892
-98	116	-8.90719
-97	116	-11.4402
-96	116	-13.1878
-95	116	-11.5033
-94	116	-8.73154
-93	116	-6.5544
-92	116	-4.9725
-91	116	-3.91597
-90	116	-3.34658
-89	116	-3.18475
-88	116	-3.38382
-87	116	-4.00134
-86	116	-5.16777
-85	116	-6.97831
-84	116	-9.80476
-83	116	-14.3363
-82	116	-19.8409
-81	116	-14.8063
-80	116	-9.97097
-79	116	-7.06967
-78	116	-5.16009
-77	116	-3.91589
-76	116	-3.12297
-75	116	-2.74765
-74	116	-2.79227
-73	116	-3.1759
-72	116	-3.92229
-71	116	-5.00608
-70	116	-6.39308
-69	116	-7.72343
-68	116	-8.50936

-67	116	-8.03742
-66	116	-6.72473
-65	116	-5.19631
-64	116	-3.84766
-63	116	-2.71787
-62	116	-1.9305
-61	116	-1.35454
-60	116	-1.11916
-59	116	-1.12777
-58	116	-1.33792
-57	116	-1.74218
-56	116	-2.27646
-55	116	-2.96698
-54	116	-3.61543
-53	116	-4.06521
-52	116	-4.16773
-51	116	-3.94555
-50	116	-3.44037
-49	116	-2.67131
-48	116	-1.78003
-47	116	-1.08167
-46	116	-0.404979
-45	116	0.10374
-44	116	0.501361
-43	116	0.754487
-42	116	0.938863
-41	116	1.00426
-40	116	1.00253
-39	116	0.90193
-38	116	0.722013
-37	116	0.519001
-36	116	0.290555
-35	116	0.079744
-34	116	-0.147839
-33	116	-0.287465
-32	116	-0.377277
-31	116	-0.35083
-30	116	-0.218185
-29	116	-0.0436592
-28	116	0.157938
-27	116	0.367707
-26	116	0.610921
-25	116	0.875337
-24	116	1.16731
-23	116	1.34701
-22	116	1.55369
-21	116	1.77291
-20	116	1.96611
-19	116	2.10058
-18	116	2.23271
-17	116	2.3619
-16	116	2.47079
-15	116	2.47691
-14	116	2.55271
-13	116	2.58507
-12	116	2.61825
-11	116	2.6329
-10	116	2.65875
-9	116	2.71008
-8	116	2.71299
-7	116	2.72327
-6	116	2.74142
-5	116	2.76023
-4	116	2.75788
-3	116	2.80026
-2	116	2.79048
-1	116	2.80869
0	116	2.76713
1	116	2.61694
2	116	2.6218
3	116	2.63788
4	116	2.74363
5	116	2.77333
6	116	2.72764
7	116	2.62592
8	116	2.54974
9	116	2.49311
10	116	2.45822
11	116	2.45511
12	116	2.48725
13	116	2.48732
14	116	2.47851
15	116	2.41071
16	116	2.46814
17	116	2.36428
18	116	2.32486
19	116	2.29614
20	116	2.25389
21	116	2.23263
22	116	2.19863
23	116	2.1525
24	116	2.08838
25	116	2.00525
26	116	1.92705
27	116	1.81096

28	116	1.67372
29	116	1.52621
30	116	1.3884
31	116	1.20663
32	116	1.05089
33	116	0.906309
34	116	0.810346
35	116	0.74841
36	116	0.739638
37	116	0.793131
38	116	0.868782
39	116	0.94417
40	116	1.03717
41	116	1.09058
42	116	1.11187
43	116	1.10825
44	116	1.04917
45	116	0.903803
46	116	0.685989
47	116	0.373946
48	116	-0.00744739
49	116	-0.490034
50	116	-1.02834
51	116	-1.58296
52	116	-2.09056
53	116	-2.44921
54	116	-2.60811
55	116	-2.54904
56	116	-2.26421
57	116	-1.91559
58	116	-1.55979
59	116	-1.24618
60	116	-1.01485
61	116	-0.947383
62	116	-1.04194
63	116	-1.33883
64	116	-1.89011
65	116	-2.58578
66	116	-3.39828
67	116	-4.36656
68	116	-5.49571
69	116	-6.37697
70	116	-6.65579
71	116	-6.22342
72	116	-5.38349
73	116	-4.40812
74	116	-3.58811
75	116	-3.03646
76	116	-2.74246
77	116	-2.80512
78	116	-3.15481
79	116	-3.89261
80	116	-5.077
81	116	-6.82116
82	116	-9.0872
83	116	-11.9363
84	116	-13.6383
85	116	-11.8926
86	116	-9.08133
87	116	-6.85706
88	116	-5.25973
89	116	-4.17861
90	116	-3.5431
91	116	-3.38247
92	116	-3.54244
93	116	-4.1929
94	116	-5.39036
95	116	-7.20658
96	116	-10.0721
97	116	-14.7487
98	116	-20.7463
99	116	-14.9381
100	116	-10.1128
101	116	-7.20995
102	116	-5.27617
103	116	-4.01796
104	116	-3.25736
105	116	-2.93158
106	116	-2.94111
107	116	-3.30673
108	116	-3.91046
109	116	-4.9293
110	116	-6.24563
111	116	-7.60903
112	116	-8.4789
113	116	-8.27654
114	116	-7.08848
115	116	-5.59368
116	116	-4.24728
117	116	-3.06513
118	116	-2.23713
119	116	-1.63599
120	116	-1.33879
121	116	-1.31323
122	116	-1.4828

123	116	-1.82221
124	116	-2.29832
125	116	-2.87455
126	116	-3.4569
127	116	-3.89363
128	116	-3.962
129	116	-3.79771
130	116	-3.31228
131	116	-2.6522
132	116	-1.84062
133	116	-1.17031
134	116	-0.544369
135	116	-0.0661641
136	116	0.323504
137	116	0.575115
138	116	0.743371
139	116	0.817917
140	116	0.825307
141	116	0.732489
142	116	0.566523
143	116	0.396482
144	116	0.212179
145	116	0.0129892
146	116	-0.147195
147	116	-0.249079
148	116	-0.29255
149	116	-0.25302
150	116	-0.115757
151	116	0.0909691
152	116	0.272317
153	116	0.470222
154	116	0.694178
155	116	0.930262
156	116	1.20988
157	116	1.40477
158	116	1.60509
159	116	1.78692
160	116	1.95733
161	116	2.08294
162	116	2.19708
163	116	2.32748
164	116	2.43267
165	116	2.42909
166	116	2.53185
167	116	2.58208
168	116	2.64045
169	116	2.65874
170	116	2.68989
171	116	2.74176
172	116	2.75694
173	116	2.78112
174	116	2.80581
175	116	2.81907
176	116	2.84301
177	116	2.85729
178	116	2.8644
179	116	2.86869
180	116	2.81935
-180	117	2.66729
-179	117	2.60911
-178	117	2.58283
-177	117	2.57209
-176	117	2.61599
-175	117	2.64065
-174	117	2.62208
-173	117	2.54762
-172	117	2.46921
-171	117	2.40691
-170	117	2.37502
-169	117	2.38566
-168	117	2.41232
-167	117	2.43489
-166	117	2.44443
-165	117	2.41599
-164	117	2.46076
-163	117	2.38644
-162	117	2.33075
-161	117	2.28298
-160	117	2.22426
-159	117	2.17357
-158	117	2.14683
-157	117	2.0815
-156	117	2.0007
-155	117	1.89714
-154	117	1.78142
-153	117	1.65696
-152	117	1.53977
-151	117	1.36523
-150	117	1.1952
-149	117	1.0337
-148	117	0.87637
-147	117	0.784396
-146	117	0.693372
-145	117	0.643174
-144	117	0.641232

-143	117	0.73421
-142	117	0.817531
-141	117	0.922749
-140	117	1.0298
-139	117	1.09737
-138	117	1.14225
-137	117	1.12744
-136	117	1.03533
-135	117	0.879998
-134	117	0.635864
-133	117	0.297658
-132	117	-0.127754
-131	117	-0.651146
-130	117	-1.22382
-129	117	-1.79313
-128	117	-2.29687
-127	117	-2.62809
-126	117	-2.77009
-125	117	-2.66211
-124	117	-2.38252
-123	117	-2.00485
-122	117	-1.64109
-121	117	-1.34698
-120	117	-1.11695
-119	117	-1.04903
-118	117	-1.15403
-117	117	-1.46597
-116	117	-1.97843
-115	117	-2.74923
-114	117	-3.71632
-113	117	-4.76545
-112	117	-5.66712
-111	117	-6.47106
-110	117	-6.71886
-109	117	-6.30922
-108	117	-5.42266
-107	117	-4.49262
-106	117	-3.68896
-105	117	-3.15164
-104	117	-2.86214
-103	117	-2.94281
-102	117	-3.20089
-101	117	-3.90587
-100	117	-5.07632
-99	117	-6.65697
-98	117	-8.90748
-97	117	-11.5297
-96	117	-13.356
-95	117	-11.7061
-94	117	-8.87035
-93	117	-6.63156
-92	117	-5.06846
-91	117	-3.95348
-90	117	-3.35692
-89	117	-3.15407
-88	117	-3.31103
-87	117	-3.86816
-86	117	-4.9178
-85	117	-6.54553
-84	117	-9.15314
-83	117	-13.3024
-82	117	-19.4219
-81	117	-16.2263
-80	117	-10.8375
-79	117	-7.6527
-78	117	-5.56167
-77	117	-4.19371
-76	117	-3.31596
-75	117	-2.81744
-74	117	-2.76385
-73	117	-3.0499
-72	117	-3.68634
-71	117	-4.62641
-70	117	-5.86837
-69	117	-7.23176
-68	117	-8.28314
-67	117	-8.35077
-66	117	-7.37411
-65	117	-5.85706
-64	117	-4.38407
-63	117	-3.22531
-62	117	-2.30081
-61	117	-1.71482
-60	117	-1.45081
-59	117	-1.32292
-58	117	-1.39673
-57	117	-1.68669
-56	117	-2.20386
-55	117	-2.85133
-54	117	-3.4427
-53	117	-3.956
-52	117	-4.20193
-51	117	-4.15027
-50	117	-3.75348
-49	117	-3.10003

-48	117	-2.26945
-47	117	-1.48837
-46	117	-0.776175
-45	117	-0.193916
-44	117	0.281288
-43	117	0.628291
-42	117	0.887058
-41	117	1.0357
-40	117	1.06734
-39	117	1.03001
-38	117	0.917953
-37	117	0.741935
-36	117	0.563642
-35	117	0.350879
-34	117	0.151473
-33	117	-0.00602684
-32	117	-0.146163
-31	117	-0.182493
-30	117	-0.116411
-29	117	0.025159
-28	117	0.130716
-27	117	0.277337
-26	117	0.483652
-25	117	0.724093
-24	117	0.92626
-23	117	1.14026
-22	117	1.38658
-21	117	1.60568
-20	117	1.77111
-19	117	1.9326
-18	117	2.07096
-17	117	2.21671
-16	117	2.31333
-15	117	2.35263
-14	117	2.42718
-13	117	2.45883
-12	117	2.49417
-11	117	2.51683
-10	117	2.54737
-9	117	2.5732
-8	117	2.60041
-7	117	2.61285
-6	117	2.63233
-5	117	2.63733
-4	117	2.62794
-3	117	2.66098
-2	117	2.67025
-1	117	2.68997
0	117	2.63759
1	117	2.5505
2	117	2.50125
3	117	2.49976
4	117	2.57946
5	117	2.63575
6	117	2.62925
7	117	2.5588
8	117	2.47577
9	117	2.39724
10	117	2.36385
11	117	2.36633
12	117	2.38728
13	117	2.39536
14	117	2.40345
15	117	2.38021
16	117	2.43091
17	117	2.36045
18	117	2.32267
19	117	2.27613
20	117	2.2257
21	117	2.19513
22	117	2.1676
23	117	2.12088
24	117	2.04748
25	117	1.95612
26	117	1.86155
27	117	1.74184
28	117	1.62365
29	117	1.46471
30	117	1.30514
31	117	1.13621
32	117	0.988254
33	117	0.863843
34	117	0.744488
35	117	0.705223
36	117	0.704163
37	117	0.737016
38	117	0.799177
39	117	0.894125
40	117	0.977404
41	117	1.02978
42	117	1.05654
43	117	1.04159
44	117	0.975793
45	117	0.823621
46	117	0.591223

47	117	0.24709
48	117	-0.179006
49	117	-0.691783
50	117	-1.24838
51	117	-1.81028
52	117	-2.31532
53	117	-2.65156
54	117	-2.76491
55	117	-2.6642
56	117	-2.38156
57	117	-2.01082
58	117	-1.66116
59	117	-1.35314
60	117	-1.14486
61	117	-1.07901
62	117	-1.18262
63	117	-1.49355
64	117	-2.00631
65	117	-2.75432
66	117	-3.71482
67	117	-4.70704
68	117	-5.68497
69	117	-6.44826
70	117	-6.6778
71	117	-6.32319
72	117	-5.44963
73	117	-4.49693
74	117	-3.677
75	117	-3.13512
76	117	-2.82202
77	117	-2.84045
78	117	-3.20298
79	117	-3.89772
80	117	-5.07579
81	117	-6.62546
82	117	-9.01916
83	117	-11.9018
84	117	-13.7441
85	117	-12.2123
86	117	-9.36895
87	117	-7.06623
88	117	-5.4079
89	117	-4.28002
90	117	-3.58941
91	117	-3.36753
92	117	-3.44445
93	117	-4.04274
94	117	-5.10617
95	117	-6.75459
96	117	-9.4036
97	117	-13.6613
98	117	-19.8945
99	117	-16.1982
100	117	-10.8634
101	117	-7.73902
102	117	-5.65518
103	117	-4.27018
104	117	-3.40445
105	117	-2.97642
106	117	-2.90429
107	117	-3.14662
108	117	-3.73865
109	117	-4.55625
110	117	-5.78974
111	117	-7.15841
112	117	-8.31372
113	117	-8.557
114	117	-7.7845
115	117	-6.29234
116	117	-4.77479
117	117	-3.58985
118	117	-2.63276
119	117	-2.00792
120	117	-1.66427
121	117	-1.48706
122	117	-1.55075
123	117	-1.7758
124	117	-2.2159
125	117	-2.71268
126	117	-3.29524
127	117	-3.80858
128	117	-4.04245
129	117	-4.02912
130	117	-3.64428
131	117	-3.09943
132	117	-2.36908
133	117	-1.61201
134	117	-0.958968
135	117	-0.414686
136	117	0.0697656
137	117	0.41877
138	117	0.662886
139	117	0.805715
140	117	0.859997
141	117	0.823208

142	117	0.746416
143	117	0.602855
144	117	0.453277
145	117	0.266687
146	117	0.11729
147	117	-0.0157746
148	117	-0.0881764
149	117	-0.0967605
150	117	-0.0140988
151	117	0.122621
152	117	0.242139
153	117	0.389735
154	117	0.565675
155	117	0.805683
156	117	1.01868
157	117	1.2153
158	117	1.43556
159	117	1.62317
160	117	1.80515
161	117	1.93437
162	117	2.06018
163	117	2.19414
164	117	2.29091
165	117	2.31526
166	117	2.42196
167	117	2.45777
168	117	2.50471
169	117	2.54988
170	117	2.5713
171	117	2.6168
172	117	2.63679
173	117	2.65242
174	117	2.67027
175	117	2.68293
176	117	2.69688
177	117	2.70383
178	117	2.71082
179	117	2.71301
180	117	2.66729
-180	118	2.4572
-179	118	2.458
-178	118	2.39916
-177	118	2.40192
-176	118	2.42398
-175	118	2.46385
-174	118	2.45115
-173	118	2.40723
-172	118	2.36834
-171	118	2.29138
-170	118	2.25826
-169	118	2.27644
-168	118	2.31416
-167	118	2.3268
-166	118	2.35489
-165	118	2.36314
-164	118	2.41655
-163	118	2.38196
-162	118	2.32027
-161	118	2.26636
-160	118	2.19823
-159	118	2.18261
-158	118	2.10917
-157	118	2.0345
-156	118	1.93858
-155	118	1.84219
-154	118	1.70928
-153	118	1.57006
-152	118	1.41539
-151	118	1.23652
-150	118	1.09365
-149	118	0.914686
-148	118	0.789785
-147	118	0.668956
-146	118	0.611908
-145	118	0.576292
-144	118	0.610281
-143	118	0.681553
-142	118	0.78096
-141	118	0.863128
-140	118	0.994457
-139	118	1.05278
-138	118	1.08103
-137	118	1.05121
-136	118	0.965698
-135	118	0.786507
-134	118	0.533669
-133	118	0.174802
-132	118	-0.26897
-131	118	-0.805744
-130	118	-1.38689
-129	118	-1.96565
-128	118	-2.44212
-127	118	-2.77306
-126	118	-2.88044
-125	118	-2.75953

-124	118	-2.46065
-123	118	-2.06204
-122	118	-1.70374
-121	118	-1.40037
-120	118	-1.19155
-119	118	-1.13538
-118	118	-1.25868
-117	118	-1.58483
-116	118	-2.12935
-115	118	-2.87766
-114	118	-3.87639
-113	118	-4.96934
-112	118	-6.09736
-111	118	-6.82672
-110	118	-6.83095
-109	118	-6.26824
-108	118	-5.41455
-107	118	-4.51948
-106	118	-3.77084
-105	118	-3.25886
-104	118	-2.98588
-103	118	-2.99374
-102	118	-3.27054
-101	118	-3.95998
-100	118	-5.1112
-99	118	-6.62755
-98	118	-8.92131
-97	118	-11.5864
-96	118	-13.5337
-95	118	-12.1737
-94	118	-9.24751
-93	118	-6.90295
-92	118	-5.21364
-91	118	-4.08979
-90	118	-3.41465
-89	118	-3.18097
-88	118	-3.28157
-87	118	-3.75199
-86	118	-4.69706
-85	118	-6.24249
-84	118	-8.72947
-83	118	-12.6546
-82	118	-18.8435
-81	118	-17.5179
-80	118	-11.6507
-79	118	-8.20692
-78	118	-5.95758
-77	118	-4.48392
-76	118	-3.52753
-75	118	-3.01419
-74	118	-2.80447
-73	118	-2.96188
-72	118	-3.4587
-71	118	-4.29426
-70	118	-5.46708
-69	118	-6.88279
-68	118	-8.23586
-67	118	-8.74759
-66	118	-8.01083
-65	118	-6.5485
-64	118	-5.05003
-63	118	-3.81709
-62	118	-2.82463
-61	118	-2.07622
-60	118	-1.67201
-59	118	-1.45465
-58	118	-1.43617
-57	118	-1.65425
-56	118	-2.04953
-55	118	-2.56096
-54	118	-3.13723
-53	118	-3.6601
-52	118	-4.14294
-51	118	-4.25127
-50	118	-4.03771
-49	118	-3.44579
-48	118	-2.68825
-47	118	-1.90775
-46	118	-1.1609
-45	118	-0.531765
-44	118	0.00460126
-43	118	0.431667
-42	118	0.750882
-41	118	0.95443
-40	118	1.07384
-39	118	1.09817
-38	118	1.05871
-37	118	0.975054
-36	118	0.834952
-35	118	0.663646
-34	118	0.473202
-33	118	0.299887
-32	118	0.152249
-31	118	0.0606652
-30	118	0.0407338

-29	118	0.104683
-28	118	0.191635
-27	118	0.230627
-26	118	0.359616
-25	118	0.55633
-24	118	0.736523
-23	118	0.913147
-22	118	1.16012
-21	118	1.34753
-20	118	1.48734
-19	118	1.65737
-18	118	1.81284
-17	118	1.95677
-16	118	2.03793
-15	118	2.08178
-14	118	2.17028
-13	118	2.2146
-12	118	2.25988
-11	118	2.28697
-10	118	2.30928
-9	118	2.35852
-8	118	2.38707
-7	118	2.39908
-6	118	2.42435
-5	118	2.4079
-4	118	2.43666
-3	118	2.46352
-2	118	2.46656
-1	118	2.50005
0	118	2.45439
1	118	2.43908
2	118	2.34475
3	118	2.32366
4	118	2.3806
5	118	2.4576
6	118	2.46121
7	118	2.42127
8	118	2.35779
9	118	2.27375
10	118	2.22633
11	118	2.23722
12	118	2.25491
13	118	2.27966
14	118	2.30351
15	118	2.31071
16	118	2.35655
17	118	2.34067
18	118	2.27487
19	118	2.22704
20	118	2.18641
21	118	2.14887
22	118	2.08922
23	118	2.03084
24	118	1.95474
25	118	1.87324
26	118	1.76256
27	118	1.63486
28	118	1.4906
29	118	1.31926
30	118	1.1901
31	118	1.01819
32	118	0.872275
33	118	0.733915
34	118	0.659229
35	118	0.606969
36	118	0.631411
37	118	0.679665
38	118	0.748825
39	118	0.843666
40	118	0.94238
41	118	0.98591
42	118	1.00484
43	118	0.991871
44	118	0.922305
45	118	0.751769
46	118	0.491952
47	118	0.117656
48	118	-0.326958
49	118	-0.840452
50	118	-1.38864
51	118	-1.92558
52	118	-2.39379
53	118	-2.72121
54	118	-2.84629
55	118	-2.75072
56	118	-2.47569
57	118	-2.09853
58	118	-1.71074
59	118	-1.41341
60	118	-1.22113
61	118	-1.17818
62	118	-1.29887
63	118	-1.61859
64	118	-2.13805
65	118	-2.8574

66	118	-3.831
67	118	-4.97796
68	118	-6.08261
69	118	-6.81537
70	118	-6.8296
71	118	-6.36067
72	118	-5.48757
73	118	-4.57489
74	118	-3.77982
75	118	-3.25181
76	118	-2.90489
77	118	-2.91989
78	118	-3.2297
79	118	-3.91023
80	118	-5.02454
81	118	-6.60825
82	118	-8.96456
83	118	-11.8577
84	118	-13.8318
85	118	-12.5779
86	118	-9.6875
87	118	-7.29782
88	118	-5.60535
89	118	-4.4013
90	118	-3.70099
91	118	-3.37945
92	118	-3.49638
93	118	-3.92649
94	118	-4.89208
95	118	-6.40792
96	118	-8.84698
97	118	-12.6995
98	118	-18.8706
99	118	-17.643
100	118	-11.8857
101	118	-8.36959
102	118	-6.09303
103	118	-4.61926
104	118	-3.65211
105	118	-3.13024
106	118	-2.95994
107	118	-3.08235
108	118	-3.59446
109	118	-4.42529
110	118	-5.46328
111	118	-6.86436
112	118	-8.23025
113	118	-8.88471
114	118	-8.32366
115	118	-7.01446
116	118	-5.45166
117	118	-4.22378
118	118	-3.15635
119	118	-2.32003
120	118	-1.8551
121	118	-1.6046
122	118	-1.58829
123	118	-1.76462
124	118	-2.08579
125	118	-2.52986
126	118	-3.04204
127	118	-3.53623
128	118	-3.98583
129	118	-4.12776
130	118	-3.95176
131	118	-3.45588
132	118	-2.79791
133	118	-2.06516
134	118	-1.36722
135	118	-0.751327
136	118	-0.223209
137	118	0.199934
138	118	0.505302
139	118	0.726694
140	118	0.845058
141	118	0.877876
142	118	0.870088
143	118	0.806499
144	118	0.708021
145	118	0.557741
146	118	0.385514
147	118	0.262612
148	118	0.165152
149	118	0.112671
150	118	0.139951
151	118	0.200142
152	118	0.269284
153	118	0.363141
154	118	0.504194
155	118	0.683324
156	118	0.866721
157	118	1.04309
158	118	1.23775
159	118	1.40336
160	118	1.56066

161	118	1.70552
162	118	1.84129
163	118	1.96691
164	118	2.04181
165	118	2.08675
166	118	2.17874
167	118	2.23066
168	118	2.28494
169	118	2.33007
170	118	2.34704
171	118	2.39943
172	118	2.43137
173	118	2.44548
174	118	2.45821
175	118	2.46097
176	118	2.47414
177	118	2.47524
178	118	2.48512
179	118	2.49365
180	118	2.4572
-180	119	2.24332
-179	119	2.2316
-178	119	2.21126
-177	119	2.1985
-176	119	2.22518
-175	119	2.26005
-174	119	2.26443
-173	119	2.25728
-172	119	2.23902
-171	119	2.19243
-170	119	2.17907
-169	119	2.19597
-168	119	2.22287
-167	119	2.26858
-166	119	2.30211
-165	119	2.3075
-164	119	2.37731
-163	119	2.38225
-162	119	2.31411
-161	119	2.26202
-160	119	2.2049
-159	119	2.14132
-158	119	2.07015
-157	119	1.98221
-156	119	1.84878
-155	119	1.73125
-154	119	1.59043
-153	119	1.44305
-152	119	1.28058
-151	119	1.11104
-150	119	0.935497
-149	119	0.764395
-148	119	0.643193
-147	119	0.538422
-146	119	0.487041
-145	119	0.492582
-144	119	0.543356
-143	119	0.622704
-142	119	0.709255
-141	119	0.845909
-140	119	0.942174
-139	119	1.00248
-138	119	1.00662
-137	119	0.975804
-136	119	0.871328
-135	119	0.685161
-134	119	0.399764
-133	119	0.0235049
-132	119	-0.439923
-131	119	-0.982712
-130	119	-1.55988
-129	119	-2.13578
-128	119	-2.61245
-127	119	-2.91114
-126	119	-2.97779
-125	119	-2.8196
-124	119	-2.51206
-123	119	-2.07796
-122	119	-1.73171
-121	119	-1.42732
-120	119	-1.24633
-119	119	-1.19432
-118	119	-1.32986
-117	119	-1.66465
-116	119	-2.21859
-115	119	-3.00123
-114	119	-3.95397
-113	119	-5.09025
-112	119	-6.27394
-111	119	-7.18125
-110	119	-7.34305
-109	119	-6.66415
-108	119	-5.61964
-107	119	-4.60721
-106	119	-3.80172

-105	119	-3.30044
-104	119	-2.98502
-103	119	-3.04777
-102	119	-3.3291
-101	119	-4.05261
-100	119	-5.14981
-99	119	-6.67012
-98	119	-8.76276
-97	119	-11.3503
-96	119	-13.7394
-95	119	-12.5377
-94	119	-9.5858
-93	119	-7.15985
-92	119	-5.4179
-91	119	-4.22748
-90	119	-3.50083
-89	119	-3.2048
-88	119	-3.23879
-87	119	-3.6648
-86	119	-4.52276
-85	119	-5.92294
-84	119	-8.24444
-83	119	-11.8647
-82	119	-17.613
-81	119	-19.3551
-80	119	-12.8758
-79	119	-8.87571
-78	119	-6.44682
-77	119	-4.83706
-76	119	-3.76984
-75	119	-3.13638
-74	119	-2.8914
-73	119	-2.95079
-72	119	-3.37364
-71	119	-4.18192
-70	119	-5.33557
-69	119	-6.73767
-68	119	-8.15968
-67	119	-8.93678
-66	119	-8.62407
-65	119	-7.30935
-64	119	-5.80985
-63	119	-4.37388
-62	119	-3.28719
-61	119	-2.34645
-60	119	-1.7959
-59	119	-1.54943
-58	119	-1.46874
-57	119	-1.54378
-56	119	-1.81522
-55	119	-2.2326
-54	119	-2.78264
-53	119	-3.35621
-52	119	-3.87978
-51	119	-4.16806
-50	119	-4.15631
-49	119	-3.74466
-48	119	-3.09719
-47	119	-2.35123
-46	119	-1.60023
-45	119	-0.917515
-44	119	-0.327389
-43	119	0.165073
-42	119	0.546029
-41	119	0.837948
-40	119	1.00648
-39	119	1.10601
-38	119	1.13628
-37	119	1.09748
-36	119	1.01466
-35	119	0.903666
-34	119	0.748554
-33	119	0.586857
-32	119	0.439464
-31	119	0.325584
-30	119	0.263742
-29	119	0.232119
-28	119	0.231062
-27	119	0.268129
-26	119	0.321849
-25	119	0.454126
-24	119	0.587253
-23	119	0.737769
-22	119	0.907725
-21	119	1.0725
-20	119	1.19854
-19	119	1.35442
-18	119	1.48139
-17	119	1.6217
-16	119	1.7059
-15	119	1.77562
-14	119	1.84572
-13	119	1.90966
-12	119	1.95779
-11	119	2.00572

-10	119	2.04711
-9	119	2.09233
-8	119	2.13613
-7	119	2.16204
-6	119	2.18204
-5	119	2.13489
-4	119	2.18825
-3	119	2.22363
-2	119	2.21417
-1	119	2.22862
0	119	2.22948
1	119	2.20298
2	119	2.15706
3	119	2.13368
4	119	2.16282
5	119	2.23318
6	119	2.25728
7	119	2.26029
8	119	2.23728
9	119	2.15899
10	119	2.13303
11	119	2.13014
12	119	2.13948
13	119	2.1863
14	119	2.22168
15	119	2.23222
16	119	2.29349
17	119	2.30689
18	119	2.21955
19	119	2.1844
20	119	2.11814
21	119	2.0712
22	119	2.02075
23	119	1.95042
24	119	1.83385
25	119	1.72162
26	119	1.59172
27	119	1.45697
28	119	1.30873
29	119	1.15327
30	119	0.989437
31	119	0.822966
32	119	0.685212
33	119	0.566093
34	119	0.484387
35	119	0.478636
36	119	0.50766
37	119	0.583408
38	119	0.668333
39	119	0.802589
40	119	0.899855
41	119	0.934609
42	119	0.922385
43	119	0.879506
44	119	0.774394
45	119	0.590717
46	119	0.334897
47	119	-0.0367157
48	119	-0.486493
49	119	-1.01356
50	119	-1.58618
51	119	-2.14165
52	119	-2.60399
53	119	-2.88213
54	119	-2.93668
55	119	-2.76515
56	119	-2.44712
57	119	-2.06744
58	119	-1.6924
59	119	-1.40774
60	119	-1.24245
61	119	-1.18986
62	119	-1.32841
63	119	-1.65733
64	119	-2.20985
65	119	-2.97431
66	119	-3.95968
67	119	-5.11254
68	119	-6.26723
69	119	-7.17668
70	119	-7.43302
71	119	-6.76822
72	119	-5.69494
73	119	-4.66235
74	119	-3.81926
75	119	-3.24384
76	119	-2.94109
77	119	-2.96048
78	119	-3.2684
79	119	-3.97543
80	119	-5.07187
81	119	-6.61601
82	119	-8.73593
83	119	-11.4252
84	119	-13.7137

85	119	-12.8535
86	119	-10.0385
87	119	-7.56937
88	119	-5.79013
89	119	-4.5634
90	119	-3.83412
91	119	-3.45672
92	119	-3.52135
93	119	-3.87807
94	119	-4.70743
95	119	-6.08735
96	119	-8.32346
97	119	-11.8518
98	119	-17.3026
99	119	-19.3439
100	119	-13.1419
101	119	-9.13554
102	119	-6.64139
103	119	-5.02917
104	119	-3.94675
105	119	-3.30093
106	119	-3.06858
107	119	-3.15791
108	119	-3.58476
109	119	-4.34418
110	119	-5.3539
111	119	-6.70336
112	119	-8.09112
113	119	-8.93773
114	119	-8.75428
115	119	-7.67662
116	119	-6.19795
117	119	-4.74493
118	119	-3.59613
119	119	-2.59733
120	119	-1.99471
121	119	-1.68568
122	119	-1.59244
123	119	-1.62716
124	119	-1.84986
125	119	-2.23626
126	119	-2.76158
127	119	-3.30944
128	119	-3.78111
129	119	-4.07001
130	119	-4.1122
131	119	-3.74789
132	119	-3.20732
133	119	-2.52629
134	119	-1.81837
135	119	-1.15781
136	119	-0.57516
137	119	-0.0853177
138	119	0.30652
139	119	0.609855
140	119	0.794517
141	119	0.904792
142	119	0.959472
143	119	0.938441
144	119	0.871971
145	119	0.764553
146	119	0.64552
147	119	0.555909
148	119	0.452638
149	119	0.373292
150	119	0.334051
151	119	0.330173
152	119	0.330246
153	119	0.365408
154	119	0.454119
155	119	0.57169
156	119	0.715216
157	119	0.862776
158	119	1.01771
159	119	1.15574
160	119	1.29241
161	119	1.41817
162	119	1.529
163	119	1.66492
164	119	1.74246
165	119	1.80143
166	119	1.8654
167	119	1.93328
168	119	1.97467
169	119	2.02523
170	119	2.06281
171	119	2.10333
172	119	2.12233
173	119	2.14629
174	119	2.16156
175	119	2.1837
176	119	2.18523
177	119	2.19863
178	119	2.21875
179	119	2.22867

180	119	2.24332
-180	120	2.03534
-179	120	2.01729
-178	120	2.03129
-177	120	2.00713
-176	120	2.04736
-175	120	2.07128
-174	120	2.11851
-173	120	2.12758
-172	120	2.13267
-171	120	2.11303
-170	120	2.09648
-169	120	2.11827
-168	120	2.14341
-167	120	2.18604
-166	120	2.23464
-165	120	2.26123
-164	120	2.31452
-163	120	2.36055
-162	120	2.29223
-161	120	2.2585
-160	120	2.17498
-159	120	2.10677
-158	120	2.02293
-157	120	1.92188
-156	120	1.80071
-155	120	1.65912
-154	120	1.50027
-153	120	1.32991
-152	120	1.15562
-151	120	0.978908
-150	120	0.798283
-149	120	0.635942
-148	120	0.507769
-147	120	0.417251
-146	120	0.370993
-145	120	0.395124
-144	120	0.437654
-143	120	0.549254
-142	120	0.65984
-141	120	0.776716
-140	120	0.822201
-139	120	0.900217
-138	120	0.930923
-137	120	0.871504
-136	120	0.759939
-135	120	0.535095
-134	120	0.2281
-133	120	-0.161617
-132	120	-0.647968
-131	120	-1.20367
-130	120	-1.79048
-129	120	-2.35671
-128	120	-2.80714
-127	120	-3.06052
-126	120	-3.0846
-125	120	-2.8825
-124	120	-2.51763
-123	120	-2.076
-122	120	-1.70501
-121	120	-1.40354
-120	120	-1.21879
-119	120	-1.20019
-118	120	-1.3474
-117	120	-1.72622
-116	120	-2.3105
-115	120	-3.09771
-114	120	-4.08577
-113	120	-5.27453
-112	120	-6.39958
-111	120	-7.23957
-110	120	-7.47527
-109	120	-6.89677
-108	120	-5.93671
-107	120	-4.85442
-106	120	-3.97133
-105	120	-3.31934
-104	120	-3.00098
-103	120	-2.94697
-102	120	-3.30742
-101	120	-4.02214
-100	120	-5.06555
-99	120	-6.61184
-98	120	-8.65474
-97	120	-11.2026
-96	120	-13.7994
-95	120	-12.9342
-94	120	-9.94516
-93	120	-7.43031
-92	120	-5.62214
-91	120	-4.4048
-90	120	-3.59439
-89	120	-3.24923
-88	120	-3.23569
-87	120	-3.60225

-86	120	-4.41073
-85	120	-5.71747
-84	120	-7.78066
-83	120	-11.1487
-82	120	-16.3148
-81	120	-20.1834
-80	120	-14.0006
-79	120	-9.6623
-78	120	-6.97156
-77	120	-5.21755
-76	120	-4.05343
-75	120	-3.36998
-74	120	-3.06712
-73	120	-3.08241
-72	120	-3.40525
-71	120	-4.11194
-70	120	-5.13424
-69	120	-6.37307
-68	120	-7.81567
-67	120	-8.8743
-66	120	-8.95387
-65	120	-7.87408
-64	120	-6.32667
-63	120	-4.83763
-62	120	-3.69487
-61	120	-2.73755
-60	120	-1.94574
-59	120	-1.63169
-58	120	-1.41824
-57	120	-1.42612
-56	120	-1.61308
-55	120	-1.97194
-54	120	-2.42484
-53	120	-2.99355
-52	120	-3.56685
-51	120	-4.03606
-50	120	-4.19135
-49	120	-4.01639
-48	120	-3.52379
-47	120	-2.84003
-46	120	-2.09411
-45	120	-1.38321
-44	120	-0.7395
-43	120	-0.183801
-42	120	0.245523
-41	120	0.626575
-40	120	0.885306
-39	120	1.05557
-38	120	1.16197
-37	120	1.16446
-36	120	1.1267
-35	120	1.0716
-34	120	0.971282
-33	120	0.813666
-32	120	0.689597
-31	120	0.555146
-30	120	0.445761
-29	120	0.380892
-28	120	0.345541
-27	120	0.344628
-26	120	0.381529
-25	120	0.415361
-24	120	0.484006
-23	120	0.59078
-22	120	0.699646
-21	120	0.81803
-20	120	0.941622
-19	120	1.0796
-18	120	1.18674
-17	120	1.33477
-16	120	1.40507
-15	120	1.48223
-14	120	1.57242
-13	120	1.61156
-12	120	1.66625
-11	120	1.71391
-10	120	1.7624
-9	120	1.80409
-8	120	1.82947
-7	120	1.86942
-6	120	1.88654
-5	120	1.85793
-4	120	1.91397
-3	120	1.97112
-2	120	1.98314
-1	120	2.00093
0	120	2.04077
1	120	2.00522
2	120	1.98979
3	120	1.96952
4	120	2.00422
5	120	2.04473
6	120	2.10837
7	120	2.11902
8	120	2.1119

9	120	2.08862
10	120	2.06334
11	120	2.06267
12	120	2.09632
13	120	2.1424
14	120	2.17349
15	120	2.18329
16	120	2.2165
17	120	2.24993
18	120	2.17999
19	120	2.16007
20	120	2.0657
21	120	1.98982
22	120	1.92613
23	120	1.8541
24	120	1.75105
25	120	1.60808
26	120	1.45724
27	120	1.30039
28	120	1.12494
29	120	0.958617
30	120	0.785193
31	120	0.630093
32	120	0.493096
33	120	0.396821
34	120	0.356295
35	120	0.355013
36	120	0.388383
37	120	0.478304
38	120	0.587618
39	120	0.707135
40	120	0.78392
41	120	0.826746
42	120	0.831408
43	120	0.7534
44	120	0.637791
45	120	0.412513
46	120	0.113116
47	120	-0.279771
48	120	-0.742345
49	120	-1.27352
50	120	-1.84097
51	120	-2.38551
52	120	-2.82202
53	120	-3.06238
54	120	-3.0718
55	120	-2.85675
56	120	-2.49589
57	120	-2.08604
58	120	-1.68818
59	120	-1.39134
60	120	-1.23156
61	120	-1.21906
62	120	-1.37675
63	120	-1.72042
64	120	-2.27828
65	120	-3.05365
66	120	-4.06224
67	120	-5.21746
68	120	-6.35819
69	120	-7.25425
70	120	-7.43754
71	120	-6.91854
72	120	-5.99221
73	120	-4.87154
74	120	-3.98383
75	120	-3.3206
76	120	-2.98613
77	120	-2.9783
78	120	-3.28602
79	120	-3.97567
80	120	-5.00092
81	120	-6.5556
82	120	-8.64154
83	120	-11.2638
84	120	-13.7213
85	120	-13.126
86	120	-10.3694
87	120	-7.87139
88	120	-6.03762
89	120	-4.75465
90	120	-3.93785
91	120	-3.50531
92	120	-3.53302
93	120	-3.80914
94	120	-4.58955
95	120	-5.79512
96	120	-7.76686
97	120	-11.0044
98	120	-15.9951
99	120	-20.4501
100	120	-14.5167
101	120	-10.0526
102	120	-7.26968
103	120	-5.46932

104	120	-4.2821
105	120	-3.58171
106	120	-3.27248
107	120	-3.2869
108	120	-3.61767
109	120	-4.25916
110	120	-5.16594
111	120	-6.30444
112	120	-7.64551
113	120	-8.76827
114	120	-9.01885
115	120	-8.15152
116	120	-6.71511
117	120	-5.17117
118	120	-3.98779
119	120	-3.0125
120	120	-2.18575
121	120	-1.81166
122	120	-1.58049
123	120	-1.55725
124	120	-1.70034
125	120	-2.02615
126	120	-2.45362
127	120	-2.977
128	120	-3.50652
129	120	-3.94695
130	120	-4.18144
131	120	-4.0185
132	120	-3.60297
133	120	-2.98291
134	120	-2.32753
135	120	-1.63662
136	120	-1.0018
137	120	-0.44178
138	120	0.0197004
139	120	0.385499
140	120	0.666033
141	120	0.850232
142	120	0.975955
143	120	1.02099
144	120	1.00584
145	120	0.934515
146	120	0.861556
147	120	0.775331
148	120	0.685977
149	120	0.579138
150	120	0.512519
151	120	0.467285
152	120	0.411022
153	120	0.399349
154	120	0.43592
155	120	0.504158
156	120	0.59395
157	120	0.697642
158	120	0.782391
159	120	0.900505
160	120	1.01831
161	120	1.14712
162	120	1.23406
163	120	1.35182
164	120	1.41499
165	120	1.47436
166	120	1.54317
167	120	1.61323
168	120	1.66453
169	120	1.71722
170	120	1.75591
171	120	1.80136
172	120	1.81021
173	120	1.85889
174	120	1.88424
175	120	1.88774
176	120	1.91021
177	120	1.9316
178	120	1.95282
179	120	1.9771
180	120	2.03534
-180	121	1.864
-179	121	1.88364
-178	121	1.88114
-177	121	1.887
-176	121	1.91704
-175	121	1.94188
-174	121	1.98989
-173	121	2.03436
-172	121	2.07242
-171	121	2.0745
-170	121	2.08681
-169	121	2.09122
-168	121	2.11079
-167	121	2.14349
-166	121	2.21461
-165	121	2.25193
-164	121	2.28797
-163	121	2.33348

-162	121	2.28676
-161	121	2.25016
-160	121	2.16788
-159	121	2.07924
-158	121	1.97018
-157	121	1.86138
-156	121	1.70506
-155	121	1.57576
-154	121	1.40631
-153	121	1.22865
-152	121	1.05944
-151	121	0.877603
-150	121	0.704536
-149	121	0.549708
-148	121	0.416699
-147	121	0.362144
-146	121	0.314488
-145	121	0.331502
-144	121	0.398014
-143	121	0.495365
-142	121	0.626083
-141	121	0.730565
-140	121	0.815243
-139	121	0.860165
-138	121	0.841552
-137	121	0.745464
-136	121	0.603143
-135	121	0.380029
-134	121	0.0542106
-133	121	-0.384642
-132	121	-0.887561
-131	121	-1.4823
-130	121	-2.07391
-129	121	-2.64937
-128	121	-3.09258
-127	121	-3.29828
-126	121	-3.26664
-125	121	-2.99426
-124	121	-2.59151
-123	121	-2.13754
-122	121	-1.73279
-121	121	-1.43854
-120	121	-1.26682
-119	121	-1.2471
-118	121	-1.42914
-117	121	-1.83962
-116	121	-2.42255
-115	121	-3.21314
-114	121	-4.27642
-113	121	-5.47593
-112	121	-6.65435
-111	121	-7.49206
-110	121	-7.60823
-109	121	-6.96386
-108	121	-5.96304
-107	121	-4.94717
-106	121	-4.20022
-105	121	-3.52314
-104	121	-3.1764
-103	121	-3.07585
-102	121	-3.39462
-101	121	-4.06148
-100	121	-5.05354
-99	121	-6.5687
-98	121	-8.513
-97	121	-11.0044
-96	121	-13.6467
-95	121	-13.0053
-94	121	-10.1747
-93	121	-7.6489
-92	121	-5.81551
-91	121	-4.51431
-90	121	-3.77905
-89	121	-3.3292
-88	121	-3.2611
-87	121	-3.5781
-86	121	-4.31964
-85	121	-5.53348
-84	121	-7.37788
-83	121	-10.4352
-82	121	-15.1706
-81	121	-20.6241
-80	121	-15.3954
-79	121	-10.552
-78	121	-7.65679
-77	121	-5.73149
-76	121	-4.47091
-75	121	-3.68868
-74	121	-3.25944
-73	121	-3.15737
-72	121	-3.37811
-71	121	-3.92094
-70	121	-4.86489
-69	121	-6.04444
-68	121	-7.43007

-67	121	-8.64542
-66	121	-8.95647
-65	121	-8.21067
-64	121	-6.81321
-63	121	-5.35532
-62	121	-4.06322
-61	121	-3.05925
-60	121	-2.14317
-59	121	-1.73486
-58	121	-1.46124
-57	121	-1.41066
-56	121	-1.54999
-55	121	-1.79407
-54	121	-2.17698
-53	121	-2.69232
-52	121	-3.25688
-51	121	-3.75977
-50	121	-4.09599
-49	121	-4.19148
-48	121	-3.92363
-47	121	-3.35807
-46	121	-2.64617
-45	121	-1.91254
-44	121	-1.22859
-43	121	-0.607945
-42	121	-0.0815936
-41	121	0.323999
-40	121	0.667994
-39	121	0.942343
-38	121	1.10329
-37	121	1.17329
-36	121	1.19594
-35	121	1.17379
-34	121	1.11767
-33	121	1.01063
-32	121	0.882507
-31	121	0.751884
-30	121	0.665856
-29	121	0.568052
-28	121	0.49062
-27	121	0.433108
-26	121	0.4402
-25	121	0.440494
-24	121	0.45068
-23	121	0.494117
-22	121	0.575115
-21	121	0.630043
-20	121	0.711606
-19	121	0.843202
-18	121	0.926863
-17	121	1.0498
-16	121	1.13223
-15	121	1.21194
-14	121	1.30553
-13	121	1.37258
-12	121	1.43509
-11	121	1.47875
-10	121	1.52156
-9	121	1.56824
-8	121	1.61075
-7	121	1.65274
-6	121	1.64175
-5	121	1.67955
-4	121	1.72263
-3	121	1.77424
-2	121	1.81052
-1	121	1.8602
0	121	1.87974
1	121	1.88815
2	121	1.86697
3	121	1.87142
4	121	1.89765
5	121	1.93615
6	121	1.99476
7	121	2.04268
8	121	2.08088
9	121	2.07011
10	121	2.06207
11	121	2.07879
12	121	2.06419
13	121	2.10902
14	121	2.15394
15	121	2.16479
16	121	2.1818
17	121	2.2287
18	121	2.16757
19	121	2.12614
20	121	2.05728
21	121	1.98045
22	121	1.87373
23	121	1.76855
24	121	1.64427
25	121	1.51327
26	121	1.33962
27	121	1.17144

28	121	0.983468
29	121	0.810555
30	121	0.627868
31	121	0.470583
32	121	0.350532
33	121	0.285817
34	121	0.219203
35	121	0.25023
36	121	0.30547
37	121	0.419723
38	121	0.538259
39	121	0.633956
40	121	0.722894
41	121	0.755532
42	121	0.729992
43	121	0.64551
44	121	0.482553
45	121	0.267252
46	121	-0.0508219
47	121	-0.488331
48	121	-0.995293
49	121	-1.58772
50	121	-2.17155
51	121	-2.71552
52	121	-3.13547
53	121	-3.33158
54	121	-3.27864
55	121	-3.00684
56	121	-2.60511
57	121	-2.16387
58	121	-1.75691
59	121	-1.44914
60	121	-1.2894
61	121	-1.29417
62	121	-1.46027
63	121	-1.83259
64	121	-2.40091
65	121	-3.21445
66	121	-4.23689
67	121	-5.4125
68	121	-6.57257
69	121	-7.39395
70	121	-7.50304
71	121	-6.94405
72	121	-5.94012
73	121	-4.92443
74	121	-4.14993
75	121	-3.49207
76	121	-3.1302
77	121	-3.04872
78	121	-3.32613
79	121	-3.96771
80	121	-4.94359
81	121	-6.45965
82	121	-8.46031
83	121	-11.0191
84	121	-13.4855
85	121	-13.243
86	121	-10.6386
87	121	-8.10819
88	121	-6.2714
89	121	-4.93534
90	121	-4.08486
91	121	-3.58646
92	121	-3.54994
93	121	-3.77421
94	121	-4.50812
95	121	-5.59025
96	121	-7.36189
97	121	-10.3522
98	121	-14.9429
99	121	-20.9852
100	121	-16.0671
101	121	-11.0186
102	121	-7.95064
103	121	-5.92847
104	121	-4.68728
105	121	-3.85508
106	121	-3.41421
107	121	-3.34508
108	121	-3.52842
109	121	-4.0354
110	121	-4.82447
111	121	-5.90263
112	121	-7.19077
113	121	-8.45858
114	121	-8.96896
115	121	-8.46179
116	121	-7.21656
117	121	-5.80969
118	121	-4.44834
119	121	-3.41424
120	121	-2.42885
121	121	-1.9725
122	121	-1.67266

123	121	-1.57548
124	121	-1.66404
125	121	-1.87067
126	121	-2.24206
127	121	-2.72654
128	121	-3.23853
129	121	-3.75285
130	121	-4.11525
131	121	-4.20909
132	121	-3.97268
133	121	-3.48299
134	121	-2.86657
135	121	-2.16598
136	121	-1.48639
137	121	-0.873297
138	121	-0.345518
139	121	0.0837257
140	121	0.44811
141	121	0.715656
142	121	0.899374
143	121	1.01214
144	121	1.06001
145	121	1.04805
146	121	1.0023
147	121	0.937795
148	121	0.857369
149	121	0.771098
150	121	0.689149
151	121	0.611462
152	121	0.522333
153	121	0.46872
154	121	0.457037
155	121	0.482882
156	121	0.532794
157	121	0.590541
158	121	0.643249
159	121	0.695258
160	121	0.78096
161	121	0.904412
162	121	0.987119
163	121	1.08031
164	121	1.14935
165	121	1.20867
166	121	1.30763
167	121	1.34321
168	121	1.43035
169	121	1.47539
170	121	1.5191
171	121	1.55431
172	121	1.59317
173	121	1.64156
174	121	1.63973
175	121	1.6957
176	121	1.71716
177	121	1.74002
178	121	1.7859
179	121	1.83549
180	121	1.864
-180	122	1.77792
-179	122	1.82128
-178	122	1.83721
-177	122	1.86954
-176	122	1.90169
-175	122	1.94094
-174	122	1.98563
-173	122	2.0503
-172	122	2.09504
-171	122	2.13475
-170	122	2.15657
-169	122	2.1544
-168	122	2.16457
-167	122	2.17878
-166	122	2.22847
-165	122	2.26126
-164	122	2.27221
-163	122	2.3268
-162	122	2.26595
-161	122	2.21527
-160	122	2.15221
-159	122	2.05416
-158	122	1.93886
-157	122	1.82642
-156	122	1.66805
-155	122	1.49504
-154	122	1.32139
-153	122	1.1439
-152	122	0.955466
-151	122	0.780188
-150	122	0.606667
-149	122	0.466638
-148	122	0.36951
-147	122	0.326603
-146	122	0.320404
-145	122	0.370946
-144	122	0.467127

-143	122	0.543676
-142	122	0.669495
-141	122	0.736478
-140	122	0.835355
-139	122	0.853714
-138	122	0.807104
-137	122	0.710185
-136	122	0.531946
-135	122	0.264887
-134	122	-0.106585
-133	122	-0.574649
-132	122	-1.13195
-131	122	-1.73254
-130	122	-2.33696
-129	122	-2.93482
-128	122	-3.3288
-127	122	-3.49733
-126	122	-3.40436
-125	122	-3.07418
-124	122	-2.6263
-123	122	-2.15456
-122	122	-1.74469
-121	122	-1.45161
-120	122	-1.2869
-119	122	-1.29643
-118	122	-1.51082
-117	122	-1.93131
-116	122	-2.51583
-115	122	-3.38633
-114	122	-4.42177
-113	122	-5.70568
-112	122	-6.90091
-111	122	-7.71831
-110	122	-7.77073
-109	122	-7.09606
-108	122	-6.01857
-107	122	-4.98047
-106	122	-4.19531
-105	122	-3.61302
-104	122	-3.31044
-103	122	-3.26317
-102	122	-3.57554
-101	122	-4.16214
-100	122	-5.16391
-99	122	-6.57919
-98	122	-8.50713
-97	122	-11.1863
-96	122	-13.6081
-95	122	-12.995
-94	122	-10.1237
-93	122	-7.61125
-92	122	-5.78954
-91	122	-4.47679
-90	122	-3.77058
-89	122	-3.28681
-88	122	-3.19437
-87	122	-3.49362
-86	122	-4.13862
-85	122	-5.25525
-84	122	-6.96431
-83	122	-9.47953
-82	122	-14.0307
-81	122	-20.2013
-80	122	-17.2081
-79	122	-11.6028
-78	122	-8.29024
-77	122	-6.20927
-76	122	-4.77665
-75	122	-3.84066
-74	122	-3.2991
-73	122	-3.12737
-72	122	-3.26804
-71	122	-3.71941
-70	122	-4.51405
-69	122	-5.55473
-68	122	-6.82729
-67	122	-8.1065
-66	122	-8.89834
-65	122	-8.54593
-64	122	-7.33319
-63	122	-5.8515
-62	122	-4.49174
-61	122	-3.43386
-60	122	-2.55925
-59	122	-1.95039
-58	122	-1.62523
-57	122	-1.41959
-56	122	-1.4732
-55	122	-1.65631
-54	122	-1.99504
-53	122	-2.46066
-52	122	-3.00797
-51	122	-3.52704
-50	122	-3.97492
-49	122	-4.22631

-48	122	-4.18011
-47	122	-3.78949
-46	122	-3.13242
-45	122	-2.43962
-44	122	-1.77209
-43	122	-1.10024
-42	122	-0.529145
-41	122	-0.0328205
-40	122	0.374118
-39	122	0.723606
-38	122	0.975796
-37	122	1.12258
-36	122	1.19621
-35	122	1.23357
-34	122	1.21327
-33	122	1.11879
-32	122	1.06235
-31	122	0.978333
-30	122	0.871554
-29	122	0.762708
-28	122	0.653203
-27	122	0.566989
-26	122	0.532504
-25	122	0.511079
-24	122	0.506963
-23	122	0.487895
-22	122	0.531022
-21	122	0.5572
-20	122	0.614945
-19	122	0.701286
-18	122	0.782835
-17	122	0.870537
-16	122	0.951335
-15	122	1.0355
-14	122	1.11268
-13	122	1.18739
-12	122	1.2587
-11	122	1.31834
-10	122	1.3551
-9	122	1.3951
-8	122	1.46439
-7	122	1.49805
-6	122	1.54442
-5	122	1.5486
-4	122	1.61655
-3	122	1.66093
-2	122	1.7147
-1	122	1.78957
0	122	1.7859
1	122	1.82225
2	122	1.81377
3	122	1.83877
4	122	1.86254
5	122	1.90813
6	122	1.94094
7	122	2.00239
8	122	2.0547
9	122	2.09007
10	122	2.11432
11	122	2.12176
12	122	2.10434
13	122	2.1294
14	122	2.1826
15	122	2.20943
16	122	2.20334
17	122	2.23478
18	122	2.17334
19	122	2.1269
20	122	2.05809
21	122	1.96338
22	122	1.84916
23	122	1.73392
24	122	1.58342
25	122	1.40905
26	122	1.24499
27	122	1.05911
28	122	0.864941
29	122	0.678187
30	122	0.520165
31	122	0.383813
32	122	0.284812
33	122	0.226545
34	122	0.214738
35	122	0.219595
36	122	0.30331
37	122	0.407037
38	122	0.514824
39	122	0.613602
40	122	0.705579
41	122	0.735512
42	122	0.681689
43	122	0.577104
44	122	0.405985
45	122	0.139004
46	122	-0.224281

47	122	-0.700566
48	122	-1.2528
49	122	-1.83488
50	122	-2.4528
51	122	-3.02315
52	122	-3.41068
53	122	-3.59102
54	122	-3.51585
55	122	-3.19585
56	122	-2.74431
57	122	-2.27118
58	122	-1.85086
59	122	-1.5496
60	122	-1.38886
61	122	-1.40786
62	122	-1.59919
63	122	-1.99014
64	122	-2.58361
65	122	-3.41477
66	122	-4.46729
67	122	-5.6773
68	122	-6.87188
69	122	-7.67746
70	122	-7.71808
71	122	-7.06889
72	122	-5.97249
73	122	-4.90857
74	122	-4.08397
75	122	-3.4972
76	122	-3.20912
77	122	-3.18581
78	122	-3.47897
79	122	-4.04688
80	122	-5.03757
81	122	-6.43791
82	122	-8.34475
83	122	-10.9408
84	122	-13.3945
85	122	-13.2699
86	122	-10.7767
87	122	-8.29144
88	122	-6.38345
89	122	-5.01592
90	122	-4.12932
91	122	-3.66277
92	122	-3.49537
93	122	-3.70482
94	122	-4.3274
95	122	-5.2632
96	122	-6.88426
97	122	-9.30421
98	122	-13.7184
99	122	-19.9069
100	122	-18.1053
101	122	-12.2001
102	122	-8.64869
103	122	-6.4107
104	122	-4.90529
105	122	-4.02276
106	122	-3.4473
107	122	-3.30193
108	122	-3.40287
109	122	-3.81078
110	122	-4.48386
111	122	-5.48491
112	122	-6.71742
113	122	-7.97187
114	122	-8.91702
115	122	-8.80542
116	122	-7.74343
117	122	-6.35311
118	122	-4.99569
119	122	-3.82944
120	122	-2.88615
121	122	-2.23984
122	122	-1.89221
123	122	-1.67515
124	122	-1.68695
125	122	-1.79544
126	122	-2.10547
127	122	-2.5118
128	122	-3.02161
129	122	-3.53379
130	122	-3.9689
131	122	-4.22923
132	122	-4.18382
133	122	-3.85787
134	122	-3.33537
135	122	-2.64291
136	122	-1.9638
137	122	-1.31473
138	122	-0.752562
139	122	-0.27842
140	122	0.135919
141	122	0.501349

142	222	0.755736
143	222	0.928904
144	222	1.03515
145	222	1.08027
146	222	1.08758
147	222	1.07174
148	222	1.02125
149	222	0.939539
150	222	0.869953
151	222	0.793836
152	222	0.699629
153	222	0.621322
154	222	0.572421
155	222	0.552917
156	222	0.580109
157	222	0.601113
158	222	0.620076
159	222	0.653283
160	222	0.709823
161	222	0.773921
162	222	0.857437
163	222	0.942518
164	222	1.00234
165	222	1.0763
166	222	1.13422
167	222	1.20681
168	222	1.26689
169	222	1.3487
170	222	1.38018
171	222	1.41
172	222	1.48279
173	222	1.51634
174	222	1.53953
175	222	1.56984
176	222	1.59478
177	222	1.63183
178	222	1.68811
179	222	1.76876
180	222	1.77792
-180	123	1.81013
-179	123	1.84248
-178	123	1.86546
-177	123	1.88191
-176	123	1.93576
-175	123	1.97092
-174	123	2.0094
-173	123	2.05107
-172	123	2.13762
-171	123	2.18454
-170	123	2.22955
-169	123	2.24649
-168	123	2.22972
-167	123	2.22334
-166	123	2.25997
-165	123	2.28484
-164	123	2.27749
-163	123	2.31072
-162	123	2.26458
-161	123	2.21478
-160	123	2.10476
-159	123	2.01915
-158	123	1.8796
-157	123	1.73573
-156	123	1.5671
-155	123	1.41298
-154	123	1.22505
-153	123	1.02248
-152	123	0.843401
-151	123	0.68354
-150	123	0.53188
-149	123	0.411755
-148	123	0.338216
-147	123	0.317275
-146	123	0.324204
-145	123	0.40878
-144	123	0.519005
-143	123	0.626874
-142	123	0.743965
-141	123	0.846273
-140	123	0.904407
-139	123	0.875293
-138	123	0.824405
-137	123	0.677553
-136	123	0.454489
-135	123	0.131919
-134	123	-0.277253
-133	123	-0.784024
-132	123	-1.36454
-131	123	-1.98783
-130	123	-2.62843
-129	123	-3.17473
-128	123	-3.56023
-127	123	-3.66715
-126	123	-3.51457
-125	123	-3.15403

-124	123	-2.70032
-123	123	-2.19477
-122	123	-1.80316
-121	123	-1.51185
-120	123	-1.36924
-119	123	-1.3836
-118	123	-1.62798
-117	123	-2.01609
-116	123	-2.6814
-115	123	-3.55868
-114	123	-4.6588
-113	123	-5.92823
-112	123	-7.14035
-111	123	-7.9418
-110	123	-7.96868
-109	123	-7.27411
-108	123	-6.14581
-107	123	-5.19356
-106	123	-4.29027
-105	123	-3.6874
-104	123	-3.29781
-103	123	-3.32047
-102	123	-3.6939
-101	123	-4.3574
-100	123	-5.42231
-99	123	-6.8906
-98	123	-8.86347
-97	123	-11.6595
-96	123	-14.2218
-95	123	-13.442
-94	123	-10.3486
-93	123	-7.78663
-92	123	-5.91496
-91	123	-4.59041
-90	123	-3.83701
-89	123	-3.32273
-88	123	-3.20697
-87	123	-3.41677
-86	123	-4.01015
-85	123	-5.07453
-84	123	-6.65633
-83	123	-9.02777
-82	123	-13.1015
-81	123	-19.5312
-80	123	-18.206
-79	123	-12.3075
-78	123	-8.72115
-77	123	-6.49313
-76	123	-4.97867
-75	123	-3.95281
-74	123	-3.32457
-73	123	-3.06644
-72	123	-3.11392
-71	123	-3.45185
-70	123	-4.16301
-69	123	-5.09698
-68	123	-6.27589
-67	123	-7.58804
-66	123	-8.4869
-65	123	-8.60376
-64	123	-7.70935
-63	123	-6.42379
-62	123	-5.09559
-61	123	-3.92309
-60	123	-3.06942
-59	123	-2.2859
-58	123	-1.86632
-57	123	-1.57082
-56	123	-1.51304
-55	123	-1.57882
-54	123	-1.83659
-53	123	-2.25942
-52	123	-2.72327
-51	123	-3.23706
-50	123	-3.7414
-49	123	-4.12517
-48	123	-4.27414
-47	123	-4.06105
-46	123	-3.56592
-45	123	-2.94731
-44	123	-2.27094
-43	123	-1.58587
-42	123	-0.935675
-41	123	-0.395171
-40	123	0.0590307
-39	123	0.450685
-38	123	0.753341
-37	123	0.978141
-36	123	1.0996
-35	123	1.18811
-34	123	1.23699
-33	123	1.22542
-32	123	1.20507
-31	123	1.13431
-30	123	1.02753

-29	123	0.907945
-28	123	0.811217
-27	123	0.739268
-26	123	0.67805
-25	123	0.645949
-24	123	0.64706
-23	123	0.619347
-22	123	0.589888
-21	123	0.583599
-20	123	0.610265
-19	123	0.67163
-18	123	0.738905
-17	123	0.808759
-16	123	0.862797
-15	123	0.952492
-14	123	1.02299
-13	123	1.09502
-12	123	1.17828
-11	123	1.22937
-10	123	1.27367
-9	123	1.32481
-8	123	1.38765
-7	123	1.42135
-6	123	1.49331
-5	123	1.49729
-4	123	1.59631
-3	123	1.65892
-2	123	1.70402
-1	123	1.77003
0	123	1.80273
1	123	1.81482
2	123	1.83636
3	123	1.85869
4	123	1.90926
5	123	1.95711
6	123	1.98153
7	123	2.03233
8	123	2.09625
9	123	2.1588
10	123	2.18982
11	123	2.2085
12	123	2.16774
13	123	2.1506
14	123	2.18572
15	123	2.20881
16	123	2.2048
17	123	2.21664
18	123	2.1842
19	123	2.12728
20	123	2.04316
21	123	1.9353
22	123	1.8048
23	123	1.66371
24	123	1.49052
25	123	1.31501
26	123	1.12887
27	123	0.930001
28	123	0.744351
29	123	0.5505
30	123	0.415319
31	123	0.301531
32	123	0.226782
33	123	0.18409
34	123	0.159863
35	123	0.225837
36	123	0.329927
37	123	0.450592
38	123	0.561415
39	123	0.654063
40	123	0.726044
41	123	0.751593
42	123	0.679407
43	123	0.53948
44	123	0.336841
45	123	0.0350033
46	123	-0.340316
47	123	-0.818189
48	123	-1.38776
49	123	-2.01743
50	123	-2.64824
51	123	-3.20625
52	123	-3.59803
53	123	-3.73099
54	123	-3.59855
55	123	-3.27014
56	123	-2.82333
57	123	-2.35106
58	123	-1.95104
59	123	-1.66659
60	123	-1.50697
61	123	-1.52962
62	123	-1.75455
63	123	-2.16468
64	123	-2.79285
65	123	-3.65859

66	123	-4.73756
67	123	-5.97331
68	123	-7.19333
69	123	-7.98752
70	123	-8.03348
71	123	-7.25209
72	123	-6.08839
73	123	-5.07695
74	123	-4.18161
75	123	-3.57749
76	123	-3.26845
77	123	-3.26827
78	123	-3.56946
79	123	-4.1685
80	123	-5.16422
81	123	-6.55879
82	123	-8.48369
83	123	-11.1184
84	123	-13.7396
85	123	-13.7316
86	123	-11.1271
87	123	-8.55502
88	123	-6.58771
89	123	-5.17315
90	123	-4.25753
91	123	-3.70186
92	123	-3.47866
93	123	-3.67342
94	123	-4.25876
95	123	-5.13886
96	123	-6.65244
97	123	-8.8818
98	123	-12.7594
99	123	-19.001
100	123	-19.2476
101	123	-12.9858
102	123	-9.16473
103	123	-6.78747
104	123	-5.23486
105	123	-4.18468
106	123	-3.55594
107	123	-3.29844
108	123	-3.28439
109	123	-3.61067
110	123	-4.25292
111	123	-5.14305
112	123	-6.25367
113	123	-7.51678
114	123	-8.57144
115	123	-8.91012
116	123	-8.1876
117	123	-6.94474
118	123	-5.63984
119	123	-4.39978
120	123	-3.41603
121	123	-2.59493
122	123	-2.15558
123	123	-1.82901
124	123	-1.72236
125	123	-1.75531
126	123	-1.95471
127	123	-2.30518
128	123	-2.73617
129	123	-3.23011
130	123	-3.68958
131	123	-4.06858
132	123	-4.20558
133	123	-4.08793
134	123	-3.70177
135	123	-3.10032
136	123	-2.46039
137	123	-1.81341
138	123	-1.21158
139	123	-0.661577
140	123	-0.170417
141	123	0.254275
142	123	0.568876
143	123	0.804986
144	123	0.950267
145	123	1.05027
146	123	1.12766
147	123	1.15403
148	123	1.13982
149	123	1.08935
150	123	1.04674
151	123	0.979466
152	123	0.900969
153	123	0.832414
154	123	0.777249
155	123	0.764029
156	123	0.757966
157	123	0.756209
158	123	0.737732
159	123	0.741126
160	123	0.76302

161	123	0.812364
162	123	0.867322
163	123	0.943302
164	123	1.00654
165	123	1.05631
166	123	1.12121
167	123	1.18168
168	123	1.24672
169	123	1.30594
170	123	1.35206
171	123	1.38524
172	123	1.42868
173	123	1.48295
174	123	1.51092
175	123	1.54443
176	123	1.58902
177	123	1.65353
178	123	1.69222
179	123	1.76105
180	123	1.81013
-180	124	1.8589
-179	124	1.88919
-178	124	1.91036
-177	124	1.93187
-176	124	2.00104
-175	124	2.06163
-174	124	2.11203
-173	124	2.15497
-172	124	2.21301
-171	124	2.26491
-170	124	2.30641
-169	124	2.32546
-168	124	2.29285
-167	124	2.24723
-166	124	2.25978
-165	124	2.2778
-164	124	2.27517
-163	124	2.27705
-162	124	2.20767
-161	124	2.13863
-160	124	2.04208
-159	124	1.92475
-158	124	1.7458
-157	124	1.59496
-156	124	1.42571
-155	124	1.23609
-154	124	1.04372
-153	124	0.857674
-152	124	0.684265
-151	124	0.53286
-150	124	0.407954
-149	124	0.319402
-148	124	0.292133
-147	124	0.320438
-146	124	0.392834
-145	124	0.487108
-144	124	0.618581
-143	124	0.734401
-142	124	0.843369
-141	124	0.927836
-140	124	0.953399
-139	124	0.911015
-138	124	0.82102
-137	124	0.660179
-136	124	0.402543
-135	124	0.0477806
-134	124	-0.387627
-133	124	-0.911711
-132	124	-1.53042
-131	124	-2.17683
-130	124	-2.80627
-129	124	-3.37064
-128	124	-3.70702
-127	124	-3.77145
-126	124	-3.58442
-125	124	-3.21543
-124	124	-2.7418
-123	124	-2.25545
-122	124	-1.86608
-121	124	-1.56941
-120	124	-1.4315
-119	124	-1.47415
-118	124	-1.71376
-117	124	-2.15464
-116	124	-2.8412
-115	124	-3.75855
-114	124	-4.87254
-113	124	-6.14479
-112	124	-7.37462
-111	124	-8.06917
-110	124	-8.16079
-109	124	-7.38853
-108	124	-6.25914
-107	124	-5.27561
-106	124	-4.39667

-105	124	-3.81946
-104	124	-3.4395
-103	124	-3.48653
-102	124	-3.81884
-101	124	-4.46048
-100	124	-5.44415
-99	124	-7.00547
-98	124	-9.07103
-97	124	-12.127
-96	124	-15.3065
-95	124	-14.6436
-94	124	-11.0072
-93	124	-8.19322
-92	124	-6.1538
-91	124	-4.77924
-90	124	-4.00441
-89	124	-3.44452
-88	124	-3.25504
-87	124	-3.44606
-86	124	-3.96741
-85	124	-4.93603
-84	124	-6.40379
-83	124	-8.56583
-82	124	-12.3462
-81	124	-18.5293
-80	124	-20.0667
-79	124	-13.4081
-78	124	-9.4168
-77	124	-6.8525
-76	124	-5.18137
-75	124	-4.10656
-74	124	-3.42566
-73	124	-3.02335
-72	124	-2.97745
-71	124	-3.22363
-70	124	-3.76068
-69	124	-4.59327
-68	124	-5.67433
-67	124	-6.93823
-66	124	-8.08086
-65	124	-8.6015
-64	124	-8.26509
-63	124	-7.13389
-62	124	-5.82276
-61	124	-4.53859
-60	124	-3.57183
-59	124	-2.7615
-58	124	-2.19798
-57	124	-1.77685
-56	124	-1.59507
-55	124	-1.58971
-54	124	-1.74112
-53	124	-2.04012
-52	124	-2.41649
-51	124	-2.89851
-50	124	-3.39465
-49	124	-3.86352
-48	124	-4.18413
-47	124	-4.15559
-46	124	-3.85972
-45	124	-3.39738
-44	124	-2.77181
-43	124	-2.08894
-42	124	-1.44945
-41	124	-0.885708
-40	124	-0.369865
-39	124	0.0908469
-38	124	0.467967
-37	124	0.70982
-36	124	0.889004
-35	124	1.05824
-34	124	1.18185
-33	124	1.22977
-32	124	1.22926
-31	124	1.18802
-30	124	1.10796
-29	124	1.02132
-28	124	0.951879
-27	124	0.883329
-26	124	0.82063
-25	124	0.794488
-24	124	0.776298
-23	124	0.761494
-22	124	0.689644
-21	124	0.667216
-20	124	0.703119
-19	124	0.761821
-18	124	0.803258
-17	124	0.868364
-16	124	0.897746
-15	124	0.964636
-14	124	1.04272
-13	124	1.10872
-12	124	1.17875
-11	124	1.24557

-10	124	1.27564
-9	124	1.34935
-8	124	1.4014
-7	124	1.49098
-6	124	1.49486
-5	124	1.52614
-4	124	1.60327
-3	124	1.68769
-2	124	1.73161
-1	124	1.76994
0	124	1.83614
1	124	1.85998
2	124	1.87151
3	124	1.88651
4	124	1.94385
5	124	2.02496
6	124	2.07819
7	124	2.10108
8	124	2.15029
9	124	2.21895
10	124	2.2612
11	124	2.28351
12	124	2.24686
13	124	2.19602
14	124	2.21035
15	124	2.22414
16	124	2.21536
17	124	2.17583
18	124	2.13785
19	124	2.0786
20	124	1.9775
21	124	1.86011
22	124	1.7101
23	124	1.54936
24	124	1.35369
25	124	1.14736
26	124	0.954732
27	124	0.764444
28	124	0.58807
29	124	0.397023
30	124	0.25316
31	124	0.164173
32	124	0.131956
33	124	0.126005
34	124	0.170313
35	124	0.272266
36	124	0.400563
37	124	0.522701
38	124	0.639965
39	124	0.731064
40	124	0.779171
41	124	0.776221
42	124	0.699286
43	124	0.516722
44	124	0.27267
45	124	-0.0585293
46	124	-0.471691
47	124	-0.981813
48	124	-1.5724
49	124	-2.20607
50	124	-2.80602
51	124	-3.33507
52	124	-3.68263
53	124	-3.78271
54	124	-3.63212
55	124	-3.28238
56	124	-2.82313
57	124	-2.36167
58	124	-1.96885
59	124	-1.68737
60	124	-1.56277
61	124	-1.59817
62	124	-1.83068
63	124	-2.29061
64	124	-2.97468
65	124	-3.88458
66	124	-4.97572
67	124	-6.26768
68	124	-7.51812
69	124	-8.41052
70	124	-8.35997
71	124	-7.52789
72	124	-6.32905
73	124	-5.27961
74	124	-4.35953
75	124	-3.74991
76	124	-3.4242
77	124	-3.42099
78	124	-3.72835
79	124	-4.3102
80	124	-5.25247
81	124	-6.69586
82	124	-8.65986
83	124	-11.3856
84	124	-14.3371

85	124	-14.5729
86	124	-11.7203
87	124	-8.95058
88	124	-6.8564
89	124	-5.37823
90	124	-4.41154
91	124	-3.84528
92	124	-3.61335
93	124	-3.80787
94	124	-4.26183
95	124	-4.99843
96	124	-6.39584
97	124	-8.46287
98	124	-12.0627
99	124	-17.9342
100	124	-21.084
101	124	-14.0827
102	124	-9.84625
103	124	-7.18996
104	124	-5.50289
105	124	-4.38736
106	124	-3.66565
107	124	-3.30046
108	124	-3.24477
109	124	-3.48274
110	124	-4.01089
111	124	-4.77623
112	124	-5.8094
113	124	-7.05
114	124	-8.25921
115	124	-8.94382
116	124	-8.69468
117	124	-7.6174
118	124	-6.29724
119	124	-4.98324
120	124	-3.9207
121	124	-3.06201
122	124	-2.48757
123	124	-2.01617
124	124	-1.78608
125	124	-1.73182
126	124	-1.82146
127	124	-2.08184
128	124	-2.44484
129	124	-2.87785
130	124	-3.35234
131	124	-3.79505
132	124	-4.09095
133	124	-4.13445
134	124	-3.94486
135	124	-3.48114
136	124	-2.93658
137	124	-2.31736
138	124	-1.71625
139	124	-1.12425
140	124	-0.584908
141	124	-0.112479
142	124	0.283461
143	124	0.56905
144	124	0.797207
145	124	0.976191
146	124	1.10012
147	124	1.16216
148	124	1.20327
149	124	1.23183
150	124	1.20845
151	124	1.151
152	124	1.07864
153	124	1.02403
154	124	0.985625
155	124	0.964365
156	124	0.946575
157	124	0.925337
158	124	0.886363
159	124	0.871749
160	124	0.891065
161	124	0.932534
162	124	0.949665
163	124	1.01397
164	124	1.03924
165	124	1.09486
166	124	1.14387
167	124	1.1894
168	124	1.27209
169	124	1.33634
170	124	1.36492
171	124	1.42284
172	124	1.46834
173	124	1.51024
174	124	1.54544
175	124	1.57592
176	124	1.62073
177	124	1.69427
178	124	1.73358
179	124	1.7887

180	124	1.8589
-180	125	1.909
-179	125	1.94707
-178	125	1.94879
-177	125	1.99254
-176	125	2.07723
-175	125	2.14606
-174	125	2.1855
-173	125	2.21896
-172	125	2.24944
-171	125	2.30115
-170	125	2.3478
-169	125	2.36356
-168	125	2.33423
-167	125	2.24811
-166	125	2.22929
-165	125	2.21275
-164	125	2.19398
-163	125	2.13913
-162	125	2.08262
-161	125	1.99977
-160	125	1.88651
-159	125	1.75467
-158	125	1.59075
-157	125	1.39859
-156	125	1.22903
-155	125	1.03342
-154	125	0.836072
-153	125	0.649712
-152	125	0.481121
-151	125	0.358477
-150	125	0.282365
-149	125	0.265576
-148	125	0.280934
-147	125	0.333493
-146	125	0.455362
-145	125	0.571673
-144	125	0.696855
-143	125	0.827091
-142	125	0.931127
-141	125	1.00111
-140	125	1.00227
-139	125	0.938611
-138	125	0.825809
-137	125	0.628399
-136	125	0.36261
-135	125	0.000196009
-134	125	-0.521224
-133	125	-1.05657
-132	125	-1.69372
-131	125	-2.35091
-130	125	-2.95937
-129	125	-3.43803
-128	125	-3.74196
-127	125	-3.77121
-126	125	-3.52388
-125	125	-3.14424
-124	125	-2.65751
-123	125	-2.20036
-122	125	-1.82227
-121	125	-1.57791
-120	125	-1.47975
-119	125	-1.5575
-118	125	-1.80369
-117	125	-2.23214
-116	125	-2.98721
-115	125	-3.91201
-114	125	-5.03682
-113	125	-6.33262
-112	125	-7.59976
-111	125	-8.38
-110	125	-8.24029
-109	125	-7.36015
-108	125	-6.3128
-107	125	-5.28727
-106	125	-4.45565
-105	125	-3.87713
-104	125	-3.52891
-103	125	-3.54447
-102	125	-3.86695
-101	125	-4.53441
-100	125	-5.55341
-99	125	-7.01829
-98	125	-9.2273
-97	125	-12.4166
-96	125	-16.0167
-95	125	-15.4631
-94	125	-11.5169
-93	125	-8.54756
-92	125	-6.49142
-91	125	-5.05681
-90	125	-4.24208
-89	125	-3.64202
-88	125	-3.39054
-87	125	-3.51895

-86	125	-3.98977
-85	125	-4.86807
-84	125	-6.24278
-83	125	-8.28284
-82	125	-11.5245
-81	125	-17.4031
-80	125	-21.0246
-79	125	-14.3114
-78	125	-9.93052
-77	125	-7.22298
-76	125	-5.44521
-75	125	-4.26892
-74	125	-3.43742
-73	125	-3.04732
-72	125	-2.92487
-71	125	-3.07019
-70	125	-3.47095
-69	125	-4.1894
-68	125	-5.20423
-67	125	-6.43925
-66	125	-7.72629
-65	125	-8.66306
-64	125	-8.77206
-63	125	-7.955
-62	125	-6.63695
-61	125	-5.32249
-60	125	-4.16864
-59	125	-3.30914
-58	125	-2.6088
-57	125	-2.0467
-56	125	-1.73322
-55	125	-1.60378
-54	125	-1.65197
-53	125	-1.84338
-52	125	-2.11217
-51	125	-2.47488
-50	125	-2.96529
-49	125	-3.45985
-48	125	-3.86937
-47	125	-4.01348
-46	125	-3.96242
-45	125	-3.66221
-44	125	-3.2017
-43	125	-2.65573
-42	125	-2.05344
-41	125	-1.45024
-40	125	-0.878763
-39	125	-0.367558
-38	125	0.0201623
-37	125	0.345901
-36	125	0.633281
-35	125	0.867735
-34	125	1.0496
-33	125	1.14263
-32	125	1.18447
-31	125	1.19518
-30	125	1.18327
-29	125	1.14719
-28	125	1.08956
-27	125	1.03511
-26	125	1.00456
-25	125	0.994027
-24	125	0.983353
-23	125	0.959035
-22	125	0.900179
-21	125	0.843999
-20	125	0.861968
-19	125	0.897452
-18	125	0.940759
-17	125	0.98651
-16	125	1.02968
-15	125	1.07153
-14	125	1.13777
-13	125	1.19304
-12	125	1.28377
-11	125	1.33473
-10	125	1.36458
-9	125	1.39355
-8	125	1.486
-7	125	1.5146
-6	125	1.52131
-5	125	1.57517
-4	125	1.67181
-3	125	1.71322
-2	125	1.7563
-1	125	1.84053
0	125	1.89395
1	125	1.9317
2	125	1.92421
3	125	1.94136
4	125	2.01849
5	125	2.11252
6	125	2.1687
7	125	2.1888
8	125	2.1915

9	125	2.24099
10	125	2.2996
11	125	2.336
12	125	2.31062
13	125	2.23132
14	125	2.19634
15	125	2.17201
16	125	2.16036
17	125	2.09972
18	125	2.02527
19	125	1.94205
20	125	1.83525
21	125	1.71232
22	125	1.54277
23	125	1.35849
24	125	1.15745
25	125	0.961731
26	125	0.762718
27	125	0.5705
28	125	0.390793
29	125	0.223376
30	125	0.103189
31	125	0.0352619
32	125	0.0397614
33	125	0.0736076
34	125	0.164335
35	125	0.296816
36	125	0.437604
37	125	0.578235
38	125	0.698104
39	125	0.767863
40	125	0.795178
41	125	0.751177
42	125	0.6692
43	125	0.479862
44	125	0.190891
45	125	-0.172388
46	125	-0.624794
47	125	-1.15965
48	125	-1.7691
49	125	-2.3855
50	125	-2.95838
51	125	-3.42814
52	125	-3.72414
53	125	-3.75777
54	125	-3.55354
55	125	-3.17469
56	125	-2.70911
57	125	-2.25655
58	125	-1.89437
59	125	-1.66023
60	125	-1.57606
61	125	-1.63702
62	125	-1.88666
63	125	-2.37045
64	125	-3.07545
65	125	-3.97136
66	125	-5.12721
67	125	-6.45239
68	125	-7.80307
69	125	-8.65463
70	125	-8.57321
71	125	-7.68867
72	125	-6.51891
73	125	-5.42776
74	125	-4.51885
75	125	-3.87935
76	125	-3.55773
77	125	-3.52551
78	125	-3.78045
79	125	-4.40795
80	125	-5.34306
81	125	-6.67174
82	125	-8.75635
83	125	-11.5341
84	125	-14.7322
85	125	-15.293
86	125	-12.3089
87	125	-9.35963
88	125	-7.21675
89	125	-5.69114
90	125	-4.67511
91	125	-4.0685
92	125	-3.82089
93	125	-3.90976
94	125	-4.29268
95	125	-4.93156
96	125	-6.21767
97	125	-8.14791
98	125	-11.0757
99	125	-16.7173
100	125	-21.5208
101	125	-15.2242
102	125	-10.5474
103	125	-7.75029

104	125	-5.89065
105	125	-4.63218
106	125	-3.81391
107	125	-3.41113
108	125	-3.24111
109	125	-3.41699
110	125	-3.78319
111	125	-4.49833
112	125	-5.42989
113	125	-6.59427
114	125	-7.815
115	125	-8.82843
116	125	-9.04321
117	125	-8.26918
118	125	-6.97419
119	125	-5.67263
120	125	-4.3847
121	125	-3.56151
122	125	-2.83762
123	125	-2.22623
124	125	-1.86454
125	125	-1.70851
126	125	-1.71852
127	125	-1.86922
128	125	-2.14462
129	125	-2.50687
130	125	-2.95135
131	125	-3.41707
132	125	-3.81242
133	125	-4.03388
134	125	-4.05248
135	125	-3.76437
136	125	-3.35366
137	125	-2.81628
138	125	-2.22644
139	125	-1.62862
140	125	-1.06053
141	125	-0.55016
142	125	-0.106966
143	125	0.24773
144	125	0.568646
145	125	0.808872
146	125	0.977864
147	125	1.10281
148	125	1.21215
149	125	1.27129
150	125	1.27937
151	125	1.27284
152	125	1.24296
153	125	1.22355
154	125	1.2036
155	125	1.19518
156	125	1.1778
157	125	1.14938
158	125	1.10451
159	125	1.07262
160	125	1.09229
161	125	1.10058
162	125	1.14319
163	125	1.15049
164	125	1.16477
165	125	1.20737
166	125	1.25044
167	125	1.28644
168	125	1.35872
169	125	1.40185
170	125	1.43205
171	125	1.48452
172	125	1.51078
173	125	1.55741
174	125	1.5818
175	125	1.6124
176	125	1.70456
177	125	1.75024
178	125	1.77182
179	125	1.86503
180	125	1.909
-180	126	1.96875
-179	126	2.0136
-178	126	2.01529
-177	126	2.03571
-176	126	2.10743
-175	126	2.18099
-174	126	2.25509
-173	126	2.27391
-172	126	2.27839
-171	126	2.30606
-170	126	2.35165
-169	126	2.35823
-168	126	2.32266
-167	126	2.23301
-166	126	2.16358
-165	126	2.11475
-164	126	2.0721
-163	126	2.00499

-162	126	1.92107
-161	126	1.8257
-160	126	1.69954
-159	126	1.53983
-158	126	1.36563
-157	126	1.15655
-156	126	0.952265
-155	126	0.734612
-154	126	0.562593
-153	126	0.389636
-152	126	0.255248
-151	126	0.163402
-150	126	0.137585
-149	126	0.14742
-148	126	0.200688
-147	126	0.301193
-146	126	0.446281
-145	126	0.585596
-144	126	0.745252
-143	126	0.87315
-142	126	0.94973
-141	126	1.02084
-140	126	1.00384
-139	126	0.925681
-138	126	0.778035
-137	126	0.549138
-136	126	0.231642
-135	126	-0.175128
-134	126	-0.666077
-133	126	-1.23032
-132	126	-1.87521
-131	126	-2.50324
-130	126	-3.08954
-129	126	-3.52105
-128	126	-3.73463
-127	126	-3.68077
-126	126	-3.38941
-125	126	-2.93032
-124	126	-2.4347
-123	126	-2.08457
-122	126	-1.71113
-121	126	-1.50807
-120	126	-1.47062
-119	126	-1.55441
-118	126	-1.84775
-117	126	-2.36661
-116	126	-3.10754
-115	126	-4.10078
-114	126	-5.25352
-113	126	-6.60355
-112	126	-7.83274
-111	126	-8.52107
-110	126	-8.34294
-109	126	-7.48887
-108	126	-6.36134
-107	126	-5.28035
-106	126	-4.44142
-105	126	-3.78591
-104	126	-3.53823
-103	126	-3.56216
-102	126	-3.88875
-101	126	-4.55128
-100	126	-5.5332
-99	126	-7.02953
-98	126	-9.29174
-97	126	-12.5946
-96	126	-16.8511
-95	126	-16.8316
-94	126	-12.5148
-93	126	-8.95429
-92	126	-6.78093
-91	126	-5.28689
-90	126	-4.48707
-89	126	-3.83104
-88	126	-3.53575
-87	126	-3.6107
-86	126	-4.02342
-85	126	-4.85772
-84	126	-6.14866
-83	126	-8.04553
-82	126	-10.886
-81	126	-16.3914
-80	126	-21.8354
-79	126	-15.4396
-78	126	-10.5829
-77	126	-7.67253
-76	126	-5.7808
-75	126	-4.47774
-74	126	-3.58865
-73	126	-3.09596
-72	126	-2.89452
-71	126	-2.95812
-70	126	-3.31278
-69	126	-3.88957
-68	126	-4.7631

-67	126	-5.94509
-66	126	-7.26136
-65	126	-8.49917
-64	126	-9.08265
-63	126	-8.61973
-62	126	-7.42951
-61	126	-6.08644
-60	126	-4.78667
-59	126	-3.72613
-58	126	-2.951
-57	126	-2.32217
-56	126	-1.84494
-55	126	-1.58999
-54	126	-1.52791
-53	126	-1.59878
-52	126	-1.78618
-51	126	-2.13139
-50	126	-2.53254
-49	126	-2.98293
-48	126	-3.43849
-47	126	-3.68829
-46	126	-3.83934
-45	126	-3.76273
-44	126	-3.54925
-43	126	-3.13293
-42	126	-2.59013
-41	126	-2.00358
-40	126	-1.44492
-39	126	-0.950401
-38	126	-0.504768
-37	126	-0.0763388
-36	126	0.268368
-35	126	0.557031
-34	126	0.77448
-33	126	0.946131
-32	126	1.0701
-31	126	1.13485
-30	126	1.1832
-29	126	1.20565
-28	126	1.19453
-27	126	1.18133
-26	126	1.17355
-25	126	1.14873
-24	126	1.12886
-23	126	1.12212
-22	126	1.07684
-21	126	1.0302
-20	126	1.02273
-19	126	1.07003
-18	126	1.11516
-17	126	1.14411
-16	126	1.20405
-15	126	1.22919
-14	126	1.26449
-13	126	1.32384
-12	126	1.38583
-11	126	1.40923
-10	126	1.43422
-9	126	1.49742
-8	126	1.54248
-7	126	1.55551
-6	126	1.60247
-5	126	1.65883
-4	126	1.75676
-3	126	1.76497
-2	126	1.81785
-1	126	1.87299
0	126	1.93175
1	126	1.98433
2	126	1.99561
3	126	2.01147
4	126	2.07437
5	126	2.16813
6	126	2.2556
7	126	2.28839
8	126	2.26521
9	126	2.27837
10	126	2.31946
11	126	2.34148
12	126	2.3354
13	126	2.24892
14	126	2.16049
15	126	2.09312
16	126	2.04278
17	126	1.94526
18	126	1.87278
19	126	1.76848
20	126	1.63576
21	126	1.47536
22	126	1.30141
23	126	1.09414
24	126	0.8705
25	126	0.665016
26	126	0.464925
27	126	0.281583

28	126	0.104439
29	126	-0.0215903
30	126	-0.0970945
31	126	-0.110238
32	126	-0.0773762
33	126	0.0154077
34	126	0.173533
35	126	0.31041
36	126	0.470877
37	126	0.605405
38	126	0.711254
39	126	0.7738
40	126	0.790348
41	126	0.735499
42	126	0.610493
43	126	0.376195
44	126	0.0639355
45	126	-0.340742
46	126	-0.813415
47	126	-1.37064
48	126	-1.97837
49	126	-2.59405
50	126	-3.15822
51	126	-3.56161
52	126	-3.75661
53	126	-3.69767
54	126	-3.4096
55	126	-2.97715
56	126	-2.5182
57	126	-2.10356
58	126	-1.79297
59	126	-1.5817
60	126	-1.50859
61	126	-1.60444
62	126	-1.88608
63	126	-2.40843
64	126	-3.10474
65	126	-4.0671
66	126	-5.23537
67	126	-6.61117
68	126	-7.9402
69	126	-8.80746
70	126	-8.69547
71	126	-7.74461
72	126	-6.59087
73	126	-5.44929
74	126	-4.54305
75	126	-3.91137
76	126	-3.58934
77	126	-3.54124
78	126	-3.79442
79	126	-4.39597
80	126	-5.29812
81	126	-6.6164
82	126	-8.689
83	126	-11.5172
84	126	-15.1378
85	126	-16.5958
86	126	-13.3381
87	126	-10.019
88	126	-7.67157
89	126	-6.02363
90	126	-4.92819
91	126	-4.2575
92	126	-3.96146
93	126	-3.9641
94	126	-4.34554
95	126	-4.82934
96	126	-5.99441
97	126	-7.76173
98	126	-10.393
99	126	-15.5235
100	126	-22.2567
101	126	-16.6328
102	126	-11.473
103	126	-8.40122
104	126	-6.32718
105	126	-4.93007
106	126	-4.01003
107	126	-3.50521
108	126	-3.3098
109	126	-3.30968
110	126	-3.63465
111	126	-4.21281
112	126	-5.06503
113	126	-6.13665
114	126	-7.39569
115	126	-8.52808
116	126	-9.19793
117	126	-8.81995
118	126	-7.66242
119	126	-6.28911
120	126	-4.9954
121	126	-3.98423
122	126	-3.23394

123	126	-2.53115
124	126	-2.00759
125	126	-1.72349
126	126	-1.6395
127	126	-1.67322
128	126	-1.86984
129	126	-2.15588
130	126	-2.54823
131	126	-2.98074
132	126	-3.3963
133	126	-3.70565
134	126	-3.8944
135	126	-3.85942
136	126	-3.62969
137	126	-3.23989
138	126	-2.71989
139	126	-2.15527
140	126	-1.59224
141	126	-1.03932
142	126	-0.571834
143	126	-0.159962
144	126	0.207467
145	126	0.5232
146	126	0.765831
147	126	0.968092
148	126	1.11816
149	126	1.21643
150	126	1.28837
151	126	1.32105
152	126	1.33335
153	126	1.348
154	126	1.36043
155	126	1.3759
156	126	1.36382
157	126	1.34798
158	126	1.31488
159	126	1.24626
160	126	1.2766
161	126	1.25452
162	126	1.26714
163	126	1.28056
164	126	1.31185
165	126	1.312
166	126	1.33027
167	126	1.39668
168	126	1.45074
169	126	1.48473
170	126	1.49939
171	126	1.53016
172	126	1.55813
173	126	1.60151
174	126	1.6342
175	126	1.68372
176	126	1.77002
177	126	1.7859
178	126	1.84133
179	126	1.91272
180	126	1.96875
-180	127	1.98484
-179	127	2.02184
-178	127	2.03154
-177	127	2.04007
-176	127	2.09845
-175	127	2.17877
-174	127	2.23465
-173	127	2.25777
-172	127	2.25441
-171	127	2.24929
-170	127	2.26623
-169	127	2.258
-168	127	2.23381
-167	127	2.13762
-166	127	2.02914
-165	127	1.94065
-164	127	1.88042
-163	127	1.78573
-162	127	1.66776
-161	127	1.54789
-160	127	1.4003
-159	127	1.22843
-158	127	1.04132
-157	127	0.828713
-156	127	0.627998
-155	127	0.448332
-154	127	0.253085
-153	127	0.130882
-152	127	-0.00412463
-151	127	-0.0353049
-150	127	-0.0349107
-149	127	0.0138943
-148	127	0.102716
-147	127	0.245411
-146	127	0.412782
-145	127	0.567485
-144	127	0.723421

-143	127	0.867909
-142	127	0.943237
-141	127	0.962148
-140	127	0.926532
-139	127	0.822731
-138	127	0.646084
-137	127	0.389885
-136	127	0.044371
-135	127	-0.38962
-134	127	-0.910508
-133	127	-1.49273
-132	127	-2.14148
-131	127	-2.77025
-130	127	-3.28847
-129	127	-3.61858
-128	127	-3.6987
-127	127	-3.52163
-126	127	-3.15731
-125	127	-2.69262
-124	127	-2.25895
-123	127	-1.86375
-122	127	-1.57499
-121	127	-1.42558
-120	127	-1.37238
-119	127	-1.53043
-118	127	-1.88671
-117	127	-2.4882
-116	127	-3.24801
-115	127	-4.25749
-114	127	-5.43934
-113	127	-6.76905
-112	127	-8.00598
-111	127	-8.69623
-110	127	-8.53911
-109	127	-7.53146
-108	127	-6.32622
-107	127	-5.23271
-106	127	-4.40073
-105	127	-3.73407
-104	127	-3.44827
-103	127	-3.45305
-102	127	-3.78279
-101	127	-4.3622
-100	127	-5.32754
-99	127	-6.82805
-98	127	-9.03578
-97	127	-12.3532
-96	127	-17.0881
-95	127	-18.3466
-94	127	-13.7134
-93	127	-9.7969
-92	127	-7.42837
-91	127	-5.81214
-90	127	-4.925
-89	127	-4.20345
-88	127	-3.84435
-87	127	-3.8591
-86	127	-4.21246
-85	127	-4.95998
-84	127	-6.14999
-83	127	-7.93602
-82	127	-10.601
-81	127	-14.6522
-80	127	-21.3458
-79	127	-16.2682
-78	127	-11.338
-77	127	-8.22822
-76	127	-6.09049
-75	127	-4.70341
-74	127	-3.78774
-73	127	-3.22163
-72	127	-2.92521
-71	127	-2.94239
-70	127	-3.1712
-69	127	-3.66405
-68	127	-4.31582
-67	127	-5.49329
-66	127	-6.80743
-65	127	-8.14636
-64	127	-9.10307
-63	127	-9.08693
-62	127	-8.14173
-61	127	-6.75611
-60	127	-5.43915
-59	127	-4.17194
-58	127	-3.25677
-57	127	-2.64198
-56	127	-2.0185
-55	127	-1.65835
-54	127	-1.47361
-53	127	-1.42214
-52	127	-1.52371
-51	127	-1.76577
-50	127	-2.10017
-49	127	-2.49087

-48	127	-2.88324
-47	127	-3.1906
-46	127	-3.51788
-45	127	-3.73709
-44	127	-3.69391
-43	127	-3.46352
-42	127	-3.06216
-41	127	-2.60002
-40	127	-2.11089
-39	127	-1.58476
-38	127	-1.07144
-37	127	-0.634402
-36	127	-0.255213
-35	127	0.0867478
-34	127	0.387186
-33	127	0.620839
-32	127	0.802567
-31	127	0.939147
-30	127	1.04451
-29	127	1.12625
-28	127	1.15762
-27	127	1.19618
-26	127	1.21672
-25	127	1.23268
-24	127	1.22391
-23	127	1.21254
-22	127	1.20232
-21	127	1.2131
-20	127	1.2012
-19	127	1.21623
-18	127	1.2335
-17	127	1.26637
-16	127	1.29739
-15	127	1.32071
-14	127	1.36381
-13	127	1.41231
-12	127	1.4795
-11	127	1.4952
-10	127	1.54736
-9	127	1.603
-8	127	1.62611
-7	127	1.6475
-6	127	1.67558
-5	127	1.73258
-4	127	1.76674
-3	127	1.79492
-2	127	1.86163
-1	127	1.90101
0	127	1.95435
1	127	1.97942
2	127	2.00442
3	127	2.0147
4	127	2.0523
5	127	2.13221
6	127	2.24413
7	127	2.28178
8	127	2.26566
9	127	2.23561
10	127	2.23835
11	127	2.24153
12	127	2.23959
13	127	2.15869
14	127	2.03763
15	127	1.92744
16	127	1.82834
17	127	1.72598
18	127	1.6062
19	127	1.4935
20	127	1.34861
21	127	1.17839
22	127	0.984568
23	127	0.756223
24	127	0.533691
25	127	0.31475
26	127	0.121246
27	127	-0.058415
28	127	-0.203633
29	127	-0.275176
30	127	-0.270353
31	127	-0.228454
32	127	-0.151746
33	127	-0.0330723
34	127	0.119778
35	127	0.26733
36	127	0.438235
37	127	0.600524
38	127	0.677394
39	127	0.717357
40	127	0.702783
41	127	0.612943
42	127	0.44305
43	127	0.203632
44	127	-0.138149
45	127	-0.544007
46	127	-1.06038

47	127	-1.64117
48	127	-2.26365
49	127	-2.87875
50	127	-3.39308
51	127	-3.6981
52	127	-3.77388
53	127	-3.60276
54	127	-3.24004
55	127	-2.76241
56	127	-2.33449
57	127	-1.95117
58	127	-1.66915
59	127	-1.49246
60	127	-1.45062
61	127	-1.57981
62	127	-1.91783
63	127	-2.4126
64	127	-3.14759
65	127	-4.12927
66	127	-5.31747
67	127	-6.71144
68	127	-8.06142
69	127	-8.87348
70	127	-8.73304
71	127	-7.69692
72	127	-6.51608
73	127	-5.37703
74	127	-4.46509
75	127	-3.86115
76	127	-3.52339
77	127	-3.44015
78	127	-3.70988
79	127	-4.22528
80	127	-5.07783
81	127	-6.45467
82	127	-8.41231
83	127	-11.2036
84	127	-14.9357
85	127	-17.5677
86	127	-14.6054
87	127	-10.9811
88	127	-8.42401
89	127	-6.65022
90	127	-5.43539
91	127	-4.68818
92	127	-4.25551
93	127	-4.19387
94	127	-4.3954
95	127	-4.89238
96	127	-5.97008
97	127	-7.5956
98	127	-10.0493
99	127	-13.8536
100	127	-21.529
101	127	-18.0084
102	127	-12.4073
103	127	-8.97885
104	127	-6.74789
105	127	-5.24316
106	127	-4.24285
107	127	-3.61836
108	127	-3.34057
109	127	-3.29483
110	127	-3.53734
111	127	-3.98155
112	127	-4.74242
113	127	-5.69987
114	127	-6.92308
115	127	-8.13363
116	127	-9.03147
117	127	-9.20279
118	127	-8.32916
119	127	-6.94118
120	127	-5.64512
121	127	-4.46138
122	127	-3.56406
123	127	-2.91054
124	127	-2.19852
125	127	-1.80734
126	127	-1.59424
127	127	-1.5345
128	127	-1.61399
129	127	-1.85389
130	127	-2.15657
131	127	-2.52149
132	127	-2.9166
133	127	-3.27427
134	127	-3.58805
135	127	-3.72725
136	127	-3.71107
137	127	-3.51543
138	127	-3.13822
139	127	-2.66819
140	127	-2.12835
141	127	-1.64212

142	127	-1.13944
143	127	-0.688737
144	127	-0.280904
145	127	0.0908817
146	127	0.404145
147	127	0.670793
148	127	0.887575
149	127	1.05702
150	127	1.16982
151	127	1.25116
152	127	1.29922
153	127	1.3422
154	127	1.38509
155	127	1.42199
156	127	1.42754
157	127	1.41735
158	127	1.40072
159	127	1.37921
160	127	1.36375
161	127	1.37162
162	127	1.36423
163	127	1.37587
164	127	1.38268
165	127	1.3786
166	127	1.39397
167	127	1.42762
168	127	1.48286
169	127	1.51122
170	127	1.53636
171	127	1.56771
172	127	1.61612
173	127	1.637
174	127	1.66541
175	127	1.73639
176	127	1.77104
177	127	1.80865
178	127	1.87946
179	127	1.92673
180	127	1.98484
-180	128	1.94929
-179	128	1.97939
-178	128	1.97158
-177	128	1.98032
-176	128	2.01606
-175	128	2.07165
-174	128	2.13528
-173	128	2.17681
-172	128	2.16464
-171	128	2.1255
-170	128	2.11823
-169	128	2.12425
-168	128	2.06523
-167	128	1.96515
-166	128	1.81939
-165	128	1.68118
-164	128	1.57248
-163	128	1.46379
-162	128	1.30701
-161	128	1.19921
-160	128	1.02799
-159	128	0.861107
-158	128	0.671044
-157	128	0.45739
-156	128	0.269999
-155	128	0.104907
-154	128	-0.0652097
-153	128	-0.1704
-152	128	-0.227048
-151	128	-0.231745
-150	128	-0.152906
-149	128	-0.0978595
-148	128	0.0488078
-147	128	0.218181
-146	128	0.37553
-145	128	0.527001
-144	128	0.689898
-143	128	0.797496
-142	128	0.846955
-141	128	0.828083
-140	128	0.757553
-139	128	0.614451
-138	128	0.407343
-137	128	0.112257
-136	128	-0.256916
-135	128	-0.714008
-134	128	-1.25961
-133	128	-1.86565
-132	128	-2.49778
-131	128	-3.06406
-130	128	-3.48883
-129	128	-3.69896
-128	128	-3.65149
-127	128	-3.37949
-126	128	-2.94289
-125	128	-2.48044

-124	128	-2.01876
-123	128	-1.64705
-122	128	-1.41112
-121	128	-1.28339
-120	128	-1.30754
-119	128	-1.57902
-118	128	-1.90592
-117	128	-2.50498
-116	128	-3.32337
-115	128	-4.37601
-114	128	-5.6154
-113	128	-6.97042
-112	128	-8.17766
-111	128	-8.92107
-110	128	-8.53979
-109	128	-7.45098
-108	128	-6.21128
-107	128	-5.14945
-106	128	-4.2831
-105	128	-3.60739
-104	128	-3.32577
-103	128	-3.33396
-102	128	-3.62527
-101	128	-4.2036
-100	128	-5.12946
-99	128	-6.58228
-98	128	-8.64397
-97	128	-11.7286
-96	128	-16.5025
-95	128	-19.7414
-94	128	-15.0204
-93	128	-10.6996
-92	128	-8.11943
-91	128	-6.36174
-90	128	-5.42217
-89	128	-4.60717
-88	128	-4.21122
-87	128	-4.12139
-86	128	-4.41569
-85	128	-5.09362
-84	128	-6.17353
-83	128	-7.83016
-82	128	-10.2638
-81	128	-13.9757
-80	128	-20.1007
-79	128	-16.8998
-78	128	-11.932
-77	128	-8.67077
-76	128	-6.50056
-75	128	-5.05375
-74	128	-4.03258
-73	128	-3.40186
-72	128	-3.0338
-71	128	-2.93512
-70	128	-3.11123
-69	128	-3.50398
-68	128	-4.17504
-67	128	-5.09185
-66	128	-6.28062
-65	128	-7.63553
-64	128	-8.80088
-63	128	-9.31283
-62	128	-8.78546
-61	128	-7.44172
-60	128	-6.07151
-59	128	-4.67684
-58	128	-3.64425
-57	128	-2.9485
-56	128	-2.2952
-55	128	-1.75141
-54	128	-1.47918
-53	128	-1.33221
-52	128	-1.35763
-51	128	-1.47542
-50	128	-1.6952
-49	128	-1.97016
-48	128	-2.40222
-47	128	-2.81343
-46	128	-3.20624
-45	128	-3.50642
-44	128	-3.65005
-43	128	-3.61038
-42	128	-3.45295
-41	128	-3.14893
-40	128	-2.69746
-39	128	-2.19587
-38	128	-1.73244
-37	128	-1.28758
-36	128	-0.879339
-35	128	-0.482425
-34	128	-0.132851
-33	128	0.167321
-32	128	0.421817
-31	128	0.610997
-30	128	0.762939

-29	128	0.9245
-28	128	1.02994
-27	128	1.12089
-26	128	1.18231
-25	128	1.21658
-24	128	1.23978
-23	128	1.25262
-22	128	1.25308
-21	128	1.25199
-20	128	1.29696
-19	128	1.29195
-18	128	1.2812
-17	128	1.32429
-16	128	1.35141
-15	128	1.36415
-14	128	1.41319
-13	128	1.46027
-12	128	1.50213
-11	128	1.55473
-10	128	1.58833
-9	128	1.61821
-8	128	1.6686
-7	128	1.67212
-6	128	1.7163
-5	128	1.77284
-4	128	1.7734
-3	128	1.84873
-2	128	1.87818
-1	128	1.89569
0	128	1.92866
1	128	1.94223
2	128	1.95765
3	128	1.96488
4	128	1.98845
5	128	2.06142
6	128	2.14676
7	128	2.21657
8	128	2.20712
9	128	2.15415
10	128	2.0962
11	128	2.08932
12	128	2.06741
13	128	2.00512
14	128	1.87205
15	128	1.7233
16	128	1.57667
17	128	1.43068
18	128	1.27218
19	128	1.17463
20	128	1.00481
21	128	0.809866
22	128	0.607948
23	128	0.387465
24	128	0.165937
25	128	-0.0399322
26	128	-0.220386
27	128	-0.375375
28	128	-0.452217
29	128	-0.474602
30	128	-0.447882
31	128	-0.35714
32	128	-0.255768
33	128	-0.082872
34	128	0.077439
35	128	0.237029
36	128	0.402416
37	128	0.530723
38	128	0.621108
39	128	0.615246
40	128	0.557377
41	128	0.455058
42	128	0.235488
43	128	-0.0578876
44	128	-0.457185
45	128	-0.898203
46	128	-1.43744
47	128	-2.03388
48	128	-2.6267
49	128	-3.19064
50	128	-3.62921
51	128	-3.833
52	128	-3.80324
53	128	-3.52623
54	128	-3.11211
55	128	-2.63547
56	128	-2.18132
57	128	-1.81209
58	128	-1.55392
59	128	-1.42671
60	128	-1.4419
61	128	-1.61635
62	128	-1.93869
63	128	-2.50746
64	128	-3.29401
65	128	-4.30088

66	128	-5.54057
67	128	-6.94222
68	128	-8.24191
69	128	-8.91932
70	128	-8.63075
71	128	-7.60029
72	128	-6.39306
73	128	-5.26947
74	128	-4.37991
75	128	-3.78109
76	128	-3.42898
77	128	-3.35075
78	128	-3.57703
79	128	-4.06115
80	128	-4.84982
81	128	-6.17924
82	128	-7.95555
83	128	-10.61
84	128	-14.1849
85	128	-17.7194
86	128	-15.7826
87	128	-12.0271
88	128	-9.1354
89	128	-7.26738
90	128	-5.93762
91	128	-5.06857
92	128	-4.59717
93	128	-4.49438
94	128	-4.70125
95	128	-5.01293
96	128	-5.97678
97	128	-7.46155
98	128	-9.69136
99	128	-13.0868
100	128	-19.7989
101	128	-18.9903
102	128	-13.1493
103	128	-9.4642
104	128	-7.13231
105	128	-5.59652
106	128	-4.51139
107	128	-3.80085
108	128	-3.41845
109	128	-3.29945
110	128	-3.4379
111	128	-3.83699
112	128	-4.46171
113	128	-5.32495
114	128	-6.48835
115	128	-7.70161
116	128	-8.74934
117	128	-9.13134
118	128	-8.77151
119	128	-7.55839
120	128	-6.30344
121	128	-5.04941
122	128	-3.97389
123	128	-3.20462
124	128	-2.50597
125	128	-1.90345
126	128	-1.60737
127	128	-1.46634
128	128	-1.45167
129	128	-1.57202
130	128	-1.80966
131	128	-2.05456
132	128	-2.41299
133	128	-2.77944
134	128	-3.18975
135	128	-3.47742
136	128	-3.67422
137	128	-3.66447
138	128	-3.47611
139	128	-3.09797
140	128	-2.70355
141	128	-2.29707
142	128	-1.81989
143	128	-1.33813
144	128	-0.869189
145	128	-0.449647
146	128	-0.0940513
147	128	0.217787
148	128	0.480792
149	128	0.694578
150	128	0.855634
151	128	0.999918
152	128	1.09156
153	128	1.18424
154	128	1.27144
155	128	1.32118
156	128	1.36291
157	128	1.40043
158	128	1.37051
159	128	1.38352
160	128	1.39339

161	128	1.40064
162	128	1.371
163	128	1.38582
164	128	1.40494
165	128	1.4173
166	128	1.44708
167	128	1.47577
168	128	1.48944
169	128	1.51616
170	128	1.54713
171	128	1.56762
172	128	1.59385
173	128	1.64209
174	128	1.66851
175	128	1.74371
176	128	1.75553
177	128	1.81307
178	128	1.86222
179	128	1.909
180	128	1.94929
-180	129	1.88488
-179	129	1.91245
-178	129	1.91228
-177	129	1.89961
-176	129	1.8937
-175	129	1.92885
-174	129	2.00261
-173	129	2.03502
-172	129	2.02733
-171	129	1.98119
-170	129	1.9395
-169	129	1.88077
-168	129	1.81095
-167	129	1.72184
-166	129	1.57065
-165	129	1.40916
-164	129	1.24022
-163	129	1.0929
-162	129	0.911201
-161	129	0.778461
-160	129	0.625802
-159	129	0.464297
-158	129	0.276425
-157	129	0.067734
-156	129	-0.0999656
-155	129	-0.234213
-154	129	-0.345205
-153	129	-0.413948
-152	129	-0.419574
-151	129	-0.377233
-150	129	-0.28949
-149	129	-0.146015
-148	129	0.00288663
-147	129	0.19725
-146	129	0.364854
-145	129	0.502671
-144	129	0.637237
-143	129	0.710776
-142	129	0.720174
-141	129	0.659314
-140	129	0.560714
-139	129	0.381293
-138	129	0.130727
-137	129	-0.217795
-136	129	-0.644643
-135	129	-1.1476
-134	129	-1.73364
-133	129	-2.35533
-132	129	-2.94344
-131	129	-3.42193
-130	129	-3.77688
-129	129	-3.8436
-128	129	-3.62504
-127	129	-3.2685
-126	129	-2.79603
-125	129	-2.29777
-124	129	-1.85514
-123	129	-1.53598
-122	129	-1.35152
-121	129	-1.19638
-120	129	-1.28478
-119	129	-1.50186
-118	129	-1.93242
-117	129	-2.57086
-116	129	-3.42696
-115	129	-4.53624
-114	129	-5.82884
-113	129	-7.22773
-112	129	-8.51554
-111	129	-9.08331
-110	129	-8.49926
-109	129	-7.3847
-108	129	-6.1572
-107	129	-5.04644
-106	129	-4.09996

-105	129	-3.53152
-104	129	-3.23693
-103	129	-3.23219
-102	129	-3.46301
-101	129	-3.97821
-100	129	-4.92708
-99	129	-6.33058
-98	129	-8.31265
-97	129	-11.188
-96	129	-15.4167
-95	129	-19.7012
-94	129	-16.1253
-93	129	-11.7503
-92	129	-8.69509
-91	129	-6.86802
-90	129	-5.87548
-89	129	-4.99153
-88	129	-4.49851
-87	129	-4.35002
-86	129	-4.58162
-85	129	-5.17434
-84	129	-6.16737
-83	129	-7.65627
-82	129	-9.86636
-81	129	-13.1054
-80	129	-18.6339
-79	129	-17.4168
-78	129	-12.7839
-77	129	-9.32912
-76	129	-7.04074
-75	129	-5.44422
-74	129	-4.32646
-73	129	-3.60647
-72	129	-3.17278
-71	129	-2.98867
-70	129	-3.08439
-69	129	-3.34222
-68	129	-3.99861
-67	129	-4.82895
-66	129	-5.88292
-65	129	-7.18739
-64	129	-8.49788
-63	129	-9.30451
-62	129	-9.14656
-61	129	-8.05961
-60	129	-6.69885
-59	129	-5.36888
-58	129	-4.16267
-57	129	-3.25748
-56	129	-2.63283
-55	129	-1.90964
-54	129	-1.58707
-53	129	-1.33293
-52	129	-1.22343
-51	129	-1.21271
-50	129	-1.3499
-49	129	-1.59992
-48	129	-1.94192
-47	129	-2.28802
-46	129	-2.68266
-45	129	-3.06523
-44	129	-3.40974
-43	129	-3.6402
-42	129	-3.69956
-41	129	-3.55441
-40	129	-3.28878
-39	129	-2.93403
-38	129	-2.49447
-37	129	-2.01908
-36	129	-1.61079
-35	129	-1.21186
-34	129	-0.835738
-33	129	-0.476839
-32	129	-0.154543
-31	129	0.113504
-30	129	0.332084
-29	129	0.529956
-28	129	0.693048
-27	129	0.839158
-26	129	0.962499
-25	129	1.04438
-24	129	1.0891
-23	129	1.10395
-22	129	1.12127
-21	129	1.15996
-20	129	1.23247
-19	129	1.27023
-18	129	1.23327
-17	129	1.26794
-16	129	1.34348
-15	129	1.35124
-14	129	1.37292
-13	129	1.42067
-12	129	1.47597
-11	129	1.51692

-10	129	1.54104
-9	129	1.59591
-8	129	1.63451
-7	129	1.68068
-6	129	1.74754
-5	129	1.73981
-4	129	1.76354
-3	129	1.8117
-2	129	1.81016
-1	129	1.83403
0	129	1.86233
1	129	1.88758
2	129	1.90254
3	129	1.88836
4	129	1.88365
5	129	1.90526
6	129	2.00818
7	129	2.08925
8	129	2.10854
9	129	2.05022
10	129	1.95249
11	129	1.86104
12	129	1.80955
13	129	1.73205
14	129	1.60369
15	129	1.46041
16	129	1.26655
17	129	1.09108
18	129	0.866446
19	129	0.761522
20	129	0.622684
21	129	0.429106
22	129	0.19928
23	129	-0.039956
24	129	-0.235635
25	129	-0.403421
26	129	-0.543671
27	129	-0.634337
28	129	-0.670164
29	129	-0.667264
30	129	-0.609501
31	129	-0.484722
32	129	-0.335389
33	129	-0.15686
34	129	0.0194982
35	129	0.185055
36	129	0.347601
37	129	0.449069
38	129	0.490966
39	129	0.467733
40	129	0.37312
41	129	0.180521
42	129	-0.0485784
43	129	-0.384665
44	129	-0.803891
45	129	-1.30055
46	129	-1.86965
47	129	-2.46682
48	129	-3.07642
49	129	-3.57919
50	129	-3.91156
51	129	-3.9863
52	129	-3.81711
53	129	-3.45362
54	129	-2.99789
55	129	-2.48968
56	129	-2.05374
57	129	-1.71055
58	129	-1.48466
59	129	-1.39821
60	129	-1.44002
61	129	-1.60774
62	129	-2.01381
63	129	-2.62957
64	129	-3.46437
65	129	-4.52223
66	129	-5.80332
67	129	-7.24722
68	129	-8.54839
69	129	-9.15753
70	129	-8.63905
71	129	-7.58645
72	129	-6.33212
73	129	-5.1903
74	129	-4.33029
75	129	-3.72066
76	129	-3.37273
77	129	-3.28972
78	129	-3.46299
79	129	-3.8919
80	129	-4.73718
81	129	-5.95985
82	129	-7.66114
83	129	-10.0653
84	129	-13.373

85	129	-17.0081
86	129	-16.2774
87	129	-12.6351
88	129	-9.71057
89	129	-7.68129
90	129	-6.24681
91	129	-5.33902
92	129	-4.82576
93	129	-4.65741
94	129	-4.78772
95	129	-5.01653
96	129	-5.91162
97	129	-7.20632
98	129	-9.24793
99	129	-12.1255
100	129	-18.0965
101	129	-19.6206
102	129	-14.2333
103	129	-10.2819
104	129	-7.73628
105	129	-5.97918
106	129	-4.79391
107	129	-4.01605
108	129	-3.61245
109	129	-3.42682
110	129	-3.46923
111	129	-3.74678
112	129	-4.20491
113	129	-5.04954
114	129	-6.05149
115	129	-7.15876
116	129	-8.29526
117	129	-8.95674
118	129	-8.87567
119	129	-8.11825
120	129	-6.92976
121	129	-5.65305
122	129	-4.44376
123	129	-3.50292
124	129	-2.84348
125	129	-2.09692
126	129	-1.70643
127	129	-1.43825
128	129	-1.3179
129	129	-1.31774
130	129	-1.45994
131	129	-1.65827
132	129	-1.94475
133	129	-2.32438
134	129	-2.74049
135	129	-3.0998
136	129	-3.4088
137	129	-3.60009
138	129	-3.61566
139	129	-3.47393
140	129	-3.26786
141	129	-2.91868
142	129	-2.53106
143	129	-2.07264
144	129	-1.60592
145	129	-1.17465
146	129	-0.791944
147	129	-0.422581
148	129	-0.103809
149	129	0.184269
150	129	0.408269
151	129	0.595607
152	129	0.755239
153	129	0.891983
154	129	1.03649
155	129	1.11583
156	129	1.18156
157	129	1.20679
158	129	1.23991
159	129	1.27974
160	129	1.32783
161	129	1.37308
162	129	1.34304
163	129	1.35249
164	129	1.40589
165	129	1.41458
166	129	1.43264
167	129	1.46066
168	129	1.4881
169	129	1.50492
170	129	1.53885
171	129	1.57339
172	129	1.60573
173	129	1.63484
174	129	1.72337
175	129	1.71058
176	129	1.7574
177	129	1.80448
178	129	1.83127
179	129	1.86119

180	129	1.88488
-180	130	1.79516
-179	130	1.81631
-178	130	1.81927
-177	130	1.79565
-176	130	1.77019
-175	130	1.76838
-174	130	1.81586
-173	130	1.8579
-172	130	1.84767
-171	130	1.78601
-170	130	1.70258
-169	130	1.61349
-168	130	1.52528
-167	130	1.41769
-166	130	1.26031
-165	130	1.07015
-164	130	0.872891
-163	130	0.699187
-162	130	0.474341
-161	130	0.33685
-160	130	0.199154
-159	130	0.0350629
-158	130	-0.129979
-157	130	-0.314796
-156	130	-0.440031
-155	130	-0.539405
-154	130	-0.583062
-153	130	-0.595113
-152	130	-0.548275
-151	130	-0.448129
-150	130	-0.317188
-149	130	-0.166122
-148	130	0.0039346
-147	130	0.18326
-146	130	0.328027
-145	130	0.481676
-144	130	0.569706
-143	130	0.563627
-142	130	0.536132
-141	130	0.461859
-140	130	0.320433
-139	130	0.095948
-138	130	-0.231584
-137	130	-0.618551
-136	130	-1.09468
-135	130	-1.63894
-134	130	-2.2689
-133	130	-2.91985
-132	130	-3.42563
-131	130	-3.90357
-130	130	-4.09823
-129	130	-4.01502
-128	130	-3.68647
-127	130	-3.20543
-126	130	-2.69326
-125	130	-2.16176
-124	130	-1.72913
-123	130	-1.43266
-122	130	-1.20031
-121	130	-1.16422
-120	130	-1.27869
-119	130	-1.54995
-118	130	-2.01294
-117	130	-2.68246
-116	130	-3.59412
-115	130	-4.74138
-114	130	-6.06596
-113	130	-7.54631
-112	130	-8.80311
-111	130	-9.15777
-110	130	-8.45085
-109	130	-7.38383
-108	130	-6.10119
-107	130	-5.00814
-106	130	-4.05858
-105	130	-3.50488
-104	130	-3.21045
-103	130	-3.17809
-102	130	-3.39295
-101	130	-3.90133
-100	130	-4.83722
-99	130	-6.16644
-98	130	-8.06052
-97	130	-10.8227
-96	130	-14.75
-95	130	-18.6855
-94	130	-16.4241
-93	130	-12.293
-92	130	-9.11077
-91	130	-7.14764
-90	130	-6.11659
-89	130	-5.1739
-88	130	-4.63387
-87	130	-4.42797

-86	130	-4.58867
-85	130	-5.08923
-84	130	-5.98482
-83	130	-7.30026
-82	130	-9.23791
-81	130	-12.0013
-80	130	-15.7602
-79	130	-17.753
-78	130	-13.5401
-77	130	-9.93794
-76	130	-7.55061
-75	130	-5.80489
-74	130	-4.70721
-73	130	-3.89531
-72	130	-3.38512
-71	130	-3.14364
-70	130	-3.13618
-69	130	-3.37694
-68	130	-3.84809
-67	130	-4.54936
-66	130	-5.45834
-65	130	-6.58041
-64	130	-7.86841
-63	130	-8.94979
-62	130	-9.22394
-61	130	-8.55443
-60	130	-7.36068
-59	130	-5.98582
-58	130	-4.79715
-57	130	-3.71616
-56	130	-2.97633
-55	130	-2.2164
-54	130	-1.72019
-53	130	-1.37113
-52	130	-1.17606
-51	130	-1.11898
-50	130	-1.17429
-49	130	-1.31583
-48	130	-1.56217
-47	130	-1.8782
-46	130	-2.26762
-45	130	-2.70621
-44	130	-3.13514
-43	130	-3.48906
-42	130	-3.71424
-41	130	-3.82909
-40	130	-3.78969
-39	130	-3.62412
-38	130	-3.2874
-37	130	-2.87683
-36	130	-2.47564
-35	130	-2.03762
-34	130	-1.60181
-33	130	-1.17944
-32	130	-0.818277
-31	130	-0.483161
-30	130	-0.19146
-29	130	0.0533585
-28	130	0.261388
-27	130	0.44447
-26	130	0.615751
-25	130	0.743142
-24	130	0.830474
-23	130	0.90133
-22	130	0.958058
-21	130	1.02599
-20	130	1.09225
-19	130	1.14894
-18	130	1.1378
-17	130	1.13526
-16	130	1.21156
-15	130	1.25743
-14	130	1.31076
-13	130	1.36275
-12	130	1.39445
-11	130	1.43253
-10	130	1.46015
-9	130	1.51788
-8	130	1.5545
-7	130	1.62849
-6	130	1.64214
-5	130	1.63861
-4	130	1.68449
-3	130	1.71795
-2	130	1.75138
-1	130	1.75937
0	130	1.76056
1	130	1.77492
2	130	1.79177
3	130	1.774
4	130	1.73805
5	130	1.72048
6	130	1.78647
7	130	1.85157
8	130	1.87573

9	130	1.82723
10	130	1.71633
11	130	1.56698
12	130	1.4512
13	130	1.3779
14	130	1.26692
15	130	1.1227
16	130	0.921838
17	130	0.716903
18	130	0.446719
19	130	0.276241
20	130	0.147103
21	130	-0.0203456
22	130	-0.216281
23	130	-0.444637
24	130	-0.622581
25	130	-0.751946
26	130	-0.850551
27	130	-0.883971
28	130	-0.86173
29	130	-0.783817
30	130	-0.669959
31	130	-0.515333
32	130	-0.335326
33	130	-0.170276
34	130	0.00542373
35	130	0.159274
36	130	0.251537
37	130	0.339198
38	130	0.350159
39	130	0.284189
40	130	0.141407
41	130	-0.0677892
42	130	-0.371292
43	130	-0.749424
44	130	-1.21048
45	130	-1.76322
46	130	-2.3795
47	130	-2.99824
48	130	-3.58055
49	130	-3.98109
50	130	-4.20698
51	130	-4.17401
52	130	-3.87086
53	130	-3.40523
54	130	-2.88584
55	130	-2.37714
56	130	-1.94376
57	130	-1.61465
58	130	-1.40883
59	130	-1.34949
60	130	-1.3861
61	130	-1.64995
62	130	-2.1094
63	130	-2.77394
64	130	-3.66619
65	130	-4.77663
66	130	-6.07384
67	130	-7.53214
68	130	-8.92206
69	130	-9.40056
70	130	-8.74898
71	130	-7.64141
72	130	-6.32792
73	130	-5.2173
74	130	-4.31531
75	130	-3.68394
76	130	-3.35029
77	130	-3.26781
78	130	-3.44529
79	130	-3.83875
80	130	-4.67138
81	130	-5.86246
82	130	-7.49965
83	130	-9.74479
84	130	-12.8118
85	130	-16.1124
86	130	-16.042
87	130	-12.8911
88	130	-9.94429
89	130	-7.92223
90	130	-6.48567
91	130	-5.52622
92	130	-4.97177
93	130	-4.72729
94	130	-4.75803
95	130	-4.87768
96	130	-5.62097
97	130	-6.78978
98	130	-8.53376
99	130	-11.0913
100	130	-14.8525
101	130	-19.3905
102	130	-15.3815
103	130	-11.2383

104	130	-8.45178
105	130	-6.55747
106	130	-5.28112
107	130	-4.36869
108	130	-3.8191
109	130	-3.54405
110	130	-3.48801
111	130	-3.69406
112	130	-4.08878
113	130	-4.78897
114	130	-5.6786
115	130	-6.68798
116	130	-7.7478
117	130	-8.50912
118	130	-8.83006
119	130	-8.38347
120	130	-7.52711
121	130	-6.24317
122	130	-5.02761
123	130	-3.92798
124	130	-3.16088
125	130	-2.38763
126	130	-1.89838
127	130	-1.53261
128	130	-1.32651
129	130	-1.23846
130	130	-1.25463
131	130	-1.38345
132	130	-1.59421
133	130	-1.92253
134	130	-2.31401
135	130	-2.71313
136	130	-3.10805
137	130	-3.4247
138	130	-3.60939
139	130	-3.73258
140	130	-3.67861
141	130	-3.52433
142	130	-3.27055
143	130	-2.88158
144	130	-2.433
145	130	-1.99842
146	130	-1.58683
147	130	-1.14916
148	130	-0.780604
149	130	-0.441347
150	130	-0.151677
151	130	0.0671297
152	130	0.281384
153	130	0.475678
154	130	0.670956
155	130	0.798818
156	130	0.89536
157	130	0.960962
158	130	1.01786
159	130	1.10092
160	130	1.1676
161	130	1.22685
162	130	1.2244
163	130	1.25811
164	130	1.32901
165	130	1.32649
166	130	1.39497
167	130	1.43059
168	130	1.46026
169	130	1.49621
170	130	1.5229
171	130	1.55335
172	130	1.59194
173	130	1.65114
174	130	1.68609
175	130	1.68542
176	130	1.72564
177	130	1.74716
178	130	1.76952
179	130	1.77389
180	130	1.79516
-180	131	1.68613
-179	131	1.6853
-178	131	1.66119
-177	131	1.63132
-176	131	1.59258
-175	131	1.56393
-174	131	1.57821
-173	131	1.60339
-172	131	1.59945
-171	131	1.54456
-170	131	1.44897
-169	131	1.31703
-168	131	1.17678
-167	131	1.04146
-166	131	0.883517
-165	131	0.69184
-164	131	0.476807
-163	131	0.275541

-162	131	0.0337473
-161	131	-0.163599
-160	131	-0.271182
-159	131	-0.394976
-158	131	-0.517831
-157	131	-0.639658
-156	131	-0.720727
-155	131	-0.768795
-154	131	-0.762449
-153	131	-0.701359
-152	131	-0.591278
-151	131	-0.470729
-150	131	-0.30818
-149	131	-0.136976
-148	131	0.0543808
-147	131	0.227013
-146	131	0.362762
-145	131	0.467235
-144	131	0.502064
-143	131	0.488765
-142	131	0.410721
-141	131	0.282555
-140	131	0.0659227
-139	131	-0.228589
-138	131	-0.601236
-137	131	-1.05616
-136	131	-1.59267
-135	131	-2.23001
-134	131	-2.83576
-133	131	-3.48145
-132	131	-4.00003
-131	131	-4.27874
-130	131	-4.34545
-129	131	-4.1409
-128	131	-3.67936
-127	131	-3.13387
-126	131	-2.56585
-125	131	-2.06218
-124	131	-1.66871
-123	131	-1.37391
-122	131	-1.20035
-121	131	-1.19475
-120	131	-1.33873
-119	131	-1.65908
-118	131	-2.16911
-117	131	-2.88477
-116	131	-3.82476
-115	131	-4.99637
-114	131	-6.3784
-113	131	-7.84304
-112	131	-8.98847
-111	131	-9.15392
-110	131	-8.52895
-109	131	-7.33186
-108	131	-6.05975
-107	131	-5.02289
-106	131	-4.06669
-105	131	-3.55064
-104	131	-3.22896
-103	131	-3.1529
-102	131	-3.36817
-101	131	-3.924
-100	131	-4.83252
-99	131	-6.14531
-98	131	-8.0242
-97	131	-10.5965
-96	131	-14.2618
-95	131	-17.8344
-94	131	-16.0796
-93	131	-12.3019
-92	131	-9.23639
-91	131	-7.32259
-90	131	-6.25205
-89	131	-5.24564
-88	131	-4.62949
-87	131	-4.39246
-86	131	-4.46143
-85	131	-4.8736
-84	131	-5.62978
-83	131	-6.78014
-82	131	-8.44971
-81	131	-10.7975
-80	131	-14.0456
-79	131	-17.5992
-78	131	-14.4544
-77	131	-10.9479
-76	131	-8.32612
-75	131	-6.4729
-74	131	-5.1421
-73	131	-4.23607
-72	131	-3.64238
-71	131	-3.30951
-70	131	-3.1852
-69	131	-3.34098
-68	131	-3.71145

-67	131	-4.29606
-66	131	-5.08407
-65	131	-6.08275
-64	131	-7.2167
-63	131	-8.35688
-62	131	-9.06697
-61	131	-8.90877
-60	131	-8.0688
-59	131	-6.74366
-58	131	-5.50846
-57	131	-4.33866
-56	131	-3.33505
-55	131	-2.61863
-54	131	-1.99094
-53	131	-1.63592
-52	131	-1.3124
-51	131	-1.11832
-50	131	-1.0965
-49	131	-1.15817
-48	131	-1.38257
-47	131	-1.63132
-46	131	-1.97423
-45	131	-2.39064
-44	131	-2.81285
-43	131	-3.16239
-42	131	-3.51634
-41	131	-3.83006
-40	131	-4.02134
-39	131	-4.03742
-38	131	-3.86318
-37	131	-3.57108
-36	131	-3.24624
-35	131	-2.86537
-34	131	-2.43675
-33	131	-2.01425
-32	131	-1.58115
-31	131	-1.18815
-30	131	-0.826587
-29	131	-0.529004
-28	131	-0.286838
-27	131	-0.0529228
-26	131	0.168746
-25	131	0.328889
-24	131	0.442897
-23	131	0.540315
-22	131	0.632732
-21	131	0.734412
-20	131	0.841969
-19	131	0.93338
-18	131	0.951062
-17	131	1.0112
-16	131	1.05992
-15	131	1.09831
-14	131	1.17382
-13	131	1.22723
-12	131	1.2842
-11	131	1.32541
-10	131	1.35167
-9	131	1.39597
-8	131	1.44783
-7	131	1.51345
-6	131	1.48992
-5	131	1.52108
-4	131	1.57106
-3	131	1.59583
-2	131	1.62061
-1	131	1.61827
0	131	1.62397
1	131	1.6237
2	131	1.61056
3	131	1.58619
4	131	1.55152
5	131	1.49678
6	131	1.50949
7	131	1.56527
8	131	1.57897
9	131	1.54712
10	131	1.44075
11	131	1.28837
12	131	1.1106
13	131	0.972246
14	131	0.82907
15	131	0.693251
16	131	0.484263
17	131	0.266112
18	131	-0.021452
19	131	-0.257825
20	131	-0.37266
21	131	-0.494153
22	131	-0.629806
23	131	-0.779291
24	131	-0.92005
25	131	-1.02831
26	131	-1.07651
27	131	-1.04886

28	131	-0.95786
29	131	-0.829591
30	131	-0.686184
31	131	-0.514959
32	131	-0.29788
33	131	-0.130652
34	131	0.0328204
35	131	0.145522
36	131	0.222747
37	131	0.264758
38	131	0.223417
39	131	0.105941
40	131	-0.116984
41	131	-0.409054
42	131	-0.762761
43	131	-1.18437
44	131	-1.68378
45	131	-2.27969
46	131	-2.90183
47	131	-3.51713
48	131	-4.0351
49	131	-4.38159
50	131	-4.47908
51	131	-4.30838
52	131	-3.91334
53	131	-3.39949
54	131	-2.82852
55	131	-2.30584
56	131	-1.86003
57	131	-1.5552
58	131	-1.3779
59	131	-1.31132
60	131	-1.44578
61	131	-1.75303
62	131	-2.24369
63	131	-2.92727
64	131	-3.8601
65	131	-5.0206
66	131	-6.3956
67	131	-7.87993
68	131	-9.1883
69	131	-9.4559
70	131	-8.81275
71	131	-7.62828
72	131	-6.36426
73	131	-5.25198
74	131	-4.36065
75	131	-3.78533
76	131	-3.43261
77	131	-3.30336
78	131	-3.44105
79	131	-3.92198
80	131	-4.73
81	131	-5.89865
82	131	-7.50157
83	131	-9.68096
84	131	-12.5831
85	131	-15.538
86	131	-15.5738
87	131	-12.8318
88	131	-10.0278
89	131	-7.99566
90	131	-6.54684
91	131	-5.58111
92	131	-4.97189
93	131	-4.66518
94	131	-4.69766
95	131	-4.93834
96	131	-5.33786
97	131	-6.36185
98	131	-7.90511
99	131	-10.1357
100	131	-13.3612
101	131	-19.1801
102	131	-16.6703
103	131	-12.4313
104	131	-9.3242
105	131	-7.22199
106	131	-5.7763
107	131	-4.79793
108	131	-4.12281
109	131	-3.77239
110	131	-3.60415
111	131	-3.69138
112	131	-3.9983
113	131	-4.5326
114	131	-5.26121
115	131	-6.12246
116	131	-7.06603
117	131	-7.9577
118	131	-8.54553
119	131	-8.51157
120	131	-7.87837
121	131	-6.83784
122	131	-5.6644

123	131	-4.55939
124	131	-3.60477
125	131	-2.89982
126	131	-2.23266
127	131	-1.8304
128	131	-1.50428
129	131	-1.3145
130	131	-1.21406
131	131	-1.25963
132	131	-1.40192
133	131	-1.63375
134	131	-1.96217
135	131	-2.33956
136	131	-2.73749
137	131	-3.08719
138	131	-3.44539
139	131	-3.71287
140	131	-3.90753
141	131	-3.96302
142	131	-3.85081
143	131	-3.55264
144	131	-3.21223
145	131	-2.82048
146	131	-2.39702
147	131	-1.96546
148	131	-1.55879
149	131	-1.16583
150	131	-0.817684
151	131	-0.537676
152	131	-0.286905
153	131	-0.04802
154	131	0.202545
155	131	0.359241
156	131	0.499029
157	131	0.593191
158	131	0.691695
159	131	0.796332
160	131	0.899257
161	131	0.996371
162	131	1.03799
163	131	1.11649
164	131	1.18506
165	131	1.25528
166	131	1.31397
167	131	1.35702
168	131	1.40117
169	131	1.44754
170	131	1.47688
171	131	1.50883
172	131	1.53148
173	131	1.60443
174	131	1.57881
175	131	1.62013
176	131	1.64455
177	131	1.67092
178	131	1.68534
179	131	1.69704
180	131	1.68613
-180	132	1.50543
-179	132	1.49006
-178	132	1.4475
-177	132	1.40678
-176	132	1.3599
-175	132	1.30108
-174	132	1.27239
-173	132	1.2615
-172	132	1.25833
-171	132	1.20333
-170	132	1.09379
-169	132	0.933253
-168	132	0.760451
-167	132	0.582787
-166	132	0.422917
-165	132	0.230029
-164	132	0.029296
-163	132	-0.176769
-162	132	-0.400117
-161	132	-0.614804
-160	132	-0.712561
-159	132	-0.816967
-158	132	-0.872272
-157	132	-0.929033
-156	132	-0.957099
-155	132	-0.939737
-154	132	-0.882648
-153	132	-0.77165
-152	132	-0.623399
-151	132	-0.437242
-150	132	-0.245098
-149	132	-0.048573
-148	132	0.136141
-147	132	0.273754
-146	132	0.38628
-145	132	0.434729
-144	132	0.438627

-143	132	0.3871
-142	132	0.263928
-141	132	0.0717282
-140	132	-0.201632
-139	132	-0.549266
-138	132	-1.00043
-137	132	-1.53348
-136	132	-2.1246
-135	132	-2.76211
-134	132	-3.40103
-133	132	-3.99827
-132	132	-4.46417
-131	132	-4.64946
-130	132	-4.54133
-129	132	-4.18647
-128	132	-3.66722
-127	132	-3.07487
-126	132	-2.48329
-125	132	-2.01702
-124	132	-1.60117
-123	132	-1.34663
-122	132	-1.23442
-121	132	-1.26771
-120	132	-1.45069
-119	132	-1.81248
-118	132	-2.37623
-117	132	-3.13893
-116	132	-4.14655
-115	132	-5.3576
-114	132	-6.75391
-113	132	-8.16904
-112	132	-9.14577
-111	132	-9.23206
-110	132	-8.44818
-109	132	-7.20549
-108	132	-5.99633
-107	132	-4.81807
-106	132	-4.05792
-105	132	-3.55997
-104	132	-3.27556
-103	132	-3.23714
-102	132	-3.46253
-101	132	-4.05161
-100	132	-4.95752
-99	132	-6.25128
-98	132	-8.11628
-97	132	-10.688
-96	132	-14.2151
-95	132	-17.5044
-94	132	-15.8459
-93	132	-12.1664
-92	132	-9.13859
-91	132	-7.62654
-90	132	-6.15936
-89	132	-5.20562
-88	132	-4.60805
-87	132	-4.30774
-86	132	-4.30808
-85	132	-4.6372
-84	132	-5.28104
-83	132	-6.30274
-82	132	-7.78332
-81	132	-9.83486
-80	132	-12.7323
-79	132	-15.9958
-78	132	-15.4921
-77	132	-11.7408
-76	132	-9.05882
-75	132	-7.07919
-74	132	-5.649
-73	132	-4.65915
-72	132	-3.96098
-71	132	-3.54967
-70	132	-3.32031
-69	132	-3.34974
-68	132	-3.57766
-67	132	-4.03434
-66	132	-4.69164
-65	132	-5.54006
-64	132	-6.55904
-63	132	-7.59306
-62	132	-8.55966
-61	132	-8.96984
-60	132	-8.63593
-59	132	-7.51949
-58	132	-6.33571
-57	132	-5.1069
-56	132	-4.06218
-55	132	-3.23156
-54	132	-2.47454
-53	132	-2.01217
-52	132	-1.60121
-51	132	-1.32789
-50	132	-1.19884
-49	132	-1.15143

-48	132	-1.21231
-47	132	-1.4064
-46	132	-1.69805
-45	132	-2.06083
-44	132	-2.42456
-43	132	-2.80746
-42	132	-3.22097
-41	132	-3.62443
-40	132	-3.96007
-39	132	-4.18186
-38	132	-4.19802
-37	132	-4.09372
-36	132	-3.92533
-35	132	-3.65139
-34	132	-3.2549
-33	132	-2.84837
-32	132	-2.43803
-31	132	-2.02534
-30	132	-1.63609
-29	132	-1.34088
-28	132	-1.08437
-27	132	-0.796715
-26	132	-0.490269
-25	132	-0.259473
-24	132	-0.086364
-23	132	0.0635958
-22	132	0.214804
-21	132	0.348302
-20	132	0.506386
-19	132	0.620381
-18	132	0.650696
-17	132	0.772661
-16	132	0.861264
-15	132	0.933224
-14	132	0.969357
-13	132	1.01267
-12	132	1.0845
-11	132	1.15424
-10	132	1.19151
-9	132	1.24268
-8	132	1.32678
-7	132	1.30759
-6	132	1.32417
-5	132	1.36853
-4	132	1.38519
-3	132	1.42303
-2	132	1.43716
-1	132	1.43496
0	132	1.42203
1	132	1.40542
2	132	1.35005
3	132	1.32683
4	132	1.28327
5	132	1.21966
6	132	1.18514
7	132	1.18521
8	132	1.21986
9	132	1.20916
10	132	1.10543
11	132	0.926422
12	132	0.710014
13	132	0.501285
14	132	0.330031
15	132	0.171816
16	132	-0.0161517
17	132	-0.204788
18	132	-0.448435
19	132	-0.724639
20	132	-0.8621
21	132	-0.990883
22	132	-1.0613
23	132	-1.14077
24	132	-1.19215
25	132	-1.22496
26	132	-1.20366
27	132	-1.12198
28	132	-0.962676
29	132	-0.788704
30	132	-0.602723
31	132	-0.408354
32	132	-0.210784
33	132	-0.0697576
34	132	0.0445464
35	132	0.123077
36	132	0.15369
37	132	0.143563
38	132	0.0649377
39	132	-0.0919616
40	132	-0.360174
41	132	-0.721087
42	132	-1.14257
43	132	-1.63219
44	132	-2.19649
45	132	-2.82687
46	132	-3.4691

47	132	-4.07264
48	132	-4.52529
49	132	-4.7554
50	132	-4.71173
51	132	-4.40582
52	132	-3.95137
53	132	-3.3438
54	132	-2.75246
55	132	-2.23211
56	132	-1.8067
57	132	-1.50409
58	132	-1.36993
59	132	-1.39571
60	132	-1.56832
61	132	-1.89024
62	132	-2.42293
63	132	-3.16265
64	132	-4.14008
65	132	-5.32153
66	132	-6.71085
67	132	-8.18281
68	132	-9.3799
69	132	-9.42694
70	132	-8.802
71	132	-7.63687
72	132	-6.35699
73	132	-5.26813
74	132	-4.45124
75	132	-3.8904
76	132	-3.55401
77	132	-3.47099
78	132	-3.63005
79	132	-4.14822
80	132	-4.96205
81	132	-6.11157
82	132	-7.70196
83	132	-9.8538
84	132	-12.6602
85	132	-15.4191
86	132	-15.4527
87	132	-12.7547
88	132	-10.0133
89	132	-8.00181
90	132	-6.57363
91	132	-5.55794
92	132	-4.91786
93	132	-4.58459
94	132	-4.58322
95	132	-4.76902
96	132	-5.07394
97	132	-6.00587
98	132	-7.3957
99	132	-9.33686
100	132	-12.1292
101	132	-16.0762
102	132	-18.0225
103	132	-13.4066
104	132	-10.1683
105	132	-7.882
106	132	-6.30495
107	132	-5.20786
108	132	-4.40892
109	132	-3.96279
110	132	-3.6723
111	132	-3.61314
112	132	-3.84136
113	132	-4.21572
114	132	-4.77604
115	132	-5.46628
116	132	-6.34007
117	132	-7.29304
118	132	-8.11874
119	132	-8.48877
120	132	-8.31181
121	132	-7.46315
122	132	-6.43078
123	132	-5.36738
124	132	-4.3152
125	132	-3.49411
126	132	-2.67177
127	132	-2.17886
128	132	-1.75959
129	132	-1.44988
130	132	-1.27086
131	132	-1.18434
132	132	-1.25482
133	132	-1.41247
134	132	-1.66339
135	132	-2.00159
136	132	-2.36528
137	132	-2.73386
138	132	-3.0862
139	132	-3.46328
140	132	-3.79714
141	132	-4.03076

142	132	-4.07994
143	132	-3.9763
144	132	-3.77236
145	132	-3.49898
146	132	-3.14934
147	132	-2.7148
148	132	-2.31096
149	132	-1.91182
150	132	-1.54852
151	132	-1.24737
152	132	-0.981446
153	132	-0.693482
154	132	-0.420518
155	132	-0.211503
156	132	-0.0181511
157	132	0.135301
158	132	0.284148
159	132	0.440321
160	132	0.589463
161	132	0.698215
162	132	0.745504
163	132	0.860934
164	132	0.964533
165	132	1.04962
166	132	1.10541
167	132	1.174
168	132	1.24635
169	132	1.30863
170	132	1.35395
171	132	1.39152
172	132	1.4692
173	132	1.46688
174	132	1.47442
175	132	1.50605
176	132	1.51419
177	132	1.53863
178	132	1.53639
179	132	1.53363
180	132	1.50543
-180	133	1.26848
-179	133	1.22724
-178	133	1.17045
-177	133	1.1288
-176	133	1.05915
-175	133	0.971375
-174	133	0.901669
-173	133	0.865723
-172	133	0.834252
-171	133	0.782978
-170	133	0.671809
-169	133	0.518435
-168	133	0.333509
-167	133	0.107452
-166	133	-0.101345
-165	133	-0.283454
-164	133	-0.482274
-163	133	-0.672212
-162	133	-0.848305
-161	133	-1.0578
-160	133	-1.13801
-159	133	-1.16983
-158	133	-1.16357
-157	133	-1.13402
-156	133	-1.07586
-155	133	-0.995612
-154	133	-0.877954
-153	133	-0.709647
-152	133	-0.536908
-151	133	-0.327586
-150	133	-0.138075
-149	133	0.046245
-148	133	0.208286
-147	133	0.329992
-146	133	0.417652
-145	133	0.417242
-144	133	0.363645
-143	133	0.263127
-142	133	0.071982
-141	133	-0.178008
-140	133	-0.515046
-139	133	-0.911912
-138	133	-1.42043
-137	133	-2.01147
-136	133	-2.64558
-135	133	-3.33548
-134	133	-3.96183
-133	133	-4.50382
-132	133	-4.83864
-131	133	-4.8317
-130	133	-4.62591
-129	133	-4.17371
-128	133	-3.60262
-127	133	-2.98235
-126	133	-2.43867
-125	133	-2.0194

-124	133	-1.6131
-123	133	-1.4204
-122	133	-1.34987
-121	133	-1.42095
-120	133	-1.64817
-119	133	-2.07084
-118	133	-2.66848
-117	133	-3.46642
-116	133	-4.46757
-115	133	-5.69588
-114	133	-7.07417
-113	133	-8.41076
-112	133	-9.20977
-111	133	-9.18429
-110	133	-8.31947
-109	133	-7.11943
-108	133	-5.95552
-107	133	-4.80239
-106	133	-4.08692
-105	133	-3.59028
-104	133	-3.30389
-103	133	-3.30716
-102	133	-3.63019
-101	133	-4.2204
-100	133	-5.15688
-99	133	-6.52697
-98	133	-8.4381
-97	133	-11.0372
-96	133	-14.5768
-95	133	-17.7052
-94	133	-15.803
-93	133	-12.1764
-92	133	-9.40467
-91	133	-7.67249
-90	133	-6.19165
-89	133	-5.15339
-88	133	-4.51696
-87	133	-4.19524
-86	133	-4.19224
-85	133	-4.46151
-84	133	-5.01572
-83	133	-5.92119
-82	133	-7.25656
-81	133	-9.0438
-80	133	-11.5553
-79	133	-14.7827
-78	133	-16.9479
-77	133	-12.362
-76	133	-9.91924
-75	133	-7.82298
-74	133	-6.26348
-73	133	-5.10377
-72	133	-4.32444
-71	133	-3.77114
-70	133	-3.46279
-69	133	-3.38536
-68	133	-3.4995
-67	133	-3.79704
-66	133	-4.35281
-65	133	-5.0913
-64	133	-5.99654
-63	133	-6.98223
-62	133	-7.93046
-61	133	-8.76005
-60	133	-8.99609
-59	133	-8.38319
-58	133	-7.22736
-57	133	-6.05681
-56	133	-4.97953
-55	133	-3.97661
-54	133	-3.17587
-53	133	-2.48052
-52	133	-2.01624
-51	133	-1.65667
-50	133	-1.44101
-49	133	-1.28721
-48	133	-1.30178
-47	133	-1.39571
-46	133	-1.56833
-45	133	-1.81538
-44	133	-2.12957
-43	133	-2.49569
-42	133	-2.86623
-41	133	-3.28502
-40	133	-3.70204
-39	133	-4.03965
-38	133	-4.23292
-37	133	-4.34508
-36	133	-4.34646
-35	133	-4.23939
-34	133	-3.95372
-33	133	-3.6314
-32	133	-3.28321
-31	133	-2.87591
-30	133	-2.44504

-29	133	-2.12858
-28	133	-1.83784
-27	133	-1.50536
-26	133	-1.17446
-25	133	-0.898727
-24	133	-0.69596
-23	133	-0.510289
-22	133	-0.326134
-21	133	-0.158546
-20	133	0.037004
-19	133	0.181853
-18	133	0.268336
-17	133	0.445868
-16	133	0.551874
-15	133	0.644693
-14	133	0.716059
-13	133	0.791065
-12	133	0.858631
-11	133	0.922383
-10	133	0.990192
-9	133	1.08332
-8	133	1.13504
-7	133	1.11078
-6	133	1.13754
-5	133	1.1457
-4	133	1.17559
-3	133	1.17664
-2	133	1.17089
-1	133	1.16563
0	133	1.13057
1	133	1.08227
2	133	1.06406
3	133	1.00443
4	133	0.959997
5	133	0.872004
6	133	0.791275
7	133	0.753637
8	133	0.743416
9	133	0.726667
10	133	0.651876
11	133	0.493706
12	133	0.277931
13	133	0.0301642
14	133	-0.201877
15	133	-0.379761
16	133	-0.573831
17	133	-0.730159
18	133	-0.908059
19	133	-1.17478
20	133	-1.31386
21	133	-1.41028
22	133	-1.4406
23	133	-1.40205
24	133	-1.32926
25	133	-1.25489
26	133	-1.1707
27	133	-1.05375
28	133	-0.889163
29	133	-0.689696
30	133	-0.502665
31	133	-0.314752
32	133	-0.149039
33	133	-0.0201561
34	133	0.0634516
35	133	0.0995117
36	133	0.0942693
37	133	0.0241334
38	133	-0.126143
39	133	-0.337087
40	133	-0.642633
41	133	-1.07945
42	133	-1.55923
43	133	-2.12456
44	133	-2.72836
45	133	-3.39523
46	133	-4.05255
47	133	-4.63245
48	133	-4.99801
49	133	-5.11134
50	133	-4.90477
51	133	-4.47001
52	133	-3.90216
53	133	-3.28448
54	133	-2.70912
55	133	-2.2202
56	133	-1.82242
57	133	-1.57917
58	133	-1.50071
59	133	-1.55572
60	133	-1.7432
61	133	-2.12738
62	133	-2.69993
63	133	-3.47386
64	133	-4.46568
65	133	-5.67061

66	133	-7.05278
67	133	-8.48083
68	133	-9.46618
69	133	-9.50013
70	133	-8.71343
71	133	-7.54694
72	133	-6.28029
73	133	-5.26225
74	133	-4.52194
75	133	-3.9823
76	133	-3.64176
77	133	-3.56384
78	133	-3.84116
79	133	-4.35701
80	133	-5.17388
81	133	-6.32634
82	133	-7.93657
83	133	-10.1362
84	133	-12.9772
85	133	-15.8159
86	133	-15.7335
87	133	-12.8873
88	133	-10.1427
89	133	-8.11985
90	133	-6.64171
91	133	-5.59222
92	133	-4.91533
93	133	-4.55122
94	133	-4.49892
95	133	-4.66772
96	133	-4.82583
97	133	-5.64404
98	133	-6.88712
99	133	-8.61342
100	133	-11.11
101	133	-14.7244
102	133	-19.9434
103	133	-13.8971
104	133	-10.9211
105	133	-8.56986
106	133	-6.81183
107	133	-5.5315
108	133	-4.64601
109	133	-4.02381
110	133	-3.703
111	133	-3.55844
112	133	-3.6245
113	133	-3.88008
114	133	-4.3056
115	133	-4.88713
116	133	-5.69033
117	133	-6.62827
118	133	-7.53014
119	133	-8.16194
120	133	-8.40002
121	133	-8.04952
122	133	-7.12783
123	133	-6.16982
124	133	-5.19238
125	133	-4.21247
126	133	-3.35346
127	133	-2.68397
128	133	-2.24034
129	133	-1.81091
130	133	-1.53756
131	133	-1.38976
132	133	-1.33599
133	133	-1.40841
134	133	-1.57869
135	133	-1.8013
136	133	-2.09572
137	133	-2.41961
138	133	-2.76646
139	133	-3.15111
140	133	-3.56664
141	133	-3.87959
142	133	-4.08082
143	133	-4.15508
144	133	-4.13067
145	133	-4.02674
146	133	-3.79913
147	133	-3.47841
148	133	-3.13771
149	133	-2.73562
150	133	-2.36643
151	133	-2.04351
152	133	-1.73698
153	133	-1.41288
154	133	-1.09133
155	133	-0.834548
156	133	-0.610503
157	133	-0.418576
158	133	-0.225824
159	133	-0.0170729
160	133	0.165335

161	133	0.295696
162	133	0.376423
163	133	0.550333
164	133	0.682395
165	133	0.77154
166	133	0.827863
167	133	0.899891
168	133	0.989374
169	133	1.06317
170	133	1.13108
171	133	1.20052
172	133	1.24438
173	133	1.25266
174	133	1.29548
175	133	1.31442
176	133	1.31902
177	133	1.32261
178	133	1.31408
179	133	1.28679
180	133	1.26848
-180	134	0.92659
-179	134	0.870714
-178	134	0.804804
-177	134	0.732241
-176	134	0.658351
-175	134	0.552657
-174	134	0.474993
-173	134	0.391039
-172	134	0.319374
-171	134	0.257868
-170	134	0.146356
-169	134	-0.00415684
-168	134	-0.192498
-167	134	-0.426495
-166	134	-0.656172
-165	134	-0.815318
-164	134	-0.98017
-163	134	-1.17093
-162	134	-1.32458
-161	134	-1.42346
-160	134	-1.48329
-159	134	-1.444
-158	134	-1.3752
-157	134	-1.26057
-156	134	-1.12067
-155	134	-0.96373
-154	134	-0.793775
-153	134	-0.60281
-152	134	-0.407319
-151	134	-0.212662
-150	134	-0.0279829
-149	134	0.15649
-148	134	0.274882
-147	134	0.358534
-146	134	0.375016
-145	134	0.332168
-144	134	0.234911
-143	134	0.0738488
-142	134	-0.138439
-141	134	-0.453234
-140	134	-0.841157
-139	134	-1.31604
-138	134	-1.8696
-137	134	-2.50582
-136	134	-3.16206
-135	134	-3.83864
-134	134	-4.4269
-133	134	-4.87903
-132	134	-5.07961
-131	134	-4.96278
-130	134	-4.5903
-129	134	-4.07175
-128	134	-3.46713
-127	134	-2.87802
-126	134	-2.39612
-125	134	-1.99056
-124	134	-1.64688
-123	134	-1.52239
-122	134	-1.49727
-121	134	-1.62083
-120	134	-1.90423
-119	134	-2.3709
-118	134	-3.0108
-117	134	-3.82904
-116	134	-4.90044
-115	134	-6.18847
-114	134	-7.57948
-113	134	-8.7981
-112	134	-9.40741
-111	134	-9.07045
-110	134	-8.01579
-109	134	-6.79967
-108	134	-5.67672
-107	134	-4.62437
-106	134	-4.02978

-105	134	-3.60567
-104	134	-3.40124
-103	134	-3.43842
-102	134	-3.78405
-101	134	-4.39225
-100	134	-5.31168
-99	134	-6.72098
-98	134	-8.6382
-97	134	-11.3101
-96	134	-14.9619
-95	134	-18.2457
-94	134	-16.0505
-93	134	-12.3092
-92	134	-9.49086
-91	134	-7.73264
-90	134	-6.22901
-89	134	-5.20098
-88	134	-4.53952
-87	134	-4.15544
-86	134	-4.07008
-85	134	-4.26237
-84	134	-4.74267
-83	134	-5.54078
-82	134	-6.72133
-81	134	-8.33062
-80	134	-10.6172
-79	134	-13.573
-78	134	-16.7793
-77	134	-15.1734
-76	134	-11.0379
-75	134	-8.7686
-74	134	-6.99806
-73	134	-5.68255
-72	134	-4.75952
-71	134	-4.11861
-70	134	-3.68725
-69	134	-3.49721
-68	134	-3.51174
-67	134	-3.71159
-66	134	-4.10456
-65	134	-4.71817
-64	134	-5.48633
-63	134	-6.35533
-62	134	-7.33875
-61	134	-8.26733
-60	134	-9.00315
-59	134	-9.02974
-58	134	-8.19655
-57	134	-7.06747
-56	134	-5.95798
-55	134	-4.90304
-54	134	-3.9121
-53	134	-3.00155
-52	134	-2.47915
-51	134	-2.04231
-50	134	-1.75342
-49	134	-1.47734
-48	134	-1.39136
-47	134	-1.3481
-46	134	-1.41816
-45	134	-1.59496
-44	134	-1.83478
-43	134	-2.14316
-42	134	-2.51372
-41	134	-2.91978
-40	134	-3.34169
-39	134	-3.70172
-38	134	-4.01228
-37	134	-4.21731
-36	134	-4.40372
-35	134	-4.50344
-34	134	-4.41125
-33	134	-4.23178
-32	134	-3.96803
-31	134	-3.62014
-30	134	-3.23498
-29	134	-2.91796
-28	134	-2.62281
-27	134	-2.29219
-26	134	-1.95376
-25	134	-1.6354
-24	134	-1.38515
-23	134	-1.14999
-22	134	-0.908253
-21	134	-0.668315
-20	134	-0.446844
-19	134	-0.318668
-18	134	-0.180989
-17	134	0.0394392
-16	134	0.182608
-15	134	0.26582
-14	134	0.372059
-13	134	0.464412
-12	134	0.554333
-11	134	0.625431

-10	134	0.69276
-9	134	0.821629
-8	134	0.805941
-7	134	0.847755
-6	134	0.860568
-5	134	0.877957
-4	134	0.87812
-3	134	0.871189
-2	134	0.845653
-1	134	0.826239
0	134	0.775553
1	134	0.729425
2	134	0.656724
3	134	0.573988
4	134	0.52428
5	134	0.433353
6	134	0.331145
7	134	0.252789
8	134	0.200446
9	134	0.166301
10	134	0.0932561
11	134	-0.0559152
12	134	-0.265614
13	134	-0.504287
14	134	-0.780412
15	134	-0.949991
16	134	-1.12459
17	134	-1.26395
18	134	-1.35467
19	134	-1.53697
20	134	-1.60449
21	134	-1.64377
22	134	-1.63898
23	134	-1.54293
24	134	-1.39501
25	134	-1.22202
26	134	-1.06612
27	134	-0.88864
28	134	-0.700626
29	134	-0.513618
30	134	-0.327712
31	134	-0.155708
32	134	-0.0250337
33	134	0.0827755
34	134	0.109926
35	134	0.0975801
36	134	0.0310331
37	134	-0.0889714
38	134	-0.30257
39	134	-0.594769
40	134	-0.963096
41	134	-1.42991
42	134	-1.97922
43	134	-2.59038
44	134	-3.25053
45	134	-3.94149
46	134	-4.57123
47	134	-5.09556
48	134	-5.35062
49	134	-5.28043
50	134	-4.92929
51	134	-4.40166
52	134	-3.77261
53	134	-3.18635
54	134	-2.6474
55	134	-2.17209
56	134	-1.85442
57	134	-1.66919
58	134	-1.63036
59	134	-1.69862
60	134	-1.95721
61	134	-2.38245
62	134	-2.991
63	134	-3.81263
64	134	-4.83039
65	134	-6.07136
66	134	-7.44331
67	134	-8.75009
68	134	-9.54065
69	134	-9.37265
70	134	-8.42163
71	134	-7.21325
72	134	-6.08414
73	134	-5.14278
74	134	-4.43345
75	134	-3.9452
76	134	-3.66743
77	134	-3.61519
78	134	-3.91526
79	134	-4.4501
80	134	-5.28332
81	134	-6.45242
82	134	-8.07973
83	134	-10.308
84	134	-13.2282

85	134	-16.2276
86	134	-16.1221
87	134	-13.1526
88	134	-10.3545
89	134	-8.25326
90	134	-6.7192
91	134	-5.64705
92	134	-4.94391
93	134	-4.54568
94	134	-4.45103
95	134	-4.6445
96	134	-4.66472
97	134	-5.39085
98	134	-6.53076
99	134	-8.0843
100	134	-10.3499
101	134	-13.567
102	134	-17.7881
103	134	-16.9562
104	134	-11.9214
105	134	-9.34702
106	134	-7.39663
107	134	-5.95777
108	134	-4.97826
109	134	-4.26585
110	134	-3.7996
111	134	-3.58641
112	134	-3.52015
113	134	-3.63462
114	134	-3.94838
115	134	-4.45519
116	134	-5.15847
117	134	-6.02381
118	134	-6.94107
119	134	-7.7783
120	134	-8.35586
121	134	-8.46027
122	134	-7.93891
123	134	-7.077
124	134	-6.1611
125	134	-5.13607
126	134	-4.1542
127	134	-3.24778
128	134	-2.69915
129	134	-2.21782
130	134	-1.8401
131	134	-1.59544
132	134	-1.44988
133	134	-1.39857
134	134	-1.45336
135	134	-1.60706
136	134	-1.79964
137	134	-2.06364
138	134	-2.37285
139	134	-2.72673
140	134	-3.1327
141	134	-3.5519
142	134	-3.84064
143	134	-4.04393
144	134	-4.16961
145	134	-4.20796
146	134	-4.14469
147	134	-3.99593
148	134	-3.75395
149	134	-3.43521
150	134	-3.13442
151	134	-2.81156
152	134	-2.5409
153	134	-2.21079
154	134	-1.88413
155	134	-1.57592
156	134	-1.33669
157	134	-1.09487
158	134	-0.853442
159	134	-0.628349
160	134	-0.39702
161	134	-0.255361
162	134	-0.113491
163	134	0.109522
164	134	0.258618
165	134	0.367657
166	134	0.462918
167	134	0.547377
168	134	0.631211
169	134	0.711453
170	134	0.795049
171	134	0.914593
172	134	0.90702
173	134	0.966631
174	134	1.00831
175	134	1.02467
176	134	1.03304
177	134	1.00129
178	134	1.0046
179	134	0.974383

180	134	0.92659
-180	135	0.457042
-179	135	0.394261
-178	135	0.321682
-177	135	0.225228
-176	135	0.117448
-175	135	0.0149093
-174	135	-0.101583
-173	135	-0.205242
-172	135	-0.284384
-171	135	-0.337949
-170	135	-0.424926
-169	135	-0.581193
-168	135	-0.753668
-167	135	-0.957281
-166	135	-1.1794
-165	135	-1.34128
-164	135	-1.46295
-163	135	-1.57821
-162	135	-1.62286
-161	135	-1.68612
-160	135	-1.69144
-159	135	-1.5745
-158	135	-1.4393
-157	135	-1.26788
-156	135	-1.06686
-155	135	-0.856944
-154	135	-0.642735
-153	135	-0.443387
-152	135	-0.263145
-151	135	-0.0876597
-150	135	0.0552087
-149	135	0.185896
-148	135	0.285154
-147	135	0.32365
-146	135	0.295921
-145	135	0.218958
-144	135	0.0737217
-143	135	-0.150894
-142	135	-0.448313
-141	135	-0.808988
-140	135	-1.24835
-139	135	-1.79123
-138	135	-2.371
-137	135	-3.02269
-136	135	-3.70175
-135	135	-4.31469
-134	135	-4.82787
-133	135	-5.14391
-132	135	-5.16047
-131	135	-4.90463
-130	135	-4.45113
-129	135	-3.8793
-128	135	-3.27587
-127	135	-2.74003
-126	135	-2.30925
-125	135	-1.93313
-124	135	-1.70865
-123	135	-1.61893
-122	135	-1.67481
-121	135	-1.86768
-120	135	-2.21279
-119	135	-2.71965
-118	135	-3.39365
-117	135	-4.3224
-116	135	-5.45252
-115	135	-6.73331
-114	135	-8.08577
-113	135	-9.12097
-112	135	-9.48763
-111	135	-8.89354
-110	135	-7.76339
-109	135	-6.58841
-108	135	-5.34664
-107	135	-4.53693
-106	135	-3.94125
-105	135	-3.5173
-104	135	-3.33543
-103	135	-3.45334
-102	135	-3.83975
-101	135	-4.48781
-100	135	-5.48151
-99	135	-6.88938
-98	135	-8.86032
-97	135	-11.5675
-96	135	-15.3805
-95	135	-19.2549
-94	135	-16.8486
-93	135	-12.7054
-92	135	-9.72095
-91	135	-8.12681
-90	135	-6.38679
-89	135	-5.28523
-88	135	-4.57332
-87	135	-4.14789

-86	135	-4.04006
-85	135	-4.17803
-84	135	-4.58938
-83	135	-5.28783
-82	135	-6.31424
-81	135	-7.74421
-80	135	-9.76511
-79	135	-12.4125
-78	135	-15.7081
-77	135	-18.1721
-76	135	-12.5522
-75	135	-10.0185
-74	135	-7.96072
-73	135	-6.43771
-72	135	-5.27846
-71	135	-4.52564
-70	135	-3.96215
-69	135	-3.67288
-68	135	-3.59557
-67	135	-3.66698
-66	135	-3.9384
-65	135	-4.38302
-64	135	-5.00626
-63	135	-5.79126
-62	135	-6.73415
-61	135	-7.79484
-60	135	-8.75152
-59	135	-9.28504
-58	135	-9.03761
-57	135	-8.08086
-56	135	-6.94521
-55	135	-5.83679
-54	135	-4.80441
-53	135	-3.82686
-52	135	-3.0633
-51	135	-2.60736
-50	135	-2.16257
-49	135	-1.83124
-48	135	-1.5808
-47	135	-1.43054
-46	135	-1.39369
-45	135	-1.46185
-44	135	-1.59099
-43	135	-1.79282
-42	135	-2.08337
-41	135	-2.43601
-40	135	-2.82287
-39	135	-3.1943
-38	135	-3.52728
-37	135	-3.81981
-36	135	-4.12574
-35	135	-4.38676
-34	135	-4.4988
-33	135	-4.46354
-32	135	-4.34723
-31	135	-4.14777
-30	135	-3.88955
-29	135	-3.65361
-28	135	-3.38454
-27	135	-3.08269
-26	135	-2.75995
-25	135	-2.44649
-24	135	-2.15181
-23	135	-1.88975
-22	135	-1.62211
-21	135	-1.34426
-20	135	-1.0847
-19	135	-0.948944
-18	135	-0.7411
-17	135	-0.509607
-16	135	-0.349319
-15	135	-0.21877
-14	135	-0.127313
-13	135	0.0161332
-12	135	0.131553
-11	135	0.200918
-10	135	0.318205
-9	135	0.334895
-8	135	0.370553
-7	135	0.444157
-6	135	0.474163
-5	135	0.480346
-4	135	0.464494
-3	135	0.449983
-2	135	0.437052
-1	135	0.383644
0	135	0.328627
1	135	0.267076
2	135	0.181298
3	135	0.0888585
4	135	0.00404852
5	135	-0.0886845
6	135	-0.21577
7	135	-0.325206
8	135	-0.42139

9	135	-0.481341
10	135	-0.553543
11	135	-0.672382
12	135	-0.841909
13	135	-1.05137
14	135	-1.28882
15	135	-1.46423
16	135	-1.61745
17	135	-1.71788
18	135	-1.74845
19	135	-1.80879
20	135	-1.82167
21	135	-1.7278
22	135	-1.65824
23	135	-1.5337
24	135	-1.34463
25	135	-1.12169
26	135	-0.894229
27	135	-0.688087
28	135	-0.496494
29	135	-0.324666
30	135	-0.16853
31	135	-0.0428919
32	135	0.0544758
33	135	0.10176
34	135	0.0966778
35	135	0.0276796
36	135	-0.100014
37	135	-0.27589
38	135	-0.530642
39	135	-0.894323
40	135	-1.33896
41	135	-1.85136
42	135	-2.42733
43	135	-3.12051
44	135	-3.80254
45	135	-4.46457
46	135	-5.0301
47	135	-5.41502
48	135	-5.50735
49	135	-5.28479
50	135	-4.84861
51	135	-4.28599
52	135	-3.68567
53	135	-3.08707
54	135	-2.58193
55	135	-2.18903
56	135	-1.89825
57	135	-1.77233
58	135	-1.76484
59	135	-1.92801
60	135	-2.23071
61	135	-2.70611
62	135	-3.36989
63	135	-4.25772
64	135	-5.31824
65	135	-6.54871
66	135	-7.92951
67	135	-9.04451
68	135	-9.5565
69	135	-9.1361
70	135	-8.14303
71	135	-6.98967
72	135	-5.87458
73	135	-5.00007
74	135	-4.32998
75	135	-3.83525
76	135	-3.5699
77	135	-3.62546
78	135	-3.94621
79	135	-4.49125
80	135	-5.33941
81	135	-6.52896
82	135	-8.2034
83	135	-10.4745
84	135	-13.5256
85	135	-16.9183
86	135	-17.1294
87	135	-13.8914
88	135	-10.8505
89	135	-8.58758
90	135	-6.96924
91	135	-5.83346
92	135	-5.06851
93	135	-4.61419
94	135	-4.47406
95	135	-4.59556
96	135	-4.54868
97	135	-5.20667
98	135	-6.20104
99	135	-7.63135
100	135	-9.63964
101	135	-12.4269
102	135	-16.3506
103	135	-20.6722

104	135	-13.607
105	135	-10.642
106	135	-8.29911
107	135	-6.67157
108	135	-5.46378
109	135	-4.63009
110	135	-4.07443
111	135	-3.69871
112	135	-3.54734
113	135	-3.53354
114	135	-3.77878
115	135	-4.19507
116	135	-4.78368
117	135	-5.55962
118	135	-6.47968
119	135	-7.34622
120	135	-8.10258
121	135	-8.53015
122	135	-8.56344
123	135	-8.06145
124	135	-7.15095
125	135	-6.18358
126	135	-5.15698
127	135	-4.14156
128	135	-3.33607
129	135	-2.81471
130	135	-2.30897
131	135	-1.94104
132	135	-1.66351
133	135	-1.50397
134	135	-1.42564
135	135	-1.47814
136	135	-1.58265
137	135	-1.74829
138	135	-1.97442
139	135	-2.28816
140	135	-2.61642
141	135	-2.99432
142	135	-3.32658
143	135	-3.60454
144	135	-3.8846
145	135	-4.0957
146	135	-4.19906
147	135	-4.21502
148	135	-4.14024
149	135	-3.97757
150	135	-3.74587
151	135	-3.53154
152	135	-3.25665
153	135	-3.01294
154	135	-2.70933
155	135	-2.37447
156	135	-2.11547
157	135	-1.85574
158	135	-1.58113
159	135	-1.31186
160	135	-1.05275
161	135	-0.920156
162	135	-0.727512
163	135	-0.480672
164	135	-0.332618
165	135	-0.185382
166	135	-0.0593924
167	135	0.0815139
168	135	0.207236
169	135	0.288655
170	135	0.392349
171	135	0.429009
172	135	0.459346
173	135	0.535228
174	135	0.569364
175	135	0.588991
176	135	0.580064
177	135	0.57096
178	135	0.531708
179	135	0.500901
180	135	0.457042
-180	136	-0.119377
-179	136	-0.187554
-178	136	-0.277454
-177	136	-0.365382
-176	136	-0.47238
-175	136	-0.584676
-174	136	-0.715619
-173	136	-0.847092
-172	136	-0.9528
-171	136	-1.04944
-170	136	-1.11905
-169	136	-1.22688
-168	136	-1.34396
-167	136	-1.51055
-166	136	-1.67317
-165	136	-1.80464
-164	136	-1.86042
-163	136	-1.89453

-162	136	-1.85339
-161	136	-1.78484
-160	136	-1.72587
-159	136	-1.55176
-158	136	-1.3691
-157	136	-1.1753
-156	136	-0.946631
-155	136	-0.711727
-154	136	-0.483607
-153	136	-0.283299
-152	136	-0.08996
-151	136	0.0264414
-150	136	0.133586
-149	136	0.205082
-148	136	0.22284
-147	136	0.213212
-146	136	0.113704
-145	136	0.0164451
-144	136	-0.186199
-143	136	-0.44153
-142	136	-0.788867
-141	136	-1.2141
-140	136	-1.71121
-139	136	-2.28009
-138	136	-2.90499
-137	136	-3.56069
-136	136	-4.19308
-135	136	-4.75816
-134	136	-5.11575
-133	136	-5.21299
-132	136	-5.06899
-131	136	-4.69558
-130	136	-4.18647
-129	136	-3.60181
-128	136	-3.04601
-127	136	-2.57474
-126	136	-2.1403
-125	136	-1.87056
-124	136	-1.72641
-123	136	-1.70942
-122	136	-1.84352
-121	136	-2.10854
-120	136	-2.47754
-119	136	-3.07592
-118	136	-3.87427
-117	136	-4.87857
-116	136	-6.03788
-115	136	-7.38247
-114	136	-8.69401
-113	136	-9.53098
-112	136	-9.52812
-111	136	-8.68274
-110	136	-7.46911
-109	136	-6.27029
-108	136	-5.11354
-107	136	-4.35754
-106	136	-3.82651
-105	136	-3.41552
-104	136	-3.24508
-103	136	-3.39692
-102	136	-3.79363
-101	136	-4.44334
-100	136	-5.45771
-99	136	-6.84713
-98	136	-8.78551
-97	136	-11.535
-96	136	-15.5289
-95	136	-20.2909
-94	136	-17.8039
-93	136	-13.2141
-92	136	-10.0475
-91	136	-8.46484
-90	136	-6.68275
-89	136	-5.52538
-88	136	-4.77902
-87	136	-4.28981
-86	136	-4.11314
-85	136	-4.18094
-84	136	-4.49682
-83	136	-5.11178
-82	136	-6.02356
-81	136	-7.34254
-80	136	-9.18813
-79	136	-11.5623
-78	136	-14.7681
-77	136	-17.4615
-76	136	-15.3081
-75	136	-11.4546
-74	136	-8.96801
-73	136	-7.23065
-72	136	-5.94863
-71	136	-5.0579
-70	136	-4.3951
-69	136	-3.98082
-68	136	-3.76275

-67	136	-3.71254
-66	136	-3.83523
-65	136	-4.15175
-64	136	-4.65856
-63	136	-5.36579
-62	136	-6.24839
-61	136	-7.24068
-60	136	-8.27793
-59	136	-9.14649
-58	136	-9.54095
-57	136	-9.0749
-56	136	-8.09851
-55	136	-6.8581
-54	136	-5.77706
-53	136	-4.76681
-52	136	-3.76544
-51	136	-3.12818
-50	136	-2.6536
-49	136	-2.14663
-48	136	-1.80224
-47	136	-1.58114
-46	136	-1.464
-45	136	-1.40905
-44	136	-1.43969
-43	136	-1.55139
-42	136	-1.75247
-41	136	-2.02084
-40	136	-2.31689
-39	136	-2.6571
-38	136	-2.96313
-37	136	-3.28837
-36	136	-3.60567
-35	136	-3.94762
-34	136	-4.17278
-33	136	-4.2825
-32	136	-4.38127
-31	136	-4.371
-30	136	-4.28506
-29	136	-4.15157
-28	136	-3.97952
-27	136	-3.75588
-26	136	-3.49882
-25	136	-3.22354
-24	136	-2.94068
-23	136	-2.66387
-22	136	-2.38915
-21	136	-2.08412
-20	136	-1.85225
-19	136	-1.69396
-18	136	-1.43854
-17	136	-1.18627
-16	136	-1.01103
-15	136	-0.847753
-14	136	-0.72987
-13	136	-0.59945
-12	136	-0.467027
-11	136	-0.342681
-10	136	-0.253114
-9	136	-0.233396
-8	136	-0.159433
-7	136	-0.127695
-6	136	-0.110483
-5	136	-0.0617973
-4	136	-0.0620869
-3	136	-0.0930716
-2	136	-0.118509
-1	136	-0.167391
0	136	-0.235568
1	136	-0.30961
2	136	-0.406289
3	136	-0.493848
4	136	-0.597071
5	136	-0.693392
6	136	-0.817416
7	136	-0.937344
8	136	-1.05225
9	136	-1.14323
10	136	-1.1987
11	136	-1.27703
12	136	-1.39484
13	136	-1.54538
14	136	-1.72683
15	136	-1.88949
16	136	-2.0018
17	136	-2.06383
18	136	-2.0257
19	136	-1.95836
20	136	-1.88735
21	136	-1.68161
22	136	-1.53398
23	136	-1.38018
24	136	-1.18489
25	136	-0.954154
26	136	-0.711722
27	136	-0.497755

28	136	-0.315032
29	136	-0.162355
30	136	-0.0482111
31	136	0.0223178
32	136	0.0589276
33	136	0.0465229
34	136	-0.0206074
35	136	-0.168781
36	136	-0.326945
37	136	-0.55475
38	136	-0.87651
39	136	-1.27671
40	136	-1.78713
41	136	-2.35642
42	136	-2.97348
43	136	-3.65058
44	136	-4.34606
45	136	-4.94526
46	136	-5.35594
47	136	-5.57293
48	136	-5.47576
49	136	-5.1229
50	136	-4.63204
51	136	-4.04079
52	136	-3.45883
53	136	-2.92812
54	136	-2.53311
55	136	-2.18225
56	136	-1.97863
57	136	-1.88652
58	136	-2.00011
59	136	-2.19828
60	136	-2.57417
61	136	-3.10965
62	136	-3.83326
63	136	-4.76707
64	136	-5.88532
65	136	-7.20658
66	136	-8.51674
67	136	-9.4824
68	136	-9.63154
69	136	-8.98416
70	136	-7.85627
71	136	-6.68015
72	136	-5.66939
73	136	-4.83867
74	136	-4.22099
75	136	-3.75936
76	136	-3.51788
77	136	-3.62328
78	136	-3.9365
79	136	-4.52474
80	136	-5.3719
81	136	-6.56699
82	136	-8.11086
83	136	-10.4767
84	136	-13.5792
85	136	-17.3839
86	136	-18.0622
87	136	-14.5465
88	136	-11.3171
89	136	-8.96903
90	136	-7.29051
91	136	-6.09863
92	136	-5.28657
93	136	-4.81706
94	136	-4.61561
95	136	-4.67971
96	136	-4.69001
97	136	-5.09212
98	136	-5.97647
99	136	-7.2541
100	136	-9.0336
101	136	-11.5046
102	136	-15.0311
103	136	-18.8217
104	136	-16.5878
105	136	-12.031
106	136	-9.30303
107	136	-7.44199
108	136	-6.11572
109	136	-5.10157
110	136	-4.49649
111	136	-4.00497
112	136	-3.67974
113	136	-3.50857
114	136	-3.68781
115	136	-4.05494
116	136	-4.51472
117	136	-5.14237
118	136	-5.94822
119	136	-6.86108
120	136	-7.81698
121	136	-8.64228
122	136	-9.1326

123	136	-8.94736
124	136	-8.25987
125	136	-7.22275
126	136	-6.18579
127	136	-5.14022
128	136	-4.08273
129	136	-3.38478
130	136	-2.85495
131	136	-2.30944
132	136	-1.91515
133	136	-1.64511
134	136	-1.4766
135	136	-1.40464
136	136	-1.43781
137	136	-1.51983
138	136	-1.66019
139	136	-1.91841
140	136	-2.16899
141	136	-2.45916
142	136	-2.7395
143	136	-3.0431
144	136	-3.33426
145	136	-3.66557
146	136	-3.89917
147	136	-4.05703
148	136	-4.14918
149	136	-4.13113
150	136	-4.12534
151	136	-4.03543
152	136	-3.91026
153	136	-3.70481
154	136	-3.4351
155	136	-3.16291
156	136	-2.91395
157	136	-2.67833
158	136	-2.40424
159	136	-2.10197
160	136	-1.86889
161	136	-1.71426
162	136	-1.4781
163	136	-1.21506
164	136	-1.04602
165	136	-0.891809
166	136	-0.731439
167	136	-0.571118
168	136	-0.428394
169	136	-0.298197
170	136	-0.19301
171	136	-0.156549
172	136	-0.0892469
173	136	-0.0599948
174	136	-0.0560159
175	136	0.0245894
176	136	-0.00514074
177	136	0.0107945
178	136	-0.0172774
179	136	-0.0639521
180	136	-0.119377
-180	137	-0.812143
-179	137	-0.87833
-178	137	-0.963061
-177	137	-1.07288
-176	137	-1.15861
-175	137	-1.27297
-174	137	-1.38392
-173	137	-1.49578
-172	137	-1.58125
-171	137	-1.65748
-170	137	-1.69091
-169	137	-1.72484
-168	137	-1.77979
-167	137	-1.87073
-166	137	-1.94177
-165	137	-2.01004
-164	137	-2.03518
-163	137	-1.98871
-162	137	-1.90599
-161	137	-1.74986
-160	137	-1.63959
-159	137	-1.43194
-158	137	-1.20178
-157	137	-1.00376
-156	137	-0.770527
-155	137	-0.566627
-154	137	-0.364858
-153	137	-0.180429
-152	137	-0.0442066
-151	137	0.0508153
-150	137	0.120409
-149	137	0.143657
-148	137	0.0730397
-147	137	-0.0161195
-146	137	-0.131765
-145	137	-0.324229
-144	137	-0.570058

-143	137	-0.890201
-142	137	-1.28943
-141	137	-1.75963
-140	137	-2.30687
-139	137	-2.90994
-138	137	-3.56762
-137	137	-4.16295
-136	137	-4.74528
-135	137	-5.17422
-134	137	-5.32287
-133	137	-5.21177
-132	137	-4.87219
-131	137	-4.37464
-130	137	-3.80672
-129	137	-3.22225
-128	137	-2.71655
-127	137	-2.30514
-126	137	-1.95459
-125	137	-1.76924
-124	137	-1.70188
-123	137	-1.76912
-122	137	-1.97932
-121	137	-2.28952
-120	137	-2.82146
-119	137	-3.49382
-118	137	-4.39176
-117	137	-5.42481
-116	137	-6.70257
-115	137	-8.11536
-114	137	-9.30332
-113	137	-9.85939
-112	137	-9.49166
-111	137	-8.3995
-110	137	-7.11743
-109	137	-5.76393
-108	137	-4.84563
-107	137	-4.11395
-106	137	-3.5677
-105	137	-3.2323
-104	137	-3.16461
-103	137	-3.32027
-102	137	-3.7036
-101	137	-4.37486
-100	137	-5.38893
-99	137	-6.78378
-98	137	-8.71198
-97	137	-11.4277
-96	137	-15.3658
-95	137	-20.4929
-94	137	-18.6954
-93	137	-13.8296
-92	137	-10.5176
-91	137	-8.92801
-90	137	-7.06351
-89	137	-5.82877
-88	137	-4.9791
-87	137	-4.4695
-86	137	-4.23257
-85	137	-4.22188
-84	137	-4.489
-83	137	-5.01264
-82	137	-5.83685
-81	137	-7.0374
-80	137	-8.62139
-79	137	-10.7596
-78	137	-13.7312
-77	137	-16.796
-76	137	-16.9288
-75	137	-12.8066
-74	137	-9.91223
-73	137	-8.09209
-72	137	-6.82992
-71	137	-5.76397
-70	137	-4.94774
-69	137	-4.36481
-68	137	-3.99861
-67	137	-3.80173
-66	137	-3.79801
-65	137	-3.99557
-64	137	-4.40387
-63	137	-4.96976
-62	137	-5.72351
-61	137	-6.65419
-60	137	-7.70239
-59	137	-8.74806
-58	137	-9.56287
-57	137	-9.60999
-56	137	-8.96871
-55	137	-7.95822
-54	137	-6.74332
-53	137	-5.71113
-52	137	-4.72404
-51	137	-3.72917
-50	137	-3.14141
-49	137	-2.57559

-48	137	-2.14529
-47	137	-1.82545
-46	137	-1.59249
-45	137	-1.44113
-44	137	-1.38782
-43	137	-1.41162
-42	137	-1.5139
-41	137	-1.69789
-40	137	-1.91145
-39	137	-2.13708
-38	137	-2.38585
-37	137	-2.70023
-36	137	-3.04902
-35	137	-3.40729
-34	137	-3.70281
-33	137	-3.94986
-32	137	-4.1176
-31	137	-4.25998
-30	137	-4.33418
-29	137	-4.36253
-28	137	-4.33047
-27	137	-4.3456
-26	137	-4.08973
-25	137	-3.90228
-24	137	-3.6779
-23	137	-3.4295
-22	137	-3.16984
-21	137	-2.89111
-20	137	-2.67976
-19	137	-2.52089
-18	137	-2.22434
-17	137	-1.96399
-16	137	-1.78933
-15	137	-1.62308
-14	137	-1.46889
-13	137	-1.30835
-12	137	-1.16468
-11	137	-1.00957
-10	137	-1.01129
-9	137	-0.915407
-8	137	-0.841523
-7	137	-0.806587
-6	137	-0.787795
-5	137	-0.759436
-4	137	-0.770974
-3	137	-0.753013
-2	137	-0.782147
-1	137	-0.837213
0	137	-0.898549
1	137	-0.967864
2	137	-1.0512
3	137	-1.14417
4	137	-1.23275
5	137	-1.31421
6	137	-1.4202
7	137	-1.52967
8	137	-1.63445
9	137	-1.72827
10	137	-1.7728
11	137	-1.81004
12	137	-1.86061
13	137	-1.95626
14	137	-2.03051
15	137	-2.11352
16	137	-2.16097
17	137	-2.14155
18	137	-2.07929
19	137	-1.94319
20	137	-1.82478
21	137	-1.59307
22	137	-1.3543
23	137	-1.14137
24	137	-0.945625
25	137	-0.742756
26	137	-0.544233
27	137	-0.342569
28	137	-0.197413
29	137	-0.0975694
30	137	-0.0133115
31	137	0.0136601
32	137	-0.00756768
33	137	-0.0867378
34	137	-0.228041
35	137	-0.432725
36	137	-0.67984
37	137	-0.966875
38	137	-1.34581
39	137	-1.79877
40	137	-2.3266
41	137	-2.95012
42	137	-3.59493
43	137	-4.26801
44	137	-4.93623
45	137	-5.41298
46	137	-5.68997

47	137	-5.70591
48	137	-5.38806
49	137	-4.90634
50	137	-4.33003
51	137	-3.71804
52	137	-3.17442
53	137	-2.73742
54	137	-2.35327
55	137	-2.06236
56	137	-1.94569
57	137	-1.96506
58	137	-2.11791
59	137	-2.42696
60	137	-2.90218
61	137	-3.53885
62	137	-4.35596
63	137	-5.35088
64	137	-6.54588
65	137	-7.88887
66	137	-9.10204
67	137	-9.80224
68	137	-9.7086
69	137	-8.82446
70	137	-7.60763
71	137	-6.43202
72	137	-5.43741
73	137	-4.6537
74	137	-4.04057
75	137	-3.62594
76	137	-3.49321
77	137	-3.59413
78	137	-3.90537
79	137	-4.46863
80	137	-5.31923
81	137	-6.5089
82	137	-8.12279
83	137	-10.3903
84	137	-13.4697
85	137	-17.4025
86	137	-18.9222
87	137	-15.3247
88	137	-11.8833
89	137	-9.40331
90	137	-7.63914
91	137	-6.37433
92	137	-5.51137
93	137	-4.98103
94	137	-4.71863
95	137	-4.72207
96	137	-4.62786
97	137	-4.98144
98	137	-5.74452
99	137	-6.86107
100	137	-8.45983
101	137	-10.6124
102	137	-13.6717
103	137	-17.4227
104	137	-18.2595
105	137	-13.633
106	137	-10.356
107	137	-8.38609
108	137	-6.99345
109	137	-5.83326
110	137	-5.00517
111	137	-4.44799
112	137	-4.00193
113	137	-3.79265
114	137	-3.80245
115	137	-3.97576
116	137	-4.33127
117	137	-4.84756
118	137	-5.52467
119	137	-6.33621
120	137	-7.32549
121	137	-8.27941
122	137	-9.1133
123	137	-9.38626
124	137	-9.00528
125	137	-8.15239
126	137	-7.10958
127	137	-6.09626
128	137	-5.08703
129	137	-4.05843
130	137	-3.4106
131	137	-2.82745
132	137	-2.30977
133	137	-1.9269
134	137	-1.63881
135	137	-1.48732
136	137	-1.38908
137	137	-1.3686
138	137	-1.40955
139	137	-1.55354
140	137	-1.7417
141	137	-1.97359

142	137	-2.1945
143	137	-2.45402
144	137	-2.76917
145	137	-3.08472
146	137	-3.37754
147	137	-3.63988
148	137	-3.83892
149	137	-4.0063
150	137	-4.13096
151	137	-4.21178
152	137	-4.22281
153	137	-4.16506
154	137	-4.01623
155	137	-3.80324
156	137	-3.62272
157	137	-3.42146
158	137	-3.17313
159	137	-2.91114
160	137	-2.69244
161	137	-2.5445
162	137	-2.2441
163	137	-2.00468
164	137	-1.82656
165	137	-1.68084
166	137	-1.52065
167	137	-1.31647
168	137	-1.17931
169	137	-1.01338
170	137	-0.965651
171	137	-0.847281
172	137	-0.769038
173	137	-0.731103
174	137	-0.701639
175	137	-0.694438
176	137	-0.677464
177	137	-0.693875
178	137	-0.714766
179	137	-0.751183
180	137	-0.812143
-180	138	-1.54368
-179	138	-1.60035
-178	138	-1.64061
-177	138	-1.72461
-176	138	-1.80667
-175	138	-1.87391
-174	138	-1.94095
-173	138	-2.01437
-172	138	-2.07675
-171	138	-2.11232
-170	138	-2.13296
-169	138	-2.10227
-168	138	-2.07764
-167	138	-2.07596
-166	138	-2.0495
-165	138	-2.02986
-164	138	-1.99431
-163	138	-1.91557
-162	138	-1.78384
-161	138	-1.58327
-160	138	-1.41825
-159	138	-1.21869
-158	138	-0.971924
-157	138	-0.765163
-156	138	-0.574306
-155	138	-0.409528
-154	138	-0.268775
-153	138	-0.138536
-152	138	-0.0378133
-151	138	0.0159603
-150	138	0.0247161
-149	138	-0.0398371
-148	138	-0.148248
-147	138	-0.307595
-146	138	-0.515803
-145	138	-0.772019
-144	138	-1.08148
-143	138	-1.46116
-142	138	-1.89539
-141	138	-2.41951
-140	138	-2.99483
-139	138	-3.6334
-138	138	-4.24625
-137	138	-4.80501
-136	138	-5.21972
-135	138	-5.42283
-134	138	-5.37198
-133	138	-5.05386
-132	138	-4.58149
-131	138	-4.02
-130	138	-3.41991
-129	138	-2.85875
-128	138	-2.4241
-127	138	-2.03719
-126	138	-1.78752
-125	138	-1.67729

-124	138	-1.6836
-123	138	-1.83246
-122	138	-2.08225
-121	138	-2.56987
-120	138	-3.14634
-119	138	-3.94385
-118	138	-4.89501
-117	138	-6.07977
-116	138	-7.53101
-115	138	-8.9091
-114	138	-9.98745
-113	138	-10.2158
-112	138	-9.46691
-111	138	-8.17741
-110	138	-6.87009
-109	138	-5.55007
-108	138	-4.6195
-107	138	-3.87832
-106	138	-3.41531
-105	138	-3.11368
-104	138	-3.07595
-103	138	-3.25689
-102	138	-3.68556
-101	138	-4.35285
-100	138	-5.36638
-99	138	-6.73728
-98	138	-8.59183
-97	138	-11.2127
-96	138	-15.0267
-95	138	-20.3809
-94	138	-19.6126
-93	138	-14.5657
-92	138	-11.0237
-91	138	-9.34132
-90	138	-7.51933
-89	138	-6.0953
-88	138	-5.23254
-87	138	-4.68515
-86	138	-4.37735
-85	138	-4.30082
-84	138	-4.50125
-83	138	-4.97865
-82	138	-5.69944
-81	138	-6.72827
-80	138	-8.17006
-79	138	-10.1396
-78	138	-12.7378
-77	138	-15.9154
-76	138	-17.8041
-75	138	-17.1386
-74	138	-13.2704
-73	138	-9.59203
-72	138	-8.06509
-71	138	-6.71301
-70	138	-5.63156
-69	138	-4.84471
-68	138	-4.30504
-67	138	-3.96844
-66	138	-3.85938
-65	138	-3.93582
-64	138	-4.20608
-63	138	-4.66765
-62	138	-5.30549
-61	138	-6.11304
-60	138	-7.07813
-59	138	-8.13909
-58	138	-9.08597
-57	138	-9.55873
-56	138	-9.39287
-55	138	-8.80126
-54	138	-7.81144
-53	138	-6.77579
-52	138	-5.71389
-51	138	-4.69657
-50	138	-3.75222
-49	138	-3.22577
-48	138	-2.68384
-47	138	-2.23304
-46	138	-1.88653
-45	138	-1.64308
-44	138	-1.47494
-43	138	-1.3881
-42	138	-1.38421
-41	138	-1.4806
-40	138	-1.61108
-39	138	-1.76128
-38	138	-1.9604
-37	138	-2.17876
-36	138	-2.45489
-35	138	-2.75297
-34	138	-3.0587
-33	138	-3.3191
-32	138	-3.56439
-31	138	-3.77925
-30	138	-3.969

-29	138	-4.14767
-28	138	-4.24324
-27	138	-4.30947
-26	138	-4.30025
-25	138	-4.22453
-24	138	-4.12575
-23	138	-3.99243
-22	138	-3.80326
-21	138	-3.58956
-20	138	-3.44833
-19	138	-3.27506
-18	138	-2.98371
-17	138	-2.76005
-16	138	-2.58532
-15	138	-2.41243
-14	138	-2.21267
-13	138	-2.09004
-12	138	-1.9
-11	138	-1.85
-10	138	-1.77043
-9	138	-1.67151
-8	138	-1.65428
-7	138	-1.56849
-6	138	-1.52795
-5	138	-1.5081
-4	138	-1.48975
-3	138	-1.49114
-2	138	-1.50673
-1	138	-1.53081
0	138	-1.58677
1	138	-1.64585
2	138	-1.72363
3	138	-1.79991
4	138	-1.87414
5	138	-1.92387
6	138	-1.99176
7	138	-2.04363
8	138	-2.13673
9	138	-2.19277
10	138	-2.21575
11	138	-2.1935
12	138	-2.16194
13	138	-2.15689
14	138	-2.11324
15	138	-2.10727
16	138	-2.11146
17	138	-2.04761
18	138	-1.94471
19	138	-1.76642
20	138	-1.61383
21	138	-1.40524
22	138	-1.12097
23	138	-0.901632
24	138	-0.724191
25	138	-0.542319
26	138	-0.383806
27	138	-0.250317
28	138	-0.153268
29	138	-0.086208
30	138	-0.0838566
31	138	-0.111231
32	138	-0.184224
33	138	-0.316953
34	138	-0.517677
35	138	-0.791704
36	138	-1.11632
37	138	-1.50075
38	138	-1.92421
39	138	-2.43238
40	138	-2.99344
41	138	-3.63699
42	138	-4.3017
43	138	-4.87886
44	138	-5.41076
45	138	-5.7464
46	138	-5.79505
47	138	-5.60853
48	138	-5.17151
49	138	-4.59051
50	138	-4.00565
51	138	-3.39957
52	138	-2.94234
53	138	-2.51239
54	138	-2.14735
55	138	-1.96526
56	138	-1.89499
57	138	-2.0165
58	138	-2.25573
59	138	-2.65405
60	138	-3.20879
61	138	-3.93923
62	138	-4.85334
63	138	-5.94406
64	138	-7.30175
65	138	-8.65114

66	138	-9.78321
67	138	-10.192
68	138	-9.71902
69	138	-8.58936
70	138	-7.34307
71	138	-6.17442
72	138	-5.2173
73	138	-4.41609
74	138	-3.88278
75	138	-3.52018
76	138	-3.42806
77	138	-3.56282
78	138	-3.89467
79	138	-4.44242
80	138	-5.27104
81	138	-6.43283
82	138	-8.01755
83	138	-10.2103
84	138	-13.2187
85	138	-17.1798
86	138	-19.575
87	138	-16.1002
88	138	-12.4605
89	138	-9.86609
90	138	-7.99906
91	138	-6.67185
92	138	-5.76214
93	138	-5.13367
94	138	-4.82639
95	138	-4.74313
96	138	-4.59667
97	138	-4.95096
98	138	-5.53939
99	138	-6.52167
100	138	-7.90042
101	138	-9.79894
102	138	-12.6838
103	138	-15.9448
104	138	-18.7686
105	138	-18.3971
106	138	-14.2609
107	138	-10.1844
108	138	-8.32361
109	138	-6.88451
110	138	-5.70902
111	138	-4.99508
112	138	-4.41622
113	138	-4.05942
114	138	-3.92793
115	138	-3.95915
116	138	-4.1669
117	138	-4.57476
118	138	-5.15795
119	138	-5.89877
120	138	-6.81913
121	138	-7.77646
122	138	-8.68791
123	138	-9.22297
124	138	-9.36367
125	138	-8.9128
126	138	-8.07121
127	138	-7.02979
128	138	-6.02404
129	138	-4.95207
130	138	-3.99586
131	138	-3.42854
132	138	-2.81352
133	138	-2.34144
134	138	-1.95363
135	138	-1.69376
136	138	-1.51559
137	138	-1.37724
138	138	-1.33056
139	138	-1.36846
140	138	-1.48165
141	138	-1.60441
142	138	-1.78007
143	138	-1.97899
144	138	-2.24351
145	138	-2.53203
146	138	-2.80391
147	138	-3.06749
148	138	-3.32773
149	138	-3.58895
150	138	-3.78706
151	138	-3.97377
152	138	-4.13452
153	138	-4.23603
154	138	-4.21414
155	138	-4.14783
156	138	-4.06163
157	138	-3.93151
158	138	-3.77082
159	138	-3.54379
160	138	-3.44994

161	138	-3.26677
162	138	-3.00178
163	138	-2.79234
164	138	-2.62134
165	138	-2.4611
166	138	-2.2942
167	138	-2.09851
168	138	-1.90673
169	138	-1.86088
170	138	-1.76526
171	138	-1.63854
172	138	-1.57587
173	138	-1.53194
174	138	-1.47241
175	138	-1.44025
176	138	-1.42137
177	138	-1.42932
178	138	-1.46544
179	138	-1.50116
180	138	-1.54368
-180	139	-2.17149
-179	139	-2.21283
-178	139	-2.26641
-177	139	-2.27853
-176	139	-2.31762
-175	139	-2.35268
-174	139	-2.37019
-173	139	-2.3708
-172	139	-2.3844
-171	139	-2.37422
-170	139	-2.33027
-169	139	-2.25696
-168	139	-2.11627
-167	139	-2.05313
-166	139	-1.94928
-165	139	-1.83888
-164	139	-1.73371
-163	139	-1.61959
-162	139	-1.47215
-161	139	-1.27919
-160	139	-1.09273
-159	139	-0.955019
-158	139	-0.71084
-157	139	-0.511661
-156	139	-0.375093
-155	139	-0.253679
-154	139	-0.194098
-153	139	-0.126719
-152	139	-0.10026
-151	139	-0.10464
-150	139	-0.157725
-149	139	-0.26713
-148	139	-0.431032
-147	139	-0.658766
-146	139	-0.942108
-145	139	-1.27606
-144	139	-1.66474
-143	139	-2.10947
-142	139	-2.59724
-141	139	-3.18484
-140	139	-3.79808
-139	139	-4.39015
-138	139	-4.91798
-137	139	-5.30927
-136	139	-5.54269
-135	139	-5.49713
-134	139	-5.24524
-133	139	-4.79144
-132	139	-4.24576
-131	139	-3.65258
-130	139	-3.08671
-129	139	-2.58576
-128	139	-2.19104
-127	139	-1.87645
-126	139	-1.71315
-125	139	-1.66221
-124	139	-1.71288
-123	139	-1.92583
-122	139	-2.29375
-121	139	-2.81627
-120	139	-3.49786
-119	139	-4.38299
-118	139	-5.48243
-117	139	-6.88853
-116	139	-8.37112
-115	139	-9.79806
-114	139	-10.6919
-113	139	-10.5157
-112	139	-9.40326
-111	139	-7.96931
-110	139	-6.43715
-109	139	-5.36266
-108	139	-4.46103
-107	139	-3.76226
-106	139	-3.26707

-105	139	-3.05516
-104	139	-3.04519
-103	139	-3.2176
-102	139	-3.66797
-101	139	-4.36821
-100	139	-5.37715
-99	139	-6.75167
-98	139	-8.6027
-97	139	-11.1234
-96	139	-14.7172
-95	139	-19.7572
-94	139	-20.0518
-93	139	-15.1034
-92	139	-11.4732
-91	139	-9.76261
-90	139	-7.85921
-89	139	-6.60501
-88	139	-5.53717
-87	139	-4.88175
-86	139	-4.50542
-85	139	-4.39307
-84	139	-4.57289
-83	139	-4.98808
-82	139	-5.59584
-81	139	-6.46702
-80	139	-7.72489
-79	139	-9.4402
-78	139	-11.7619
-77	139	-14.7364
-76	139	-17.6229
-75	139	-16.974
-74	139	-14.7667
-73	139	-14.1447
-72	139	-10.1051
-71	139	-8.07711
-70	139	-6.52997
-69	139	-5.45624
-68	139	-4.70485
-67	139	-4.21748
-66	139	-3.98793
-65	139	-3.98336
-64	139	-4.14933
-63	139	-4.46773
-62	139	-4.9393
-61	139	-5.6085
-60	139	-6.43536
-59	139	-7.37495
-58	139	-8.31477
-57	139	-9.06087
-56	139	-9.38771
-55	139	-9.34655
-54	139	-8.73432
-53	139	-7.73208
-52	139	-6.67326
-51	139	-5.60072
-50	139	-4.66396
-49	139	-3.89338
-48	139	-3.37702
-47	139	-2.79645
-46	139	-2.37228
-45	139	-2.02865
-44	139	-1.7712
-43	139	-1.57786
-42	139	-1.49344
-41	139	-1.47744
-40	139	-1.49583
-39	139	-1.57676
-38	139	-1.67528
-37	139	-1.83062
-36	139	-2.04613
-35	139	-2.23831
-34	139	-2.47108
-33	139	-2.71945
-32	139	-2.97136
-31	139	-3.1923
-30	139	-3.40746
-29	139	-3.62811
-28	139	-3.84115
-27	139	-4.02004
-26	139	-4.14767
-25	139	-4.17752
-24	139	-4.15852
-23	139	-4.1343
-22	139	-4.01943
-21	139	-3.95504
-20	139	-3.92611
-19	139	-3.75028
-18	139	-3.4997
-17	139	-3.36618
-16	139	-3.19698
-15	139	-3.08277
-14	139	-2.91003
-13	139	-2.72507
-12	139	-2.68071
-11	139	-2.6248

-10	139	-2.50602
-9	139	-2.41292
-8	139	-2.34414
-7	139	-2.27838
-6	139	-2.25003
-5	139	-2.21294
-4	139	-2.19108
-3	139	-2.17625
-2	139	-2.17844
-1	139	-2.19593
0	139	-2.22241
1	139	-2.25156
2	139	-2.30185
3	139	-2.35882
4	139	-2.37534
5	139	-2.42909
6	139	-2.43508
7	139	-2.43892
8	139	-2.44086
9	139	-2.42843
10	139	-2.40604
11	139	-2.33358
12	139	-2.24166
13	139	-2.13874
14	139	-2.01921
15	139	-1.91985
16	139	-1.8282
17	139	-1.7265
18	139	-1.61728
19	139	-1.448
20	139	-1.28213
21	139	-1.12738
22	139	-0.873243
23	139	-0.639138
24	139	-0.488447
25	139	-0.362381
26	139	-0.263926
27	139	-0.191751
28	139	-0.187501
29	139	-0.18869
30	139	-0.245094
31	139	-0.347303
32	139	-0.46033
33	139	-0.647146
34	139	-0.910468
35	139	-1.24332
36	139	-1.64576
37	139	-2.11559
38	139	-2.60243
39	139	-3.17266
40	139	-3.81774
41	139	-4.41171
42	139	-5.01974
43	139	-5.50345
44	139	-5.84004
45	139	-5.88416
46	139	-5.7117
47	139	-5.35205
48	139	-4.78723
49	139	-4.18835
50	139	-3.62049
51	139	-3.13861
52	139	-2.65424
53	139	-2.30293
54	139	-2.05857
55	139	-1.96355
56	139	-1.99288
57	139	-2.16698
58	139	-2.48411
59	139	-2.93815
60	139	-3.5921
61	139	-4.41934
62	139	-5.42857
63	139	-6.72845
64	139	-8.11654
65	139	-9.51264
66	139	-10.5216
67	139	-10.5679
68	139	-9.71112
69	139	-8.37983
70	139	-7.09886
71	139	-5.93943
72	139	-5.00789
73	139	-4.2562
74	139	-3.68316
75	139	-3.41976
76	139	-3.34836
77	139	-3.47745
78	139	-3.82641
79	139	-4.39442
80	139	-5.24519
81	139	-6.40616
82	139	-7.98337
83	139	-10.0798
84	139	-12.9266

85	139	-16.6433
86	139	-19.5155
87	139	-16.7705
88	139	-13.0573
89	139	-10.3176
90	139	-8.38232
91	139	-6.97963
92	139	-6.03304
93	139	-5.36269
94	139	-4.96019
95	139	-4.8431
96	139	-4.97222
97	139	-4.96167
98	139	-5.46273
99	139	-6.29996
100	139	-7.4893
101	139	-9.17299
102	139	-11.4604
103	139	-14.5675
104	139	-18.156
105	139	-18.4815
106	139	-16.1564
107	139	-15.2949
108	139	-10.6797
109	139	-8.45933
110	139	-6.81419
111	139	-5.69391
112	139	-4.95582
113	139	-4.4408
114	139	-4.17453
115	139	-4.0676
116	139	-4.1731
117	139	-4.44689
118	139	-4.87605
119	139	-5.50676
120	139	-6.26442
121	139	-7.11256
122	139	-7.99435
123	139	-8.78538
124	139	-9.25597
125	139	-9.30604
126	139	-8.80682
127	139	-7.94794
128	139	-6.94472
129	139	-5.97824
130	139	-5
131	139	-4.05644
132	139	-3.497
133	139	-2.88668
134	139	-2.43508
135	139	-2.07786
136	139	-1.75479
137	139	-1.53785
138	139	-1.41659
139	139	-1.33172
140	139	-1.3442
141	139	-1.40323
142	139	-1.47604
143	139	-1.6248
144	139	-1.84034
145	139	-2.04072
146	139	-2.25022
147	139	-2.50225
148	139	-2.77792
149	139	-3.03138
150	139	-3.2481
151	139	-3.4696
152	139	-3.72319
153	139	-3.90954
154	139	-4.05149
155	139	-4.08462
156	139	-4.08383
157	139	-4.06151
158	139	-4.00233
159	139	-3.92023
160	139	-3.90494
161	139	-3.77145
162	139	-3.52707
163	139	-3.40085
164	139	-3.25817
165	139	-3.11198
166	139	-2.99582
167	139	-2.79195
168	139	-2.68775
169	139	-2.58818
170	139	-2.47884
171	139	-2.39042
172	139	-2.3134
173	139	-2.25678
174	139	-2.21815
175	139	-2.17845
176	139	-2.15001
177	139	-2.12335
178	139	-2.12762
179	139	-2.15374

180	139	-2.17149
-180	140	-2.56181
-179	140	-2.54089
-178	140	-2.55489
-177	140	-2.60087
-176	140	-2.56272
-175	140	-2.56137
-174	140	-2.50917
-173	140	-2.44491
-172	140	-2.38547
-171	140	-2.31838
-170	140	-2.21659
-169	140	-2.08998
-168	140	-1.95102
-167	140	-1.79167
-166	140	-1.63272
-165	140	-1.4778
-164	140	-1.32354
-163	140	-1.17238
-162	140	-1.06564
-161	140	-0.895498
-160	140	-0.73607
-159	140	-0.624847
-158	140	-0.463878
-157	140	-0.305638
-156	140	-0.212851
-155	140	-0.157276
-154	140	-0.141234
-153	140	-0.161003
-152	140	-0.208552
-151	140	-0.2921
-150	140	-0.414773
-149	140	-0.593374
-148	140	-0.823029
-147	140	-1.10873
-146	140	-1.46863
-145	140	-1.87222
-144	140	-2.33493
-143	140	-2.86067
-142	140	-3.45973
-141	140	-4.06134
-140	140	-4.65456
-139	140	-5.1905
-138	140	-5.56068
-137	140	-5.76167
-136	140	-5.73093
-135	140	-5.43414
-134	140	-4.99385
-133	140	-4.44633
-132	140	-3.8678
-131	140	-3.28687
-130	140	-2.77587
-129	140	-2.37122
-128	140	-2.01967
-127	140	-1.80368
-126	140	-1.65604
-125	140	-1.66401
-124	140	-1.83133
-123	140	-2.12229
-122	140	-2.56319
-121	140	-3.13996
-120	140	-3.91853
-119	140	-4.90744
-118	140	-6.19691
-117	140	-7.65996
-116	140	-9.22753
-115	140	-10.6483
-114	140	-11.3023
-113	140	-10.6979
-112	140	-9.32493
-111	140	-7.80873
-110	140	-6.3278
-109	140	-5.21729
-108	140	-4.3022
-107	140	-3.63308
-106	140	-3.23494
-105	140	-3.05307
-104	140	-3.04793
-103	140	-3.27393
-102	140	-3.69845
-101	140	-4.4162
-100	140	-5.40708
-99	140	-6.76645
-98	140	-8.59108
-97	140	-11.0944
-96	140	-14.6338
-95	140	-19.4081
-94	140	-19.9361
-93	140	-15.3057
-92	140	-12.8203
-91	140	-10.0861
-90	140	-8.18684
-89	140	-6.7811
-88	140	-5.82869
-87	140	-5.11174

-86	140	-4.68559
-85	140	-4.49866
-84	140	-4.5553
-83	140	-4.86149
-82	140	-5.41107
-81	140	-6.22618
-80	140	-7.38763
-79	140	-8.95827
-78	140	-11.0393
-77	140	-13.7618
-76	140	-16.9067
-75	140	-17.863
-74	140	-15.9227
-73	140	-16.0781
-72	140	-14.1278
-71	140	-9.72403
-70	140	-7.52127
-69	140	-6.11138
-68	140	-5.20025
-67	140	-4.60307
-66	140	-4.27095
-65	140	-4.14323
-64	140	-4.17953
-63	140	-4.34448
-62	140	-4.67333
-61	140	-5.18285
-60	140	-5.83609
-59	140	-6.61626
-58	140	-7.47041
-57	140	-8.27904
-56	140	-8.92691
-55	140	-9.26646
-54	140	-9.20564
-53	140	-8.65306
-52	140	-7.6894
-51	140	-6.63919
-50	140	-5.80461
-49	140	-4.91085
-48	140	-4.09156
-47	140	-3.57205
-46	140	-3.02249
-45	140	-2.55871
-44	140	-2.19592
-43	140	-1.91472
-42	140	-1.70978
-41	140	-1.57679
-40	140	-1.51659
-39	140	-1.48527
-38	140	-1.51211
-37	140	-1.58743
-36	140	-1.72349
-35	140	-1.83146
-34	140	-1.95938
-33	140	-2.15832
-32	140	-2.37578
-31	140	-2.57271
-30	140	-2.78267
-29	140	-2.99844
-28	140	-3.23067
-27	140	-3.46534
-26	140	-3.64703
-25	140	-3.74756
-24	140	-3.81087
-23	140	-3.84692
-22	140	-3.87054
-21	140	-3.8862
-20	140	-3.9284
-19	140	-3.81419
-18	140	-3.67106
-17	140	-3.62064
-16	140	-3.54049
-15	140	-3.42017
-14	140	-3.25633
-13	140	-3.1965
-12	140	-3.23755
-11	140	-3.08545
-10	140	-3.01594
-9	140	-2.9648
-8	140	-2.93324
-7	140	-2.82751
-6	140	-2.77777
-5	140	-2.72997
-4	140	-2.69695
-3	140	-2.66373
-2	140	-2.64704
-1	140	-2.63866
0	140	-2.63995
1	140	-2.62261
2	140	-2.65215
3	140	-2.64864
4	140	-2.65821
5	140	-2.6239
6	140	-2.5609
7	140	-2.52864
8	140	-2.43685

9	140	-2.35197
10	140	-2.26997
11	140	-2.14713
12	140	-2.03642
13	140	-1.8847
14	140	-1.73636
15	140	-1.59573
16	140	-1.45873
17	140	-1.31184
18	140	-1.17633
19	140	-1.05045
20	140	-0.892816
21	140	-0.808639
22	140	-0.657837
23	140	-0.448821
24	140	-0.332352
25	140	-0.248234
26	140	-0.203037
27	140	-0.204833
28	140	-0.259133
29	140	-0.358872
30	140	-0.482893
31	140	-0.662083
32	140	-0.871683
33	140	-1.13555
34	140	-1.46719
35	140	-1.85766
36	140	-2.32819
37	140	-2.85756
38	140	-3.43367
39	140	-4.05766
40	140	-4.69346
41	140	-5.28384
42	140	-5.76199
43	140	-6.05095
44	140	-6.10128
45	140	-5.90473
46	140	-5.47646
47	140	-4.9121
48	140	-4.31547
49	140	-3.71839
50	140	-3.26872
51	140	-2.78507
52	140	-2.42105
53	140	-2.17659
54	140	-2.02897
55	140	-2.02545
56	140	-2.12326
57	140	-2.36407
58	140	-2.76598
59	140	-3.32317
60	140	-4.04637
61	140	-4.97301
62	140	-6.18436
63	140	-7.56095
64	140	-9.07467
65	140	-10.5323
66	140	-11.2944
67	140	-10.955
68	140	-9.74457
69	140	-8.23617
70	140	-6.92137
71	140	-5.76639
72	140	-4.79532
73	140	-4.05535
74	140	-3.60971
75	140	-3.36321
76	140	-3.31782
77	140	-3.46433
78	140	-3.81714
79	140	-4.3838
80	140	-5.24427
81	140	-6.39581
82	140	-7.92986
83	140	-9.95414
84	140	-12.7178
85	140	-16.401
86	140	-19.4416
87	140	-17.1022
88	140	-13.4432
89	140	-10.6727
90	140	-8.71894
91	140	-7.29946
92	140	-6.24793
93	140	-5.58926
94	140	-5.08965
95	140	-4.93471
96	140	-5.02622
97	140	-4.95754
98	140	-5.41891
99	140	-6.12797
100	140	-7.19359
101	140	-8.71482
102	140	-10.7583
103	140	-13.5581

104	140	-17.2182
105	140	-19.4904
106	140	-17.5248
107	140	-17.4912
108	140	-15.1365
109	140	-10.3781
110	140	-8.08194
111	140	-6.65065
112	140	-5.57115
113	140	-4.92339
114	140	-4.52495
115	140	-4.29693
116	140	-4.21799
117	140	-4.39612
118	140	-4.69612
119	140	-5.14351
120	140	-5.70765
121	140	-6.4135
122	140	-7.22089
123	140	-8.02582
124	140	-8.7494
125	140	-9.16081
126	140	-9.18652
127	140	-8.73061
128	140	-7.87243
129	140	-6.91527
130	140	-5.99351
131	140	-5.08941
132	140	-4.22726
133	140	-3.67211
134	140	-3.04757
135	140	-2.58625
136	140	-2.19584
137	140	-1.84338
138	140	-1.60514
139	140	-1.44171
140	140	-1.32985
141	140	-1.29175
142	140	-1.32252
143	140	-1.37293
144	140	-1.49803
145	140	-1.61595
146	140	-1.77061
147	140	-1.95649
148	140	-2.17228
149	140	-2.37548
150	140	-2.57658
151	140	-2.79048
152	140	-3.04014
153	140	-3.29431
154	140	-3.4943
155	140	-3.58834
156	140	-3.68271
157	140	-3.73338
158	140	-3.76814
159	140	-3.79562
160	140	-3.84683
161	140	-3.7837
162	140	-3.65651
163	140	-3.62859
164	140	-3.54542
165	140	-3.46329
166	140	-3.28763
167	140	-3.22215
168	140	-3.21319
169	140	-3.05395
170	140	-2.98342
171	140	-2.89507
172	140	-2.8148
173	140	-2.76099
174	140	-2.71536
175	140	-2.6708
176	140	-2.62576
177	140	-2.59923
178	140	-2.57671
179	140	-2.57503
180	140	-2.56181
-180	141	-2.71971
-179	141	-2.66939
-178	141	-2.6249
-177	141	-2.57691
-176	141	-2.52007
-175	141	-2.45025
-174	141	-2.36879
-173	141	-2.27371
-172	141	-2.13459
-171	141	-2.01522
-170	141	-1.87236
-169	141	-1.70684
-168	141	-1.56149
-167	141	-1.40904
-166	141	-1.23794
-165	141	-1.06917
-164	141	-0.918722
-163	141	-0.7779

-162	141	-0.644393
-161	141	-0.55251
-160	141	-0.421965
-159	141	-0.355012
-158	141	-0.290012
-157	141	-0.192163
-156	141	-0.131923
-155	141	-0.129427
-154	141	-0.156125
-153	141	-0.24406
-152	141	-0.361348
-151	141	-0.533923
-150	141	-0.748229
-149	141	-1.00325
-148	141	-1.31741
-147	141	-1.67979
-146	141	-2.08238
-145	141	-2.57514
-144	141	-3.13277
-143	141	-3.71248
-142	141	-4.32339
-141	141	-4.88907
-140	141	-5.46247
-139	141	-5.85281
-138	141	-6.0273
-137	141	-5.96132
-136	141	-5.61661
-135	141	-5.15139
-134	141	-4.52923
-133	141	-4.00897
-132	141	-3.43573
-131	141	-2.91328
-130	141	-2.47436
-129	141	-2.1277
-128	141	-1.88704
-127	141	-1.7156
-126	141	-1.70428
-125	141	-1.77632
-124	141	-2.04188
-123	141	-2.37828
-122	141	-2.90649
-121	141	-3.59083
-120	141	-4.45445
-119	141	-5.60823
-118	141	-6.95086
-117	141	-8.50334
-116	141	-10.2179
-115	141	-11.5725
-114	141	-11.8572
-113	141	-10.8606
-112	141	-9.24997
-111	141	-7.7287
-110	141	-6.32346
-109	141	-5.11721
-108	141	-4.22161
-107	141	-3.63019
-106	141	-3.25936
-105	141	-3.08639
-104	141	-3.12917
-103	141	-3.358
-102	141	-3.7934
-101	141	-4.54542
-100	141	-5.55295
-99	141	-6.92972
-98	141	-8.7441
-97	141	-11.1699
-96	141	-14.5762
-95	141	-18.9997
-94	141	-19.5901
-93	141	-15.3276
-92	141	-12.9783
-91	141	-10.2604
-90	141	-8.39138
-89	141	-6.96155
-88	141	-6.02545
-87	141	-5.28136
-86	141	-4.78648
-85	141	-4.54829
-84	141	-4.56709
-83	141	-4.80448
-82	141	-5.27668
-81	141	-6.02641
-80	141	-7.03299
-79	141	-8.42934
-78	141	-10.2578
-77	141	-12.7107
-76	141	-15.8375
-75	141	-18.0145
-74	141	-16.6901
-73	141	-14.1921
-72	141	-11.7443
-71	141	-10.1234
-70	141	-8.34917
-69	141	-6.87326
-68	141	-5.81839

-67	141	-5.09245
-66	141	-4.61863
-65	141	-4.34112
-64	141	-4.21986
-63	141	-4.23375
-62	141	-4.43477
-61	141	-4.75863
-60	141	-5.27787
-59	141	-5.89588
-58	141	-6.60086
-57	141	-7.40286
-56	141	-8.14974
-55	141	-8.81213
-54	141	-9.17249
-53	141	-9.10133
-52	141	-8.57494
-51	141	-7.82801
-50	141	-6.92758
-49	141	-6.14454
-48	141	-5.25876
-47	141	-4.48853
-46	141	-3.91685
-45	141	-3.30814
-44	141	-2.81203
-43	141	-2.4286
-42	141	-2.12167
-41	141	-1.88694
-40	141	-1.7094
-39	141	-1.57794
-38	141	-1.52271
-37	141	-1.53102
-36	141	-1.53253
-35	141	-1.5435
-34	141	-1.60905
-33	141	-1.73305
-32	141	-1.8772
-31	141	-2.0114
-30	141	-2.15742
-29	141	-2.35183
-28	141	-2.59023
-27	141	-2.79984
-26	141	-2.97026
-25	141	-3.08517
-24	141	-3.18081
-23	141	-3.27117
-22	141	-3.35097
-21	141	-3.46223
-20	141	-3.54621
-19	141	-3.46432
-18	141	-3.43217
-17	141	-3.45363
-16	141	-3.43079
-15	141	-3.27716
-14	141	-3.23228
-13	141	-3.29564
-12	141	-3.20758
-11	141	-3.1623
-10	141	-3.1193
-9	141	-3.06118
-8	141	-2.98605
-7	141	-2.93578
-6	141	-2.86687
-5	141	-2.82247
-4	141	-2.79857
-3	141	-2.75369
-2	141	-2.69251
-1	141	-2.67532
0	141	-2.65699
1	141	-2.63972
2	141	-2.61239
3	141	-2.58165
4	141	-2.53653
5	141	-2.44943
6	141	-2.35361
7	141	-2.23373
8	141	-2.08335
9	141	-1.93763
10	141	-1.83493
11	141	-1.68879
12	141	-1.57201
13	141	-1.47359
14	141	-1.30195
15	141	-1.1568
16	141	-1.00219
17	141	-0.860865
18	141	-0.733217
19	141	-0.638825
20	141	-0.53142
21	141	-0.478431
22	141	-0.43245
23	141	-0.326548
24	141	-0.253302
25	141	-0.213112
26	141	-0.198562
27	141	-0.262945

28	141	-0.355243
29	141	-0.525346
30	141	-0.740989
31	141	-1.00348
32	141	-1.32196
33	141	-1.68731
34	141	-2.09936
35	141	-2.56484
36	141	-3.09864
37	141	-3.67353
38	141	-4.29144
39	141	-4.90307
40	141	-5.50712
41	141	-6.01817
42	141	-6.3139
43	141	-6.44439
44	141	-6.25235
45	141	-5.77822
46	141	-5.14124
47	141	-4.57056
48	141	-3.95303
49	141	-3.40317
50	141	-2.92712
51	141	-2.54219
52	141	-2.27597
53	141	-2.10209
54	141	-2.0383
55	141	-2.09711
56	141	-2.29163
57	141	-2.61919
58	141	-3.12455
59	141	-3.74014
60	141	-4.54587
61	141	-5.62914
62	141	-6.92615
63	141	-8.41578
64	141	-10.0773
65	141	-11.5091
66	141	-11.9616
67	141	-11.191
68	141	-9.70378
69	141	-8.1299
70	141	-6.78426
71	141	-5.59975
72	141	-4.64755
73	141	-4.0242
74	141	-3.61665
75	141	-3.39981
76	141	-3.37317
77	141	-3.54207
78	141	-3.90461
79	141	-4.49834
80	141	-5.32508
81	141	-6.44438
82	141	-7.9832
83	141	-9.96124
84	141	-12.6549
85	141	-16.2159
86	141	-19.2684
87	141	-17.313
88	141	-13.6806
89	141	-11.0042
90	141	-8.92419
91	141	-7.49669
92	141	-6.40802
93	141	-5.68685
94	141	-5.22045
95	141	-5.01578
96	141	-5.04294
97	141	-4.88107
98	141	-5.2682
99	141	-5.8917
100	141	-6.83411
101	141	-8.18085
102	141	-9.97171
103	141	-12.3332
104	141	-15.4892
105	141	-18.7084
106	141	-18.2017
107	141	-15.5245
108	141	-12.7577
109	141	-10.9602
110	141	-8.99422
111	141	-7.45729
112	141	-6.16797
113	141	-5.3732
114	141	-4.84826
115	141	-4.49125
116	141	-4.32405
117	141	-4.32113
118	141	-4.47247
119	141	-4.76704
120	141	-5.20623
121	141	-5.78808
122	141	-6.47795

123	141	-7.23354
124	141	-8.01206
125	141	-8.72101
126	141	-9.12744
127	141	-9.10624
128	141	-8.70281
129	141	-7.9133
130	141	-7.01643
131	141	-6.1969
132	141	-5.34718
133	141	-4.61229
134	141	-3.96385
135	141	-3.35242
136	141	-2.83075
137	141	-2.38738
138	141	-2.01251
139	141	-1.73802
140	141	-1.58057
141	141	-1.41477
142	141	-1.32333
143	141	-1.32535
144	141	-1.3528
145	141	-1.38187
146	141	-1.46236
147	141	-1.58554
148	141	-1.7077
149	141	-1.84895
150	141	-2.00965
151	141	-2.17817
152	141	-2.4205
153	141	-2.65483
154	141	-2.84592
155	141	-2.97184
156	141	-3.08446
157	141	-3.182
158	141	-3.25993
159	141	-3.41781
160	141	-3.53575
161	141	-3.49779
162	141	-3.46551
163	141	-3.46631
164	141	-3.44969
165	141	-3.35604
166	141	-3.2997
167	141	-3.35753
168	141	-3.31752
169	141	-3.2084
170	141	-3.18097
171	141	-3.1109
172	141	-3.04875
173	141	-2.99836
174	141	-2.9621
175	141	-2.91191
176	141	-2.87407
177	141	-2.82006
178	141	-2.77697
179	141	-2.75383
180	141	-2.71971
-180	142	-2.47425
-179	142	-2.3618
-178	142	-2.3205
-177	142	-2.27973
-176	142	-2.17201
-175	142	-2.06344
-174	142	-1.94687
-173	142	-1.81809
-172	142	-1.67198
-171	142	-1.49205
-170	142	-1.35119
-169	142	-1.21413
-168	142	-1.0778
-167	142	-0.916914
-166	142	-0.78176
-165	142	-0.642062
-164	142	-0.503688
-163	142	-0.388218
-162	142	-0.280764
-161	142	-0.215274
-160	142	-0.146059
-159	142	-0.104731
-158	142	-0.135184
-157	142	-0.121237
-156	142	-0.119297
-155	142	-0.180572
-154	142	-0.263636
-153	142	-0.403801
-152	142	-0.601226
-151	142	-0.840093
-150	142	-1.13194
-149	142	-1.47292
-148	142	-1.86867
-147	142	-2.31836
-146	142	-2.83893
-145	142	-3.38621
-144	142	-3.96902

-143	142	-4.56169
-142	142	-5.13998
-141	142	-5.67966
-140	142	-6.07663
-139	142	-6.24774
-138	142	-6.19196
-137	142	-5.90163
-136	142	-5.40017
-135	142	-4.78276
-134	142	-4.17572
-133	142	-3.57567
-132	142	-3.02628
-131	142	-2.56619
-130	142	-2.21043
-129	142	-1.86595
-128	142	-1.71151
-127	142	-1.68699
-126	142	-1.74835
-125	142	-1.87204
-124	142	-2.21131
-123	142	-2.66333
-122	142	-3.25929
-121	142	-4.02236
-120	142	-5.04694
-119	142	-6.26226
-118	142	-7.68698
-117	142	-9.42568
-116	142	-11.2257
-115	142	-12.4855
-114	142	-12.375
-113	142	-11.0299
-112	142	-9.26059
-111	142	-7.69338
-110	142	-6.32737
-109	142	-5.16692
-108	142	-4.29352
-107	142	-3.72586
-106	142	-3.3693
-105	142	-3.24306
-104	142	-3.28173
-103	142	-3.54383
-102	142	-4.0565
-101	142	-4.78926
-100	142	-5.79505
-99	142	-7.17582
-98	142	-8.98411
-97	142	-11.4078
-96	142	-14.7729
-95	142	-18.781
-94	142	-19.1658
-93	142	-15.201
-92	142	-13.0546
-91	142	-10.3648
-90	142	-8.49216
-89	142	-7.07475
-88	142	-6.02352
-87	142	-5.34757
-86	142	-4.84088
-85	142	-4.59235
-84	142	-4.56017
-83	142	-4.72673
-82	142	-5.14119
-81	142	-5.76055
-80	142	-6.63674
-79	142	-7.8777
-78	142	-9.4913
-77	142	-11.686
-76	142	-14.4228
-75	142	-17.1677
-74	142	-17.4866
-73	142	-14.8214
-72	142	-12.5001
-71	142	-12.4569
-70	142	-9.72742
-69	142	-7.82019
-68	142	-6.49015
-67	142	-5.60447
-66	142	-4.97481
-65	142	-4.53179
-64	142	-4.26279
-63	142	-4.15638
-62	142	-4.21995
-61	142	-4.4301
-60	142	-4.78047
-59	142	-5.27484
-58	142	-5.87716
-57	142	-6.53532
-56	142	-7.26507
-55	142	-8.0345
-54	142	-8.71366
-53	142	-9.0287
-52	142	-9.0473
-51	142	-8.81749
-50	142	-8.13841
-49	142	-7.35874

-48	142	-6.5069
-47	142	-5.69805
-46	142	-4.98689
-45	142	-4.25379
-44	142	-3.63812
-43	142	-3.11109
-42	142	-2.68589
-41	142	-2.34616
-40	142	-2.06571
-39	142	-1.85034
-38	142	-1.69635
-37	142	-1.59087
-36	142	-1.489
-35	142	-1.42392
-34	142	-1.41018
-33	142	-1.44728
-32	142	-1.50325
-31	142	-1.56725
-30	142	-1.63931
-29	142	-1.7559
-28	142	-1.94094
-27	142	-2.14548
-26	142	-2.30904
-25	142	-2.40515
-24	142	-2.4785
-23	142	-2.54391
-22	142	-2.63442
-21	142	-2.79976
-20	142	-2.88723
-19	142	-2.84465
-18	142	-2.84328
-17	142	-2.89331
-16	142	-2.86252
-15	142	-2.8389
-14	142	-2.9064
-13	142	-2.89216
-12	142	-2.85192
-11	142	-2.85692
-10	142	-2.82342
-9	142	-2.77107
-8	142	-2.74291
-7	142	-2.69952
-6	142	-2.6289
-5	142	-2.57511
-4	142	-2.53218
-3	142	-2.4719
-2	142	-2.40644
-1	142	-2.37557
0	142	-2.33903
1	142	-2.29549
2	142	-2.26181
3	142	-2.18387
4	142	-2.10083
5	142	-2.00422
6	142	-1.851
7	142	-1.73017
8	142	-1.5926
9	142	-1.42291
10	142	-1.27964
11	142	-1.14368
12	142	-1.00009
13	142	-0.8972
14	142	-0.802677
15	142	-0.697098
16	142	-0.576039
17	142	-0.473372
18	142	-0.376368
19	142	-0.298454
20	142	-0.239281
21	142	-0.210508
22	142	-0.244528
23	142	-0.232188
24	142	-0.22816
25	142	-0.276771
26	142	-0.357819
27	142	-0.471744
28	142	-0.639948
29	142	-0.856432
30	142	-1.13512
31	142	-1.46735
32	142	-1.84783
33	142	-2.30584
34	142	-2.82482
35	142	-3.38252
36	142	-3.9706
37	142	-4.58332
38	142	-5.18198
39	142	-5.71928
40	142	-6.18159
41	142	-6.48777
42	142	-6.59338
43	142	-6.42209
44	142	-5.99863
45	142	-5.44709
46	142	-4.82852

47	142	-4.21034
48	142	-3.58644
49	142	-3.05935
50	142	-2.65037
51	142	-2.33181
52	142	-2.12364
53	142	-2.0322
54	142	-2.04017
55	142	-2.1858
56	142	-2.46181
57	142	-2.86922
58	142	-3.40038
59	142	-4.13375
60	142	-5.08727
61	142	-6.31516
62	142	-7.6656
63	142	-9.34018
64	142	-11.1198
65	142	-12.4131
66	142	-12.5509
67	142	-11.4063
68	142	-9.72964
69	142	-8.1582
70	142	-6.7869
71	142	-5.5861
72	142	-4.6814
73	142	-4.08631
74	142	-3.68935
75	142	-3.48878
76	142	-3.48408
77	142	-3.66211
78	142	-4.04467
79	142	-4.62846
80	142	-5.44985
81	142	-6.57332
82	142	-8.04712
83	142	-9.95965
84	142	-12.5946
85	142	-15.8914
86	142	-18.4786
87	142	-17.066
88	142	-13.8297
89	142	-11.1903
90	142	-9.21316
91	142	-7.68773
92	142	-6.58039
93	142	-5.82781
94	142	-5.33121
95	142	-5.08288
96	142	-5.06224
97	142	-4.83298
98	142	-5.17041
99	142	-5.76892
100	142	-6.51291
101	142	-7.66936
102	142	-9.199
103	142	-11.2469
104	142	-13.8958
105	142	-17.0579
106	142	-18.6036
107	142	-16.3567
108	142	-13.8559
109	142	-13.6975
110	142	-10.4846
111	142	-8.35749
112	142	-6.93475
113	142	-5.82045
114	142	-5.14883
115	142	-4.67291
116	142	-4.40949
117	142	-4.28919
118	142	-4.3038
119	142	-4.48189
120	142	-4.79946
121	142	-5.2516
122	142	-5.82761
123	142	-6.46696
124	142	-7.22097
125	142	-8.00096
126	142	-8.60501
127	142	-8.9864
128	142	-9.03688
129	142	-8.75122
130	142	-8.1016
131	142	-7.29027
132	142	-6.51432
133	142	-5.71996
134	142	-5.00374
135	142	-4.36333
136	142	-3.63802
137	142	-3.11764
138	142	-2.62836
139	142	-2.23908
140	142	-1.89188
141	142	-1.67131

142	142	-1.53399
143	142	-1.39854
144	142	-1.31653
145	142	-1.29714
146	142	-1.29894
147	142	-1.32838
148	142	-1.37771
149	142	-1.44238
150	142	-1.53852
151	142	-1.66874
152	142	-1.83934
153	142	-2.0323
154	142	-2.19475
155	142	-2.32479
156	142	-2.42242
157	142	-2.50366
158	142	-2.58898
159	142	-2.74783
160	142	-2.84437
161	142	-2.837
162	142	-2.88419
163	142	-2.93962
164	142	-2.92459
165	142	-2.89421
166	142	-2.95438
167	142	-2.97689
168	142	-2.95586
169	142	-2.95084
170	142	-2.92144
171	142	-2.88386
172	142	-2.83082
173	142	-2.80263
174	142	-2.758
175	142	-2.71382
176	142	-2.66213
177	142	-2.60451
178	142	-2.54298
179	142	-2.50555
180	142	-2.47425
-180	143	-1.94091
-179	143	-1.85308
-178	143	-1.79724
-177	143	-1.71853
-176	143	-1.63208
-175	143	-1.53155
-174	143	-1.405
-173	143	-1.27287
-172	143	-1.13624
-171	143	-0.983885
-170	143	-0.824561
-169	143	-0.671627
-168	143	-0.545761
-167	143	-0.452064
-166	143	-0.371531
-165	143	-0.280429
-164	143	-0.200902
-163	143	-0.100254
-162	143	-0.0573653
-161	143	-0.0187053
-160	143	-0.00619496
-159	143	-0.00166856
-158	143	-0.067277
-157	143	-0.157612
-156	143	-0.221109
-155	143	-0.349791
-154	143	-0.50802
-153	143	-0.698308
-152	143	-0.965934
-151	143	-1.28504
-150	143	-1.63988
-149	143	-2.03982
-148	143	-2.52808
-147	143	-3.07588
-146	143	-3.63572
-145	143	-4.22002
-144	143	-4.83168
-143	143	-5.42098
-142	143	-5.92574
-141	143	-6.26282
-140	143	-6.35772
-139	143	-6.28228
-138	143	-5.99499
-137	143	-5.51995
-136	143	-4.945
-135	143	-4.32408
-134	143	-3.75658
-133	143	-3.15206
-132	143	-2.70535
-131	143	-2.22913
-130	143	-1.92637
-129	143	-1.72183
-128	143	-1.65902
-127	143	-1.65244
-126	143	-1.77669
-125	143	-2.02031

-124	143	-2.41665
-123	143	-2.92321
-122	143	-3.5969
-121	143	-4.50345
-120	143	-5.59791
-119	143	-6.91111
-118	143	-8.48859
-117	143	-10.3422
-116	143	-12.1324
-115	143	-13.1437
-114	143	-12.5612
-113	143	-11.0057
-112	143	-9.26303
-111	143	-7.70368
-110	143	-6.32872
-109	143	-5.23015
-108	143	-4.45736
-107	143	-3.91822
-106	143	-3.57936
-105	143	-3.45351
-104	143	-3.52635
-103	143	-3.79631
-102	143	-4.36869
-101	143	-5.12167
-100	143	-6.1549
-99	143	-7.55301
-98	143	-9.40266
-97	143	-11.8038
-96	143	-15.1528
-95	143	-18.9795
-94	143	-18.779
-93	143	-14.898
-92	143	-12.9579
-91	143	-10.397
-90	143	-8.52248
-89	143	-7.11041
-88	143	-6.04947
-87	143	-5.4048
-86	143	-4.85823
-85	143	-4.54628
-84	143	-4.46151
-83	143	-4.58346
-82	143	-4.91982
-81	143	-5.47218
-80	143	-6.26598
-79	143	-7.35199
-78	143	-8.79343
-77	143	-10.6447
-76	143	-12.9358
-75	143	-15.6464
-74	143	-17.4968
-73	143	-16.3377
-72	143	-13.4765
-71	143	-11.7634
-70	143	-10.1903
-69	143	-8.55504
-68	143	-7.11239
-67	143	-6.05429
-66	143	-5.30005
-65	143	-4.75506
-64	143	-4.34503
-63	143	-4.13936
-62	143	-4.08144
-61	143	-4.17524
-60	143	-4.40803
-59	143	-4.77391
-58	143	-5.24453
-57	143	-5.75662
-56	143	-6.40926
-55	143	-7.12602
-54	143	-7.90904
-53	143	-8.5208
-52	143	-9.01373
-51	143	-9.20178
-50	143	-9.0337
-49	143	-8.5381
-48	143	-7.83298
-47	143	-7.00166
-46	143	-6.13856
-45	143	-5.38213
-44	143	-4.68884
-43	143	-4.00347
-42	143	-3.43775
-41	143	-2.96449
-40	143	-2.56665
-39	143	-2.29477
-38	143	-2.02113
-37	143	-1.83232
-36	143	-1.61276
-35	143	-1.47816
-34	143	-1.37904
-33	143	-1.31891
-32	143	-1.26858
-31	143	-1.25774
-30	143	-1.27739

-29	143	-1.33045
-28	143	-1.44994
-27	143	-1.58902
-26	143	-1.70236
-25	143	-1.76671
-24	143	-1.82674
-23	143	-1.86363
-22	143	-1.94421
-21	143	-2.06539
-20	143	-2.13405
-19	143	-2.12289
-18	143	-2.18645
-17	143	-2.17607
-16	143	-2.12536
-15	143	-2.21688
-14	143	-2.22344
-13	143	-2.2281
-12	143	-2.24495
-11	143	-2.23889
-10	143	-2.23202
-9	143	-2.21558
-8	143	-2.1729
-7	143	-2.14988
-6	143	-2.11376
-5	143	-2.03856
-4	143	-2.04362
-3	143	-1.98203
-2	143	-1.88256
-1	143	-1.82594
0	143	-1.77226
1	143	-1.72548
2	143	-1.67011
3	143	-1.58568
4	143	-1.49045
5	143	-1.3884
6	143	-1.26365
7	143	-1.14993
8	143	-1.0221
9	143	-0.873752
10	143	-0.735128
11	143	-0.621399
12	143	-0.486554
13	143	-0.400539
14	143	-0.34099
15	143	-0.273467
16	143	-0.209465
17	143	-0.149292
18	143	-0.105307
19	143	-0.0808235
20	143	-0.0665919
21	143	-0.0771444
22	143	-0.159874
23	143	-0.24114
24	143	-0.289317
25	143	-0.405739
26	143	-0.581967
27	143	-0.773397
28	143	-1.0055
29	143	-1.29558
30	143	-1.65795
31	143	-2.06642
32	143	-2.52717
33	143	-3.05829
34	143	-3.62804
35	143	-4.24379
36	143	-4.8673
37	143	-5.48587
38	143	-6.03329
39	143	-6.50116
40	143	-6.6856
41	143	-6.64729
42	143	-6.41763
43	143	-5.99139
44	143	-5.44176
45	143	-4.80722
46	143	-4.24834
47	143	-3.63653
48	143	-3.18268
49	143	-2.72503
50	143	-2.38501
51	143	-2.15565
52	143	-2.03702
53	143	-2.0209
54	143	-2.12408
55	143	-2.32501
56	143	-2.66161
57	143	-3.10916
58	143	-3.73662
59	143	-4.60955
60	143	-5.6536
61	143	-6.90716
62	143	-8.46901
63	143	-10.2558
64	143	-12.1975
65	143	-13.2396

66	143	-12.9387
67	143	-11.4856
68	143	-9.72998
69	143	-8.13179
70	143	-6.68755
71	143	-5.57293
72	143	-4.79861
73	143	-4.21916
74	143	-3.83418
75	143	-3.66134
76	143	-3.68438
77	143	-3.88994
78	143	-4.28867
79	143	-4.87238
80	143	-5.69324
81	143	-6.82581
82	143	-8.26019
83	143	-10.2269
84	143	-12.7513
85	143	-15.8755
86	143	-18.3341
87	143	-17.0136
88	143	-13.9682
89	143	-11.3733
90	143	-9.31769
91	143	-7.78347
92	143	-6.67231
93	143	-5.91001
94	143	-5.35982
95	143	-5.0463
96	143	-4.9539
97	143	-4.69249
98	143	-5.0395
99	143	-5.51723
100	143	-6.16334
101	143	-7.19349
102	143	-8.50504
103	143	-10.1881
104	143	-12.3586
105	143	-15.185
106	143	-17.8356
107	143	-17.6796
108	143	-14.7972
109	143	-12.7958
110	143	-10.7844
111	143	-8.97943
112	143	-7.5032
113	143	-6.24381
114	143	-5.4825
115	143	-4.89122
116	143	-4.52415
117	143	-4.29108
118	143	-4.19578
119	143	-4.24688
120	143	-4.44943
121	143	-4.7694
122	143	-5.23268
123	143	-5.76182
124	143	-6.41616
125	143	-7.11555
126	143	-7.82398
127	143	-8.472
128	143	-8.86983
129	143	-9.00255
130	143	-8.83162
131	143	-8.3311
132	143	-7.59672
133	143	-6.86904
134	143	-6.10961
135	143	-5.42583
136	143	-4.72584
137	143	-3.99598
138	143	-3.33236
139	143	-2.86757
140	143	-2.46947
141	143	-2.16041
142	143	-1.87428
143	143	-1.68152
144	143	-1.47891
145	143	-1.33107
146	143	-1.25739
147	143	-1.20859
148	143	-1.17704
149	143	-1.16809
150	143	-1.19146
151	143	-1.2521
152	143	-1.38876
153	143	-1.54474
154	143	-1.64886
155	143	-1.70751
156	143	-1.73834
157	143	-1.80224
158	143	-1.86789
159	143	-2.02428
160	143	-2.09501

161	143	-2.11286
162	143	-2.17267
163	143	-2.19917
164	143	-2.19897
165	143	-2.26562
166	143	-2.30164
167	143	-2.33398
168	143	-2.34726
169	143	-2.37198
170	143	-2.35593
171	143	-2.32827
172	143	-2.30538
173	143	-2.29462
174	143	-2.26801
175	143	-2.23038
176	143	-2.17463
177	143	-2.11648
178	143	-2.05621
179	143	-2.00981
180	143	-1.94091
-180	144	-1.35289
-179	144	-1.27611
-178	144	-1.23644
-177	144	-1.16858
-176	144	-1.07666
-175	144	-0.977511
-174	144	-0.885854
-173	144	-0.783171
-172	144	-0.674398
-171	144	-0.521613
-170	144	-0.38095
-169	144	-0.306663
-168	144	-0.176804
-167	144	-0.100087
-166	144	-0.0462801
-165	144	-0.0150087
-164	144	0.0273192
-163	144	0.0222654
-162	144	0.0277786
-161	144	0.00466831
-160	144	-0.022765
-159	144	-0.0644787
-158	144	-0.15367
-157	144	-0.322157
-156	144	-0.479895
-155	144	-0.659401
-154	144	-0.895828
-153	144	-1.15263
-152	144	-1.45488
-151	144	-1.85025
-150	144	-2.30128
-149	144	-2.78174
-148	144	-3.29877
-147	144	-3.84203
-146	144	-4.47599
-145	144	-5.08463
-144	144	-5.63878
-143	144	-6.10895
-142	144	-6.40212
-141	144	-6.48011
-140	144	-6.31838
-139	144	-5.97677
-138	144	-5.48711
-137	144	-4.91919
-136	144	-4.33691
-135	144	-3.76222
-134	144	-3.19768
-133	144	-2.71882
-132	144	-2.30582
-131	144	-1.99497
-130	144	-1.7662
-129	144	-1.62634
-128	144	-1.63148
-127	144	-1.72522
-126	144	-1.92683
-125	144	-2.24382
-124	144	-2.6688
-123	144	-3.26827
-122	144	-4.07145
-121	144	-5.0001
-120	144	-6.19891
-119	144	-7.62916
-118	144	-9.28655
-117	144	-11.2172
-116	144	-12.9372
-115	144	-13.4843
-114	144	-12.5408
-113	144	-11.3714
-112	144	-9.31531
-111	144	-7.56551
-110	144	-6.22606
-109	144	-5.28267
-108	144	-4.5752
-107	144	-4.10506
-106	144	-3.82758

-105	144	-3.72946
-104	144	-3.80871
-103	144	-4.15036
-102	144	-4.70481
-101	144	-5.49938
-100	144	-6.56885
-99	144	-8.00273
-98	144	-9.92248
-97	144	-12.4975
-96	144	-16.0348
-95	144	-19.7202
-94	144	-18.7073
-93	144	-14.8184
-92	144	-12.943
-91	144	-10.407
-90	144	-8.50758
-89	144	-7.11531
-88	144	-6.08883
-87	144	-5.36968
-86	144	-4.8845
-85	144	-4.5481
-84	144	-4.40944
-83	144	-4.46239
-82	144	-4.72501
-81	144	-5.19922
-80	144	-5.90278
-79	144	-6.85222
-78	144	-8.09267
-77	144	-9.63342
-76	144	-11.6232
-75	144	-14.1411
-74	144	-16.6208
-73	144	-17.2751
-72	144	-15.2583
-71	144	-12.8362
-70	144	-11.4262
-69	144	-9.14493
-68	144	-7.71153
-67	144	-6.56856
-66	144	-5.67727
-65	144	-4.99524
-64	144	-4.48489
-63	144	-4.18124
-62	144	-4.0235
-61	144	-4.04149
-60	144	-4.13311
-59	144	-4.36321
-58	144	-4.71615
-57	144	-5.11558
-56	144	-5.65726
-55	144	-6.28729
-54	144	-6.99075
-53	144	-7.69918
-52	144	-8.43099
-51	144	-8.96445
-50	144	-9.27128
-49	144	-9.28446
-48	144	-8.90554
-47	144	-8.14815
-46	144	-7.38996
-45	144	-6.5976
-44	144	-5.79779
-43	144	-5.09515
-42	144	-4.37193
-41	144	-3.78957
-40	144	-3.27766
-39	144	-2.84836
-38	144	-2.49443
-37	144	-2.17737
-36	144	-1.91973
-35	144	-1.70661
-34	144	-1.49976
-33	144	-1.33049
-32	144	-1.21909
-31	144	-1.15248
-30	144	-1.11604
-29	144	-1.1186
-28	144	-1.1654
-27	144	-1.23215
-26	144	-1.28305
-25	144	-1.29112
-24	144	-1.29353
-23	144	-1.28016
-22	144	-1.37905
-21	144	-1.44989
-20	144	-1.4623
-19	144	-1.4454
-18	144	-1.45407
-17	144	-1.44488
-16	144	-1.51386
-15	144	-1.52632
-14	144	-1.51116
-13	144	-1.52519
-12	144	-1.60956
-11	144	-1.59005

-10	144	-1.577
-9	144	-1.54609
-8	144	-1.53545
-7	144	-1.50656
-6	144	-1.45161
-5	144	-1.39214
-4	144	-1.36219
-3	144	-1.30655
-2	144	-1.25546
-1	144	-1.19769
0	144	-1.14621
1	144	-1.09455
2	144	-1.05199
3	144	-0.984
4	144	-0.909863
5	144	-0.827588
6	144	-0.715676
7	144	-0.635725
8	144	-0.533183
9	144	-0.402674
10	144	-0.269538
11	144	-0.162834
12	144	-0.0805903
13	144	-0.0299799
14	144	3.91E-05
15	144	0.00975592
16	144	0.0206685
17	144	0.0236347
18	144	0.0155792
19	144	-0.00984639
20	144	-0.0583745
21	144	-0.115604
22	144	-0.228555
23	144	-0.398263
24	144	-0.527408
25	144	-0.680375
26	144	-0.934728
27	144	-1.20771
28	144	-1.52839
29	144	-1.90925
30	144	-2.34707
31	144	-2.82903
32	144	-3.33859
33	144	-3.90431
34	144	-4.51397
35	144	-5.12466
36	144	-5.78307
37	144	-6.32031
38	144	-6.70487
39	144	-6.86684
40	144	-6.75046
41	144	-6.35294
42	144	-5.94355
43	144	-5.33027
44	144	-4.7352
45	144	-4.17921
46	144	-3.62147
47	144	-3.12969
48	144	-2.72769
49	144	-2.39824
50	144	-2.15406
51	144	-2.01558
52	144	-1.95338
53	144	-2.01126
54	144	-2.17662
55	144	-2.4664
56	144	-2.86253
57	144	-3.40554
58	144	-4.15505
59	144	-5.04962
60	144	-6.2075
61	144	-7.59679
62	144	-9.2601
63	144	-11.1369
64	144	-12.8911
65	144	-13.7775
66	144	-13.1182
67	144	-11.4998
68	144	-9.69071
69	144	-7.97744
70	144	-6.61822
71	144	-5.64695
72	144	-4.92229
73	144	-4.38471
74	144	-4.03968
75	144	-3.89951
76	144	-3.94835
77	144	-4.1743
78	144	-4.55995
79	144	-5.22617
80	144	-6.0183
81	144	-7.16236
82	144	-8.64161
83	144	-10.5408
84	144	-13.0172

85	144	-16.0192
86	144	-18.1816
87	144	-16.8422
88	144	-13.9873
89	144	-11.4062
90	144	-9.35574
91	144	-7.81795
92	144	-6.72701
93	144	-5.94698
94	144	-5.37841
95	144	-5.0421
96	144	-4.90894
97	144	-4.5944
98	144	-4.83286
99	144	-5.23883
100	144	-5.88136
101	144	-6.64134
102	144	-7.7507
103	144	-9.20494
104	144	-11.199
105	144	-13.6719
106	144	-16.5891
107	144	-18.3231
108	144	-16.4465
109	144	-13.7264
110	144	-12.1292
111	144	-9.58036
112	144	-8.05871
113	144	-6.85488
114	144	-5.79895
115	144	-5.13166
116	144	-4.64473
117	144	-4.32551
118	144	-4.14826
119	144	-4.09336
120	144	-4.17157
121	144	-4.36146
122	144	-4.71333
123	144	-5.09503
124	144	-5.60909
125	144	-6.19937
126	144	-6.8726
127	144	-7.59757
128	144	-8.24434
129	144	-8.75638
130	144	-9.04238
131	144	-9.0918
132	144	-8.75179
133	144	-8.01112
134	144	-7.23486
135	144	-6.47318
136	144	-5.78921
137	144	-5.05416
138	144	-4.32038
139	144	-3.74467
140	144	-3.17699
141	144	-2.74476
142	144	-2.37419
143	144	-2.07734
144	144	-1.79158
145	144	-1.57109
146	144	-1.3619
147	144	-1.21624
148	144	-1.11357
149	144	-1.06576
150	144	-1.03323
151	144	-1.02845
152	144	-1.07998
153	144	-1.1414
154	144	-1.19231
155	144	-1.23263
156	144	-1.22507
157	144	-1.23087
158	144	-1.29784
159	144	-1.39902
160	144	-1.41721
161	144	-1.44347
162	144	-1.47139
163	144	-1.46507
164	144	-1.54667
165	144	-1.5867
166	144	-1.60388
167	144	-1.65236
168	144	-1.67289
169	144	-1.68447
170	144	-1.71849
171	144	-1.70696
172	144	-1.69159
173	144	-1.65814
174	144	-1.62868
175	144	-1.60116
176	144	-1.58367
177	144	-1.5373
178	144	-1.48115
179	144	-1.42071

180	144	-1.35289
-180	145	-0.835197
-179	145	-0.761795
-178	145	-0.728282
-177	145	-0.675137
-176	145	-0.591589
-175	145	-0.514474
-174	145	-0.447181
-173	145	-0.392794
-172	145	-0.291554
-171	145	-0.215623
-170	145	-0.110014
-169	145	-0.0235943
-168	145	0.0284346
-167	145	0.0618835
-166	145	0.0873304
-165	145	0.109214
-164	145	0.0695595
-163	145	0.0257172
-162	145	-0.015905
-161	145	-0.102112
-160	145	-0.227212
-159	145	-0.350702
-158	145	-0.489806
-157	145	-0.688697
-156	145	-0.906133
-155	145	-1.12079
-154	145	-1.42385
-153	145	-1.77433
-152	145	-2.16146
-151	145	-2.60763
-150	145	-3.10316
-149	145	-3.63285
-148	145	-4.20898
-147	145	-4.77742
-146	145	-5.33849
-145	145	-5.82811
-144	145	-6.21652
-143	145	-6.46873
-142	145	-6.50955
-141	145	-6.29055
-140	145	-5.92878
-139	145	-5.38863
-138	145	-4.81591
-137	145	-4.22895
-136	145	-3.66845
-135	145	-3.11598
-134	145	-2.68136
-133	145	-2.25515
-132	145	-1.99518
-131	145	-1.75003
-130	145	-1.60621
-129	145	-1.587
-128	145	-1.66594
-127	145	-1.82507
-126	145	-2.08753
-125	145	-2.46791
-124	145	-3.01189
-123	145	-3.71792
-122	145	-4.54154
-121	145	-5.56443
-120	145	-6.82445
-119	145	-8.3932
-118	145	-10.2236
-117	145	-12.0944
-116	145	-13.499
-115	145	-13.5539
-114	145	-12.2708
-113	145	-10.9996
-112	145	-9.01585
-111	145	-7.40147
-110	145	-6.22483
-109	145	-5.35015
-108	145	-4.69492
-107	145	-4.25785
-106	145	-4.01996
-105	145	-3.96518
-104	145	-4.09756
-103	145	-4.51483
-102	145	-5.09702
-101	145	-5.91451
-100	145	-6.99583
-99	145	-8.46045
-98	145	-10.4965
-97	145	-13.2416
-96	145	-17.0417
-95	145	-21.0572
-94	145	-19.1799
-93	145	-14.9274
-92	145	-13.1322
-91	145	-10.5249
-90	145	-8.64929
-89	145	-7.24913
-88	145	-6.1985
-87	145	-5.45964

-86	145	-4.95877
-85	145	-4.59718
-84	145	-4.43271
-83	145	-4.45576
-82	145	-4.66133
-81	145	-5.0179
-80	145	-5.60374
-79	145	-6.42952
-78	145	-7.47308
-77	145	-8.82895
-76	145	-10.6538
-75	145	-12.8245
-74	145	-15.4659
-73	145	-17.5815
-72	145	-16.9506
-71	145	-14.3165
-70	145	-12.0857
-69	145	-10.3094
-68	145	-8.5532
-67	145	-7.19682
-66	145	-6.15285
-65	145	-5.34443
-64	145	-4.76857
-63	145	-4.4
-62	145	-4.11914
-61	145	-3.97753
-60	145	-3.97819
-59	145	-4.10239
-58	145	-4.3036
-57	145	-4.66776
-56	145	-4.99929
-55	145	-5.56737
-54	145	-6.13076
-53	145	-6.77772
-52	145	-7.55416
-51	145	-8.26185
-50	145	-8.85164
-49	145	-9.2351
-48	145	-9.31601
-47	145	-9.09946
-46	145	-8.47157
-45	145	-7.7929
-44	145	-7.05563
-43	145	-6.36416
-42	145	-5.65473
-41	145	-4.8159
-40	145	-4.15883
-39	145	-3.67897
-38	145	-3.27976
-37	145	-2.82776
-36	145	-2.46745
-35	145	-2.1328
-34	145	-1.86337
-33	145	-1.63093
-32	145	-1.41764
-31	145	-1.26657
-30	145	-1.16156
-29	145	-1.11932
-28	145	-1.0874
-27	145	-1.08153
-26	145	-1.05823
-25	145	-1.01247
-24	145	-0.936258
-23	145	-0.922535
-22	145	-0.994779
-21	145	-1.01908
-20	145	-0.995202
-19	145	-0.92347
-18	145	-0.898396
-17	145	-0.952746
-16	145	-0.975924
-15	145	-0.973995
-14	145	-0.97022
-13	145	-0.984332
-12	145	-0.991915
-11	145	-1.01486
-10	145	-1.01023
-9	145	-0.979504
-8	145	-0.971302
-7	145	-0.931242
-6	145	-0.893296
-5	145	-0.877411
-4	145	-0.816678
-3	145	-0.766614
-2	145	-0.718943
-1	145	-0.666306
0	145	-0.608201
1	145	-0.552488
2	145	-0.511996
3	145	-0.465887
4	145	-0.403175
5	145	-0.339708
6	145	-0.264568
7	145	-0.195941
8	145	-0.142331

9	145	-0.0732704
10	145	0.00263644
11	145	0.0710853
12	145	0.12955
13	145	0.166482
14	145	0.170329
15	145	0.148432
16	145	0.101112
17	145	0.0306007
18	145	-0.0473577
19	145	-0.137829
20	145	-0.232615
21	145	-0.374843
22	145	-0.529218
23	145	-0.753306
24	145	-0.982253
25	145	-1.20445
26	145	-1.4975
27	145	-1.86313
28	145	-2.23856
29	145	-2.70114
30	145	-3.18781
31	145	-3.74378
32	145	-4.32625
33	145	-4.90881
34	145	-5.54164
35	145	-6.09183
36	145	-6.54172
37	145	-6.83593
38	145	-6.90802
39	145	-6.73923
40	145	-6.3719
41	145	-5.83229
42	145	-5.24402
43	145	-4.66511
44	145	-4.06447
45	145	-3.53181
46	145	-3.03597
47	145	-2.62052
48	145	-2.31456
49	145	-2.06258
50	145	-1.88947
51	145	-1.82929
52	145	-1.85495
53	145	-2.00078
54	145	-2.25052
55	145	-2.59569
56	145	-3.09066
57	145	-3.74842
58	145	-4.53681
59	145	-5.5138
60	145	-6.72955
61	145	-8.22249
62	145	-10.0123
63	145	-11.9052
64	145	-13.5514
65	145	-13.9737
66	145	-13.0125
67	145	-11.3674
68	145	-9.50949
69	145	-7.86632
70	145	-6.65603
71	145	-5.74503
72	145	-5.05765
73	145	-4.58292
74	145	-4.28554
75	145	-4.14631
76	145	-4.23249
77	145	-4.47524
78	145	-4.91731
79	145	-5.52625
80	145	-6.37431
81	145	-7.51345
82	145	-9.00551
83	145	-11.0001
84	145	-13.5561
85	145	-16.5805
86	145	-18.5593
87	145	-16.9114
88	145	-13.9947
89	145	-11.399
90	145	-9.39732
91	145	-7.93116
92	145	-6.81578
93	145	-6.02908
94	145	-5.43971
95	145	-5.07118
96	145	-4.91578
97	145	-4.96223
98	145	-4.71734
99	145	-5.05121
100	145	-5.52092
101	145	-6.26456
102	145	-7.17606
103	145	-8.55801

104	145	-10.2768
105	145	-12.4719
106	145	-15.2272
107	145	-17.8158
108	145	-17.6909
109	145	-15.0901
110	145	-12.6983
111	145	-10.7811
112	145	-8.933
113	145	-7.51756
114	145	-6.30489
115	145	-5.50953
116	145	-4.91921
117	145	-4.49702
118	145	-4.2139
119	145	-4.07431
120	145	-4.04286
121	145	-4.13638
122	145	-4.31034
123	145	-4.57471
124	145	-4.98145
125	145	-5.47838
126	145	-6.07188
127	145	-6.78935
128	145	-7.53544
129	145	-8.17325
130	145	-8.66154
131	145	-8.99947
132	145	-9.11642
133	145	-8.89113
134	145	-8.33312
135	145	-7.64824
136	145	-6.91093
137	145	-6.16116
138	145	-5.48021
139	145	-4.72999
140	145	-4.10607
141	145	-3.63135
142	145	-3.14238
143	145	-2.72082
144	145	-2.35141
145	145	-2.03115
146	145	-1.77195
147	145	-1.49285
148	145	-1.30023
149	145	-1.15598
150	145	-1.03714
151	145	-0.992678
152	145	-0.993702
153	145	-1.00453
154	145	-0.982136
155	145	-0.933346
156	145	-0.899825
157	145	-0.891716
158	145	-0.957187
159	145	-0.933048
160	145	-0.912089
161	145	-0.905113
162	145	-0.902816
163	145	-0.965657
164	145	-1.0012
165	145	-1.01376
166	145	-1.04509
167	145	-1.08677
168	145	-1.09383
169	145	-1.12608
170	145	-1.13607
171	145	-1.13157
172	145	-1.11306
173	145	-1.09332
174	145	-1.07666
175	145	-1.07615
176	145	-1.04408
177	145	-1.00741
178	145	-0.951382
179	145	-0.893702
180	145	-0.835197
-180	146	-0.408957
-179	146	-0.38304
-178	146	-0.364278
-177	146	-0.329544
-176	146	-0.269612
-175	146	-0.221881
-174	146	-0.192248
-173	146	-0.144393
-172	146	-0.112402
-171	146	-0.0662687
-170	146	-0.0366693
-169	146	0.0186355
-168	146	0.0661331
-167	146	0.0767323
-166	146	0.0500354
-165	146	-0.0126163
-164	146	-0.0843194
-163	146	-0.180305

-162	146	-0.302488
-161	146	-0.437616
-160	146	-0.602207
-159	146	-0.783945
-158	146	-0.982253
-157	146	-1.23101
-156	146	-1.55548
-155	146	-1.85503
-154	146	-2.16807
-153	146	-2.5567
-152	146	-3.00705
-151	146	-3.50842
-150	146	-4.06524
-149	146	-4.62694
-148	146	-5.16881
-147	146	-5.65468
-146	146	-6.07061
-145	146	-6.33562
-144	146	-6.45169
-143	146	-6.39266
-142	146	-6.13167
-141	146	-5.72491
-140	146	-5.22215
-139	146	-4.66068
-138	146	-4.02985
-137	146	-3.47564
-136	146	-2.98676
-135	146	-2.57265
-134	146	-2.19844
-133	146	-1.90847
-132	146	-1.67788
-131	146	-1.53817
-130	146	-1.495
-129	146	-1.57844
-128	146	-1.72878
-127	146	-1.9582
-126	146	-2.27778
-125	146	-2.78976
-124	146	-3.38276
-123	146	-4.12023
-122	146	-5.06058
-121	146	-6.17772
-120	146	-7.51255
-119	146	-9.14476
-118	146	-11.0281
-117	146	-12.7103
-116	146	-13.7608
-115	146	-13.3639
-114	146	-12.3865
-113	146	-10.3799
-112	146	-8.59416
-111	146	-7.23103
-110	146	-6.16173
-109	146	-5.37386
-108	146	-4.80028
-107	146	-4.41394
-106	146	-4.21929
-105	146	-4.20871
-104	146	-4.36919
-103	146	-4.81839
-102	146	-5.43334
-101	146	-6.27201
-100	146	-7.42962
-99	146	-8.98549
-98	146	-11.0968
-97	146	-13.9079
-96	146	-17.9547
-95	146	-22.6595
-94	146	-19.9754
-93	146	-17.3107
-92	146	-13.4992
-91	146	-10.8225
-90	146	-8.91701
-89	146	-7.48937
-88	146	-6.41784
-87	146	-5.64478
-86	146	-5.09079
-85	146	-4.73576
-84	146	-4.52254
-83	146	-4.49421
-82	146	-4.61799
-81	146	-4.94969
-80	146	-5.49643
-79	146	-6.16215
-78	146	-7.07604
-77	146	-8.28996
-76	146	-9.83795
-75	146	-11.8598
-74	146	-14.4496
-73	146	-17.0473
-72	146	-18.2233
-71	146	-16.1402
-70	146	-13.309
-69	146	-11.2287
-68	146	-9.5417

-67	146	-8.04021
-66	146	-6.79427
-65	146	-5.84048
-64	146	-5.1325
-63	146	-4.64781
-62	146	-4.28794
-61	146	-4.04777
-60	146	-3.96248
-59	146	-3.98855
-58	146	-4.02984
-57	146	-4.19889
-56	146	-4.4973
-55	146	-4.8932
-54	146	-5.33313
-53	146	-5.88034
-52	146	-6.60631
-51	146	-7.3364
-50	146	-7.96749
-49	146	-8.51424
-48	146	-8.99937
-47	146	-9.18421
-46	146	-9.08882
-45	146	-8.72937
-44	146	-8.18886
-43	146	-7.49461
-42	146	-6.77374
-41	146	-6.12385
-40	146	-5.41683
-39	146	-4.68184
-38	146	-4.19861
-37	146	-3.69412
-36	146	-3.23614
-35	146	-2.83005
-34	146	-2.45595
-33	146	-2.15382
-32	146	-1.88726
-31	146	-1.65683
-30	146	-1.48228
-29	146	-1.35982
-28	146	-1.2712
-27	146	-1.18095
-26	146	-1.0914
-25	146	-0.977542
-24	146	-0.87886
-23	146	-0.83759
-22	146	-0.821693
-21	146	-0.753124
-20	146	-0.659089
-19	146	-0.615386
-18	146	-0.62351
-17	146	-0.606202
-16	146	-0.608914
-15	146	-0.619131
-14	146	-0.605583
-13	146	-0.572092
-12	146	-0.534274
-11	146	-0.539638
-10	146	-0.528627
-9	146	-0.501488
-8	146	-0.481419
-7	146	-0.441885
-6	146	-0.404349
-5	146	-0.37777
-4	146	-0.329228
-3	146	-0.299139
-2	146	-0.282379
-1	146	-0.242797
0	146	-0.211123
1	146	-0.184499
2	146	-0.177281
3	146	-0.118143
4	146	-0.0841852
5	146	-0.0449962
6	146	-0.0105504
7	146	0.0245891
8	146	0.0589174
9	146	0.0765358
10	146	0.09296
11	146	0.109668
12	146	0.13278
13	146	0.135876
14	146	0.0972976
15	146	0.0410761
16	146	-0.0406794
17	146	-0.153364
18	146	-0.286751
19	146	-0.435126
20	146	-0.617253
21	146	-0.83727
22	146	-1.04995
23	146	-1.31077
24	146	-1.68324
25	146	-1.96453
26	146	-2.29486
27	146	-2.71159

28	146	-3.1644
29	146	-3.64467
30	146	-4.23007
31	146	-4.79729
32	146	-5.38998
33	146	-5.9318
34	146	-6.40441
35	146	-6.74695
36	146	-6.93753
37	146	-6.91807
38	146	-6.67371
39	146	-6.21416
40	146	-5.65194
41	146	-5.08712
42	146	-4.50849
43	146	-3.95669
44	146	-3.40195
45	146	-2.93956
46	146	-2.54642
47	146	-2.22867
48	146	-1.98547
49	146	-1.81747
50	146	-1.73541
51	146	-1.74728
52	146	-1.86908
53	146	-2.07076
54	146	-2.38444
55	146	-2.8404
56	146	-3.40671
57	146	-4.09272
58	146	-4.98104
59	146	-6.04436
60	146	-7.33632
61	146	-8.91741
62	146	-10.7516
63	146	-12.5148
64	146	-13.9027
65	146	-13.9836
66	146	-12.7579
67	146	-10.8426
68	146	-9.08155
69	146	-7.72762
70	146	-6.62006
71	146	-5.82482
72	146	-5.24229
73	146	-4.79731
74	146	-4.57581
75	146	-4.46834
76	146	-4.51589
77	146	-4.77718
78	146	-5.24432
79	146	-5.89115
80	146	-6.76959
81	146	-7.93753
82	146	-9.50053
83	146	-11.47
84	146	-14.0441
85	146	-17.3119
86	146	-19.2243
87	146	-17.3461
88	146	-14.2471
89	146	-11.6159
90	146	-9.62478
91	146	-8.13356
92	146	-7.01971
93	146	-6.18266
94	146	-5.56405
95	146	-5.14147
96	146	-4.9269
97	146	-4.86789
98	146	-4.56242
99	146	-4.85574
100	146	-5.30193
101	146	-5.96422
102	146	-6.84939
103	146	-8.00302
104	146	-9.56162
105	146	-11.5001
106	146	-13.9371
107	146	-16.5155
108	146	-18.0629
109	146	-16.6254
110	146	-13.8363
111	146	-11.6727
112	146	-9.96775
113	146	-8.38975
114	146	-7.13299
115	146	-6.03556
116	146	-5.30496
117	146	-4.78016
118	146	-4.40882
119	146	-4.18749
120	146	-4.06571
121	146	-4.05599
122	146	-4.11352

123	146	-4.28817
124	146	-4.52396
125	146	-4.85094
126	146	-5.31446
127	146	-5.88783
128	146	-6.53307
129	146	-7.22177
130	146	-7.89563
131	146	-8.47538
132	146	-8.88741
133	146	-9.07664
134	146	-8.96973
135	146	-8.58443
136	146	-7.93834
137	146	-7.24501
138	146	-6.55541
139	146	-5.91777
140	146	-5.23464
141	146	-4.60473
142	146	-4.12487
143	146	-3.63116
144	146	-3.17693
145	146	-2.69287
146	146	-2.33153
147	146	-2.03063
148	146	-1.79322
149	146	-1.54302
150	146	-1.34969
151	146	-1.22307
152	146	-1.14007
153	146	-1.07207
154	146	-0.999609
155	146	-0.917016
156	146	-0.819585
157	146	-0.761321
158	146	-0.759532
159	146	-0.692445
160	146	-0.618805
161	146	-0.611489
162	146	-0.630141
163	146	-0.626146
164	146	-0.611964
165	146	-0.621376
166	146	-0.63768
167	146	-0.640147
168	146	-0.638024
169	146	-0.640727
170	146	-0.640641
171	146	-0.627135
172	146	-0.641349
173	146	-0.616977
174	146	-0.595934
175	146	-0.587109
176	146	-0.559346
177	146	-0.528258
178	146	-0.501604
179	146	-0.467938
180	146	-0.408957
-180	147	-0.27579
-179	147	-0.229757
-178	147	-0.227758
-177	147	-0.20189
-176	147	-0.193137
-175	147	-0.17483
-174	147	-0.156954
-173	147	-0.150005
-172	147	-0.139276
-171	147	-0.151762
-170	147	-0.142122
-169	147	-0.143586
-168	147	-0.156562
-167	147	-0.181715
-166	147	-0.23896
-165	147	-0.331462
-164	147	-0.45973
-163	147	-0.626964
-162	147	-0.806304
-161	147	-0.99454
-160	147	-1.23467
-159	147	-1.50874
-158	147	-1.76487
-157	147	-2.01581
-156	147	-2.35812
-155	147	-2.75753
-154	147	-3.1226
-153	147	-3.56364
-152	147	-4.05891
-151	147	-4.57141
-150	147	-5.07066
-149	147	-5.5623
-148	147	-5.98629
-147	147	-6.31182
-146	147	-6.5064
-145	147	-6.4368
-144	147	-6.23295

-143	147	-5.8891
-142	147	-5.4357
-141	147	-4.86228
-140	147	-4.31469
-139	147	-3.8034
-138	147	-3.29906
-137	147	-2.81549
-136	147	-2.4165
-135	147	-2.08324
-134	147	-1.81717
-133	147	-1.61296
-132	147	-1.49209
-131	147	-1.42437
-130	147	-1.47796
-129	147	-1.64171
-128	147	-1.85593
-127	147	-2.17719
-126	147	-2.57081
-125	147	-3.14848
-124	147	-3.83238
-123	147	-4.65371
-122	147	-5.65085
-121	147	-6.84815
-120	147	-8.28591
-119	147	-9.93414
-118	147	-11.7034
-117	147	-13.0193
-116	147	-13.5048
-115	147	-13.2526
-114	147	-11.4769
-113	147	-9.6432
-112	147	-8.20549
-111	147	-6.98849
-110	147	-6.04591
-109	147	-5.31656
-108	147	-4.76198
-107	147	-4.46486
-106	147	-4.33574
-105	147	-4.3706
-104	147	-4.66079
-103	147	-5.07826
-102	147	-5.70729
-101	147	-6.57816
-100	147	-7.74052
-99	147	-9.26906
-98	147	-11.3477
-97	147	-14.3094
-96	147	-18.8911
-95	147	-25.2946
-94	147	-21.011
-93	147	-18.1428
-92	147	-13.9849
-91	147	-11.224
-90	147	-9.29038
-89	147	-7.82946
-88	147	-6.73698
-87	147	-5.96901
-86	147	-5.37082
-85	147	-4.95727
-84	147	-4.71182
-83	147	-4.61178
-82	147	-4.69772
-81	147	-4.93935
-80	147	-5.34579
-79	147	-5.95129
-78	147	-6.79137
-77	147	-7.85035
-76	147	-9.24932
-75	147	-11.0455
-74	147	-13.3594
-73	147	-15.9815
-72	147	-18.2944
-71	147	-17.622
-70	147	-14.8982
-69	147	-12.2817
-68	147	-10.3825
-67	147	-8.90738
-66	147	-7.63162
-65	147	-6.48472
-64	147	-5.65044
-63	147	-5.0295
-62	147	-4.55679
-61	147	-4.2204
-60	147	-3.99401
-59	147	-3.85879
-58	147	-3.8276
-57	147	-3.92035
-56	147	-4.14981
-55	147	-4.38578
-54	147	-4.67676
-53	147	-5.11305
-52	147	-5.6517
-51	147	-6.23211
-50	147	-6.9101
-49	147	-7.47727

-48	147	-8.11391
-47	147	-8.58705
-46	147	-8.92744
-45	147	-9.06112
-44	147	-8.93374
-43	147	-8.50289
-42	147	-7.91878
-41	147	-7.25489
-40	147	-6.71747
-39	147	-6.20612
-38	147	-5.48212
-37	147	-4.85262
-36	147	-4.23891
-35	147	-3.76123
-34	147	-3.31245
-33	147	-2.91621
-32	147	-2.57922
-31	147	-2.29418
-30	147	-2.04251
-29	147	-1.8441
-28	147	-1.68145
-27	147	-1.53793
-26	147	-1.38079
-25	147	-1.22011
-24	147	-1.08736
-23	147	-1.00088
-22	147	-0.896087
-21	147	-0.731064
-20	147	-0.655131
-19	147	-0.642281
-18	147	-0.570158
-17	147	-0.505162
-16	147	-0.465638
-15	147	-0.444523
-14	147	-0.422542
-13	147	-0.381499
-12	147	-0.394895
-11	147	-0.356741
-10	147	-0.321803
-9	147	-0.293085
-8	147	-0.241903
-7	147	-0.212135
-6	147	-0.172317
-5	147	-0.15371
-4	147	-0.136065
-3	147	-0.100798
-2	147	-0.0827038
-1	147	-0.0708627
0	147	-0.0718478
1	147	-0.0498283
2	147	-0.0322971
3	147	-0.0343748
4	147	-0.0271253
5	147	-0.025956
6	147	-0.0198175
7	147	-0.0167081
8	147	-0.00437816
9	147	-0.0407882
10	147	-0.0587138
11	147	-0.0379646
12	147	-0.0976879
13	147	-0.143854
14	147	-0.211325
15	147	-0.304129
16	147	-0.420421
17	147	-0.584796
18	147	-0.781998
19	147	-1.00447
20	147	-1.25728
21	147	-1.54853
22	147	-1.85138
23	147	-2.1575
24	147	-2.54587
25	147	-2.9904
26	147	-3.38123
27	147	-3.8607
28	147	-4.36864
29	147	-4.89017
30	147	-5.38495
31	147	-5.88392
32	147	-6.34909
33	147	-6.72372
34	147	-6.94776
35	147	-6.97896
36	147	-6.80809
37	147	-6.45605
38	147	-5.97508
39	147	-5.41378
40	147	-4.8653
41	147	-4.27947
42	147	-3.69137
43	147	-3.21712
44	147	-2.78942
45	147	-2.41022
46	147	-2.11489

47	147	-1.89787
48	147	-1.75649
49	147	-1.67956
50	147	-1.69001
51	147	-1.76682
52	147	-1.94649
53	147	-2.23385
54	147	-2.64203
55	147	-3.14474
56	147	-3.78554
57	147	-4.56505
58	147	-5.51248
59	147	-6.64722
60	147	-8.02099
61	147	-9.61407
62	147	-11.3243
63	147	-12.9138
64	147	-13.7775
65	147	-13.4607
66	147	-11.8847
67	147	-10.1103
68	147	-8.66435
69	147	-7.46053
70	147	-6.51479
71	147	-5.7901
72	147	-5.20846
73	147	-4.85092
74	147	-4.65403
75	147	-4.61743
76	147	-4.72595
77	147	-5.0238
78	147	-5.51554
79	147	-6.17873
80	147	-7.15053
81	147	-8.38782
82	147	-9.90186
83	147	-11.9646
84	147	-14.7624
85	147	-18.372
86	147	-20.7973
87	147	-18.2459
88	147	-14.7969
89	147	-12.0607
90	147	-10.0214
91	147	-8.45527
92	147	-7.26026
93	147	-6.42038
94	147	-5.74425
95	147	-5.2548
96	147	-5.00558
97	147	-4.89695
98	147	-4.56065
99	147	-4.82672
100	147	-5.29748
101	147	-5.92193
102	147	-6.70082
103	147	-7.64487
104	147	-8.93614
105	147	-10.5628
106	147	-12.5829
107	147	-15.0042
108	147	-17.3414
109	147	-17.6779
110	147	-15.5384
111	147	-12.9281
112	147	-10.9785
113	147	-9.47401
114	147	-8.06539
115	147	-6.75676
116	147	-5.87414
117	147	-5.19203
118	147	-4.69253
119	147	-4.33073
120	147	-4.08032
121	147	-3.95292
122	147	-3.92034
123	147	-4.00418
124	147	-4.16913
125	147	-4.41534
126	147	-4.74897
127	147	-5.17713
128	147	-5.68788
129	147	-6.27299
130	147	-6.89125
131	147	-7.53706
132	147	-8.1212
133	147	-8.55858
134	147	-8.84598
135	147	-8.88627
136	147	-8.66864
137	147	-8.19248
138	147	-7.58985
139	147	-7.01377
140	147	-6.46495
141	147	-5.90286

142	147	-5.20946
143	147	-4.59937
144	147	-4.09064
145	147	-3.61082
146	147	-3.17915
147	147	-2.80699
148	147	-2.39879
149	147	-2.13702
150	147	-1.91008
151	147	-1.73997
152	147	-1.5541
153	147	-1.40895
154	147	-1.24836
155	147	-1.09365
156	147	-0.981887
157	147	-0.916048
158	147	-0.837878
159	147	-0.673275
160	147	-0.594446
161	147	-0.589365
162	147	-0.560143
163	147	-0.517218
164	147	-0.496613
165	147	-0.47677
166	147	-0.442304
167	147	-0.427419
168	147	-0.429648
169	147	-0.419266
170	147	-0.413091
171	147	-0.403137
172	147	-0.389079
173	147	-0.387306
174	147	-0.361036
175	147	-0.359039
176	147	-0.328033
177	147	-0.323879
178	147	-0.306097
179	147	-0.290773
180	147	-0.27579
-180	148	-0.320291
-179	148	-0.315813
-178	148	-0.329048
-177	148	-0.353234
-176	148	-0.364157
-175	148	-0.374182
-174	148	-0.385479
-173	148	-0.407248
-172	148	-0.434709
-171	148	-0.491151
-170	148	-0.529316
-169	148	-0.585436
-168	148	-0.653785
-167	148	-0.736429
-166	148	-0.844325
-165	148	-0.980761
-164	148	-1.13454
-163	148	-1.33007
-162	148	-1.55926
-161	148	-1.83012
-160	148	-2.11007
-159	148	-2.4265
-158	148	-2.75632
-157	148	-3.08399
-156	148	-3.48639
-155	148	-3.96303
-154	148	-4.3859
-153	148	-4.75561
-152	148	-5.13755
-151	148	-5.54871
-150	148	-5.91845
-149	148	-6.15543
-148	148	-6.3361
-147	148	-6.38932
-146	148	-6.26568
-145	148	-6.02657
-144	148	-5.57138
-143	148	-5.09018
-142	148	-4.55297
-141	148	-4.01372
-140	148	-3.50077
-139	148	-3.04348
-138	148	-2.60182
-137	148	-2.24926
-136	148	-1.94944
-135	148	-1.71718
-134	148	-1.53792
-133	148	-1.43518
-132	148	-1.37359
-131	148	-1.41325
-130	148	-1.56551
-129	148	-1.78797
-128	148	-2.11032
-127	148	-2.50002
-126	148	-2.98534
-125	148	-3.64083

-124	148	-4.38701
-123	148	-5.30299
-122	148	-6.39424
-121	148	-7.68426
-120	148	-9.16671
-119	148	-10.7342
-118	148	-12.1725
-117	148	-13.0459
-116	148	-12.952
-115	148	-12.1272
-114	148	-10.3908
-113	148	-8.88972
-112	148	-7.60094
-111	148	-6.58259
-110	148	-5.76104
-109	148	-5.15028
-108	148	-4.70973
-107	148	-4.46984
-106	148	-4.3815
-105	148	-4.45861
-104	148	-4.78102
-103	148	-5.25031
-102	148	-5.87536
-101	148	-6.74862
-100	148	-7.90452
-99	148	-9.44658
-98	148	-11.396
-97	148	-14.5577
-96	148	-19.2149
-95	148	-26.681
-94	148	-22.3613
-93	148	-19.3688
-92	148	-14.8152
-91	148	-11.8487
-90	148	-9.8046
-89	148	-8.31201
-88	148	-7.15392
-87	148	-6.29461
-86	148	-5.67066
-85	148	-5.20654
-84	148	-4.91831
-83	148	-4.78314
-82	148	-4.76721
-81	148	-4.9318
-80	148	-5.29538
-79	148	-5.85343
-78	148	-6.59142
-77	148	-7.57791
-76	148	-8.82094
-75	148	-10.3607
-74	148	-12.3361
-73	148	-14.6484
-72	148	-17.1814
-71	148	-18.0663
-70	148	-16.256
-69	148	-13.6885
-68	148	-11.4081
-67	148	-9.7519
-66	148	-8.47189
-65	148	-7.30287
-64	148	-6.30487
-63	148	-5.54067
-62	148	-4.92561
-61	148	-4.46343
-60	148	-4.1387
-59	148	-3.86658
-58	148	-3.75036
-57	148	-3.72942
-56	148	-3.84476
-55	148	-3.96709
-54	148	-4.17715
-53	148	-4.51003
-52	148	-4.89456
-51	148	-5.33415
-50	148	-5.80467
-49	148	-6.3279
-48	148	-7.00068
-47	148	-7.52827
-46	148	-8.01742
-45	148	-8.49869
-44	148	-8.73598
-43	148	-8.78252
-42	148	-8.58213
-41	148	-8.17212
-40	148	-7.69638
-39	148	-7.26232
-38	148	-6.75079
-37	148	-6.15533
-36	148	-5.51225
-35	148	-4.96682
-34	148	-4.46864
-33	148	-3.96272
-32	148	-3.58919
-31	148	-3.24616
-30	148	-2.91999

-29	148	-2.62219
-28	148	-2.3617
-27	148	-2.15215
-26	148	-1.95105
-25	148	-1.76988
-24	148	-1.63568
-23	148	-1.45722
-22	148	-1.21343
-21	148	-1.04389
-20	148	-0.971257
-19	148	-0.862122
-18	148	-0.775122
-17	148	-0.704609
-16	148	-0.641266
-15	148	-0.580809
-14	148	-0.501516
-13	148	-0.499154
-12	148	-0.461784
-11	148	-0.42751
-10	148	-0.378398
-9	148	-0.333864
-8	148	-0.307257
-7	148	-0.262617
-6	148	-0.220719
-5	148	-0.18421
-4	148	-0.179506
-3	148	-0.170356
-2	148	-0.157419
-1	148	-0.167885
0	148	-0.168476
1	148	-0.17596
2	148	-0.192372
3	148	-0.216165
4	148	-0.241651
5	148	-0.268828
6	148	-0.287916
7	148	-0.313749
8	148	-0.356919
9	148	-0.412273
10	148	-0.462866
11	148	-0.531515
12	148	-0.622403
13	148	-0.705058
14	148	-0.817183
15	148	-0.9581
16	148	-1.1275
17	148	-1.31911
18	148	-1.56425
19	148	-1.85979
20	148	-2.16827
21	148	-2.52679
22	148	-2.93884
23	148	-3.31079
24	148	-3.78743
25	148	-4.30751
26	148	-4.77163
27	148	-5.18384
28	148	-5.63028
29	148	-6.08059
30	148	-6.45459
31	148	-6.72316
32	148	-6.93397
33	148	-6.99934
34	148	-6.85265
35	148	-6.56253
36	148	-6.15482
37	148	-5.65203
38	148	-5.13448
39	148	-4.5615
40	148	-4.007
41	148	-3.47926
42	148	-2.97831
43	148	-2.59958
44	148	-2.25283
45	148	-1.99133
46	148	-1.78112
47	148	-1.65014
48	148	-1.60446
49	148	-1.61931
50	148	-1.71987
51	148	-1.87348
52	148	-2.13389
53	148	-2.50785
54	148	-2.97358
55	148	-3.57157
56	148	-4.28684
57	148	-5.12797
58	148	-6.17422
59	148	-7.39944
60	148	-8.81409
61	148	-10.3374
62	148	-11.8394
63	148	-13.0474
64	148	-13.4943
65	148	-12.4979

66	148	-10.785
67	148	-9.37711
68	148	-8.12274
69	148	-7.10002
70	148	-6.26924
71	148	-5.63275
72	148	-5.14365
73	148	-4.84614
74	148	-4.69406
75	148	-4.6982
76	148	-4.84909
77	148	-5.18343
78	148	-5.68166
79	148	-6.38956
80	148	-7.31475
81	148	-8.51846
82	148	-10.1207
83	148	-12.1046
84	148	-14.9454
85	148	-18.8333
86	148	-22.3466
87	148	-19.6194
88	148	-15.6554
89	148	-12.6546
90	148	-10.4595
91	148	-8.86301
92	148	-7.58371
93	148	-6.66427
94	148	-5.95503
95	148	-5.47194
96	148	-5.15663
97	148	-5.0196
98	148	-4.64943
99	148	-4.86953
100	148	-5.31766
101	148	-5.78215
102	148	-6.48015
103	148	-7.39212
104	148	-8.40199
105	148	-9.79777
106	148	-11.5631
107	148	-13.7118
108	148	-16.1199
109	148	-17.8125
110	148	-17.0274
111	148	-14.5985
112	148	-12.2196
113	148	-10.4792
114	148	-9.0712
115	148	-7.79788
116	148	-6.5764
117	148	-5.74801
118	148	-5.10375
119	148	-4.61823
120	148	-4.26974
121	148	-4.02099
122	148	-3.87421
123	148	-3.8708
124	148	-3.90208
125	148	-4.04611
126	148	-4.29277
127	148	-4.59047
128	148	-4.97311
129	148	-5.41867
130	148	-5.9396
131	148	-6.49043
132	148	-7.06705
133	148	-7.60155
134	148	-8.113
135	148	-8.35149
136	148	-8.47359
137	148	-8.45956
138	148	-8.24103
139	148	-7.8262
140	148	-7.34852
141	148	-6.9212
142	148	-6.41795
143	148	-5.83375
144	148	-5.18245
145	148	-4.64392
146	148	-4.19744
147	148	-3.78588
148	148	-3.40859
149	148	-3.05715
150	148	-2.74504
151	148	-2.44248
152	148	-2.22797
153	148	-2.01713
154	148	-1.82407
155	148	-1.60886
156	148	-1.47962
157	148	-1.33239
158	148	-1.11118
159	148	-0.964592
160	148	-0.876885

161	148	-0.810912
162	148	-0.745747
163	148	-0.686093
164	148	-0.631499
165	148	-0.588278
166	148	-0.553721
167	148	-0.533507
168	148	-0.505093
169	148	-0.473021
170	148	-0.46073
171	148	-0.433487
172	148	-0.408848
173	148	-0.392663
174	148	-0.364484
175	148	-0.354668
176	148	-0.353553
177	148	-0.346641
178	148	-0.346516
179	148	-0.341209
180	148	-0.320291
-180	149	-0.67064
-179	149	-0.686245
-178	149	-0.728572
-177	149	-0.765258
-176	149	-0.812951
-175	149	-0.851228
-174	149	-0.897309
-173	149	-0.959258
-172	149	-1.04808
-171	149	-1.12706
-170	149	-1.22651
-169	149	-1.34171
-168	149	-1.44421
-167	149	-1.60913
-166	149	-1.76041
-165	149	-1.92577
-164	149	-2.117
-163	149	-2.32929
-162	149	-2.59895
-161	149	-2.88647
-160	149	-3.21625
-159	149	-3.57578
-158	149	-3.9989
-157	149	-4.42156
-156	149	-4.80021
-155	149	-5.21007
-154	149	-5.64209
-153	149	-5.95494
-152	149	-6.17747
-151	149	-6.30981
-150	149	-6.33622
-149	149	-6.25402
-148	149	-6.09087
-147	149	-5.84067
-146	149	-5.52392
-145	149	-5.12177
-144	149	-4.67033
-143	149	-4.18117
-142	149	-3.70051
-141	149	-3.24596
-140	149	-2.81318
-139	149	-2.40978
-138	149	-2.08256
-137	149	-1.82146
-136	149	-1.62407
-135	149	-1.47661
-134	149	-1.39346
-133	149	-1.35428
-132	149	-1.37346
-131	149	-1.49009
-130	149	-1.74542
-129	149	-2.02031
-128	149	-2.43963
-127	149	-2.94216
-126	149	-3.52967
-125	149	-4.23354
-124	149	-5.10206
-123	149	-6.12251
-122	149	-7.2934
-121	149	-8.6016
-120	149	-10.0195
-119	149	-11.4275
-118	149	-12.3648
-117	149	-12.806
-116	149	-12.3065
-115	149	-10.8314
-114	149	-9.36886
-113	149	-8.10912
-112	149	-7.01176
-111	149	-6.12078
-110	149	-5.42169
-109	149	-4.91043
-108	149	-4.56907
-107	149	-4.37217
-106	149	-4.34394

-105	149	-4.53014
-104	149	-4.83299
-103	149	-5.30431
-102	149	-5.9825
-101	149	-6.8959
-100	149	-8.12555
-99	149	-9.62307
-98	149	-11.7163
-97	149	-14.6192
-96	149	-19.2378
-95	149	-27.3262
-94	149	-24.5598
-93	149	-20.9622
-92	149	-15.7707
-91	149	-12.6099
-90	149	-10.436
-89	149	-8.84458
-88	149	-7.64554
-87	149	-6.67823
-86	149	-5.95317
-85	149	-5.44479
-84	149	-5.13081
-83	149	-4.92424
-82	149	-4.88569
-81	149	-5.04172
-80	149	-5.36362
-79	149	-5.84118
-78	149	-6.50501
-77	149	-7.33758
-76	149	-8.39192
-75	149	-9.6993
-74	149	-11.3373
-73	149	-13.3324
-72	149	-15.6578
-71	149	-17.3492
-70	149	-17.0655
-69	149	-15.0807
-68	149	-12.8063
-67	149	-10.8477
-66	149	-9.37913
-65	149	-8.192
-64	149	-7.07284
-63	149	-6.15108
-62	149	-5.45188
-61	149	-4.85228
-60	149	-4.38468
-59	149	-4.04424
-58	149	-3.81419
-57	149	-3.71895
-56	149	-3.68722
-55	149	-3.66543
-54	149	-3.77723
-53	149	-3.98369
-52	149	-4.24155
-51	149	-4.53642
-50	149	-4.90433
-49	149	-5.27733
-48	149	-5.82115
-47	149	-6.39177
-46	149	-6.9013
-45	149	-7.45381
-44	149	-7.83552
-43	149	-8.15492
-42	149	-8.37255
-41	149	-8.43656
-40	149	-8.36033
-39	149	-8.1272
-38	149	-7.80342
-37	149	-7.40792
-36	149	-6.97848
-35	149	-6.36633
-34	149	-5.76545
-33	149	-5.31312
-32	149	-4.91475
-31	149	-4.50962
-30	149	-4.12321
-29	149	-3.70015
-28	149	-3.38831
-27	149	-3.10159
-26	149	-2.86181
-25	149	-2.6418
-24	149	-2.41696
-23	149	-2.16248
-22	149	-1.9282
-21	149	-1.73985
-20	149	-1.55317
-19	149	-1.42155
-18	149	-1.33024
-17	149	-1.22198
-16	149	-1.11903
-15	149	-1.00049
-14	149	-0.953047
-13	149	-0.878236
-12	149	-0.810326
-11	149	-0.752453

-10	149	-0.727995
-9	149	-0.698396
-8	149	-0.666814
-7	149	-0.645657
-6	149	-0.591196
-5	149	-0.547239
-4	149	-0.531095
-3	149	-0.533544
-2	149	-0.528813
-1	149	-0.550165
0	149	-0.575183
1	149	-0.598808
2	149	-0.643532
3	149	-0.683584
4	149	-0.729358
5	149	-0.768463
6	149	-0.827292
7	149	-0.895966
8	149	-0.992427
9	149	-1.07005
10	149	-1.16511
11	149	-1.27246
12	149	-1.4123
13	149	-1.58563
14	149	-1.74257
15	149	-1.9367
16	149	-2.16061
17	149	-2.39927
18	149	-2.69538
19	149	-3.02771
20	149	-3.40216
21	149	-3.79866
22	149	-4.2684
23	149	-4.74777
24	149	-5.20568
25	149	-5.70859
26	149	-6.20974
27	149	-6.59024
28	149	-6.91647
29	149	-7.10957
30	149	-7.14127
31	149	-7.03493
32	149	-6.84214
33	149	-6.54996
34	149	-6.16857
35	149	-5.73669
36	149	-5.25553
37	149	-4.72152
38	149	-4.20903
39	149	-3.73048
40	149	-3.27004
41	149	-2.83088
42	149	-2.45839
43	149	-2.15191
44	149	-1.91979
45	149	-1.7464
46	149	-1.61873
47	149	-1.57508
48	149	-1.59793
49	149	-1.6977
50	149	-1.83519
51	149	-2.11905
52	149	-2.4596
53	149	-2.90992
54	149	-3.46595
55	149	-4.13176
56	149	-4.93831
57	149	-5.88588
58	149	-7.00495
59	149	-8.25637
60	149	-9.68499
61	149	-11.1057
62	149	-12.1649
63	149	-12.9738
64	149	-12.4473
65	149	-11.1445
66	149	-9.83392
67	149	-8.60544
68	149	-7.51396
69	149	-6.62692
70	149	-5.91525
71	149	-5.36719
72	149	-4.98897
73	149	-4.74194
74	149	-4.64967
75	149	-4.7029
76	149	-4.88845
77	149	-5.21146
78	149	-5.73798
79	149	-6.44551
80	149	-7.36974
81	149	-8.54519
82	149	-10.0878
83	149	-12.1264
84	149	-14.9372

85	149	-18.8383
86	149	-23.1757
87	149	-20.9438
88	149	-16.4284
89	149	-13.2508
90	149	-10.9383
91	149	-9.30291
92	149	-8.01928
93	149	-6.98314
94	149	-6.25348
95	149	-5.73631
96	149	-5.40967
97	149	-5.25468
98	149	-4.78423
99	149	-4.98228
100	149	-5.27527
101	149	-5.74269
102	149	-6.28466
103	149	-7.06043
104	149	-8.03107
105	149	-9.09931
106	149	-10.6287
107	149	-12.5052
108	149	-14.6801
109	149	-16.7569
110	149	-17.6783
111	149	-16.1122
112	149	-13.8251
113	149	-11.6744
114	149	-10.037
115	149	-8.76619
116	149	-7.42352
117	149	-6.42255
118	149	-5.65271
119	149	-5.01415
120	149	-4.54482
121	149	-4.19183
122	149	-3.94546
123	149	-3.84364
124	149	-3.76742
125	149	-3.80866
126	149	-3.92123
127	149	-4.10554
128	149	-4.35999
129	149	-4.67263
130	149	-5.03318
131	149	-5.4716
132	149	-5.93623
133	149	-6.43849
134	149	-6.922
135	149	-7.37063
136	149	-7.73096
137	149	-7.97696
138	149	-8.13114
139	149	-8.13647
140	149	-8.00468
141	149	-7.74542
142	149	-7.37967
143	149	-6.95811
144	149	-6.49881
145	149	-5.93975
146	149	-5.40116
147	149	-4.96952
148	149	-4.57457
149	149	-4.20471
150	149	-3.86339
151	149	-3.52747
152	149	-3.22139
153	149	-2.97342
154	149	-2.73082
155	149	-2.46665
156	149	-2.28615
157	149	-2.04352
158	149	-1.82705
159	149	-1.61925
160	149	-1.47035
161	149	-1.33912
162	149	-1.27083
163	149	-1.19863
164	149	-1.0997
165	149	-1.02319
166	149	-0.958702
167	149	-0.921819
168	149	-0.86484
169	149	-0.79486
170	149	-0.755907
171	149	-0.72715
172	149	-0.707769
173	149	-0.682342
174	149	-0.672777
175	149	-0.64468
176	149	-0.65141
177	149	-0.6607
178	149	-0.667496
179	149	-0.669397

180	149	-0.67064
-180	150	-1.33065
-179	150	-1.3876
-178	150	-1.44983
-177	150	-1.51503
-176	150	-1.58001
-175	150	-1.66239
-174	150	-1.75713
-173	150	-1.86828
-172	150	-1.98953
-171	150	-2.11676
-170	150	-2.24166
-169	150	-2.38534
-168	150	-2.55615
-167	150	-2.73029
-166	150	-2.93385
-165	150	-3.14734
-164	150	-3.37689
-163	150	-3.62865
-162	150	-3.90357
-161	150	-4.25218
-160	150	-4.60989
-159	150	-4.98109
-158	150	-5.35701
-157	150	-5.7361
-156	150	-6.04367
-155	150	-6.34765
-154	150	-6.64706
-153	150	-6.75147
-152	150	-6.62901
-151	150	-6.42691
-150	150	-6.16294
-149	150	-5.8025
-148	150	-5.36491
-147	150	-4.93802
-146	150	-4.52671
-145	150	-4.09487
-144	150	-3.69088
-143	150	-3.30568
-142	150	-2.92082
-141	150	-2.57176
-140	150	-2.26019
-139	150	-1.9851
-138	150	-1.71729
-137	150	-1.53173
-136	150	-1.4155
-135	150	-1.38767
-134	150	-1.35999
-133	150	-1.3924
-132	150	-1.51951
-131	150	-1.73196
-130	150	-2.05069
-129	150	-2.43275
-128	150	-2.84528
-127	150	-3.43644
-126	150	-4.15803
-125	150	-4.96621
-124	150	-5.90182
-123	150	-6.99843
-122	150	-8.26113
-121	150	-9.62526
-120	150	-10.9538
-119	150	-11.9261
-118	150	-12.494
-117	150	-12.2759
-116	150	-10.9917
-115	150	-9.67228
-114	150	-8.42511
-113	150	-7.32589
-112	150	-6.42662
-111	150	-5.68587
-110	150	-5.08358
-109	150	-4.67196
-108	150	-4.39186
-107	150	-4.25522
-106	150	-4.25753
-105	150	-4.50619
-104	150	-4.83118
-103	150	-5.33879
-102	150	-6.02397
-101	150	-6.92588
-100	150	-8.10686
-99	150	-9.63178
-98	150	-11.6871
-97	150	-14.5356
-96	150	-18.9096
-95	150	-26.6308
-94	150	-26.4493
-93	150	-22.4919
-92	150	-16.6953
-91	150	-13.2724
-90	150	-10.9568
-89	150	-9.27592
-88	150	-7.98828
-87	150	-7.01107

-86	150	-6.28961
-85	150	-5.79942
-84	150	-5.40583
-83	150	-5.16065
-82	150	-5.11658
-81	150	-5.2186
-80	150	-5.45714
-79	150	-5.86453
-78	150	-6.38133
-77	150	-7.04429
-76	150	-7.91331
-75	150	-9.0143
-74	150	-10.362
-73	150	-12.0574
-72	150	-14.0918
-71	150	-16.0481
-70	150	-17.0211
-69	150	-16.2766
-68	150	-14.3152
-67	150	-12.3569
-66	150	-10.5487
-65	150	-9.09681
-64	150	-7.92759
-63	150	-6.97484
-62	150	-6.03805
-61	150	-5.33386
-60	150	-4.75412
-59	150	-4.32532
-58	150	-4.00817
-57	150	-3.77701
-56	150	-3.62778
-55	150	-3.56121
-54	150	-3.56703
-53	150	-3.63635
-52	150	-3.75632
-51	150	-3.94142
-50	150	-4.16893
-49	150	-4.43442
-48	150	-4.86538
-47	150	-5.30211
-46	150	-5.72049
-45	150	-6.1772
-44	150	-6.63933
-43	150	-7.05363
-42	150	-7.42226
-41	150	-7.77214
-40	150	-8.09955
-39	150	-8.27194
-38	150	-8.32908
-37	150	-8.20753
-36	150	-7.95636
-35	150	-7.65083
-34	150	-7.2976
-33	150	-6.86114
-32	150	-6.39673
-31	150	-5.96112
-30	150	-5.53456
-29	150	-5.13613
-28	150	-4.77454
-27	150	-4.46219
-26	150	-4.15683
-25	150	-3.88777
-24	150	-3.58497
-23	150	-3.29197
-22	150	-3.00489
-21	150	-2.73174
-20	150	-2.52792
-19	150	-2.37968
-18	150	-2.23994
-17	150	-2.07791
-16	150	-1.90181
-15	150	-1.82507
-14	150	-1.7163
-13	150	-1.63876
-12	150	-1.55535
-11	150	-1.48268
-10	150	-1.43179
-9	150	-1.38664
-8	150	-1.35808
-7	150	-1.32416
-6	150	-1.32732
-5	150	-1.26212
-4	150	-1.24105
-3	150	-1.23039
-2	150	-1.25577
-1	150	-1.25829
0	150	-1.29376
1	150	-1.36988
2	150	-1.39528
3	150	-1.45456
4	150	-1.53942
5	150	-1.63571
6	150	-1.72278
7	150	-1.80816
8	150	-1.9299

9	150	-2.0697
10	150	-2.20709
11	150	-2.35731
12	150	-2.54541
13	150	-2.75812
14	150	-3.02682
15	150	-3.27469
16	150	-3.55538
17	150	-3.84055
18	150	-4.16532
19	150	-4.5368
20	150	-4.94761
21	150	-5.31924
22	150	-5.76575
23	150	-6.21771
24	150	-6.66926
25	150	-7.05423
26	150	-7.40746
27	150	-7.48677
28	150	-7.42439
29	150	-7.27167
30	150	-7.02411
31	150	-6.63718
32	150	-6.16464
33	150	-5.73991
34	150	-5.24494
35	150	-4.74841
36	150	-4.25178
37	150	-3.74311
38	150	-3.34406
39	150	-2.95974
40	150	-2.62021
41	150	-2.31127
42	150	-2.06469
43	150	-1.85122
44	150	-1.7067
45	150	-1.64566
46	150	-1.6094
47	150	-1.64311
48	150	-1.76431
49	150	-1.94322
50	150	-2.20768
51	150	-2.55128
52	150	-2.92436
53	150	-3.4626
54	150	-4.09404
55	150	-4.85024
56	150	-5.75186
57	150	-6.79687
58	150	-8.00052
59	150	-9.32199
60	150	-10.6639
61	150	-11.8156
62	150	-12.7352
63	150	-12.4271
64	150	-11.3234
65	150	-10.1171
66	150	-8.87304
67	150	-7.77
68	150	-6.87241
69	150	-6.12257
70	150	-5.5043
71	150	-5.04925
72	150	-4.75325
73	150	-4.56896
74	150	-4.52169
75	150	-4.6192
76	150	-4.83463
77	150	-5.21048
78	150	-5.74392
79	150	-6.46018
80	150	-7.38238
81	150	-8.61248
82	150	-10.1597
83	150	-12.1807
84	150	-14.9788
85	150	-18.9097
86	150	-23.9671
87	150	-22.1513
88	150	-17.2023
89	150	-13.8353
90	150	-11.473
91	150	-9.71176
92	150	-8.39608
93	150	-7.33645
94	150	-6.63453
95	150	-6.07384
96	150	-5.66226
97	150	-5.50228
98	150	-5.40765
99	150	-5.01427
100	150	-5.24184
101	150	-5.61969
102	150	-6.07112
103	150	-6.7226

104	150	-7.55872
105	150	-8.4538
106	150	-9.7795
107	150	-11.3242
108	150	-13.3119
109	150	-15.4614
110	150	-17.1417
111	150	-17.1865
112	150	-15.4117
113	150	-13.2464
114	150	-11.2543
115	150	-9.69104
116	150	-8.42328
117	150	-7.14783
118	150	-6.29161
119	150	-5.51964
120	150	-4.94666
121	150	-4.50466
122	150	-4.17664
123	150	-3.93968
124	150	-3.77071
125	150	-3.68279
126	150	-3.66183
127	150	-3.71593
128	150	-3.85082
129	150	-4.06392
130	150	-4.32395
131	150	-4.63321
132	150	-4.99466
133	150	-5.38053
134	150	-5.90285
135	150	-6.25413
136	150	-6.64604
137	150	-7.01363
138	150	-7.33193
139	150	-7.61464
140	150	-7.883
141	150	-7.97362
142	150	-7.92505
143	150	-7.72365
144	150	-7.4241
145	150	-7.10597
146	150	-6.76865
147	150	-6.34072
148	150	-5.89099
149	150	-5.52358
150	150	-5.19419
151	150	-4.81354
152	150	-4.47696
153	150	-4.17874
154	150	-3.90392
155	150	-3.68869
156	150	-3.46468
157	150	-3.18647
158	150	-2.87633
159	150	-2.58856
160	150	-2.42789
161	150	-2.28839
162	150	-2.15649
163	150	-2.02109
164	150	-1.86711
165	150	-1.7926
166	150	-1.72533
167	150	-1.64364
168	150	-1.57787
169	150	-1.50909
170	150	-1.44509
171	150	-1.39111
172	150	-1.35188
173	150	-1.31822
174	150	-1.30255
175	150	-1.27382
176	150	-1.27163
177	150	-1.28225
178	150	-1.29634
179	150	-1.32399
180	150	-1.33065
-180	151	-2.32978
-179	151	-2.42198
-178	151	-2.50326
-177	151	-2.58898
-176	151	-2.71164
-175	151	-2.82543
-174	151	-2.93575
-173	151	-3.09006
-172	151	-3.2497
-171	151	-3.39373
-170	151	-3.55635
-169	151	-3.7442
-168	151	-3.93995
-167	151	-4.17253
-166	151	-4.42259
-165	151	-4.67868
-164	151	-4.95238
-163	151	-5.21329

-162	151	-5.46032
-161	151	-5.72172
-160	151	-6.01709
-159	151	-6.37603
-158	151	-6.62078
-157	151	-6.83816
-156	151	-6.96
-155	151	-6.95843
-154	151	-6.82221
-153	151	-6.62041
-152	151	-6.33637
-151	151	-5.93282
-150	151	-5.51027
-149	151	-5.05097
-148	151	-4.55838
-147	151	-4.08859
-146	151	-3.63946
-145	151	-3.23931
-144	151	-2.87858
-143	151	-2.55276
-142	151	-2.22709
-141	151	-1.94282
-140	151	-1.73754
-139	151	-1.58245
-138	151	-1.46602
-137	151	-1.38676
-136	151	-1.36429
-135	151	-1.40343
-134	151	-1.49704
-133	151	-1.63425
-132	151	-1.84173
-131	151	-2.15571
-130	151	-2.57337
-129	151	-3.02355
-128	151	-3.56798
-127	151	-4.10752
-126	151	-4.99604
-125	151	-5.88397
-124	151	-6.91731
-123	151	-8.07698
-122	151	-9.35096
-121	151	-10.5596
-120	151	-11.5373
-119	151	-12.1952
-118	151	-12.1727
-117	151	-11.0771
-116	151	-9.87827
-115	151	-8.63231
-114	151	-7.54099
-113	151	-6.6096
-112	151	-5.81363
-111	151	-5.18954
-110	151	-4.70472
-109	151	-4.34354
-108	151	-4.16201
-107	151	-4.09495
-106	151	-4.22808
-105	151	-4.45992
-104	151	-4.81367
-103	151	-5.33473
-102	151	-6.04384
-101	151	-6.96792
-100	151	-8.14692
-99	151	-9.67243
-98	151	-11.6425
-97	151	-14.4168
-96	151	-18.4338
-95	151	-25.6454
-94	151	-35.703
-93	151	-23.9848
-92	151	-17.5251
-91	151	-13.9472
-90	151	-11.5053
-89	151	-9.76329
-88	151	-8.47823
-87	151	-7.5066
-86	151	-6.70693
-85	151	-6.09994
-84	151	-5.6957
-83	151	-5.45072
-82	151	-5.35566
-81	151	-5.37425
-80	151	-5.48933
-79	151	-5.7469
-78	151	-6.16206
-77	151	-6.73101
-76	151	-7.45462
-75	151	-8.40354
-74	151	-9.51101
-73	151	-10.8599
-72	151	-12.5234
-71	151	-14.4116
-70	151	-16.0361
-69	151	-16.6962
-68	151	-15.7131

-67	151	-13.8919
-66	151	-12.0042
-65	151	-10.3214
-64	151	-8.85542
-63	151	-7.79909
-62	151	-6.90201
-61	151	-6.0254
-60	151	-5.3204
-59	151	-4.74328
-58	151	-4.31627
-57	151	-3.99483
-56	151	-3.7356
-55	151	-3.56095
-54	151	-3.4533
-53	151	-3.42903
-52	151	-3.44579
-51	151	-3.51486
-50	151	-3.65015
-49	151	-3.81771
-48	151	-4.11892
-47	151	-4.42578
-46	151	-4.72459
-45	151	-5.06853
-44	151	-5.45778
-43	151	-5.83068
-42	151	-6.20576
-41	151	-6.62527
-40	151	-7.06355
-39	151	-7.50834
-38	151	-7.89651
-37	151	-8.14767
-36	151	-8.23207
-35	151	-8.21008
-34	151	-8.12424
-33	151	-8.01553
-32	151	-7.83455
-31	151	-7.49522
-30	151	-7.06213
-29	151	-6.65605
-28	151	-6.34293
-27	151	-6.01757
-26	151	-5.74311
-25	151	-5.53579
-24	151	-5.22227
-23	151	-4.84713
-22	151	-4.46536
-21	151	-4.16473
-20	151	-3.94396
-19	151	-3.75711
-18	151	-3.52134
-17	151	-3.34008
-16	151	-3.17324
-15	151	-3.02917
-14	151	-2.91293
-13	151	-2.7985
-12	151	-2.70431
-11	151	-2.62173
-10	151	-2.54133
-9	151	-2.47392
-8	151	-2.40151
-7	151	-2.36217
-6	151	-2.32048
-5	151	-2.31416
-4	151	-2.30079
-3	151	-2.2975
-2	151	-2.30437
-1	151	-2.34605
0	151	-2.37241
1	151	-2.42561
2	151	-2.5202
3	151	-2.61442
4	151	-2.72374
5	151	-2.8419
6	151	-2.97901
7	151	-3.13444
8	151	-3.28414
9	151	-3.46408
10	151	-3.66075
11	151	-3.84945
12	151	-4.05761
13	151	-4.3166
14	151	-4.60262
15	151	-4.91476
16	151	-5.23062
17	151	-5.54986
18	151	-5.90907
19	151	-6.27719
20	151	-6.63574
21	151	-6.9874
22	151	-7.2297
23	151	-7.46493
24	151	-7.62933
25	151	-7.85085
26	151	-7.55289
27	151	-7.36908

28	151	-7.05761
29	151	-6.65061
30	151	-6.29703
31	151	-5.8129
32	151	-5.29908
33	151	-4.82023
34	151	-4.31078
35	151	-3.85481
36	151	-3.43446
37	151	-3.03777
38	151	-2.66895
39	151	-2.33574
40	151	-2.07914
41	151	-1.86656
42	151	-1.73194
43	151	-1.6282
44	151	-1.57108
45	151	-1.58754
46	151	-1.67936
47	151	-1.82222
48	151	-2.02605
49	151	-2.3125
50	151	-2.66222
51	151	-3.11472
52	151	-3.6194
53	151	-4.21863
54	151	-4.98521
55	151	-5.80106
56	151	-6.82151
57	151	-7.94619
58	151	-9.24079
59	151	-10.4947
60	151	-11.6301
61	151	-12.5694
62	151	-12.4298
63	151	-11.5317
64	151	-10.344
65	151	-9.08411
66	151	-7.98855
67	151	-7.04396
68	151	-6.2361
69	151	-5.61282
70	151	-5.11276
71	151	-4.73122
72	151	-4.48056
73	151	-4.35949
74	151	-4.37321
75	151	-4.51515
76	151	-4.77254
77	151	-5.19759
78	151	-5.77405
79	151	-6.53715
80	151	-7.49793
81	151	-8.72918
82	151	-10.2921
83	151	-12.2948
84	151	-15.0155
85	151	-18.9109
86	151	-24.1351
87	151	-22.9625
88	151	-17.9494
89	151	-14.475
90	151	-12.0491
91	151	-10.2797
92	151	-8.85538
93	151	-7.80903
94	151	-6.96755
95	151	-6.3611
96	151	-5.92841
97	151	-5.55875
98	151	-5.47723
99	151	-5.06093
100	151	-5.19839
101	151	-5.50749
102	151	-5.98997
103	151	-6.5257
104	151	-7.21537
105	151	-8.04974
106	151	-9.00212
107	151	-10.3332
108	151	-11.954
109	151	-13.9183
110	151	-15.9068
111	151	-17.2013
112	151	-16.5983
113	151	-14.8603
114	151	-12.8641
115	151	-11.0612
116	151	-9.5097
117	151	-8.31626
118	151	-7.18552
119	151	-6.2542
120	151	-5.52586
121	151	-4.94037
122	151	-4.49057

123	151	-4.15103
124	151	-3.9022
125	151	-3.66863
126	151	-3.55613
127	151	-3.51089
128	151	-3.5658
129	151	-3.6103
130	151	-3.74709
131	151	-3.98766
132	151	-4.26347
133	151	-4.54076
134	151	-4.86431
135	151	-5.18966
136	151	-5.49004
137	151	-5.85956
138	151	-6.25719
139	151	-6.6592
140	151	-7.00817
141	151	-7.32873
142	151	-7.60993
143	151	-7.75923
144	151	-7.77337
145	151	-7.71359
146	151	-7.58235
147	151	-7.41617
148	151	-7.23876
149	151	-6.96536
150	151	-6.58983
151	151	-6.20725
152	151	-5.90446
153	151	-5.6118
154	151	-5.34912
155	151	-5.14045
156	151	-4.85589
157	151	-4.52772
158	151	-4.20744
159	151	-3.97307
160	151	-3.78717
161	151	-3.5944
162	151	-3.41376
163	151	-3.27097
164	151	-3.14185
165	151	-2.93878
166	151	-2.8618
167	151	-2.73798
168	151	-2.65381
169	151	-2.57575
170	151	-2.45199
171	151	-2.39302
172	151	-2.34048
173	151	-2.29501
174	151	-2.2549
175	151	-2.24224
176	151	-2.24007
177	151	-2.25169
178	151	-2.26041
179	151	-2.25869
180	151	-2.32978
-180	152	-3.75125
-179	152	-3.79284
-178	152	-3.93726
-177	152	-4.04306
-176	152	-4.16591
-175	152	-4.30093
-174	152	-4.46756
-173	152	-4.6545
-172	152	-4.81078
-171	152	-4.97525
-170	152	-5.14676
-169	152	-5.43015
-168	152	-5.64379
-167	152	-5.86744
-166	152	-6.11216
-165	152	-6.39719
-164	152	-6.63647
-163	152	-6.8215
-162	152	-6.96315
-161	152	-7.08924
-160	152	-7.19442
-159	152	-7.25733
-158	152	-7.17036
-157	152	-7.0178
-156	152	-6.84607
-155	152	-6.5934
-154	152	-6.25588
-153	152	-5.86889
-152	152	-5.45381
-151	152	-5.00316
-150	152	-4.53348
-149	152	-4.07705
-148	152	-3.65598
-147	152	-3.27354
-146	152	-2.92585
-145	152	-2.60699
-144	152	-2.29404

-143	152	-2.03155
-142	152	-1.81487
-141	152	-1.65694
-140	152	-1.51057
-139	152	-1.41166
-138	152	-1.35805
-137	152	-1.36695
-136	152	-1.47054
-135	152	-1.59392
-134	152	-1.76775
-133	152	-1.97677
-132	152	-2.28213
-131	152	-2.69683
-130	152	-3.21292
-129	152	-3.78106
-128	152	-4.44064
-127	152	-5.17864
-126	152	-5.94617
-125	152	-6.99011
-124	152	-8.07844
-123	152	-9.30635
-122	152	-10.4766
-121	152	-11.5964
-120	152	-12.1147
-119	152	-11.9458
-118	152	-11.1879
-117	152	-10.065
-116	152	-8.85584
-115	152	-7.77102
-114	152	-6.76839
-113	152	-5.9628
-112	152	-5.30454
-111	152	-4.76619
-110	152	-4.38955
-109	152	-4.12441
-108	152	-3.98629
-107	152	-4.03234
-106	152	-4.15937
-105	152	-4.42871
-104	152	-4.83713
-103	152	-5.38764
-102	152	-6.11307
-101	152	-7.04686
-100	152	-8.22414
-99	152	-9.75328
-98	152	-11.7603
-97	152	-14.5545
-96	152	-18.4947
-95	152	-25.9871
-94	152	-34.9032
-93	152	-24.4598
-92	152	-17.923
-91	152	-14.325
-90	152	-11.8996
-89	152	-10.2171
-88	152	-8.86954
-87	152	-7.77778
-86	152	-6.95909
-85	152	-6.36892
-84	152	-5.91097
-83	152	-5.56959
-82	152	-5.41811
-81	152	-5.34087
-80	152	-5.39061
-79	152	-5.57019
-78	152	-5.85666
-77	152	-6.31771
-76	152	-6.91393
-75	152	-7.68497
-74	152	-8.63258
-73	152	-9.78371
-72	152	-11.1756
-71	152	-12.7727
-70	152	-14.4355
-69	152	-15.8788
-68	152	-16.2782
-67	152	-15.216
-66	152	-13.5426
-65	152	-11.802
-64	152	-10.2076
-63	152	-8.84337
-62	152	-7.77541
-61	152	-6.91857
-60	152	-6.11514
-59	152	-5.39928
-58	152	-4.82613
-57	152	-4.3879
-56	152	-4.01393
-55	152	-3.73186
-54	152	-3.53056
-53	152	-3.37482
-52	152	-3.28678
-51	152	-3.27005
-50	152	-3.34308
-49	152	-3.40748

-48	152	-3.59346
-47	152	-3.76952
-46	152	-3.96818
-45	152	-4.20991
-44	152	-4.45574
-43	152	-4.75209
-42	152	-5.10722
-41	152	-5.49728
-40	152	-5.92508
-39	152	-6.33851
-38	152	-6.70153
-37	152	-7.06305
-36	152	-7.44971
-35	152	-7.7743
-34	152	-8.05626
-33	152	-8.24048
-32	152	-8.31956
-31	152	-8.32445
-30	152	-8.26015
-29	152	-8.07726
-28	152	-7.77136
-27	152	-7.54336
-26	152	-7.4068
-25	152	-7.2338
-24	152	-6.98332
-23	152	-6.51483
-22	152	-6.22841
-21	152	-5.97725
-20	152	-5.71376
-19	152	-5.45789
-18	152	-5.27423
-17	152	-5.06425
-16	152	-4.86733
-15	152	-4.68878
-14	152	-4.53197
-13	152	-4.38254
-12	152	-4.25092
-11	152	-4.13765
-10	152	-4.04839
-9	152	-3.97857
-8	152	-3.87095
-7	152	-3.82272
-6	152	-3.76202
-5	152	-3.72332
-4	152	-3.71635
-3	152	-3.76814
-2	152	-3.77702
-1	152	-3.84107
0	152	-3.91714
1	152	-3.99087
2	152	-4.09359
3	152	-4.19275
4	152	-4.31745
5	152	-4.4666
6	152	-4.6417
7	152	-4.8658
8	152	-5.06383
9	152	-5.27134
10	152	-5.50326
11	152	-5.72746
12	152	-5.95772
13	152	-6.19779
14	152	-6.47445
15	152	-6.76607
16	152	-7.00775
17	152	-7.28762
18	152	-7.4906
19	152	-7.68863
20	152	-7.86313
21	152	-7.97299
22	152	-7.93811
23	152	-7.82394
24	152	-7.63871
25	152	-7.32464
26	152	-6.94268
27	152	-6.5823
28	152	-6.10403
29	152	-5.58808
30	152	-5.08262
31	152	-4.63857
32	152	-4.2098
33	152	-3.80847
34	152	-3.44027
35	152	-3.11427
36	152	-2.79438
37	152	-2.50984
38	152	-2.26401
39	152	-2.03954
40	152	-1.82855
41	152	-1.74295
42	152	-1.64792
43	152	-1.63304
44	152	-1.69167
45	152	-1.76938
46	152	-1.90377

47	152	-2.12478
48	152	-2.40956
49	152	-2.77677
50	152	-3.23351
51	152	-3.75521
52	152	-4.39405
53	152	-5.08044
54	152	-5.90882
55	152	-6.88311
56	152	-7.99313
57	152	-9.22977
58	152	-10.4075
59	152	-11.7178
60	152	-12.5621
61	152	-12.3266
62	152	-11.6273
63	152	-10.5543
64	152	-9.35385
65	152	-8.2413
66	152	-7.26447
67	152	-6.44776
68	152	-5.75852
69	152	-5.21118
70	152	-4.80805
71	152	-4.51484
72	152	-4.34407
73	152	-4.2629
74	152	-4.3114
75	152	-4.4957
76	152	-4.80341
77	152	-5.24412
78	152	-5.83485
79	152	-6.5821
80	152	-7.51489
81	152	-8.73618
82	152	-10.2491
83	152	-12.2061
84	152	-14.8181
85	152	-18.3648
86	152	-23.0265
87	152	-23.4252
88	152	-18.7037
89	152	-15.1857
90	152	-12.6724
91	152	-10.7533
92	152	-9.33289
93	152	-8.172
94	152	-7.30637
95	152	-6.61659
96	152	-6.12763
97	152	-5.78949
98	152	-5.6025
99	152	-5.10388
100	152	-5.19147
101	152	-5.40513
102	152	-5.71952
103	152	-6.17338
104	152	-6.78962
105	152	-7.52345
106	152	-8.43747
107	152	-9.43986
108	152	-10.8107
109	152	-12.396
110	152	-14.2461
111	152	-16.0033
112	152	-17.0367
113	152	-16.1476
114	152	-14.3955
115	152	-12.5702
116	152	-10.8567
117	152	-9.35952
118	152	-8.08394
119	152	-7.19461
120	152	-6.34451
121	152	-5.59554
122	152	-5.01423
123	152	-4.53057
124	152	-4.16788
125	152	-3.83596
126	152	-3.60513
127	152	-3.43883
128	152	-3.36457
129	152	-3.35179
130	152	-3.42933
131	152	-3.56251
132	152	-3.68449
133	152	-3.8677
134	152	-4.0744
135	152	-4.29918
136	152	-4.53113
137	152	-4.82984
138	152	-5.17923
139	152	-5.56282
140	152	-5.94685
141	152	-6.33079

142	152	-6.65749
143	152	-6.95732
144	152	-7.23045
145	152	-7.45654
146	152	-7.63675
147	152	-7.77547
148	152	-7.81688
149	152	-7.80201
150	152	-7.70337
151	152	-7.51284
152	152	-7.20063
153	152	-6.98706
154	152	-6.89207
155	152	-6.74418
156	152	-6.45323
157	152	-6.08718
158	152	-5.79607
159	152	-5.59919
160	152	-5.37109
161	152	-5.14558
162	152	-4.97026
163	152	-4.77976
164	152	-4.6216
165	152	-4.49504
166	152	-4.34778
167	152	-4.22757
168	152	-4.13339
169	152	-4.02763
170	152	-3.94617
171	152	-3.87844
172	152	-3.8284
173	152	-3.78855
174	152	-3.72634
175	152	-3.71515
176	152	-3.61567
177	152	-3.63545
178	152	-3.6536
179	152	-3.69666
180	152	-3.75125
-180	153	-5.5532
-179	153	-5.65588
-178	153	-5.73911
-177	153	-5.82676
-176	153	-5.99573
-175	153	-6.17948
-174	153	-6.34186
-173	153	-6.49207
-172	153	-6.64767
-171	153	-6.81013
-170	153	-6.94197
-169	153	-7.07683
-168	153	-7.22296
-167	153	-7.34139
-166	153	-7.4532
-165	153	-7.5106
-164	153	-7.5082
-163	153	-7.52
-162	153	-7.5037
-161	153	-7.42662
-160	153	-7.24635
-159	153	-7.01354
-158	153	-6.72198
-157	153	-6.36645
-156	153	-6.02683
-155	153	-5.6799
-154	153	-5.28051
-153	153	-4.84251
-152	153	-4.42971
-151	153	-4.06449
-150	153	-3.69554
-149	153	-3.33014
-148	153	-3.00703
-147	153	-2.70538
-146	153	-2.42811
-145	153	-2.18321
-144	153	-1.97185
-143	153	-1.78491
-142	153	-1.63216
-141	153	-1.51224
-140	153	-1.43178
-139	153	-1.46065
-138	153	-1.4945
-137	153	-1.56343
-136	153	-1.69645
-135	153	-1.86832
-134	153	-2.11065
-133	153	-2.39602
-132	153	-2.79521
-131	153	-3.30734
-130	153	-3.90831
-129	153	-4.5858
-128	153	-5.31687
-127	153	-6.19448
-126	153	-7.15104
-125	153	-8.2028

-124	153	-9.27272
-123	153	-10.3832
-122	153	-11.5328
-121	153	-11.9631
-120	153	-11.8904
-119	153	-11.1647
-118	153	-10.1318
-117	153	-8.99659
-116	153	-7.9164
-115	153	-6.97693
-114	153	-6.19991
-113	153	-5.45124
-112	153	-4.89913
-111	153	-4.47488
-110	153	-4.16267
-109	153	-3.97306
-108	153	-3.90015
-107	153	-4.03188
-106	153	-4.19352
-105	153	-4.48461
-104	153	-4.91449
-103	153	-5.49943
-102	153	-6.253
-101	153	-7.27331
-100	153	-8.41008
-99	153	-9.93471
-98	153	-11.9402
-97	153	-14.4792
-96	153	-18.358
-95	153	-24.9853
-94	153	-31.7247
-93	153	-25.4207
-92	153	-18.8188
-91	153	-15.1102
-90	153	-12.4917
-89	153	-10.588
-88	153	-9.20595
-87	153	-8.12752
-86	153	-7.24598
-85	153	-6.539
-84	153	-5.99567
-83	153	-5.61364
-82	153	-5.37314
-81	153	-5.24326
-80	153	-5.22758
-79	153	-5.33556
-78	153	-5.55833
-77	153	-5.93694
-76	153	-6.45352
-75	153	-7.09762
-74	153	-7.85193
-73	153	-8.78214
-72	153	-9.89387
-71	153	-11.188
-70	153	-12.668
-69	153	-14.1926
-68	153	-15.3405
-67	153	-15.5944
-66	153	-14.7351
-65	153	-13.2467
-64	153	-11.6691
-63	153	-10.2087
-62	153	-8.91856
-61	153	-7.83699
-60	153	-6.9767
-59	153	-6.23883
-58	153	-5.51313
-57	153	-4.98606
-56	153	-4.48578
-55	153	-4.08083
-54	153	-3.77541
-53	153	-3.52579
-52	153	-3.34368
-51	153	-3.23253
-50	153	-3.20335
-49	153	-3.19402
-48	153	-3.27699
-47	153	-3.38371
-46	153	-3.48381
-45	153	-3.59304
-44	153	-3.72937
-43	153	-3.91054
-42	153	-4.16207
-41	153	-4.45936
-40	153	-4.83121
-39	153	-5.19855
-38	153	-5.5724
-37	153	-5.92152
-36	153	-6.26816
-35	153	-6.59878
-34	153	-6.98523
-33	153	-7.4015
-32	153	-7.74728
-31	153	-8.01491
-30	153	-8.21176

-29	153	-8.31469
-28	153	-8.37984
-27	153	-8.47455
-26	153	-8.56044
-25	153	-8.46284
-24	153	-8.24252
-23	153	-8.10469
-22	153	-7.98403
-21	153	-7.75648
-20	153	-7.5322
-19	153	-7.2942
-18	153	-7.11742
-17	153	-6.93247
-16	153	-6.75479
-15	153	-6.59082
-14	153	-6.41834
-13	153	-6.26349
-12	153	-6.13387
-11	153	-6.01018
-10	153	-5.90222
-9	153	-5.81564
-8	153	-5.75855
-7	153	-5.70697
-6	153	-5.6391
-5	153	-5.59838
-4	153	-5.59457
-3	153	-5.61385
-2	153	-5.66633
-1	153	-5.72904
0	153	-5.80032
1	153	-5.95342
2	153	-6.06344
3	153	-6.19725
4	153	-6.36771
5	153	-6.54442
6	153	-6.71724
7	153	-6.89525
8	153	-7.0641
9	153	-7.2377
10	153	-7.40836
11	153	-7.58787
12	153	-7.75271
13	153	-7.88025
14	153	-8.01137
15	153	-8.08352
16	153	-8.07663
17	153	-8.11517
18	153	-8.09822
19	153	-7.98606
20	153	-7.84683
21	153	-7.63939
22	153	-7.36172
23	153	-7.04817
24	153	-6.74594
25	153	-6.33938
26	153	-5.89133
27	153	-5.44202
28	153	-5.0002
29	153	-4.5624
30	153	-4.13304
31	153	-3.74495
32	153	-3.39185
33	153	-3.06799
34	153	-2.78878
35	153	-2.54472
36	153	-2.32431
37	153	-2.1359
38	153	-1.97917
39	153	-1.86326
40	153	-1.7818
41	153	-1.79831
42	153	-1.82453
43	153	-1.86695
44	153	-1.97353
45	153	-2.13531
46	153	-2.34177
47	153	-2.61129
48	153	-2.95567
49	153	-3.40318
50	153	-3.94848
51	153	-4.56074
52	153	-5.26454
53	153	-6.06559
54	153	-7.02668
55	153	-8.04038
56	153	-9.20266
57	153	-10.2546
58	153	-11.588
59	153	-12.3283
60	153	-12.1477
61	153	-11.6098
62	153	-10.6702
63	153	-9.54678
64	153	-8.46518
65	153	-7.49102

66	153	-6.65313
67	153	-5.93751
68	153	-5.37157
69	153	-4.91768
70	153	-4.59826
71	153	-4.37129
72	153	-4.25773
73	153	-4.23742
74	153	-4.32303
75	153	-4.52209
76	153	-4.84958
77	153	-5.31396
78	153	-5.90921
79	153	-6.65356
80	153	-7.58626
81	153	-8.7296
82	153	-10.1993
83	153	-12.0233
84	153	-14.4544
85	153	-17.681
86	153	-21.7255
87	153	-23.1429
88	153	-19.1648
89	153	-15.6597
90	153	-13.0267
91	153	-11.1192
92	153	-9.68016
93	153	-8.49786
94	153	-7.54459
95	153	-6.8408
96	153	-6.31236
97	153	-5.95031
98	153	-5.72412
99	153	-5.12711
100	153	-5.15471
101	153	-5.30622
102	153	-5.54161
103	153	-5.93023
104	153	-6.38634
105	153	-7.04636
106	153	-7.77261
107	153	-8.71616
108	153	-9.69818
109	153	-11.0824
110	153	-12.638
111	153	-14.352
112	153	-15.8756
113	153	-16.4629
114	153	-15.6292
115	153	-14.0055
116	153	-12.3168
117	153	-10.7849
118	153	-9.40288
119	153	-8.12075
120	153	-7.24223
121	153	-6.48002
122	153	-5.70341
123	153	-5.06573
124	153	-4.58984
125	153	-4.16369
126	153	-3.84358
127	153	-3.61425
128	153	-3.45246
129	153	-3.36152
130	153	-3.31778
131	153	-3.28703
132	153	-3.32124
133	153	-3.38627
134	153	-3.47481
135	153	-3.63326
136	153	-3.78375
137	153	-4.01591
138	153	-4.25959
139	153	-4.54511
140	153	-4.89747
141	153	-5.26201
142	153	-5.61733
143	153	-5.95378
144	153	-6.27835
145	153	-6.58764
146	153	-6.90554
147	153	-7.22245
148	153	-7.50627
149	153	-7.72335
150	153	-7.8198
151	153	-7.84813
152	153	-7.86003
153	153	-7.94301
154	153	-7.98626
155	153	-7.86975
156	153	-7.67248
157	153	-7.52532
158	153	-7.42154
159	153	-7.22914
160	153	-6.99141

161	153	-6.80043
162	153	-6.64194
163	153	-6.49833
164	153	-6.33442
165	153	-6.19973
166	153	-6.06133
167	153	-5.93361
168	153	-5.83784
169	153	-5.73539
170	153	-5.65083
171	153	-5.5779
172	153	-5.53108
173	153	-5.50339
174	153	-5.44764
175	153	-5.43706
176	153	-5.42807
177	153	-5.41592
178	153	-5.44731
179	153	-5.4784
180	153	-5.5532
-180	154	-7.29656
-179	154	-7.37697
-178	154	-7.46991
-177	154	-7.56663
-176	154	-7.62055
-175	154	-7.66958
-174	154	-7.7763
-173	154	-7.90381
-172	154	-7.97125
-171	154	-7.99698
-170	154	-7.99328
-169	154	-7.97423
-168	154	-7.98911
-167	154	-7.91584
-166	154	-7.8008
-165	154	-7.62695
-164	154	-7.4115
-163	154	-7.1577
-162	154	-6.88215
-161	154	-6.59619
-160	154	-6.29272
-159	154	-6.00527
-158	154	-5.6832
-157	154	-5.33105
-156	154	-5.01203
-155	154	-4.6524
-154	154	-4.31461
-153	154	-3.96051
-152	154	-3.61084
-151	154	-3.27953
-150	154	-2.9725
-149	154	-2.70067
-148	154	-2.45874
-147	154	-2.29833
-146	154	-2.04477
-145	154	-1.87442
-144	154	-1.7561
-143	154	-1.67139
-142	154	-1.62046
-141	154	-1.58937
-140	154	-1.63761
-139	154	-1.71381
-138	154	-1.83553
-137	154	-2.00412
-136	154	-2.21529
-135	154	-2.44736
-134	154	-2.75555
-133	154	-3.10037
-132	154	-3.56578
-131	154	-4.10297
-130	154	-4.77046
-129	154	-5.53255
-128	154	-6.33187
-127	154	-7.33406
-126	154	-8.34588
-125	154	-9.39871
-124	154	-10.674
-123	154	-11.5561
-122	154	-11.8185
-121	154	-11.8877
-120	154	-11.333
-119	154	-10.345
-118	154	-9.25249
-117	154	-8.17166
-116	154	-7.21709
-115	154	-6.38791
-114	154	-5.7031
-113	154	-5.1133
-112	154	-4.64342
-111	154	-4.29756
-110	154	-4.06892
-109	154	-3.926
-108	154	-3.99172
-107	154	-4.09491
-106	154	-4.31828

-105	154	-4.65541
-104	154	-5.12473
-103	154	-5.72229
-102	154	-6.48122
-101	154	-7.44696
-100	154	-8.64665
-99	154	-10.1622
-98	154	-12.0286
-97	154	-14.638
-96	154	-18.41
-95	154	-20.7957
-94	154	-28.4238
-93	154	-26.584
-92	154	-19.5189
-91	154	-15.544
-90	154	-12.874
-89	154	-10.9593
-88	154	-9.50921
-87	154	-8.31136
-86	154	-7.37186
-85	154	-6.64006
-84	154	-6.06643
-83	154	-5.62489
-82	154	-5.3604
-81	154	-5.20781
-80	154	-5.15766
-79	154	-5.21173
-78	154	-5.37338
-77	154	-5.64915
-76	154	-6.04467
-75	154	-6.52844
-74	154	-7.1201
-73	154	-7.87989
-72	154	-8.78956
-71	154	-9.84546
-70	154	-11.0549
-69	154	-12.4766
-68	154	-13.7899
-67	154	-14.7937
-66	154	-15.132
-65	154	-14.5116
-64	154	-13.2085
-63	154	-11.7955
-62	154	-10.3803
-61	154	-9.12721
-60	154	-8.02834
-59	154	-7.10633
-58	154	-6.4197
-57	154	-5.75614
-56	154	-5.12154
-55	154	-4.61707
-54	154	-4.23383
-53	154	-3.90182
-52	154	-3.62975
-51	154	-3.44024
-50	154	-3.29061
-49	154	-3.19504
-48	154	-3.1861
-47	154	-3.16134
-46	154	-3.15491
-45	154	-3.1438
-44	154	-3.20357
-43	154	-3.31278
-42	154	-3.50402
-41	154	-3.75287
-40	154	-3.98767
-39	154	-4.20726
-38	154	-4.49057
-37	154	-4.79085
-36	154	-5.10876
-35	154	-5.46397
-34	154	-5.82747
-33	154	-6.19593
-32	154	-6.56647
-31	154	-6.90264
-30	154	-7.16959
-29	154	-7.40067
-28	154	-7.66542
-27	154	-7.9634
-26	154	-8.20719
-25	154	-8.43307
-24	154	-8.64405
-23	154	-8.78064
-22	154	-8.84144
-21	154	-8.66375
-20	154	-8.56332
-19	154	-8.48016
-18	154	-8.4514
-17	154	-8.41832
-16	154	-8.36026
-15	154	-8.2514
-14	154	-8.15416
-13	154	-8.06841
-12	154	-7.98871
-11	154	-7.9214

-10	154	-7.85925
-9	154	-7.79212
-8	154	-7.75938
-7	154	-7.74226
-6	154	-7.66943
-5	154	-7.62722
-4	154	-7.60827
-3	154	-7.60697
-2	154	-7.61172
-1	154	-7.6549
0	154	-7.69571
1	154	-7.82244
2	154	-7.94949
3	154	-8.03817
4	154	-8.14099
5	154	-8.30692
6	154	-8.42212
7	154	-8.53894
8	154	-8.6102
9	154	-8.64325
10	154	-8.64542
11	154	-8.63937
12	154	-8.62856
13	154	-8.58477
14	154	-8.46875
15	154	-8.25164
16	154	-8.00267
17	154	-7.70487
18	154	-7.38513
19	154	-7.05064
20	154	-6.76803
21	154	-6.44522
22	154	-6.13858
23	154	-5.82821
24	154	-5.47677
25	154	-5.0966
26	154	-4.74699
27	154	-4.39019
28	154	-4.02945
29	154	-3.67918
30	154	-3.34335
31	154	-3.03794
32	154	-2.7697
33	154	-2.52613
34	154	-2.31414
35	154	-2.13625
36	154	-2.02513
37	154	-1.95443
38	154	-1.90161
39	154	-1.84937
40	154	-1.88842
41	154	-1.983
42	154	-2.10618
43	154	-2.27028
44	154	-2.45623
45	154	-2.73825
46	154	-3.02948
47	154	-3.39757
48	154	-3.82043
49	154	-4.3489
50	154	-4.94817
51	154	-5.67518
52	154	-6.51382
53	154	-7.40249
54	154	-8.39191
55	154	-9.42242
56	154	-10.657
57	154	-11.7294
58	154	-12.0992
59	154	-12.135
60	154	-11.5863
61	154	-10.7292
62	154	-9.69745
63	154	-8.60589
64	154	-7.65881
65	154	-6.83794
66	154	-6.16014
67	154	-5.58379
68	154	-5.07167
69	154	-4.7248
70	154	-4.45776
71	154	-4.275
72	154	-4.19161
73	154	-4.20171
74	154	-4.33841
75	154	-4.56226
76	154	-4.88366
77	154	-5.38297
78	154	-5.9835
79	154	-6.72438
80	154	-7.65183
81	154	-8.80594
82	154	-10.2402
83	154	-12.0313
84	154	-14.3494

85	154	-17.4064
86	154	-21.1128
87	154	-22.5919
88	154	-19.1919
89	154	-15.8662
90	154	-13.3918
91	154	-11.5217
92	154	-9.94466
93	154	-8.74419
94	154	-7.78775
95	154	-7.03962
96	154	-6.50347
97	154	-6.10861
98	154	-5.79118
99	154	-5.54663
100	154	-5.11364
101	154	-5.18856
102	154	-5.35612
103	154	-5.65154
104	154	-6.18484
105	154	-6.51888
106	154	-7.13626
107	154	-7.89945
108	154	-8.87408
109	154	-9.97322
110	154	-11.1037
111	154	-12.6216
112	154	-14.0961
113	154	-15.3646
114	154	-15.8823
115	154	-15.3699
116	154	-14.0355
117	154	-12.4448
118	154	-10.9232
119	154	-9.60457
120	154	-8.23968
121	154	-7.34119
122	154	-6.65354
123	154	-5.93372
124	154	-5.2889
125	154	-4.78604
126	154	-4.3549
127	154	-4.02907
128	154	-3.77434
129	154	-3.58023
130	154	-3.40525
131	154	-3.2964
132	154	-3.22781
133	154	-3.18646
134	154	-3.19003
135	154	-3.25189
136	154	-3.30489
137	154	-3.41723
138	154	-3.58239
139	154	-3.81029
140	154	-4.08713
141	154	-4.35615
142	154	-4.62255
143	154	-4.90302
144	154	-5.21617
145	154	-5.55637
146	154	-5.89815
147	154	-6.22014
148	154	-6.53927
149	154	-6.85409
150	154	-7.08524
151	154	-7.24548
152	154	-7.4147
153	154	-7.61709
154	154	-7.81946
155	154	-7.98777
156	154	-8.16219
157	154	-8.27788
158	154	-8.26167
159	154	-8.15629
160	154	-8.06866
161	154	-8.02046
162	154	-7.97962
163	154	-7.89369
164	154	-7.8604
165	154	-7.77549
166	154	-7.70056
167	154	-7.61877
168	154	-7.56512
169	154	-7.49248
170	154	-7.42488
171	154	-7.37827
172	154	-7.34336
173	154	-7.31366
174	154	-7.24498
175	154	-7.22394
176	154	-7.2582
177	154	-7.28539
178	154	-7.26484
179	154	-7.27351

180	154	-7.29656
-180	155	-8.34188
-179	155	-8.32784
-178	155	-8.3274
-177	155	-8.33492
-176	155	-8.32633
-175	155	-8.3082
-174	155	-8.25738
-173	155	-8.12489
-172	155	-8.0556
-171	155	-7.97855
-170	155	-7.83257
-169	155	-7.63412
-168	155	-7.40147
-167	155	-7.16778
-166	155	-6.94457
-165	155	-6.69536
-164	155	-6.39587
-163	155	-6.0678
-162	155	-5.73897
-161	155	-5.41918
-160	155	-5.09967
-159	155	-4.78471
-158	155	-4.49633
-157	155	-4.22132
-156	155	-3.95641
-155	155	-3.701
-154	155	-3.43621
-153	155	-3.18421
-152	155	-2.92459
-151	155	-2.6758
-150	155	-2.4459
-149	155	-2.23625
-148	155	-2.07022
-147	155	-1.96308
-146	155	-1.86813
-145	155	-1.79507
-144	155	-1.75316
-143	155	-1.76765
-142	155	-1.82564
-141	155	-1.92057
-140	155	-2.00248
-139	155	-2.13216
-138	155	-2.33004
-137	155	-2.57284
-136	155	-2.88839
-135	155	-3.25061
-134	155	-3.62846
-133	155	-4.10231
-132	155	-4.64979
-131	155	-5.3254
-130	155	-6.07658
-129	155	-6.92514
-128	155	-7.83607
-127	155	-8.78459
-126	155	-9.87927
-125	155	-11.0387
-124	155	-11.6428
-123	155	-12.1727
-122	155	-12.0817
-121	155	-11.3427
-120	155	-10.4201
-119	155	-9.40163
-118	155	-8.35552
-117	155	-7.41623
-116	155	-6.55639
-115	155	-5.85278
-114	155	-5.28187
-113	155	-4.7919
-112	155	-4.41505
-111	155	-4.13237
-110	155	-3.95071
-109	155	-3.96152
-108	155	-4.00322
-107	155	-4.12426
-106	155	-4.36369
-105	155	-4.73441
-104	155	-5.232
-103	155	-5.8581
-102	155	-6.64037
-101	155	-7.60301
-100	155	-8.83682
-99	155	-10.3356
-98	155	-12.2458
-97	155	-14.8507
-96	155	-18.4939
-95	155	-20.6497
-94	155	-29.0838
-93	155	-26.5719
-92	155	-19.3222
-91	155	-15.5092
-90	155	-12.8673
-89	155	-11.0241
-88	155	-9.54895
-87	155	-8.39544

-86	155	-7.47308
-85	155	-6.73884
-84	155	-6.14973
-83	155	-5.70487
-82	155	-5.40263
-81	155	-5.18429
-80	155	-5.08186
-79	155	-5.06722
-78	155	-5.13737
-77	155	-5.31401
-76	155	-5.60522
-75	155	-5.99801
-74	155	-6.48495
-73	155	-7.10959
-72	155	-7.82268
-71	155	-8.70746
-70	155	-9.71189
-69	155	-10.84
-68	155	-12.0742
-67	155	-13.3613
-66	155	-14.4415
-65	155	-14.8873
-64	155	-14.6764
-63	155	-13.4304
-62	155	-12.045
-61	155	-10.7242
-60	155	-9.50806
-59	155	-8.39959
-58	155	-7.45405
-57	155	-6.71831
-56	155	-6.1125
-55	155	-5.48513
-54	155	-4.94999
-53	155	-4.51584
-52	155	-4.1518
-51	155	-3.86371
-50	155	-3.60527
-49	155	-3.41532
-48	155	-3.27824
-47	155	-3.16243
-46	155	-3.04844
-45	155	-2.98432
-44	155	-2.9569
-43	155	-3.00496
-42	155	-3.09694
-41	155	-3.26139
-40	155	-3.40353
-39	155	-3.59918
-38	155	-3.76938
-37	155	-3.9753
-36	155	-4.20486
-35	155	-4.47065
-34	155	-4.73216
-33	155	-5.05062
-32	155	-5.33934
-31	155	-5.57773
-30	155	-5.79373
-29	155	-6.04087
-28	155	-6.31887
-27	155	-6.61784
-26	155	-6.89403
-25	155	-7.26425
-24	155	-7.64725
-23	155	-7.89581
-22	155	-8.07226
-21	155	-8.22243
-20	155	-8.3597
-19	155	-8.44094
-18	155	-8.46227
-17	155	-8.54123
-16	155	-8.61061
-15	155	-8.68994
-14	155	-8.73713
-13	155	-8.81527
-12	155	-8.87969
-11	155	-8.92029
-10	155	-8.92614
-9	155	-8.91044
-8	155	-8.85567
-7	155	-8.92763
-6	155	-8.89499
-5	155	-8.88071
-4	155	-8.87051
-3	155	-8.83631
-2	155	-8.80311
-1	155	-8.81573
0	155	-8.82871
1	155	-8.80812
2	155	-8.84929
3	155	-8.82729
4	155	-8.80599
5	155	-8.80388
6	155	-8.78969
7	155	-8.72531
8	155	-8.64349

9	155	-8.53761
10	155	-8.36344
11	155	-8.14943
12	155	-7.90304
13	155	-7.68668
14	155	-7.43783
15	155	-7.2359
16	155	-6.875
17	155	-6.52233
18	155	-6.17587
19	155	-5.83229
20	155	-5.47357
21	155	-5.13227
22	155	-4.81775
23	155	-4.52472
24	155	-4.25671
25	155	-3.98649
26	155	-3.70858
27	155	-3.47559
28	155	-3.23516
29	155	-2.99302
30	155	-2.76619
31	155	-2.54406
32	155	-2.37717
33	155	-2.2459
34	155	-2.14569
35	155	-2.04931
36	155	-1.99299
37	155	-1.97091
38	155	-2.01808
39	155	-2.08026
40	155	-2.1788
41	155	-2.34488
42	155	-2.52213
43	155	-2.77896
44	155	-3.08563
45	155	-3.43825
46	155	-3.84244
47	155	-4.34302
48	155	-4.90913
49	155	-5.55957
50	155	-6.26726
51	155	-7.06876
52	155	-8.01116
53	155	-8.97967
54	155	-10.2007
55	155	-11.2735
56	155	-11.9797
57	155	-12.401
58	155	-12.2579
59	155	-11.63
60	155	-10.7422
61	155	-9.73417
62	155	-8.7533
63	155	-7.82079
64	155	-6.98894
65	155	-6.29216
66	155	-5.69246
67	155	-5.20904
68	155	-4.82992
69	155	-4.5396
70	155	-4.3274
71	155	-4.21794
72	155	-4.18289
73	155	-4.23573
74	155	-4.37465
75	155	-4.63965
76	155	-5.01018
77	155	-5.48226
78	155	-6.08566
79	155	-6.84469
80	155	-7.77821
81	155	-8.96287
82	155	-10.3904
83	155	-12.176
84	155	-14.4593
85	155	-17.4573
86	155	-20.9433
87	155	-22.2774
88	155	-19.1294
89	155	-15.9478
90	155	-13.5555
91	155	-11.6141
92	155	-10.1254
93	155	-8.92761
94	155	-7.96043
95	155	-7.20817
96	155	-6.59959
97	155	-6.12431
98	155	-5.80507
99	155	-5.60118
100	155	-5.01607
101	155	-5.03281
102	155	-5.16189
103	155	-5.3862

104	155	-5.6907
105	155	-6.05917
106	155	-6.55155
107	155	-7.15345
108	155	-7.86242
109	155	-8.75071
110	155	-9.84529
111	155	-10.918
112	155	-12.2719
113	155	-13.8008
114	155	-14.9626
115	155	-15.7388
116	155	-15.3868
117	155	-14.1253
118	155	-12.6028
119	155	-11.1612
120	155	-9.94606
121	155	-8.64378
122	155	-7.66371
123	155	-6.89735
124	155	-6.27192
125	155	-5.70528
126	155	-5.10117
127	155	-4.66302
128	155	-4.32599
129	155	-4.0278
130	155	-3.76745
131	155	-3.54362
132	155	-3.36314
133	155	-3.23694
134	155	-3.14412
135	155	-3.13802
136	155	-3.06895
137	155	-3.11792
138	155	-3.21578
139	155	-3.3499
140	155	-3.50892
141	155	-3.69079
142	155	-3.88251
143	155	-4.09433
144	155	-4.3341
145	155	-4.58088
146	155	-4.87264
147	155	-5.16344
148	155	-5.42417
149	155	-5.63716
150	155	-5.83876
151	155	-6.05228
152	155	-6.29797
153	155	-6.57672
154	155	-6.88096
155	155	-7.20983
156	155	-7.52106
157	155	-7.76369
158	155	-7.92693
159	155	-8.06942
160	155	-8.12945
161	155	-8.20571
162	155	-8.25088
163	155	-8.29364
164	155	-8.35234
165	155	-8.44624
166	155	-8.5073
167	155	-8.5123
168	155	-8.55758
169	155	-8.57469
170	155	-8.56948
171	155	-8.55592
172	155	-8.44778
173	155	-8.48596
174	155	-8.46764
175	155	-8.45044
176	155	-8.44484
177	155	-8.38574
178	155	-8.38075
179	155	-8.34541
180	155	-8.34188
-180	156	-7.92342
-179	156	-7.85779
-178	156	-7.7536
-177	156	-7.69218
-176	156	-7.57257
-175	156	-7.41065
-174	156	-7.27526
-173	156	-7.15652
-172	156	-7.02329
-171	156	-6.83699
-170	156	-6.61463
-169	156	-6.36855
-168	156	-6.12319
-167	156	-5.86747
-166	156	-5.62512
-165	156	-5.37724
-164	156	-5.11686
-163	156	-4.8251

-162	156	-4.5362
-161	156	-4.27162
-160	156	-4.00578
-159	156	-3.72464
-158	156	-3.45162
-157	156	-3.22566
-156	156	-3.02652
-155	156	-2.84313
-154	156	-2.67665
-153	156	-2.53718
-152	156	-2.40924
-151	156	-2.29164
-150	156	-2.17448
-149	156	-2.07284
-148	156	-1.99348
-147	156	-1.9321
-146	156	-1.9289
-145	156	-1.95392
-144	156	-1.97884
-143	156	-2.02611
-142	156	-2.12874
-141	156	-2.29062
-140	156	-2.50346
-139	156	-2.76821
-138	156	-3.05269
-137	156	-3.38213
-136	156	-3.78015
-135	156	-4.24044
-134	156	-4.74408
-133	156	-5.30592
-132	156	-5.99774
-131	156	-6.78854
-130	156	-7.61313
-129	156	-8.44285
-128	156	-9.62024
-127	156	-10.7107
-126	156	-11.4081
-125	156	-11.918
-124	156	-12.3198
-123	156	-12.0493
-122	156	-11.2623
-121	156	-10.4265
-120	156	-9.32827
-119	156	-8.32236
-118	156	-7.40298
-117	156	-6.64257
-116	156	-5.94524
-115	156	-5.36126
-114	156	-4.872
-113	156	-4.47861
-112	156	-4.16911
-111	156	-3.96908
-110	156	-3.95381
-109	156	-3.92058
-108	156	-3.99523
-107	156	-4.16268
-106	156	-4.42435
-105	156	-4.80043
-104	156	-5.31986
-103	156	-5.99623
-102	156	-6.8221
-101	156	-7.84446
-100	156	-9.09001
-99	156	-10.5184
-98	156	-12.5211
-97	156	-15.3292
-96	156	-19.4804
-95	156	-21.6682
-94	156	-30.3223
-93	156	-26.0079
-92	156	-19.2574
-91	156	-15.509
-90	156	-12.9747
-89	156	-11.0699
-88	156	-9.64978
-87	156	-8.48632
-86	156	-7.54806
-85	156	-6.8115
-84	156	-6.22339
-83	156	-5.74788
-82	156	-5.38525
-81	156	-5.12847
-80	156	-4.96412
-79	156	-4.87879
-78	156	-4.89584
-77	156	-5.00852
-76	156	-5.18842
-75	156	-5.48182
-74	156	-5.87088
-73	156	-6.35793
-72	156	-6.97595
-71	156	-7.69358
-70	156	-8.5454
-69	156	-9.48706
-68	156	-10.6202

-67	156	-11.858
-66	156	-13.0384
-65	156	-14.1106
-64	156	-14.7186
-63	156	-14.532
-62	156	-13.7095
-61	156	-12.5657
-60	156	-11.3996
-59	156	-10.2219
-58	156	-9.09348
-57	156	-8.11025
-56	156	-7.24547
-55	156	-6.52634
-54	156	-5.99642
-53	156	-5.42977
-52	156	-4.92289
-51	156	-4.51992
-50	156	-4.17841
-49	156	-3.86058
-48	156	-3.63938
-47	156	-3.39539
-46	156	-3.23102
-45	156	-3.07037
-44	156	-2.96746
-43	156	-2.92544
-42	156	-2.94588
-41	156	-3.00671
-40	156	-3.11334
-39	156	-3.21713
-38	156	-3.32127
-37	156	-3.44216
-36	156	-3.61004
-35	156	-3.78172
-34	156	-3.93048
-33	156	-4.08278
-32	156	-4.26687
-31	156	-4.46643
-30	156	-4.64845
-29	156	-4.80356
-28	156	-5.01519
-27	156	-5.24758
-26	156	-5.57512
-25	156	-5.862
-24	156	-6.1463
-23	156	-6.4096
-22	156	-6.63638
-21	156	-6.8074
-20	156	-6.97587
-19	156	-7.13249
-18	156	-7.28761
-17	156	-7.44949
-16	156	-7.59353
-15	156	-7.78885
-14	156	-7.91193
-13	156	-7.9984
-12	156	-8.11327
-11	156	-8.18777
-10	156	-8.22535
-9	156	-8.24608
-8	156	-8.28536
-7	156	-8.33981
-6	156	-8.36926
-5	156	-8.36441
-4	156	-8.34788
-3	156	-8.31761
-2	156	-8.28366
-1	156	-8.21759
0	156	-8.19878
1	156	-8.16968
2	156	-8.06171
3	156	-8.00957
4	156	-7.89519
5	156	-7.66804
6	156	-7.5192
7	156	-7.42518
8	156	-7.33232
9	156	-7.14452
10	156	-6.92167
11	156	-6.69126
12	156	-6.36368
13	156	-6.21256
14	156	-5.9701
15	156	-5.69933
16	156	-5.43335
17	156	-5.13712
18	156	-4.86076
19	156	-4.58263
20	156	-4.30897
21	156	-4.03346
22	156	-3.75174
23	156	-3.50829
24	156	-3.29392
25	156	-3.10603
26	156	-2.92817
27	156	-2.7892

28	156	-2.64938
29	156	-2.53274
30	156	-2.42388
31	156	-2.31976
32	156	-2.23781
33	156	-2.18079
34	156	-2.17319
35	156	-2.18546
36	156	-2.21376
37	156	-2.30655
38	156	-2.35929
39	156	-2.49281
40	156	-2.68807
41	156	-2.92679
42	156	-3.1911
43	156	-3.50769
44	156	-3.8978
45	156	-4.34853
46	156	-4.84615
47	156	-5.4289
48	156	-6.12449
49	156	-6.89958
50	156	-7.74234
51	156	-8.64017
52	156	-9.76144
53	156	-10.893
54	156	-11.7063
55	156	-12.2439
56	156	-12.4847
57	156	-12.2513
58	156	-11.5796
59	156	-10.7709
60	156	-9.70436
61	156	-8.75621
62	156	-7.86064
63	156	-7.07945
64	156	-6.40182
65	156	-5.82774
66	156	-5.34686
67	156	-4.95253
68	156	-4.65643
69	156	-4.44166
70	156	-4.30245
71	156	-4.2504
72	156	-4.28118
73	156	-4.41145
74	156	-4.58483
75	156	-4.88137
76	156	-5.2841
77	156	-5.81749
78	156	-6.47663
79	156	-7.27723
80	156	-8.24459
81	156	-9.39507
82	156	-10.8194
83	156	-12.6214
84	156	-14.8878
85	156	-17.7346
86	156	-20.6481
87	156	-21.7117
88	156	-18.9582
89	156	-16.0333
90	156	-13.6041
91	156	-11.7109
92	156	-10.2513
93	156	-9.05801
94	156	-8.07869
95	156	-7.2773
96	156	-6.65391
97	156	-6.18118
98	156	-5.83852
99	156	-5.58892
100	156	-4.93761
101	156	-4.86708
102	156	-4.92585
103	156	-5.04318
104	156	-5.27326
105	156	-5.63656
106	156	-6.0168
107	156	-6.52528
108	156	-7.11353
109	156	-7.83887
110	156	-8.7324
111	156	-9.743
112	156	-10.7364
113	156	-12.0319
114	156	-13.4007
115	156	-14.5611
116	156	-15.2847
117	156	-15.103
118	156	-14.3377
119	156	-13.1276
120	156	-11.8441
121	156	-10.6127
122	156	-9.30387

123	156	-8.29091
124	156	-7.36762
125	156	-6.72905
126	156	-6.13934
127	156	-5.56513
128	156	-5.04078
129	156	-4.6135
130	156	-4.28783
131	156	-3.99835
132	156	-3.74037
133	156	-3.49764
134	156	-3.31879
135	156	-3.22328
136	156	-3.11565
137	156	-3.08193
138	156	-3.10253
139	156	-3.13792
140	156	-3.21409
141	156	-3.29868
142	156	-3.40656
143	156	-3.52826
144	156	-3.70768
145	156	-3.87872
146	156	-4.03179
147	156	-4.19054
148	156	-4.37647
149	156	-4.55917
150	156	-4.7244
151	156	-4.90346
152	156	-5.1167
153	156	-5.37735
154	156	-5.67552
155	156	-5.97454
156	156	-6.25175
157	156	-6.49732
158	156	-6.70821
159	156	-6.90667
160	156	-7.06806
161	156	-7.18792
162	156	-7.31865
163	156	-7.47978
164	156	-7.60584
165	156	-7.76746
166	156	-7.89935
167	156	-7.97627
168	156	-8.01787
169	156	-8.08063
170	156	-8.09474
171	156	-8.10839
172	156	-8.13941
173	156	-8.15962
174	156	-8.15188
175	156	-8.14214
176	156	-8.11993
177	156	-8.09682
178	156	-8.06849
179	156	-7.99253
180	156	-7.92342
-180	157	-6.48821
-179	157	-6.39705
-178	157	-6.30347
-177	157	-6.1908
-176	157	-6.06882
-175	157	-5.96387
-174	157	-5.83635
-173	157	-5.70832
-172	157	-5.56508
-171	157	-5.40492
-170	157	-5.23425
-169	157	-5.04846
-168	157	-4.82951
-167	157	-4.60446
-166	157	-4.39407
-165	157	-4.17307
-164	157	-3.94917
-163	157	-3.75474
-162	157	-3.54644
-161	157	-3.35598
-160	157	-3.17097
-159	157	-2.97702
-158	157	-2.79418
-157	157	-2.63313
-156	157	-2.47961
-155	157	-2.35479
-154	157	-2.26392
-153	157	-2.187
-152	157	-2.12788
-151	157	-2.086
-150	157	-2.05066
-149	157	-2.03643
-148	157	-2.06341
-147	157	-2.10304
-146	157	-2.1576
-145	157	-2.2546
-144	157	-2.40152

-143	157	-2.59041
-142	157	-2.77909
-141	157	-2.97527
-140	157	-3.21955
-139	157	-3.5218
-138	157	-3.90351
-137	157	-4.3363
-136	157	-4.85246
-135	157	-5.40582
-134	157	-5.96085
-133	157	-6.68833
-132	157	-7.46657
-131	157	-8.34649
-130	157	-9.3595
-129	157	-10.3764
-128	157	-11.0262
-127	157	-11.6825
-126	157	-11.9767
-125	157	-12.1543
-124	157	-11.7035
-123	157	-10.9306
-122	157	-9.99715
-121	157	-9.05008
-120	157	-8.17328
-119	157	-7.39037
-118	157	-6.59829
-117	157	-5.97011
-116	157	-5.37977
-115	157	-4.90993
-114	157	-4.50764
-113	157	-4.23199
-112	157	-4.01227
-111	157	-3.87912
-110	157	-3.82291
-109	157	-3.87574
-108	157	-4.02084
-107	157	-4.26217
-106	157	-4.60576
-105	157	-5.04845
-104	157	-5.59382
-103	157	-6.23248
-102	157	-7.03943
-101	157	-8.02362
-100	157	-9.3693
-99	157	-11.0092
-98	157	-13.1463
-97	157	-16.171
-96	157	-17.5529
-95	157	-22.4813
-94	157	-31.26
-93	157	-25.3029
-92	157	-19.0983
-91	157	-15.5659
-90	157	-13.0849
-89	157	-11.2271
-88	157	-9.75527
-87	157	-8.56077
-86	157	-7.61273
-85	157	-6.84739
-84	157	-6.23148
-83	157	-5.73318
-82	157	-5.33815
-81	157	-5.04657
-80	157	-4.85843
-79	157	-4.74628
-78	157	-4.71645
-77	157	-4.78325
-76	157	-4.93356
-75	157	-5.11507
-74	157	-5.43101
-73	157	-5.82395
-72	157	-6.31956
-71	157	-6.90159
-70	157	-7.59919
-69	157	-8.42704
-68	157	-9.37801
-67	157	-10.4463
-66	157	-11.5988
-65	157	-12.7819
-64	157	-13.8258
-63	157	-14.5138
-62	157	-14.6467
-61	157	-14.1401
-60	157	-13.2463
-59	157	-12.0308
-58	157	-10.8437
-57	157	-9.80026
-56	157	-8.86325
-55	157	-8.02079
-54	157	-7.24285
-53	157	-6.61235
-52	157	-6.11086
-51	157	-5.55775
-50	157	-5.0128
-49	157	-4.59274

-48	157	-4.26252
-47	157	-3.92832
-46	157	-3.65036
-45	157	-3.43993
-44	157	-3.25287
-43	157	-3.15148
-42	157	-3.08909
-41	157	-3.05542
-40	157	-3.0562
-39	157	-3.08964
-38	157	-3.14279
-37	157	-3.18424
-36	157	-3.20413
-35	157	-3.25205
-34	157	-3.34894
-33	157	-3.44709
-32	157	-3.52813
-31	157	-3.57953
-30	157	-3.67834
-29	157	-3.84071
-28	157	-4.05484
-27	157	-4.23496
-26	157	-4.48528
-25	157	-4.69321
-24	157	-4.90148
-23	157	-5.08659
-22	157	-5.25088
-21	157	-5.40767
-20	157	-5.55058
-19	157	-5.6906
-18	157	-5.82986
-17	157	-5.97318
-16	157	-6.10619
-15	157	-6.21568
-14	157	-6.31738
-13	157	-6.44325
-12	157	-6.51404
-11	157	-6.5802
-10	157	-6.7053
-9	157	-6.75405
-8	157	-6.78817
-7	157	-6.84486
-6	157	-6.84921
-5	157	-6.84519
-4	157	-6.82286
-3	157	-6.79786
-2	157	-6.7452
-1	157	-6.63713
0	157	-6.54163
1	157	-6.48094
2	157	-6.425
3	157	-6.2861
4	157	-6.1901
5	157	-6.04617
6	157	-5.94169
7	157	-5.79614
8	157	-5.59878
9	157	-5.46046
10	157	-5.22301
11	157	-5.1443
12	157	-4.9599
13	157	-4.76536
14	157	-4.56124
15	157	-4.36681
16	157	-4.1579
17	157	-3.95545
18	157	-3.73083
19	157	-3.5405
20	157	-3.35888
21	157	-3.18558
22	157	-3.00303
23	157	-2.83168
24	157	-2.67437
25	157	-2.56783
26	157	-2.44081
27	157	-2.38144
28	157	-2.30215
29	157	-2.25256
30	157	-2.21911
31	157	-2.2183
32	157	-2.23485
33	157	-2.28182
34	157	-2.31892
35	157	-2.42027
36	157	-2.56707
37	157	-2.7437
38	157	-2.93239
39	157	-3.16388
40	157	-3.41125
41	157	-3.72413
42	157	-4.11209
43	157	-4.5588
44	157	-5.0321
45	157	-5.55761
46	157	-6.14456

47	157	-6.83462
48	157	-7.6251
49	157	-8.54326
50	157	-9.56084
51	157	-10.7
52	157	-11.4176
53	157	-12.0869
54	157	-12.4764
55	157	-12.4832
56	157	-12.0575
57	157	-11.316
58	157	-10.4465
59	157	-9.54945
60	157	-8.66145
61	157	-7.83885
62	157	-7.12475
63	157	-6.47176
64	157	-5.90709
65	157	-5.43828
66	157	-5.0641
67	157	-4.77543
68	157	-4.5634
69	157	-4.39928
70	157	-4.32683
71	157	-4.33182
72	157	-4.39912
73	157	-4.57304
74	157	-4.84581
75	157	-5.18445
76	157	-5.62001
77	157	-6.16376
78	157	-6.86554
79	157	-7.66444
80	157	-8.68803
81	157	-9.90103
82	157	-11.3192
83	157	-13.0301
84	157	-15.3622
85	157	-18.2477
86	157	-21.182
87	157	-21.7289
88	157	-18.9898
89	157	-15.9995
90	157	-13.6343
91	157	-11.7931
92	157	-10.3285
93	157	-9.12102
94	157	-8.14645
95	157	-7.35324
96	157	-6.71584
97	157	-6.19071
98	157	-5.76333
99	157	-5.46767
100	157	-5.282
101	157	-4.74471
102	157	-4.7549
103	157	-4.84076
104	157	-5.00687
105	157	-5.24528
106	157	-5.58619
107	157	-5.94728
108	157	-6.40217
109	157	-7.0261
110	157	-7.77082
111	157	-8.63227
112	157	-9.60815
113	157	-10.7251
114	157	-11.6804
115	157	-12.9282
116	157	-14.0897
117	157	-14.9263
118	157	-15.1815
119	157	-14.7457
120	157	-13.7251
121	157	-12.4849
122	157	-11.2636
123	157	-9.96196
124	157	-8.97343
125	157	-8.0816
126	157	-7.32863
127	157	-6.64721
128	157	-6.17147
129	157	-5.6269
130	157	-5.11033
131	157	-4.70981
132	157	-4.36282
133	157	-4.03955
134	157	-3.74034
135	157	-3.55518
136	157	-3.35083
137	157	-3.25389
138	157	-3.17547
139	157	-3.14274
140	157	-3.13991
141	157	-3.16035

142	157	-3.21459
143	157	-3.26426
144	157	-3.29777
145	157	-3.36638
146	157	-3.45435
147	157	-3.57882
148	157	-3.64529
149	157	-3.69498
150	157	-3.7798
151	157	-3.93512
152	157	-4.14575
153	157	-4.37921
154	157	-4.60694
155	157	-4.82337
156	157	-5.01913
157	157	-5.2059
158	157	-5.38338
159	157	-5.53671
160	157	-5.65874
161	157	-5.79164
162	157	-5.93129
163	157	-6.06457
164	157	-6.19792
165	157	-6.31192
166	157	-6.4444
167	157	-6.56443
168	157	-6.67438
169	157	-6.67446
170	157	-6.7707
171	157	-6.77945
172	157	-6.81124
173	157	-6.85502
174	157	-6.85502
175	157	-6.81849
176	157	-6.80351
177	157	-6.77778
178	157	-6.67506
179	157	-6.61561
180	157	-6.48821
-180	158	-5.08978
-179	158	-4.96637
-178	158	-4.90313
-177	158	-4.81904
-176	158	-4.71187
-175	158	-4.62802
-174	158	-4.51113
-173	158	-4.4084
-172	158	-4.28362
-171	158	-4.17216
-170	158	-4.04225
-169	158	-3.9043
-168	158	-3.75129
-167	158	-3.59582
-166	158	-3.45252
-165	158	-3.31699
-164	158	-3.17118
-163	158	-3.02919
-162	158	-2.9064
-161	158	-2.7609
-160	158	-2.63005
-159	158	-2.50325
-158	158	-2.40014
-157	158	-2.29736
-156	158	-2.20801
-155	158	-2.13607
-154	158	-2.08568
-153	158	-2.07794
-152	158	-2.08921
-151	158	-2.1024
-150	158	-2.1497
-149	158	-2.22063
-148	158	-2.32047
-147	158	-2.4515
-146	158	-2.6049
-145	158	-2.77403
-144	158	-2.98
-143	158	-3.2304
-142	158	-3.54459
-141	158	-3.91097
-140	158	-4.27102
-139	158	-4.63849
-138	158	-5.07511
-137	158	-5.58959
-136	158	-6.16587
-135	158	-6.82505
-134	158	-7.51172
-133	158	-8.23032
-132	158	-9.22031
-131	158	-10.2458
-130	158	-10.7707
-129	158	-11.4557
-128	158	-11.8809
-127	158	-12.2049
-126	158	-11.9524
-125	158	-11.3355

-124	158	-10.5424
-123	158	-9.68816
-122	158	-8.80682
-121	158	-7.98787
-120	158	-7.24475
-119	158	-6.56612
-118	158	-5.96031
-117	158	-5.44247
-116	158	-4.98888
-115	158	-4.63834
-114	158	-4.33861
-113	158	-4.08041
-112	158	-4.03608
-111	158	-3.90312
-110	158	-3.88975
-109	158	-3.98644
-108	158	-4.15034
-107	158	-4.39075
-106	158	-4.74734
-105	158	-5.22881
-104	158	-5.85459
-103	158	-6.60243
-102	158	-7.40055
-101	158	-8.43571
-100	158	-9.67742
-99	158	-11.2467
-98	158	-13.285
-97	158	-16.4022
-96	158	-18.3921
-95	158	-23.7078
-94	158	-32.7255
-93	158	-25.0077
-92	158	-19.0664
-91	158	-15.5542
-90	158	-13.1387
-89	158	-11.3063
-88	158	-9.83617
-87	158	-8.62747
-86	158	-7.67364
-85	158	-6.91279
-84	158	-6.26545
-83	158	-5.79306
-82	158	-5.39038
-81	158	-5.07277
-80	158	-4.8532
-79	158	-4.69785
-78	158	-4.63195
-77	158	-4.643
-76	158	-4.71321
-75	158	-4.86902
-74	158	-5.08595
-73	158	-5.37785
-72	158	-5.76019
-71	158	-6.22048
-70	158	-6.77443
-69	158	-7.42315
-68	158	-8.17616
-67	158	-9.03089
-66	158	-9.98772
-65	158	-11.0164
-64	158	-12.162
-63	158	-13.2333
-62	158	-14.0891
-61	158	-14.531
-60	158	-14.3784
-59	158	-13.7031
-58	158	-12.7594
-57	158	-11.7546
-56	158	-10.7976
-55	158	-9.83875
-54	158	-8.91192
-53	158	-8.07418
-52	158	-7.30515
-51	158	-6.67785
-50	158	-6.10379
-49	158	-5.63654
-48	158	-5.14529
-47	158	-4.74216
-46	158	-4.4117
-45	158	-4.08508
-44	158	-3.85101
-43	158	-3.66154
-42	158	-3.54403
-41	158	-3.45956
-40	158	-3.36696
-39	158	-3.26599
-38	158	-3.17685
-37	158	-3.12926
-36	158	-3.11016
-35	158	-3.10006
-34	158	-3.08523
-33	158	-3.0472
-32	158	-3.03242
-31	158	-3.07496
-30	158	-3.16113

-29	158	-3.27983
-28	158	-3.42445
-27	158	-3.53669
-26	158	-3.64925
-25	158	-3.76315
-24	158	-3.88379
-23	158	-4.01046
-22	158	-4.13256
-21	158	-4.24902
-20	158	-4.35141
-19	158	-4.44732
-18	158	-4.54325
-17	158	-4.62155
-16	158	-4.7069
-15	158	-4.79731
-14	158	-4.88616
-13	158	-4.95004
-12	158	-5.047
-11	158	-5.11108
-10	158	-5.17531
-9	158	-5.23577
-8	158	-5.26595
-7	158	-5.26016
-6	158	-5.25218
-5	158	-5.23705
-4	158	-5.22428
-3	158	-5.19644
-2	158	-5.14524
-1	158	-5.11105
0	158	-5.01936
1	158	-4.95772
2	158	-4.90929
3	158	-4.84895
4	158	-4.71395
5	158	-4.66838
6	158	-4.54346
7	158	-4.45731
8	158	-4.28503
9	158	-4.20929
10	158	-4.08893
11	158	-3.94144
12	158	-3.8035
13	158	-3.73759
14	158	-3.57474
15	158	-3.43347
16	158	-3.28902
17	158	-3.14143
18	158	-3.01059
19	158	-2.867
20	158	-2.76117
21	158	-2.6503
22	158	-2.55655
23	158	-2.46139
24	158	-2.37579
25	158	-2.32211
26	158	-2.27584
27	158	-2.28277
28	158	-2.30765
29	158	-2.30353
30	158	-2.34166
31	158	-2.40946
32	158	-2.49968
33	158	-2.61018
34	158	-2.74693
35	158	-2.90476
36	158	-3.11101
37	158	-3.34745
38	158	-3.66187
39	158	-4.00659
40	158	-4.37724
41	158	-4.78474
42	158	-5.24337
43	158	-5.7684
44	158	-6.34682
45	158	-7.01871
46	158	-7.75276
47	158	-8.50854
48	158	-9.58103
49	158	-10.6384
50	158	-11.3444
51	158	-12.158
52	158	-12.6859
53	158	-12.8427
54	158	-12.603
55	158	-12.0011
56	158	-11.1785
57	158	-10.2883
58	158	-9.37357
59	158	-8.52866
60	158	-7.79059
61	158	-7.0874
62	158	-6.46274
63	158	-5.95127
64	158	-5.5205
65	158	-5.15615

66	158	-4.85634
67	158	-4.64094
68	158	-4.49271
69	158	-4.39954
70	158	-4.3813
71	158	-4.43153
72	158	-4.55275
73	158	-4.75614
74	158	-5.08205
75	158	-5.43319
76	158	-5.94547
77	158	-6.56331
78	158	-7.22957
79	158	-8.03535
80	158	-9.04367
81	158	-10.3443
82	158	-11.8643
83	158	-13.7477
84	158	-16.1171
85	158	-19.0526
86	158	-21.8695
87	158	-21.7931
88	158	-18.8082
89	158	-15.917
90	158	-13.6191
91	158	-11.8003
92	158	-10.3329
93	158	-9.14418
94	158	-8.21819
95	158	-7.4725
96	158	-6.82632
97	158	-6.28088
98	158	-5.85322
99	158	-5.52736
100	158	-5.28993
101	158	-4.68927
102	158	-4.64672
103	158	-4.68338
104	158	-4.78668
105	158	-4.97801
106	158	-5.24331
107	158	-5.59432
108	158	-5.96198
109	158	-6.46058
110	158	-7.02522
111	158	-7.70491
112	158	-8.48288
113	158	-9.36157
114	158	-10.3157
115	158	-11.0943
116	158	-12.3279
117	158	-13.4546
118	158	-14.4617
119	158	-15.0628
120	158	-14.9892
121	158	-14.3192
122	158	-13.3115
123	158	-12.1546
124	158	-10.8802
125	158	-9.80183
126	158	-8.94754
127	158	-8.08981
128	158	-7.32886
129	158	-6.73794
130	158	-6.18974
131	158	-5.72142
132	158	-5.21087
133	158	-4.7988
134	158	-4.47148
135	158	-4.19022
136	158	-3.90762
137	158	-3.69051
138	158	-3.57567
139	158	-3.50135
140	158	-3.42727
141	158	-3.33916
142	158	-3.24756
143	158	-3.19334
144	158	-3.18249
145	158	-3.18379
146	158	-3.179
147	158	-3.15863
148	158	-3.14138
149	158	-3.15604
150	158	-3.24503
151	158	-3.36111
152	158	-3.50253
153	158	-3.64905
154	158	-3.7826
155	158	-3.90401
156	158	-4.02059
157	158	-4.14609
158	158	-4.26826
159	158	-4.39285
160	158	-4.49268

161	158	-4.60494
162	158	-4.67066
163	158	-4.74321
164	158	-4.84339
165	158	-4.94047
166	158	-5.02941
167	158	-5.1295
168	158	-5.23447
169	158	-5.26545
170	158	-5.28189
171	158	-5.32304
172	158	-5.34316
173	158	-5.35039
174	158	-5.33878
175	158	-5.32555
176	158	-5.31036
177	158	-5.26342
178	158	-5.24561
179	158	-5.20752
180	158	-5.08978
-180	159	-3.92173
-179	159	-3.84584
-178	159	-3.76626
-177	159	-3.72036
-176	159	-3.65768
-175	159	-3.59346
-174	159	-3.51727
-173	159	-3.44578
-172	159	-3.37596
-171	159	-3.30457
-170	159	-3.2245
-169	159	-3.13416
-168	159	-3.0443
-167	159	-2.95322
-166	159	-2.8639
-165	159	-2.75924
-164	159	-2.67272
-163	159	-2.57536
-162	159	-2.49364
-161	159	-2.43415
-160	159	-2.36938
-159	159	-2.31904
-158	159	-2.28854
-157	159	-2.26964
-156	159	-2.24251
-155	159	-2.22188
-154	159	-2.21348
-153	159	-2.25526
-152	159	-2.32081
-151	159	-2.4134
-150	159	-2.52484
-149	159	-2.64913
-148	159	-2.79139
-147	159	-2.97423
-146	159	-3.20562
-145	159	-3.48361
-144	159	-3.78062
-143	159	-4.11776
-142	159	-4.49804
-141	159	-4.92602
-140	159	-5.39073
-139	159	-5.90954
-138	159	-6.48466
-137	159	-7.08014
-136	159	-7.71123
-135	159	-8.60645
-134	159	-9.51347
-133	159	-10.1363
-132	159	-10.9499
-131	159	-11.6568
-130	159	-11.9723
-129	159	-12.2636
-128	159	-12.0834
-127	159	-11.6106
-126	159	-10.9352
-125	159	-10.1134
-124	159	-9.28108
-123	159	-8.46226
-122	159	-7.70219
-121	159	-7.02584
-120	159	-6.39524
-119	159	-5.8722
-118	159	-5.39627
-117	159	-5.00268
-116	159	-4.6634
-115	159	-4.37448
-114	159	-4.15608
-113	159	-4.03263
-112	159	-3.9527
-111	159	-3.90885
-110	159	-3.93857
-109	159	-4.09894
-108	159	-4.26484
-107	159	-4.60878
-106	159	-5.02598

-105	159	-5.50297
-104	159	-6.10026
-103	159	-6.7775
-102	159	-7.69168
-101	159	-8.77975
-100	159	-10.1165
-99	159	-11.707
-98	159	-13.7404
-97	159	-16.2948
-96	159	-19.0259
-95	159	-24.8555
-94	159	-36.5783
-93	159	-24.7683
-92	159	-18.9287
-91	159	-15.5779
-90	159	-13.2065
-89	159	-11.3878
-88	159	-9.94512
-87	159	-8.7625
-86	159	-7.82344
-85	159	-7.04289
-84	159	-6.42591
-83	159	-5.92051
-82	159	-5.51386
-81	159	-5.14631
-80	159	-4.90199
-79	159	-4.70941
-78	159	-4.60238
-77	159	-4.56055
-76	159	-4.54585
-75	159	-4.65552
-74	159	-4.82504
-73	159	-5.054
-72	159	-5.31812
-71	159	-5.68273
-70	159	-6.14444
-69	159	-6.62197
-68	159	-7.22868
-67	159	-7.89816
-66	159	-8.67911
-65	159	-9.54362
-64	159	-10.507
-63	159	-11.4781
-62	159	-12.4313
-61	159	-13.3091
-60	159	-14.0082
-59	159	-14.3594
-58	159	-14.178
-57	159	-13.5394
-56	159	-12.7254
-55	159	-11.8146
-54	159	-10.8421
-53	159	-9.91046
-52	159	-9.04111
-51	159	-8.21858
-50	159	-7.46691
-49	159	-6.85073
-48	159	-6.2734
-47	159	-5.80999
-46	159	-5.39278
-45	159	-5.02651
-44	159	-4.73648
-43	159	-4.48711
-42	159	-4.2389
-41	159	-4.0314
-40	159	-3.81965
-39	159	-3.70723
-38	159	-3.56406
-37	159	-3.44165
-36	159	-3.30982
-35	159	-3.23792
-34	159	-3.09096
-33	159	-2.99336
-32	159	-2.95103
-31	159	-2.9648
-30	159	-2.99184
-29	159	-3.04535
-28	159	-3.09114
-27	159	-3.14861
-26	159	-3.18736
-25	159	-3.22668
-24	159	-3.27625
-23	159	-3.3354
-22	159	-3.38999
-21	159	-3.44663
-20	159	-3.51088
-19	159	-3.57774
-18	159	-3.61341
-17	159	-3.64022
-16	159	-3.68237
-15	159	-3.74402
-14	159	-3.8219
-13	159	-3.85862
-12	159	-3.88073
-11	159	-3.91007

-10	159	-3.94768
-9	159	-3.97054
-8	159	-4.00923
-7	159	-4.01624
-6	159	-4.01624
-5	159	-3.99528
-4	159	-3.96507
-3	159	-3.93391
-2	159	-3.90801
-1	159	-3.85661
0	159	-3.82012
1	159	-3.75802
2	159	-3.69515
3	159	-3.65296
4	159	-3.61033
5	159	-3.45339
6	159	-3.50296
7	159	-3.42908
8	159	-3.32457
9	159	-3.27849
10	159	-3.19559
11	159	-3.12444
12	159	-3.06226
13	159	-2.99064
14	159	-2.92008
15	159	-2.8195
16	159	-2.72155
17	159	-2.67218
18	159	-2.59547
19	159	-2.53905
20	159	-2.48234
21	159	-2.42745
22	159	-2.41575
23	159	-2.44839
24	159	-2.38257
25	159	-2.38101
26	159	-2.39194
27	159	-2.45278
28	159	-2.52975
29	159	-2.62927
30	159	-2.74217
31	159	-2.85279
32	159	-3.02461
33	159	-3.21111
34	159	-3.42704
35	159	-3.6812
36	159	-3.91994
37	159	-4.26045
38	159	-4.63097
39	159	-5.05971
40	159	-5.53223
41	159	-6.06536
42	159	-6.63637
43	159	-7.23015
44	159	-7.87007
45	159	-8.77325
46	159	-9.75092
47	159	-10.4345
48	159	-11.3293
49	159	-12.1237
50	159	-12.6058
51	159	-12.8733
52	159	-12.6858
53	159	-12.3226
54	159	-11.4934
55	159	-10.6883
56	159	-9.84788
57	159	-9.02093
58	159	-8.24524
59	159	-7.55248
60	159	-6.92749
61	159	-6.3897
62	159	-5.888
63	159	-5.4685
64	159	-5.13233
65	159	-4.86457
66	159	-4.65966
67	159	-4.51904
68	159	-4.43131
69	159	-4.39267
70	159	-4.43009
71	159	-4.53598
72	159	-4.70683
73	159	-4.95915
74	159	-5.29428
75	159	-5.69162
76	159	-6.1642
77	159	-6.80088
78	159	-7.58362
79	159	-8.48839
80	159	-9.58632
81	159	-10.8574
82	159	-12.3977
83	159	-14.3648
84	159	-16.8897

85	159	-20.0992
86	159	-22.9774
87	159	-22.2253
88	159	-19.017
89	159	-16.1749
90	159	-13.9052
91	159	-12.1108
92	159	-10.6383
93	159	-9.42544
94	159	-8.45849
95	159	-7.62663
96	159	-6.94031
97	159	-6.39159
98	159	-5.93624
99	159	-5.57816
100	159	-5.31413
101	159	-5.11304
102	159	-4.60194
103	159	-4.60215
104	159	-4.66184
105	159	-4.79803
106	159	-4.98044
107	159	-5.27707
108	159	-5.61329
109	159	-5.95726
110	159	-6.40568
111	159	-6.92633
112	159	-7.50799
113	159	-8.21214
114	159	-9.01099
115	159	-9.91151
116	159	-10.9353
117	159	-11.8167
118	159	-12.9308
119	159	-13.9605
120	159	-14.7208
121	159	-14.9108
122	159	-14.7695
123	159	-14.068
124	159	-13.1921
125	159	-11.9058
126	159	-10.8964
127	159	-9.98311
128	159	-9.07069
129	159	-8.31302
130	159	-7.58118
131	159	-6.92695
132	159	-6.34157
133	159	-5.85199
134	159	-5.41914
135	159	-5.09894
136	159	-4.79515
137	159	-4.51267
138	159	-4.25683
139	159	-4.05565
140	159	-3.90315
141	159	-3.75432
142	159	-3.61313
143	159	-3.4994
144	159	-3.39666
145	159	-3.28695
146	159	-3.18317
147	159	-3.10584
148	159	-3.07467
149	159	-3.09135
150	159	-3.14195
151	159	-3.20195
152	159	-3.26313
153	159	-3.32292
154	159	-3.36923
155	159	-3.4294
156	159	-3.49155
157	159	-3.55467
158	159	-3.62971
159	159	-3.68606
160	159	-3.74145
161	159	-3.80169
162	159	-3.84528
163	159	-3.88235
164	159	-3.94206
165	159	-4.00199
166	159	-4.07406
167	159	-4.08208
168	159	-4.12418
169	159	-4.1582
170	159	-4.18451
171	159	-4.17759
172	159	-4.15734
173	159	-4.13407
174	159	-4.11036
175	159	-4.08169
176	159	-4.07537
177	159	-4.04698
178	159	-4.02656
179	159	-3.96991

180	159	-3.92173
-180	160	-3.17783
-179	160	-3.16152
-178	160	-3.11251
-177	160	-3.05166
-176	160	-3.01937
-175	160	-2.97822
-174	160	-2.93384
-173	160	-2.88097
-172	160	-2.84334
-171	160	-2.80801
-170	160	-2.76946
-169	160	-2.72747
-168	160	-2.68209
-167	160	-2.63915
-166	160	-2.59785
-165	160	-2.56037
-164	160	-2.51275
-163	160	-2.48049
-162	160	-2.45653
-161	160	-2.43804
-160	160	-2.42854
-159	160	-2.42676
-158	160	-2.44564
-157	160	-2.4735
-156	160	-2.54581
-155	160	-2.60834
-154	160	-2.68997
-153	160	-2.7892
-152	160	-2.92198
-151	160	-3.08884
-150	160	-3.28996
-149	160	-3.50809
-148	160	-3.7437
-147	160	-3.99202
-146	160	-4.2754
-145	160	-4.60311
-144	160	-4.97288
-143	160	-5.37368
-142	160	-5.79386
-141	160	-6.27597
-140	160	-6.80252
-139	160	-7.36685
-138	160	-8.1953
-137	160	-9.05396
-136	160	-9.62768
-135	160	-10.3726
-134	160	-11.0668
-133	160	-11.6642
-132	160	-12.0779
-131	160	-12.3783
-130	160	-12.2268
-129	160	-11.7514
-128	160	-11.0872
-127	160	-10.4165
-126	160	-9.54072
-125	160	-8.7442
-124	160	-8.01205
-123	160	-7.32158
-122	160	-6.69393
-121	160	-6.11431
-120	160	-5.61224
-119	160	-5.18128
-118	160	-4.80231
-117	160	-4.50463
-116	160	-4.26641
-115	160	-4.09302
-114	160	-4.01554
-113	160	-3.9301
-112	160	-3.89811
-111	160	-3.93753
-110	160	-4.01955
-109	160	-4.20132
-108	160	-4.44308
-107	160	-4.78599
-106	160	-5.19797
-105	160	-5.73837
-104	160	-6.356
-103	160	-7.05539
-102	160	-7.97134
-101	160	-9.12522
-100	160	-10.5142
-99	160	-12.2445
-98	160	-14.4464
-97	160	-15.9865
-96	160	-19.35
-95	160	-25.0686
-94	160	-43.2321
-93	160	-25.9443
-92	160	-19.6619
-91	160	-16.1615
-90	160	-13.694
-89	160	-11.8736
-88	160	-10.3896
-87	160	-9.15302

-86	160	-8.15225
-85	160	-7.36032
-84	160	-6.70123
-83	160	-6.15156
-82	160	-5.67877
-81	160	-5.28791
-80	160	-4.9957
-79	160	-4.78351
-78	160	-4.62223
-77	160	-4.52578
-76	160	-4.47978
-75	160	-4.52831
-74	160	-4.62668
-73	160	-4.7958
-72	160	-5.02722
-71	160	-5.29673
-70	160	-5.57654
-69	160	-5.96484
-68	160	-6.42166
-67	160	-6.9636
-66	160	-7.57156
-65	160	-8.25634
-64	160	-8.96878
-63	160	-9.74549
-62	160	-10.6439
-61	160	-11.6142
-60	160	-12.5881
-59	160	-13.4949
-58	160	-14.1465
-57	160	-14.3808
-56	160	-14.2149
-55	160	-13.729
-54	160	-13.0353
-53	160	-12.1449
-52	160	-11.217
-51	160	-10.3171
-50	160	-9.51073
-49	160	-8.7699
-48	160	-8.10384
-47	160	-7.41852
-46	160	-6.83818
-45	160	-6.34248
-44	160	-5.93892
-43	160	-5.62681
-42	160	-5.28478
-41	160	-5.02959
-40	160	-4.79376
-39	160	-4.54571
-38	160	-4.27879
-37	160	-4.0106
-36	160	-3.78804
-35	160	-3.61769
-34	160	-3.48104
-33	160	-3.39081
-32	160	-3.33282
-31	160	-3.28442
-30	160	-3.26193
-29	160	-3.23768
-28	160	-3.1983
-27	160	-3.16851
-26	160	-3.16569
-25	160	-3.15678
-24	160	-3.13611
-23	160	-3.09805
-22	160	-3.13464
-21	160	-3.1799
-20	160	-3.21736
-19	160	-3.21384
-18	160	-3.20951
-17	160	-3.21834
-16	160	-3.22468
-15	160	-3.22874
-14	160	-3.23539
-13	160	-3.24025
-12	160	-3.25293
-11	160	-3.26258
-10	160	-3.26462
-9	160	-3.26607
-8	160	-3.27879
-7	160	-3.3009
-6	160	-3.29057
-5	160	-3.29639
-4	160	-3.30034
-3	160	-3.27267
-2	160	-3.24672
-1	160	-3.21183
0	160	-3.17824
1	160	-3.14358
2	160	-2.98895
3	160	-3.04677
4	160	-3.0159
5	160	-2.97993
6	160	-2.94744
7	160	-2.88129
8	160	-2.86129

9	160	-2.80017
10	160	-2.73362
11	160	-2.73726
12	160	-2.71525
13	160	-2.70224
14	160	-2.69478
15	160	-2.64995
16	160	-2.62719
17	160	-2.66771
18	160	-2.64661
19	160	-2.57874
20	160	-2.56556
21	160	-2.56678
22	160	-2.61108
23	160	-2.6538
24	160	-2.70517
25	160	-2.76763
26	160	-2.84395
27	160	-2.93926
28	160	-3.07758
29	160	-3.2467
30	160	-3.4575
31	160	-3.6811
32	160	-3.93118
33	160	-4.19544
34	160	-4.49216
35	160	-4.80142
36	160	-5.20134
37	160	-5.61382
38	160	-6.02975
39	160	-6.52473
40	160	-7.06407
41	160	-7.66765
42	160	-8.53243
43	160	-9.41519
44	160	-9.98277
45	160	-10.7522
46	160	-11.5078
47	160	-12.2929
48	160	-12.6454
49	160	-12.9122
50	160	-12.8793
51	160	-12.4616
52	160	-11.7896
53	160	-10.9594
54	160	-10.1284
55	160	-9.35915
56	160	-8.63634
57	160	-7.96138
58	160	-7.31551
59	160	-6.734
60	160	-6.23883
61	160	-5.79443
62	160	-5.41051
63	160	-5.09212
64	160	-4.85631
65	160	-4.67212
66	160	-4.53137
67	160	-4.45528
68	160	-4.41781
69	160	-4.42902
70	160	-4.50499
71	160	-4.65922
72	160	-4.89418
73	160	-5.19781
74	160	-5.565
75	160	-6.0466
76	160	-6.55023
77	160	-7.20316
78	160	-7.94592
79	160	-8.82874
80	160	-9.93002
81	160	-11.2377
82	160	-12.8501
83	160	-14.7993
84	160	-17.3091
85	160	-20.5339
86	160	-23.5005
87	160	-22.8413
88	160	-19.4686
89	160	-16.488
90	160	-14.1517
91	160	-12.34
92	160	-10.8858
93	160	-9.66492
94	160	-8.66564
95	160	-7.82705
96	160	-7.1295
97	160	-6.55434
98	160	-6.05285
99	160	-5.66702
100	160	-5.38674
101	160	-5.17662
102	160	-4.60576
103	160	-4.55866

104	160	-4.57463
105	160	-4.65345
106	160	-4.79537
107	160	-4.98976
108	160	-5.23937
109	160	-5.5509
110	160	-5.91971
111	160	-6.25946
112	160	-6.73489
113	160	-7.30836
114	160	-7.91915
115	160	-8.69451
116	160	-9.51037
117	160	-10.4499
118	160	-11.4056
119	160	-12.2506
120	160	-13.2336
121	160	-14.2705
122	160	-14.864
123	160	-15.104
124	160	-14.8221
125	160	-14.1869
126	160	-13.2979
127	160	-12.3538
128	160	-11.2969
129	160	-10.3438
130	160	-9.5738
131	160	-8.75566
132	160	-8.01577
133	160	-7.36052
134	160	-6.77997
135	160	-6.35884
136	160	-5.9687
137	160	-5.63621
138	160	-5.29317
139	160	-5.01588
140	160	-4.76922
141	160	-4.53246
142	160	-4.30031
143	160	-4.07323
144	160	-3.84915
145	160	-3.65865
146	160	-3.5415
147	160	-3.46095
148	160	-3.40893
149	160	-3.37327
150	160	-3.35441
151	160	-3.33193
152	160	-3.31099
153	160	-3.29518
154	160	-3.28838
155	160	-3.28277
156	160	-3.28756
157	160	-3.29137
158	160	-3.30562
159	160	-3.35235
160	160	-3.39526
161	160	-3.39335
162	160	-3.39515
163	160	-3.40264
164	160	-3.40274
165	160	-3.39707
166	160	-3.40534
167	160	-3.40734
168	160	-3.41482
169	160	-3.4257
170	160	-3.45054
171	160	-3.44273
172	160	-3.43648
173	160	-3.42305
174	160	-3.42961
175	160	-3.39792
176	160	-3.39215
177	160	-3.36222
178	160	-3.30849
179	160	-3.26515
180	160	-3.17783
-180	161	-2.86355
-179	161	-2.83114
-178	161	-2.81987
-177	161	-2.79523
-176	161	-2.75079
-175	161	-2.72286
-174	161	-2.72733
-173	161	-2.71478
-172	161	-2.70655
-171	161	-2.70094
-170	161	-2.68667
-169	161	-2.67239
-168	161	-2.66429
-167	161	-2.66158
-166	161	-2.66966
-165	161	-2.67178
-164	161	-2.69247
-163	161	-2.71124

-162	161	-2.74694
-161	161	-2.78944
-160	161	-2.83583
-159	161	-2.89856
-158	161	-2.97045
-157	161	-3.07355
-156	161	-3.19126
-155	161	-3.32629
-154	161	-3.48852
-153	161	-3.64791
-152	161	-3.81938
-151	161	-4.01714
-150	161	-4.2661
-149	161	-4.55728
-148	161	-4.89401
-147	161	-5.26281
-146	161	-5.66269
-145	161	-6.09352
-144	161	-6.55698
-143	161	-7.04863
-142	161	-7.6658
-141	161	-8.39059
-140	161	-8.84159
-139	161	-9.47148
-138	161	-10.1124
-137	161	-10.7977
-136	161	-11.4398
-135	161	-11.9332
-134	161	-12.2372
-133	161	-12.5448
-132	161	-12.4113
-131	161	-11.9479
-130	161	-11.3256
-129	161	-10.5537
-128	161	-9.77531
-127	161	-8.99343
-126	161	-8.28895
-125	161	-7.61608
-124	161	-7.05639
-123	161	-6.454
-122	161	-5.96217
-121	161	-5.52504
-120	161	-5.13929
-119	161	-4.79026
-118	161	-4.49915
-117	161	-4.27542
-116	161	-4.10165
-115	161	-3.98376
-114	161	-3.86652
-113	161	-3.83132
-112	161	-3.8628
-111	161	-3.96195
-110	161	-4.1132
-109	161	-4.33212
-108	161	-4.6031
-107	161	-4.98168
-106	161	-5.36587
-105	161	-5.92871
-104	161	-6.57984
-103	161	-7.37401
-102	161	-8.30937
-101	161	-9.48111
-100	161	-10.9415
-99	161	-12.6495
-98	161	-13.8702
-97	161	-16.3254
-96	161	-19.6045
-95	161	-25.5177
-94	161	-48.2717
-93	161	-26.9637
-92	161	-20.4411
-91	161	-16.9008
-90	161	-14.413
-89	161	-12.4893
-88	161	-10.9496
-87	161	-9.66629
-86	161	-8.63127
-85	161	-7.75941
-84	161	-7.04156
-83	161	-6.44628
-82	161	-5.94895
-81	161	-5.53507
-80	161	-5.20234
-79	161	-4.92045
-78	161	-4.72552
-77	161	-4.56914
-76	161	-4.48939
-75	161	-4.45848
-74	161	-4.50872
-73	161	-4.61526
-72	161	-4.73634
-71	161	-4.94175
-70	161	-5.1831
-69	161	-5.44079
-68	161	-5.79969

-67	161	-6.22309
-66	161	-6.68191
-65	161	-7.19038
-64	161	-7.77528
-63	161	-8.45418
-62	161	-9.19471
-61	161	-10.0002
-60	161	-10.8449
-59	161	-11.7275
-58	161	-12.6191
-57	161	-13.4287
-56	161	-14.0602
-55	161	-14.4613
-54	161	-14.5377
-53	161	-14.237
-52	161	-13.6475
-51	161	-12.7244
-50	161	-11.8297
-49	161	-10.9846
-48	161	-10.2444
-47	161	-9.4927
-46	161	-8.80522
-45	161	-8.1889
-44	161	-7.69173
-43	161	-7.2063
-42	161	-6.71295
-41	161	-6.26444
-40	161	-5.97987
-39	161	-5.65727
-38	161	-5.23665
-37	161	-4.88557
-36	161	-4.64834
-35	161	-4.40317
-34	161	-4.27845
-33	161	-4.15693
-32	161	-4.04982
-31	161	-3.92323
-30	161	-3.77238
-29	161	-3.63532
-28	161	-3.56376
-27	161	-3.53607
-26	161	-3.48138
-25	161	-3.41717
-24	161	-3.35867
-23	161	-3.32765
-22	161	-3.28593
-21	161	-3.25825
-20	161	-3.22101
-19	161	-3.17587
-18	161	-3.14391
-17	161	-3.11637
-16	161	-3.0991
-15	161	-3.08332
-14	161	-3.06536
-13	161	-3.05602
-12	161	-3.04196
-11	161	-3.02044
-10	161	-2.99255
-9	161	-2.97815
-8	161	-2.97577
-7	161	-2.98705
-6	161	-2.99337
-5	161	-2.97562
-4	161	-2.96061
-3	161	-2.92528
-2	161	-2.91245
-1	161	-2.84836
0	161	-2.88344
1	161	-2.8583
2	161	-2.83752
3	161	-2.81448
4	161	-2.78761
5	161	-2.76997
6	161	-2.77646
7	161	-2.78692
8	161	-2.78263
9	161	-2.74639
10	161	-2.7677
11	161	-2.82259
12	161	-2.78094
13	161	-2.77007
14	161	-2.79327
15	161	-2.81042
16	161	-2.82486
17	161	-2.85404
18	161	-2.89688
19	161	-2.95155
20	161	-3.02086
21	161	-3.08046
22	161	-3.16002
23	161	-3.2671
24	161	-3.38548
25	161	-3.51972
26	161	-3.66647
27	161	-3.823

28	161	-4.01081
29	161	-4.22324
30	161	-4.48238
31	161	-4.79836
32	161	-5.14093
33	161	-5.52823
34	161	-5.92235
35	161	-6.3607
36	161	-6.86623
37	161	-7.36831
38	161	-8.01413
39	161	-8.75229
40	161	-9.28403
41	161	-9.9676
42	161	-10.6455
43	161	-11.4108
44	161	-12.1543
45	161	-12.7406
46	161	-13.106
47	161	-13.2214
48	161	-13.0326
49	161	-12.621
50	161	-12.0645
51	161	-11.3516
52	161	-10.5311
53	161	-9.71505
54	161	-8.9889
55	161	-8.29017
56	161	-7.66674
57	161	-7.08775
58	161	-6.56304
59	161	-6.11516
60	161	-5.71899
61	161	-5.36903
62	161	-5.08367
63	161	-4.85683
64	161	-4.68529
65	161	-4.55738
66	161	-4.48233
67	161	-4.4511
68	161	-4.46728
69	161	-4.53993
70	161	-4.65745
71	161	-4.85327
72	161	-5.10476
73	161	-5.43058
74	161	-5.82883
75	161	-6.30676
76	161	-6.91646
77	161	-7.52555
78	161	-8.30848
79	161	-9.21913
80	161	-10.3379
81	161	-11.6478
82	161	-13.2755
83	161	-15.4005
84	161	-18.1519
85	161	-21.8054
86	161	-25.4819
87	161	-23.9403
88	161	-19.9622
89	161	-16.8641
90	161	-14.5474
91	161	-12.705
92	161	-11.2001
93	161	-9.9391
94	161	-8.94704
95	161	-8.0946
96	161	-7.38399
97	161	-6.80223
98	161	-6.31595
99	161	-5.91252
100	161	-5.59119
101	161	-5.30582
102	161	-5.13378
103	161	-4.59366
104	161	-4.55837
105	161	-4.57091
106	161	-4.62953
107	161	-4.74345
108	161	-4.91815
109	161	-5.14162
110	161	-5.42064
111	161	-5.74473
112	161	-6.09443
113	161	-6.57728
114	161	-7.07192
115	161	-7.63533
116	161	-8.30409
117	161	-9.04005
118	161	-9.82601
119	161	-10.7244
120	161	-11.6324
121	161	-12.565
122	161	-13.2709

123	161	-14.137
124	161	-14.794
125	161	-15.1546
126	161	-15.1017
127	161	-14.7107
128	161	-13.9266
129	161	-12.8075
130	161	-11.8168
131	161	-10.8719
132	161	-10.1798
133	161	-9.35755
134	161	-8.686
135	161	-8.17144
136	161	-7.70831
137	161	-7.14702
138	161	-6.71203
139	161	-6.33862
140	161	-5.98752
141	161	-5.65766
142	161	-5.25026
143	161	-4.91425
144	161	-4.68129
145	161	-4.47314
146	161	-4.32286
147	161	-4.20477
148	161	-4.08972
149	161	-3.97275
150	161	-3.82477
151	161	-3.69826
152	161	-3.6226
153	161	-3.59835
154	161	-3.55645
155	161	-3.50207
156	161	-3.44042
157	161	-3.4114
158	161	-3.38777
159	161	-3.37652
160	161	-3.3483
161	161	-3.30276
162	161	-3.25354
163	161	-3.22657
164	161	-3.21218
165	161	-3.20305
166	161	-3.19008
167	161	-3.18877
168	161	-3.1675
169	161	-3.13692
170	161	-3.10946
171	161	-3.10846
172	161	-3.1165
173	161	-3.09663
174	161	-3.08358
175	161	-3.04927
176	161	-3.00319
177	161	-2.97611
178	161	-2.93822
179	161	-2.89531
180	161	-2.86355
-180	162	-2.97013
-179	162	-2.96394
-178	162	-2.94877
-177	162	-2.9471
-176	162	-2.95599
-175	162	-2.94785
-174	162	-2.92891
-173	162	-2.9476
-172	162	-2.97304
-171	162	-3.00022
-170	162	-3.0178
-169	162	-3.03846
-168	162	-3.06518
-167	162	-3.10062
-166	162	-3.143
-165	162	-3.20264
-164	162	-3.26615
-163	162	-3.34312
-162	162	-3.42504
-161	162	-3.51225
-160	162	-3.62075
-159	162	-3.7323
-158	162	-3.86885
-157	162	-4.01795
-156	162	-4.20509
-155	162	-4.41339
-154	162	-4.63151
-153	162	-4.88111
-152	162	-5.13765
-151	162	-5.41362
-150	162	-5.70789
-149	162	-6.05395
-148	162	-6.43763
-147	162	-6.99289
-146	162	-7.45718
-145	162	-7.94615
-144	162	-8.53796

-143	162	-9.16267
-142	162	-9.7882
-141	162	-10.4621
-140	162	-11.0755
-139	162	-11.5986
-138	162	-11.9875
-137	162	-12.2245
-136	162	-12.5296
-135	162	-12.4753
-134	162	-12.2692
-133	162	-11.921
-132	162	-11.3554
-131	162	-10.6972
-130	162	-9.95864
-129	162	-9.20337
-128	162	-8.51829
-127	162	-7.86574
-126	162	-7.24052
-125	162	-6.65504
-124	162	-6.16347
-123	162	-5.70806
-122	162	-5.31652
-121	162	-4.98822
-120	162	-4.73435
-119	162	-4.45253
-118	162	-4.26897
-117	162	-4.12465
-116	162	-3.91598
-115	162	-3.81912
-114	162	-3.79106
-113	162	-3.81611
-112	162	-3.89429
-111	162	-4.02605
-110	162	-4.22423
-109	162	-4.47827
-108	162	-4.74395
-107	162	-5.12112
-106	162	-5.61138
-105	162	-6.14233
-104	162	-6.79426
-103	162	-7.60981
-102	162	-8.54921
-101	162	-9.74159
-100	162	-11.2647
-99	162	-13.0808
-98	162	-13.8793
-97	162	-16.1485
-96	162	-19.3878
-95	162	-24.7534
-94	162	-40.2811
-93	162	-27.9431
-92	162	-20.9533
-91	162	-17.0695
-90	162	-14.5091
-89	162	-12.7694
-88	162	-11.2704
-87	162	-10.0182
-86	162	-8.98806
-85	162	-8.10299
-84	162	-7.35496
-83	162	-6.74521
-82	162	-6.2365
-81	162	-5.81421
-80	162	-5.45311
-79	162	-5.16234
-78	162	-4.89614
-77	162	-4.70974
-76	162	-4.60921
-75	162	-4.53726
-74	162	-4.49462
-73	162	-4.52365
-72	162	-4.56287
-71	162	-4.69355
-70	162	-4.84835
-69	162	-5.07701
-68	162	-5.33029
-67	162	-5.62702
-66	162	-5.91725
-65	162	-6.31326
-64	162	-6.76636
-63	162	-7.2834
-62	162	-7.84773
-61	162	-8.46154
-60	162	-9.12717
-59	162	-9.87097
-58	162	-10.692
-57	162	-11.5529
-56	162	-12.3876
-55	162	-13.1755
-54	162	-13.8406
-53	162	-14.2568
-52	162	-14.2526
-51	162	-14.0541
-50	162	-13.7203
-49	162	-13.1135

-48	162	-12.4038
-47	162	-11.6669
-46	162	-11.1142
-45	162	-10.5255
-44	162	-10.0014
-43	162	-9.37597
-42	162	-8.77144
-41	162	-8.18656
-40	162	-7.61822
-39	162	-7.09604
-38	162	-6.65028
-37	162	-6.28702
-36	162	-6.00468
-35	162	-5.81907
-34	162	-5.59149
-33	162	-5.31456
-32	162	-5.09371
-31	162	-4.94722
-30	162	-4.74622
-29	162	-4.5744
-28	162	-4.43156
-27	162	-4.28295
-26	162	-4.17074
-25	162	-4.06042
-24	162	-3.94266
-23	162	-3.84511
-22	162	-3.75857
-21	162	-3.70064
-20	162	-3.64328
-19	162	-3.57675
-18	162	-3.50773
-17	162	-3.44431
-16	162	-3.39189
-15	162	-3.33935
-14	162	-3.28575
-13	162	-3.24019
-12	162	-3.1973
-11	162	-3.16013
-10	162	-3.1203
-9	162	-3.10424
-8	162	-3.07413
-7	162	-3.08859
-6	162	-2.96008
-5	162	-3.05721
-4	162	-3.05622
-3	162	-3.0313
-2	162	-3.00967
-1	162	-3.00842
0	162	-3.00132
1	162	-2.98188
2	162	-2.97394
3	162	-3.01832
4	162	-3.09818
5	162	-3.05355
6	162	-2.98494
7	162	-3.0151
8	162	-3.05322
9	162	-3.09712
10	162	-3.12431
11	162	-3.14675
12	162	-3.20401
13	162	-3.23491
14	162	-3.26911
15	162	-3.35167
16	162	-3.43839
17	162	-3.51432
18	162	-3.59999
19	162	-3.70069
20	162	-3.81872
21	162	-3.9432
22	162	-4.09032
23	162	-4.23875
24	162	-4.42005
25	162	-4.62805
26	162	-4.86457
27	162	-5.13434
28	162	-5.41032
29	162	-5.71144
30	162	-6.04497
31	162	-6.39606
32	162	-6.80202
33	162	-7.36376
34	162	-7.88338
35	162	-8.36036
36	162	-8.93347
37	162	-9.6239
38	162	-10.3345
39	162	-11.0529
40	162	-11.7401
41	162	-12.3625
42	162	-12.8732
43	162	-13.2273
44	162	-13.3487
45	162	-13.269
46	162	-13.0035

47	162	-12.5235
48	162	-11.8653
49	162	-11.1636
50	162	-10.4344
51	162	-9.69733
52	162	-8.97986
53	162	-8.33585
54	162	-7.73068
55	162	-7.19019
56	162	-6.71097
57	162	-6.25755
58	162	-5.86222
59	162	-5.51834
60	162	-5.21428
61	162	-4.96958
62	162	-4.78318
63	162	-4.63115
64	162	-4.52931
65	162	-4.46651
66	162	-4.43783
67	162	-4.45011
68	162	-4.50796
69	162	-4.61274
70	162	-4.77474
71	162	-4.9986
72	162	-5.28971
73	162	-5.64112
74	162	-6.09355
75	162	-6.58742
76	162	-7.17641
77	162	-7.88229
78	162	-8.66299
79	162	-9.62463
80	162	-10.7856
81	162	-12.1406
82	162	-13.7932
83	162	-15.8912
84	162	-18.647
85	162	-22.3325
86	162	-26.707
87	162	-24.6282
88	162	-20.1937
89	162	-16.9932
90	162	-14.6449
91	162	-12.8596
92	162	-11.4655
93	162	-10.2569
94	162	-9.27631
95	162	-8.42744
96	162	-7.7084
97	162	-7.12179
98	162	-6.59707
99	162	-6.19835
100	162	-5.84135
101	162	-5.52358
102	162	-5.27088
103	162	-4.65282
104	162	-4.55861
105	162	-4.52502
106	162	-4.54344
107	162	-4.59684
108	162	-4.70097
109	162	-4.84609
110	162	-5.03002
111	162	-5.27141
112	162	-5.59193
113	162	-5.93086
114	162	-6.30349
115	162	-6.74623
116	162	-7.25648
117	162	-7.82642
118	162	-8.40203
119	162	-9.09221
120	162	-9.81557
121	162	-10.5891
122	162	-11.4457
123	162	-12.3524
124	162	-12.9921
125	162	-13.8676
126	162	-14.5932
127	162	-15.039
128	162	-15.004
129	162	-14.7352
130	162	-13.9575
131	162	-13.3067
132	162	-12.6434
133	162	-11.9258
134	162	-11.2098
135	162	-10.5555
136	162	-9.9321
137	162	-9.39041
138	162	-8.69768
139	162	-8.17288
140	162	-7.58955
141	162	-7.06557

142	162	-6.63514
143	162	-6.28348
144	162	-5.99928
145	162	-5.82204
146	162	-5.60954
147	162	-5.3332
148	162	-5.14352
149	162	-4.94944
150	162	-4.7509
151	162	-4.58719
152	162	-4.4378
153	162	-4.30089
154	162	-4.20039
155	162	-4.09002
156	162	-3.98381
157	162	-3.88258
158	162	-3.79438
159	162	-3.72917
160	162	-3.67785
161	162	-3.62708
162	162	-3.57024
163	162	-3.5268
164	162	-3.47159
165	162	-3.42452
166	162	-3.38226
167	162	-3.32771
168	162	-3.28684
169	162	-3.27245
170	162	-3.21541
171	162	-3.17416
172	162	-3.16997
173	162	-3.16582
174	162	-3.14415
175	162	-3.12348
176	162	-3.10511
177	162	-3.06811
178	162	-3.03063
179	162	-2.99653
180	162	-2.97013
-180	163	-3.50708
-179	163	-3.50524
-178	163	-3.51606
-177	163	-3.52867
-176	163	-3.55266
-175	163	-3.58954
-174	163	-3.61268
-173	163	-3.63669
-172	163	-3.65764
-171	163	-3.71575
-170	163	-3.78094
-169	163	-3.84115
-168	163	-3.9
-167	163	-3.97056
-166	163	-4.05957
-165	163	-4.15716
-164	163	-4.26379
-163	163	-4.38715
-162	163	-4.52759
-161	163	-4.67404
-160	163	-4.83788
-159	163	-5.02012
-158	163	-5.22816
-157	163	-5.45387
-156	163	-5.68849
-155	163	-5.95455
-154	163	-6.19797
-153	163	-6.60844
-152	163	-6.94502
-151	163	-7.21793
-150	163	-7.62911
-149	163	-8.06099
-148	163	-8.51102
-147	163	-8.98578
-146	163	-9.51513
-145	163	-10.0881
-144	163	-10.6972
-143	163	-11.2903
-142	163	-11.819
-141	163	-12.2104
-140	163	-12.5192
-139	163	-12.8396
-138	163	-12.7624
-137	163	-12.4539
-136	163	-11.9663
-135	163	-11.3698
-134	163	-10.7752
-133	163	-10.1691
-132	163	-9.55377
-131	163	-8.94966
-130	163	-8.36783
-129	163	-7.7746
-128	163	-7.21386
-127	163	-6.7179
-126	163	-6.26706
-125	163	-5.84367

-124	163	-5.45798
-123	163	-5.11437
-122	163	-4.81459
-121	163	-4.55122
-120	163	-4.34029
-119	163	-4.1665
-118	163	-4.02631
-117	163	-3.87157
-116	163	-3.81502
-115	163	-3.74854
-114	163	-3.75607
-113	163	-3.83884
-112	163	-3.96271
-111	163	-4.14541
-110	163	-4.32042
-109	163	-4.6067
-108	163	-4.96187
-107	163	-5.382
-106	163	-5.83898
-105	163	-6.41197
-104	163	-7.1051
-103	163	-7.76615
-102	163	-8.65628
-101	163	-9.6931
-100	163	-10.8927
-99	163	-12.5287
-98	163	-14.3425
-97	163	-16.6384
-96	163	-19.7653
-95	163	-24.9177
-94	163	-37.3739
-93	163	-28.2995
-92	163	-21.4199
-91	163	-17.7803
-90	163	-15.2856
-89	163	-13.35
-88	163	-11.6916
-87	163	-10.355
-86	163	-9.32547
-85	163	-8.45478
-84	163	-7.70935
-83	163	-7.0654
-82	163	-6.47334
-81	163	-6.03244
-80	163	-5.75684
-79	163	-5.42182
-78	163	-5.14689
-77	163	-4.93736
-76	163	-4.74064
-75	163	-4.61112
-74	163	-4.54622
-73	163	-4.50874
-72	163	-4.5285
-71	163	-4.57578
-70	163	-4.66862
-69	163	-4.76001
-68	163	-4.92155
-67	163	-5.08175
-66	163	-5.38908
-65	163	-5.6824
-64	163	-5.93874
-63	163	-6.3646
-62	163	-6.78112
-61	163	-7.23374
-60	163	-7.7476
-59	163	-8.30831
-58	163	-8.92349
-57	163	-9.63318
-56	163	-10.3982
-55	163	-11.1188
-54	163	-11.7123
-53	163	-12.3543
-52	163	-13.0064
-51	163	-13.5788
-50	163	-13.9638
-49	163	-14.0197
-48	163	-14.1103
-47	163	-13.9981
-46	163	-13.6322
-45	163	-13.124
-44	163	-12.5282
-43	163	-11.8067
-42	163	-11.0579
-41	163	-10.4187
-40	163	-9.88422
-39	163	-9.41172
-38	163	-8.95088
-37	163	-8.51856
-36	163	-8.11562
-35	163	-7.74612
-34	163	-7.37347
-33	163	-7.02149
-32	163	-6.69097
-31	163	-6.41257
-30	163	-6.02276

-29	163	-5.94499
-28	163	-5.73257
-27	163	-5.4678
-26	163	-5.2896
-25	163	-5.16218
-24	163	-5.00746
-23	163	-4.87037
-22	163	-4.7317
-21	163	-4.60462
-20	163	-4.48452
-19	163	-4.39102
-18	163	-4.30496
-17	163	-4.20086
-16	163	-4.09359
-15	163	-4.00861
-14	163	-3.91834
-13	163	-3.90094
-12	163	-3.79404
-11	163	-3.69286
-10	163	-3.77917
-9	163	-3.70259
-8	163	-3.65428
-7	163	-3.62881
-6	163	-3.66444
-5	163	-3.72169
-4	163	-3.69596
-3	163	-3.60812
-2	163	-3.55431
-1	163	-3.547
0	163	-3.55082
1	163	-3.56364
2	163	-3.58008
3	163	-3.595
4	163	-3.62647
5	163	-3.66668
6	163	-3.71043
7	163	-3.74457
8	163	-3.77884
9	163	-3.85502
10	163	-3.93251
11	163	-4.00255
12	163	-4.07975
13	163	-4.15551
14	163	-4.27774
15	163	-4.4064
16	163	-4.4898
17	163	-4.5894
18	163	-4.74566
19	163	-4.90746
20	163	-5.08505
21	163	-5.27995
22	163	-5.50244
23	163	-5.7378
24	163	-5.98826
25	163	-6.26623
26	163	-6.5253
27	163	-6.97739
28	163	-7.34839
29	163	-7.64981
30	163	-8.10421
31	163	-8.51903
32	163	-9.04222
33	163	-9.57625
34	163	-10.1657
35	163	-10.7751
36	163	-11.4489
37	163	-12.0971
38	163	-12.6842
39	163	-13.1721
40	163	-13.4907
41	163	-13.5579
42	163	-13.4523
43	163	-13.1033
44	163	-12.592
45	163	-11.9786
46	163	-11.3371
47	163	-10.6866
48	163	-10.0515
49	163	-9.41244
50	163	-8.81963
51	163	-8.21214
52	163	-7.67225
53	163	-7.15424
54	163	-6.68804
55	163	-6.25913
56	163	-5.883
57	163	-5.55656
58	163	-5.26641
59	163	-5.01077
60	163	-4.8225
61	163	-4.67372
62	163	-4.55169
63	163	-4.47048
64	163	-4.43034
65	163	-4.4194

66	163	-4.44934
67	163	-4.52753
68	163	-4.65075
69	163	-4.80847
70	163	-5.01681
71	163	-5.28208
72	163	-5.60348
73	163	-6.0068
74	163	-6.45632
75	163	-6.97247
76	163	-7.63308
77	163	-8.29877
78	163	-9.12919
79	163	-10.1017
80	163	-11.269
81	163	-12.6201
82	163	-14.2815
83	163	-16.3852
84	163	-19.1024
85	163	-22.6938
86	163	-25.9911
87	163	-24.2011
88	163	-20.4145
89	163	-17.4373
90	163	-15.1816
91	163	-13.3927
92	163	-11.9364
93	163	-10.6909
94	163	-9.6856
95	163	-8.81671
96	163	-8.09279
97	163	-7.47843
98	163	-6.94742
99	163	-6.49146
100	163	-6.10834
101	163	-5.769
102	163	-5.50164
103	163	-5.27893
104	163	-4.69596
105	163	-4.60597
106	163	-4.56818
107	163	-4.56536
108	163	-4.59496
109	163	-4.66067
110	163	-4.76966
111	163	-4.93738
112	163	-5.15594
113	163	-5.44768
114	163	-5.73469
115	163	-6.03337
116	163	-6.38778
117	163	-6.81365
118	163	-7.28695
119	163	-7.82115
120	163	-8.40276
121	163	-9.04064
122	163	-9.67562
123	163	-10.4079
124	163	-11.1395
125	163	-11.882
126	163	-12.5229
127	163	-12.9982
128	163	-13.8057
129	163	-14.3394
130	163	-14.7243
131	163	-14.8425
132	163	-14.7229
133	163	-14.3978
134	163	-13.8456
135	163	-13.2585
136	163	-12.6329
137	163	-11.7573
138	163	-10.9548
139	163	-10.2836
140	163	-9.72455
141	163	-9.25972
142	163	-8.91615
143	163	-8.39425
144	163	-8.03755
145	163	-7.65075
146	163	-7.25131
147	163	-6.93854
148	163	-6.62109
149	163	-6.3474
150	163	-6.09938
151	163	-5.90496
152	163	-5.66862
153	163	-5.38494
154	163	-5.21815
155	163	-5.0903
156	163	-4.94057
157	163	-4.80189
158	163	-4.67332
159	163	-4.56823
160	163	-4.45582

161	163	-4.35116
162	163	-4.28182
163	163	-4.19461
164	163	-4.09541
165	163	-4.02047
166	163	-3.96746
167	163	-3.92044
168	163	-3.86695
169	163	-3.81442
170	163	-3.7749
171	163	-3.73402
172	163	-3.6838
173	163	-3.66186
174	163	-3.64637
175	163	-3.64494
176	163	-3.63402
177	163	-3.60079
178	163	-3.56014
179	163	-3.52802
180	163	-3.50708
-180	164	-4.58128
-179	164	-4.58311
-178	164	-4.59699
-177	164	-4.61141
-176	164	-4.66535
-175	164	-4.70289
-174	164	-4.75593
-173	164	-4.82047
-172	164	-4.89362
-171	164	-4.95299
-170	164	-5.01757
-169	164	-5.12731
-168	164	-5.25443
-167	164	-5.37149
-166	164	-5.49217
-165	164	-5.61101
-164	164	-5.77194
-163	164	-5.93683
-162	164	-6.14287
-161	164	-6.48098
-160	164	-6.69815
-159	164	-6.84056
-158	164	-7.1153
-157	164	-7.39098
-156	164	-7.694
-155	164	-8.01885
-154	164	-8.36407
-153	164	-8.76106
-152	164	-9.16311
-151	164	-9.61604
-150	164	-10.0806
-149	164	-10.5577
-148	164	-11.0233
-147	164	-11.4604
-146	164	-11.8452
-145	164	-12.1552
-144	164	-12.4171
-143	164	-12.7761
-142	164	-12.8854
-141	164	-12.8393
-140	164	-12.5851
-139	164	-12.152
-138	164	-11.605
-137	164	-10.9958
-136	164	-10.3828
-135	164	-9.75668
-134	164	-9.14195
-133	164	-8.51808
-132	164	-7.98052
-131	164	-7.48312
-130	164	-6.99611
-129	164	-6.5469
-128	164	-6.11646
-127	164	-5.73868
-126	164	-5.39405
-125	164	-5.07682
-124	164	-4.80909
-123	164	-4.57444
-122	164	-4.35776
-121	164	-4.18296
-120	164	-4.05728
-119	164	-3.93099
-118	164	-3.83184
-117	164	-3.7763
-116	164	-3.77033
-115	164	-3.79034
-114	164	-3.84676
-113	164	-3.963
-112	164	-4.08848
-111	164	-4.2887
-110	164	-4.58391
-109	164	-4.88077
-108	164	-5.23723
-107	164	-5.70689
-106	164	-6.22988

-105	164	-6.7936
-104	164	-7.50312
-103	164	-8.27274
-102	164	-9.20884
-101	164	-10.3154
-100	164	-11.5838
-99	164	-13.125
-98	164	-14.8447
-97	164	-17.1228
-96	164	-20.2849
-95	164	-25.4188
-94	164	-35.324
-93	164	-28.1136
-92	164	-21.7415
-91	164	-18.1288
-90	164	-15.5873
-89	164	-13.6947
-88	164	-12.1708
-87	164	-10.8801
-86	164	-9.84574
-85	164	-8.96209
-84	164	-8.20043
-83	164	-7.51392
-82	164	-6.91794
-81	164	-6.46084
-80	164	-6.0479
-79	164	-5.62693
-78	164	-5.3151
-77	164	-5.06428
-76	164	-4.8625
-75	164	-4.72362
-74	164	-4.62831
-73	164	-4.53773
-72	164	-4.48809
-71	164	-4.4406
-70	164	-4.42786
-69	164	-4.47754
-68	164	-4.61067
-67	164	-4.78917
-66	164	-4.98834
-65	164	-5.18064
-64	164	-5.40431
-63	164	-5.69622
-62	164	-5.97701
-61	164	-6.28842
-60	164	-6.65422
-59	164	-7.10518
-58	164	-7.57209
-57	164	-8.04121
-56	164	-8.4888
-55	164	-9.02467
-54	164	-9.75794
-53	164	-10.3436
-52	164	-10.9524
-51	164	-11.6323
-50	164	-12.3006
-49	164	-12.7658
-48	164	-13.3266
-47	164	-13.8845
-46	164	-14.3214
-45	164	-14.4684
-44	164	-14.371
-43	164	-14.1347
-42	164	-13.8254
-41	164	-13.4336
-40	164	-12.9755
-39	164	-12.4788
-38	164	-11.9539
-37	164	-11.419
-36	164	-10.9122
-35	164	-10.4536
-34	164	-9.97545
-33	164	-9.51442
-32	164	-9.04509
-31	164	-8.67692
-30	164	-8.28021
-29	164	-7.93605
-28	164	-7.62668
-27	164	-7.34325
-26	164	-7.08299
-25	164	-6.83822
-24	164	-6.57488
-23	164	-6.37098
-22	164	-6.20471
-21	164	-6.05355
-20	164	-5.7981
-19	164	-5.5813
-18	164	-5.7049
-17	164	-5.72919
-16	164	-5.56695
-15	164	-5.38463
-14	164	-5.21269
-13	164	-5.08119
-12	164	-4.99848
-11	164	-4.92193

-10	164	-4.86912
-9	164	-4.8191
-8	164	-4.74727
-7	164	-4.69985
-6	164	-4.65824
-5	164	-4.64818
-4	164	-4.64706
-3	164	-4.64212
-2	164	-4.64523
-1	164	-4.65014
0	164	-4.66733
1	164	-4.69107
2	164	-4.71989
3	164	-4.75678
4	164	-4.80314
5	164	-4.85145
6	164	-4.91985
7	164	-4.9945
8	164	-5.08235
9	164	-5.16194
10	164	-5.25245
11	164	-5.37484
12	164	-5.51124
13	164	-5.6474
14	164	-5.80296
15	164	-5.94496
16	164	-6.11552
17	164	-6.3117
18	164	-6.50588
19	164	-6.80876
20	164	-7.02966
21	164	-7.18649
22	164	-7.50182
23	164	-7.82039
24	164	-8.1675
25	164	-8.53556
26	164	-8.98224
27	164	-9.31442
28	164	-9.72798
29	164	-10.2044
30	164	-10.7071
31	164	-11.2815
32	164	-11.8667
33	164	-12.4167
34	164	-12.8978
35	164	-13.3155
36	164	-13.6122
37	164	-13.7985
38	164	-13.8237
39	164	-13.6373
40	164	-13.2708
41	164	-12.7669
42	164	-12.174
43	164	-11.5508
44	164	-10.9115
45	164	-10.2676
46	164	-9.64309
47	164	-9.04607
48	164	-8.48914
49	164	-7.9649
50	164	-7.45625
51	164	-7.00909
52	164	-6.58433
53	164	-6.20483
54	164	-5.85465
55	164	-5.54235
56	164	-5.28479
57	164	-5.05457
58	164	-4.84162
59	164	-4.68612
60	164	-4.58044
61	164	-4.50128
62	164	-4.44724
63	164	-4.42887
64	164	-4.44353
65	164	-4.48193
66	164	-4.56069
67	164	-4.68452
68	164	-4.85035
69	164	-5.05422
70	164	-5.31009
71	164	-5.60284
72	164	-5.98429
73	164	-6.41133
74	164	-6.90724
75	164	-7.47132
76	164	-8.1145
77	164	-8.85093
78	164	-9.75678
79	164	-10.7259
80	164	-11.8881
81	164	-13.3767
82	164	-14.9496
83	164	-17.0152
84	164	-19.7379

85	164	-23.2958
86	164	-26.5204
87	164	-24.8401
88	164	-21.04
89	164	-18.0047
90	164	-15.7018
91	164	-13.8988
92	164	-12.4313
93	164	-11.2047
94	164	-10.1776
95	164	-9.29002
96	164	-8.52088
97	164	-7.84949
98	164	-7.2582
99	164	-6.76525
100	164	-6.3399
101	164	-5.96618
102	164	-5.66386
103	164	-5.41927
104	164	-5.21688
105	164	-4.6675
106	164	-4.59952
107	164	-4.56467
108	164	-4.55916
109	164	-4.57755
110	164	-4.65683
111	164	-4.79019
112	164	-4.93238
113	164	-5.14387
114	164	-5.33861
115	164	-5.58848
116	164	-5.87555
117	164	-6.13662
118	164	-6.45052
119	164	-6.82037
120	164	-7.24183
121	164	-7.69039
122	164	-8.18085
123	164	-8.66283
124	164	-9.15623
125	164	-9.7567
126	164	-10.4423
127	164	-11.1454
128	164	-11.8642
129	164	-12.5722
130	164	-13.1613
131	164	-13.5225
132	164	-14.0944
133	164	-14.6686
134	164	-14.9839
135	164	-14.9646
136	164	-14.7836
137	164	-14.3374
138	164	-13.8223
139	164	-13.3129
140	164	-12.7837
141	164	-12.263
142	164	-11.7659
143	164	-11.2114
144	164	-10.6803
145	164	-10.1612
146	164	-9.69567
147	164	-9.28177
148	164	-8.73604
149	164	-8.41941
150	164	-7.99272
151	164	-7.63488
152	164	-7.35741
153	164	-7.0881
154	164	-6.82101
155	164	-6.59799
156	164	-6.36984
157	164	-6.19742
158	164	-6.03429
159	164	-5.91286
160	164	-5.78469
161	164	-5.58499
162	164	-5.50533
163	164	-5.46281
164	164	-5.34415
165	164	-5.22269
166	164	-5.11086
167	164	-5.03383
168	164	-4.95979
169	164	-4.88608
170	164	-4.8197
171	164	-4.75684
172	164	-4.70151
173	164	-4.65363
174	164	-4.63053
175	164	-4.6327
176	164	-4.63257
177	164	-4.61422
178	164	-4.60458
179	164	-4.58998

180	164	-4.58128
-180	165	-6.24501
-179	165	-6.26785
-178	165	-6.27342
-177	165	-6.2885
-176	165	-6.35581
-175	165	-6.41499
-174	165	-6.49903
-173	165	-6.57403
-172	165	-6.66579
-171	165	-6.78052
-170	165	-6.9091
-169	165	-7.04042
-168	165	-7.16375
-167	165	-7.34607
-166	165	-7.55911
-165	165	-7.778
-164	165	-8.02262
-163	165	-8.24687
-162	165	-8.48588
-161	165	-8.74763
-160	165	-9.04158
-159	165	-9.33654
-158	165	-9.668
-157	165	-10.0063
-156	165	-10.3476
-155	165	-10.7146
-154	165	-11.0995
-153	165	-11.4831
-152	165	-11.8703
-151	165	-12.2692
-150	165	-12.518
-149	165	-12.8104
-148	165	-12.9889
-147	165	-13.2521
-146	165	-13.2044
-145	165	-13.046
-144	165	-12.7883
-143	165	-12.406
-142	165	-11.9324
-141	165	-11.456
-140	165	-10.9305
-139	165	-10.3909
-138	165	-9.85066
-137	165	-9.27771
-136	165	-8.74443
-135	165	-8.20095
-134	165	-7.65363
-133	165	-7.18186
-132	165	-6.76283
-131	165	-6.35721
-130	165	-5.98497
-129	165	-5.64343
-128	165	-5.3087
-127	165	-5.01979
-126	165	-4.7861
-125	165	-4.57072
-124	165	-4.38118
-123	165	-4.24595
-122	165	-4.0706
-121	165	-3.92874
-120	165	-3.82628
-119	165	-3.75905
-118	165	-3.72134
-117	165	-3.72839
-116	165	-3.78241
-115	165	-3.82231
-114	165	-3.9462
-113	165	-4.12569
-112	165	-4.3336
-111	165	-4.59783
-110	165	-4.88311
-109	165	-5.24203
-108	165	-5.6714
-107	165	-6.1425
-106	165	-6.70358
-105	165	-7.35557
-104	165	-8.04168
-103	165	-8.90344
-102	165	-9.88069
-101	165	-10.9678
-100	165	-12.0829
-99	165	-13.4959
-98	165	-15.2636
-97	165	-17.5515
-96	165	-20.6134
-95	165	-25.3394
-94	165	-35.1057
-93	165	-29.3116
-92	165	-23.0545
-91	165	-19.1288
-90	165	-16.5097
-89	165	-14.5302
-88	165	-12.9552
-87	165	-11.6028

-86	165	-10.5337
-85	165	-9.59495
-84	165	-8.78695
-83	165	-8.12318
-82	165	-7.51087
-81	165	-6.94892
-80	165	-6.44857
-79	165	-6.06163
-78	165	-5.71628
-77	165	-5.41098
-76	165	-5.16116
-75	165	-4.9576
-74	165	-4.79022
-73	165	-4.65154
-72	165	-4.54691
-71	165	-4.47511
-70	165	-4.44049
-69	165	-4.44462
-68	165	-4.48952
-67	165	-4.57817
-66	165	-4.67571
-65	165	-4.78879
-64	165	-4.93171
-63	165	-5.15553
-62	165	-5.37025
-61	165	-5.62508
-60	165	-5.88644
-59	165	-6.18834
-58	165	-6.48284
-57	165	-6.77562
-56	165	-7.14039
-55	165	-7.54338
-54	165	-7.98872
-53	165	-8.44396
-52	165	-8.93565
-51	165	-9.5204
-50	165	-10.0808
-49	165	-10.587
-48	165	-11.1847
-47	165	-11.7744
-46	165	-12.4016
-45	165	-13.0608
-44	165	-13.6862
-43	165	-14.3048
-42	165	-14.8276
-41	165	-15.1536
-40	165	-15.2164
-39	165	-15.0596
-38	165	-14.8105
-37	165	-14.5076
-36	165	-13.9604
-35	165	-13.5275
-34	165	-13.0639
-33	165	-12.5896
-32	165	-12.1199
-31	165	-11.6401
-30	165	-11.177
-29	165	-10.741
-28	165	-10.3395
-27	165	-10.0096
-26	165	-9.66493
-25	165	-9.33045
-24	165	-9.00236
-23	165	-8.70432
-22	165	-8.47223
-21	165	-8.24283
-20	165	-8.02671
-19	165	-7.82208
-18	165	-7.62406
-17	165	-7.46093
-16	165	-7.31553
-15	165	-7.18979
-14	165	-7.0525
-13	165	-6.93468
-12	165	-6.8233
-11	165	-6.72935
-10	165	-6.63182
-9	165	-6.55603
-8	165	-6.5404
-7	165	-6.45061
-6	165	-6.40627
-5	165	-6.3583
-4	165	-6.33211
-3	165	-6.32409
-2	165	-6.33591
-1	165	-6.35856
0	165	-6.38192
1	165	-6.40751
2	165	-6.45095
3	165	-6.50999
4	165	-6.5908
5	165	-6.69142
6	165	-6.77662
7	165	-6.85008
8	165	-6.95195

9	165	-7.07636
10	165	-7.23086
11	165	-7.37918
12	165	-7.52354
13	165	-7.73366
14	165	-7.96289
15	165	-8.21354
16	165	-8.48927
17	165	-8.7663
18	165	-9.02033
19	165	-9.29625
20	165	-9.62865
21	165	-9.93771
22	165	-10.2247
23	165	-10.6448
24	165	-11.0479
25	165	-11.4747
26	165	-11.9345
27	165	-12.3701
28	165	-12.7833
29	165	-13.1389
30	165	-13.4676
31	165	-13.7509
32	165	-13.9249
33	165	-14.0453
34	165	-14.0068
35	165	-13.7612
36	165	-13.4349
37	165	-12.9554
38	165	-12.4227
39	165	-11.8727
40	165	-11.2931
41	165	-10.7251
42	165	-10.1689
43	165	-9.60978
44	165	-9.06229
45	165	-8.53098
46	165	-8.04474
47	165	-7.5966
48	165	-7.17873
49	165	-6.76671
50	165	-6.38534
51	165	-6.06216
52	165	-5.74787
53	165	-5.46891
54	165	-5.239
55	165	-5.01797
56	165	-4.83489
57	165	-4.68179
58	165	-4.54945
59	165	-4.45443
60	165	-4.3861
61	165	-4.35672
62	165	-4.34822
63	165	-4.38152
64	165	-4.45628
65	165	-4.54488
66	165	-4.67995
67	165	-4.8495
68	165	-5.04768
69	165	-5.28571
70	165	-5.5473
71	165	-5.91171
72	165	-6.30344
73	165	-6.74924
74	165	-7.25614
75	165	-7.82991
76	165	-8.47566
77	165	-9.21111
78	165	-10.0668
79	165	-11.1176
80	165	-12.2897
81	165	-13.6094
82	165	-15.3546
83	165	-17.442
84	165	-20.0757
85	165	-23.6481
86	165	-27.4338
87	165	-26.3186
88	165	-22.2212
89	165	-18.9389
90	165	-16.493
91	165	-14.6077
92	165	-13.0956
93	165	-11.7965
94	165	-10.747
95	165	-9.83377
96	165	-9.04911
97	165	-8.35637
98	165	-7.76684
99	165	-7.24401
100	165	-6.8099
101	165	-6.38142
102	165	-6.07206
103	165	-5.79373

104	165	-5.54438
105	165	-5.31577
106	165	-4.74033
107	165	-4.65895
108	165	-4.59209
109	165	-4.55519
110	165	-4.5659
111	165	-4.61871
112	165	-4.71327
113	165	-4.84329
114	165	-4.96953
115	165	-5.13065
116	165	-5.33395
117	165	-5.57572
118	165	-5.85062
119	165	-6.10498
120	165	-6.38752
121	165	-6.66582
122	165	-6.95233
123	165	-7.33929
124	165	-7.75347
125	165	-8.18297
126	165	-8.66863
127	165	-9.18609
128	165	-9.72636
129	165	-10.3085
130	165	-10.913
131	165	-11.4908
132	165	-12.1574
133	165	-12.8663
134	165	-13.5868
135	165	-14.1747
136	165	-14.4317
137	165	-14.9758
138	165	-15.3674
139	165	-15.4347
140	165	-15.3117
141	165	-15.046
142	165	-14.6656
143	165	-14.3311
144	165	-13.6734
145	165	-13.1772
146	165	-12.6407
147	165	-12.1229
148	165	-11.6003
149	165	-11.1194
150	165	-10.6403
151	165	-10.2528
152	165	-9.86023
153	165	-9.4523
154	165	-9.16702
155	165	-8.85666
156	165	-8.58244
157	165	-8.33051
158	165	-8.11058
159	165	-7.91033
160	165	-7.75352
161	165	-7.55297
162	165	-7.37171
163	165	-7.23011
164	165	-7.10032
165	165	-6.99741
166	165	-6.87453
167	165	-6.76198
168	165	-6.66805
169	165	-6.59218
170	165	-6.52852
171	165	-6.45688
172	165	-6.41169
173	165	-6.3857
174	165	-6.36552
175	165	-6.32538
176	165	-6.28278
177	165	-6.24319
178	165	-6.23669
179	165	-6.24258
180	165	-6.24501
-180	166	-8.69131
-179	166	-8.72262
-178	166	-8.76913
-177	166	-8.82432
-176	166	-8.89546
-175	166	-8.99358
-174	166	-9.00658
-173	166	-9.19959
-172	166	-9.3452
-171	166	-9.52367
-170	166	-9.66949
-169	166	-9.82224
-168	166	-9.99188
-167	166	-10.1713
-166	166	-10.3486
-165	166	-10.5485
-164	166	-10.8314
-163	166	-11.1356

-162	166	-11.4075
-161	166	-11.6656
-160	166	-11.9046
-159	166	-12.1069
-158	166	-12.3442
-157	166	-12.5875
-156	166	-12.8214
-155	166	-13.0102
-154	166	-13.1256
-153	166	-13.3737
-152	166	-13.391
-151	166	-13.3336
-150	166	-13.3087
-149	166	-12.9748
-148	166	-12.6558
-147	166	-12.3133
-146	166	-11.9022
-145	166	-11.4533
-144	166	-10.9979
-143	166	-10.5224
-142	166	-10.0357
-141	166	-9.54445
-140	166	-9.04282
-139	166	-8.56176
-138	166	-8.08917
-137	166	-7.66985
-136	166	-7.23673
-135	166	-6.83758
-134	166	-6.45917
-133	166	-6.10349
-132	166	-5.778
-131	166	-5.47998
-130	166	-5.20822
-129	166	-4.97232
-128	166	-4.73522
-127	166	-4.54158
-126	166	-4.36627
-125	166	-4.13579
-124	166	-3.9917
-123	166	-3.88676
-122	166	-3.80411
-121	166	-3.74901
-120	166	-3.72055
-119	166	-3.72602
-118	166	-3.71379
-117	166	-3.76733
-116	166	-3.85446
-115	166	-3.96718
-114	166	-4.12179
-113	166	-4.33356
-112	166	-4.56232
-111	166	-4.85417
-110	166	-5.1983
-109	166	-5.59112
-108	166	-6.03848
-107	166	-6.5582
-106	166	-7.14337
-105	166	-7.82754
-104	166	-8.5917
-103	166	-9.46035
-102	166	-10.4556
-101	166	-11.2789
-100	166	-12.4992
-99	166	-13.8827
-98	166	-15.6149
-97	166	-17.8234
-96	166	-20.7659
-95	166	-25.2229
-94	166	-33.6642
-93	166	-31.5966
-92	166	-24.058
-91	166	-20.0453
-90	166	-17.2966
-89	166	-15.2508
-88	166	-13.6547
-87	166	-12.2752
-86	166	-11.1526
-85	166	-10.1325
-84	166	-9.28416
-83	166	-8.67841
-82	166	-7.9996
-81	166	-7.39803
-80	166	-6.93036
-79	166	-6.49503
-78	166	-6.11
-77	166	-5.77405
-76	166	-5.48867
-75	166	-5.22591
-74	166	-5.02571
-73	166	-4.86745
-72	166	-4.74501
-71	166	-4.64798
-70	166	-4.57397
-69	166	-4.51352
-68	166	-4.47379

-67	166	-4.47082
-66	166	-4.49657
-65	166	-4.55142
-64	166	-4.6301
-63	166	-4.75242
-62	166	-4.84248
-61	166	-4.98668
-60	166	-5.16775
-59	166	-5.39329
-58	166	-5.61045
-57	166	-5.81883
-56	166	-6.06028
-55	166	-6.31268
-54	166	-6.63942
-53	166	-6.95775
-52	166	-7.38312
-51	166	-7.86243
-50	166	-8.29778
-49	166	-8.69636
-48	166	-9.16085
-47	166	-9.62737
-46	166	-10.0956
-45	166	-10.6244
-44	166	-11.2174
-43	166	-11.7441
-42	166	-12.3516
-41	166	-12.9311
-40	166	-13.51
-39	166	-14.0548
-38	166	-14.5265
-37	166	-14.8736
-36	166	-15.1089
-35	166	-15.4162
-34	166	-15.3095
-33	166	-15.2437
-32	166	-15.0902
-31	166	-14.8494
-30	166	-14.5263
-29	166	-14.1999
-28	166	-13.811
-27	166	-13.4315
-26	166	-13.0717
-25	166	-12.7026
-24	166	-12.362
-23	166	-12.0331
-22	166	-11.7009
-21	166	-11.4054
-20	166	-11.1033
-19	166	-10.8293
-18	166	-10.5809
-17	166	-10.3333
-16	166	-10.1585
-15	166	-9.98258
-14	166	-9.85095
-13	166	-9.69194
-12	166	-9.57367
-11	166	-9.46567
-10	166	-9.37114
-9	166	-9.30872
-8	166	-9.21614
-7	166	-9.14215
-6	166	-9.09126
-5	166	-9.04351
-4	166	-8.99945
-3	166	-8.96639
-2	166	-8.94796
-1	166	-8.95142
0	166	-9.00214
1	166	-9.04389
2	166	-9.09594
3	166	-9.18475
4	166	-9.27492
5	166	-9.3875
6	166	-9.51357
7	166	-9.66319
8	166	-9.83222
9	166	-10.0022
10	166	-10.1758
11	166	-10.3736
12	166	-10.5709
13	166	-10.805
14	166	-11.0244
15	166	-11.2772
16	166	-11.5937
17	166	-11.8494
18	166	-12.2575
19	166	-12.5726
20	166	-12.8767
21	166	-13.1475
22	166	-13.4182
23	166	-13.7104
24	166	-14.0005
25	166	-14.1908
26	166	-14.2674
27	166	-14.3215

28	166	-14.4011
29	166	-14.256
30	166	-13.9768
31	166	-13.5756
32	166	-13.1886
33	166	-12.7495
34	166	-12.2508
35	166	-11.7393
36	166	-11.2362
37	166	-10.7373
38	166	-10.2459
39	166	-9.75978
40	166	-9.26541
41	166	-8.78934
42	166	-8.32888
43	166	-7.89844
44	166	-7.4919
45	166	-7.12117
46	166	-6.76239
47	166	-6.42352
48	166	-6.10453
49	166	-5.81095
50	166	-5.55384
51	166	-5.33373
52	166	-5.11338
53	166	-4.92593
54	166	-4.75722
55	166	-4.6135
56	166	-4.50686
57	166	-4.43005
58	166	-4.37487
59	166	-4.34891
60	166	-4.34737
61	166	-4.36389
62	166	-4.40104
63	166	-4.46668
64	166	-4.54991
65	166	-4.66639
66	166	-4.82525
67	166	-5.02439
68	166	-5.25846
69	166	-5.50361
70	166	-5.85651
71	166	-6.21974
72	166	-6.6182
73	166	-7.076
74	166	-7.60041
75	166	-8.1892
76	166	-8.84607
77	166	-9.609
78	166	-10.4818
79	166	-11.4909
80	166	-12.7221
81	166	-14.209
82	166	-15.6994
83	166	-17.7897
84	166	-20.4405
85	166	-24.0347
86	166	-28.2323
87	166	-27.3859
88	166	-23.1543
89	166	-19.7757
90	166	-17.2566
91	166	-15.3024
92	166	-13.7279
93	166	-12.3816
94	166	-11.3199
95	166	-10.3194
96	166	-9.50421
97	166	-8.89716
98	166	-8.26222
99	166	-7.71008
100	166	-7.22921
101	166	-6.82587
102	166	-6.47091
103	166	-6.13542
104	166	-5.82354
105	166	-5.55389
106	166	-5.34169
107	166	-4.77725
108	166	-4.68712
109	166	-4.64035
110	166	-4.61225
111	166	-4.60351
112	166	-4.5932
113	166	-4.64439
114	166	-4.68388
115	166	-4.78345
116	166	-4.9069
117	166	-5.05309
118	166	-5.20193
119	166	-5.36762
120	166	-5.58573
121	166	-5.84147
122	166	-6.04936

123	166	-6.29954
124	166	-6.57795
125	166	-6.89145
126	166	-7.23046
127	166	-7.58764
128	166	-7.97913
129	166	-8.40638
130	166	-8.88797
131	166	-9.41003
132	166	-9.90825
133	166	-10.4652
134	166	-11.0621
135	166	-11.636
136	166	-12.2234
137	166	-12.7762
138	166	-13.447
139	166	-14.0278
140	166	-14.5735
141	166	-14.7014
142	166	-14.979
143	166	-15.183
144	166	-15.2902
145	166	-15.2903
146	166	-15.1964
147	166	-14.9878
148	166	-14.6808
149	166	-14.2869
150	166	-13.8562
151	166	-13.4651
152	166	-13.0558
153	166	-12.6799
154	166	-12.3296
155	166	-11.9641
156	166	-11.725
157	166	-11.3758
158	166	-11.0285
159	166	-10.8256
160	166	-10.5426
161	166	-10.3251
162	166	-10.1179
163	166	-9.90317
164	166	-9.71514
165	166	-9.55199
166	166	-9.43223
167	166	-9.30944
168	166	-9.20059
169	166	-9.10942
170	166	-9.0269
171	166	-8.96744
172	166	-8.90552
173	166	-8.86387
174	166	-8.83754
175	166	-8.7932
176	166	-8.75424
177	166	-8.71525
178	166	-8.69036
179	166	-8.68389
180	166	-8.69131
-180	167	-11.9631
-179	167	-11.9874
-178	167	-12.0206
-177	167	-12.0636
-176	167	-12.1348
-175	167	-12.2252
-174	167	-12.3383
-173	167	-12.4003
-172	167	-12.469
-171	167	-12.6148
-170	167	-12.7698
-169	167	-12.9085
-168	167	-13.0328
-167	167	-13.1388
-166	167	-13.2123
-165	167	-13.3257
-164	167	-13.399
-163	167	-13.4229
-162	167	-13.4442
-161	167	-13.6441
-160	167	-13.6302
-159	167	-13.5276
-158	167	-13.4083
-157	167	-13.2465
-156	167	-13.0671
-155	167	-12.8162
-154	167	-12.5304
-153	167	-12.2097
-152	167	-11.8817
-151	167	-11.5333
-150	167	-11.171
-149	167	-10.7953
-148	167	-10.5099
-147	167	-10.0615
-146	167	-9.63191
-145	167	-9.22402
-144	167	-8.84254

-143	167	-8.47156
-142	167	-8.07981
-141	167	-7.72588
-140	167	-7.38788
-139	167	-7.06467
-138	167	-6.74968
-137	167	-6.39342
-136	167	-6.09535
-135	167	-5.79428
-134	167	-5.54316
-133	167	-5.29215
-132	167	-5.05966
-131	167	-4.85371
-130	167	-4.66969
-129	167	-4.50458
-128	167	-4.33688
-127	167	-4.14546
-126	167	-3.97335
-125	167	-3.83666
-124	167	-3.74425
-123	167	-3.67732
-122	167	-3.60544
-121	167	-3.62121
-120	167	-3.65059
-119	167	-3.71175
-118	167	-3.79537
-117	167	-3.89961
-116	167	-4.04002
-115	167	-4.20066
-114	167	-4.37657
-113	167	-4.61992
-112	167	-4.89789
-111	167	-5.19647
-110	167	-5.54555
-109	167	-5.96595
-108	167	-6.43336
-107	167	-6.96594
-106	167	-7.59084
-105	167	-8.31628
-104	167	-9.13958
-103	167	-9.84219
-102	167	-10.7309
-101	167	-11.7748
-100	167	-12.9036
-99	167	-14.2662
-98	167	-15.953
-97	167	-18.048
-96	167	-20.8633
-95	167	-25.0007
-94	167	-32.4277
-93	167	-32.953
-92	167	-25.1652
-91	167	-20.96
-90	167	-18.1534
-89	167	-15.9904
-88	167	-14.3607
-87	167	-12.9425
-86	167	-11.8489
-85	167	-10.9188
-84	167	-10.0878
-83	167	-9.29076
-82	167	-8.59229
-81	167	-7.99498
-80	167	-7.45322
-79	167	-6.94547
-78	167	-6.51877
-77	167	-6.15979
-76	167	-5.8478
-75	167	-5.5706
-74	167	-5.34232
-73	167	-5.13591
-72	167	-4.95336
-71	167	-4.80382
-70	167	-4.68361
-69	167	-4.59051
-68	167	-4.50756
-67	167	-4.44824
-66	167	-4.40944
-65	167	-4.38722
-64	167	-4.39408
-63	167	-4.47771
-62	167	-4.54419
-61	167	-4.63096
-60	167	-4.72844
-59	167	-4.85204
-58	167	-4.99107
-57	167	-5.15671
-56	167	-5.32539
-55	167	-5.51534
-54	167	-5.7104
-53	167	-5.93102
-52	167	-6.24494
-51	167	-6.52301
-50	167	-6.79655
-49	167	-7.07841

-48	167	-7.36251
-47	167	-7.69888
-46	167	-8.04542
-45	167	-8.41277
-44	167	-8.79892
-43	167	-9.22438
-42	167	-9.64946
-41	167	-10.1318
-40	167	-10.6261
-39	167	-11.1057
-38	167	-11.5996
-37	167	-12.1005
-36	167	-12.5794
-35	167	-13.0311
-34	167	-13.4465
-33	167	-13.8427
-32	167	-14.1798
-31	167	-14.5419
-30	167	-14.8547
-29	167	-15.1216
-28	167	-15.3013
-27	167	-15.404
-26	167	-15.456
-25	167	-15.4304
-24	167	-15.3455
-23	167	-15.2189
-22	167	-15.0193
-21	167	-14.779
-20	167	-14.5302
-19	167	-14.2868
-18	167	-14.0727
-17	167	-13.8533
-16	167	-13.6551
-15	167	-13.4619
-14	167	-13.3179
-13	167	-13.1825
-12	167	-13.0593
-11	167	-13.0838
-10	167	-12.9345
-9	167	-12.8102
-8	167	-12.7651
-7	167	-12.7262
-6	167	-12.7115
-5	167	-12.7413
-4	167	-12.6873
-3	167	-12.6639
-2	167	-12.6557
-1	167	-12.6415
0	167	-12.6463
1	167	-12.6703
2	167	-12.7018
3	167	-12.7732
4	167	-12.8554
5	167	-12.9534
6	167	-13.096
7	167	-13.2236
8	167	-13.3539
9	167	-13.4967
10	167	-13.6466
11	167	-13.798
12	167	-13.8143
13	167	-14.0664
14	167	-14.1829
15	167	-14.2839
16	167	-14.3874
17	167	-14.399
18	167	-14.416
19	167	-14.4278
20	167	-14.3548
21	167	-14.1789
22	167	-13.9795
23	167	-13.7599
24	167	-13.5016
25	167	-13.2287
26	167	-12.939
27	167	-12.5971
28	167	-12.1936
29	167	-11.8272
30	167	-11.3987
31	167	-10.9853
32	167	-10.6247
33	167	-10.2547
34	167	-9.8343
35	167	-9.43176
36	167	-9.03911
37	167	-8.64245
38	167	-8.26644
39	167	-7.91769
40	167	-7.58473
41	167	-7.24925
42	167	-6.93804
43	167	-6.64034
44	167	-6.34738
45	167	-6.05314
46	167	-5.80094

47	167	-5.55389
48	167	-5.33514
49	167	-5.14682
50	167	-4.98261
51	167	-4.83004
52	167	-4.68284
53	167	-4.57036
54	167	-4.47467
55	167	-4.40938
56	167	-4.36568
57	167	-4.33573
58	167	-4.3157
59	167	-4.32857
60	167	-4.36888
61	167	-4.43665
62	167	-4.53429
63	167	-4.65784
64	167	-4.80634
65	167	-4.97308
66	167	-5.16695
67	167	-5.38775
68	167	-5.6358
69	167	-5.94163
70	167	-6.28301
71	167	-6.66923
72	167	-7.09552
73	167	-7.57272
74	167	-8.10881
75	167	-8.71109
76	167	-9.36272
77	167	-10.1344
78	167	-11.0144
79	167	-12.0372
80	167	-13.2517
81	167	-14.6011
82	167	-16.402
83	167	-18.2664
84	167	-20.8517
85	167	-24.3891
86	167	-28.3997
87	167	-27.9162
88	167	-23.94
89	167	-20.6439
90	167	-18.1354
91	167	-16.1502
92	167	-14.5278
93	167	-13.1274
94	167	-12.0165
95	167	-11.0866
96	167	-10.2731
97	167	-9.52344
98	167	-8.84508
99	167	-8.25926
100	167	-7.746
101	167	-7.27479
102	167	-6.85946
103	167	-6.48321
104	167	-6.1626
105	167	-5.88294
106	167	-5.64477
107	167	-5.42924
108	167	-4.83608
109	167	-4.72855
110	167	-4.64873
111	167	-4.58092
112	167	-4.56323
113	167	-4.53608
114	167	-4.5103
115	167	-4.51383
116	167	-4.55795
117	167	-4.64127
118	167	-4.75294
119	167	-4.87787
120	167	-5.01698
121	167	-5.18017
122	167	-5.36276
123	167	-5.5668
124	167	-5.78126
125	167	-5.95408
126	167	-6.17045
127	167	-6.42745
128	167	-6.71119
129	167	-7.00478
130	167	-7.31013
131	167	-7.67484
132	167	-8.05592
133	167	-8.42826
134	167	-8.80971
135	167	-9.24413
136	167	-9.65662
137	167	-10.1019
138	167	-10.6297
139	167	-11.1427
140	167	-11.6161
141	167	-12.0906

142	167	-12.5749
143	167	-13.0744
144	167	-13.6597
145	167	-14.097
146	167	-14.4404
147	167	-14.758
148	167	-15.0166
149	167	-14.9991
150	167	-15.1728
151	167	-15.3125
152	167	-15.3284
153	167	-15.2724
154	167	-15.1913
155	167	-15.0592
156	167	-14.8855
157	167	-14.6923
158	167	-14.4621
159	167	-14.2133
160	167	-13.9022
161	167	-13.6801
162	167	-13.4267
163	167	-13.1587
164	167	-12.9566
165	167	-12.7623
166	167	-12.5684
167	167	-12.4947
168	167	-12.3778
169	167	-12.3134
170	167	-12.2493
171	167	-12.2108
172	167	-12.2042
173	167	-12.1698
174	167	-12.1216
175	167	-12.0745
176	167	-12.0201
177	167	-11.9752
178	167	-11.9559
179	167	-11.945
180	167	-11.9631
-180	168	-14.3499
-179	168	-14.3397
-178	168	-14.327
-177	168	-14.287
-176	168	-14.485
-175	168	-14.4502
-174	168	-14.3987
-173	168	-14.3189
-172	168	-14.2369
-171	168	-14.113
-170	168	-14.0064
-169	168	-13.8234
-168	168	-13.6156
-167	168	-13.4718
-166	168	-13.285
-165	168	-13.0982
-164	168	-12.8919
-163	168	-12.6538
-162	168	-12.3747
-161	168	-12.0946
-160	168	-11.83
-159	168	-11.5664
-158	168	-11.2959
-157	168	-11.0105
-156	168	-10.6899
-155	168	-10.3395
-154	168	-9.99418
-153	168	-9.67167
-152	168	-9.36036
-151	168	-9.05021
-150	168	-8.7474
-149	168	-8.45738
-148	168	-8.16264
-147	168	-7.86222
-146	168	-7.60783
-145	168	-7.35892
-144	168	-7.09343
-143	168	-6.8075
-142	168	-6.52973
-141	168	-6.30355
-140	168	-6.07573
-139	168	-5.84318
-138	168	-5.62144
-137	168	-5.42269
-136	168	-5.2306
-135	168	-5.04218
-134	168	-4.87292
-133	168	-4.71549
-132	168	-4.58198
-131	168	-4.41121
-130	168	-4.2514
-129	168	-4.11233
-128	168	-3.98287
-127	168	-3.87374
-126	168	-3.7443
-125	168	-3.67884

-124	168	-3.63372
-123	168	-3.61928
-122	168	-3.64356
-121	168	-3.7006
-120	168	-3.77543
-119	168	-3.88313
-118	168	-4.00103
-117	168	-4.12871
-116	168	-4.30556
-115	168	-4.51136
-114	168	-4.72657
-113	168	-4.97084
-112	168	-5.25517
-111	168	-5.57109
-110	168	-5.91787
-109	168	-6.31455
-108	168	-6.75824
-107	168	-7.23698
-106	168	-7.76384
-105	168	-8.39517
-104	168	-9.63823
-103	168	-10.4451
-102	168	-11.3535
-101	168	-12.4178
-100	168	-13.6435
-99	168	-15.1533
-98	168	-16.7923
-97	168	-18.9404
-96	168	-21.8676
-95	168	-26.1536
-94	168	-33.618
-93	168	-32.4439
-92	168	-25.3496
-91	168	-21.5246
-90	168	-18.7345
-89	168	-16.6645
-88	168	-15.0255
-87	168	-13.638
-86	168	-12.5164
-85	168	-11.4503
-84	168	-10.4931
-83	168	-9.72045
-82	168	-9.04839
-81	168	-8.43862
-80	168	-7.88998
-79	168	-7.39843
-78	168	-6.97153
-77	168	-6.58638
-76	168	-6.23664
-75	168	-5.91901
-74	168	-5.6483
-73	168	-5.40334
-72	168	-5.19304
-71	168	-5.00932
-70	168	-4.8516
-69	168	-4.72395
-68	168	-4.63612
-67	168	-4.59162
-66	168	-4.55889
-65	168	-4.53409
-64	168	-4.5013
-63	168	-4.50236
-62	168	-4.50441
-61	168	-4.50517
-60	168	-4.53521
-59	168	-4.56818
-58	168	-4.62057
-57	168	-4.6726
-56	168	-4.73235
-55	168	-4.81377
-54	168	-4.92516
-53	168	-5.07255
-52	168	-5.26446
-51	168	-5.45907
-50	168	-5.63585
-49	168	-5.84457
-48	168	-6.09243
-47	168	-6.34489
-46	168	-6.62038
-45	168	-6.85859
-44	168	-7.11796
-43	168	-7.3836
-42	168	-7.6612
-41	168	-7.93848
-40	168	-8.20859
-39	168	-8.54854
-38	168	-8.91241
-37	168	-9.29825
-36	168	-9.67772
-35	168	-10.0102
-34	168	-10.376
-33	168	-10.7461
-32	168	-11.0882
-31	168	-11.4126
-30	168	-11.7329

-29	168	-12.079
-28	168	-12.3991
-27	168	-12.7183
-26	168	-13.0252
-25	168	-13.2868
-24	168	-13.5208
-23	168	-13.7379
-22	168	-13.9391
-21	168	-14.0707
-20	168	-14.1787
-19	168	-14.244
-18	168	-14.3062
-17	168	-14.3223
-16	168	-14.3633
-15	168	-14.3726
-14	168	-14.39
-13	168	-14.4599
-12	168	-14.396
-11	168	-14.5033
-10	168	-14.5558
-9	168	-14.5829
-8	168	-14.6982
-7	168	-14.7769
-6	168	-14.8196
-5	168	-14.8729
-4	168	-14.9203
-3	168	-14.9704
-2	168	-15.0662
-1	168	-15.0654
0	168	-15.053
1	168	-15.0534
2	168	-15.0131
3	168	-14.965
4	168	-14.8941
5	168	-14.8157
6	168	-14.7077
7	168	-14.5875
8	168	-14.5613
9	168	-14.4543
10	168	-14.3207
11	168	-14.1504
12	168	-13.9643
13	168	-13.7874
14	168	-13.5644
15	168	-13.3313
16	168	-13.0641
17	168	-12.7654
18	168	-12.4617
19	168	-12.1874
20	168	-11.8933
21	168	-11.5899
22	168	-11.3099
23	168	-11.0471
24	168	-10.7594
25	168	-10.3894
26	168	-10.0086
27	168	-9.6929
28	168	-9.39856
29	168	-9.11497
30	168	-8.79477
31	168	-8.50484
32	168	-8.21873
33	168	-7.94527
34	168	-7.68795
35	168	-7.46905
36	168	-7.19928
37	168	-6.90945
38	168	-6.64893
39	168	-6.43071
40	168	-6.2239
41	168	-6.03054
42	168	-5.8215
43	168	-5.6234
44	168	-5.43845
45	168	-5.25594
46	168	-5.09231
47	168	-4.944
48	168	-4.8062
49	168	-4.67919
50	168	-4.56706
51	168	-4.47885
52	168	-4.40296
53	168	-4.35489
54	168	-4.32997
55	168	-4.32402
56	168	-4.33704
57	168	-4.36678
58	168	-4.40739
59	168	-4.47251
60	168	-4.5467
61	168	-4.64322
62	168	-4.75767
63	168	-4.90887
64	168	-5.08057
65	168	-5.27537

66	168	-5.48489
67	168	-5.75569
68	168	-6.03871
69	168	-6.38792
70	168	-6.7547
71	168	-7.16822
72	168	-7.61862
73	168	-8.12106
74	168	-8.68354
75	168	-9.3217
76	168	-10.0261
77	168	-10.8255
78	168	-11.7301
79	168	-12.7722
80	168	-13.9794
81	168	-15.3517
82	168	-16.9885
83	168	-19.0628
84	168	-21.8014
85	168	-24.6728
86	168	-28.1012
87	168	-27.9814
88	168	-24.3523
89	168	-21.0179
90	168	-18.5077
91	168	-16.5894
92	168	-15.0298
93	168	-13.6717
94	168	-12.5749
95	168	-11.6029
96	168	-10.7346
97	168	-9.97356
98	168	-9.29831
99	168	-8.68903
100	168	-8.13724
101	168	-7.63241
102	168	-7.19129
103	168	-6.80389
104	168	-6.46528
105	168	-6.16059
106	168	-5.90527
107	168	-5.67474
108	168	-5.47598
109	168	-4.87249
110	168	-4.73864
111	168	-4.64529
112	168	-4.60312
113	168	-4.57432
114	168	-4.55797
115	168	-4.5667
116	168	-4.58211
117	168	-4.60772
118	168	-4.64843
119	168	-4.69812
120	168	-4.75997
121	168	-4.82794
122	168	-4.90591
123	168	-4.99451
124	168	-5.10115
125	168	-5.23442
126	168	-5.38925
127	168	-5.57202
128	168	-5.77475
129	168	-5.94411
130	168	-6.17928
131	168	-6.42058
132	168	-6.68007
133	168	-6.94929
134	168	-7.23099
135	168	-7.46811
136	168	-7.6983
137	168	-7.97854
138	168	-8.33268
139	168	-8.7215
140	168	-9.06914
141	168	-9.40916
142	168	-9.77462
143	168	-10.1246
144	168	-10.4659
145	168	-10.7918
146	168	-11.1893
147	168	-11.6466
148	168	-12.0441
149	168	-12.5107
150	168	-12.8485
151	168	-13.1809
152	168	-13.5018
153	168	-13.7963
154	168	-14.064
155	168	-14.2766
156	168	-14.4351
157	168	-14.5672
158	168	-14.6903
159	168	-14.7499
160	168	-14.7577

161	168	-14.7146
162	168	-14.6564
163	168	-14.5875
164	168	-14.5432
165	168	-14.2333
166	168	-14.176
167	168	-14.2087
168	168	-14.1963
169	168	-14.0971
170	168	-14.2074
171	168	-14.1757
172	168	-14.2637
173	168	-14.3165
174	168	-14.3206
175	168	-14.3297
176	168	-14.3392
177	168	-14.3541
178	168	-14.3675
179	168	-14.3746
180	168	-14.3499
-180	169	-12.6364
-179	169	-12.5648
-178	169	-12.5223
-177	169	-12.4546
-176	169	-12.3724
-175	169	-12.2827
-174	169	-12.1635
-173	169	-12.0176
-172	169	-11.8366
-171	169	-11.645
-170	169	-11.4067
-169	169	-11.2075
-168	169	-11.0221
-167	169	-10.7455
-166	169	-10.4894
-165	169	-10.2352
-164	169	-9.9836
-163	169	-9.73578
-162	169	-9.4842
-161	169	-9.2369
-160	169	-8.9944
-159	169	-8.75782
-158	169	-8.52641
-157	169	-8.31583
-156	169	-8.13003
-155	169	-7.9338
-154	169	-7.72701
-153	169	-7.54371
-152	169	-7.33028
-151	169	-7.13846
-150	169	-6.90528
-149	169	-6.6857
-148	169	-6.46515
-147	169	-6.28572
-146	169	-6.09303
-145	169	-5.90267
-144	169	-5.77113
-143	169	-5.56871
-142	169	-5.42697
-141	169	-5.27732
-140	169	-5.12068
-139	169	-4.97473
-138	169	-4.83822
-137	169	-4.74018
-136	169	-4.60706
-135	169	-4.47883
-134	169	-4.36981
-133	169	-4.22493
-132	169	-4.14275
-131	169	-4.06675
-130	169	-3.99652
-129	169	-3.94033
-128	169	-3.89035
-127	169	-3.84703
-126	169	-3.82
-125	169	-3.80485
-124	169	-3.81142
-123	169	-3.83708
-122	169	-3.88464
-121	169	-3.9411
-120	169	-4.04369
-119	169	-4.18474
-118	169	-4.35119
-117	169	-4.53074
-116	169	-4.73037
-115	169	-4.96309
-114	169	-5.21757
-113	169	-5.5006
-112	169	-5.81357
-111	169	-6.16614
-110	169	-6.54409
-109	169	-6.97197
-108	169	-7.44052
-107	169	-7.95659
-106	169	-8.90118

-105	169	-9.53586
-104	169	-10.2349
-103	169	-10.9777
-102	169	-11.9309
-101	169	-12.944
-100	169	-14.0997
-99	169	-15.4374
-98	169	-17.117
-97	169	-19.1935
-96	169	-21.8424
-95	169	-25.6245
-94	169	-31.5817
-93	169	-33.2597
-92	169	-26.5054
-91	169	-22.4378
-90	169	-19.6609
-89	169	-17.5961
-88	169	-15.936
-87	169	-14.408
-86	169	-13.1594
-85	169	-12.1292
-84	169	-11.2571
-83	169	-10.4948
-82	169	-9.80451
-81	169	-9.18376
-80	169	-8.63732
-79	169	-8.12868
-78	169	-7.6795
-77	169	-7.26425
-76	169	-6.88682
-75	169	-6.53968
-74	169	-6.24872
-73	169	-5.99597
-72	169	-5.78108
-71	169	-5.58449
-70	169	-5.40365
-69	169	-5.23118
-68	169	-5.06642
-67	169	-4.92848
-66	169	-4.8008
-65	169	-4.68706
-64	169	-4.58201
-63	169	-4.49897
-62	169	-4.43488
-61	169	-4.35073
-60	169	-4.30841
-59	169	-4.27793
-58	169	-4.27364
-57	169	-4.28471
-56	169	-4.31998
-55	169	-4.37057
-54	169	-4.44985
-53	169	-4.56695
-52	169	-4.70799
-51	169	-4.83149
-50	169	-4.93801
-49	169	-5.07207
-48	169	-5.22186
-47	169	-5.37181
-46	169	-5.52853
-45	169	-5.69066
-44	169	-5.85913
-43	169	-6.0391
-42	169	-6.22207
-41	169	-6.42151
-40	169	-6.60951
-39	169	-6.7799
-38	169	-6.98684
-37	169	-7.2465
-36	169	-7.51203
-35	169	-7.78217
-34	169	-8.03759
-33	169	-8.30448
-32	169	-8.54008
-31	169	-8.75591
-30	169	-8.95015
-29	169	-9.17259
-28	169	-9.35122
-27	169	-9.56604
-26	169	-9.77088
-25	169	-9.98025
-24	169	-10.178
-23	169	-10.3548
-22	169	-10.521
-21	169	-10.6769
-20	169	-10.8182
-19	169	-10.946
-18	169	-11.0727
-17	169	-11.2012
-16	169	-11.2504
-15	169	-11.2642
-14	169	-11.3634
-13	169	-11.4239
-12	169	-11.4863
-11	169	-11.5721

-10	169	-11.6286
-9	169	-11.7028
-8	169	-11.7758
-7	169	-11.8424
-6	169	-11.9098
-5	169	-11.985
-4	169	-12.0537
-3	169	-12.1132
-2	169	-12.1542
-1	169	-12.1783
0	169	-12.1815
1	169	-12.1235
2	169	-12.07
3	169	-12.0124
4	169	-11.9154
5	169	-11.7985
6	169	-11.7224
7	169	-11.5782
8	169	-11.4237
9	169	-11.2873
10	169	-11.116
11	169	-10.9362
12	169	-10.7574
13	169	-10.5427
14	169	-10.3265
15	169	-10.1036
16	169	-9.86727
17	169	-9.62687
18	169	-9.37539
19	169	-9.14761
20	169	-8.89541
21	169	-8.70259
22	169	-8.46537
23	169	-8.22181
24	169	-8.01653
25	169	-7.82793
26	169	-7.6361
27	169	-7.46835
28	169	-7.28718
29	169	-7.10295
30	169	-6.8949
31	169	-6.67758
32	169	-6.47124
33	169	-6.29348
34	169	-6.10634
35	169	-5.93523
36	169	-5.77498
37	169	-5.62511
38	169	-5.49455
39	169	-5.38193
40	169	-5.24275
41	169	-5.10135
42	169	-4.97589
43	169	-4.86998
44	169	-4.78013
45	169	-4.69131
46	169	-4.61784
47	169	-4.55699
48	169	-4.51409
49	169	-4.48509
50	169	-4.46766
51	169	-4.46546
52	169	-4.46252
53	169	-4.4773
54	169	-4.49782
55	169	-4.53003
56	169	-4.56874
57	169	-4.6039
58	169	-4.70286
59	169	-4.78723
60	169	-4.89514
61	169	-5.01937
62	169	-5.16018
63	169	-5.33733
64	169	-5.51444
65	169	-5.7239
66	169	-5.97892
67	169	-6.26155
68	169	-6.58395
69	169	-6.9414
70	169	-7.31355
71	169	-7.73799
72	169	-8.20596
73	169	-8.72576
74	169	-9.30208
75	169	-9.94651
76	169	-10.6469
77	169	-11.4388
78	169	-12.3536
79	169	-13.3037
80	169	-14.457
81	169	-15.776
82	169	-17.3741
83	169	-19.3603
84	169	-21.8637

85	169	-25.1984
86	169	-28.4206
87	169	-27.951
88	169	-24.8589
89	169	-21.7182
90	169	-19.346
91	169	-17.4264
92	169	-15.848
93	169	-14.4628
94	169	-13.3426
95	169	-12.3558
96	169	-11.4774
97	169	-10.7015
98	169	-10.0036
99	169	-9.3763
100	169	-8.81327
101	169	-8.30805
102	169	-7.86203
103	169	-7.45941
104	169	-7.09763
105	169	-6.77311
106	169	-6.50809
107	169	-6.2913
108	169	-6.08717
109	169	-5.90686
110	169	-5.7351
111	169	-5.11935
112	169	-5.01803
113	169	-4.88976
114	169	-4.78864
115	169	-4.70924
116	169	-4.6414
117	169	-4.57842
118	169	-4.52492
119	169	-4.49364
120	169	-4.48011
121	169	-4.48955
122	169	-4.51878
123	169	-4.56568
124	169	-4.63191
125	169	-4.71621
126	169	-4.82076
127	169	-4.94472
128	169	-5.08229
129	169	-5.22921
130	169	-5.39009
131	169	-5.55425
132	169	-5.72511
133	169	-5.87972
134	169	-6.06774
135	169	-6.24613
136	169	-6.3896
137	169	-6.49804
138	169	-6.70247
139	169	-6.98251
140	169	-7.22688
141	169	-7.42395
142	169	-7.6321
143	169	-7.88465
144	169	-8.14302
145	169	-8.39478
146	169	-8.65557
147	169	-8.9188
148	169	-9.1768
149	169	-9.42637
150	169	-9.67612
151	169	-9.92746
152	169	-10.1728
153	169	-10.4103
154	169	-10.6416
155	169	-10.9664
156	169	-11.1733
157	169	-11.3383
158	169	-11.5068
159	169	-11.652
160	169	-11.7479
161	169	-11.8435
162	169	-11.9088
163	169	-11.9704
164	169	-11.9969
165	169	-12.0173
166	169	-12.0603
167	169	-12.1094
168	169	-12.1497
169	169	-12.1966
170	169	-12.2506
171	169	-12.2867
172	169	-12.3364
173	169	-12.4674
174	169	-12.5616
175	169	-12.483
176	169	-12.4838
177	169	-12.6339
178	169	-12.6519
179	169	-12.6648

180	169	-12.6364
-180	170	-9.34689
-179	170	-9.34019
-178	170	-9.16396
-177	170	-9.18636
-176	170	-9.14786
-175	170	-9.06554
-174	170	-8.97808
-173	170	-8.88165
-172	170	-8.74776
-171	170	-8.62373
-170	170	-8.49507
-169	170	-8.34199
-168	170	-8.18564
-167	170	-8.02239
-166	170	-7.87612
-165	170	-7.74285
-164	170	-7.56118
-163	170	-7.40734
-162	170	-7.26217
-161	170	-7.11569
-160	170	-6.98157
-159	170	-6.8149
-158	170	-6.64143
-157	170	-6.47587
-156	170	-6.32531
-155	170	-6.18365
-154	170	-6.03723
-153	170	-5.88419
-152	170	-5.73547
-151	170	-5.59876
-150	170	-5.4733
-149	170	-5.34372
-148	170	-5.23756
-147	170	-5.11577
-146	170	-5.02817
-145	170	-4.93915
-144	170	-4.85437
-143	170	-4.7664
-142	170	-4.60647
-141	170	-4.51587
-140	170	-4.39894
-139	170	-4.30008
-138	170	-4.21918
-137	170	-4.16717
-136	170	-4.1171
-135	170	-4.05691
-134	170	-4.00768
-133	170	-3.96667
-132	170	-3.93924
-131	170	-3.92228
-130	170	-3.91646
-129	170	-3.92364
-128	170	-3.9333
-127	170	-3.95647
-126	170	-3.98351
-125	170	-4.02914
-124	170	-4.11006
-123	170	-4.19918
-122	170	-4.30048
-121	170	-4.41744
-120	170	-4.55148
-119	170	-4.7067
-118	170	-4.88566
-117	170	-5.08718
-116	170	-5.32211
-115	170	-5.58086
-114	170	-5.86113
-113	170	-6.17508
-112	170	-6.52376
-111	170	-6.89469
-110	170	-7.29225
-109	170	-7.72846
-108	170	-8.19438
-107	170	-9.00364
-106	170	-9.57704
-105	170	-10.2091
-104	170	-10.8871
-103	170	-11.6649
-102	170	-12.3805
-101	170	-13.5383
-100	170	-14.7352
-99	170	-16.1157
-98	170	-17.737
-97	170	-19.7152
-96	170	-22.3342
-95	170	-25.9221
-94	170	-30.9726
-93	170	-32.8494
-92	170	-27.8919
-91	170	-24.1393
-90	170	-21.1827
-89	170	-18.7465
-88	170	-16.8377
-87	170	-15.2969

-86	170	-14.11
-85	170	-13.0574
-84	170	-12.1089
-83	170	-11.2767
-82	170	-10.5578
-81	170	-9.94141
-80	170	-9.39128
-79	170	-8.87858
-78	170	-8.40867
-77	170	-7.9747
-76	170	-7.57383
-75	170	-7.19728
-74	170	-6.85496
-73	170	-6.54301
-72	170	-6.25652
-71	170	-5.99648
-70	170	-5.76207
-69	170	-5.54329
-68	170	-5.33377
-67	170	-5.14954
-66	170	-4.97418
-65	170	-4.82098
-64	170	-4.68066
-63	170	-4.56474
-62	170	-4.49435
-61	170	-4.38603
-60	170	-4.31654
-59	170	-4.26912
-58	170	-4.23515
-57	170	-4.22178
-56	170	-4.21163
-55	170	-4.24102
-54	170	-4.28412
-53	170	-4.35233
-52	170	-4.4153
-51	170	-4.45629
-50	170	-4.50378
-49	170	-4.58218
-48	170	-4.67194
-47	170	-4.75863
-46	170	-4.84696
-45	170	-4.9312
-44	170	-5.01077
-43	170	-5.09995
-42	170	-5.20872
-41	170	-5.33541
-40	170	-5.45537
-39	170	-5.57908
-38	170	-5.69932
-37	170	-5.84834
-36	170	-6.01474
-35	170	-6.18179
-34	170	-6.34664
-33	170	-6.50809
-32	170	-6.67825
-31	170	-6.83664
-30	170	-6.97823
-29	170	-7.1033
-28	170	-7.21955
-27	170	-7.32239
-26	170	-7.42625
-25	170	-7.5487
-24	170	-7.67352
-23	170	-7.80244
-22	170	-7.89055
-21	170	-8.00622
-20	170	-8.10687
-19	170	-8.19078
-18	170	-8.26766
-17	170	-8.34239
-16	170	-8.40338
-15	170	-8.45361
-14	170	-8.50373
-13	170	-8.53609
-12	170	-8.56751
-11	170	-8.59879
-10	170	-8.61469
-9	170	-8.64037
-8	170	-8.66888
-7	170	-8.70049
-6	170	-8.73086
-5	170	-8.7626
-4	170	-8.7794
-3	170	-8.81424
-2	170	-8.82653
-1	170	-8.83359
0	170	-8.8264
1	170	-8.81364
2	170	-8.79765
3	170	-8.76482
4	170	-8.81959
5	170	-8.67429
6	170	-8.60895
7	170	-8.52723
8	170	-8.43612

9	170	-8.33041
10	170	-8.21779
11	170	-8.0952
12	170	-7.96256
13	170	-7.8074
14	170	-7.67879
15	170	-7.54368
16	170	-7.40529
17	170	-7.27244
18	170	-7.13181
19	170	-6.96651
20	170	-6.82188
21	170	-6.67887
22	170	-6.52733
23	170	-6.4128
24	170	-6.26555
25	170	-6.13409
26	170	-6.00386
27	170	-5.86617
28	170	-5.72713
29	170	-5.59404
30	170	-5.46916
31	170	-5.35595
32	170	-5.25374
33	170	-5.16391
34	170	-5.08234
35	170	-4.99803
36	170	-4.90912
37	170	-4.82493
38	170	-4.73953
39	170	-4.65973
40	170	-4.58714
41	170	-4.51763
42	170	-4.46583
43	170	-4.44343
44	170	-4.42865
45	170	-4.40277
46	170	-4.38607
47	170	-4.37784
48	170	-4.38048
49	170	-4.3943
50	170	-4.41788
51	170	-4.45264
52	170	-4.48402
53	170	-4.53664
54	170	-4.60603
55	170	-4.68417
56	170	-4.77277
57	170	-4.8758
58	170	-4.98934
59	170	-5.12395
60	170	-5.27615
61	170	-5.44837
62	170	-5.62885
63	170	-5.83491
64	170	-6.07025
65	170	-6.31071
66	170	-6.5773
67	170	-6.88154
68	170	-7.20838
69	170	-7.5718
70	170	-7.96385
71	170	-8.40244
72	170	-8.8826
73	170	-9.41093
74	170	-9.98586
75	170	-10.6303
76	170	-11.3108
77	170	-12.1077
78	170	-12.9618
79	170	-13.9668
80	170	-15.1407
81	170	-16.4612
82	170	-18.0072
83	170	-19.8706
84	170	-22.1646
85	170	-25.0748
86	170	-28.3085
87	170	-29.4086
88	170	-26.2311
89	170	-23.158
90	170	-20.875
91	170	-18.7869
92	170	-17.0522
93	170	-15.57
94	170	-14.345
95	170	-13.2761
96	170	-12.3322
97	170	-11.5168
98	170	-10.8083
99	170	-10.1894
100	170	-9.64386
101	170	-9.13733
102	170	-8.68197
103	170	-8.26286

104	170	-7.87266
105	170	-7.51541
106	170	-7.17856
107	170	-6.87127
108	170	-6.60801
109	170	-6.35956
110	170	-6.11586
111	170	-5.89826
112	170	-5.70992
113	170	-5.08027
114	170	-4.9442
115	170	-4.82488
116	170	-4.71484
117	170	-4.63018
118	170	-4.55727
119	170	-4.49789
120	170	-4.45562
121	170	-4.42632
122	170	-4.41191
123	170	-4.41141
124	170	-4.42608
125	170	-4.46292
126	170	-4.51765
127	170	-4.58787
128	170	-4.66104
129	170	-4.73269
130	170	-4.81523
131	170	-4.91405
132	170	-5.0227
133	170	-5.1377
134	170	-5.25144
135	170	-5.35696
136	170	-5.44679
137	170	-5.53256
138	170	-5.64494
139	170	-5.78382
140	170	-5.89898
141	170	-6.04743
142	170	-6.19919
143	170	-6.37164
144	170	-6.54043
145	170	-6.68923
146	170	-6.84577
147	170	-7.00799
148	170	-7.17759
149	170	-7.34035
150	170	-7.49055
151	170	-7.63743
152	170	-7.78277
153	170	-7.92558
154	170	-8.05711
155	170	-8.19114
156	170	-8.31657
157	170	-8.42705
158	170	-8.53111
159	170	-8.63875
160	170	-8.71694
161	170	-8.793
162	170	-8.86896
163	170	-8.9251
164	170	-9.05503
165	170	-9.10275
166	170	-9.13948
167	170	-9.16116
168	170	-9.17545
169	170	-9.19011
170	170	-9.20714
171	170	-9.21825
172	170	-9.23391
173	170	-9.25603
174	170	-9.27503
175	170	-9.29432
176	170	-9.32982
177	170	-9.33562
178	170	-9.3246
179	170	-9.32602
180	170	-9.34689
-180	171	-6.86202
-179	171	-6.82571
-178	171	-6.79183
-177	171	-6.8332
-176	171	-6.80835
-175	171	-6.76545
-174	171	-6.73669
-173	171	-6.70554
-172	171	-6.67013
-171	171	-6.55928
-170	171	-6.47701
-169	171	-6.40574
-168	171	-6.34189
-167	171	-6.25504
-166	171	-6.16127
-165	171	-6.07339
-164	171	-5.97279
-163	171	-5.86795

-162	171	-5.77193
-161	171	-5.59085
-160	171	-5.47534
-159	171	-5.3706
-158	171	-5.27303
-157	171	-5.18246
-156	171	-5.09136
-155	171	-4.99538
-154	171	-4.89756
-153	171	-4.80255
-152	171	-4.73672
-151	171	-4.64008
-150	171	-4.55018
-149	171	-4.47063
-148	171	-4.39031
-147	171	-4.3161
-146	171	-4.22868
-145	171	-4.16682
-144	171	-4.11282
-143	171	-4.05266
-142	171	-4.00619
-141	171	-3.96464
-140	171	-3.93455
-139	171	-3.90002
-138	171	-3.91959
-137	171	-3.86029
-136	171	-3.86848
-135	171	-3.87092
-134	171	-3.88003
-133	171	-3.88641
-132	171	-3.90131
-131	171	-3.94165
-130	171	-4.00555
-129	171	-4.06774
-128	171	-4.12364
-127	171	-4.18772
-126	171	-4.2629
-125	171	-4.35592
-124	171	-4.47128
-123	171	-4.60014
-122	171	-4.75011
-121	171	-4.90876
-120	171	-5.08254
-119	171	-5.27577
-118	171	-5.492
-117	171	-5.7263
-116	171	-5.99194
-115	171	-6.29125
-114	171	-6.61055
-113	171	-6.97128
-112	171	-7.36426
-111	171	-7.78507
-110	171	-8.43896
-109	171	-8.91029
-108	171	-9.41939
-107	171	-9.99669
-106	171	-10.6141
-105	171	-11.2905
-104	171	-12.0358
-103	171	-12.8594
-102	171	-13.7889
-101	171	-14.7739
-100	171	-16.1249
-99	171	-17.617
-98	171	-19.3927
-97	171	-21.5975
-96	171	-24.4866
-95	171	-28.5152
-94	171	-34.4014
-93	171	-32.7901
-92	171	-27.2134
-91	171	-23.2921
-90	171	-20.6781
-89	171	-18.7307
-88	171	-17.1812
-87	171	-15.8319
-86	171	-14.7401
-85	171	-13.7384
-84	171	-12.8286
-83	171	-12.0305
-82	171	-11.303
-81	171	-10.6546
-80	171	-10.0667
-79	171	-9.52575
-78	171	-9.0393
-77	171	-8.59825
-76	171	-8.19213
-75	171	-7.81131
-74	171	-7.4632
-73	171	-7.135
-72	171	-6.82683
-71	171	-6.53407
-70	171	-6.26449
-69	171	-6.01306
-68	171	-5.77106

-67	171	-5.559
-66	171	-5.3601
-65	171	-5.1818
-64	171	-5.02075
-63	171	-4.88307
-62	171	-4.78727
-61	171	-4.67038
-60	171	-4.57543
-59	171	-4.51756
-58	171	-4.46319
-57	171	-4.41524
-56	171	-4.38995
-55	171	-4.383
-54	171	-4.37472
-53	171	-4.39617
-52	171	-4.3898
-51	171	-4.36575
-50	171	-4.35221
-49	171	-4.37491
-48	171	-4.41704
-47	171	-4.46828
-46	171	-4.50931
-45	171	-4.54212
-44	171	-4.57148
-43	171	-4.60611
-42	171	-4.65579
-41	171	-4.70718
-40	171	-4.76443
-39	171	-4.81505
-38	171	-4.87079
-37	171	-4.94313
-36	171	-5.00961
-35	171	-5.07851
-34	171	-5.16128
-33	171	-5.25851
-32	171	-5.34707
-31	171	-5.44292
-30	171	-5.52353
-29	171	-5.61269
-28	171	-5.7115
-27	171	-5.79337
-26	171	-5.85156
-25	171	-5.92184
-24	171	-5.98474
-23	171	-6.03386
-22	171	-6.09413
-21	171	-6.09313
-20	171	-6.18753
-19	171	-6.23587
-18	171	-6.28447
-17	171	-6.33171
-16	171	-6.37434
-15	171	-6.41681
-14	171	-6.44994
-13	171	-6.47647
-12	171	-6.4978
-11	171	-6.5053
-10	171	-6.5111
-9	171	-6.5284
-8	171	-6.54024
-7	171	-6.55295
-6	171	-6.56312
-5	171	-6.57516
-4	171	-6.57908
-3	171	-6.58357
-2	171	-6.58385
-1	171	-6.57862
0	171	-6.57323
1	171	-6.5666
2	171	-6.55775
3	171	-6.54046
4	171	-6.52154
5	171	-6.5034
6	171	-6.47387
7	171	-6.43478
8	171	-6.38832
9	171	-6.33578
10	171	-6.28329
11	171	-6.22008
12	171	-6.15136
13	171	-6.0768
14	171	-5.99049
15	171	-5.89021
16	171	-5.78624
17	171	-5.69435
18	171	-5.60066
19	171	-5.50235
20	171	-5.40469
21	171	-5.31377
22	171	-5.22498
23	171	-5.14711
24	171	-5.06919
25	171	-4.98892
26	171	-4.92911
27	171	-4.8595

28	171	-4.79015
29	171	-4.72102
30	171	-4.65399
31	171	-4.58388
32	171	-4.51979
33	171	-4.46023
34	171	-4.40586
35	171	-4.35365
36	171	-4.30886
37	171	-4.27339
38	171	-4.23918
39	171	-4.22476
40	171	-4.22425
41	171	-4.22229
42	171	-4.22631
43	171	-4.24205
44	171	-4.26816
45	171	-4.30729
46	171	-4.3508
47	171	-4.39363
48	171	-4.4467
49	171	-4.51428
50	171	-4.58481
51	171	-4.65231
52	171	-4.71385
53	171	-4.787
54	171	-4.87437
55	171	-4.97618
56	171	-5.09325
57	171	-5.22868
58	171	-5.37788
59	171	-5.54528
60	171	-5.72184
61	171	-5.90767
62	171	-6.1235
63	171	-6.36459
64	171	-6.62561
65	171	-6.90625
66	171	-7.21565
67	171	-7.55581
68	171	-7.91585
69	171	-8.31681
70	171	-8.73637
71	171	-9.19945
72	171	-9.69598
73	171	-10.2517
74	171	-10.868
75	171	-11.5654
76	171	-12.2565
77	171	-13.076
78	171	-13.992
79	171	-15.0293
80	171	-16.2313
81	171	-17.5746
82	171	-19.1397
83	171	-21.0296
84	171	-23.2788
85	171	-25.9043
86	171	-28.0947
87	171	-27.7714
88	171	-25.5025
89	171	-22.9935
90	171	-20.8044
91	171	-18.8297
92	171	-17.2693
93	171	-16.0876
94	171	-14.9811
95	171	-13.9573
96	171	-13.0578
97	171	-12.2657
98	171	-11.5408
99	171	-10.891
100	171	-10.3043
101	171	-9.77695
102	171	-9.30503
103	171	-8.88282
104	171	-8.47599
105	171	-8.09564
106	171	-7.76076
107	171	-7.44204
108	171	-7.1347
109	171	-6.85697
110	171	-6.58752
111	171	-6.36253
112	171	-6.14356
113	171	-5.92236
114	171	-5.72767
115	171	-5.11194
116	171	-4.97595
117	171	-4.8643
118	171	-4.76161
119	171	-4.68378
120	171	-4.62042
121	171	-4.57063
122	171	-4.53406

123	171	-4.50614
124	171	-4.4952
125	171	-4.48752
126	171	-4.49566
127	171	-4.51546
128	171	-4.54043
129	171	-4.55654
130	171	-4.56842
131	171	-4.59338
132	171	-4.64138
133	171	-4.70309
134	171	-4.76352
135	171	-4.81535
136	171	-4.85767
137	171	-4.89308
138	171	-4.93668
139	171	-5.01512
140	171	-5.11883
141	171	-5.20337
142	171	-5.267
143	171	-5.34793
144	171	-5.44208
145	171	-5.5483
146	171	-5.65444
147	171	-5.75464
148	171	-5.85138
149	171	-5.9054
150	171	-5.99132
151	171	-6.07659
152	171	-6.16047
153	171	-6.23801
154	171	-6.30833
155	171	-6.37376
156	171	-6.44932
157	171	-6.51145
158	171	-6.56598
159	171	-6.61331
160	171	-6.6622
161	171	-6.70605
162	171	-6.74857
163	171	-6.78676
164	171	-6.81827
165	171	-6.84632
166	171	-6.86492
167	171	-6.88067
168	171	-6.88949
169	171	-6.8931
170	171	-6.89738
171	171	-6.90335
172	171	-6.90872
173	171	-6.91269
174	171	-6.91403
175	171	-6.9122
176	171	-6.9045
177	171	-6.90463
178	171	-6.89643
179	171	-6.88534
180	171	-6.86202
-180	172	-5.32614
-179	172	-5.30729
-178	172	-5.27948
-177	172	-5.26721
-176	172	-5.25211
-175	172	-5.23059
-174	172	-5.2066
-173	172	-5.18103
-172	172	-5.15144
-171	172	-5.11529
-170	172	-5.10511
-169	172	-5.06505
-168	172	-5.0222
-167	172	-4.96735
-166	172	-4.90536
-165	172	-4.85943
-164	172	-4.79527
-163	172	-4.74432
-162	172	-4.7164
-161	172	-4.62541
-160	172	-4.53989
-159	172	-4.48831
-158	172	-4.44289
-157	172	-4.41636
-156	172	-4.3306
-155	172	-4.2681
-154	172	-4.224
-153	172	-4.17804
-152	172	-4.12656
-151	172	-4.07629
-150	172	-4.01637
-149	172	-3.97872
-148	172	-3.94766
-147	172	-3.91222
-146	172	-3.88122
-145	172	-3.85711
-144	172	-3.83998

-143	172	-3.82627
-142	172	-3.82345
-141	172	-3.80756
-140	172	-3.81272
-139	172	-3.83675
-138	172	-3.84799
-137	172	-3.87638
-136	172	-3.90425
-135	172	-3.93923
-134	172	-4.00159
-133	172	-4.05376
-132	172	-4.08746
-131	172	-4.15351
-130	172	-4.23283
-129	172	-4.32615
-128	172	-4.42827
-127	172	-4.53208
-126	172	-4.64565
-125	172	-4.77371
-124	172	-4.91357
-123	172	-5.06931
-122	172	-5.25098
-121	172	-5.4446
-120	172	-5.65333
-119	172	-5.88063
-118	172	-6.13503
-117	172	-6.41573
-116	172	-6.74927
-115	172	-7.14121
-114	172	-7.55638
-113	172	-8.10029
-112	172	-8.46845
-111	172	-8.8615
-110	172	-9.28041
-109	172	-9.74762
-108	172	-10.2506
-107	172	-10.7986
-106	172	-11.3909
-105	172	-12.0765
-104	172	-12.8052
-103	172	-13.6203
-102	172	-14.5202
-101	172	-15.5259
-100	172	-16.6771
-99	172	-17.9991
-98	172	-19.5805
-97	172	-21.5795
-96	172	-24.2977
-95	172	-28.2001
-94	172	-34.0472
-93	172	-34.8824
-92	172	-28.8837
-91	172	-25
-90	172	-22.3151
-89	172	-20.2737
-88	172	-18.545
-87	172	-17.0462
-86	172	-15.8441
-85	172	-14.7939
-84	172	-13.8508
-83	172	-13.0076
-82	172	-12.2548
-81	172	-11.5793
-80	172	-10.971
-79	172	-10.4125
-78	172	-9.89459
-77	172	-9.41221
-76	172	-8.96532
-75	172	-8.54712
-74	172	-8.17188
-73	172	-7.82222
-72	172	-7.49818
-71	172	-7.19207
-70	172	-6.91128
-69	172	-6.64958
-68	172	-6.40771
-67	172	-6.19558
-66	172	-5.99642
-65	172	-5.81664
-64	172	-5.64894
-63	172	-5.49295
-62	172	-5.36878
-61	172	-5.25204
-60	172	-5.11376
-59	172	-5.00015
-58	172	-4.91988
-57	172	-4.84795
-56	172	-4.8025
-55	172	-4.77036
-54	172	-4.72983
-53	172	-4.68056
-52	172	-4.60207
-51	172	-4.54437
-50	172	-4.50219
-49	172	-4.4754

-48	172	-4.45851
-47	172	-4.44482
-46	172	-4.4317
-45	172	-4.41859
-44	172	-4.41265
-43	172	-4.4141
-42	172	-4.41301
-41	172	-4.41788
-40	172	-4.41828
-39	172	-4.40646
-38	172	-4.41359
-37	172	-4.43639
-36	172	-4.45992
-35	172	-4.48337
-34	172	-4.50829
-33	172	-4.54029
-32	172	-4.58404
-31	172	-4.62017
-30	172	-4.66092
-29	172	-4.71243
-28	172	-4.75301
-27	172	-4.80004
-26	172	-4.81745
-25	172	-4.86402
-24	172	-4.91483
-23	172	-4.94227
-22	172	-4.96749
-21	172	-4.9879
-20	172	-5.00875
-19	172	-5.02369
-18	172	-5.02383
-17	172	-5.04079
-16	172	-5.04826
-15	172	-5.05435
-14	172	-5.06298
-13	172	-5.07427
-12	172	-5.08403
-11	172	-5.09029
-10	172	-5.09689
-9	172	-5.10409
-8	172	-5.11019
-7	172	-5.11765
-6	172	-5.12494
-5	172	-5.12509
-4	172	-5.13197
-3	172	-5.131
-2	172	-5.12598
-1	172	-5.11804
0	172	-5.10654
1	172	-5.09593
2	172	-5.08727
3	172	-5.07967
4	172	-5.06967
5	172	-5.05573
6	172	-5.04002
7	172	-5.02266
8	172	-5.00237
9	172	-4.97444
10	172	-4.94452
11	172	-4.91904
12	172	-4.89639
13	172	-4.86963
14	172	-4.83561
15	172	-4.79765
16	172	-4.75852
17	172	-4.72008
18	172	-4.68185
19	172	-4.64116
20	172	-4.59943
21	172	-4.55725
22	172	-4.51345
23	172	-4.46924
24	172	-4.41659
25	172	-4.37751
26	172	-4.33256
27	172	-4.29303
28	172	-4.25618
29	172	-4.23876
30	172	-4.21719
31	172	-4.20216
32	172	-4.19232
33	172	-4.18608
34	172	-4.1825
35	172	-4.18349
36	172	-4.19021
37	172	-4.20314
38	172	-4.2203
39	172	-4.2481
40	172	-4.28194
41	172	-4.30802
42	172	-4.33397
43	172	-4.37556
44	172	-4.42386
45	172	-4.48184
46	172	-4.54322

47	172	-4.60665
48	172	-4.67817
49	172	-4.75679
50	172	-4.84614
51	172	-4.94954
52	172	-5.06089
53	172	-5.17278
54	172	-5.2959
55	172	-5.43378
56	172	-5.59098
57	172	-5.76747
58	172	-5.9485
59	172	-6.15744
60	172	-6.37143
61	172	-6.59341
62	172	-6.82967
63	172	-7.09206
64	172	-7.36831
65	172	-7.66259
66	172	-7.98175
67	172	-8.32999
68	172	-8.70398
69	172	-9.10618
70	172	-9.55893
71	172	-10.0373
72	172	-10.5771
73	172	-11.1085
74	172	-11.7221
75	172	-12.3952
76	172	-13.1053
77	172	-13.9037
78	172	-14.7861
79	172	-15.7759
80	172	-16.9255
81	172	-18.2162
82	172	-19.7348
83	172	-21.5374
84	172	-23.672
85	172	-26.03
86	172	-27.9061
87	172	-27.6107
88	172	-25.5745
89	172	-23.3449
90	172	-21.3101
91	172	-19.9326
92	172	-18.1044
93	172	-16.7864
94	172	-15.661
95	172	-14.6065
96	172	-13.6944
97	172	-13.0092
98	172	-12.3497
99	172	-11.7114
100	172	-11.1196
101	172	-10.5829
102	172	-10.0846
103	172	-9.64031
104	172	-9.22701
105	172	-8.82261
106	172	-8.44634
107	172	-8.09779
108	172	-7.77583
109	172	-7.46498
110	172	-7.17475
111	172	-6.92333
112	172	-6.67868
113	172	-6.44753
114	172	-6.24548
115	172	-6.06194
116	172	-5.88848
117	172	-5.73773
118	172	-5.14625
119	172	-5.04373
120	172	-4.95544
121	172	-4.87944
122	172	-4.82417
123	172	-4.78075
124	172	-4.74598
125	172	-4.71469
126	172	-4.67914
127	172	-4.64658
128	172	-4.61858
129	172	-4.59203
130	172	-4.58012
131	172	-4.5659
132	172	-4.5609
133	172	-4.55941
134	172	-4.56208
135	172	-4.56468
136	172	-4.56644
137	172	-4.56349
138	172	-4.55023
139	172	-4.54912
140	172	-4.57953
141	172	-4.62808

142	172	-4.68006
143	172	-4.72009
144	172	-4.74609
145	172	-4.7678
146	172	-4.7826
147	172	-4.81173
148	172	-4.86021
149	172	-4.91519
150	172	-4.96992
151	172	-5.01532
152	172	-5.0565
153	172	-5.08873
154	172	-5.1137
155	172	-5.14311
156	172	-5.17787
157	172	-5.21451
158	172	-5.24935
159	172	-5.28484
160	172	-5.31806
161	172	-5.34658
162	172	-5.36569
163	172	-5.38265
164	172	-5.39408
165	172	-5.40507
166	172	-5.38384
167	172	-5.38914
168	172	-5.39439
169	172	-5.4023
170	172	-5.40872
171	172	-5.41339
172	172	-5.41523
173	172	-5.41606
174	172	-5.41301
175	172	-5.4014
176	172	-5.39591
177	172	-5.38321
178	172	-5.368
179	172	-5.34807
180	172	-5.32614
-180	173	-4.44108
-179	173	-4.42603
-178	173	-4.40894
-177	173	-4.39177
-176	173	-4.37622
-175	173	-4.36064
-174	173	-4.34413
-173	173	-4.32675
-172	173	-4.3086
-171	173	-4.28701
-170	173	-4.26331
-169	173	-4.23906
-168	173	-4.21435
-167	173	-4.18782
-166	173	-4.15978
-165	173	-4.13132
-164	173	-4.10376
-163	173	-4.07677
-162	173	-4.04853
-161	173	-4.022
-160	173	-4.00286
-159	173	-3.98071
-158	173	-3.95957
-157	173	-3.94167
-156	173	-3.91364
-155	173	-3.88142
-154	173	-3.85381
-153	173	-3.87964
-152	173	-3.89241
-151	173	-3.91667
-150	173	-3.91309
-149	173	-3.89545
-148	173	-3.88136
-147	173	-3.86898
-146	173	-3.87295
-145	173	-3.89144
-144	173	-3.9145
-143	173	-3.93767
-142	173	-3.96328
-141	173	-4.00192
-140	173	-4.0487
-139	173	-4.09803
-138	173	-4.15439
-137	173	-4.2145
-136	173	-4.2823
-135	173	-4.35673
-134	173	-4.43087
-133	173	-4.51041
-132	173	-4.59832
-131	173	-4.69171
-130	173	-4.79338
-129	173	-4.9097
-128	173	-5.05276
-127	173	-5.20946
-126	173	-5.30923
-125	173	-5.4684

-124	173	-5.63015
-123	173	-5.80725
-122	173	-5.99832
-121	173	-6.19827
-120	173	-6.42309
-119	173	-6.66045
-118	173	-6.92627
-117	173	-7.73522
-116	173	-8.02983
-115	173	-8.35174
-114	173	-8.69205
-113	173	-9.05887
-112	173	-9.45871
-111	173	-9.88206
-110	173	-10.3262
-109	173	-10.8108
-108	173	-11.3304
-107	173	-11.8749
-106	173	-12.4745
-105	173	-13.1282
-104	173	-13.8085
-103	173	-14.5773
-102	173	-15.4512
-101	173	-16.4785
-100	173	-17.708
-99	173	-19.1434
-98	173	-20.7867
-97	173	-22.7361
-96	173	-25.1783
-95	173	-28.3765
-94	173	-32.773
-93	173	-34.8653
-92	173	-30.1731
-91	173	-26.3416
-90	173	-23.5414
-89	173	-21.3993
-88	173	-19.6496
-87	173	-18.2142
-86	173	-16.9369
-85	173	-15.8506
-84	173	-14.8653
-83	173	-14.0167
-82	173	-13.2611
-81	173	-12.5778
-80	173	-11.9338
-79	173	-11.3393
-78	173	-10.8024
-77	173	-10.3101
-76	173	-9.86478
-75	173	-9.44241
-74	173	-9.0665
-73	173	-8.71831
-72	173	-8.39782
-71	173	-8.10274
-70	173	-7.82818
-69	173	-7.57139
-68	173	-7.31673
-67	173	-7.08823
-66	173	-6.86895
-65	173	-6.66983
-64	173	-6.48552
-63	173	-6.3113
-62	173	-6.15595
-61	173	-6.03069
-60	173	-5.88643
-59	173	-5.74171
-58	173	-5.63658
-57	173	-5.54482
-56	173	-5.45614
-55	173	-5.36809
-54	173	-5.27571
-53	173	-5.17189
-52	173	-5.05556
-51	173	-4.94524
-50	173	-4.8644
-49	173	-4.80581
-48	173	-4.73057
-47	173	-4.68226
-46	173	-4.6252
-45	173	-4.59532
-44	173	-4.52898
-43	173	-4.49818
-42	173	-4.46973
-41	173	-4.4374
-40	173	-4.41278
-39	173	-4.39042
-38	173	-4.36626
-37	173	-4.34053
-36	173	-4.32731
-35	173	-4.31895
-34	173	-4.30667
-33	173	-4.3042
-32	173	-4.25302
-31	173	-4.28223
-30	173	-4.29502

-29	173	-4.30117
-28	173	-4.30246
-27	173	-4.30927
-26	173	-4.33697
-25	173	-4.35222
-24	173	-4.36993
-23	173	-4.3886
-22	173	-4.40496
-21	173	-4.41534
-20	173	-4.42527
-19	173	-4.43379
-18	173	-4.43943
-17	173	-4.43847
-16	173	-4.43599
-15	173	-4.43182
-14	173	-4.42732
-13	173	-4.42199
-12	173	-4.41168
-11	173	-4.40435
-10	173	-4.4013
-9	173	-4.40153
-8	173	-4.40459
-7	173	-4.40689
-6	173	-4.40892
-5	173	-4.41179
-4	173	-4.40649
-3	173	-4.40232
-2	173	-4.39773
-1	173	-4.39047
0	173	-4.38176
1	173	-4.37069
2	173	-4.35815
3	173	-4.34908
4	173	-4.3455
5	173	-4.34232
6	173	-4.33564
7	173	-4.32793
8	173	-4.31967
9	173	-4.30998
10	173	-4.30063
11	173	-4.2918
12	173	-4.28363
13	173	-4.27523
14	173	-4.26588
15	173	-4.2555
16	173	-4.24466
17	173	-4.23362
18	173	-4.22305
19	173	-4.21129
20	173	-4.19865
21	173	-4.08524
22	173	-4.1853
23	173	-4.18192
24	173	-4.18003
25	173	-4.18106
26	173	-4.18356
27	173	-4.1884
28	173	-4.19146
29	173	-4.20296
30	173	-4.21527
31	173	-4.22371
32	173	-4.24687
33	173	-4.26981
34	173	-4.29487
35	173	-4.3248
36	173	-4.36013
37	173	-4.39986
38	173	-4.44468
39	173	-4.50003
40	173	-4.56174
41	173	-4.62019
42	173	-4.68371
43	173	-4.75181
44	173	-4.82464
45	173	-4.9105
46	173	-4.99556
47	173	-5.08098
48	173	-5.1822
49	173	-5.29358
50	173	-5.41045
51	173	-5.53916
52	173	-5.68599
53	173	-5.83764
54	173	-5.99264
55	173	-6.14829
56	173	-6.33116
57	173	-6.52005
58	173	-6.73295
59	173	-6.94508
60	173	-7.17593
61	173	-7.41756
62	173	-7.67733
63	173	-7.96354
64	173	-8.2584
65	173	-8.57008

66	173	-8.90765
67	173	-9.26783
68	173	-9.66162
69	173	-10.0862
70	173	-10.513
71	173	-10.9986
72	173	-11.5167
73	173	-12.086
74	173	-12.7075
75	173	-13.4054
76	173	-14.1386
77	173	-14.9682
78	173	-15.8881
79	173	-16.9272
80	173	-18.1524
81	173	-19.5237
82	173	-21.1274
83	173	-22.9884
84	173	-25.1524
85	173	-27.4506
86	173	-29.0024
87	173	-28.3304
88	173	-26.2891
89	173	-23.9483
90	173	-21.9969
91	173	-20.3061
92	173	-18.876
93	173	-17.5858
94	173	-16.512
95	173	-15.5641
96	173	-14.7195
97	173	-13.945
98	173	-13.2323
99	173	-12.5718
100	173	-11.9468
101	173	-11.3676
102	173	-10.8699
103	173	-10.4517
104	173	-10.0446
105	173	-9.6236
106	173	-9.23866
107	173	-8.88451
108	173	-8.58345
109	173	-8.27884
110	173	-8.00902
111	173	-7.74779
112	173	-7.50125
113	173	-7.26304
114	173	-7.06099
115	173	-6.87257
116	173	-6.68977
117	173	-6.52345
118	173	-6.36352
119	173	-6.21372
120	173	-6.07733
121	173	-5.95076
122	173	-5.36305
123	173	-5.26607
124	173	-5.18235
125	173	-5.10879
126	173	-5.03769
127	173	-4.97534
128	173	-4.91654
129	173	-4.85789
130	173	-4.80293
131	173	-4.75371
132	173	-4.70785
133	173	-4.6625
134	173	-4.62345
135	173	-4.58473
136	173	-4.55044
137	173	-4.51836
138	173	-4.47604
139	173	-4.4401
140	173	-4.39829
141	173	-4.38581
142	173	-4.38807
143	173	-4.39474
144	173	-4.39858
145	173	-4.40065
146	173	-4.40174
147	173	-4.40594
148	173	-4.41039
149	173	-4.40405
150	173	-4.39098
151	173	-4.37907
152	173	-4.37785
153	173	-4.38858
154	173	-4.41038
155	173	-4.43078
156	173	-4.44788
157	173	-4.45916
158	173	-4.46711
159	173	-4.47295
160	173	-4.47902

161	173	-4.4798
162	173	-4.48183
163	173	-4.48668
164	173	-4.49186
165	173	-4.49688
166	173	-4.50012
167	173	-4.50153
168	173	-4.50077
169	173	-4.50081
170	173	-4.49974
171	173	-4.49737
172	173	-4.49618
173	173	-4.49488
174	173	-4.49335
175	173	-4.49304
176	173	-4.48479
177	173	-4.47747
178	173	-4.46409
179	173	-4.44564
180	173	-4.44108
-180	174	-4.11314
-179	174	-4.10391
-178	174	-4.09427
-177	174	-4.08529
-176	174	-4.07621
-175	174	-4.06519
-174	174	-4.05209
-173	174	-4.03927
-172	174	-4.0275
-171	174	-4.01704
-170	174	-4.01412
-169	174	-4.01896
-168	174	-4.00325
-167	174	-3.98317
-166	174	-3.9732
-165	174	-3.9667
-164	174	-3.958
-163	174	-3.94837
-162	174	-3.94557
-161	174	-3.95105
-160	174	-3.95544
-159	174	-3.95955
-158	174	-3.96477
-157	174	-3.97305
-156	174	-3.9836
-155	174	-3.99617
-154	174	-4.01057
-153	174	-4.03033
-152	174	-4.05025
-151	174	-4.07777
-150	174	-4.10144
-149	174	-4.12799
-148	174	-4.16024
-147	174	-4.19542
-146	174	-4.23365
-145	174	-4.27804
-144	174	-4.32729
-143	174	-4.3875
-142	174	-4.43052
-141	174	-4.50176
-140	174	-4.59183
-139	174	-4.66517
-138	174	-4.74481
-137	174	-4.83567
-136	174	-4.89935
-135	174	-5.05337
-134	174	-5.17376
-133	174	-5.2902
-132	174	-5.40176
-131	174	-5.52002
-130	174	-5.6441
-129	174	-5.786
-128	174	-5.94019
-127	174	-6.09412
-126	174	-6.25412
-125	174	-6.42201
-124	174	-6.59794
-123	174	-7.26439
-122	174	-7.49384
-121	174	-7.73253
-120	174	-7.9806
-119	174	-8.2672
-118	174	-8.6209
-117	174	-8.87129
-116	174	-9.14239
-115	174	-9.46748
-114	174	-9.80307
-113	174	-10.1567
-112	174	-10.5413
-111	174	-10.9419
-110	174	-11.3752
-109	174	-11.8623
-108	174	-12.4048
-107	174	-13.017
-106	174	-13.6642

-105	174	-14.3857
-104	174	-15.1282
-103	174	-15.9375
-102	174	-16.8283
-101	174	-17.8268
-100	174	-18.9752
-99	174	-20.3188
-98	174	-21.8747
-97	174	-23.701
-96	174	-26.1142
-95	174	-29.0059
-94	174	-32.2624
-93	174	-33.1385
-92	174	-29.9701
-91	174	-26.9222
-90	174	-24.4222
-89	174	-22.4002
-88	174	-20.7442
-87	174	-19.2108
-86	174	-18.0624
-85	174	-17.0249
-84	174	-16.0919
-83	174	-15.2971
-82	174	-14.596
-81	174	-13.9254
-80	174	-13.2855
-79	174	-12.6968
-78	174	-12.1677
-77	174	-11.7102
-76	174	-11.2281
-75	174	-10.7934
-74	174	-10.3993
-73	174	-10.0296
-72	174	-9.679
-71	174	-9.34759
-70	174	-9.02796
-69	174	-8.73184
-68	174	-8.46658
-67	174	-8.24078
-66	174	-8.002
-65	174	-7.77877
-64	174	-7.5668
-63	174	-7.3592
-62	174	-7.15972
-61	174	-6.9976
-60	174	-6.85416
-59	174	-6.69491
-58	174	-6.55242
-57	174	-6.41738
-56	174	-6.30213
-55	174	-6.16999
-54	174	-6.02555
-53	174	-5.88774
-52	174	-5.7657
-51	174	-5.65008
-50	174	-5.55278
-49	174	-5.46607
-48	174	-5.37722
-47	174	-5.28345
-46	174	-5.19736
-45	174	-5.12319
-44	174	-5.05011
-43	174	-4.96827
-42	174	-4.89092
-41	174	-4.79858
-40	174	-4.77819
-39	174	-4.73676
-38	174	-4.68359
-37	174	-4.63917
-36	174	-4.59901
-35	174	-4.56237
-34	174	-4.52831
-33	174	-4.49744
-32	174	-4.47031
-31	174	-4.44547
-30	174	-4.42409
-29	174	-4.40153
-28	174	-4.38641
-27	174	-4.37159
-26	174	-4.35675
-25	174	-4.34081
-24	174	-4.32795
-23	174	-4.3157
-22	174	-4.31059
-21	174	-4.308
-20	174	-4.30256
-19	174	-4.29783
-18	174	-4.29578
-17	174	-4.29392
-16	174	-4.29455
-15	174	-4.29386
-14	174	-4.29091
-13	174	-4.28906
-12	174	-4.28525
-11	174	-4.28319

-10	174	-4.28366
-9	174	-4.28243
-8	174	-4.28023
-7	174	-4.27888
-6	174	-4.27449
-5	174	-4.26763
-4	174	-4.25723
-3	174	-4.24715
-2	174	-4.23633
-1	174	-4.22653
0	174	-4.21998
1	174	-4.21574
2	174	-4.21261
3	174	-4.21193
4	174	-4.21344
5	174	-4.21489
6	174	-4.21475
7	174	-4.21389
8	174	-4.21433
9	174	-4.21682
10	174	-4.22039
11	174	-4.22426
12	174	-4.22933
13	174	-4.23564
14	174	-4.243
15	174	-4.2514
16	174	-4.26056
17	174	-4.26885
18	174	-4.24517
19	174	-4.29492
20	174	-4.30957
21	174	-4.32805
22	174	-4.34698
23	174	-4.36795
24	174	-4.39179
25	174	-4.4175
26	174	-4.44544
27	174	-4.47855
28	174	-4.50758
29	174	-4.5397
30	174	-4.57254
31	174	-4.6073
32	174	-4.64536
33	174	-4.68636
34	174	-4.73133
35	174	-4.78056
36	174	-4.83078
37	174	-4.89807
38	174	-4.96382
39	174	-5.04265
40	174	-5.1293
41	174	-5.21433
42	174	-5.30502
43	174	-5.40182
44	174	-5.50383
45	174	-5.6177
46	174	-5.73701
47	174	-5.86267
48	174	-5.99066
49	174	-6.12461
50	174	-6.24351
51	174	-6.38944
52	174	-6.55319
53	174	-6.70879
54	174	-6.873
55	174	-7.05724
56	174	-7.25525
57	174	-7.47063
58	174	-7.7123
59	174	-7.94982
60	174	-8.1998
61	174	-8.46171
62	174	-8.75514
63	174	-9.06993
64	174	-9.38194
65	174	-9.71451
66	174	-10.0821
67	174	-10.4617
68	174	-10.8654
69	174	-11.3171
70	174	-11.7869
71	174	-12.292
72	174	-12.8395
73	174	-13.4347
74	174	-14.0796
75	174	-14.804
76	174	-15.5683
77	174	-16.4252
78	174	-17.3733
79	174	-18.4435
80	174	-19.6817
81	174	-21.0698
82	174	-22.6991
83	174	-24.5625
84	174	-26.8254

85	174	-29.2005
86	174	-30.7668
87	174	-29.9455
88	174	-27.7575
89	174	-25.4068
90	174	-23.3519
91	174	-21.7318
92	174	-20.2969
93	174	-18.9471
94	174	-17.8524
95	174	-16.8888
96	174	-16.0213
97	174	-15.2435
98	174	-14.5287
99	174	-13.8695
100	174	-13.25
101	174	-12.7012
102	174	-12.1995
103	174	-11.7249
104	174	-11.287
105	174	-10.8766
106	174	-10.4962
107	174	-10.1231
108	174	-9.76397
109	174	-9.44227
110	174	-9.13644
111	174	-8.87484
112	174	-8.62754
113	174	-8.3805
114	174	-8.14261
115	174	-7.90998
116	174	-7.69679
117	174	-7.49969
118	174	-7.31842
119	174	-7.14729
120	174	-6.98597
121	174	-6.83352
122	174	-6.68897
123	174	-6.5443
124	174	-6.41202
125	174	-6.28638
126	174	-6.16703
127	174	-6.05357
128	174	-5.4511
129	174	-5.36027
130	174	-5.27389
131	174	-5.19665
132	174	-5.12488
133	174	-5.0558
134	174	-4.9919
135	174	-4.92608
136	174	-4.8656
137	174	-4.80971
138	174	-4.74951
139	174	-4.68081
140	174	-4.61473
141	174	-4.55445
142	174	-4.51222
143	174	-4.4886
144	174	-4.47693
145	174	-4.46067
146	174	-4.43797
147	174	-4.41112
148	174	-4.38626
149	174	-4.36555
150	174	-4.35066
151	174	-4.33749
152	174	-4.32476
153	174	-4.31369
154	174	-4.29944
155	174	-4.28123
156	174	-4.26492
157	174	-4.24374
158	174	-4.21169
159	174	-4.19089
160	174	-4.18312
161	174	-4.17725
162	174	-4.17373
163	174	-4.17581
164	174	-4.17866
165	174	-4.18116
166	174	-4.18178
167	174	-4.18224
168	174	-4.18325
169	174	-4.1829
170	174	-4.18113
171	174	-4.17838
172	174	-4.17495
173	174	-4.168
174	174	-4.15303
175	174	-4.15475
176	174	-4.14768
177	174	-4.14021
178	174	-4.13187
179	174	-4.12255

180	174	-4.11314
-180	175	-4.3058
-179	175	-4.30405
-178	175	-4.30145
-177	175	-4.29654
-176	175	-4.29065
-175	175	-4.28676
-174	175	-4.28676
-173	175	-4.28965
-172	175	-4.29239
-171	175	-4.29291
-170	175	-4.29257
-169	175	-4.29301
-168	175	-4.29506
-167	175	-4.29888
-166	175	-4.30455
-165	175	-4.31144
-164	175	-4.31967
-163	175	-4.32967
-162	175	-4.34236
-161	175	-4.35828
-160	175	-4.37724
-159	175	-4.40014
-158	175	-4.42498
-157	175	-4.45303
-156	175	-4.48486
-155	175	-4.51582
-154	175	-4.55547
-153	175	-4.59737
-152	175	-4.64318
-151	175	-4.69321
-150	175	-4.7479
-149	175	-4.80693
-148	175	-4.87327
-147	175	-4.94519
-146	175	-5.01803
-145	175	-5.09579
-144	175	-5.17645
-143	175	-5.26049
-142	175	-5.35167
-141	175	-5.4586
-140	175	-5.56614
-139	175	-5.6654
-138	175	-5.77028
-137	175	-5.88177
-136	175	-5.99885
-135	175	-6.12931
-134	175	-6.26264
-133	175	-6.36299
-132	175	-6.51497
-131	175	-7.07826
-130	175	-7.22911
-129	175	-7.39496
-128	175	-7.56876
-127	175	-7.74002
-126	175	-7.91634
-125	175	-8.11124
-124	175	-8.30909
-123	175	-8.52959
-122	175	-8.76801
-121	175	-9.01244
-120	175	-9.27428
-119	175	-9.5518
-118	175	-9.85578
-117	175	-10.1854
-116	175	-10.5173
-115	175	-10.8731
-114	175	-11.2352
-113	175	-11.6118
-112	175	-12.0236
-111	175	-12.4501
-110	175	-12.9219
-109	175	-13.4121
-108	175	-13.9365
-107	175	-14.4957
-106	175	-15.1009
-105	175	-15.7839
-104	175	-16.496
-103	175	-17.2926
-102	175	-18.2193
-101	175	-19.3457
-100	175	-20.5304
-99	175	-21.9027
-98	175	-23.232
-97	175	-24.7526
-96	175	-26.611
-95	175	-28.7223
-94	175	-30.6357
-93	175	-31.0073
-92	175	-29.1472
-91	175	-27.0438
-90	175	-25.0673
-89	175	-23.5597
-88	175	-22.1518
-87	175	-20.7783

-86	175	-19.6781
-85	175	-18.6434
-84	175	-17.728
-83	175	-16.9062
-82	175	-16.164
-81	175	-15.4895
-80	175	-14.8459
-79	175	-14.2463
-78	175	-13.712
-77	175	-13.2298
-76	175	-12.8021
-75	175	-12.3612
-74	175	-11.9401
-73	175	-11.5518
-72	175	-11.1822
-71	175	-10.8381
-70	175	-10.5164
-69	175	-10.2139
-68	175	-9.91735
-67	175	-9.63785
-66	175	-9.37904
-65	175	-9.13286
-64	175	-8.91394
-63	175	-8.67598
-62	175	-8.42489
-61	175	-8.1995
-60	175	-8.02093
-59	175	-7.87717
-58	175	-7.73983
-57	175	-7.58187
-56	175	-7.41334
-55	175	-7.24303
-54	175	-7.07945
-53	175	-6.92965
-52	175	-6.79514
-51	175	-6.65869
-50	175	-6.53802
-49	175	-6.42893
-48	175	-6.32177
-47	175	-6.21634
-46	175	-6.11826
-45	175	-6.02161
-44	175	-5.92714
-43	175	-5.84458
-42	175	-5.76444
-41	175	-5.69053
-40	175	-5.61916
-39	175	-5.54161
-38	175	-5.47725
-37	175	-5.41945
-36	175	-5.35163
-35	175	-5.28394
-34	175	-5.23892
-33	175	-5.20033
-32	175	-5.15368
-31	175	-5.10538
-30	175	-5.0625
-29	175	-5.0222
-28	175	-4.98421
-27	175	-4.9504
-26	175	-4.91712
-25	175	-4.88548
-24	175	-4.85642
-23	175	-4.82754
-22	175	-4.80273
-21	175	-4.78363
-20	175	-4.76234
-19	175	-4.74513
-18	175	-4.72903
-17	175	-4.71817
-16	175	-4.70537
-15	175	-4.69853
-14	175	-4.69517
-13	175	-4.69431
-12	175	-4.69381
-11	175	-4.69488
-10	175	-4.69575
-9	175	-4.69686
-8	175	-4.70029
-7	175	-4.70569
-6	175	-4.70787
-5	175	-4.7079
-4	175	-4.71432
-3	175	-4.7163
-2	175	-4.7179
-1	175	-4.71922
0	175	-4.72114
1	175	-4.72414
2	175	-4.72662
3	175	-4.72767
4	175	-4.72826
5	175	-4.72938
6	175	-4.73162
7	175	-4.73584
8	175	-4.74189

9	175	-4.74851
10	175	-5.32781
11	175	-4.76764
12	175	-4.78051
13	175	-4.79567
14	175	-4.81157
15	175	-4.83714
16	175	-4.85172
17	175	-4.87584
18	175	-4.90186
19	175	-4.92994
20	175	-4.95982
21	175	-4.99319
22	175	-5.02735
23	175	-5.06387
24	175	-5.10298
25	175	-5.1398
26	175	-5.18438
27	175	-5.23007
28	175	-5.2782
29	175	-5.32827
30	175	-5.38092
31	175	-5.43654
32	175	-5.50005
33	175	-5.56646
34	175	-5.63284
35	175	-5.70187
36	175	-5.77568
37	175	-5.85288
38	175	-5.93175
39	175	-6.03189
40	175	-6.13886
41	175	-6.24724
42	175	-6.3599
43	175	-6.46736
44	175	-6.57521
45	175	-6.70572
46	175	-6.8531
47	175	-6.99616
48	175	-7.14562
49	175	-7.29824
50	175	-7.46676
51	175	-7.64849
52	175	-7.83907
53	175	-8.03254
54	175	-8.22817
55	175	-8.44079
56	175	-8.65506
57	175	-8.87345
58	175	-9.13421
59	175	-9.3871
60	175	-9.64929
61	175	-9.92677
62	175	-10.2301
63	175	-10.5541
64	175	-10.8834
65	175	-11.2402
66	175	-11.6099
67	175	-12.0019
68	175	-12.4321
69	175	-12.9007
70	175	-13.3862
71	175	-13.9112
72	175	-14.4682
73	175	-15.0629
74	175	-15.701
75	175	-16.4157
76	175	-17.1406
77	175	-17.9517
78	175	-18.8511
79	175	-19.8664
80	175	-20.98
81	175	-22.2886
82	175	-23.7829
83	175	-25.4861
84	175	-27.5132
85	175	-29.8071
86	175	-31.6944
87	175	-31.5468
88	175	-29.6766
89	175	-27.3369
90	175	-25.3072
91	175	-23.638
92	175	-22.1192
93	175	-20.7376
94	175	-19.5828
95	175	-18.6209
96	175	-17.6969
97	175	-16.8931
98	175	-16.1269
99	175	-15.4746
100	175	-14.8478
101	175	-14.2497
102	175	-13.7231
103	175	-13.2434

104	175	-12.7887
105	175	-12.3502
106	175	-11.9313
107	175	-11.5553
108	175	-11.2162
109	175	-10.8796
110	175	-10.5631
111	175	-10.2647
112	175	-9.9651
113	175	-9.69234
114	175	-9.44391
115	175	-9.20691
116	175	-8.9718
117	175	-8.74499
118	175	-8.52239
119	175	-8.32122
120	175	-8.12642
121	175	-7.93757
122	175	-7.76148
123	175	-7.58735
124	175	-7.422
125	175	-7.27345
126	175	-7.1313
127	175	-7.00772
128	175	-6.89335
129	175	-6.76525
130	175	-6.64304
131	175	-6.52712
132	175	-6.41422
133	175	-6.30453
134	175	-6.2014
135	175	-6.1009
136	175	-5.48398
137	175	-5.41721
138	175	-5.34886
139	175	-5.27957
140	175	-5.20625
141	175	-5.12777
142	175	-5.05401
143	175	-5.00292
144	175	-4.96219
145	175	-4.93165
146	175	-4.90995
147	175	-4.88538
148	175	-4.85682
149	175	-4.82452
150	175	-4.78874
151	175	-4.75373
152	175	-4.71938
153	175	-4.68472
154	175	-4.65332
155	175	-4.62313
156	175	-4.59617
157	175	-4.57229
158	175	-4.55005
159	175	-4.5292
160	175	-4.51527
161	175	-4.50179
162	175	-4.48636
163	175	-4.47254
164	175	-4.45901
165	175	-4.44485
166	175	-4.42839
167	175	-4.40409
168	175	-4.38307
169	175	-4.37328
170	175	-4.36041
171	175	-4.34812
172	175	-4.33885
173	175	-4.3343
174	175	-4.32955
175	175	-4.32181
176	175	-4.32023
177	175	-4.31538
178	175	-4.31186
179	175	-4.30858
180	175	-4.3058
-180	176	-5.09907
-179	176	-5.0986
-178	176	-5.09877
-177	176	-5.09959
-176	176	-5.10189
-175	176	-5.10602
-174	176	-5.11193
-173	176	-5.11971
-172	176	-5.12866
-171	176	-5.13859
-170	176	-5.15035
-169	176	-5.16371
-168	176	-5.17859
-167	176	-5.19522
-166	176	-5.21365
-165	176	-5.23366
-164	176	-5.255
-163	176	-5.2783

-162	176	-5.30425
-161	176	-5.33295
-160	176	-5.36357
-159	176	-5.39598
-158	176	-5.43072
-157	176	-5.46394
-156	176	-5.49933
-155	176	-5.53671
-154	176	-5.57619
-153	176	-5.61726
-152	176	-5.6593
-151	176	-5.70132
-150	176	-5.7494
-149	176	-5.92543
-148	176	-6.16612
-147	176	-6.7979
-146	176	-6.88118
-145	176	-6.96858
-144	176	-7.06077
-143	176	-7.15782
-142	176	-7.2588
-141	176	-7.37464
-140	176	-7.4961
-139	176	-7.61085
-138	176	-7.73004
-137	176	-7.86117
-136	176	-7.99739
-135	176	-8.14288
-134	176	-8.29416
-133	176	-8.44081
-132	176	-8.59527
-131	176	-8.74735
-130	176	-8.91657
-129	176	-9.01052
-128	176	-9.29637
-127	176	-9.47386
-126	176	-9.66706
-125	176	-9.87615
-124	176	-10.088
-123	176	-10.3224
-122	176	-10.5723
-121	176	-10.8241
-120	176	-11.094
-119	176	-11.3758
-118	176	-11.6831
-117	176	-12.0153
-116	176	-12.3451
-115	176	-12.7047
-114	176	-13.0699
-113	176	-13.4651
-112	176	-13.8643
-111	176	-14.3127
-110	176	-14.7874
-109	176	-15.2877
-108	176	-15.8136
-107	176	-16.3707
-106	176	-16.9654
-105	176	-17.6405
-104	176	-18.3588
-103	176	-19.1449
-102	176	-19.9823
-101	176	-20.9129
-100	176	-21.9077
-99	176	-23.1479
-98	176	-24.4688
-97	176	-25.9628
-96	176	-27.7019
-95	176	-29.3568
-94	176	-31.0479
-93	176	-31.7672
-92	176	-30.653
-91	176	-29.052
-90	176	-27.2567
-89	176	-25.5952
-88	176	-24.124
-87	176	-22.6451
-86	176	-21.553
-85	176	-20.5423
-84	176	-19.6229
-83	176	-18.834
-82	176	-18.0978
-81	176	-17.4255
-80	176	-16.7787
-79	176	-16.1647
-78	176	-15.6277
-77	176	-15.1253
-76	176	-14.6622
-75	176	-14.1978
-74	176	-13.7795
-73	176	-13.3736
-72	176	-13.014
-71	176	-12.6487
-70	176	-12.3133
-69	176	-11.99
-68	176	-11.673

-67	176	-11.3915
-66	176	-11.1393
-65	176	-10.8992
-64	176	-10.6582
-63	176	-10.4195
-62	176	-10.1812
-61	176	-9.95626
-60	176	-9.74428
-59	176	-9.54729
-58	176	-9.34801
-57	176	-9.12808
-56	176	-8.92484
-55	176	-8.72864
-54	176	-8.54437
-53	176	-8.38041
-52	176	-8.23419
-51	176	-8.09226
-50	176	-7.95044
-49	176	-7.82529
-48	176	-7.69734
-47	176	-7.58955
-46	176	-7.46838
-45	176	-7.36704
-44	176	-7.25857
-43	176	-7.16122
-42	176	-7.07002
-41	176	-6.98381
-40	176	-6.90018
-39	176	-6.81628
-38	176	-6.74815
-37	176	-6.67022
-36	176	-6.59461
-35	176	-6.52609
-34	176	-6.46311
-33	176	-6.40289
-32	176	-6.34495
-31	176	-6.28931
-30	176	-6.23597
-29	176	-6.1846
-28	176	-6.13546
-27	176	-6.08792
-26	176	-6.04551
-25	176	-6.00748
-24	176	-5.97108
-23	176	-5.93338
-22	176	-5.89542
-21	176	-5.8576
-20	176	-5.82337
-19	176	-5.79761
-18	176	-5.78188
-17	176	-5.76855
-16	176	-5.75487
-15	176	-5.73725
-14	176	-5.72043
-13	176	-5.70569
-12	176	-5.69354
-11	176	-5.68903
-10	176	-5.68174
-9	176	-5.67225
-8	176	-5.66712
-7	176	-5.66214
-6	176	-5.65787
-5	176	-5.6582
-4	176	-5.64714
-3	176	-5.64855
-2	176	-5.6624
-1	176	-5.64973
0	176	-5.65442
1	176	-5.66267
2	176	-5.67252
3	176	-5.68288
4	176	-5.69472
5	176	-5.70839
6	176	-5.72402
7	176	-5.74262
8	176	-5.76379
9	176	-5.78673
10	176	-5.81253
11	176	-5.77056
12	176	-5.86786
13	176	-5.89875
14	176	-5.9298
15	176	-5.9661
16	176	-6.00326
17	176	-6.0426
18	176	-6.08392
19	176	-6.12739
20	176	-6.17261
21	176	-6.22059
22	176	-6.27114
23	176	-6.3198
24	176	-6.37069
25	176	-6.42317
26	176	-6.47978
27	176	-6.54142

28	176	-6.6074
29	176	-6.67845
30	176	-6.75551
31	176	-6.83574
32	176	-6.91202
33	176	-6.98198
34	176	-7.0544
35	176	-7.14002
36	176	-7.23794
37	176	-7.339
38	176	-7.43881
39	176	-7.55249
40	176	-7.67485
41	176	-7.7921
42	176	-7.91278
43	176	-8.04687
44	176	-8.18912
45	176	-8.34253
46	176	-8.49868
47	176	-8.64827
48	176	-8.80802
49	176	-8.96514
50	176	-9.1397
51	176	-9.33144
52	176	-9.53598
53	176	-9.71964
54	176	-9.9217
55	176	-10.136
56	176	-10.3509
57	176	-10.5796
58	176	-10.8356
59	176	-11.1007
60	176	-11.3716
61	176	-11.6533
62	176	-11.9588
63	176	-12.2895
64	176	-12.6213
65	176	-12.9852
66	176	-13.3574
67	176	-13.7448
68	176	-14.3277
69	176	-14.635
70	176	-15.1133
71	176	-15.6259
72	176	-16.1817
73	176	-16.7736
74	176	-17.4047
75	176	-18.1302
76	176	-18.8253
77	176	-19.6191
78	176	-20.4696
79	176	-21.4075
80	176	-22.4833
81	176	-23.6935
82	176	-25.0298
83	176	-26.5174
84	176	-28.1401
85	176	-29.8566
86	176	-30.6301
87	176	-30.3865
88	176	-29.415
89	176	-27.7699
90	176	-26.0865
91	176	-24.6442
92	176	-23.3706
93	176	-22.1235
94	176	-21.0167
95	176	-20.1218
96	176	-19.2444
97	176	-18.4858
98	176	-17.7723
99	176	-17.1239
100	176	-16.5
101	176	-15.9276
102	176	-15.4195
103	176	-14.9332
104	176	-14.47
105	176	-14.0199
106	176	-13.6241
107	176	-13.2517
108	176	-12.8931
109	176	-12.5574
110	176	-12.2297
111	176	-11.9086
112	176	-11.597
113	176	-11.3149
114	176	-11.0494
115	176	-10.7925
116	176	-10.5384
117	176	-10.2992
118	176	-10.0647
119	176	-9.84685
120	176	-9.64438
121	176	-9.44513
122	176	-9.25091

123	176	-9.04963
124	176	-8.88089
125	176	-8.71937
126	176	-8.55807
127	176	-8.40648
128	176	-8.26082
129	176	-8.11423
130	176	-7.97228
131	176	-7.85148
132	176	-7.72929
133	176	-7.62545
134	176	-7.50614
135	176	-7.40469
136	176	-7.29764
137	176	-7.20412
138	176	-7.11397
139	176	-7.02335
140	176	-6.93164
141	176	-6.83275
142	176	-6.73464
143	176	-6.64306
144	176	-6.5582
145	176	-6.48091
146	176	-6.414
147	176	-6.36084
148	176	-6.31489
149	176	-6.27281
150	176	-6.23436
151	176	-6.19536
152	176	-5.60092
153	176	-5.56858
154	176	-5.53521
155	176	-5.49893
156	176	-5.46206
157	176	-5.42509
158	176	-5.39502
159	176	-5.37192
160	176	-5.35075
161	176	-5.32746
162	176	-5.30446
163	176	-5.27992
164	176	-5.25568
165	176	-5.23505
166	176	-5.21601
167	176	-5.19848
168	176	-5.18276
169	176	-5.16866
170	176	-5.15578
171	176	-5.14454
172	176	-5.13523
173	176	-5.1245
174	176	-5.11906
175	176	-5.11596
176	176	-5.10371
177	176	-5.10558
178	176	-5.10317
179	176	-5.10018
180	176	-5.09907
-180	177	-7.33508
-179	177	-7.34046
-178	177	-7.3478
-177	177	-7.36029
-176	177	-7.37423
-175	177	-7.38991
-174	177	-7.40968
-173	177	-7.4287
-172	177	-7.45156
-171	177	-7.47612
-170	177	-7.50142
-169	177	-7.53022
-168	177	-7.56157
-167	177	-7.59401
-166	177	-7.62893
-165	177	-7.67359
-164	177	-7.6873
-163	177	-7.751
-162	177	-7.79871
-161	177	-7.8522
-160	177	-7.89999
-159	177	-7.95646
-158	177	-8.01326
-157	177	-8.07114
-156	177	-8.13451
-155	177	-8.19979
-154	177	-8.26831
-153	177	-8.34115
-152	177	-8.41571
-151	177	-8.49369
-150	177	-8.57541
-149	177	-8.65932
-148	177	-8.74741
-147	177	-8.84035
-146	177	-8.93493
-145	177	-9.03302
-144	177	-9.13692

-143	177	-9.24224
-142	177	-9.3511
-141	177	-9.48399
-140	177	-9.60297
-139	177	-9.74527
-138	177	-9.87108
-137	177	-10.0057
-136	177	-10.1476
-135	177	-10.3082
-134	177	-10.4723
-133	177	-10.6298
-132	177	-10.7954
-131	177	-10.9651
-130	177	-11.1396
-129	177	-11.3408
-128	177	-11.5539
-127	177	-11.752
-126	177	-11.9608
-125	177	-12.185
-124	177	-12.4132
-123	177	-12.6462
-122	177	-12.6408
-121	177	-13.1716
-120	177	-13.4647
-119	177	-13.743
-118	177	-14.056
-117	177	-14.3702
-116	177	-14.7083
-115	177	-15.0828
-114	177	-15.4728
-113	177	-15.8412
-112	177	-16.2526
-111	177	-16.7199
-110	177	-17.2045
-109	177	-17.7036
-108	177	-18.2154
-107	177	-18.7847
-106	177	-19.3725
-105	177	-20.0654
-104	177	-20.7591
-103	177	-21.5916
-102	177	-22.4036
-101	177	-23.3528
-100	177	-24.3
-99	177	-25.5233
-98	177	-26.7849
-97	177	-28.2234
-96	177	-29.7827
-95	177	-31.2707
-94	177	-32.4437
-93	177	-32.8164
-92	177	-31.7383
-91	177	-30.3974
-90	177	-28.8892
-89	177	-27.4316
-88	177	-26.1173
-87	177	-24.69
-86	177	-23.6694
-85	177	-22.7214
-84	177	-21.845
-83	177	-21.0383
-82	177	-20.3068
-81	177	-19.642
-80	177	-18.9953
-79	177	-18.3724
-78	177	-17.8413
-77	177	-17.3466
-76	177	-16.906
-75	177	-16.4524
-74	177	-16.0295
-73	177	-15.6475
-72	177	-15.2875
-71	177	-14.9452
-70	177	-14.6192
-69	177	-14.3238
-68	177	-14.0232
-67	177	-13.7408
-66	177	-13.4656
-65	177	-13.1994
-64	177	-12.9381
-63	177	-12.6847
-62	177	-12.4195
-61	177	-12.1585
-60	177	-11.9114
-59	177	-11.6707
-58	177	-11.4433
-57	177	-11.2479
-56	177	-11.0774
-55	177	-10.9038
-54	177	-10.7202
-53	177	-10.5455
-52	177	-10.3787
-51	177	-10.2162
-50	177	-10.0494
-49	177	-9.89865

-48	177	-9.73966
-47	177	-9.64347
-46	177	-9.52589
-45	177	-9.41322
-44	177	-9.29879
-43	177	-9.19649
-42	177	-9.08721
-41	177	-8.99625
-40	177	-8.89406
-39	177	-8.78742
-38	177	-8.7046
-37	177	-8.60876
-36	177	-8.52972
-35	177	-8.44815
-34	177	-8.37017
-33	177	-8.29971
-32	177	-8.23061
-31	177	-8.16508
-30	177	-8.10338
-29	177	-8.04766
-28	177	-7.99131
-27	177	-7.9377
-26	177	-7.88878
-25	177	-7.84207
-24	177	-7.79778
-23	177	-7.75542
-22	177	-7.71701
-21	177	-7.6808
-20	177	-7.6464
-19	177	-7.61451
-18	177	-7.58441
-17	177	-7.55628
-16	177	-7.53
-15	177	-7.50707
-14	177	-7.48606
-13	177	-7.4666
-12	177	-7.44799
-11	177	-7.4318
-10	177	-7.41983
-9	177	-7.40707
-8	177	-7.39631
-7	177	-7.38393
-6	177	-7.38653
-5	177	-7.38104
-4	177	-7.39614
-3	177	-7.38088
-2	177	-7.38878
-1	177	-7.38833
0	177	-7.39567
1	177	-7.40591
2	177	-7.41835
3	177	-7.43046
4	177	-8.64347
5	177	-7.46693
6	177	-7.49785
7	177	-7.52142
8	177	-7.54862
9	177	-7.57072
10	177	-7.58651
11	177	-7.60675
12	177	-7.6327
13	177	-7.66102
14	177	-7.69291
15	177	-7.73524
16	177	-7.74927
17	177	-7.81411
18	177	-7.86444
19	177	-7.92084
20	177	-7.97019
21	177	-8.02791
22	177	-8.08555
23	177	-8.14393
24	177	-8.20801
25	177	-8.27418
26	177	-8.34357
27	177	-8.41764
28	177	-8.49325
29	177	-8.57167
30	177	-8.65408
31	177	-8.73871
32	177	-8.82776
33	177	-8.92231
34	177	-9.01853
35	177	-9.11788
36	177	-9.22333
37	177	-9.33049
38	177	-9.44091
39	177	-9.57502
40	177	-9.69826
41	177	-9.84289
42	177	-9.97225
43	177	-10.1101
44	177	-10.2558
45	177	-10.4204
46	177	-10.5884

47	177	-10.7502
48	177	-10.9205
49	177	-11.1001
50	177	-11.2758
51	177	-11.4798
52	177	-11.6969
53	177	-11.8988
54	177	-12.1111
55	177	-12.3391
56	177	-12.5703
57	177	-12.7969
58	177	-13.0743
59	177	-13.3467
60	177	-13.6247
61	177	-13.9123
62	177	-14.2173
63	177	-14.5528
64	177	-14.8964
65	177	-15.2644
66	177	-15.6705
67	177	-16.0188
68	177	-16.4344
69	177	-16.9496
70	177	-17.431
71	177	-17.9499
72	177	-18.4714
73	177	-19.0081
74	177	-19.5757
75	177	-20.2427
76	177	-20.9646
77	177	-21.7849
78	177	-22.5148
79	177	-23.3969
80	177	-24.3817
81	177	-25.4379
82	177	-26.5102
83	177	-27.6458
84	177	-28.7639
85	177	-29.6905
86	177	-30.2028
87	177	-30.0743
88	177	-29.6188
89	177	-28.5535
90	177	-27.3395
91	177	-26.1651
92	177	-25.0455
93	177	-23.9703
94	177	-22.9849
95	177	-22.1377
96	177	-21.324
97	177	-20.596
98	177	-19.8753
99	177	-19.2405
100	177	-18.6278
101	177	-18.0256
102	177	-17.5311
103	177	-17.0663
104	177	-16.6502
105	177	-16.194
106	177	-15.781
107	177	-15.4153
108	177	-15.059
109	177	-14.7029
110	177	-14.3563
111	177	-14.0489
112	177	-13.7415
113	177	-13.4563
114	177	-13.1838
115	177	-12.9201
116	177	-12.6602
117	177	-12.4147
118	177	-12.1665
119	177	-11.9354
120	177	-11.7237
121	177	-11.5181
122	177	-11.3187
123	177	-11.1182
124	177	-10.9297
125	177	-10.7547
126	177	-10.5787
127	177	-10.4193
128	177	-10.266
129	177	-10.1133
130	177	-9.95805
131	177	-9.81494
132	177	-9.66044
133	177	-9.56048
134	177	-9.43325
135	177	-9.31503
136	177	-9.19588
137	177	-9.09241
138	177	-8.98301
139	177	-8.89714
140	177	-8.80236
141	177	-8.70613

142	177	-8.62411
143	177	-8.52424
144	177	-8.43994
145	177	-8.34927
146	177	-8.25943
147	177	-8.17587
148	177	-8.09641
149	177	-8.02372
150	177	-7.95949
151	177	-7.90603
152	177	-7.85767
153	177	-7.81616
154	177	-7.78118
155	177	-7.74802
156	177	-7.71599
157	177	-7.6839
158	177	-7.65387
159	177	-7.62405
160	177	-7.59379
161	177	-7.56469
162	177	-7.53696
163	177	-7.51017
164	177	-7.48367
165	177	-7.45945
166	177	-7.43676
167	177	-7.41654
168	177	-7.39903
169	177	-7.3847
170	177	-7.37212
171	177	-7.35894
172	177	-7.34888
173	177	-7.33571
174	177	-7.33802
175	177	-7.33309
176	177	-7.34661
177	177	-7.32838
178	177	-7.33364
179	177	-7.33087
180	177	-7.33508
-180	178	-10.2609
-179	178	-10.2655
-178	178	-10.2672
-177	178	-10.3277
-176	178	-10.3182
-175	178	-10.3445
-174	178	-10.3879
-173	178	-10.3901
-172	178	-10.436
-171	178	-10.4457
-170	178	-10.4664
-169	178	-10.5089
-168	178	-10.5192
-167	178	-10.5655
-166	178	-10.5991
-165	178	-10.6291
-164	178	-10.689
-163	178	-10.7149
-162	178	-10.7746
-161	178	-10.8846
-160	178	-10.911
-159	178	-10.9333
-158	178	-11.0157
-157	178	-11.0757
-156	178	-11.1505
-155	178	-11.2281
-154	178	-11.3032
-153	178	-11.3883
-152	178	-11.4656
-151	178	-11.5528
-150	178	-11.6352
-149	178	-11.7261
-148	178	-11.82
-147	178	-11.9216
-146	178	-12.0323
-145	178	-12.1466
-144	178	-12.2654
-143	178	-12.378
-142	178	-12.4922
-141	178	-12.6272
-140	178	-12.778
-139	178	-12.9251
-138	178	-13.0859
-137	178	-13.2457
-136	178	-13.3904
-135	178	-13.5493
-134	178	-13.7208
-133	178	-13.8946
-132	178	-14.0886
-131	178	-14.2652
-130	178	-14.4192
-129	178	-14.6217
-128	178	-14.8821
-127	178	-15.1082
-126	178	-15.2768
-125	178	-15.4598

-124	178	-15.7004
-123	178	-15.9966
-122	178	-16.3108
-121	178	-16.5812
-120	178	-16.8574
-119	178	-17.1481
-118	178	-17.4578
-117	178	-17.7952
-116	178	-18.1117
-115	178	-18.4857
-114	178	-18.8342
-113	178	-19.2142
-112	178	-19.6656
-111	178	-20.0568
-110	178	-20.5582
-109	178	-21.0239
-108	178	-21.5563
-107	178	-22.0339
-106	178	-21.0827
-105	178	-23.3595
-104	178	-24.0477
-103	178	-24.7694
-102	178	-25.4982
-101	178	-26.3373
-100	178	-27.09
-99	178	-28.2098
-98	178	-29.1656
-97	178	-30.1125
-96	178	-31.056
-95	178	-31.7747
-94	178	-32.203
-93	178	-32.2142
-92	178	-31.3927
-91	178	-30.6721
-90	178	-29.7688
-89	178	-28.8176
-88	178	-27.8909
-87	178	-26.6469
-86	178	-25.8812
-85	178	-25.1048
-84	178	-24.3671
-83	178	-23.6873
-82	178	-23.0649
-81	178	-22.4875
-80	178	-21.9499
-79	178	-21.3533
-78	178	-20.8702
-77	178	-20.4268
-76	178	-20.0064
-75	178	-19.5927
-74	178	-19.1935
-73	178	-18.8134
-72	178	-18.4467
-71	178	-18.0879
-70	178	-17.7376
-69	178	-17.404
-68	178	-17.0723
-67	178	-16.7585
-66	178	-16.4628
-65	178	-16.1829
-64	178	-15.9139
-63	178	-15.666
-62	178	-15.4131
-61	178	-15.1745
-60	178	-14.9581
-59	178	-14.7543
-58	178	-14.5426
-57	178	-14.3228
-56	178	-14.1236
-55	178	-13.9524
-54	178	-13.8031
-53	178	-13.6695
-52	178	-13.5311
-51	178	-13.3711
-50	178	-13.2132
-49	178	-13.0758
-48	178	-12.9386
-47	178	-12.7989
-46	178	-12.664
-45	178	-12.5234
-44	178	-12.3888
-43	178	-12.2682
-42	178	-12.1486
-41	178	-12.0408
-40	178	-11.9439
-39	178	-11.8402
-38	178	-11.7398
-37	178	-11.6528
-36	178	-11.5683
-35	178	-11.4891
-34	178	-11.4158
-33	178	-11.3395
-32	178	-11.2646
-31	178	-11.2039
-30	178	-11.1472

-29	178	-11.0776
-28	178	-11.0125
-27	178	-10.9813
-26	178	-10.9657
-25	178	-10.919
-24	178	-10.8369
-23	178	-10.7627
-22	178	-10.7243
-21	178	-10.6954
-20	178	-10.6406
-19	178	-10.5608
-18	178	-10.4893
-17	178	-10.4638
-16	178	-10.4701
-15	178	-10.4847
-14	178	-10.4815
-13	178	-10.458
-12	178	-11.3225
-11	178	-10.353
-10	178	-10.3829
-9	178	-10.3784
-8	178	-10.3792
-7	178	-10.3738
-6	178	-10.3863
-5	178	-10.3647
-4	178	-10.3265
-3	178	-10.3909
-2	178	-10.4138
-1	178	-10.3539
0	178	-10.3874
1	178	-10.3974
2	178	-10.3972
3	178	-10.4646
4	178	-10.449
5	178	-10.4556
6	178	-10.5117
7	178	-10.5268
8	178	-10.5657
9	178	-10.5744
10	178	-10.5957
11	178	-10.6357
12	178	-10.6453
13	178	-10.6924
14	178	-10.7234
15	178	-10.7547
16	178	-10.8147
17	178	-10.8387
18	178	-10.9062
19	178	-11.0118
20	178	-11.0279
21	178	-11.0556
22	178	-11.1401
23	178	-11.1994
24	178	-11.2762
25	178	-11.3535
26	178	-11.4302
27	178	-11.5161
28	178	-11.5948
29	178	-11.6836
30	178	-11.7664
31	178	-11.8582
32	178	-11.9524
33	178	-12.0552
34	178	-12.1664
35	178	-12.2814
36	178	-12.4012
37	178	-12.5157
38	178	-12.6324
39	178	-12.7696
40	178	-12.922
41	178	-13.0682
42	178	-13.2241
43	178	-13.377
44	178	-13.5178
45	178	-13.6793
46	178	-13.8643
47	178	-14.0549
48	178	-14.2538
49	178	-14.4258
50	178	-14.5837
51	178	-14.7927
52	178	-15.0434
53	178	-15.2687
54	178	-15.4472
55	178	-15.6286
56	178	-15.8575
57	178	-16.1484
58	178	-16.4628
59	178	-16.7501
60	178	-17.0251
61	178	-17.3253
62	178	-17.6352
63	178	-17.9656
64	178	-18.2903
65	178	-18.6631

66	178	-19.0117
67	178	-19.3951
68	178	-19.8624
69	178	-20.3071
70	178	-20.7239
71	178	-21.1848
72	178	-21.6669
73	178	-22.1891
74	178	-22.7264
75	178	-23.3651
76	178	-24.0366
77	178	-24.6497
78	178	-25.289
79	178	-25.9747
80	178	-26.8045
81	178	-27.6344
82	178	-28.3171
83	178	-28.9211
84	178	-29.3751
85	178	-29.6721
86	178	-29.7244
87	178	-29.4742
88	178	-29.2123
89	178	-28.5657
90	178	-27.8376
91	178	-27.0704
92	178	-26.2932
93	178	-25.5256
94	178	-24.7559
95	178	-24.0865
96	178	-23.4541
97	178	-22.8384
98	178	-22.2663
99	178	-21.7266
100	178	-21.1529
101	178	-20.6323
102	178	-20.1882
103	178	-19.763
104	178	-19.3665
105	178	-18.9626
106	178	-18.5416
107	178	-18.1662
108	178	-17.8164
109	178	-17.5198
110	178	-17.2134
111	178	-16.9075
112	178	-16.6187
113	178	-16.355
114	178	-16.1006
115	178	-15.8521
116	178	-15.6073
117	178	-15.3807
118	178	-15.1414
119	178	-14.9179
120	178	-14.7168
121	178	-14.5266
122	178	-14.3401
123	178	-14.1321
124	178	-13.9394
125	178	-13.7568
126	178	-13.602
127	178	-13.4602
128	178	-13.3114
129	178	-13.143
130	178	-12.9845
131	178	-12.8527
132	178	-12.7231
133	178	-12.5927
134	178	-12.469
135	178	-12.3413
136	178	-12.2184
137	178	-12.1067
138	178	-11.9951
139	178	-11.8946
140	178	-11.8031
141	178	-11.7041
142	178	-11.6061
143	178	-11.5178
144	178	-11.4309
145	178	-11.3505
146	178	-11.2753
147	178	-11.195
148	178	-11.1146
149	178	-11.0461
150	178	-10.9784
151	178	-10.8985
152	178	-10.8271
153	178	-10.7874
154	178	-10.7556
155	178	-10.6886
156	178	-10.5947
157	178	-10.5195
158	178	-10.4819
159	178	-10.4511
160	178	-10.3952

161	178	-10.3177
162	178	-10.257
163	178	-10.2422
164	178	-10.2609
165	178	-10.2833
166	178	-10.2903
167	178	-10.2749
168	178	-10.2527
169	178	-10.2371
170	178	-10.2263
171	178	-10.2323
172	178	-10.2398
173	178	-10.2367
174	178	-10.2534
175	178	-10.2335
176	178	-10.2061
177	178	-10.2776
178	178	-10.2879
179	178	-10.2255
180	178	-10.2609
-180	179	-15.4383
-179	179	-15.4023
-178	179	-15.3905
-177	179	-15.4083
-176	179	-15.4426
-175	179	-15.4697
-174	179	-15.4856
-173	179	-15.5041
-172	179	-15.5353
-171	179	-15.5722
-170	179	-15.6033
-169	179	-15.6279
-168	179	-15.657
-167	179	-15.6951
-166	179	-15.7366
-165	179	-15.7761
-164	179	-15.8173
-163	179	-15.8679
-162	179	-15.9281
-161	179	-15.9903
-160	179	-16.0499
-159	179	-16.1126
-158	179	-16.1828
-157	179	-16.2598
-156	179	-16.3386
-155	179	-16.4186
-154	179	-16.5023
-153	179	-16.5887
-152	179	-16.6755
-151	179	-16.7599
-150	179	-16.8463
-149	179	-16.9399
-148	179	-17.0408
-147	179	-17.1448
-146	179	-17.2492
-145	179	-17.3576
-144	179	-17.4704
-143	179	-17.585
-142	179	-17.6977
-141	179	-17.849
-140	179	-18.0092
-139	179	-18.1408
-138	179	-18.2754
-137	179	-18.4146
-136	179	-18.5953
-135	179	-18.7434
-134	179	-18.8973
-133	179	-19.0952
-132	179	-19.2603
-131	179	-19.4274
-130	179	-19.5996
-129	179	-19.8276
-128	179	-20.0625
-127	179	-20.2489
-126	179	-20.4776
-125	179	-20.7028
-124	179	-20.9118
-123	179	-21.1282
-122	179	-21.3984
-121	179	-21.6248
-120	179	-21.8661
-119	179	-22.1097
-118	179	-22.393
-117	179	-22.7161
-116	179	-22.9832
-115	179	-23.3043
-114	179	-23.6079
-113	179	-23.9114
-112	179	-24.2699
-111	179	-24.5976
-110	179	-25.0333
-109	179	-25.387
-108	179	-25.7663
-107	179	-26.1687
-106	179	-26.5579

-105	179	-27.0706
-104	179	-27.6021
-103	179	-28.0308
-102	179	-28.4658
-101	179	-28.905
-100	179	-29.1112
-99	179	-29.6741
-98	179	-30.0265
-97	179	-30.3336
-96	179	-30.6162
-95	179	-30.7954
-94	179	-30.9082
-93	179	-30.9558
-92	179	-30.5014
-91	179	-30.3628
-90	179	-30.1449
-89	179	-29.8646
-88	179	-29.5321
-87	179	-28.747
-86	179	-28.4436
-85	179	-28.0265
-84	179	-27.5968
-83	179	-27.1986
-82	179	-26.7914
-81	179	-26.3936
-80	179	-26.05
-79	179	-25.5178
-78	179	-25.1344
-77	179	-24.7674
-76	179	-24.4202
-75	179	-24.0988
-74	179	-23.788
-73	179	-23.482
-72	179	-23.1823
-71	179	-22.8872
-70	179	-22.5994
-69	179	-22.3324
-68	179	-22.0687
-67	179	-21.8225
-66	179	-21.5926
-65	179	-21.3671
-64	179	-21.1341
-63	179	-20.9186
-62	179	-20.6868
-61	179	-20.4708
-60	179	-20.257
-59	179	-20.0688
-58	179	-19.8936
-57	179	-19.7069
-56	179	-19.5472
-55	179	-19.3912
-54	179	-19.2255
-53	179	-19.0736
-52	179	-18.9219
-51	179	-18.7449
-50	179	-18.5703
-49	179	-18.4266
-48	179	-18.2872
-47	179	-18.1493
-46	179	-17.9975
-45	179	-17.8736
-44	179	-17.7589
-43	179	-17.6327
-42	179	-17.5376
-41	179	-17.4521
-40	179	-17.3716
-39	179	-17.2741
-38	179	-17.1773
-37	179	-17.0972
-36	179	-17.0178
-35	179	-16.9414
-34	179	-16.8715
-33	179	-16.8063
-32	179	-16.7438
-31	179	-16.6799
-30	179	-16.6128
-29	179	-16.5424
-28	179	-16.4742
-27	179	-16.4122
-26	179	-16.3586
-25	179	-16.3105
-24	179	-16.2624
-23	179	-16.2082
-22	179	-16.1512
-21	179	-16.0981
-20	179	-16.0552
-19	179	-16.0218
-18	179	-15.9899
-17	179	-15.9542
-16	179	-15.9155
-15	179	-15.884
-14	179	-15.8677
-13	179	-15.8639
-12	179	-15.8605
-11	179	-15.8464

-10	179	-15.8244
-9	179	-15.8065
-8	179	-15.8033
-7	179	-15.8063
-6	179	-15.8033
-5	179	-15.796
-4	179	-15.7956
-3	179	-15.8222
-2	179	-15.8681
-1	179	-15.903
0	179	-15.9025
1	179	-15.876
2	179	-15.862
3	179	-15.8768
4	179	-15.9147
5	179	-15.9504
6	179	-15.9728
7	179	-15.9937
8	179	-16.0268
9	179	-16.0691
10	179	-16.108
11	179	-16.1409
12	179	-16.1778
13	179	-16.2249
14	179	-16.276
15	179	-16.3228
16	179	-16.3678
17	179	-16.4189
18	179	-16.4782
19	179	-16.5388
20	179	-16.5961
21	179	-16.6563
22	179	-16.724
23	179	-16.7974
24	179	-16.8701
25	179	-16.9423
26	179	-17.0201
27	179	-17.1051
28	179	-17.1943
29	179	-17.2828
30	179	-17.3731
31	179	-17.4703
32	179	-17.5736
33	179	-17.6779
34	179	-17.7805
35	179	-17.8868
36	179	-17.9993
37	179	-18.1157
38	179	-18.231
39	179	-18.3824
40	179	-18.5422
41	179	-18.674
42	179	-18.8085
43	179	-18.9477
44	179	-19.1282
45	179	-19.2822
46	179	-19.4441
47	179	-19.6479
48	179	-19.822
49	179	-19.9985
50	179	-20.1814
51	179	-20.4144
52	179	-20.6533
53	179	-20.8499
54	179	-21.0518
55	179	-21.2818
56	179	-21.4998
57	179	-21.7267
58	179	-22.0014
59	179	-22.2418
60	179	-22.4971
61	179	-22.7926
62	179	-23.0892
63	179	-23.4158
64	179	-23.6978
65	179	-24.0213
66	179	-24.3311
67	179	-24.6485
68	179	-25.0271
69	179	-25.4288
70	179	-25.781
71	179	-26.1443
72	179	-26.5279
73	179	-26.9088
74	179	-27.2994
75	179	-27.7573
76	179	-28.2085
77	179	-28.5873
78	179	-28.9503
79	179	-29.2967
80	179	-29.8172
81	179	-30.1508
82	179	-30.3622
83	179	-30.4976
84	179	-30.5369

85	179	-30.4979
86	179	-30.3711
87	179	-30.1172
88	179	-30.1889
89	179	-29.8625
90	179	-29.5106
91	179	-29.141
92	179	-28.7588
93	179	-28.2442
94	179	-27.7265
95	179	-27.3091
96	179	-26.891
97	179	-26.4648
98	179	-26.0755
99	179	-25.6919
100	179	-25.2037
101	179	-24.7966
102	179	-24.4463
103	179	-24.1152
104	179	-23.802
105	179	-23.451
106	179	-23.1161
107	179	-22.8394
108	179	-22.5699
109	179	-22.3003
110	179	-22.0275
111	179	-21.7889
112	179	-21.5228
113	179	-21.2768
114	179	-21.0554
115	179	-20.8316
116	179	-20.595
117	179	-20.388
118	179	-20.1545
119	179	-19.944
120	179	-19.7581
121	179	-19.5776
122	179	-19.412
123	179	-19.2315
124	179	-19.0834
125	179	-18.9393
126	179	-18.7816
127	179	-18.6171
128	179	-18.472
129	179	-18.3013
130	179	-18.136
131	179	-18.0051
132	179	-17.8817
133	179	-17.7625
134	179	-17.6309
135	179	-17.5211
136	179	-17.4132
137	179	-17.2888
138	179	-17.1866
139	179	-17.0899
140	179	-16.9977
141	179	-16.8932
142	179	-16.7912
143	179	-16.7034
144	179	-16.6188
145	179	-16.5413
146	179	-16.4737
147	179	-16.415
148	179	-16.3611
149	179	-16.3084
150	179	-16.2542
151	179	-16.1986
152	179	-16.146
153	179	-16.0984
154	179	-16.0563
155	179	-16.0157
156	179	-15.9732
157	179	-15.9233
158	179	-15.8714
159	179	-15.8239
160	179	-15.786
161	179	-15.7545
162	179	-15.7222
163	179	-15.6847
164	179	-15.6447
165	179	-15.6107
166	179	-15.5885
167	179	-15.5742
168	179	-15.558
169	179	-15.5333
170	179	-15.5045
171	179	-15.479
172	179	-15.4629
173	179	-15.447
174	179	-15.4259
175	179	-15.4082
176	179	-15.4051
177	179	-15.426
178	179	-15.4544
179	179	-15.4625

180	179	-15.4383
-180	180	-30.9034
-179	180	-30.9034
-178	180	-30.9034
-177	180	-30.9034
-176	180	-30.9034
-175	180	-30.9034
-174	180	-30.9034
-173	180	-30.9034
-172	180	-30.9034
-171	180	-30.9034
-170	180	-30.9034
-169	180	-30.9034
-168	180	-30.9034
-167	180	-30.9034
-166	180	-30.9034
-165	180	-30.9034
-164	180	-30.9034
-163	180	-30.9034
-162	180	-30.9034
-161	180	-30.9034
-160	180	-30.9034
-159	180	-30.9034
-158	180	-30.9034
-157	180	-30.9034
-156	180	-30.9034
-155	180	-30.9034
-154	180	-30.9034
-153	180	-30.9034
-152	180	-30.9034
-151	180	-30.9034
-150	180	-30.9034
-149	180	-30.9034
-148	180	-30.9034
-147	180	-30.9034
-146	180	-30.9034
-145	180	-30.9034
-144	180	-30.9034
-143	180	-30.9034
-142	180	-30.9034
-141	180	-30.9034
-140	180	-30.9034
-139	180	-30.9034
-138	180	-30.9034
-137	180	-30.9034
-136	180	-30.9034
-135	180	-30.9034
-134	180	-30.9034
-133	180	-30.9034
-132	180	-30.9034
-131	180	-30.9034
-130	180	-30.9034
-129	180	-30.9034
-128	180	-30.9034
-127	180	-30.9034
-126	180	-30.9034
-125	180	-30.9034
-124	180	-30.9034
-123	180	-30.9034
-122	180	-30.9034
-121	180	-30.9034
-120	180	-30.9034
-119	180	-30.9034
-118	180	-30.9034
-117	180	-30.9034
-116	180	-30.9034
-115	180	-30.9034
-114	180	-30.9034
-113	180	-30.9034
-112	180	-30.9034
-111	180	-30.9034
-110	180	-30.9034
-109	180	-30.9034
-108	180	-30.9034
-107	180	-30.9034
-106	180	-30.9034
-105	180	-30.9034
-104	180	-30.9034
-103	180	-30.9034
-102	180	-30.9034
-101	180	-30.9034
-100	180	-30.9034
-99	180	-30.9034
-98	180	-30.9034
-97	180	-30.9034
-96	180	-30.9034
-95	180	-30.9034
-94	180	-30.9034
-93	180	-30.9034
-92	180	-30.9034
-91	180	-30.9034
-90	180	-30.9034
-89	180	-30.9034
-88	180	-30.9034
-87	180	-30.9034

-86	180	-30.9034
-85	180	-30.9034
-84	180	-30.9034
-83	180	-30.9034
-82	180	-30.9034
-81	180	-30.9034
-80	180	-30.9034
-79	180	-30.9034
-78	180	-30.9034
-77	180	-30.9034
-76	180	-30.9034
-75	180	-30.9034
-74	180	-30.9034
-73	180	-30.9034
-72	180	-30.9034
-71	180	-30.9034
-70	180	-30.9034
-69	180	-30.9034
-68	180	-30.9034
-67	180	-30.9034
-66	180	-30.9034
-65	180	-30.9034
-64	180	-30.9034
-63	180	-30.9034
-62	180	-30.9034
-61	180	-30.9034
-60	180	-30.9034
-59	180	-30.9034
-58	180	-30.9034
-57	180	-30.9034
-56	180	-30.9034
-55	180	-30.9034
-54	180	-30.9034
-53	180	-30.9034
-52	180	-30.9034
-51	180	-30.9034
-50	180	-30.9034
-49	180	-30.9034
-48	180	-30.9034
-47	180	-30.9034
-46	180	-30.9034
-45	180	-30.9034
-44	180	-30.9034
-43	180	-30.9034
-42	180	-30.9034
-41	180	-30.9034
-40	180	-30.9034
-39	180	-30.9034
-38	180	-30.9034
-37	180	-30.9034
-36	180	-30.9034
-35	180	-30.9034
-34	180	-30.9034
-33	180	-30.9034
-32	180	-30.9034
-31	180	-30.9034
-30	180	-30.9034
-29	180	-30.9034
-28	180	-30.9034
-27	180	-30.9034
-26	180	-30.9034
-25	180	-30.9034
-24	180	-30.9034
-23	180	-30.9034
-22	180	-30.9034
-21	180	-30.9034
-20	180	-30.9034
-19	180	-30.9034
-18	180	-30.9034
-17	180	-30.9034
-16	180	-30.9034
-15	180	-30.9034
-14	180	-30.9034
-13	180	-30.9034
-12	180	-30.9034
-11	180	-30.9034
-10	180	-30.9034
-9	180	-30.9034
-8	180	-30.9034
-7	180	-30.9034
-6	180	-30.9034
-5	180	-30.9034
-4	180	-30.9034
-3	180	-30.9034
-2	180	-30.9034
-1	180	-30.9034
0	180	-30.9034
1	180	-30.9034
2	180	-30.9034
3	180	-30.9034
4	180	-30.9034
5	180	-30.9034
6	180	-30.9034
7	180	-30.9034
8	180	-30.9034

9	180	-30.9034
10	180	-30.9034
11	180	-30.9034
12	180	-30.9034
13	180	-30.9034
14	180	-30.9034
15	180	-30.9034
16	180	-30.9034
17	180	-30.9034
18	180	-30.9034
19	180	-30.9034
20	180	-30.9034
21	180	-30.9034
22	180	-30.9034
23	180	-30.9034
24	180	-30.9034
25	180	-30.9034
26	180	-30.9034
27	180	-30.9034
28	180	-30.9034
29	180	-30.9034
30	180	-30.9034
31	180	-30.9034
32	180	-30.9034
33	180	-30.9034
34	180	-30.9034
35	180	-30.9034
36	180	-30.9034
37	180	-30.9034
38	180	-30.9034
39	180	-30.9034
40	180	-30.9034
41	180	-30.9034
42	180	-30.9034
43	180	-30.9034
44	180	-30.9034
45	180	-30.9034
46	180	-30.9034
47	180	-30.9034
48	180	-30.9034
49	180	-30.9034
50	180	-30.9034
51	180	-30.9034
52	180	-30.9034
53	180	-30.9034
54	180	-30.9034
55	180	-30.9034
56	180	-30.9034
57	180	-30.9034
58	180	-30.9034
59	180	-30.9034
60	180	-30.9034
61	180	-30.9034
62	180	-30.9034
63	180	-30.9034
64	180	-30.9034
65	180	-30.9034
66	180	-30.9034
67	180	-30.9034
68	180	-30.9034
69	180	-30.9034
70	180	-30.9034
71	180	-30.9034
72	180	-30.9034
73	180	-30.9034
74	180	-30.9034
75	180	-30.9034
76	180	-30.9034
77	180	-30.9034
78	180	-30.9034
79	180	-30.9034
80	180	-30.9034
81	180	-30.9034
82	180	-30.9034
83	180	-30.9034
84	180	-30.9034
85	180	-30.9034
86	180	-30.9034
87	180	-30.9034
88	180	-30.9034
89	180	-30.9034
90	180	-30.9034
91	180	-30.9034
92	180	-30.9034
93	180	-30.9034
94	180	-30.9034
95	180	-30.9034
96	180	-30.9034
97	180	-30.9034
98	180	-30.9034
99	180	-30.9034
100	180	-30.9034
101	180	-30.9034
102	180	-30.9034
103	180	-30.9034

104	180	-30.9034
105	180	-30.9034
106	180	-30.9034
107	180	-30.9034
108	180	-30.9034
109	180	-30.9034
110	180	-30.9034
111	180	-30.9034
112	180	-30.9034
113	180	-30.9034
114	180	-30.9034
115	180	-30.9034
116	180	-30.9034
117	180	-30.9034
118	180	-30.9034
119	180	-30.9034
120	180	-30.9034
121	180	-30.9034
122	180	-30.9034
123	180	-30.9034
124	180	-30.9034
125	180	-30.9034
126	180	-30.9034
127	180	-30.9034
128	180	-30.9034
129	180	-30.9034
130	180	-30.9034
131	180	-30.9034
132	180	-30.9034
133	180	-30.9034
134	180	-30.9034
135	180	-30.9034
136	180	-30.9034
137	180	-30.9034
138	180	-30.9034
139	180	-30.9034
140	180	-30.9034
141	180	-30.9034
142	180	-30.9034
143	180	-30.9034
144	180	-30.9034
145	180	-30.9034
146	180	-30.9034
147	180	-30.9034
148	180	-30.9034
149	180	-30.9034
150	180	-30.9034
151	180	-30.9034
152	180	-30.9034
153	180	-30.9034
154	180	-30.9034
155	180	-30.9034
156	180	-30.9034
157	180	-30.9034
158	180	-30.9034
159	180	-30.9034
160	180	-30.9034
161	180	-30.9034
162	180	-30.9034
163	180	-30.9034
164	180	-30.9034
165	180	-30.9034
166	180	-30.9034
167	180	-30.9034
168	180	-30.9034
169	180	-30.9034
170	180	-30.9034
171	180	-30.9034
172	180	-30.9034
173	180	-30.9034
174	180	-30.9034
175	180	-30.9034
176	180	-30.9034
177	180	-30.9034
178	180	-30.9034
179	180	-30.9034
180	180	-30.9034