

# L1RRKPA-S

## L1 GPS Passive Antenna Technical Product Data

### Features

- Low Input SWR
  - 1.5:1
- Peak Gain
  - 4dBic
- Right Hand Circular Polarization



### Description

The L1RRKPA-S is an SMA-female L1-only GPS passive antenna with 4dBic peak gain.

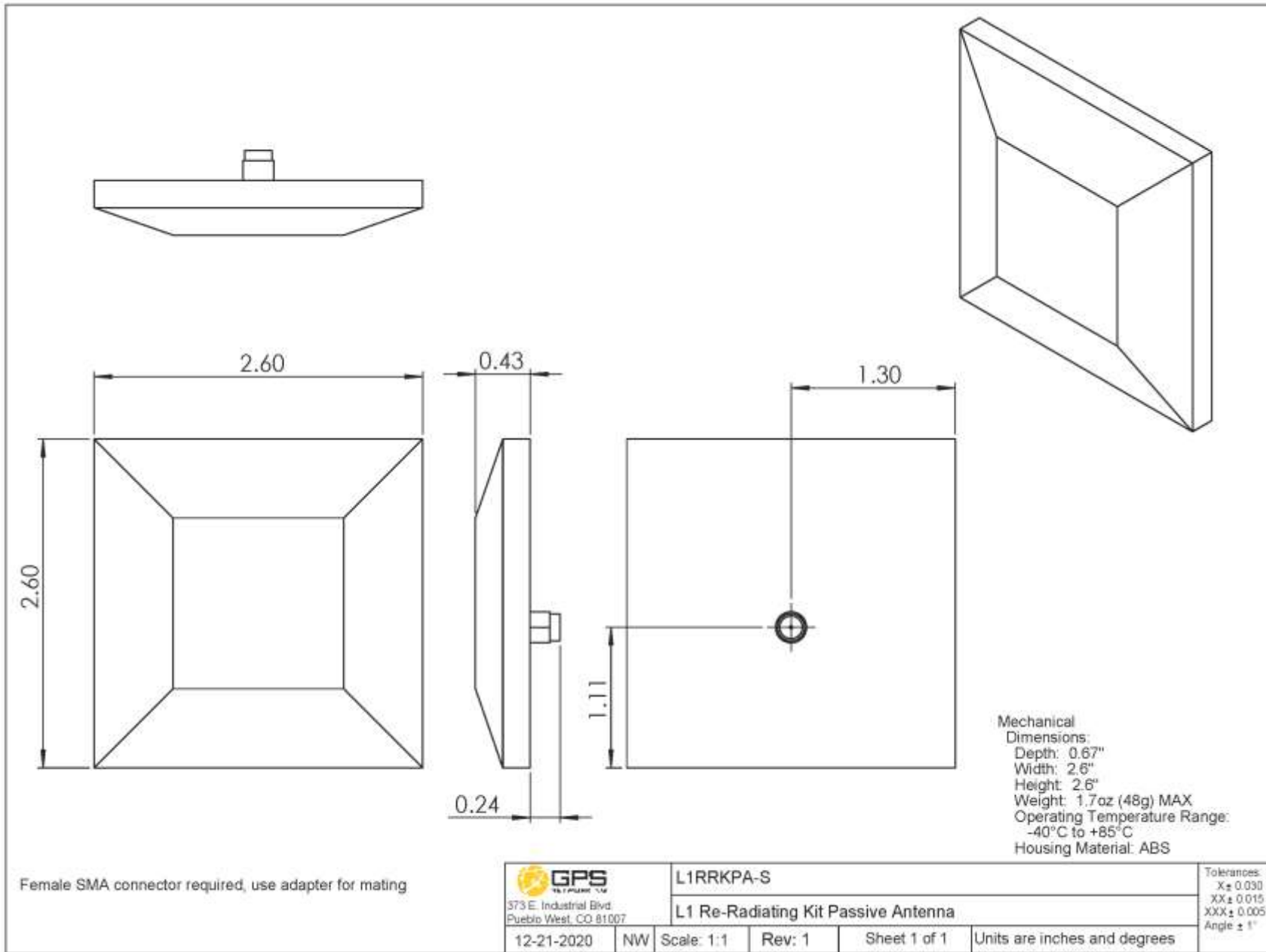
### Use Cases

- Re-radiate the L1 signal indoors for GPS product testing.
- Saves time and money by keeping aircraft hangared during navigation system maintenance.
- In combination with one of our splitter devices to create a GPS distribution network.

### Re-Radiating Antenna Electrical Specifications, TA=25°C

Parameter	Notes	Min	Typ	Max	Unit
Frequency	Re-Radiates GPS L1 frequency.	1.572	1.575	1.578	GHz
Axial Ratio	Ratio between the major and minor axes of the polarization ellipse.			3	dB
Peak Gain	The Increase in signal power relative to an isotropic antenna source.			4	dBic
Bandwidth	Passband centers at GPS L1 frequency.	20			MHz
Input SWR	Input Standing Wave Ratio: S11 at L1.			1.5:1	-
Characteristic Impedance	Input port matched to 50Ω.		50		Ω
<b>Polarization</b>					
<b>Right Hand Circular Polarization</b>					
Connector Options	Connector Style	Charge			
	Type SMA-female	No Charge			

# Mechanical



Contact us at [salestech@gpsnetworking.com](mailto:salestech@gpsnetworking.com) for 3D models or CAD drawings.