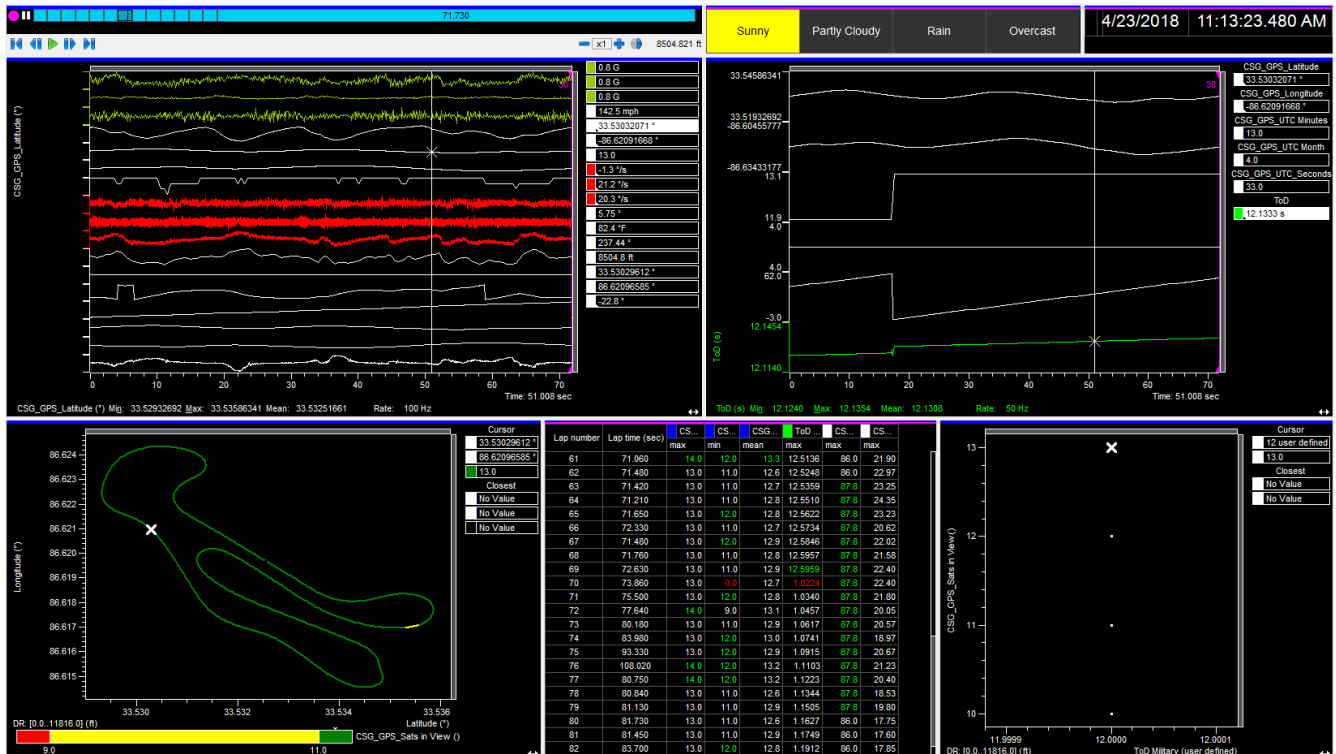


Cosworth LOA FCC Documentation

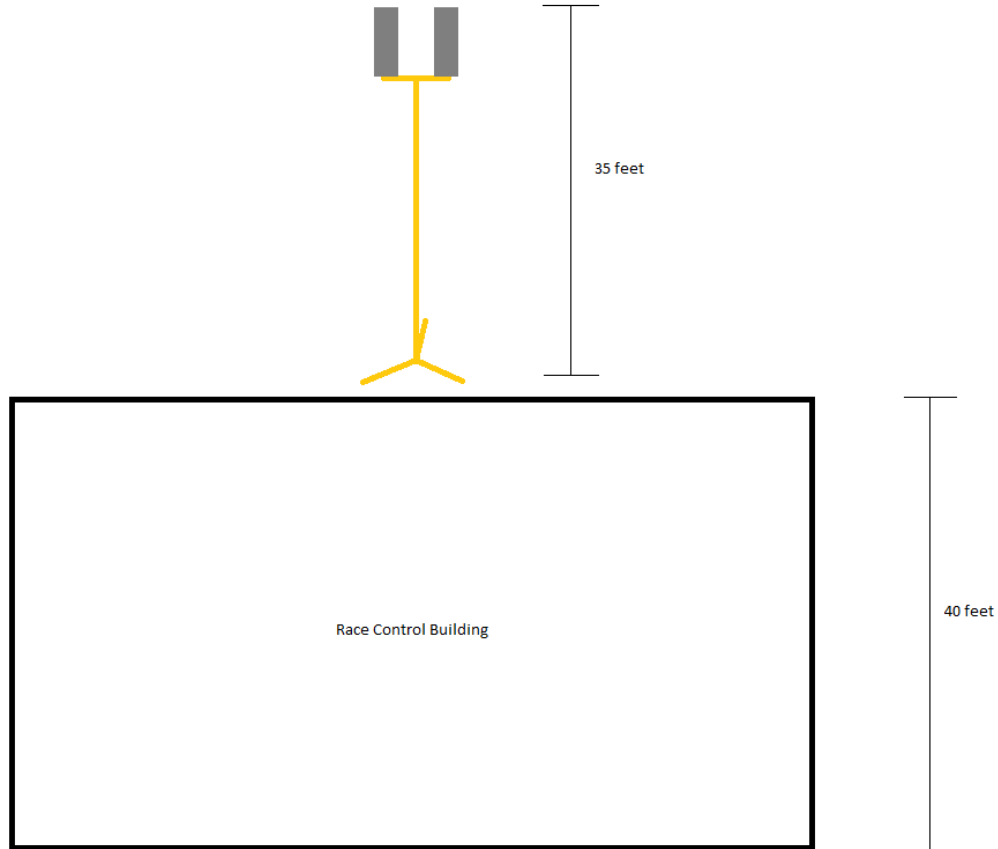
This document provides reference photos of the Live-on-Air site installs for the various tracks in the 2022 IndyCar season.



CONTENTS

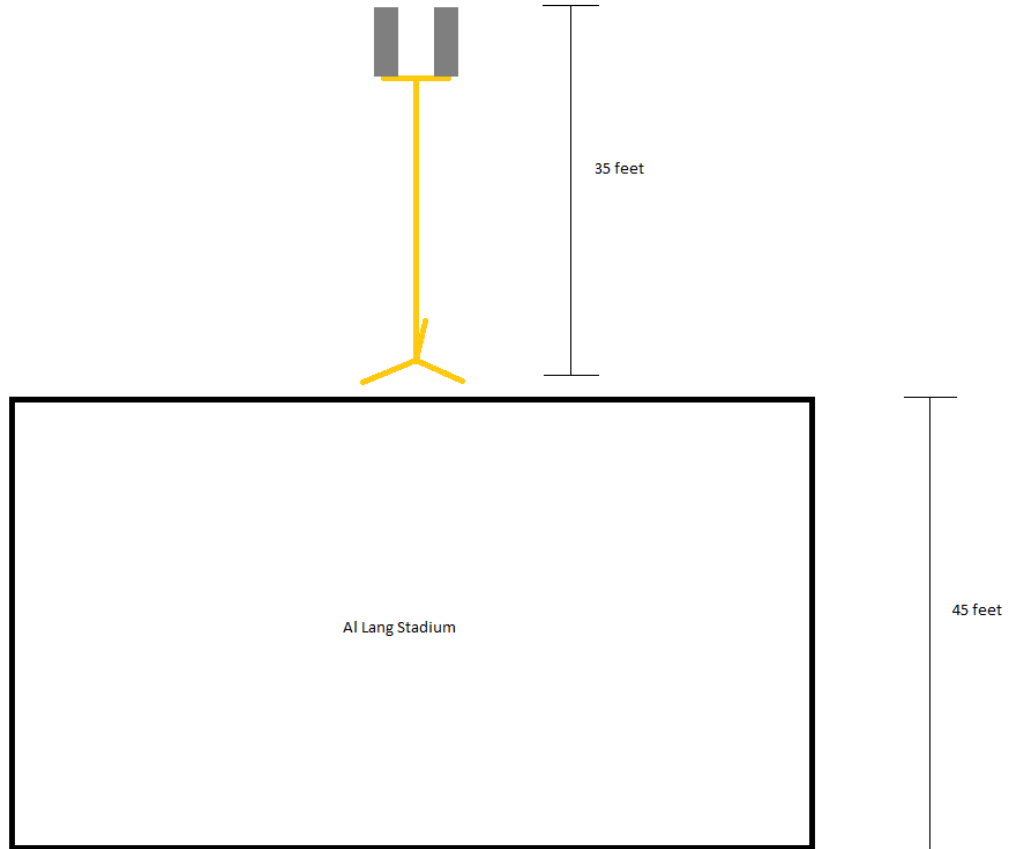
1.	Barber Motorsports Park	3
2.	St. Petersburg	5
3.	Texas Motor Speedway.....	7
4.	Indianapolis Motor Speedway	9
5.	Belle Isle, Detroit.....	11
5.1	Site # 1	12
5.2	Site # 2.....	13
6.	Road America	14
6.1	Site # 1	15
6.2	Site # 2.....	17
6.2	Site # 3.....	18
6.4	Site # 4.....	19
6.5	Site # 5.....	20
7.	Mid-Ohio	21
8.	Nashville	23
9.	Gateway	25
10.	Portland.....	27
11.	Laguna Seca	29
11.1	Site # 1	30
11.2	Site # 2.....	31
11.3	Site # 3.....	32
12.	Long Beach.....	33

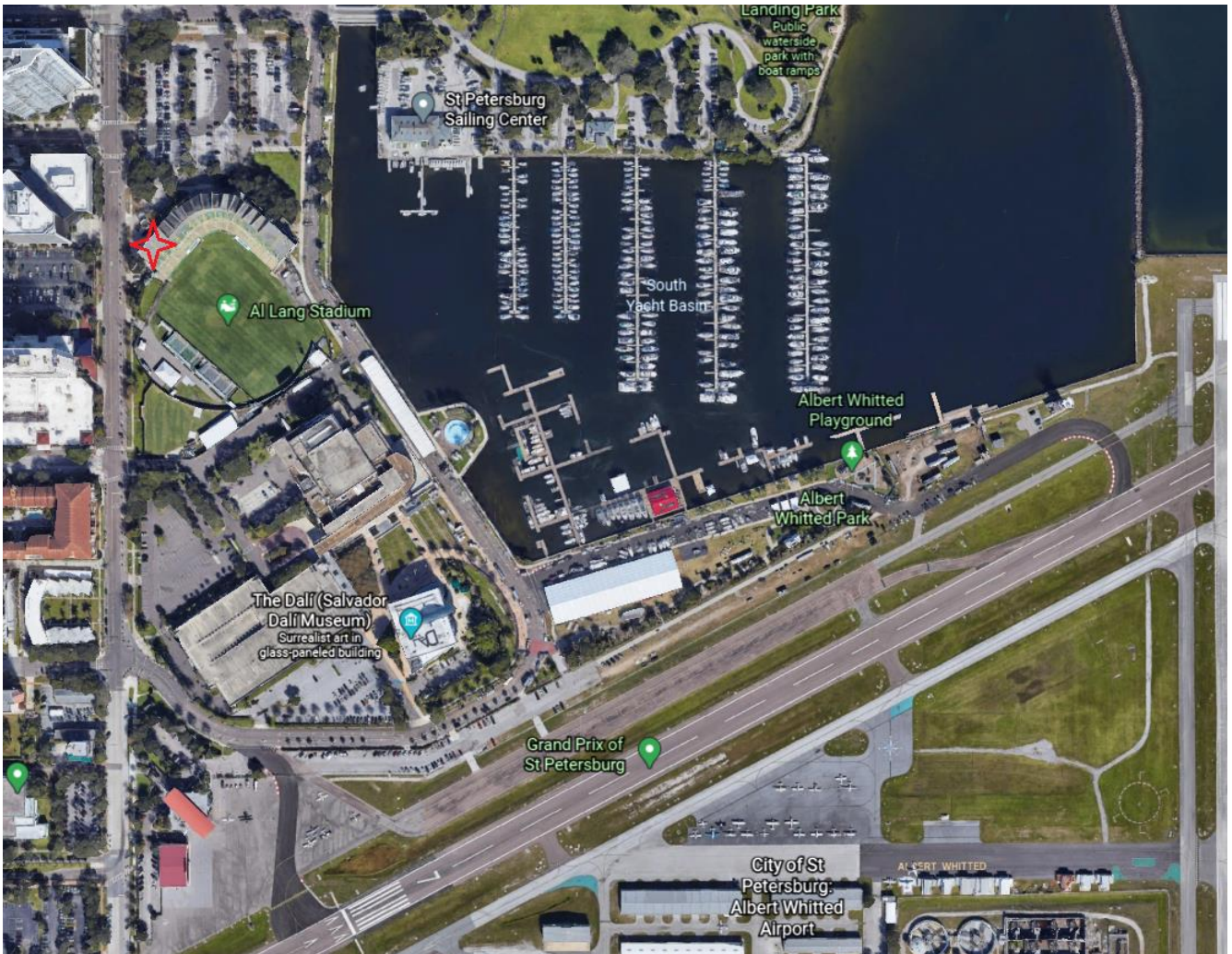
1. Barber Motorsports Park



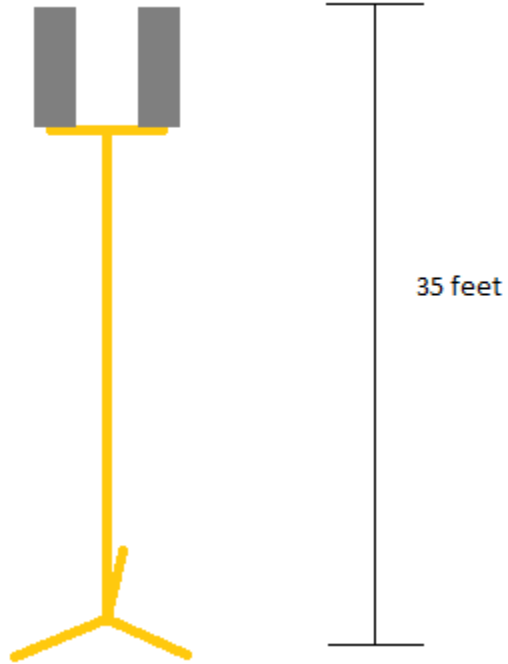


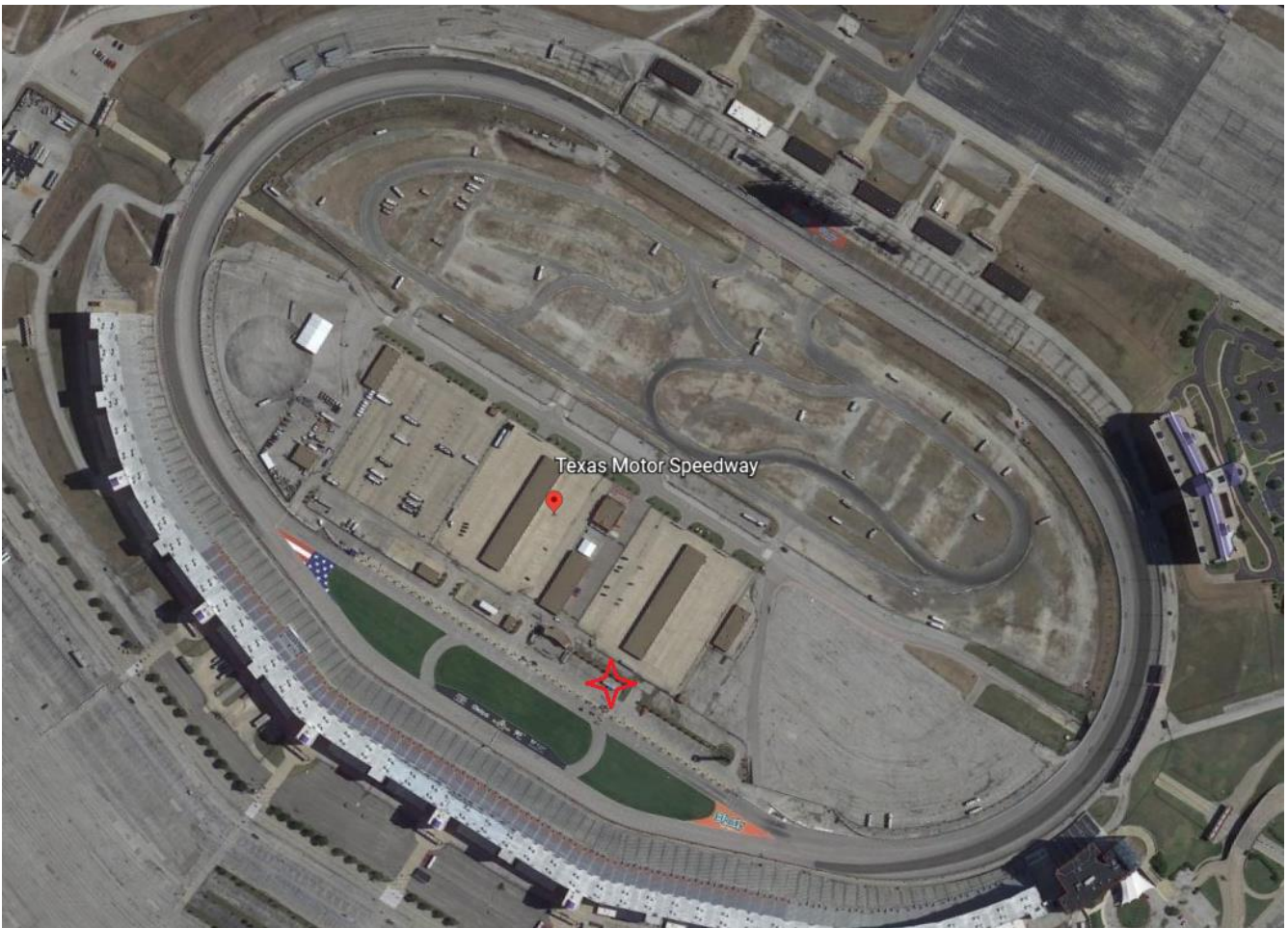
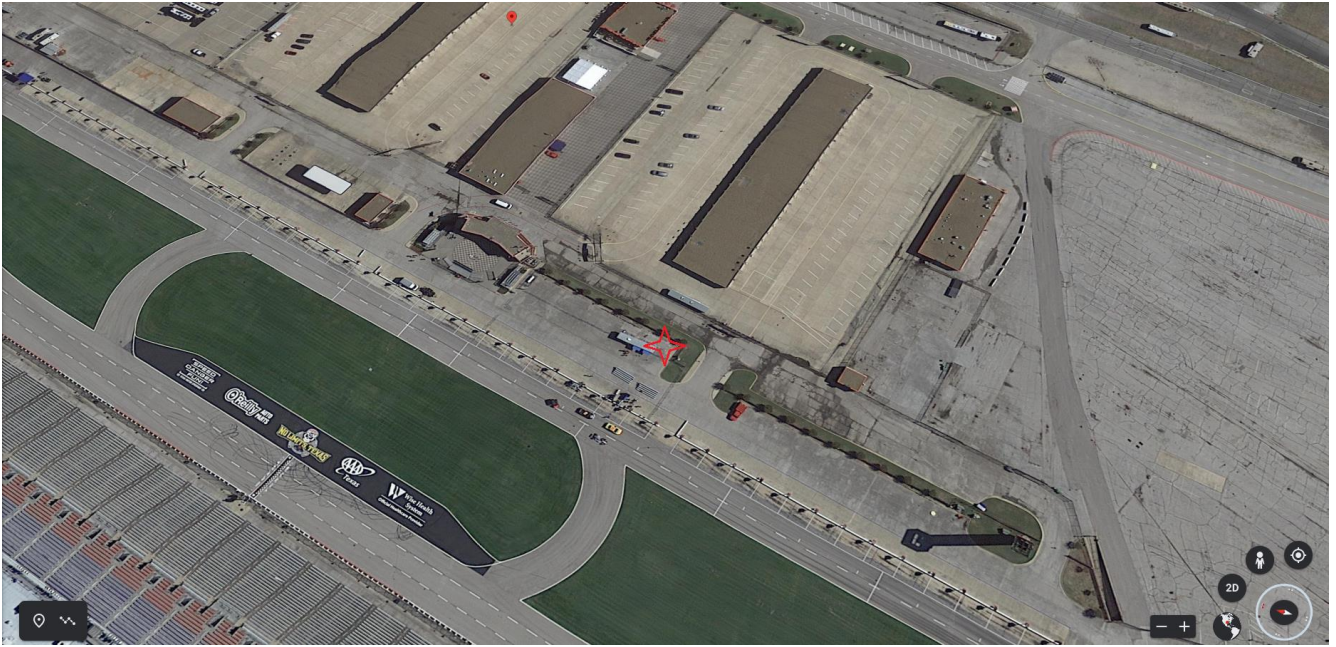
2. St. Petersburg



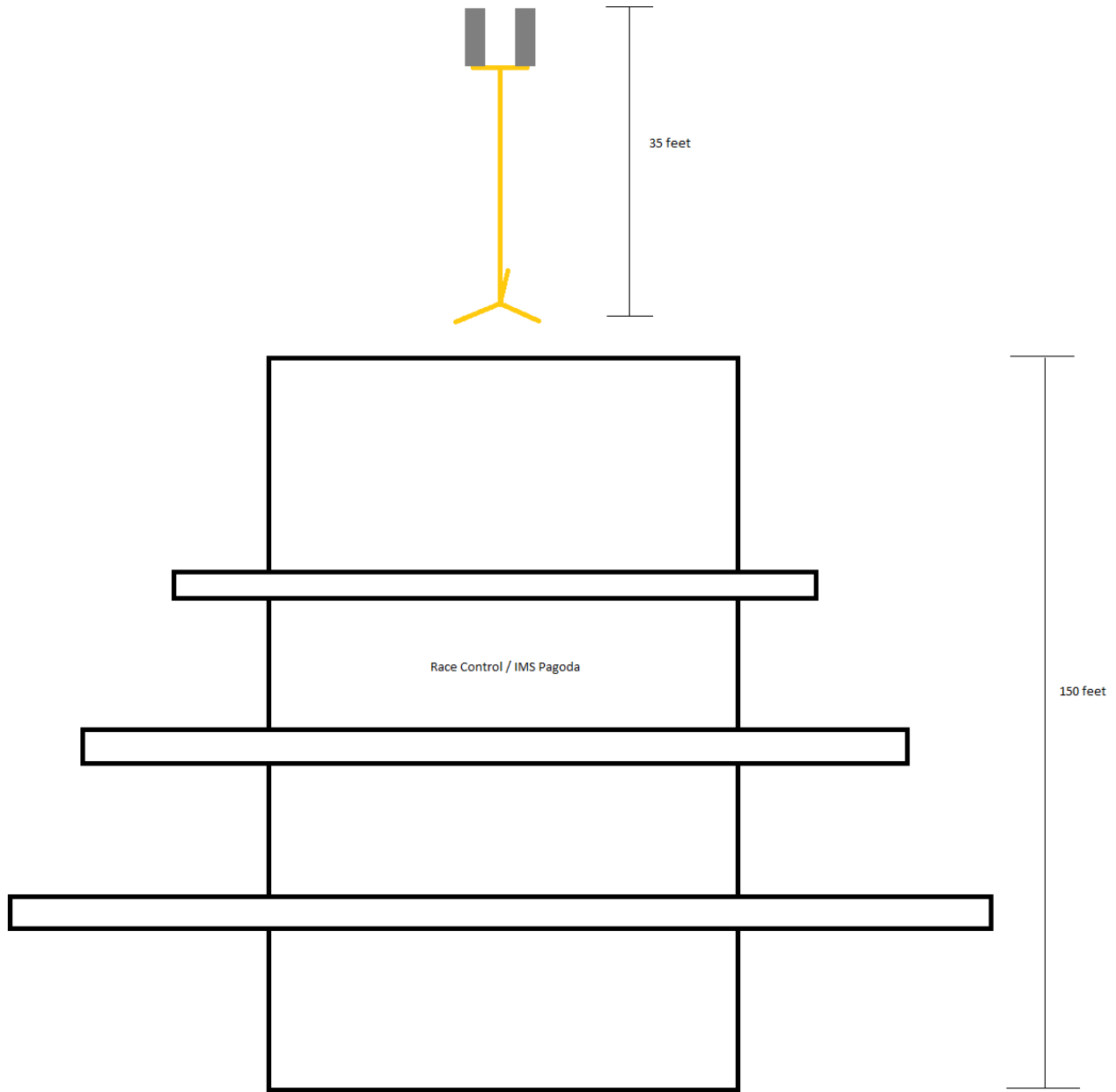


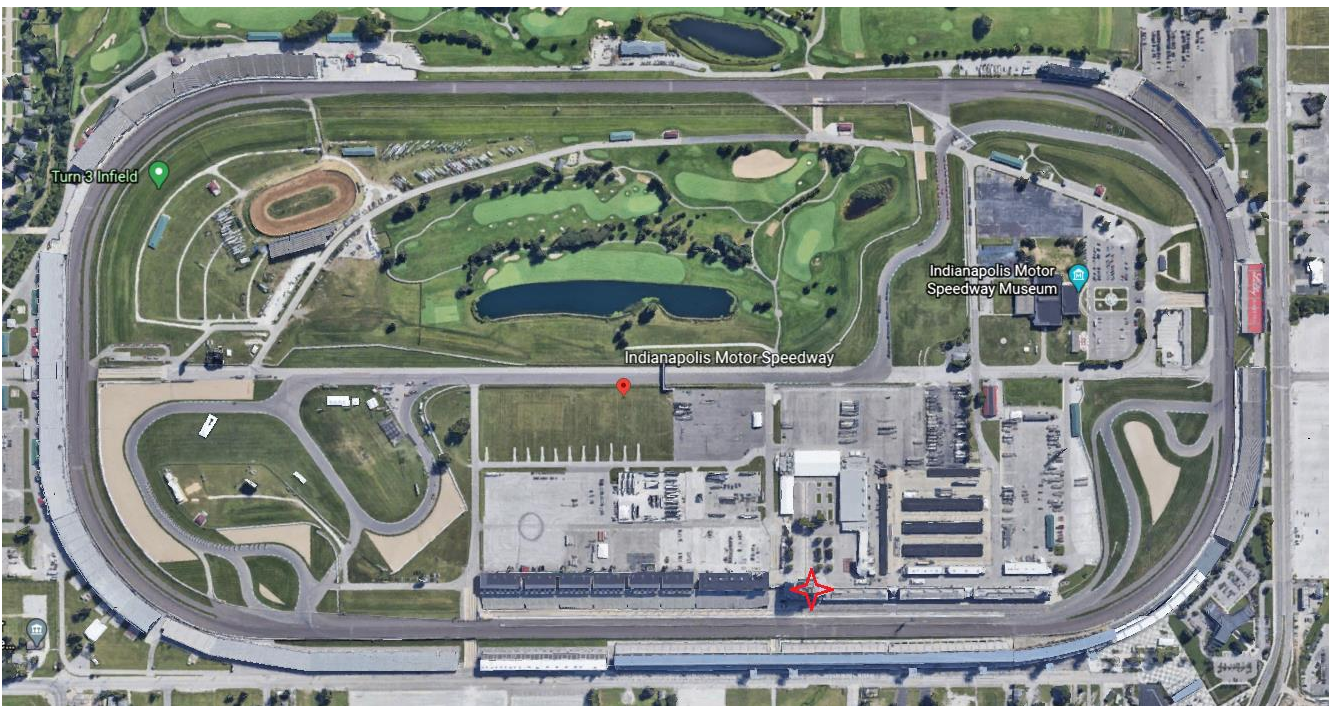
3. Texas Motor Speedway





4. Indianapolis Motor Speedway

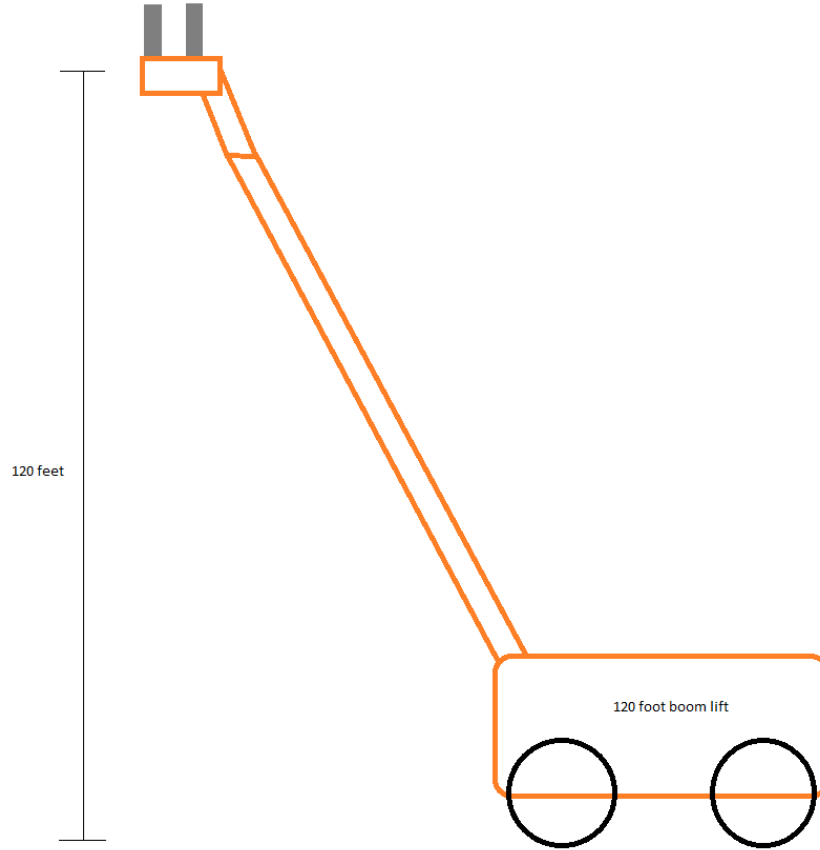




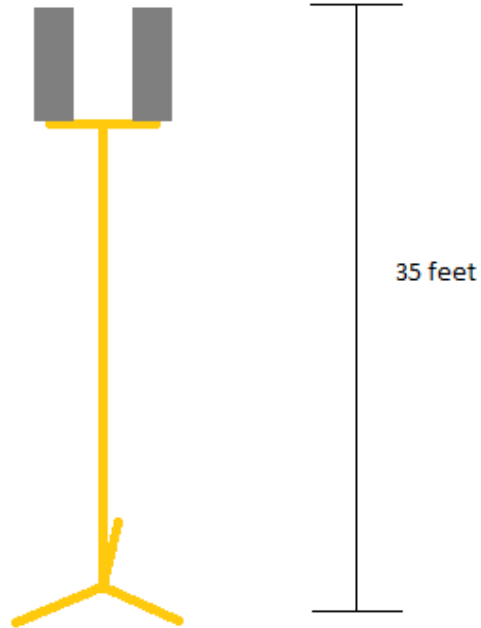
5. Belle Isle, Detroit



5.1 Site # 1



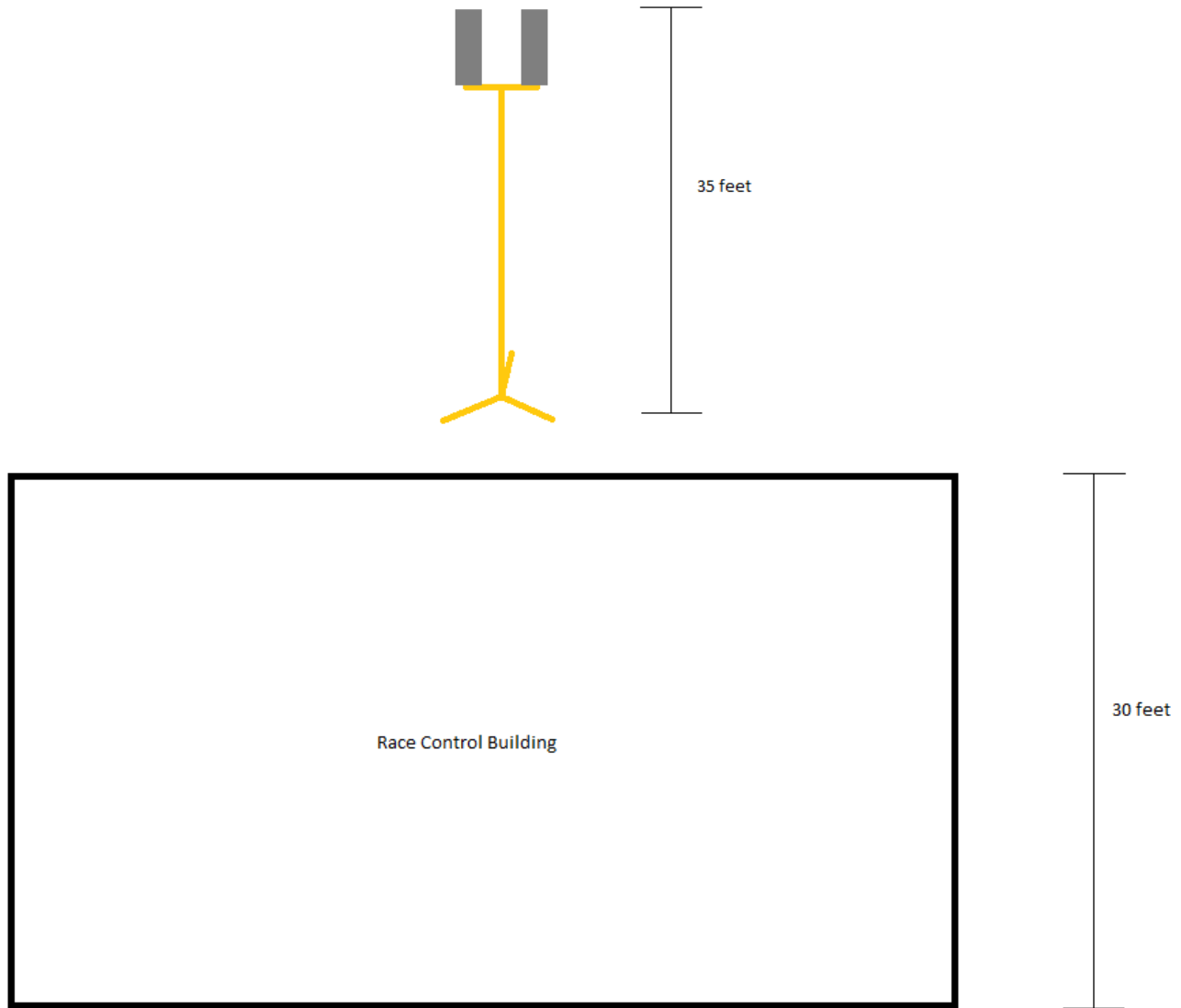
5.2 Site # 2



6. Road America

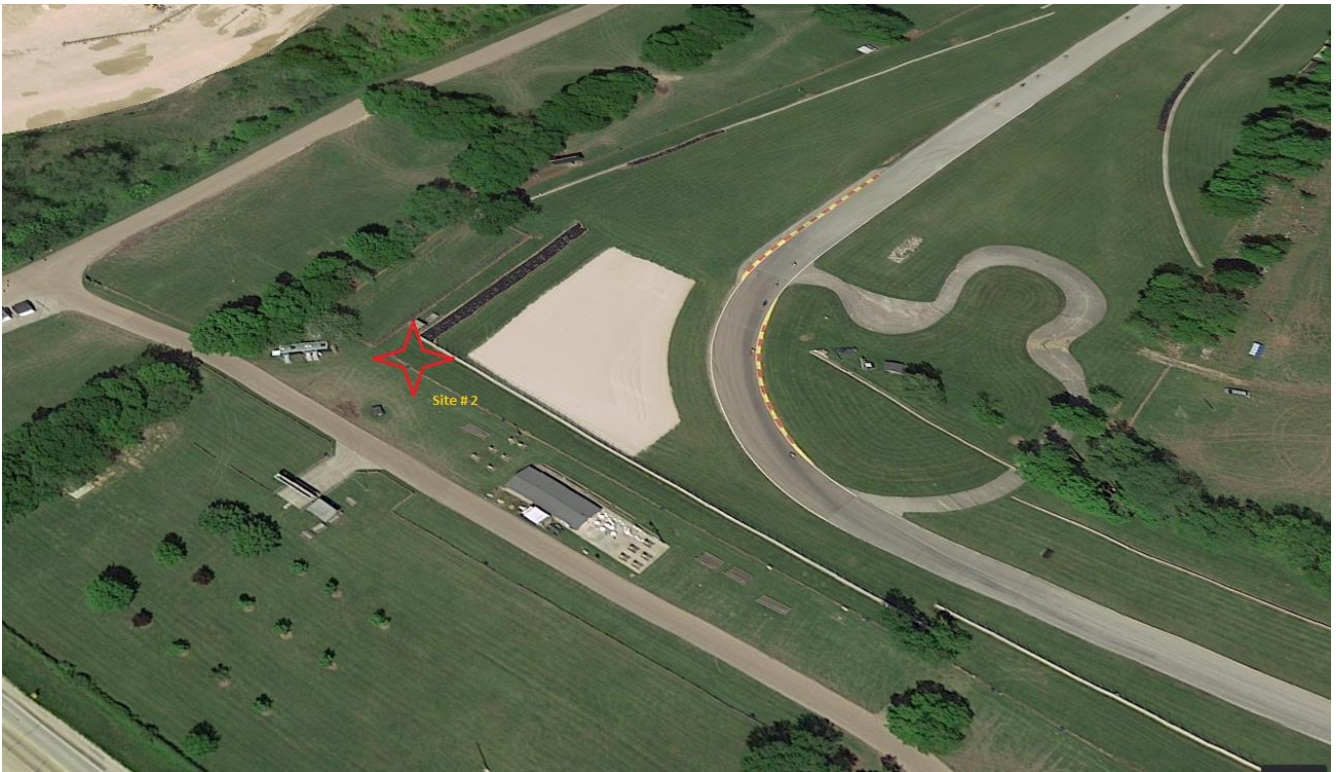
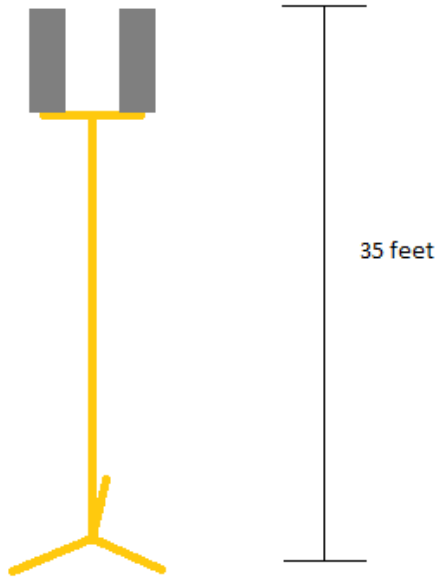


6.1 Site # 1

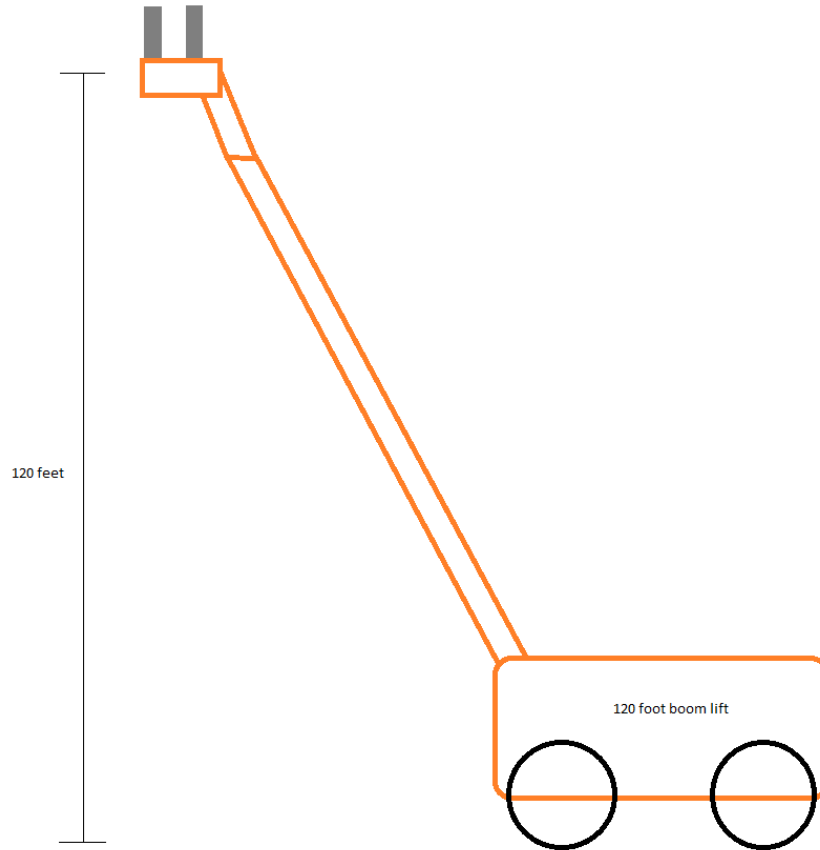




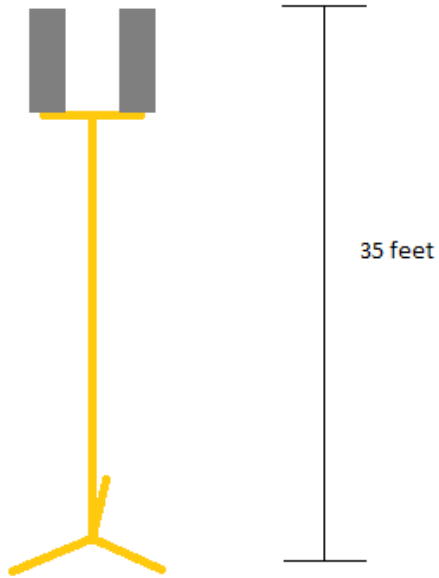
6.2 Site # 2



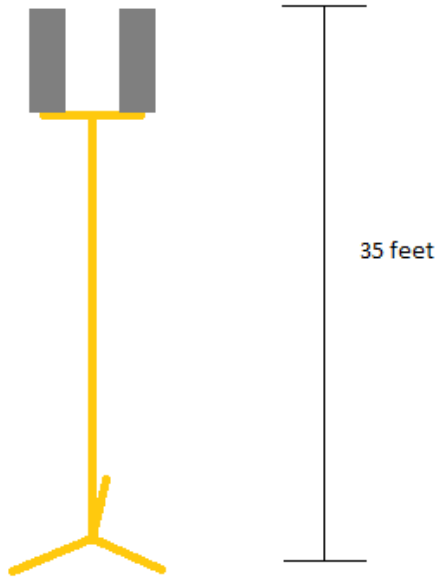
6.2 Site # 3



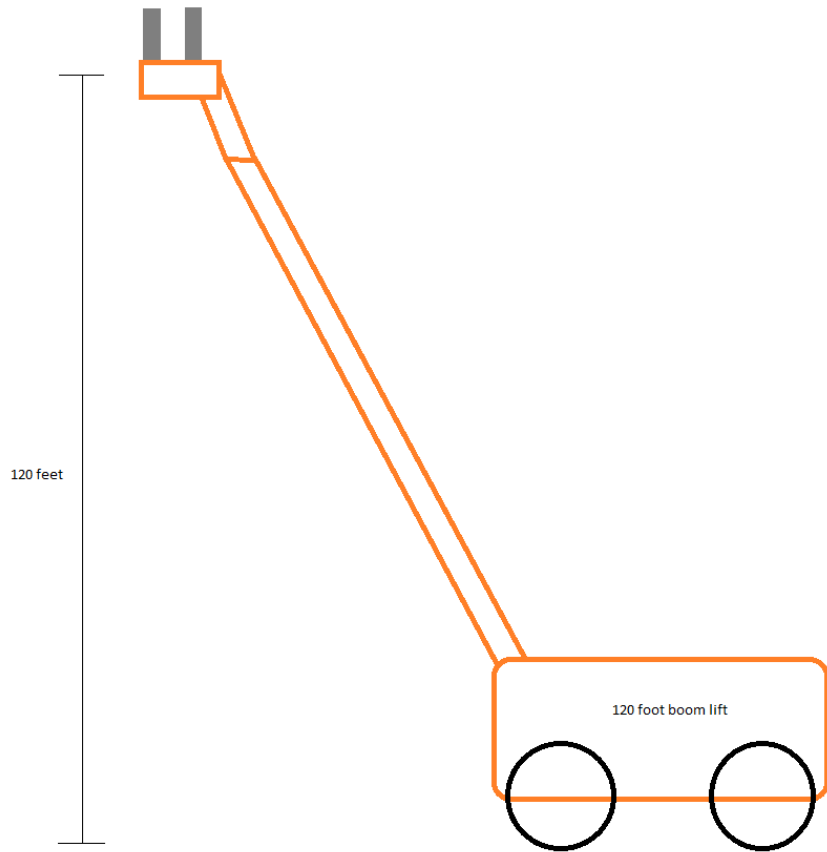
6.4 Site # 4

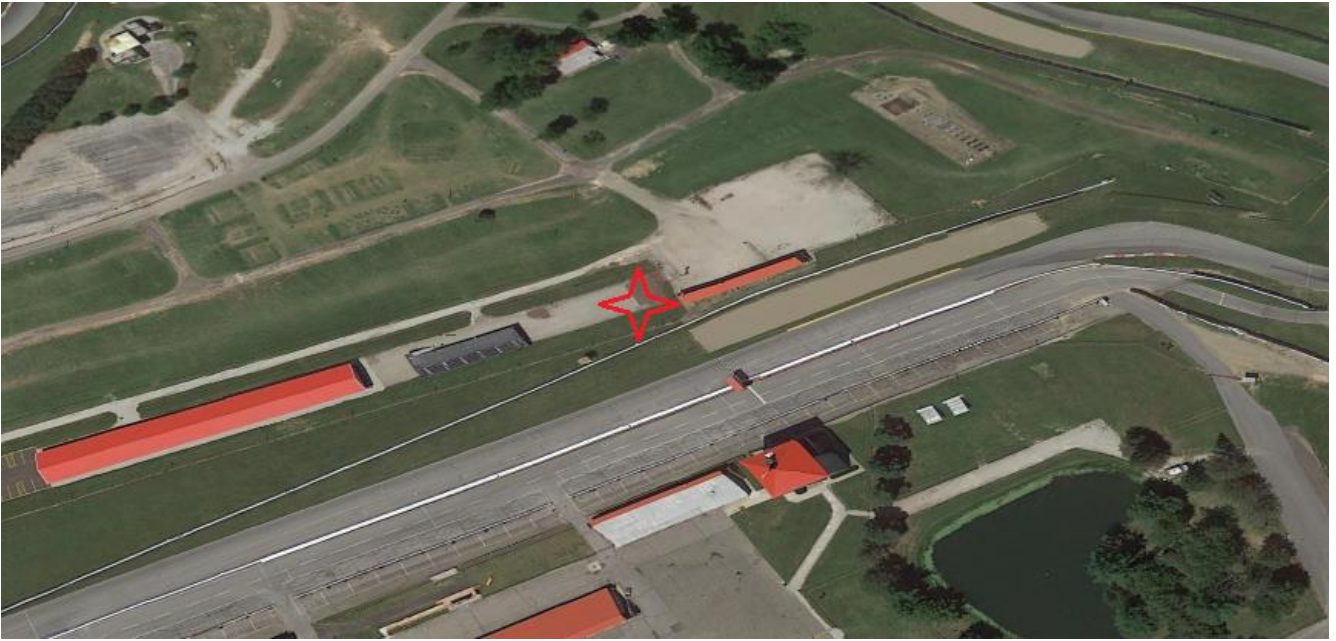


6.5 Site # 5

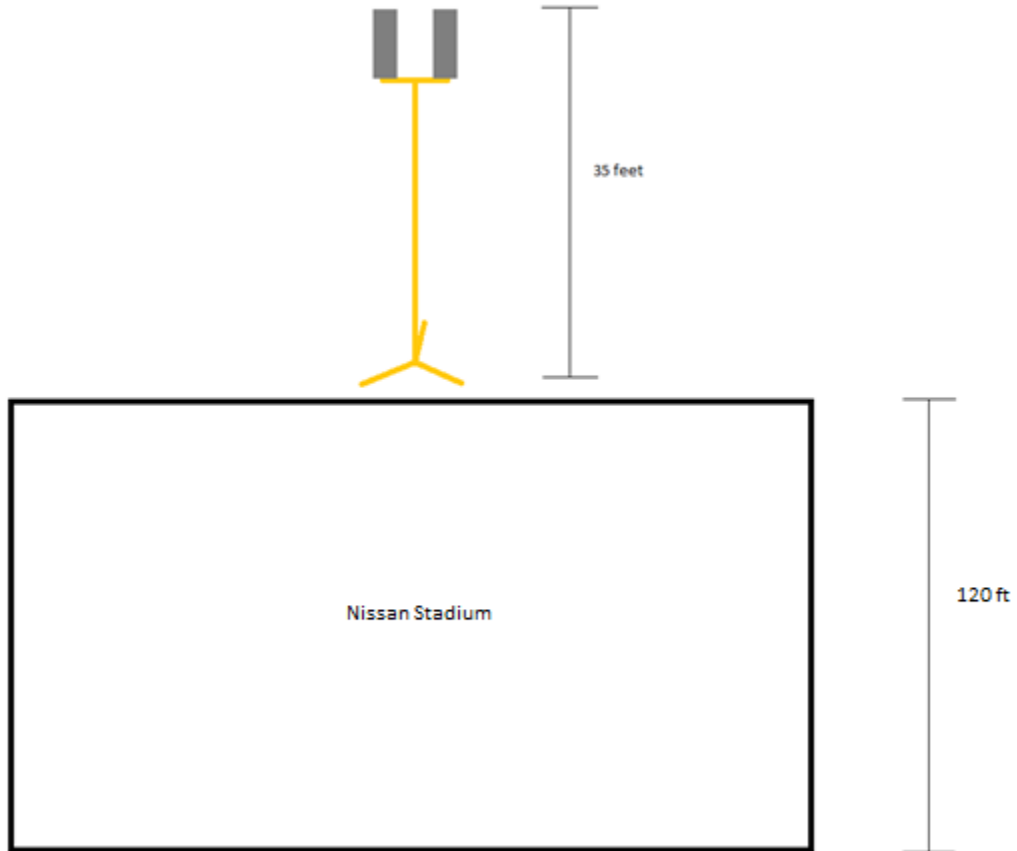


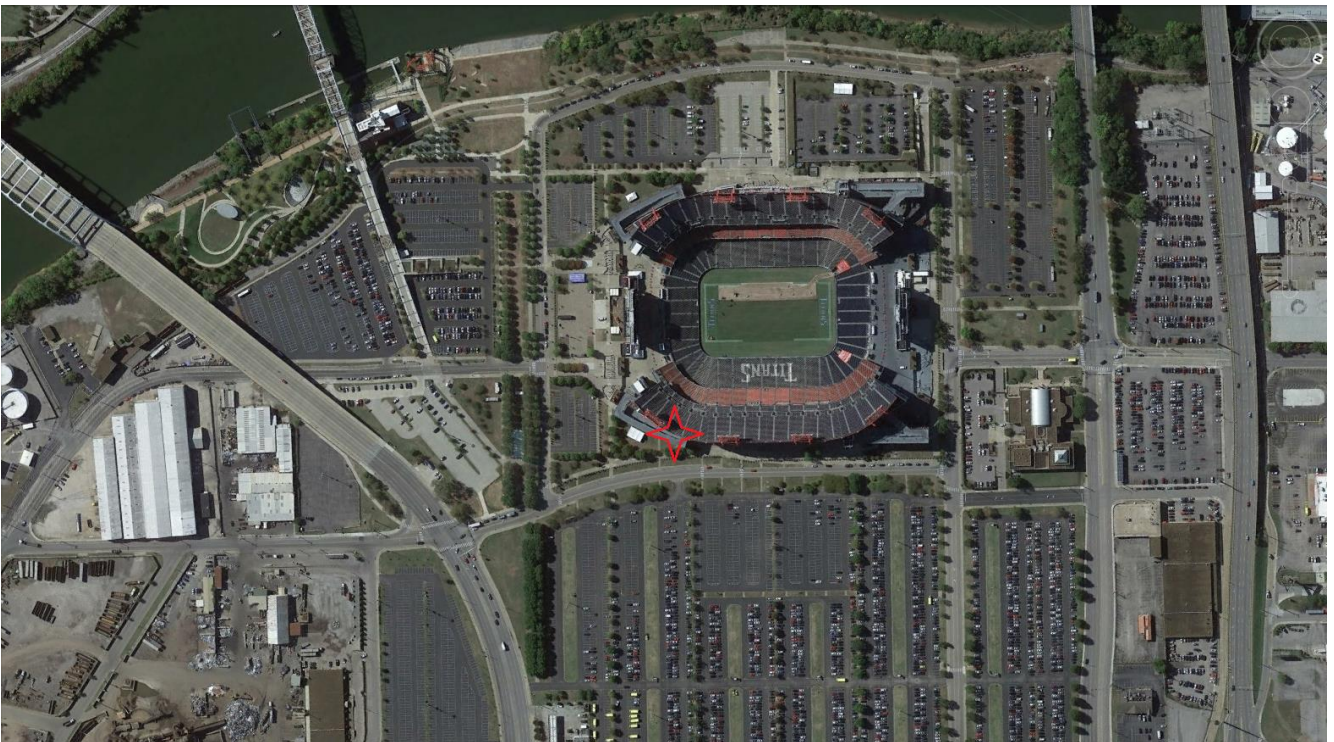
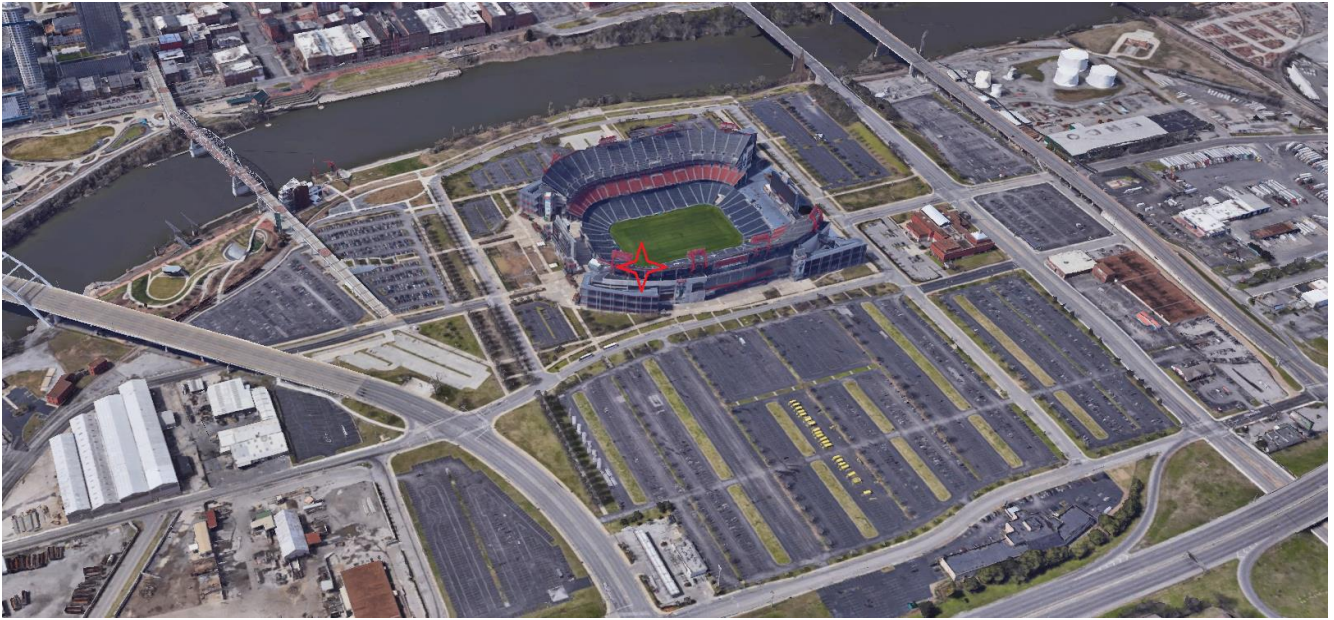
7. Mid-Ohio



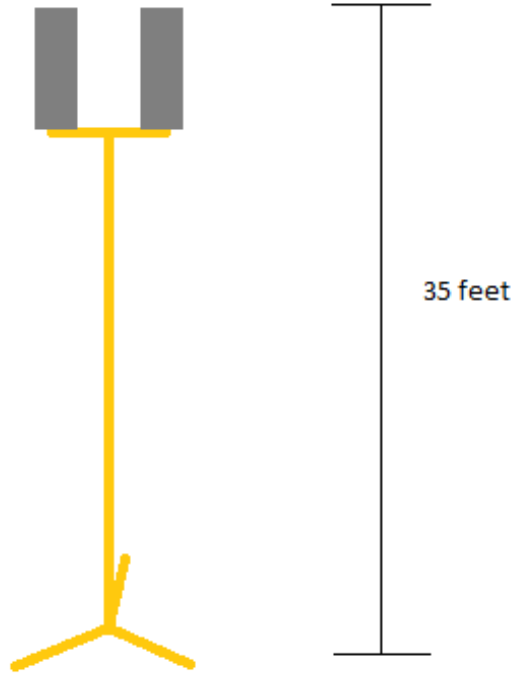


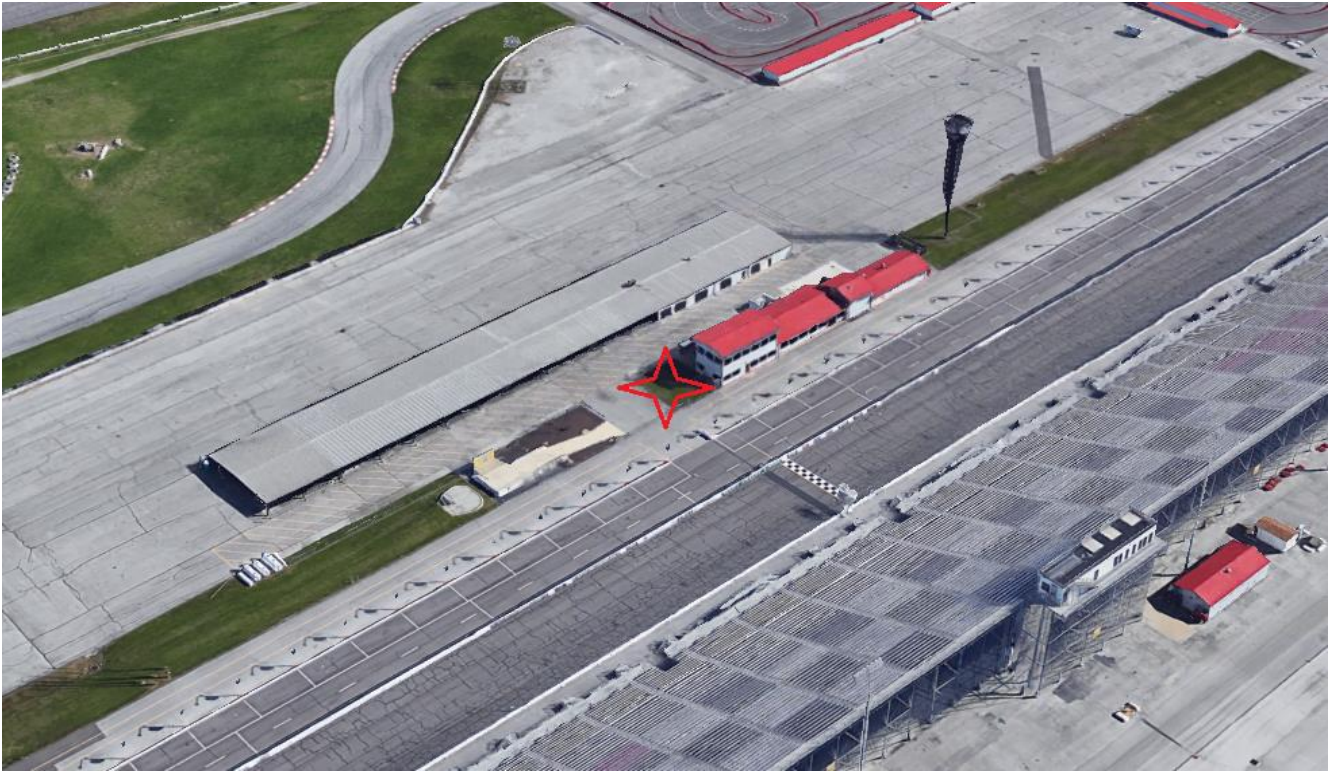
8. Nashville



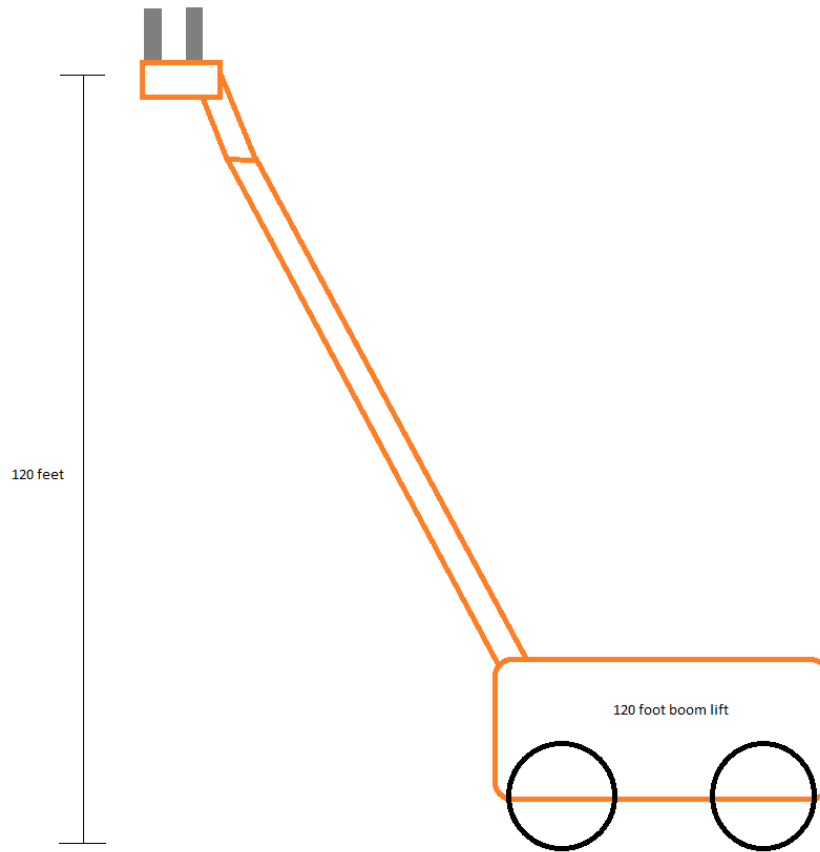


9. Gateway





10. Portland

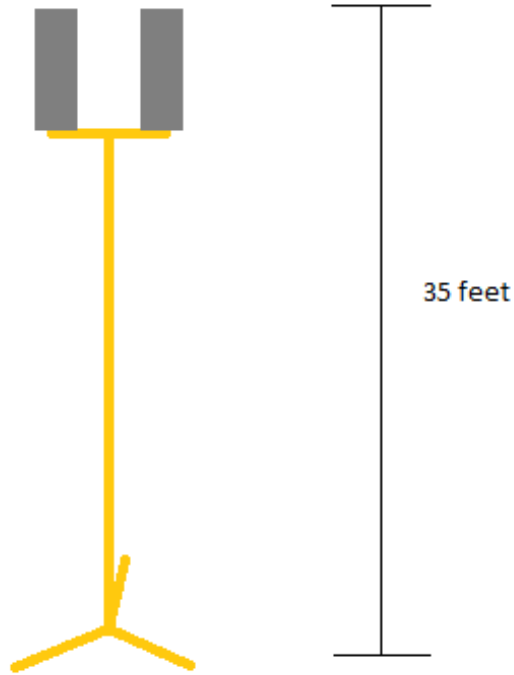




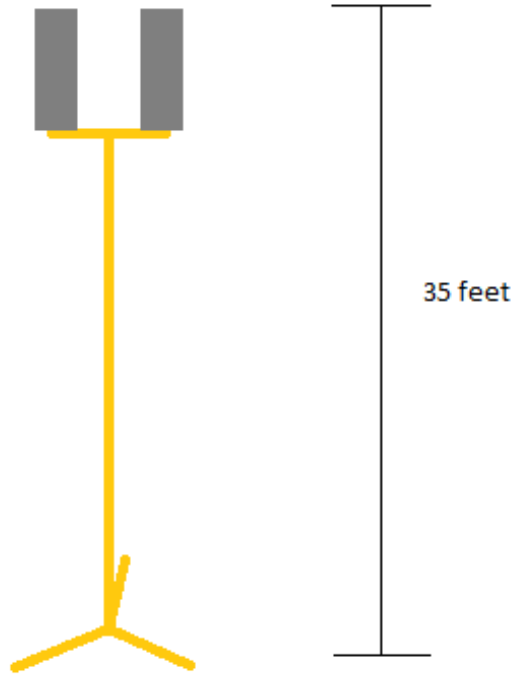
11. Laguna Seca



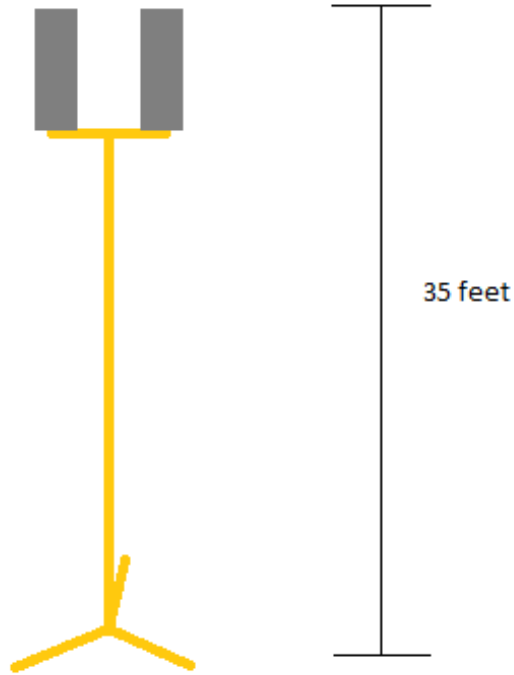
11.1 Site # 1



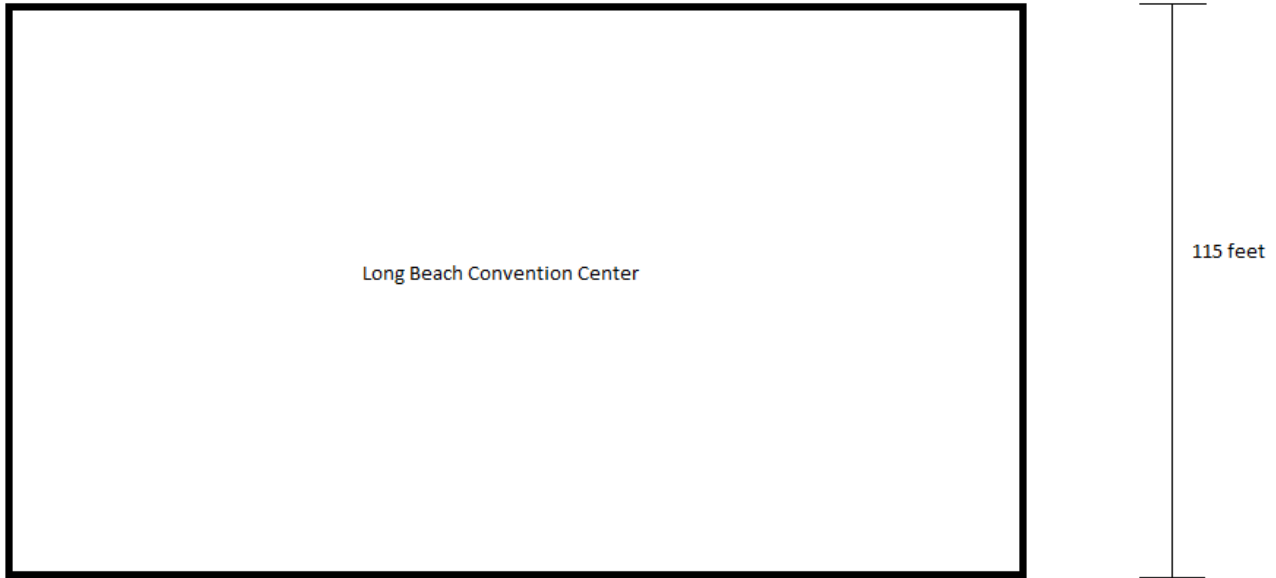
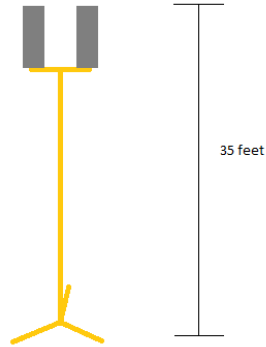
11.2 Site # 2

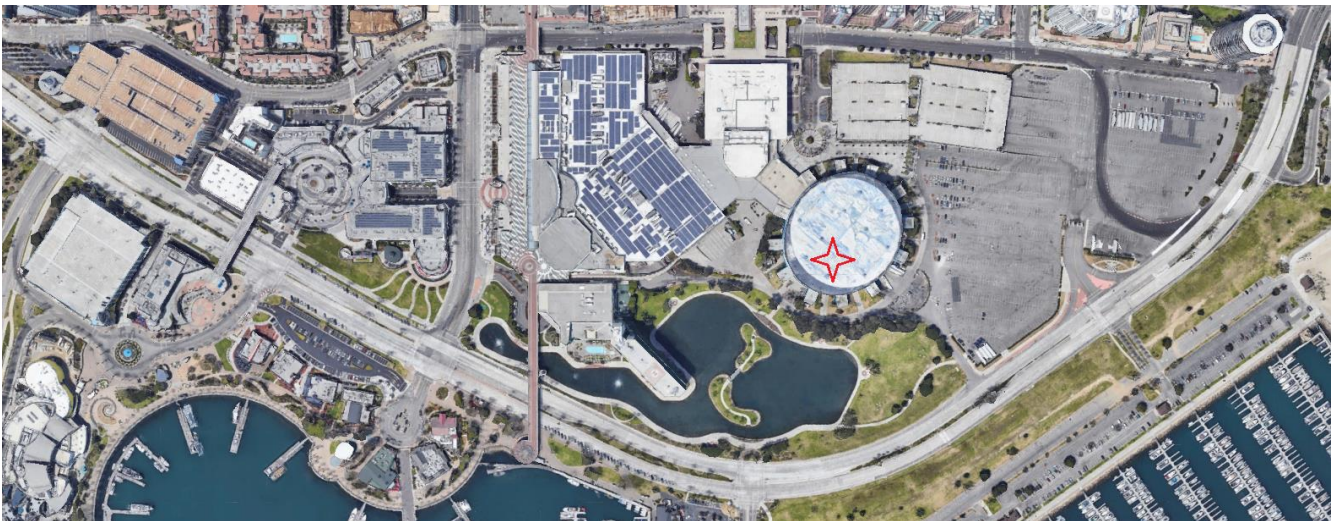


11.3 Site # 3



12. Long Beach





13. Iowa

