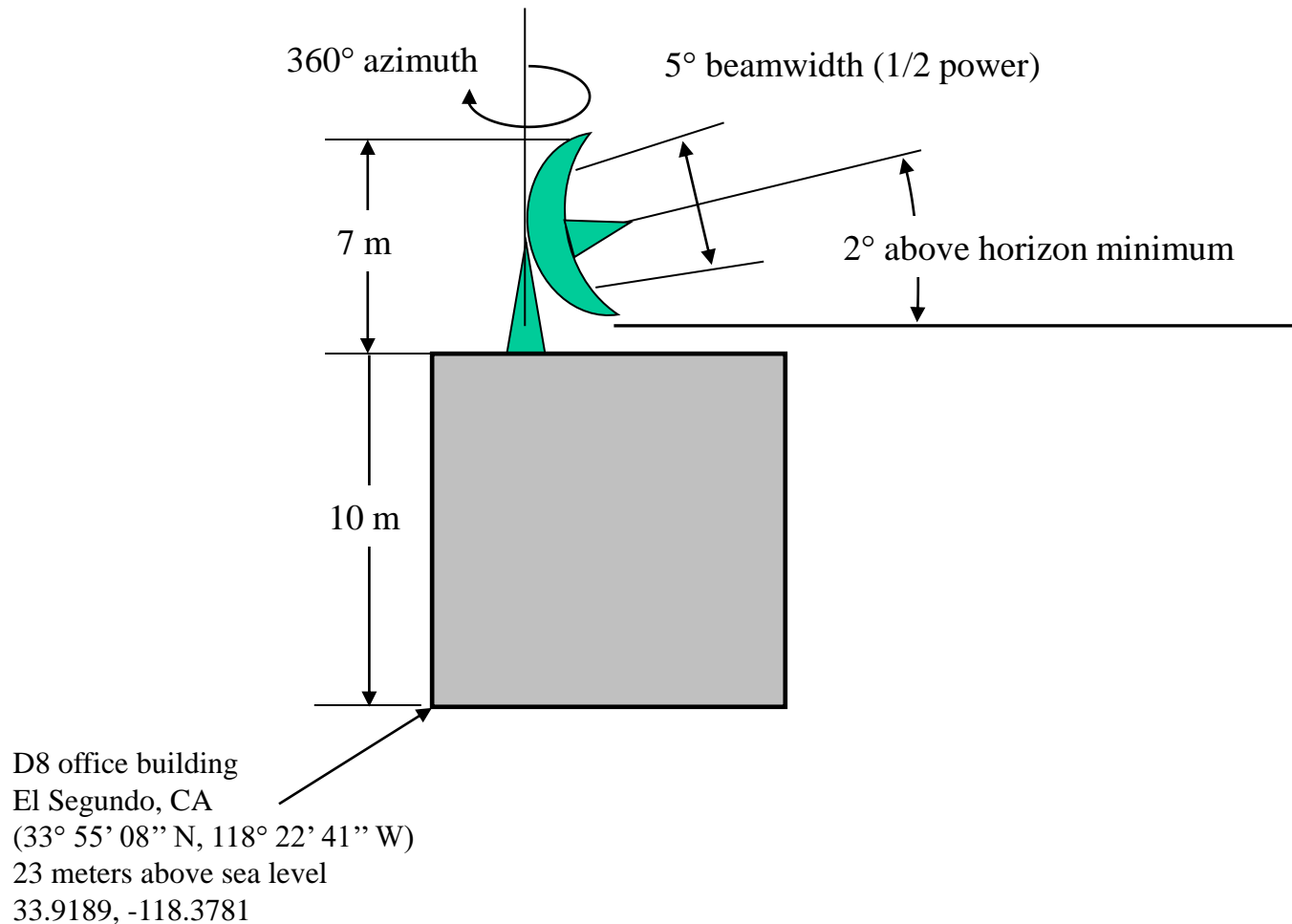
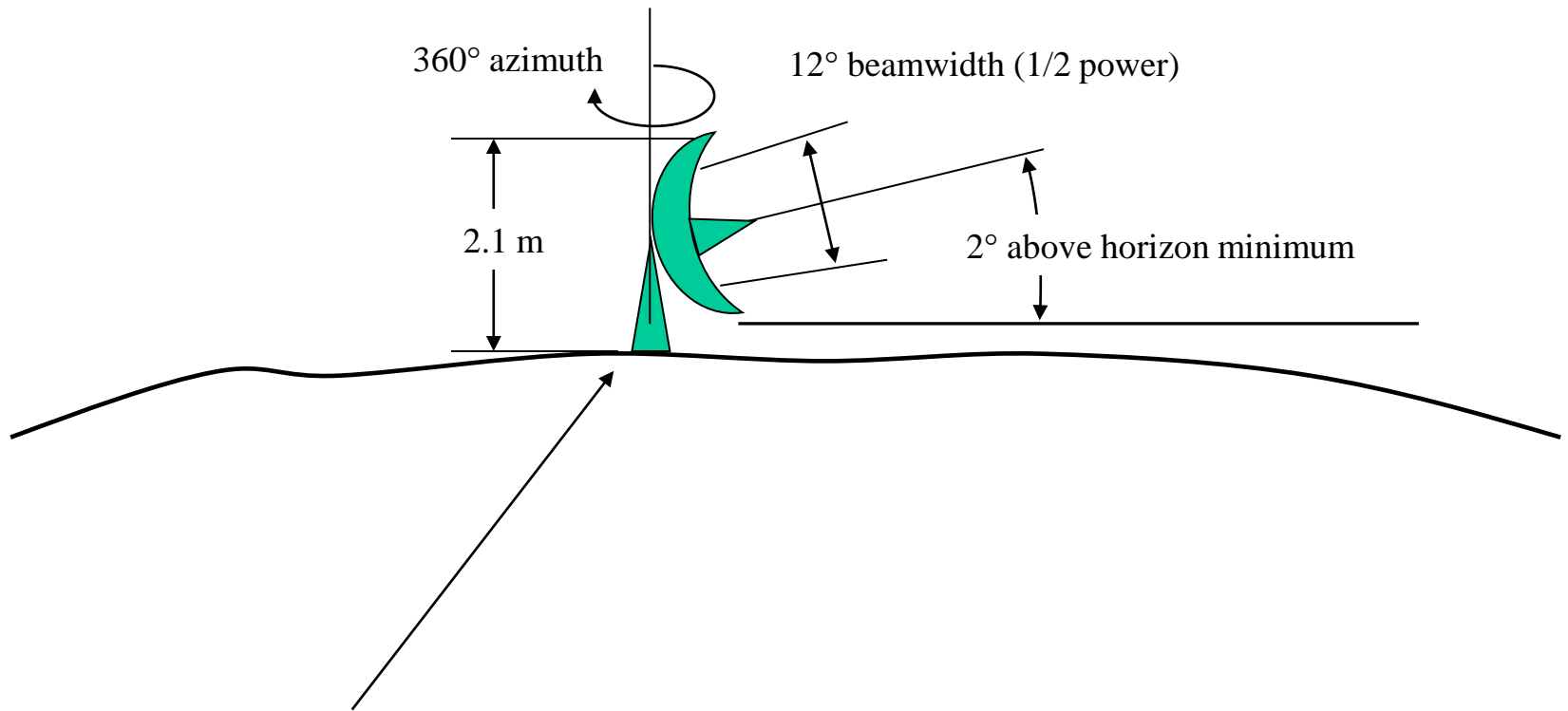


1) El Segundo antenna

Beam Characteristics and FAA sketch

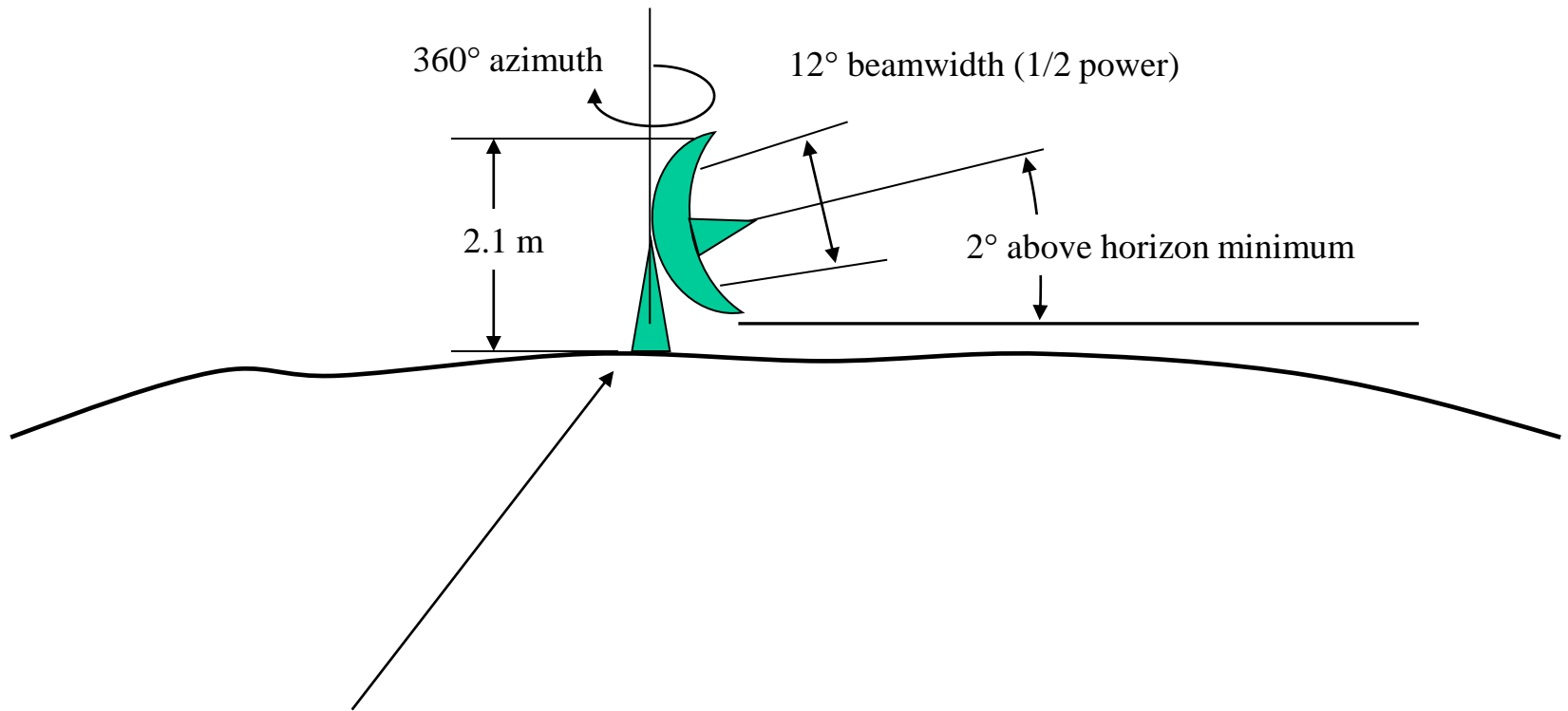


2) Texas A&M antenna Beam Characteristics and FAA sketch



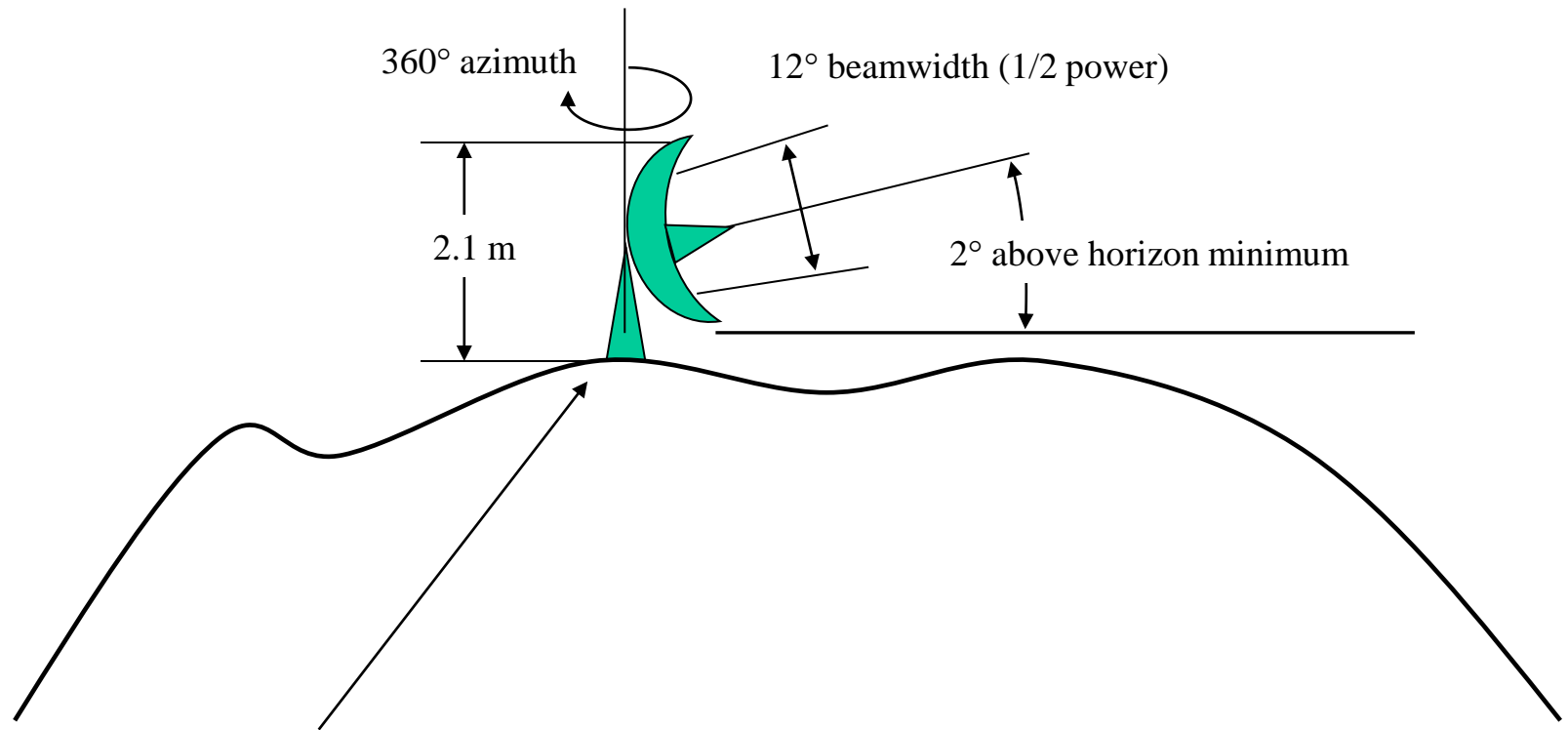
College Station, Texas
(30° 38' 35" N, 96° 28' 21" W)
107 meters above sea level
30.6431, -96.4725

3) University of Florida, Gainesville, FL Beam Characteristics and FAA sketch



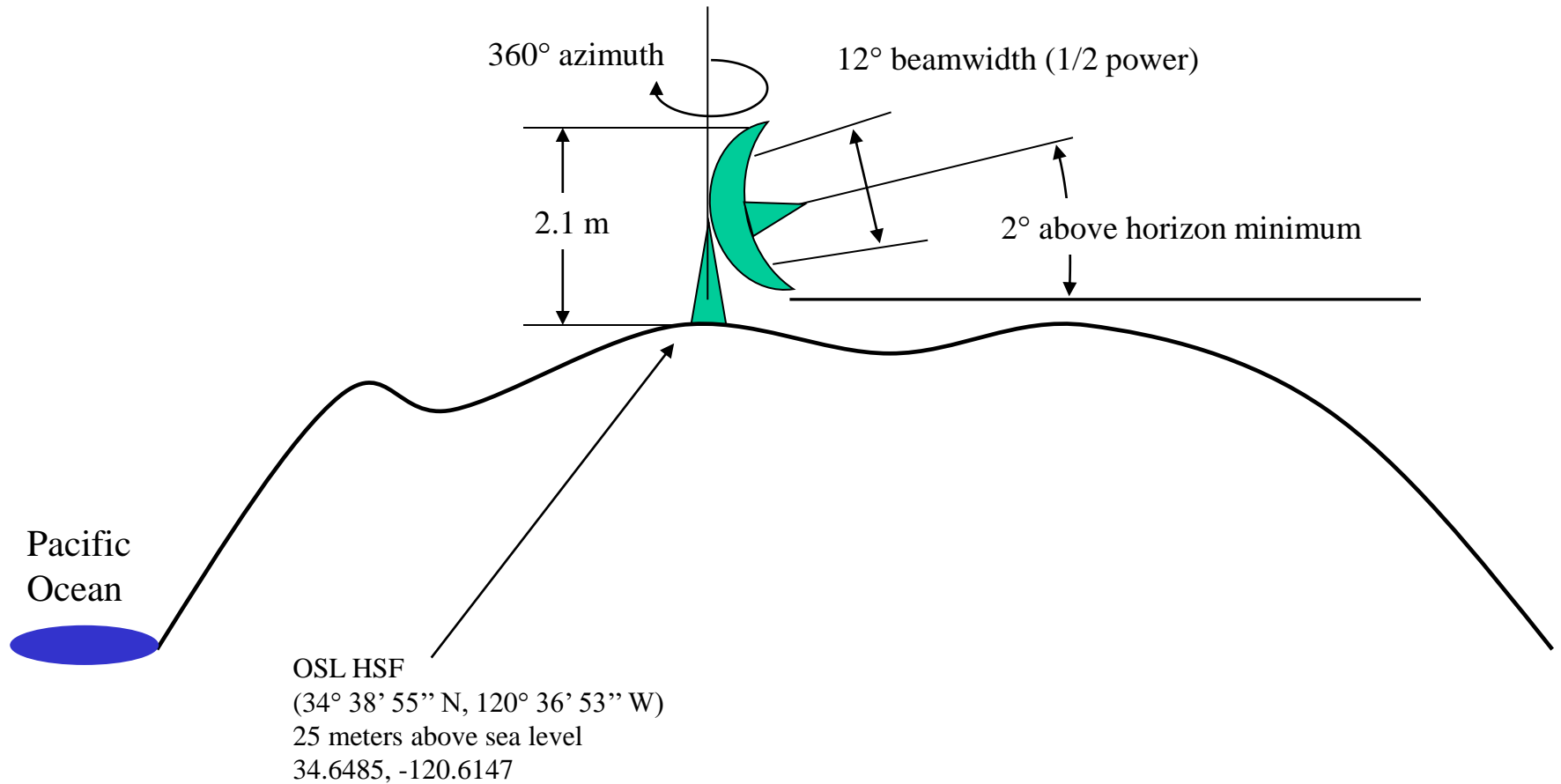
Gainesville, Florida
(29° 37' 37" N, 82° 21' 39" W)
36 meters above sea level
29.6268, -82.3607

4) Mt. Wilson, CA Beam Characteristics and FAA sketch

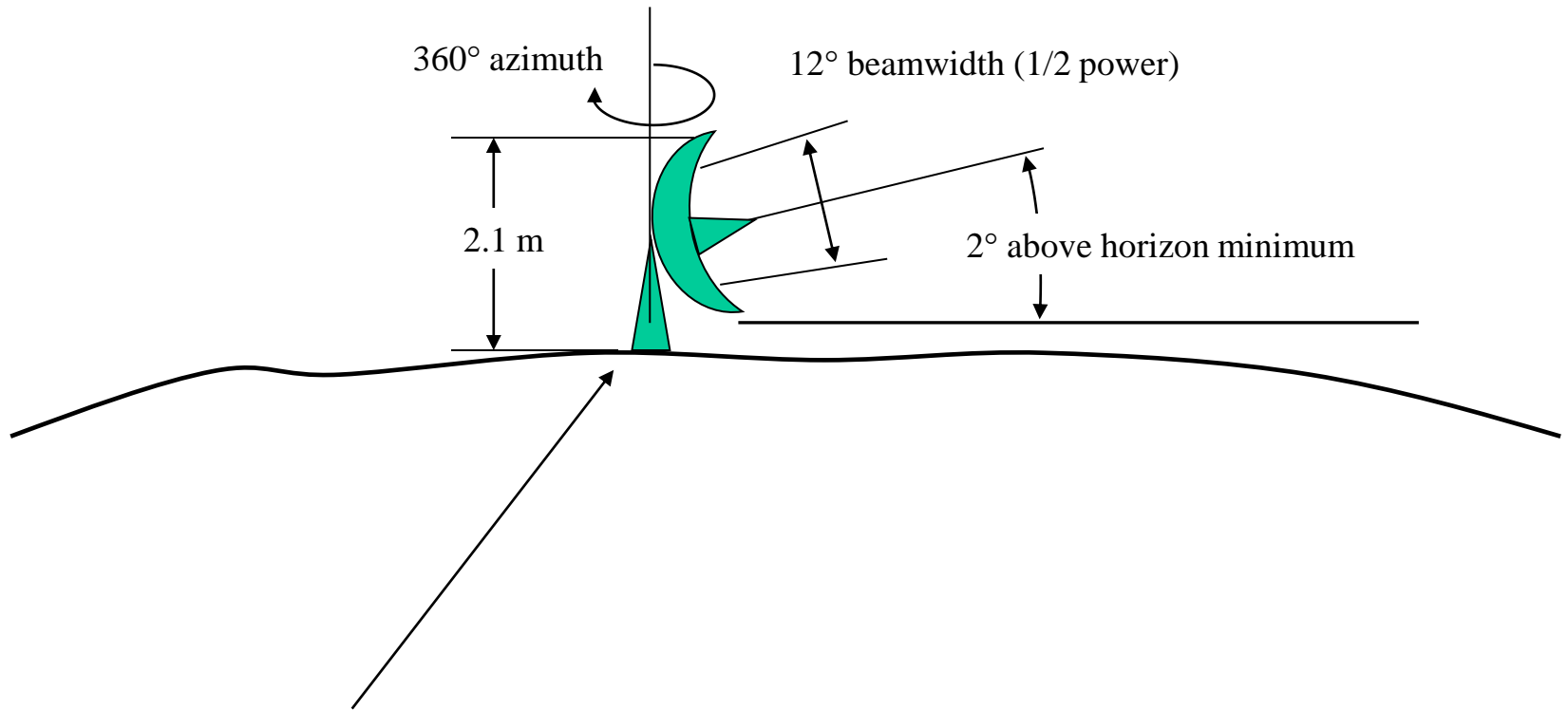


Mt. Wilson Observatory
Mt. Wilson, CA
(34° 13' 29" N, -118° 3' 22" W)
1736 meters above sea level
34.2247, -118.0561

5) USAF Base, Vandenberg, CA Beam Characteristics and FAA sketch

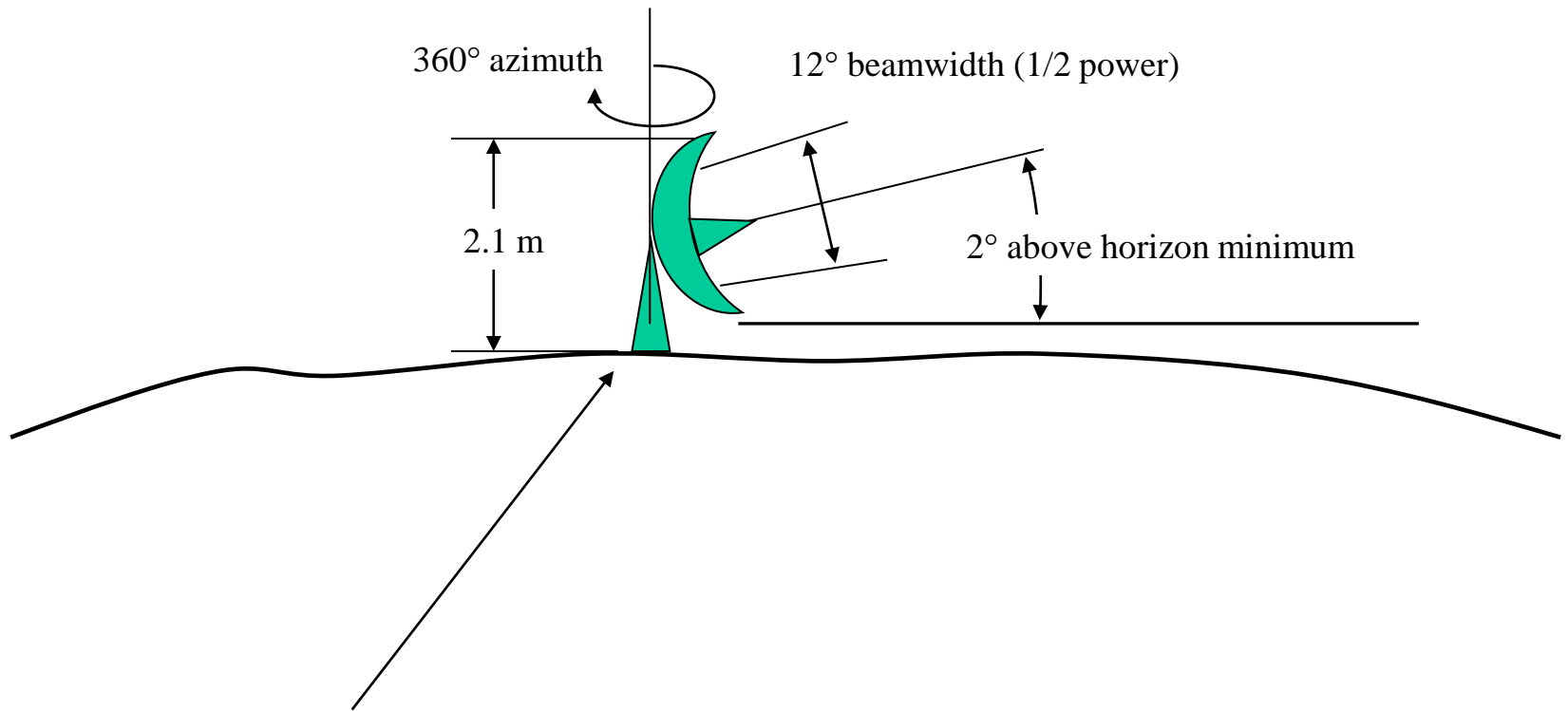


6) AFRL/RDSM, Kihei, Maui, HI Beam Characteristics and FAA sketch



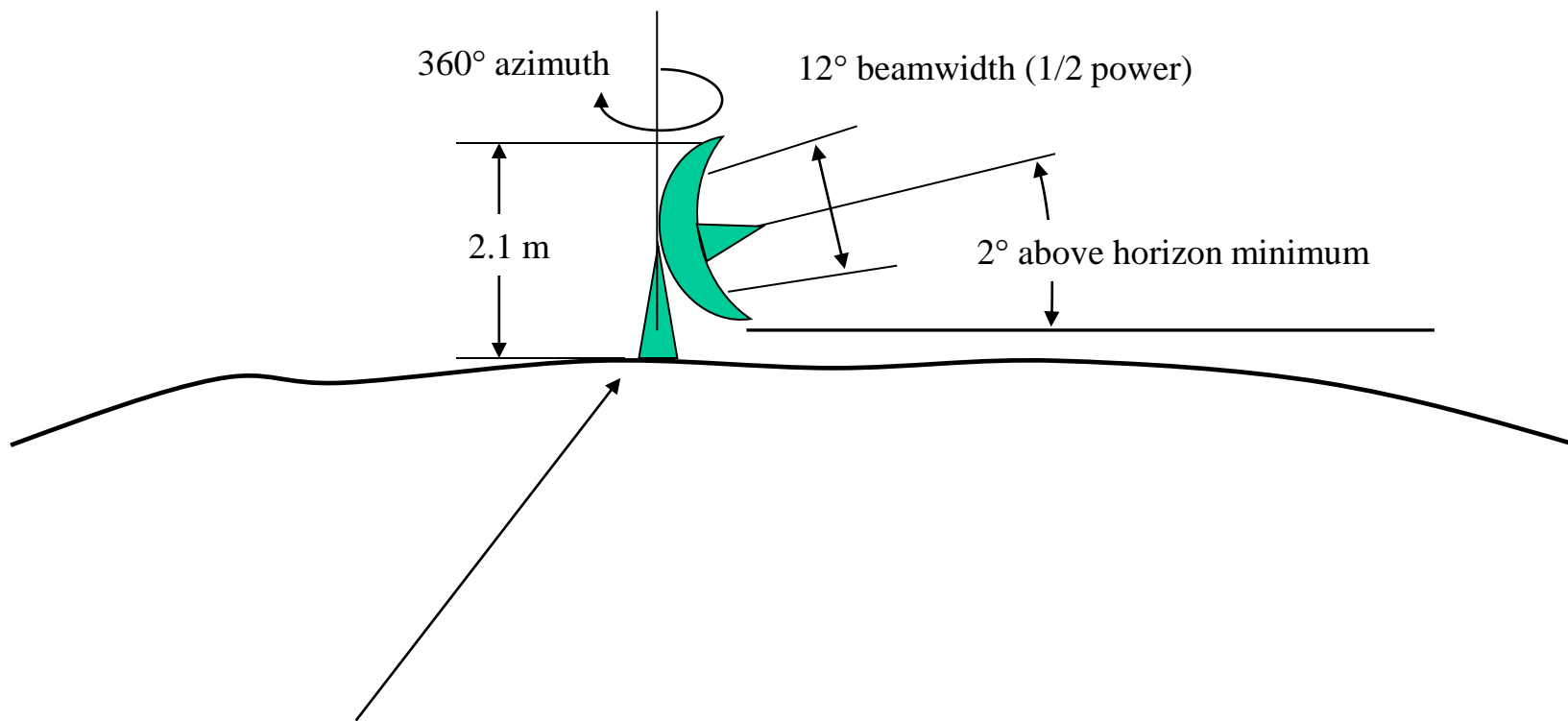
Kihei, HI
(20° 44' 48" N, 156° 25' 53" W)
10 meters above sea level
20.7466, -156.4315

7) University of Minnesota, Ash River, Minnesota Beam Characteristics and FAA sketch



Ash River, Minnesota (Nova Far facility)
(48° 22' 45" N, 92° 49' 56" W)
372 meters above sea level
48.3792, -92.8322

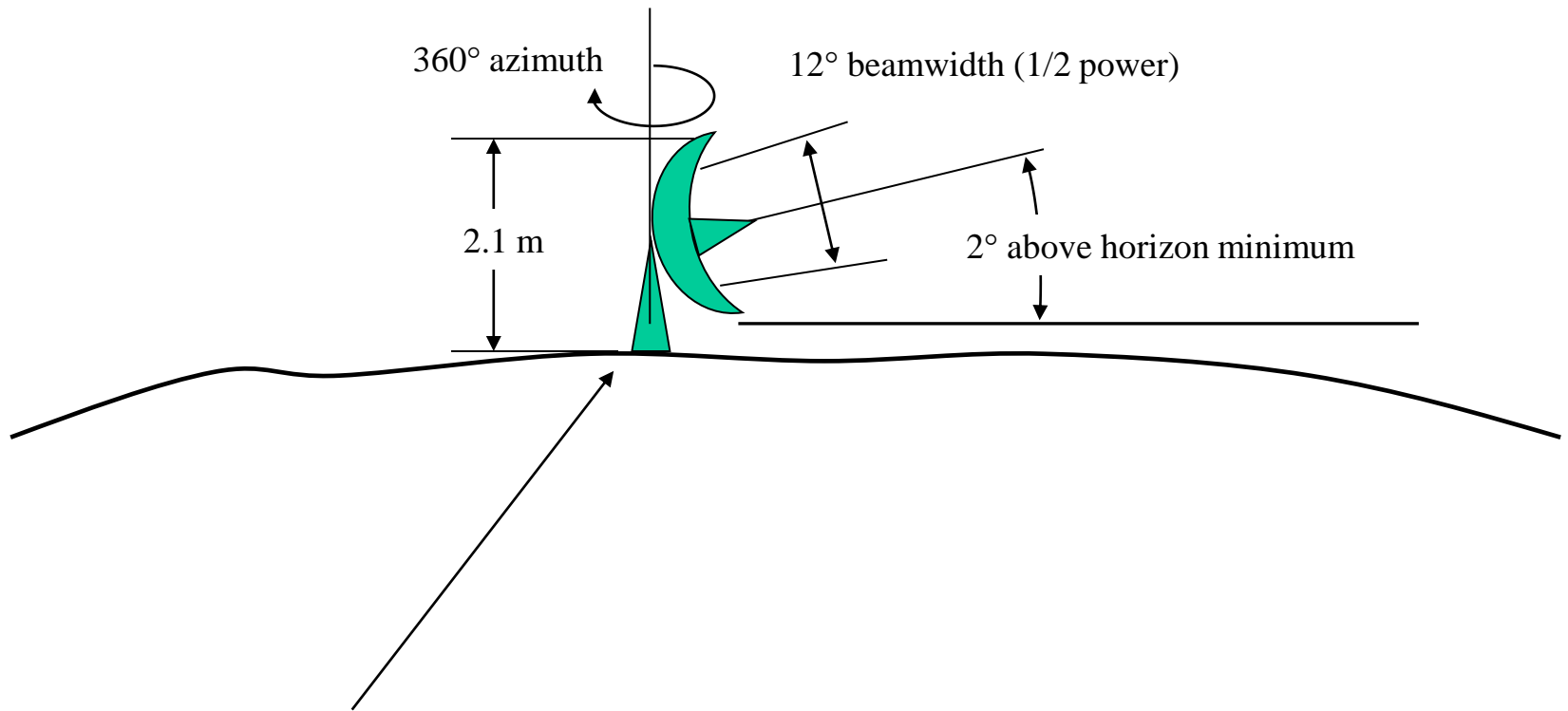
8) LDA, Limestone, ME Beam Characteristics and FAA sketch



Limestone, ME
(46° 56' 28" N, 67° 53' 58" W)
159 meters above sea level
46.9410, -67.8995

9) Fairchild AFB, Spokane WA

Beam Characteristics and FAA sketch



Spokane WA
(47° 38' 05'' N, 117° 37' 58'' W)
562 meters above sea level
47.6346, -117.6328