

SPECIFICATION

Part No. : **WLP.2450.25.4.A.02**

Specification No : DA2450C

Product Name : 2450MHz Patch Antenna

Features : 25mm*25mm*4.5mm
ROHS Compliant

:



1.0 Introduction

This WLP.25 patch antenna for ISM, Wi-Fi, Bluetooth and Zigbee is based on smart *XtremeGain™* technology. It is mounted via pin and double-sided adhesive and has been selected as optimal solution for the 50*50mm ground plane. This passive patch offers typical gain response from 2.5 dBi and a higher gain can be achieved, depending on the Ground Plane, the space available and clearance afforded. The WLP.25's high gain performance is a perfect solution for metering and remote monitoring applications; it can deliver longer range than smaller chip antennas.

2.0 Key Antenna Performance Indicators

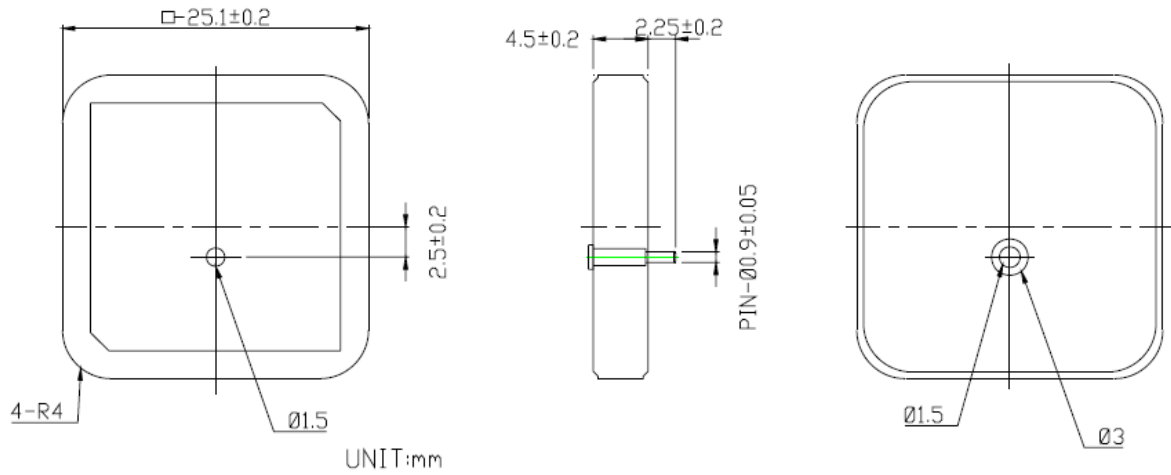
Original Patch Specification tested on 50*50mm ground plane

No	Parameter	Specification	Notes
1	Range of Receiving Frequency	2450±50Mhz	
2	Center Frequency	2482MHz	with 50*50mm GND Plane
3	Bandwidth	85 MHz min	Return Loss £-10dB
4	VSWR	1.5 max	Center Frequency
5	Gain at Zenith	+5.0dBi typ.	Center Frequency
6	Gain at 10° Elevation	-1.0dBi typ.	Center Frequency
7	Axial Ratio	3 dB Max	Center Frequency
8	Polarization	RHCP	
9	Impedance	50Ω	
10	Frequcy Temp Coefficient (Tf)	0±20ppm/°C	-40°C to +105°C
11	Operating Temperature	-40°C to +105°C	

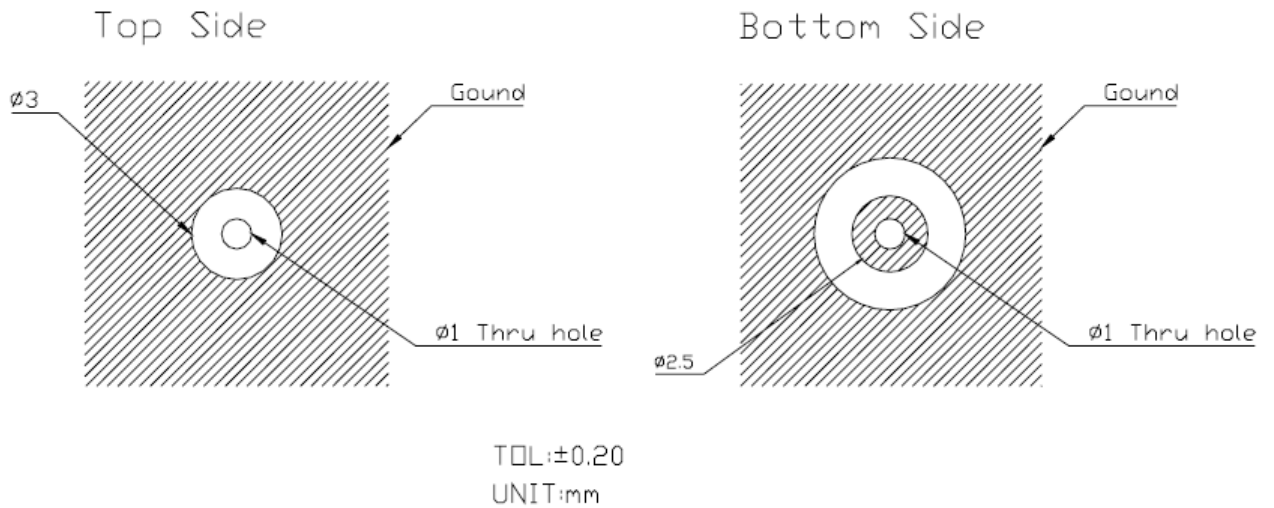
***Changes in user groundplane and environment will have an effect on the antennas performance**

3.0 Mechanical Specifications

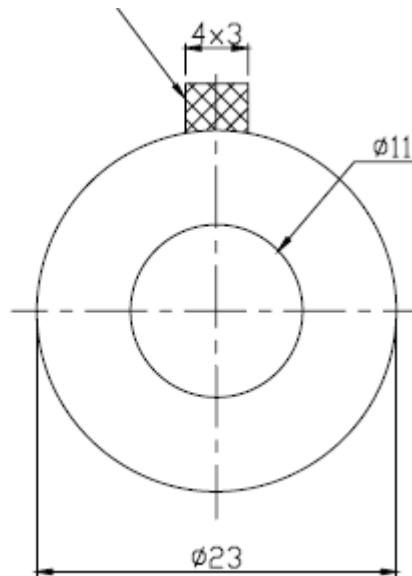
3.1 Dimensions and Drawing



3.2 Layout Dimensions



3.3 Tape Dimensions

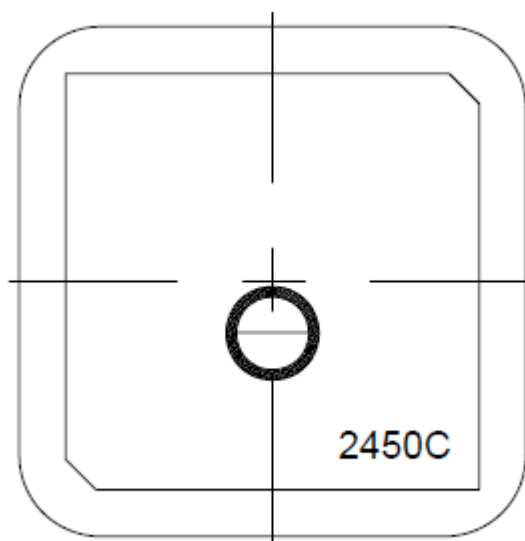


1.NITTO : NO.5015

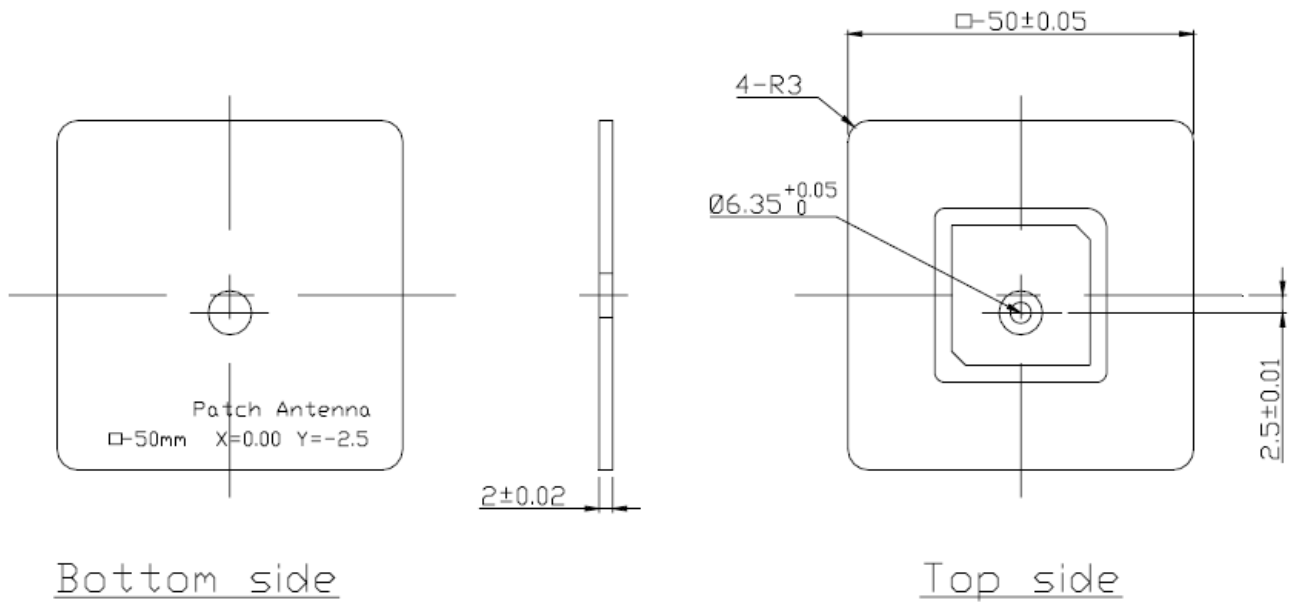
2.Double-coated adhesive tape for industrial use

3.Thickness : 0.12mm

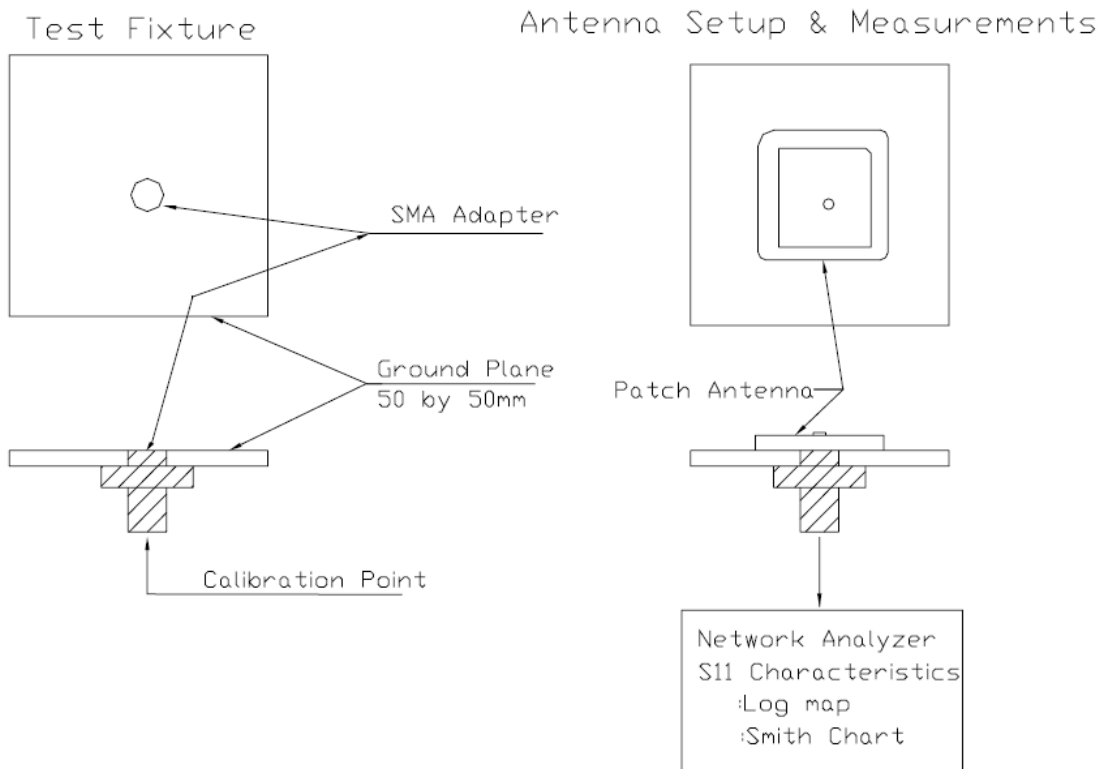
3.4 Mark



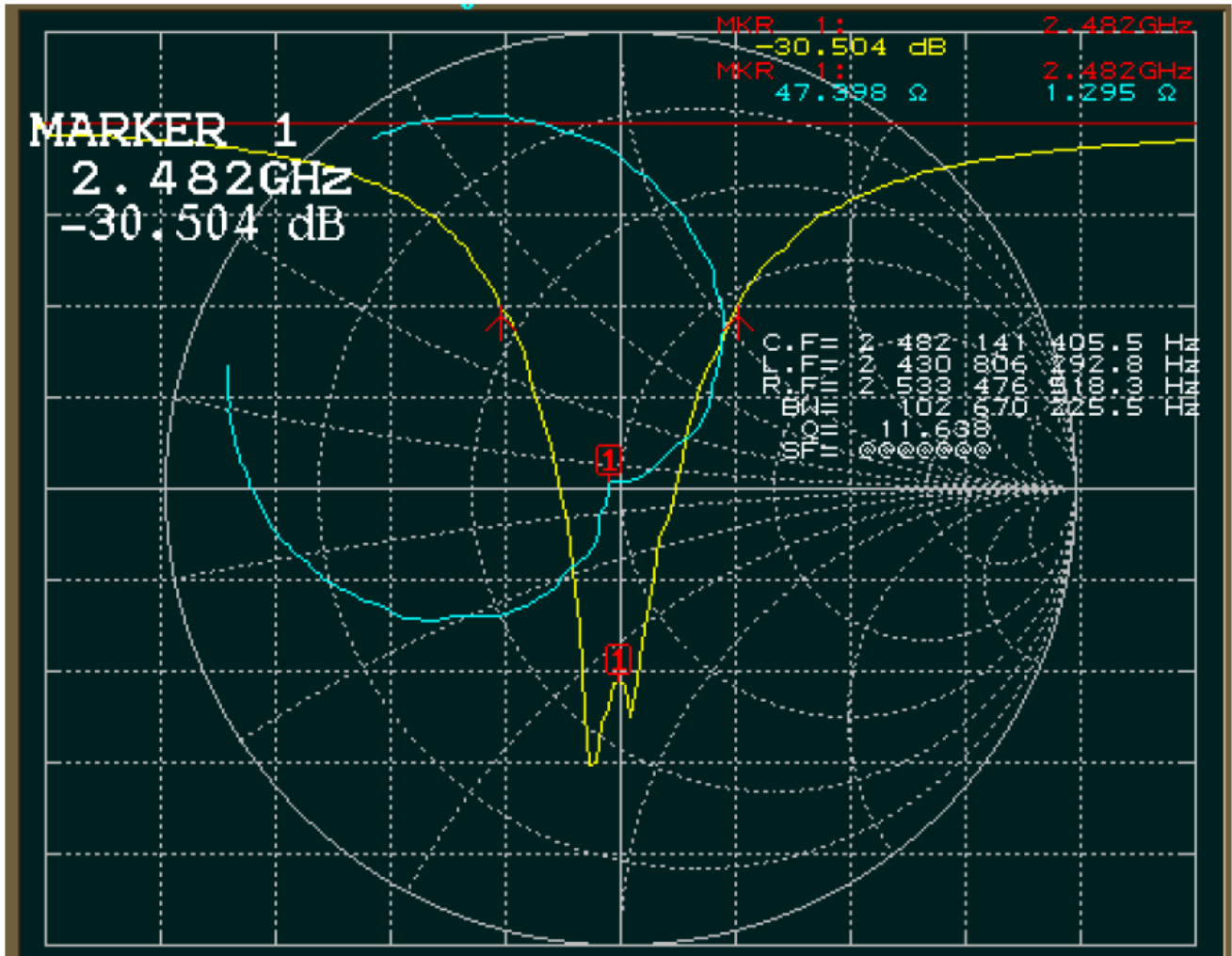
3.5 Ground Plane Dimension



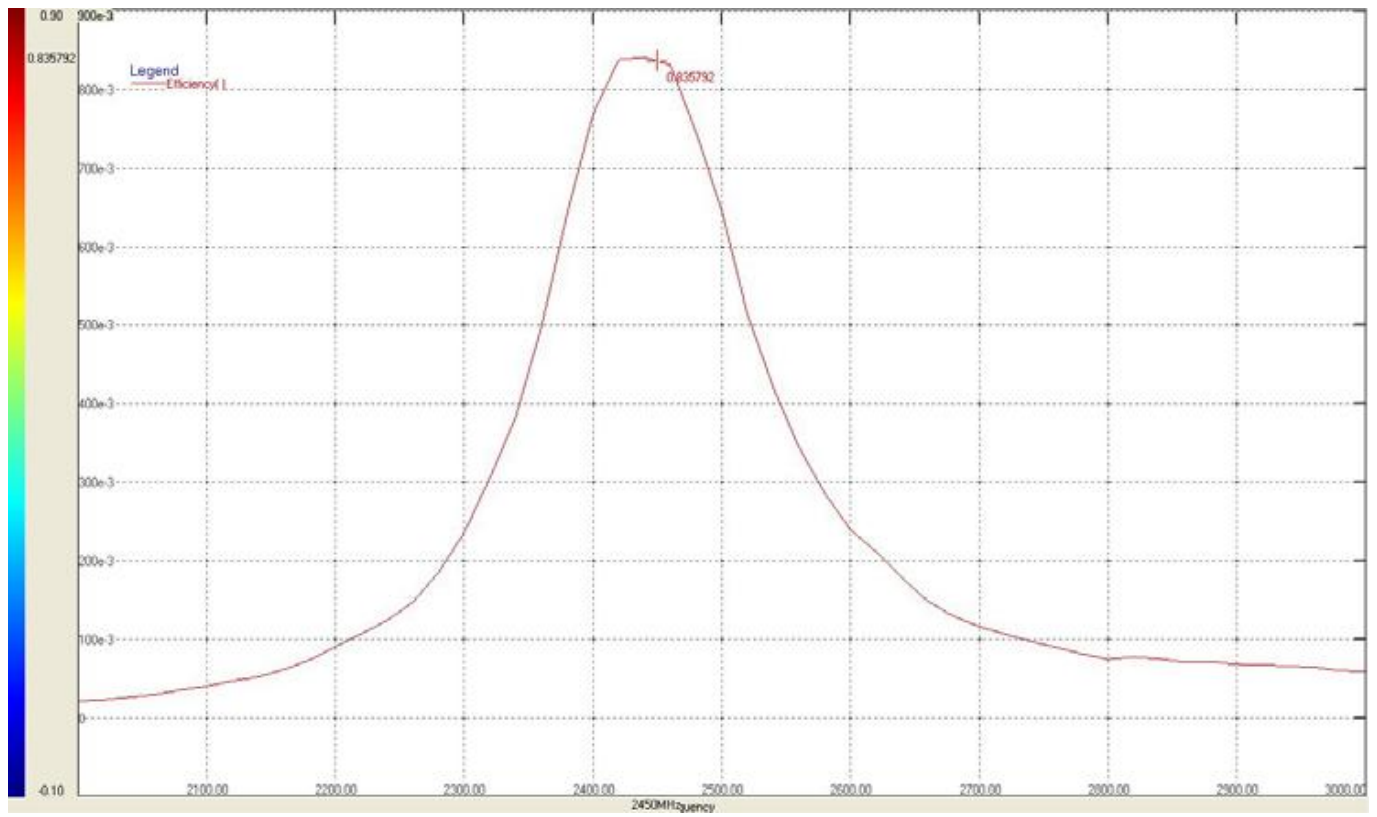
3.6 Test Fixture Antenna & Performance Measurements



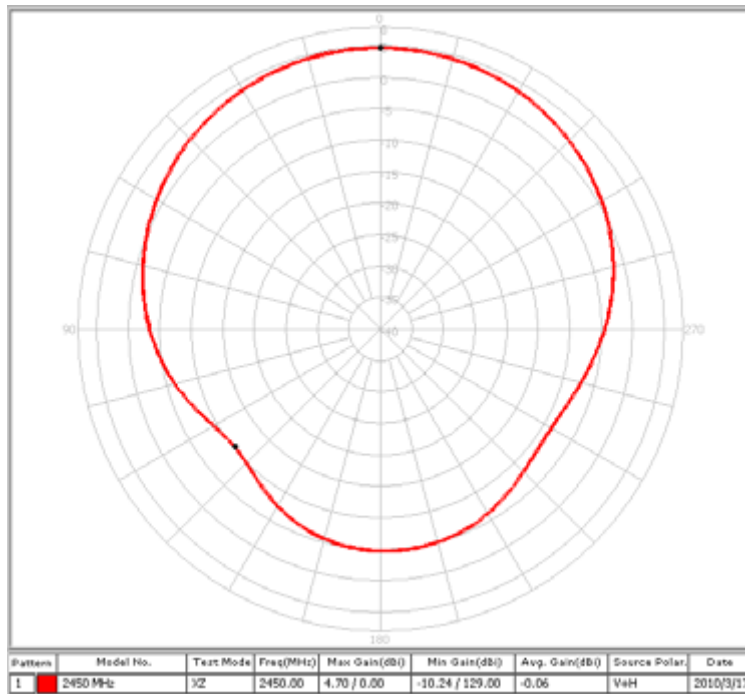
4.0 Performance Measurement



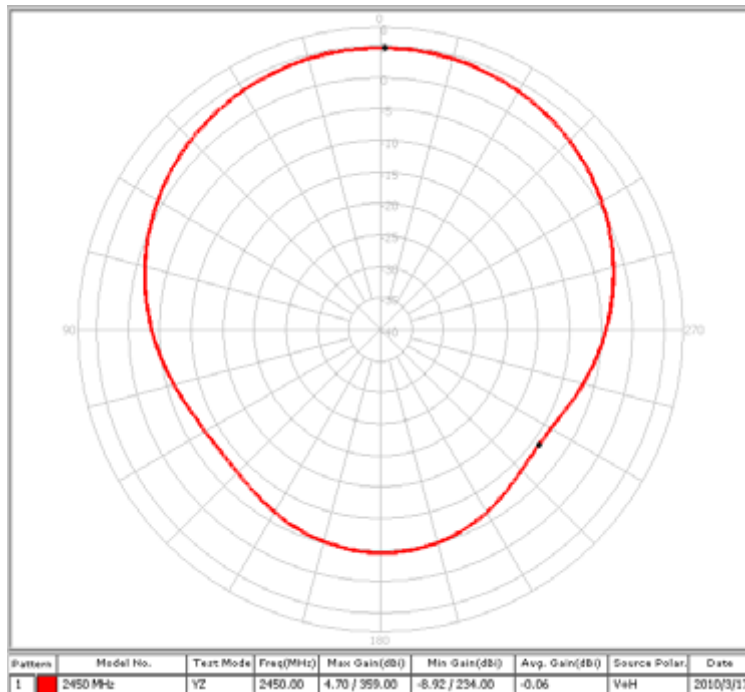
4.2 Efficiency



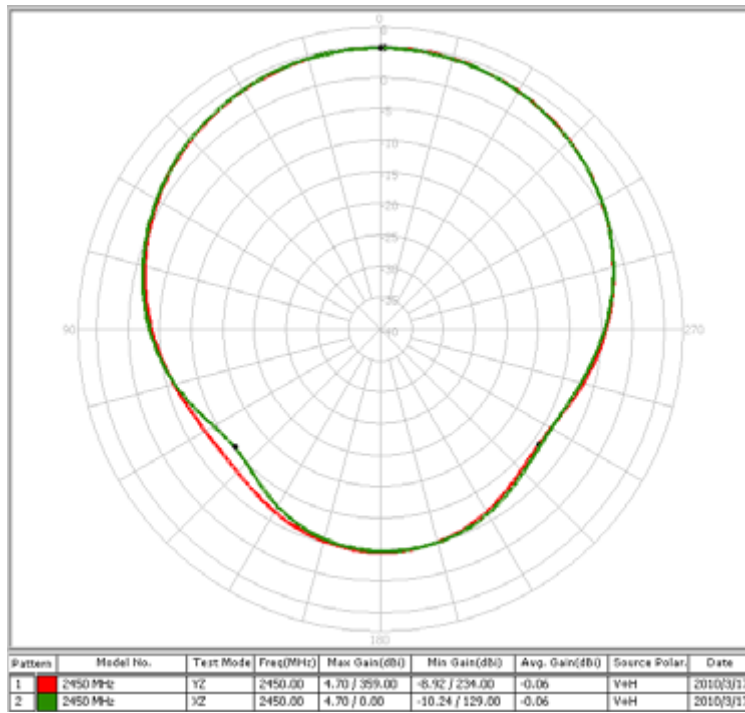
4.3 Antenna Gain



XZ-Plane



YZ-Plane



XY Plane

5.0 Packaging

- Per Tray: 50 pieces
- Per Carton (Inside Box) – 4 Trays = 200 pieces
- Outer Carton (Outside Box)– 4 Cartons = 800 pieces

